

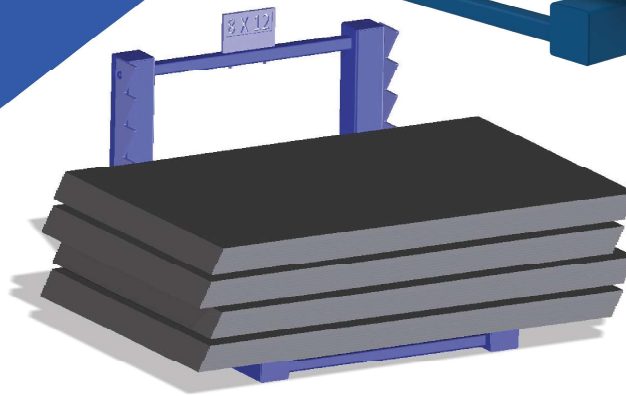
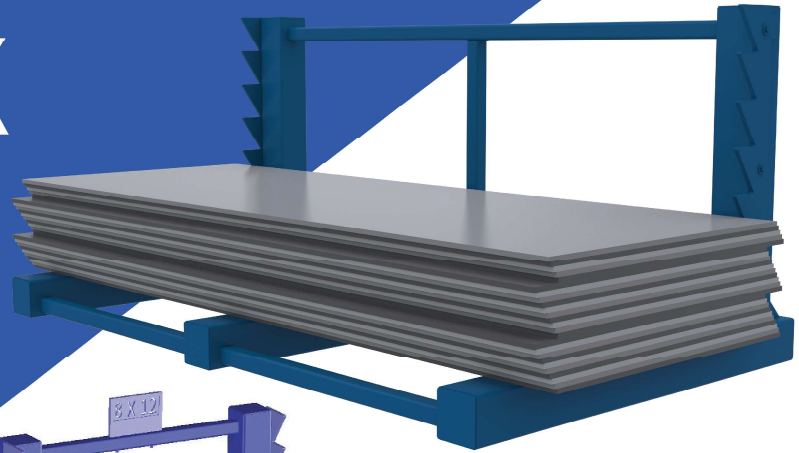


the perfect choice  
for your business

# Road Plate Rack



**EASY ACCESS**  
*for specific  
plate pickup*



## Features

The Auger Rack Road Plate Rack's size is customized to fit your production needs. Each stand's sawtooth backer plate organizes 10 1" plates of steel for a total of 70 plates per stand. Made from carbon steel and finished with rollercoaster paint (aliphatic urethane).

### Interested in customization?

Auger Rack can create a solution to meet your needs.  
Email [trench@AugerRack.com](mailto:trench@AugerRack.com)



### 70" sawtooth backer plate easy to fork off a single plate

provides easy access of steel plate pick up specialized to the size you need



### strategic anchor holes

Used for anchoring the fixture in the yard



### longer product life

provides size changes allowing you to update, upgrade and replace the sawtooth backer plates as needed

“ Auger Rack has designed custom solutions improving our workflow ”

- Executive VP  
HHI Corporation



## Available Sizes

### TD-RPR S-S

Typically handles 4-6' x 4-6' plates

Width: 3'9"

Depth: 6'2"

Height: 6'8"

### TD-RPR M-S

Typically handles 8-14' x 4-6' plates

Width: 7'9"

Depth: 6'2"

Height: 6'8"

### TD-RPR M-L

Typically handles 8-14' x 7-10' plates

Width: 7'9"

Depth: 8'8"

Height: 6'8"

### TD-RPR L-S

Typically handles 15-25' x 4-6' plates

Width: 14'9"

Depth: 6'2"

Height: 6'8"

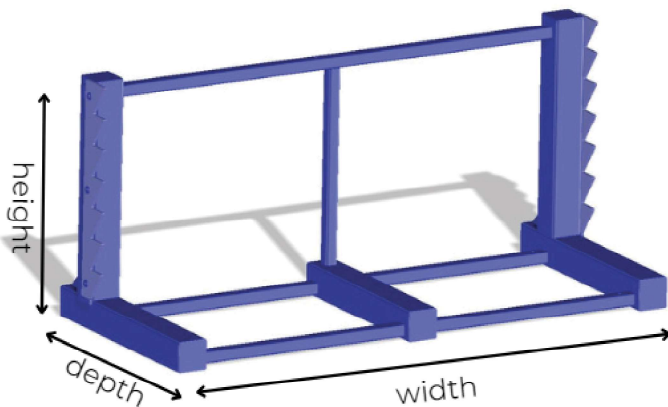
### TD-RPR L-L

Typically handles 15-25' x 7-10' plates

Width: 14'9"

Depth: 8'8"

Height: 6'8"



contact us

**AUGER**  
**RACK**

2760 Wadman Drive  
Ogden, UT 84401, USA  
801-514-0606  
trench@AugerRack.com  
augerrack.com