

AH4000 SERIES 180mm chart MULTI-POINT TYPE HYBRID MEMORY RECORDER



AH4000 series is a hybrid recorder which employs bright and clear, easy to view LCD display. Measuring value display is prepared as 1 point display, multi-points simultaneous display and digital display + bar graph display. Various measuring and recording settings can be easily done by front key switch and confirmed by LCD digital display.



FEATURES

●Corresponds to SD card

Equipped with SD card (sold separately) and it can record data, read and write setting value.

●Full multi range

Equipped with DC voltage 10 kinds, T/C 36 kinds, RTD 12 kinds, in total 58 kinds. Easily set the range per channels.

●Easy data management by communication interface

Provided with USB port and connect with PC directly. RS232C, RS422A, RS485 and Ethernet communication interface is optionally prepared. When Ethernet is selected, settings from the web and E-mail alarm notification are added.

●Package Software attached.

By Data acquisition software, the use of application expands from recording/management to information processing.

*Optional communication interface required.

Data analysis software can replay display, wave process, editing and trend display.

Parameter setting software can manage the setting information on PC.

●Standard alarm display/ Printing function

Set 4 types of alarm per each input points. When alarm occurs, status display "ALM" flashes and measuring value flashes at LCD operation screen.

●Chart end detection function available

Can set the alarm operation when chart end is detected.

●Various programming function

Process the measured data by programming setting and displayed/recorded data of each channels are shown as programmed result data.

MODELS

AH47□□-□□□-NNN

Input point

- 06 : 6 points
- 12 : 12 points
- 24 : 24 points

Communication interface (option)

- N : None
- E : Ethernet (Std. for US Spec)
- R : RS232C
- A : RS422A/RS485
- Q : RS232C+RS485
- C : RS422A/RS485+RS485
- G : Ethernet + RS422A/RS485 +RS485

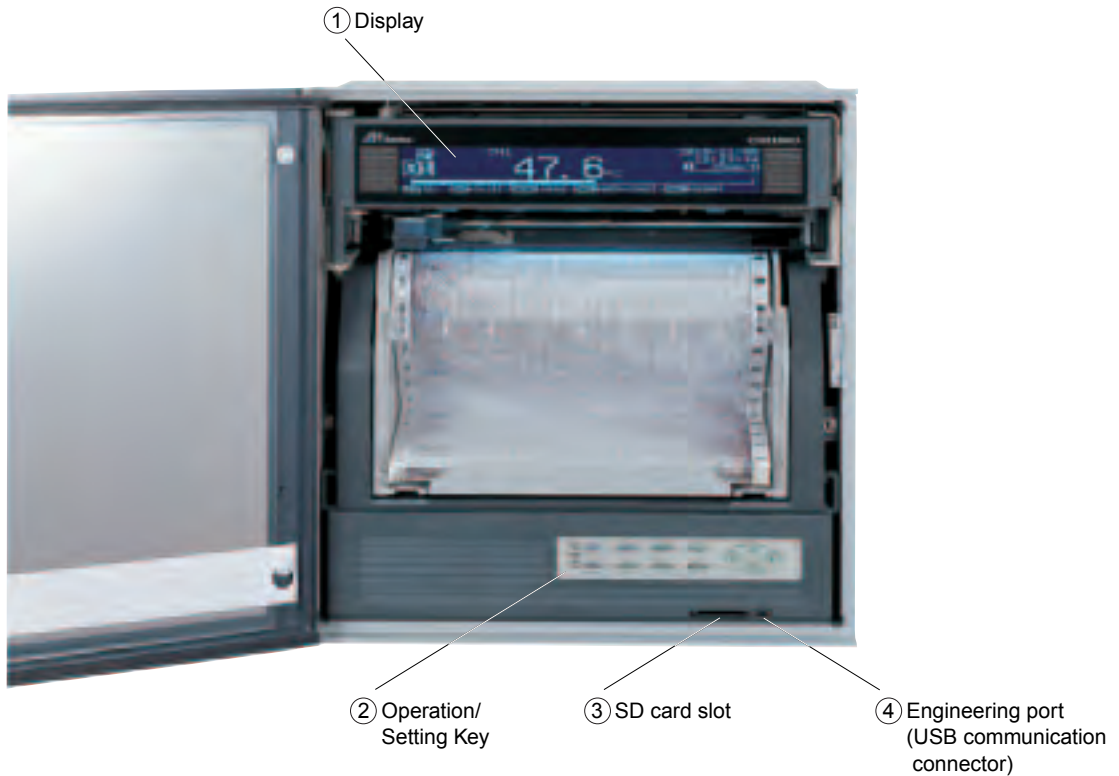
Alarm output / remote contacts (option)

- 0 : None
- 2 : Mechanical relay 2 points ('a' contact)
- 4 : Mechanical relay 4 points ('c' contact) + remote contact 5 points
- A : Mechanical relay 6 points ('a' contact) + remote contact 5 points
- 8 : Mechanical relay 8 points ('c' contact) + remote contact 10 points
- B : Mechanical relay 12 points ('a' contact) + remote contact 10 points
- F : Mechanical relay 16 points ('c' contact) + remote contact 20 points
- D : Mechanical relay 24 points ('a' contact) + remote contact 20 points

Power supply

- A : 100-240V AC

■ NAME



1. Graphic LCD display

Display measured data by digital display and analog indication by bar graph display.

● 1 point display



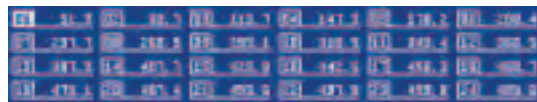
● 1 point display + bar graph display



● 6 points simultaneous display



● 24 points simultaneous display



2. Front key switch

Setting contents can be easily registered by front key switch.



Press (Menu) key and menu screen (list of setting items) will be displayed to graphic LCD.



3. SD card slot

Save measured data to SD card by designated interval (Fastest 12 points: 2 sec). Also, register measuring / recording condition such as range, scale, chart speed and when required, setup the unit by registered conditions.

4. Engineering port at the front

Connect with PC by mini-USB cable*. By attached setting software, you can set or change the parameter by PC.
*Purchase commercialized product separately.

5. White LED chart illumination

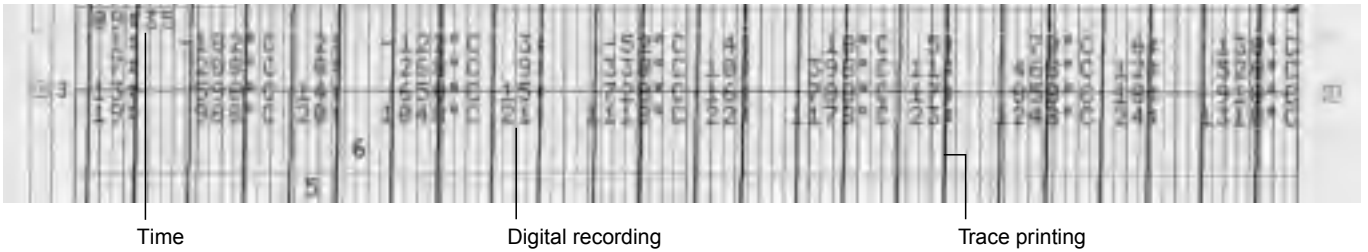
Set ON/OFF/AUTO (OFF after no operation for 3 minutes).



RECORDING EXAMPLE

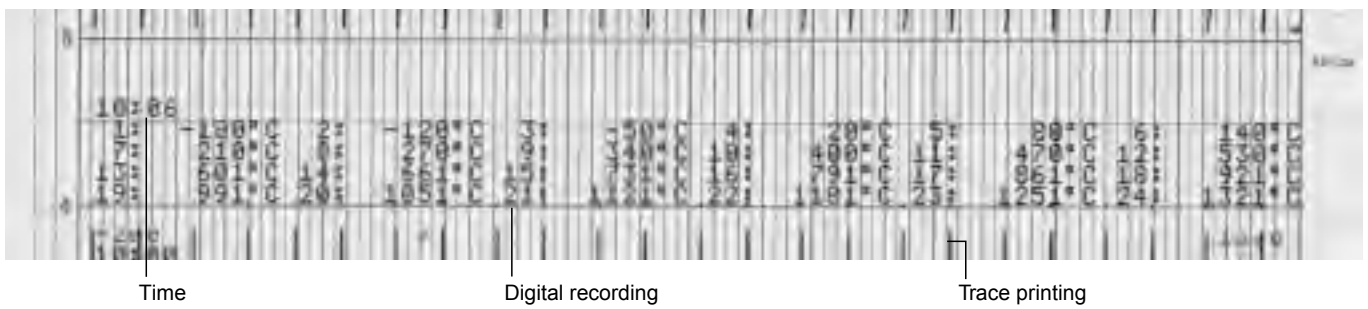
Periodic data printing

Record the data with time, scale, chart speed, setting change mark and time line over trace printing by arbitrary interval.



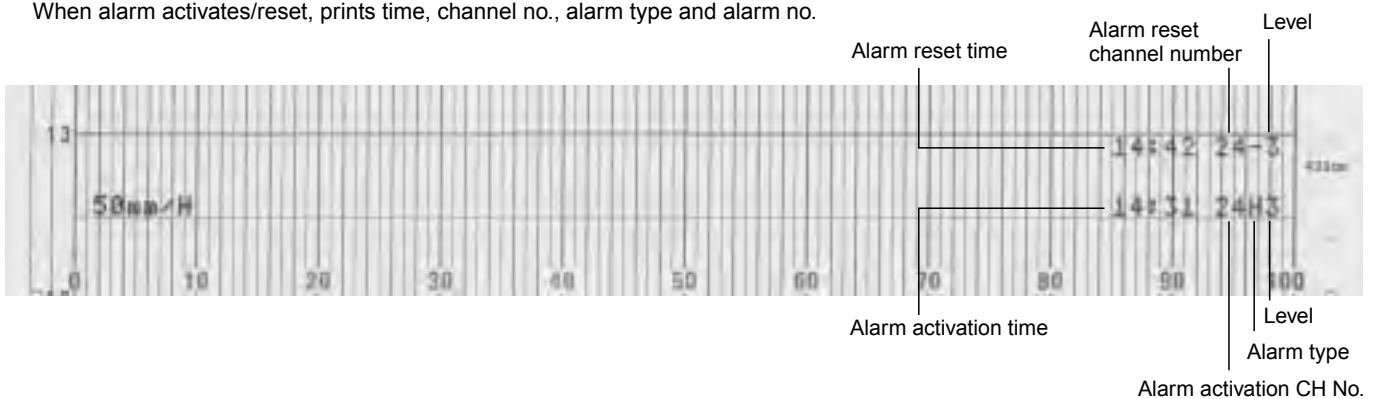
Data print

When the latest data is required, trace printing will stop and recorded.



Alarm activation and reset printing

When alarm activates/reset, prints time, channel no., alarm type and alarm no.



AH4000 SERIES

INPUT SPECIFICATIONS

Measuring points: 6, 12, 24
 Input types: DC voltage --- $\pm 13.8\text{mV}$, $\pm 27.6\text{mV}$, $\pm 69.0\text{mV}$,
 $\pm 200\text{mV}$, $\pm 500\text{mV}$, $\pm 1\text{V}$,
 $\pm 5\text{V}$, $\pm 10\text{V}$, $\pm 20\text{V}$, $\pm 50\text{V}$
 DC current --- Max 50mA by external shunt resistor
 (100 Ω , 250 Ω) (sold separately)
 Thermocouple ---
 K, E, J, T, R, S, B, N, U, L,
 W-WRe26, WRe5-WRe26,
 PtRh40-PtRh20, NiMo-Ni,
 CR-AuFe, Platinel II, Au/Pt
 Resistance thermometer ---
 Pt100, old Pt100, JPt100, Pt50,
 Pt-Co
 Accuracy ratings: Refer to the table of measuring range/accuracy ratings/display resolution
 Measuring interval: 1 second/ 6 points, 2 seconds/ 12 points, 2 seconds/ 24 points
 Input resolution: About 1/40,000 or better (converted to reference range)
 Reference junction compensation accuracy:
 At ambient temperature: $23^{\circ}\text{C} \pm 10^{\circ}\text{C}$
 K, E, J, T, N Platinel II ---
 $\pm 0.5^{\circ}\text{C}$ or EMF 20 μV , whichever greater
 Other than above ---
 $\pm 1.0^{\circ}\text{C}$ or EMF 40 μV , whichever greater
 Burnout: Burnout detection function for thermocouple input and RTD input. Upper burnout, lower burnout or burnout disabled is selectable for each input.
 Maximum common mode voltage: 30V AC/60V DC
 Common mode rejection ratio: 130dB or more (50/60Hz)
 Normal mode rejection ratio: 50dB or more (50/60Hz)
 Terminal board: Removable when wiring.

DISPLAY SPECIFICATIONS

Analog display: LCD bar graph 180mm
 Digital display: Monographic type LCD (Backlight AUTO / Always ON settable)
 Dots : 264 x 48 dots
 Display area : 184 x 22mm
 Display item: All channels simultaneous display, year/month/day, hour/minute, alarm activate channel, chart speed display of measuring value.
 Status display: REC, CARD, ALM

ALARM DISPLAY

Alarm display: Status display "ALM" flash, measuring value flash at operation screen
 Alarm types: Absolute alarm, differential alarm, rate-of-change alarm, FAIL, calendar timer, chart end.
 Alarm settings: Individual settings. Max 4 levels/channel
 Alarm output: Mechanical relay 2, 6, 12, 24 points ('a' contact)
 Mechanical relay 4, 8, 16 points ('c' contact)

STANDARDS (CONFORMITY PENDING)

CE marking: EN61326-1
 EN61010-1
 *Under EMC test condition, variation in indication value is $\pm 20\%$ or $\pm 2\text{mV}$ at maximum, whichever is larger.
 UL: UL61010-1 2nd edition
 CSA (C-UL): CAN/CSA C22.2 No.61010-1-04
 Protection: IEC 60529 IP54

RECORDING SPECIFICATIONS

Dotting interval: 5 seconds/point, 2.5 seconds/point
 Interlock to chart speed
 Recording method: Wire-dot type 6-color ribbon
 Record/Printed color:

Trace printing (default colors)

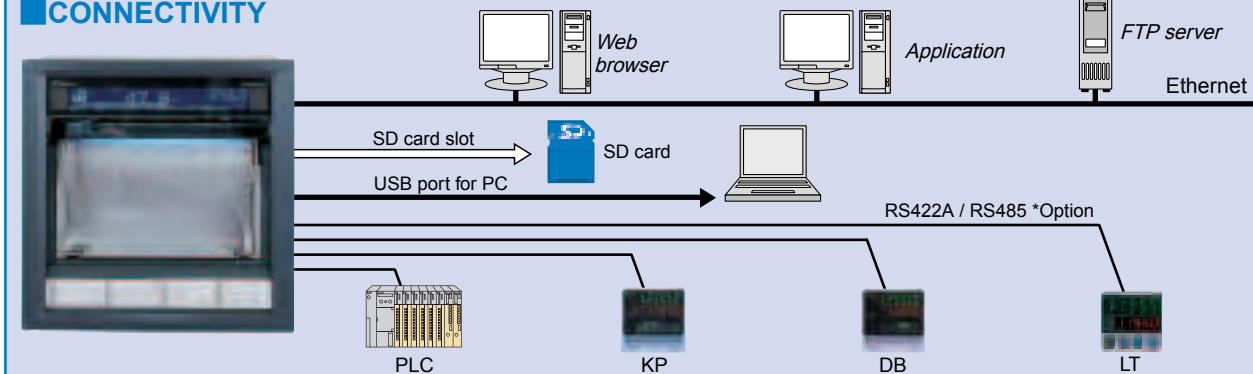
Channel no.	1, 7 13, 19	2, 8 14, 21	3, 9 15, 21
Color	Red	Black	Blue
Channel no.	4, 10 16, 22	5, 11 17, 23	6, 12 18, 24
Color	Green	Brown	Purple

Digital recording

Periodic data printing	Repetition of red, black, blue, green, brown and purple
Alarm printing	Activate: Red, Reset: Green
List printing	Black (channel each items color are same as trace printing color)

Chart paper: Fan-fold type
 Total width 200mm, total length 20m, effective chart width 180mm
 Chart speed: 1 to 1500mm / h, in 1mm/h increments (12.5mm / h can be set exceptionally)
 Periodic data printing: Digital printing is added to trace printing at month / day, time, channel no., data, unit Interval (hour/time) arbitrary setting.
 Data printing: When required, interrupt trace printing and digital print time and measuring value.
 Alarm printing: Alarm activated --- Time, channel no., alarm type and level
 Alarm reset --- Time, channel no., alarm level
 Memory capacity --- Max. 48 data
 List printing: When required, interrupt trace printing and print date, chart speed and setting information of each channel.
 Message printing: Print when required
 Up to 15 characters/message, register up to 20 characters.
 ON/OFF of display and recording: Select ON / OFF of display per each channel, trace recording to chart, digital recording to chart, recording to SD card
 Subtract printing: Record difference between reference channel and measuring value or between reference value (set value) and measuring value.
 Zone printing: 2 / 3 / 4 divisions
 Compressed/Expanded printing: Range limit is made non-linear and specific chart recording lower/upper limit is shrunk or expanded.
 Automatic range shift printing: Recording range is shifted automatically to another set range when measured value exceeds the current range. Overlap function available.
 Skip function: No display or printing of channels of which ranges are not set.

CONNECTIVITY



GENERAL SPECIFICATIONS

Rated power voltage:
100 to 240VAC, 50/60Hz

Maximum power consumption:
Max 65VA
100V AC balanced: 22VA,
240V AC balanced: 31VA

Normal operation condition:
Ambient temperature range:
0 to 50°C (20 to 65%)
Ambient humidity range:
20 to 80%RH (5 to 40°C)
Power voltage:90 to 264V AC
Power frequency:50/60Hz ±2%
Attitude: forward tilting 0°,
backward tilting 0 to 30°, left/right 0 to 10°

Case material: Door --- Aluminum die-casting
Front panel --- Glass
Case --- Cold-rolled steel plate

Case color: Door--- Black (equivalent of Munsell N3.0)
Glass--- Clear and colorless
Case --- Gray (equivalent of Munsell N7.0)

Mounting: Panel mounting
Weight: About 7.6kg
Terminal screw: Power terminal,
Protective conductor terminal --- M4.0
Measuring input terminal, alarm output terminal
Remote contact terminal --- M3.5
Communication terminal --- M3.0

OPTIONS

Remote contact: By external relay contact signal
(digital contact: short or open), you can select
chart speed or data printing
Input points: 5 points, 10 points, 20 points
Input signal: Digital contact signal or open
collector signal
Exterior output: 5V DC/2mA
Function: 1. Record start/stop
2. Chart speed 3-speed switch
3. Data printing
4. List printing
5. Message printing
6. Operation record
(Record ON/OFF condition to the
designate location by bar line)
7. Integration/F value reset
8. Memory card (record start/stop)
9. Alarm output rest
10. Time correction

Alarm output: Mechanical relay ('a' contact) 2 points, 6 points,
12 points, 24 points
Max. load 100 to 240VAC 0.2A
30V DC 0.2A
Min. load 5V DC 10mA
Mechanical relay ('c' contact) 4 points, 8 points,
16 points
Max. load 100 to 240VAC 0.2A
30V DC 0.2A
Min. load 5V DC 10mA

Communication interface: RS232C, RS422A, RS485, Ethernet

ACCESSORIES

SD Card	512MB	Model : RZ-SMC512
	1GB	Model : RZ-SMC1G
	2GB	Model : RZ-SMC2G

MEASURING RANGES/ACCURACY RATING/DISPLAY RESOLUTION

	Input type	Measuring range	Reference range	Accuracy ratings	Display resolution	
DC voltage	mV	-13.8 to 13.8mV	±13.8mV	±0.1% ±1digit	10μV	
		-27.6 to 27.6mV	±27.6mV		10μV	
		-69.0 to 69.0mV	±69.0mV		10μV	
		-200 to 200mV	±200mV		100μV	
		-500 to 500mV	±500mV		100μV	
	V	-1 to 1V	± 1V		10mV	
		-5 to 5V	± 5V		10mV	
		-10 to 10V	± 10V		10mV	
		-20 to 20V	± 20V		10mV	
		-50 to 50V	± 50V		10mV	
Thermocouple	K	-200 to 300°C	±13.8mV	±0.1% ±1digit	0.1°C	
		-200 to 600°C	±27.6mV		0.1°C	
		-200 to 1370°C	±69.0mV		1 °C	
	E	-200 to 200°C	±13.8mV		0.1°C	
		-200 to 350°C	±27.6mV		0.1°C	
		-200 to 900°C	±69.0mV		1 °C	
	J	-200 to 250°C	±13.8mV		0.1°C	
		-200 to 500°C	±27.6mV		0.1°C	
		-200 to 1200°C	±69.0mV		1 °C	
	T	-200 to 250°C	±13.8mV		0.1°C	
		-200 to 400°C	±27.6mV		0.1°C	
	R	0 to 1200°C	±13.8mV		1 °C	
		0 to 1760°C	±27.6mV		1 °C	
	S	0 to 1300°C	±13.8mV		1 °C	
		0 to 1760°C	±27.6mV		1 °C	
	B	0 to 1820°C	±13.8mV		1 °C	
	N	-200 to 400°C	±13.8mV		0.1°C	
		-200 to 750°C	±27.6mV		0.1°C	
		-200 to 1300°C	±69.0mV		1 °C	
	U	-200 to 250°C	±13.8mV		0.1°C	
		-200 to 500°C	±27.6mV		0.1°C	
		-200 to 600°C	±69.0mV		0.1°C	
	L	-200 to 250°C	±13.8mV		0.1°C	
		-200 to 500°C	±27.6mV		0.1°C	
		-200 to 900°C	±69.0mV		1 °C	
	W-WRe26	0 to 2315°C	±69.0mV		1 °C	
	WRe5-WRe26	0 to 2315°C	±69.0mV		1 °C	
NiMo-Ni	0 to 290°C	±13.8mV	0.1°C			
	0 to 600°C	±27.6mV	0.1°C			
Platinel II	0 to 1310°C	±69.0mV	1 °C			
	0 to 350°C	±13.8mV	0.1°C			
	0 to 650°C	±27.6mV	0.1°C			
PtRh40-PtRh20	0 to 1390°C	±69.0mV	1 °C			
	0 to 1880°C	±13.8mV	±0.2% ±1digit			
	0 to 280 K	±6.9mV	0.1 K			
CR-AuFe	0 to 1000°C	±27.6mV	0.1°C			
Au/Pt						
RTD	Pt100	-140 to 150°C	160Ω	±0.1% ±1digit	0.1°C	
		-200 to 300°C	220Ω		0.1°C	
		-200 to 649°C	340Ω		0.1°C	
		-200 to 850°C	400Ω		0.1°C	
	Old Pt100	-140 to 150°C	160Ω		0.1°C	
		-200 to 300°C	220Ω		0.1°C	
		-200 to 649°C	340Ω		0.1°C	
	JPt100	-140 to 150°C	160Ω		0.1°C	
		-200 to 300°C	220Ω		0.1°C	
	Pt50	-200 to 649°C	340Ω		0.1°C	
		-200 to 649°C	220Ω		0.1°C	
	Pt-Co	4 to 374K	220Ω		±0.15% ±1digit	0.1 K

Note: The accuracy ratings are converted into the measuring range under reference condition. Thermocouple input does not contain reference junction compensation accuracy.

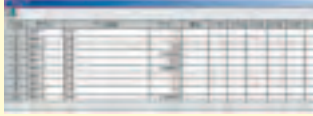
K, E, J, T, R, S, B, N : IEC584(1977, 1982), JIS C 1602-1995, JIS C 1605-1995
W-WRe26, NiMo-Ni, Platinel II, PtRh40-PtRh20, CR-AuFe, Au/Pt : ASTM E1751
WRe5-WRe26 : ASTM E988 U, L : DIN43710-1985
Pt100 : IEC751(1995), JIS C 1604-1997
Old Pt100 : IEC751(1983), JIS C 1604-1989, JIS C 1606-1989
JPt100 : JIS C 1604-1981, JIS C 1606-1986, Pt50 : JIS C 1604-1981 Pt-Co : CHINO

APPLICATION SOFTWARE (standard attached)

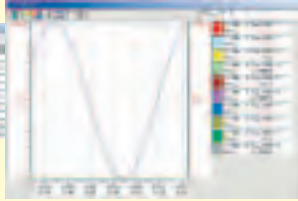
Data Acquisition Software

You can acquire data easily to your PC.

*Optional communication interface required



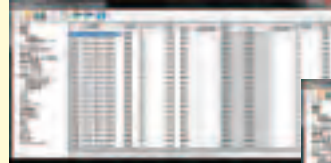
List Data Screen



Trend Data Screen

Parameter Setting Software

Control the setting information at PC by using communication interface or USB port (standard equipped)



Data Analysis Software

Open the binary file recorded in the SD card, replay display and edit the trend of acquired data file.

TERMINAL ARRANGEMENT

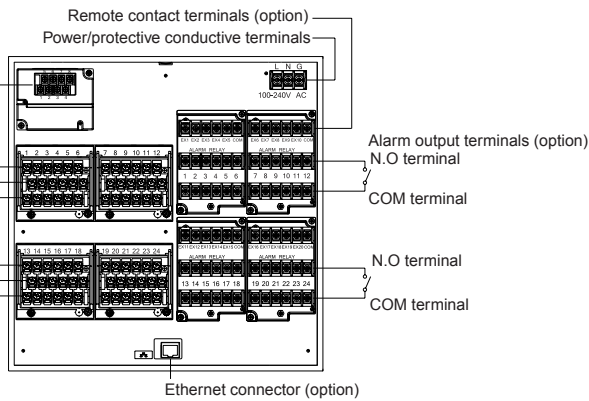
Alarm relay output (24 points 'a' contact) + remote contacts (20 points) and communication interface

Communication terminal * RS232C and RS422A/485 are specified on purchase.

	1	2	3	4	5	6	7	8
COM1	RS232C			SG	SD	RD		
	RS422A			SG	SDA	SDB	RDA	RDB
	RS485			SG	SA	SB	SA	SB
COM2	RS485	SA	SB	SG				

Measurement input terminals
TC-mV(+), RTD(A) terminals
TC-mV(-), RTD(B) terminals
RTD(B) terminals

TC-mV(+), RTD(A) terminals
TC-mV(-), RTD(B) terminals
RTD(B) terminals



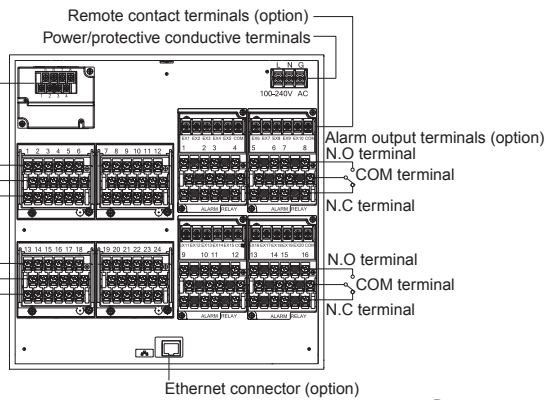
Alarm relay output (16 points 'c' contact) + remote contacts (20 points) and communication interface

Communication terminal * RS232C and RS422A/485 are specified on purchase.

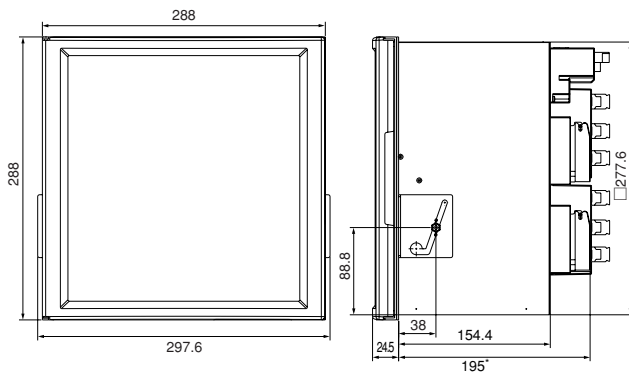
	1	2	3	4	5	6	7	8
COM1	RS232C			SG	SD	RD		
	RS422A			SG	SDA	SDB	RDA	RDB
	RS485			SG	SA	SB	SA	SB
COM2	RS485	SA	SB	SG				

Measurement input terminals
TC-mV(+), RTD(A) terminals
TC-mV(-), RTD(B) terminals
RTD(B) terminals

TC-mV(+), RTD(A) terminals
TC-mV(-), RTD(B) terminals
RTD(B) terminals

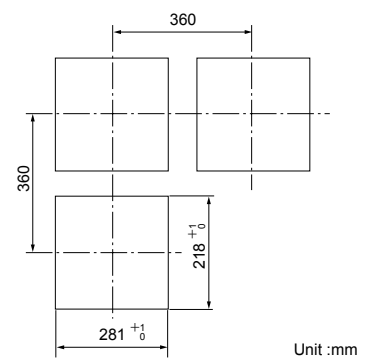


DIMENSIONS



*Max216. When alarm output/remote contacts unit and communication unit are added

Panel cutout



Unit :mm

Specifications subject to change without notice.