

## XT8500EFI

## Commercial/Residential Portable Generator

Model 7247-0 UPC: 696471078336  
(EPA/CARB-50ST)

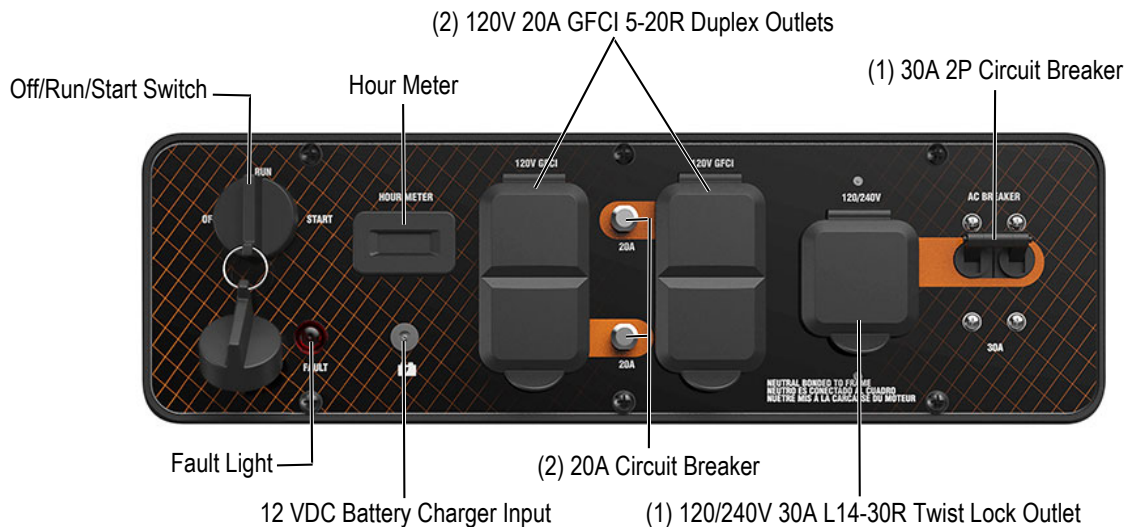
### Features

- **Generac Electronic Fuel Injected (EFI) Engine**
  - **Effortless Startup**, automotive technology allows for easy and reliable starting.
  - **Built for Long-Term Storage**, engineered to reduce bad gas problems during storage.
  - **Responsive Load Pickups**, electronic engine control delivers reliable power.
- **COsense® Technology** STOPS, ALERTS, SAVES. Powerful protection from hazardous carbon monoxide.
- **TruePower™ Technology** provides clean, stable power ideal for sensitive electronics, tools and appliances.
- **Low-oil shutdown** automatically safeguards engine from damage.
- **Hour meter** tracks usage and monitors maintenance cycles.
- **Large-capacity steel fuel tank** with incorporated fuel gauge provides durability and extended run times.
- **Covered outlets** provide added protection from the environment and rugged working conditions.
- **All-terrain, never flat wheels and fold-down locking handle** for reliable portability and compact storage.
- **Controlguard™** provides added protection to the control panel.
- **HomeLink™ Manual Transfer Switch Compatible** designed to work with HomeLink™ manual transfer switches for safe home backup power.



**AC Rated Output Running Watts 8500**  
**AC Maximum Output Starting Watts 10000**

### Control Panel



## XT8500EFI

### Specifications

Model (Configuration)	7247-0 (EPA/CARB - 50ST)
AC Rated Output Running Watts	8500
AC Surge Output Starting Watts	10000
Rated AC Voltage	120/240 VAC
Rated AC Frequency	60 Hz
Rated 120/240 VAC Amperage	70.8/35.4
Total Harmonic Distortion	<5%
Engine Type	Electronic Fuel Injection (EFI)
Engine RPM	3600
Recommended Oil	10W-30 / SAE 30
Oil Capacity qt (L)	1.05 (1.0)
Lubrication Method	Pressure
Automatic Voltage Regulation (AVR)	Yes
Starting Method	Electric Start / Recoil Pull Start
Battery Included	Yes
Battery Type	Lead Acid (12V DC, 9Ah)
Battery Part No.	0G9449

Battery Dimensions	5.94" x 2.56" x 3.70"
Battery Wall Charger Adapter	Included
Low Oil Shutdown	Yes
Neutral Bonded to Ground	Yes
Start Switch Type	Off/Run/Start
Switch Location	On Control Panel
Fuel Gauge	Built-in Tank
Fuel Tank Capacity gal (L)	8.0 (30.3)
Run Time at 50% (Hours)	9.0
Handle Style	Single Folding-Locking
Wheel Type	9.5" Never-flat Wheels
Warranty- Residential	3 Year
Warranty- Commercial	1 Year
Included	Engine oil, oil funnel, wheel and handle kit, Controlguard™ and Owner's Manual

### Dimensions and Weights

Length in (mm)	31.4 (798)
Width in (mm)	20.5 (522)
Height in (mm)	26.5 (674)
Extended Length in (mm)	47 (1194)
Extended Width in (mm)	27.1 (687)
Extended Height in (mm)	28.9 (734)
Carton Length in (mm)	33.4 (850)
Carton Width in (mm)	22 (560)
Carton Height in (mm)	24.8 (630)
Unit Weight lbs (kg)	214 (97)
Shipping Weight lbs (kg)	230 (104.3)

