

# GUDU

# HD-CP02

## 150W

Luminous Efficacy up to 150lm/W, Ra80  
The fixture protection grade is IP65



# GUDU

## Product Features

**Eye protection**

**Energy saving and environmental**

**Long life circuit**

**No flickering**



# GUDU

## Appearance Design

Square size, simplicity and artistic, die-cast material housing, power coating treatment. Good sealing performance, waterproof, easy to install.

## Long life circuit

By using high quality LED chip, long lifetime circuit-54000Hrs, lower maintain cost.

## Energy saving and environmental

High lumens per watt, low energy cost, maximization of energy saving.

## Lumens Efficacy

By using LED chip, very soft light, low glare, reduce the damage to eyes.

# LED DESIGN



## Led Canopy Light HD-CP02-150W

### Specifications

#### Electrical Data

PowerSupply	HTUE
Input Voltage	AC 120-277V
Power Frequency	50/60Hz
Output Voltage	DC 80-130V
Power Efficiency	>92%
Power Factor	0.90
Total Harmonic Distortion	<25%

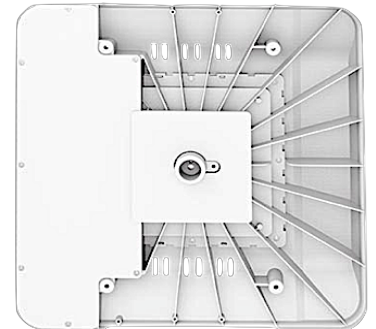
#### Optical Data

<b>Standard Lumen Version</b>	
Wattage	150W
LED Type	SAMSUNG
LED QTY	208PCS
Efficiency	130lm/W
Luminous Flux	19500lm(CCT=5000K)±5%



PowerSupply	HTUE
Input Voltage	AC 120-277V
Power Frequency	50/60Hz
Output Voltage	DC 80-130V
Power Efficiency	>92%
Power Factor	0.90
Total Harmonic Distortion	<25%

<b>High Lumen Version</b>	
Wattage	150W
LED Type	SAMSUNG
LED QTY	208PCS
Efficiency	150lm/W
Luminous Flux	22500lm(CCT=5000K)±5%



PowerSupply	MEAN WELL
Input Voltage	AC 120-277V
Power Frequency	50/60Hz
Output Voltage	DC 24-48V
Power Efficiency	>90%
Power Factor	0.92
Total Harmonic Distortion	<20%

<b>Standard Lumen Version</b>	
Wattage	150W
LED Type	SAMSUNG
LED QTY	364PCS
Efficiency	130lm/W
Luminous Flux	19500lm(CCT=5000K)±5%

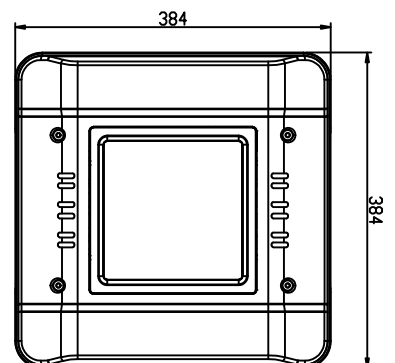


PowerSupply	MEAN WELL
Input Voltage	AC 120-277V
Power Frequency	50/60Hz
Output Voltage	DC 24-48V
Power Efficiency	>90%
Power Factor	0.92
Total Harmonic Distortion	<20%

<b>High Lumen Version</b>	
Wattage	150W
LED Type	SAMSUNG
LED QTY	525PCS
Efficiency	150lm/W
Luminous Flux	22500lm(CCT=5000K)±5%



CCT	3000K/4000K/5000K/5700K
Beam Angle	110°
CRI	>80Ra
System Efficiency	>90%



#### Others

IP	IP65
Lifetime(L70 Standard)	54,000 hours
Heat Radiator	die-cast aluminum
Lens Material	Glass / PC
Carton Dimensions	L425mm*W425mm*H130mm
Gross Weight	5.70kg
Fixture Dimension	L384*W384*H70mm
Net Weight	4.70kg

Application  
Gas Station  
Natural Gas Filling Station  
Warehouse  
Supermarket  
Workshop

GUDDU



## Packing including

- 1.1pcs LED Canopy Light
- 2.1pcs product user manual