

GUDU

HD-CP02

150W

Luminous Efficacy up to 150lm/W, Ra80
The fixture protection grade is IP65



GUDU

Product Features

Eye protection

Energy saving and environmental

Long life circuit

No flickering



GUDU

Appearance Design

Square size, simplicity and artistic, die-cast material housing, power coating treatment. Good sealing performance, waterproof, easy to install.

Long life circuit

By using high quality LED chip, long lifetime circuit-54000Hrs, lower maintain cost.

Energy saving and environmental

High lumens per watt, low energy cost, maximization of energy saving.

Lumens Efficacy

By using LED chip, very soft light, low glare, reduce the damage to eyes.

LED DESIGN



Led Canopy Light HD-CP02-150W

Specifications

Electrical Data

PowerSupply	HTUE
Input Voltage	AC 120-277V
Power Frequency	50/60Hz
Output Voltage	DC 80-130V
Power Efficiency	>92%
Power Factor	0.90
Total Harmonic Distortion	<25%

Optical Data

Standard Lumen Version	
Wattage	150W
LED Type	SAMSUNG
LED QTY	208PCS
Efficiency	120lm/W
Luminous Flux	18000lm(CCT=5000K)±5%

PowerSupply	HTUE
Input Voltage	AC 120-277V
Power Frequency	50/60Hz
Output Voltage	DC 80-130V
Power Efficiency	>92%
Power Factor	0.90
Total Harmonic Distortion	<25%

High Lumen Version	
Wattage	150W
LED Type	SAMSUNG
LED QTY	504PCS
Efficiency	150lm/W
Luminous Flux	22500lm(CCT=5000K)±5%

PowerSupply	MEAN WELL
Input Voltage	AC 120-277V
Power Frequency	50/60Hz
Output Voltage	DC 24-48V
Power Efficiency	>90%
Power Factor	0.92
Total Harmonic Distortion	<20%

Standard Lumen Version	
Wattage	150W
LED Type	SAMSUNG
LED QTY	364PCS
Efficiency	130lm/W
Luminous Flux	19500lm(CCT=5000K)±5%

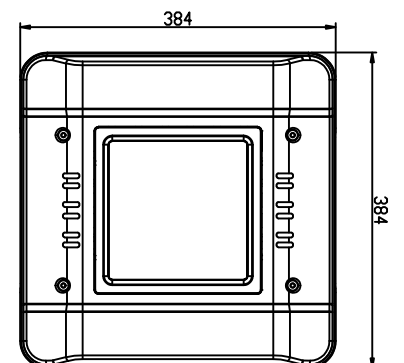
PowerSupply	MEAN WELL
Input Voltage	AC 120-277V
Power Frequency	50/60Hz
Output Voltage	DC 24-48V
Power Efficiency	>90%
Power Factor	0.92
Total Harmonic Distortion	<20%

High Lumen Version	
Wattage	150W
LED Type	SAMSUNG
LED QTY	525PCS
Efficiency	150lm/W
Luminous Flux	22500lm(CCT=5000K)±5%

CCT	3000K/4000K/5000K/5700K
Beam Angle	110°
CRI	>80Ra
System Efficiency	>90%

Others

IP	IP65
Lifetime(L70 Standard)	54,000 hours
Heat Radiator	die-cast aluminum
Lens Material	Glass / PC
Carton Dimensions	L425mm*W425mm*H130mm
Gross Weight	5.70kg
Fixture Dimension	L384*W384*H70mm
Net Weight	4.70kg



Application

Gas station
Natural gas filling station
Warehouse
Supermarket
Workshop

GUDU



Packing including

1.1pcs LED Canopy Light
2.1pcs product user manual