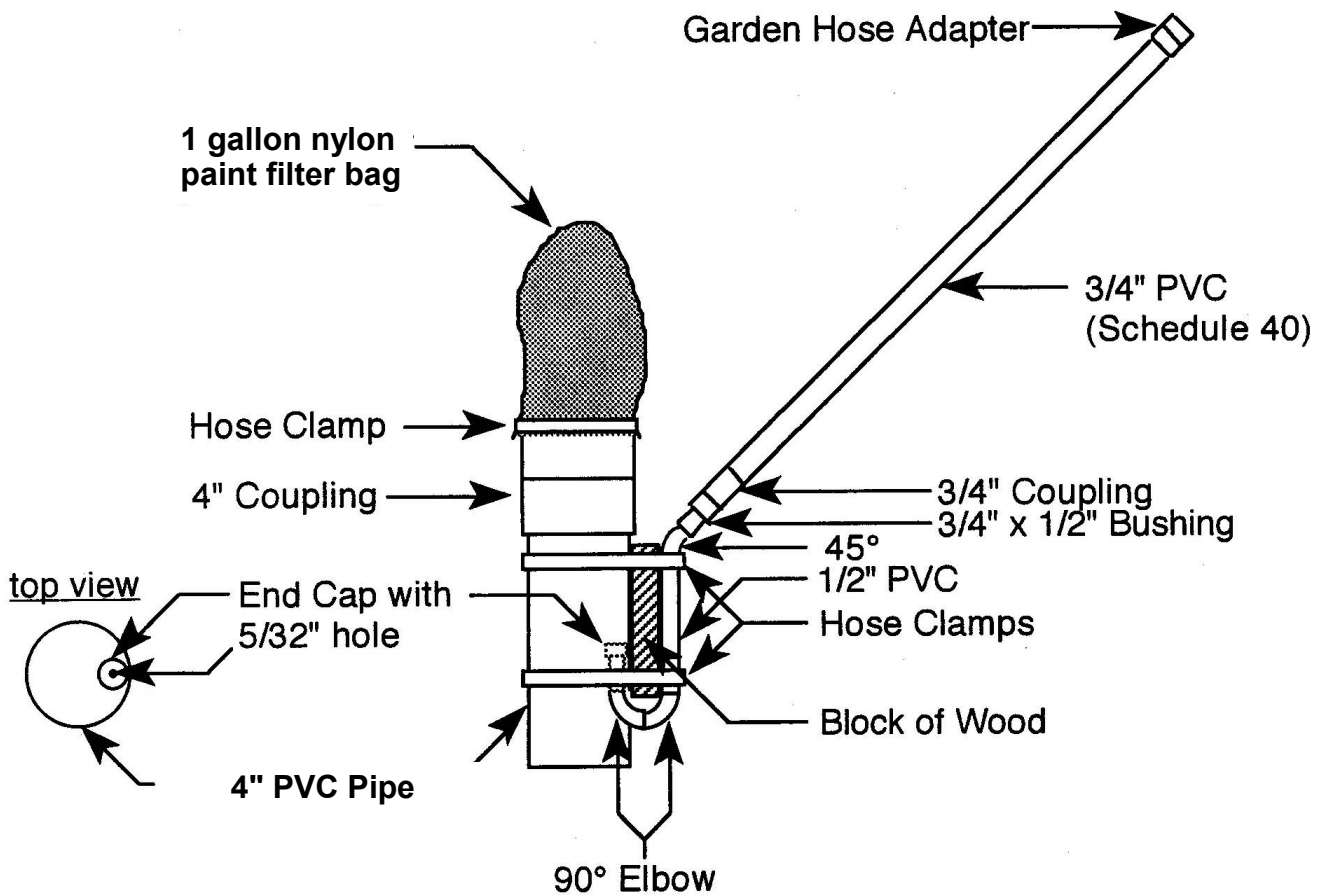




## POND VACUUM



This pond vacuum does an excellent job of sucking up leaves and other vegetation from the bottom of your pond. The bottom end of the 4" pipe is open to allow debris to be pulled into the pipe and then into the nylon paint filter bag by the force of the water rushing out of the 5/32" hole. The coupling and filter bag assembly is just pushed onto the 4" pipe. When you are done vacuuming, pull off the coupling and rinse out the filter bag. All other PVC fittings are glued together.