

KD1 Series

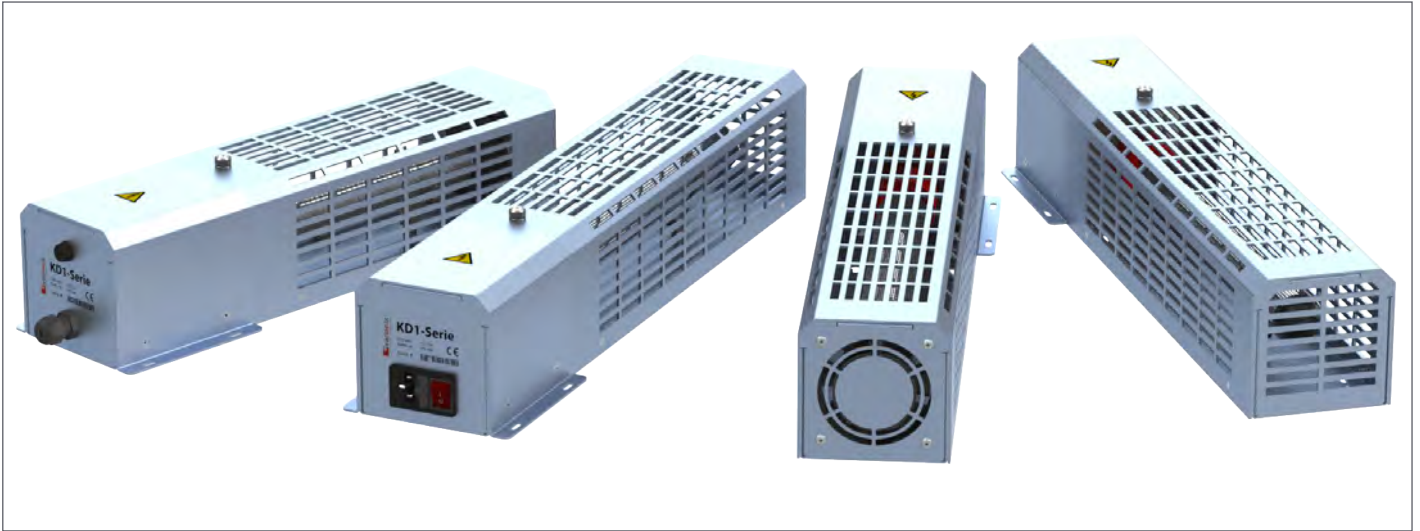
Air Freshening



Air Disinfection



Odor Elimination



Overview

Applications are air freshening, air disinfection and odor elimination for industrial, commercial and home use.

Industrial areas such as food, chemicals, pharmaceuticals, agriculture, paints and varnishes, solvents, medicine, hospitals, waste disposal, waste water treatment and many more.

The KD1 Series are intended to be mounted on walls or ceilings and allow easy maintenance access to the ionization-tube.

The housing is made of robust anodised aluminum, which is durable and easy to clean.

All units are equipped from the factory with one bi-polar ionization tube from the Bentax® VT Series.

Available in different sizes and versions to meet your requirements.

Versions with built-in fan for improved discharge of ions to the natural convection of ambient air are available.

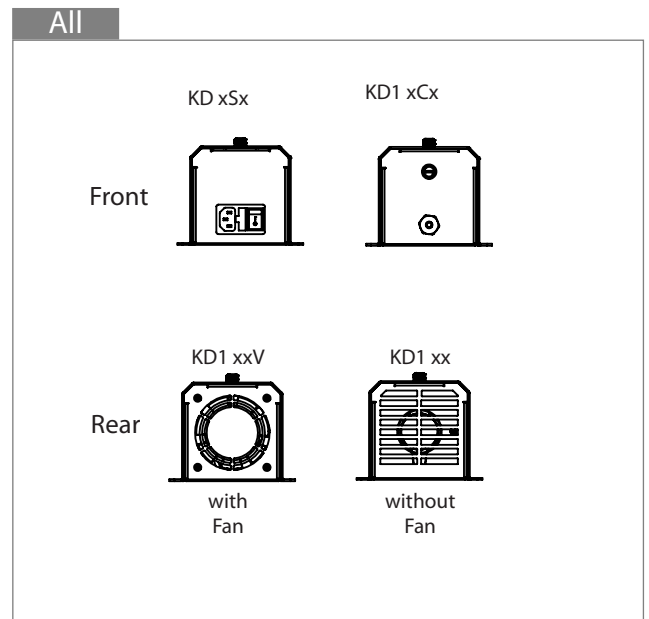
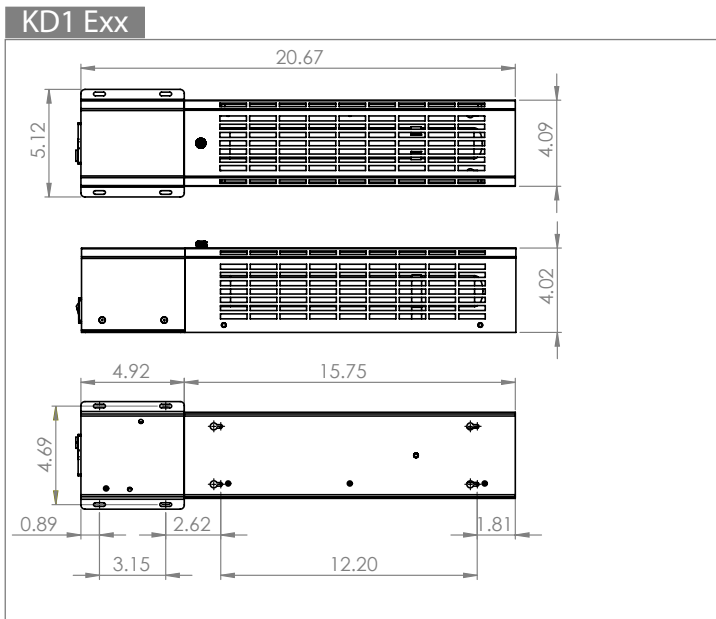
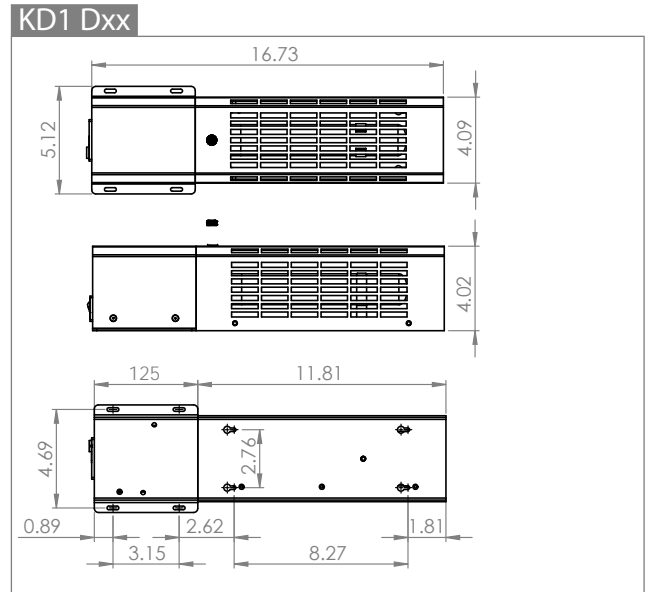
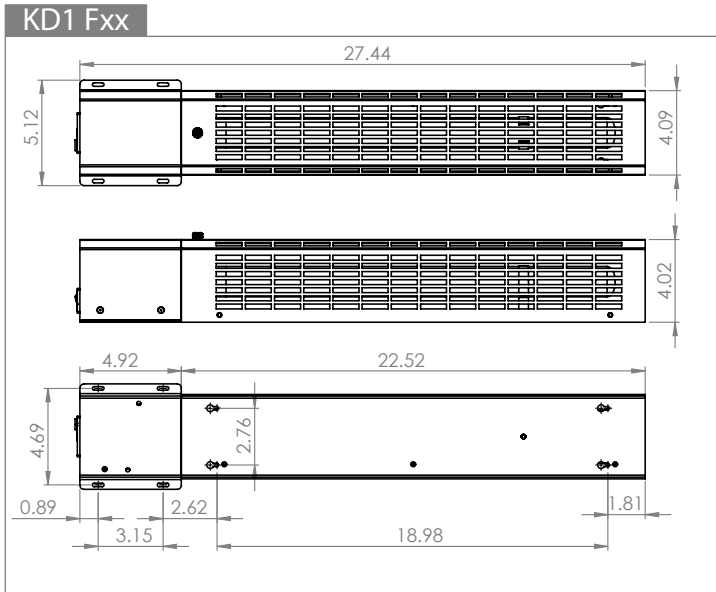
The system can be ordered with an C14 power-socket (IEC 60320-1) with illuminated switch, fusebox and NEMA 1-15 powercord or alternatively with a fusebox and a power cable (3 poles) with pre-stripped and thinned wire-ends.

Specifications

Without Fan	KD1 FS KD1 FC	KD1 ES KD1 EC	KD1 DS KD1 DC
Voltage	120VAC ± 10% 50/60Hz		
Power Consumption	5.2 W	3.2 W	2.6 W
Bentax® Bi-polar tube type	VTU-F	VTU-E	VTU-D
Room Size *)	2,000 ft ²	1500 ft ²	900 ft ²
Length (in)	27.44	22.52	16.73
Height (in)	4.02		
Depth (in)	4.09		
Weight (lb)	4.40	3.97	3.53
With Fan	KD1 FSV KD1 FCV	KD1 ESV KD1 ECV	KD1 DSV KD1 DCV
Voltage	120V ± 10% 50/60Hz		
Power Consumption	20.7 W	18.7 W	18.1 W
Bentax® Bi-polar tube tpe	VTU-F	VTU-E	VTU-D
Room Size *)	2500 ft ²	1,900 ft ²	1,100 ft ²
Length (in)	27.44	22.52	16.73
Height (in)	4.02		
Depth (in)	4.09		
Weight (in)	4.60	4.17	5.73
*) Average room volume, depending on air quality, air distribution, and air exchange rate.			

KD1 Series

Dimensions (in)



Order Information

Type	Socket C14	Fan	Order-Number *)
KD1 FS	✓		11-33-10-10-01
KD1 ES	✓		11-33-11-10-01
KD1 DS	✓		11-33-12-10-01
KD1 FSV	✓	✓	11-33-10-10-02
KD1 ESV	✓	✓	11-33-11-10-02
KD1 DSV	✓	✓	11-33-12-10-02

Type	Cable 3 poles	Fan	Order-Number *)
KD1 FC	✓		11-33-10-11-01
KD1 EC	✓		11-33-11-11-01
KD1 DC	✓		11-33-12-11-01
KD1 FCV	✓	✓	11-33-10-11-02
KD1 ECV	✓	✓	11-33-11-11-02
KD1 DCV	✓	✓	11-33-12-11-02

*) Factory equipped standard tube is an VTU type. For an up-charge, you can order an VTUX tube instead, just add /X after the order-number