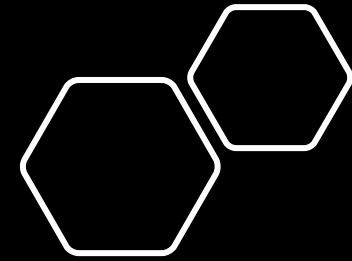


# BOWDEN

Machine Shop Capabilities – 2023

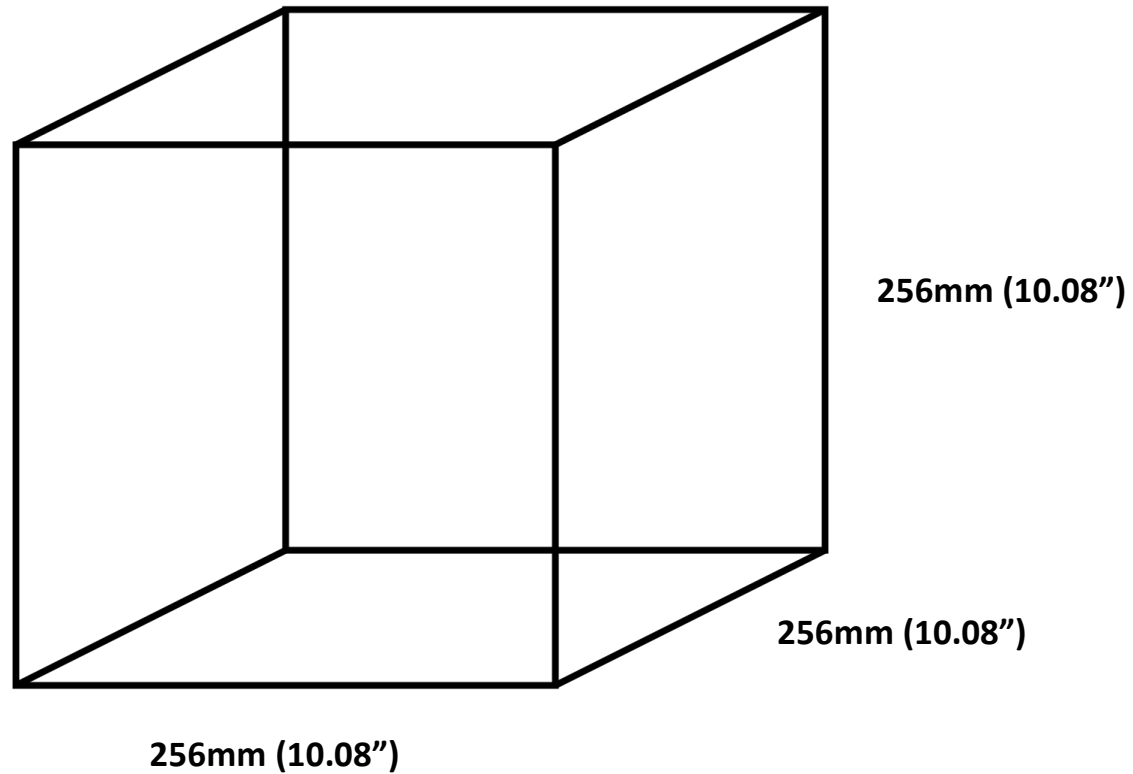


PRODUCTION GRADE 3D PRINTING

# BOWDEN

## Printable Part Size (Maximum)

- All materials except TPU
- TPU (5"x5"x5")



# BOWDEN

## 3D Printers In Shop

- Bambu Lab X1 Carbon
- Creality Ender 3 Modified



**Bambu Lab**

**CREALITY**

# BOWDEN

## Printing Capabilities

- Bambu Lab X1 Carbon
  - Fast printing (500 mm/s)
  - Lidar resolution
  - Vibration Compensation
  - AI-Powered auto detection
- Creality Ender 3 Modified
  - Modified and tuned to print TPU (Flexible prints)

# BOWDEN

## Printing Capabilities

- Precision printing
  - 0.2mm, 0.4mm and 0.6mm nozzles for precise prints, regardless of the size
  - Printing perimeter tolerance of  $\pm 0.025''$
- Treated filament to ensure bubble free prints
- Numerous printable materials:
  - ABS, ASA, PA6 Carbon Fiber, PAHT Carbon Fiber, PETG, PETG Carbon Fiber, PLA Basic, PLA Carbon Fiber, PLA Matte, PLA Reinforced, TPU