

### SPECIFICATIONS

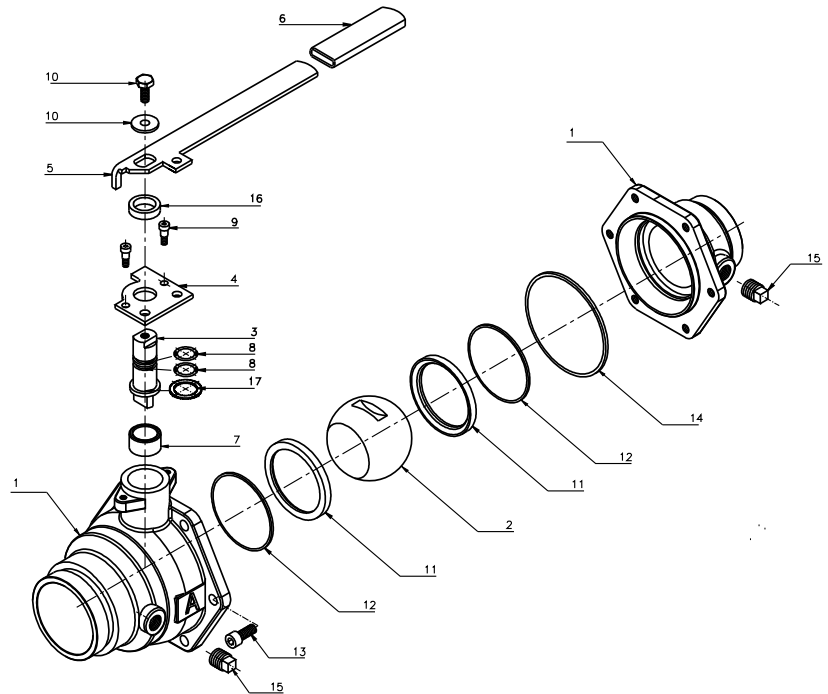
- Certified to meet the requirements of NSF/ANSI 61 and NSF/ANSI 372
- PFA\*- Fused solid ball
- Double tapped and plugged bosses allow for venting or draining downstream, or test port for backflow preventer
- Full port in all sizes
- Class VI positive shutoff
- 100% Lead-free
- Low torque
- Ideal for liquid, air, and backflow applications

### RATING

- 200 W @ 200° F



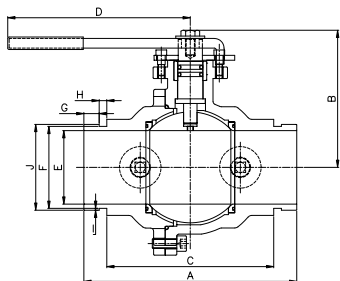
	Part	Material
1	Body	Cast Iron/ASTM A126 Class B
2	Ball	Cast Iron/PFA* Fused ASTM A48 Class-35
3	Stem	Stainless Steel
4	Stop Plate	Steel
5	Handle	Steel
6	Handle Grip	Vinyl Dipped Plastisol
7	Sleeve	Stainless Steel
8	Stem O-Ring	Nitrile Rubber (Buna-N)
9	Shoulder Screw	Steel
10	Stem Bolt/Washer	Steel
11	Seat	Virgin PTFE
12	Back Seat O-Ring	Nitrile Rubber (Buna-N)
13	Socket Head Screw	Steel
14	Body Gasket	Nitrile Rubber (Buna-N)
15	Body Plug	2" - 4": Steel 6": Cast Iron
16	Collar	Steel
17	Thrust Washer	PTFE
18	Body Cap	Cast Iron/A48 Class 30



\*PFA is an ingredient commonly branded as Teflon®

### DIMENSIONS

	2"	2½"	3"	4"	6"
A End to End	7.80"	8.64"	8.68"	9.90"	12.56"
B Center of Port to Top	4.37"	5.31"	5.59"	6.34"	8.31"
C Face to Face	5.80"	6.77"	6.81"	7.90"	10.56"
D Center of Valve to Handle End	9.29"	9.76"	9.76"	10.67"	16.79"
E Port Diameter	2.00"	2.50"	3.00"	4.00"	6.00"
F Groove Diameter	2.24"	2.72"	3.34"	4.33"	6.45"
G Gasket Seat	0.63"	0.63"	0.63"	0.63"	0.63"
H Groove Width	0.31"	0.31"	0.31"	0.37"	0.38"
I Groove Depth	0.06"	0.08"	0.08"	0.08"	0.09"
J Grooved End OD	2.37"	2.87"	3.50"	4.5"	6.63"
Weight (lbs.)	12 lbs.	19 lbs.	26 lbs.	45 lbs	105 lbs
Pallet Quantity	60 pieces	60 pieces	48 pieces	24 pieces	12 pieces



PROJECT:	SUBMITTED BY: