

# LED Area Light Fixture



## Features & Essential Specs



### Features:

- Field Selectable Wattage & CCT
- Wet Location Rated
- Type III, IV, and V Lensing For Optimal Lighting
- Slim & Durable Housing For Maximum Lifespan
- Sensor & Control Options Available

### Essential Specs:

- Selectable Wattages:  
180W - 72/108/144/180W  
300W - 120/180/240/300W  
400W - 300/320/360/400W
- Selectable CCT's: 3000/4000/5000k
- Input Voltage: 120-277VAC or 347-480VAC

### Applications:

- Commercial Exteriors
- Parking Lots
- Flood Lighting
- Roadways
- Lumen Output: Variable (Shown Below)
- Dimming: 0-10V Dimming
- Mounting: Slipfitter, Yoke, Square-Pole
- Housing: Die-cast Aluminum
- Operating Temp: -40° to 113° F

Additional Detailed Specs On Next Page

# LED Area Light Fixture



## PERFORMANCE DATA

CLS-AL08-180W27VDDKD									
SETTING	SYSTEM WATTS	DIST.TYPE	CRI	3000K		4000K		5000K	
				LUMENS	LPW	LUMENS	LPW	LUMENS	LPW
100%	180W	2	70	24800lm	138 lm/W	27000lm	150 lm/W	25200lm	140 lm/W
		3	70	24800lm	138 lm/W	27000lm	150 lm/W	25200lm	140 lm/W
		4	70	24800lm	138 lm/W	27000lm	150 lm/W	25200lm	140 lm/W
		5	70	25500lm	142 lm/W	28000lm	156 lm/W	26000lm	144 lm/W
80%	144W	2	70	20200lm	140 lm/W	22000lm	153 lm/W	20600lm	143 lm/W
		3	70	20200lm	140 lm/W	22000lm	153 lm/W	20600lm	143 lm/W
		4	70	20200lm	140 lm/W	22000lm	153 lm/W	20600lm	143 lm/W
		5	70	20800lm	144 lm/W	22800lm	158 lm/W	21000lm	146 lm/W
60%	108W	2	70	15300lm	142 lm/W	16800lm	156 lm/W	15700lm	145 lm/W
		3	70	15300lm	142 lm/W	16800lm	156 lm/W	15700lm	145 lm/W
		4	70	15300lm	142 lm/W	16800lm	156 lm/W	15700lm	145 lm/W
		5	70	15800lm	146 lm/W	17300lm	160 lm/W	16200lm	150 lm/W
40%	72W	2	70	10500lm	146 lm/W	11500lm	160 lm/W	10800lm	150 lm/W
		3	70	10500lm	146 lm/W	11500lm	160 lm/W	10800lm	150 lm/W
		4	70	10500lm	146 lm/W	11500lm	160 lm/W	10800lm	150 lm/W
		5	70	10800lm	150 lm/W	11800lm	164 lm/W	11000lm	153 lm/W

CLS-AL08-300W27VDDKD									
SETTING	SYSTEM WATTS	DIST.TYPE	CRI	3000K		4000K		5000K	
				LUMENS	LPW	LUMENS	LPW	LUMENS	LPW
100%	300W	2	70	41000lm	137 lm/W	45000lm	150 lm/W	42000lm	140 lm/W
		3	70	41000lm	137 lm/W	45000lm	150 lm/W	42000lm	140 lm/W
		4	70	41000lm	137 lm/W	45000lm	150 lm/W	42000lm	140 lm/W
		5	70	42500lm	142 lm/W	46000lm	153 lm/W	43500lm	145 lm/W
80%	240W	2	70	33600lm	140 lm/W	37000lm	154 lm/W	34500lm	144 lm/W
		3	70	33600lm	140 lm/W	37000lm	154 lm/W	34500lm	144 lm/W
		4	70	33600lm	140 lm/W	37000lm	154 lm/W	34500lm	144 lm/W
		5	70	34500lm	144 lm/W	38000lm	158 lm/W	35500lm	148 lm/W
60%	180W	2	70	26000lm	144 lm/W	28600lm	159 lm/W	26600lm	148 lm/W
		3	70	26000lm	144 lm/W	28600lm	159 lm/W	26600lm	148 lm/W
		4	70	26000lm	144 lm/W	28600lm	159 lm/W	26600lm	148 lm/W
		5	70	26600lm	148 lm/W	29700lm	165 lm/W	27500lm	153 lm/W
40%	120W	2	70	18000lm	150 lm/W	20000lm	167 lm/W	18500lm	154 lm/W
		3	70	18000lm	150 lm/W	20000lm	167 lm/W	18500lm	154 lm/W
		4	70	18000lm	150 lm/W	20000lm	167 lm/W	18500lm	154 lm/W
		5	70	18500lm	154 lm/W	20800lm	173 lm/W	19000lm	158 lm/W

Additional Detailed Specs On Next Page

# LED Area Light Fixture



## PERFORMANCE DATA

CLS-AL08-400W27VDDKD							
SETTING	SYSTEM WATTS	DIST. TYPE	CRI	4000K		5000K	
				LUMENS	LPW	LUMENS	LPW
LV1	400W	2	70	62500lm	156 lm/W	61500lm	154 lm/W
		3	70	62500lm	156 lm/W	61500lm	154 lm/W
		4	70	62000lm	155 lm/W	61000lm	153 lm/W
		5	70	64000lm	160 lm/W	63000lm	158 lm/W
LV2	360W	2	70	57500lm	160 lm/W	56500lm	157 lm/W
		3	70	57500lm	160 lm/W	56500lm	157 lm/W
		4	70	57000lm	158 lm/W	56000lm	156 lm/W
		5	70	59000lm	164 lm/W	58000lm	161 lm/W
LV3	320W	2	70	52500lm	160 lm/W	51500lm	161 lm/W
		3	70	52500lm	160 lm/W	51500lm	161 lm/W
		4	70	52000lm	163 lm/W	51000lm	159 lm/W
		5	70	53500lm	167 lm/W	52500lm	164 lm/W
LV4	300W	2	70	48500lm	167 lm/W	47500lm	164 lm/W
		3	70	48500lm	167 lm/W	47500lm	164 lm/W
		4	70	48000lm	166 lm/W	47000lm	162 lm/W
		5	70	49500lm	171 lm/W	48500lm	167 lm/W

## ELECTRICAL DATA

NUMBER OF DRIVERS	DRIVER CURRENT (mA)	NOMINAL POWER (W)	INPUT VOLTAGE (V)	CURRENT (Amps)
1	960	180	120	1.50
		180	208	0.87
		180	240	0.75
		180	277	0.65
		180	347	0.52
		180	480	0.38
1	1500	300	120	2.50
		300	208	1.44
		300	240	1.25
		300	277	1.08
		300	347	0.86
		300	480	0.63
1	1460	400	120	3.33
		400	208	1.92
		400	240	1.67
		400	277	1.44
		400	347	1.15
		400	480	0.83

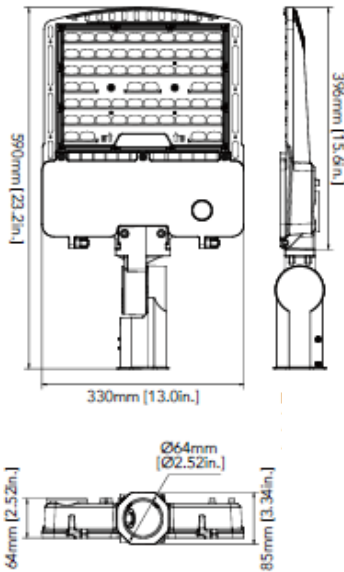
Additional Detailed Specs On Next Page

# LED Area Light Fixture

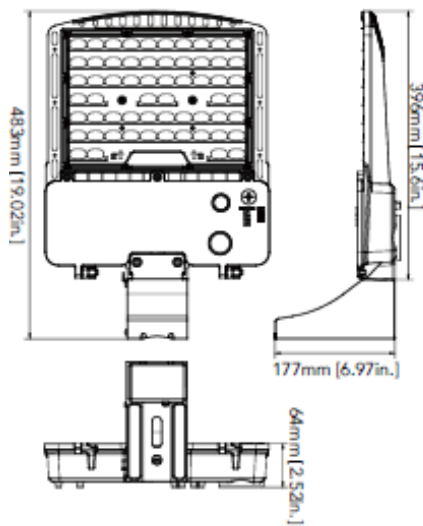


## DIMENSIONS

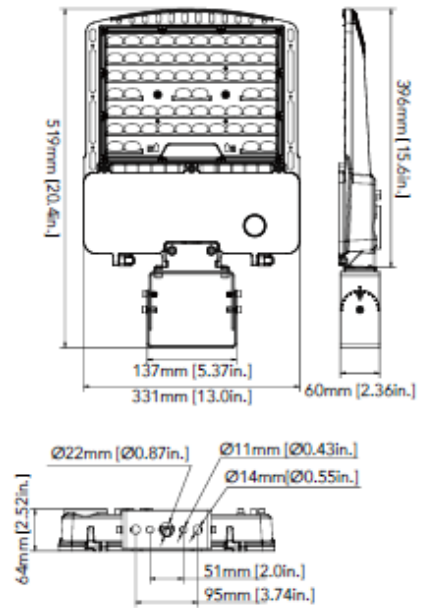
### 180W Slipfitter Unit



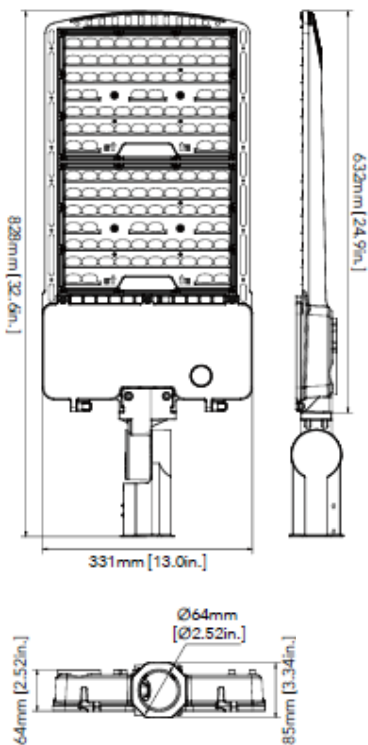
### 180W Square Pole Unit



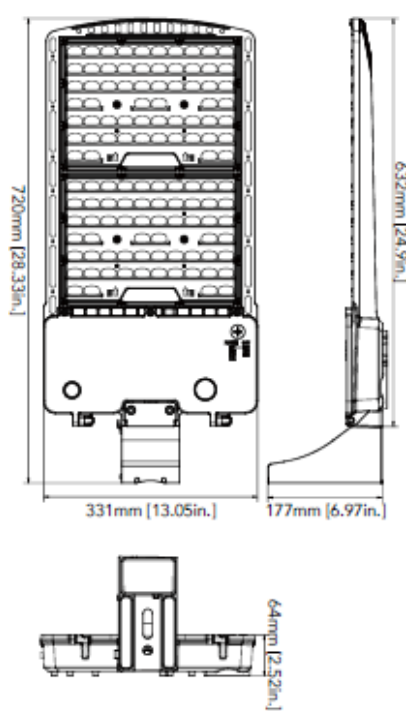
### 180W Yoke Unit



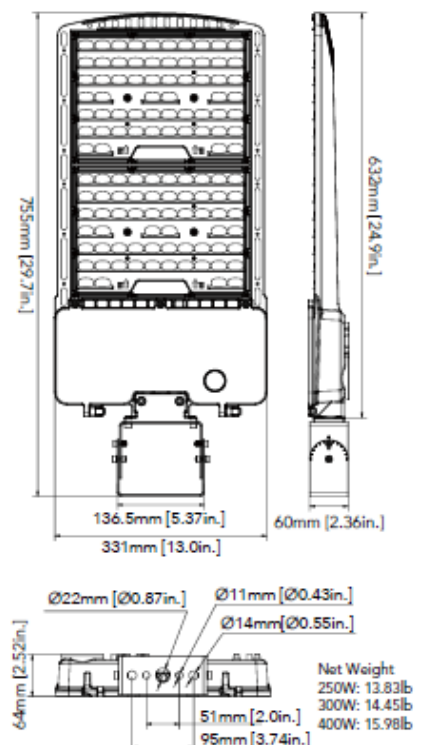
### 300/400W Slipfitter Unit



### 300/400W Square Pole Unit



### 300/400W Yoke Unit



Additional Detailed Specs On Next Page

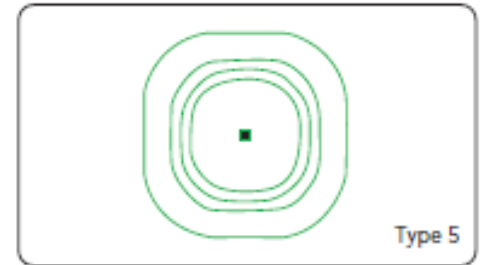
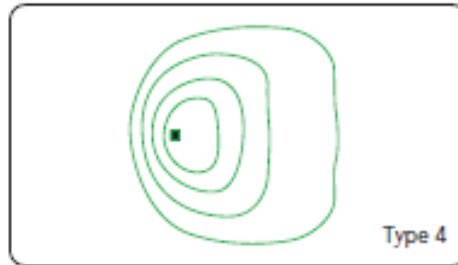
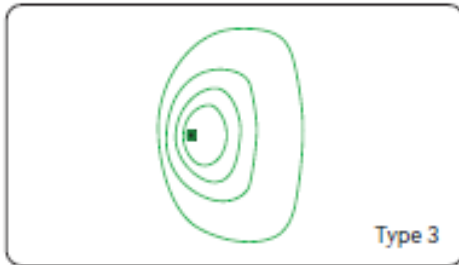
# LED Area Light Fixture



## EPA RATINGS

<b>180W</b>	1	2 @90°	2 @120°	2@180°	3 @90°	3 @120°	4 @90°
	0.3632	0.6849	0.8861	0.7264	1.0481	1.2078	1.0481
<b>300/400W</b>	0.4758	0.8091	1.059	0.9516	1.2849	1.3923	1.2849

## PHOTOMETRICS



## MOUNTING OPTIONS



## MOUNTING DIMENSIONS

