

# LED Canopy Fixture Square



## Features & Essential Specs



### Features:

- Field Selectable Wattage & CCT
- Wet Location Rated
- High Efficacy LED Chips
- Slim Design With Durable Housing
- EM battery & Sensor Options Available

### Applications:

- Retail Stores
- Parking Structures
- Walkways
- Drive-Up Canopies

### Essential Specs:

- Selectable Wattages: 24/36/47/60
- Selectable CCT's: 3500/4000/5000k
- Input Voltage: 120-277VAC
- Lumen Output: 140lm/W
- Dimming: 0-10V Dimming
- Mounting: Surface or Conduit
- Housing: Die-cast Aluminum
- Operating Temp: -40° to 104° F

Additional Detailed Specs On Next Page

# LED Canopy Fixture Square



## PERFORMANCE DATA

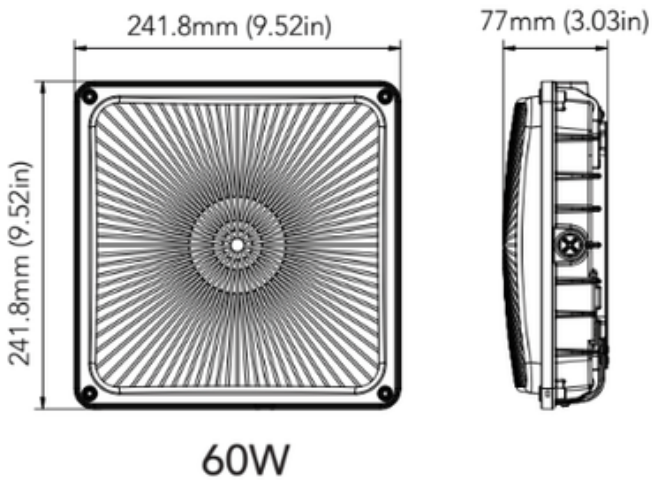
CLS-MS-CP-60W27VDDKDD							
SETTING	SETTING WATTS	3000K		4000K		5000K	
		LUMENS	LPW	LUMENS	LPW	LUMENS	LPW
100%	60W	7800lm	130 lm/W	8400lm	140 lm/W	8000lm	133 lm/W
80%	47W	6500lm	138 lm/W	7000lm	149 lm/W	6600lm	140 lm/W
60%	36W	5200lm	144 lm/W	5600lm	156 lm/W	5300lm	147 lm/W
40%	24W	3700lm	154 lm/W	4000lm	167 lm/W	3800lm	158 lm/W

## ELECTRICAL DATA

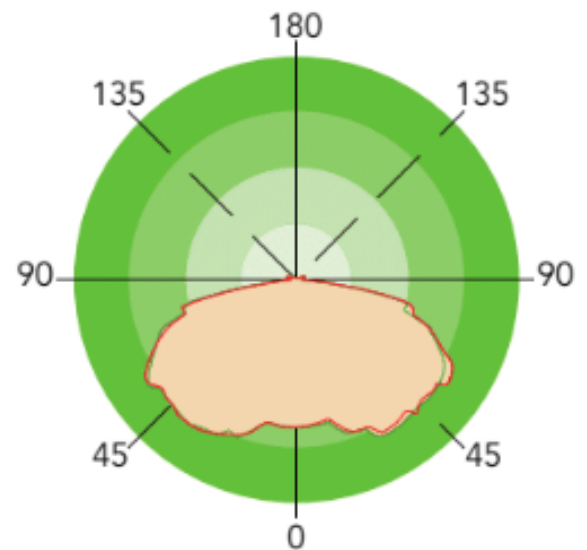
NUMBER OF DRIVERS	DRIVER CURRENT (mA)	NOMINAL POWER (W)	INPUT VOLTAGE (V)	CURRENT (Amps)
1	900	60	120	0.50
		60	208	0.29
		60	240	0.25
		60	277	0.22
		60	347	0.17

## DIMENSIONS

unit: mm/inch



## PHOTOMETRICS



Network Compatible

