

LED Canopy Fixture Gas Station



Features & Basic Specs

Features:

- Field Selectable Wattage
- Wet Location Rated
- High Efficacy LED Chips
- Slim Design With Durable Housing
- Emergency Battery Option Available

Applications:

- Gas Stations
- Parking Structures
- Drive-Up Canopies



Essential Specs:

- Selectable Wattages: 100/120/150
- CCT: 5000K
- Input Voltage: 120-277VAC
- Lumen Output: 140lm/W
- Dimming: 0-10V Dimming
- Mounting: Surface or Conduit
- Housing: Die-cast Aluminum
- Operating Temp: -4° to 113° F

Additional Detailed Specs On Next Page

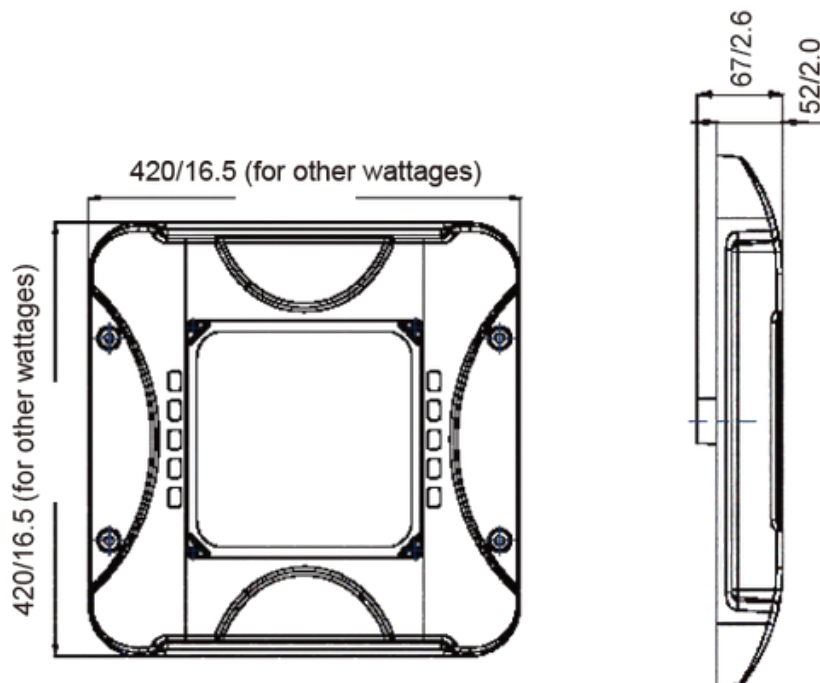
LED Canopy Fixture Gas Station



CLS-ZY-CP-ADJW-50K-DM / CLS-ZY-CP-ADJW-50K-DM-EM

Power Factor: >0.95	Surge Protection: 10kV(standard)/ 6kV	Color Rendering Index(CRI): ≥ 70
Beam Angle: 110°	IP Rating: IP65	Lifespan: 50,000 hours
Input Voltage: AC120-277V	Selectable Wattages: 100W/120W/150W	Fixture Net Weight: 14.33lb

DIMENSIONS



Network Compatible

