

Standard LED Panel Fixture



Features & Basic Specs

Features:

- Field Selectable Wattages
- Field Selectable CCT
- High Efficacy LED Chips
- Sleek Modern Housing Design
- Emergency Backup & Network Control Capable

Essential Specs:

- Selectable Wattages:
1X4 & 2X2 - 15/20/25/30/40W
2X4 - 30/40/50/60/72W
- Selectable CCT's: 27/35/40/50/65K
- Input Voltage: 120-277VAC
- Lumen Output: 130lm/W

Applications:

- Offices
- Hallways
- Schools
- Hospitals



Additional Detailed Specs On Next Page

Standard LED Panel Fixture



CLS-MN-PNL-1X4-40W-DM-ADJ | CLS-MN-PNL-2X2-40W-DM-ADJ | CLS-MN-PNL-2X4-40W-DM-ADJ

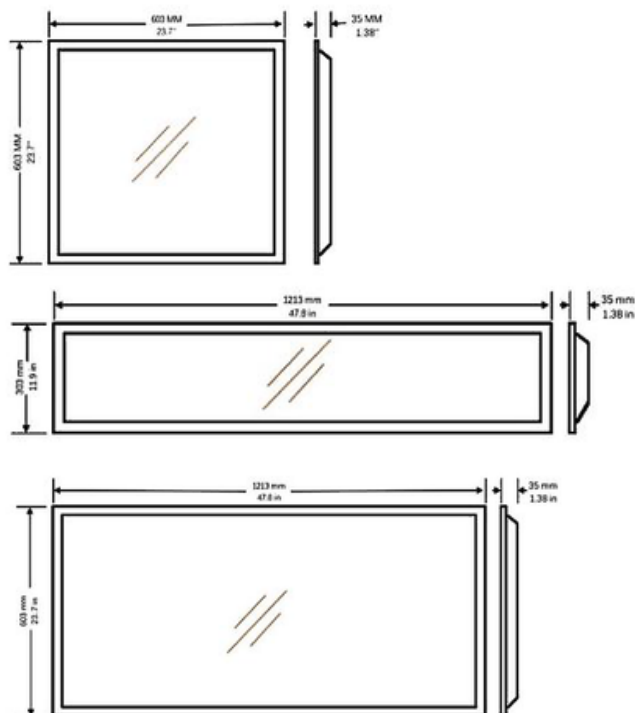
Input Voltage: 120-277VAC	Available Wattages: 15/20/25/30/40/50/60/72	Control Receptacle: 2.5mm*11mm, Twist-in
Beam Angle: 113°	Color Rendering Index(CRI): ≥83	Lifespan: 50,000 hours
Lens Type: Frosted	Mounting Type : Recessed / Surface Mount w/ Surface Mount Kits (Below)	Pieces Per Case: 4

DIMENSIONS

Emergency Battery Option:
CLS-ZY-BLD-HM15D



Bluetooth Motion Sensor Option:
CLS-KN-IFS108-AUX-B1



Surface Mount Kit Options

2x2

CLS-ZY-PNL-SMK2x2

2x4

CLS-ZY-PNL-SMK2x4

