

LED Commercial Floodlight Fixture



Features & Essential Specs

Features:

- Field Selectable Wattage & CCT
- Wet Location Rated
- High Efficacy LED Chips
- Slim Design With Durable Housing
- EM battery & Sensor Options Available

Essential Specs:

- Selectable Wattages:
40W - 14/21/29/40W
65W - 27/41/54/65W
- Selectable CCT's: 3000/4000/5000k
- Input Voltage: 120-277VAC
- Lumen Output: 142/143lm/W

Applications:

- Building Exteriors
- Billboards
- Landscape Lighting
- Display Lighting



Additional Detailed Specs On Next Page

LED Commercial Floodlight Fixture



PERFORMANCE DATA

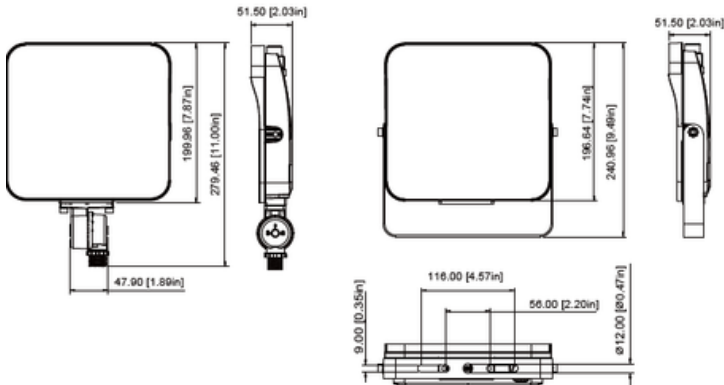
CLS-MS-FL-40/65W27VDDKD XX B77

SYSTEM WATTS	VOLTAGE	DIST. TYPE	CRI	LUMENS (3000K)	LPW (3000K)	LUMENS (4000K)	LPW (4000K)	LUMENS (5000K)	LPW (5000K)
40W	120-277V	7Hx7V	70	5700lm	143 lm/W	6000lm	150 lm/W	5800lm	145 lm/W
65W	120-277V	7Hx7V	70	9200lm	142 lm/W	9700lm	149 lm/W	9400lm	145 lm/W

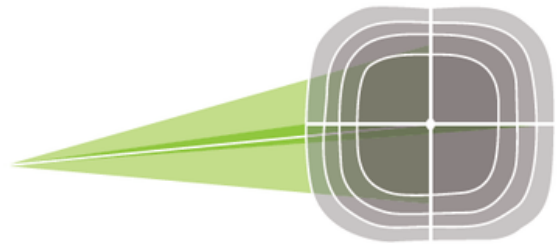
ELECTRICAL DATA

NUMBER OF DRIVERS	DRIVER CURRENT (mA)	NOMINAL POWER (W)	INPUT VOLTAGE (V)	CURRENT (Amps)
1	680	40	120	0.33
		40	208	0.19
		40	240	0.17
		40	277	0.14
1	980	65	120	0.54
		65	208	0.31
		65	240	0.27
		65	277	0.23

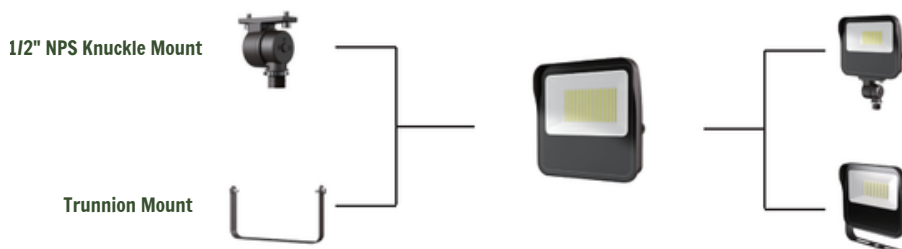
DIMENSIONS



PHOTOMETRICS



Mounting Options



Network Compatible

