

# LED Commercial Floodlight Fixture



## Features & Essential Specs

### Features:

- Field Selectable Wattage & CCT
- Wet Location Rated
- High Efficacy LED Chips
- Slim Design With Durable Housing
- EM battery & Sensor Options Available

### Essential Specs:

- Selectable Wattages:  
90W - 33/50/67/90W  
120W - 52/71/98/120W
- Selectable CCT's: 3000/4000/5000k
- Input Voltage: 120-277VAC
- Lumen Output: 149/146lm/W

### Applications:

- Building Exteriors
- Billboards
- Landscape Lighting
- Display Lighting



Additional Detailed Specs On Next Page

# LED Commercial Floodlight Fixture



## PERFORMANCE DATA

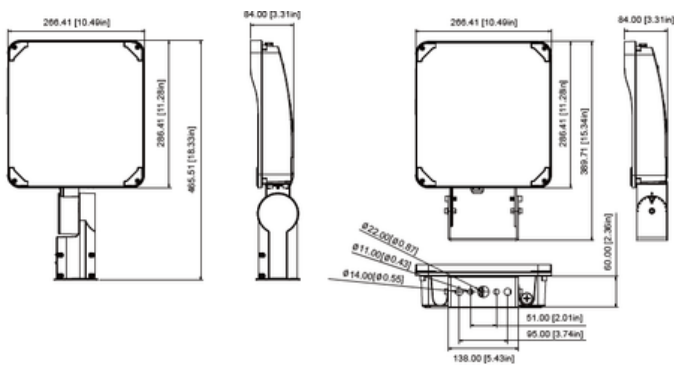
### CLS-MS-FL-90/120W27VDDKD XX B77

SYSTEM WATTS	VOLTAGE	DIST. TYPE	CRI	LUMENS (3000K)	LPW (3000K)	LUMENS (4000K)	LPW (4000K)	LUMENS (5000K)	LPW (5000K)
90W	120-277V	7Hx7V	70	13400lm	149 lm/W	14500lm	161 lm/W	13500lm	150 lm/W
120W	120-277V	7Hx7V	70	17500lm	146 lm/W	19000lm	158 lm/W	18000lm	150 lm/W

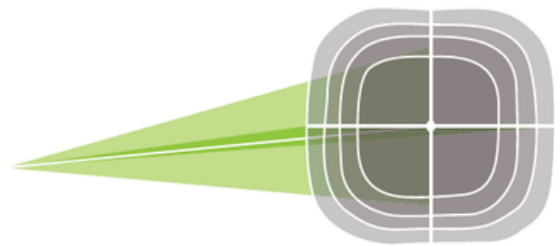
## ELECTRICAL DATA

NUMBER OF DRIVERS	DRIVER CURRENT (mA)	NOMINAL POWER (W)	INPUT VOLTAGE (V)	CURRENT (Amps)
1	730	90	120	0.75
		90	208	0.43
		90	240	0.38
		90	277	0.32
1	960	120	120	1.00
		120	208	0.58
		120	240	0.50
		120	277	0.43

## DIMENSIONS



## PHOTOMETRICS



## Mounting Options

