

1	5"x5"x66" Vinyl Post	.135" Thickness
2	1-1/2"x5-1/2"x94" Vinyl Rail	.090" Thickness
3	.875"x6"x50-1/4" Vinyl Picket	.050" Thickness
4	7/8"x47" U-Channel	.060" Thickness
5/6	5"x2-3/8" Post Collar Adapter	HDPE
7	2-3/8"x8" Galvanized Steel Post	SS15 or SK40
8	94" Metal Insert	Bottom Rail
9	5"x5" Vinyl Cap	Pyramid (Options Available)
10	Ground Level	-----
11	2"x3-1/2"x94" Vinyl Rail	.120" Thickness

Description  
5' Semi Privacy Profile

Revised:  
02/01/2020

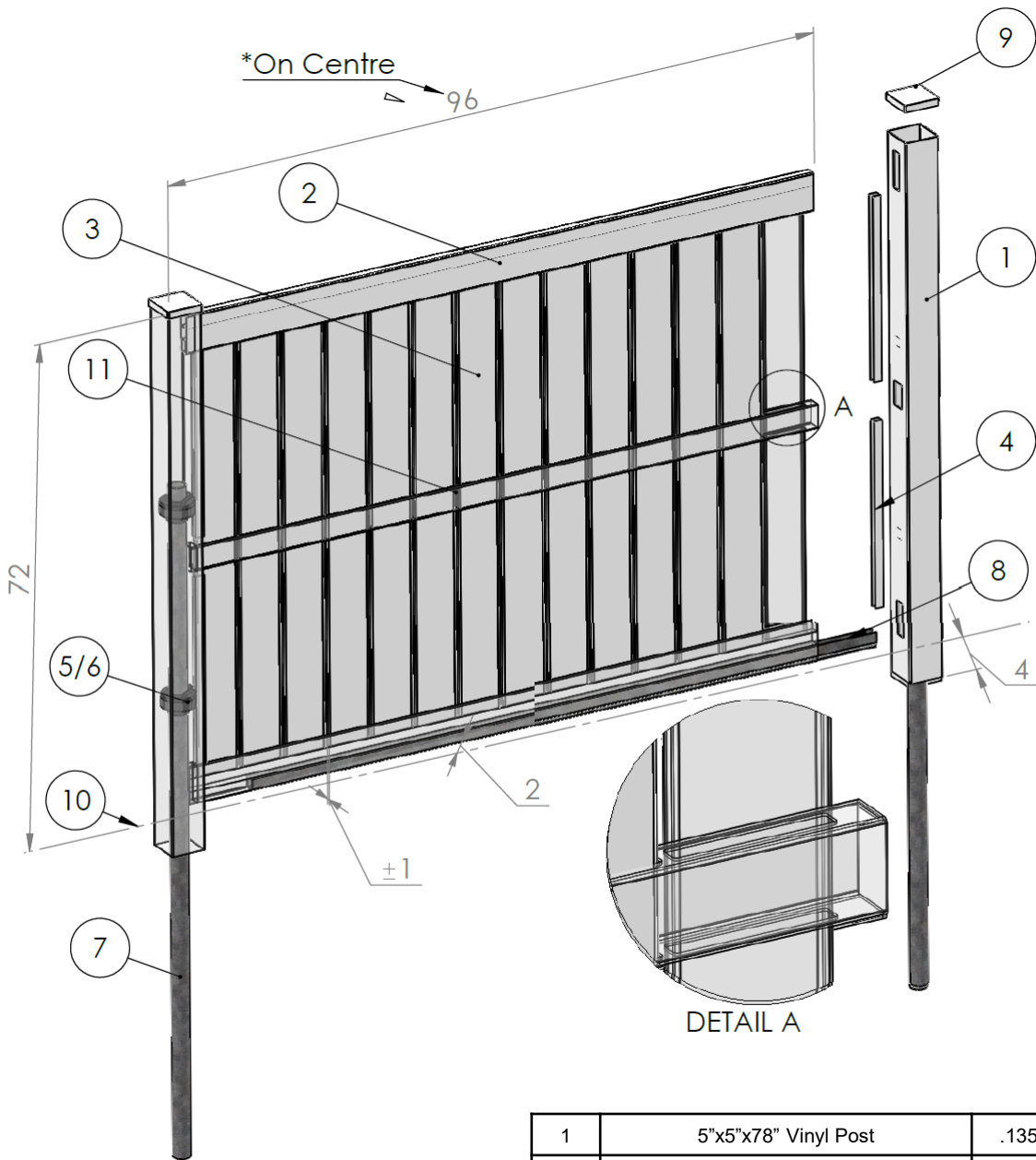
SKU: .

Notes:  
All parts shown are property of  
C.A.F Inc

Scale:  
NTS

**CAF**  
CENTRAL ALBERTA FENCING INC  
VINYL • WOOD • ORNAMENTAL • EST. 2009

**Central Alberta Fencing inc.**  
(403) 986-5484 Red Deer  
(403) 354-5484 Calgary  
[info@centralalbertafencing.ca](mailto:info@centralalbertafencing.ca)  
[www.centralalbertafencing.ca](http://www.centralalbertafencing.ca)



1	5"x5"x78" Vinyl Post	.135" Thickness
2	1-1/2"x5-1/2"x94" Vinyl Rail	.090" Thickness
3	.875"x6"x62-1/4" Vinyl Picket	.050" Thickness
4	7/8"x59" U-Channel	.060" Thickness
5/6	5"x2-3/8" Post Collar Adapter	HDPE
7	2-3/8"x8" Galvanized Steel Post	SS15 or SK40
8	94" Metal Insert	Bottom Rail
9	5"x5" Vinyl Cap	Pyramid (Options Available)
10	Ground Level	-----
11	2"x3-1/2"x94" Vinyl Rail	.120" Thickness

Description  
6' Semi Privacy Profile

Revised:  
02/01/2020

SKU: .

Notes:  
All parts shown are property of  
C.A.F Inc

Scale:  
NTS

**CAF**  
CENTRAL ALBERTA FENCING INC  
VINYL • WOOD • ORNAMENTAL • EST. 2009

**Central Alberta Fencing inc.**  
(403) 986-5484 Red Deer  
(403) 354-5484 Calgary  
[info@centralalbertafencing.ca](mailto:info@centralalbertafencing.ca)  
[www.centralalbertafencing.ca](http://www.centralalbertafencing.ca)