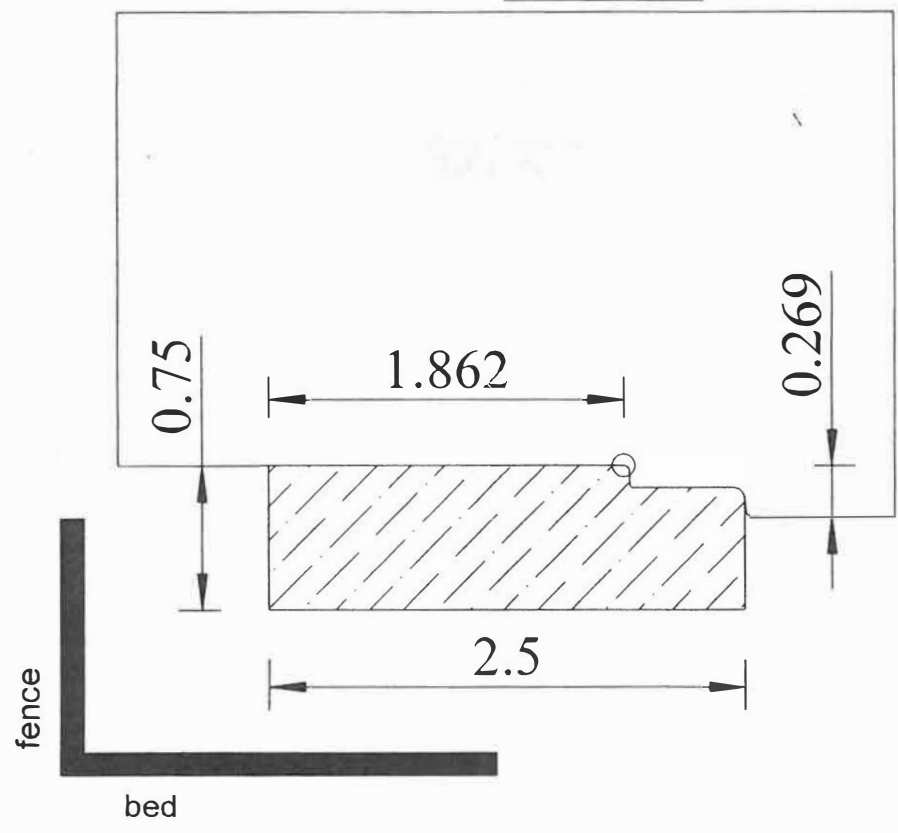
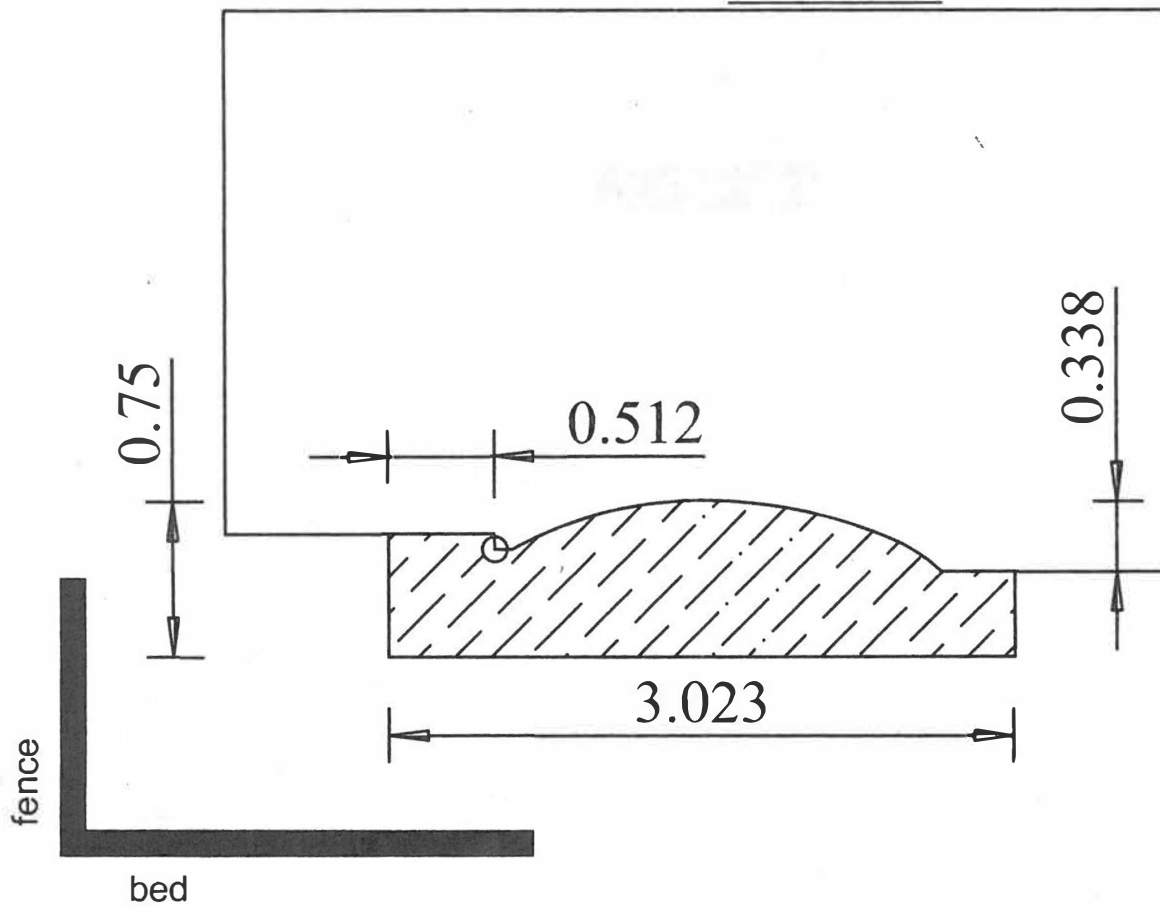


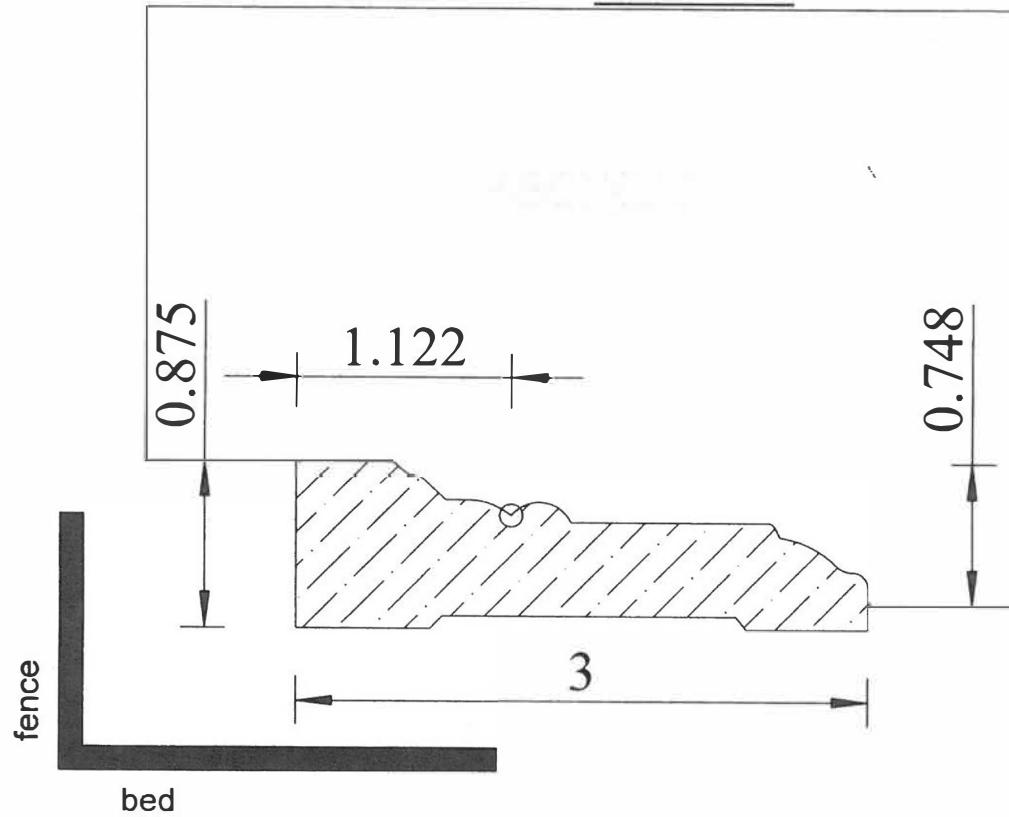
A-67



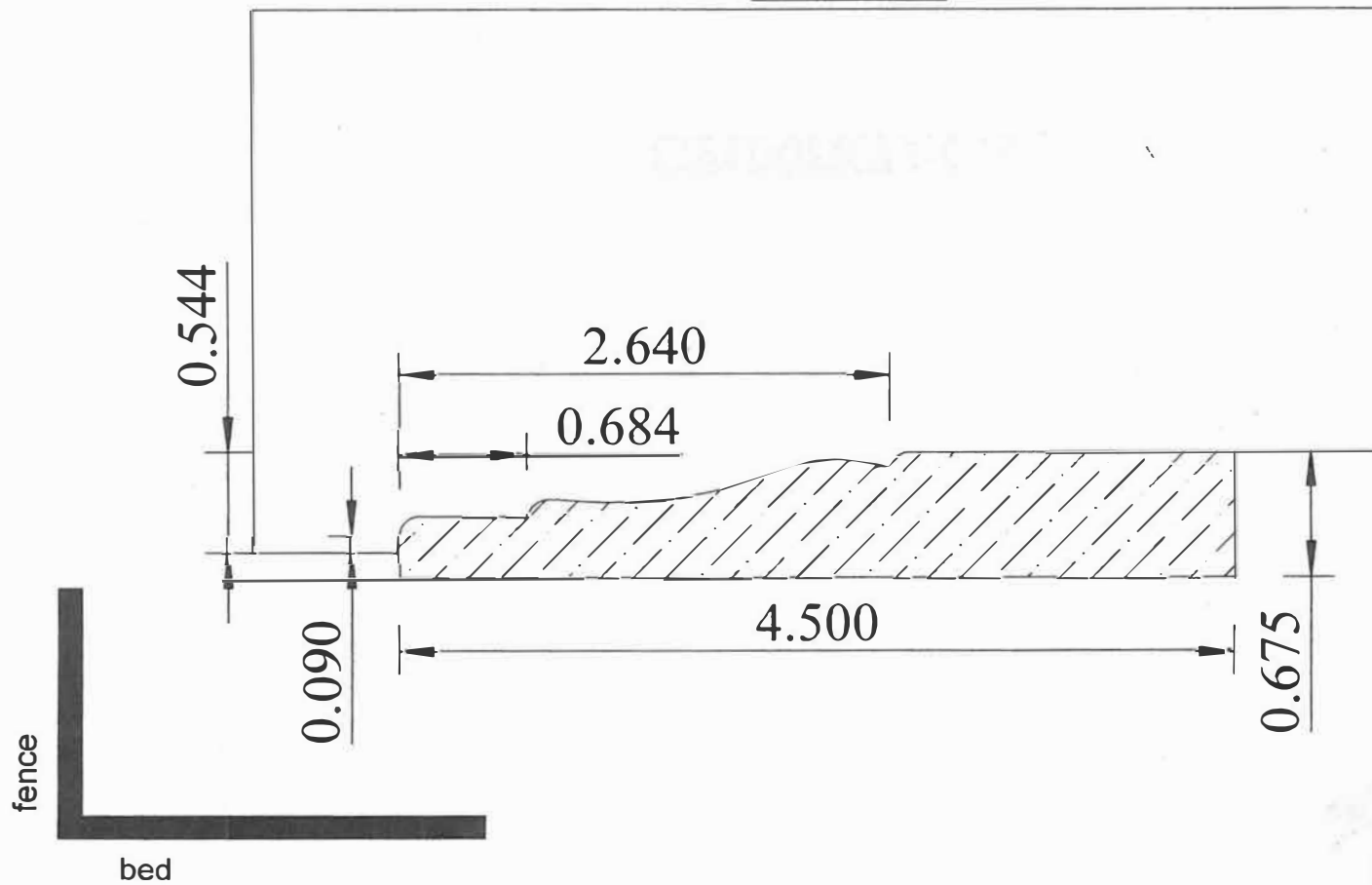
A-74



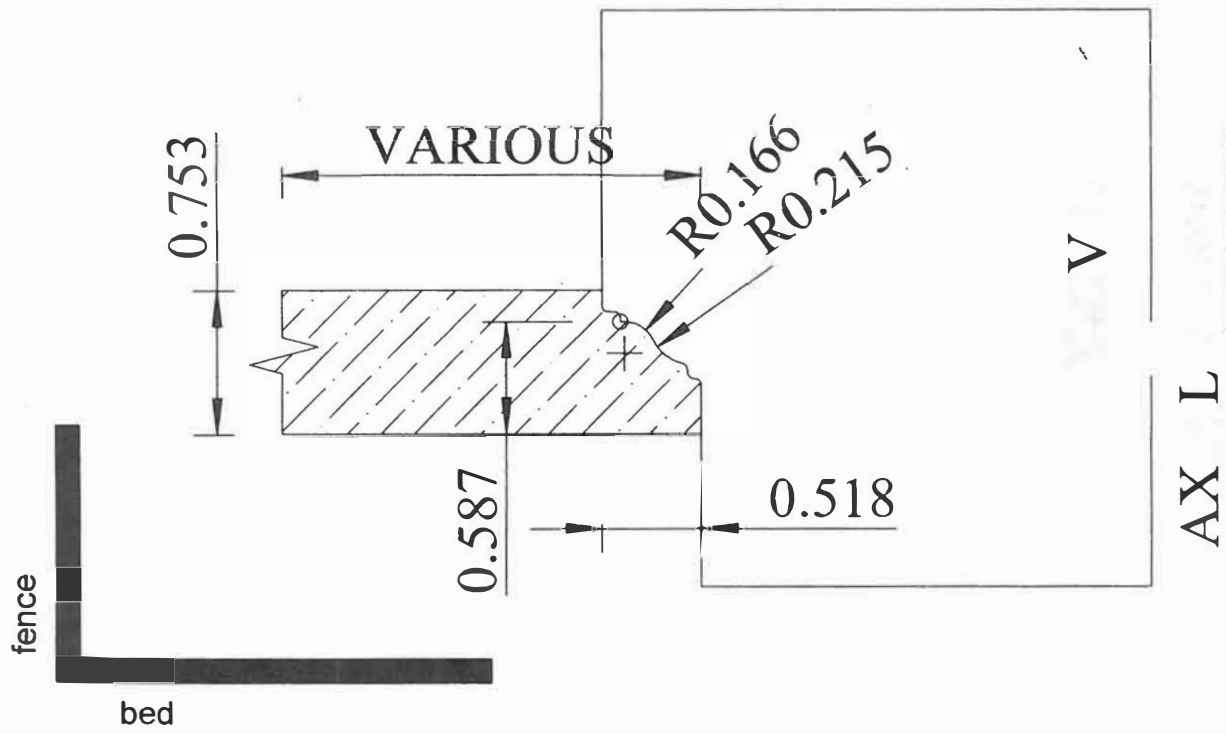
A-75



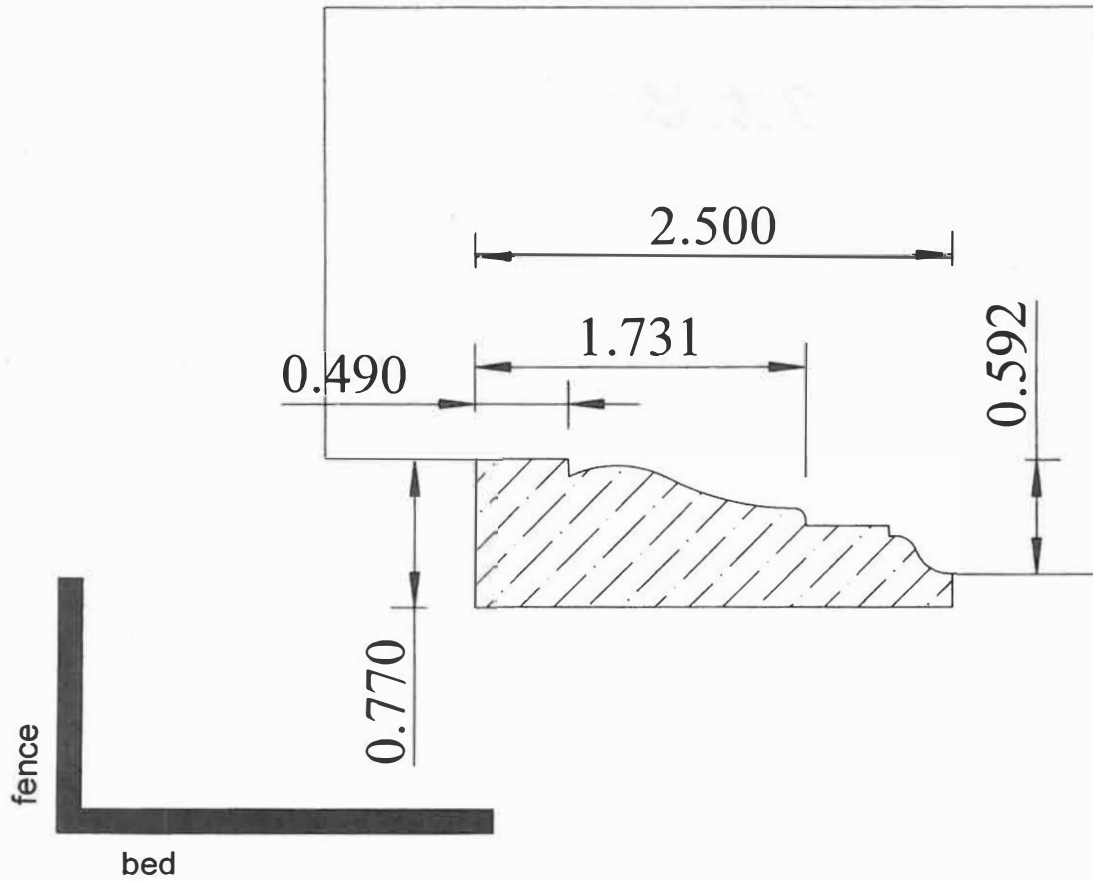
A-76



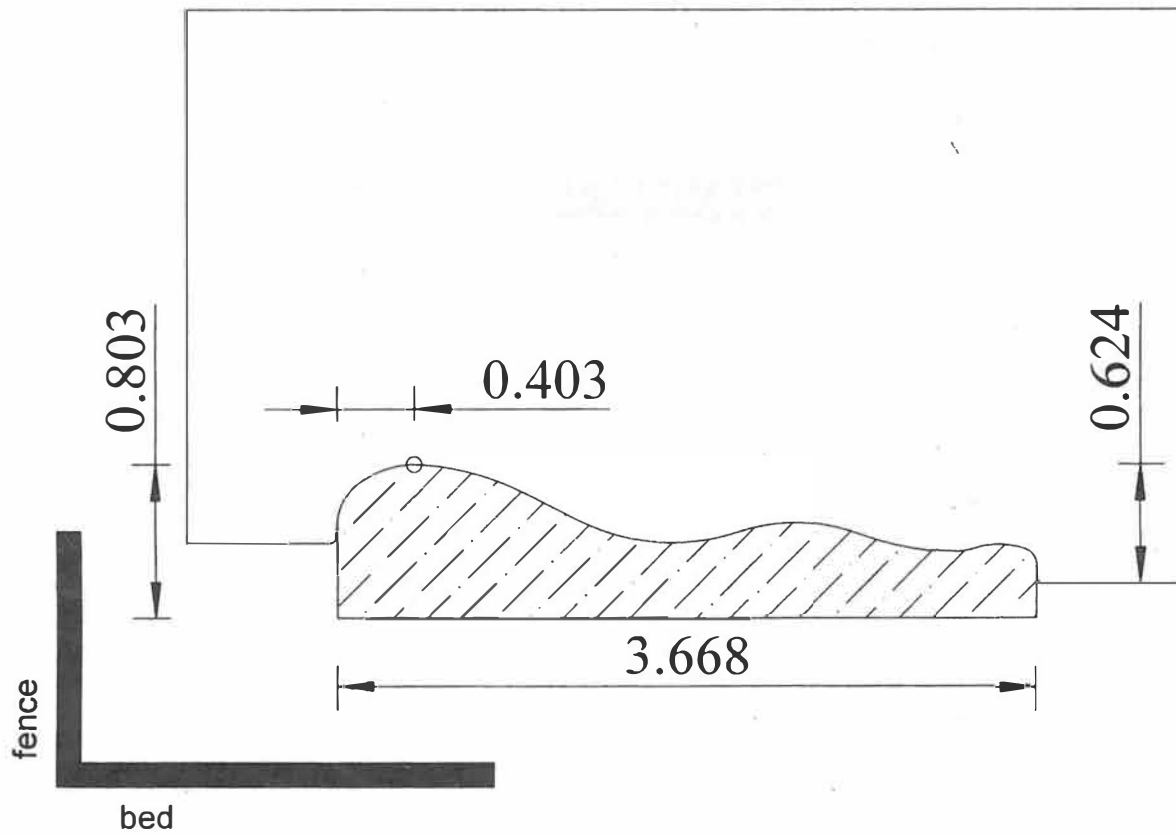
A-85



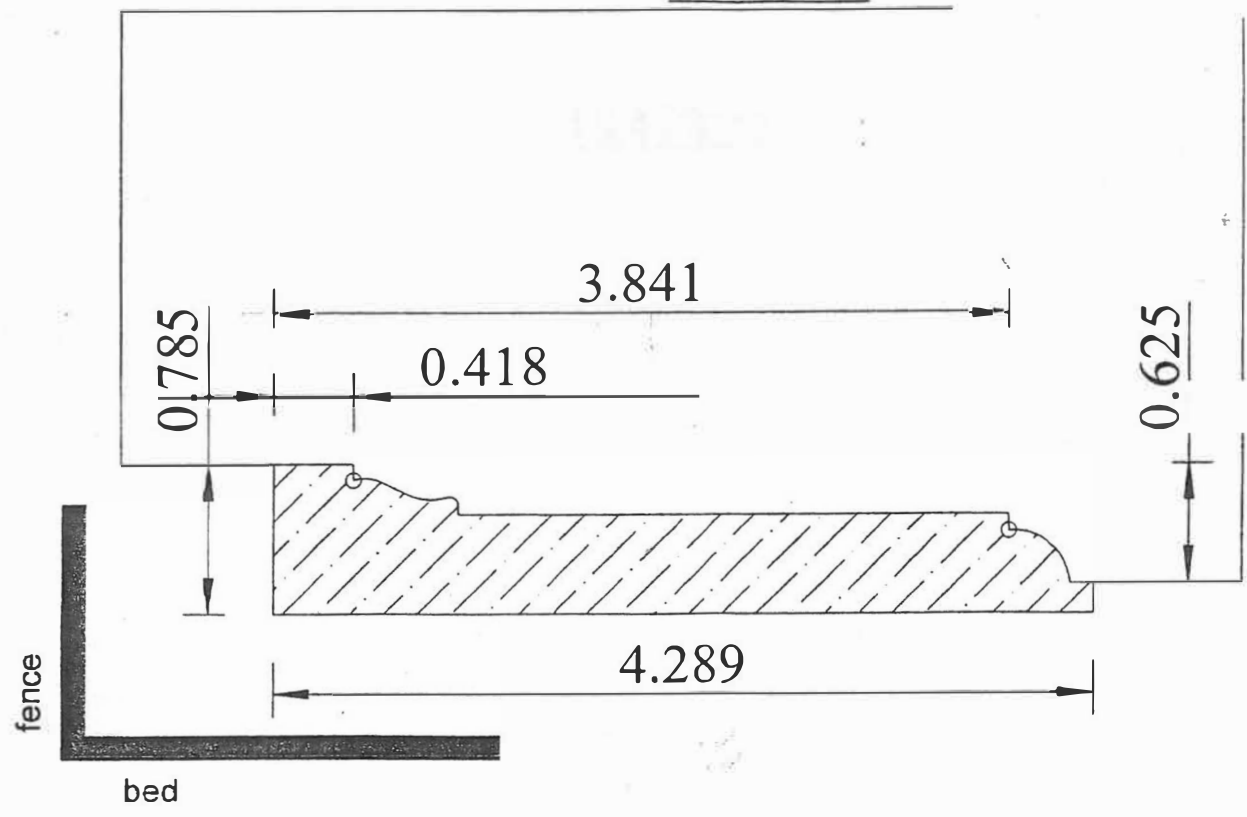
A-88



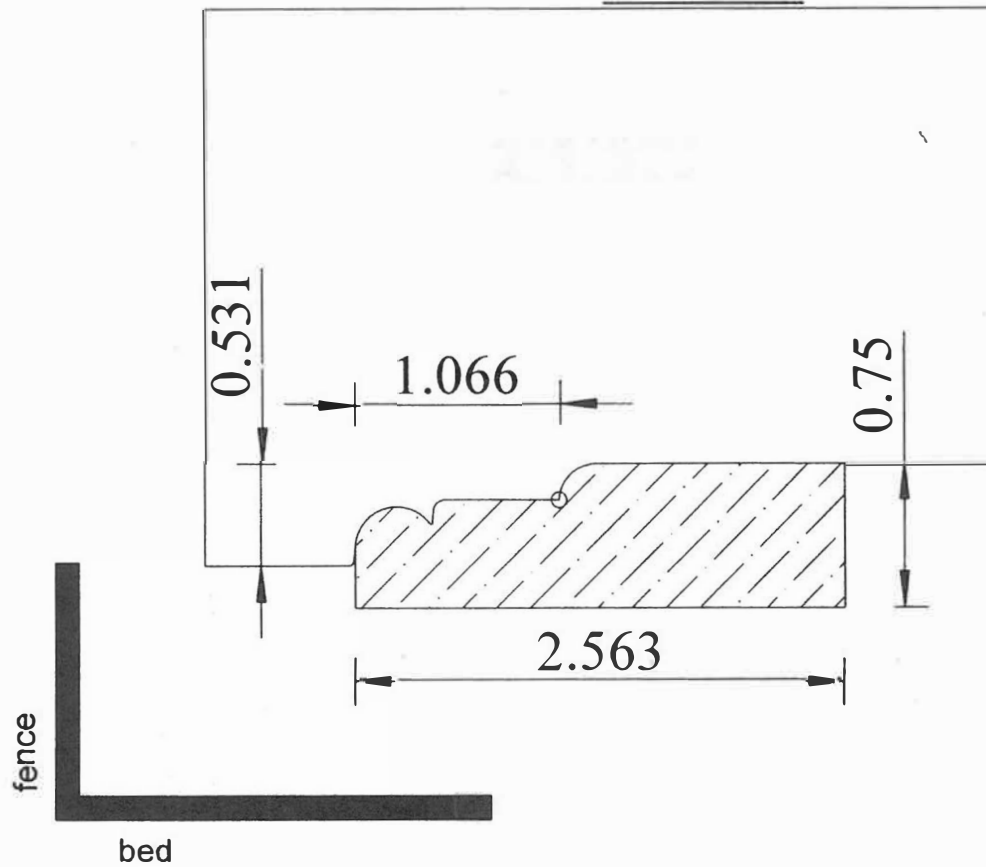
A-91



A-95



A-96



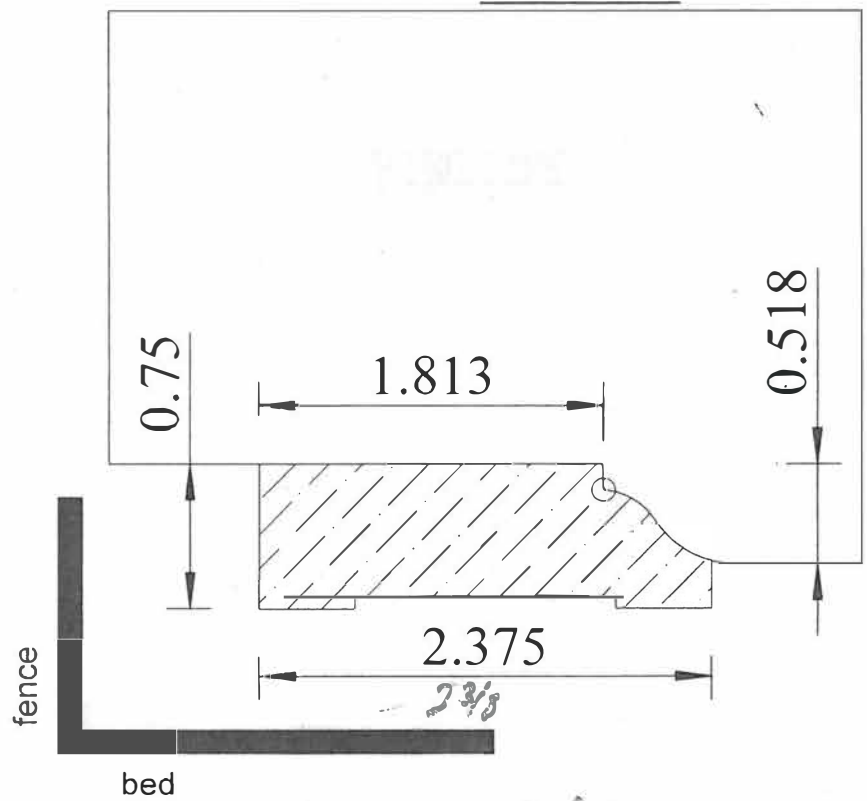


- EST 1938 -

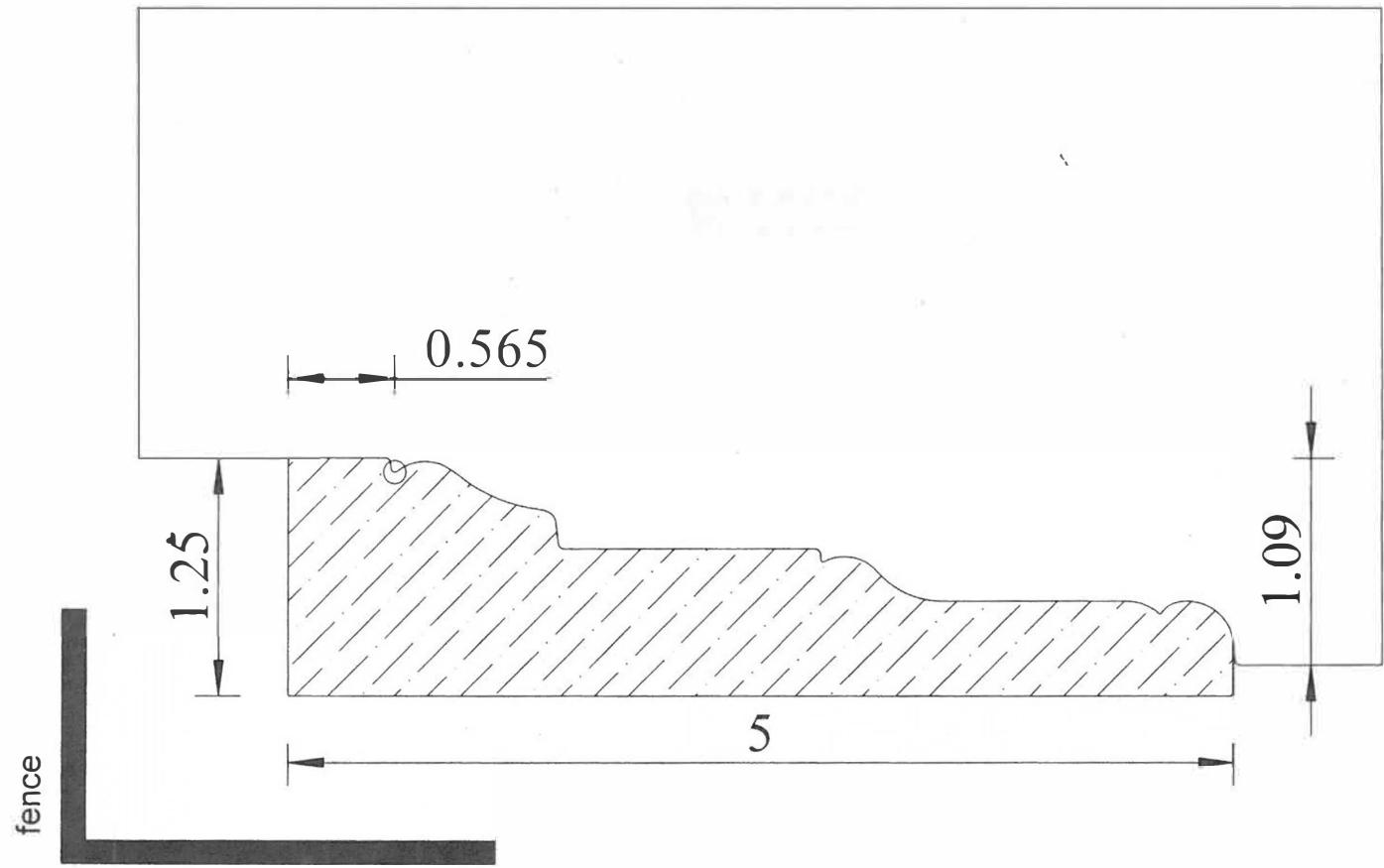
A. FILLINGER, INC.

MOULDING DIVISION

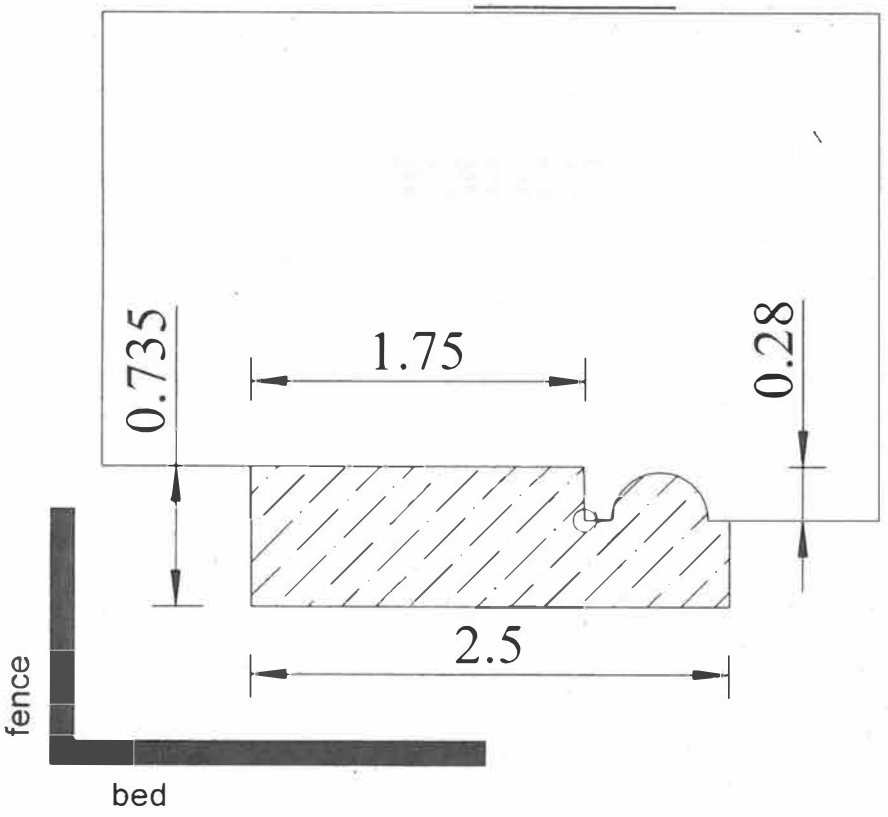
~~C-3~~
Grid # B67



B-72



B-75



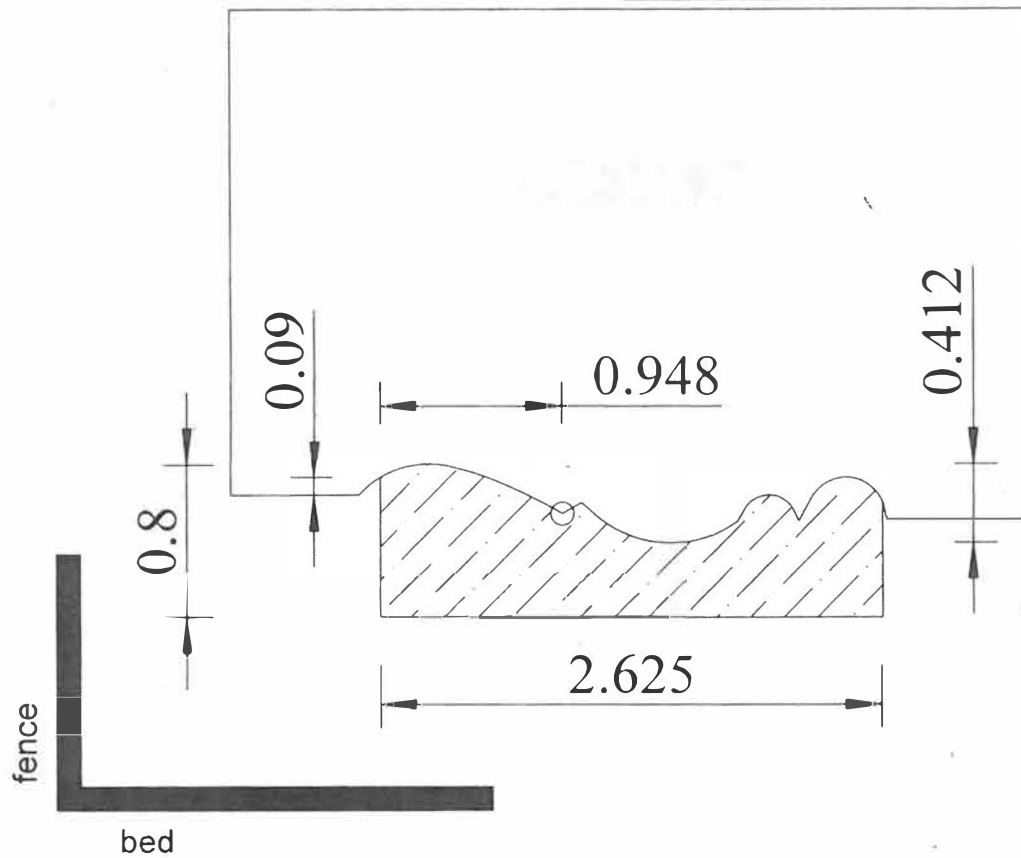


- EST 1938 -

A. FILLINGER, INC.

MOULDING DIVISION

B-78





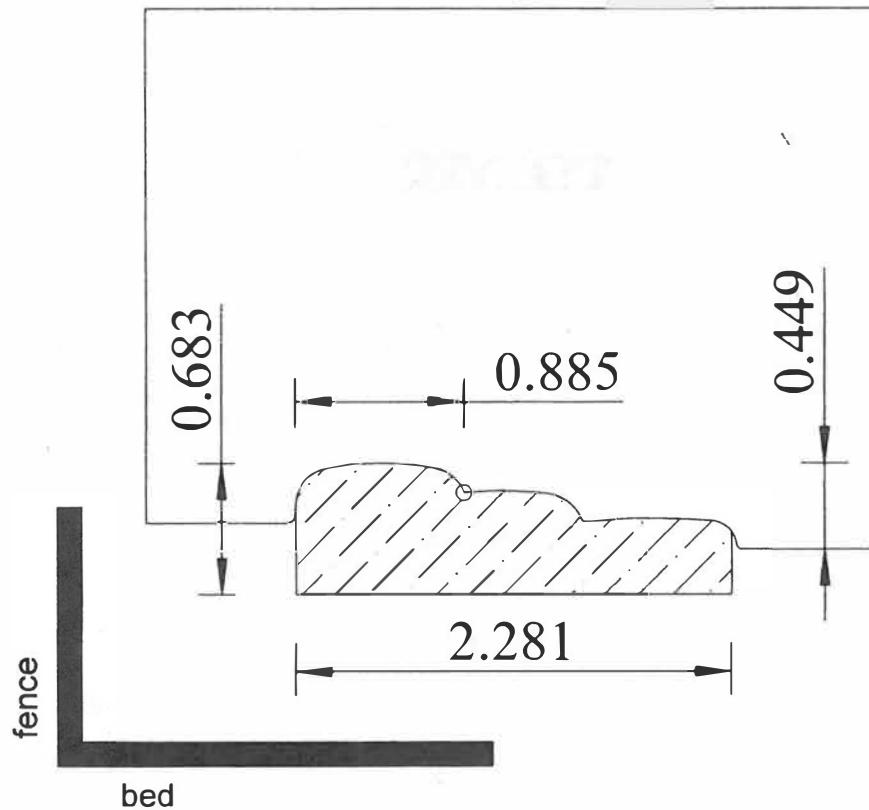
- EST

1938 -

A. FILLINGER, INC.

MOULDING DIVISION

B-80





- EST

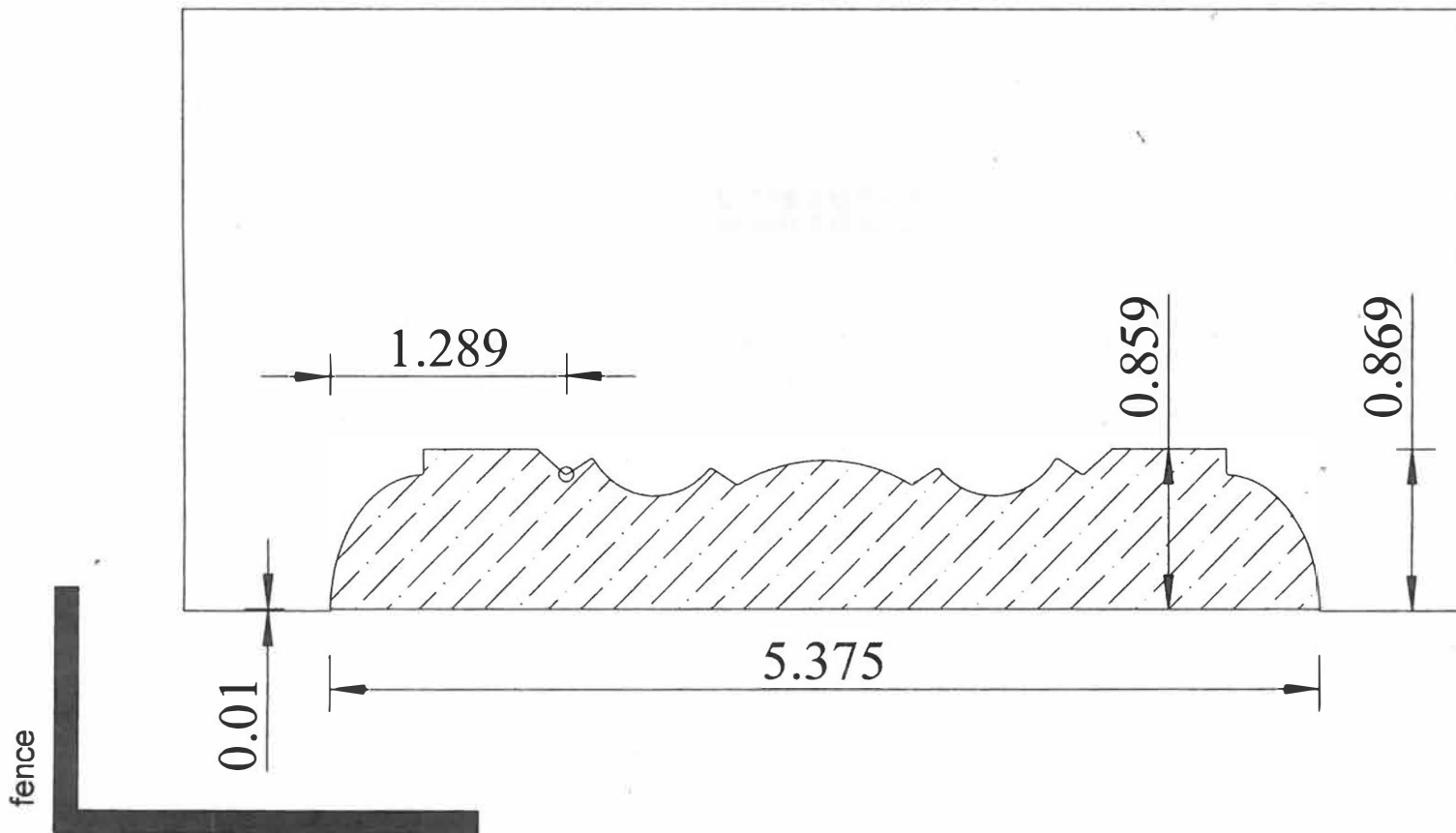
1938 -

A. FILLINGER, INC.

MOULDING DIVISION

1111111111

B-82



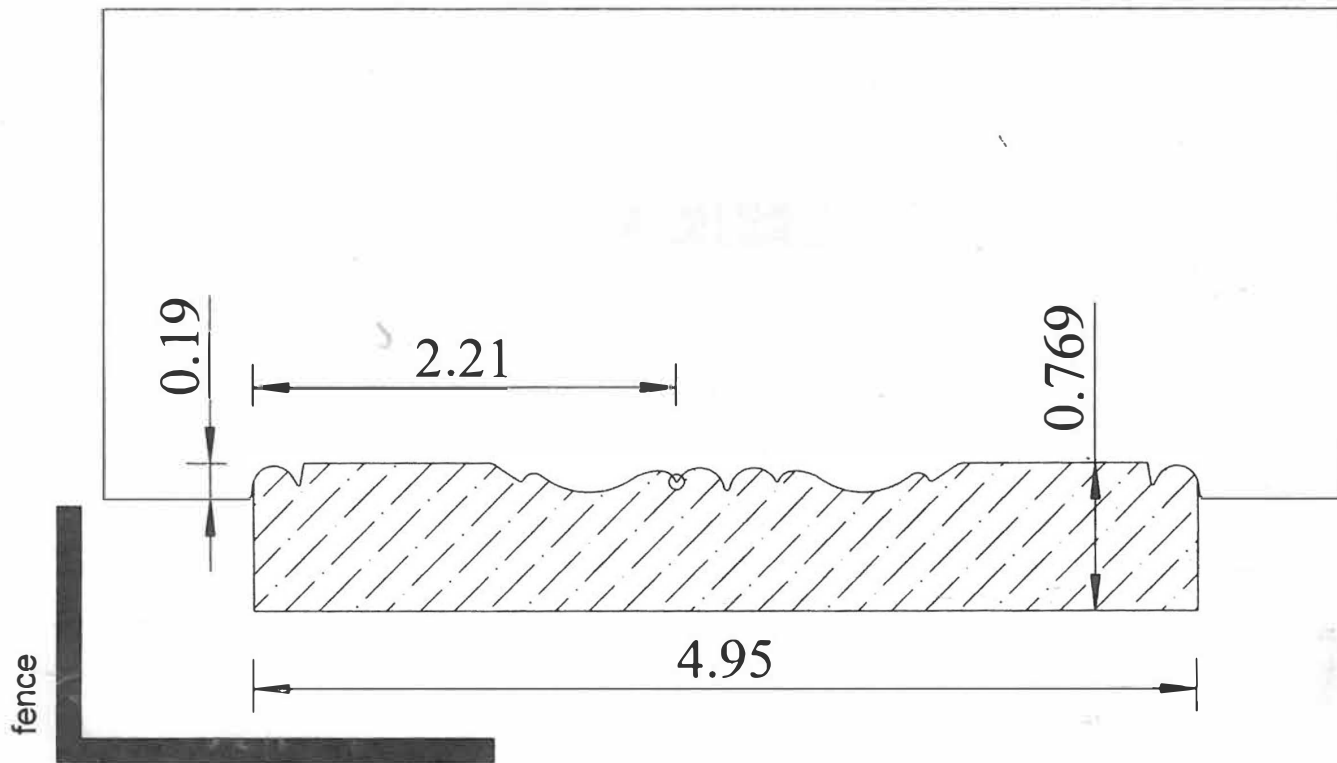


- EST 1938 -

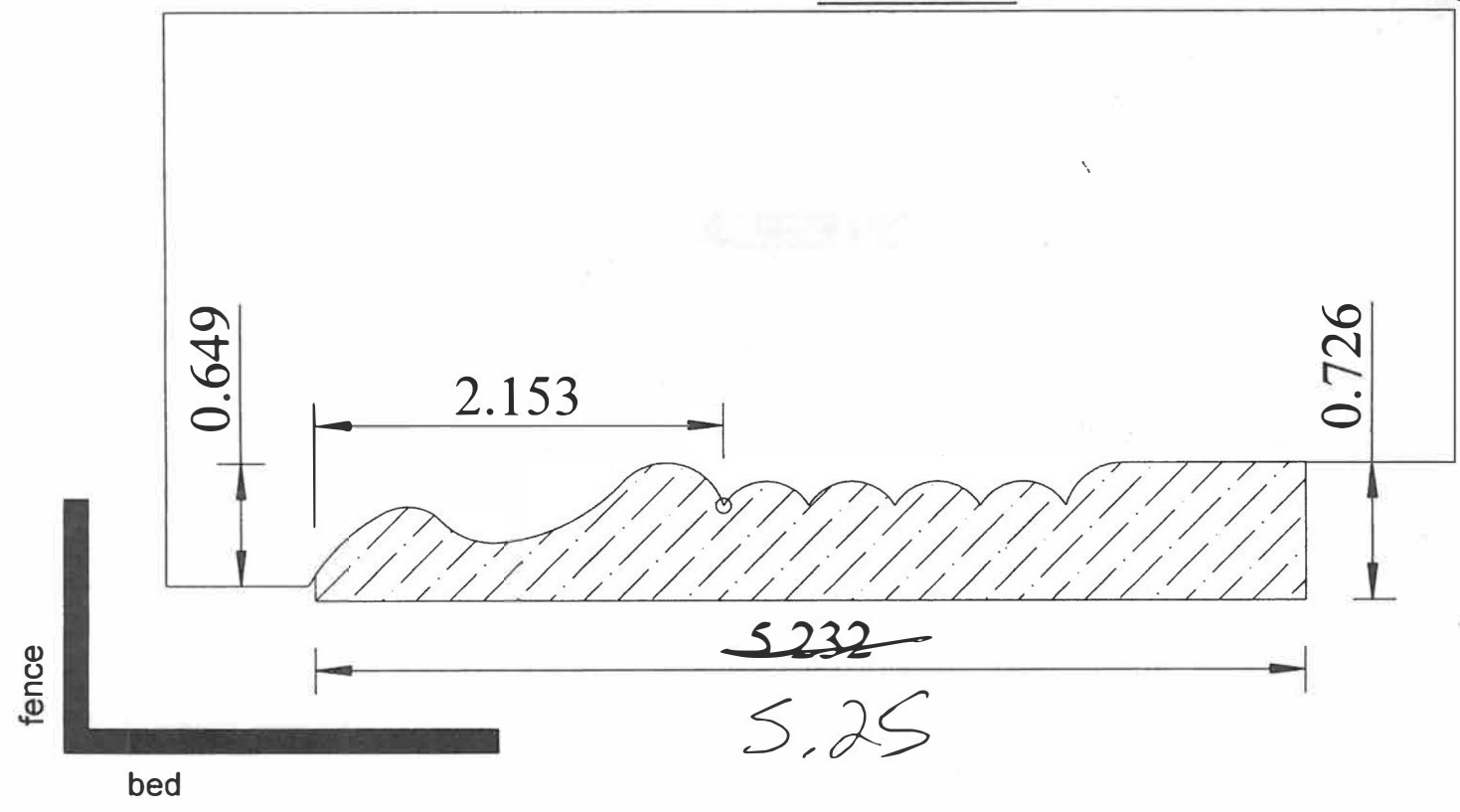
A. FILLINGER, INC.

MOULDING DIVISION

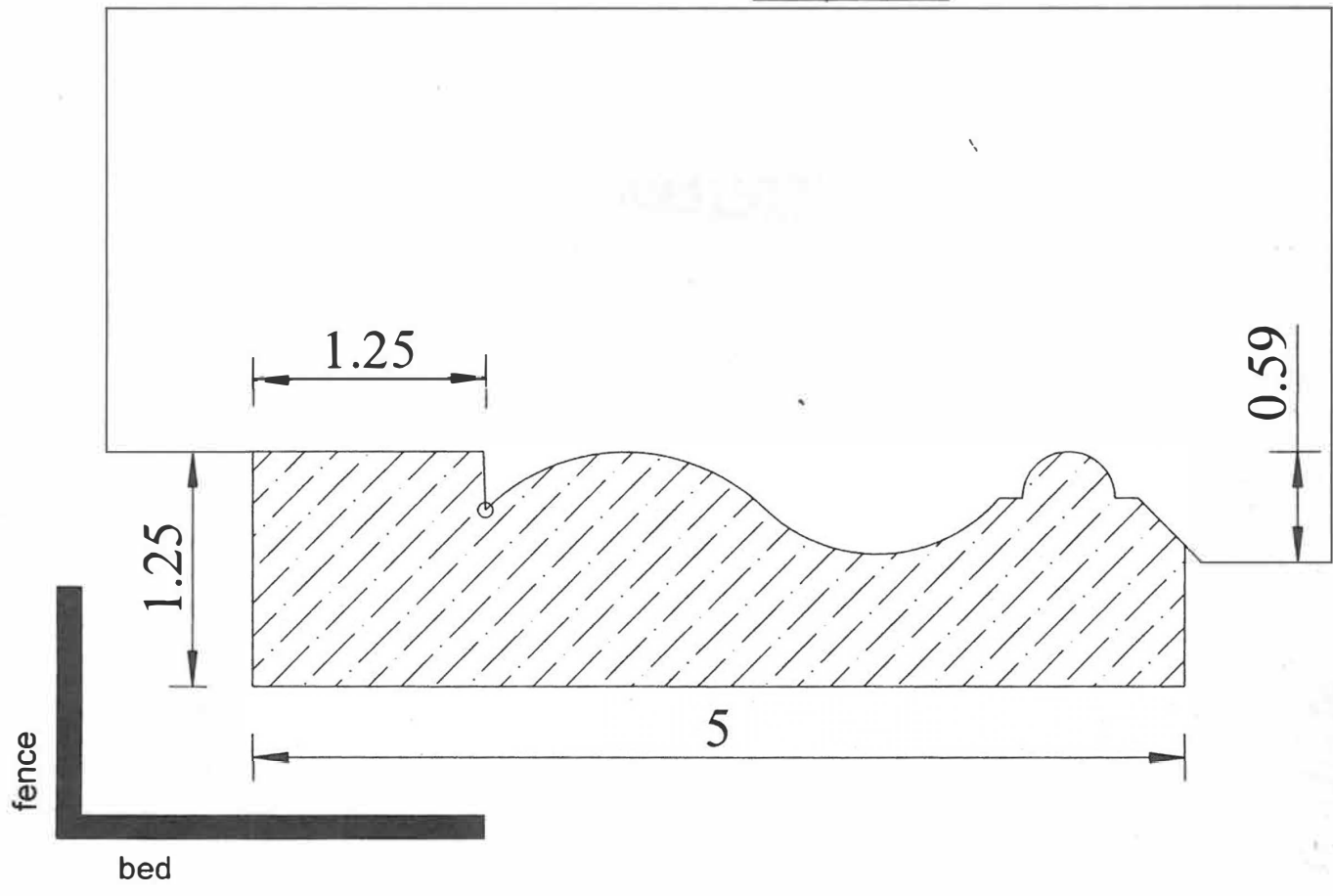
B-85



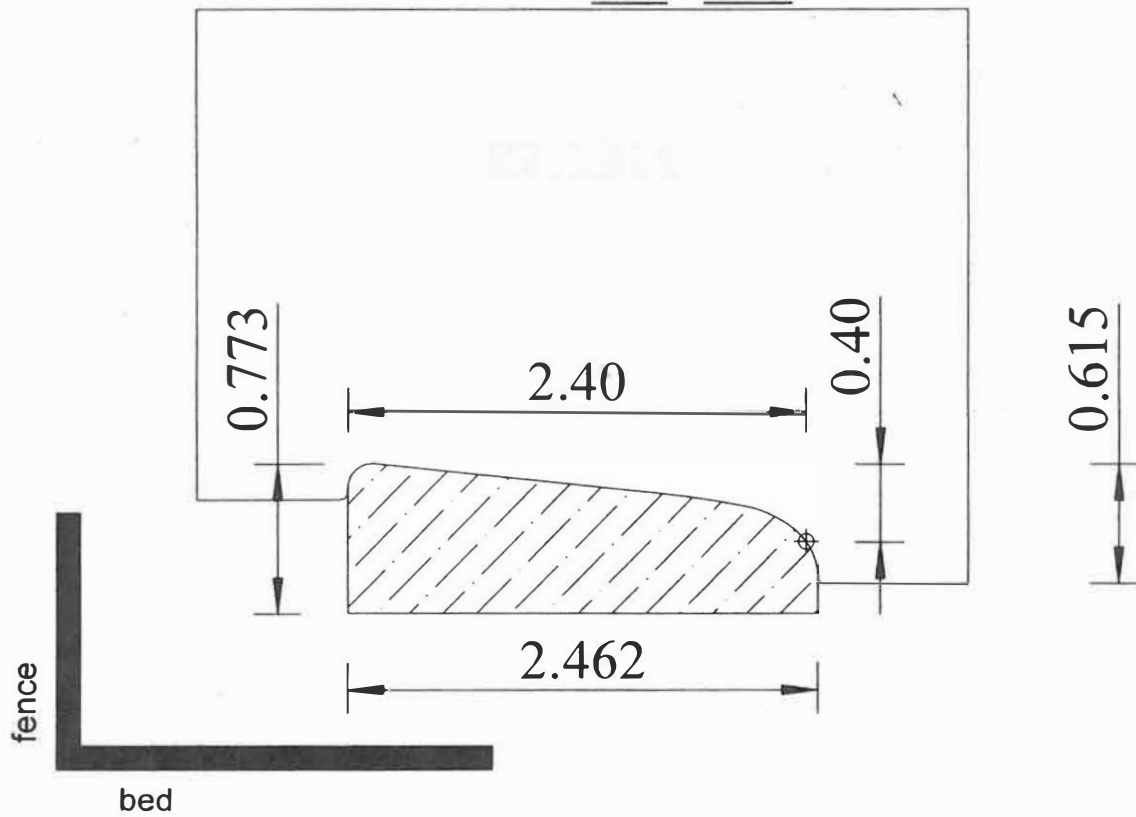
B-90



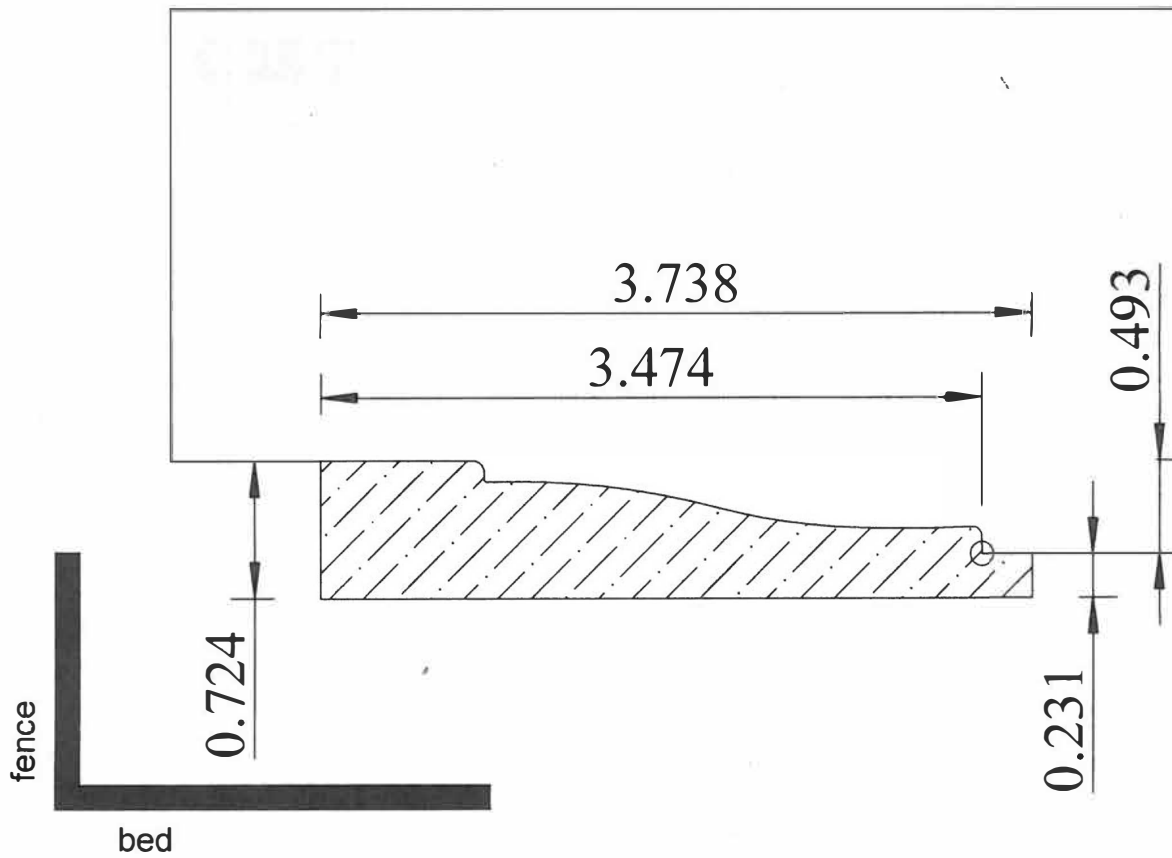
B-91



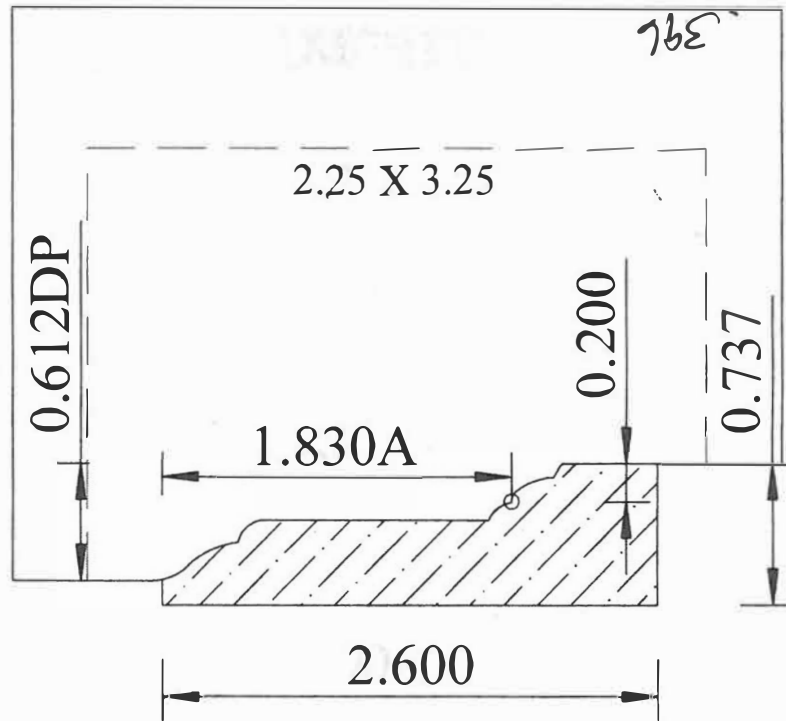
B-96



C-28

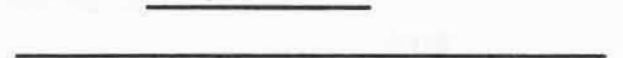


C-31

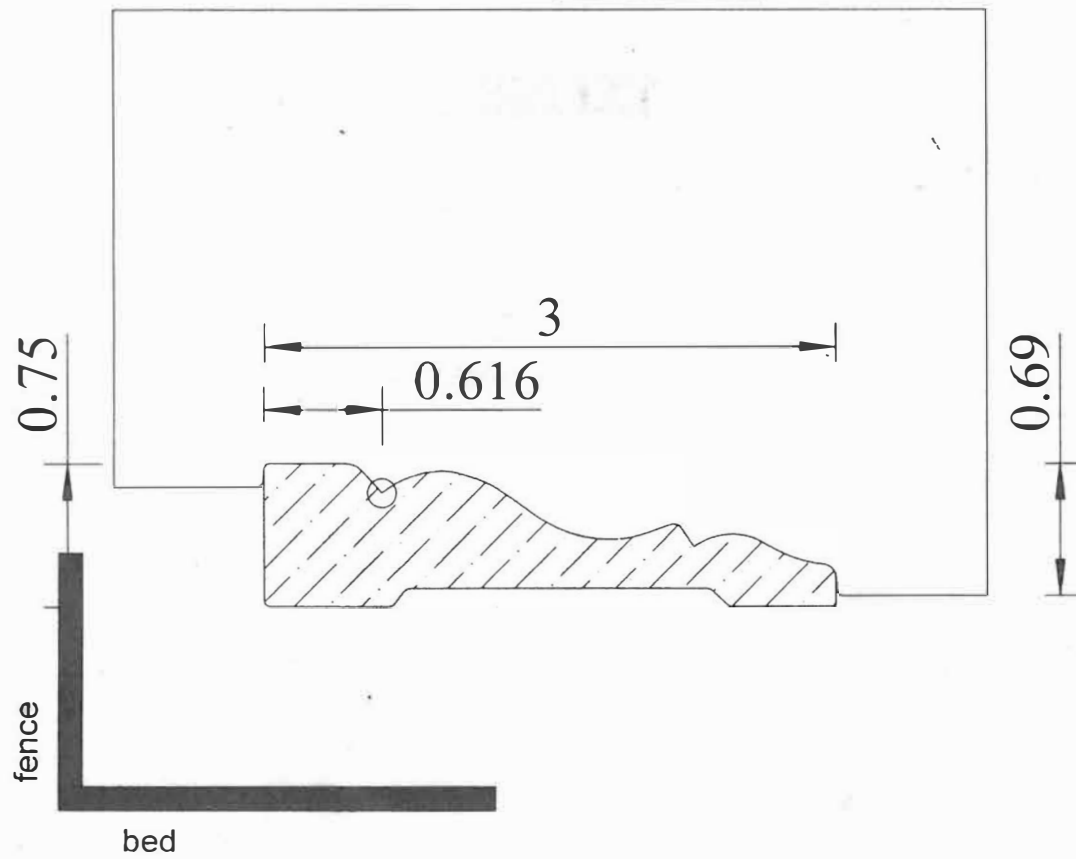


fence

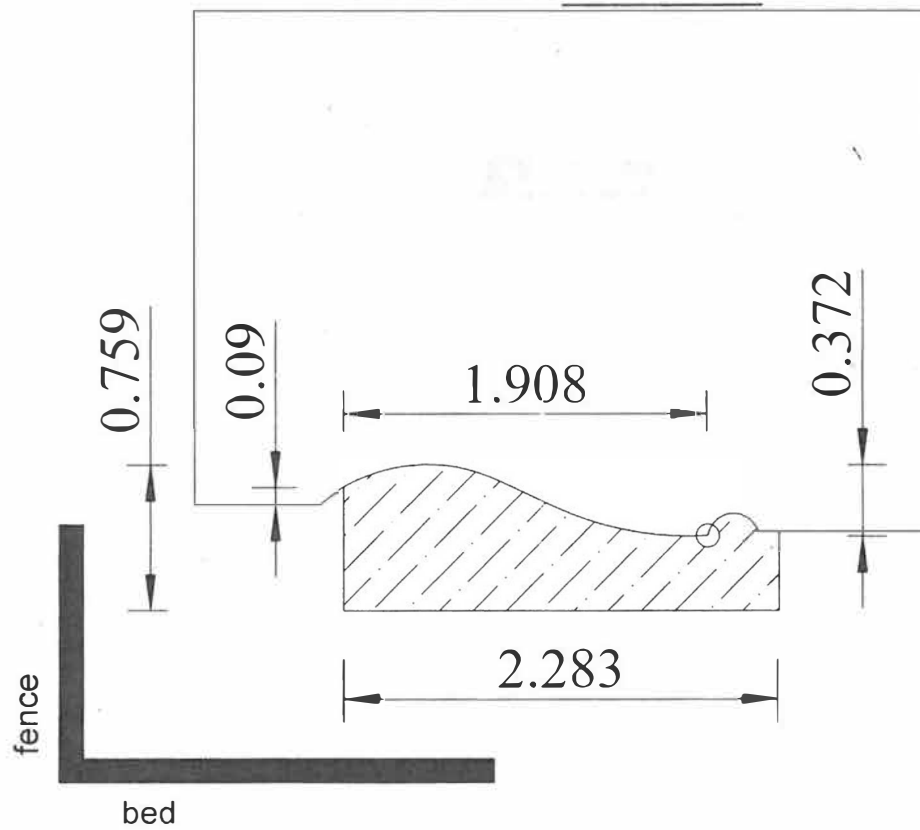
bed



Grid # C34



C-36



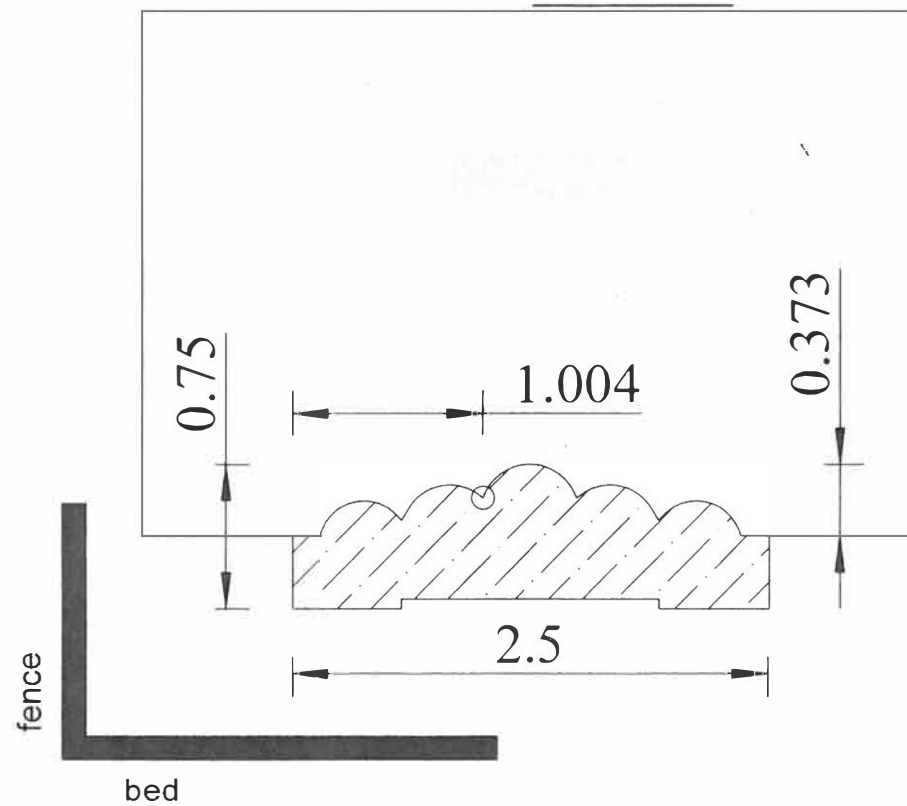


- EST 1938 -

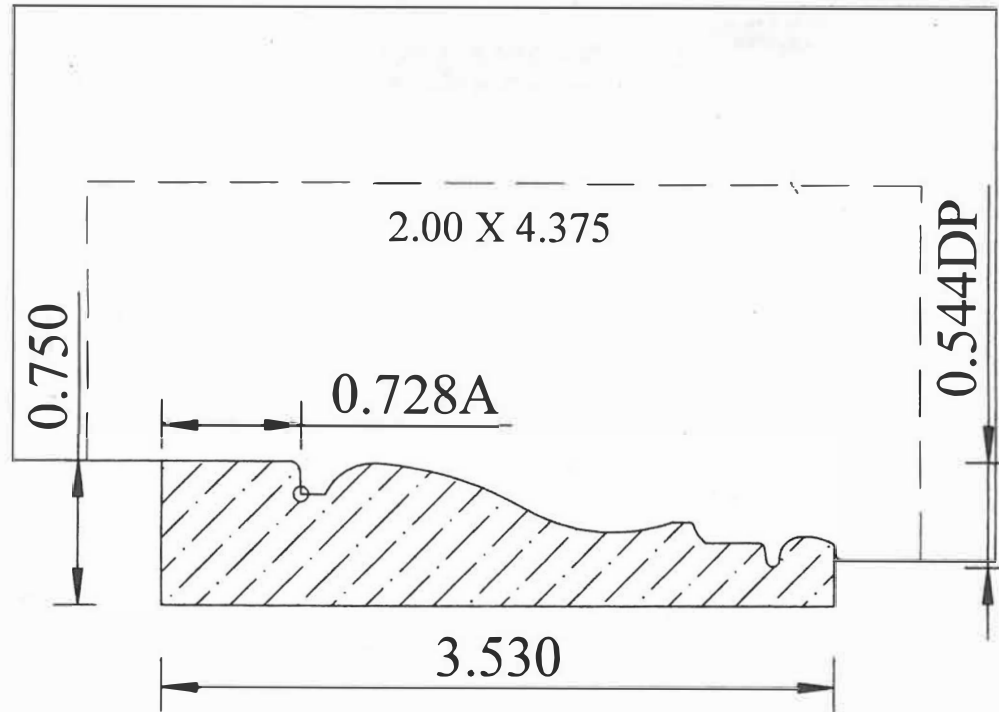
A. FILLINGER, INC.

MOULDING DIVISION

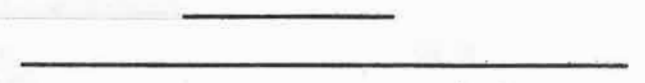
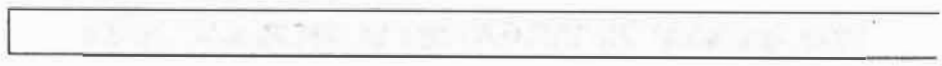
C-42



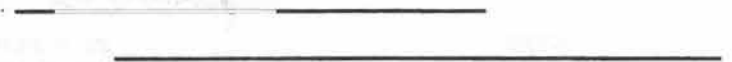
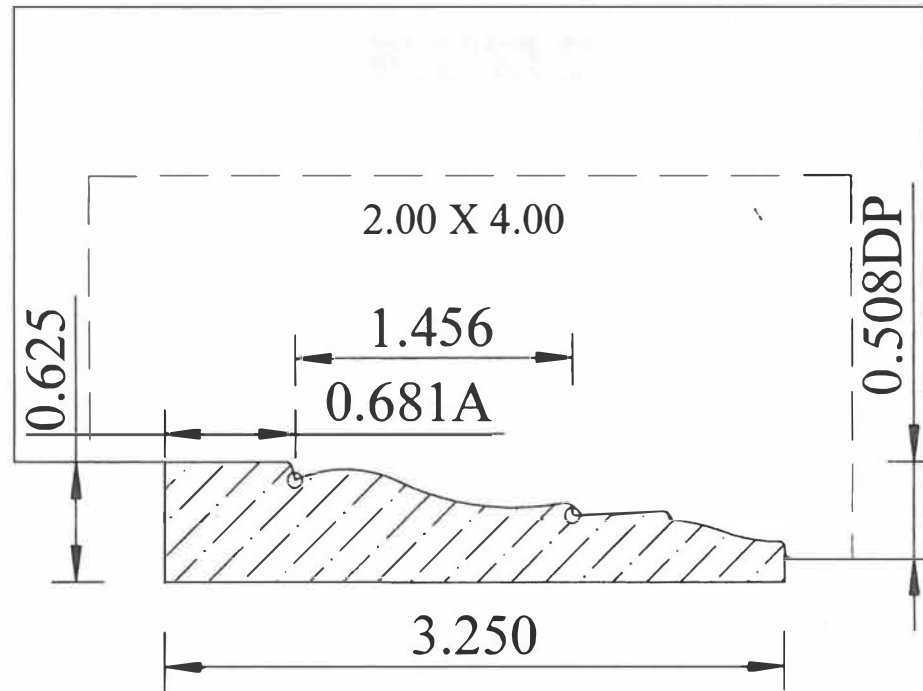
C-52



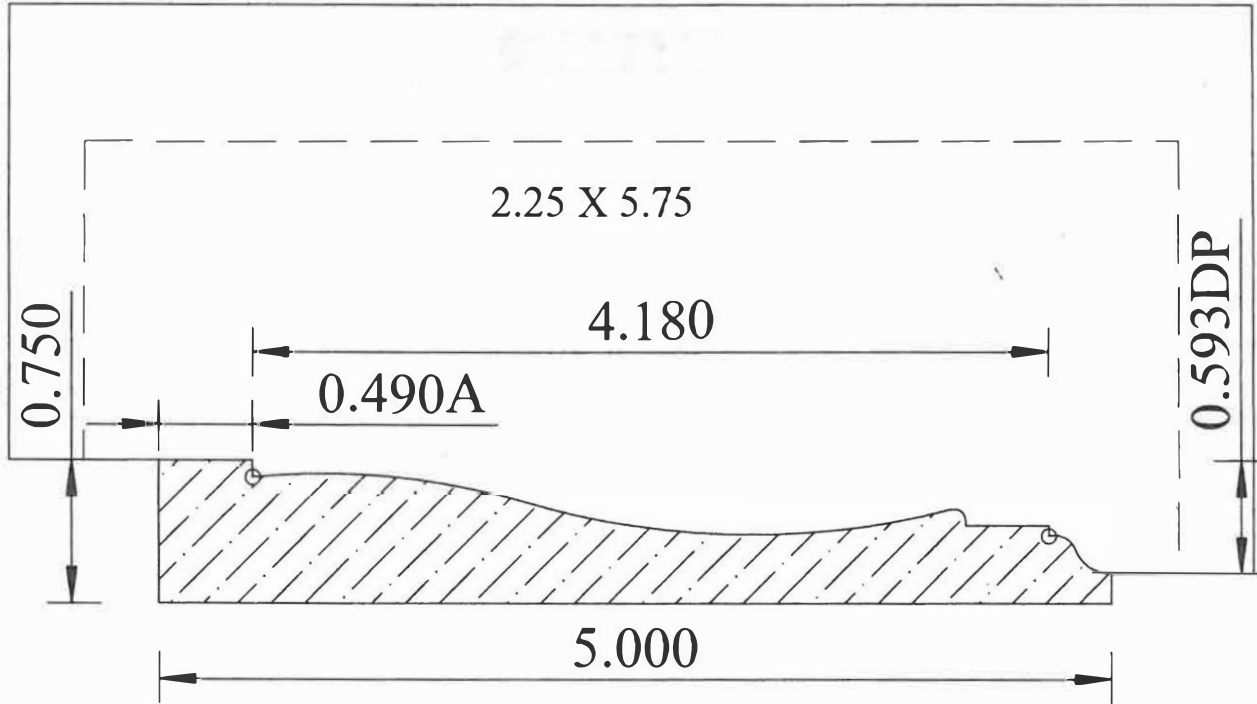
E



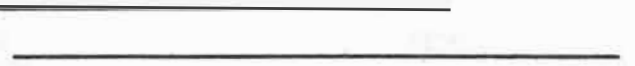
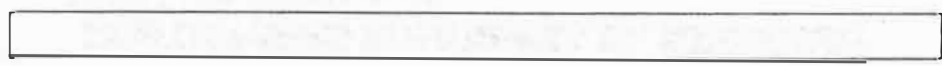
C-56



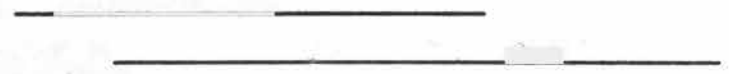
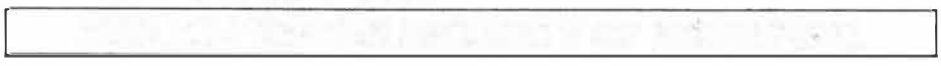
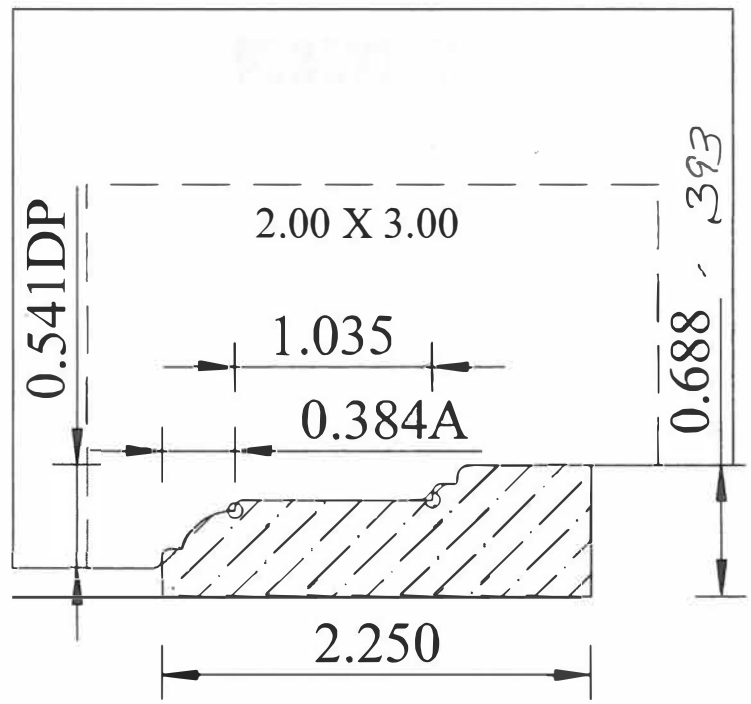
C-57



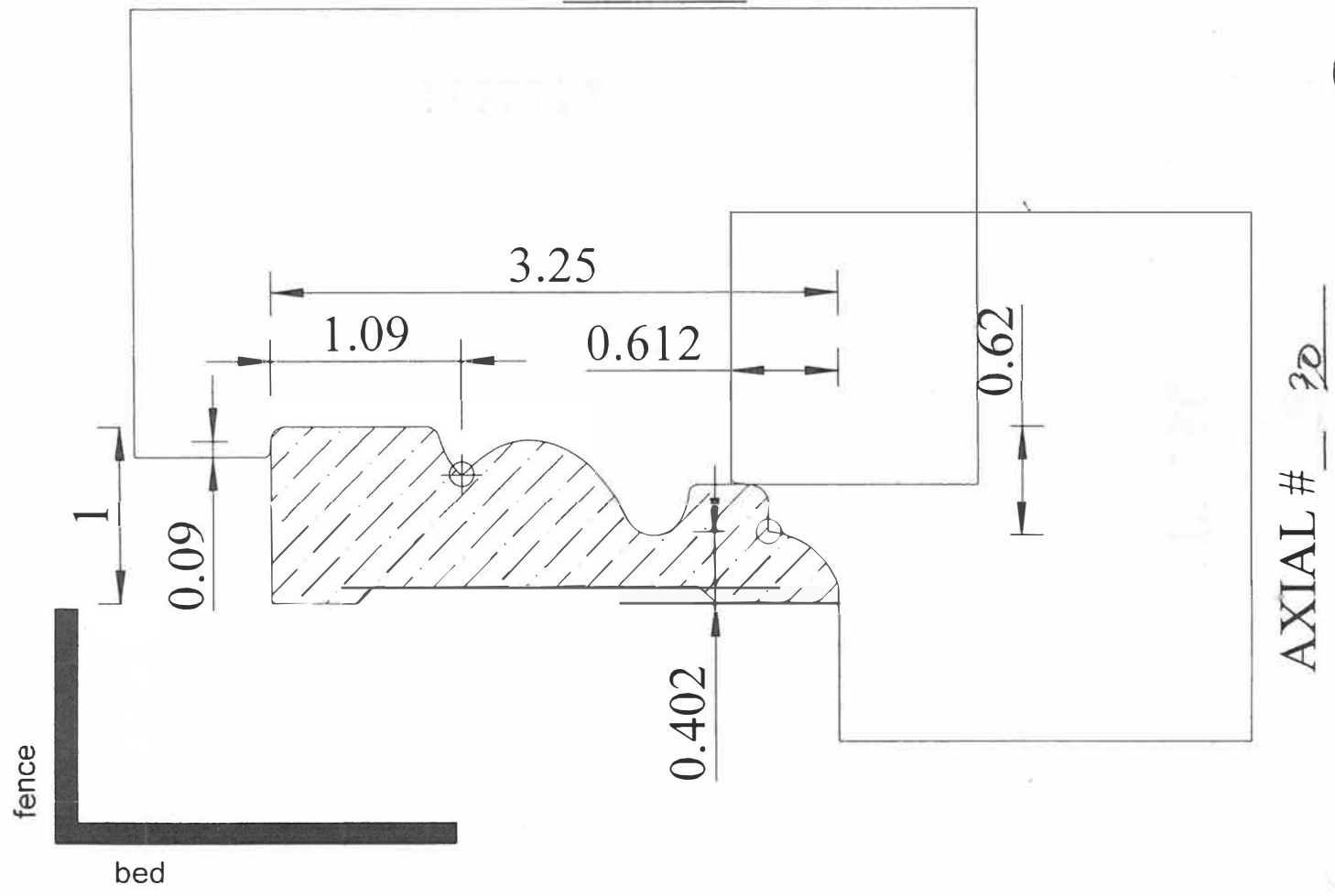
FENCE



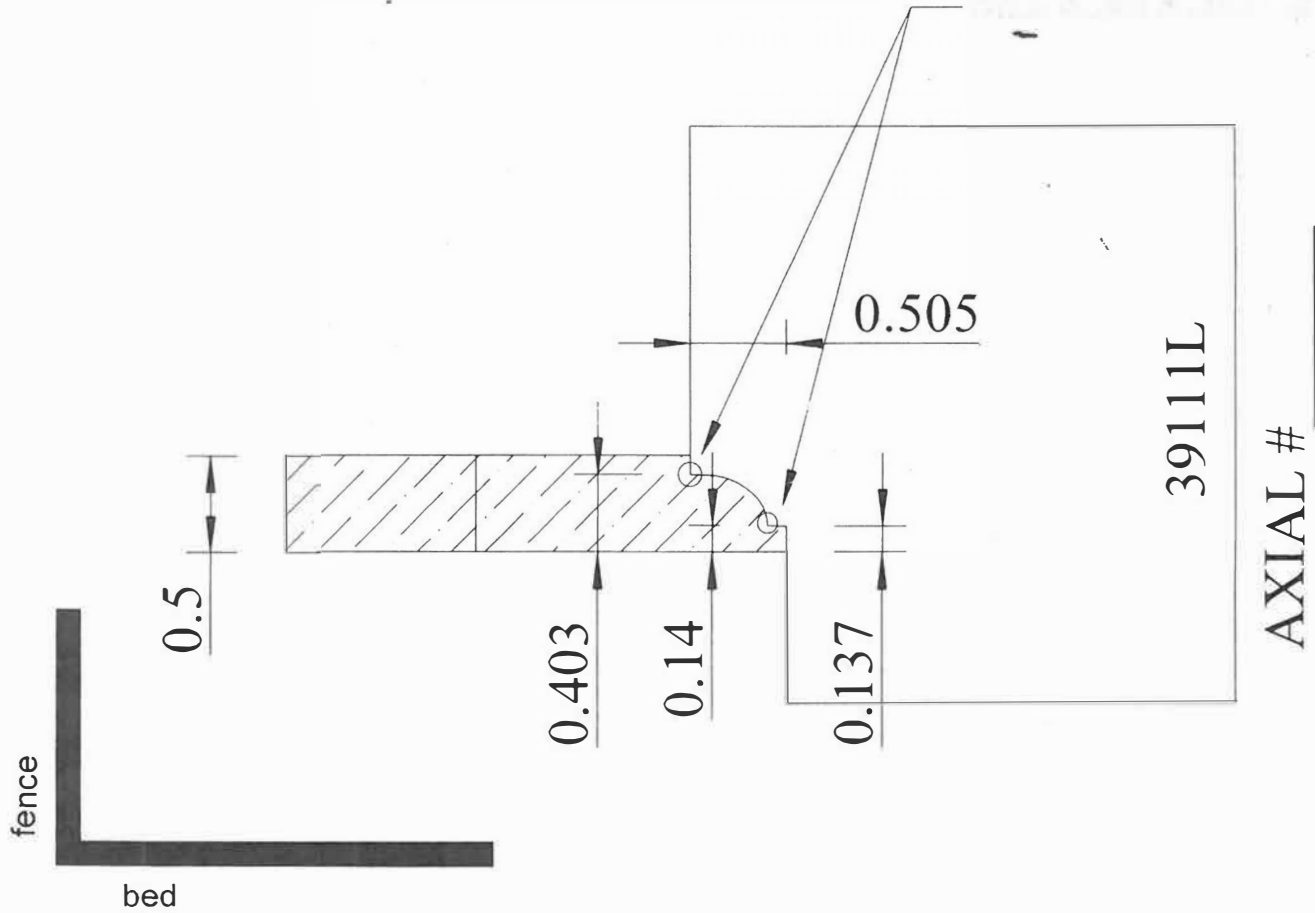
C-59



*Grid # 8
C6b*



C-67



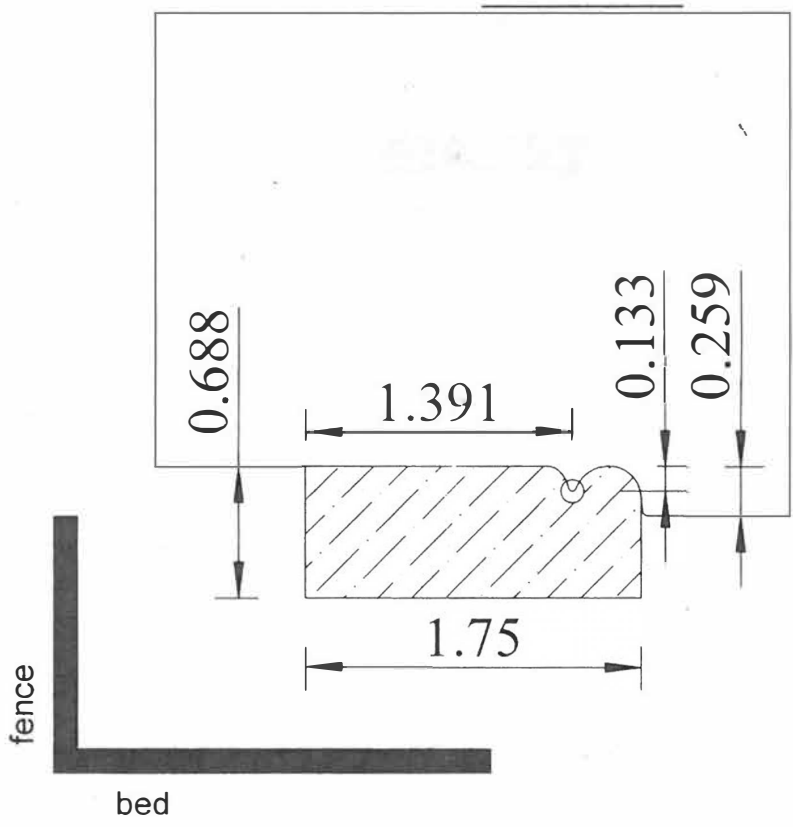


- EST 1938 -

A. FILLINGER, INC.

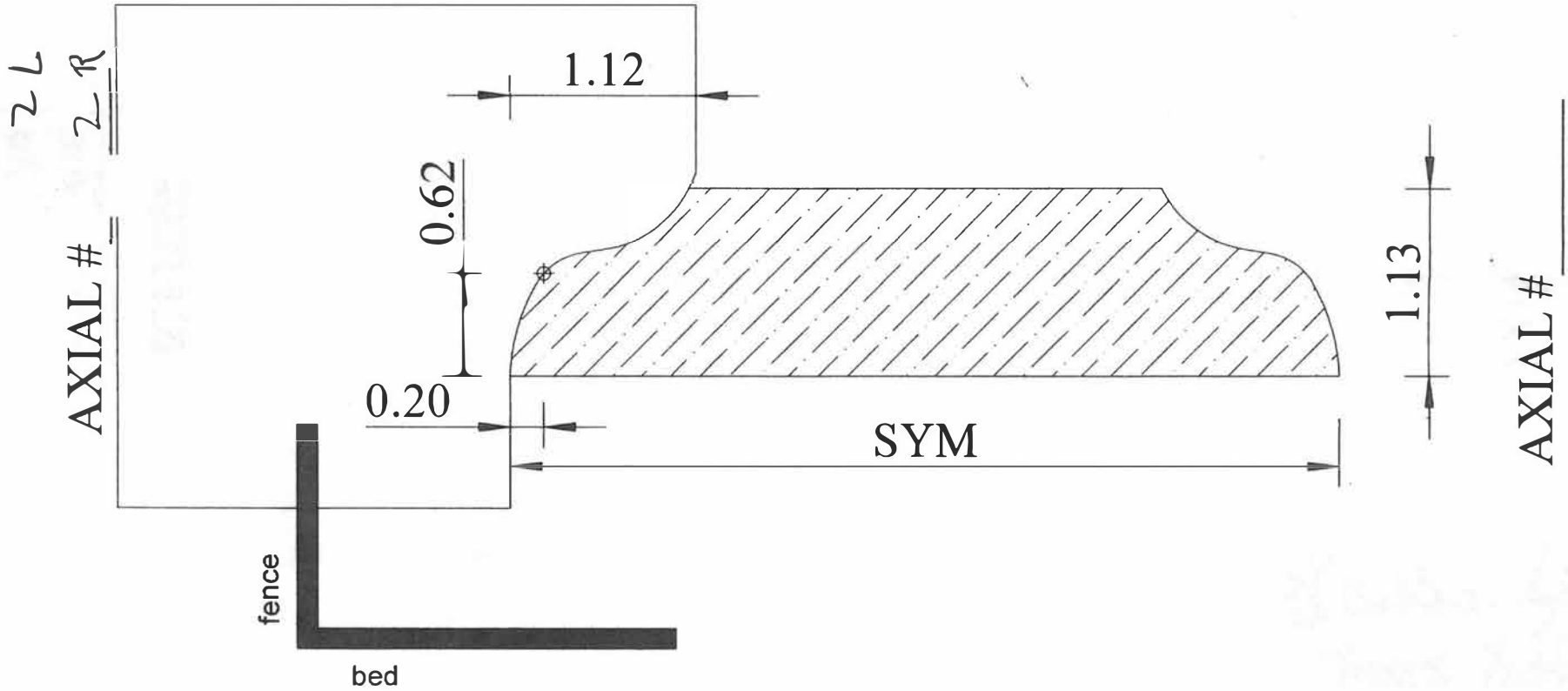
MOULDING DIVISION

C77

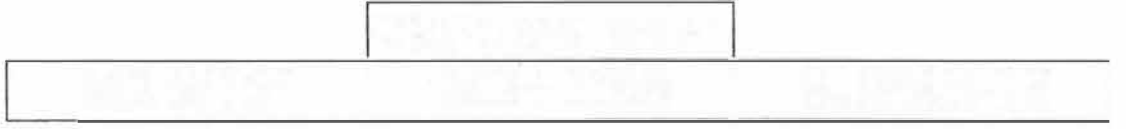
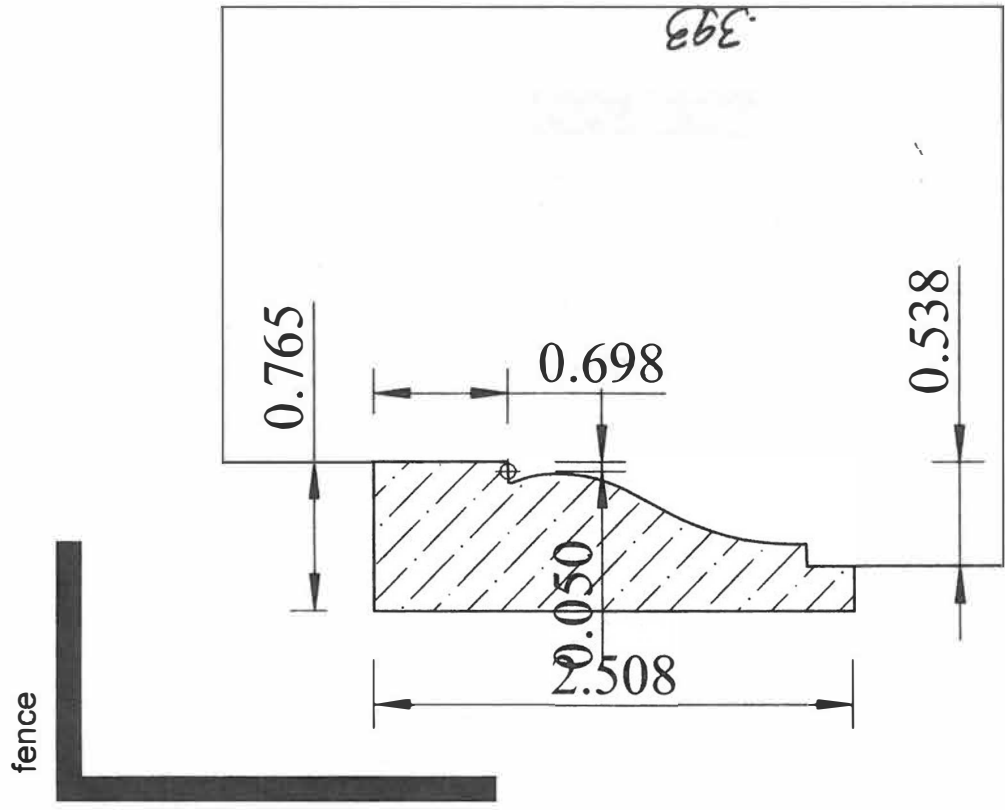


MOULDING DIVISION

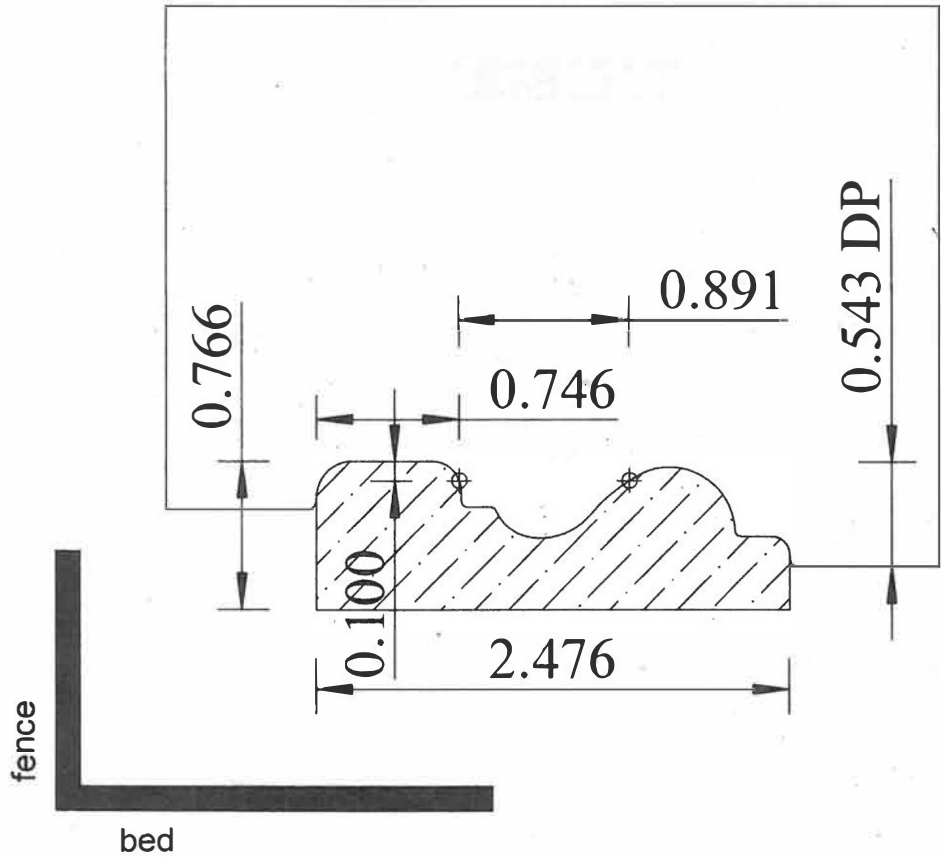
C-84

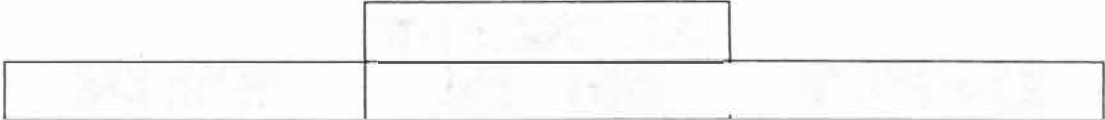


C-88

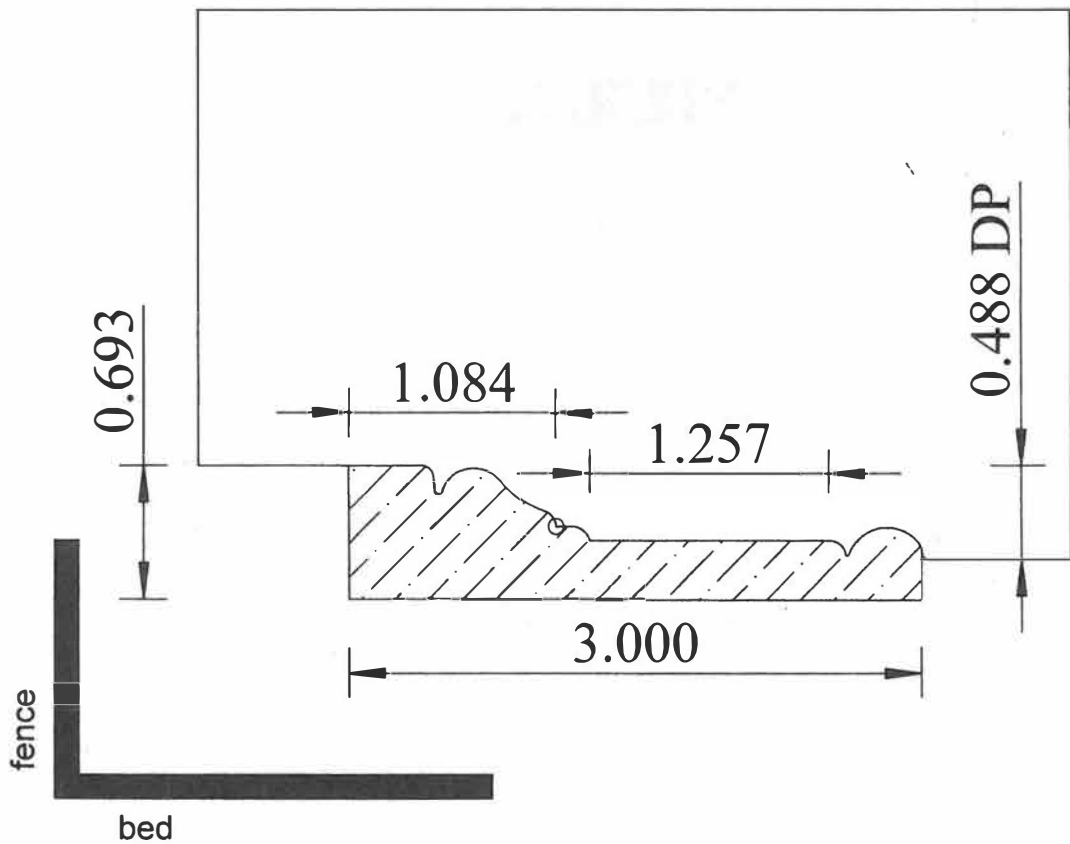


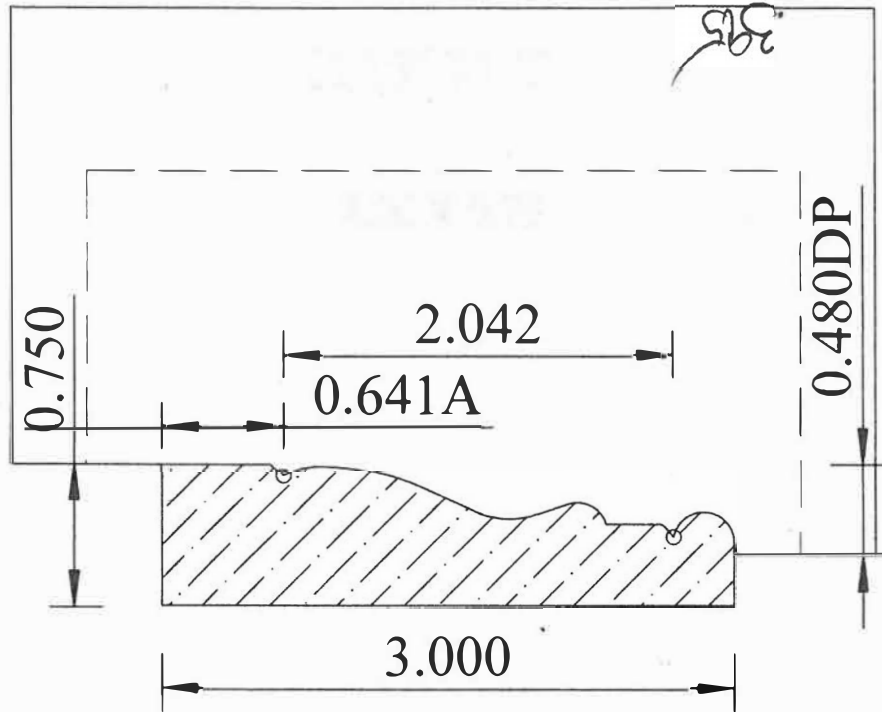
78-89



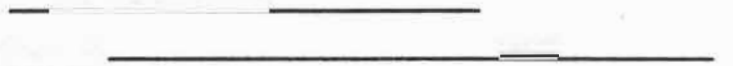
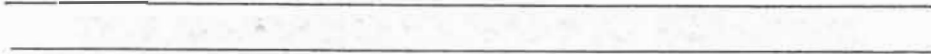


C-90

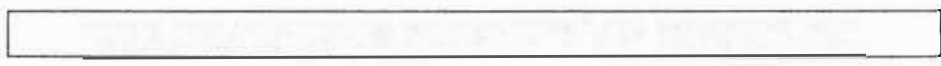
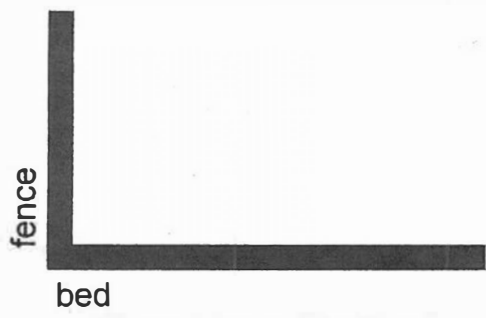
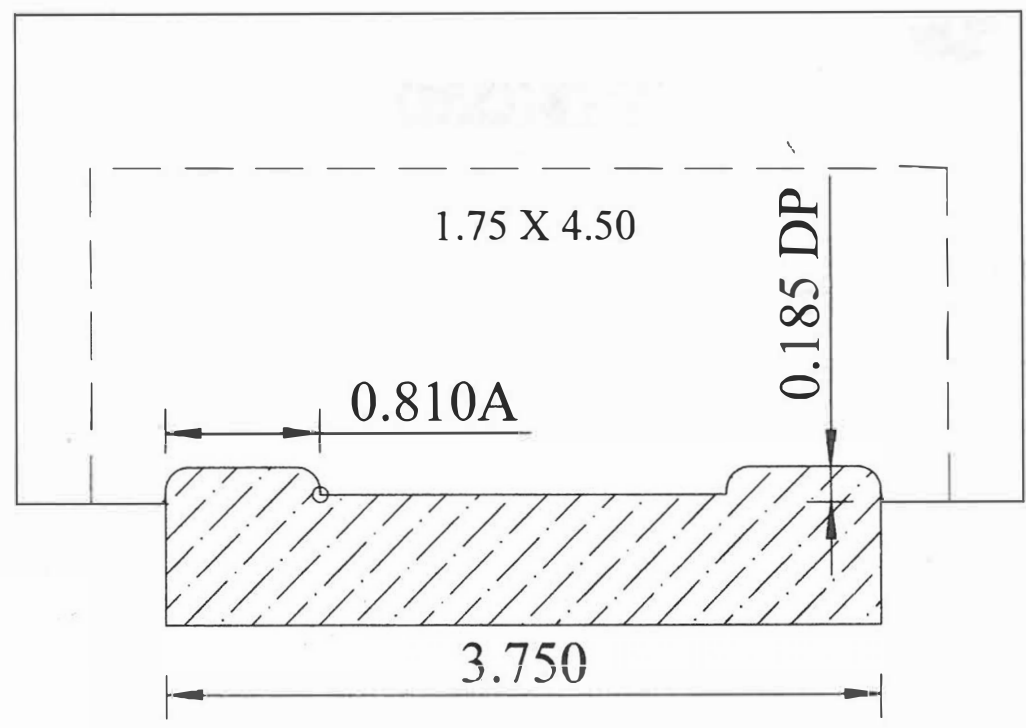




FENCE

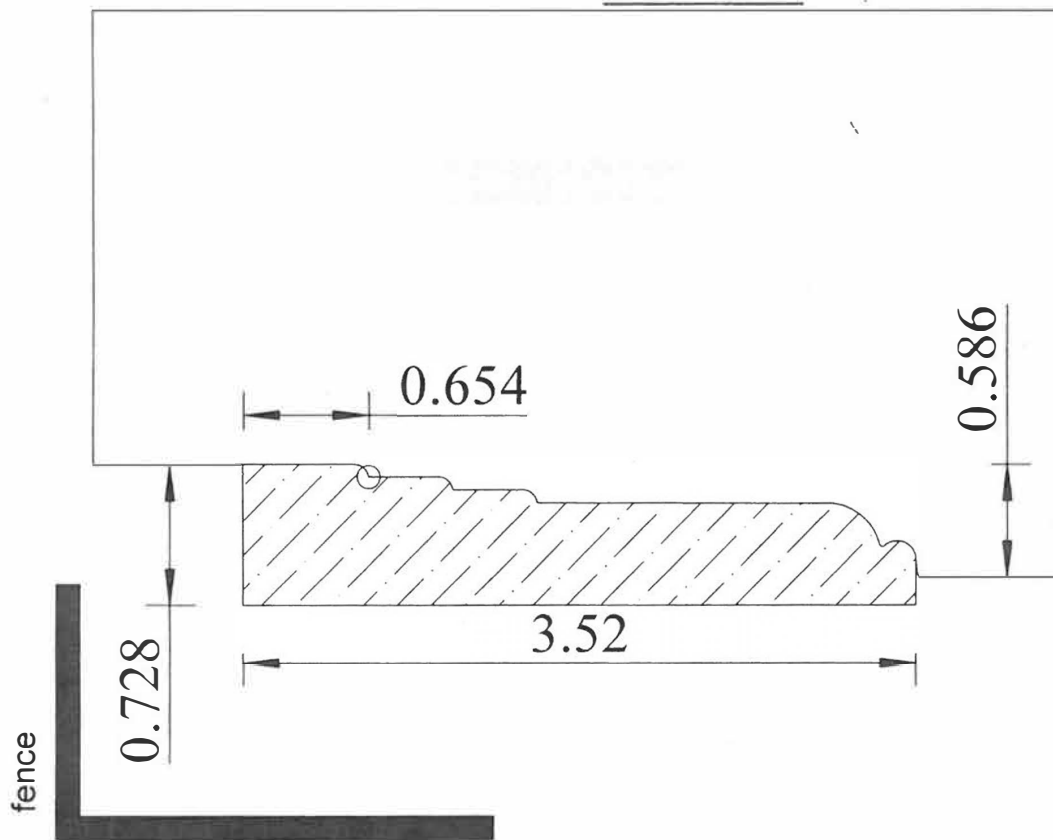


D-57

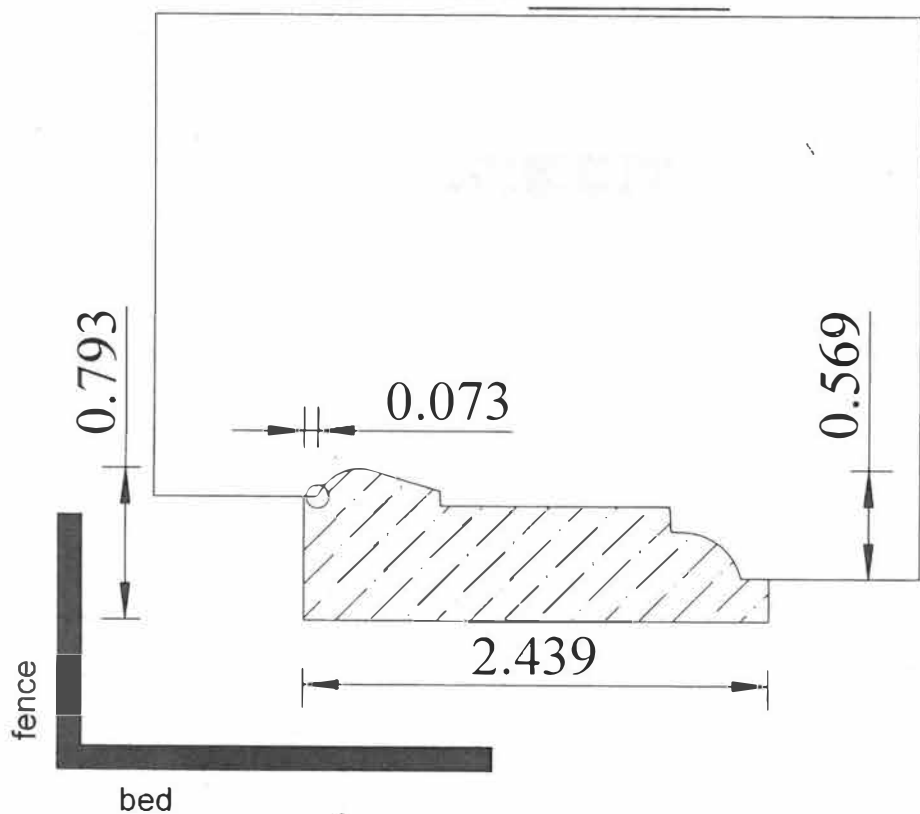


D-63

D-63



D-64

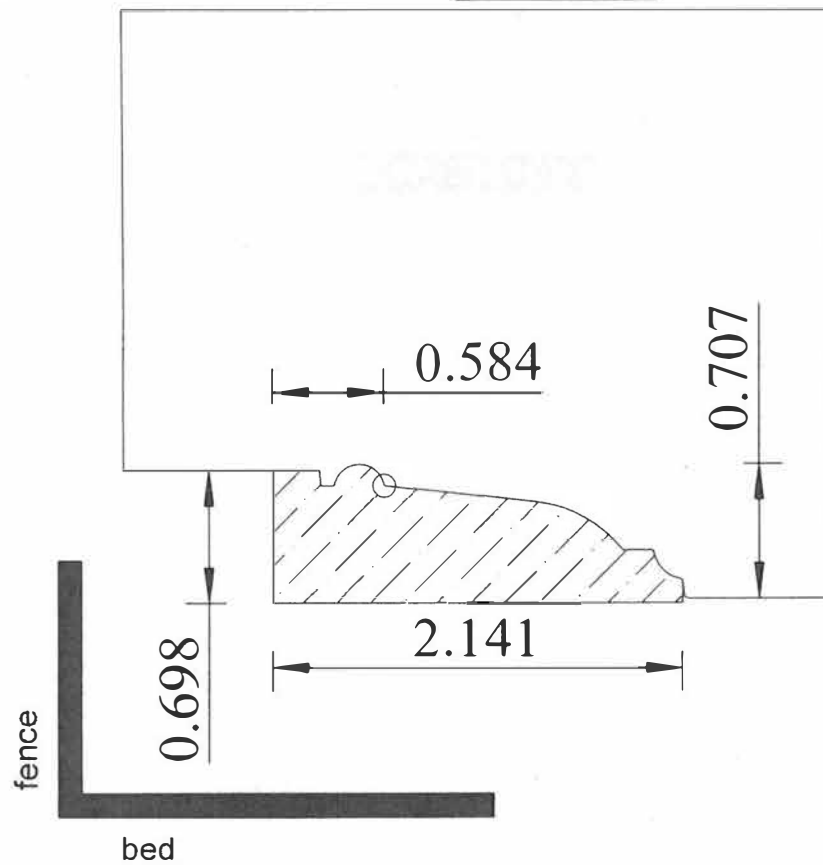


FILLINGER

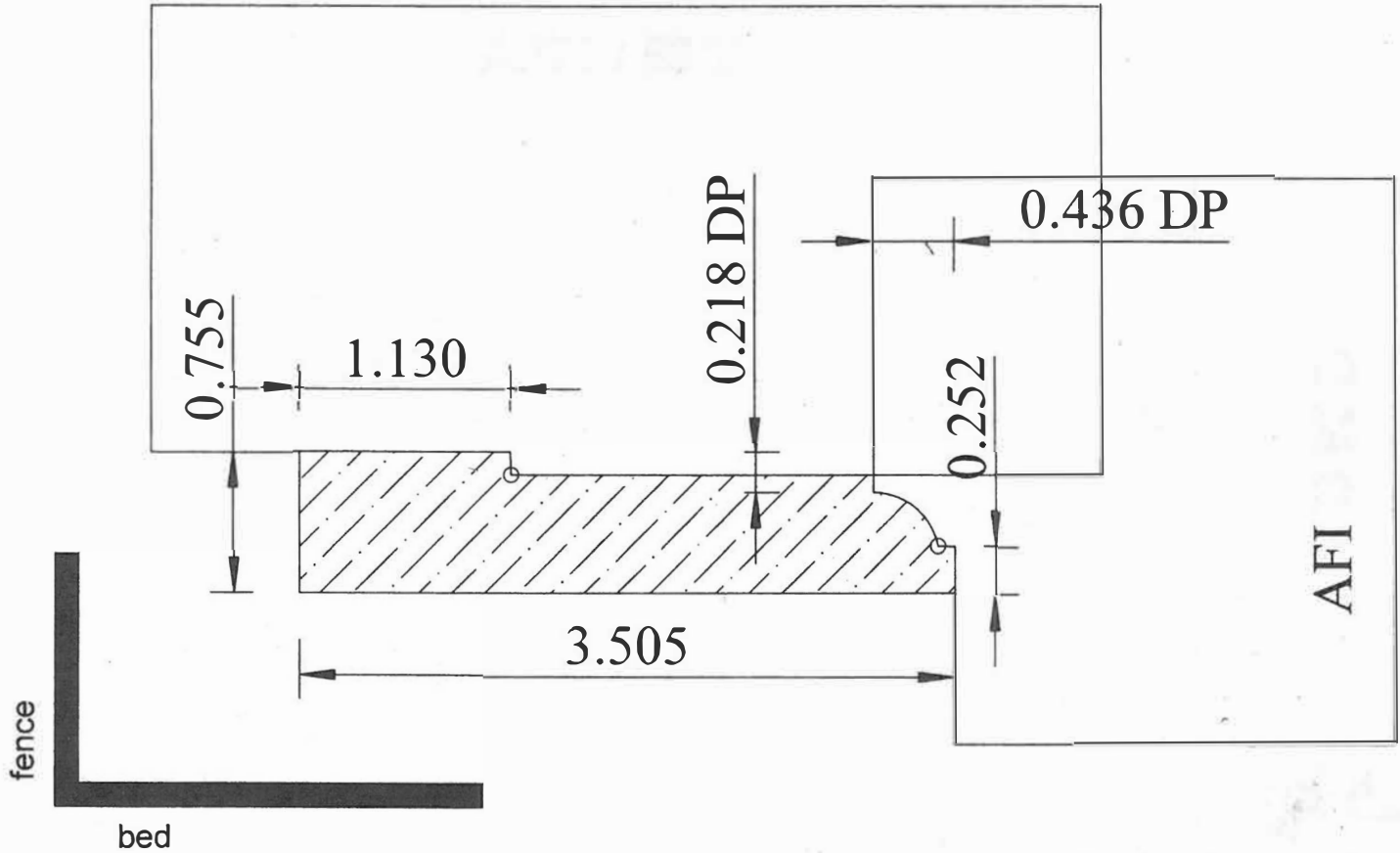
D-66



D-66

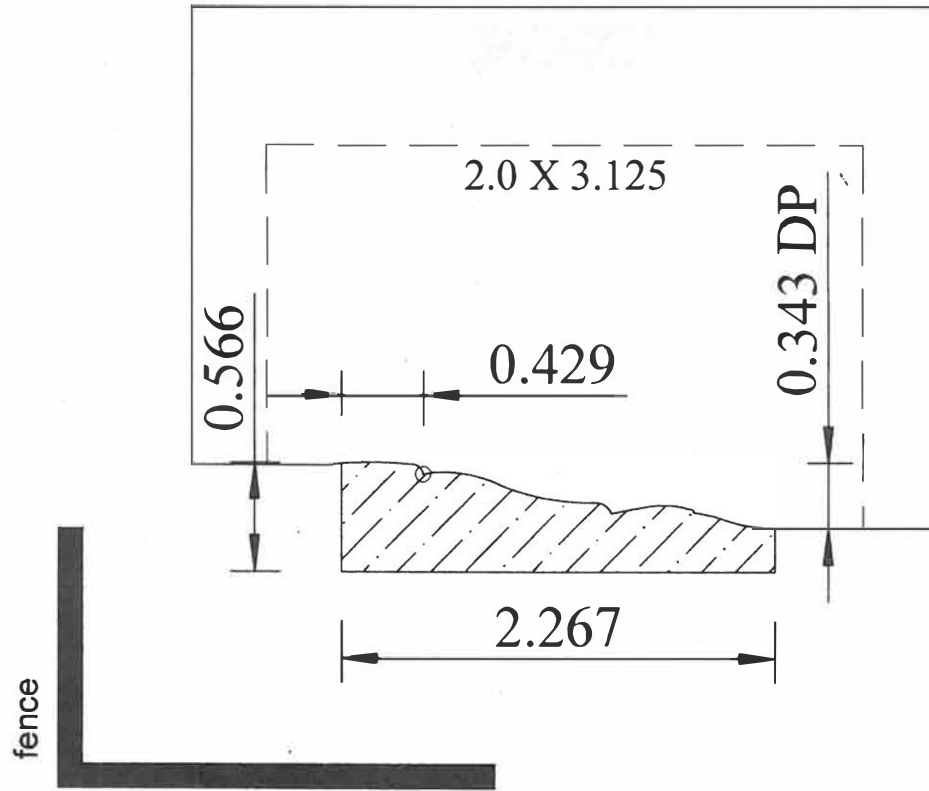


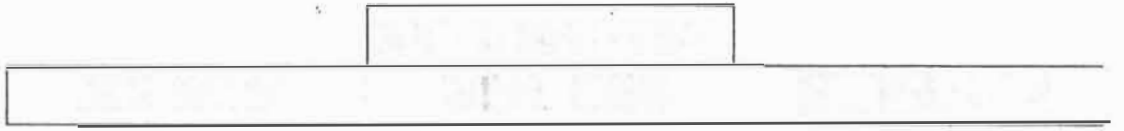
D-80



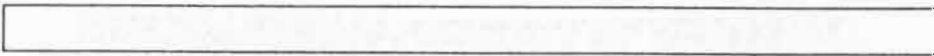
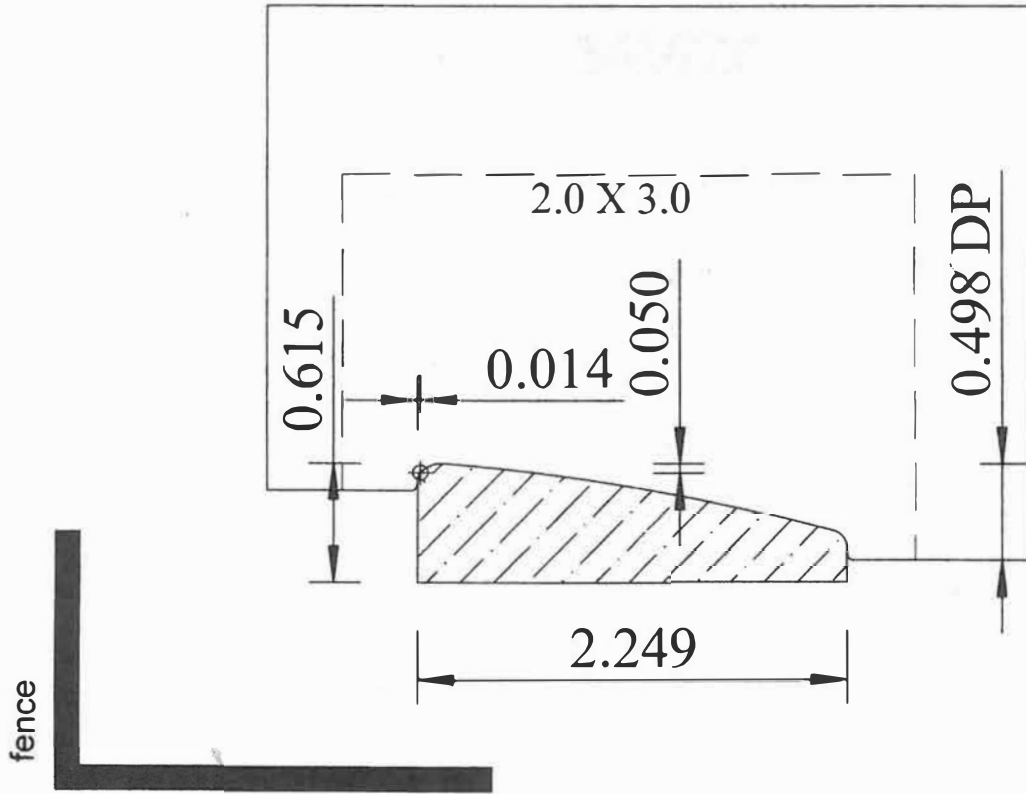
D-80

D-94

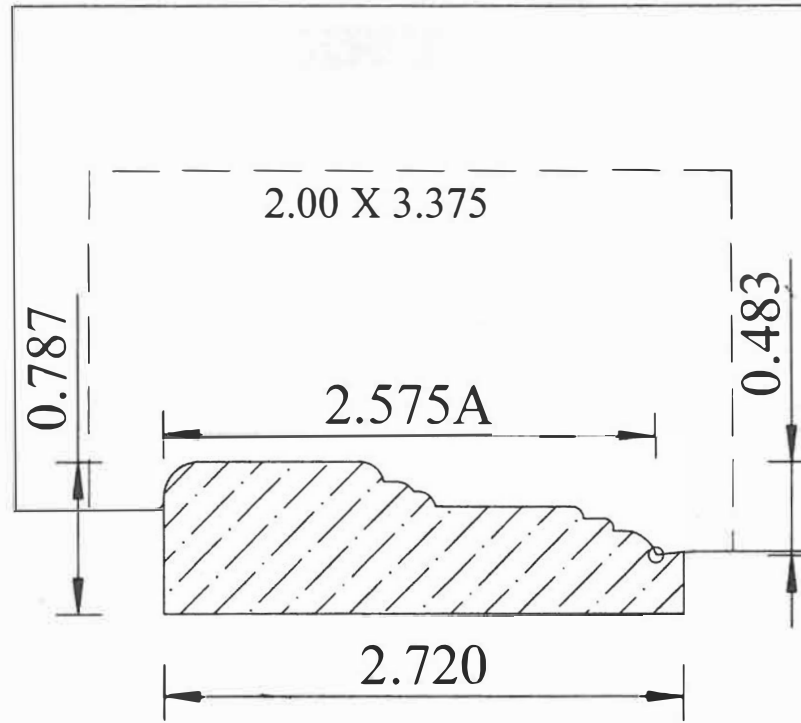




D-95



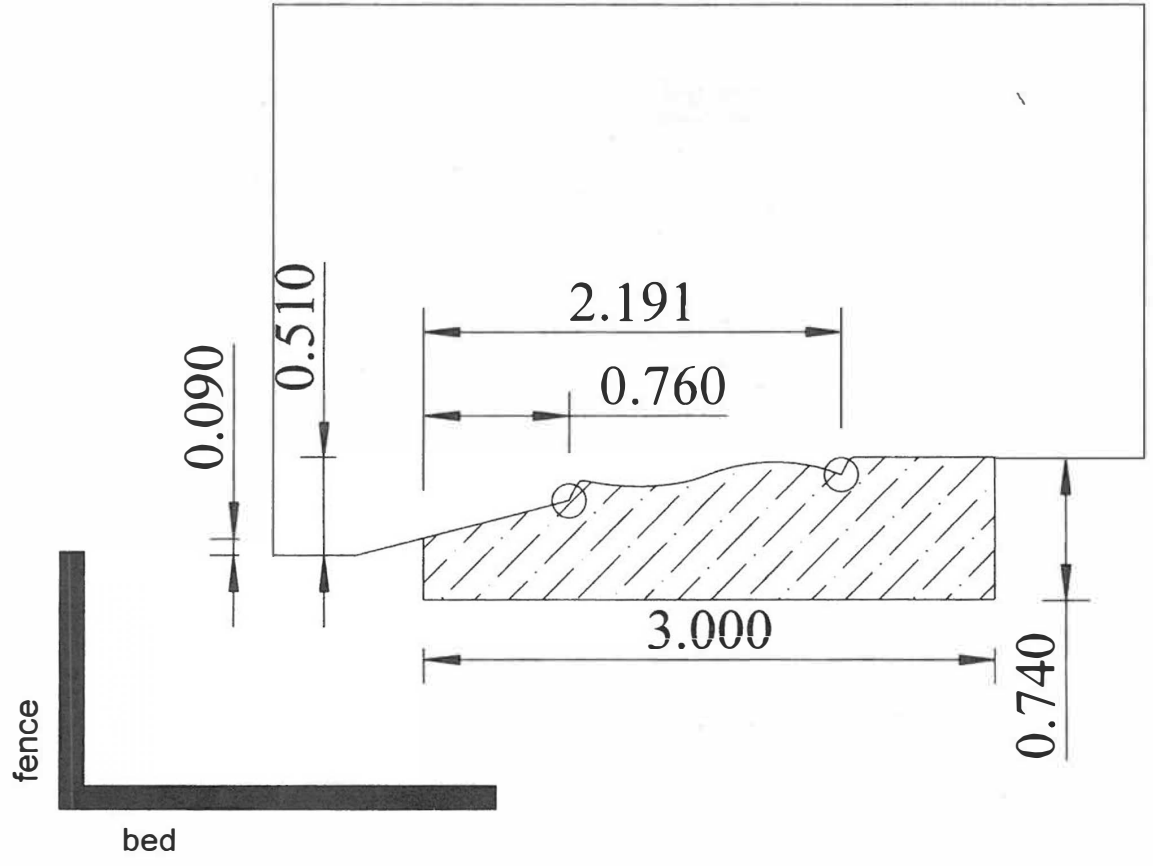
E-39



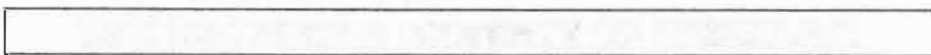
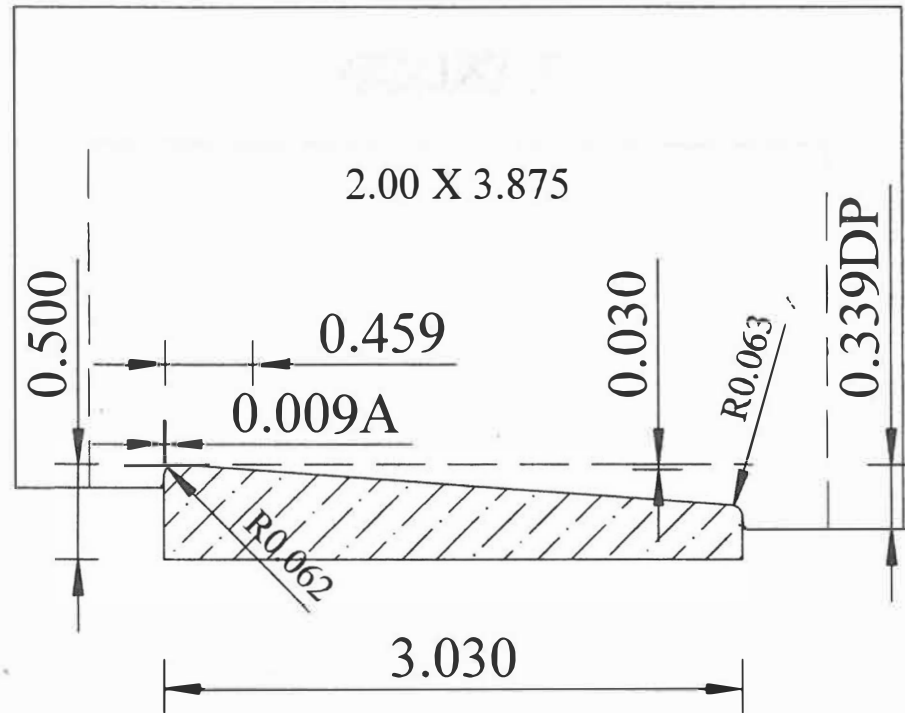
fence



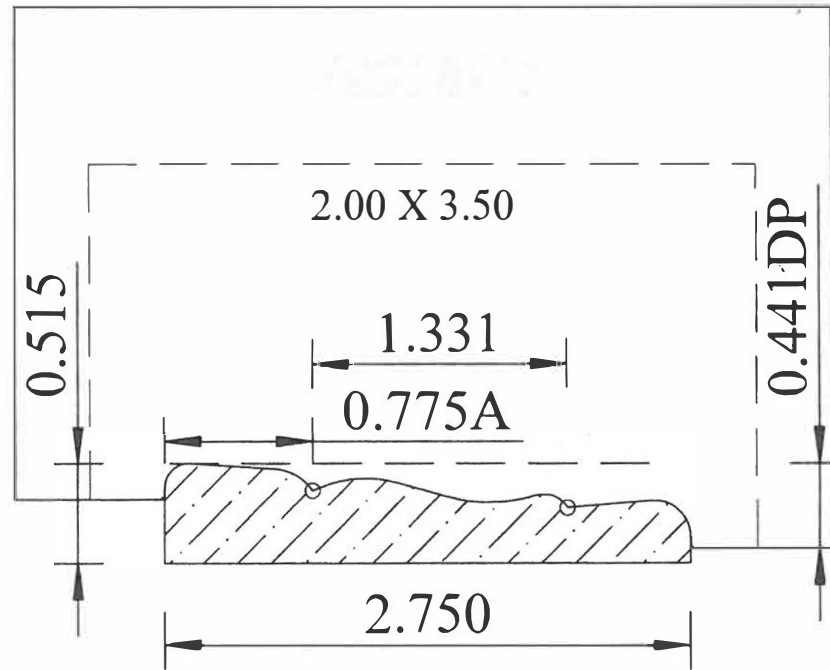
E-51



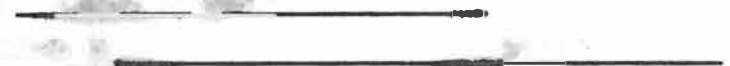
E-53



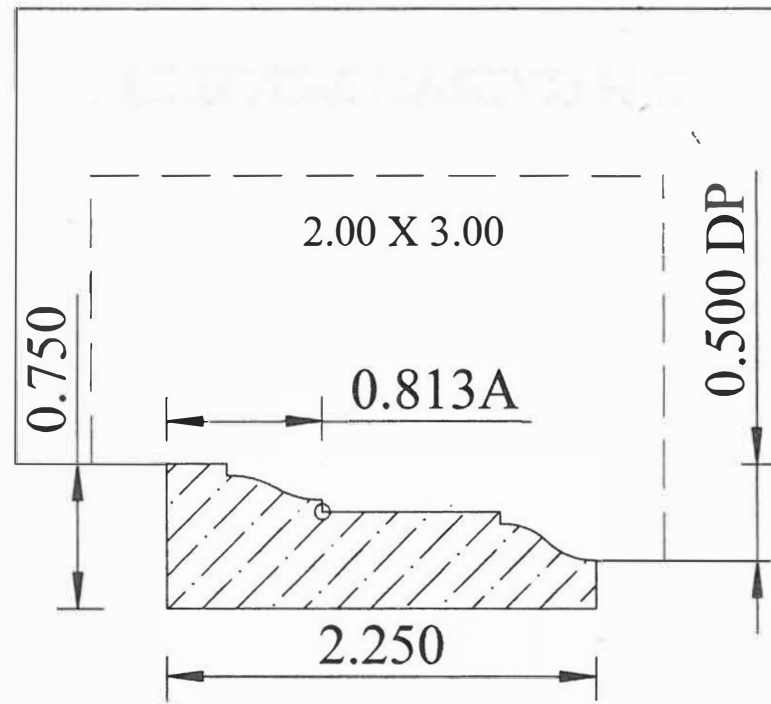
E-54



FENCE



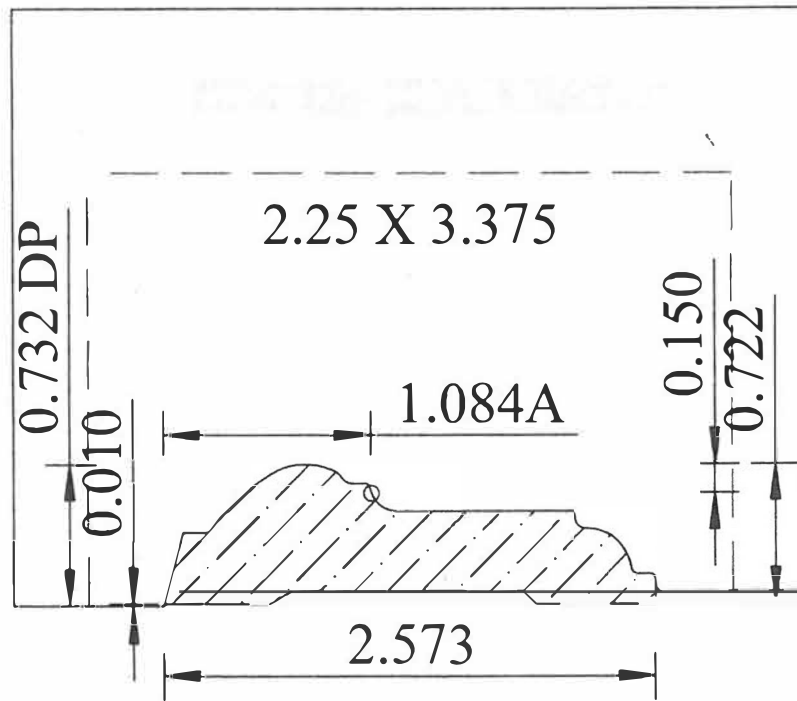
E-55T



fence



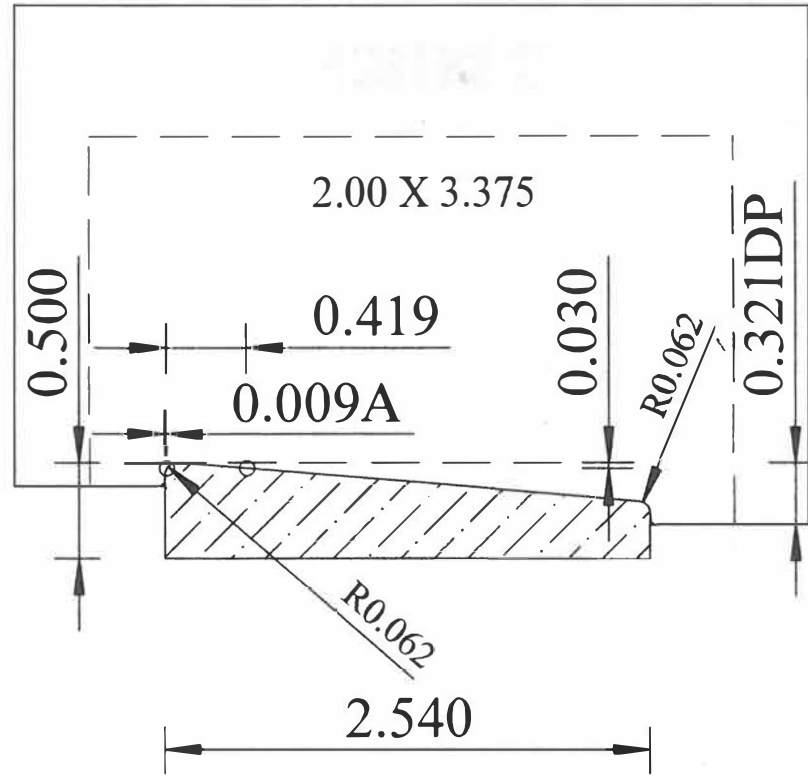
E-56



fence



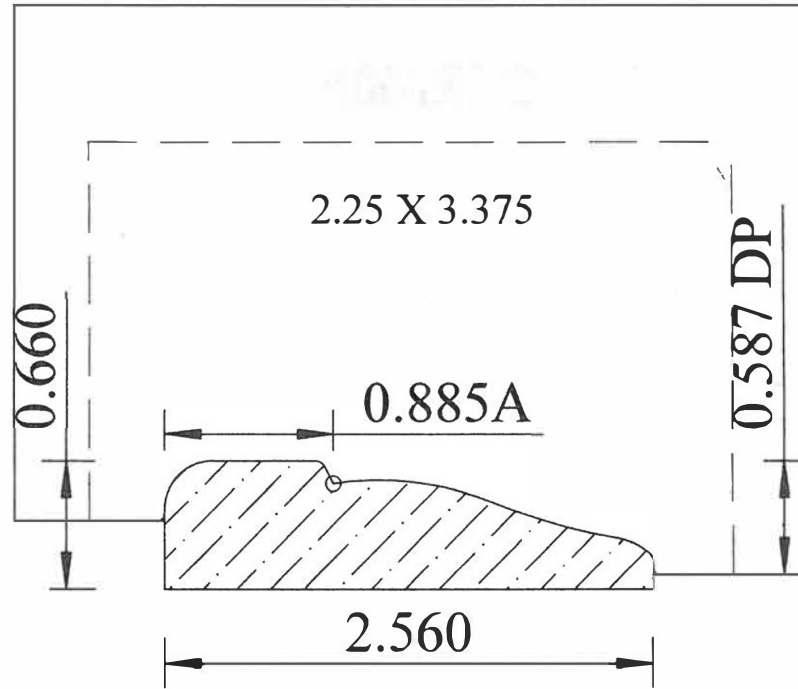
E-57



CE



E-58

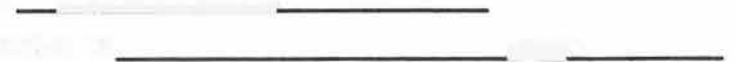
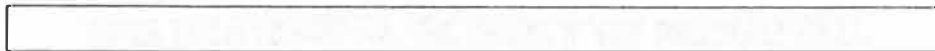
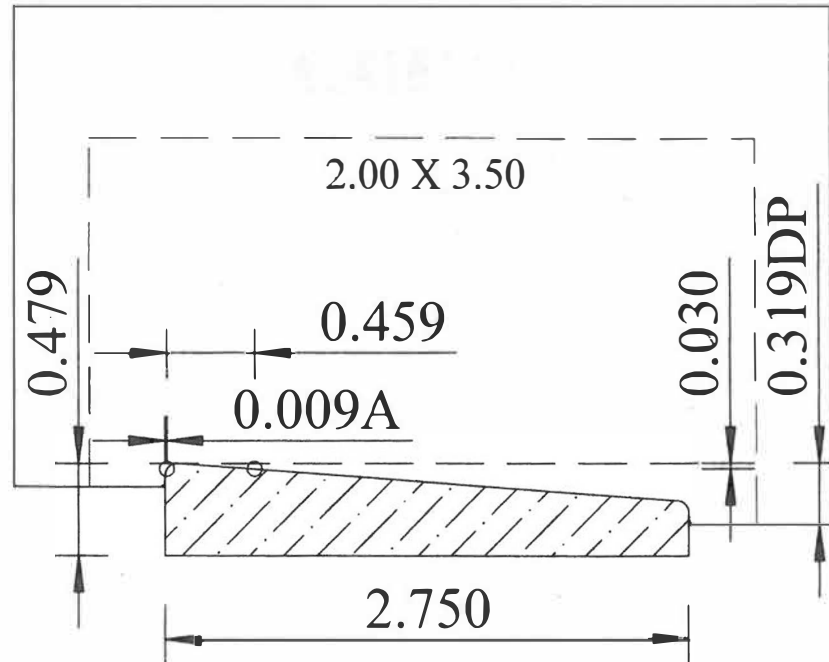


fence

bed

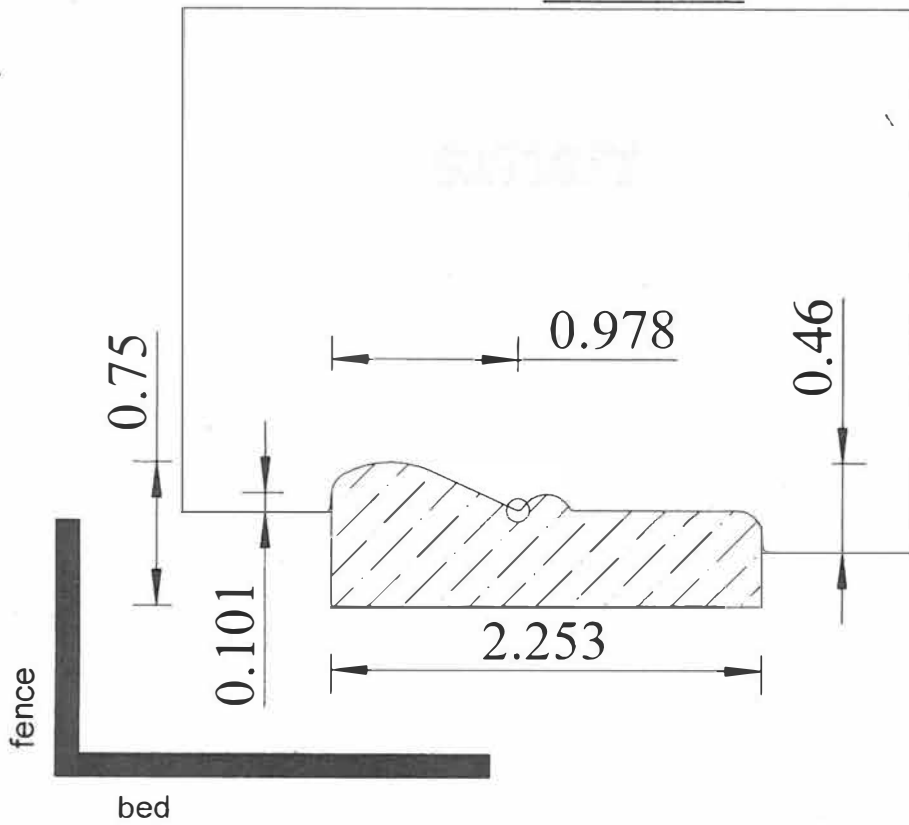


E-62

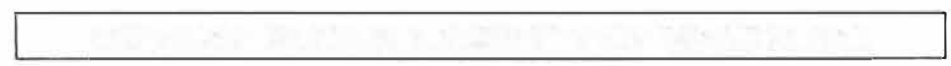
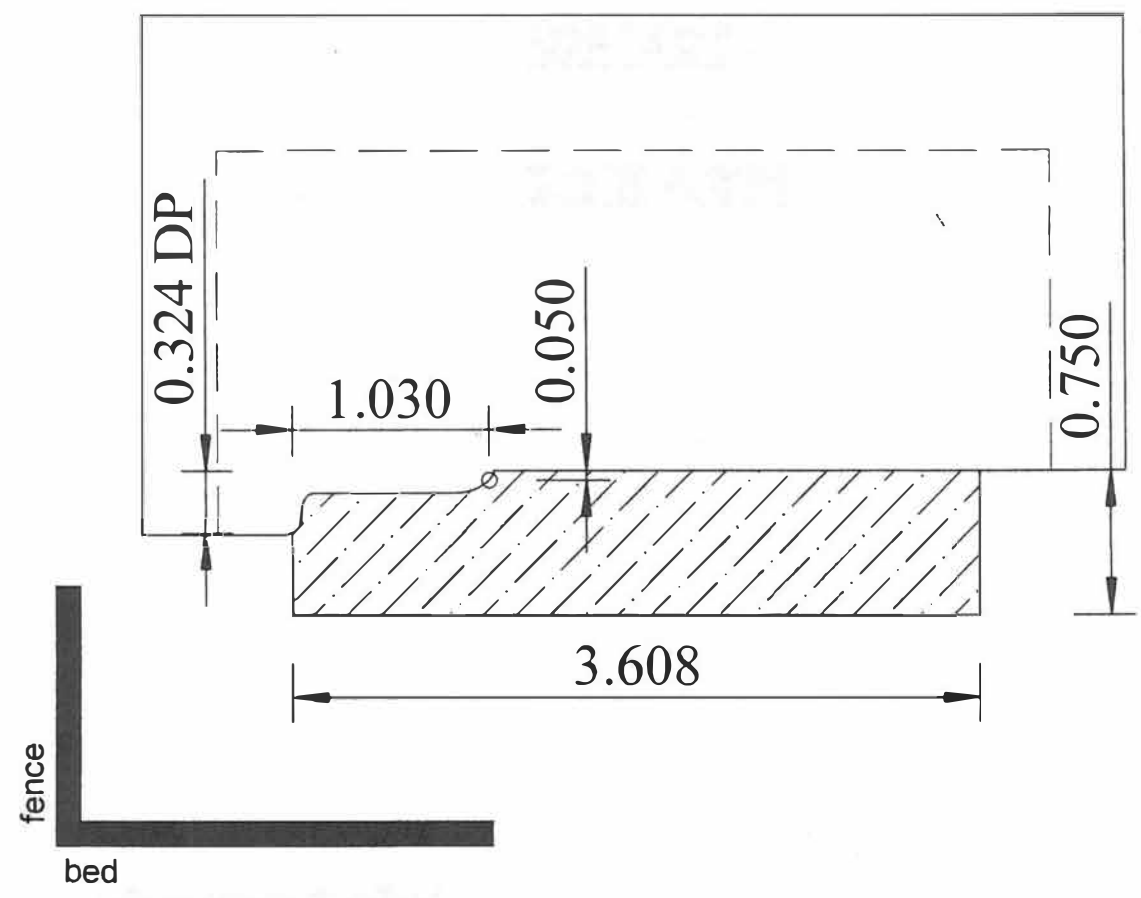


E-65

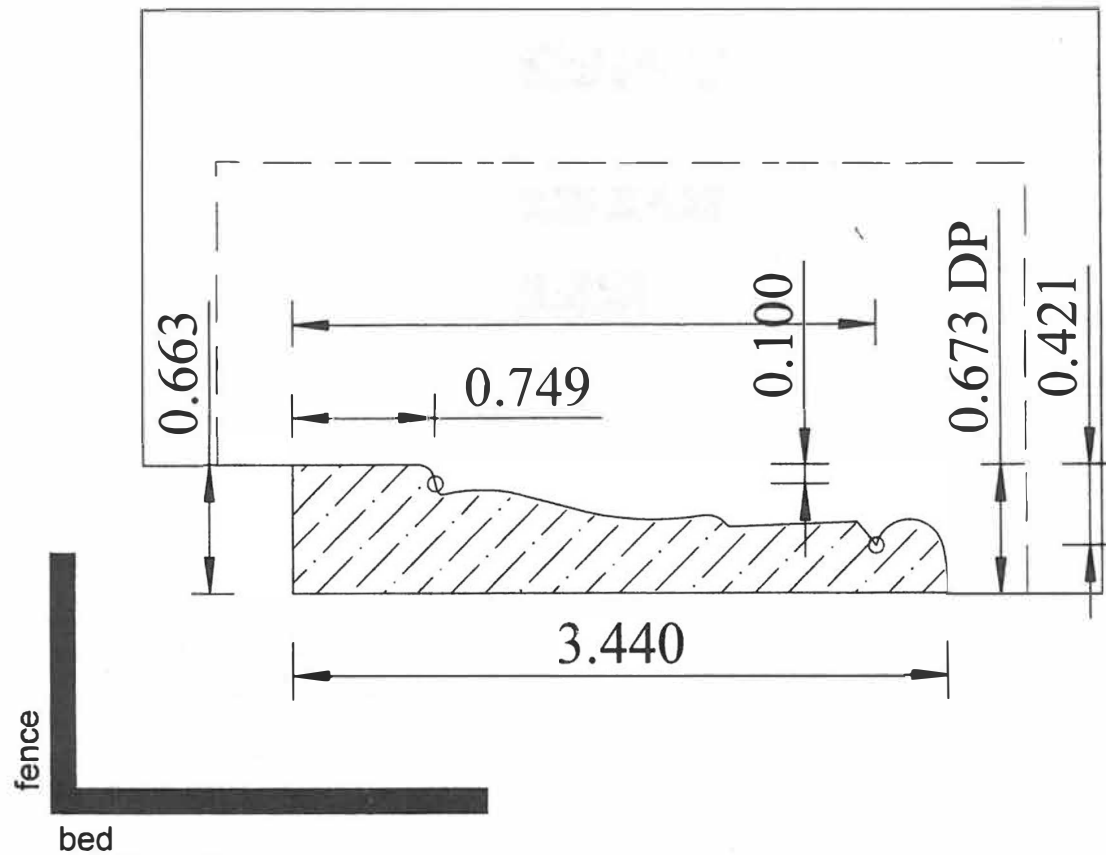
E-65



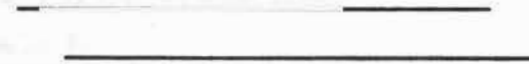
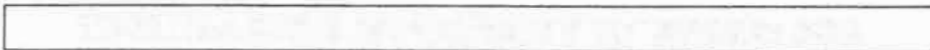
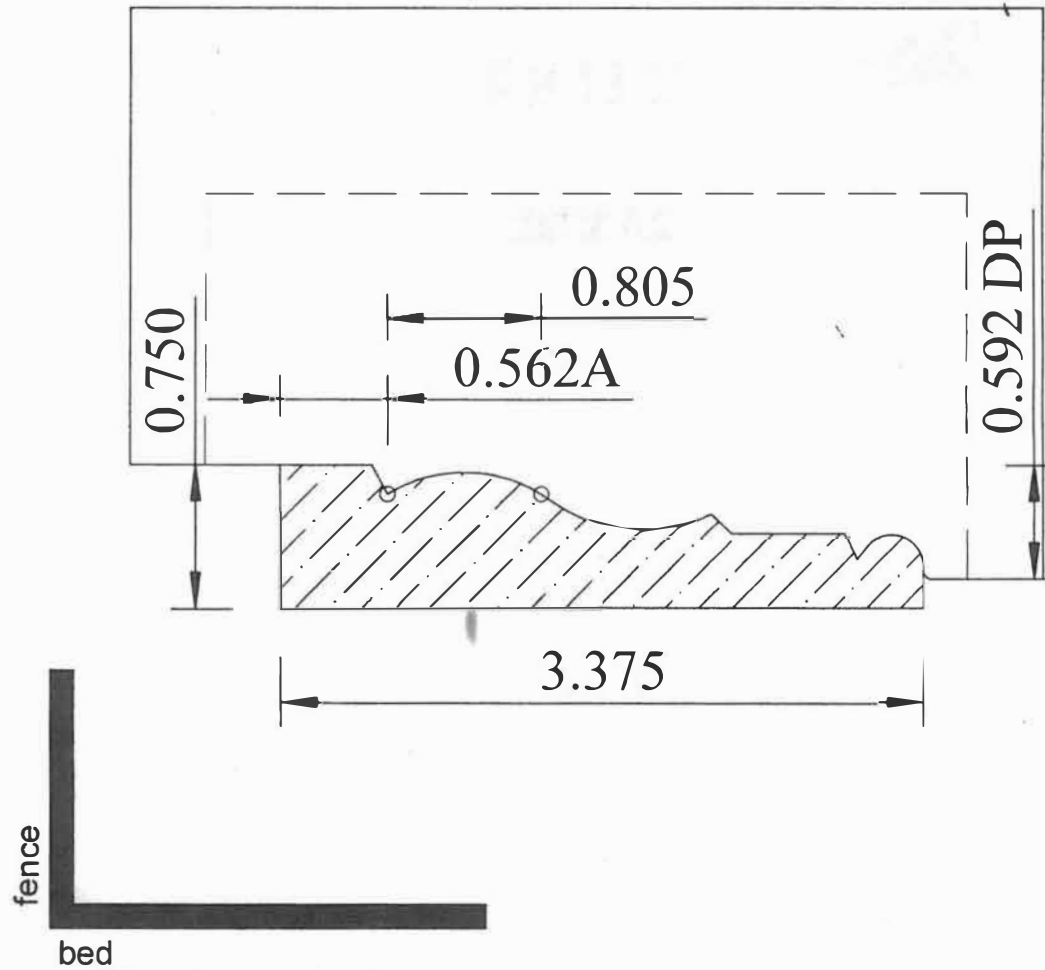
E-90



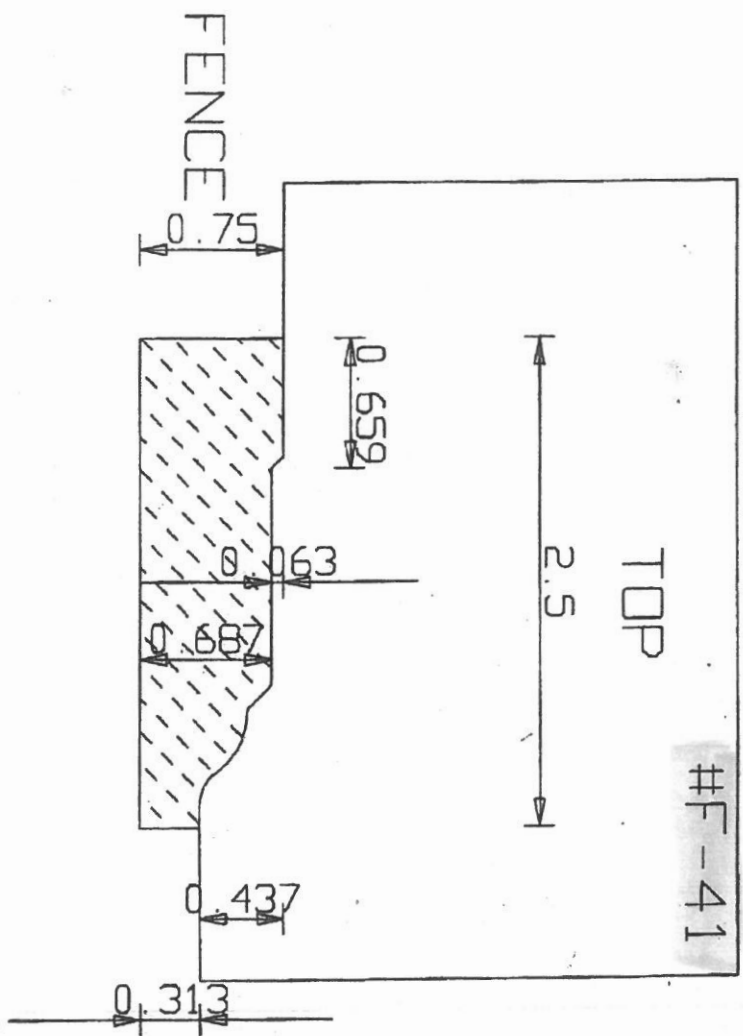
E-92



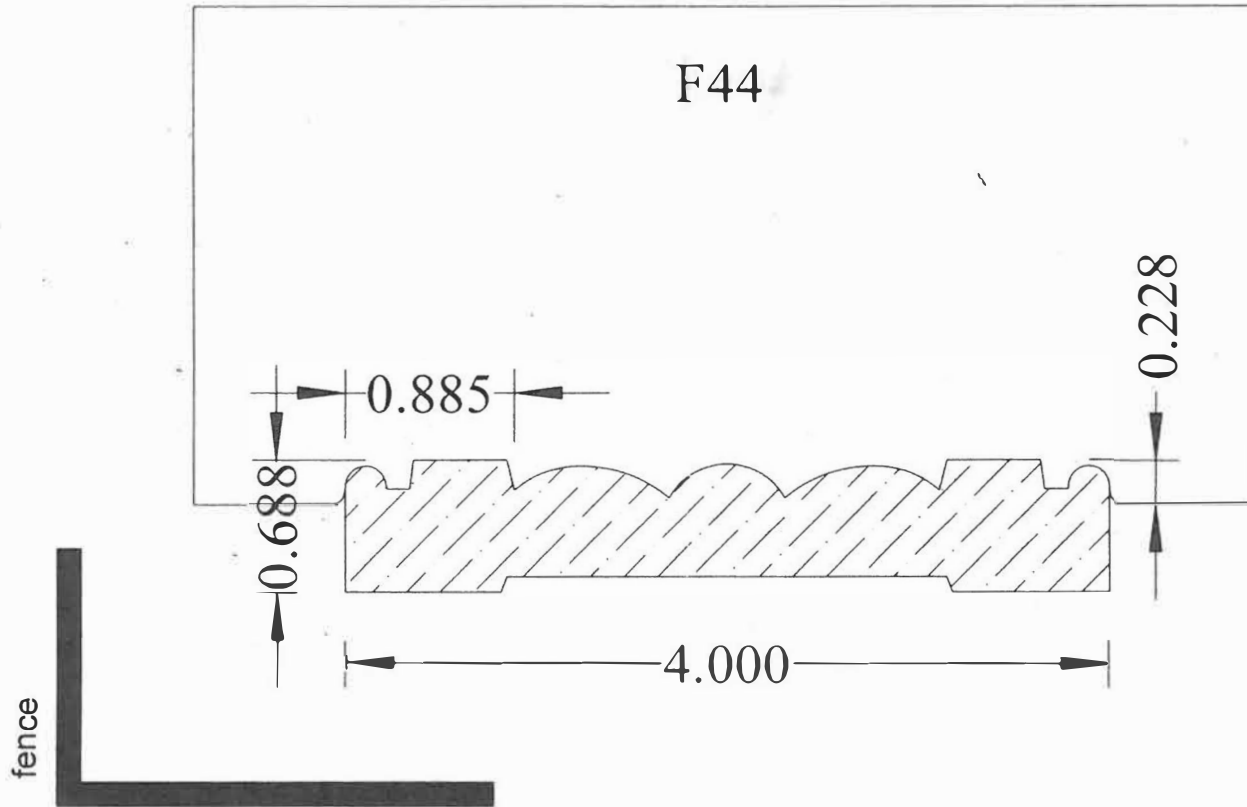
F-15

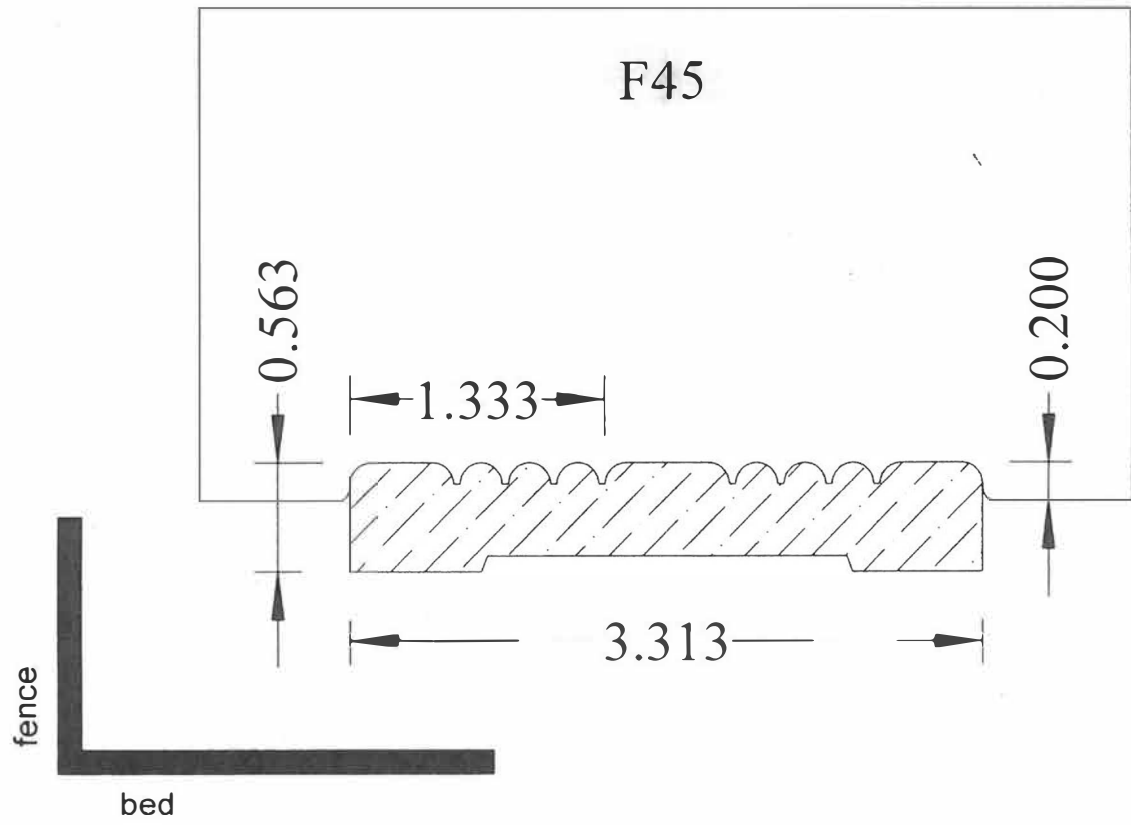


OK

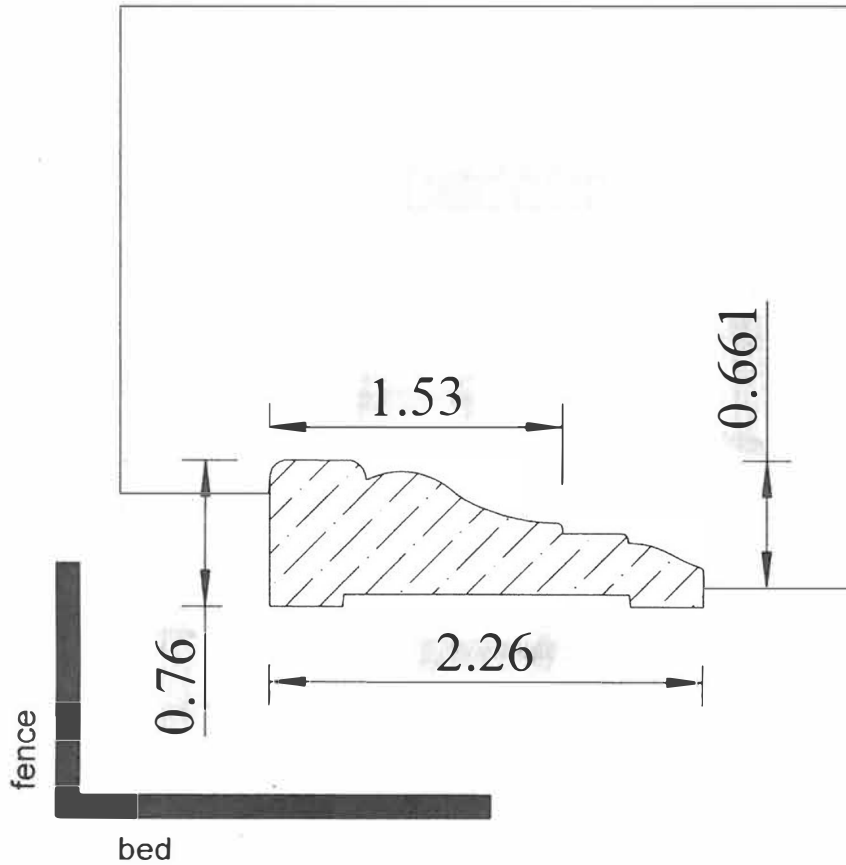


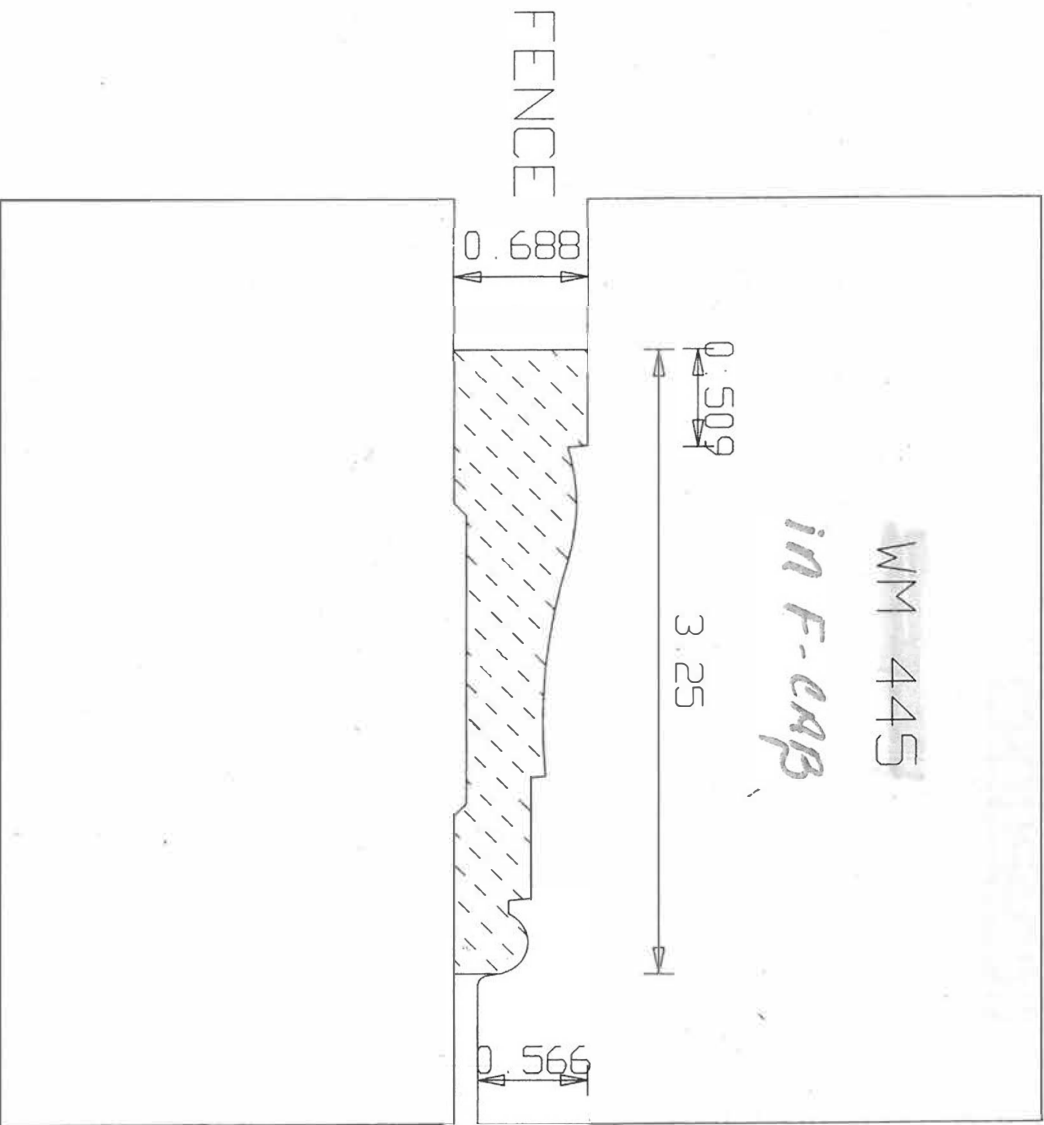
TOP and P. 430





F-68

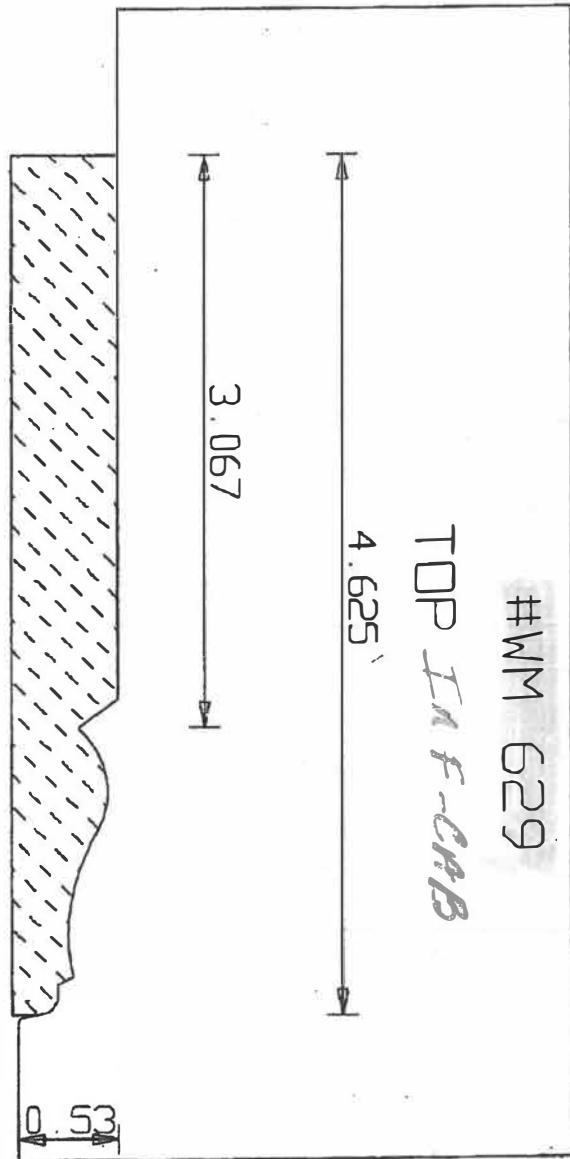




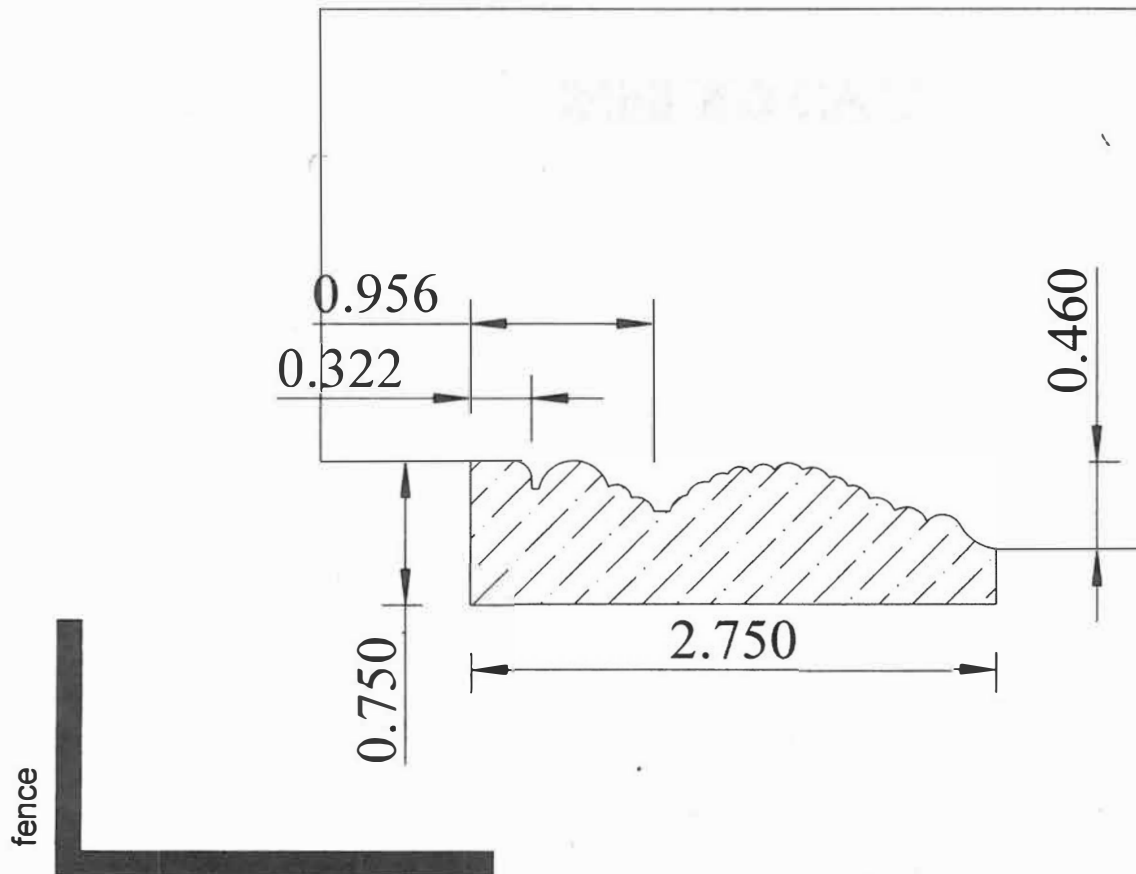
6/1

Marketing

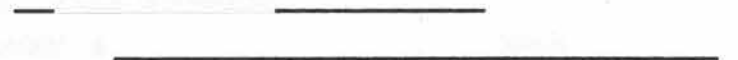
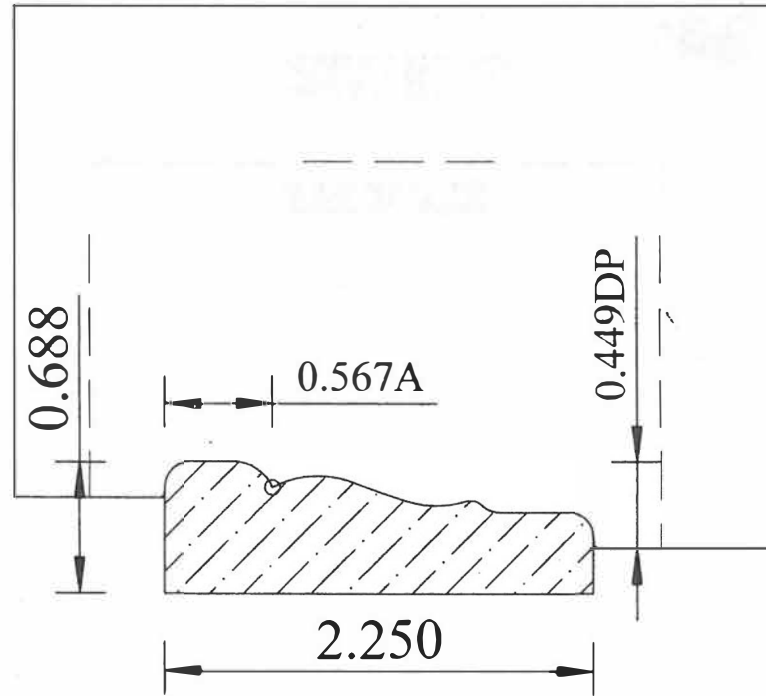
FENCE
0.563



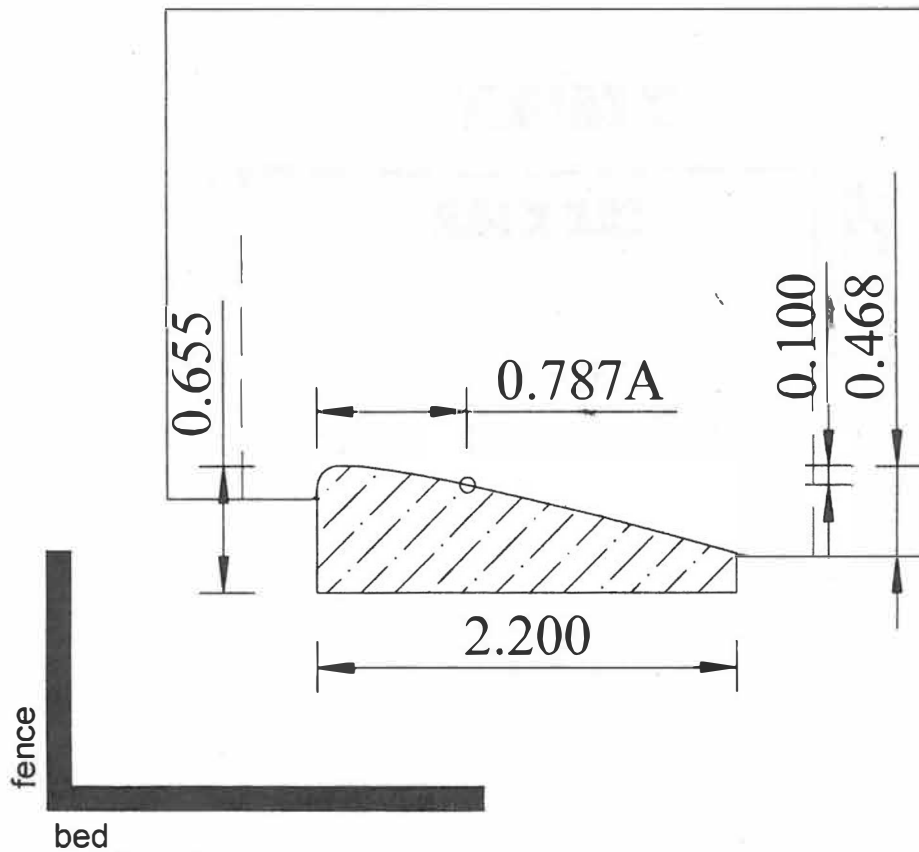
F-51



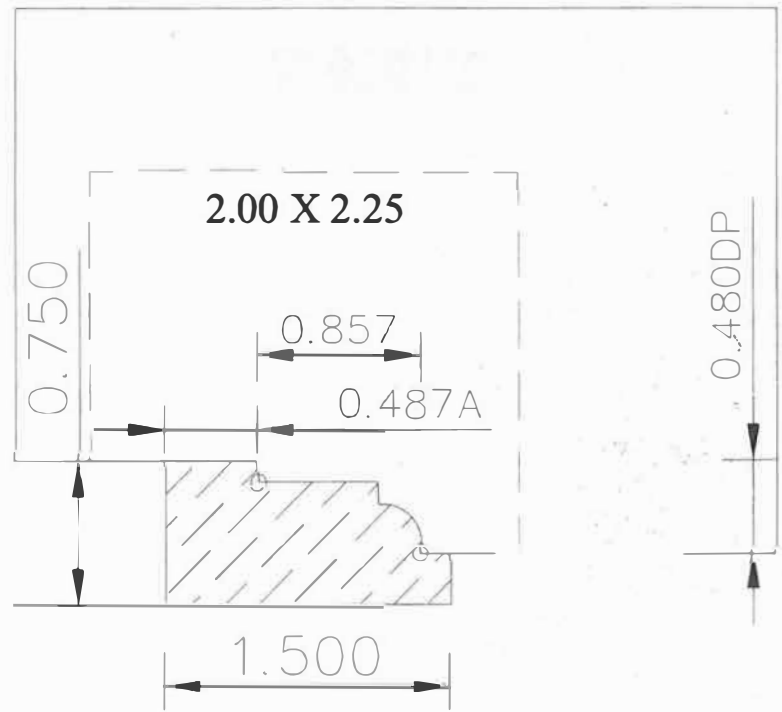
F-56



F-60



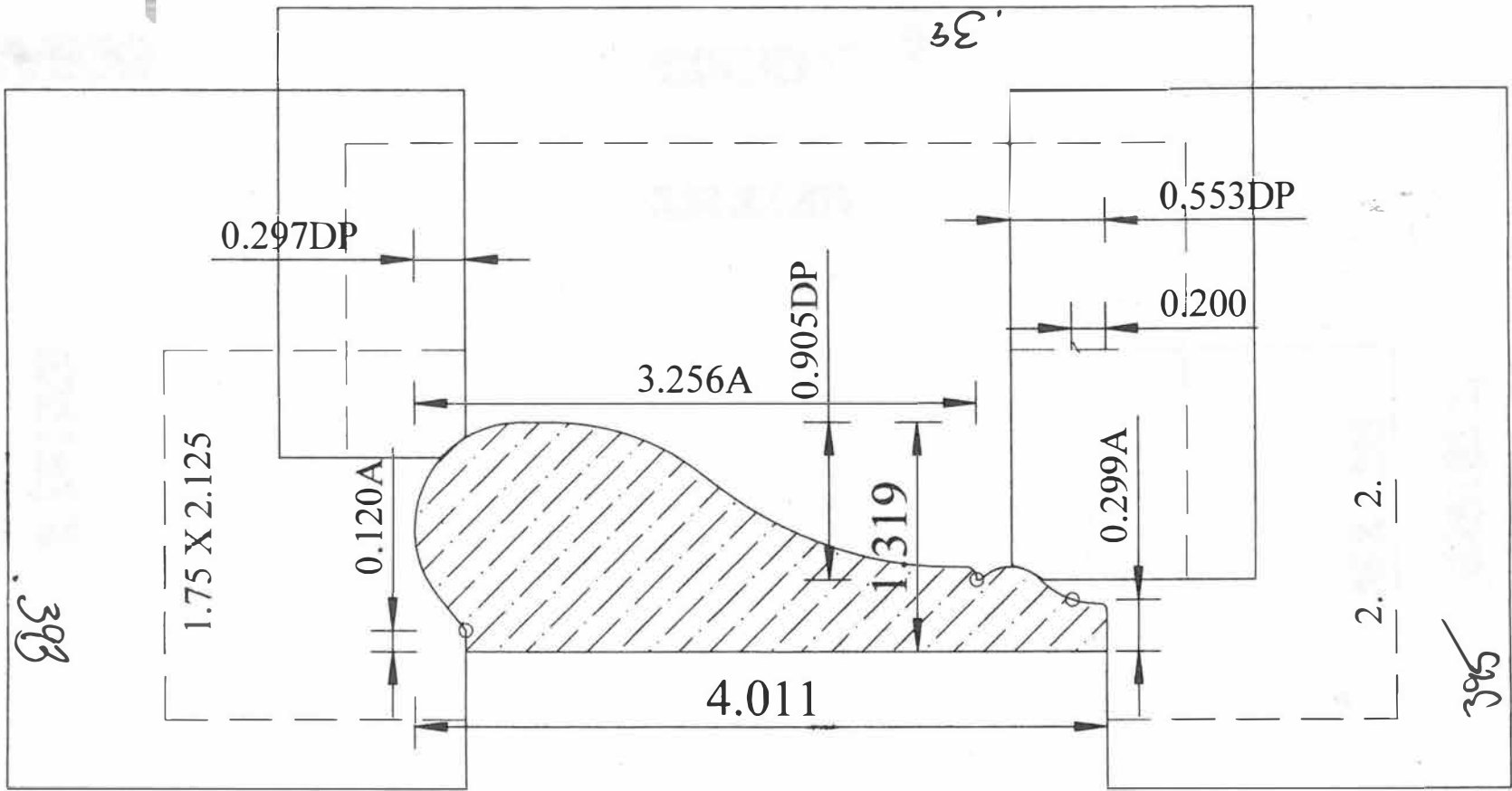
F-61



cc

F-62

ENCE



3E

395

1.75 X 2.125

0.297DP

0.120A

3.256A

0.905DP

1.319

4.011

0.553DP

0.200

0.299A

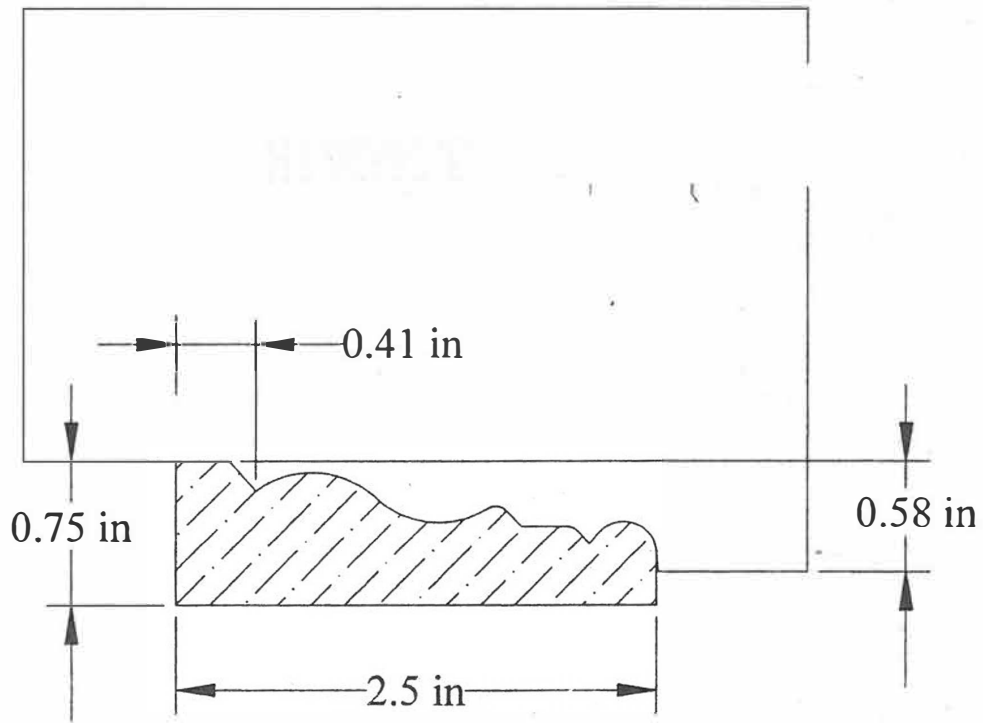
2.

2.

395

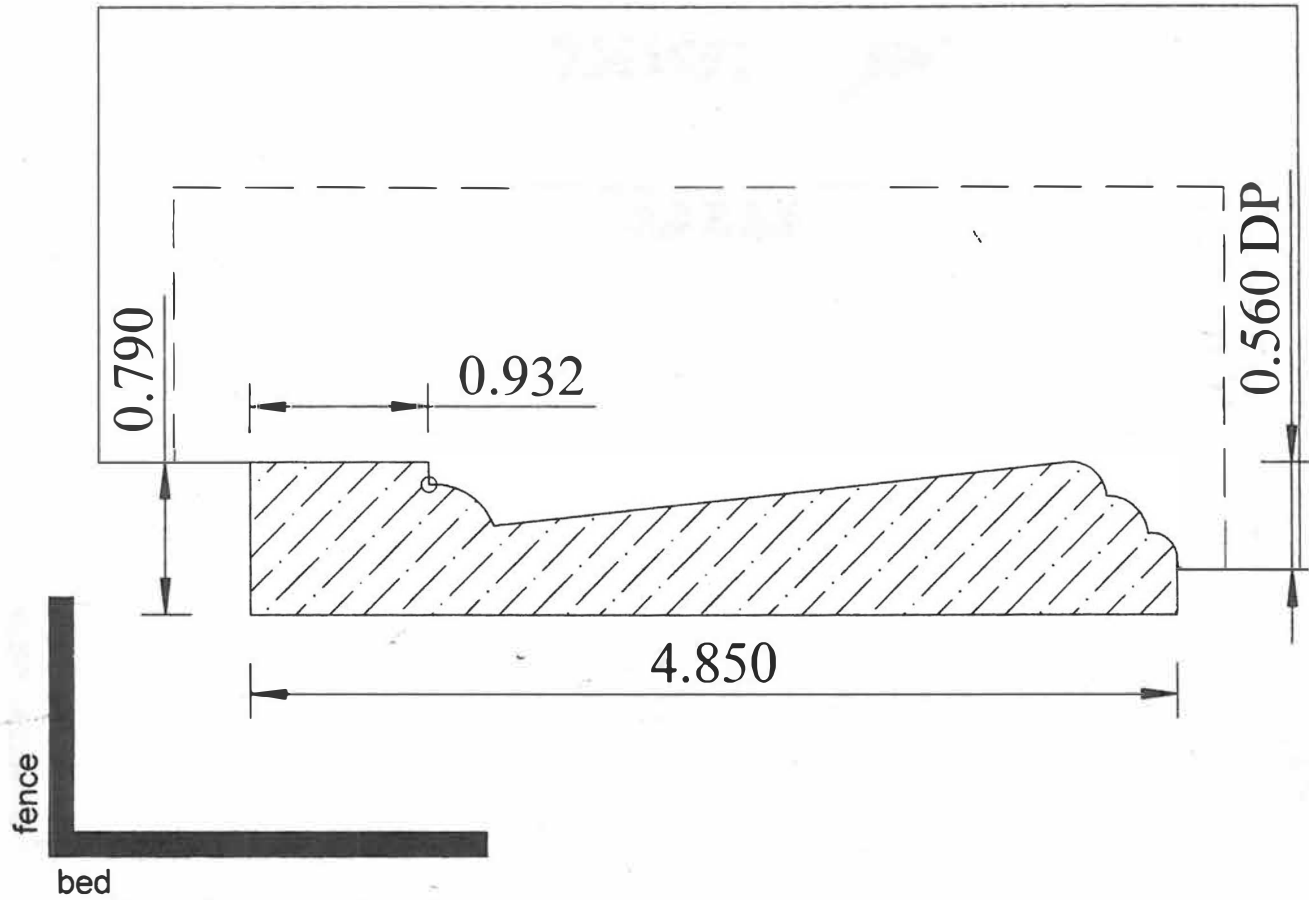
Fellingner

F-64

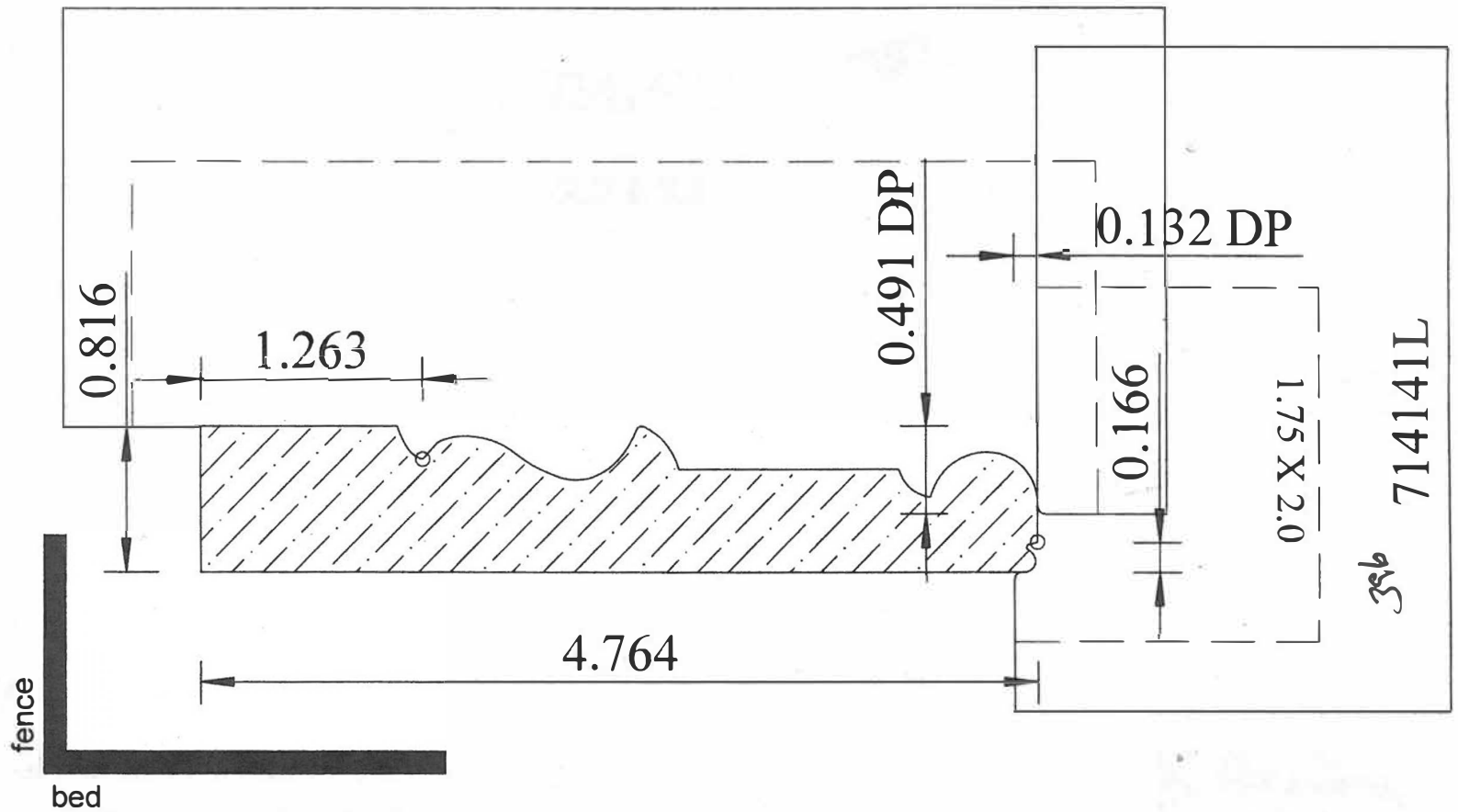


FENCE

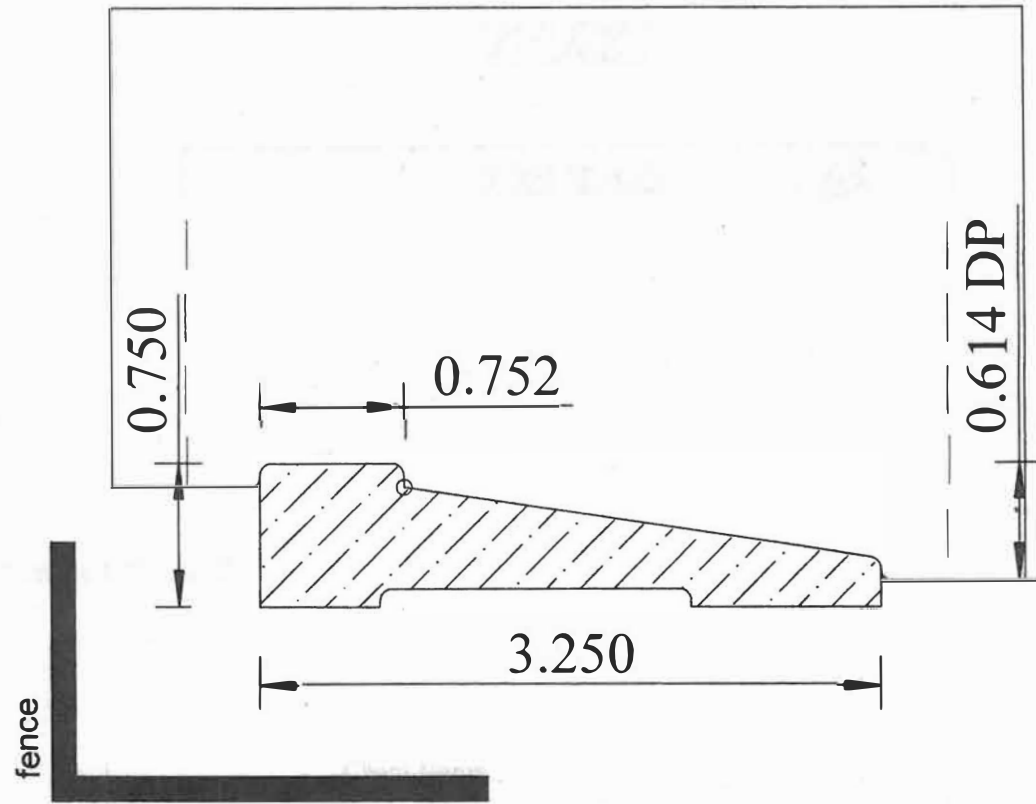
F-83



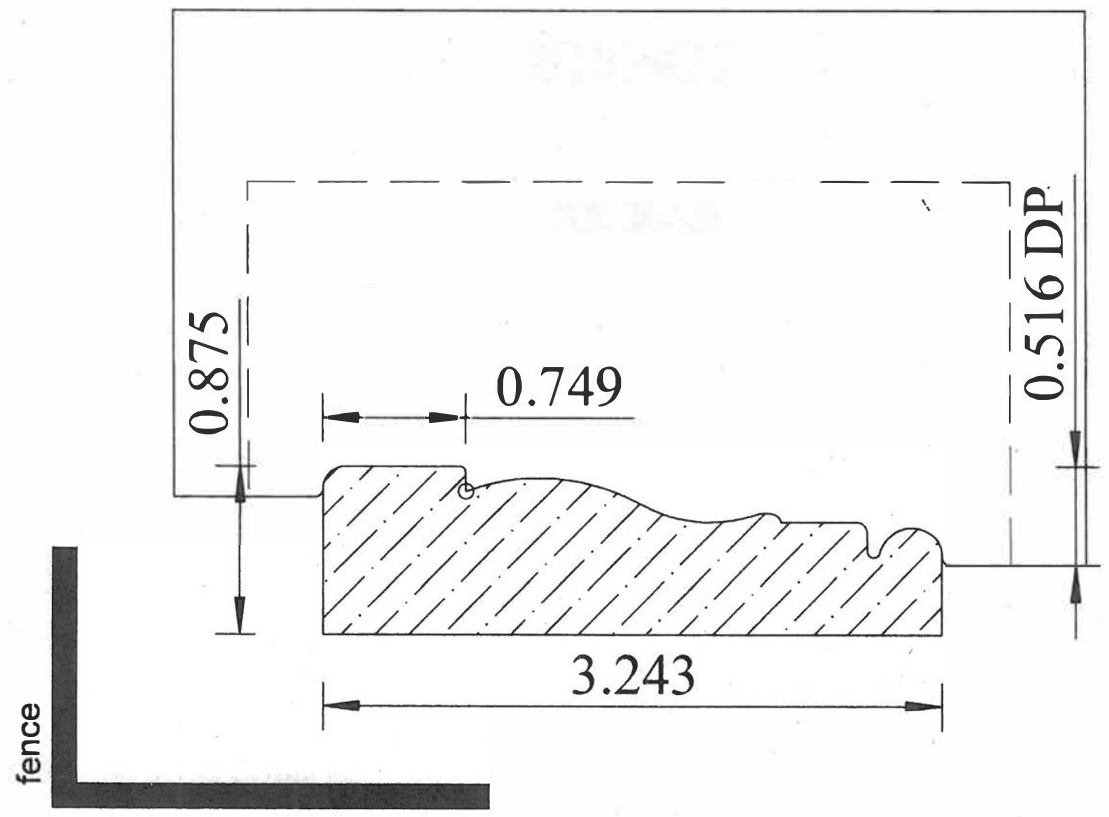
F-85



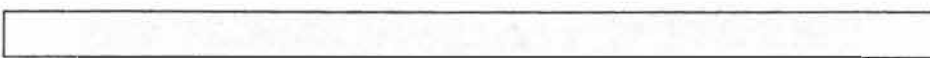
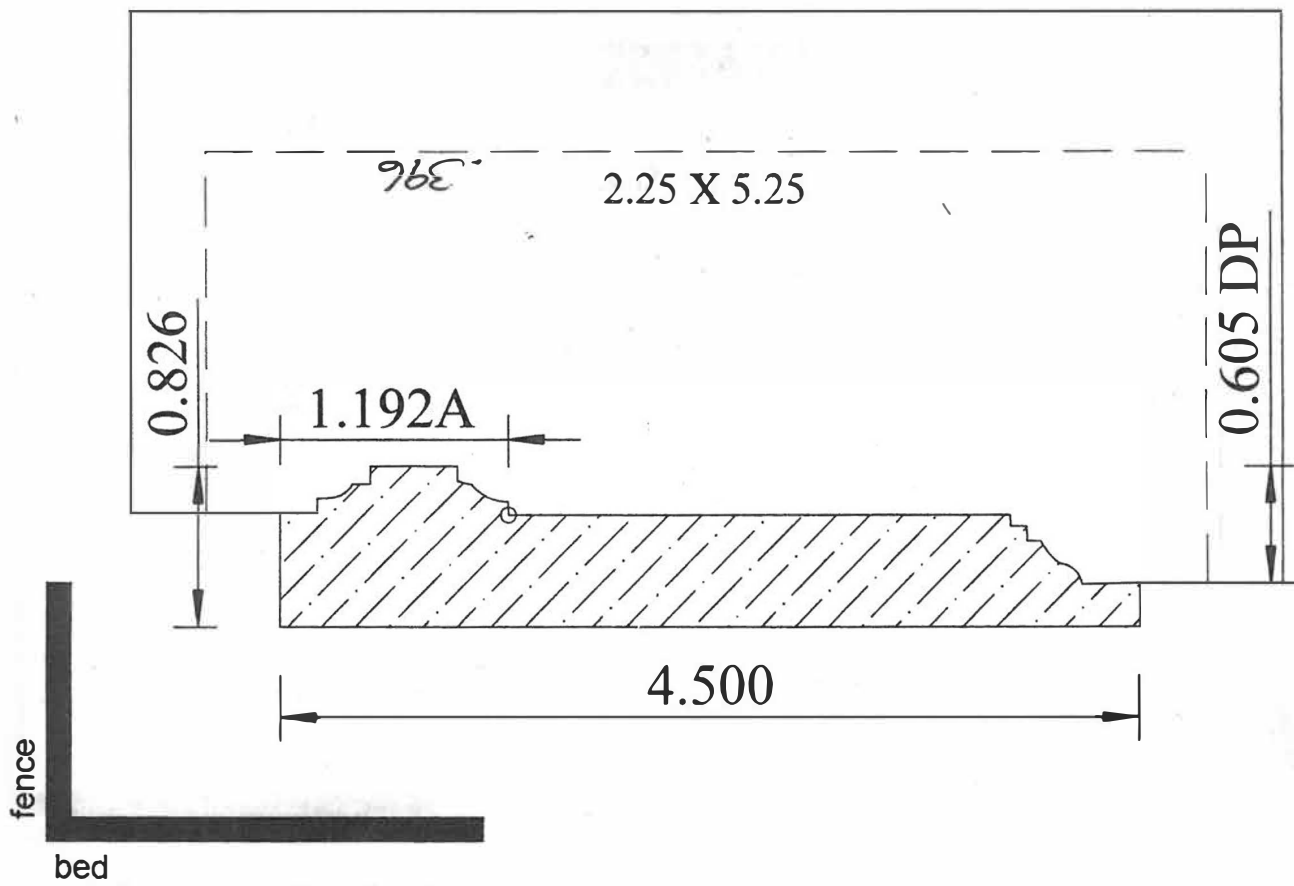
F-86



F-90



F-93

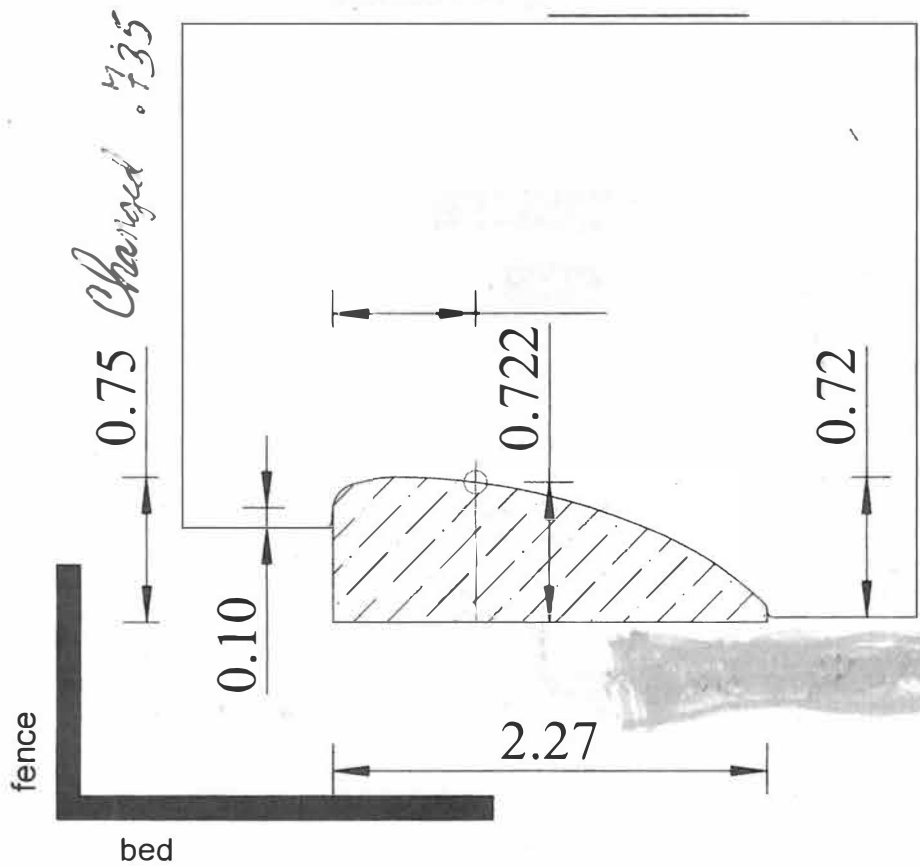


G32



A. FILLINGER, INC.

MOULDING DIVISION



G-36

