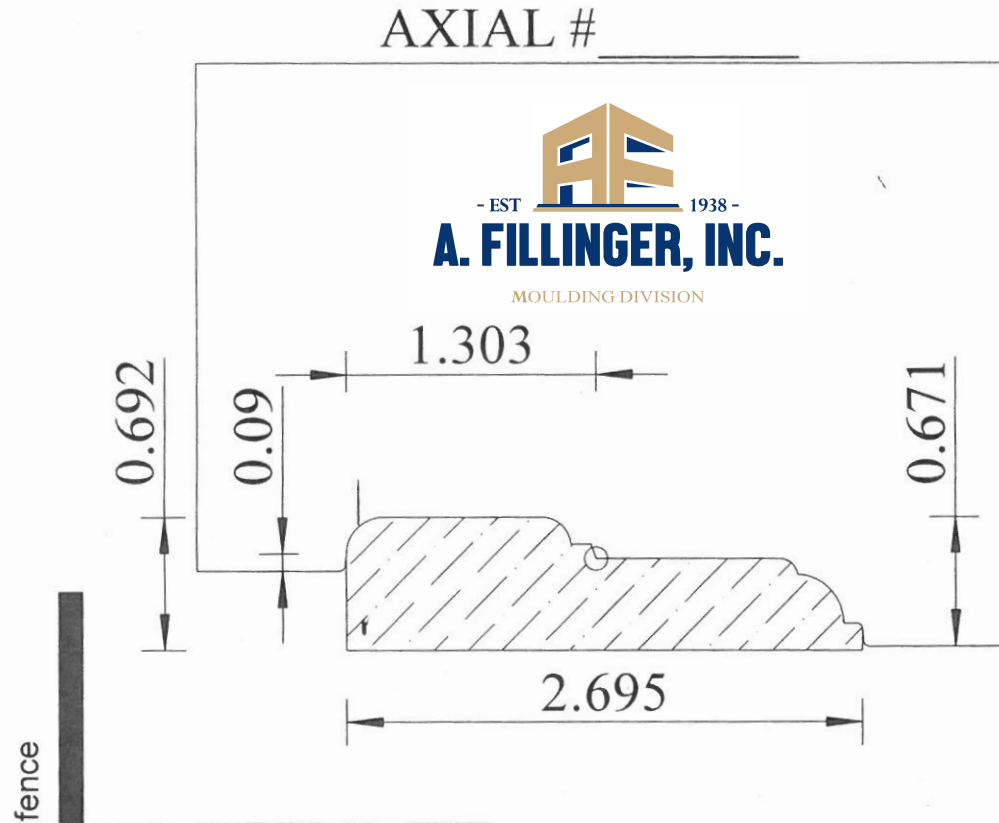
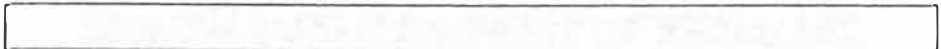
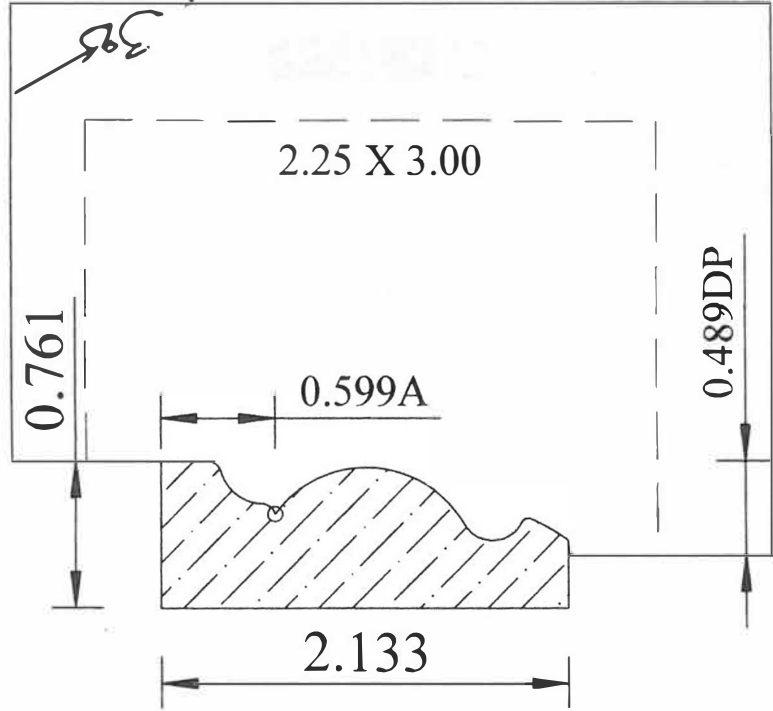


Grid
E-41

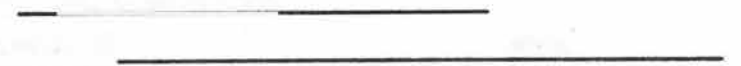
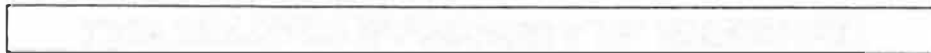
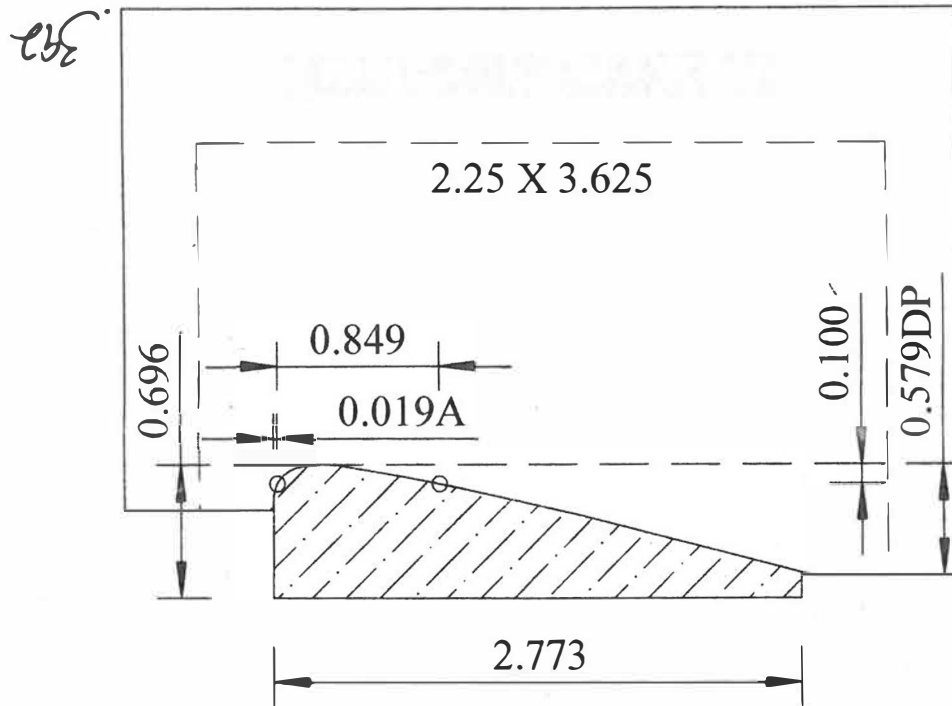


G-52

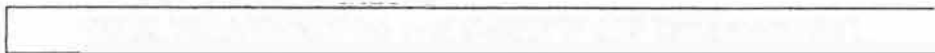
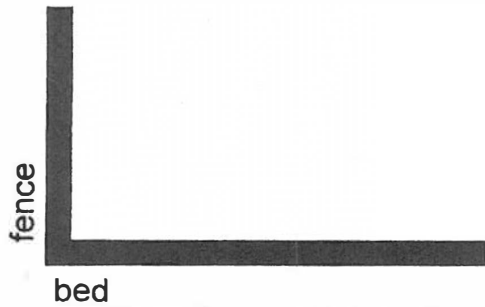
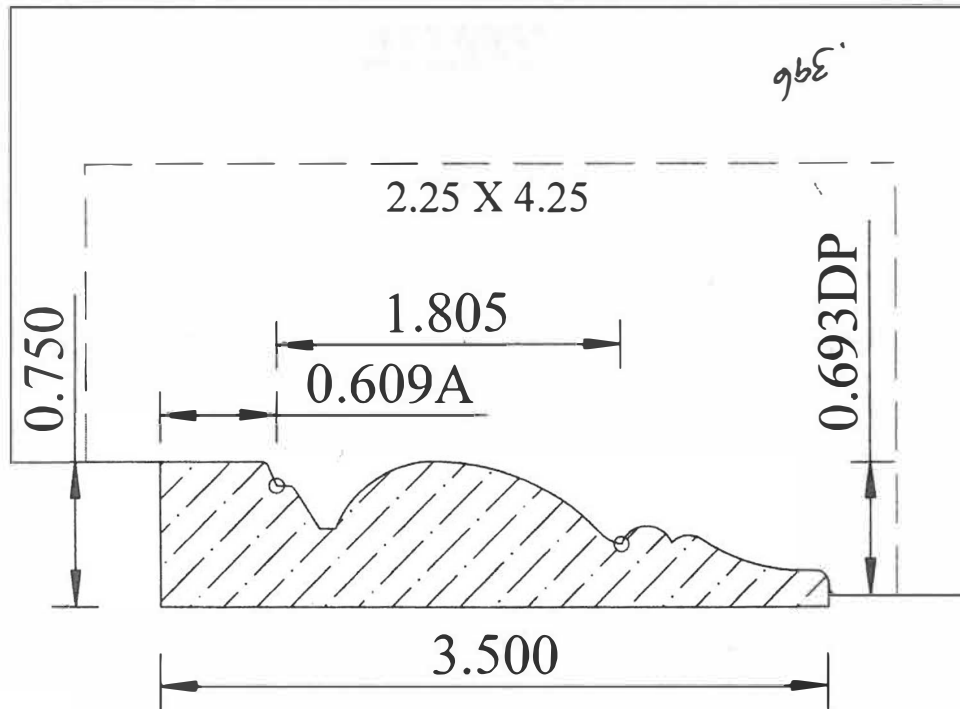


DATE: _____

67-58

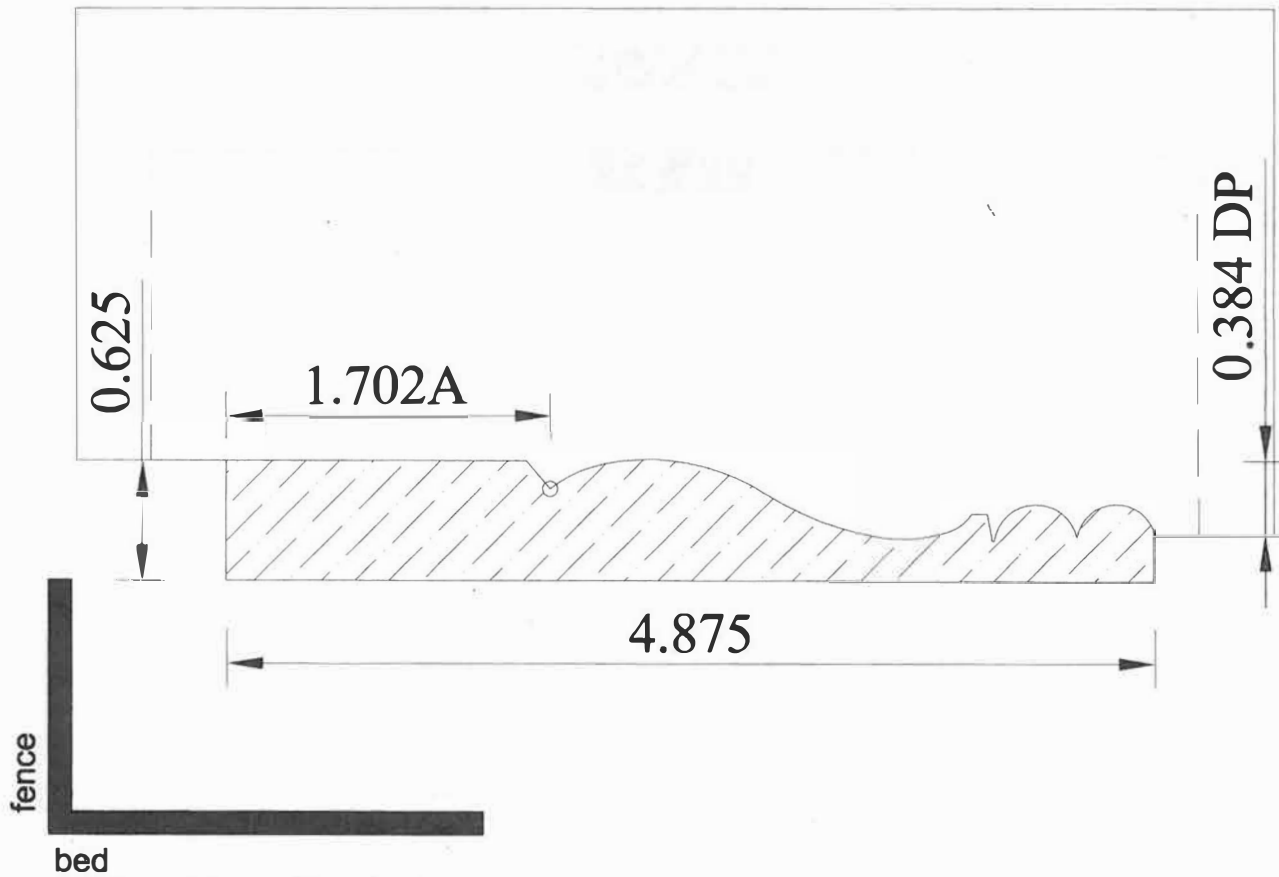


G-67

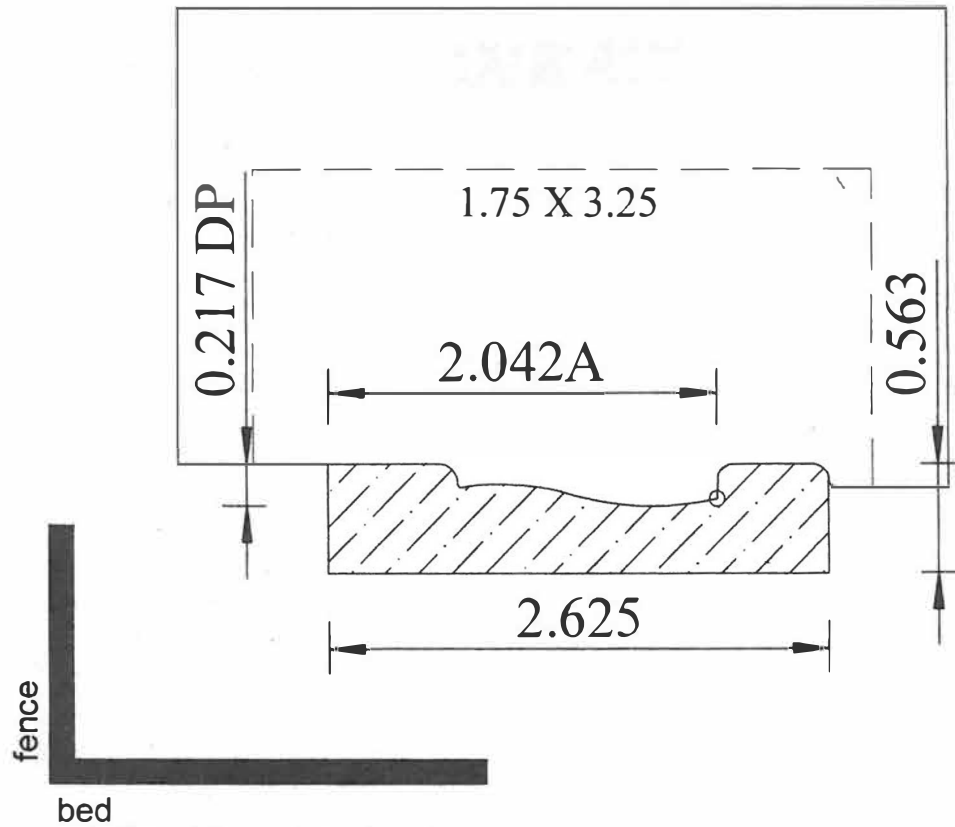


G-87

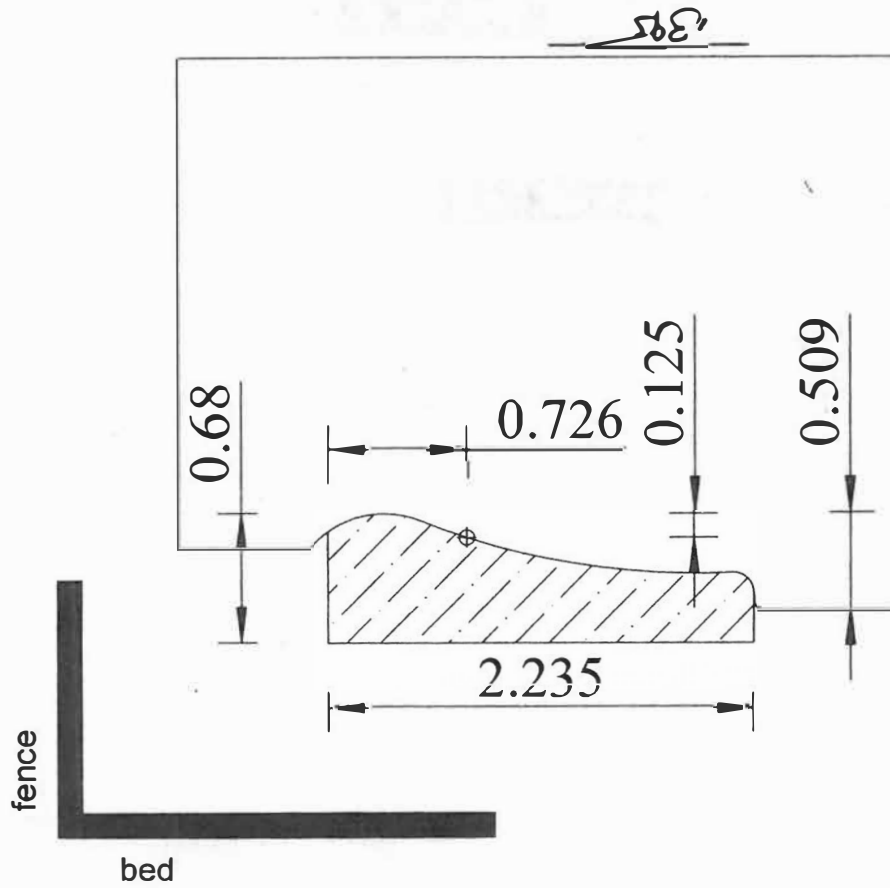
G-87



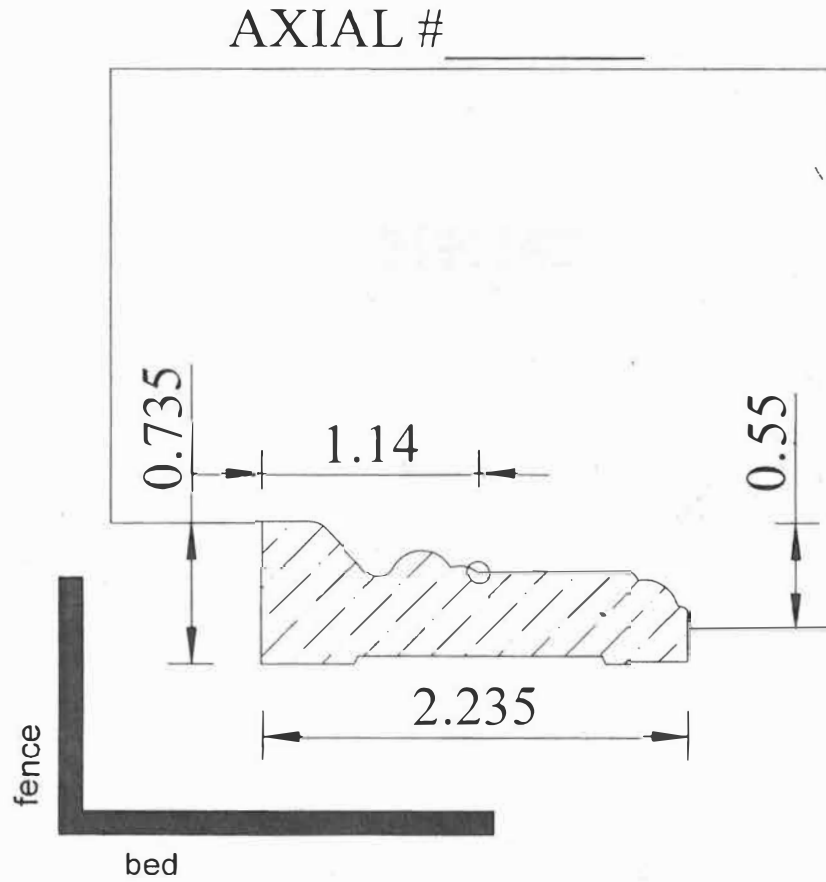
G-95



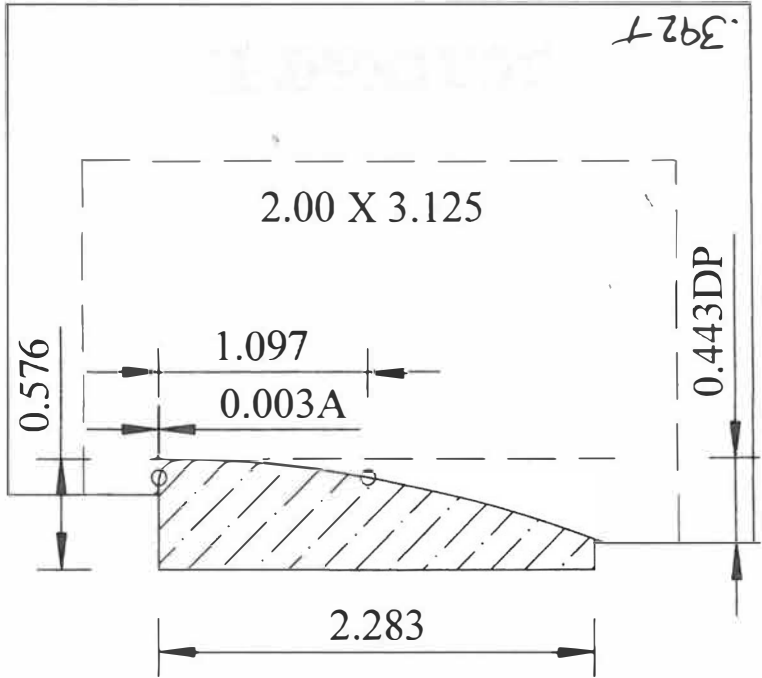
H-33



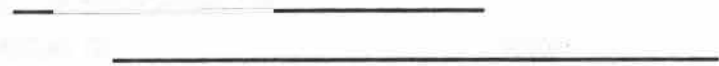
Grid #
H39



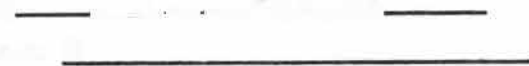
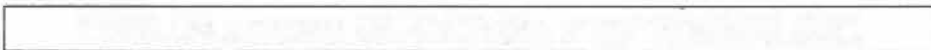
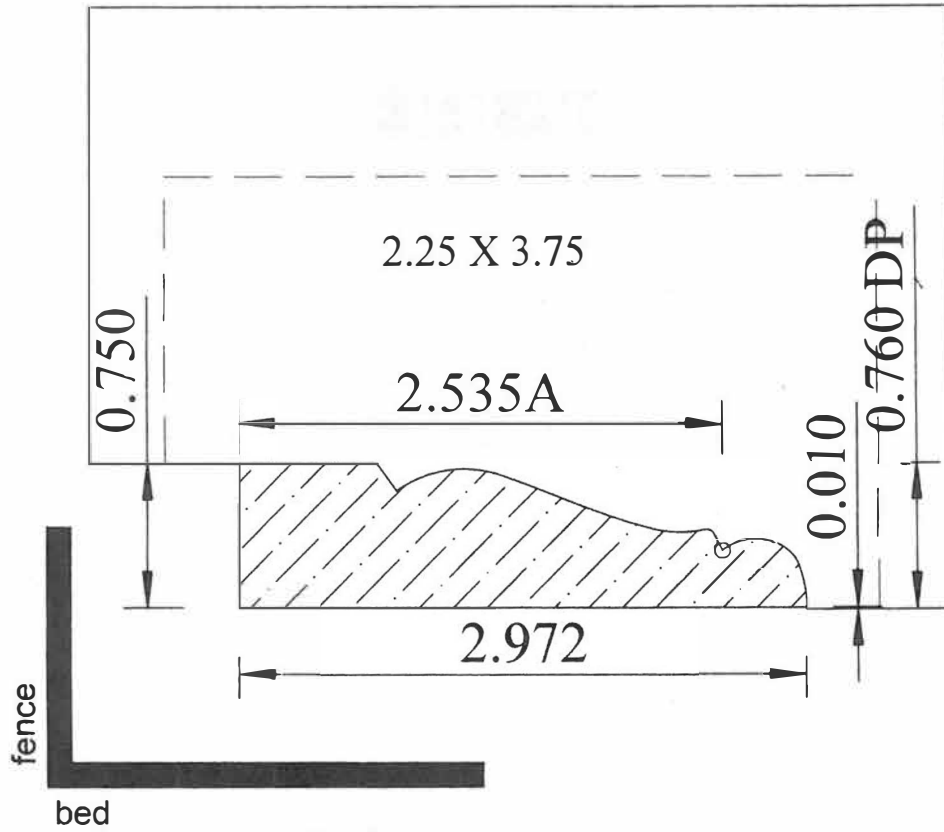
H-52



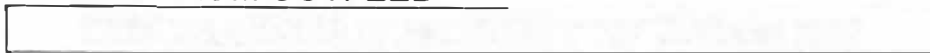
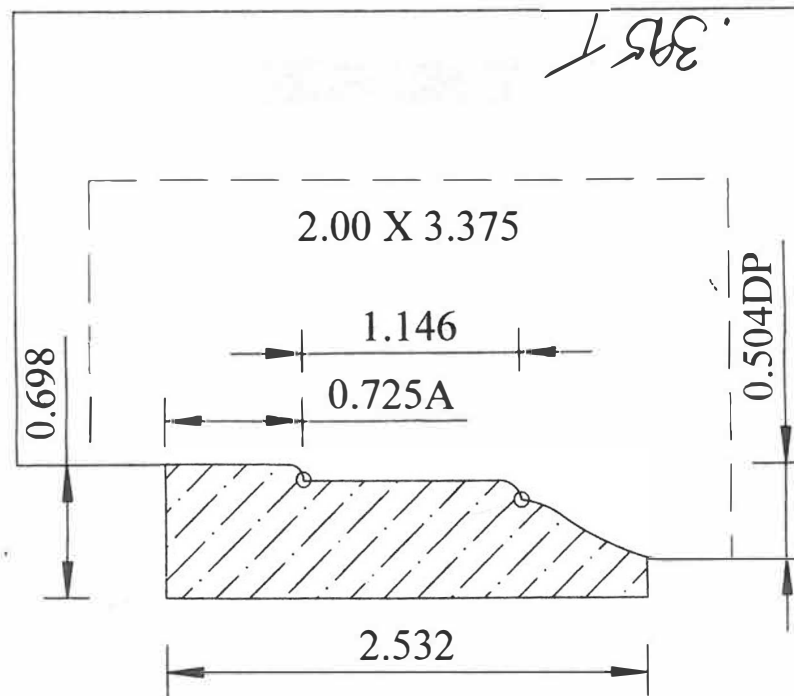
FENCE



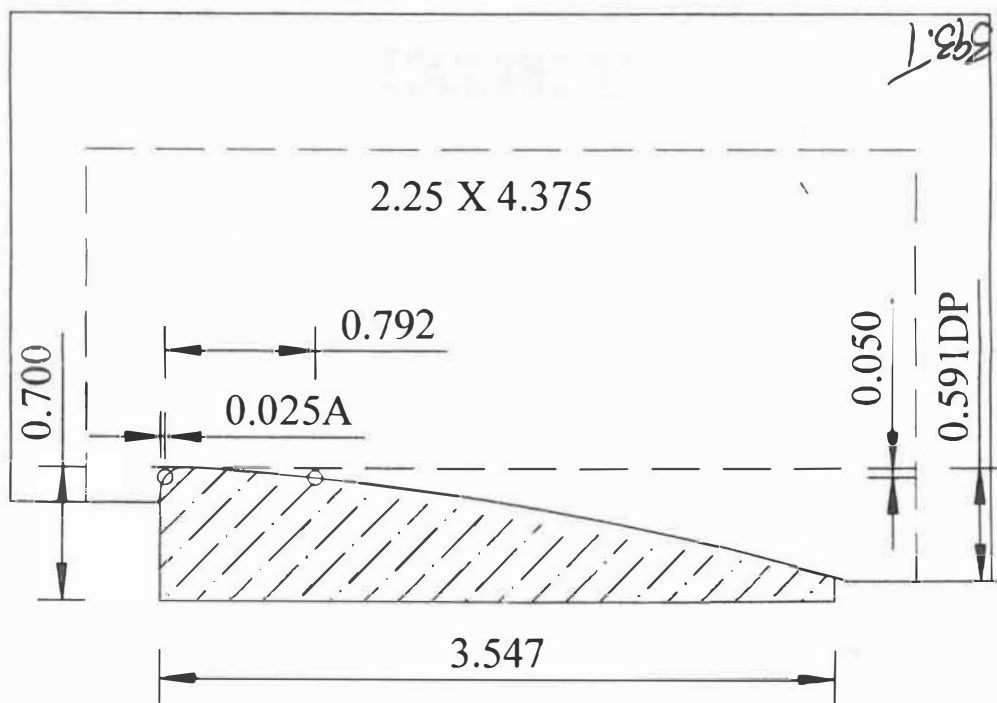
H-56



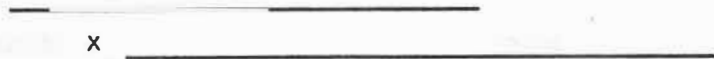
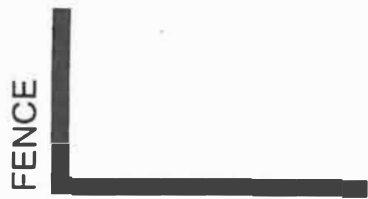
H-59



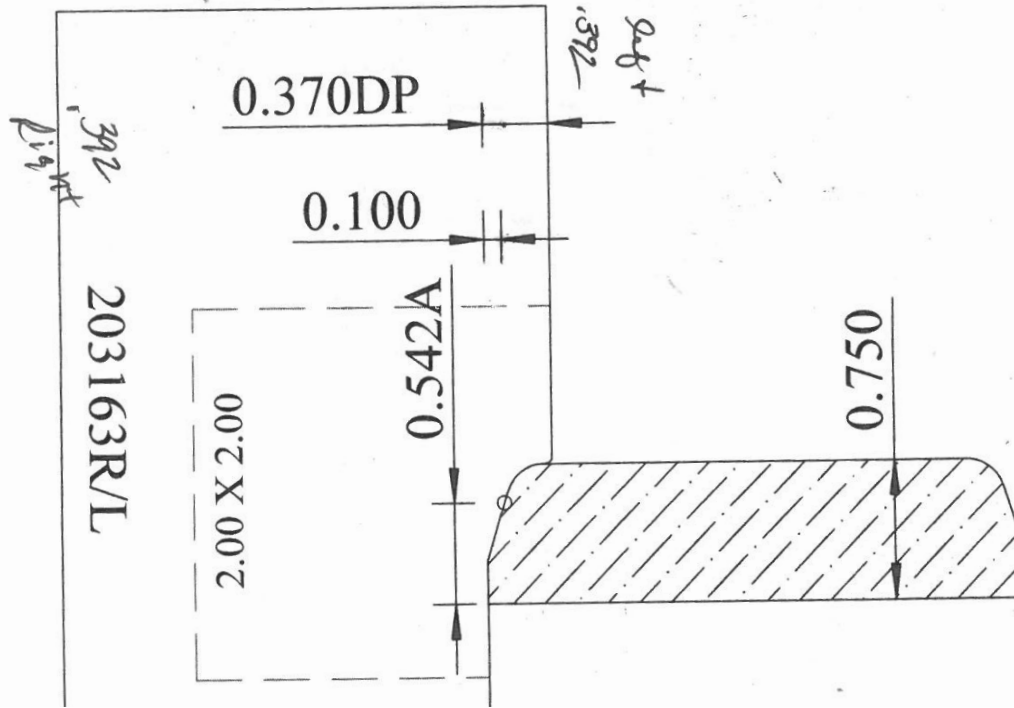
H-61



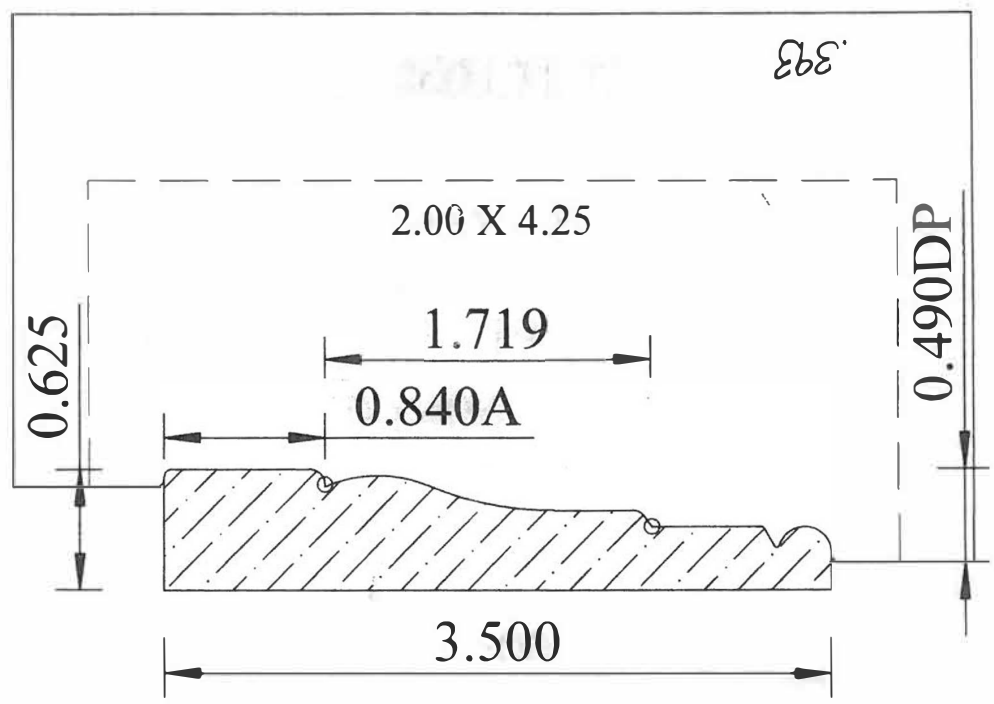
H-61



H-63



H-64



FENCE



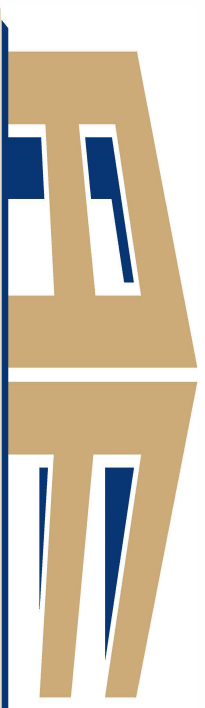
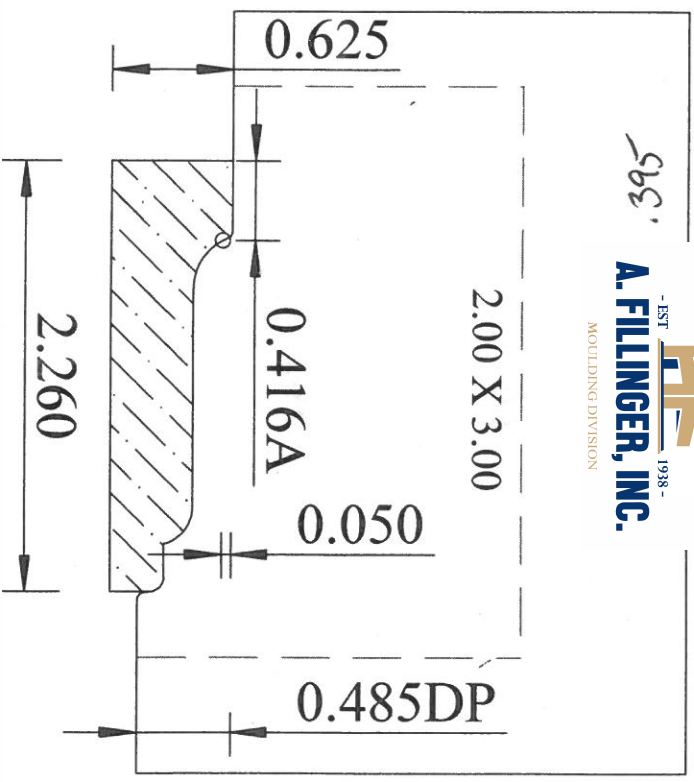


- EST 1938 -

A. FILLINGER, INC.

MOULDING DIVISION

H-66



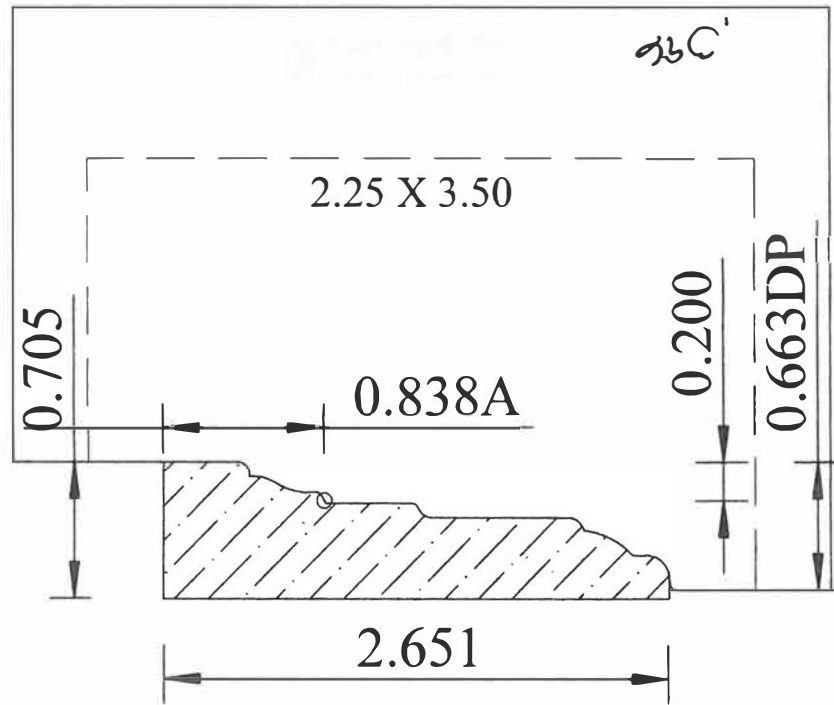
- EST

A. FILLINGER, INC.

MOULDING DIVISION

1938 -

H-72



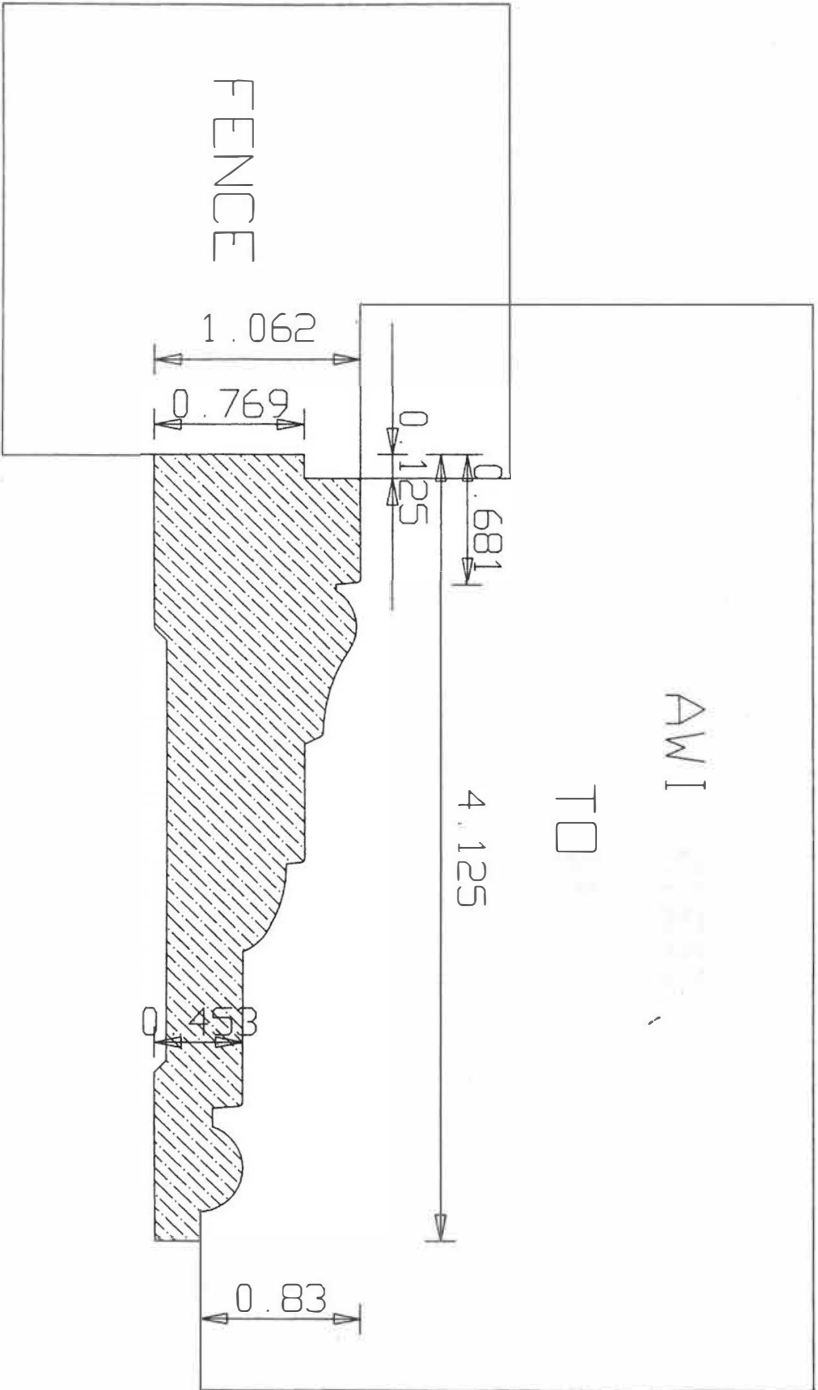
FENCE

BED

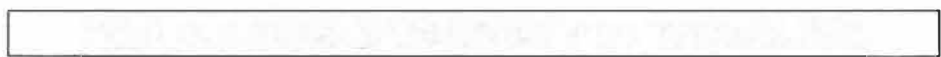
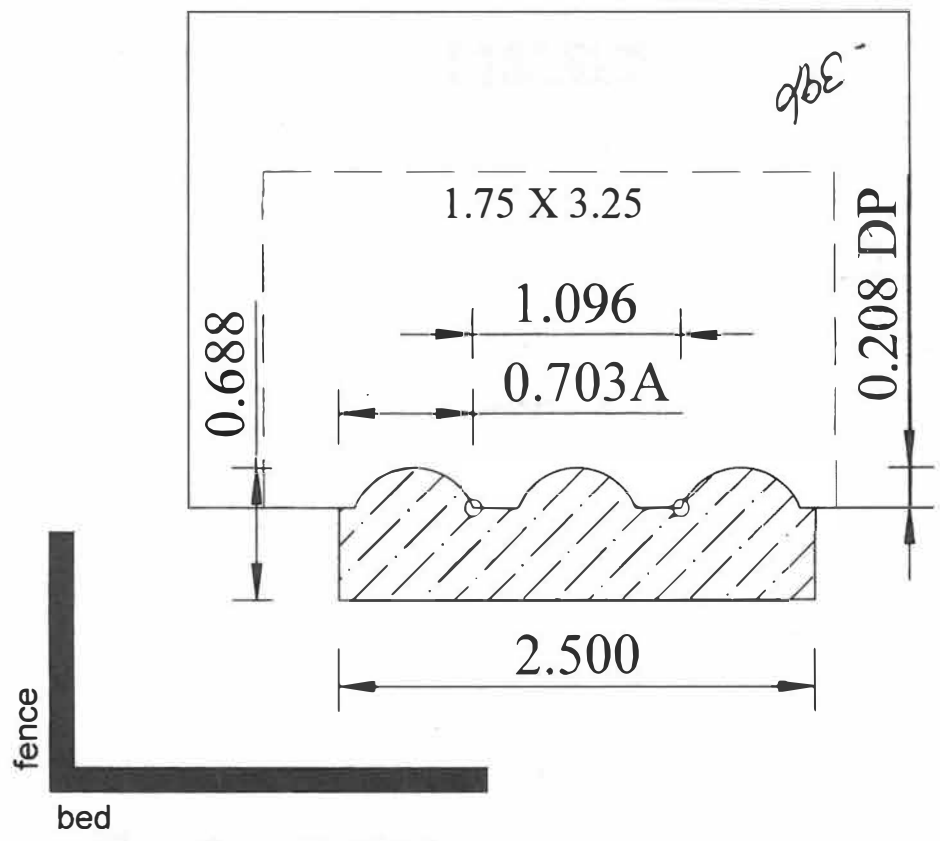
VIEW FROM OUTFEED



H777

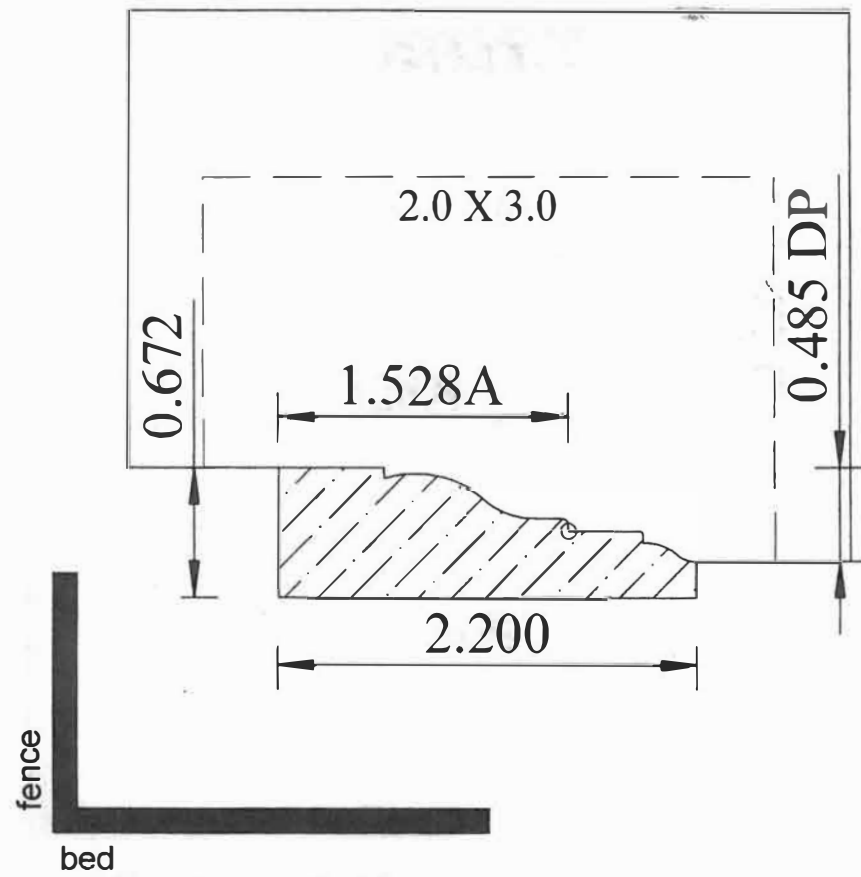


H-79

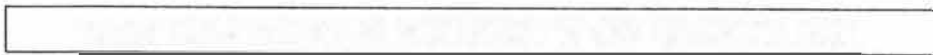
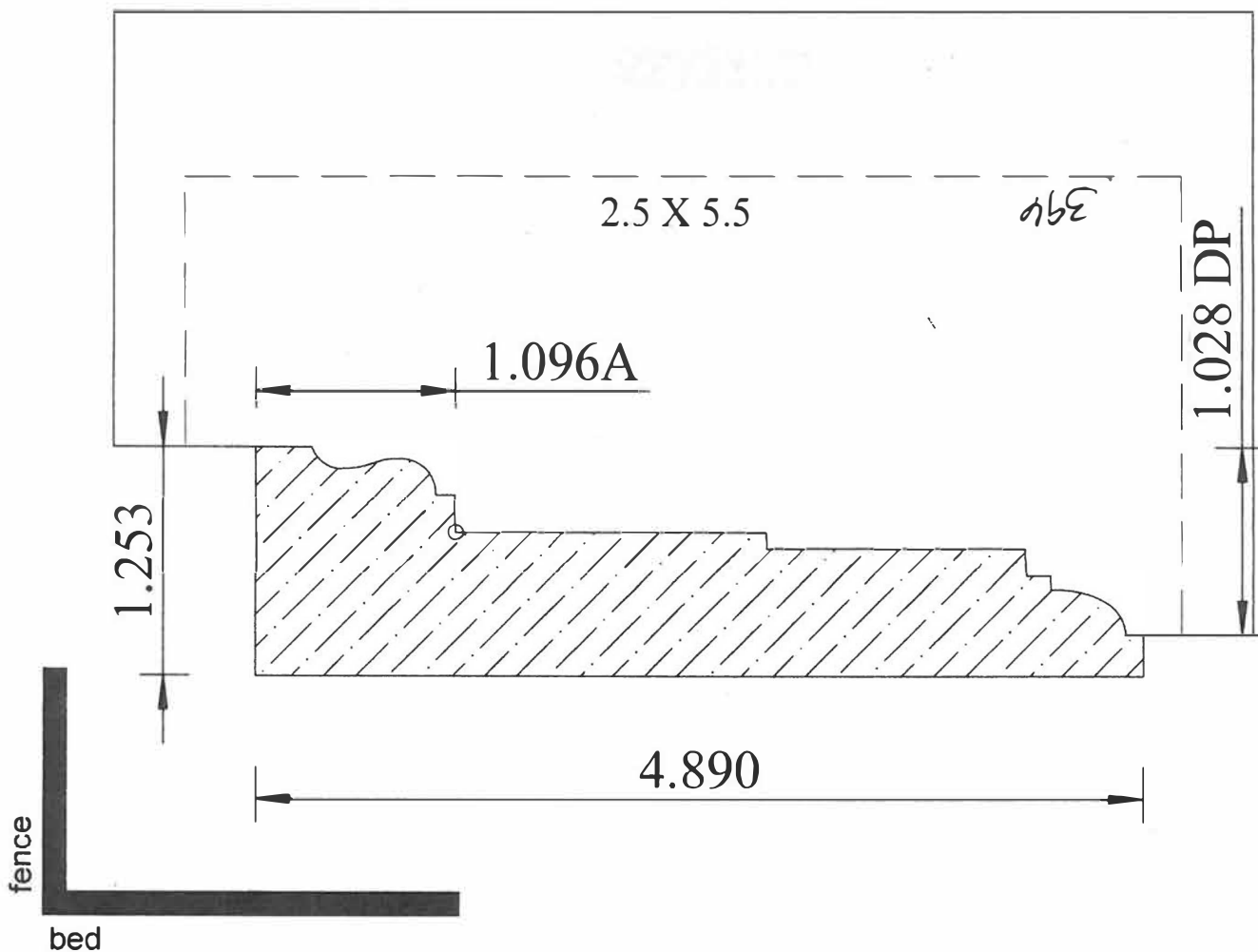


x

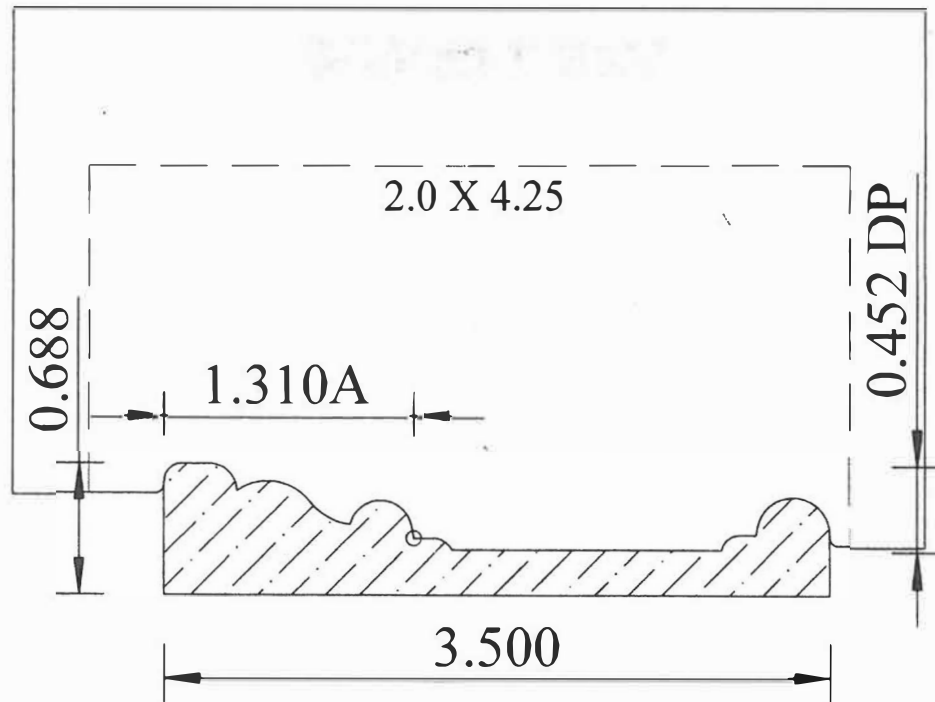
H-80



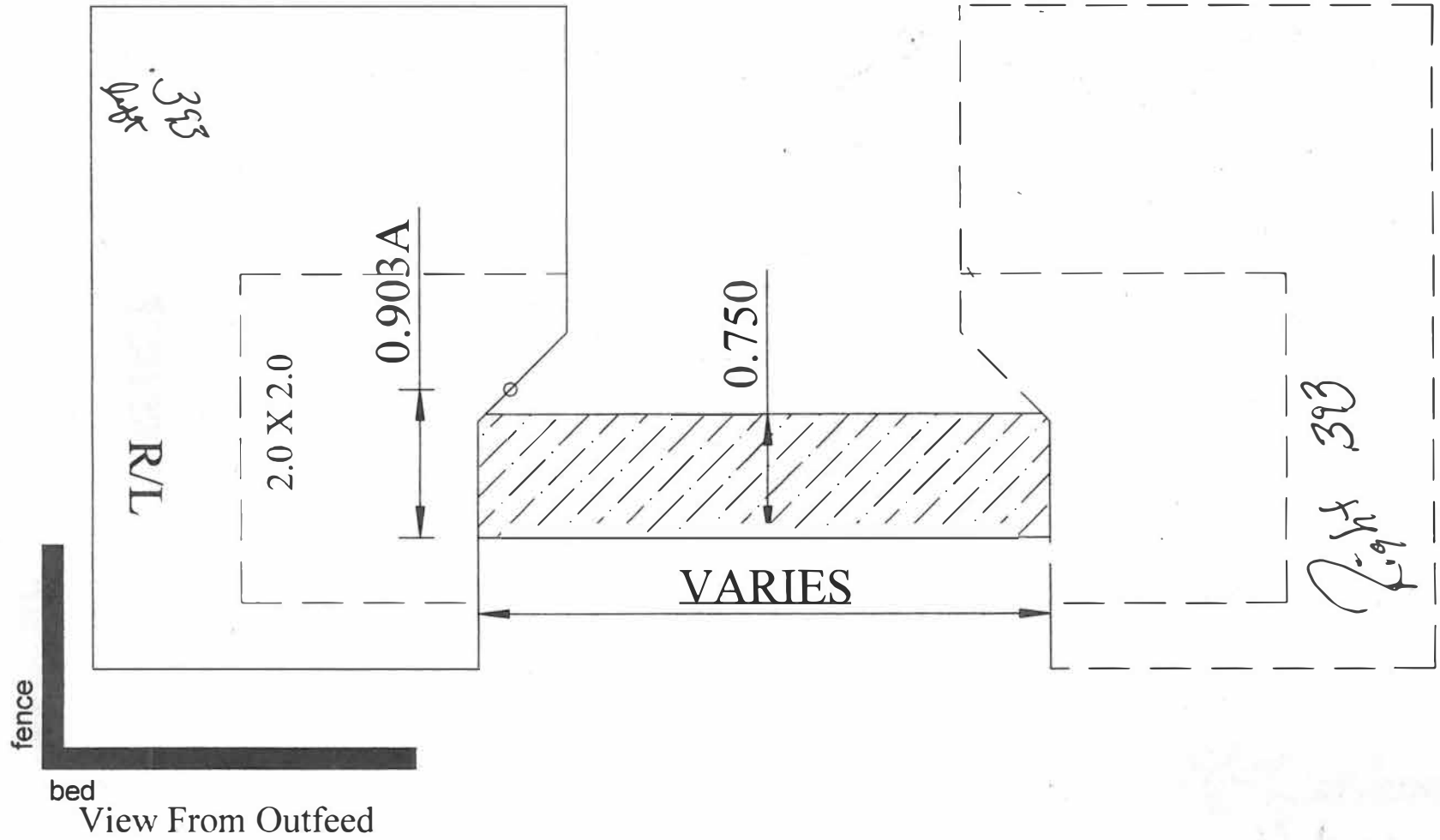
H-82



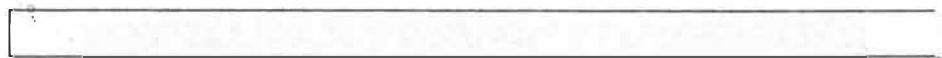
H-83



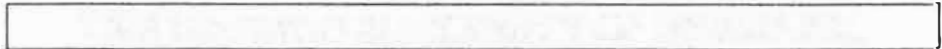
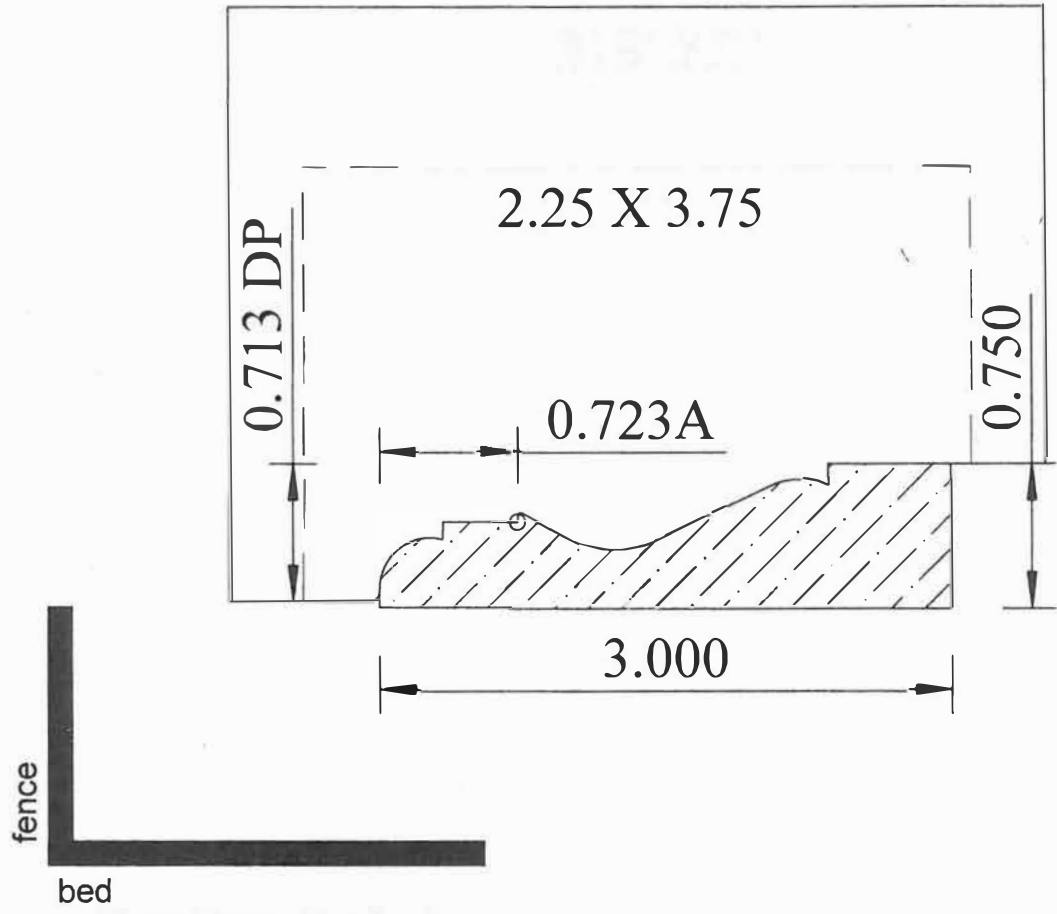
H-85



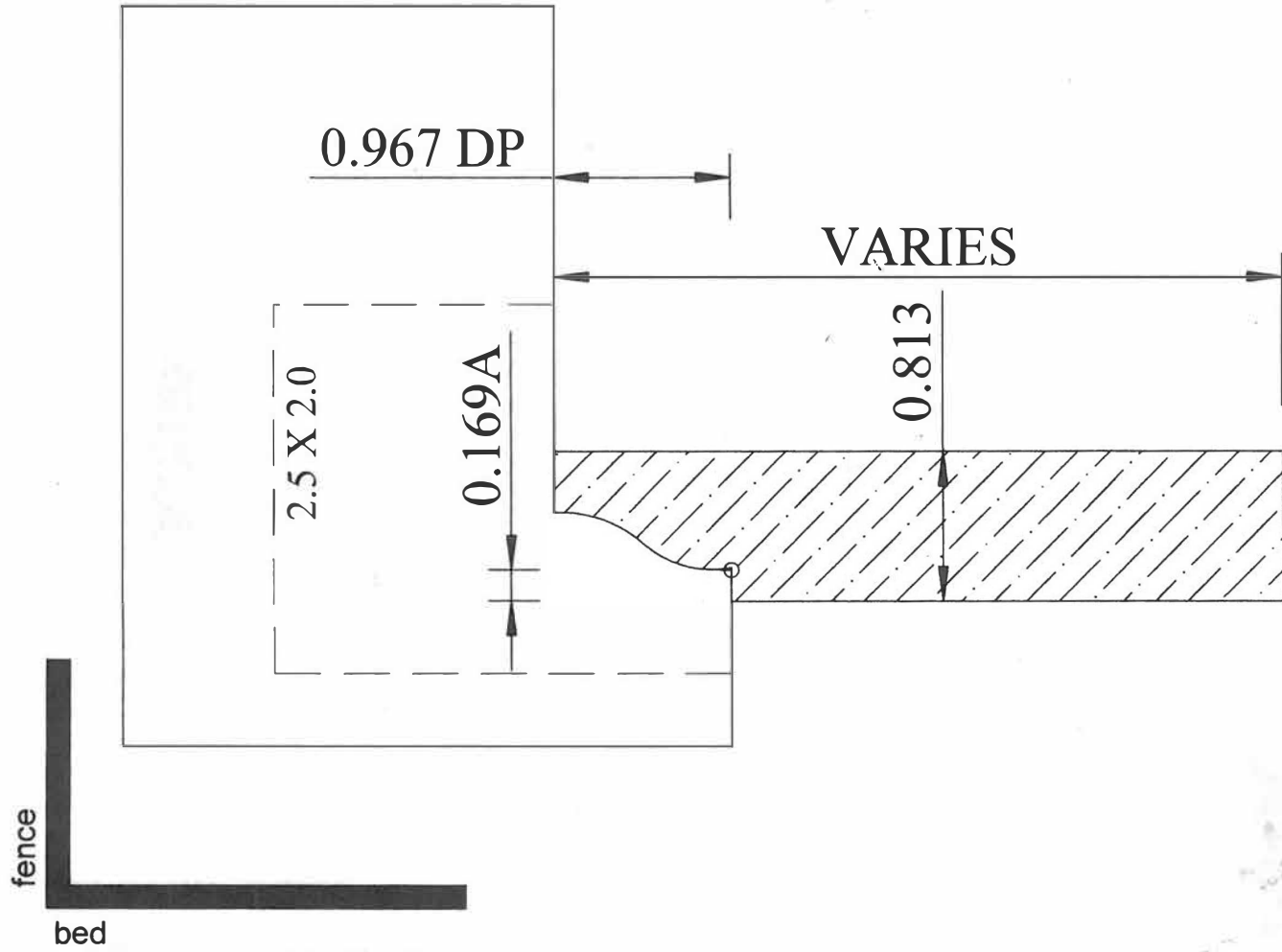
393



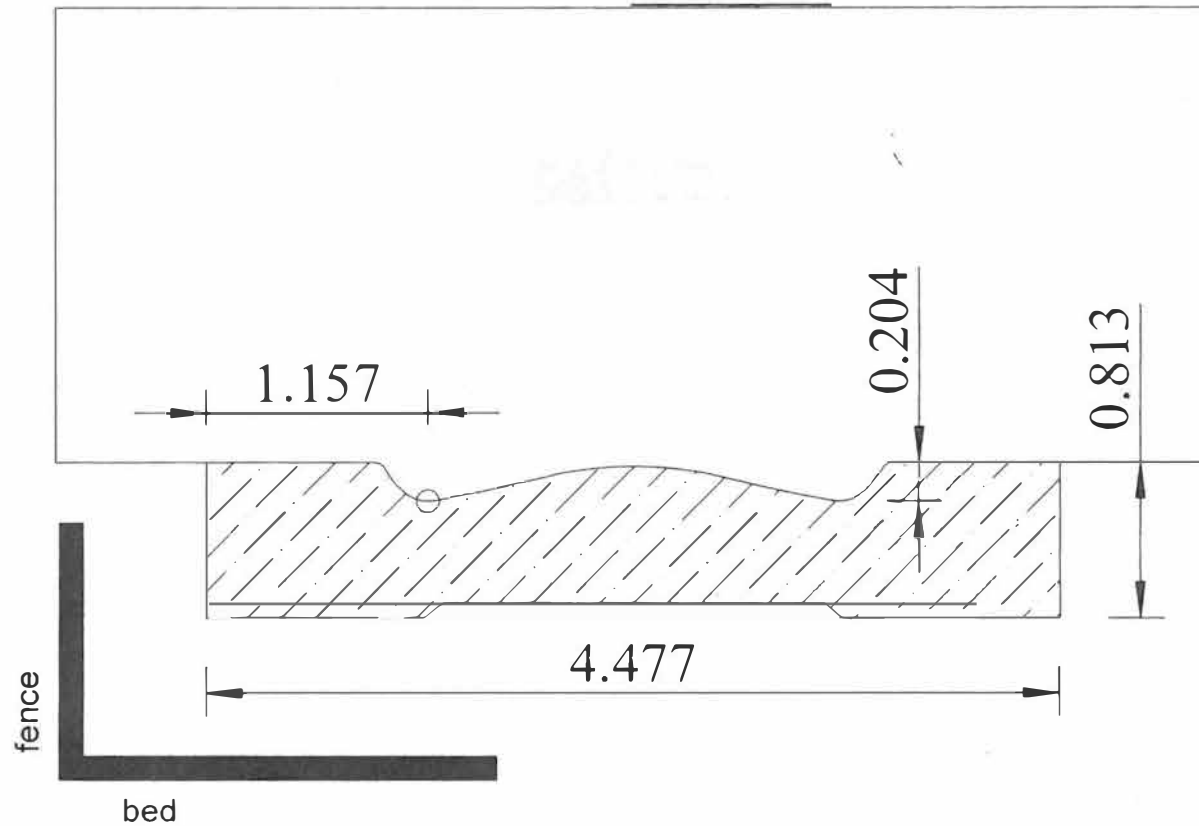
H-87



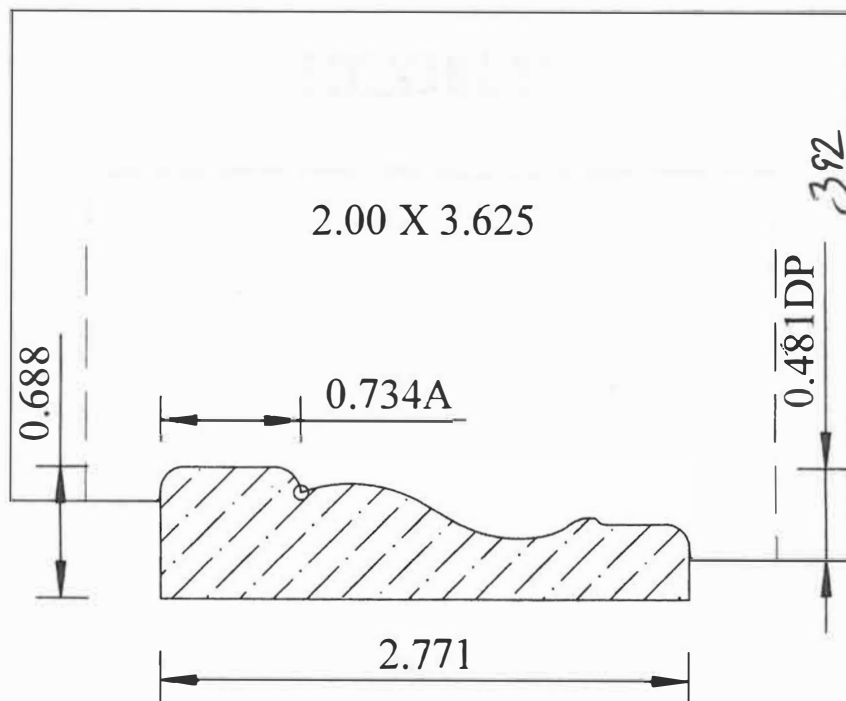
H-92



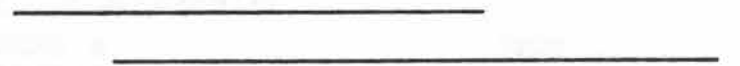
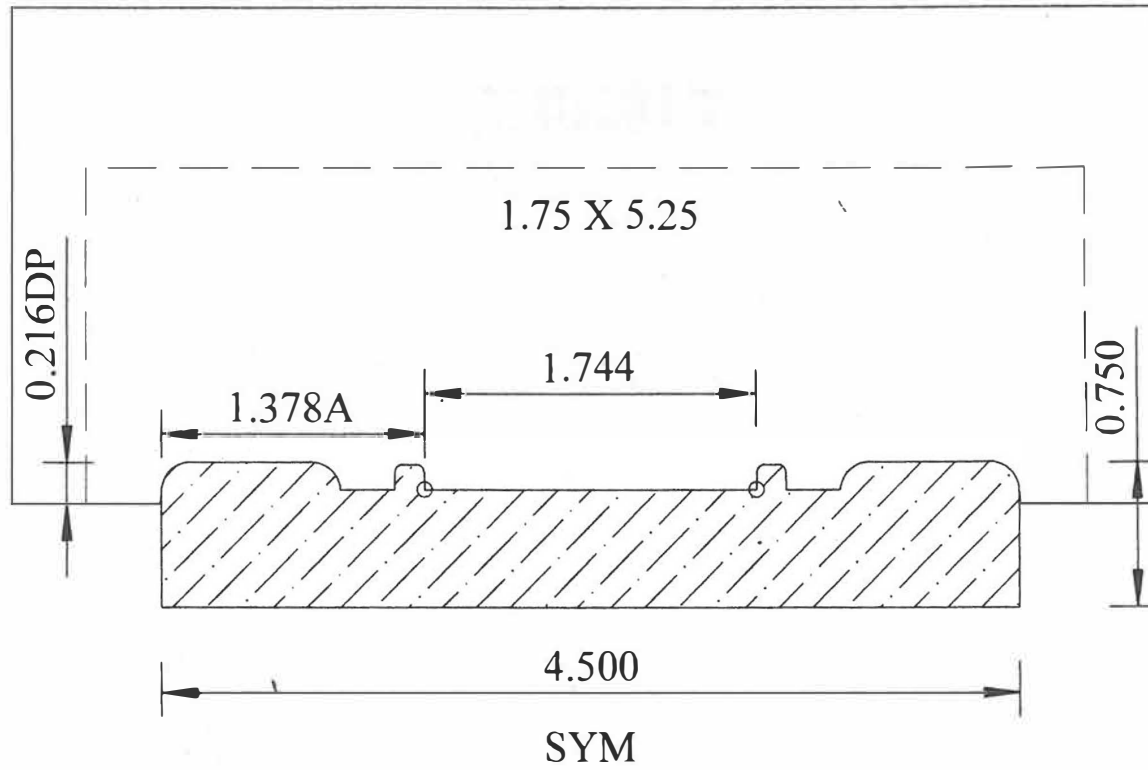
I-47



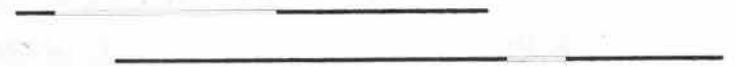
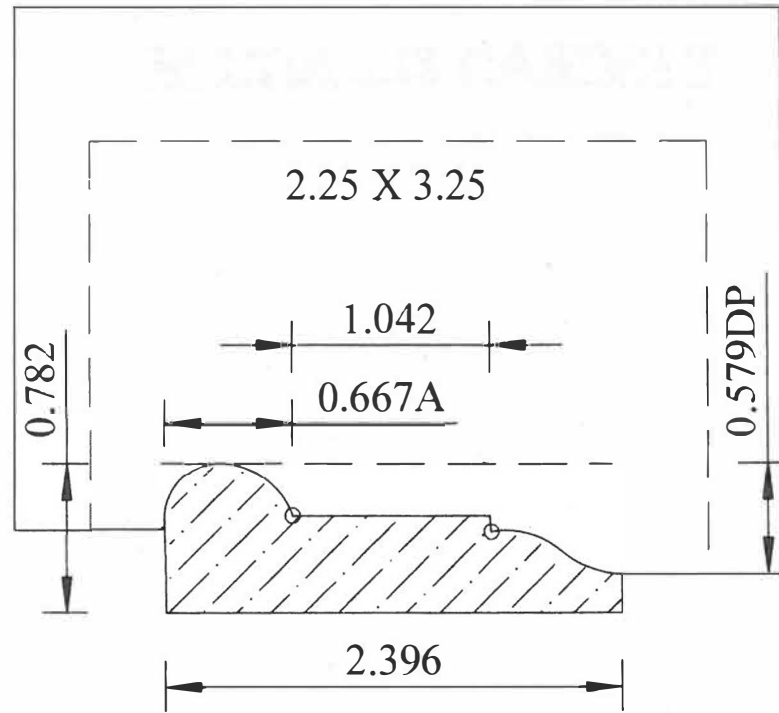
I-52



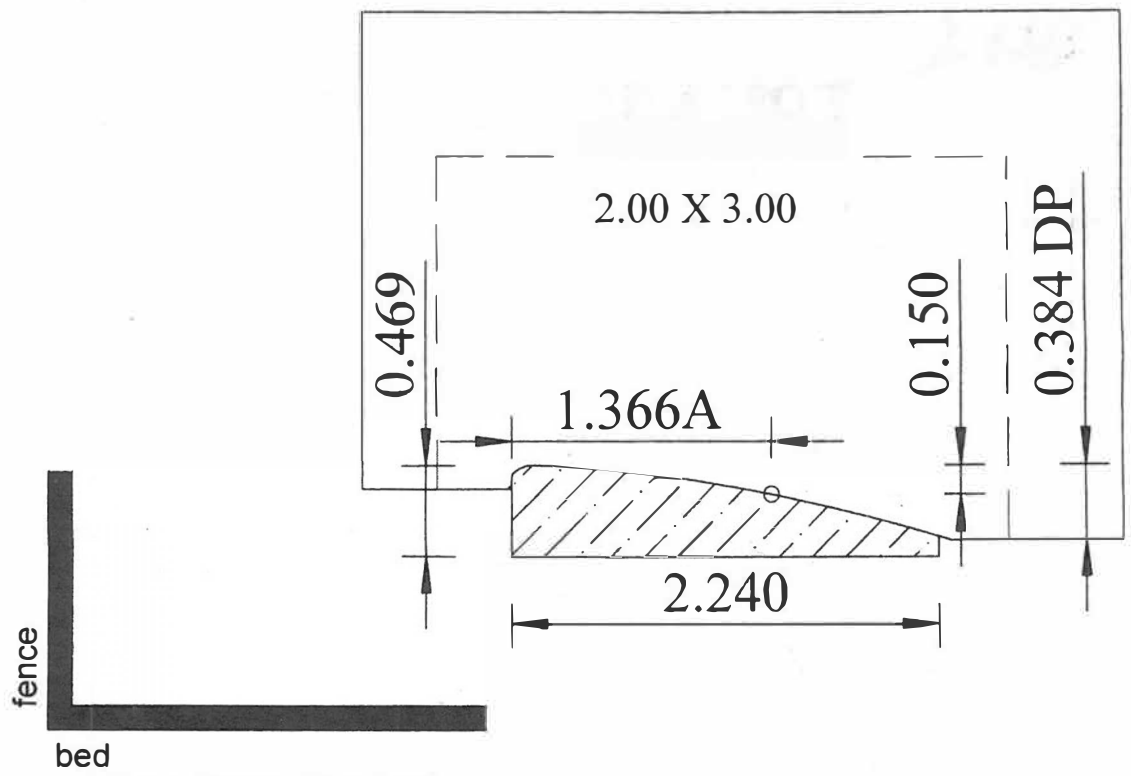
I-53



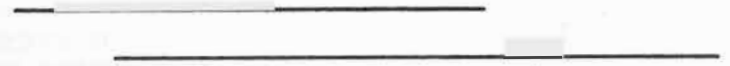
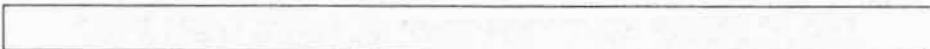
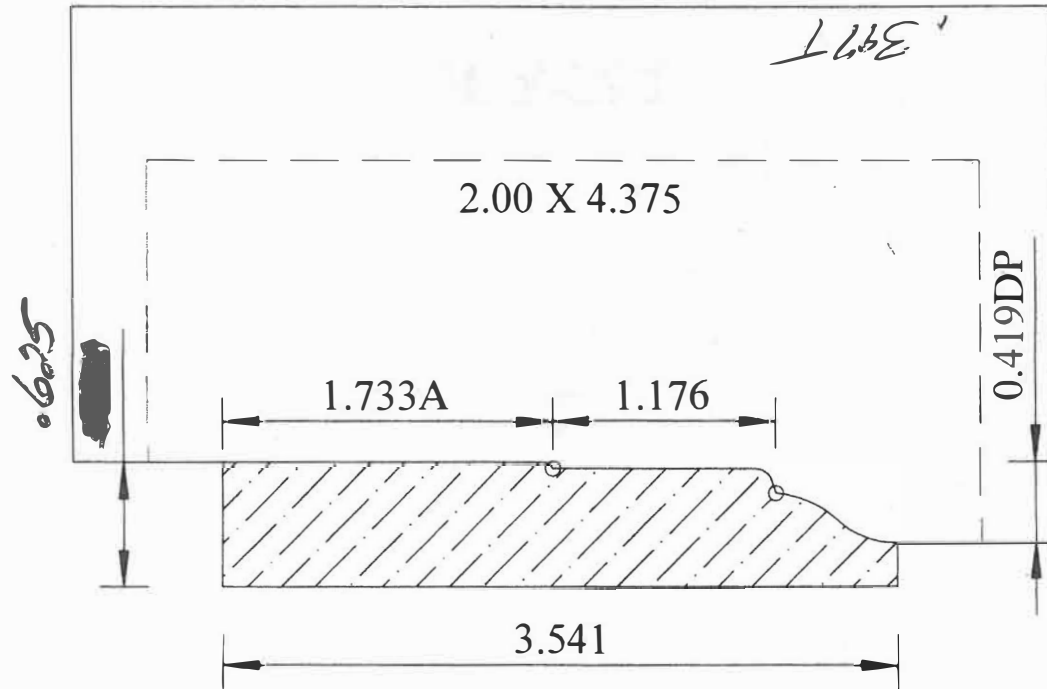
I-5H



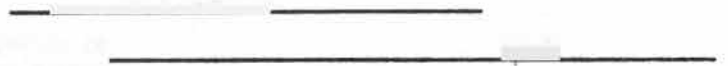
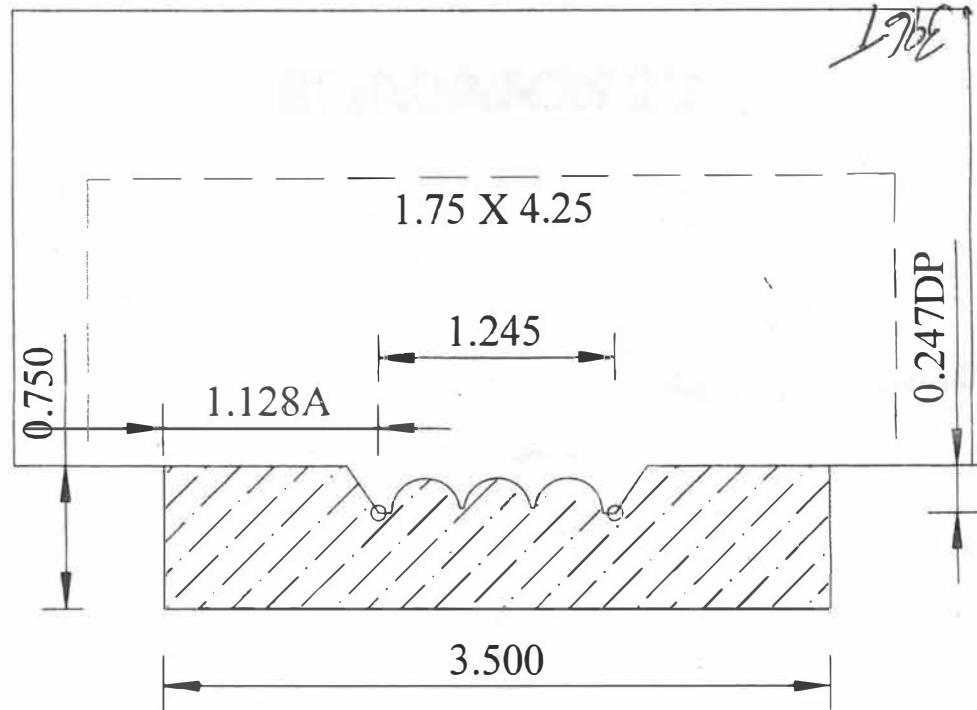
I-55



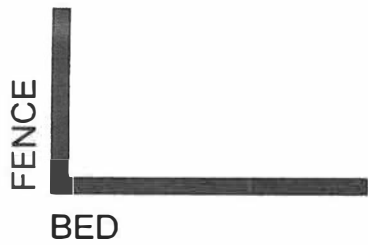
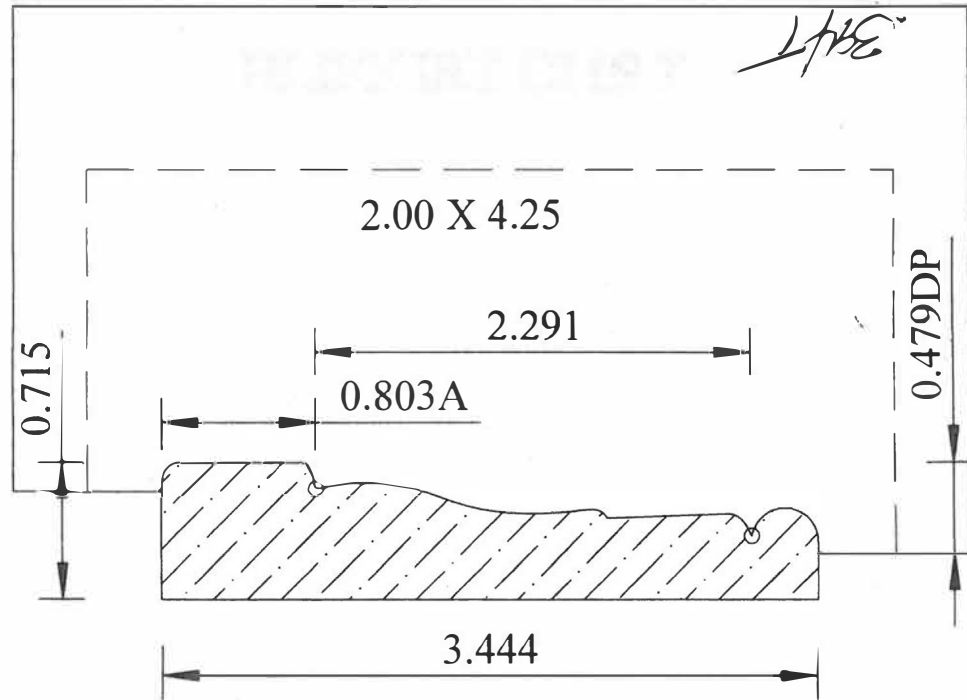
I-56



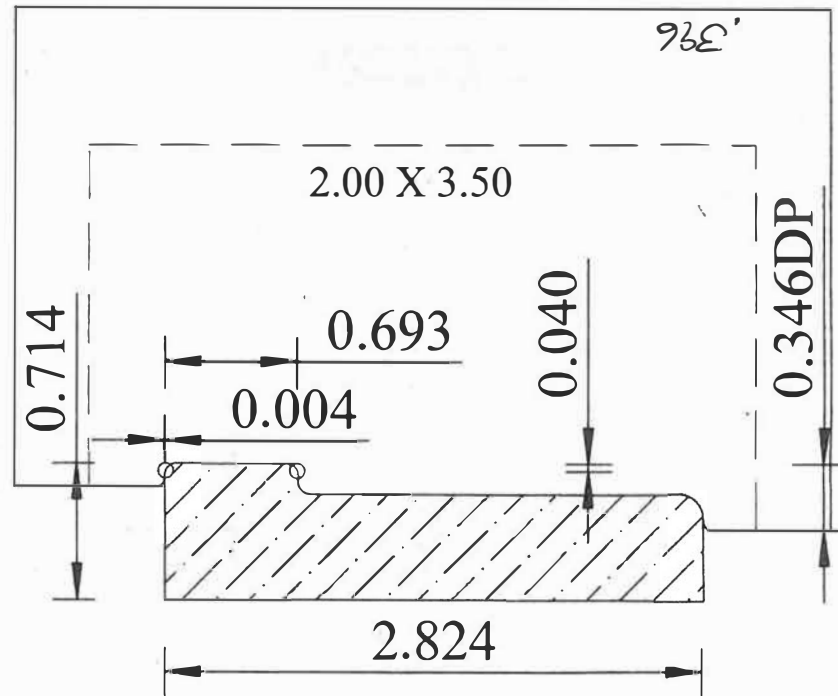
I-58



I-60



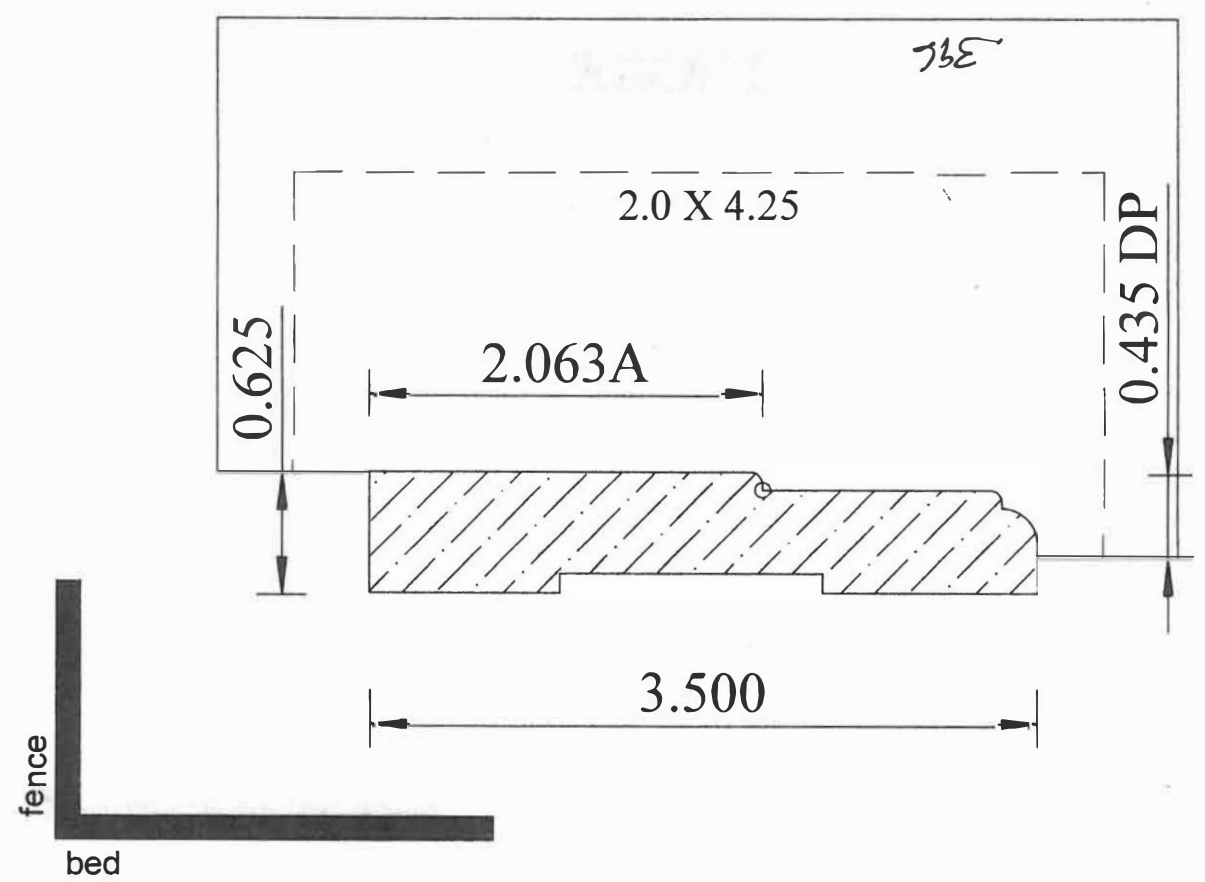
I-63



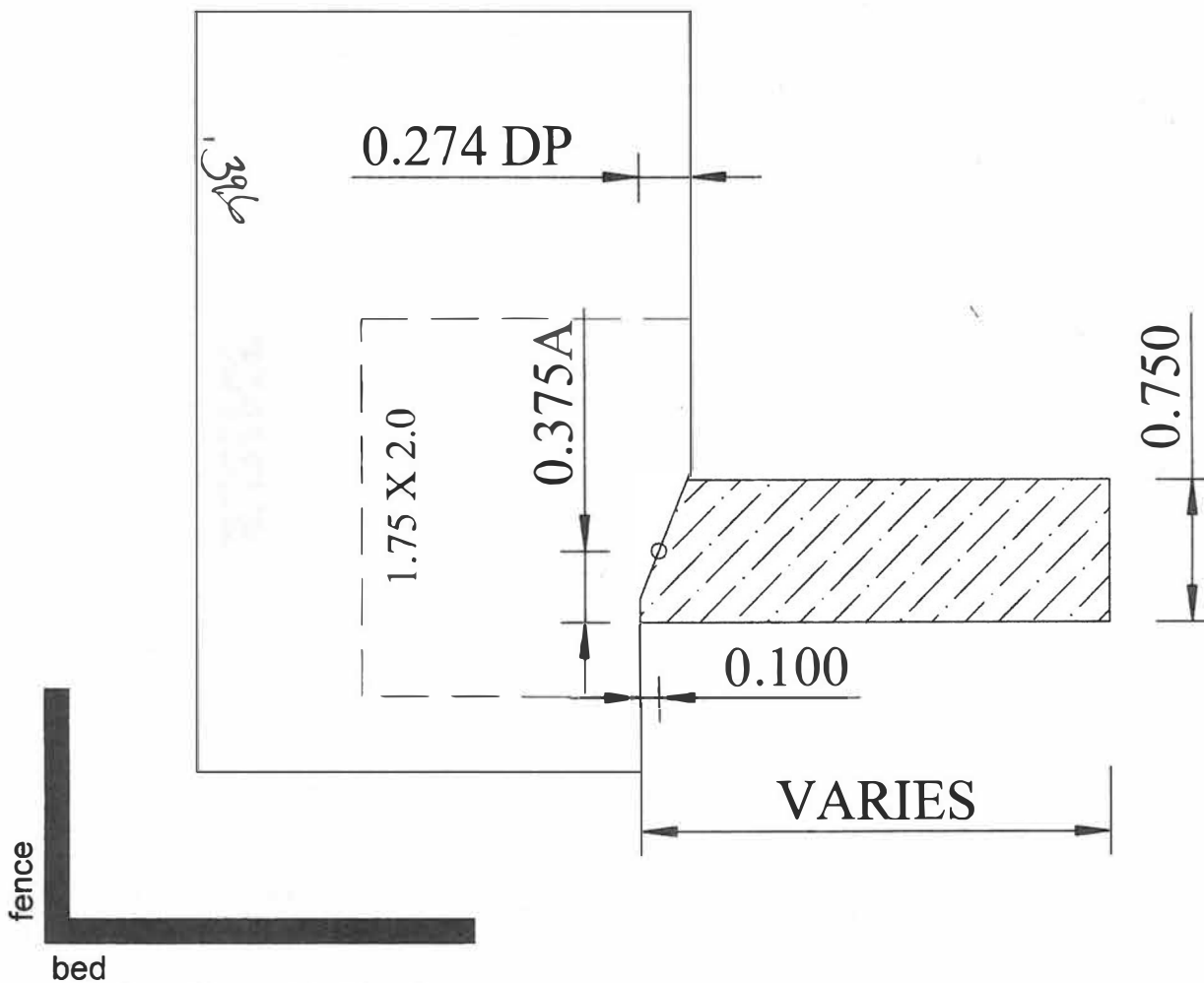
FENCE



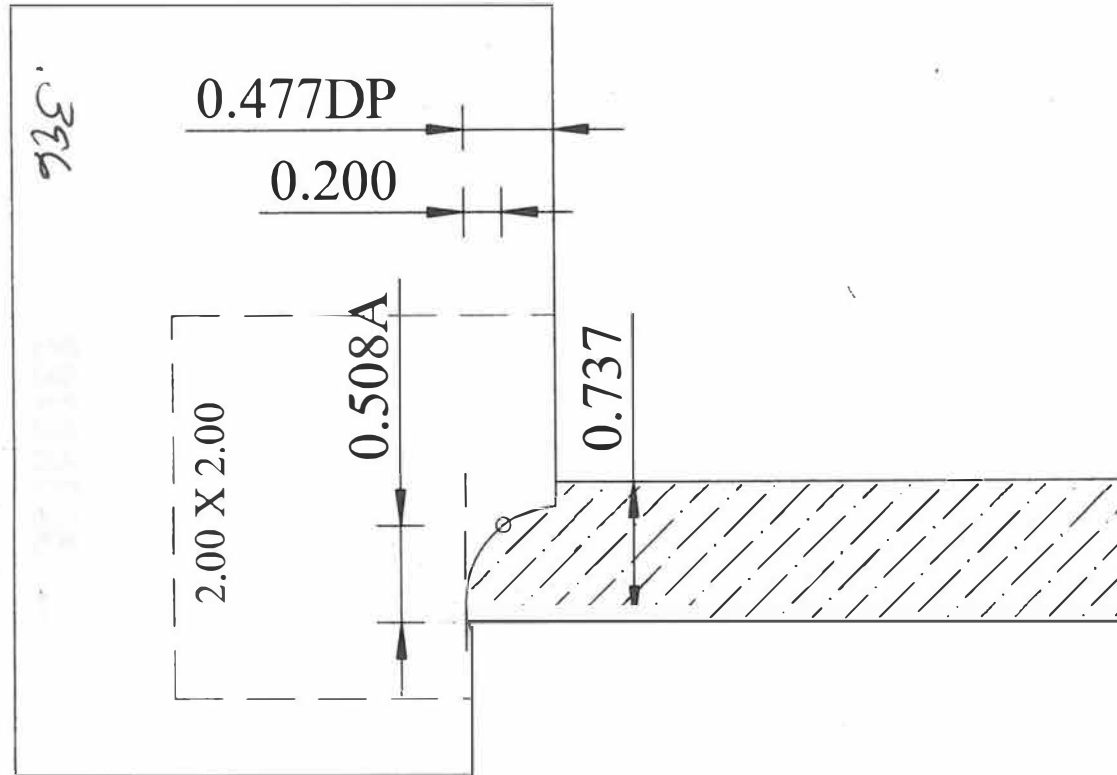
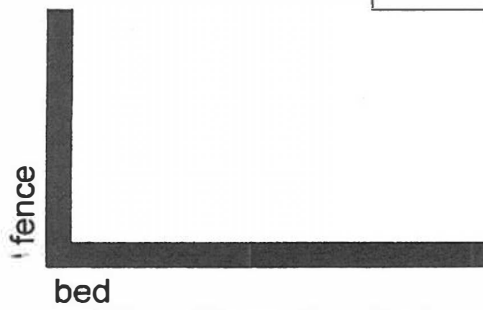
I-67



I-68

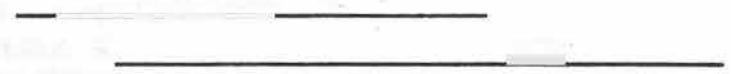
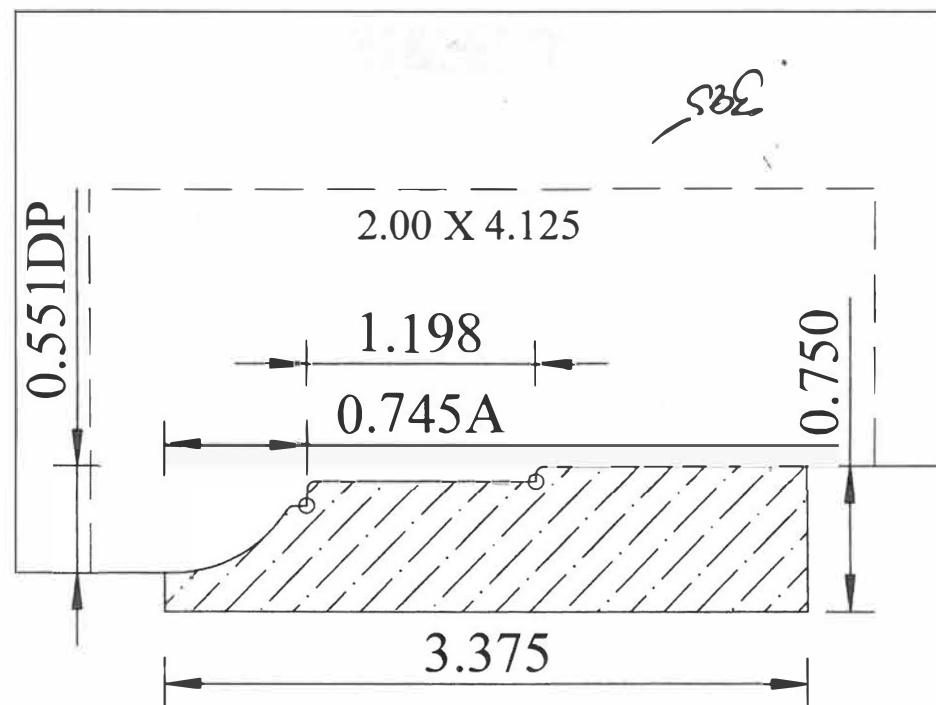


I-69

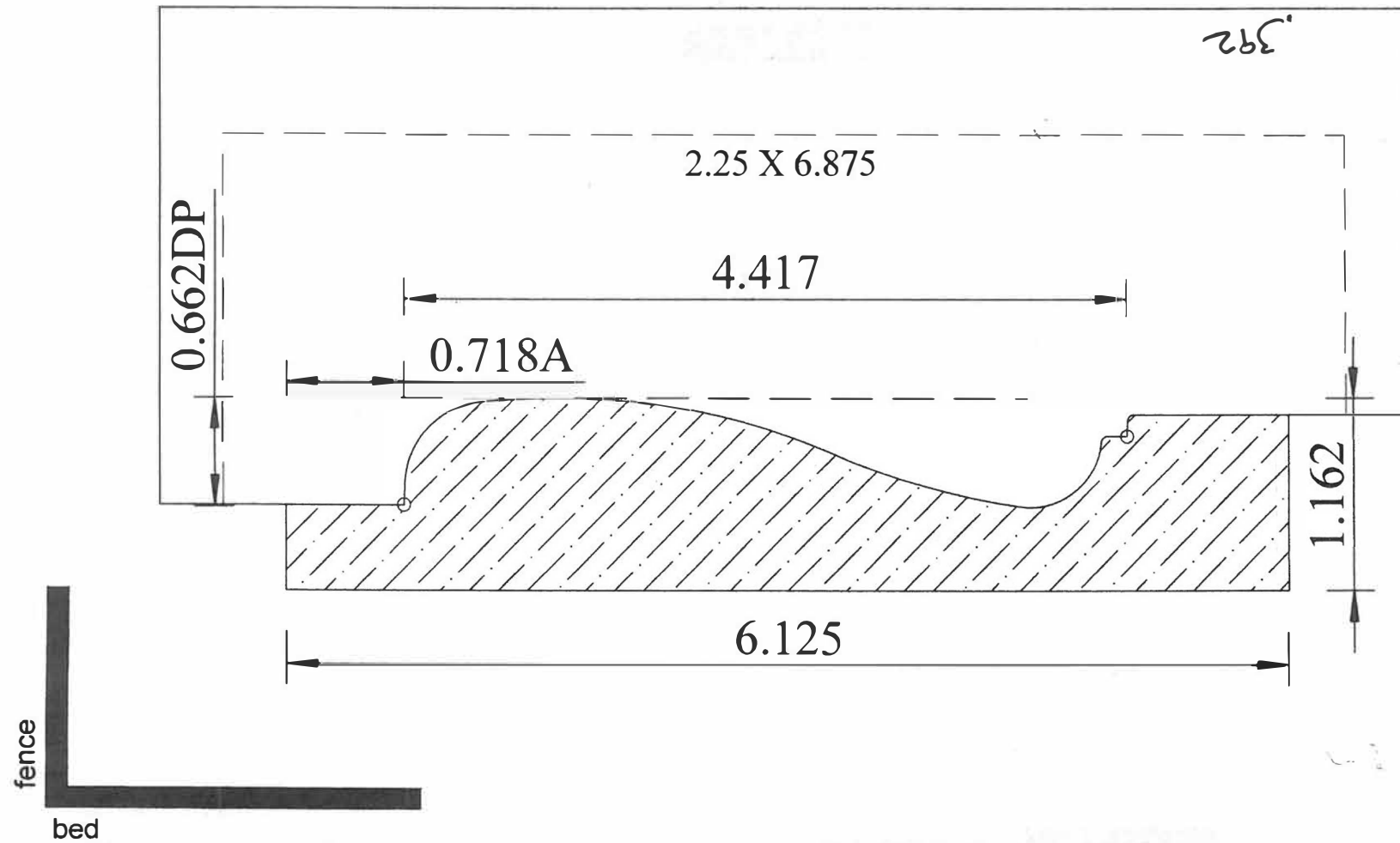


Faint, illegible text at the bottom of the page, possibly bleed-through from the reverse side.

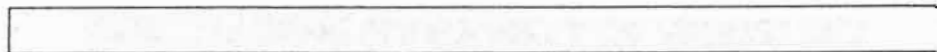
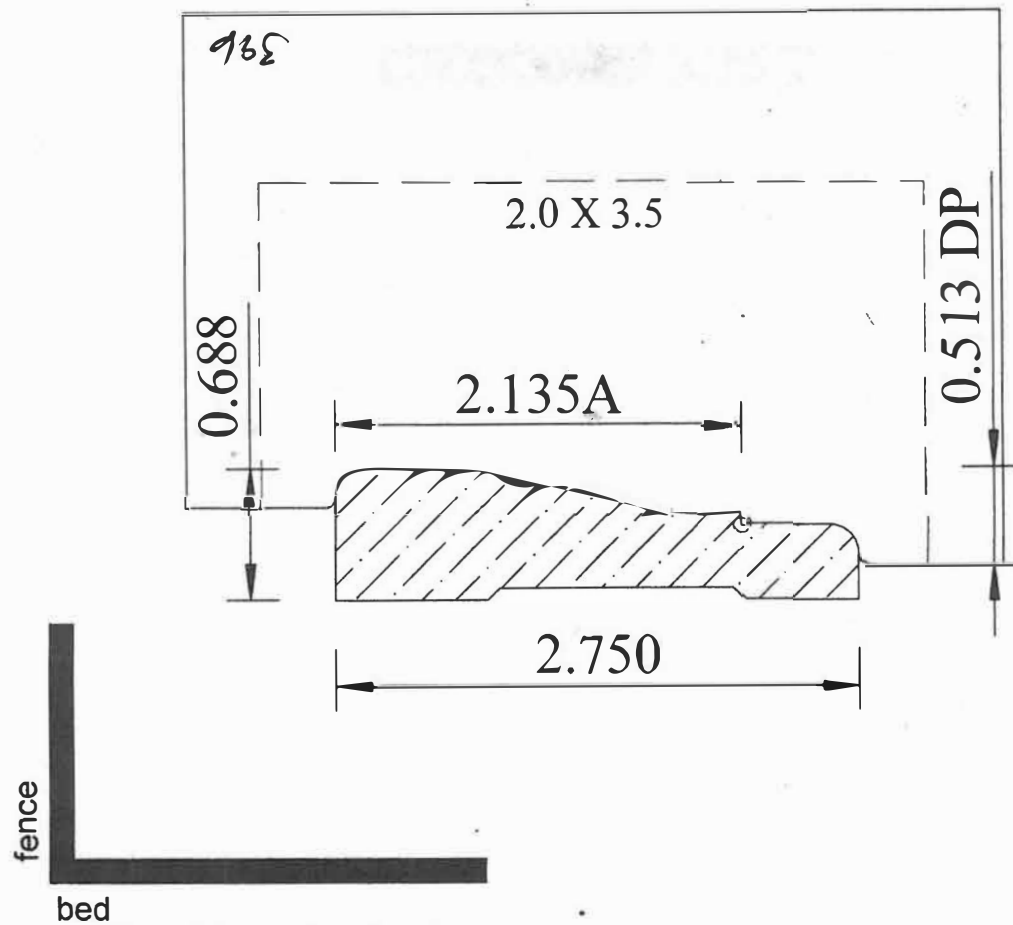
I-74



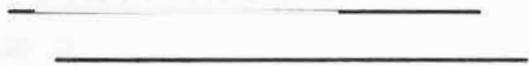
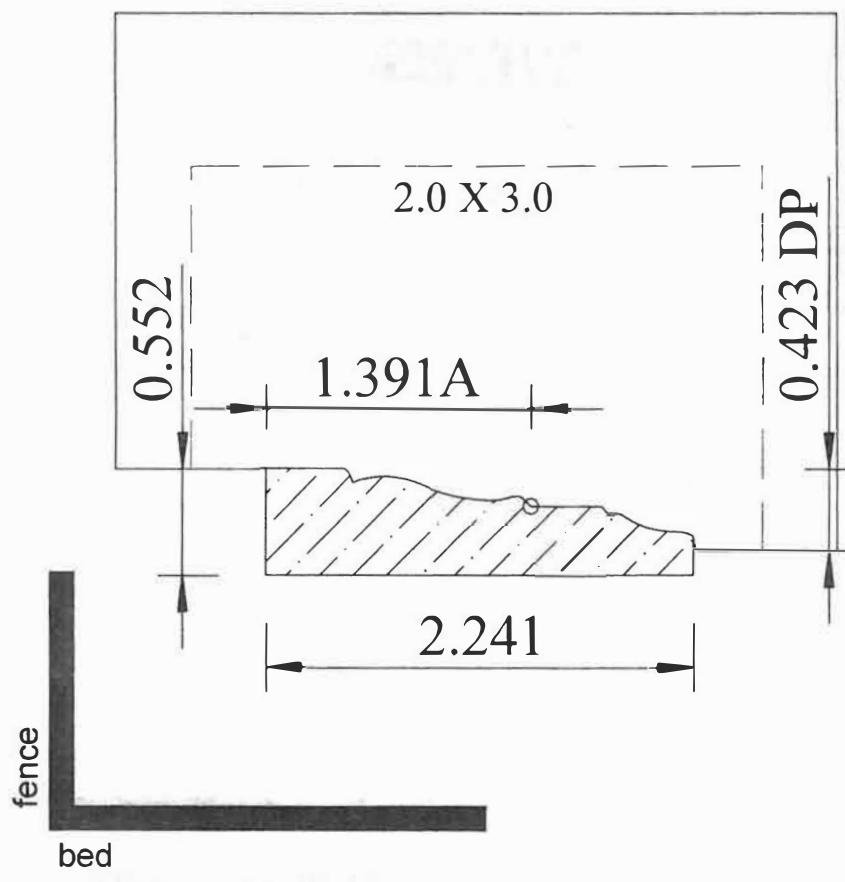
I-76



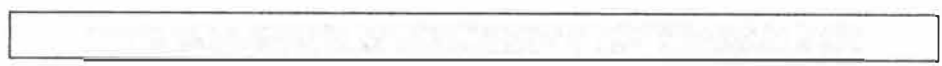
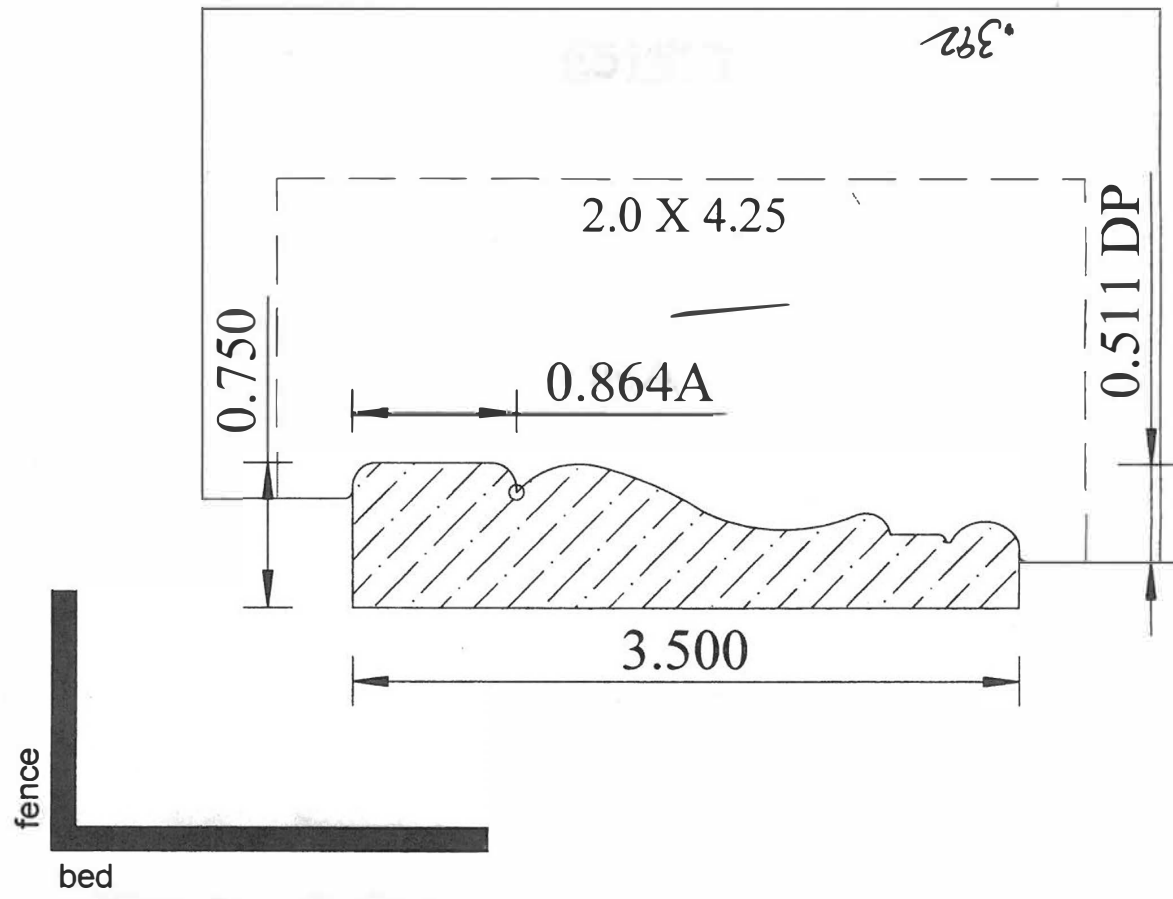
I-78



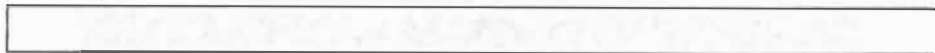
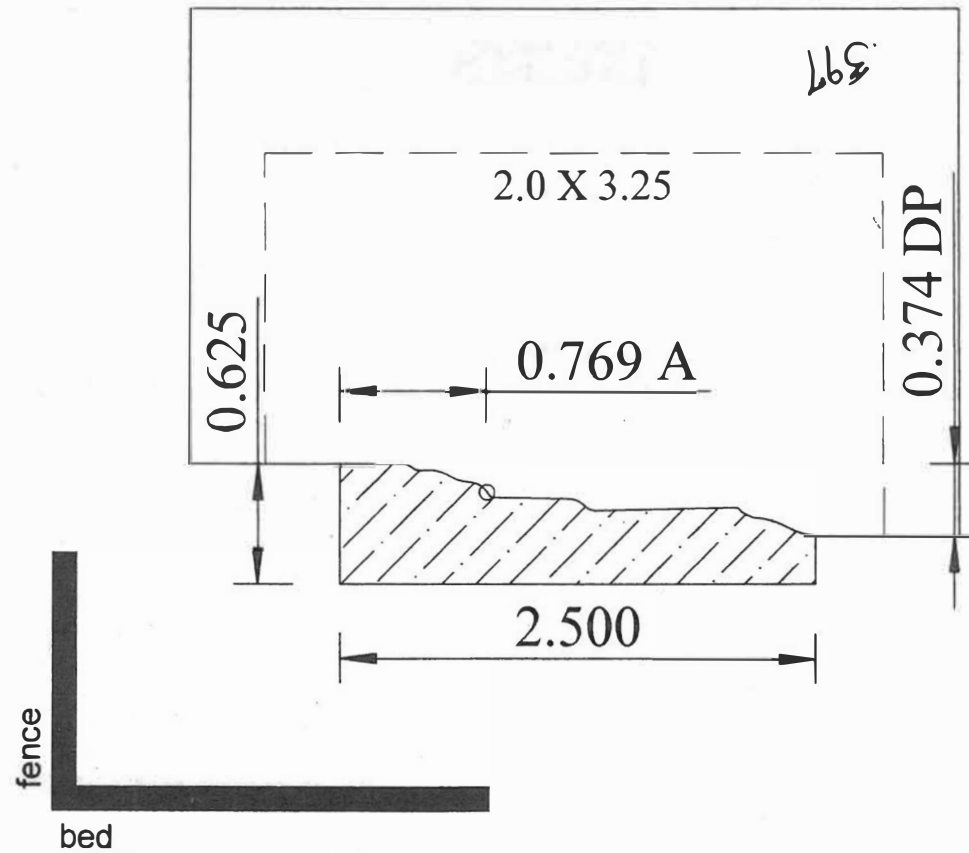
I-79



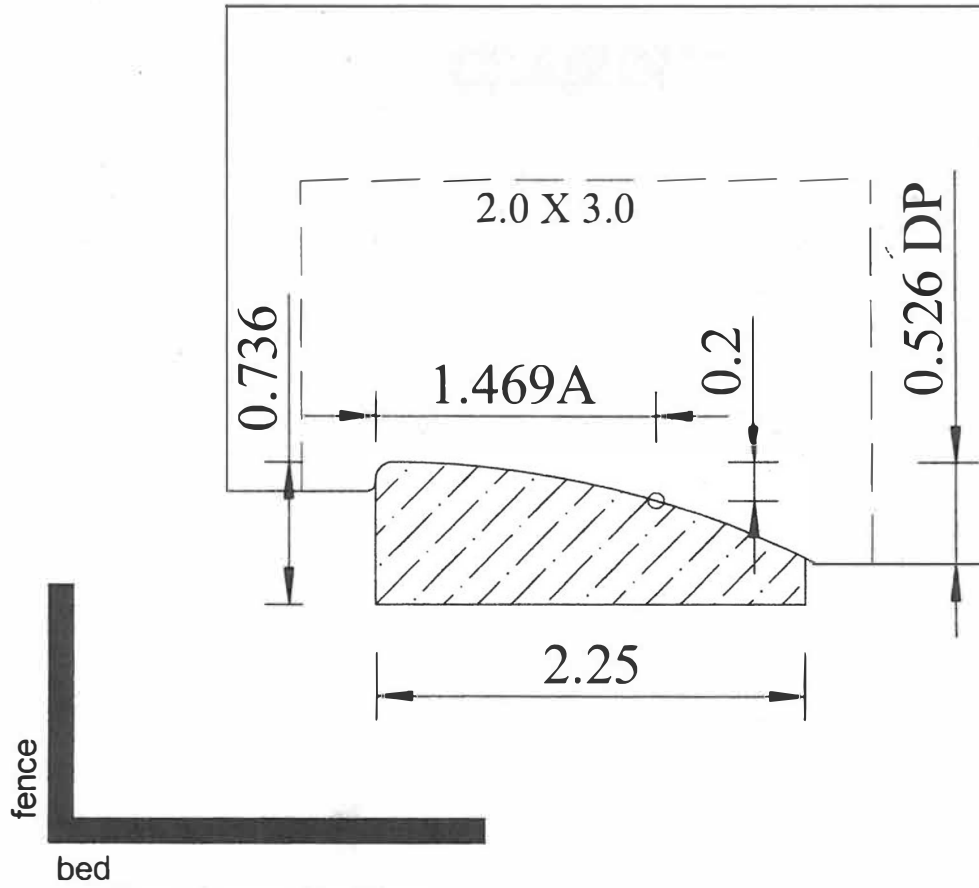
I-83



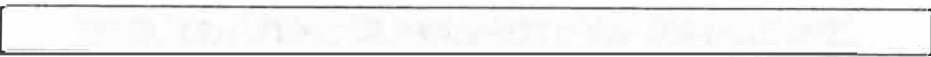
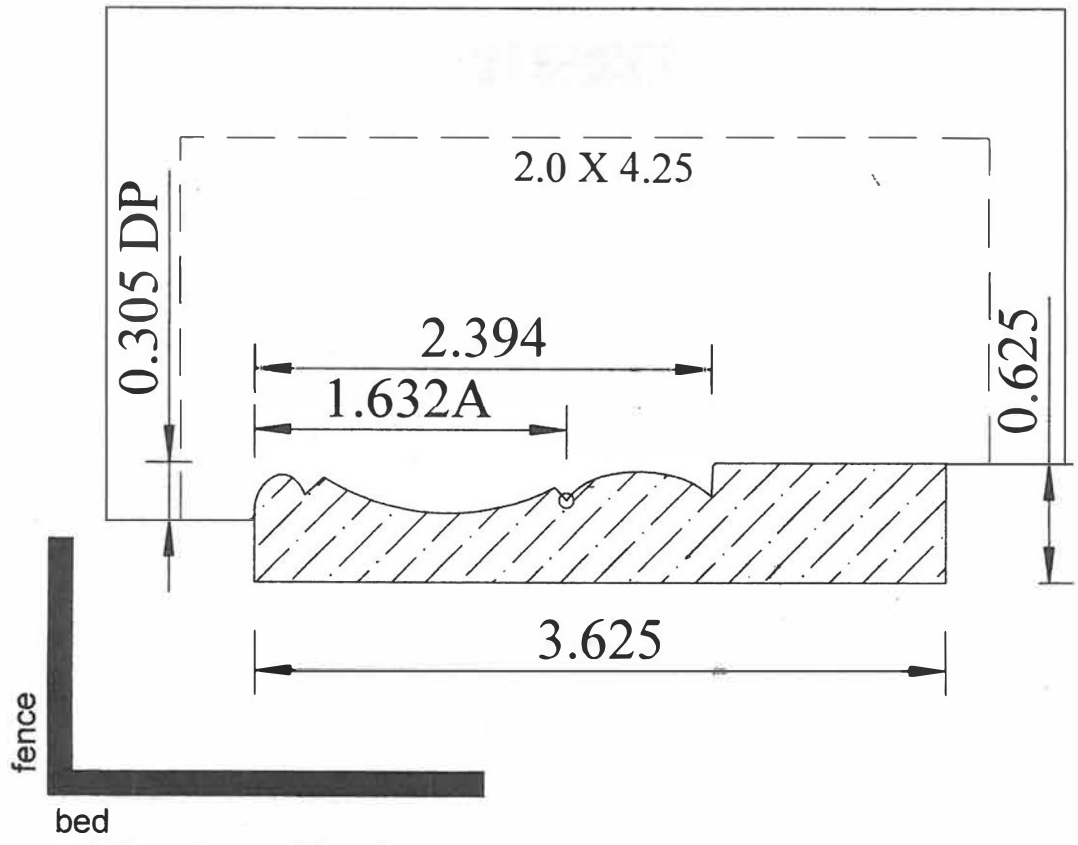
I-86



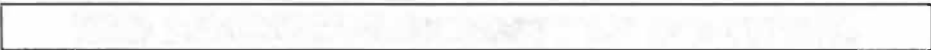
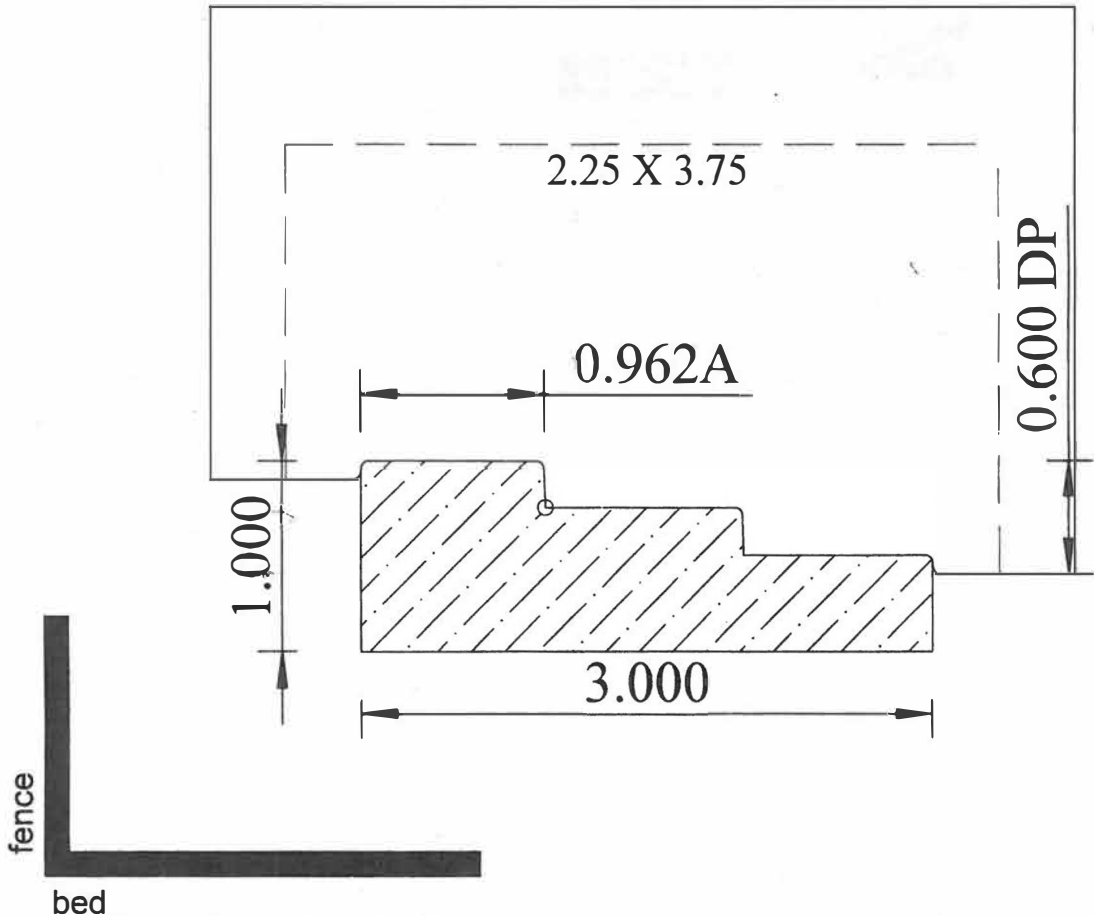
I-87



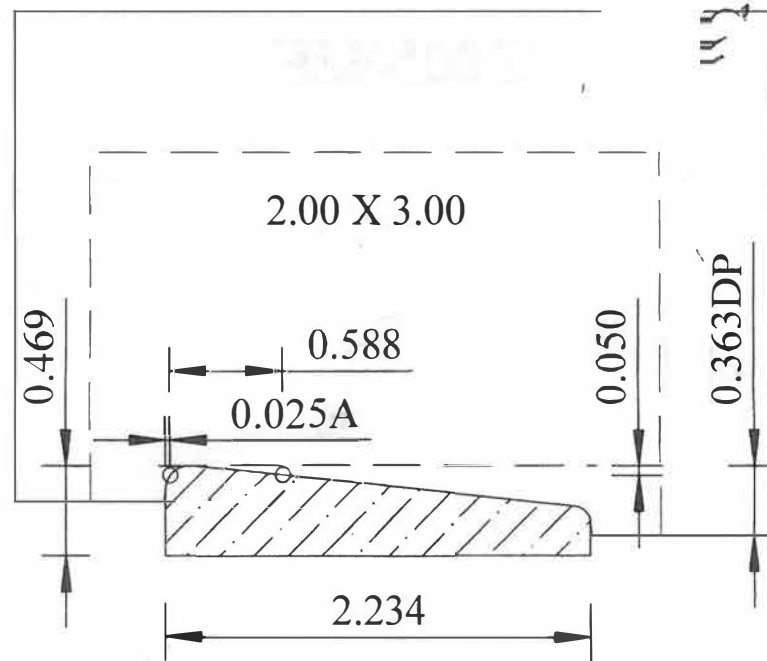
I-90



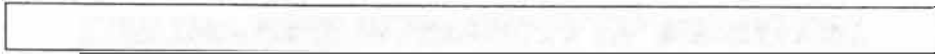
I-94



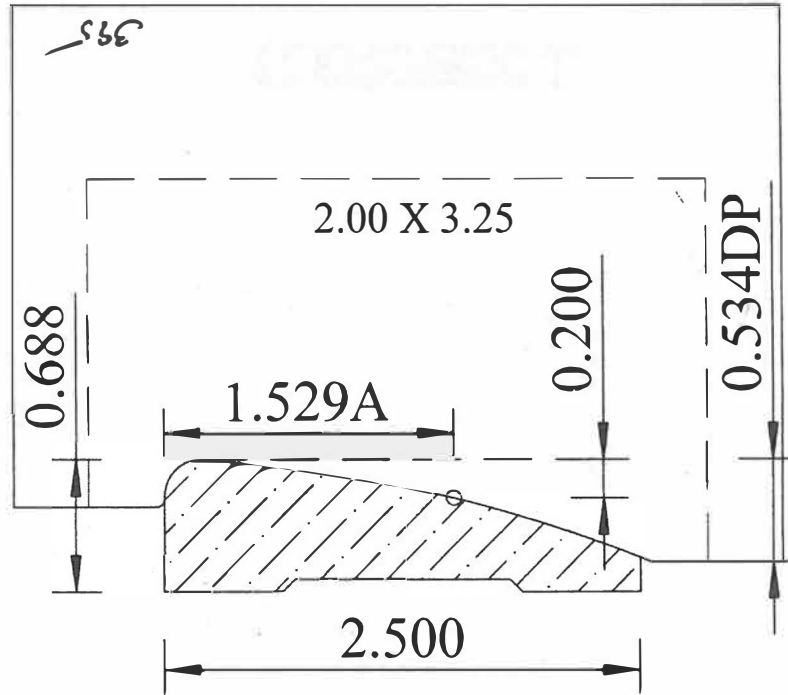
J-55



FENCE

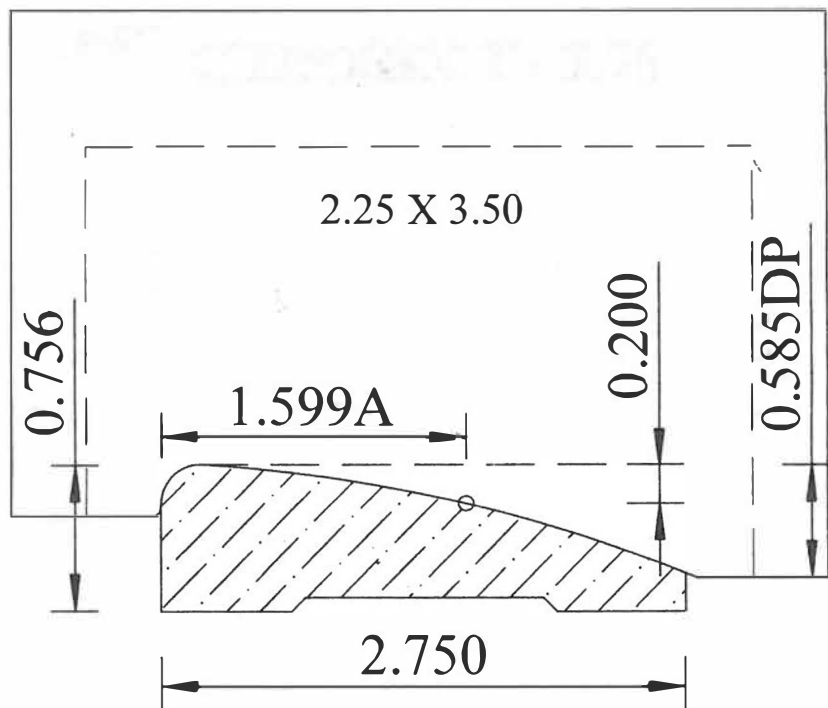


J-63



fence

J-64



fence

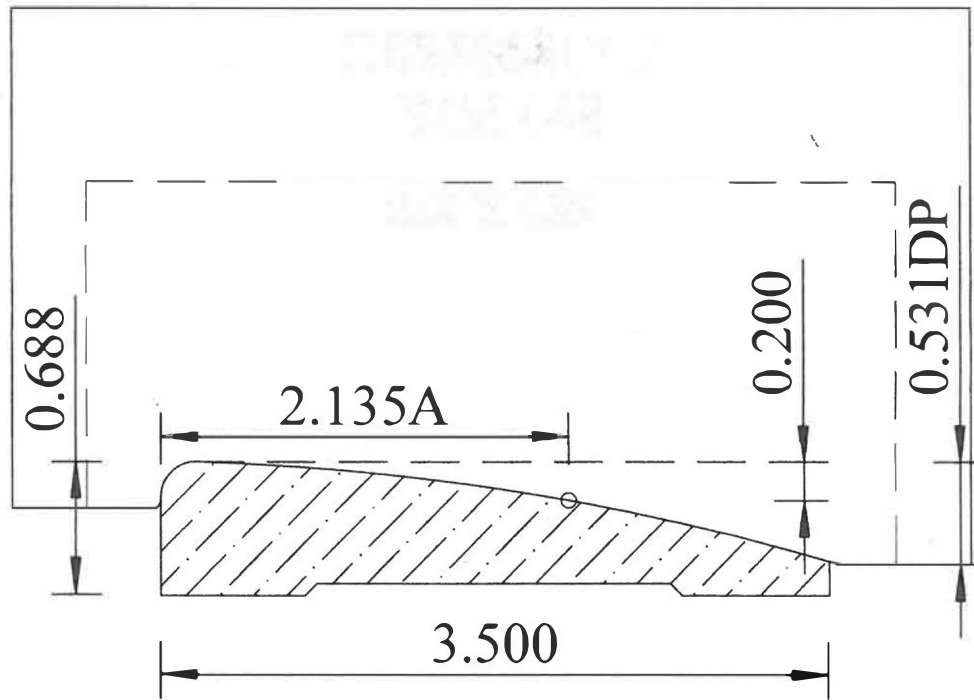
bed
V



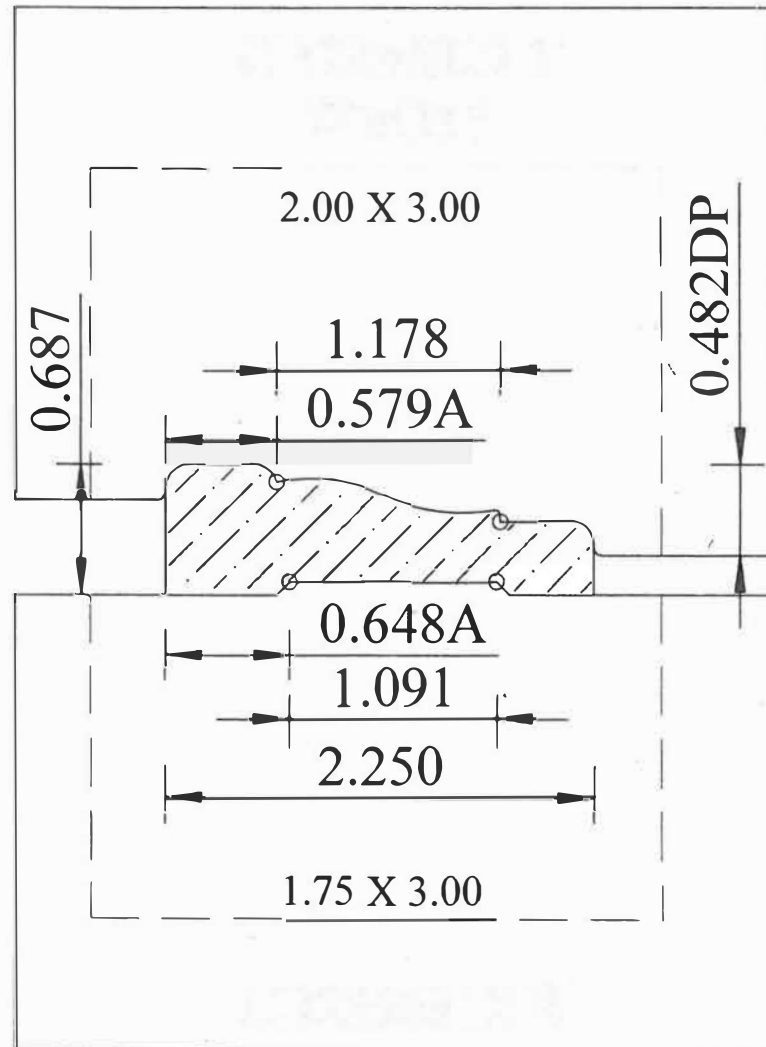
J-65

fence

V_a



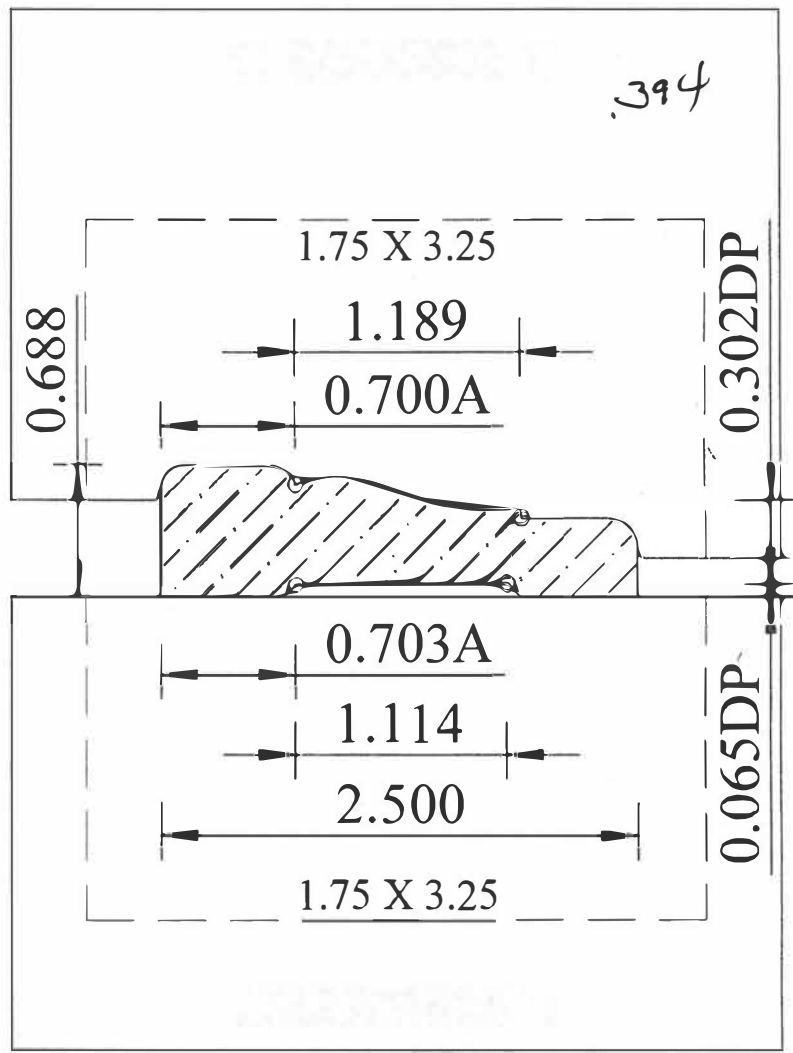
J-67



fence

J-68

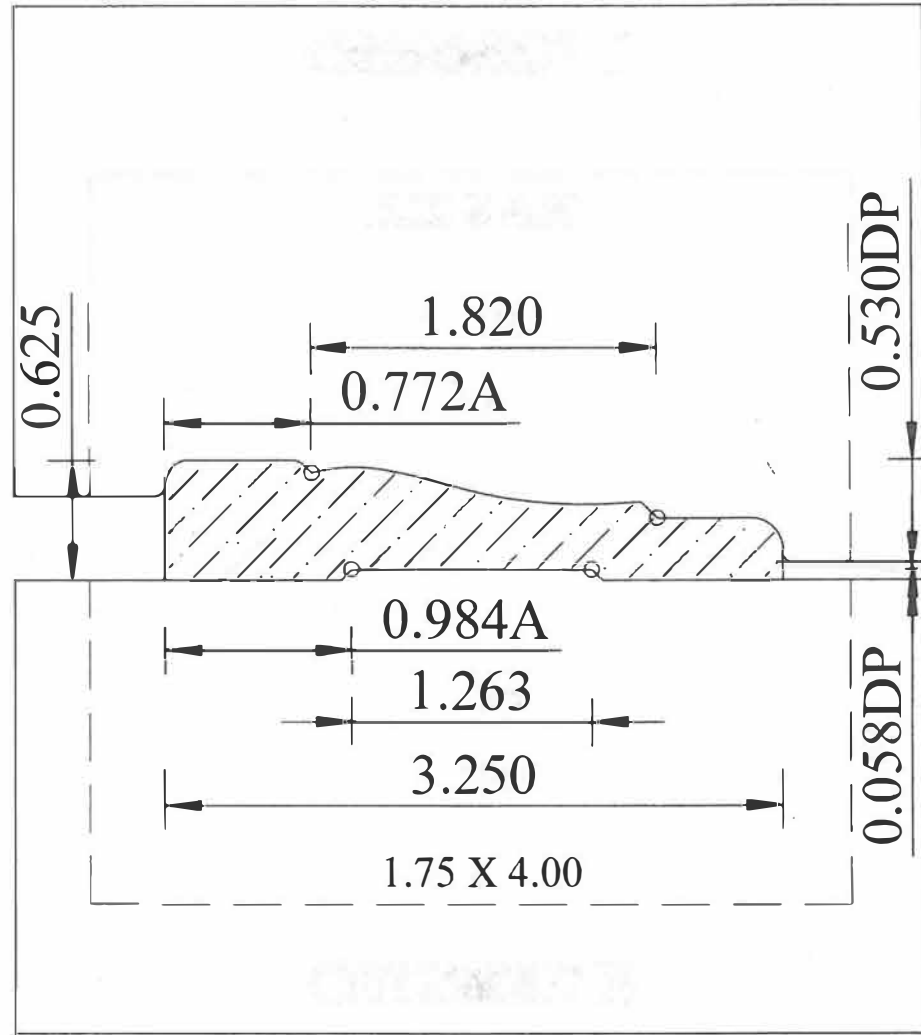
.394



fence



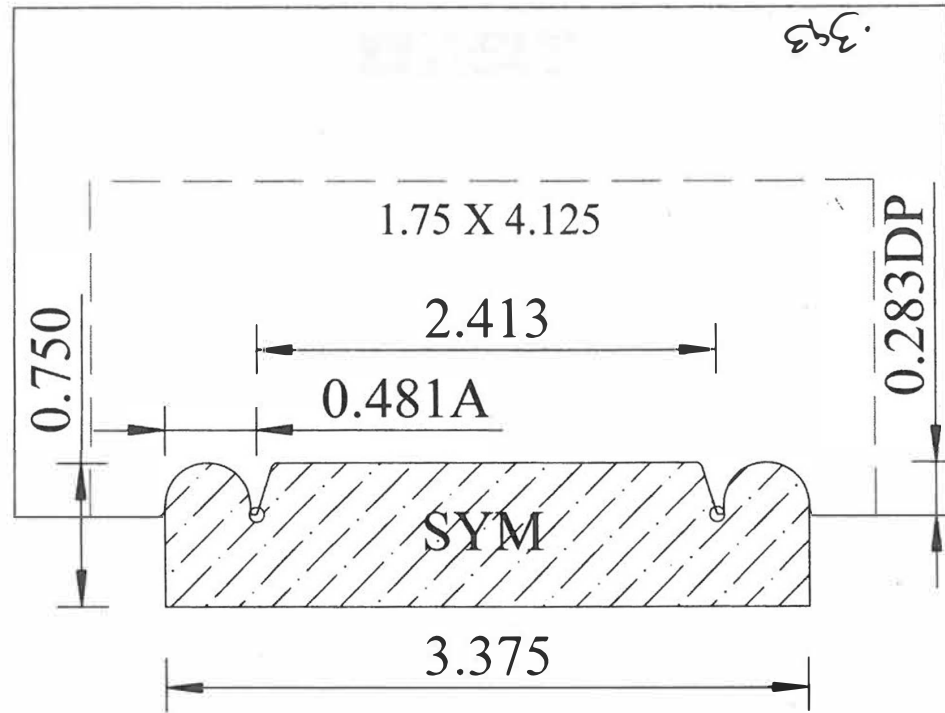
J-69



fence



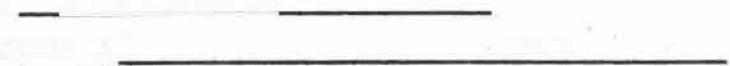
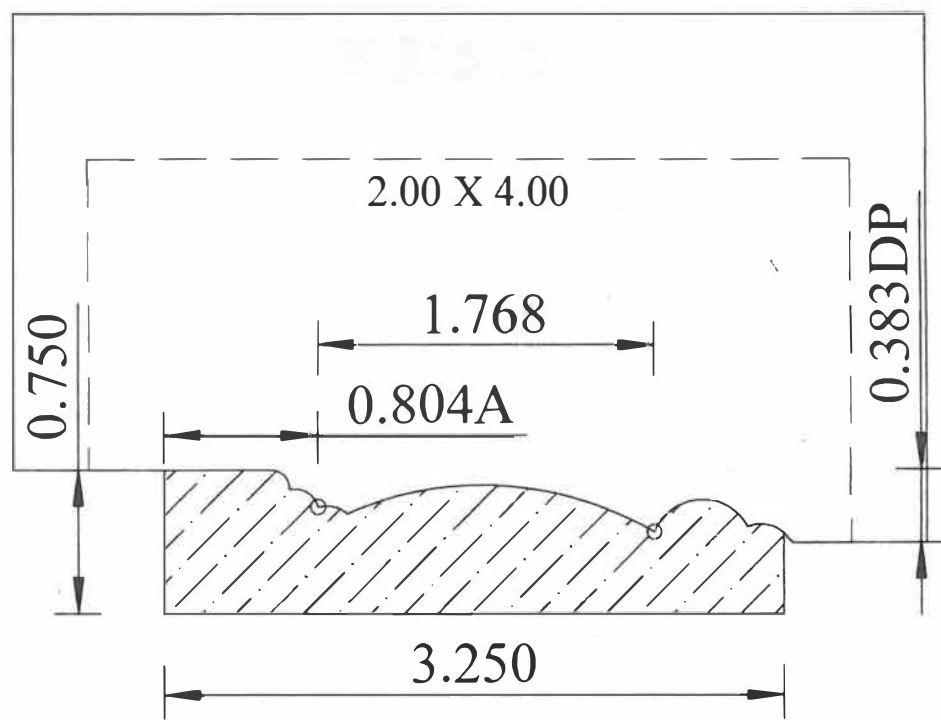
J-74



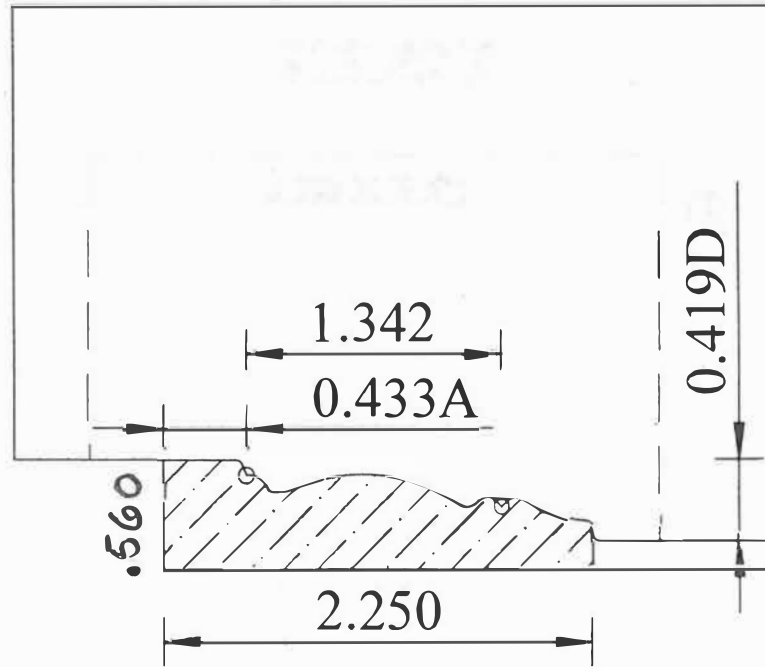
fence



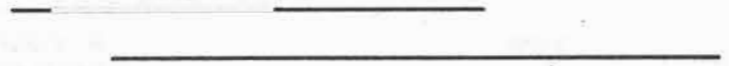
J-76



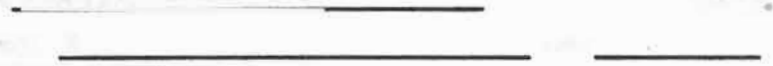
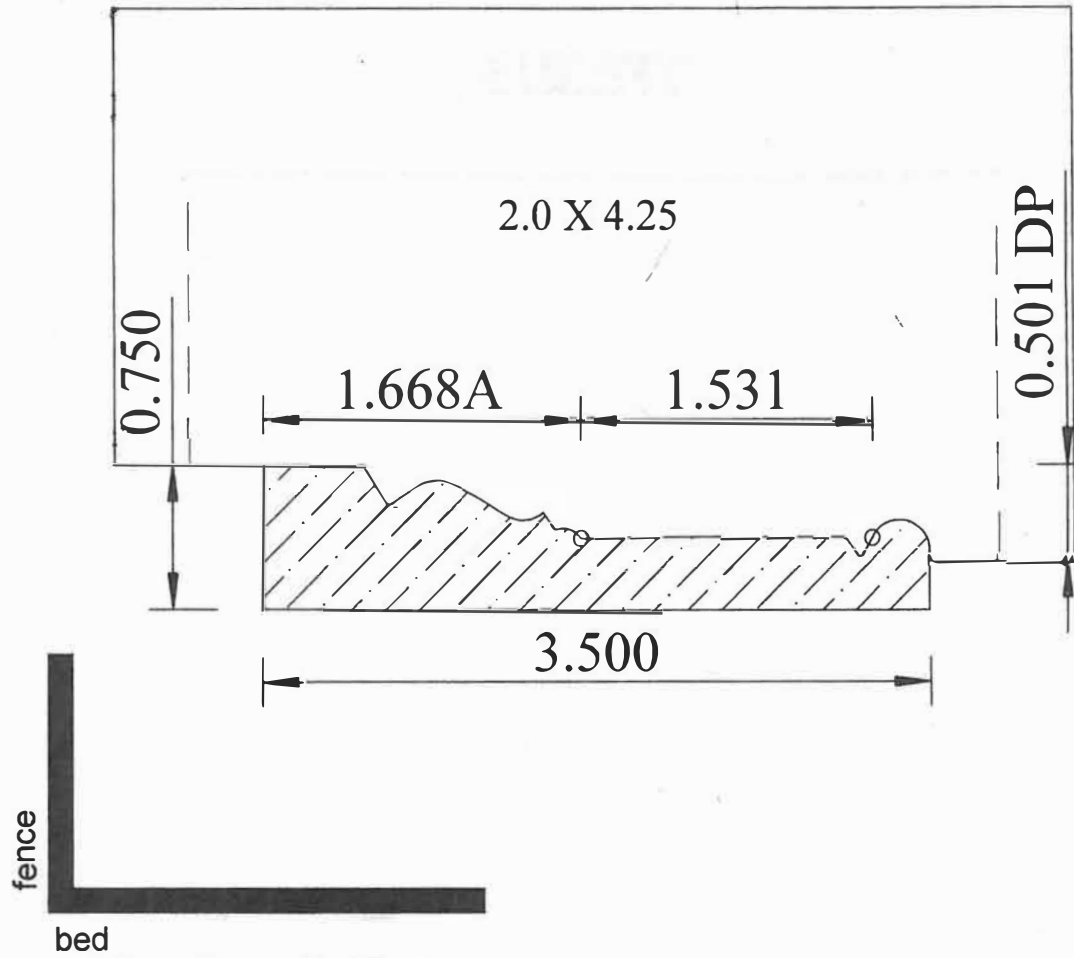
J-77



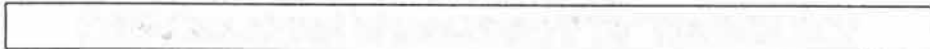
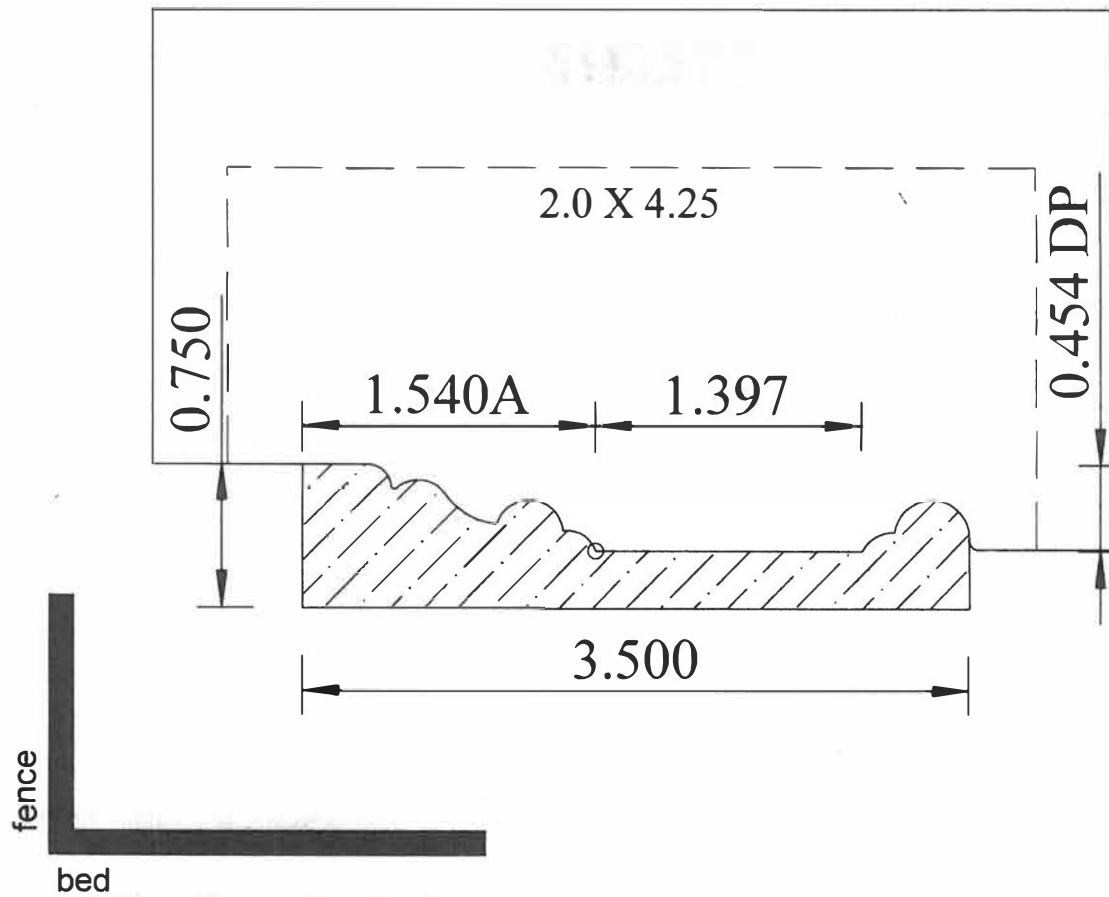
fence



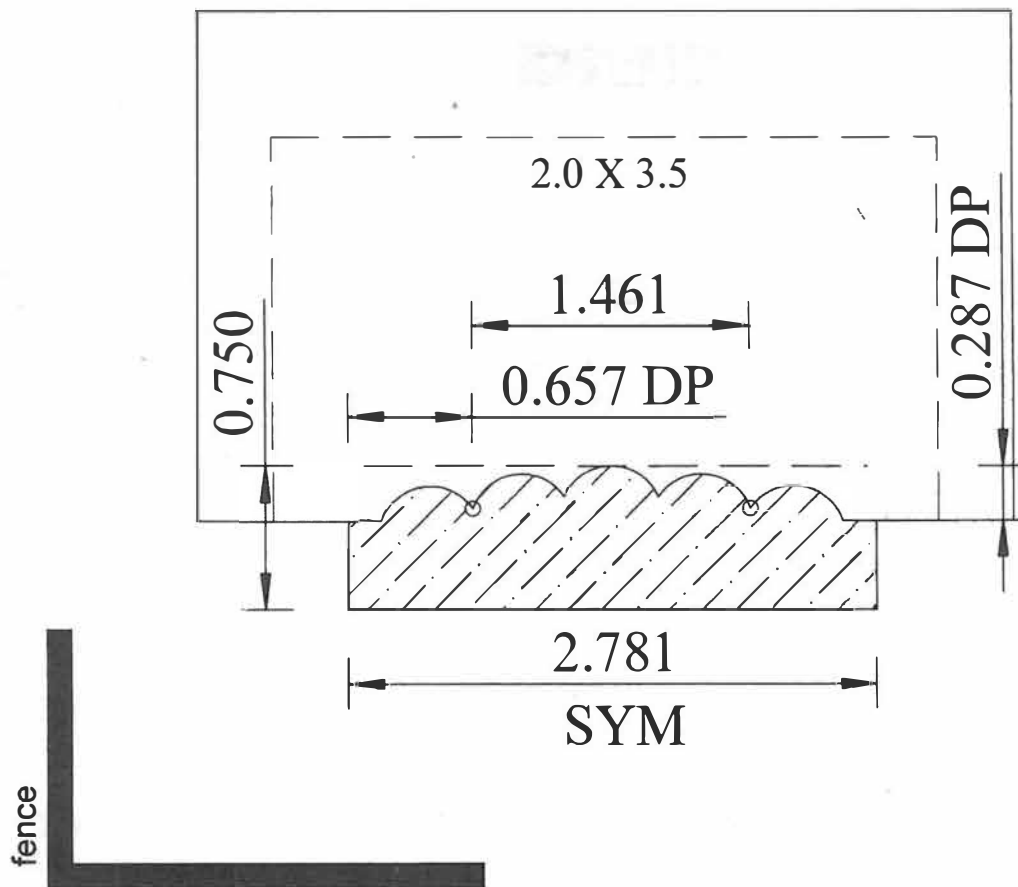
J-79



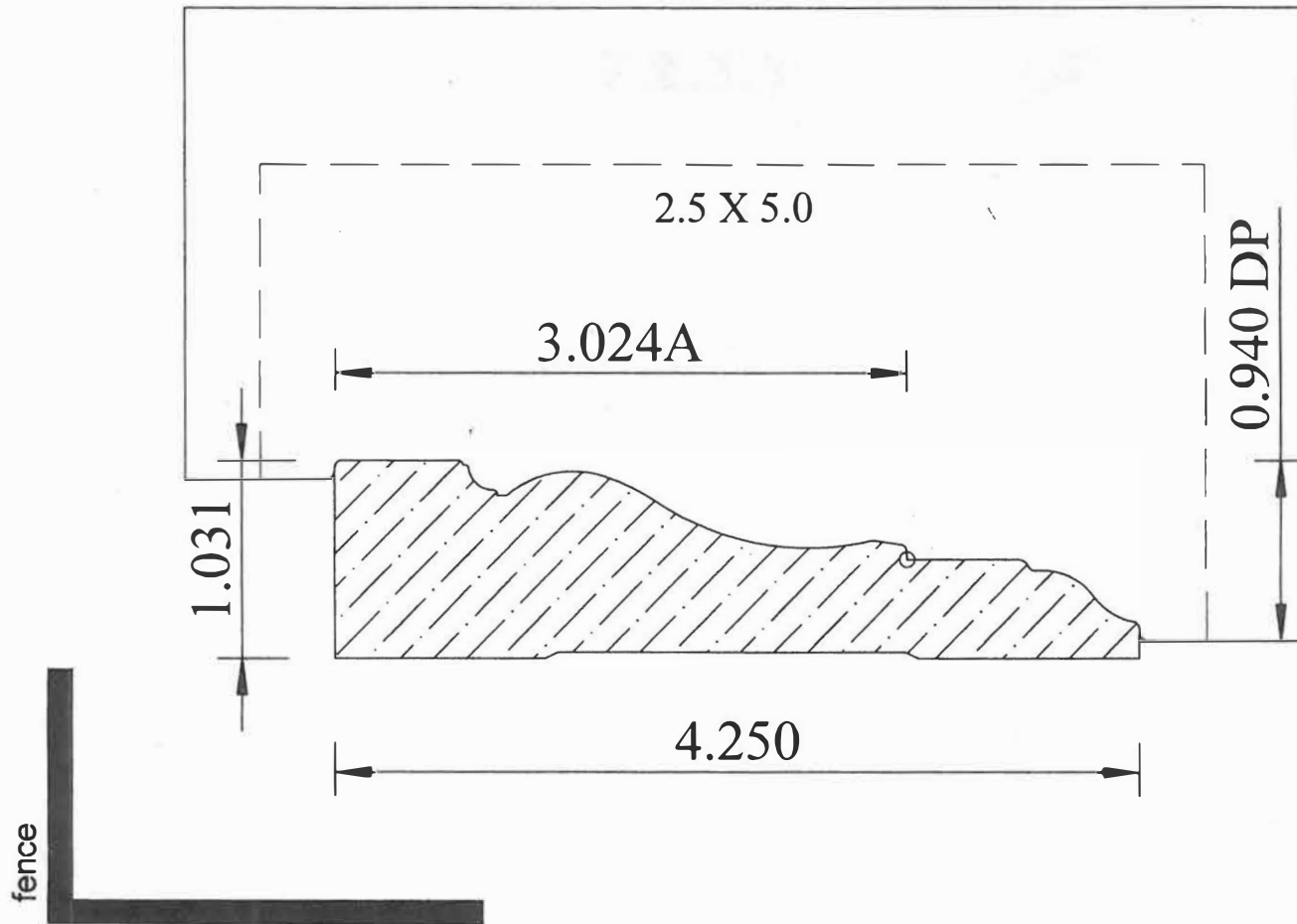
J-80



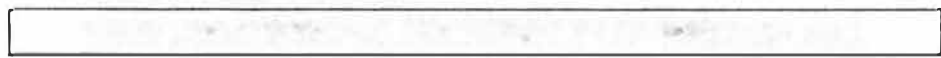
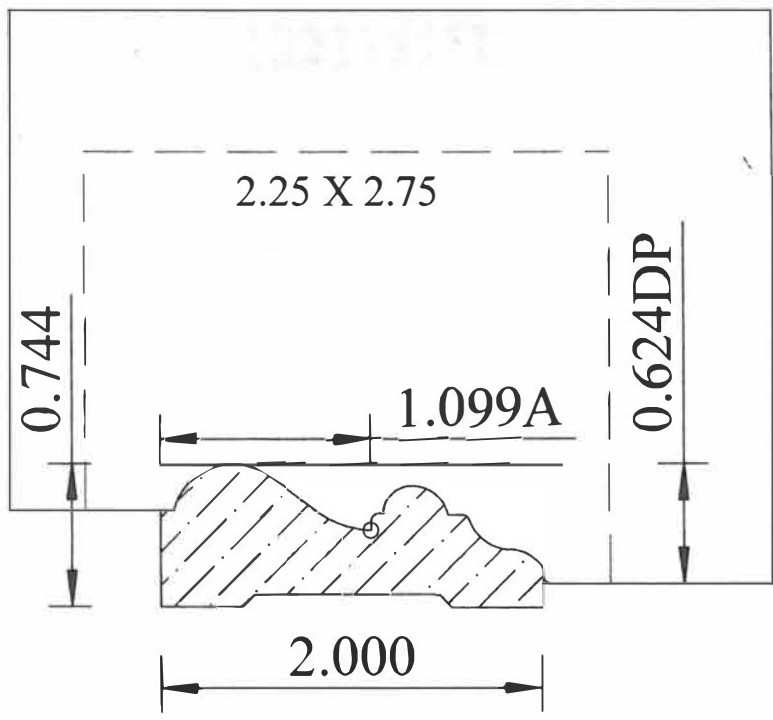
J-81



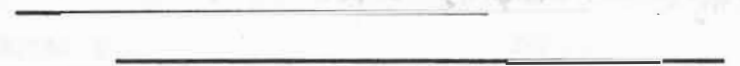
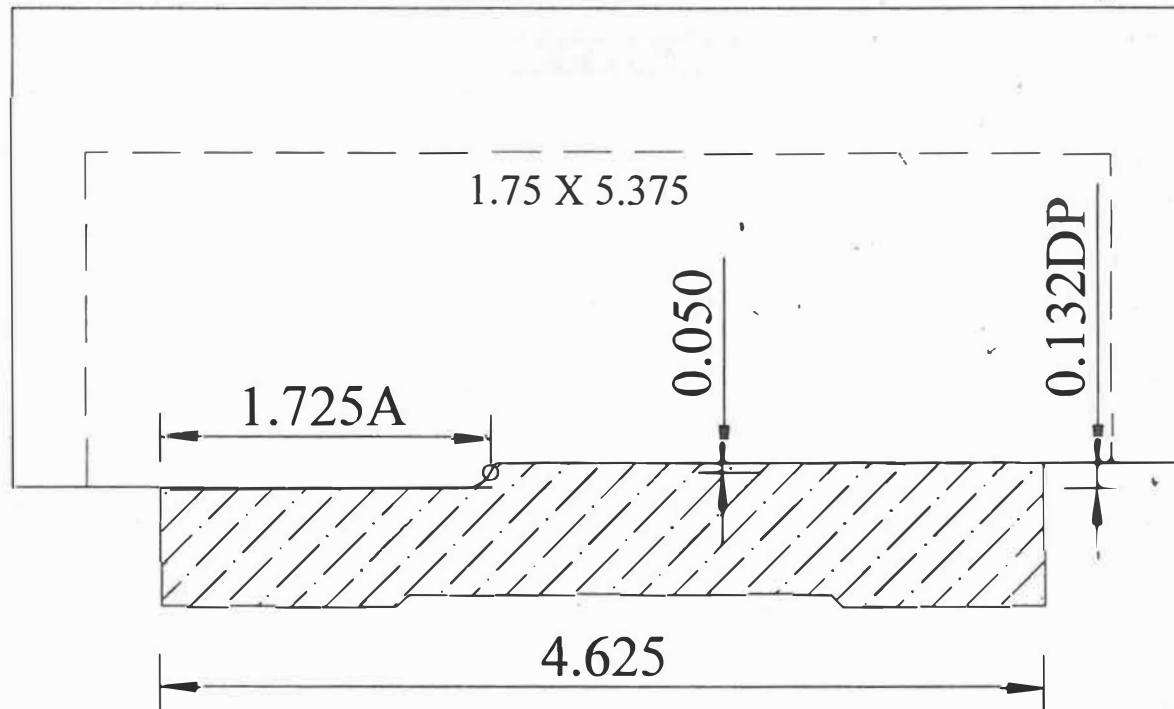
J-84



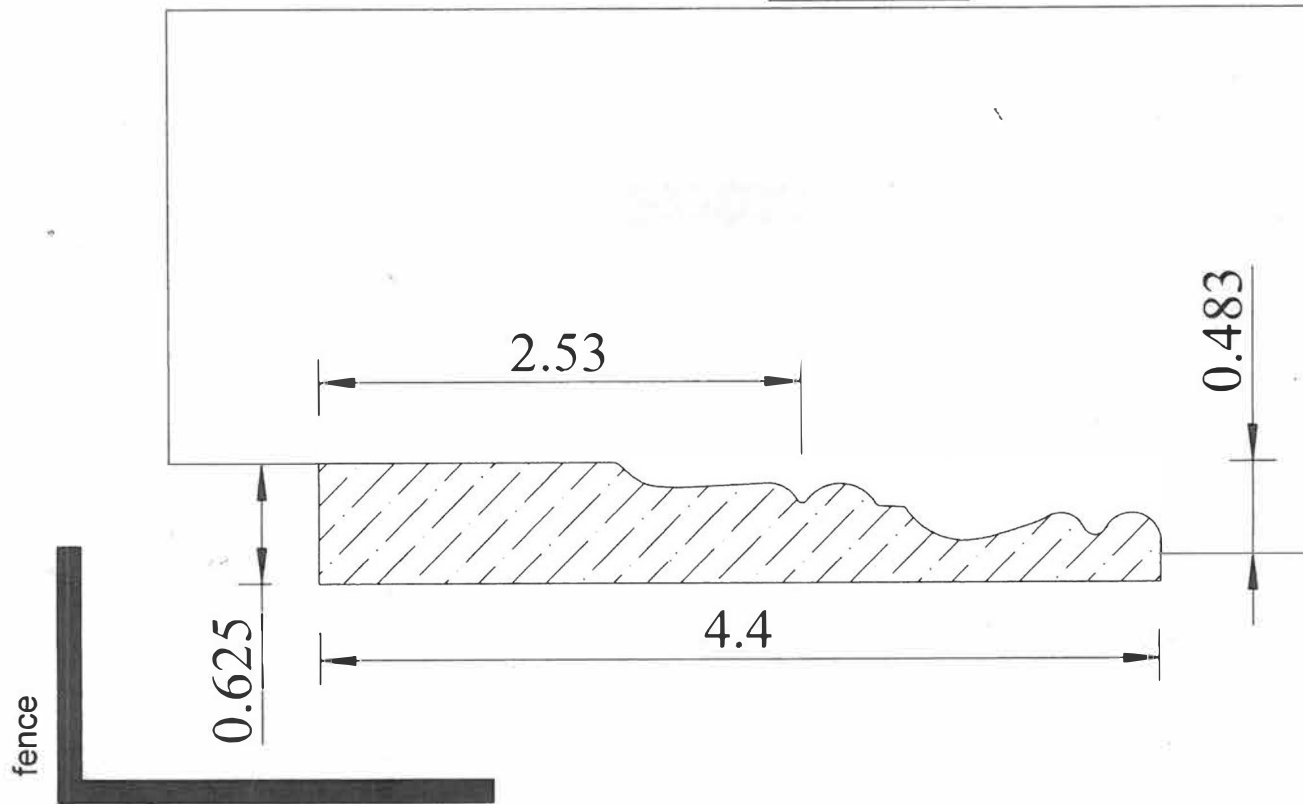
J-91



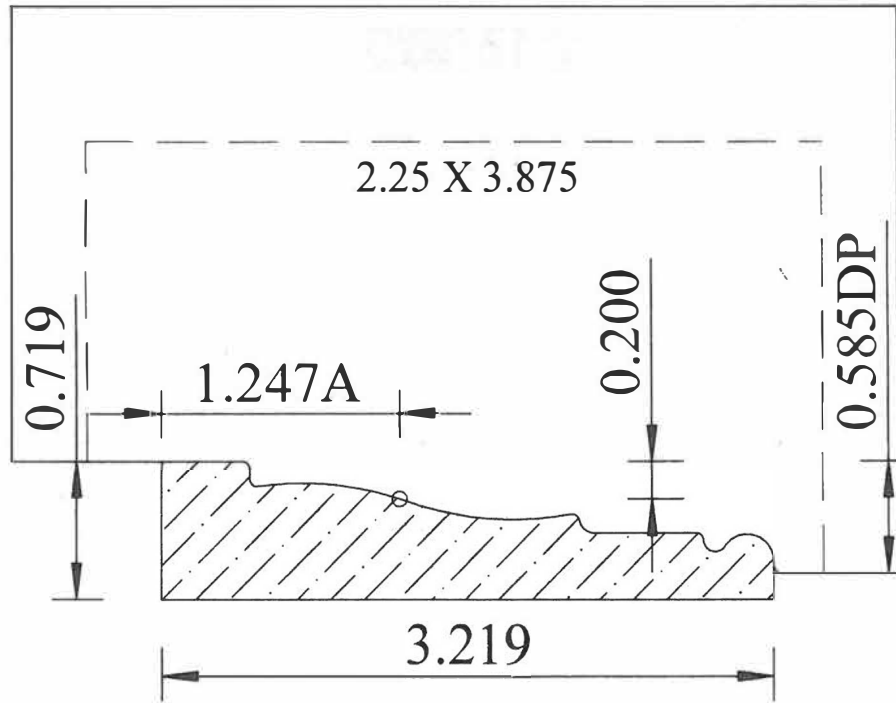
J-95
Profile (A)



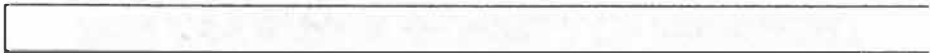
K-41



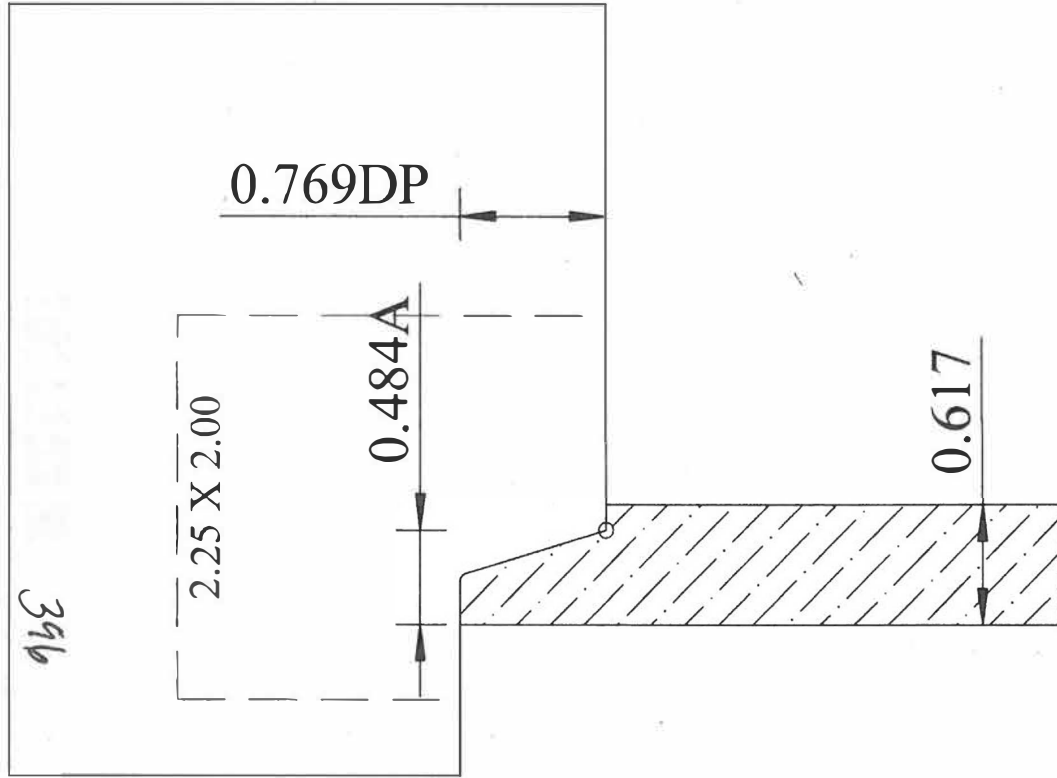
K-65



fence

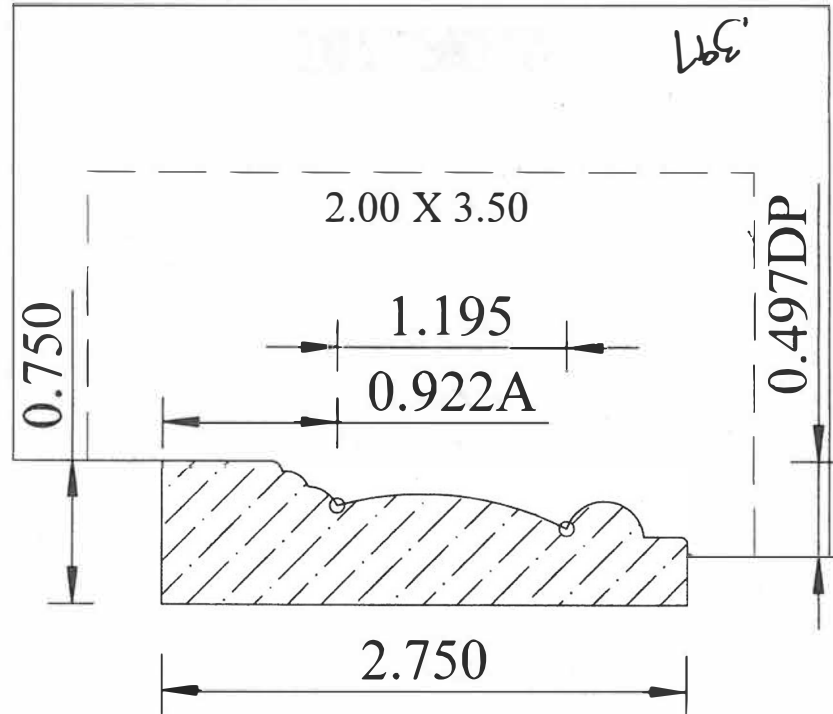


K-67



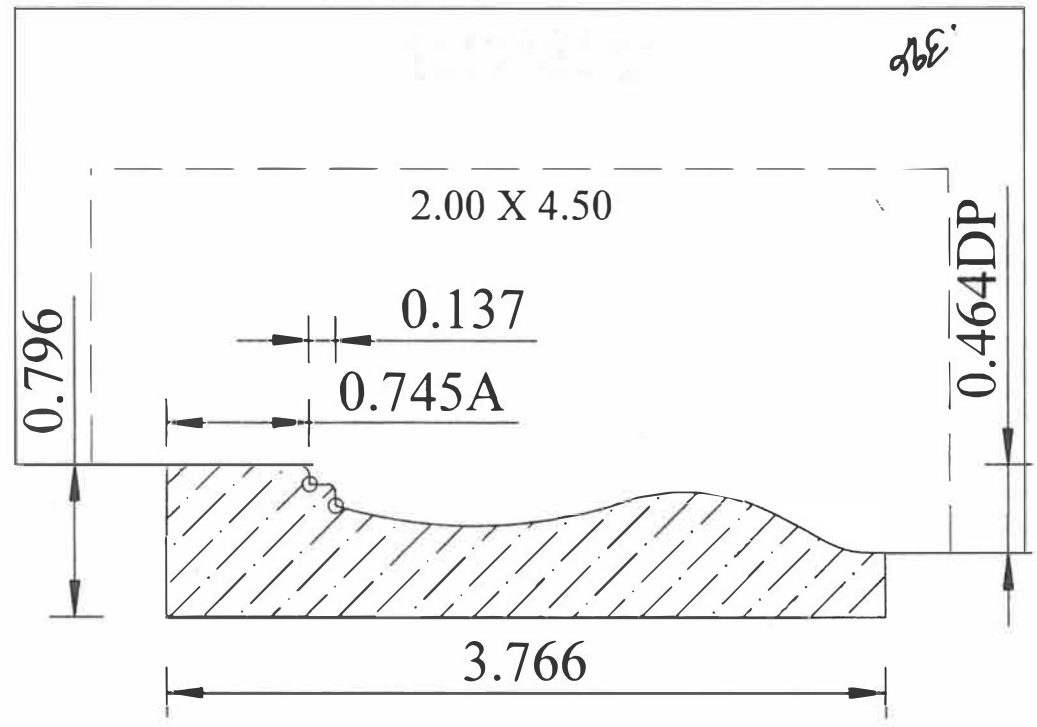
fence

K-68



fence

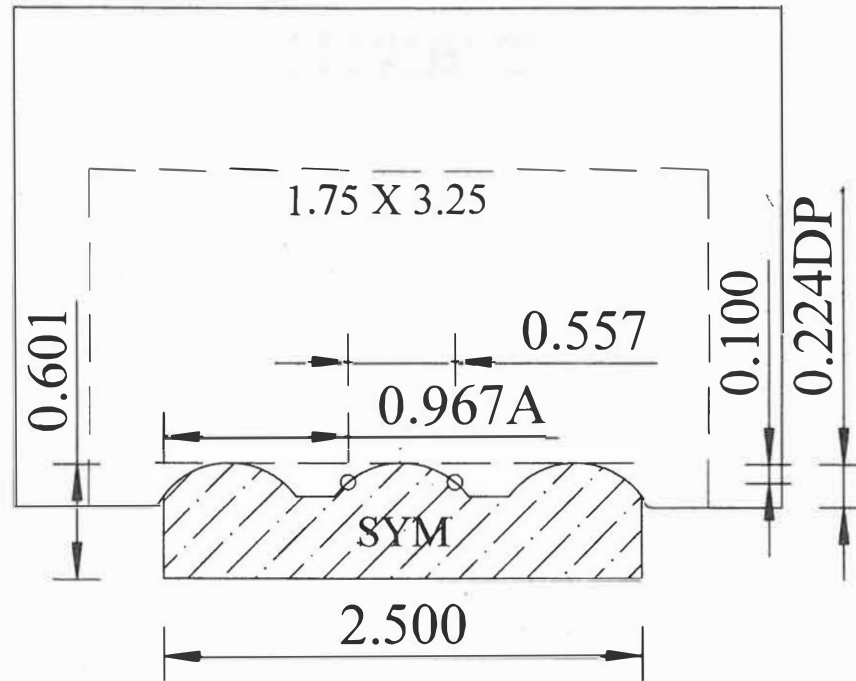
K-73



fence

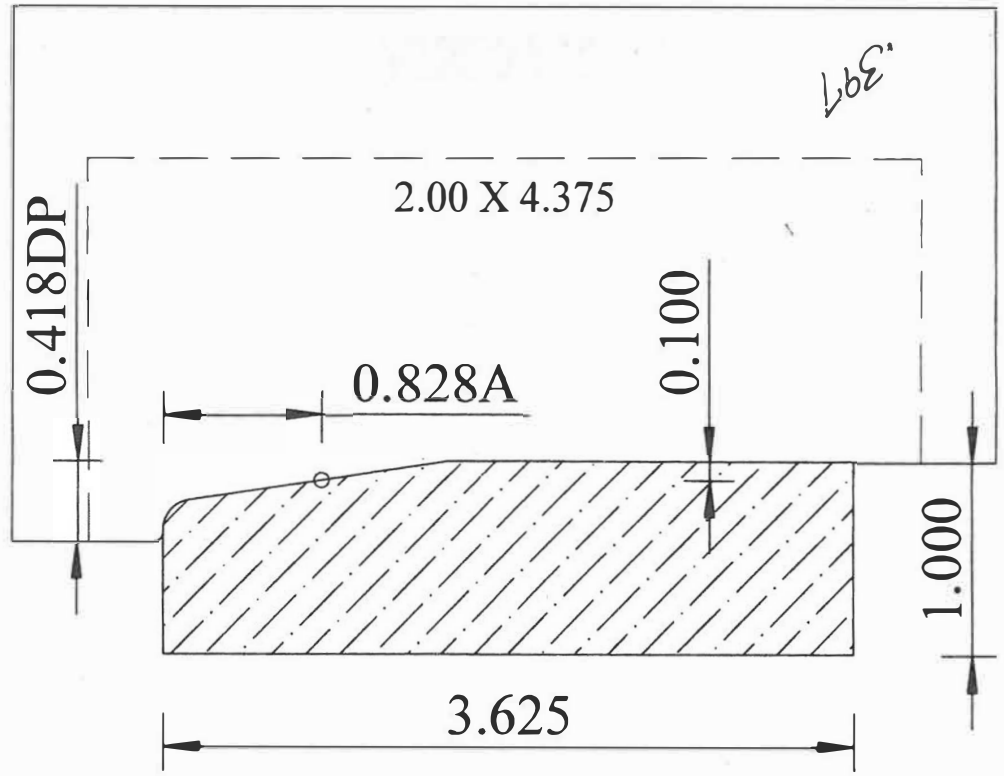


K-75

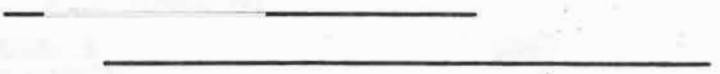
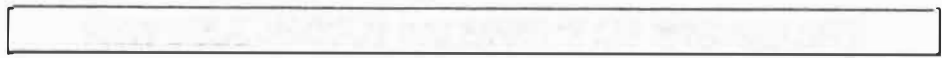


fence

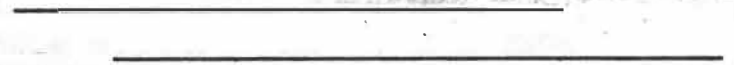
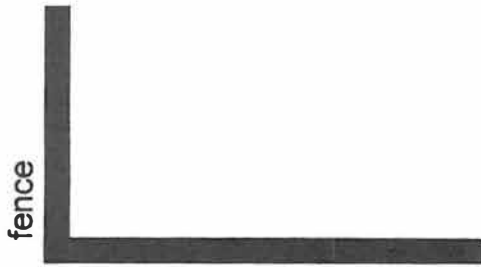
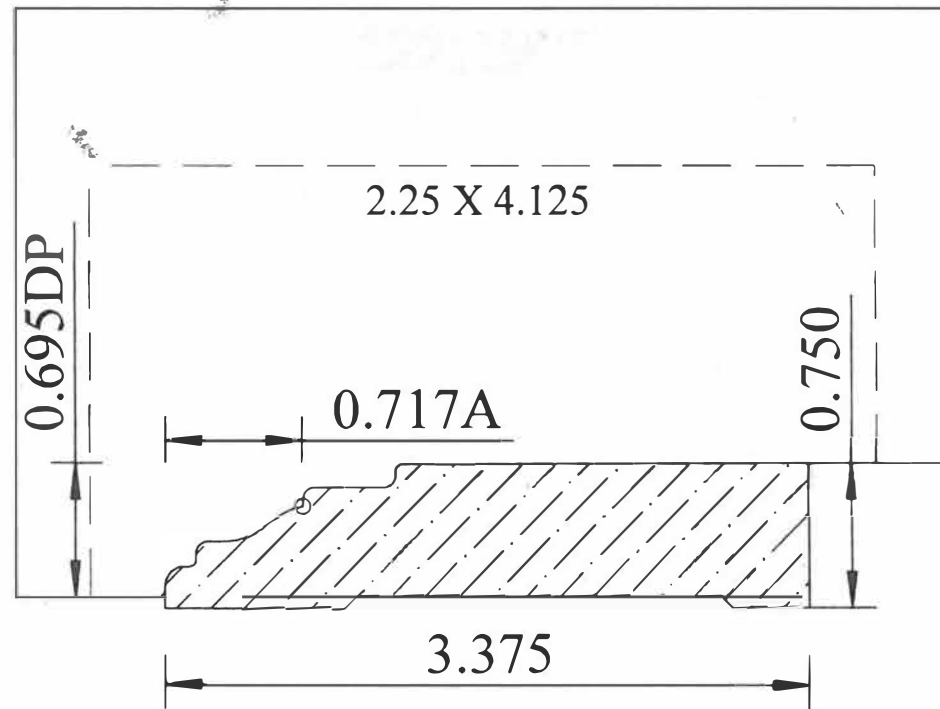
K-78



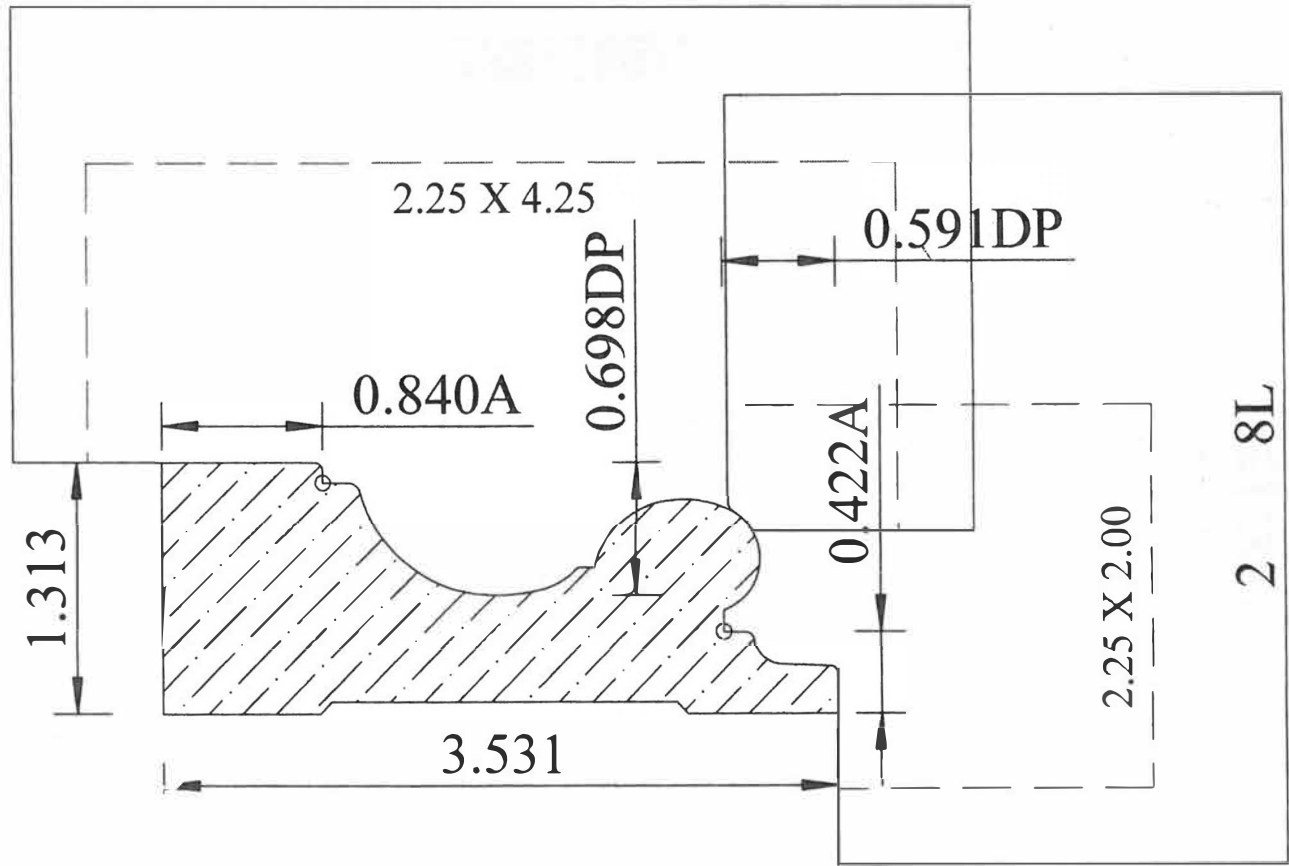
Z



K-80

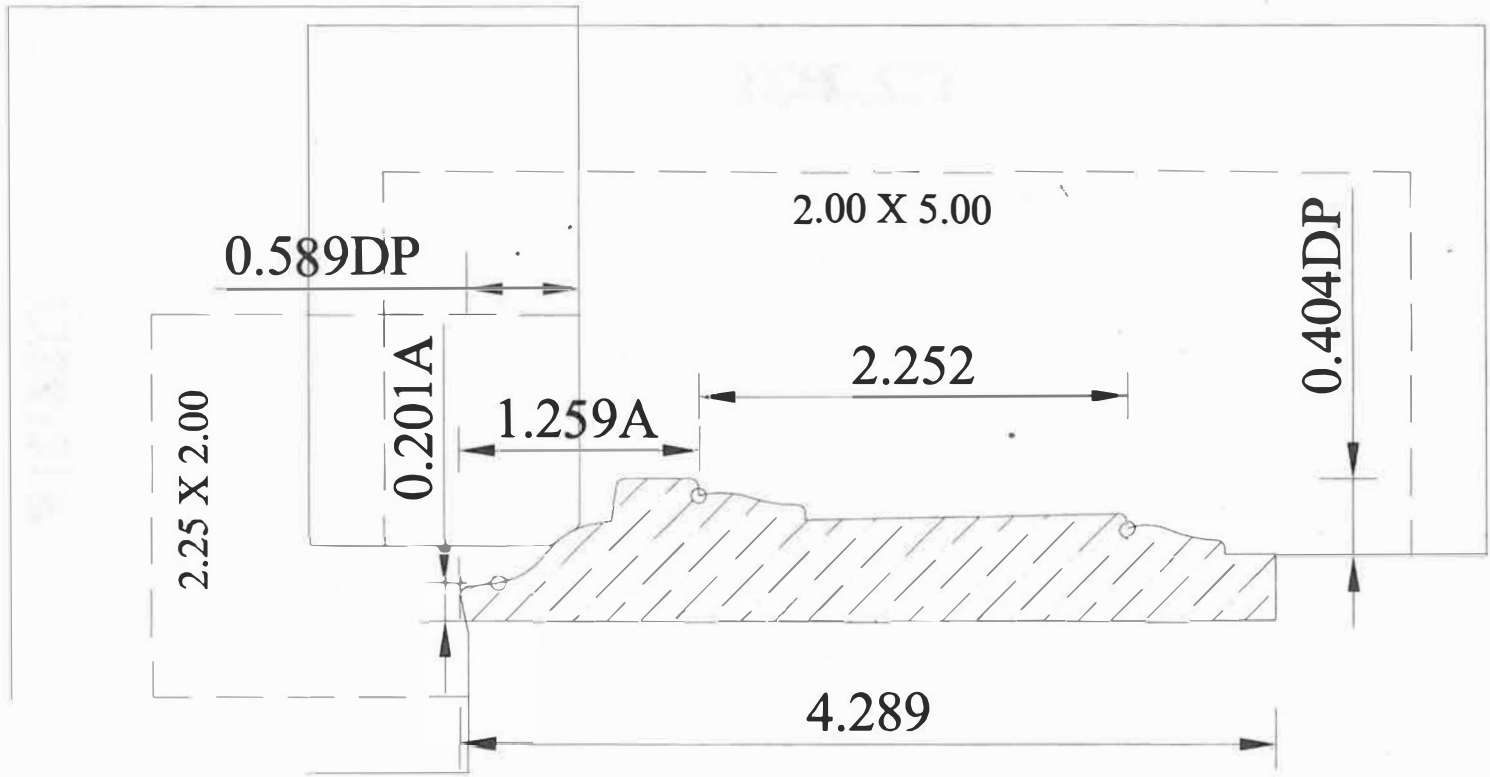


K-83



fence

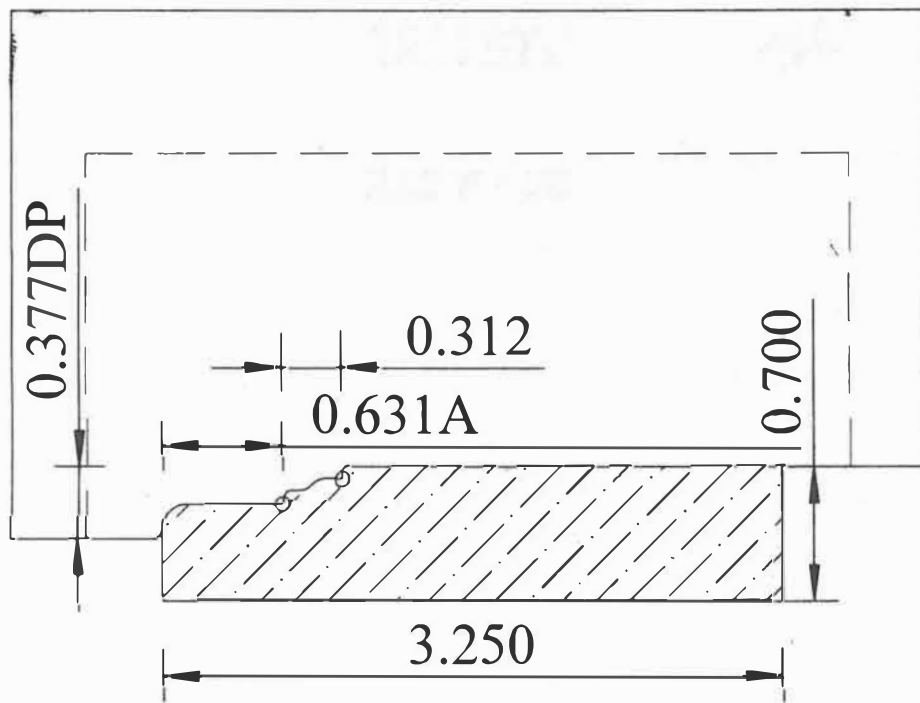
K-85



fence

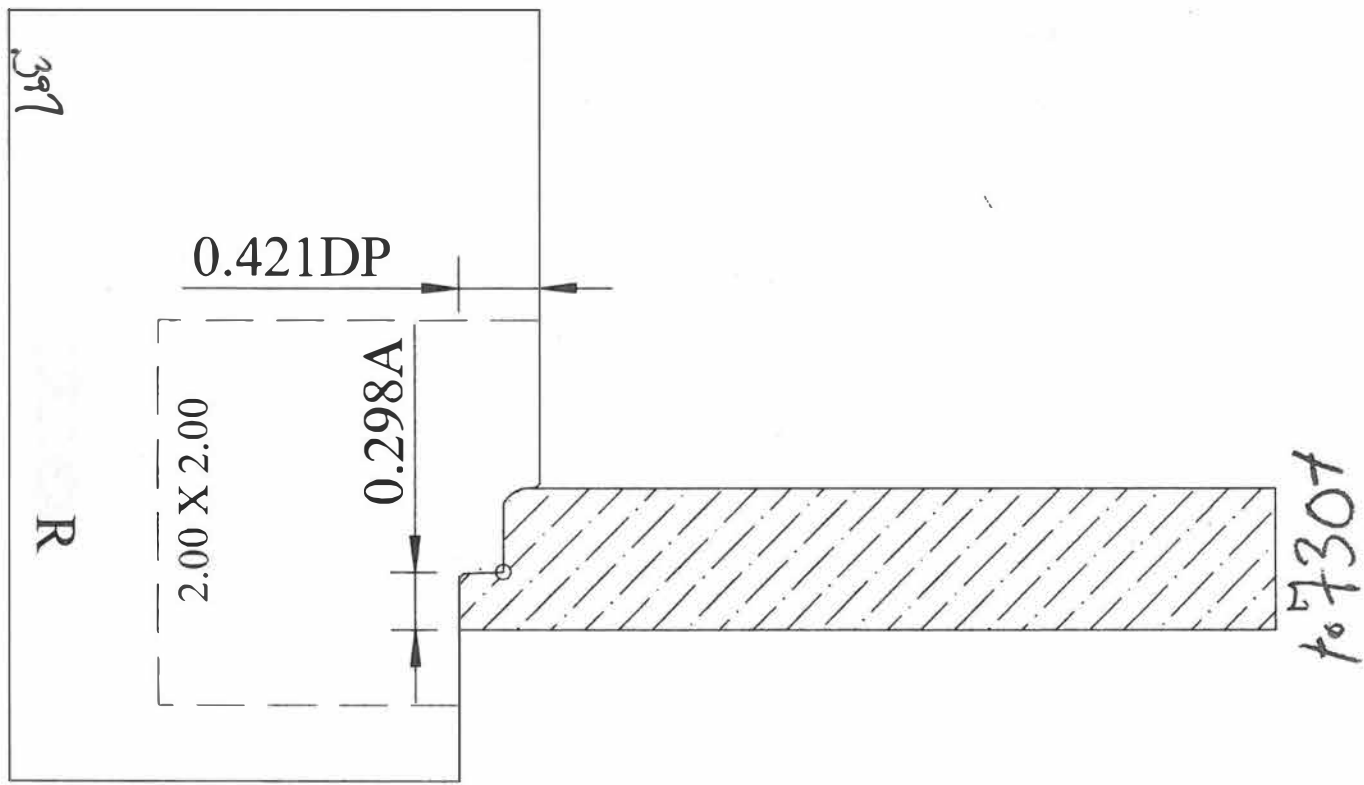
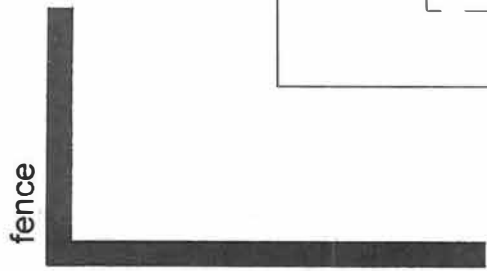


K-93

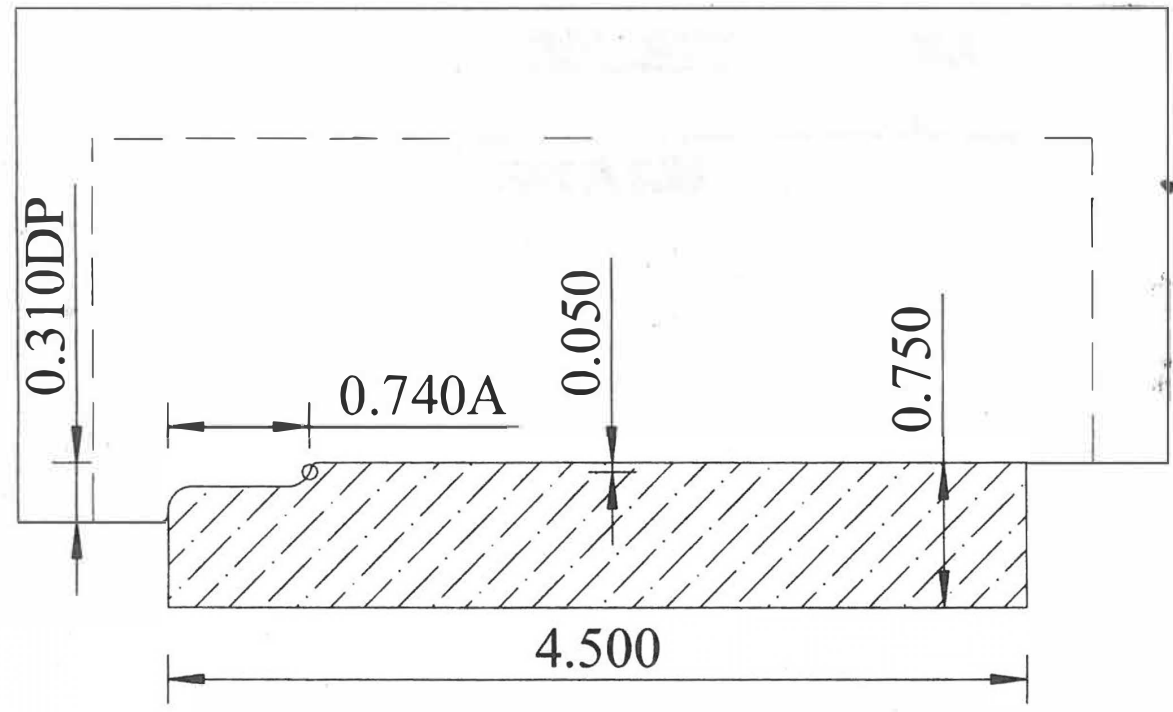
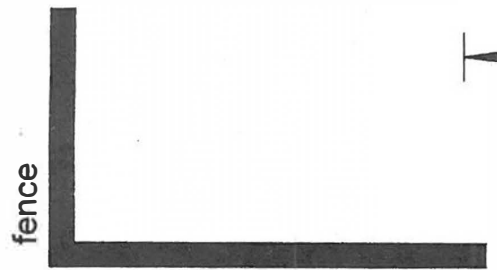


fence

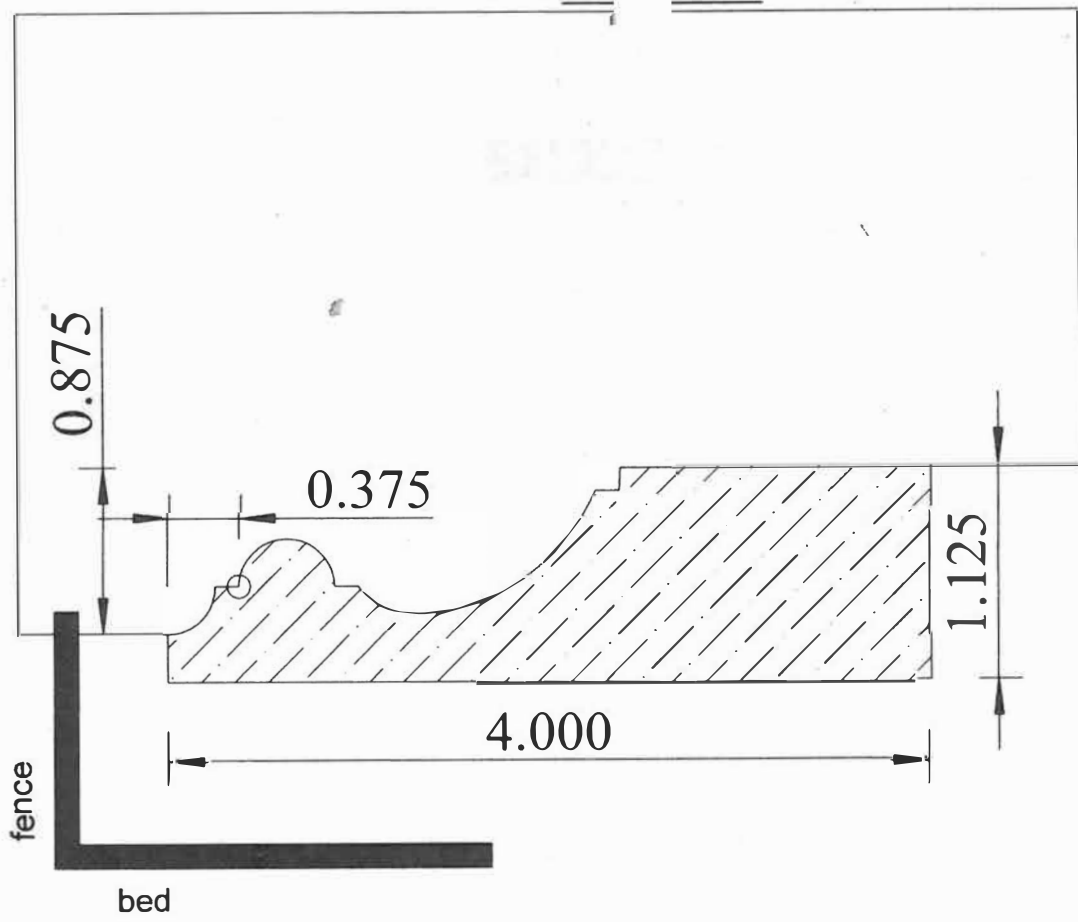
K-94



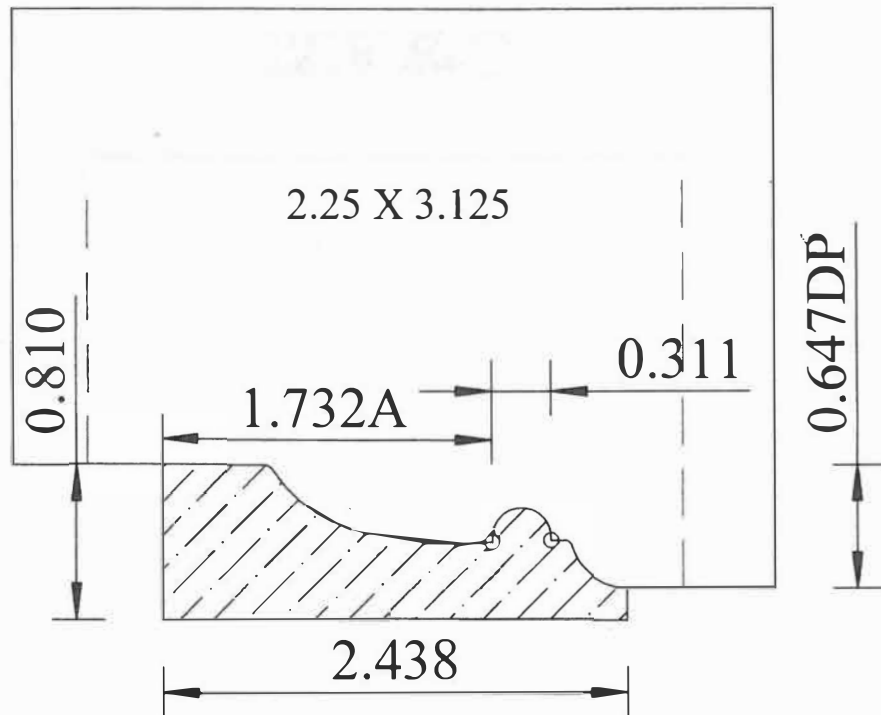
K-96



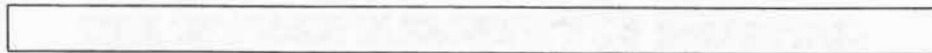
L-39



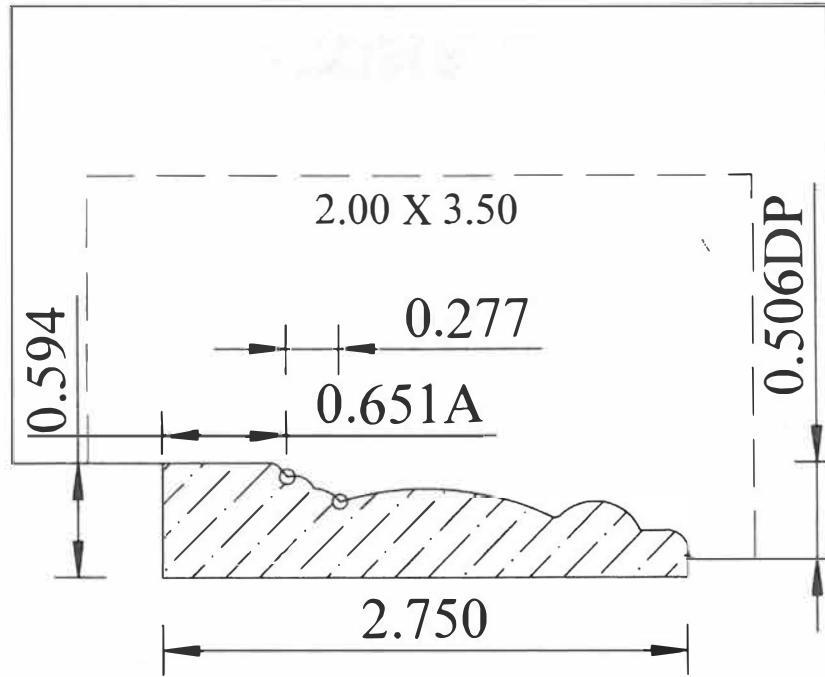
L-64



fence



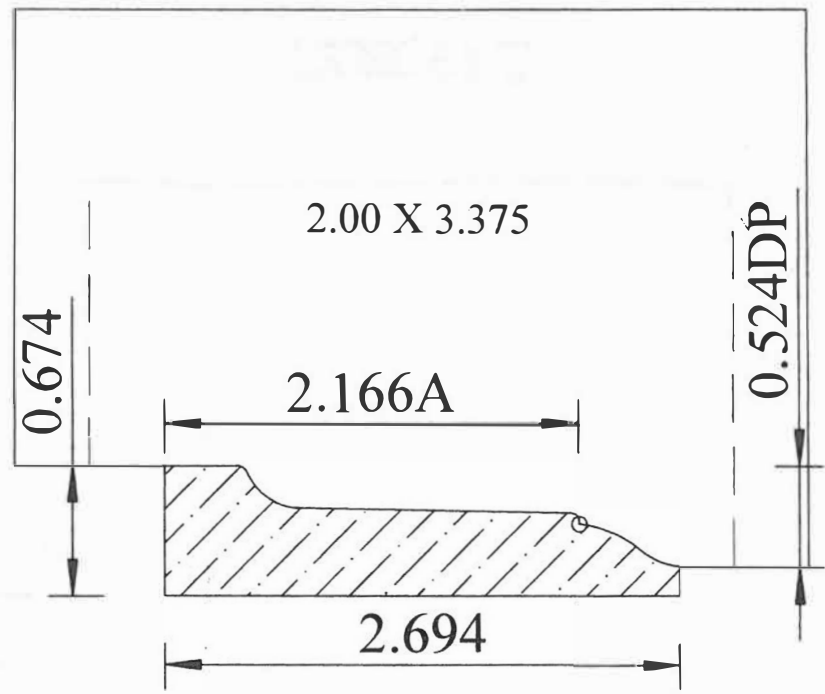
L-65



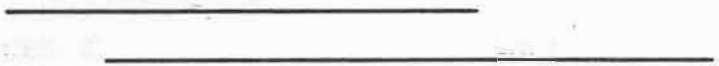
fence



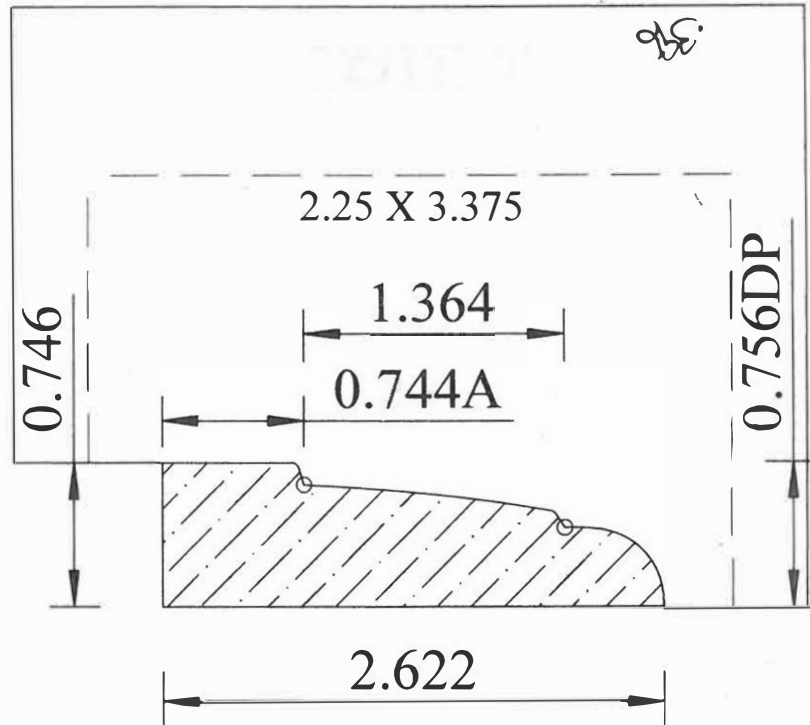
L-66



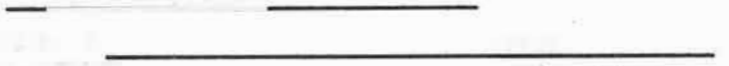
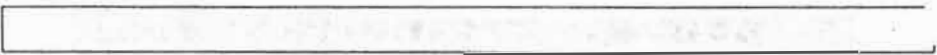
fence



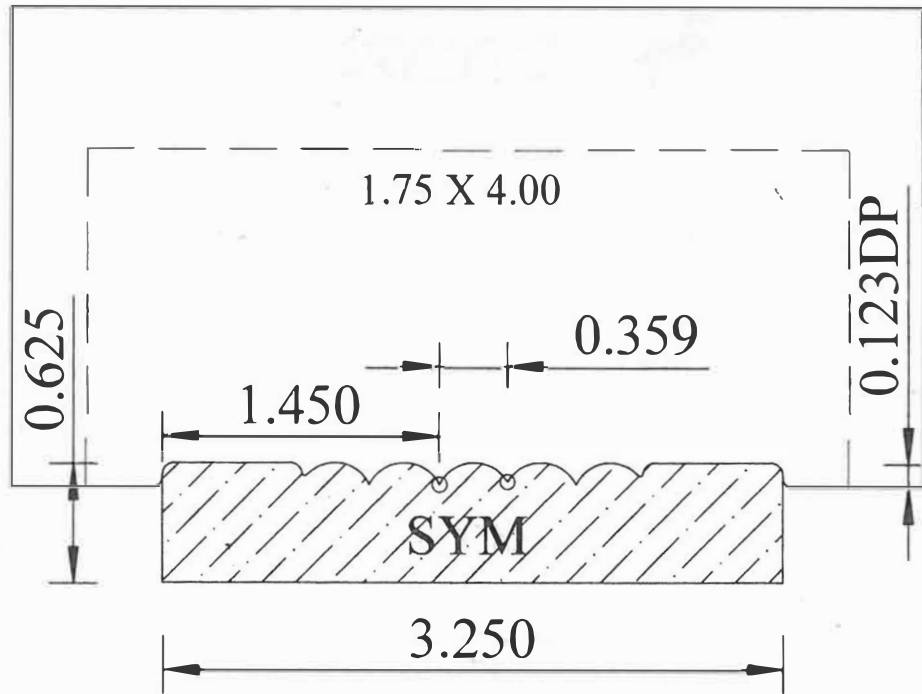
L-69



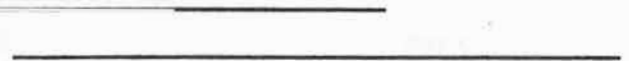
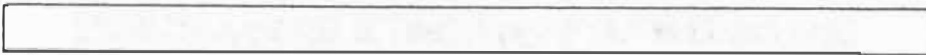
fence



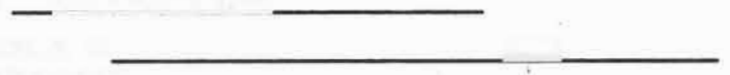
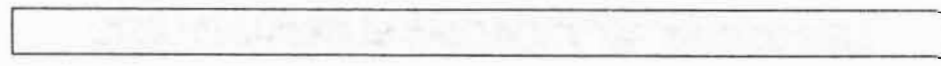
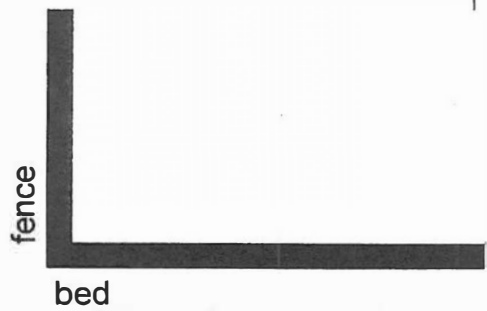
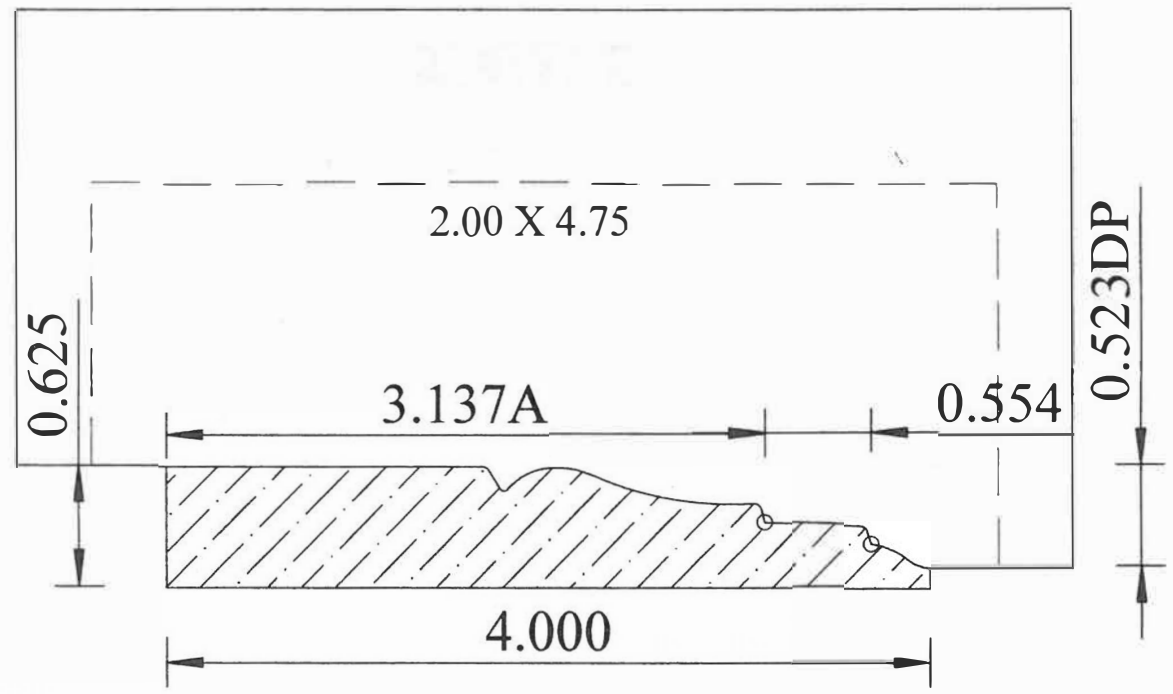
L-71



fence

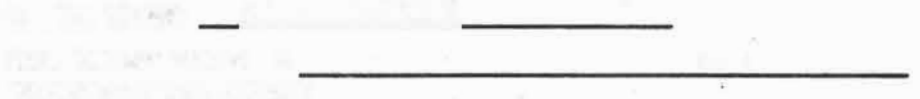
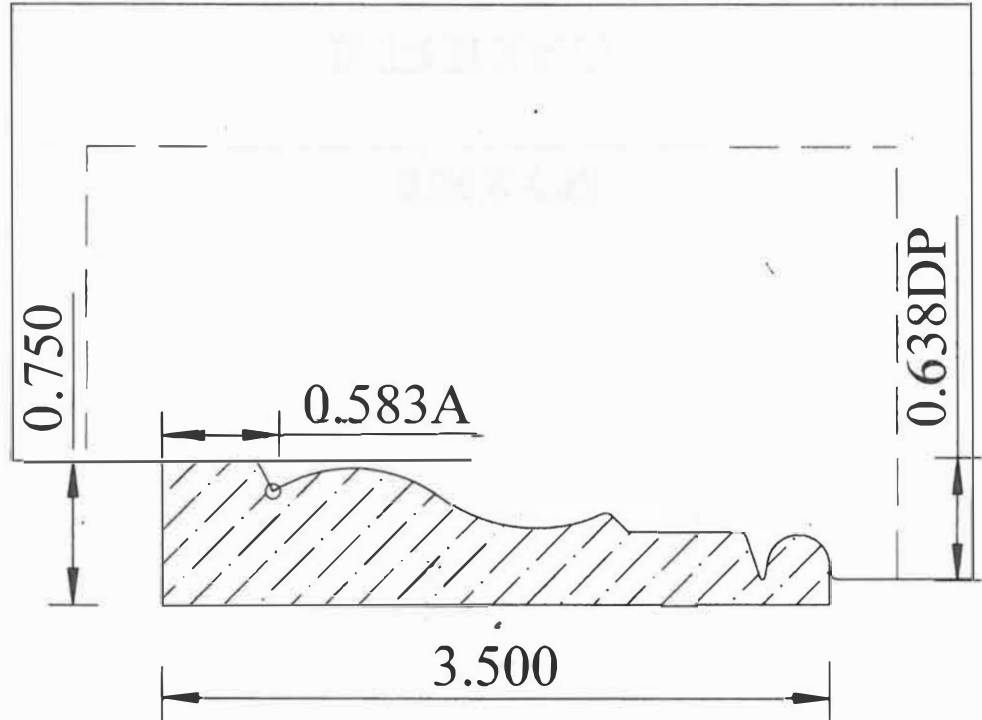


L-72



L-74

(Similar to F-)



Q-46

