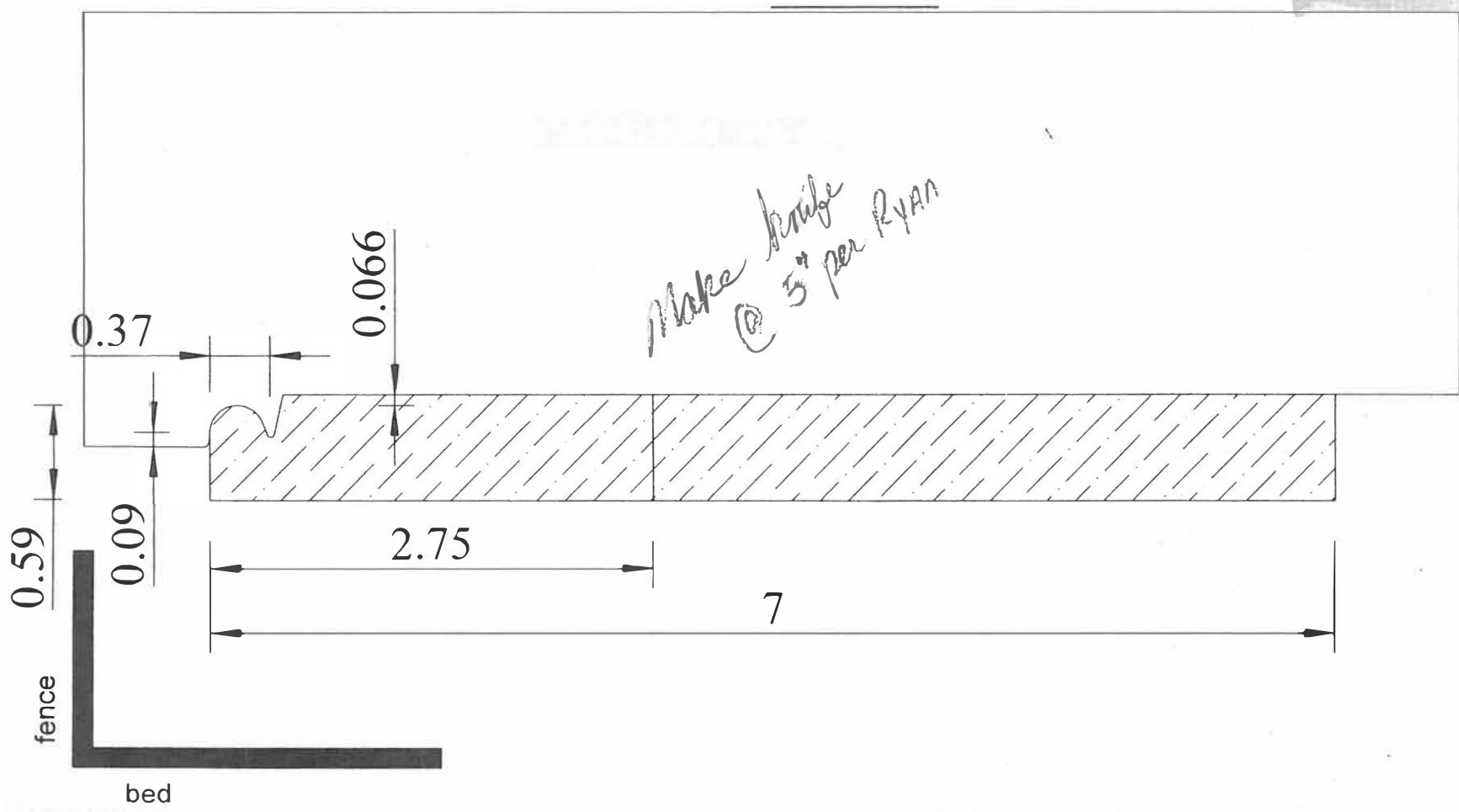


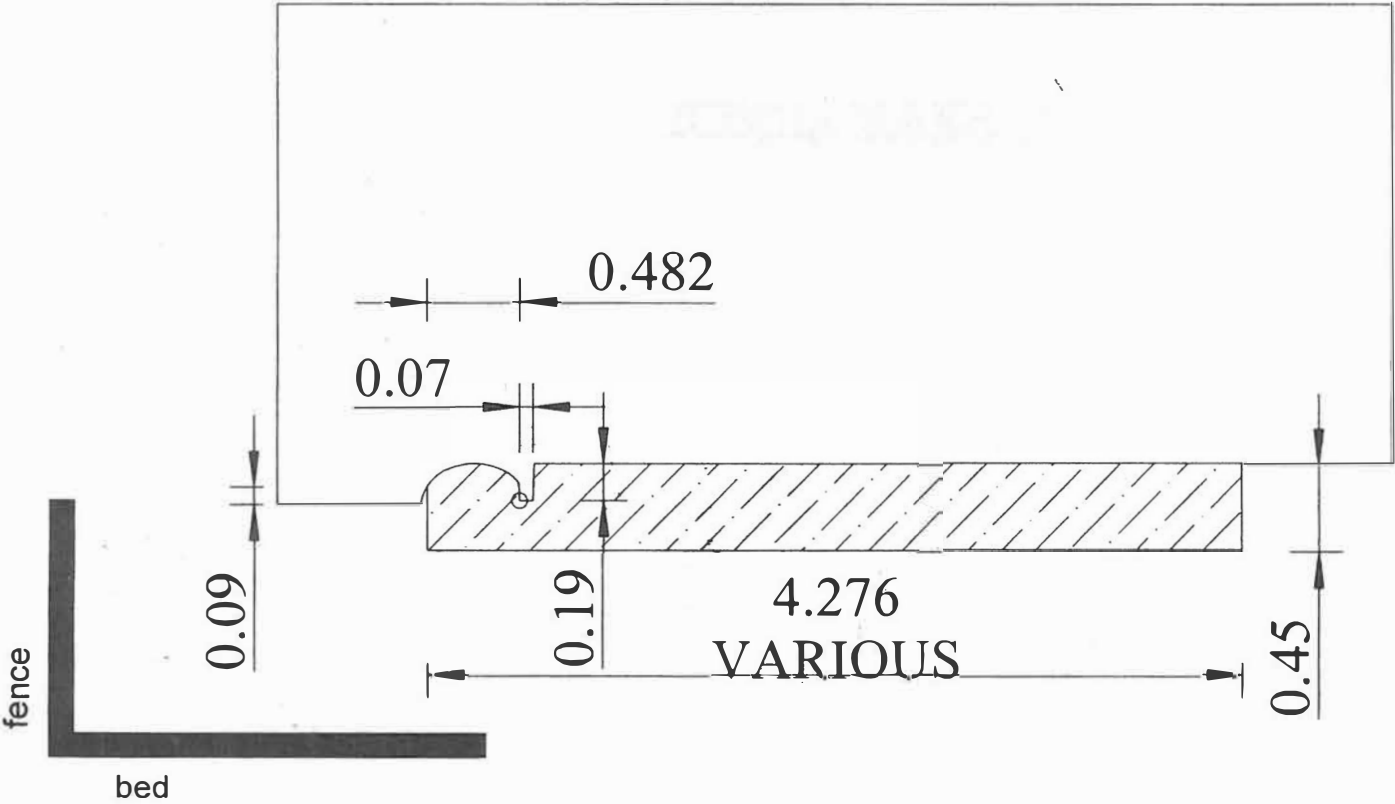
A-66



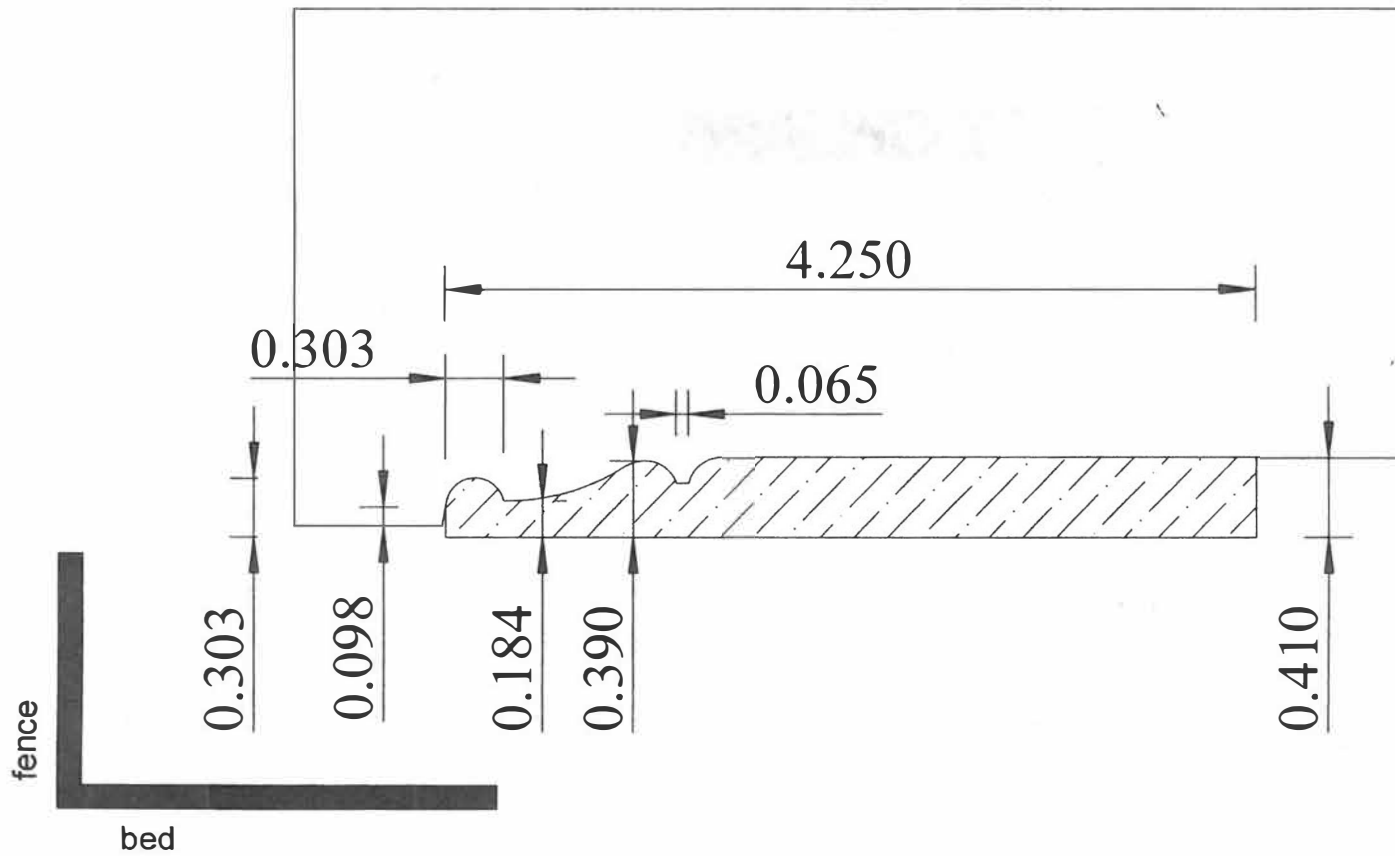
Make knife @ 3" per RYAN

656

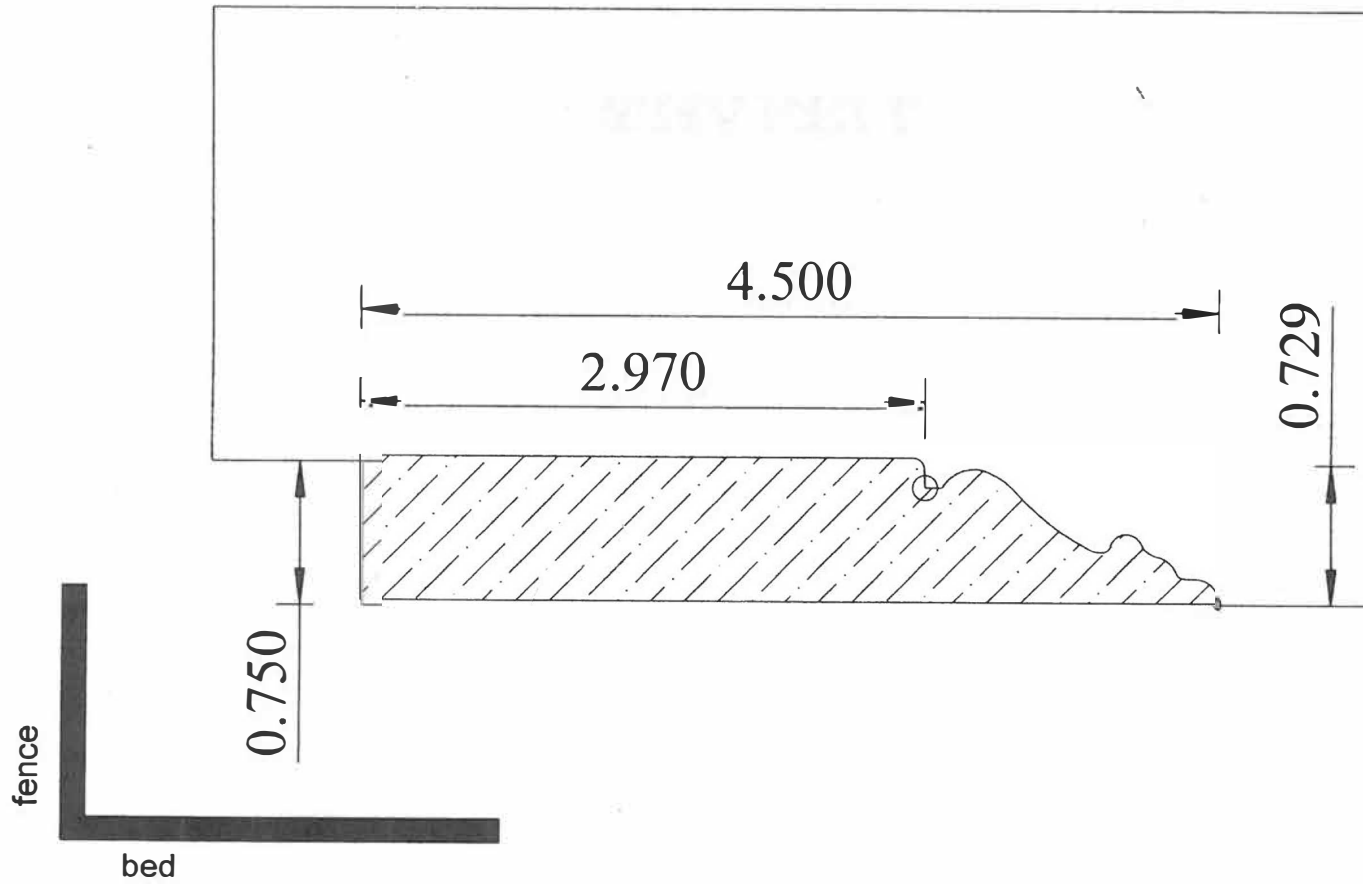
A-80



A-82



A-86





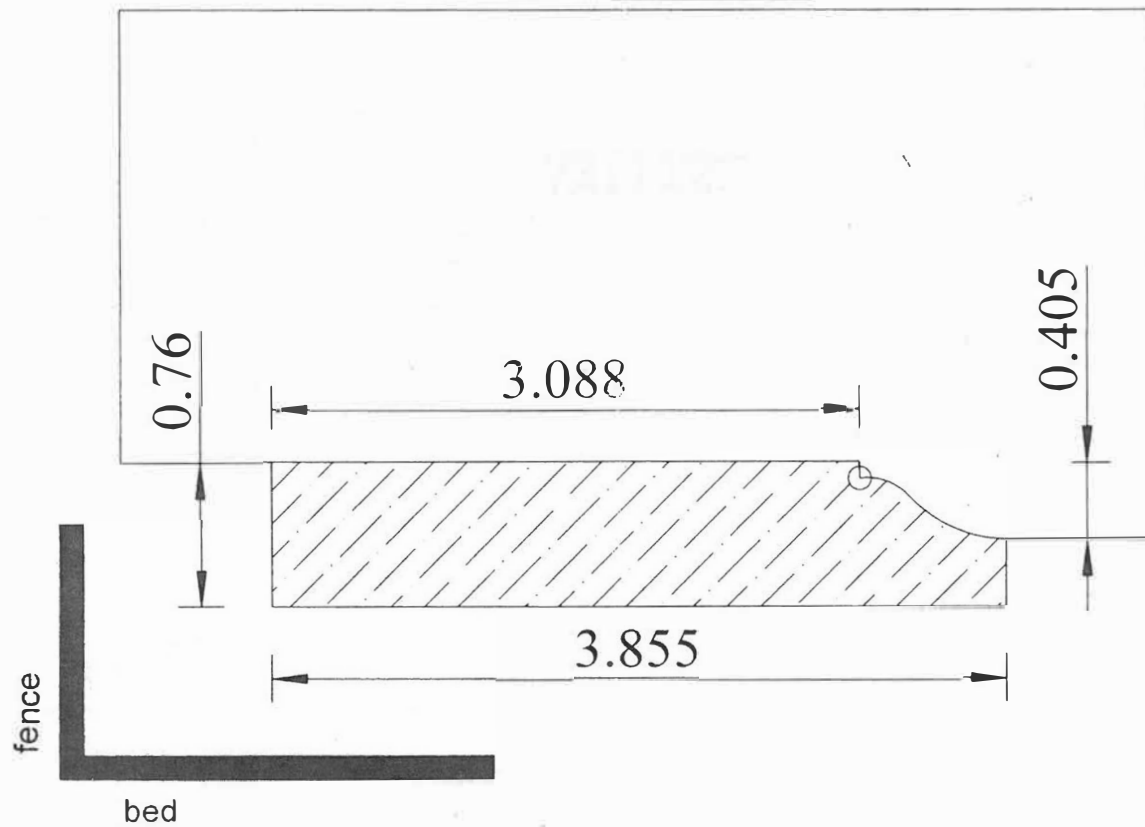
- EST

1938 -

A. FILLINGER, INC.

MOULDING DIVISION

B-64





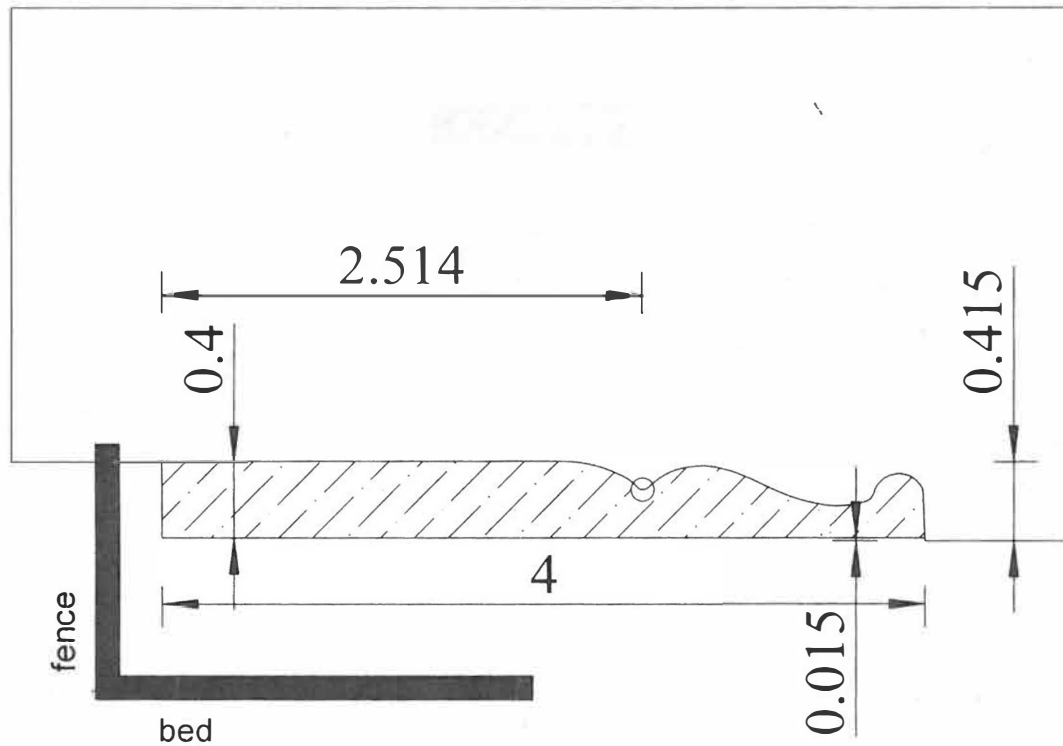
- EST

1938 -

A. FILLINGER, INC.

MOULDING DIVISION

B-70



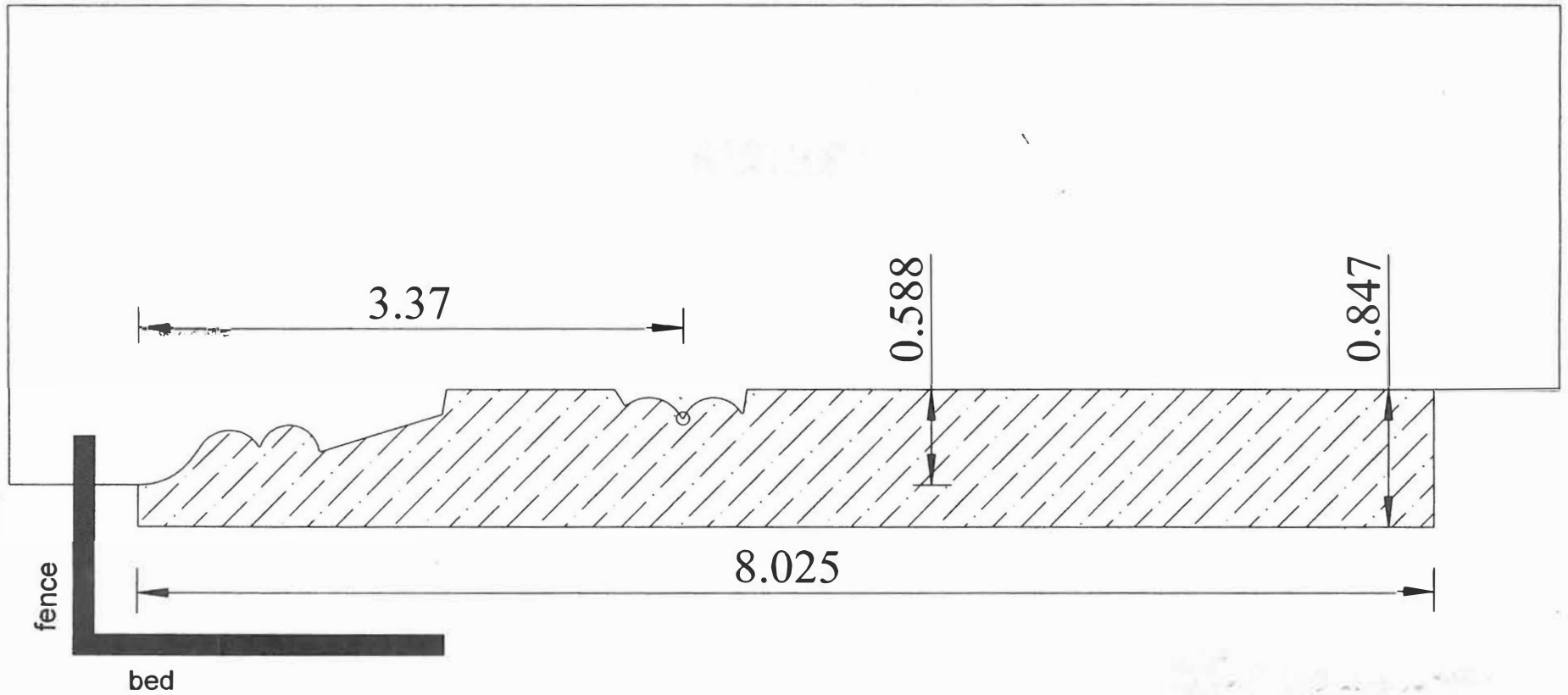


- EST 1938 -

A. FILLINGER, INC.

MOULDING DIVISION

B-87



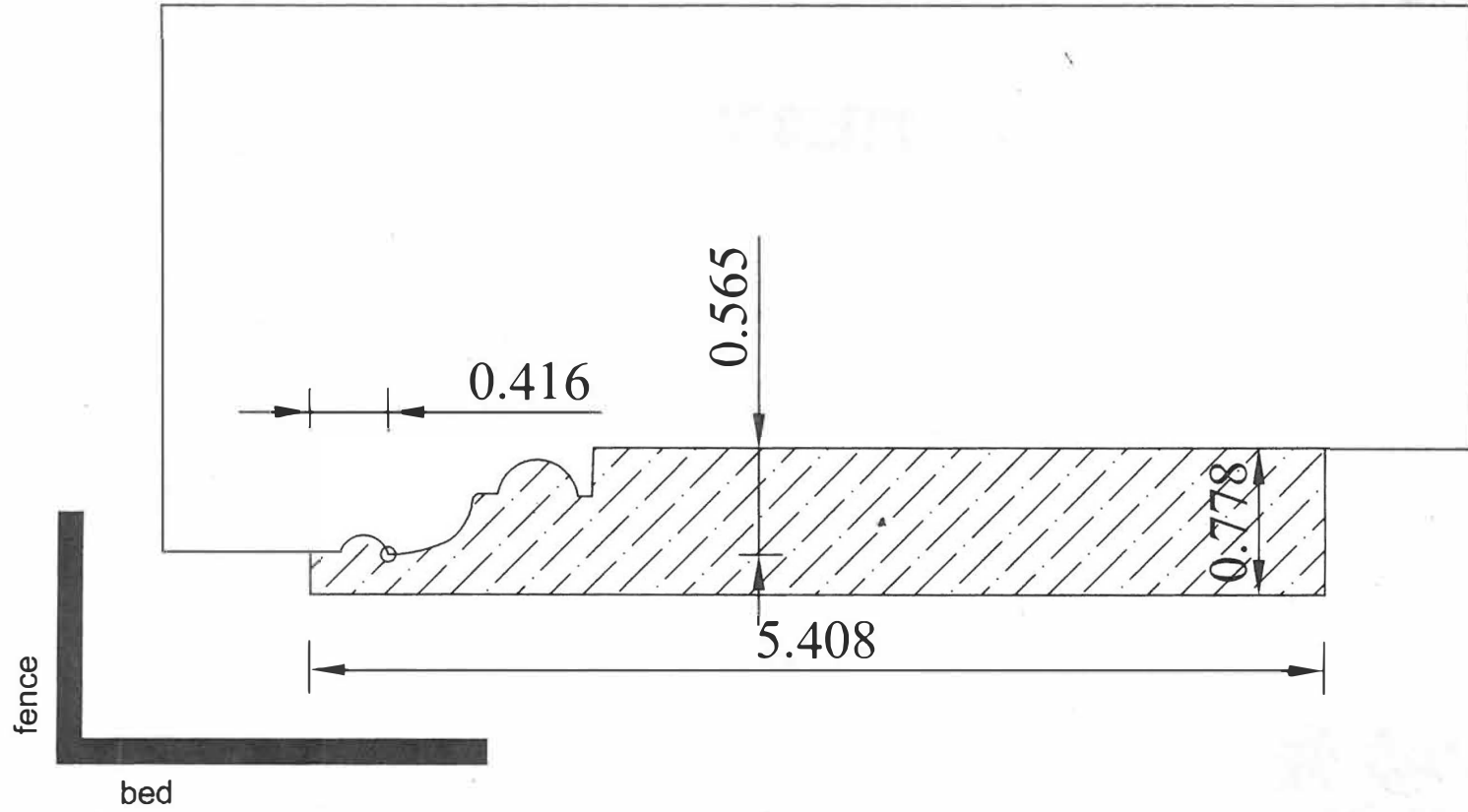


- EST 1938 -

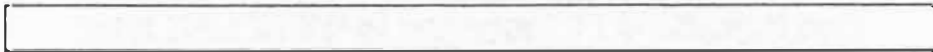
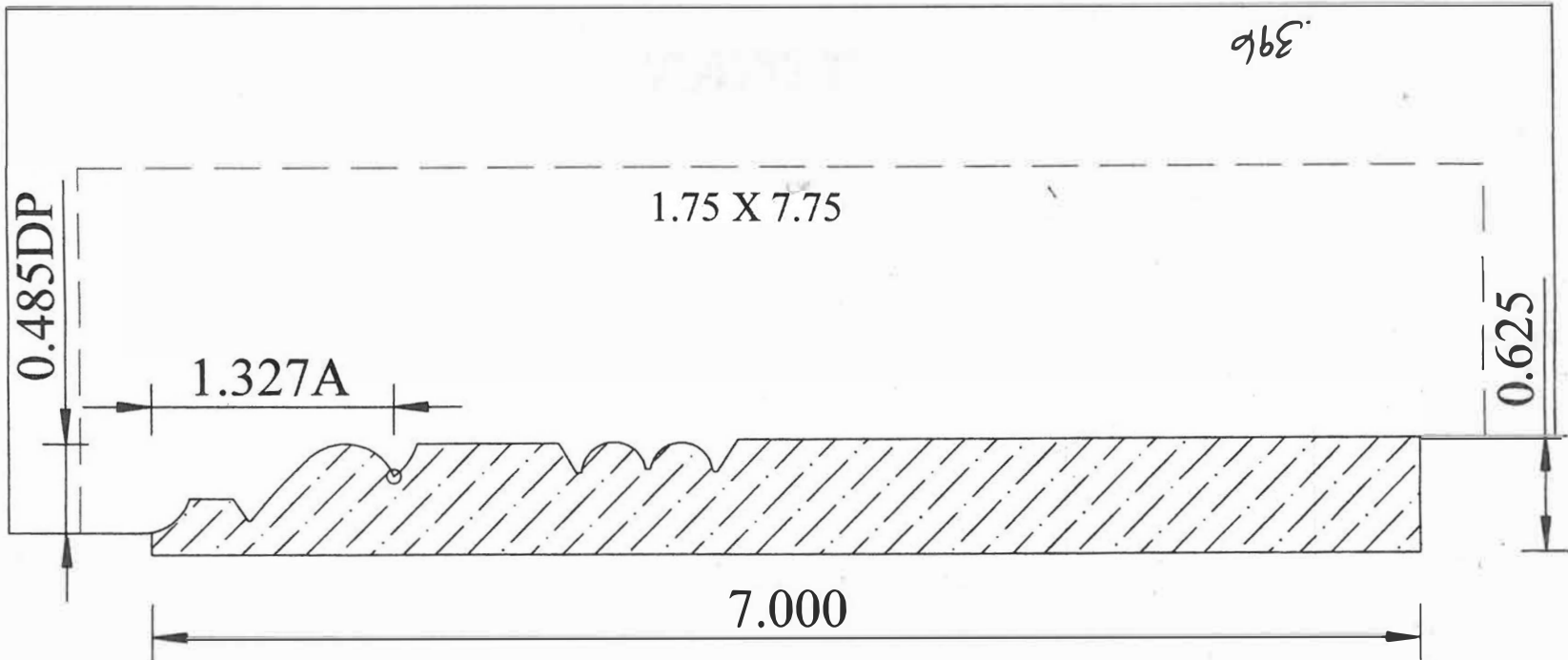
A. FILLINGER, INC.

MOULDING DIVISION

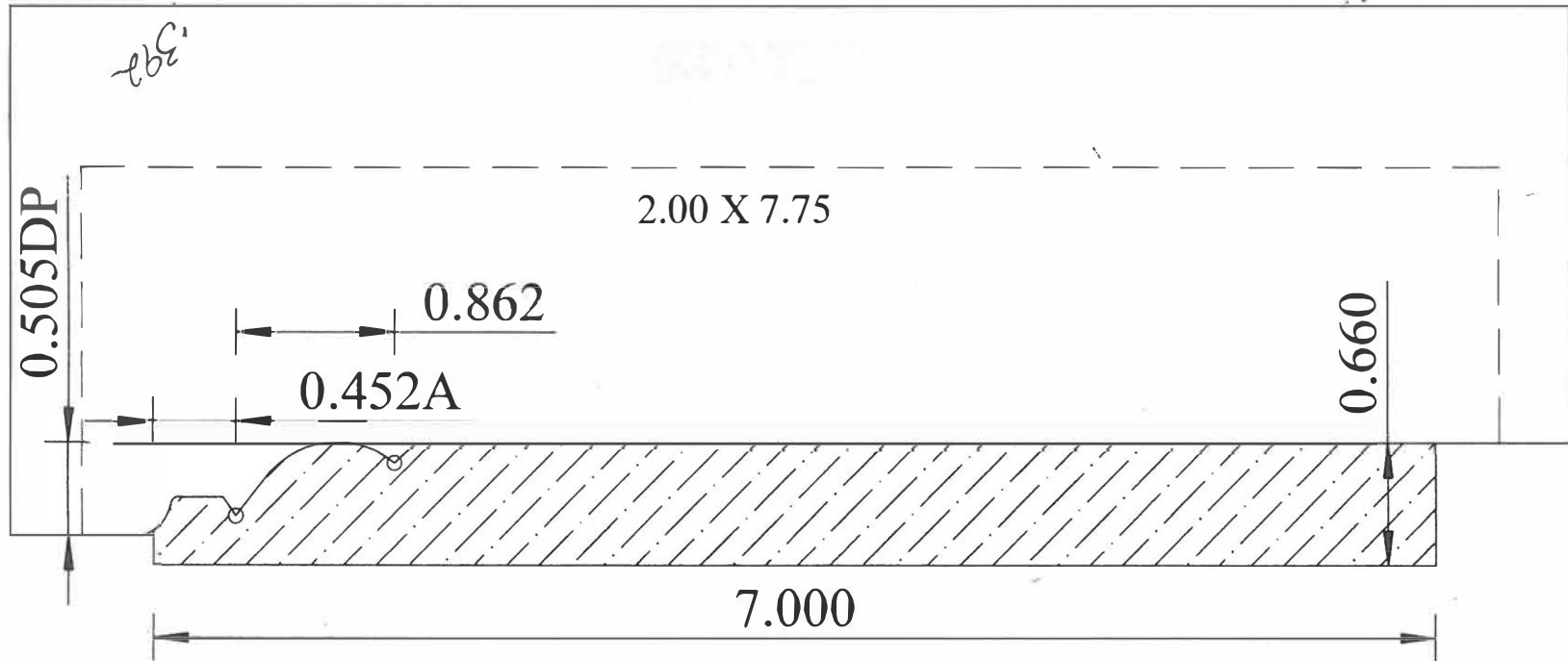
B-95



C-51



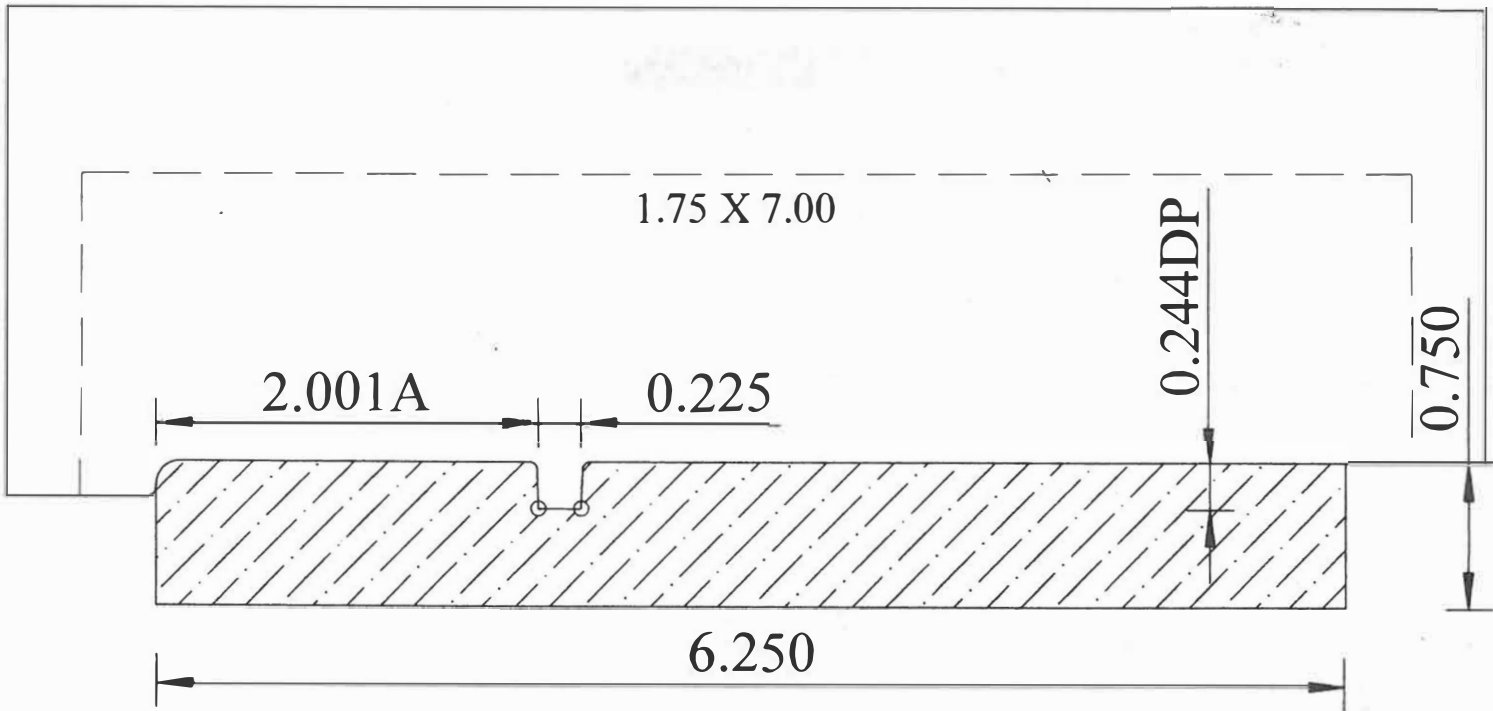
C-60



E

DATE:

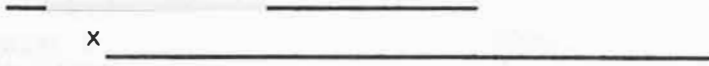
C-61



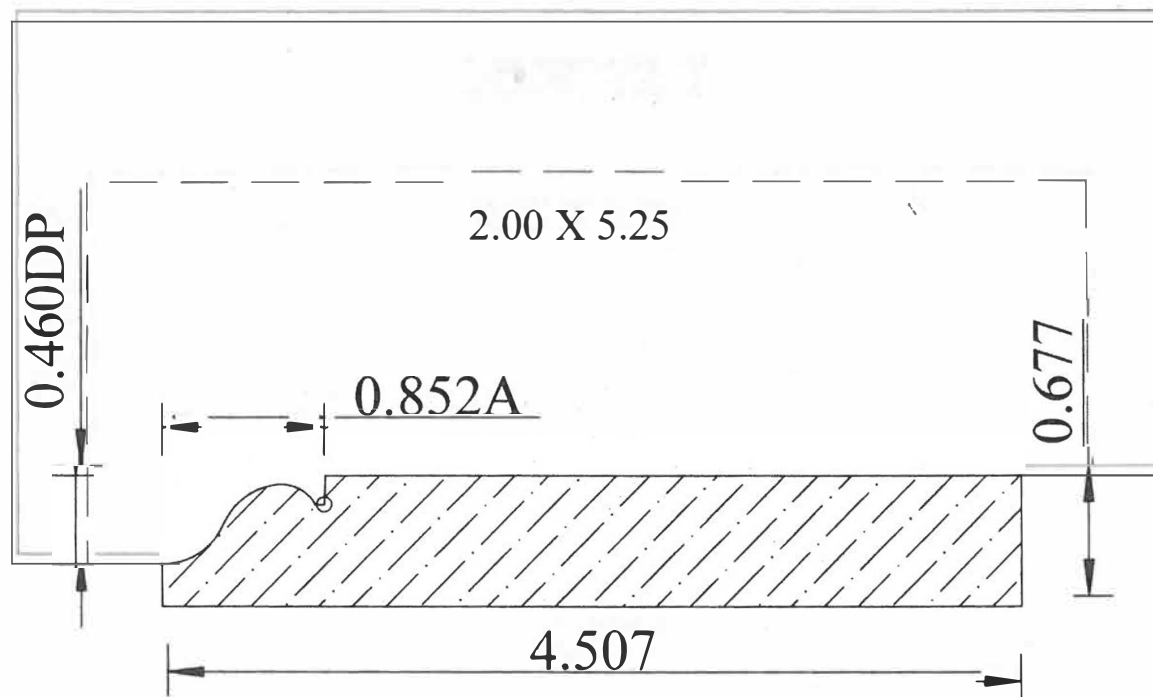
CE



x

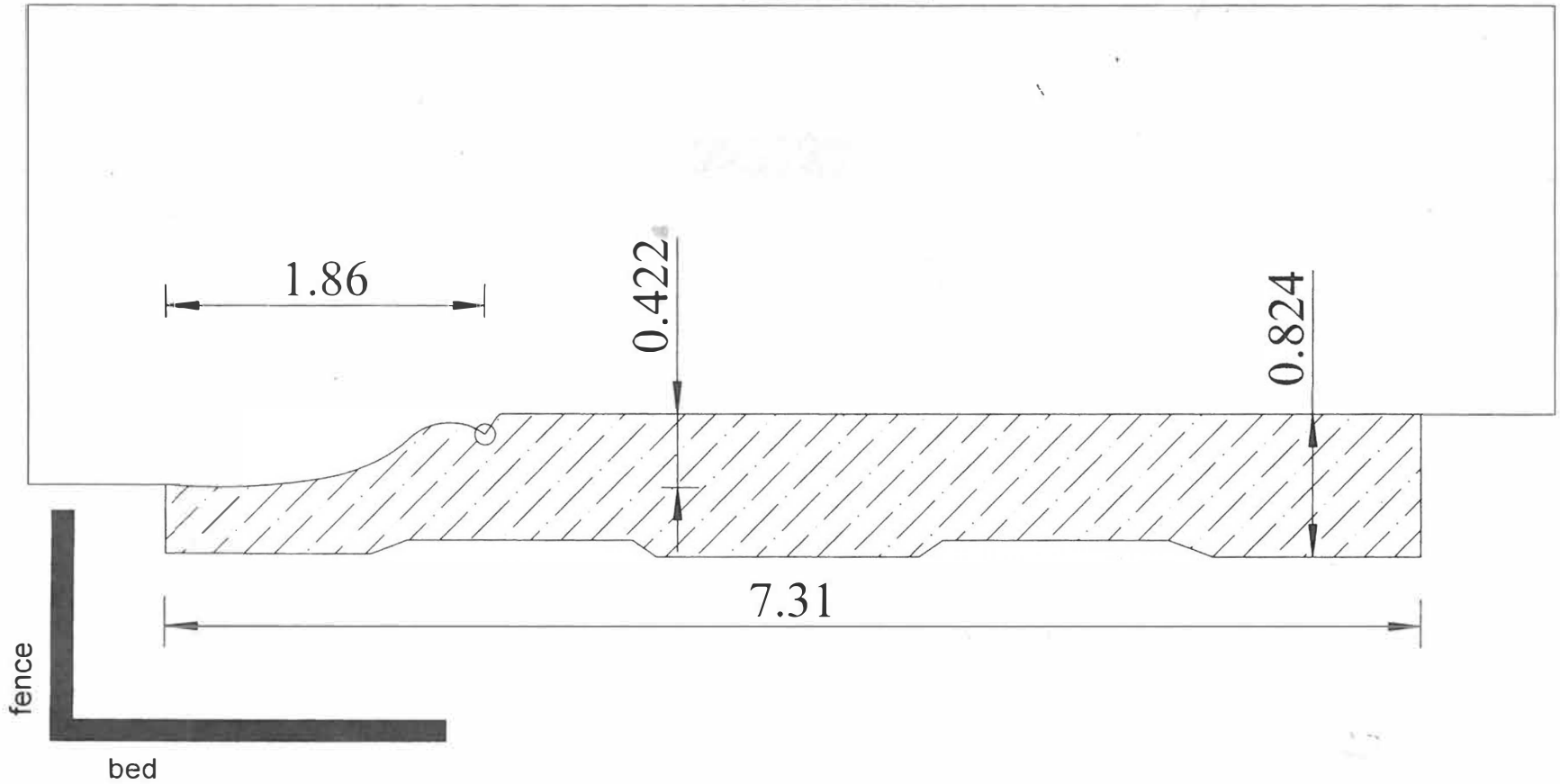


C-62



MOULDING DIVISION

Grid # C64



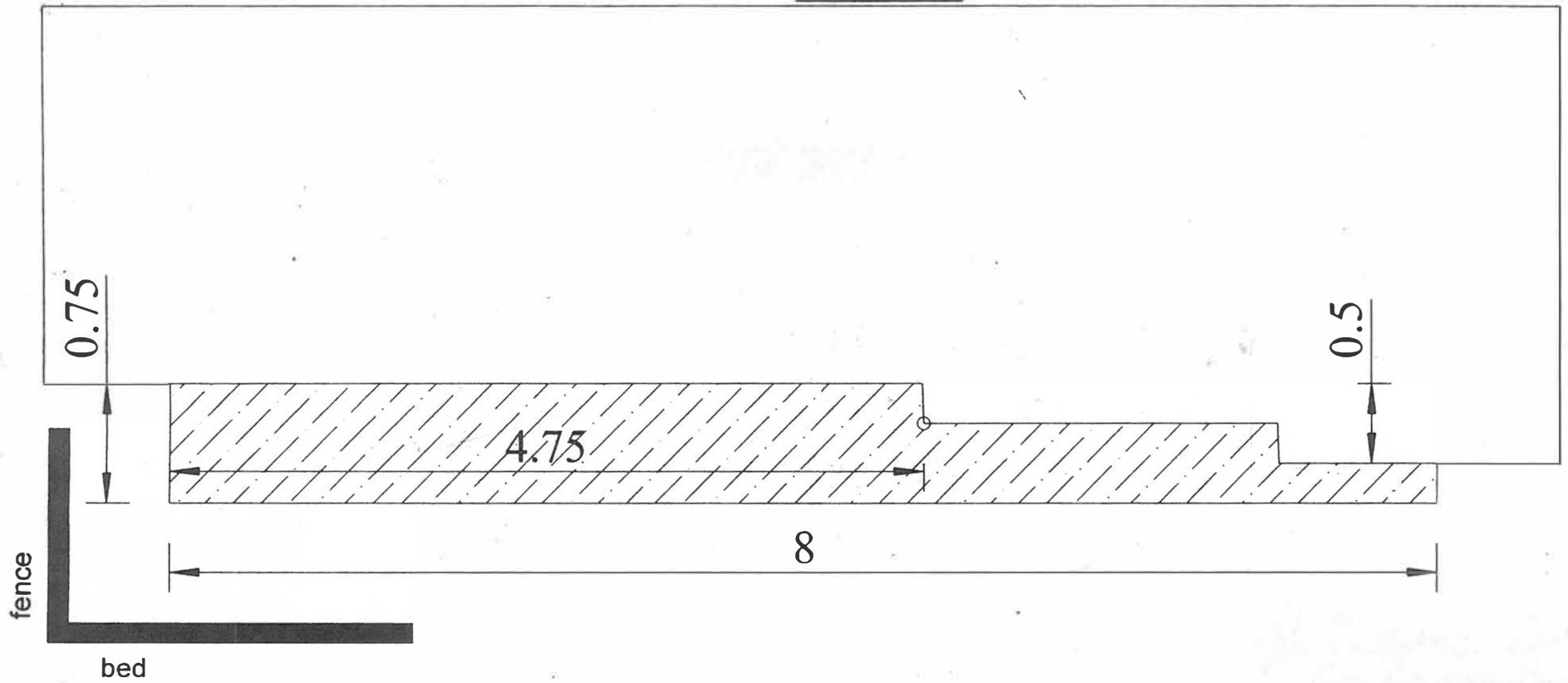


- EST 1938 -

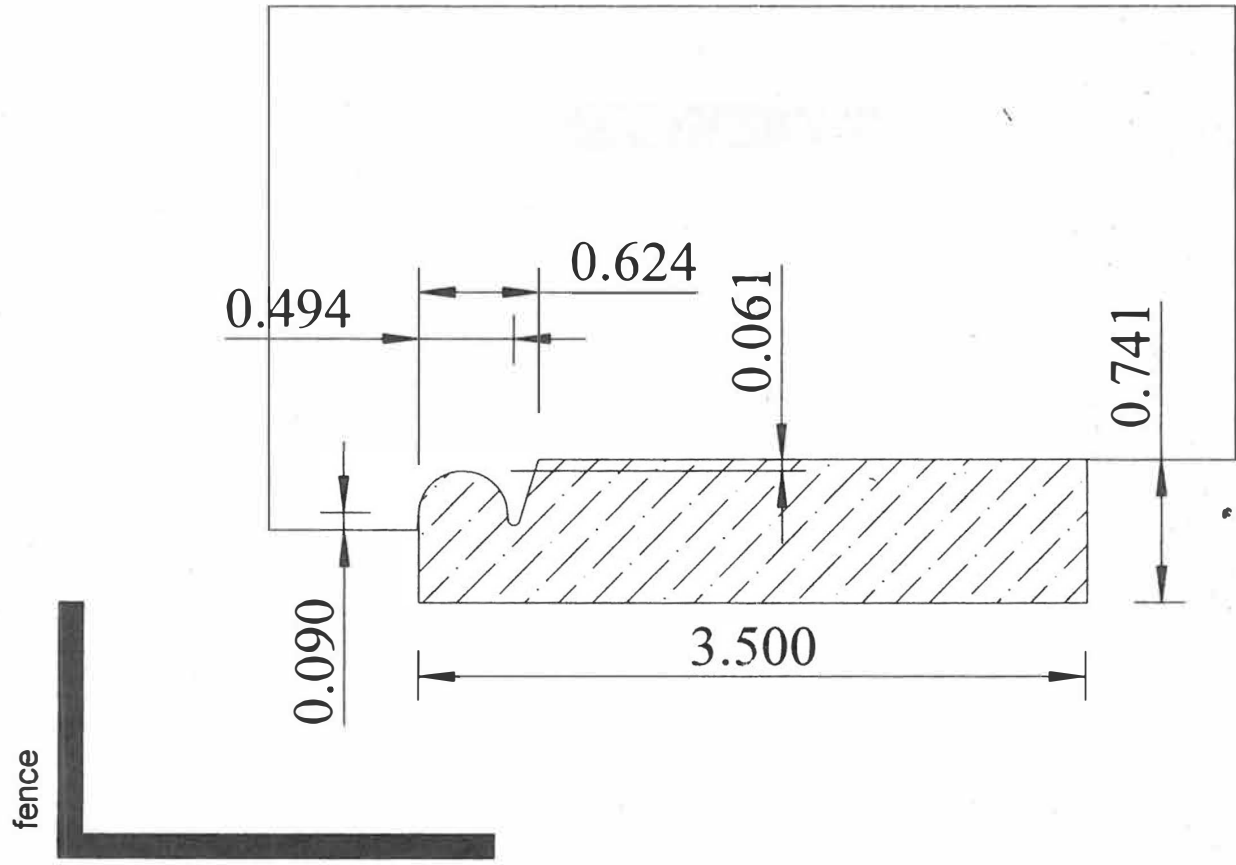
A. FILLINGER, INC.

MOULDING DIVISION

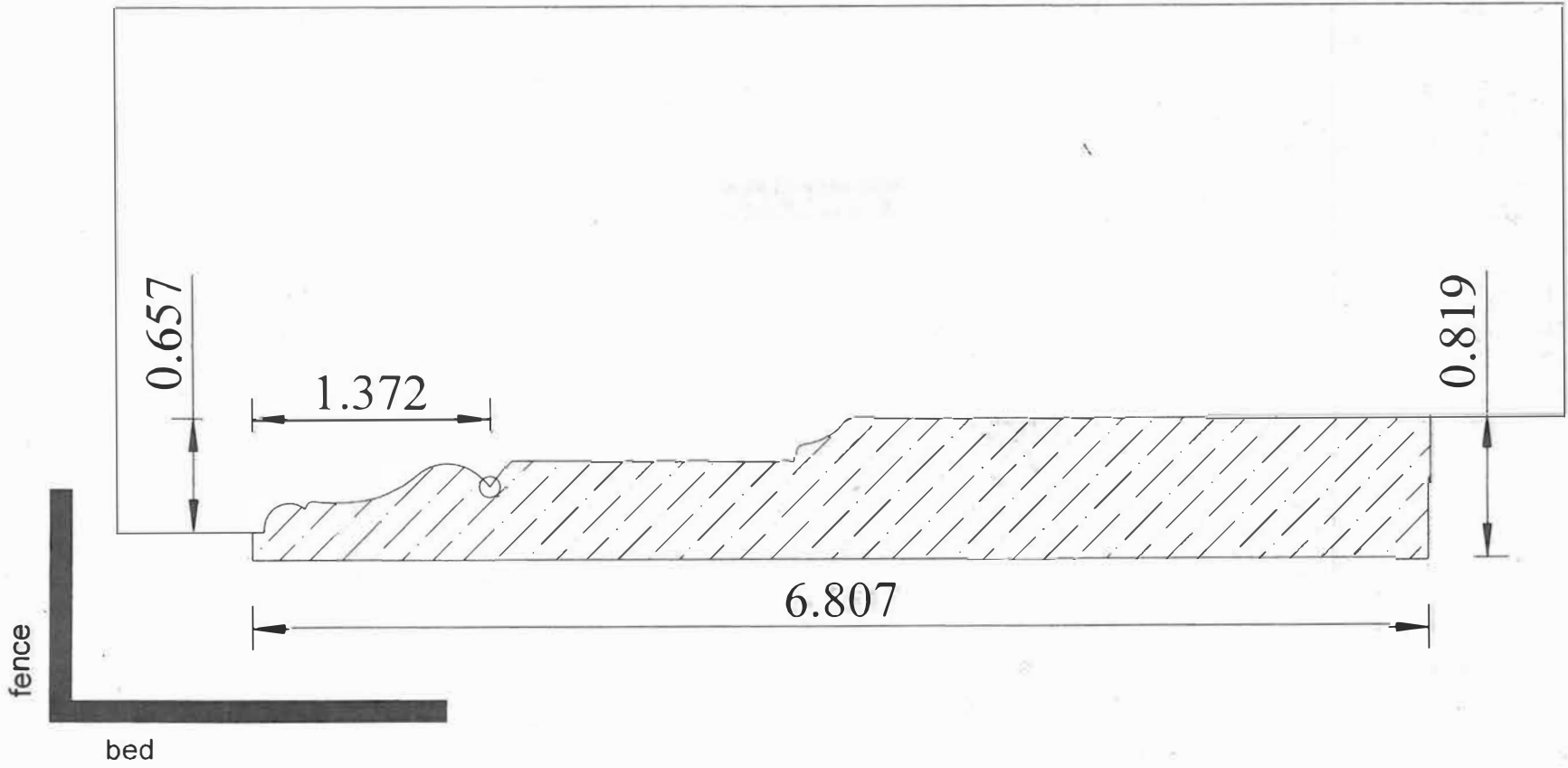
C-83T



D-42

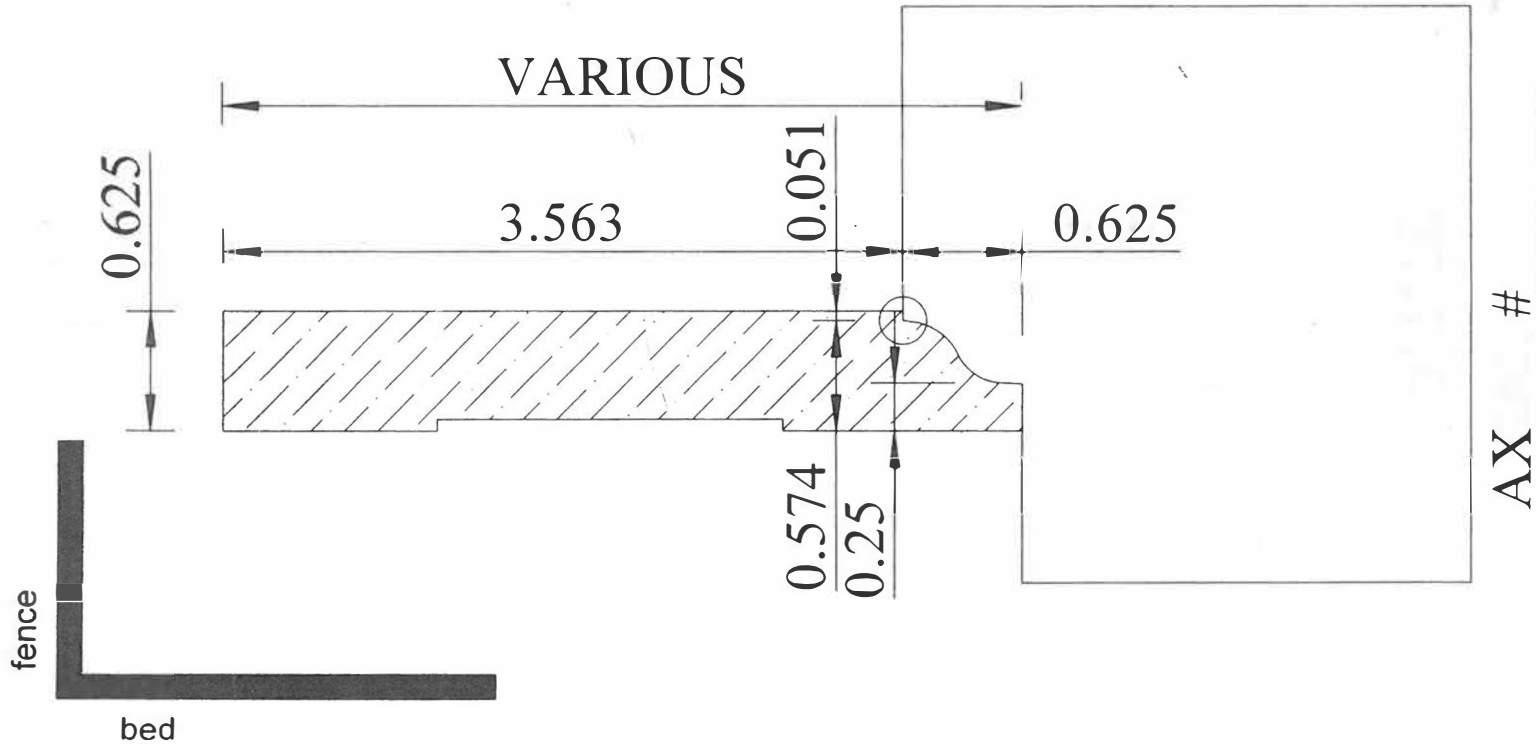


D-65



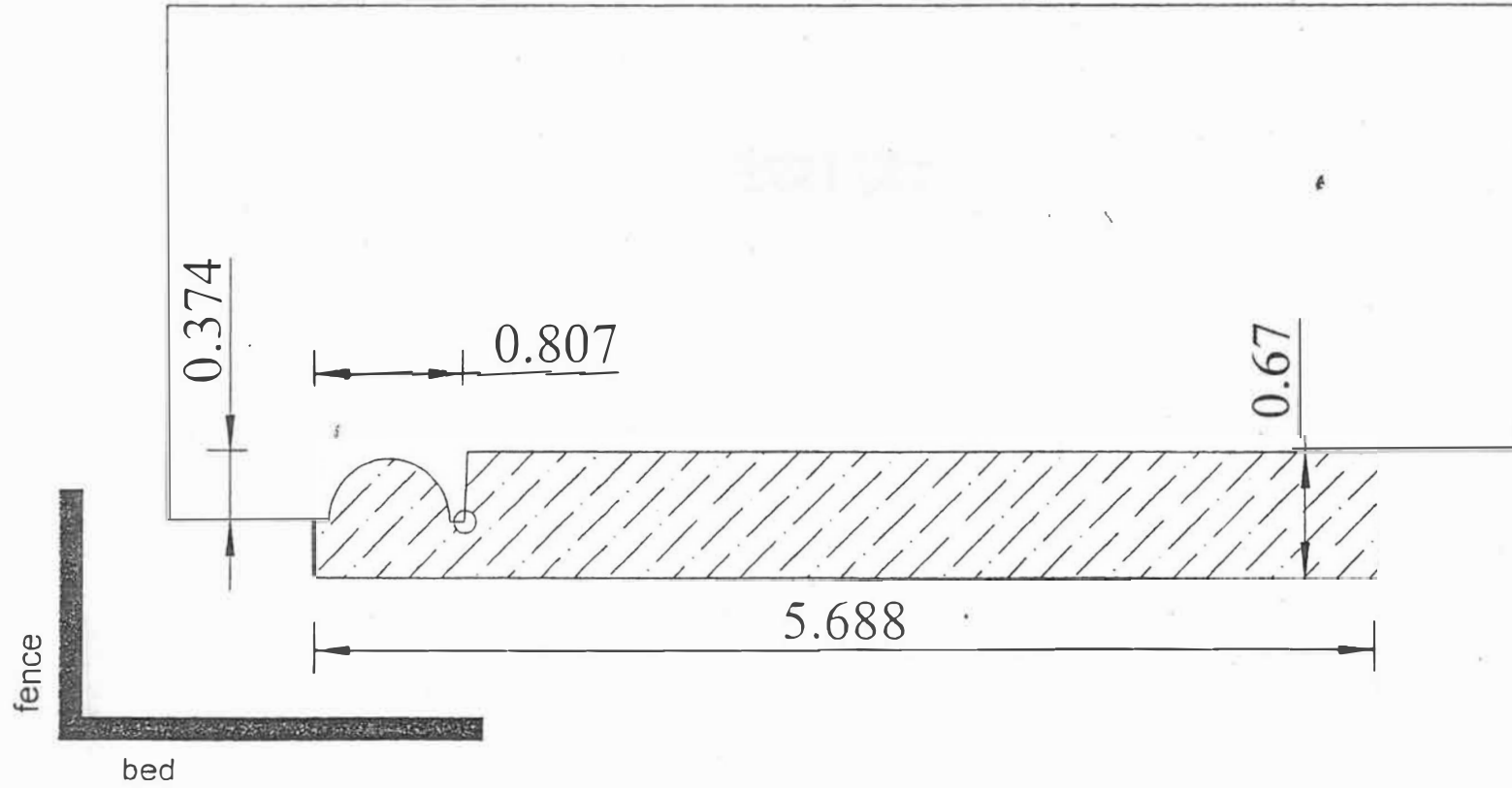
16
2

Grid
D78



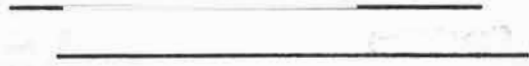
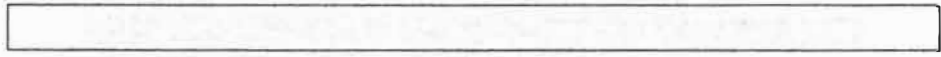
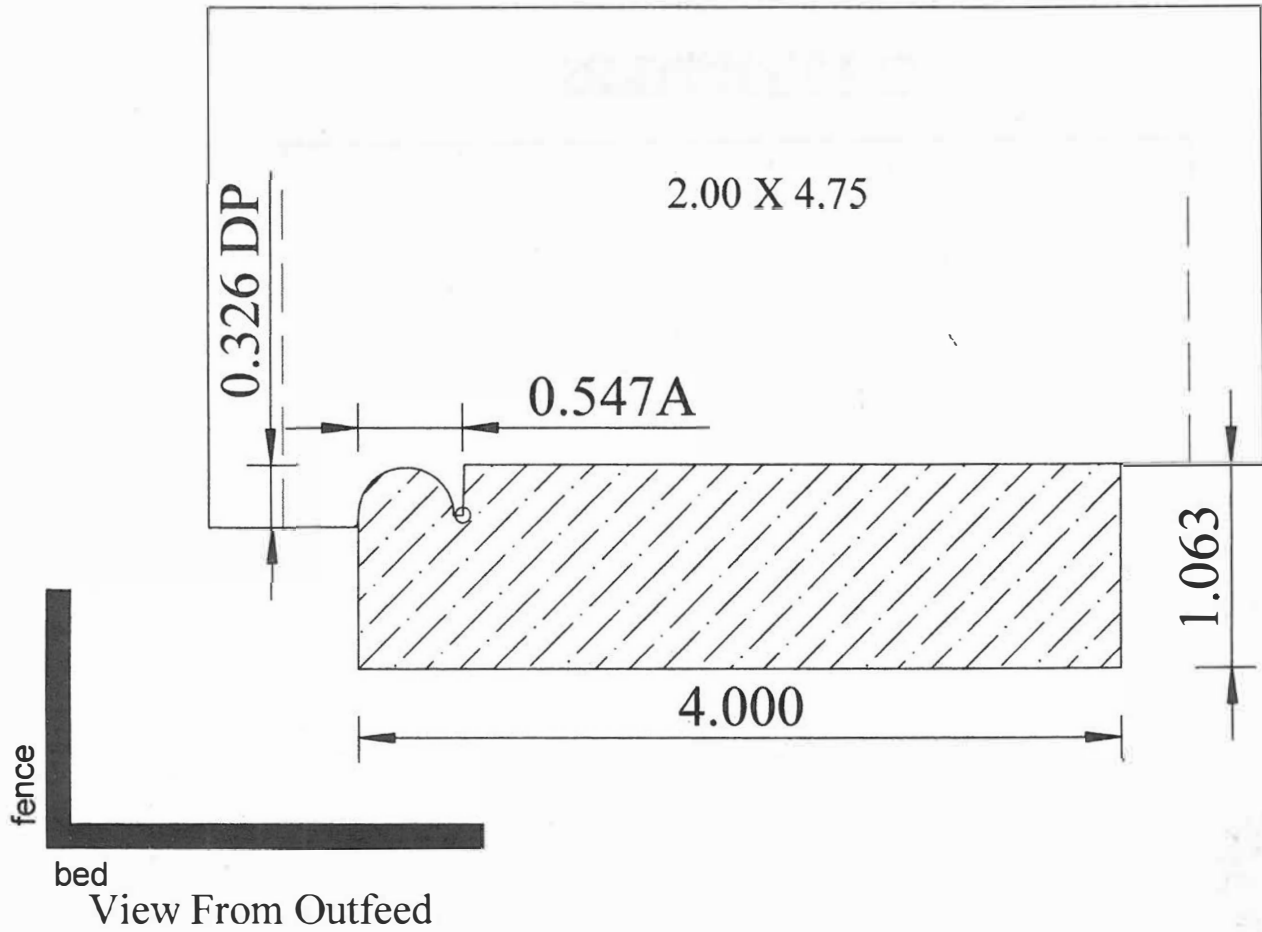
E-26

E-26

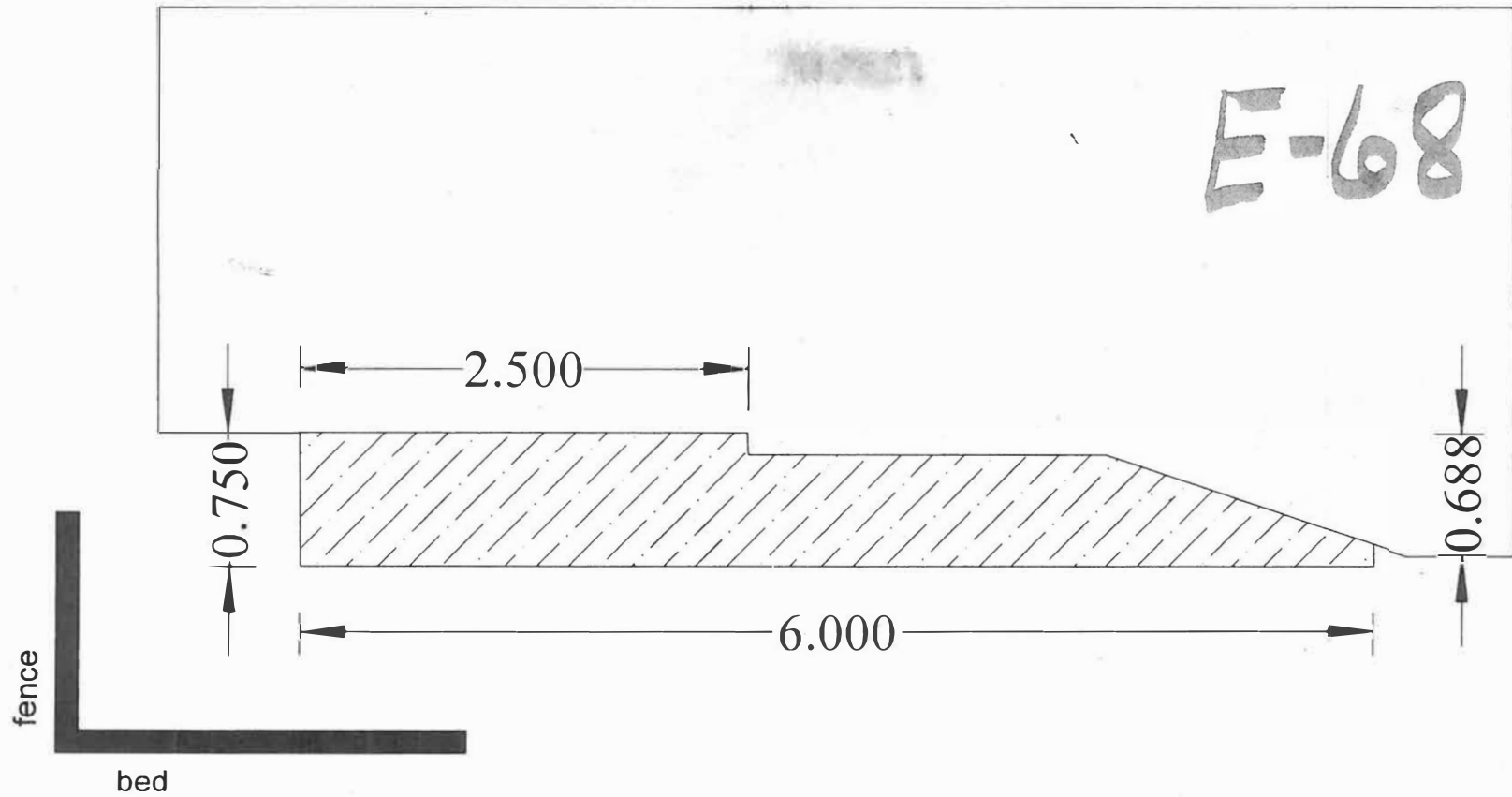


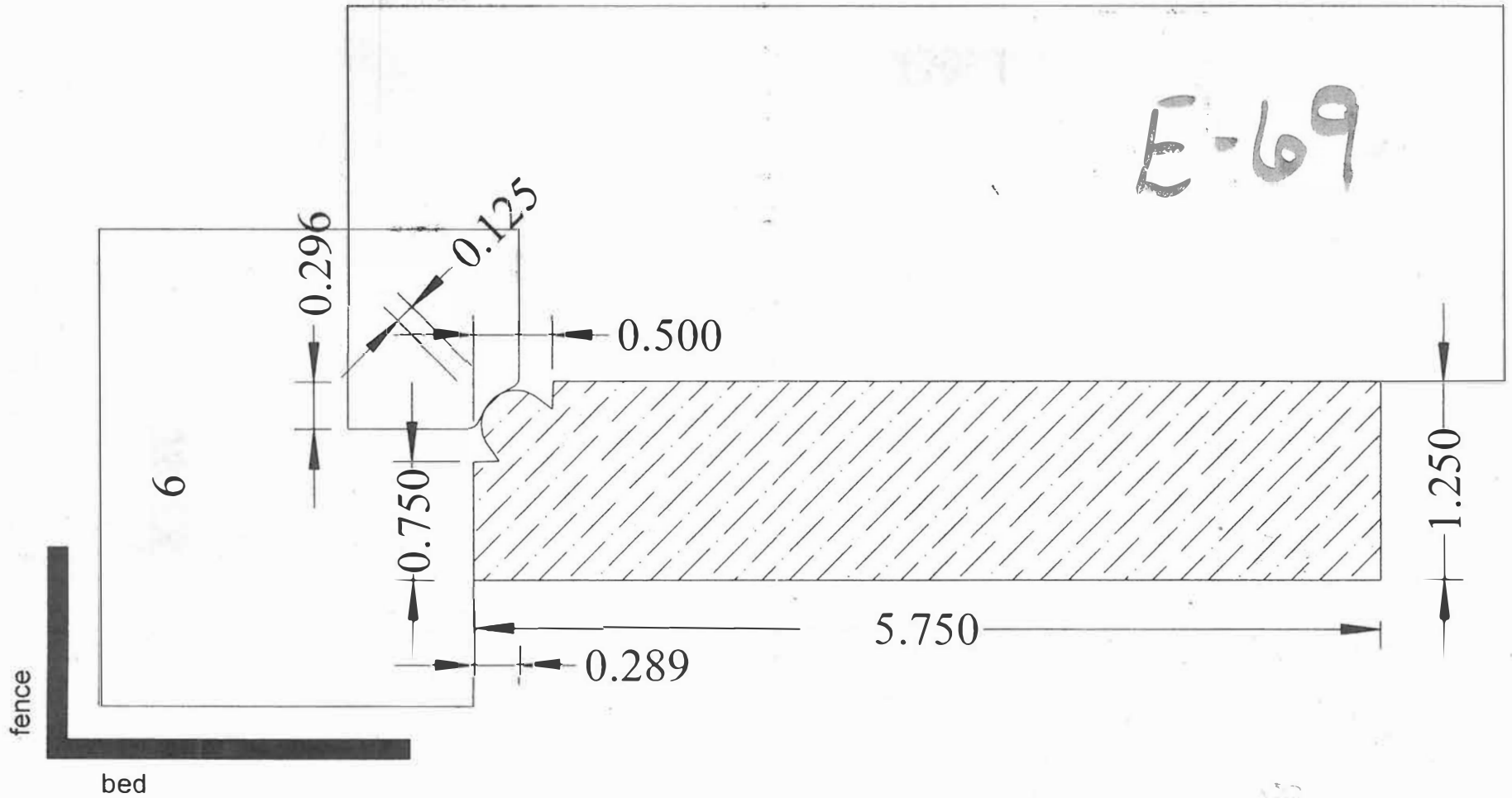
E-60

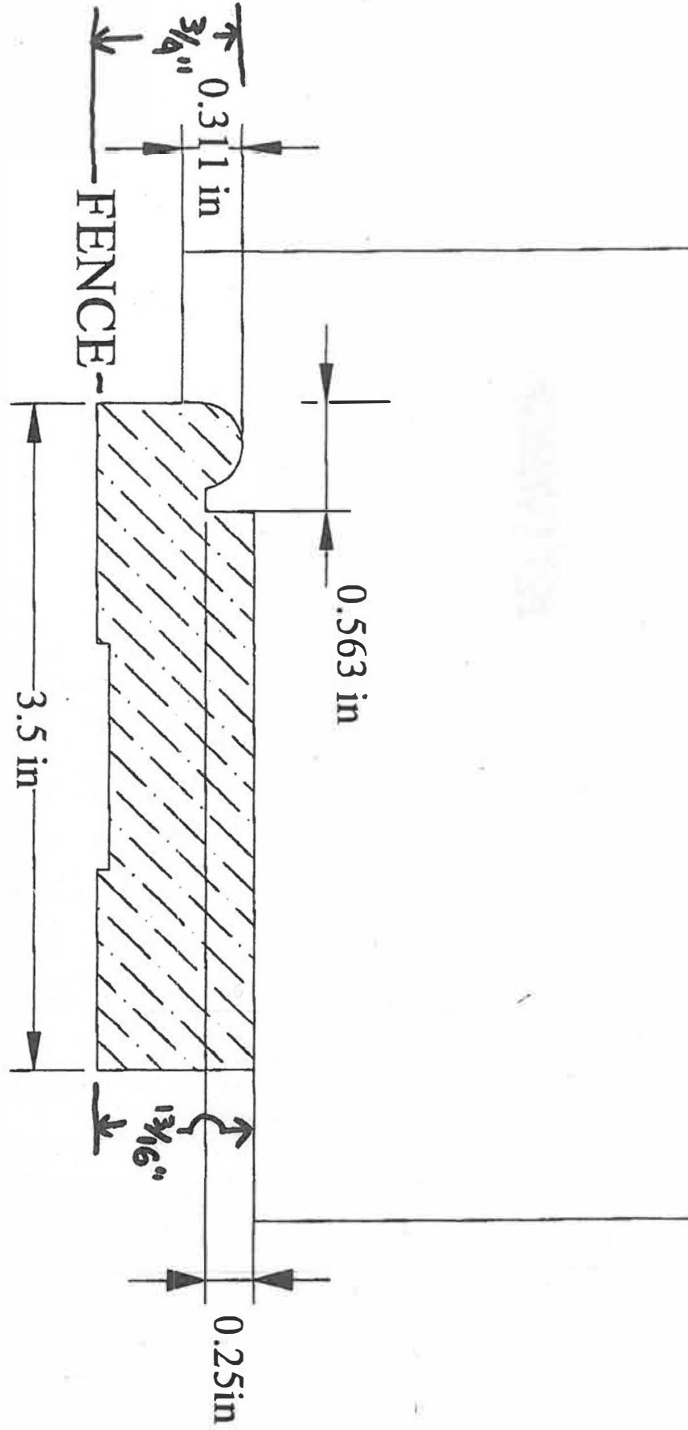
E-60



AXIAL # _____

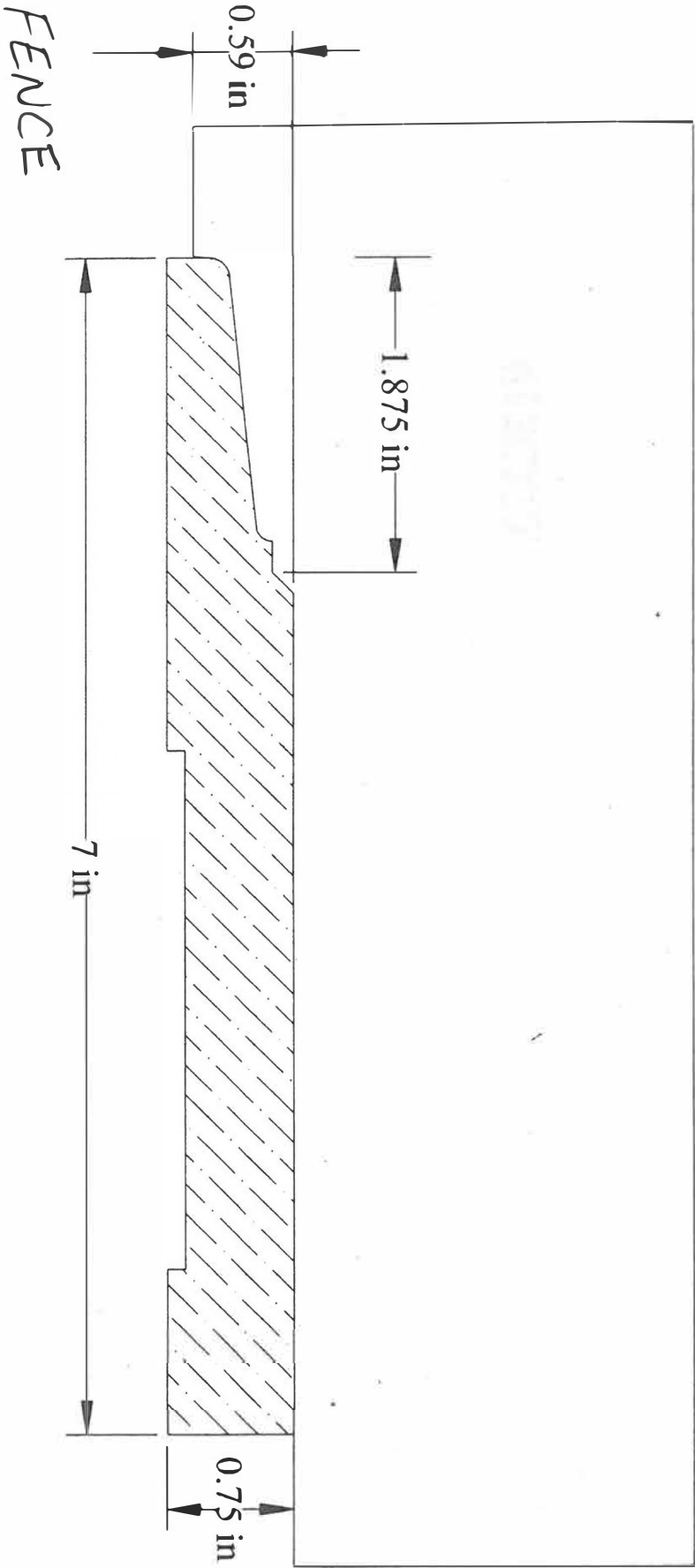


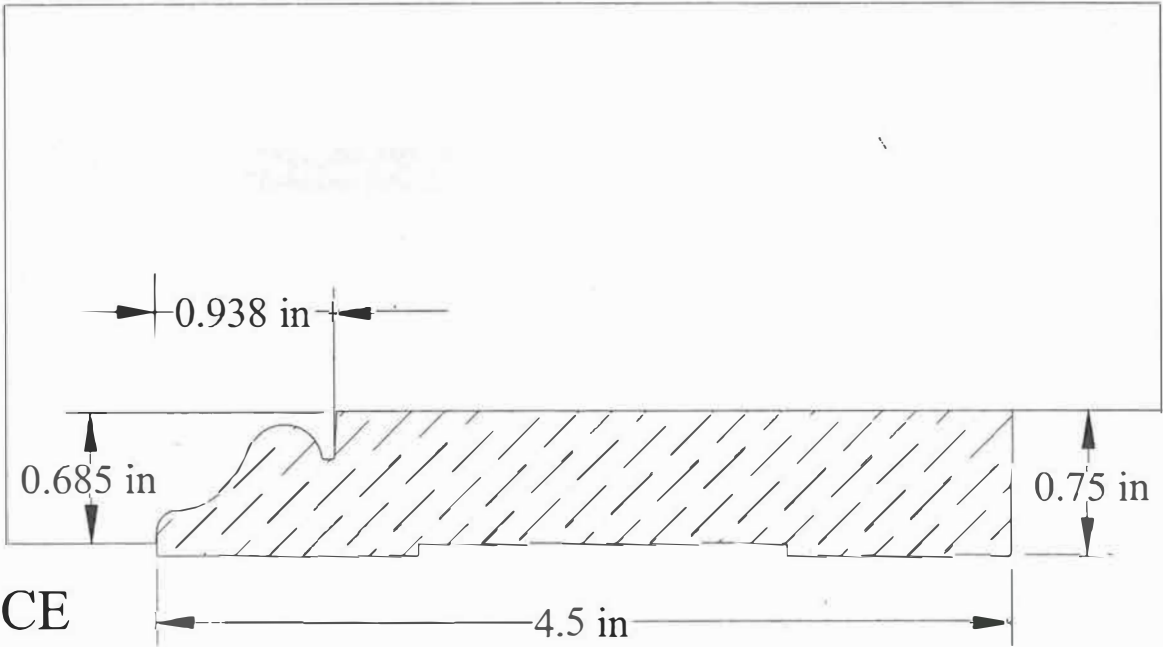




E-73

E-74

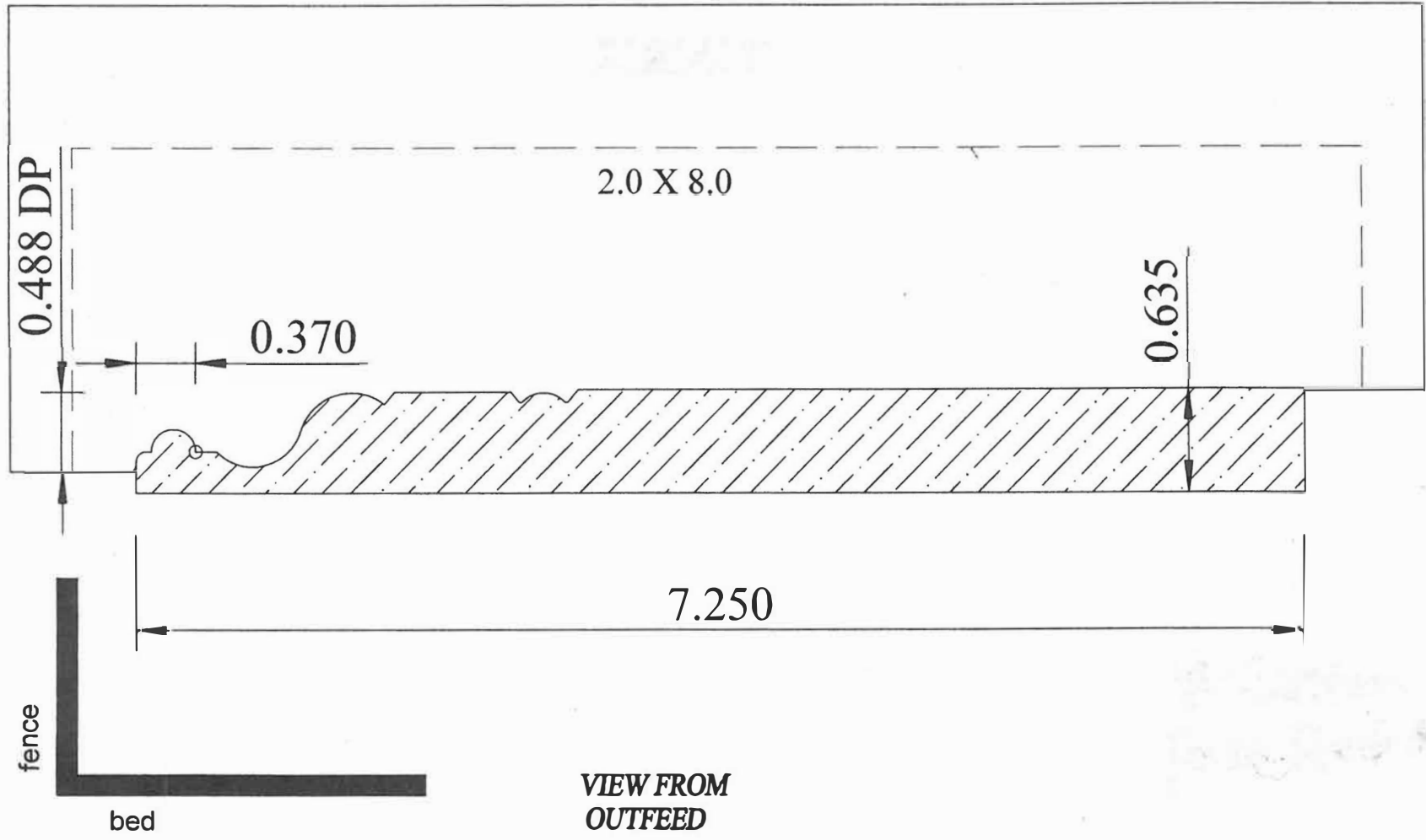




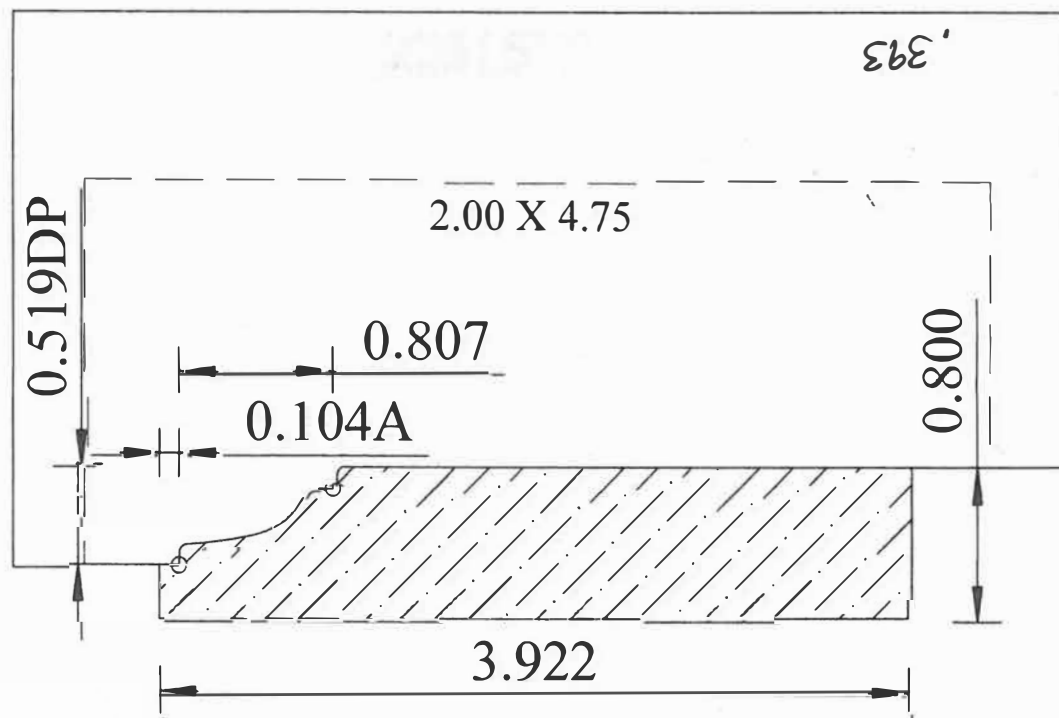
FENCE

E-A

E-82



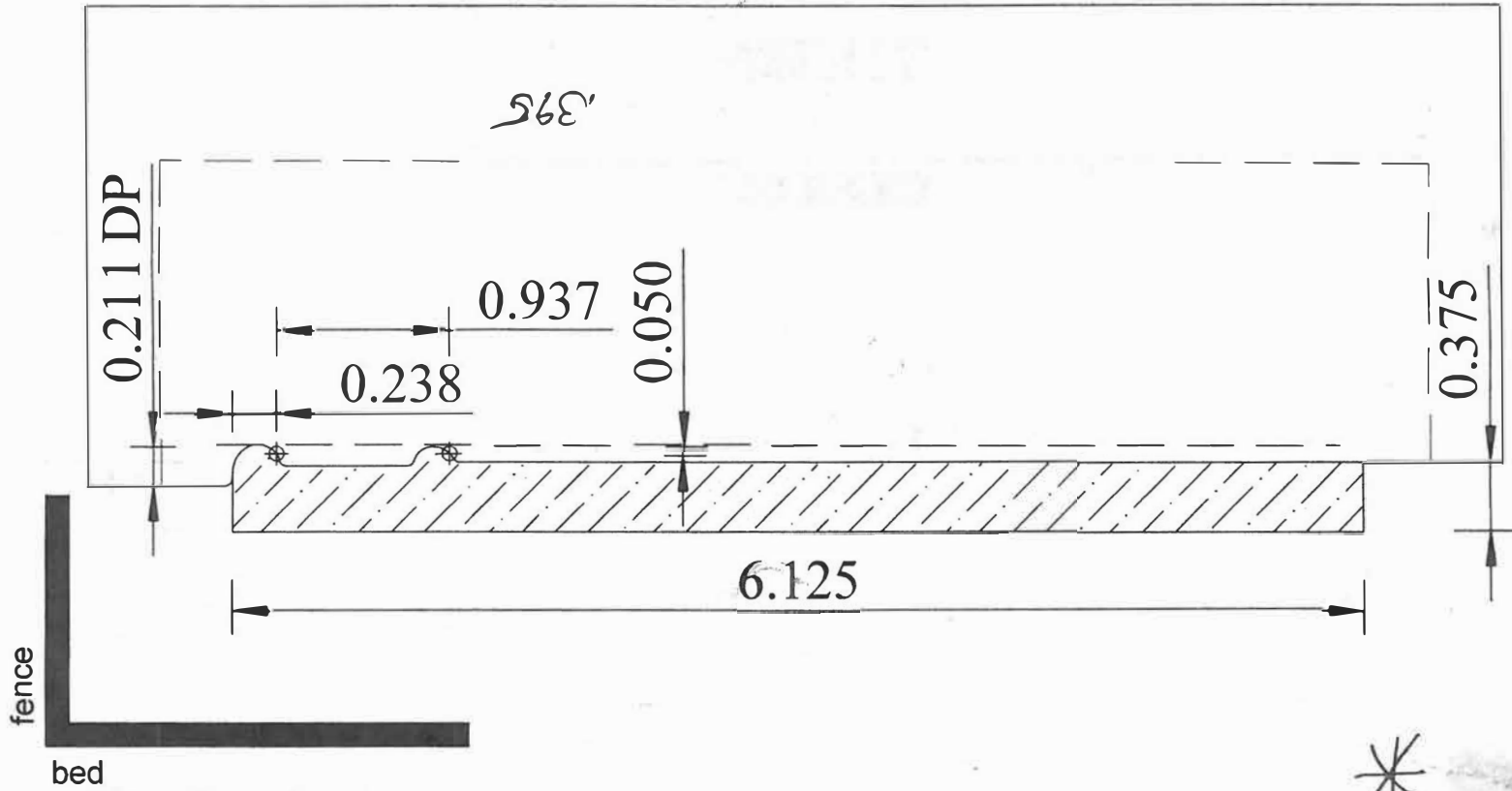
E-86



View From Outfeed



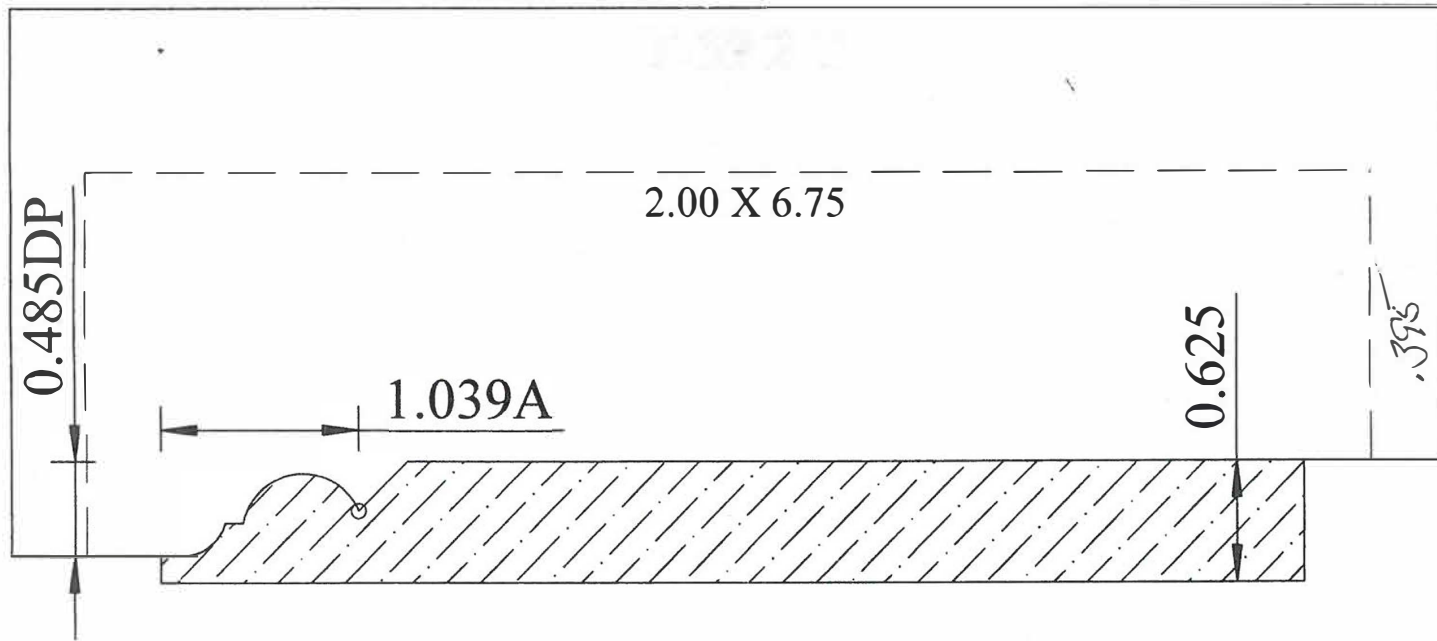
E-88T



S/8 X 4-1/2

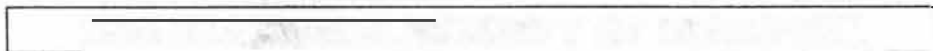
F.39

↳ UP TO 6-1/2



fence

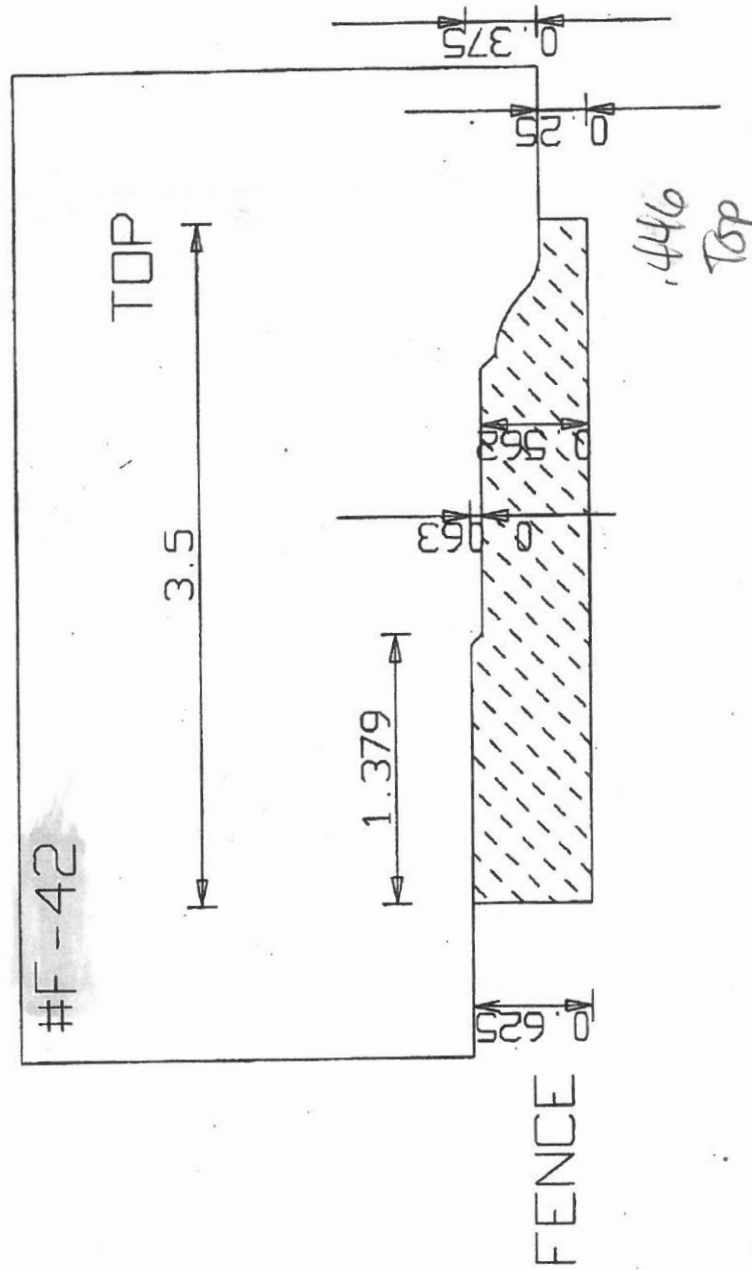
bed

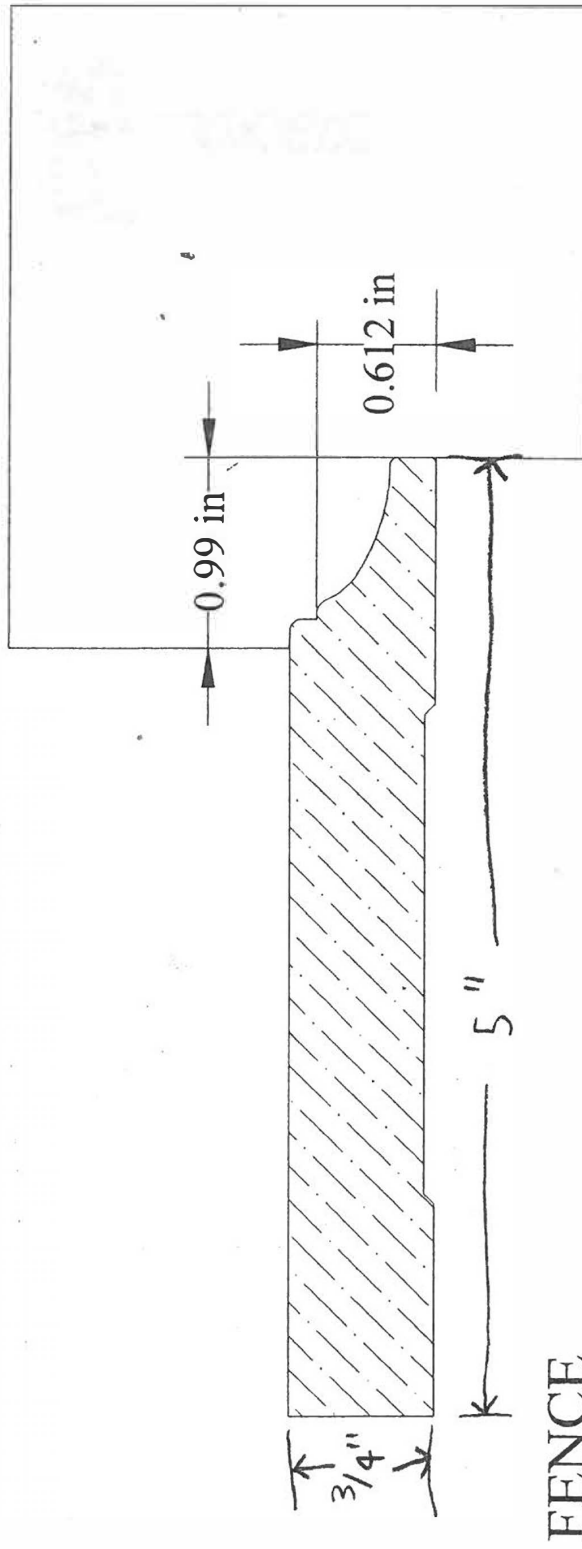


x

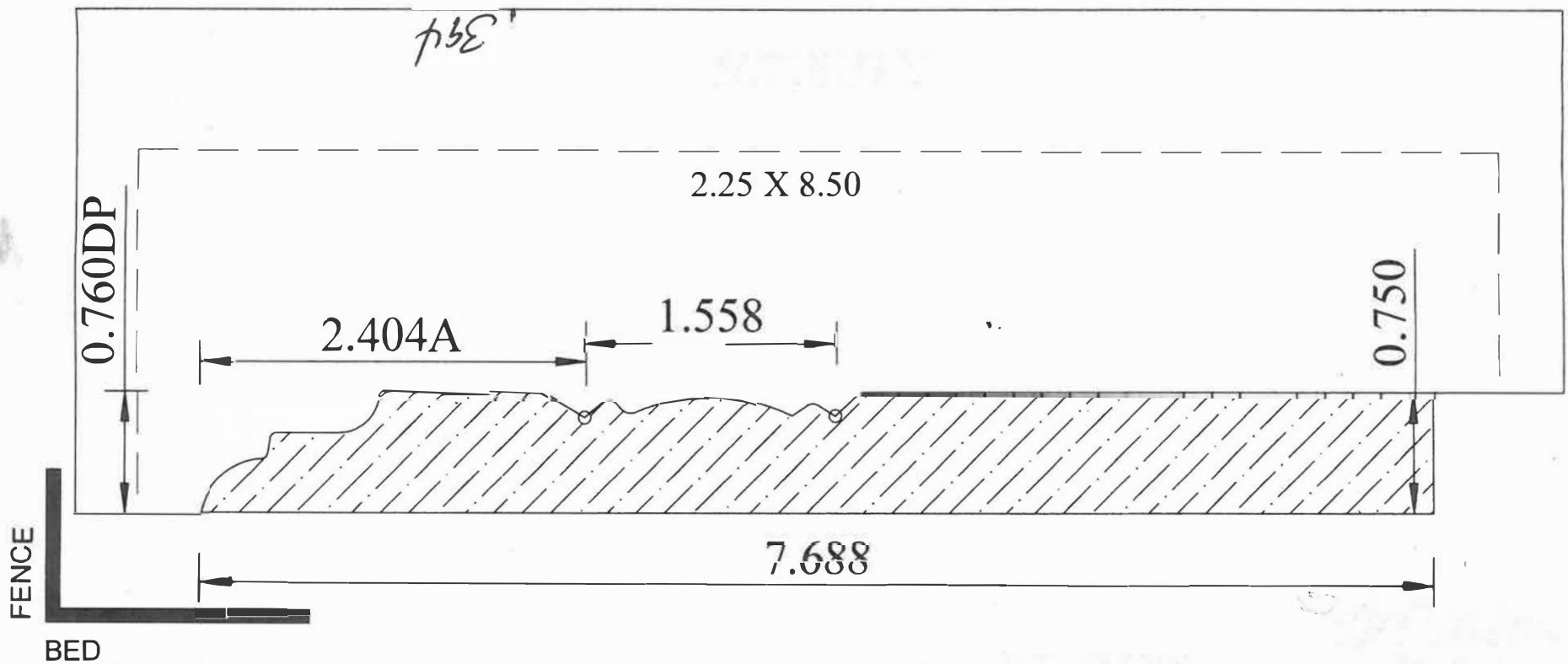
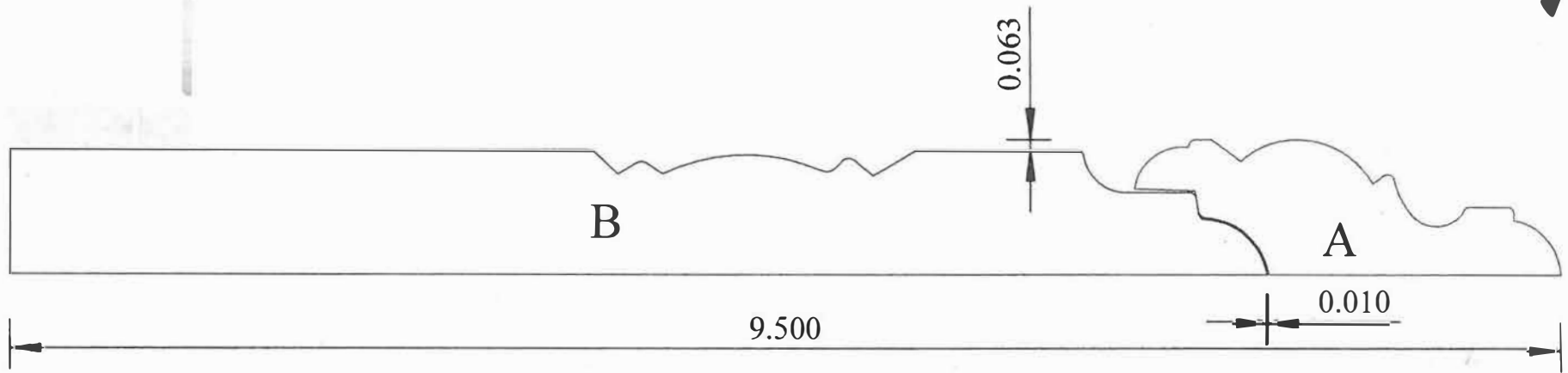


0/40

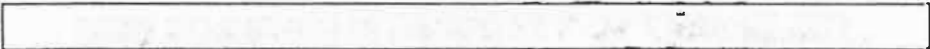
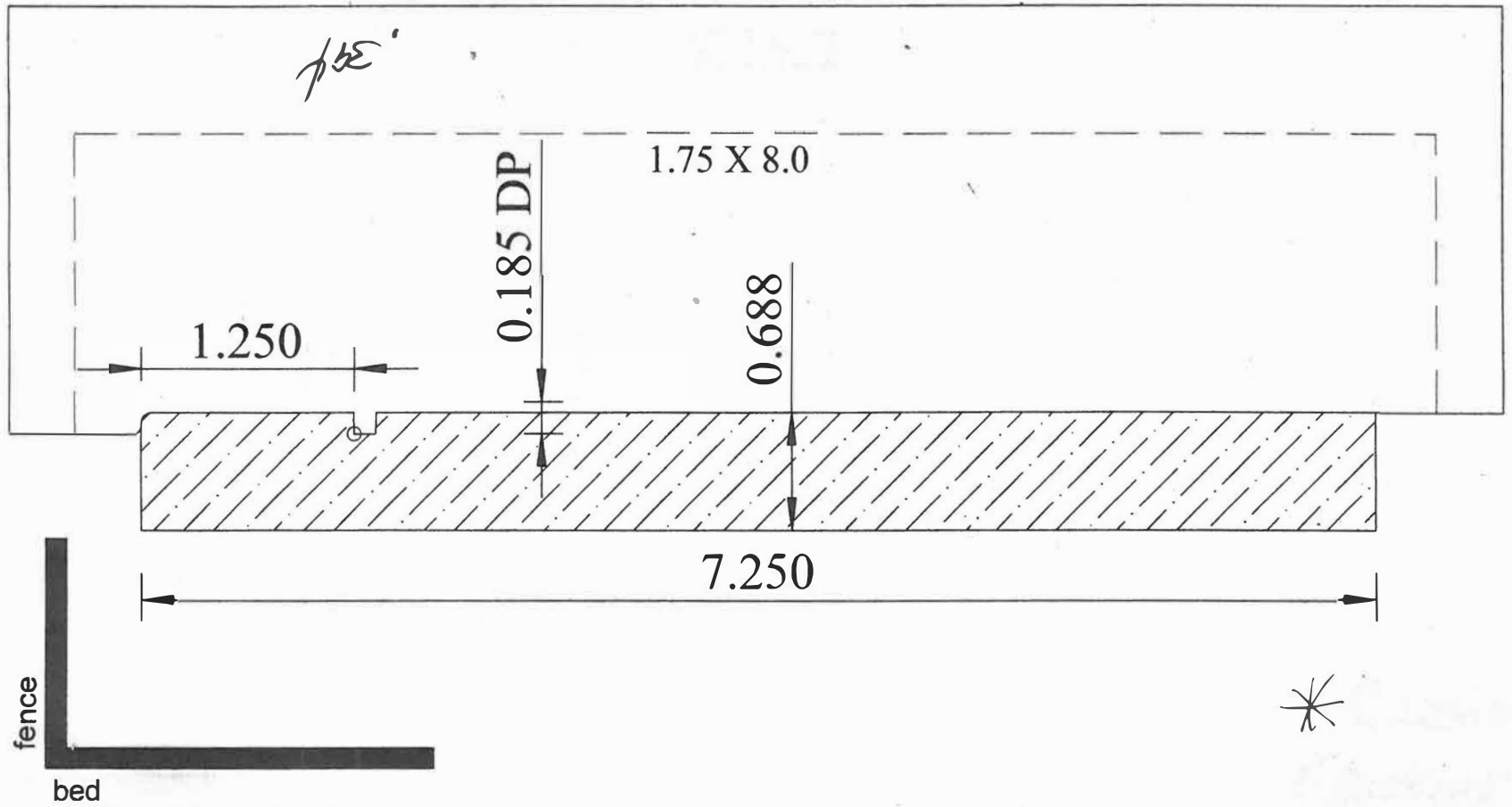




F-54

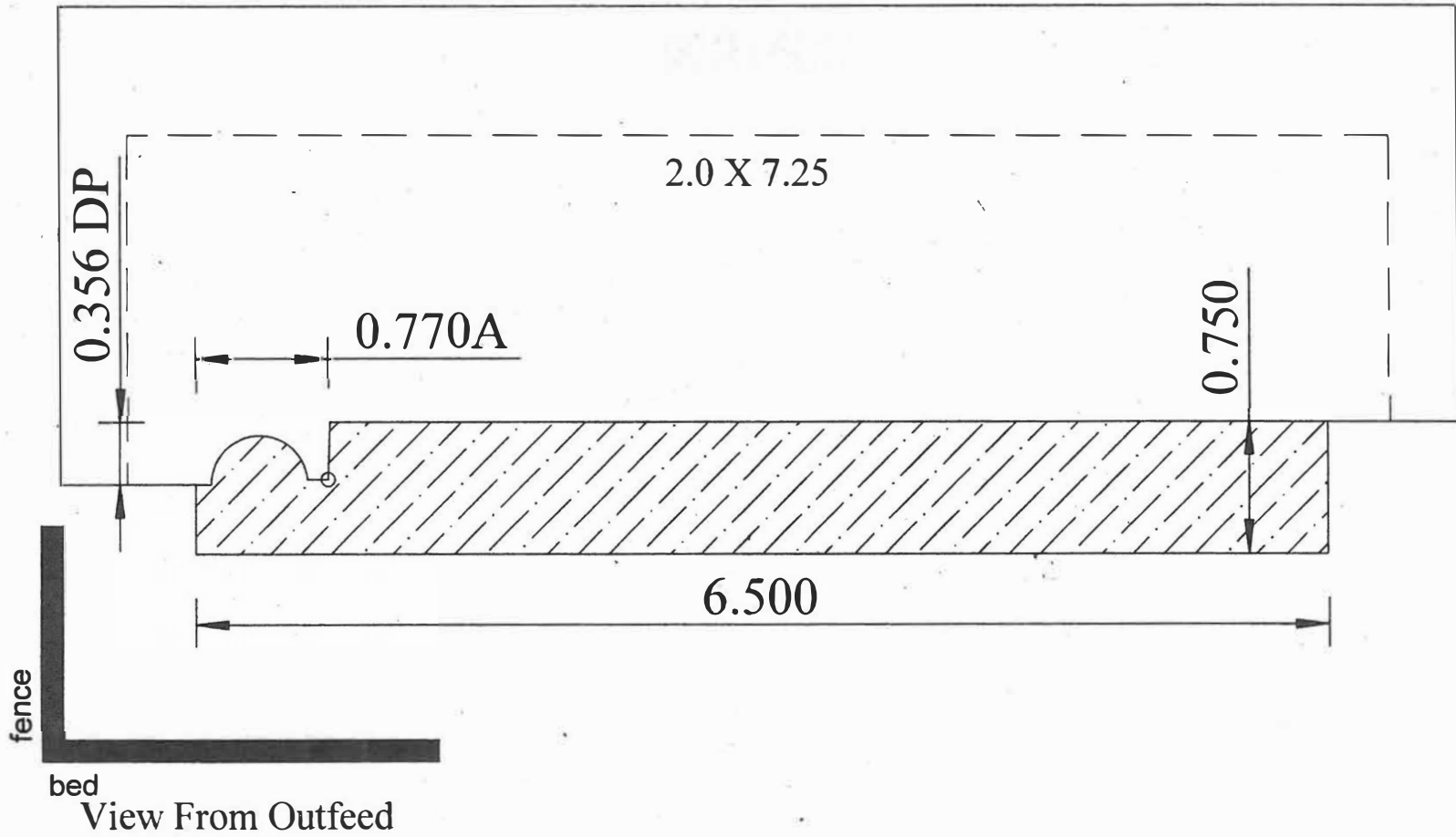


F-88

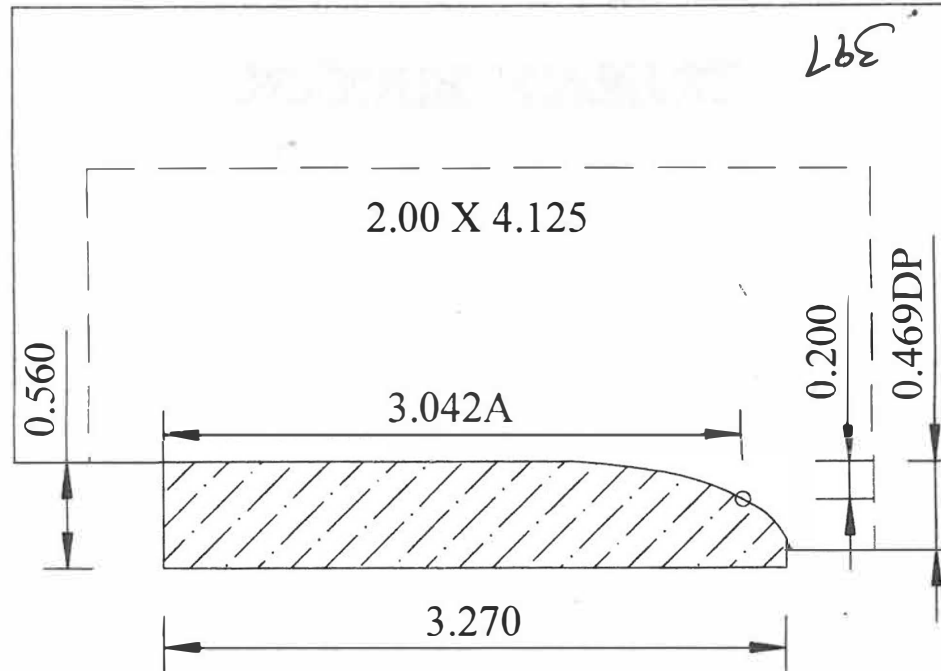


Date: _____

F-96



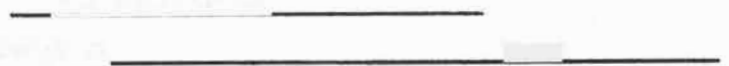
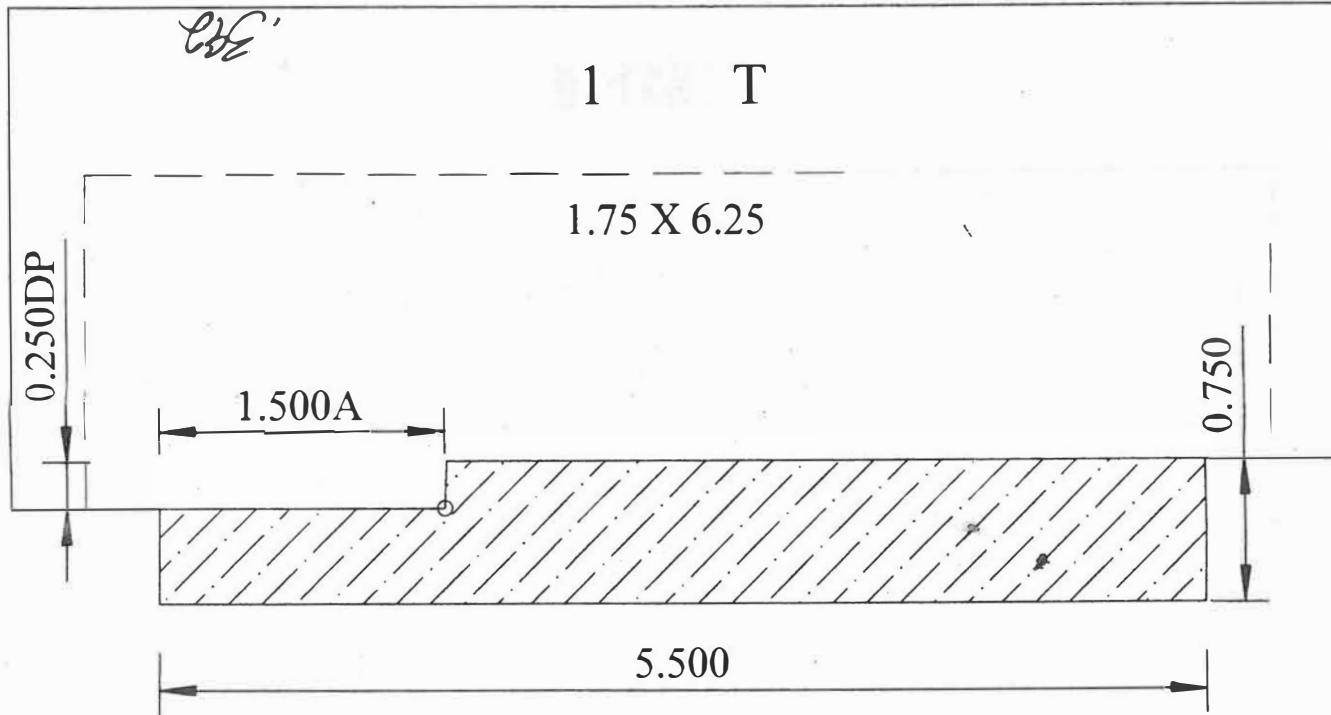
6-57



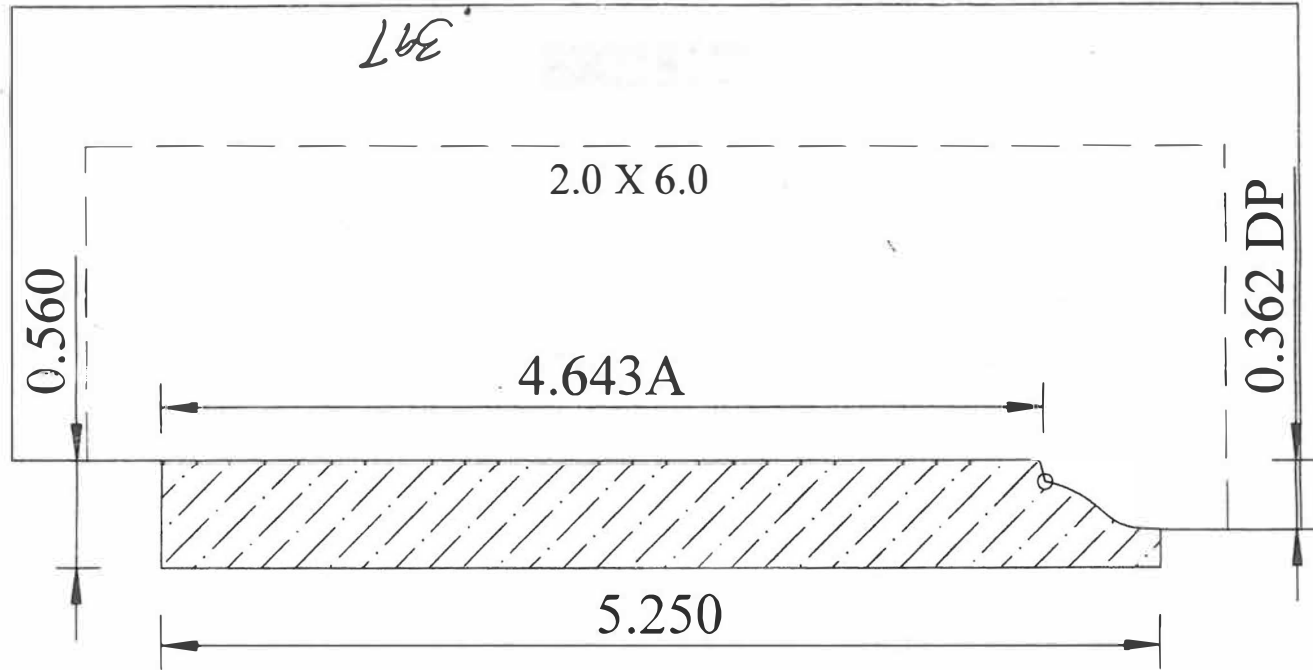
CE

DATE: _____

G-60



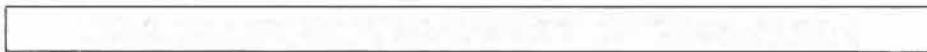
G-61



fence

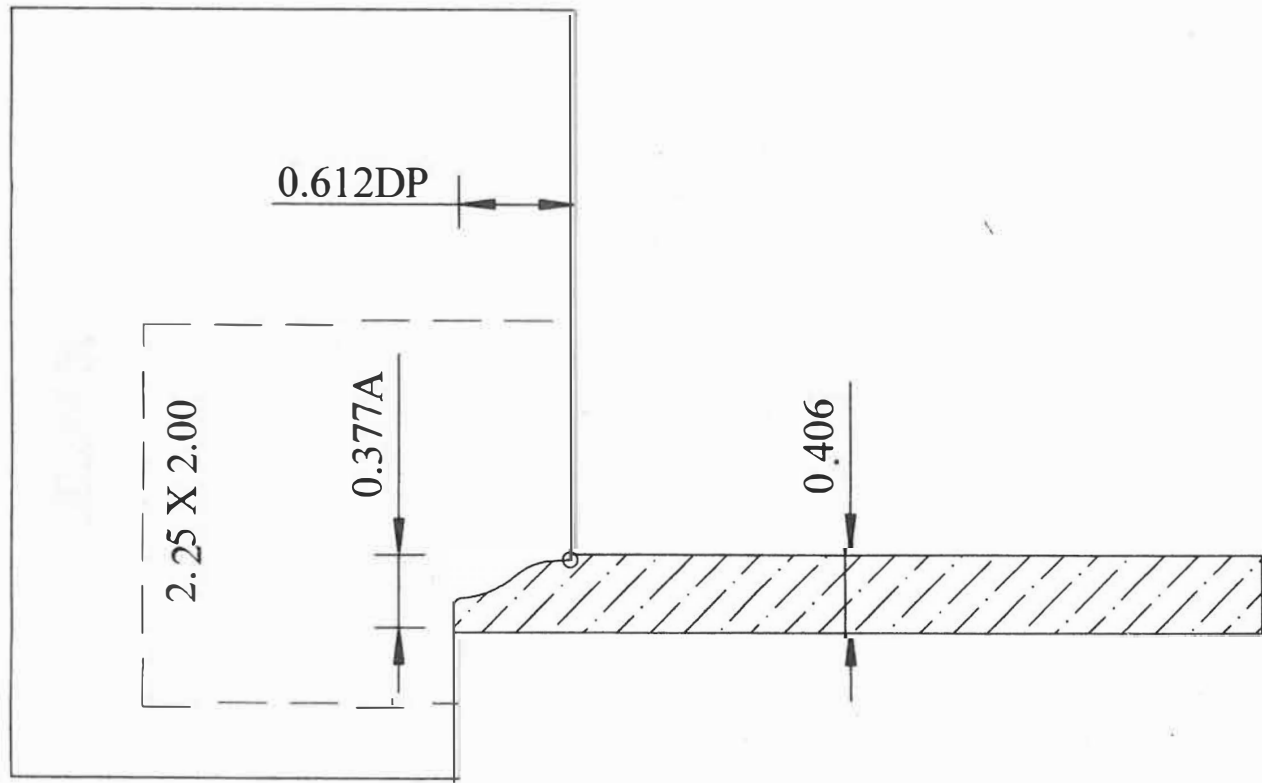
bed

View From Outfeed



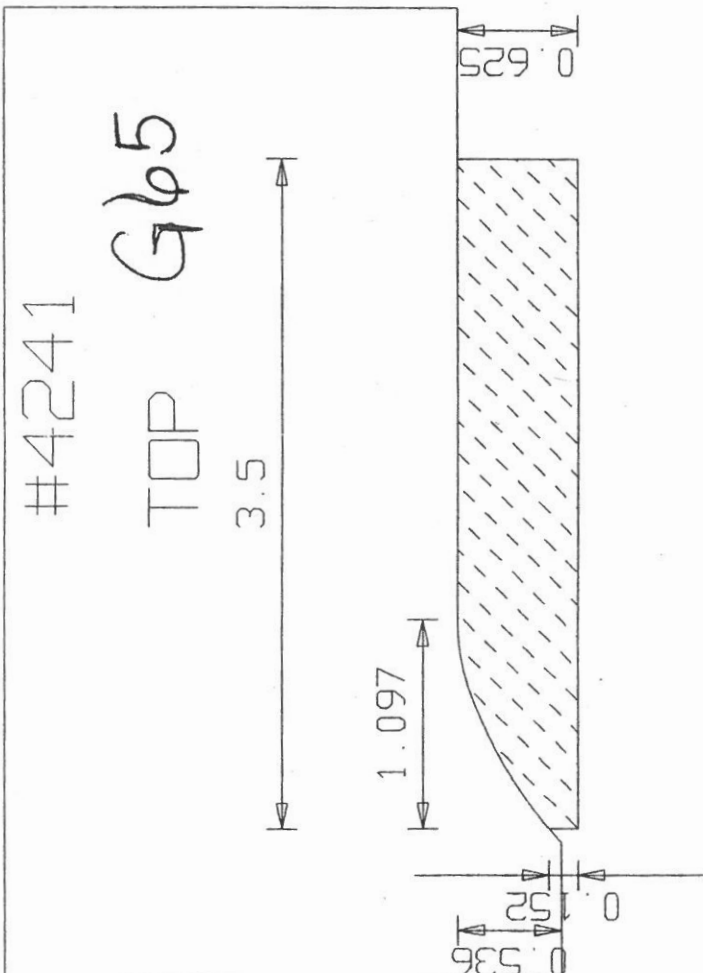
G-62

G-62



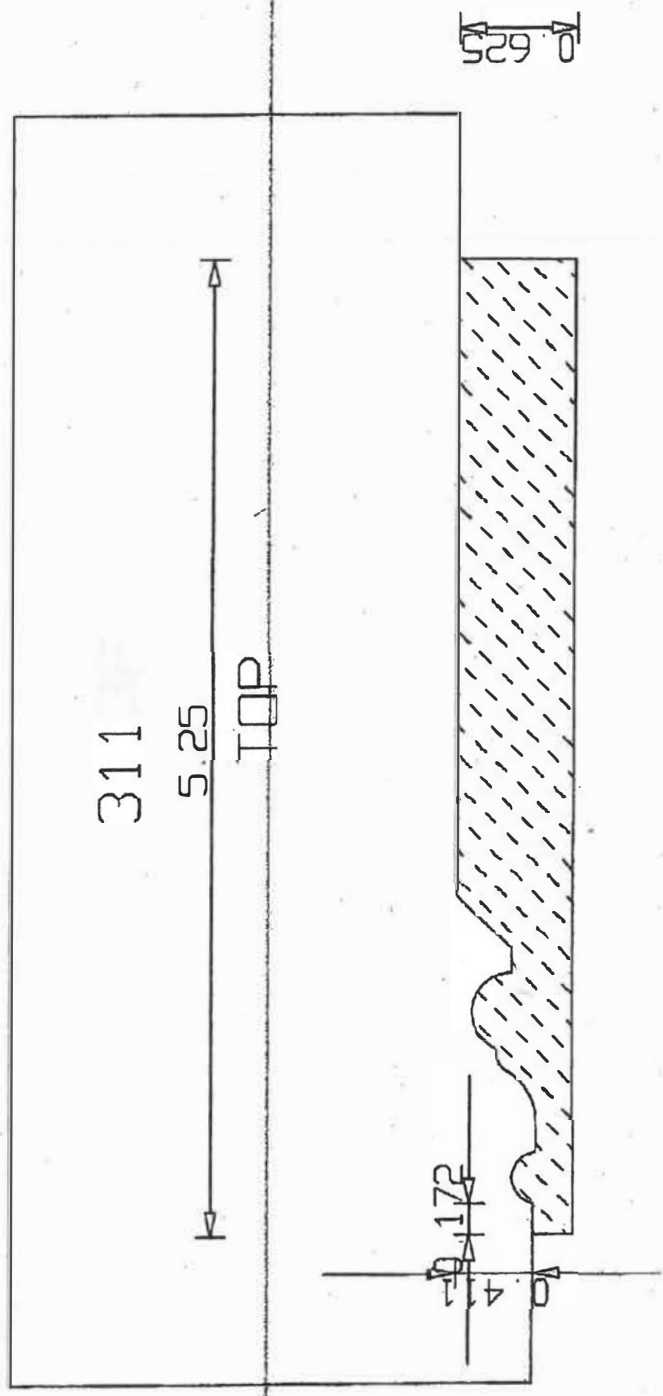
x

DATE:



FENCE

Gilbo

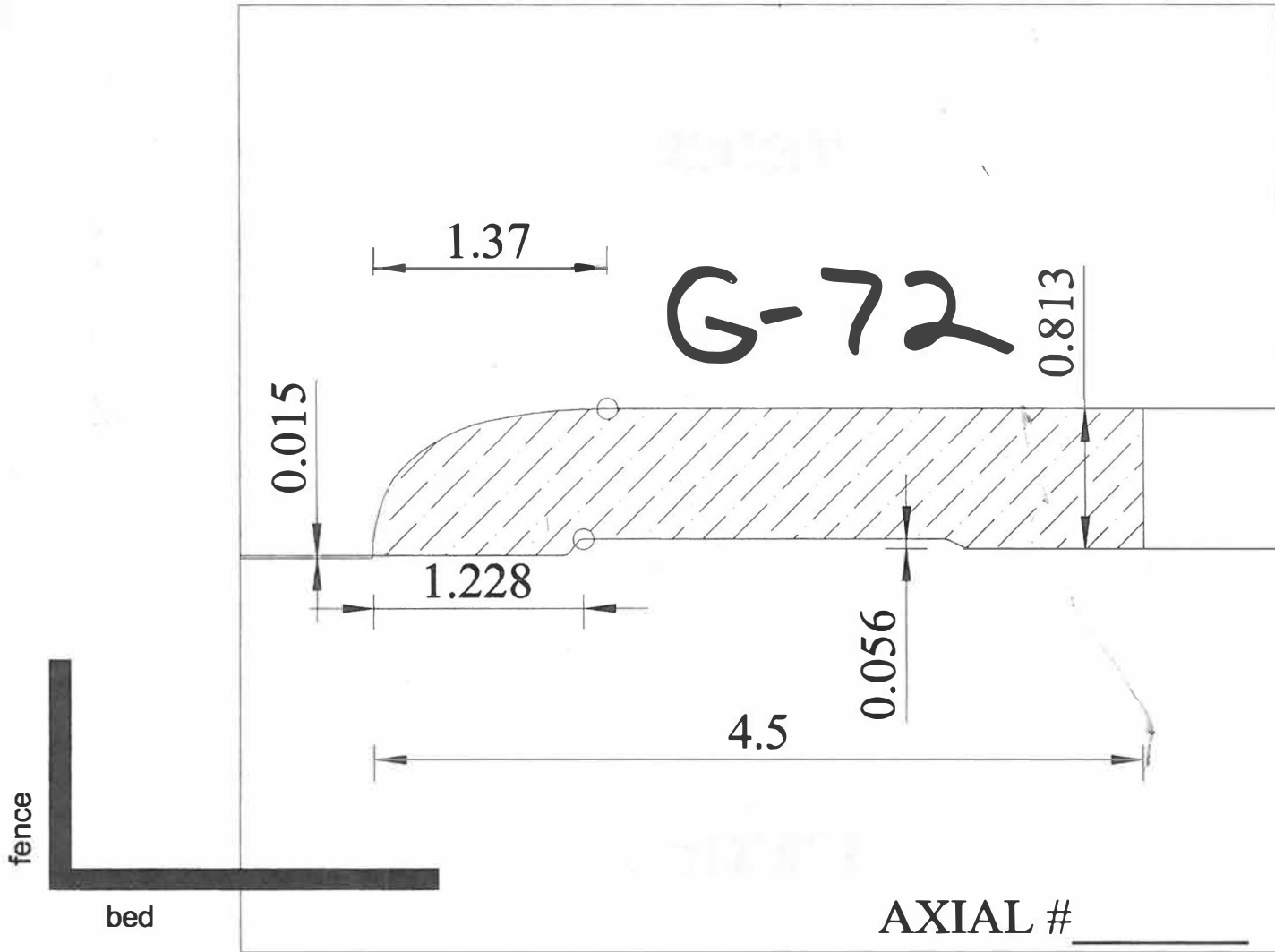


FENCE

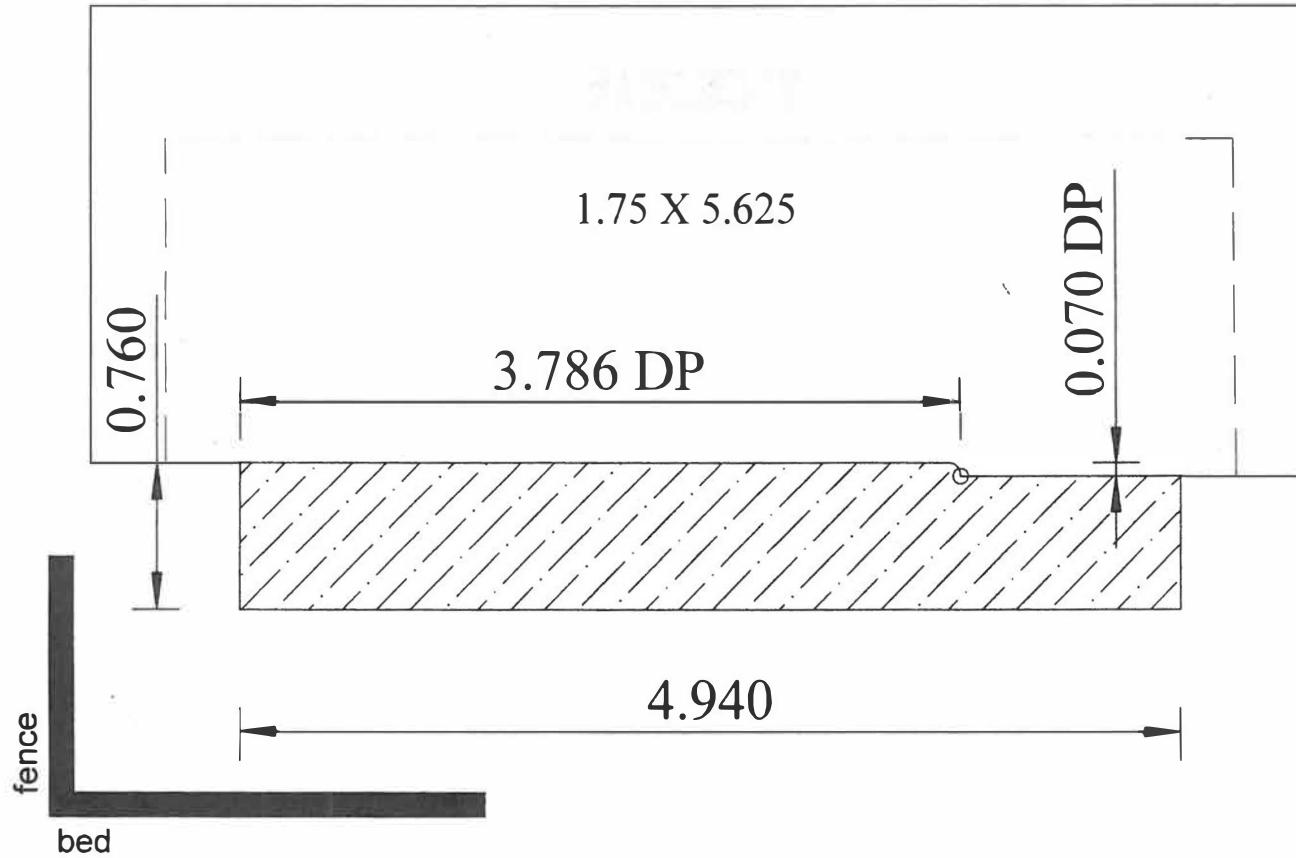
AXIAL # _____

G-72

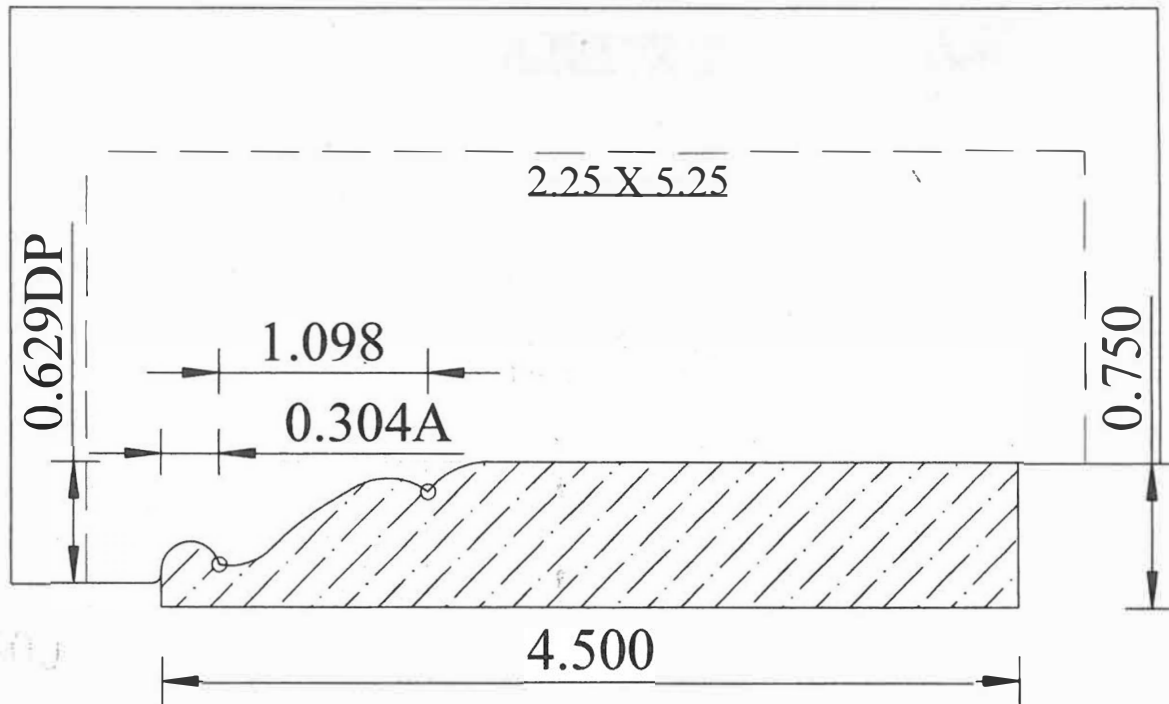
G-72



H-55



H-69



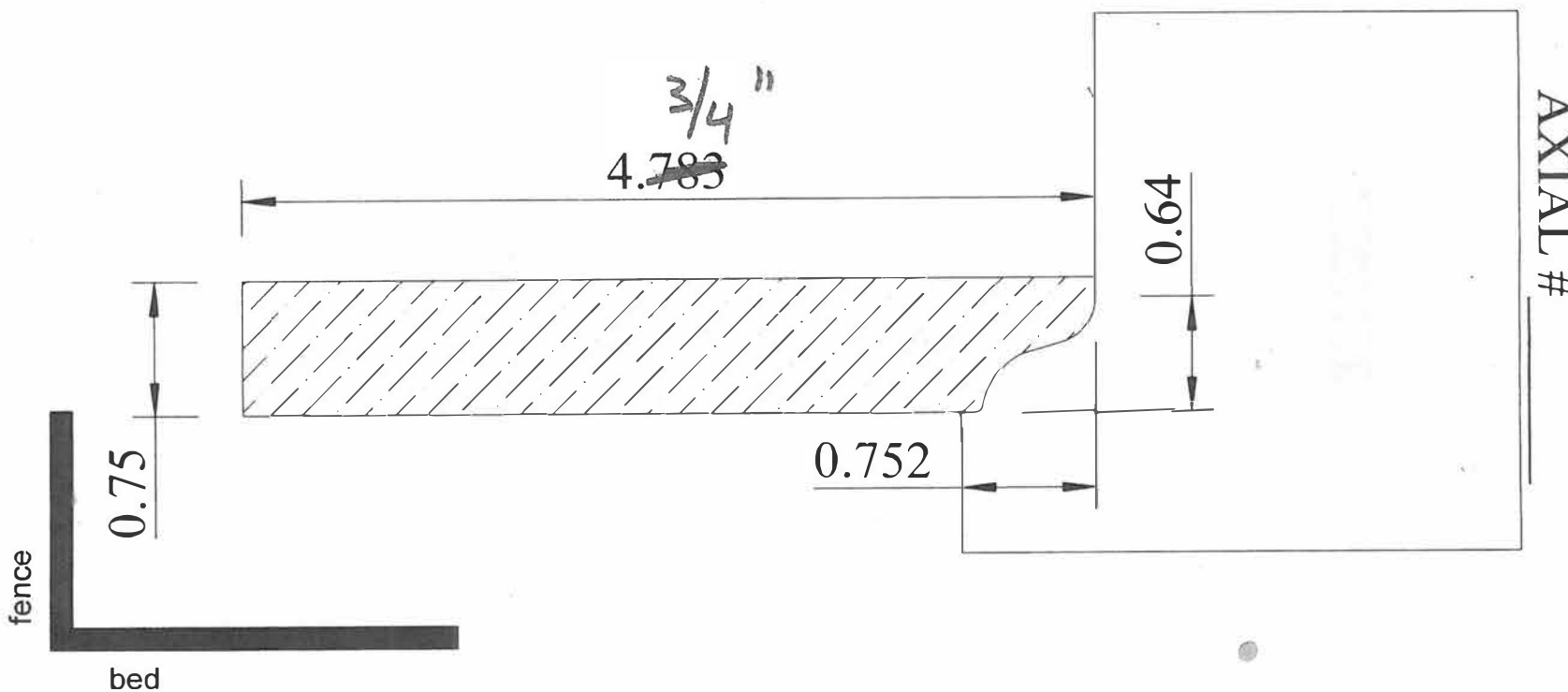


- EST 1938 -

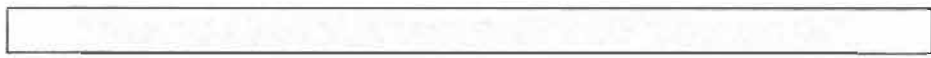
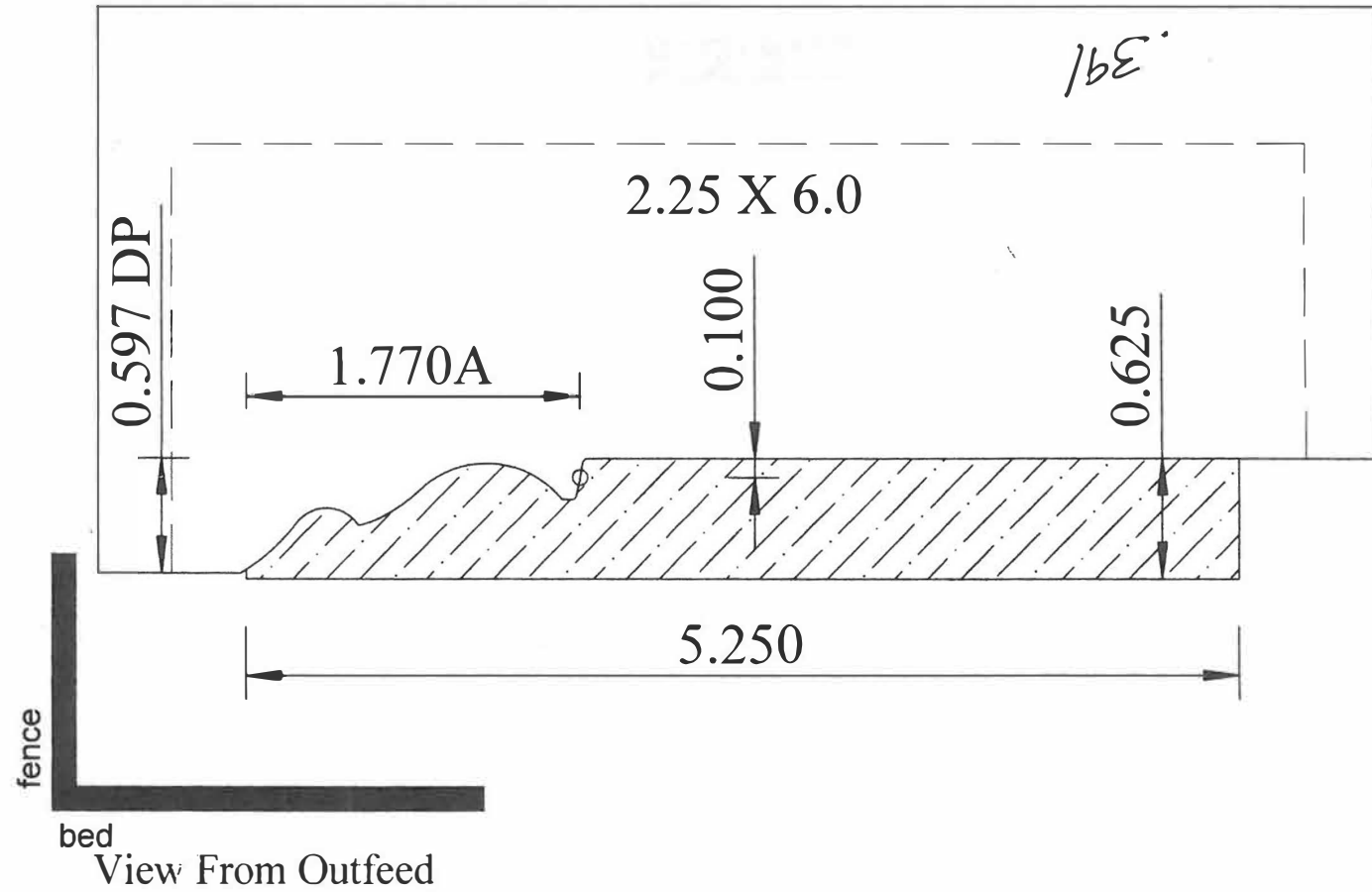
A. FILLINGER, INC.

MOULDING DIVISION

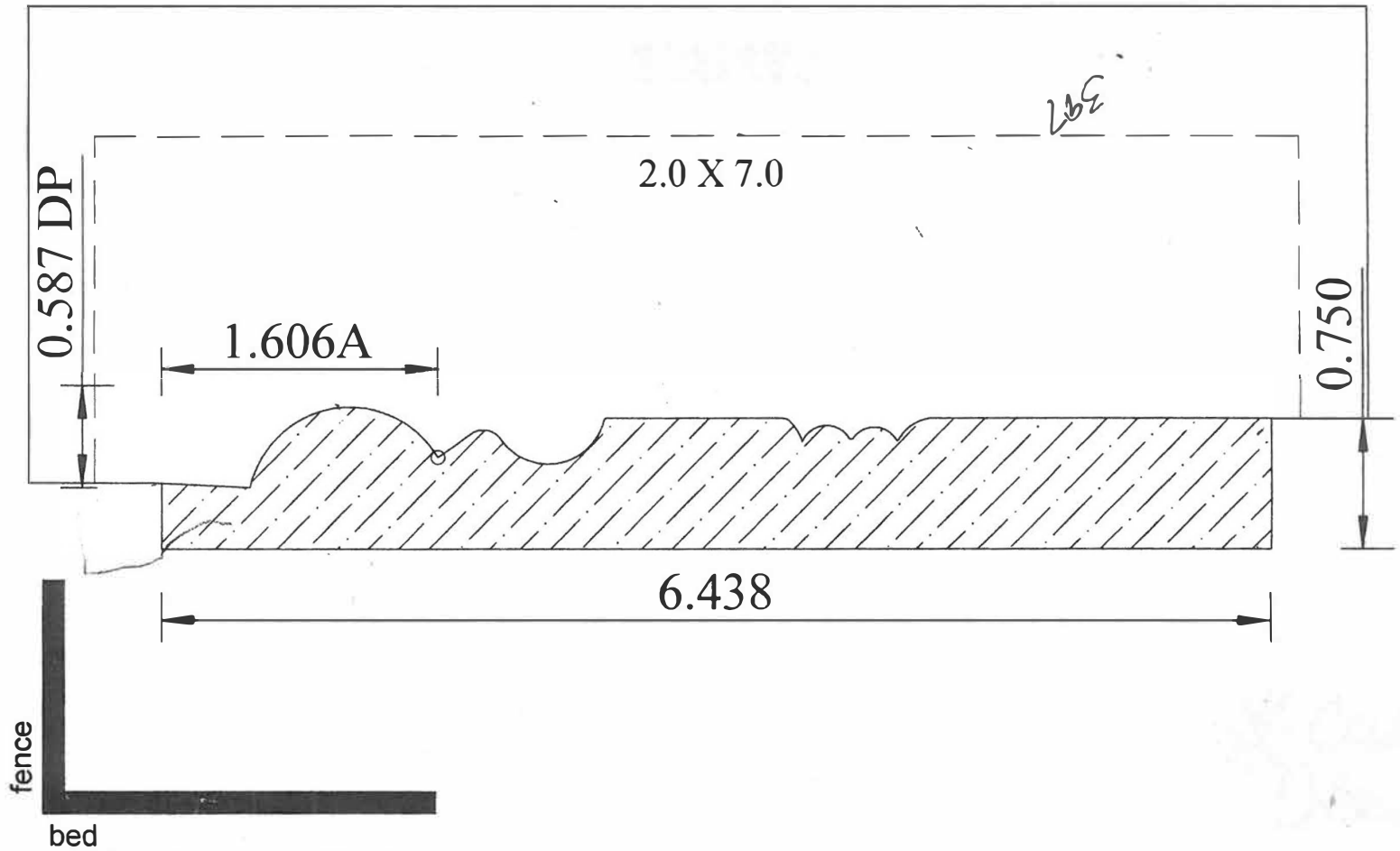
H-75



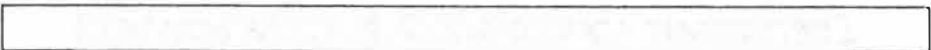
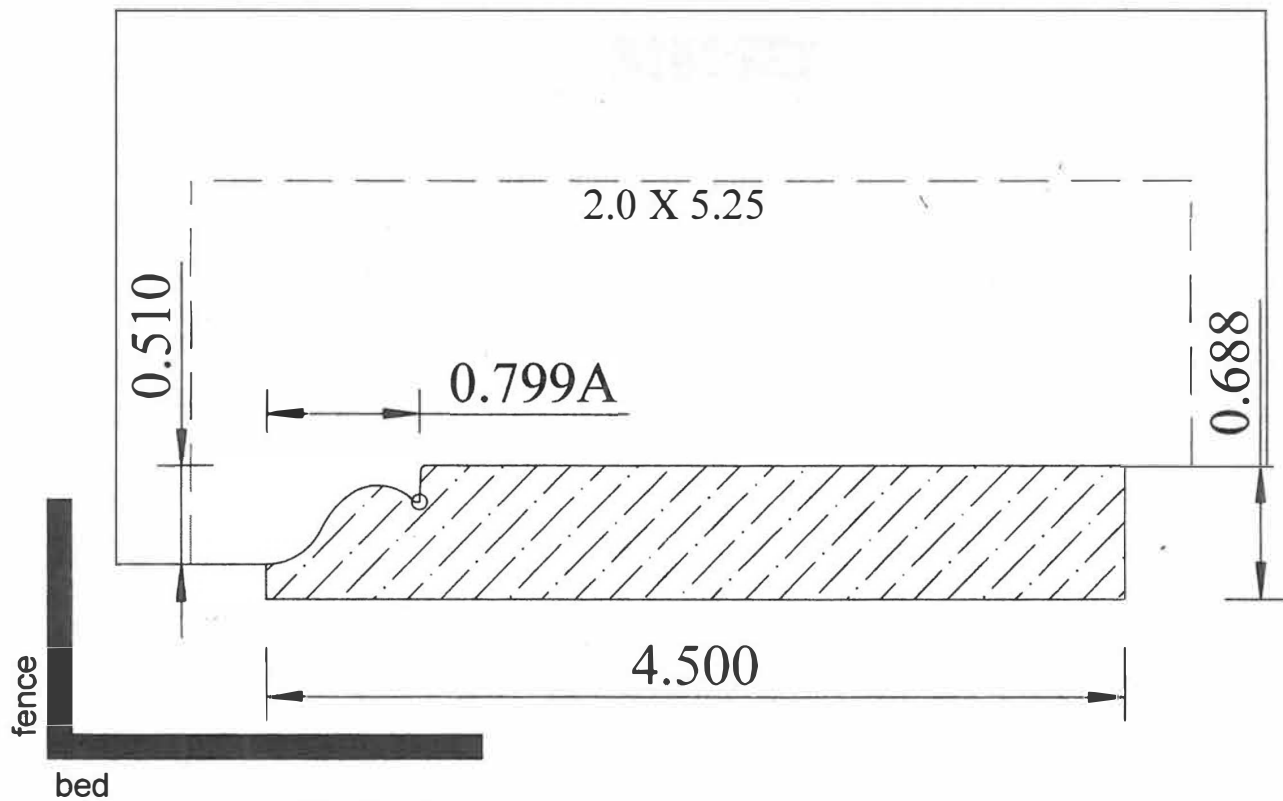
H-84



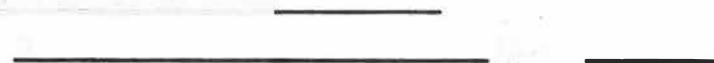
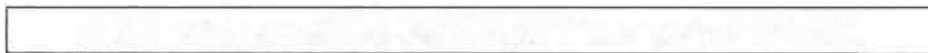
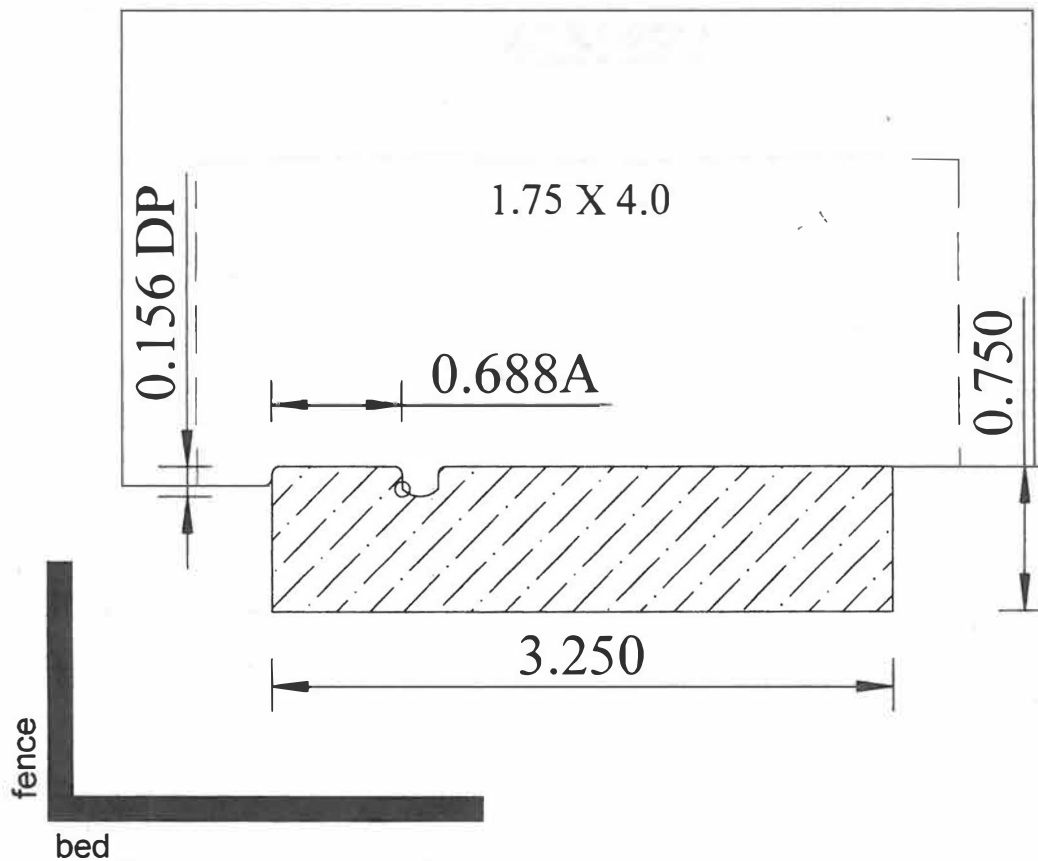
H-86



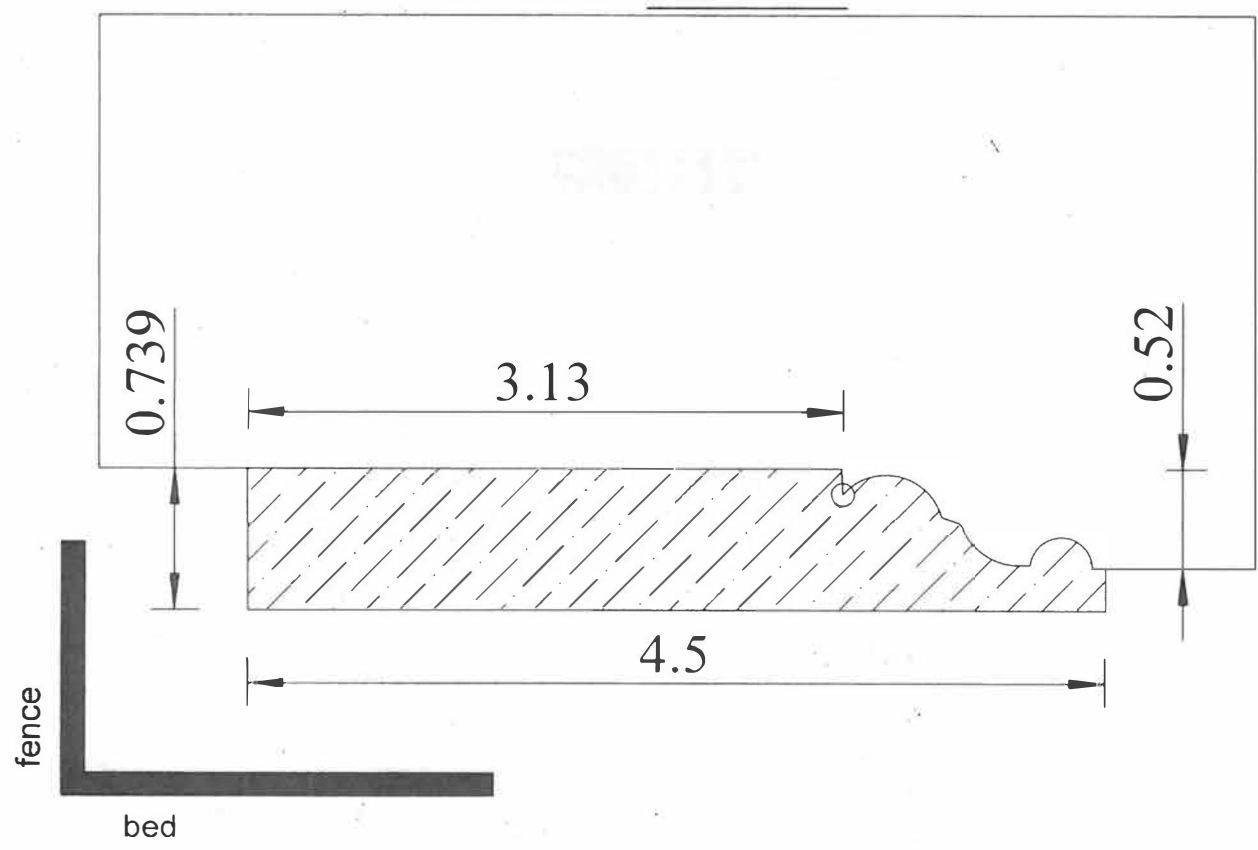
H-88



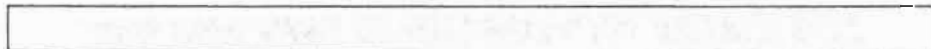
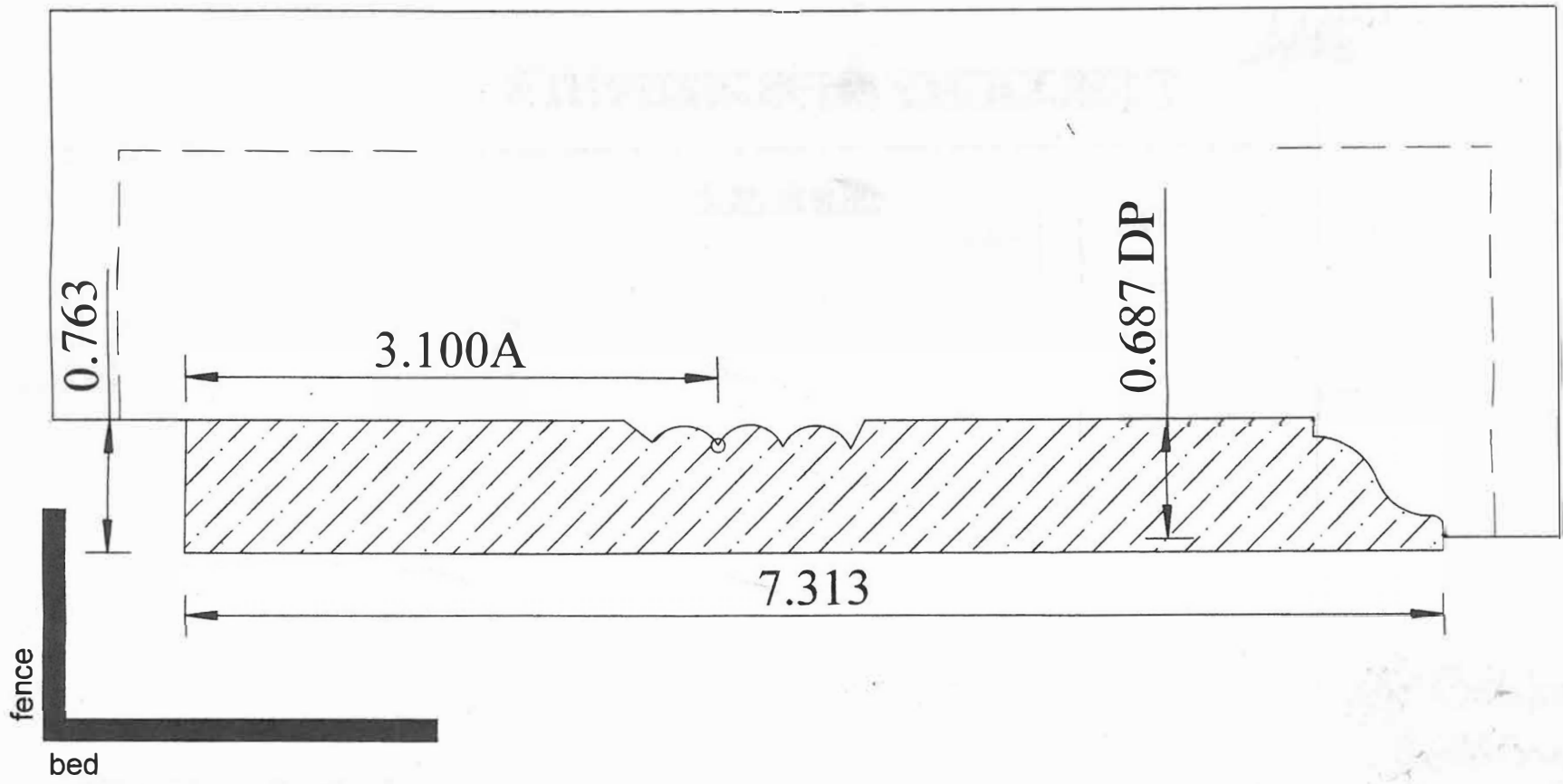
H-93



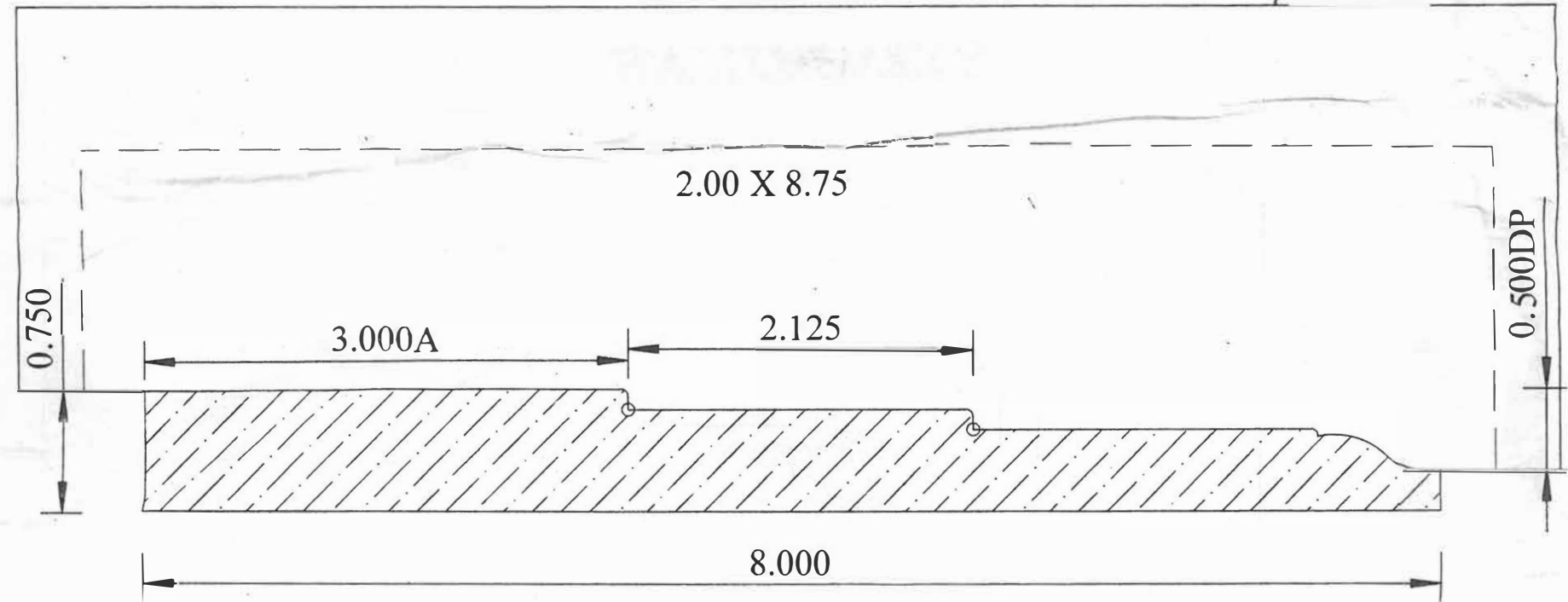
I-31



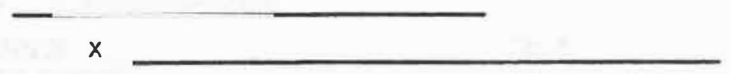
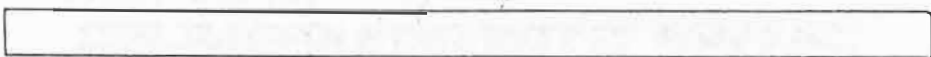
I-57



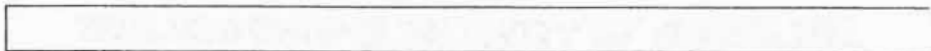
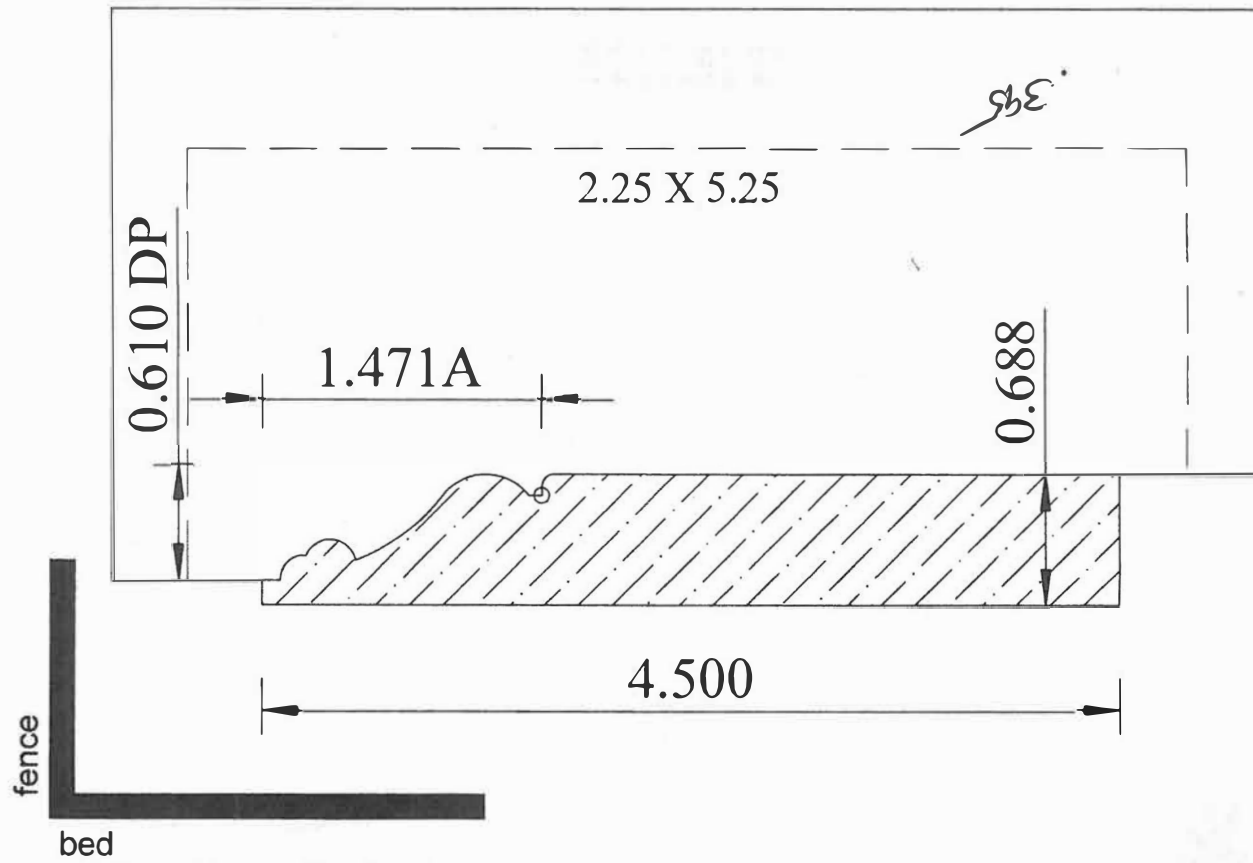
I-59



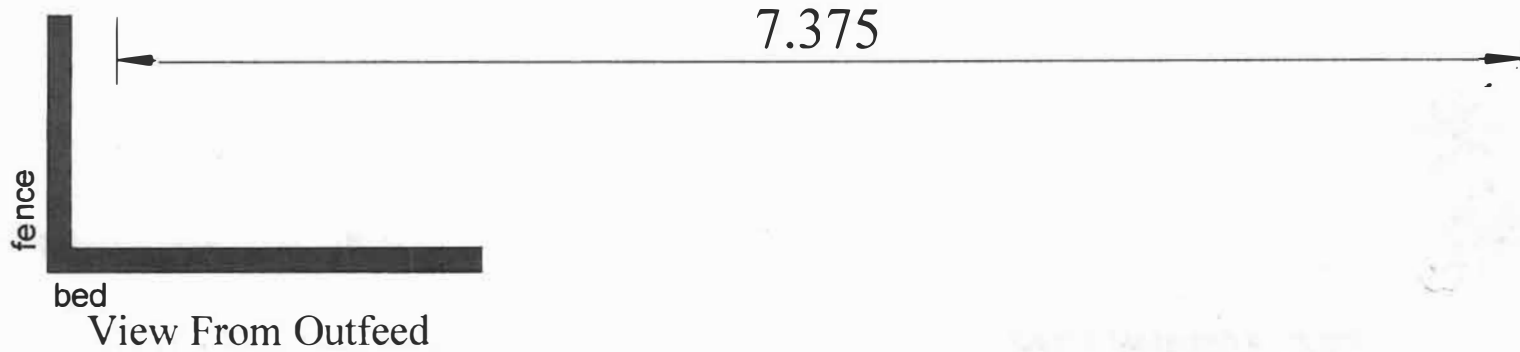
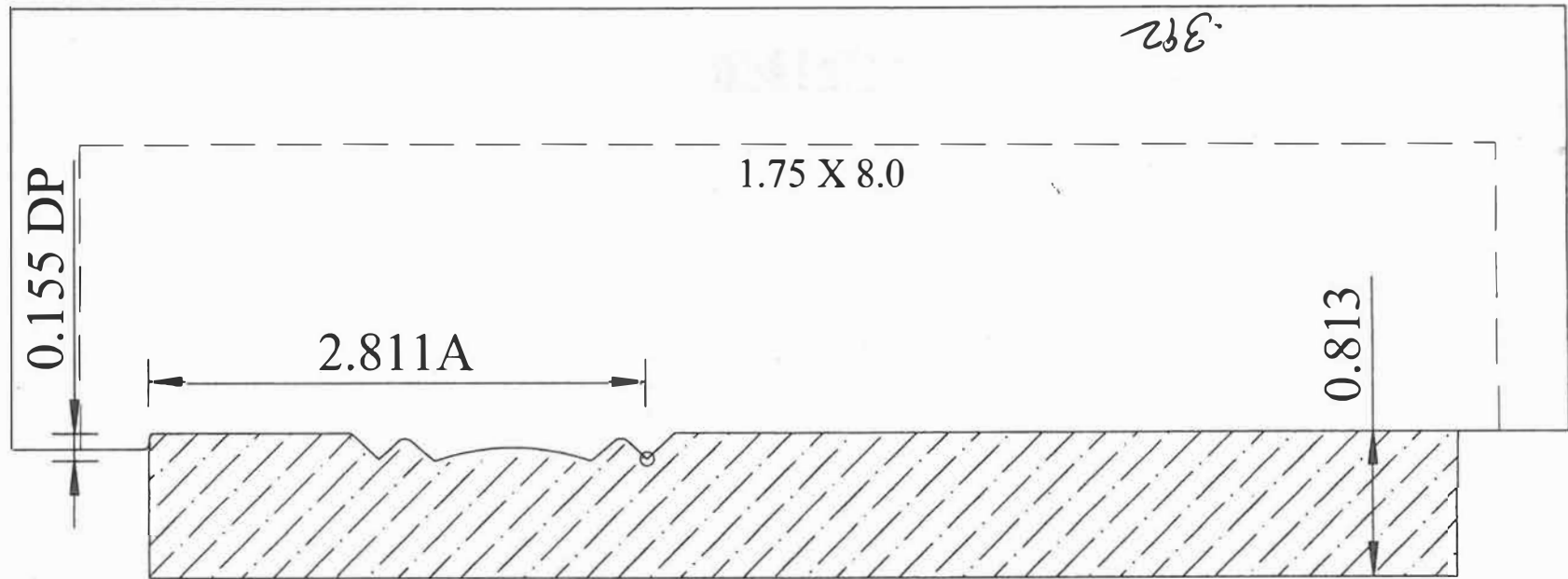
FENCE



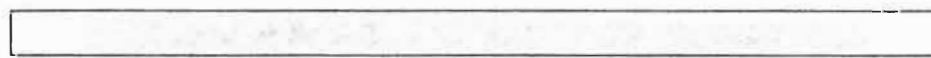
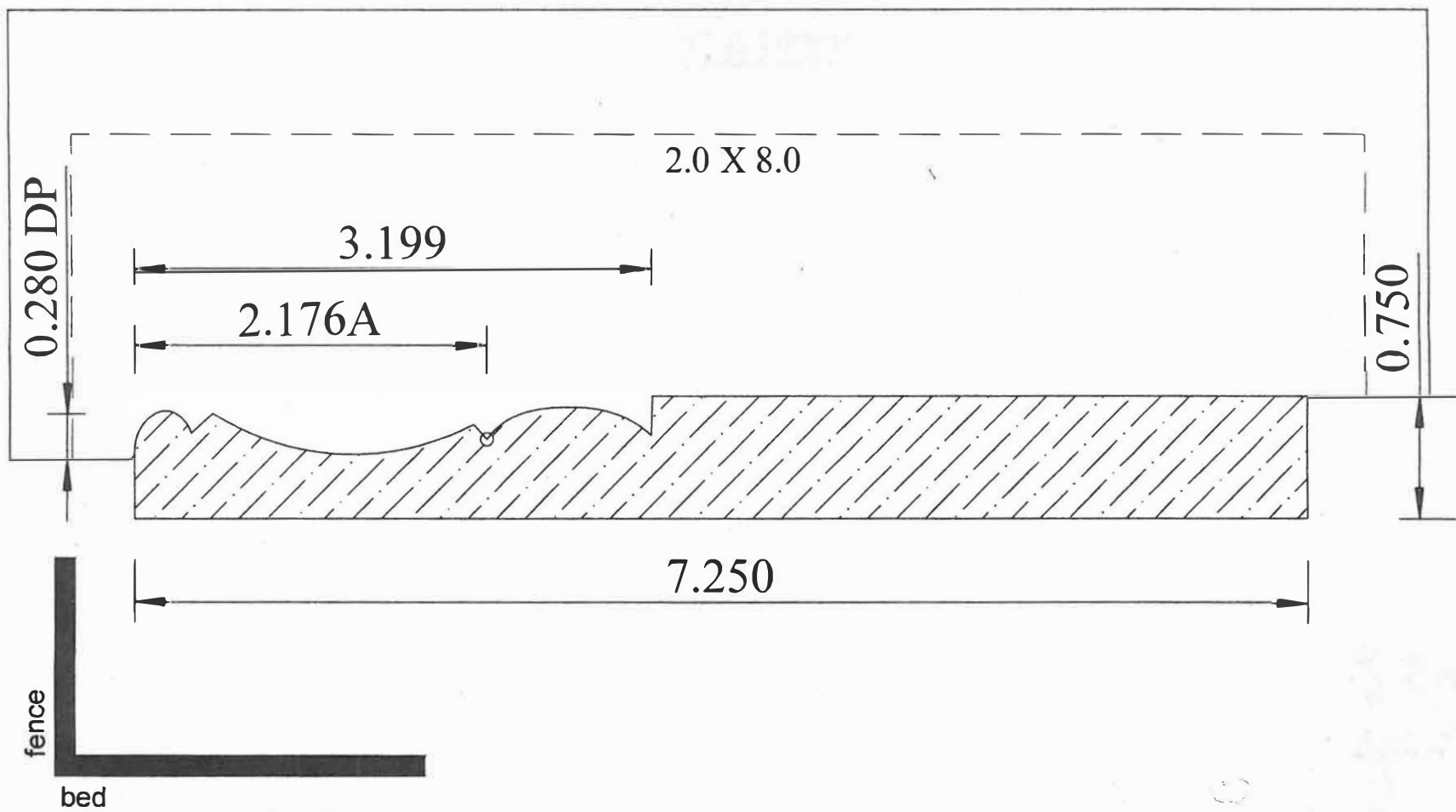
I-84



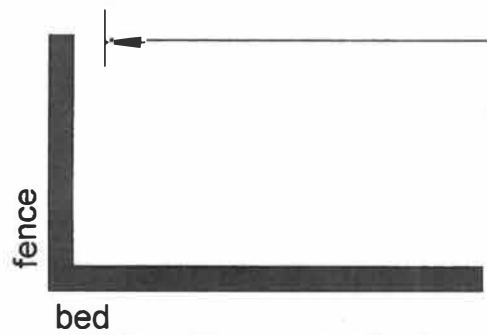
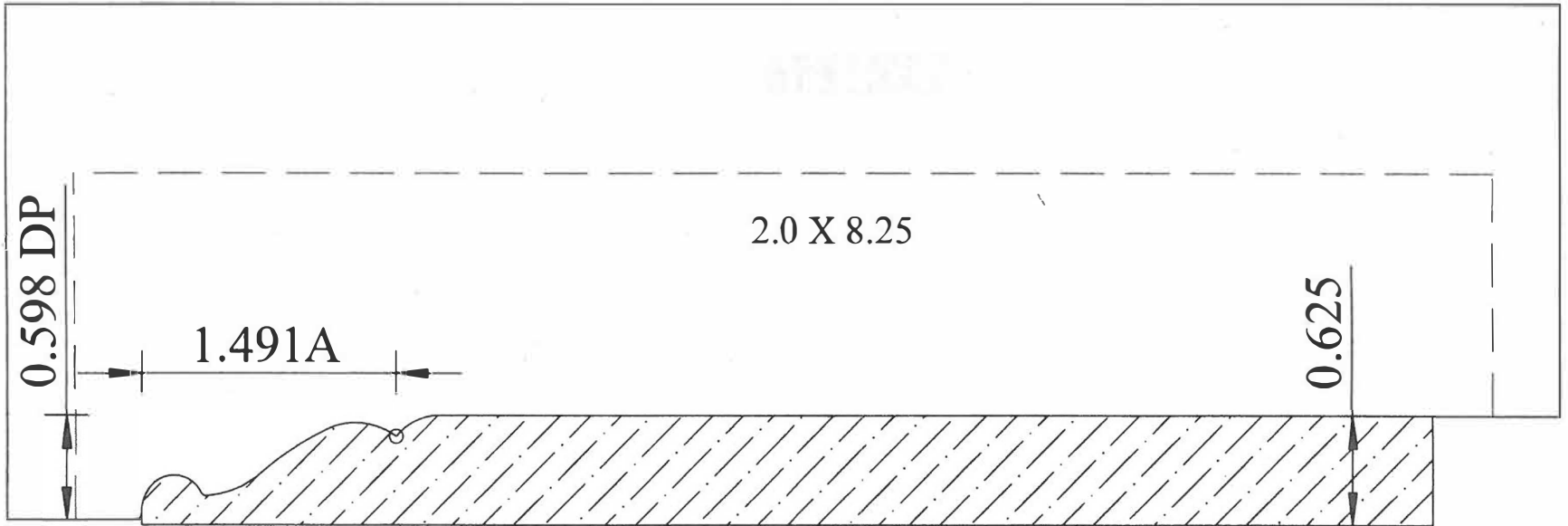
I-85



I-91



I-96



7.500



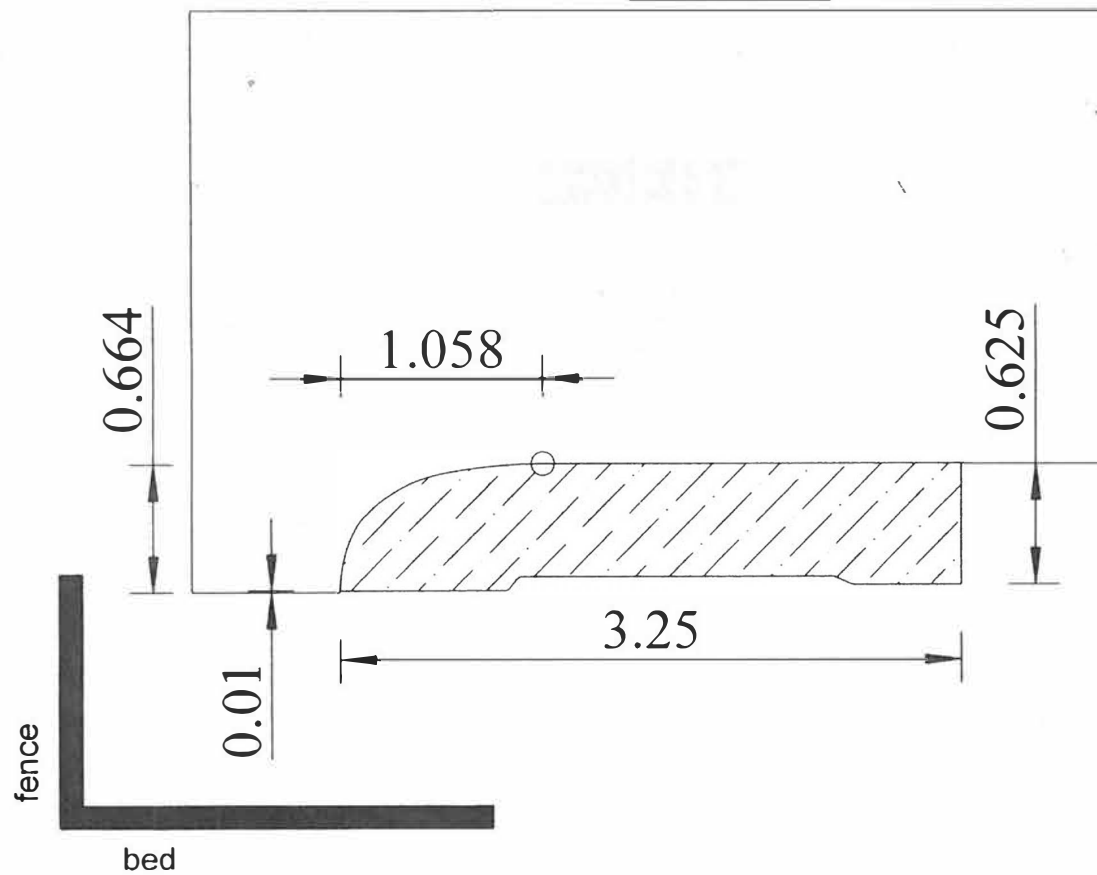


- EST 1938 -

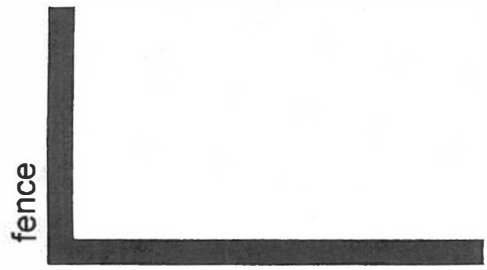
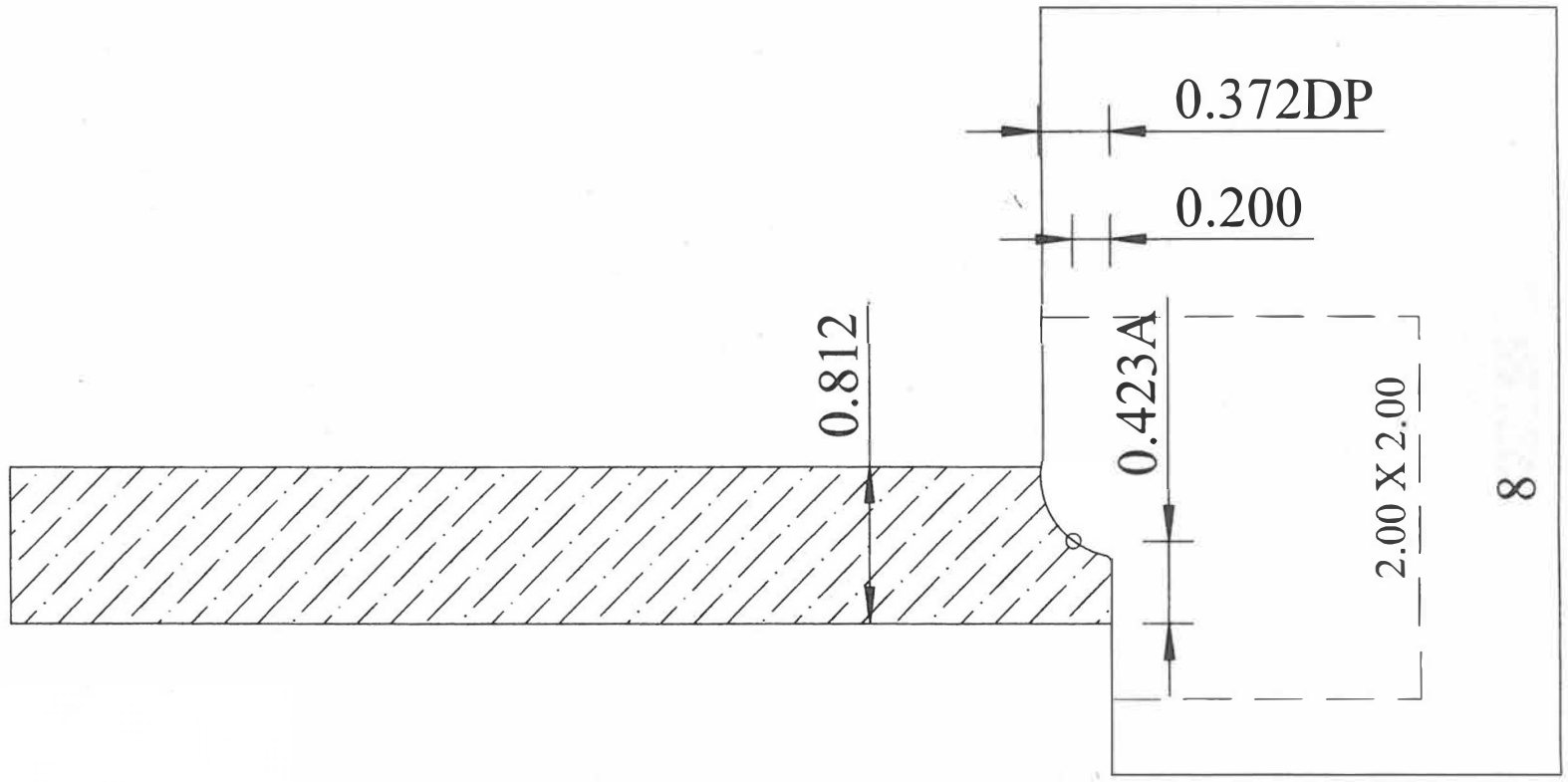
A. FILLINGER, INC.

MOULDING DIVISION

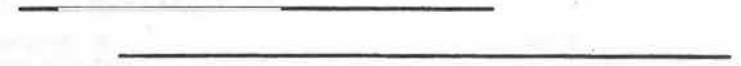
J-36



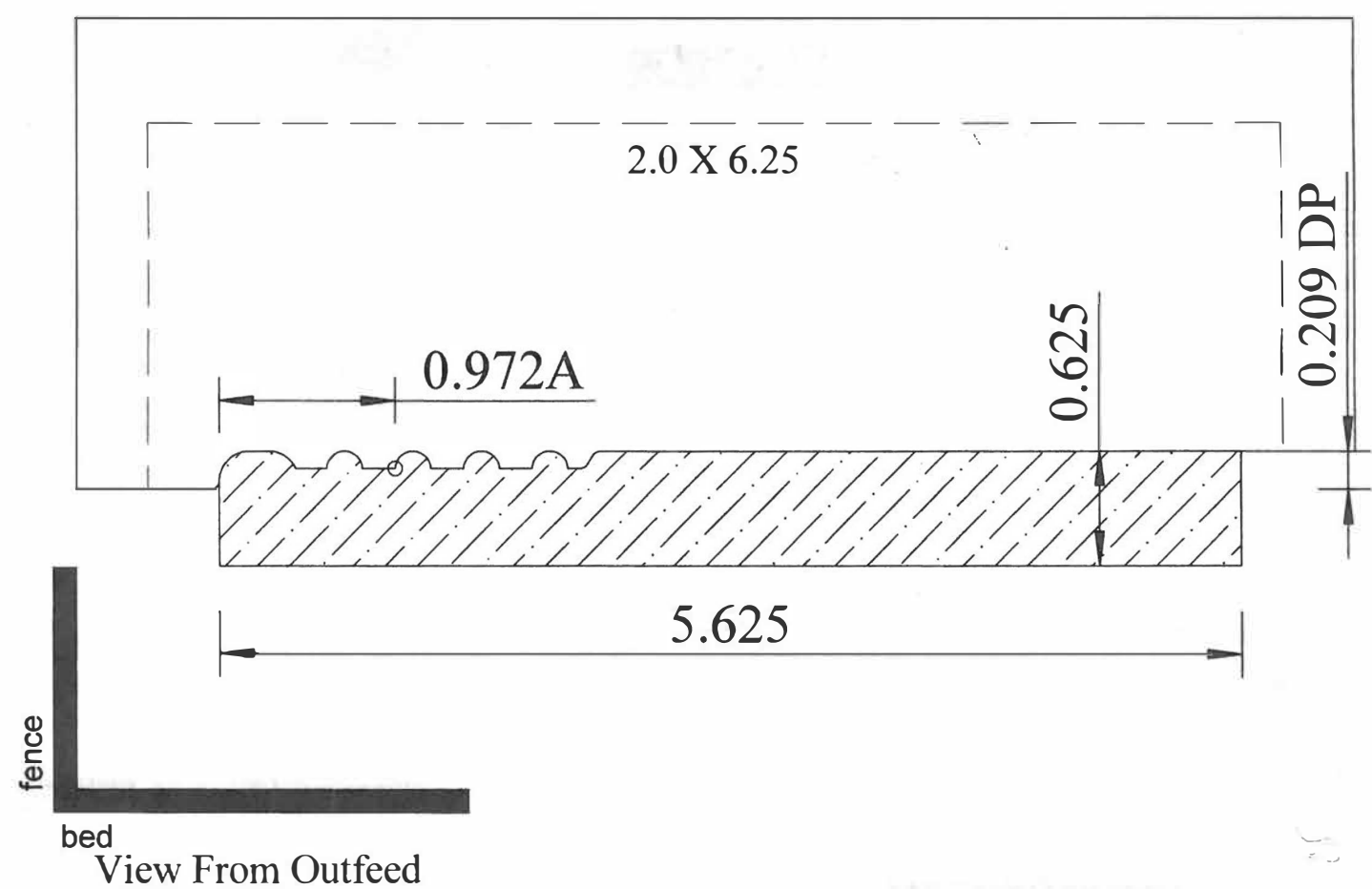
J-72



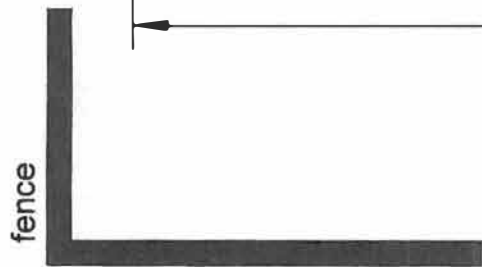
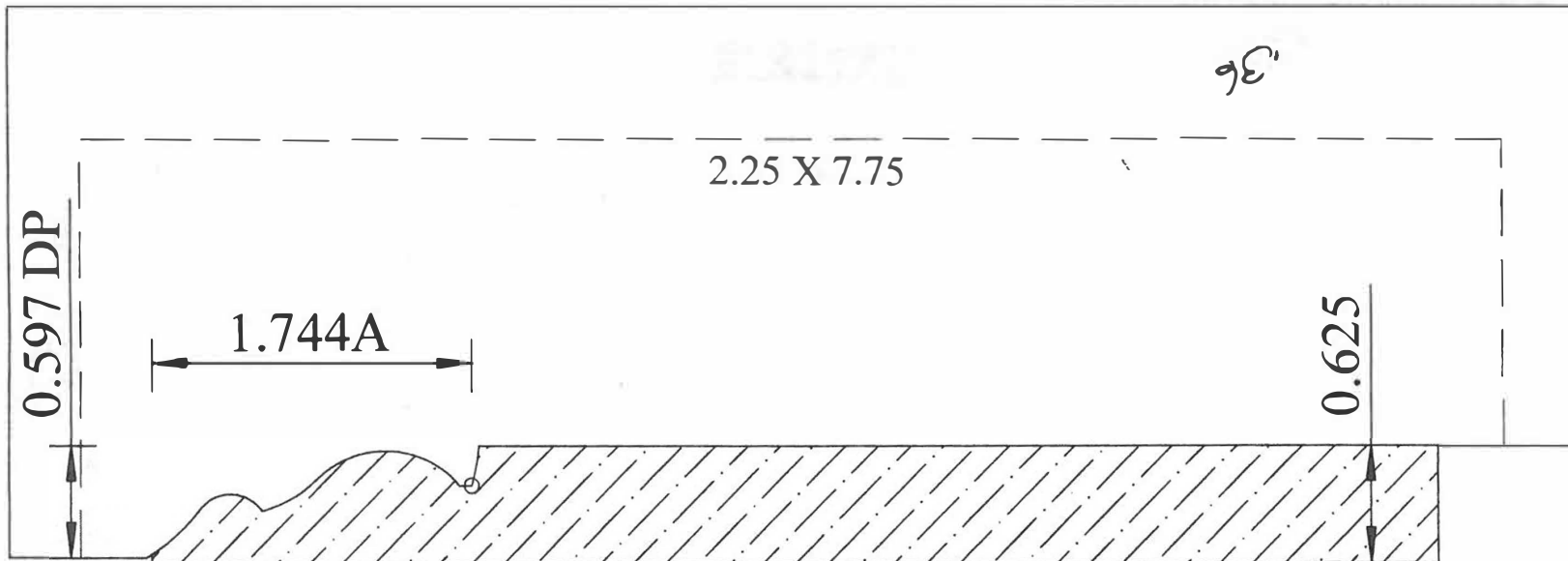
View From Outfeed



J-83



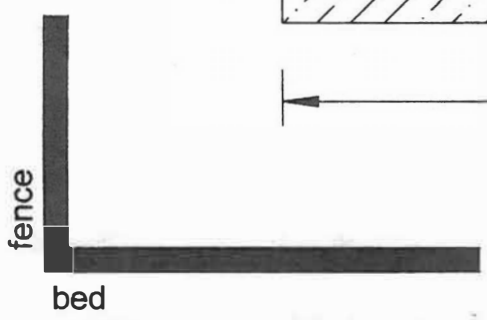
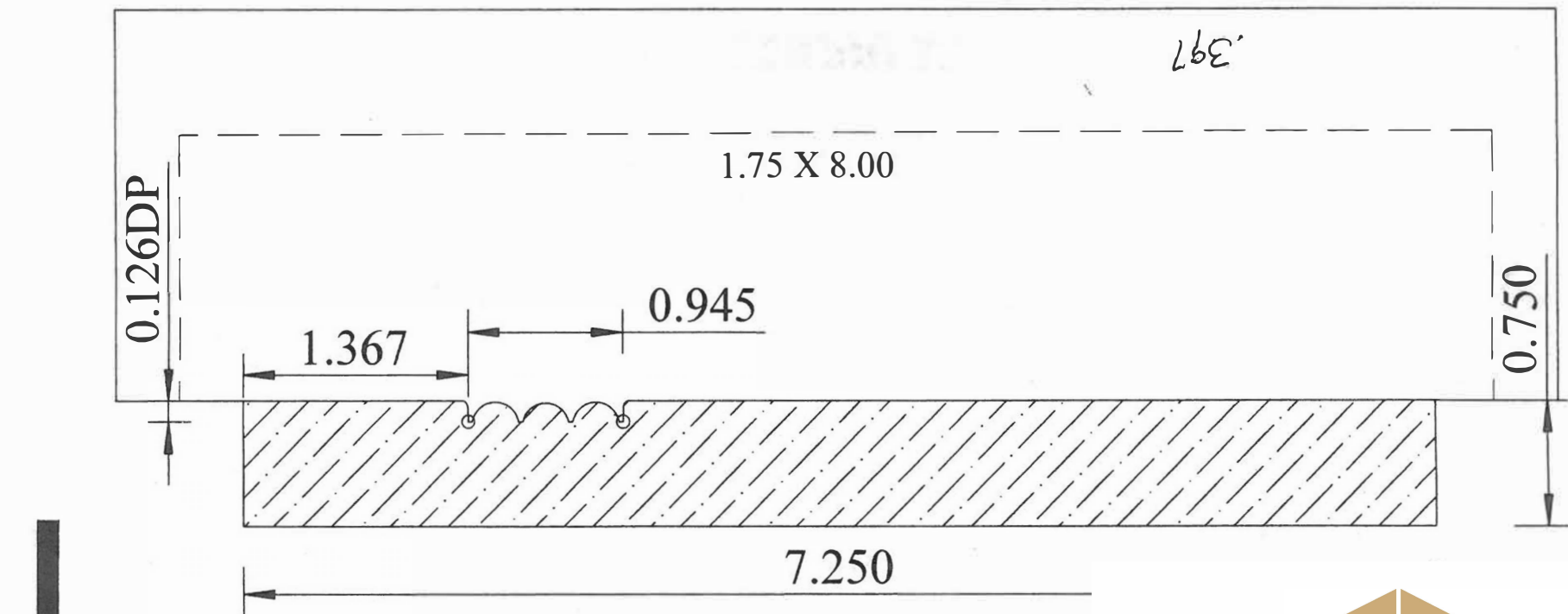
J-86



View From Outfeed

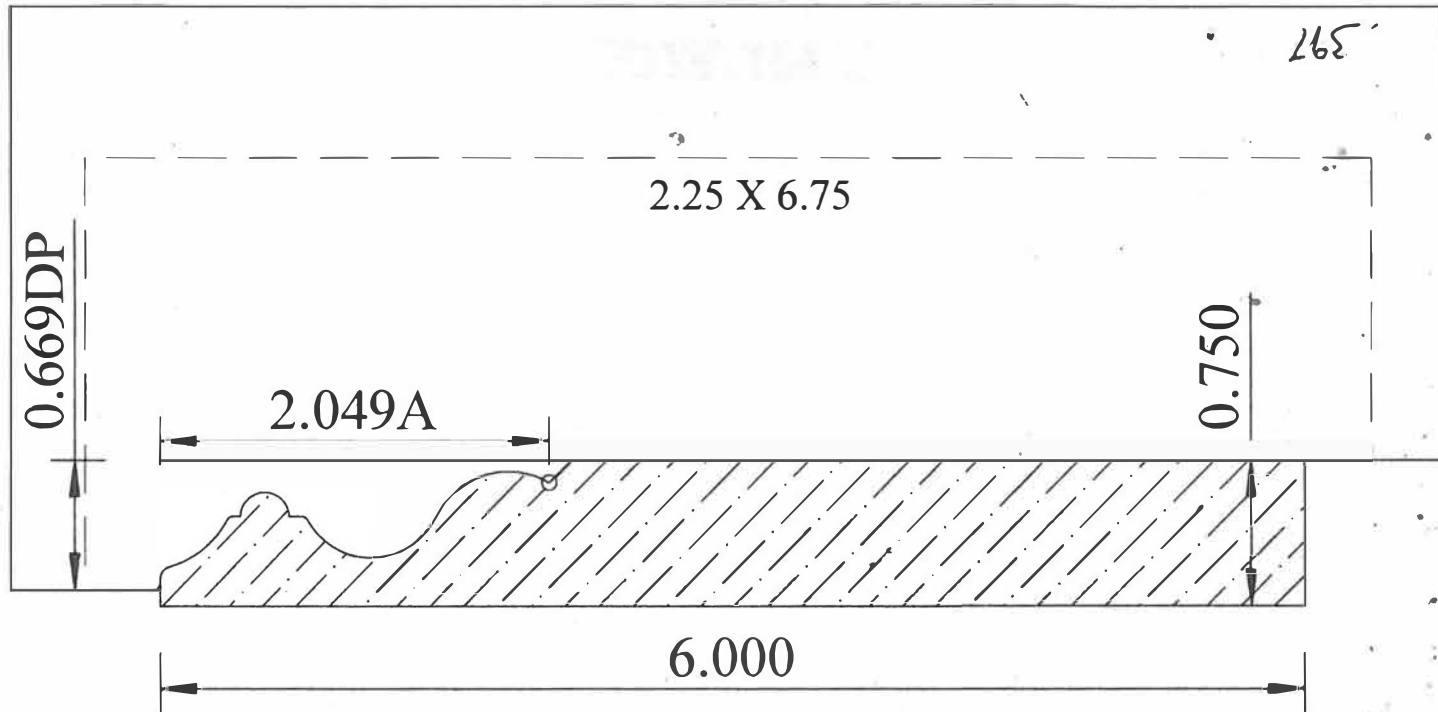


J-87

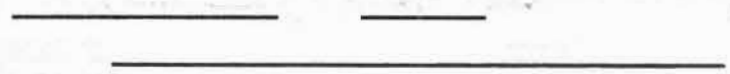
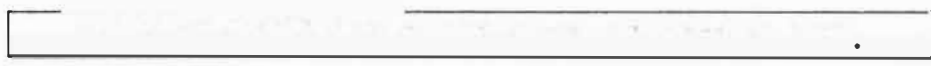
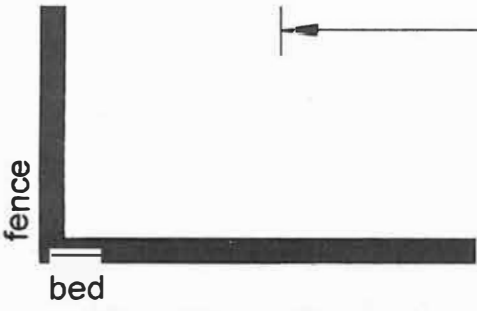
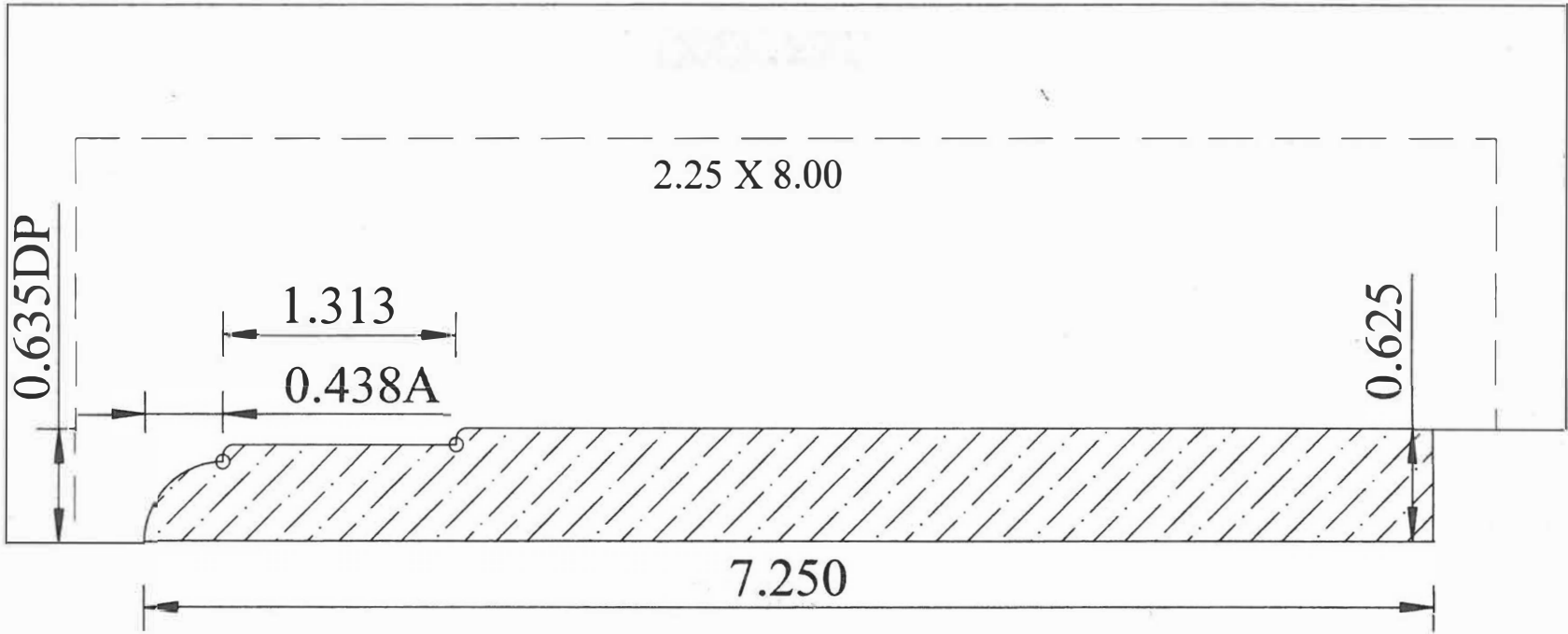


- EST 1938 -
A. FILLINGER, INC.
MOULDING DIVISION

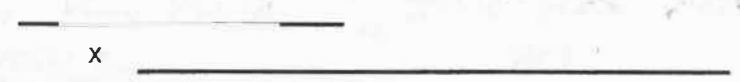
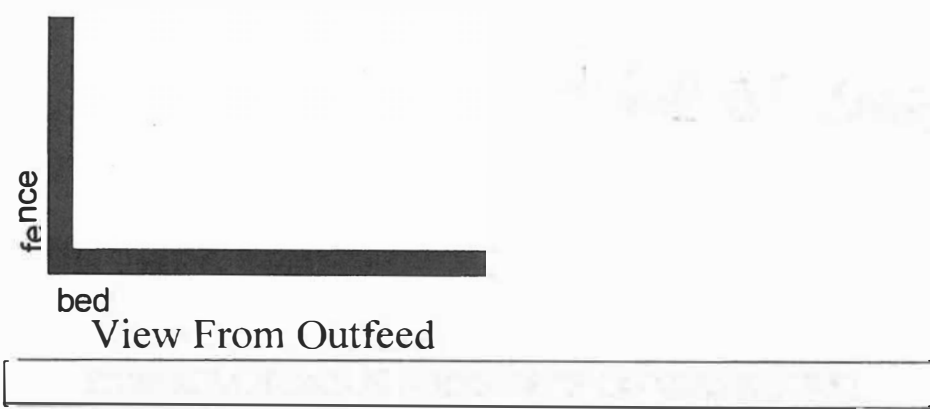
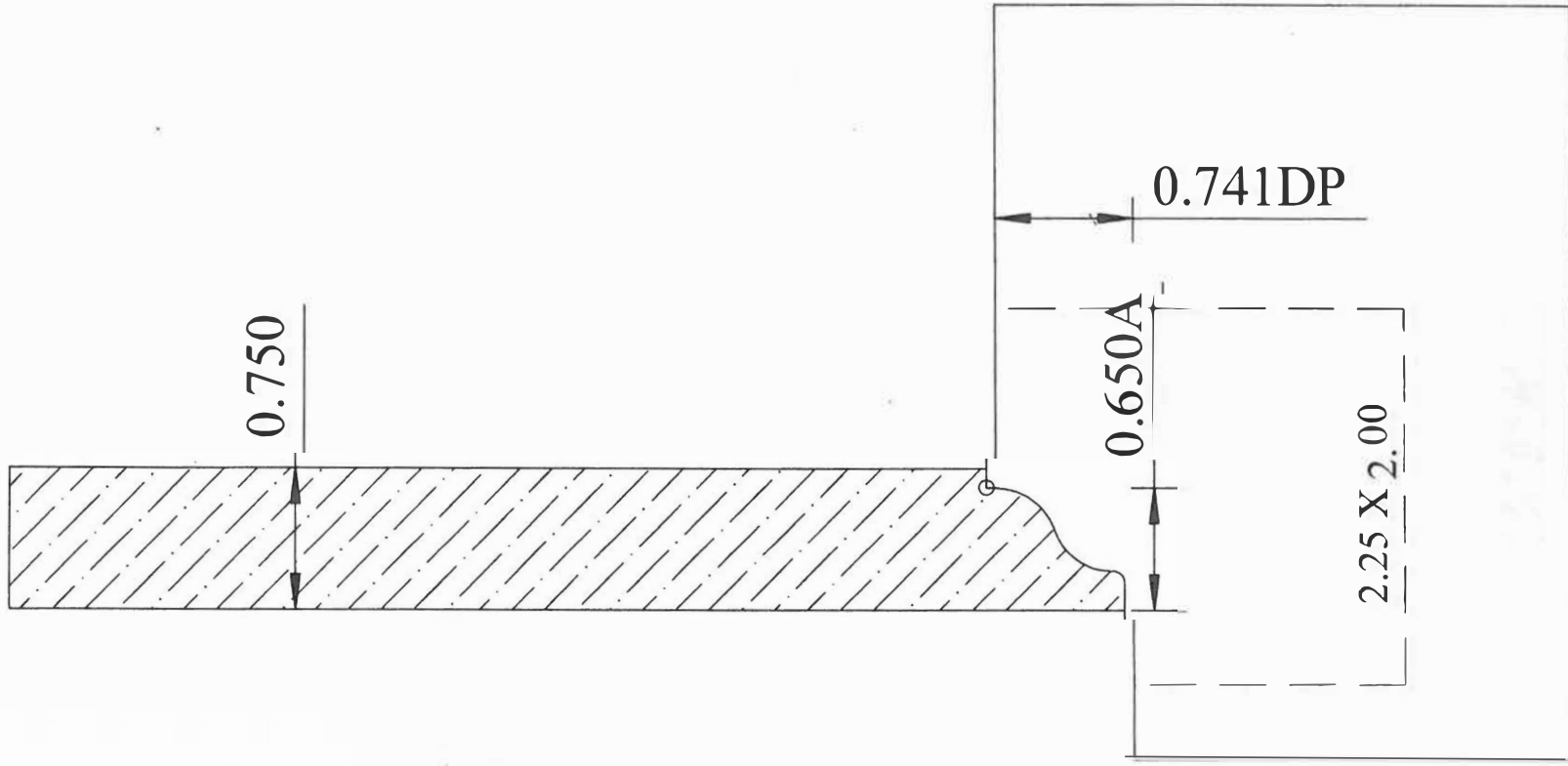
J-90



K-86



L-63



O-28

