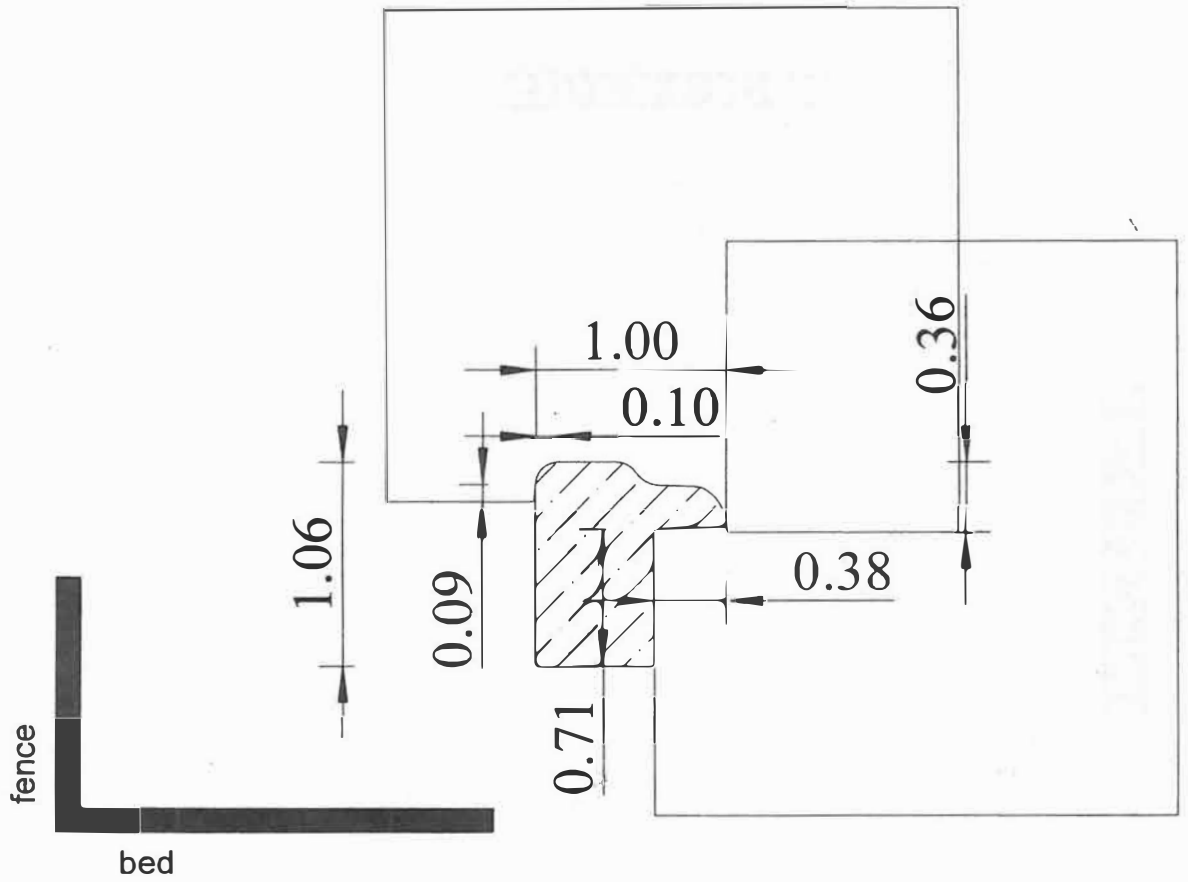
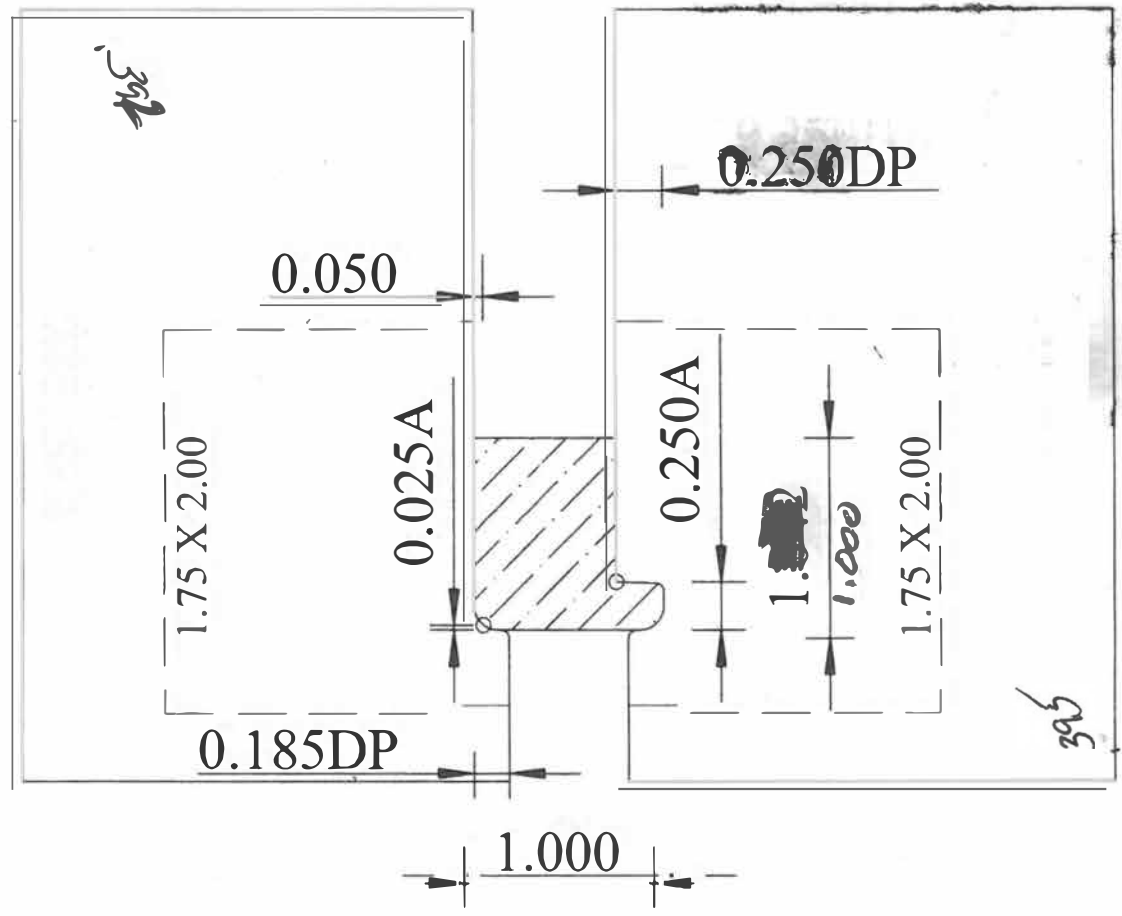


A-64




A-79

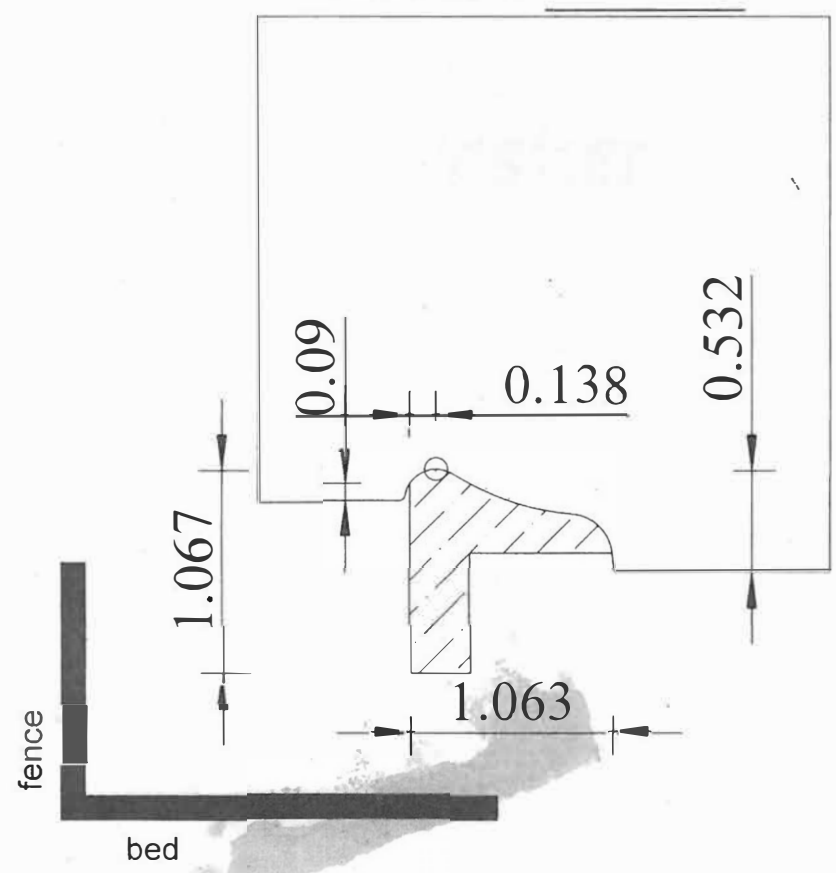
A-94



fence

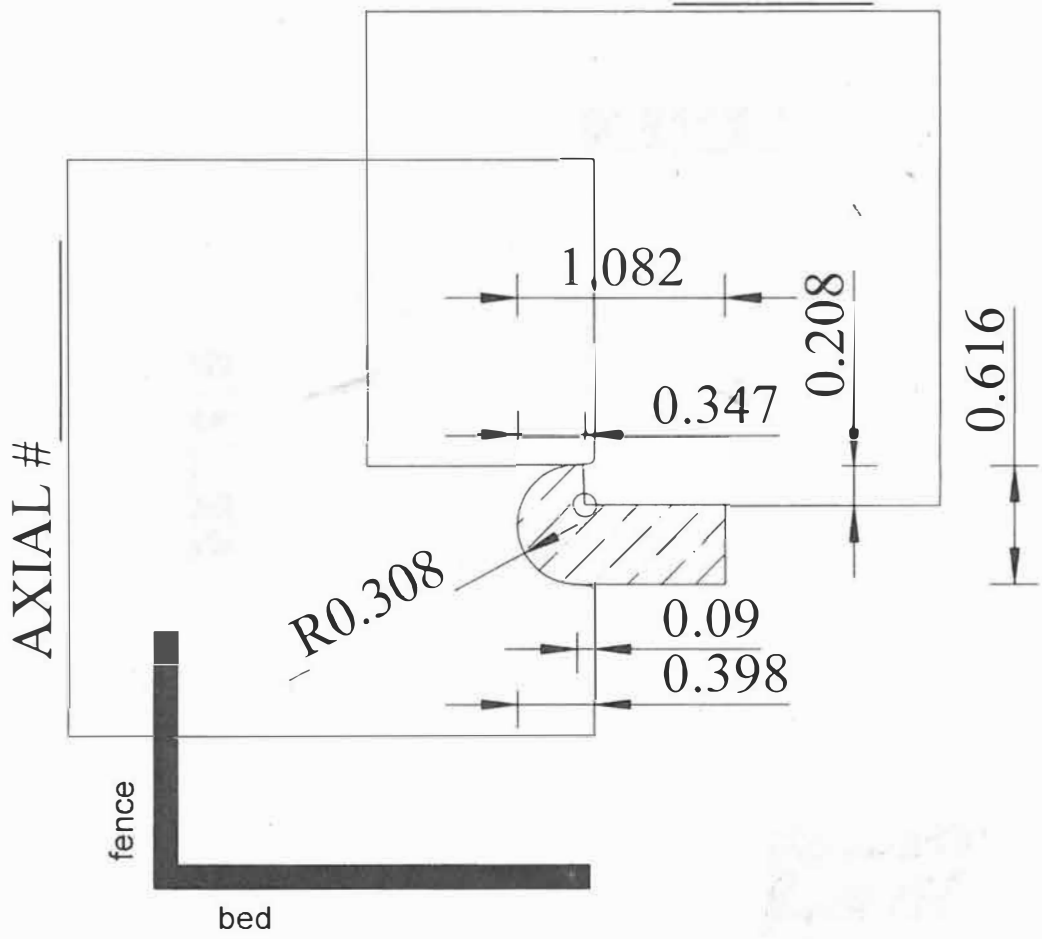
	12/12/2014	12/12/2014
12/12/2014	12/12/2014	12/12/2014
12/12/2014	12/12/2014	12/12/2014

Grid  
B65

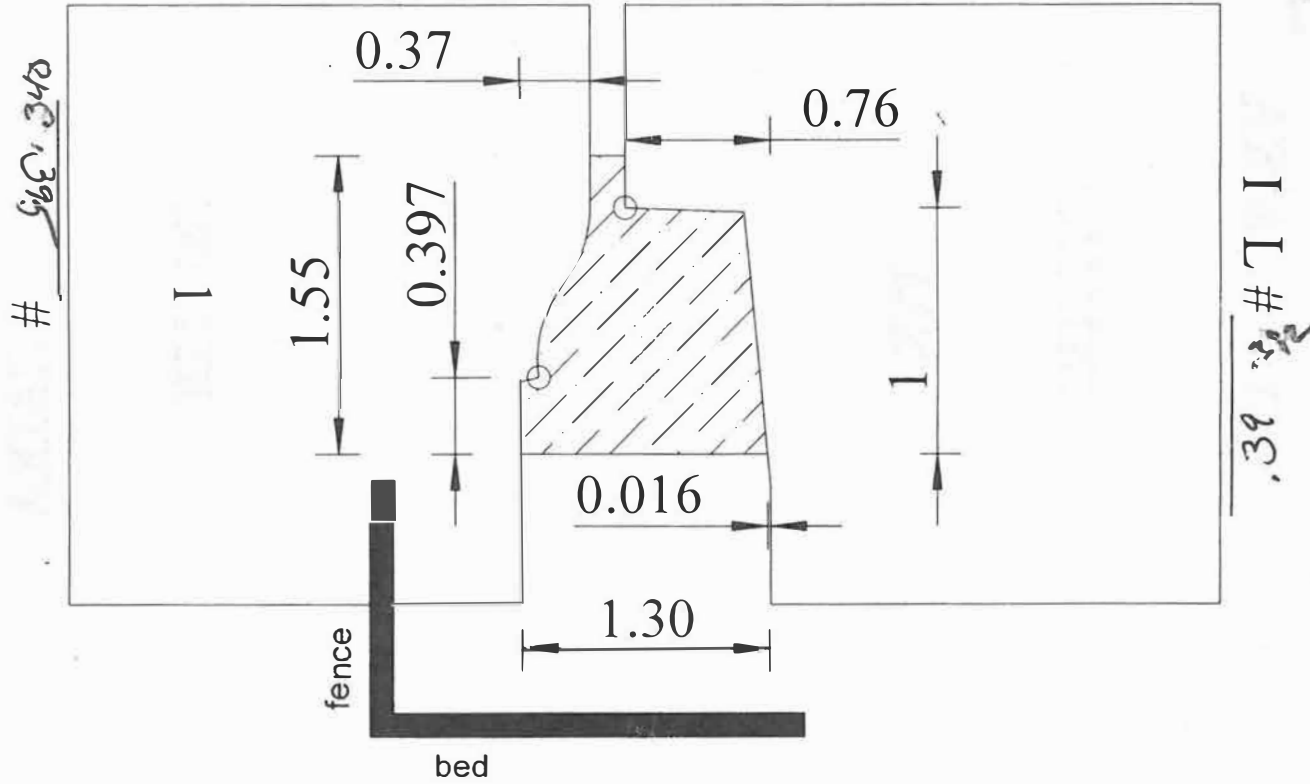


13/8,  
13/8

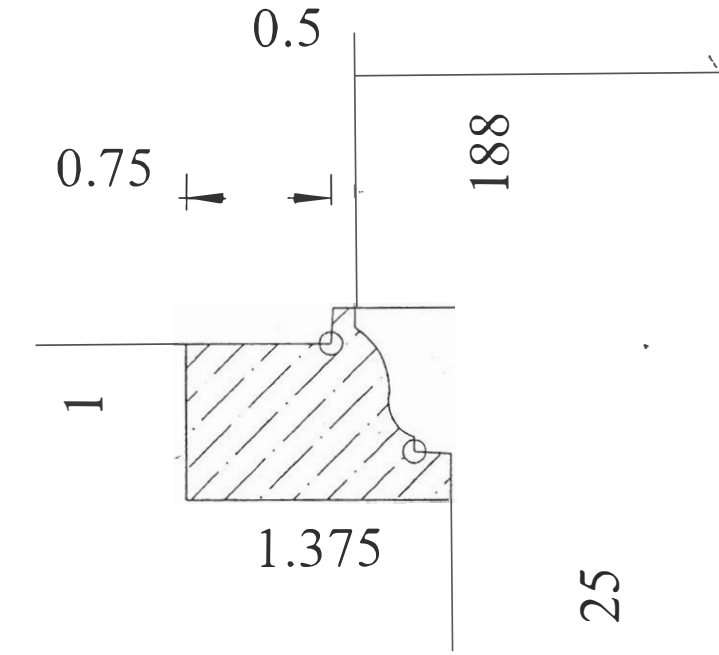

B-76



x




C-5



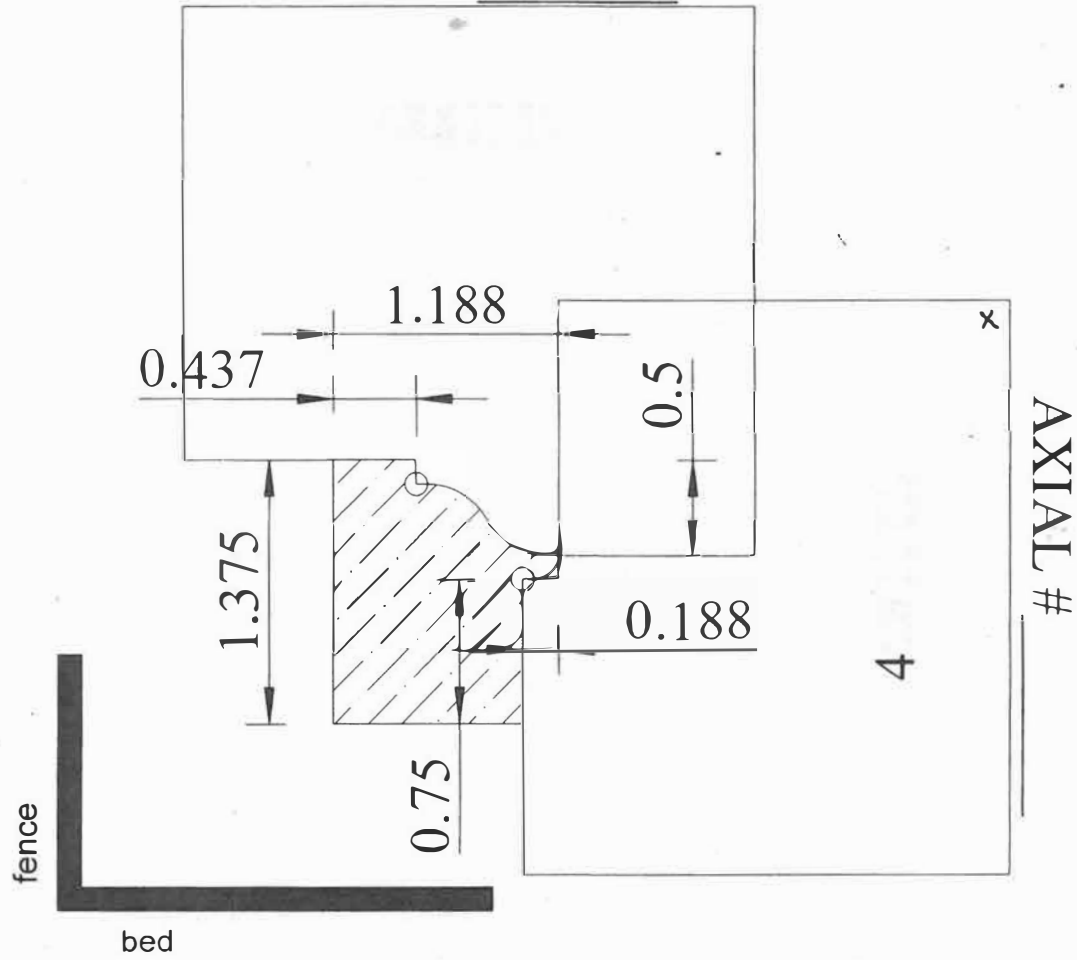
GRID # C63

AXIAL # \_\_\_\_\_



C-73

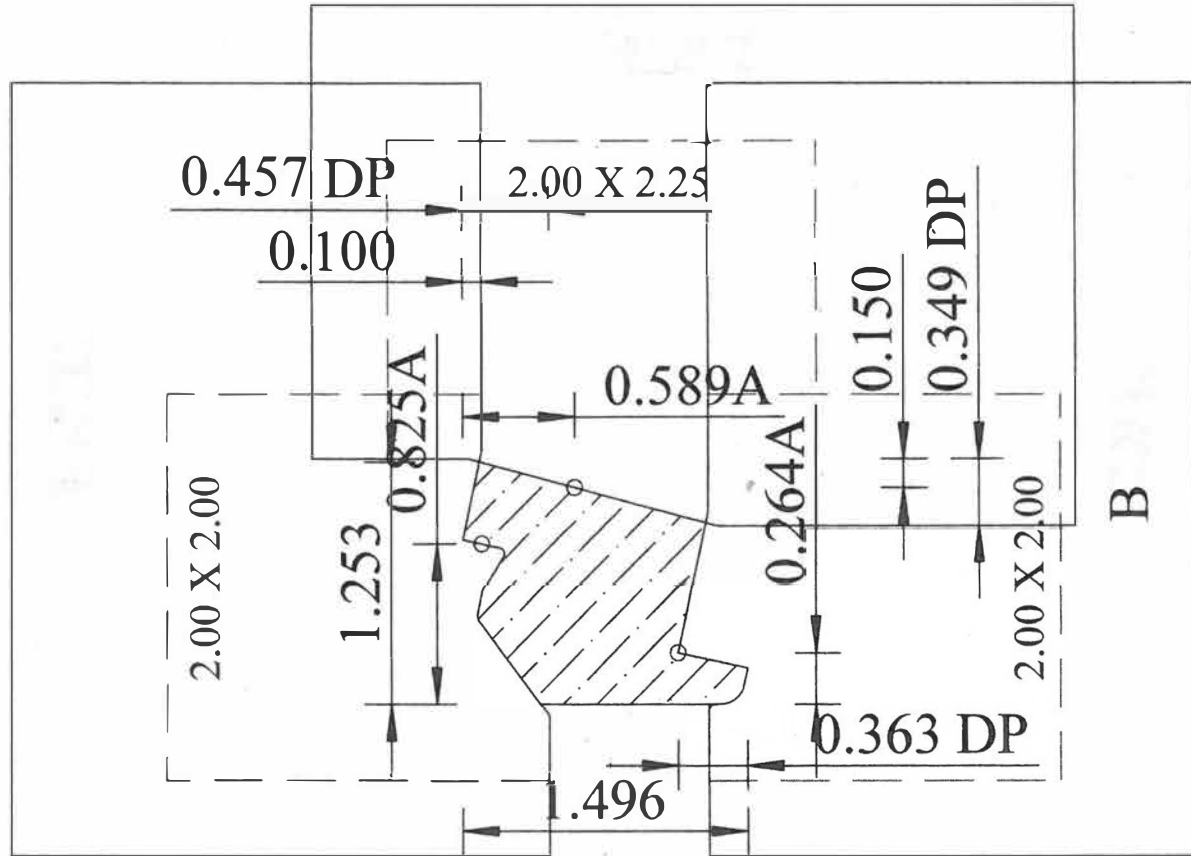
	0.2775	0.000
0.000	0.000	0.000
0.000	0.000	0.000





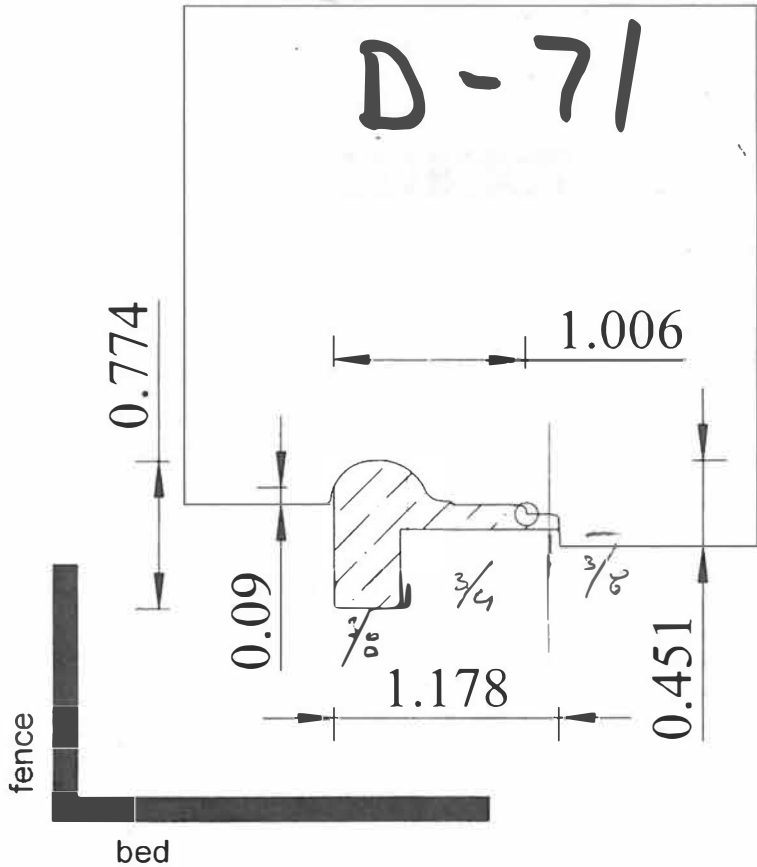
D-59

fence  
bed

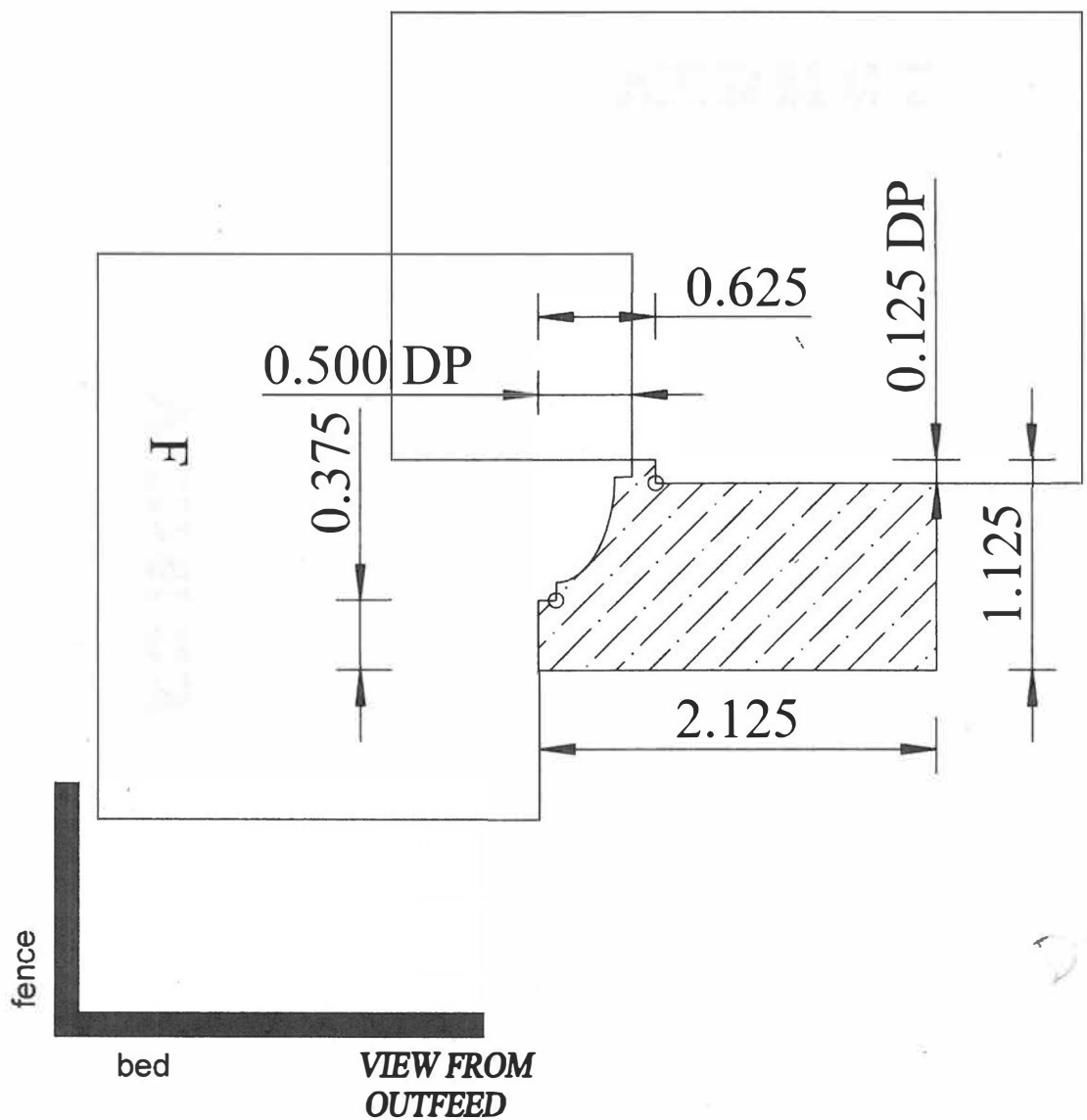



D-71

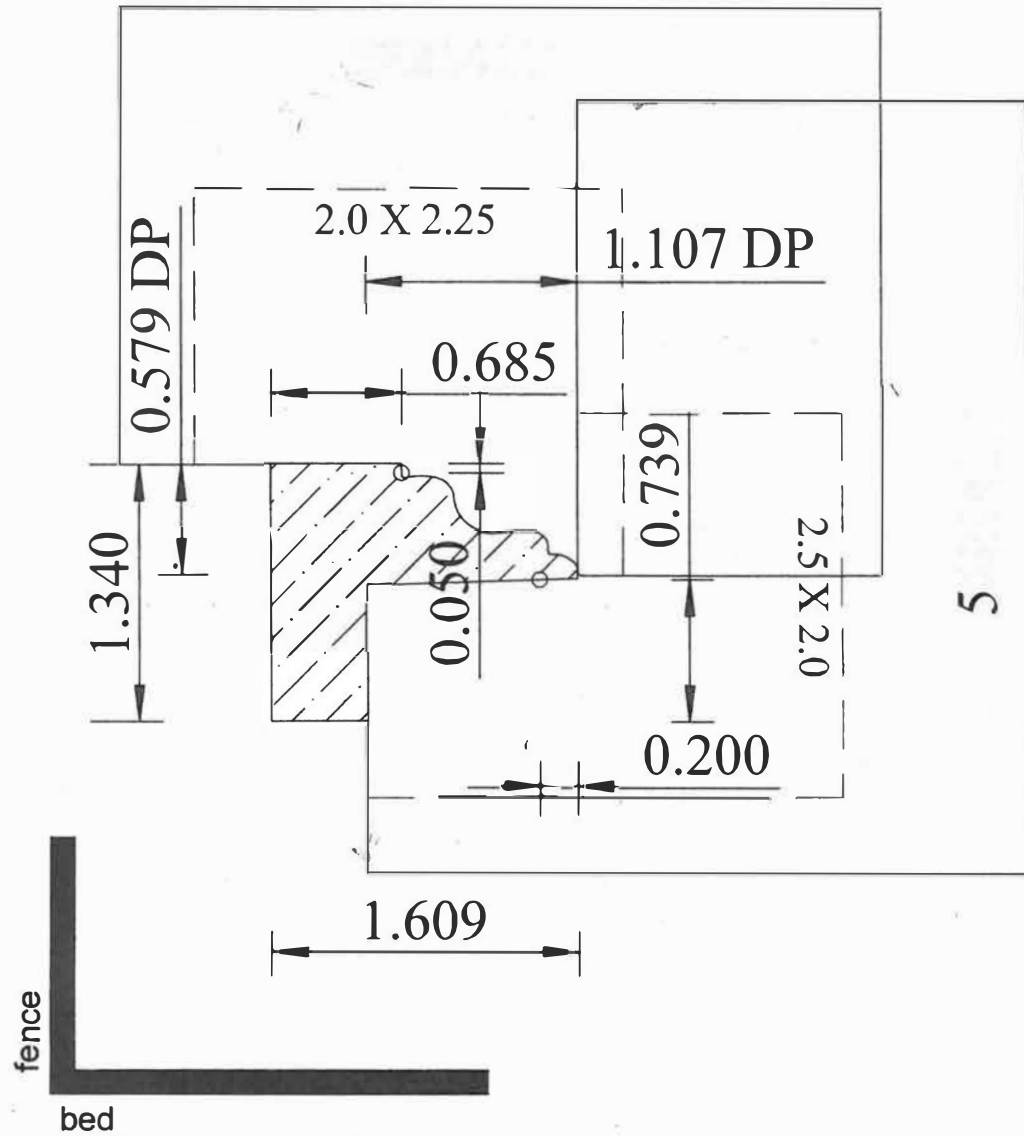
AXIAL # \_\_\_\_\_



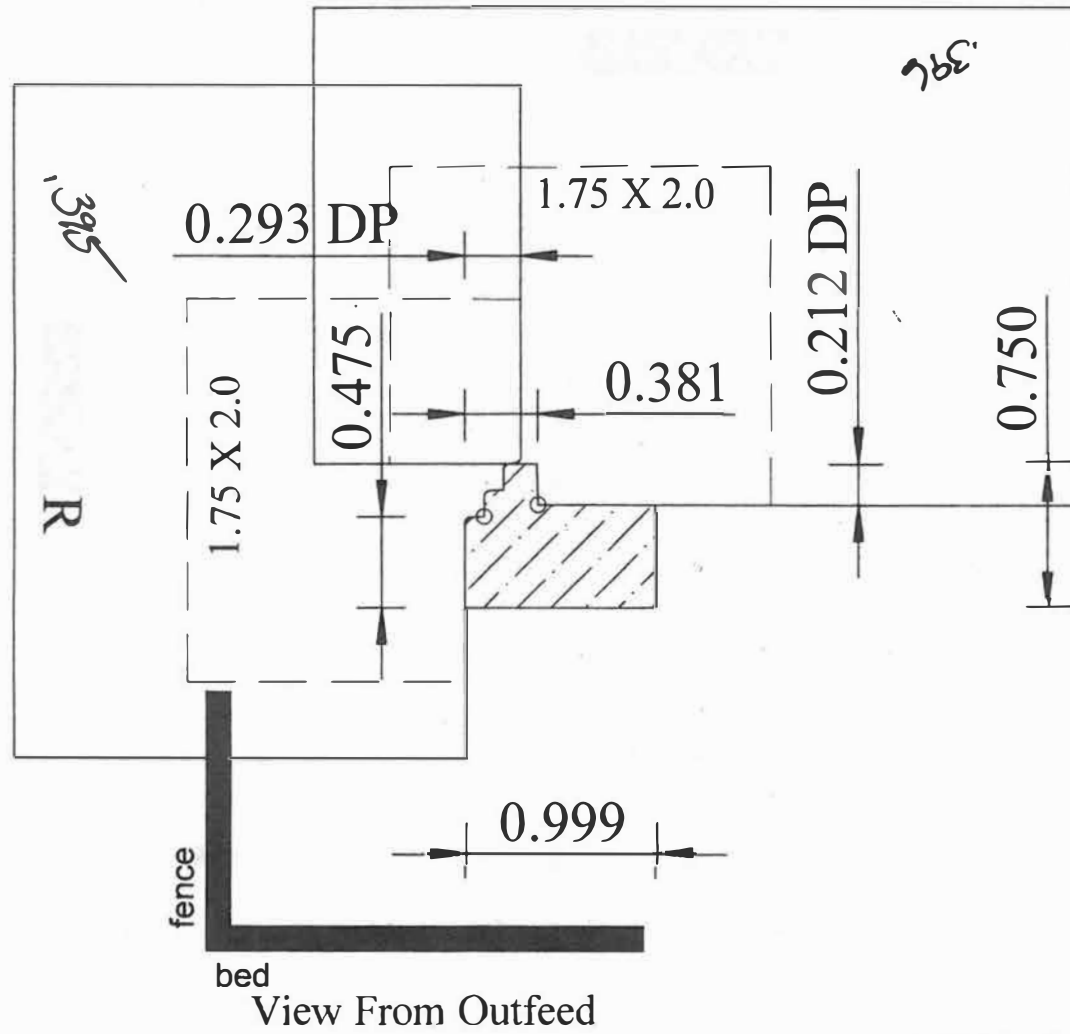
D-81



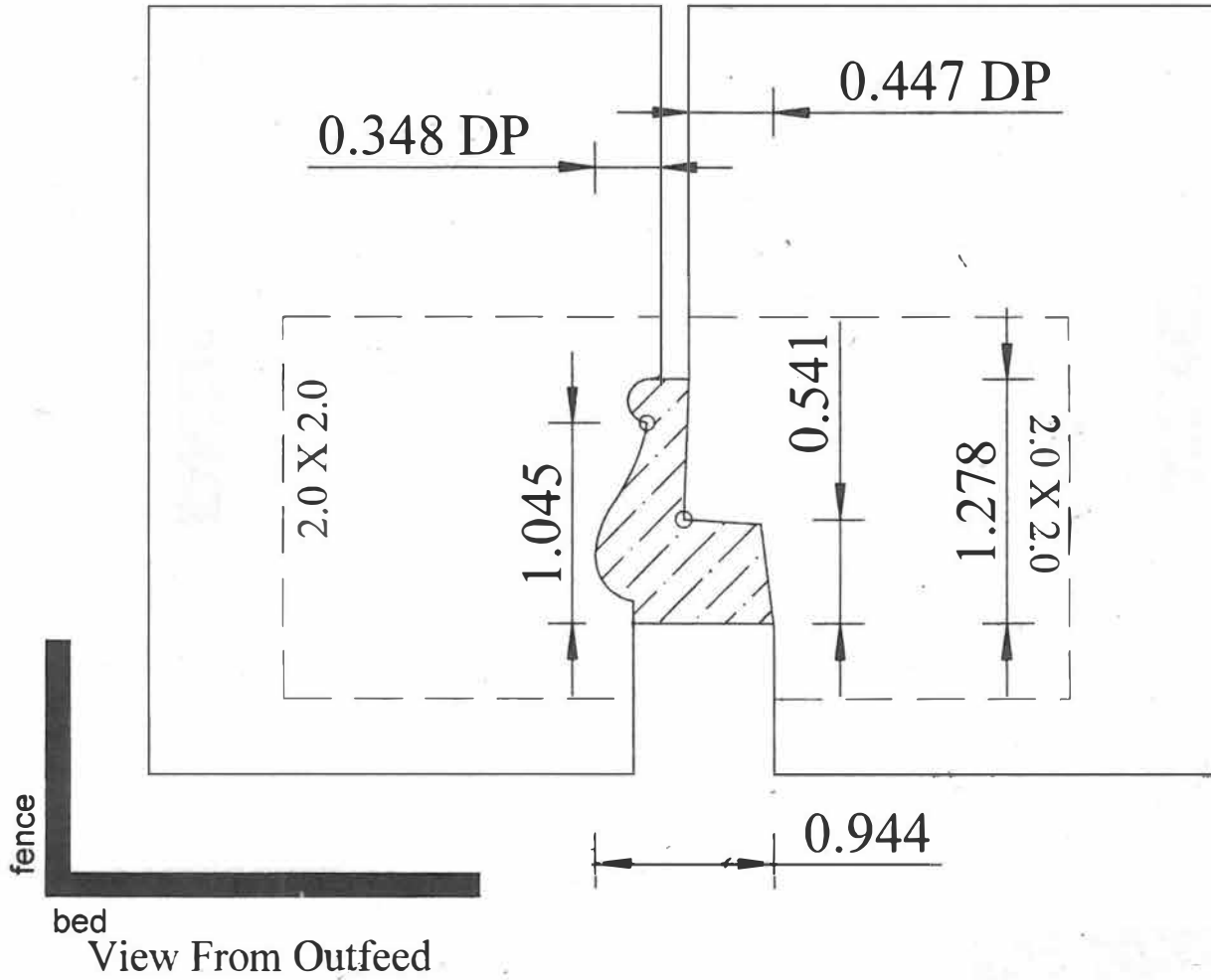
E-91



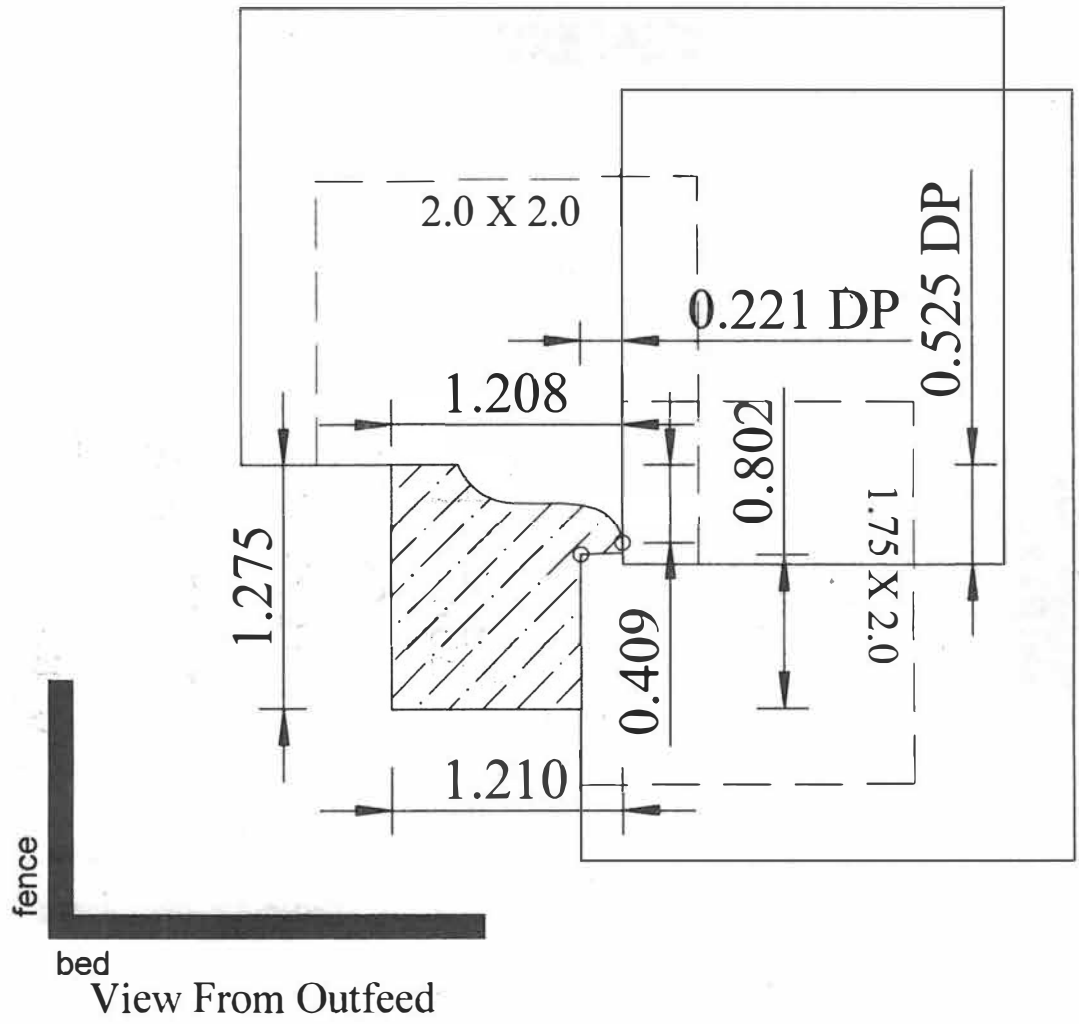
E-96



F-80

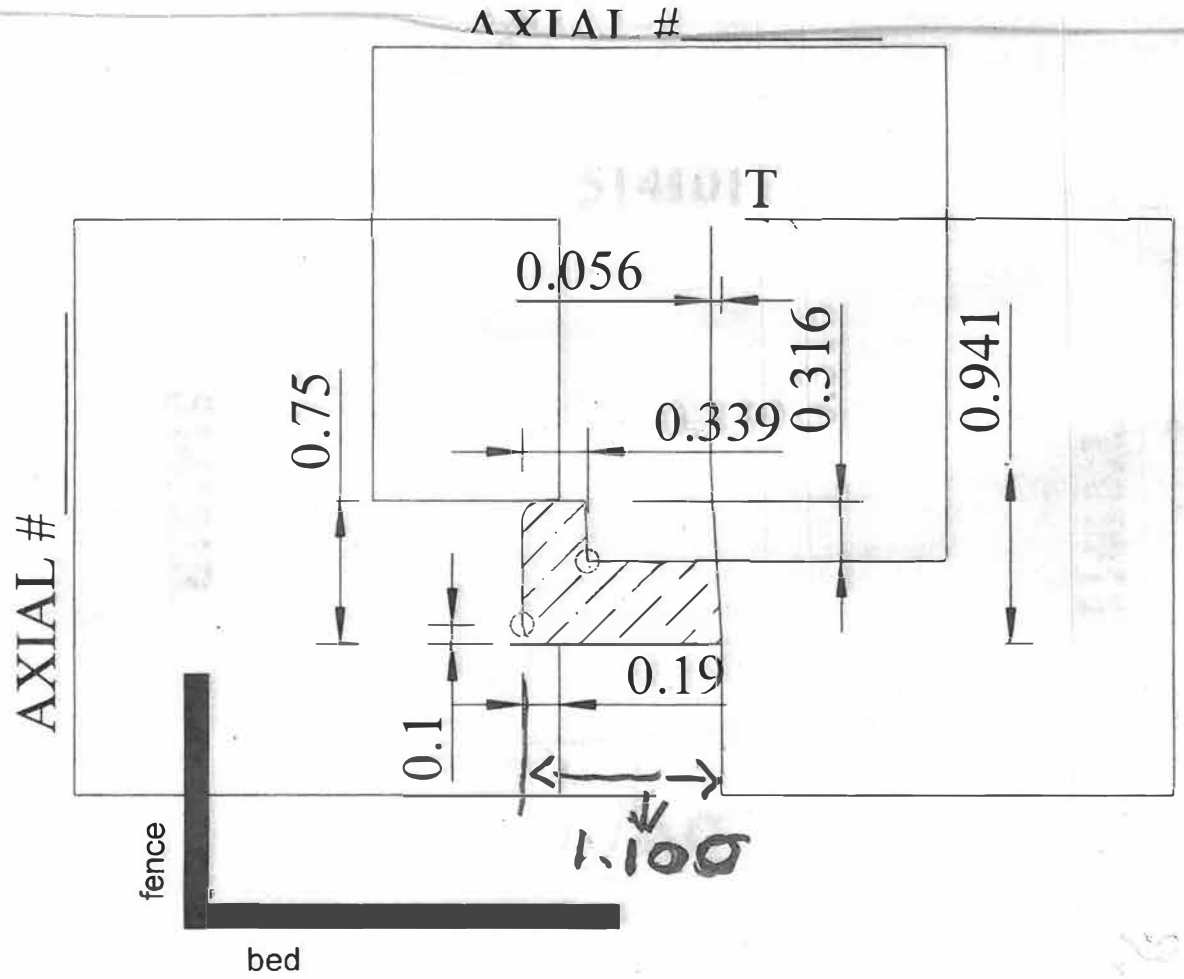


F-89



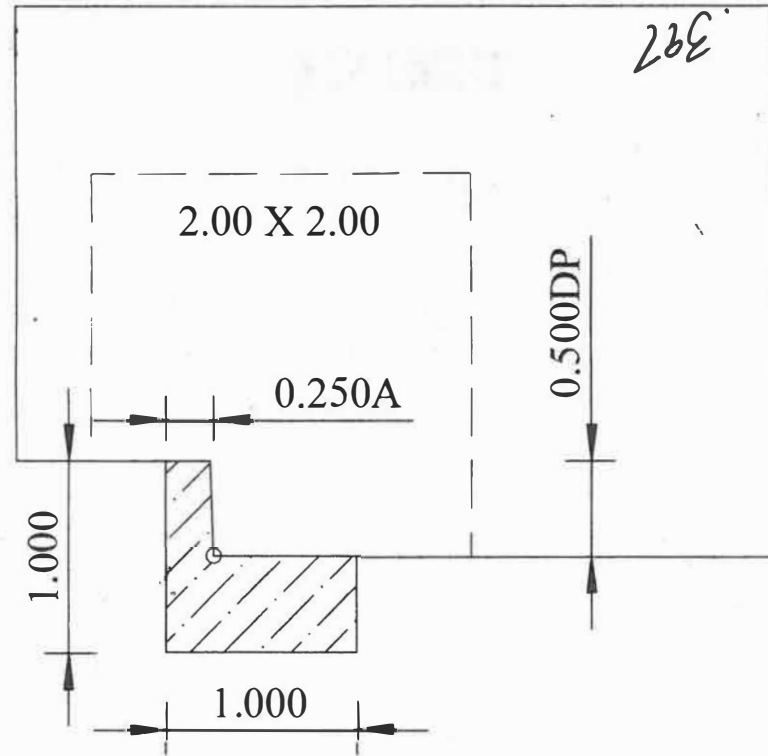
G-1

	Finished	Rough
A22-H83	Insert	848
TCT Inset	Insert	848



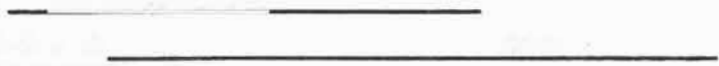


6-59

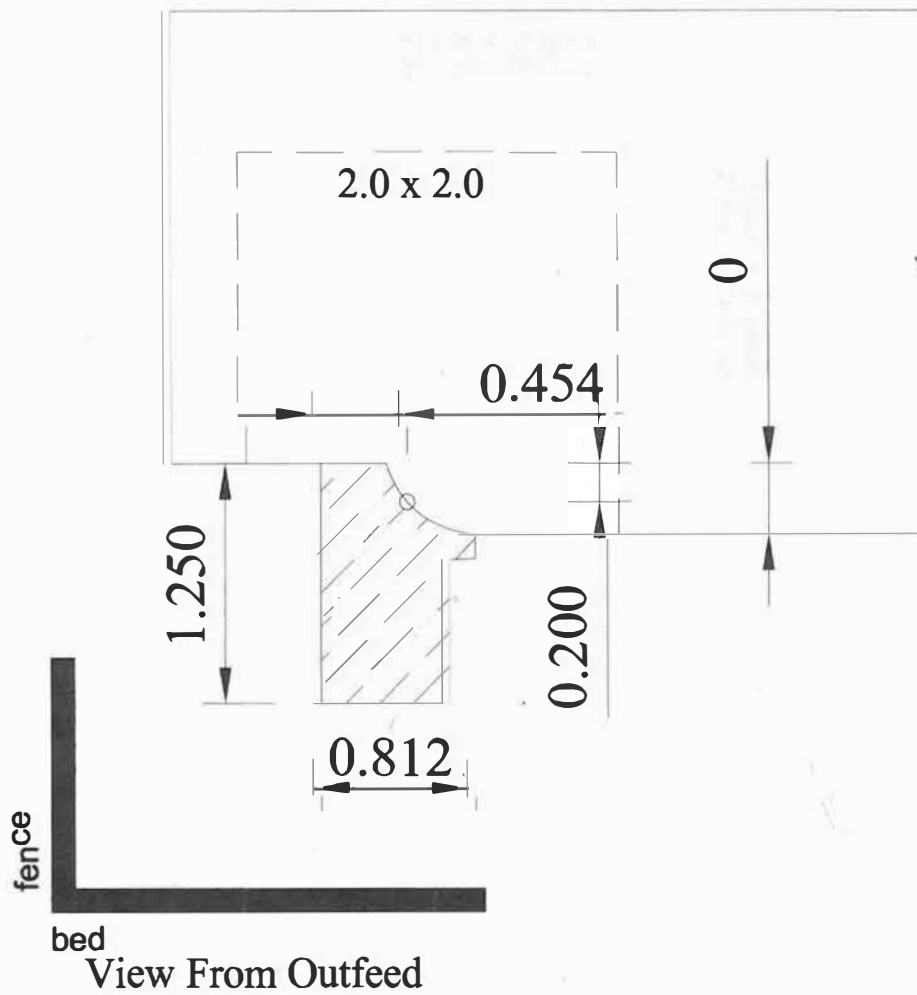


FENCE

An L-shaped symbol representing a fence, with the word "FENCE" written vertically to its left.

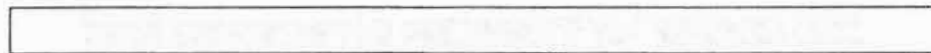
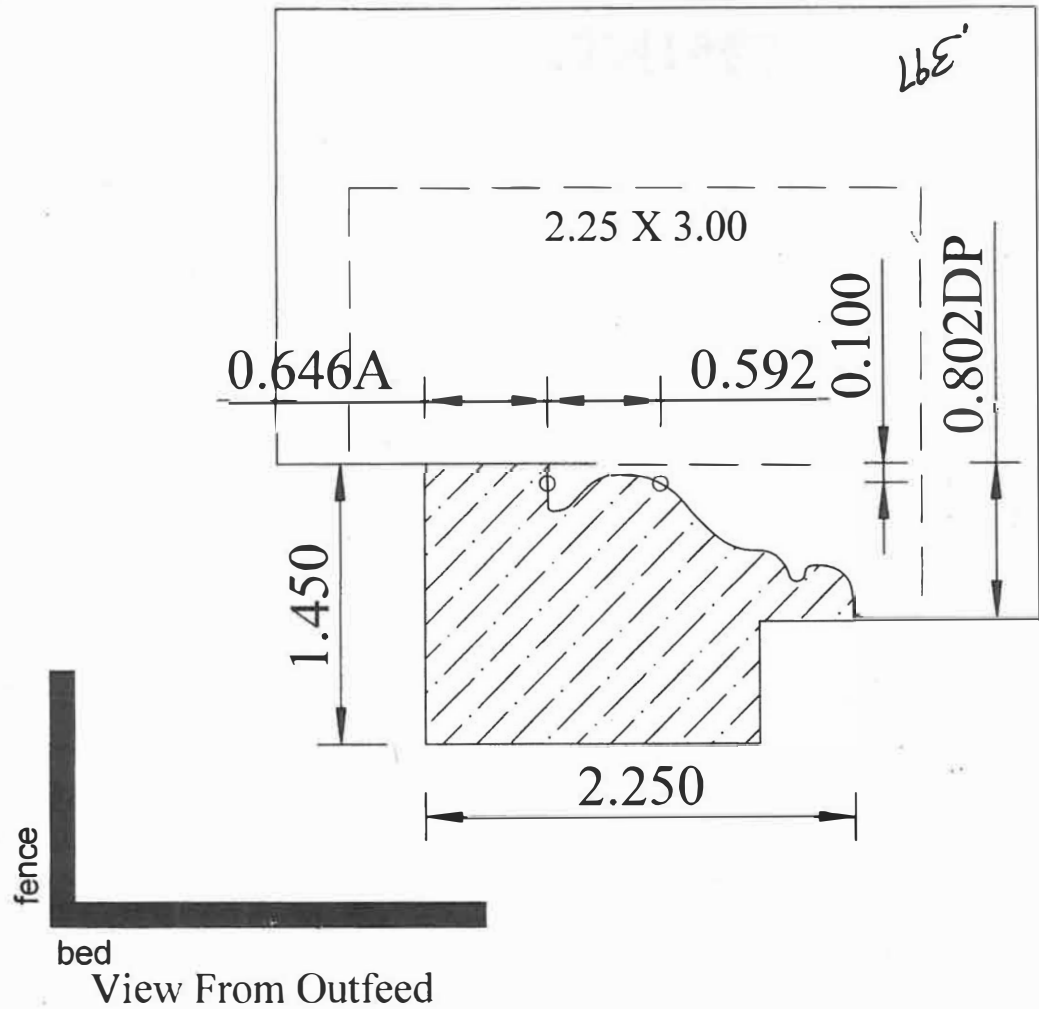


G-80

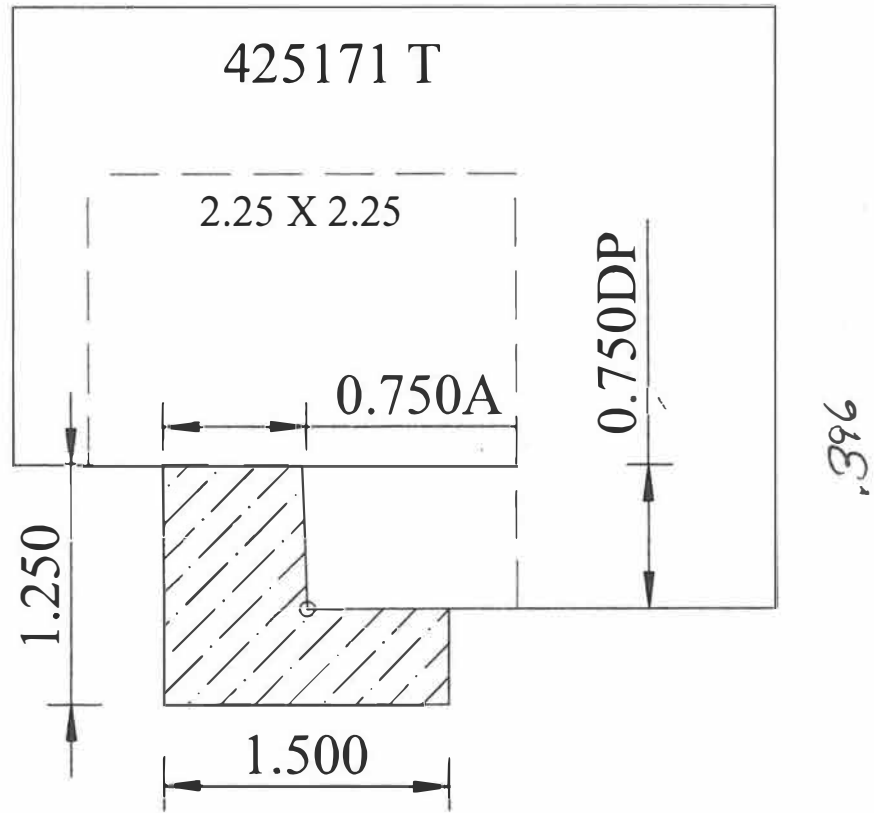


\* Custom for

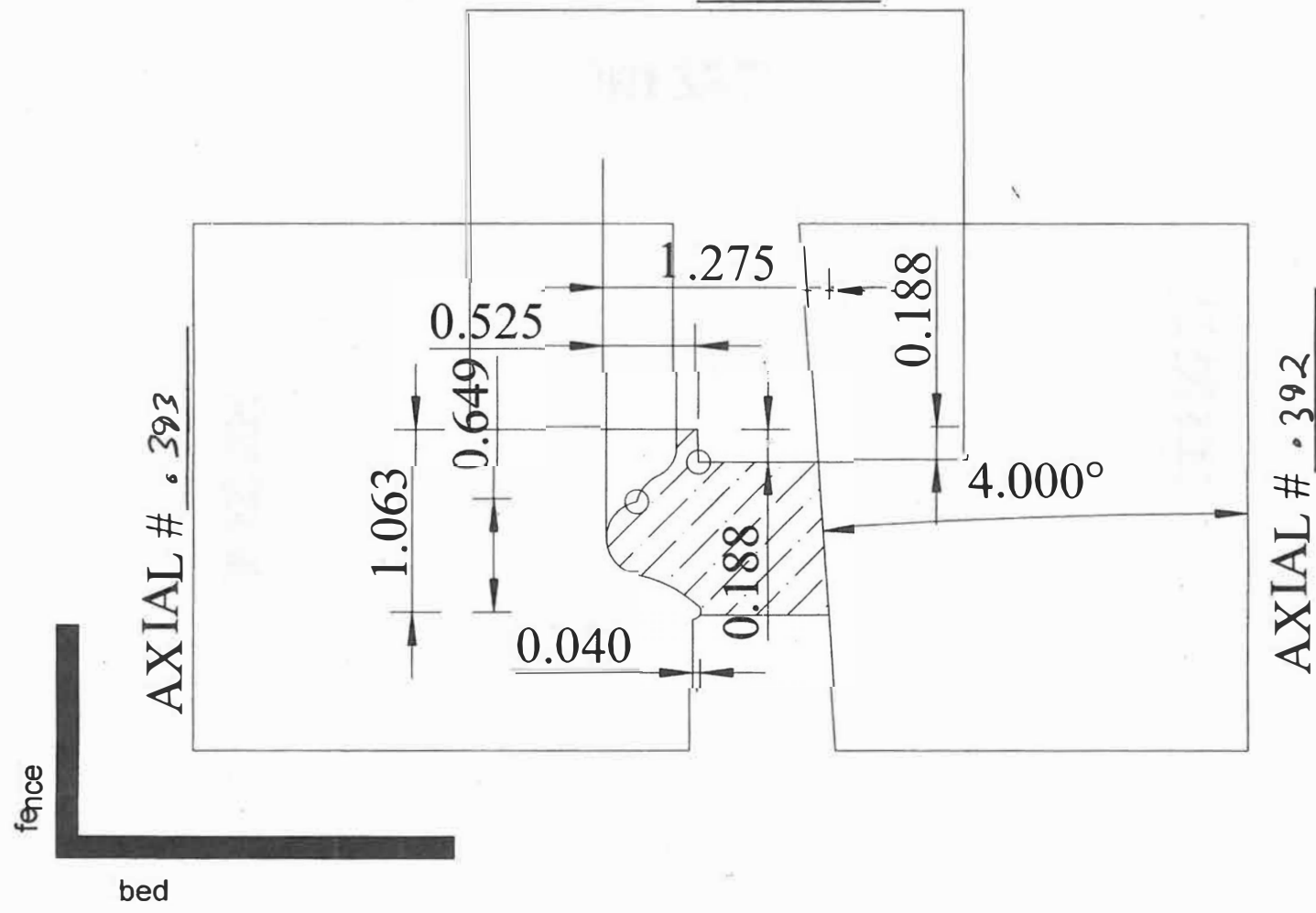
G-82



H-2



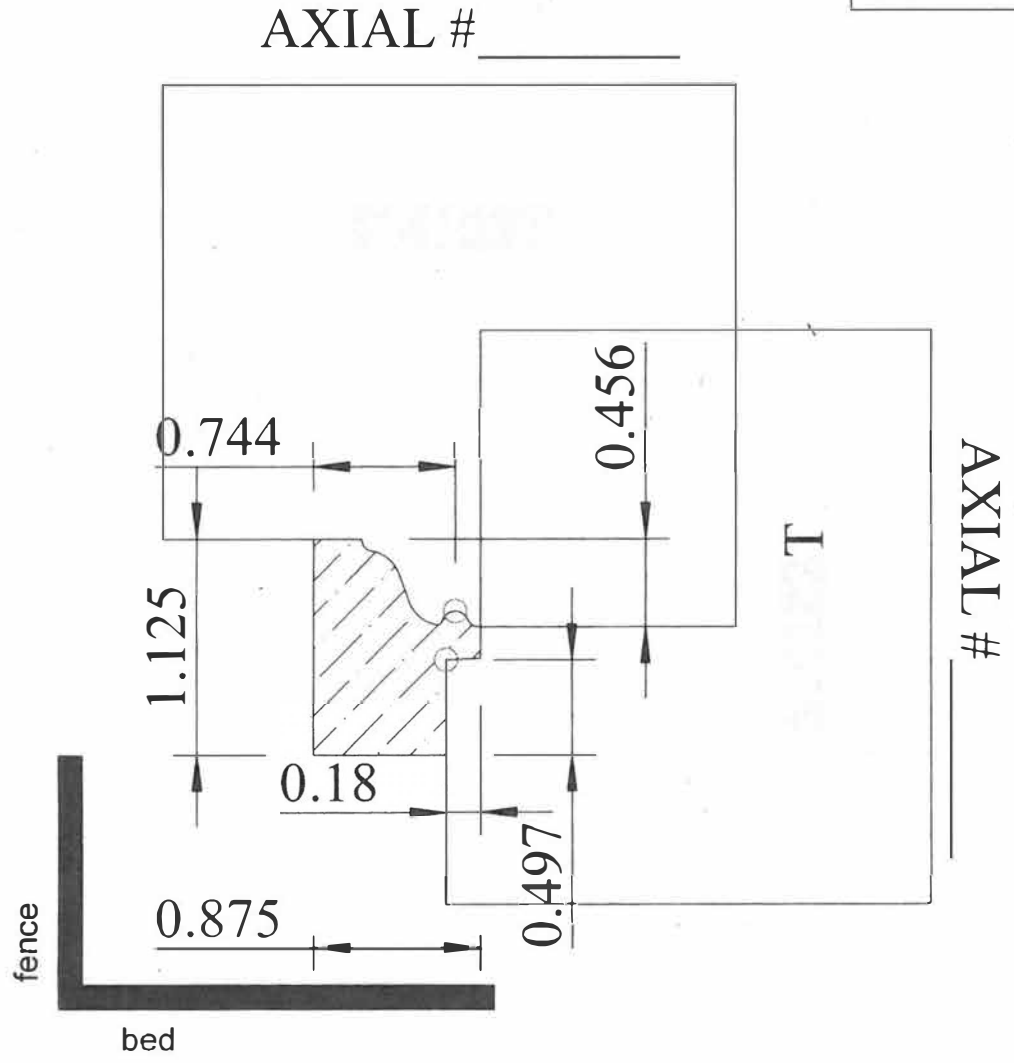

H-4



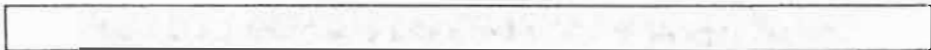
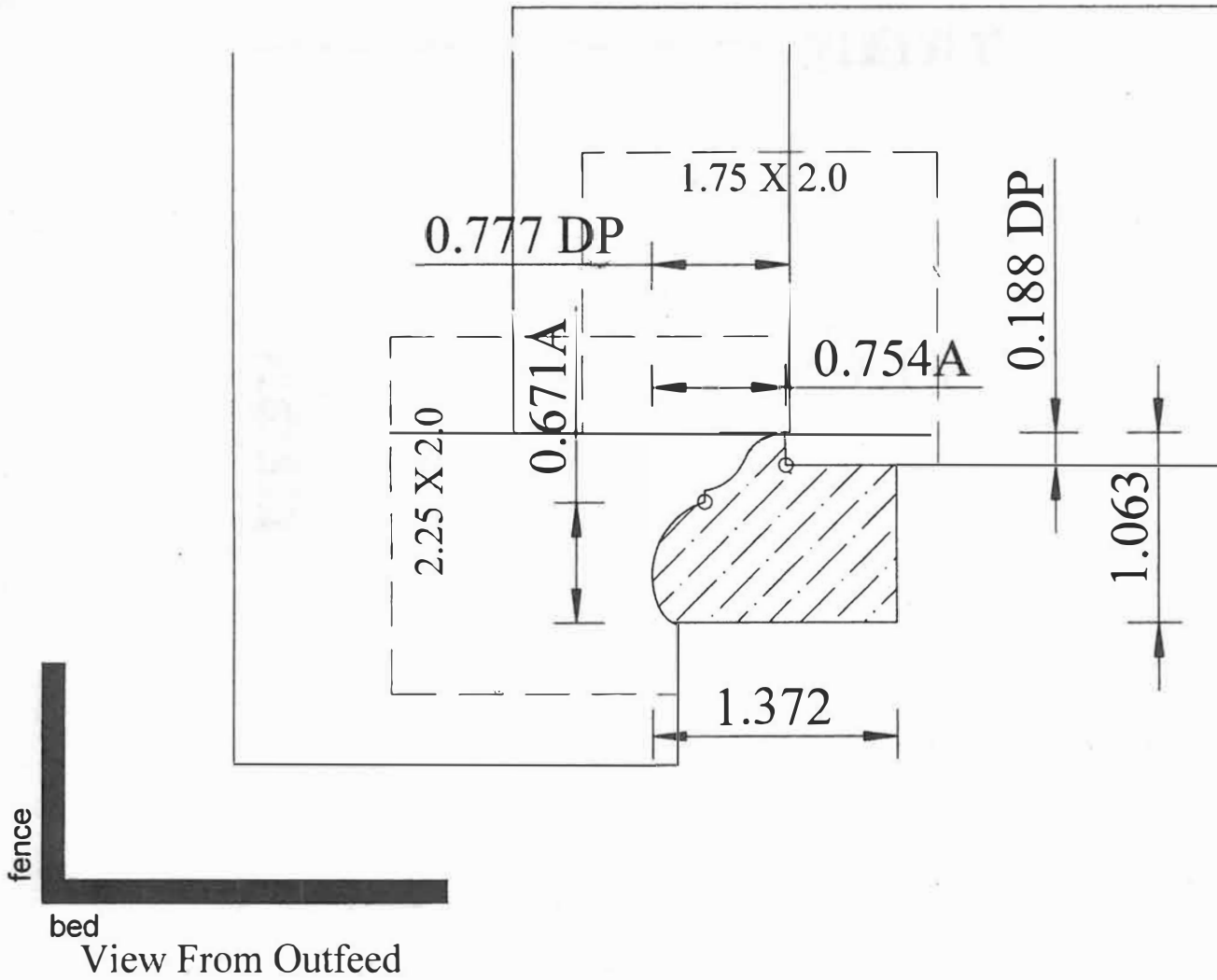
x

	1/4" x 1/4" x 1/4"	1/4" x 1/4" x 1/4"
	1/4" x 1/4" x 1/4"	1/4" x 1/4" x 1/4"
	1/4" x 1/4" x 1/4"	1/4" x 1/4" x 1/4"

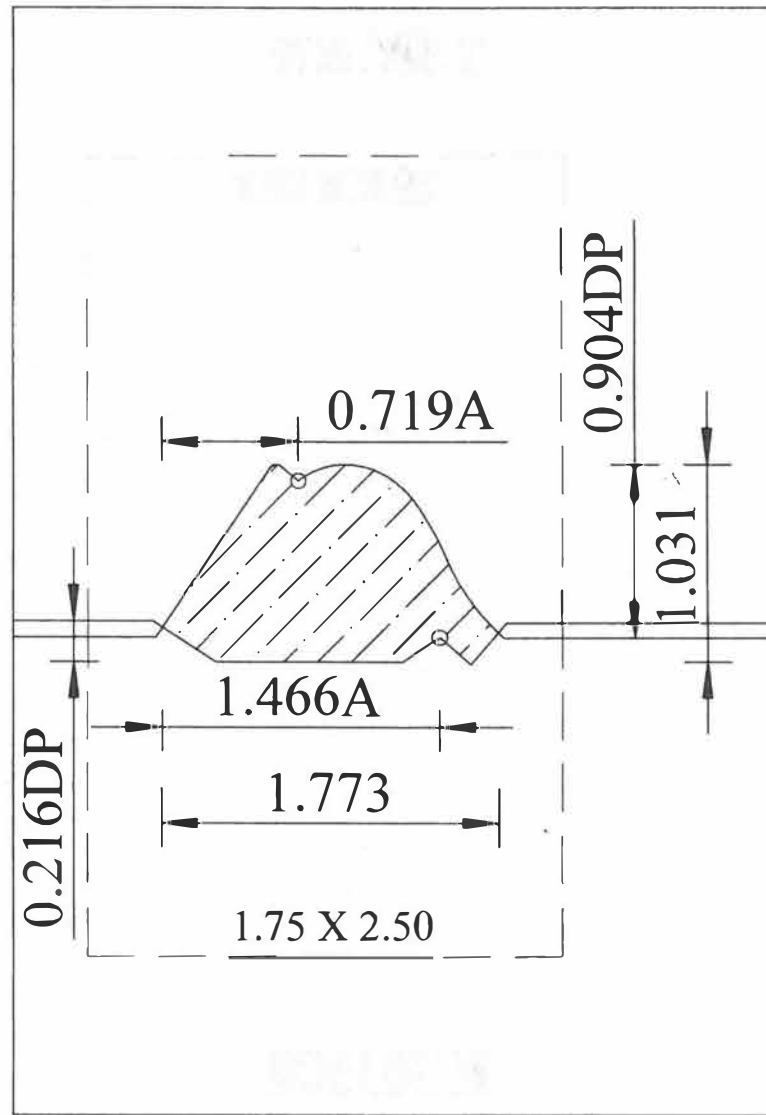
**H-76**



I-89



J-75



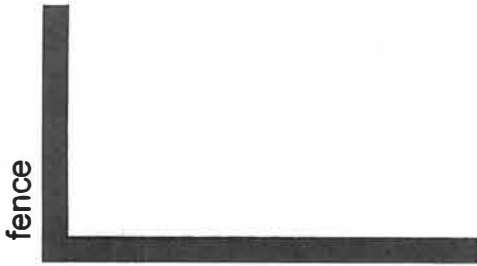
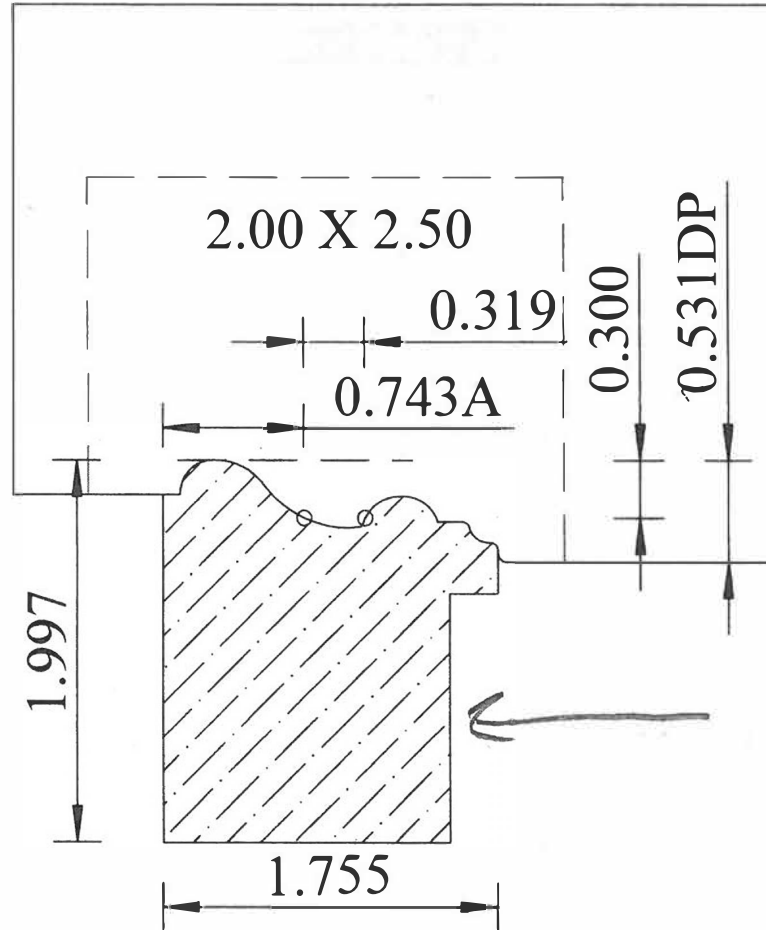
fence

bed

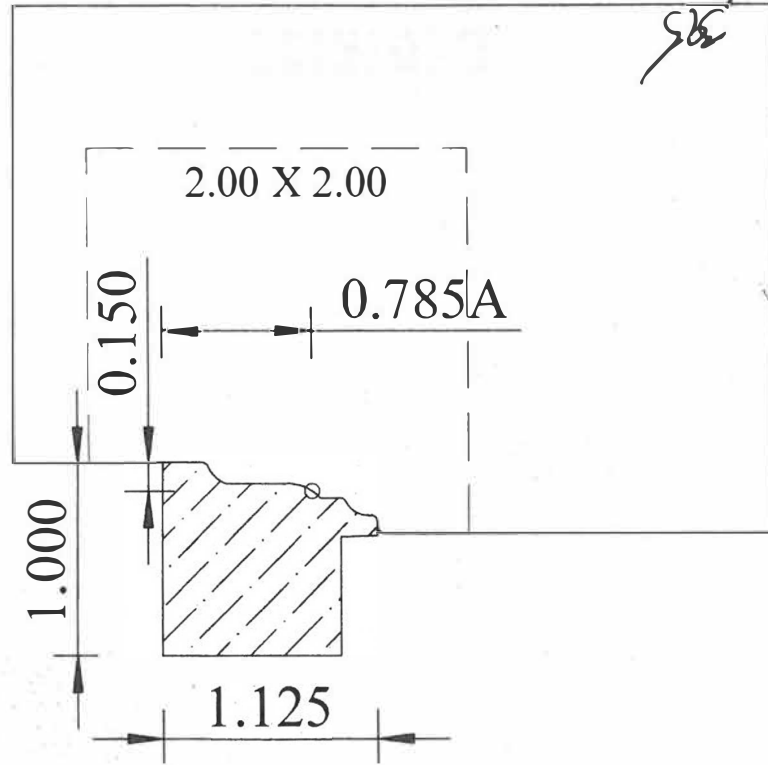
View From Outfeed



J-93



K-69



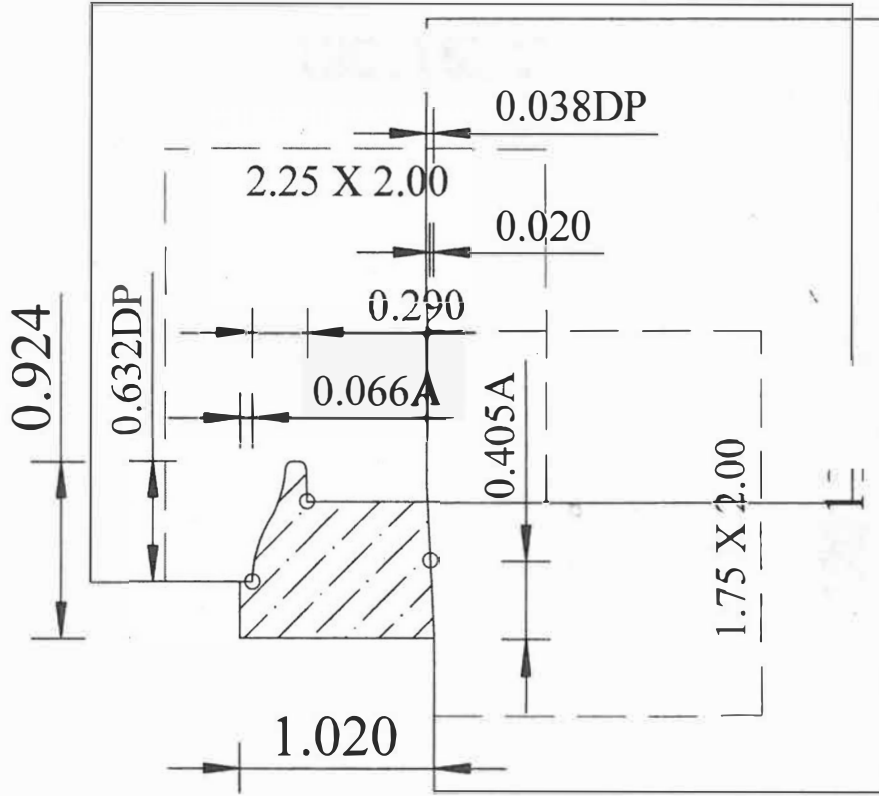
fe ce

$d$   
Vi

d

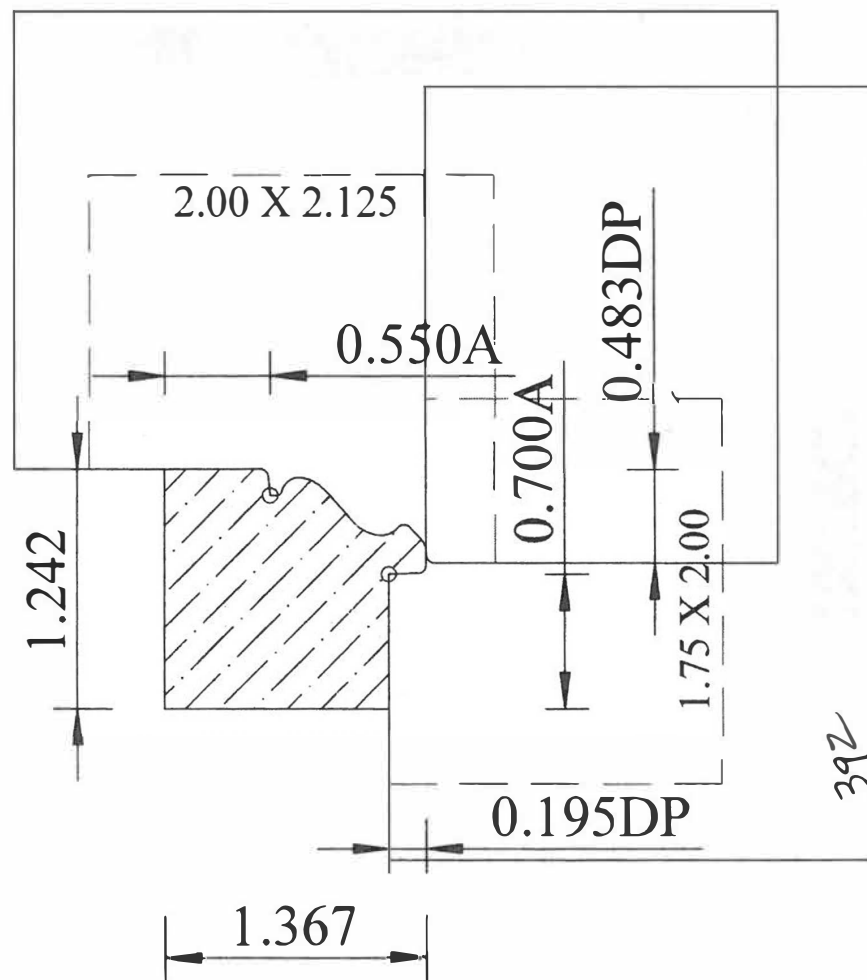


K-74



ce

K-92



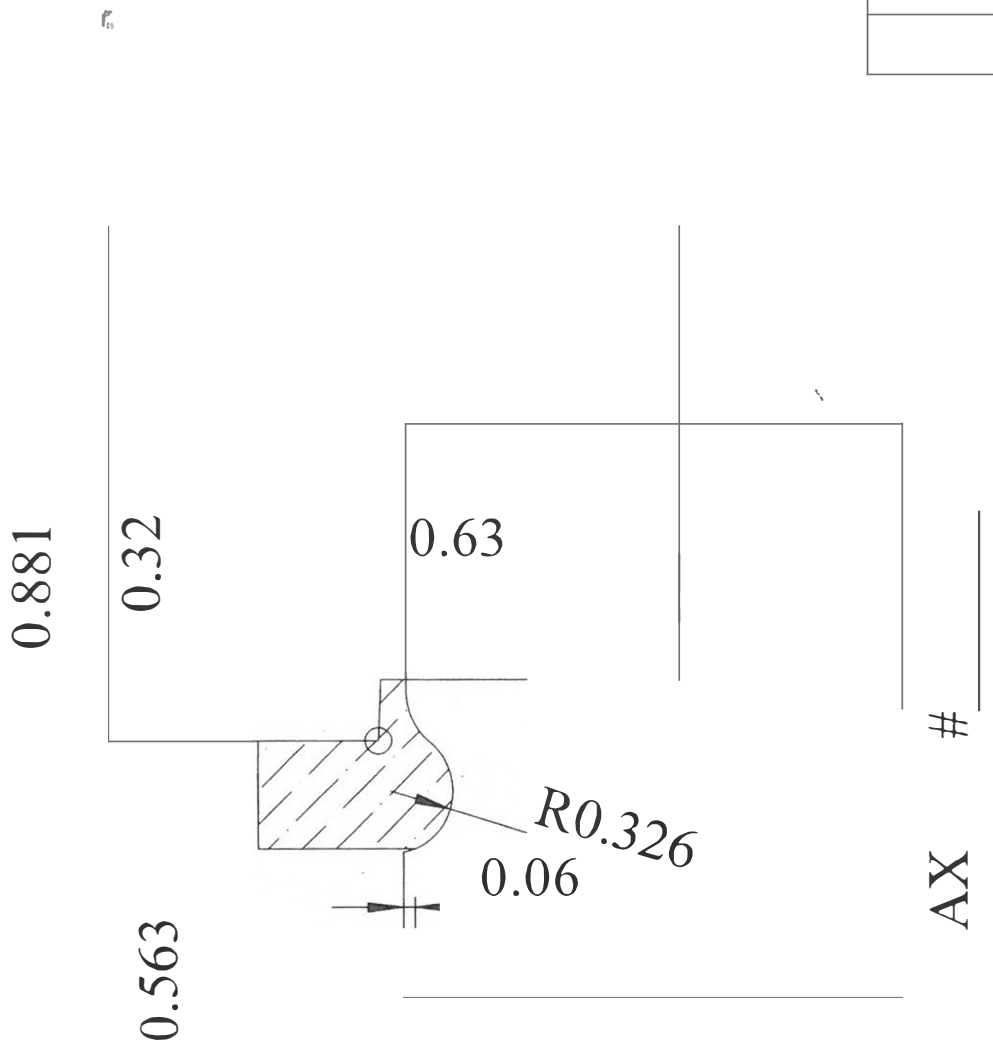
fence

bed



nce

bed




R-2