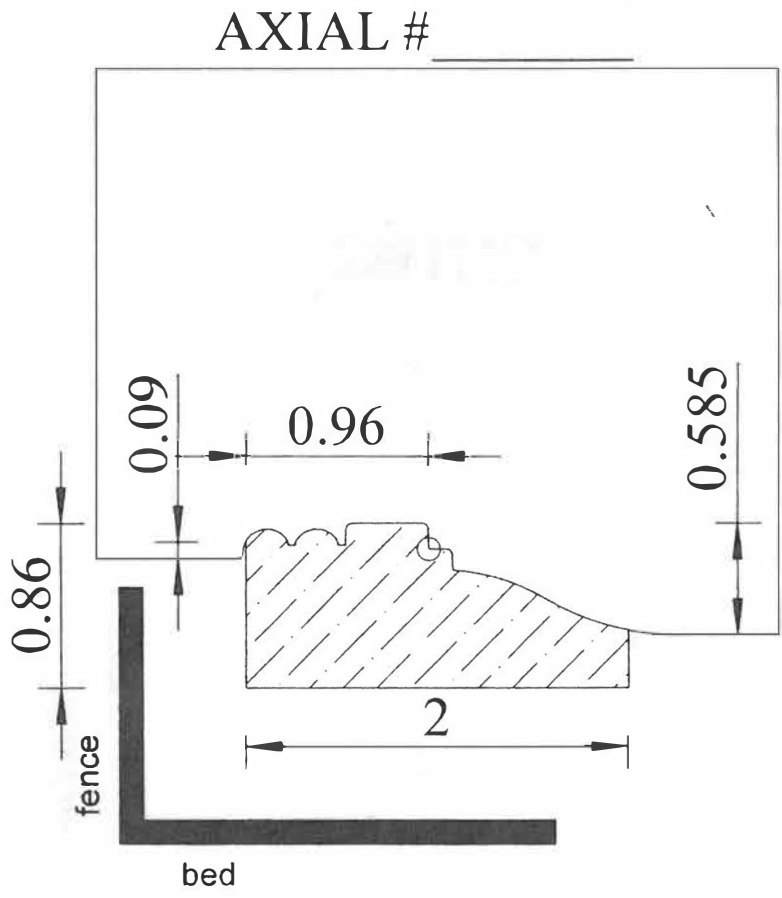


A-63



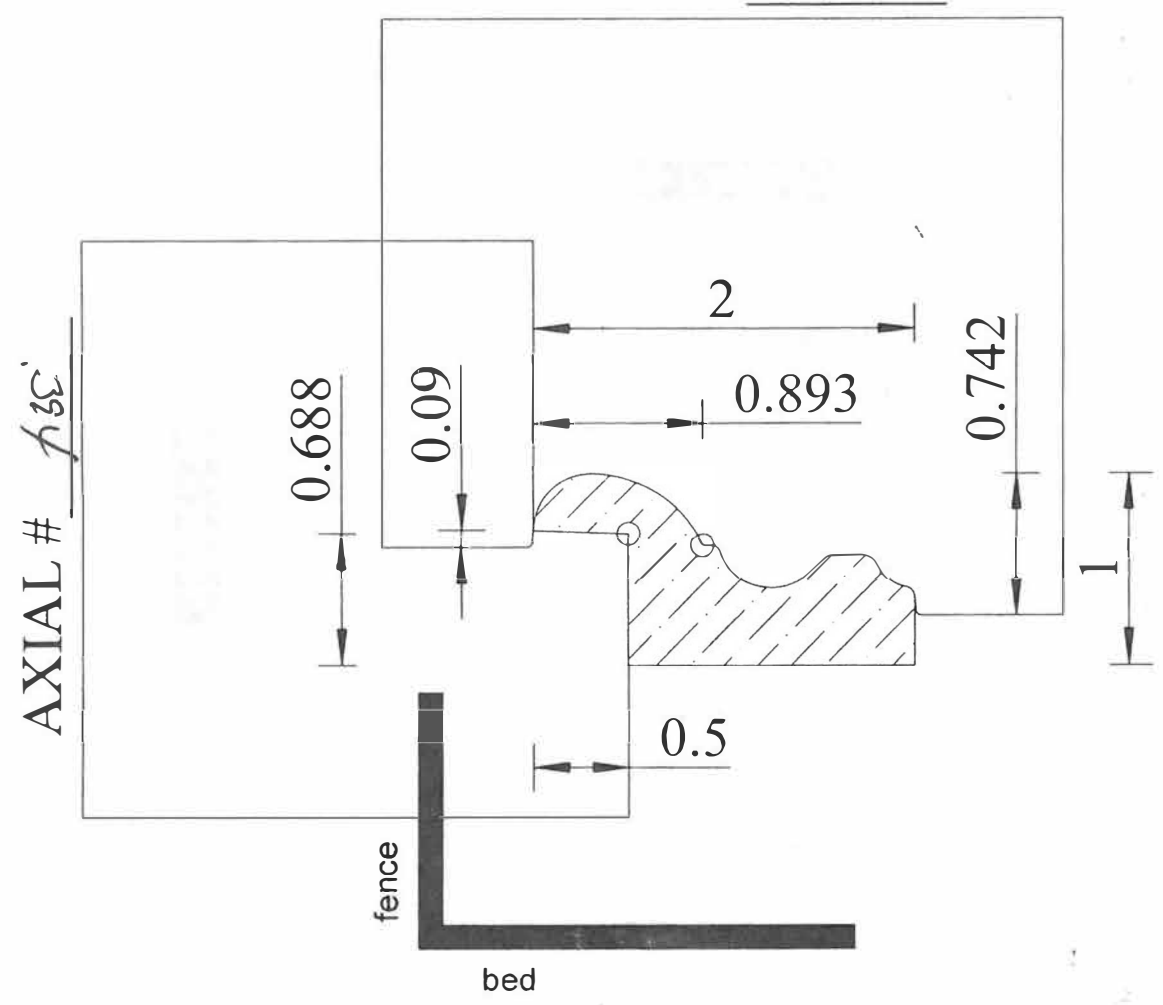


- EST 1938 -

**A. FILLINGER, INC.**

MOULDING DIVISION

A-65



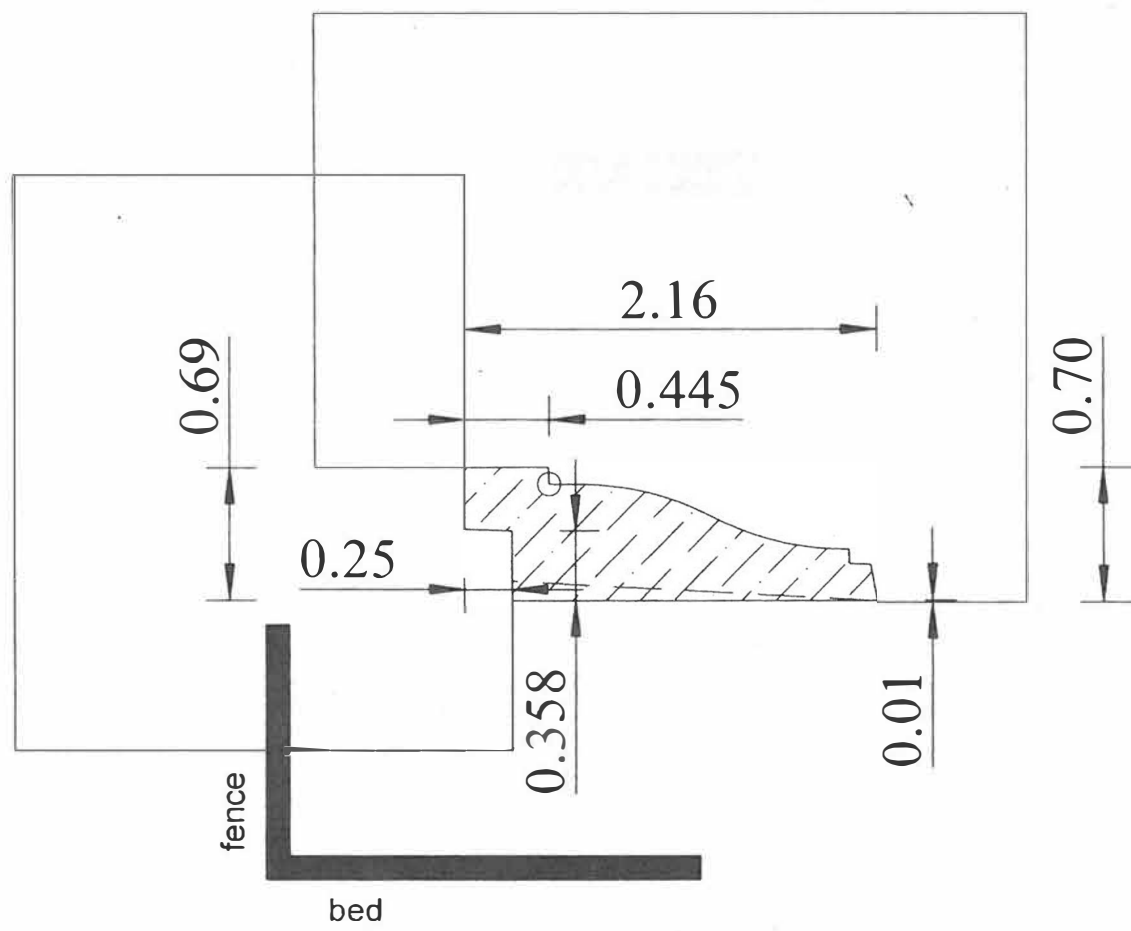


- EST 1938 -

**A. FILLINGER, INC.**

MOULDING DIVISION

A-70





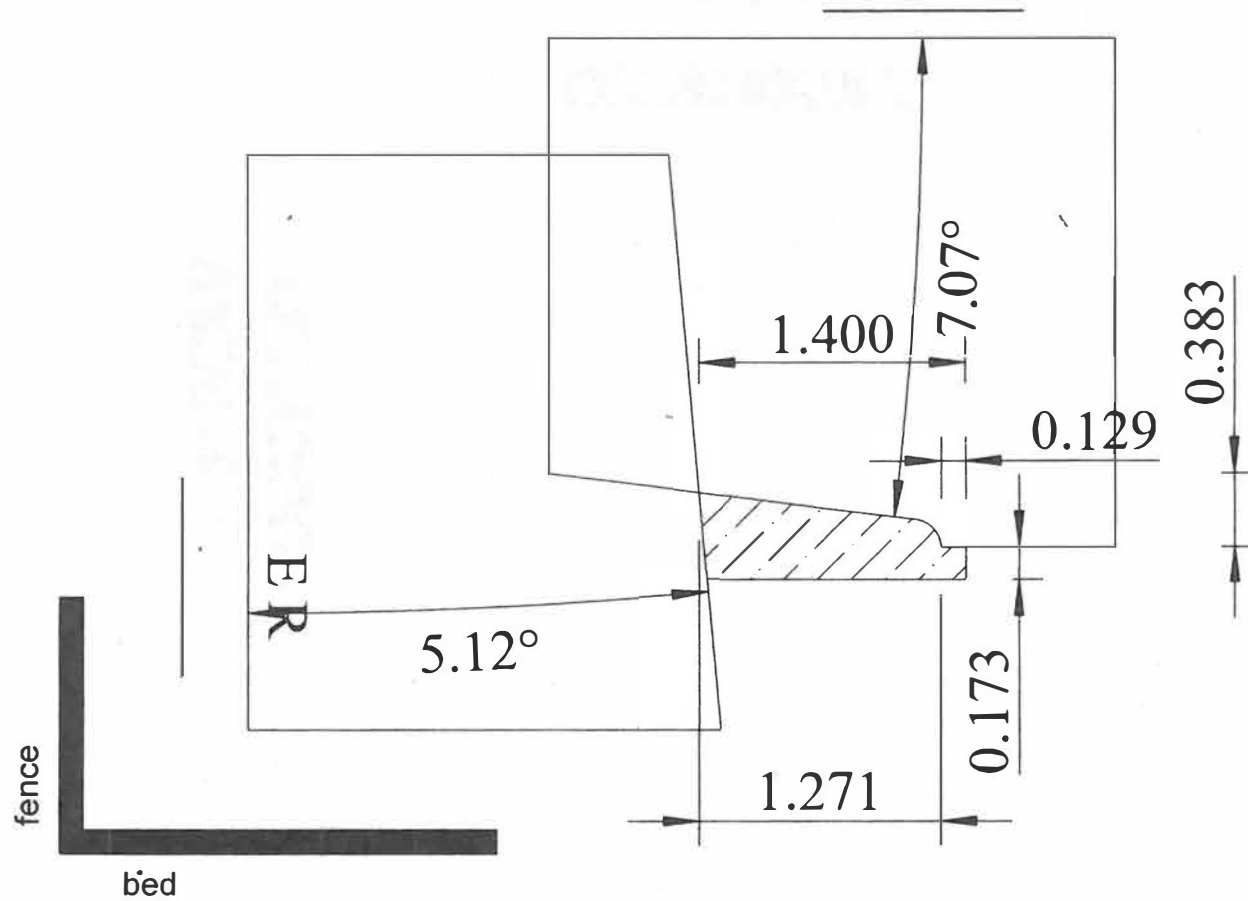
- EST

1938 -

**A. FILLINGER, INC.**

MOULDING DIVISION

A-81



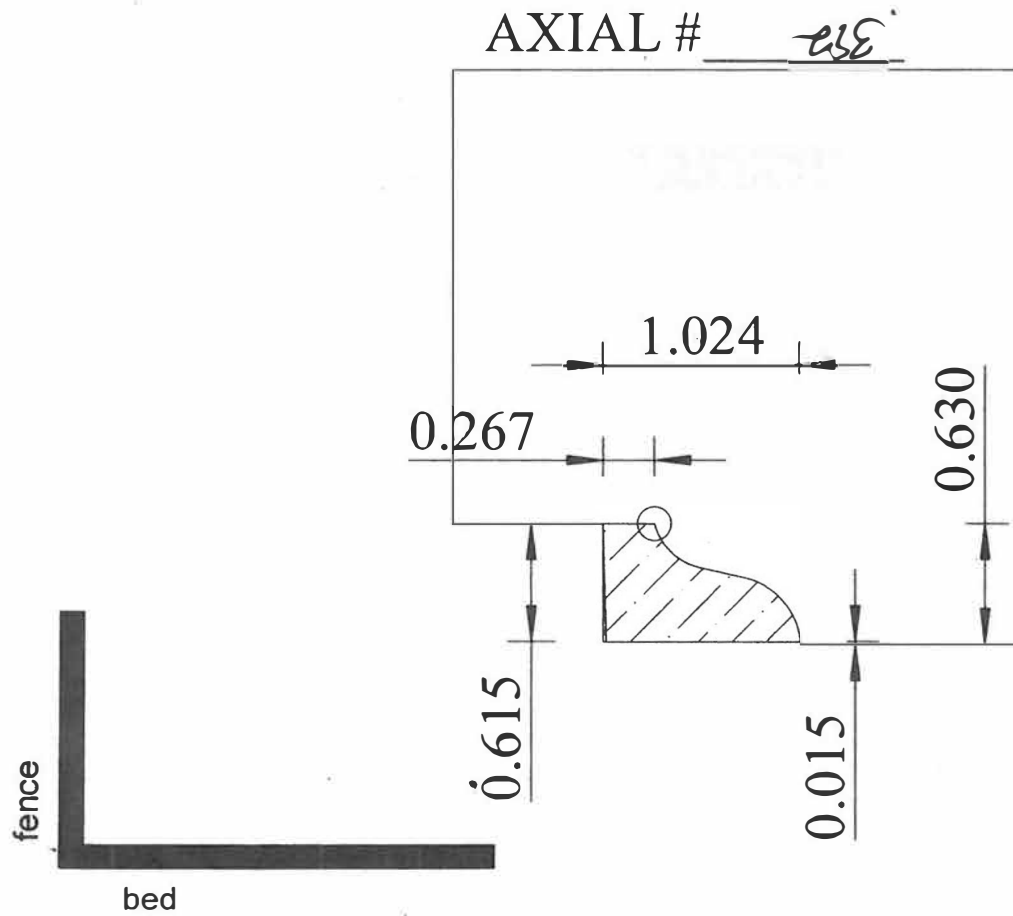


- EST 1938 -

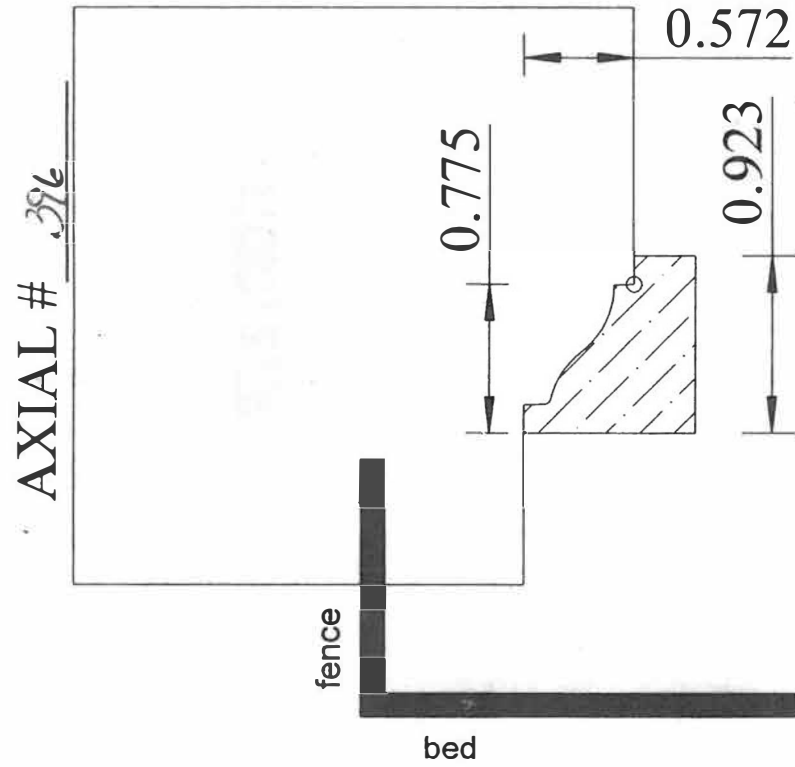
**A. FILLINGER, INC.**

MOULDING DIVISION

A-90



A-92



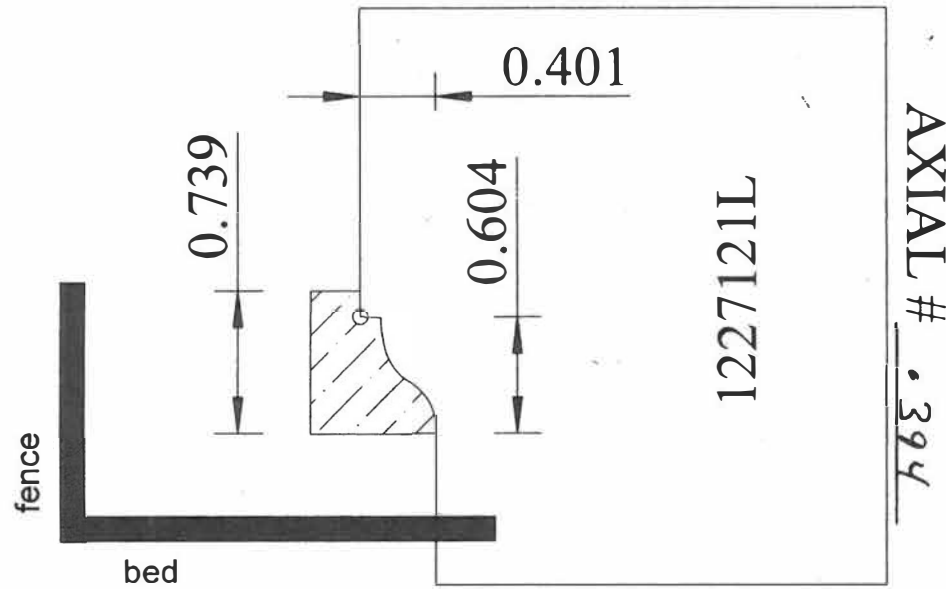


- EST 1938 -

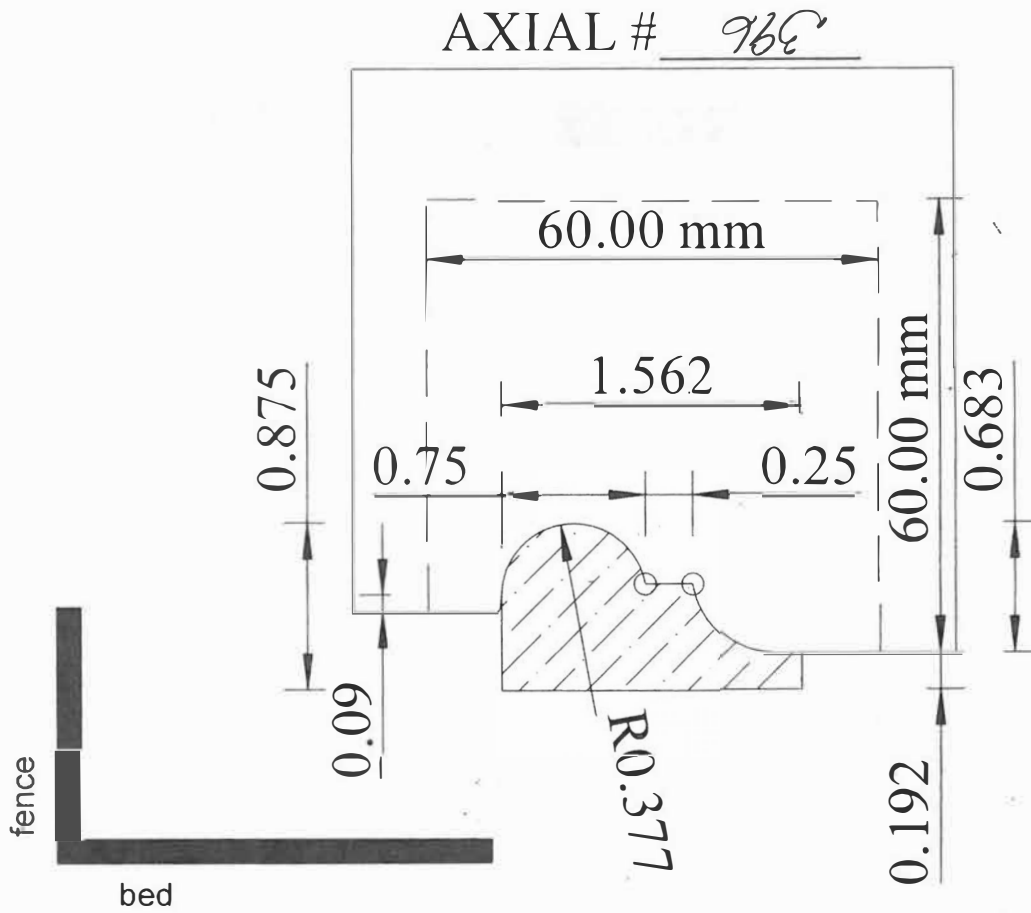
**A. FILLINGER, INC.**

MOULDING DIVISION

A-93

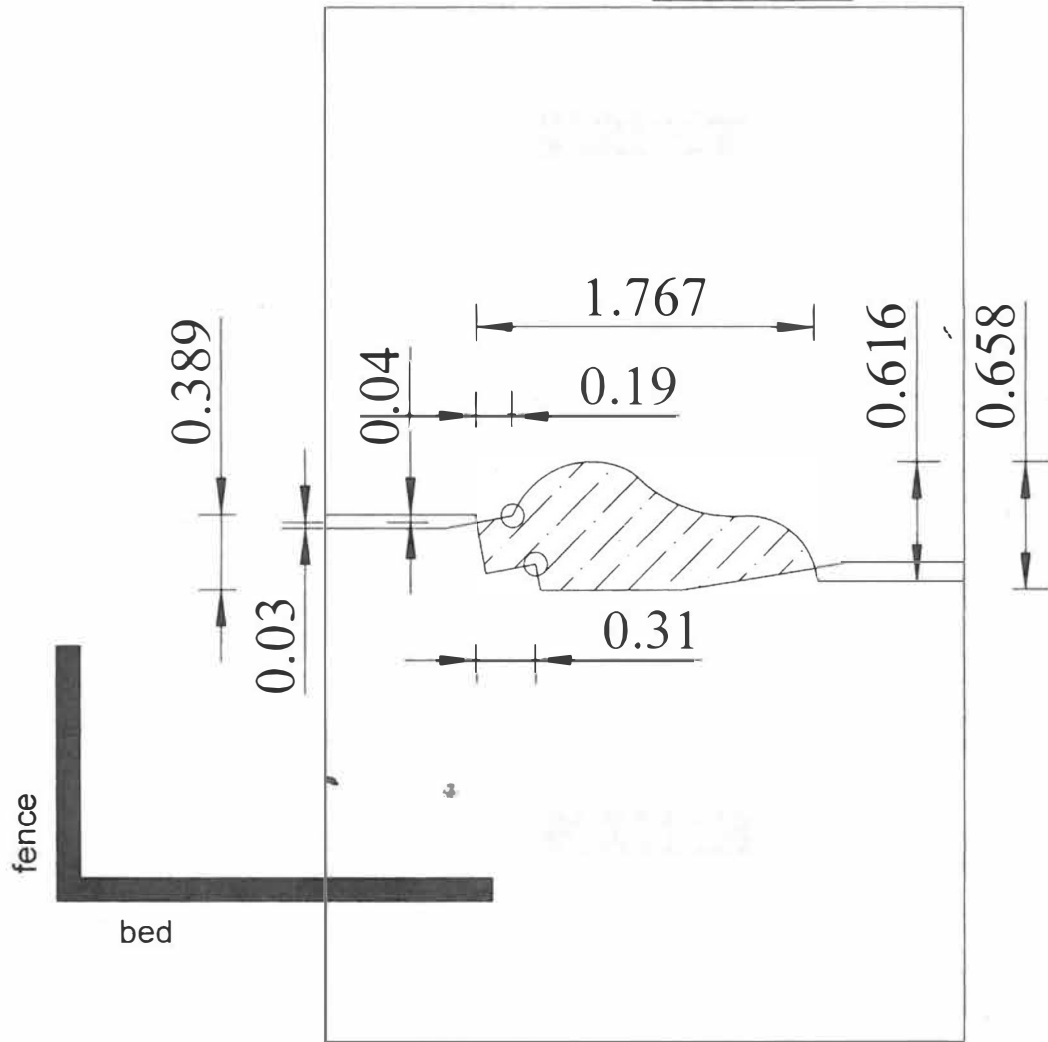


B-69





B-74



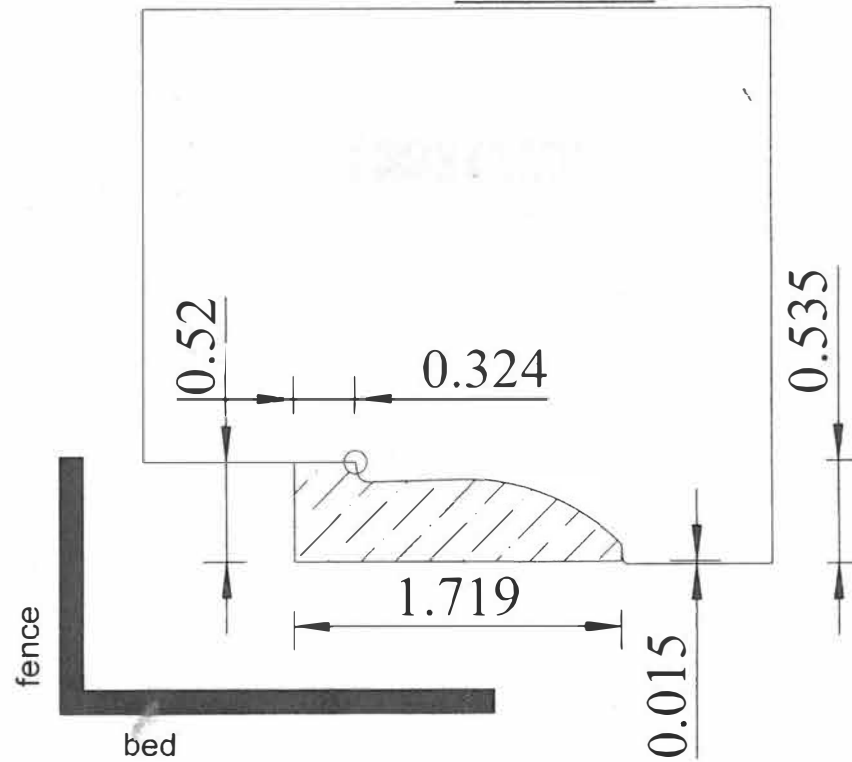


- EST 1938 -

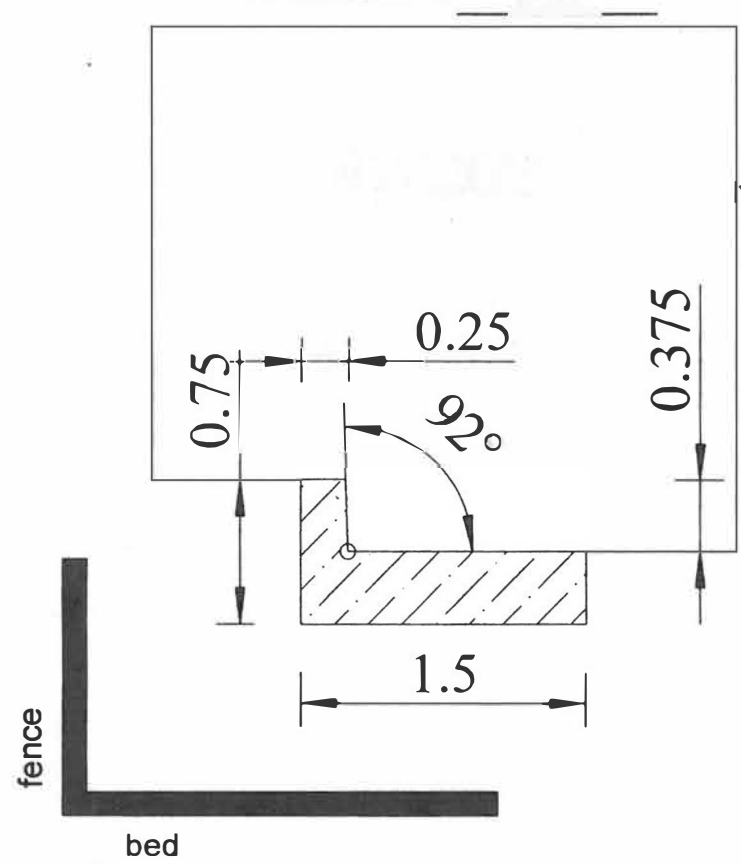
**A. FILLINGER, INC.**

MOULDING DIVISION

B-77



B-88



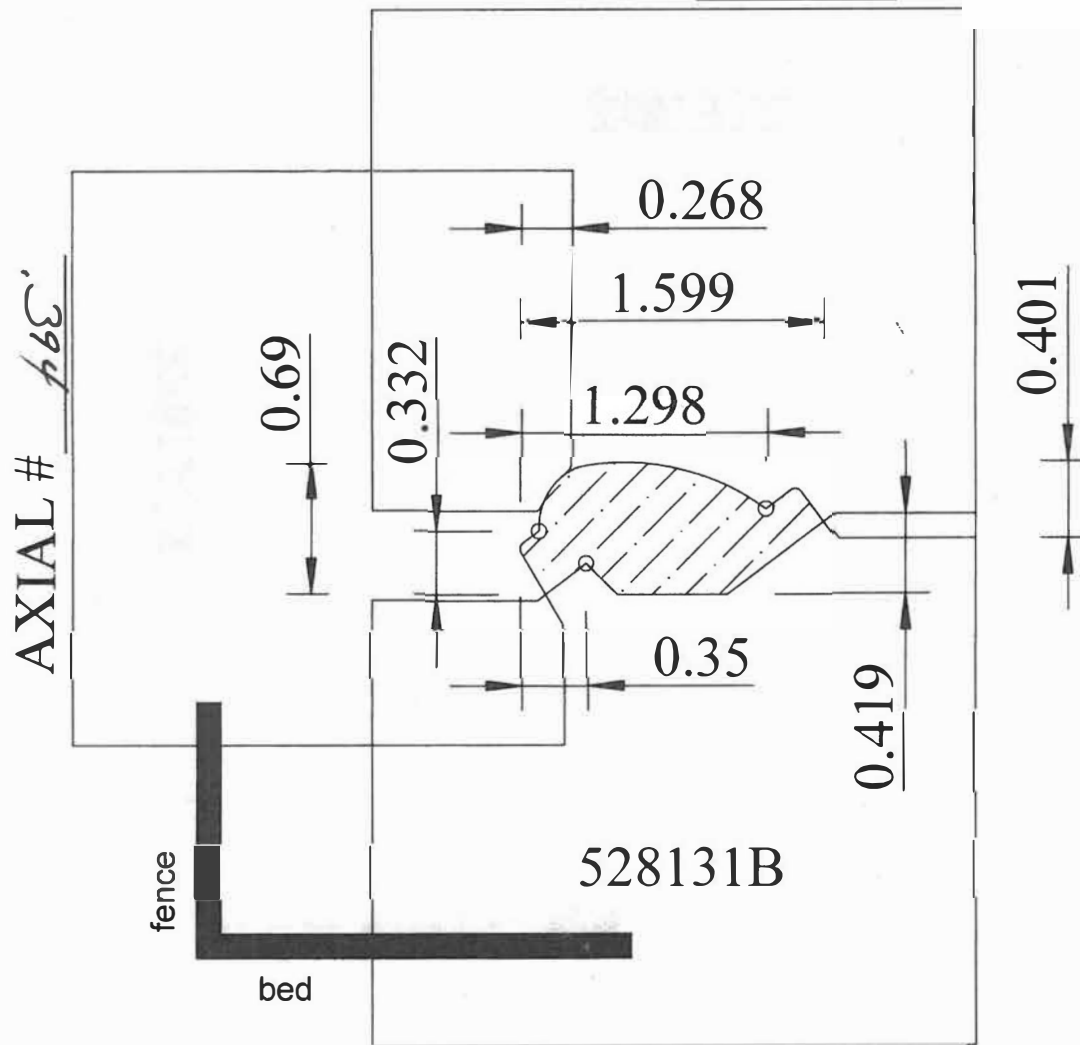


- EST 1938 -

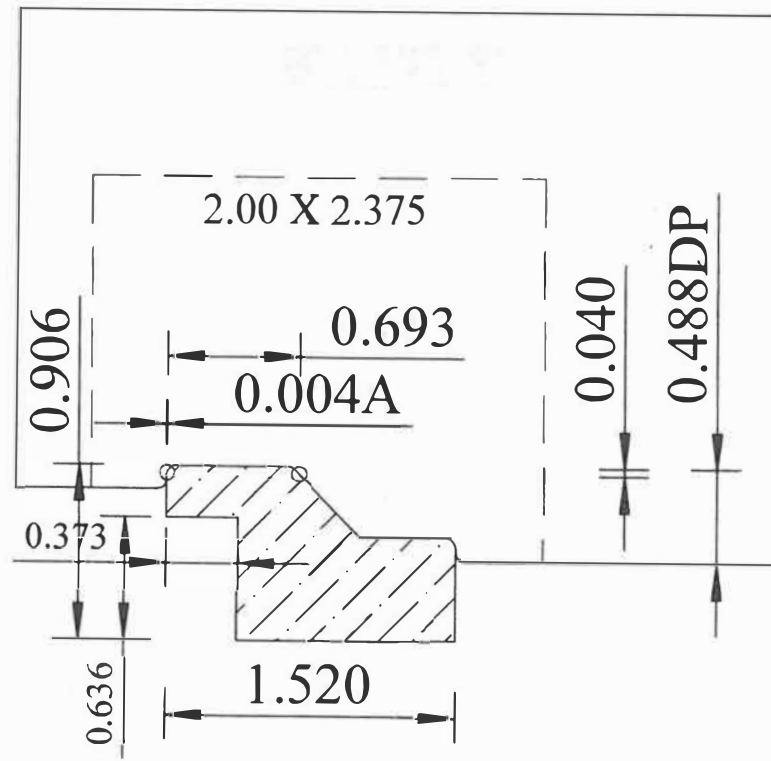
**A. FILLINGER, INC.**

MOULDING DIVISION

*B-92*

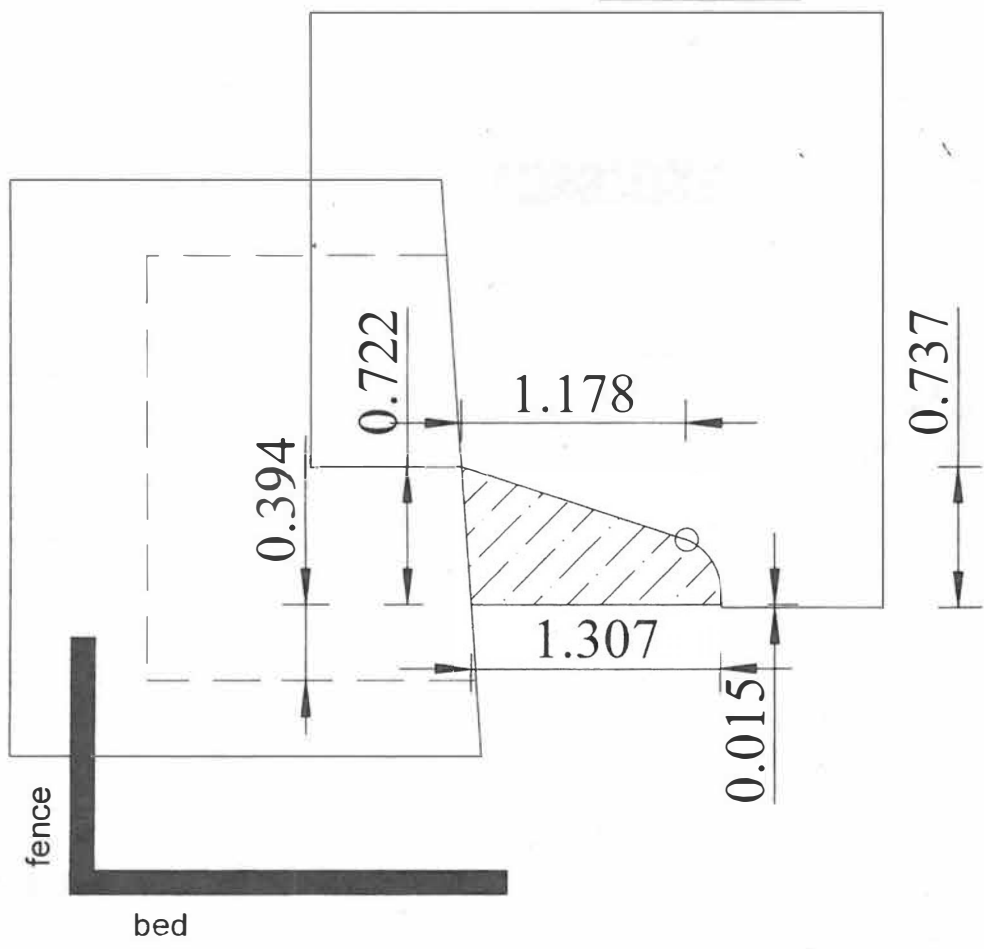


C-55



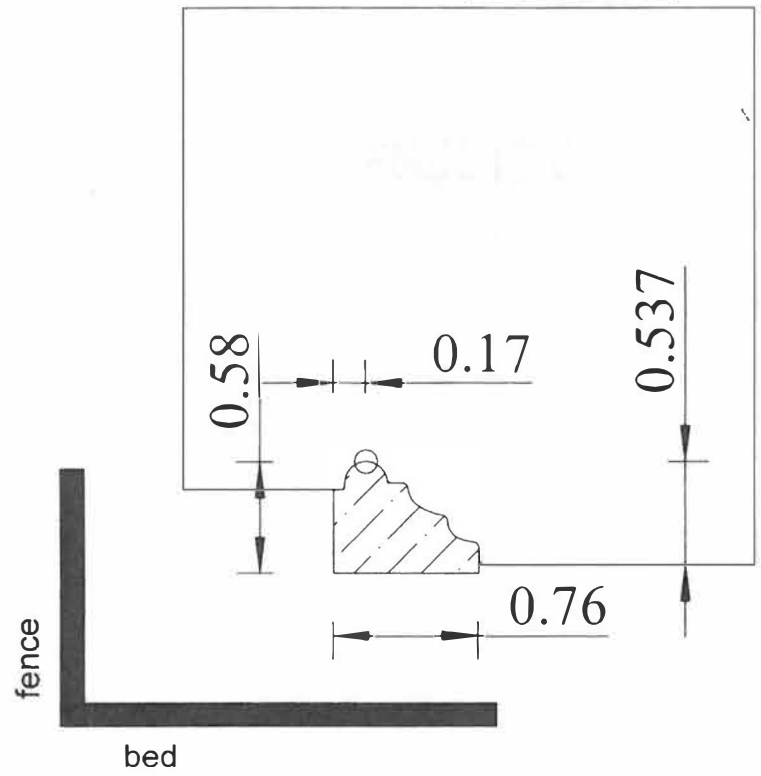
CE

C-70  
Thermo-stop

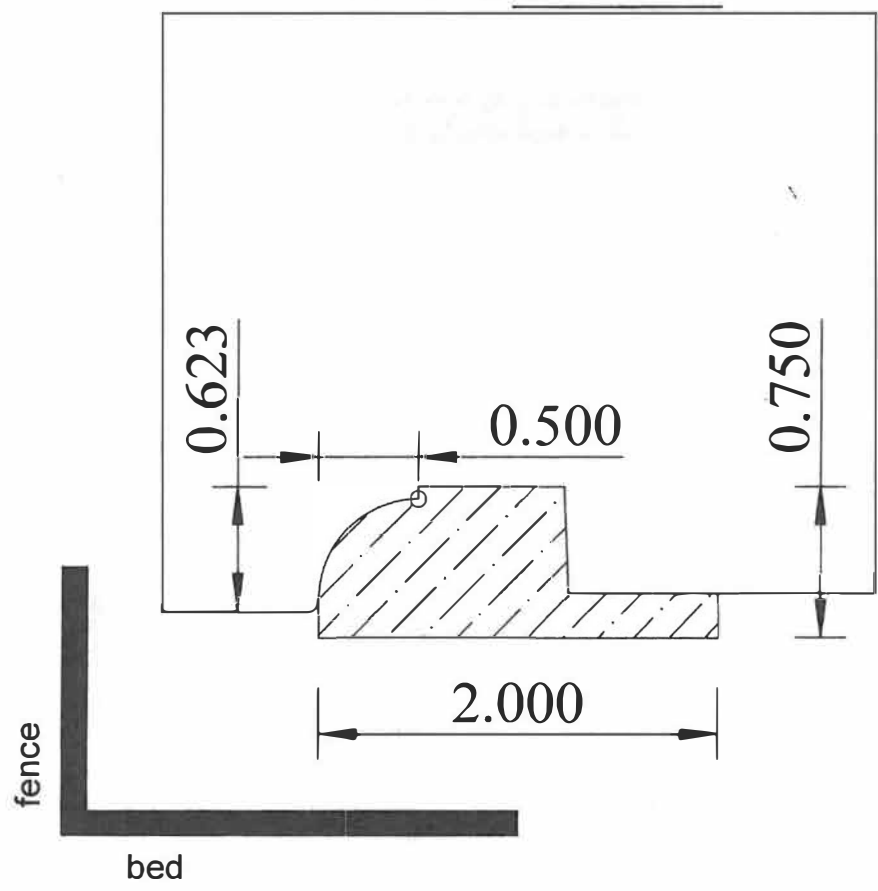


Grid #  
C-72

AXIAL # \_\_\_\_\_

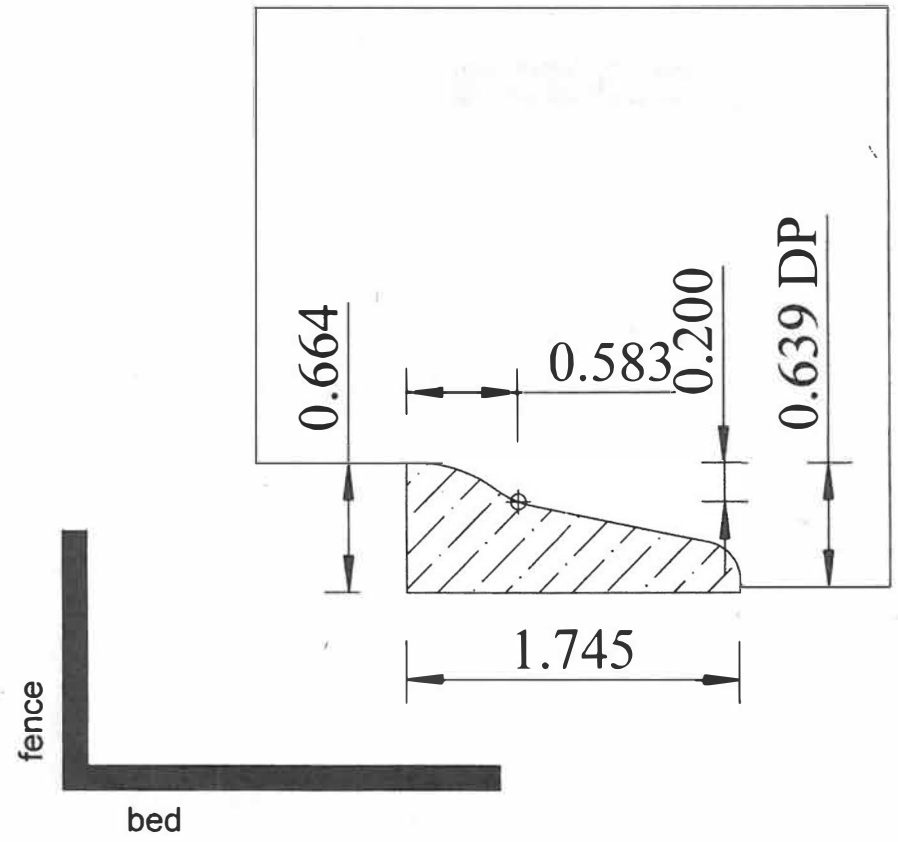


C-87

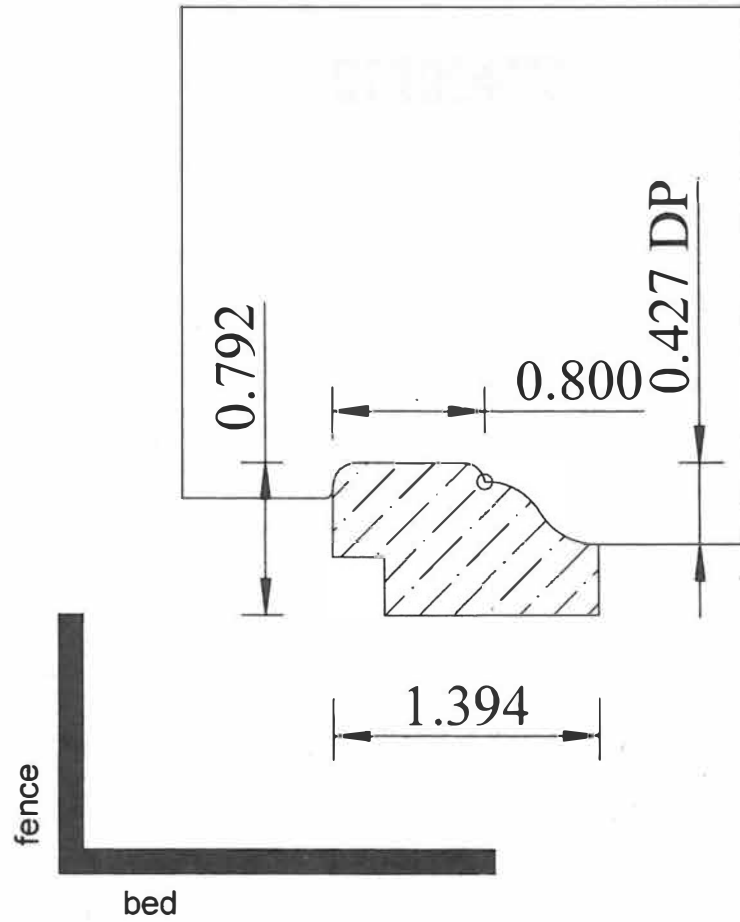




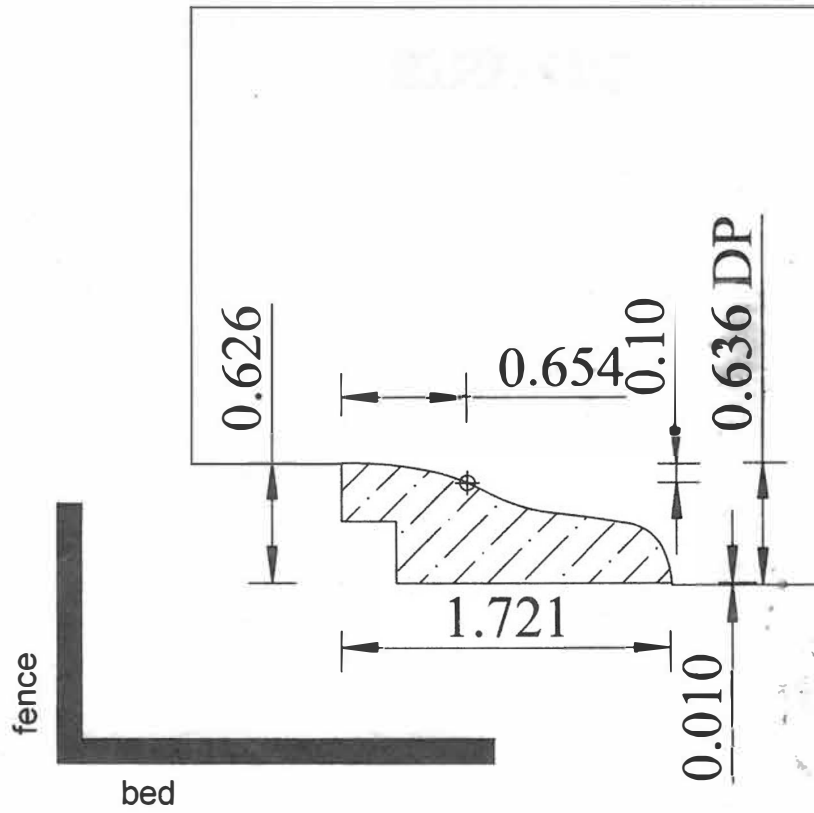
C-93



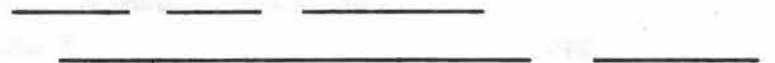
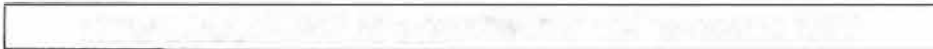
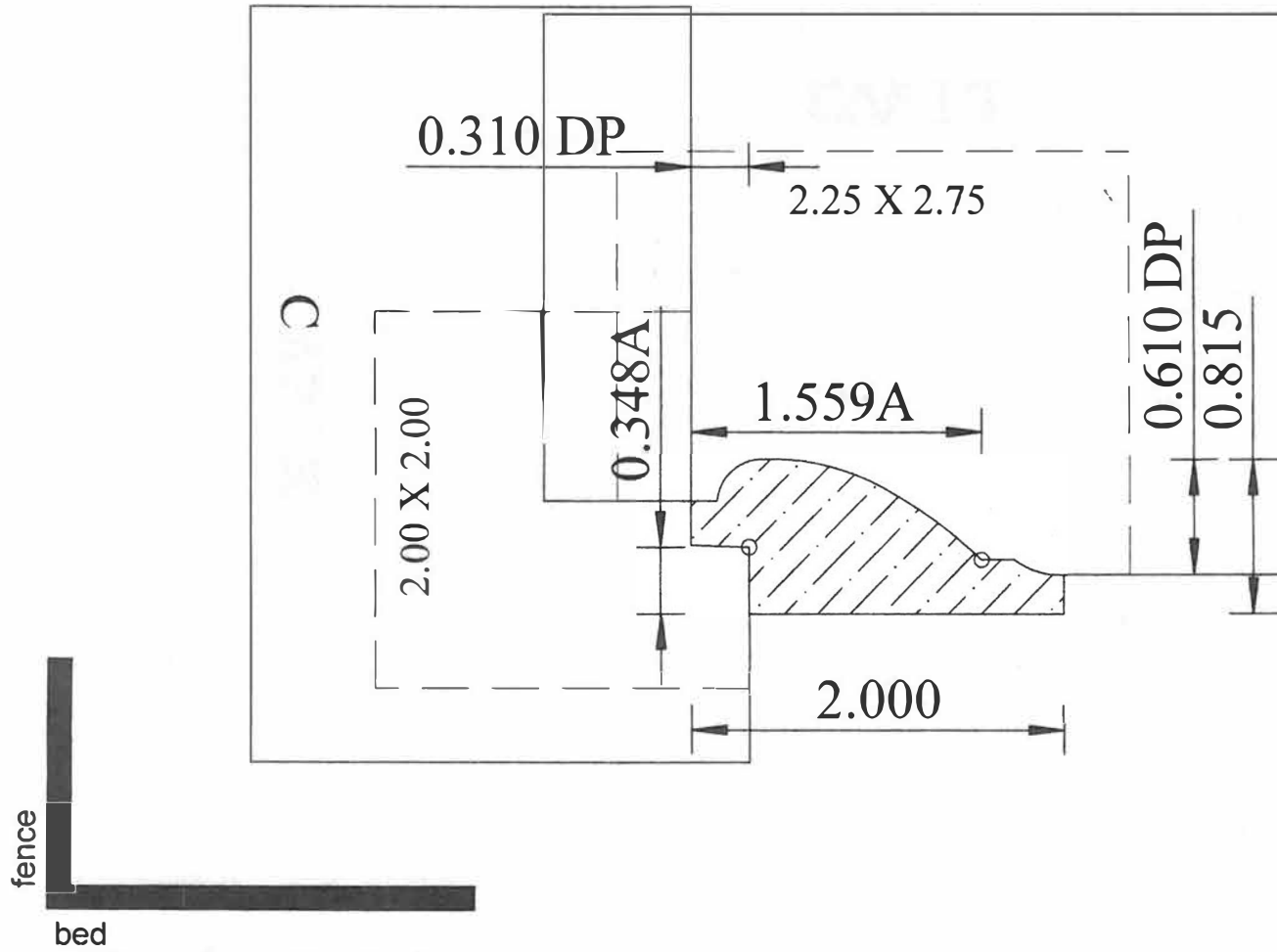
C-94



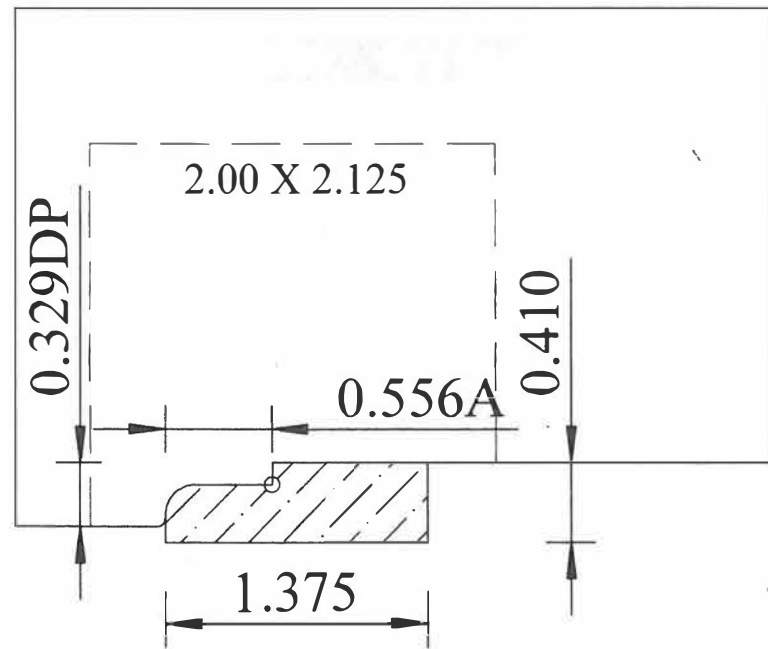
C-95



D-56



D-61



FENCE



- EST



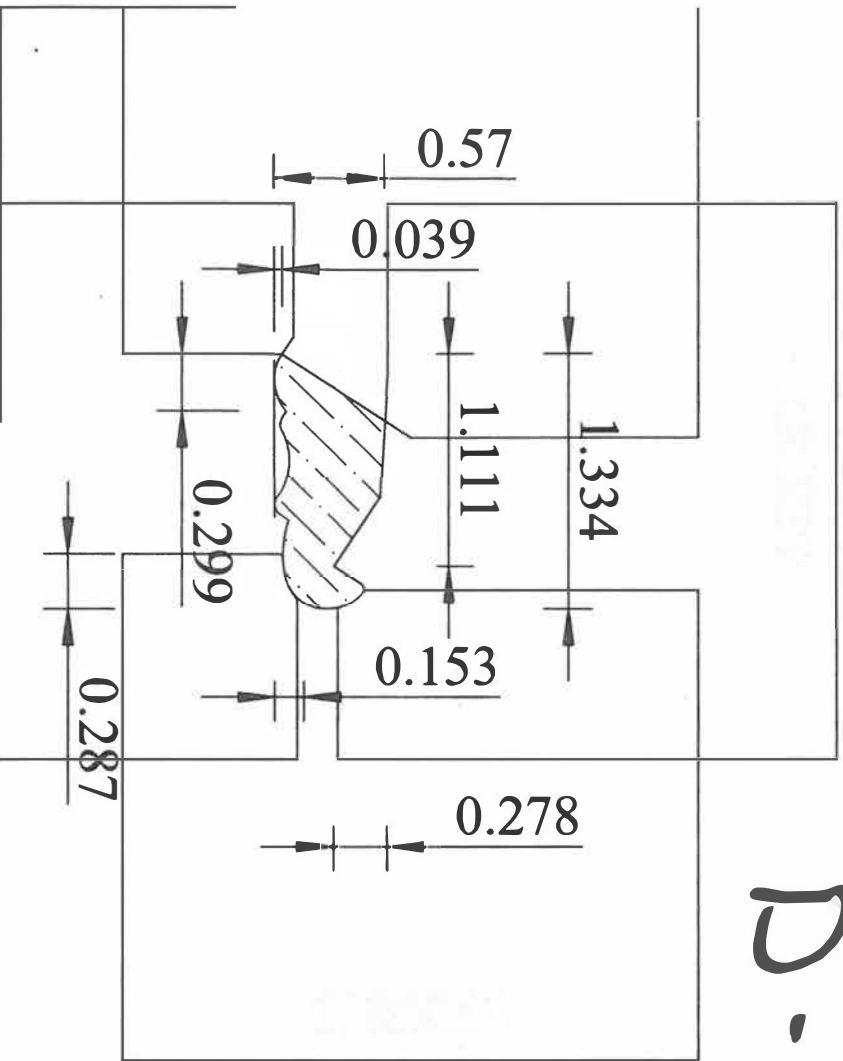
1938 -

# A. FILLINGER, INC.

MOULDING DIVISION

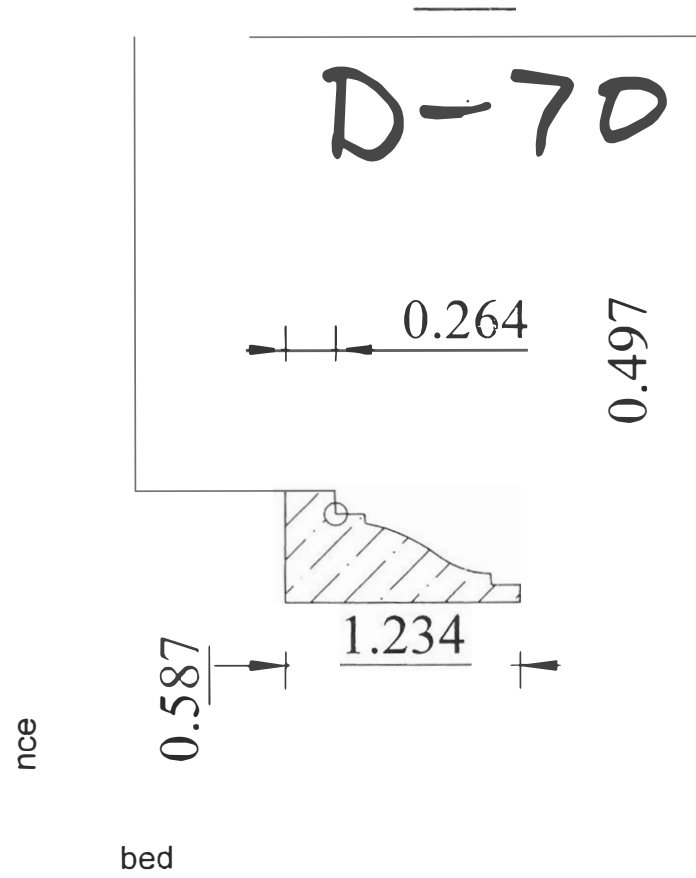
AXIAL #

D-67

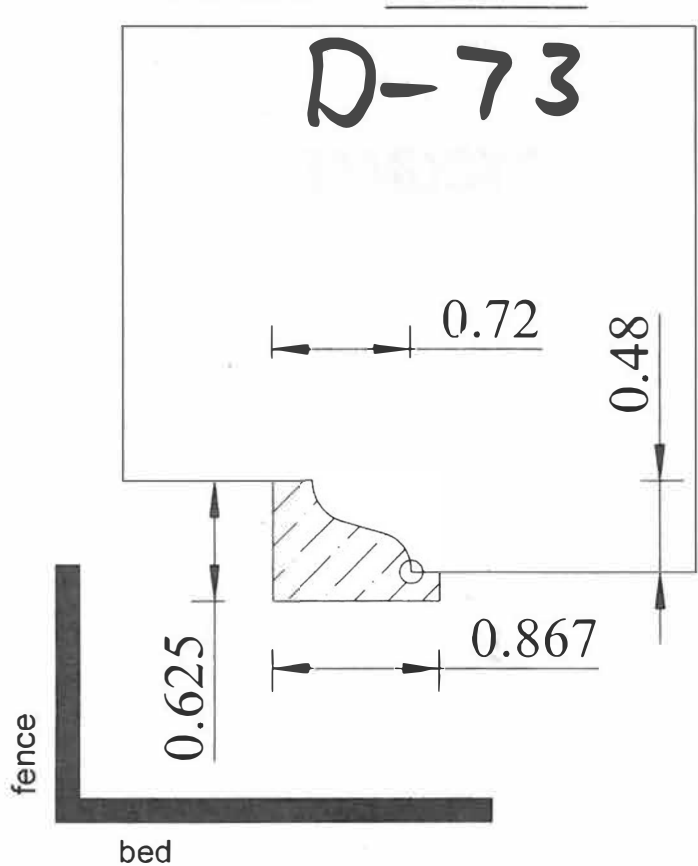


D-67

D-70

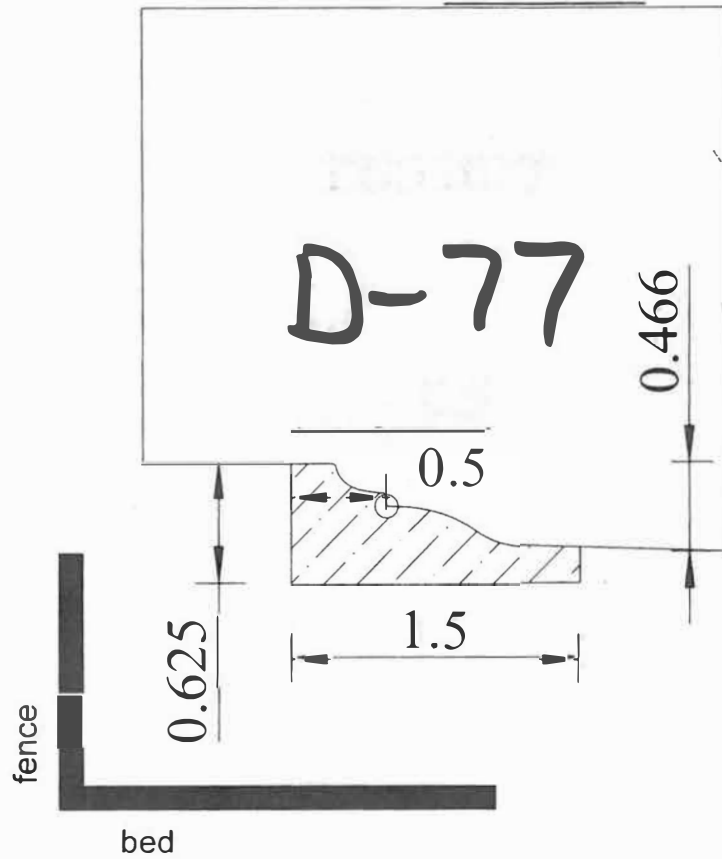


D-73

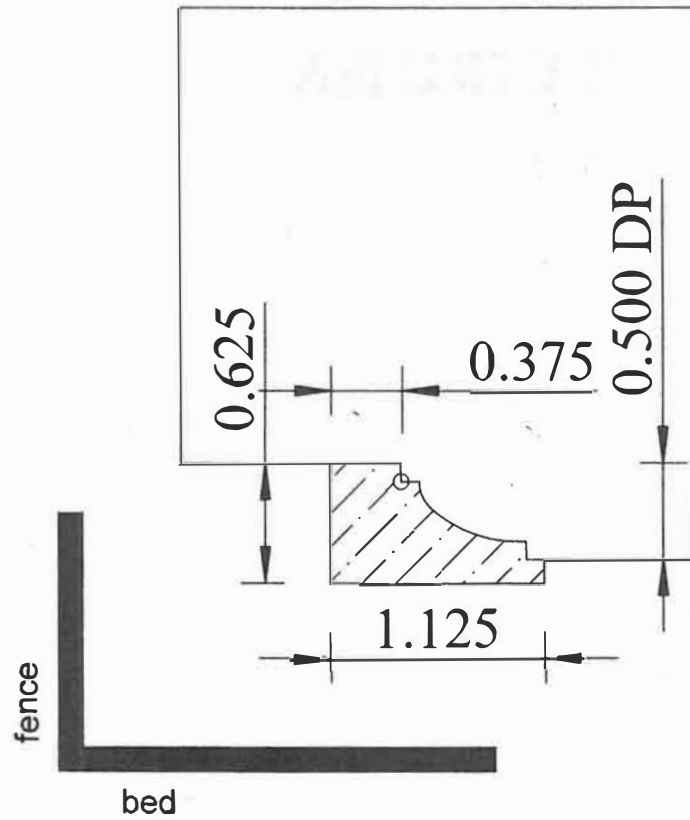




D-77

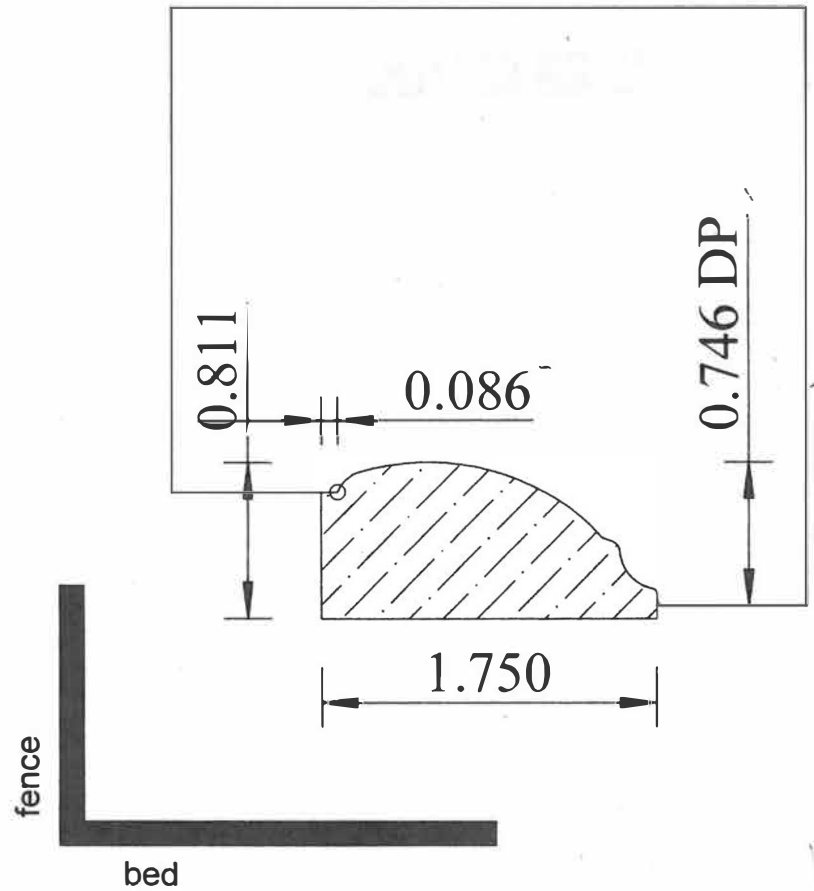


D-82





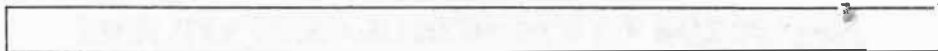
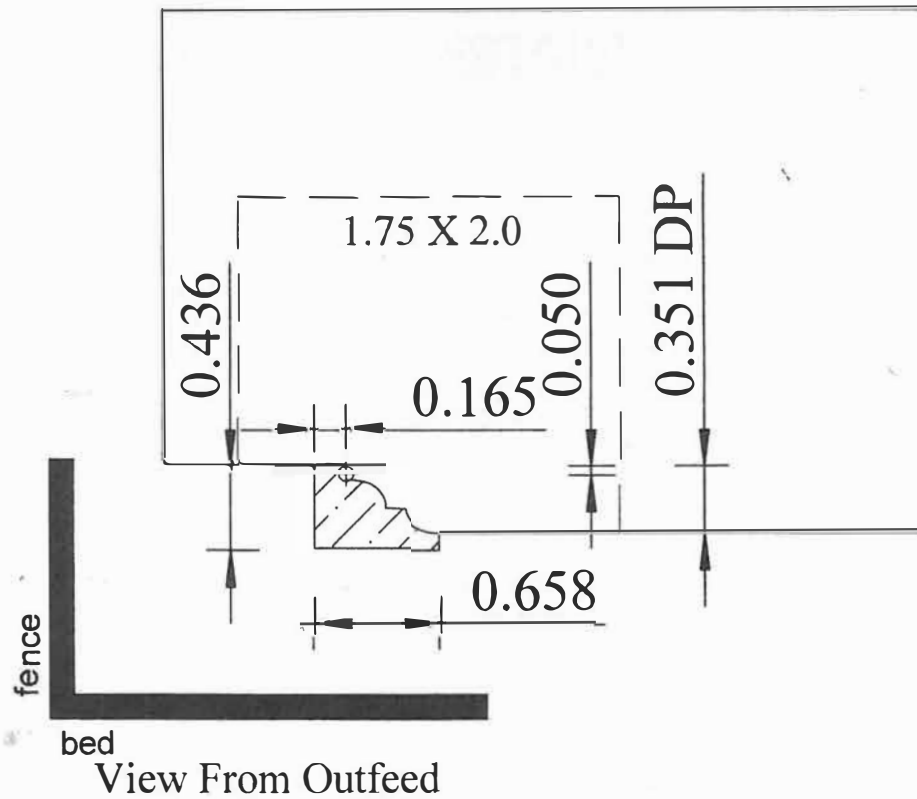
D-85



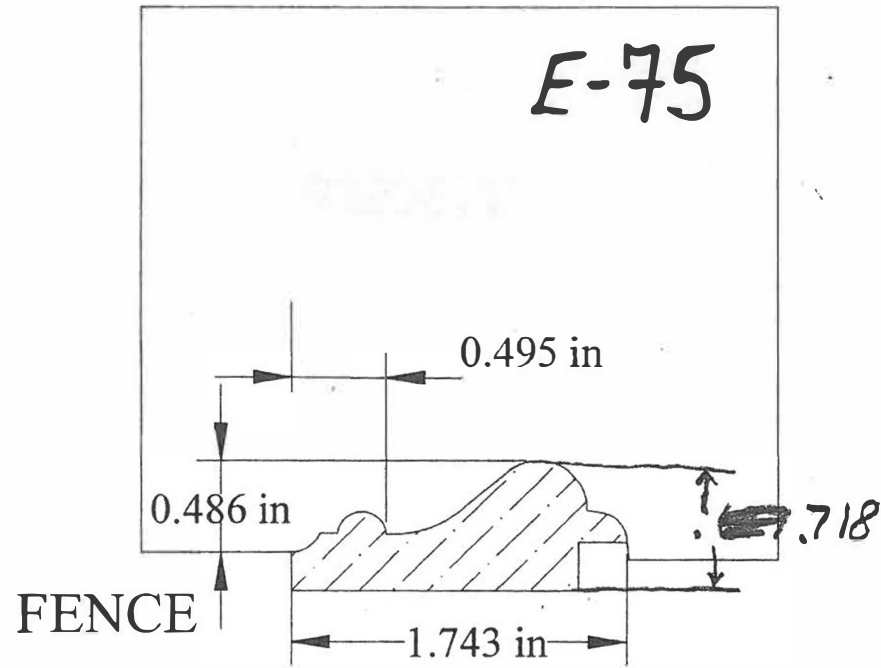
D-85



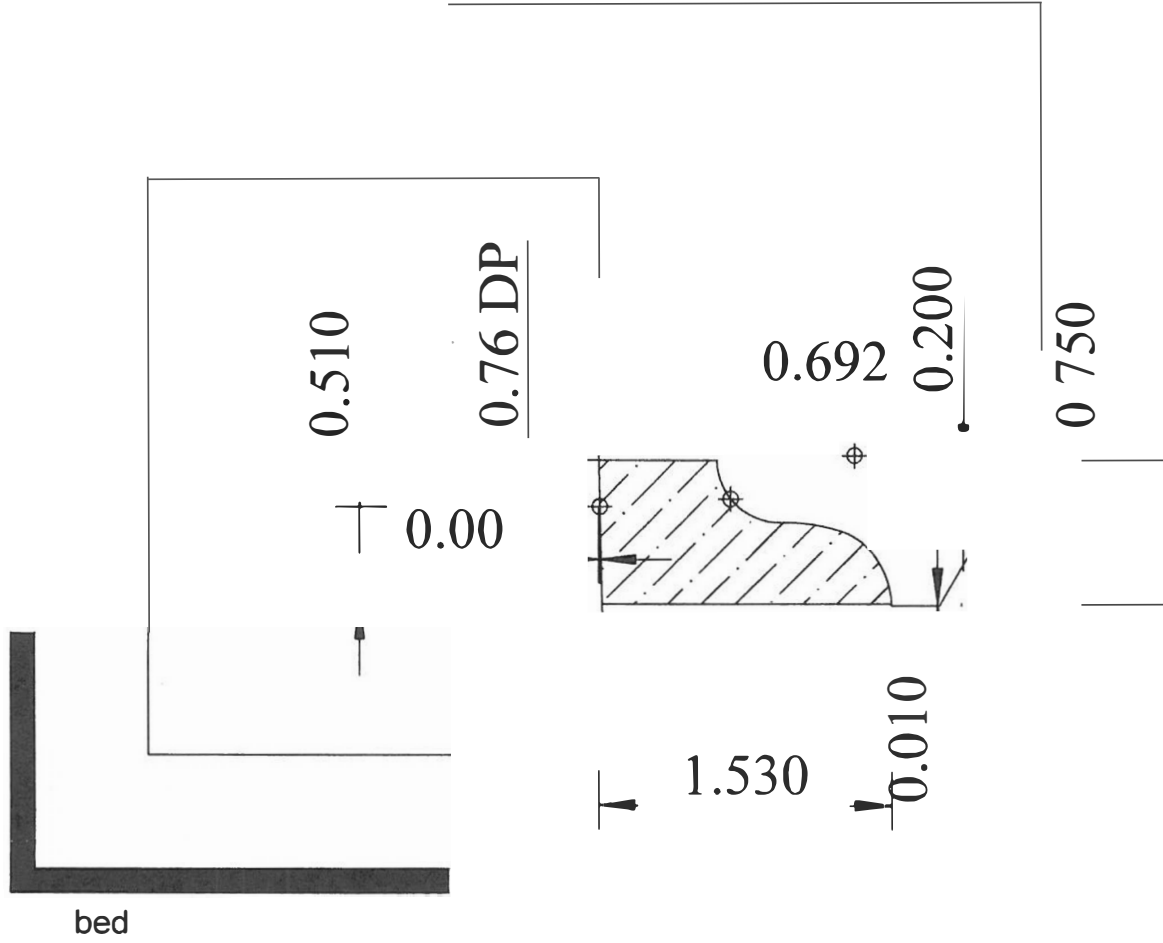
D-96



E-75

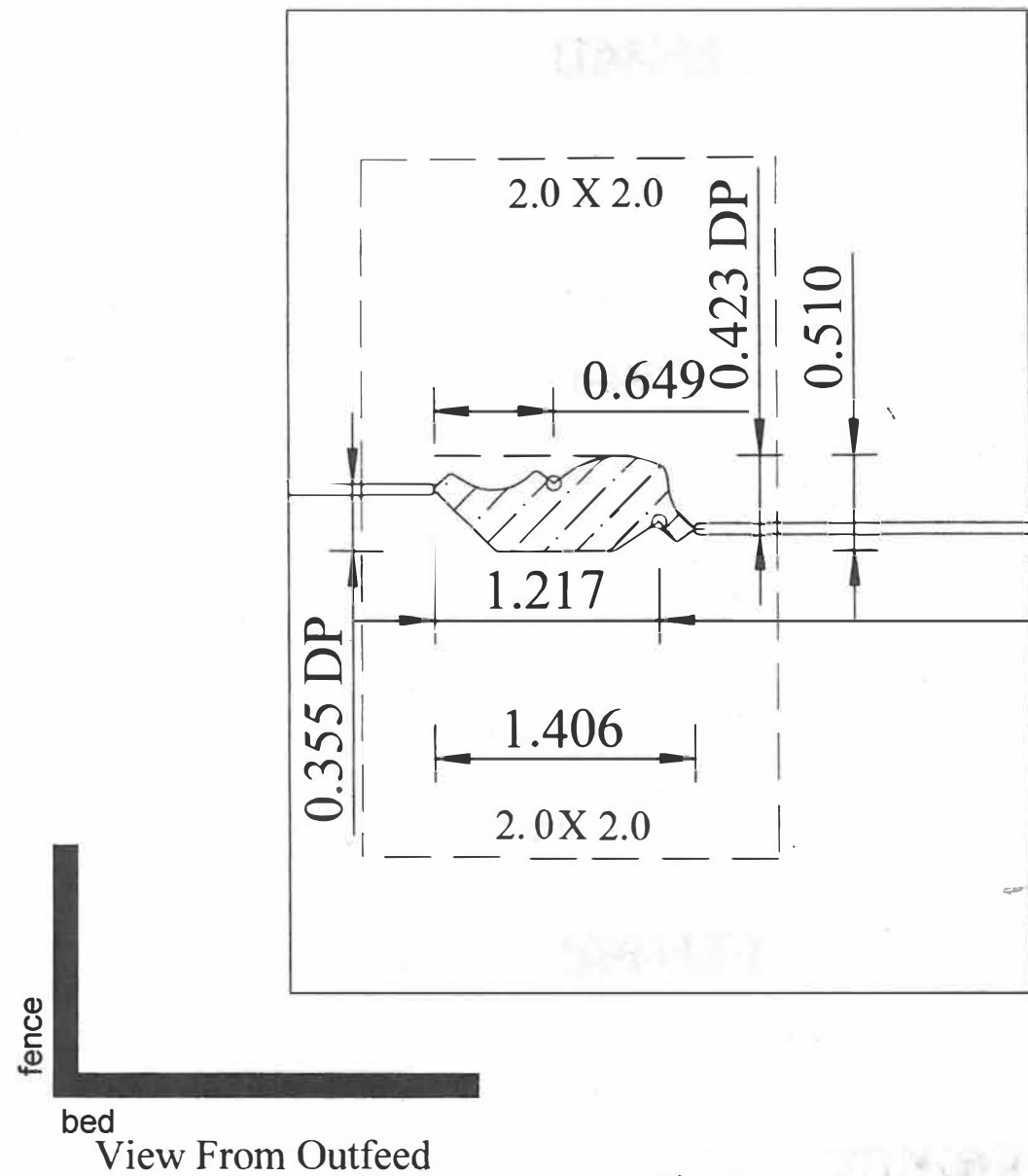


E-81

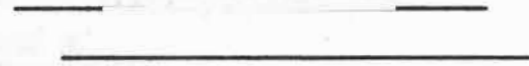
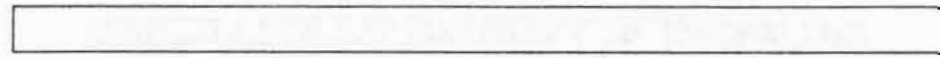
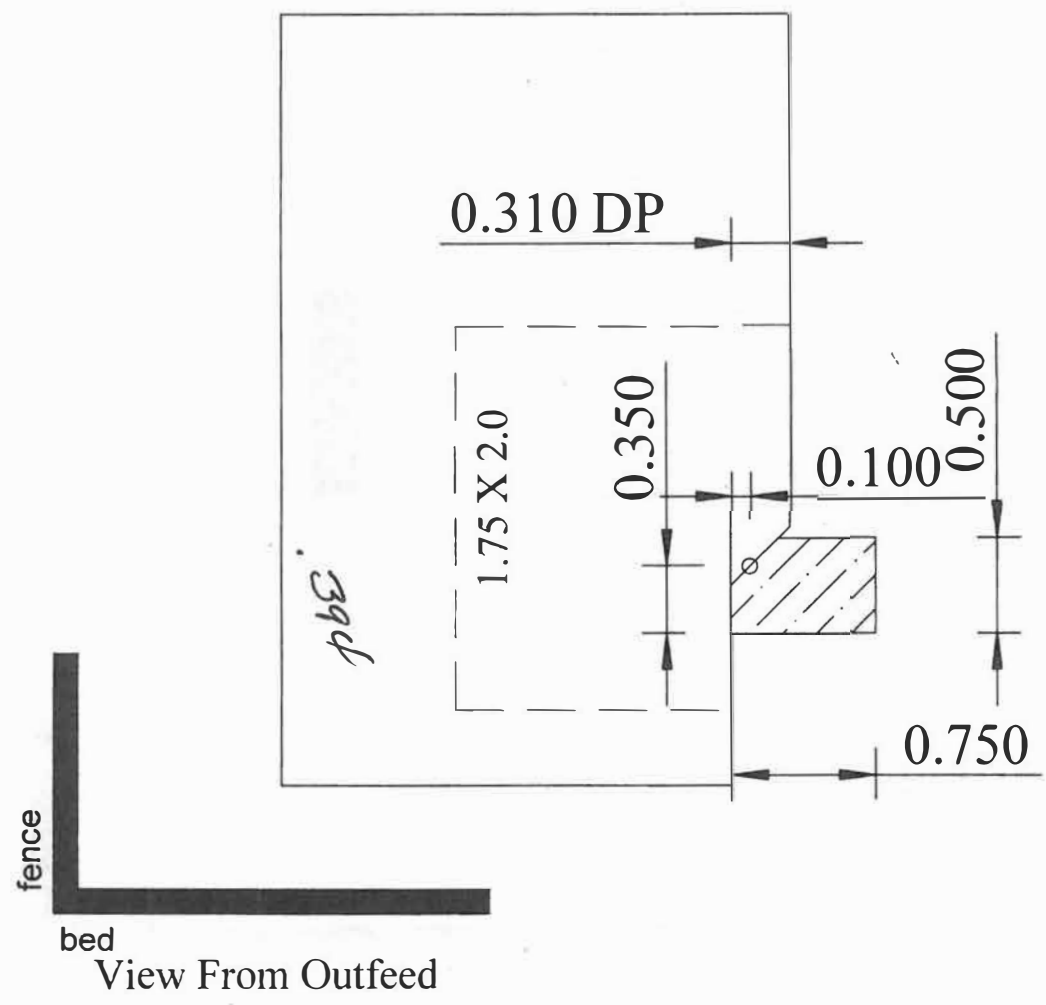


]

E-94

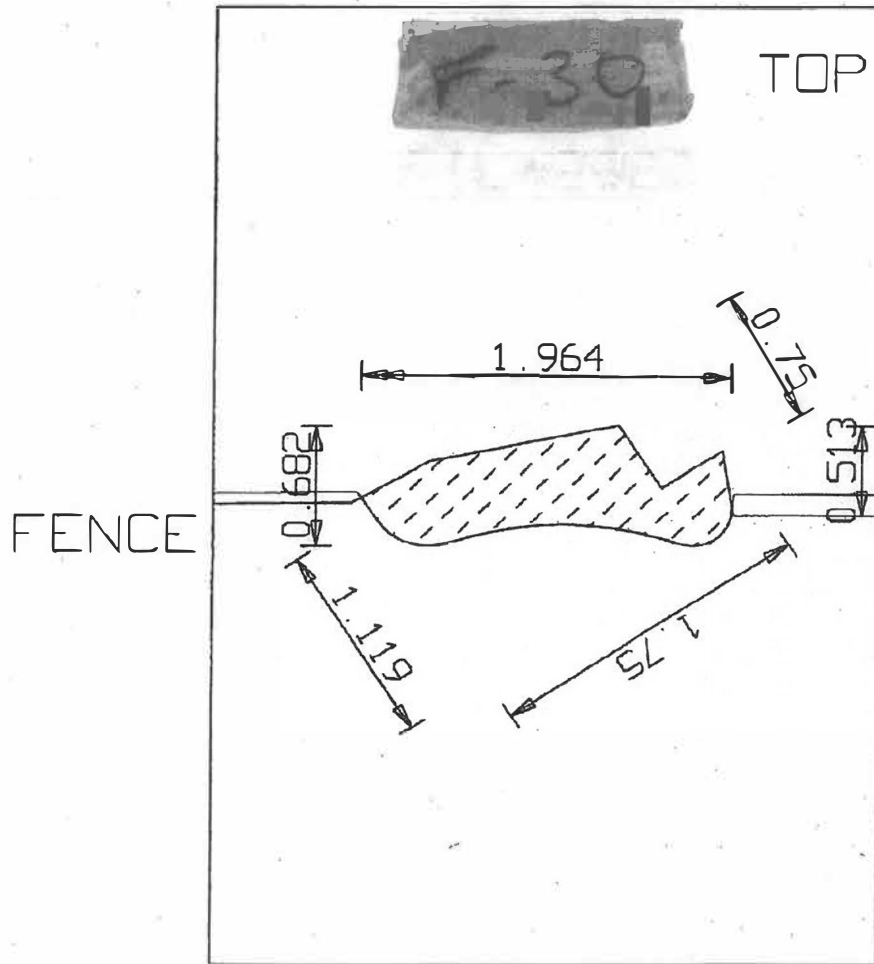


E-95





# F 30



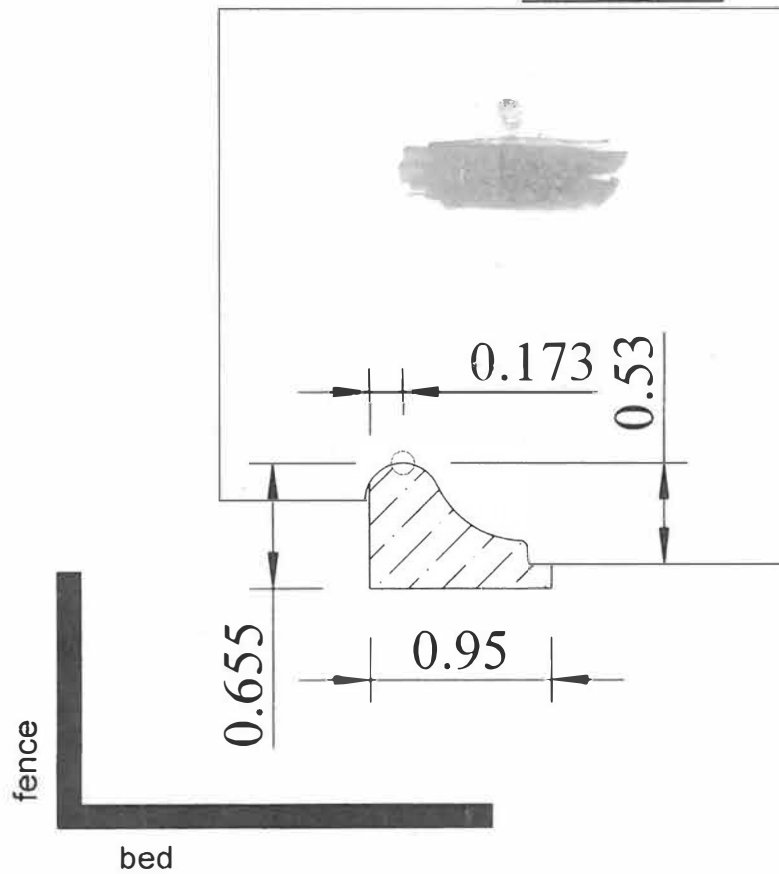
*Sub Top  
Arch*

*Last + Bottom  
Head*

~~0.513~~

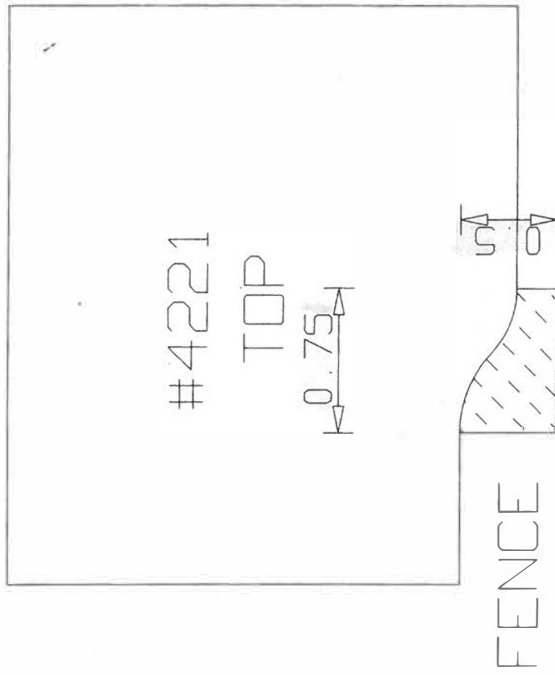
AXIAL #

F 50



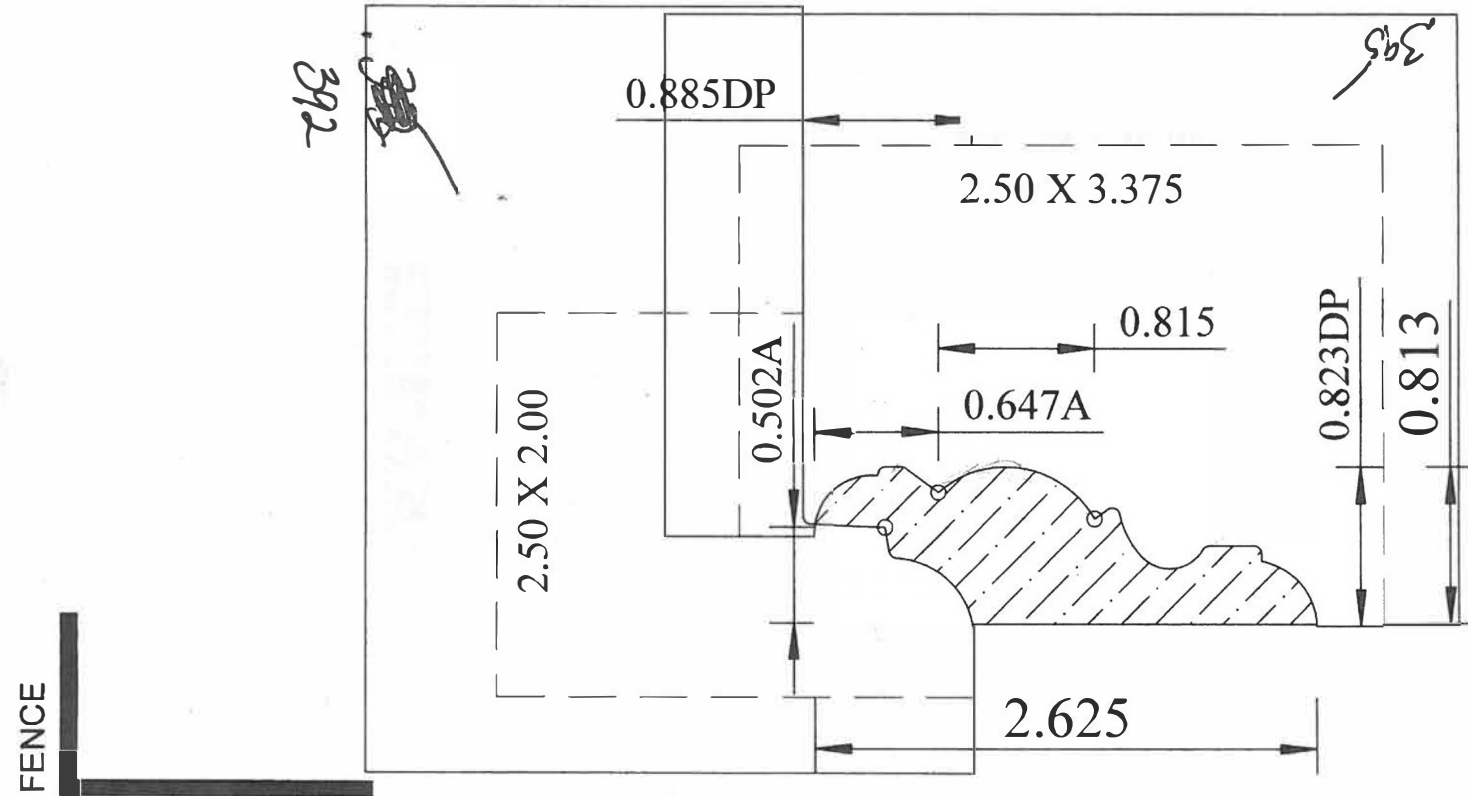
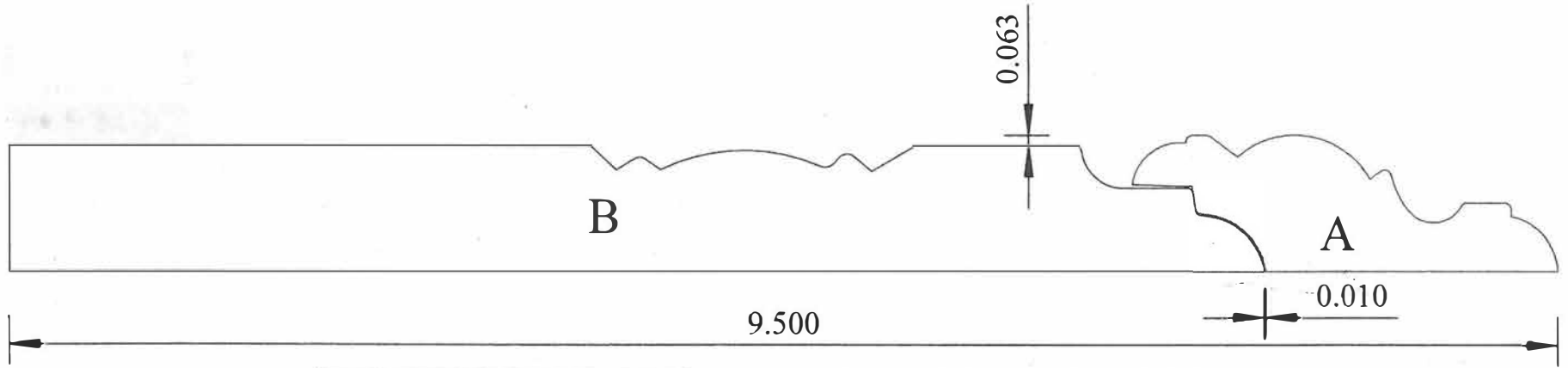
BASE CAP

IN F-LAB

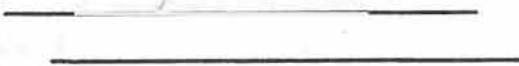
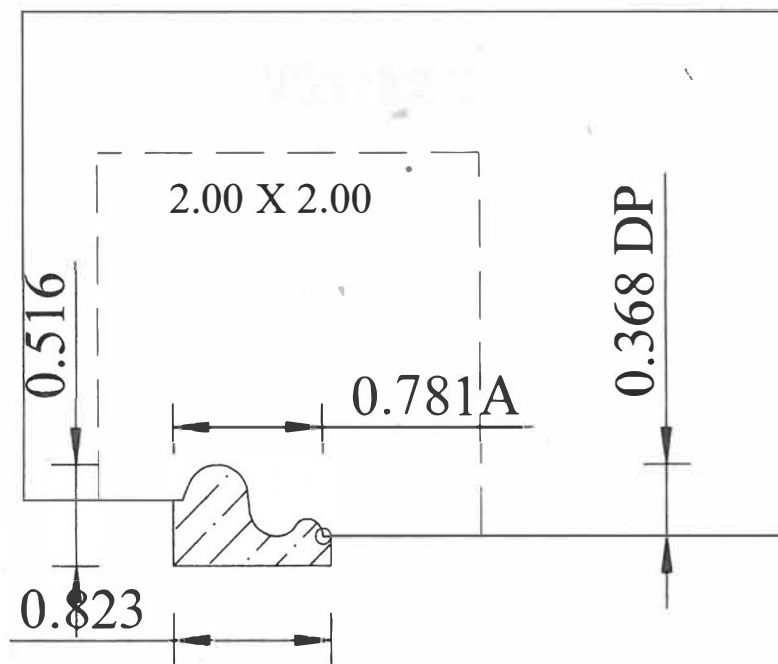
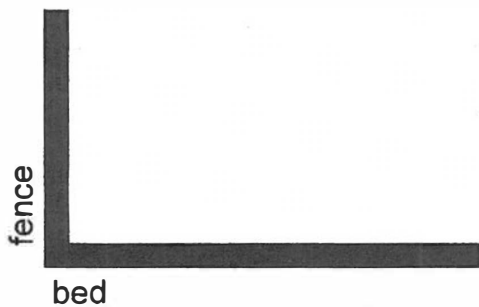


BASE Cap

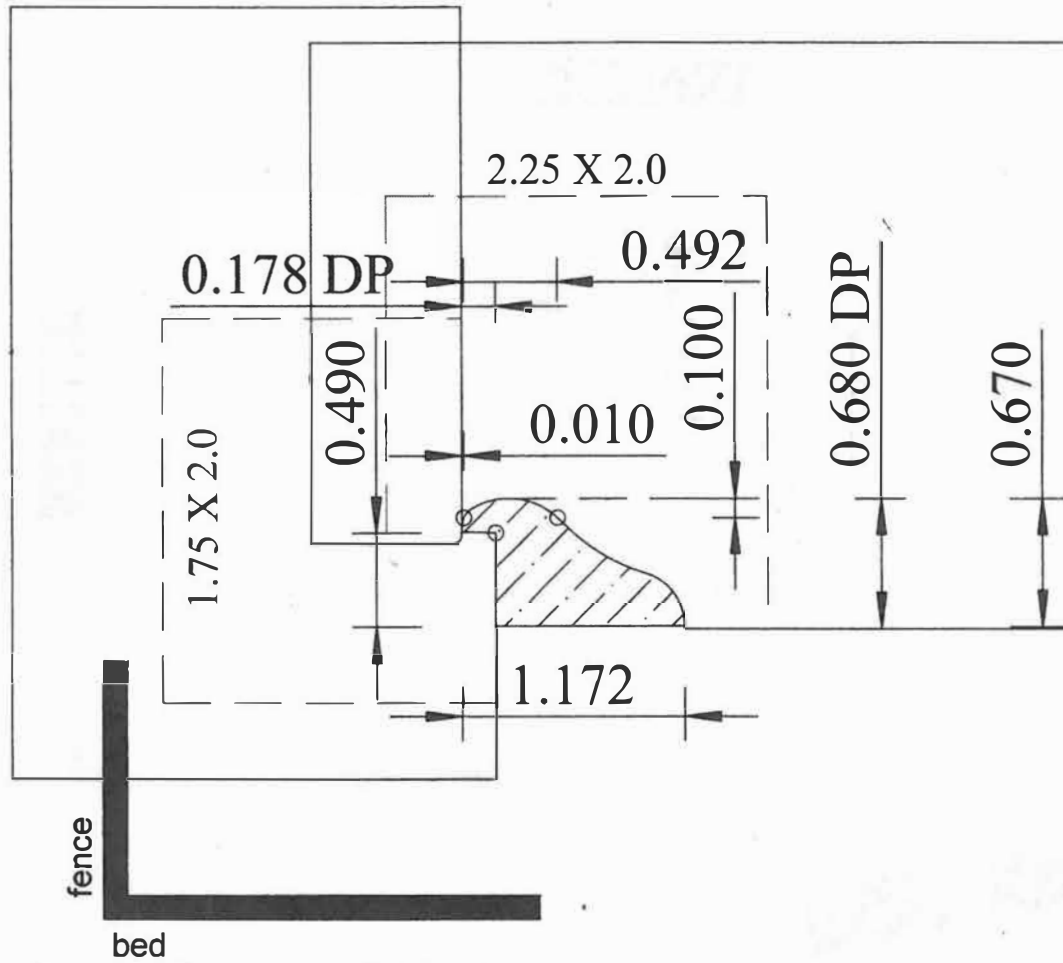
F-55



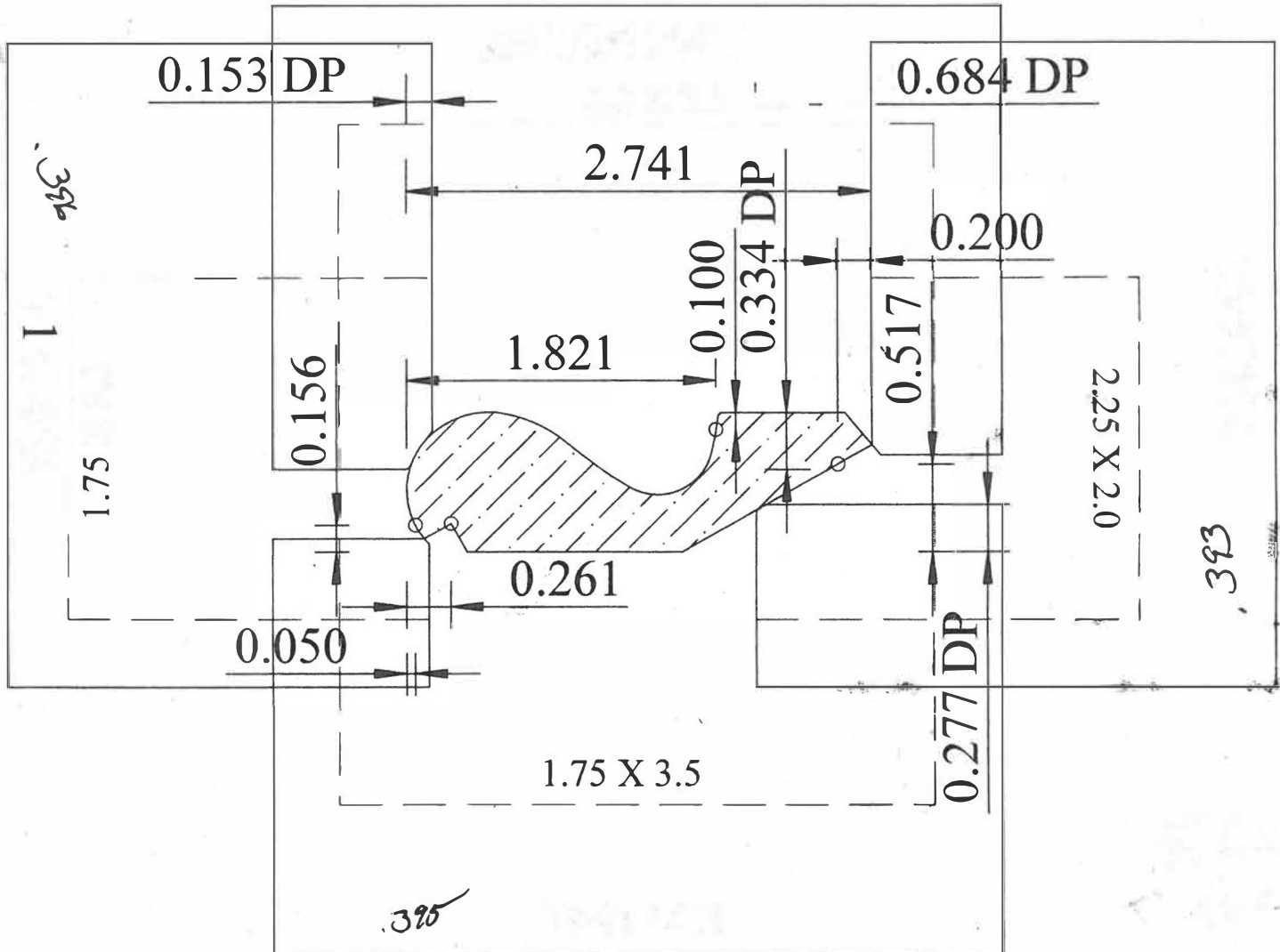
F-57



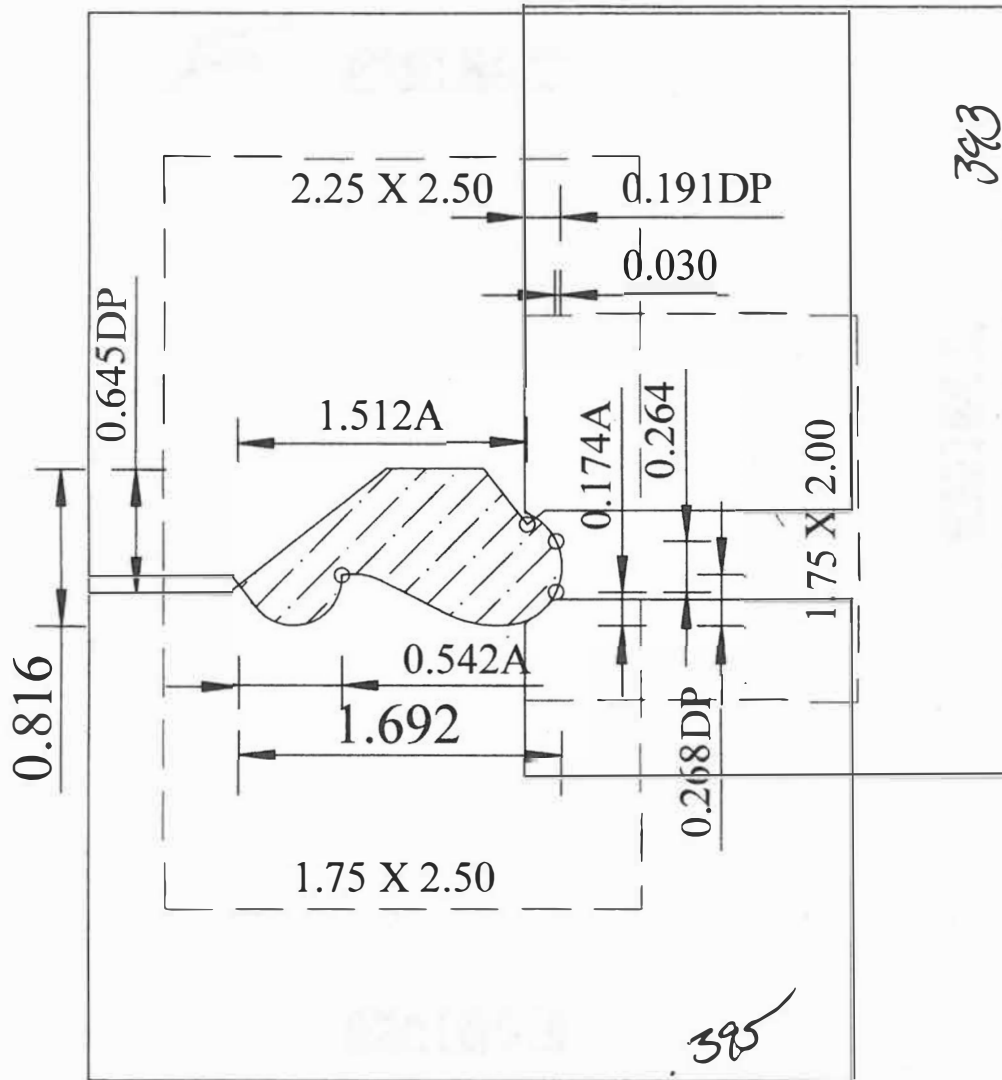
F-79



F-82



G-54



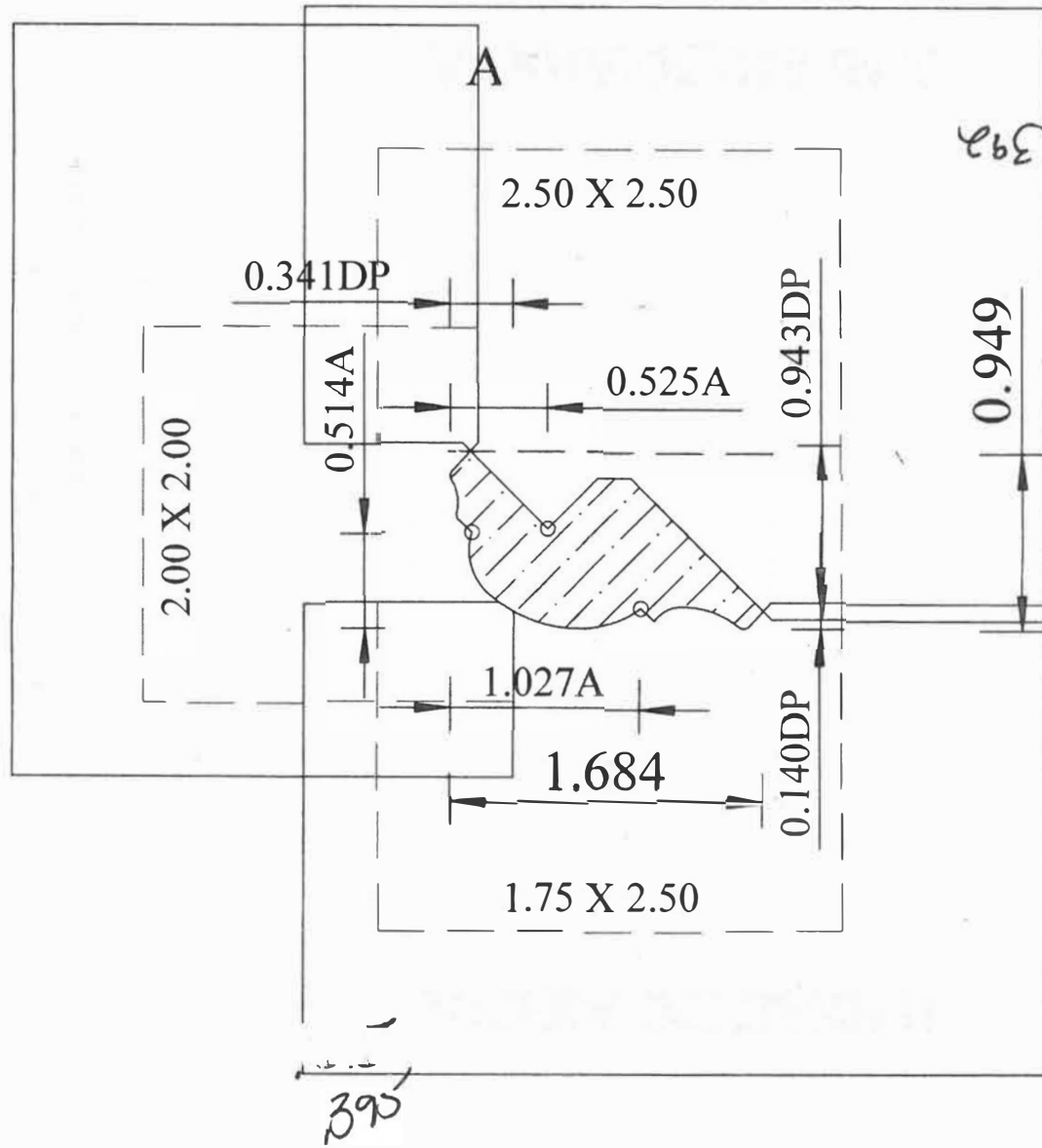
FENCE

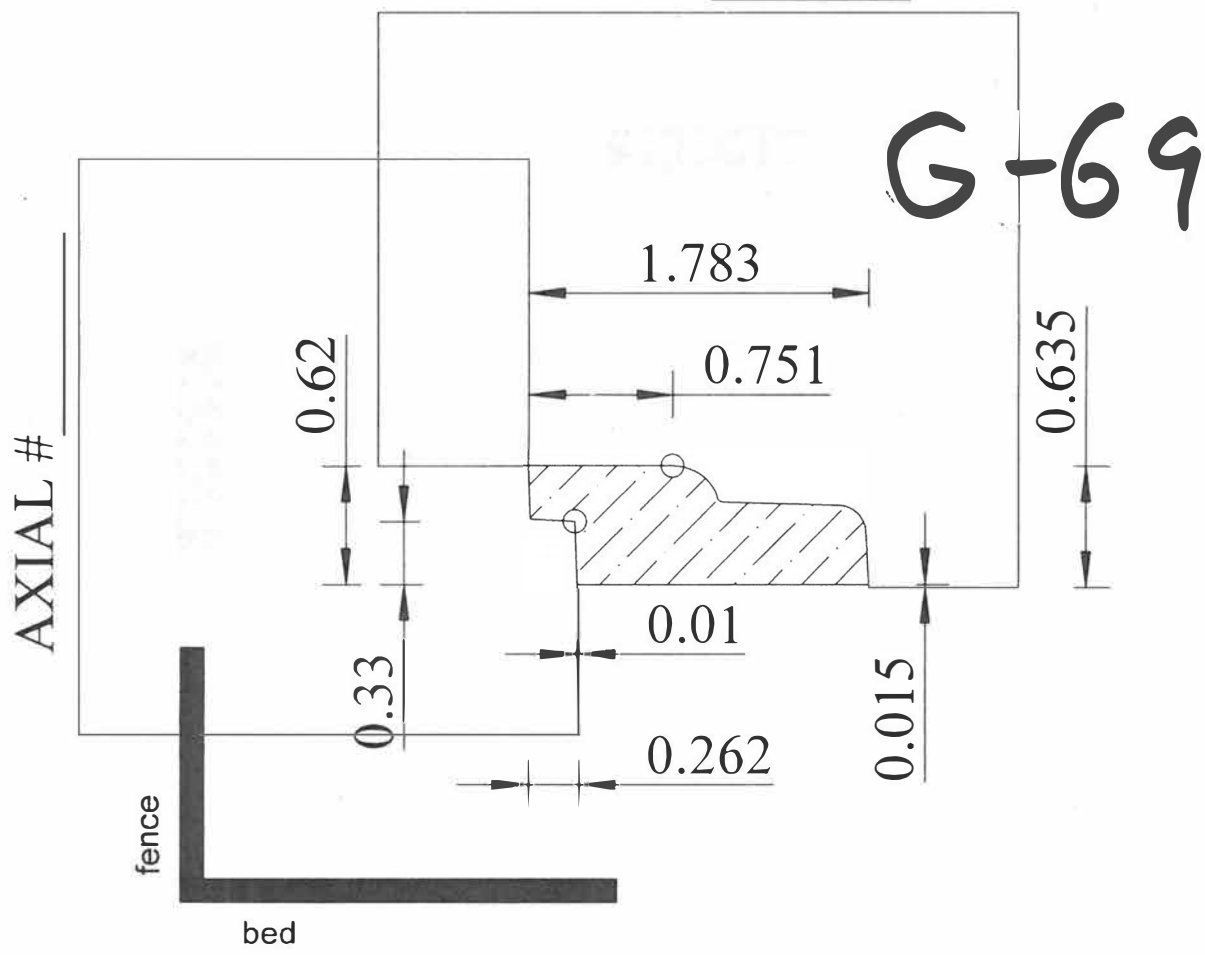
C.

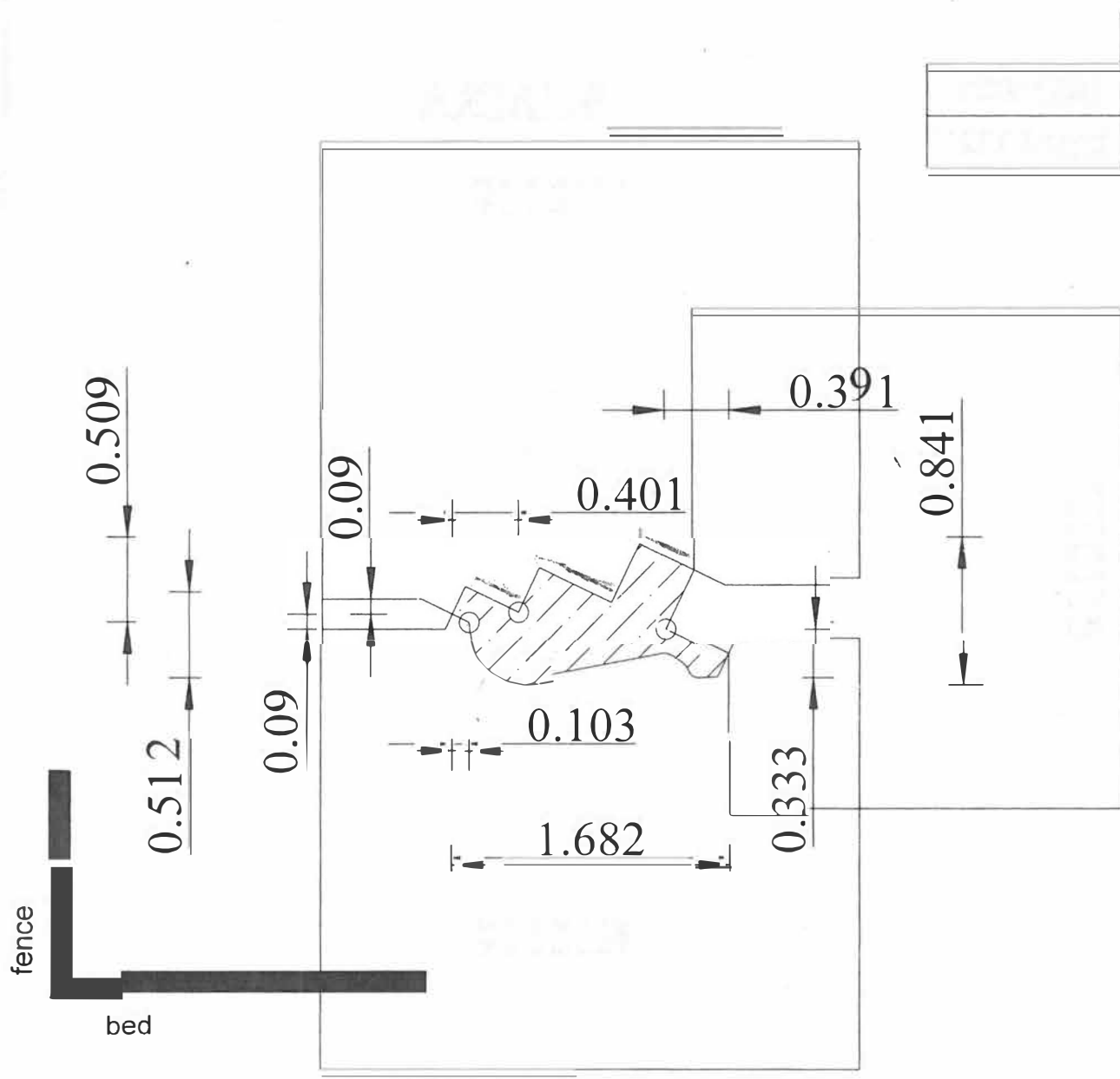


455

FENCE





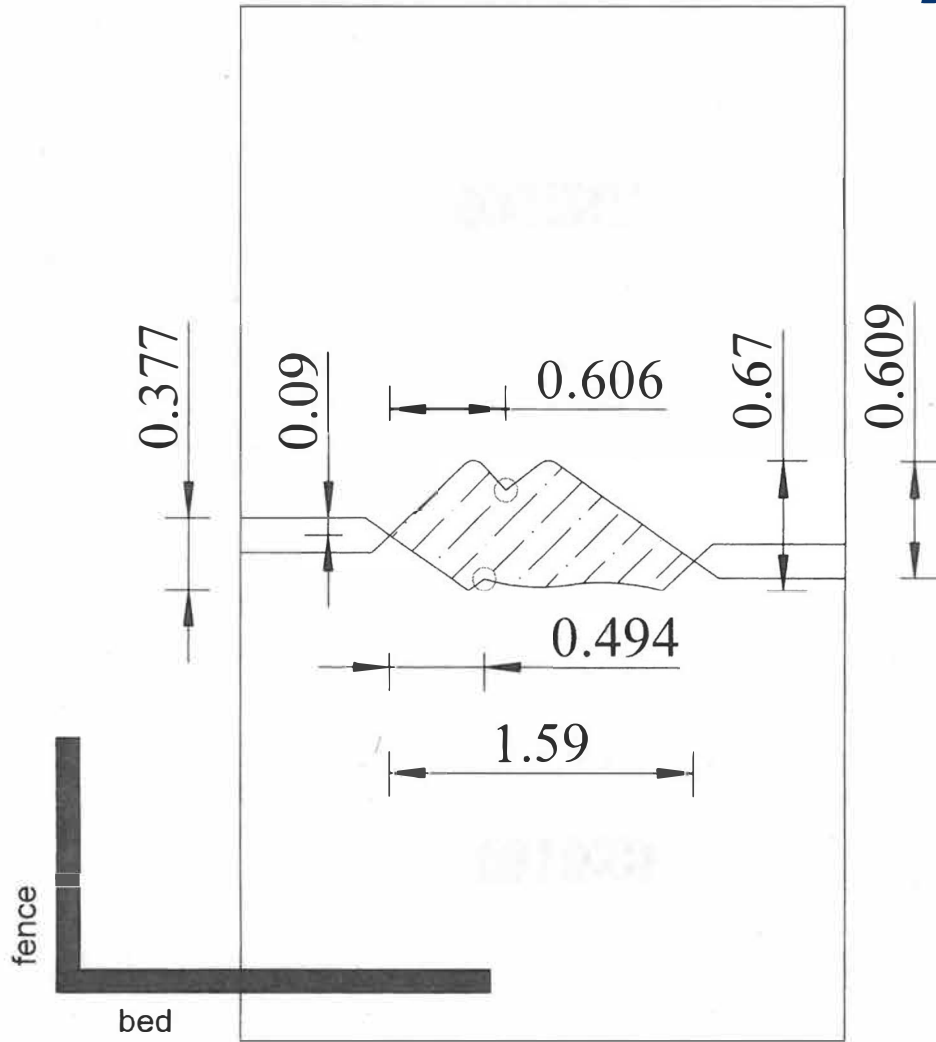


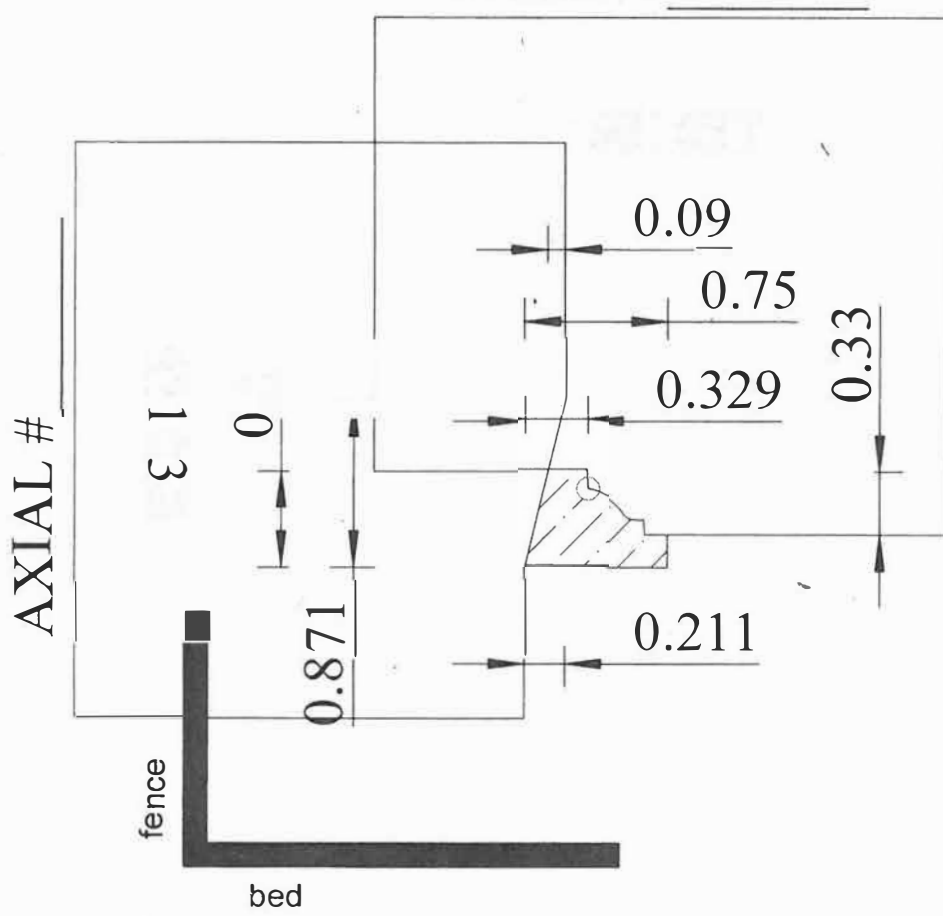

G-70

AXIAL #



G-74

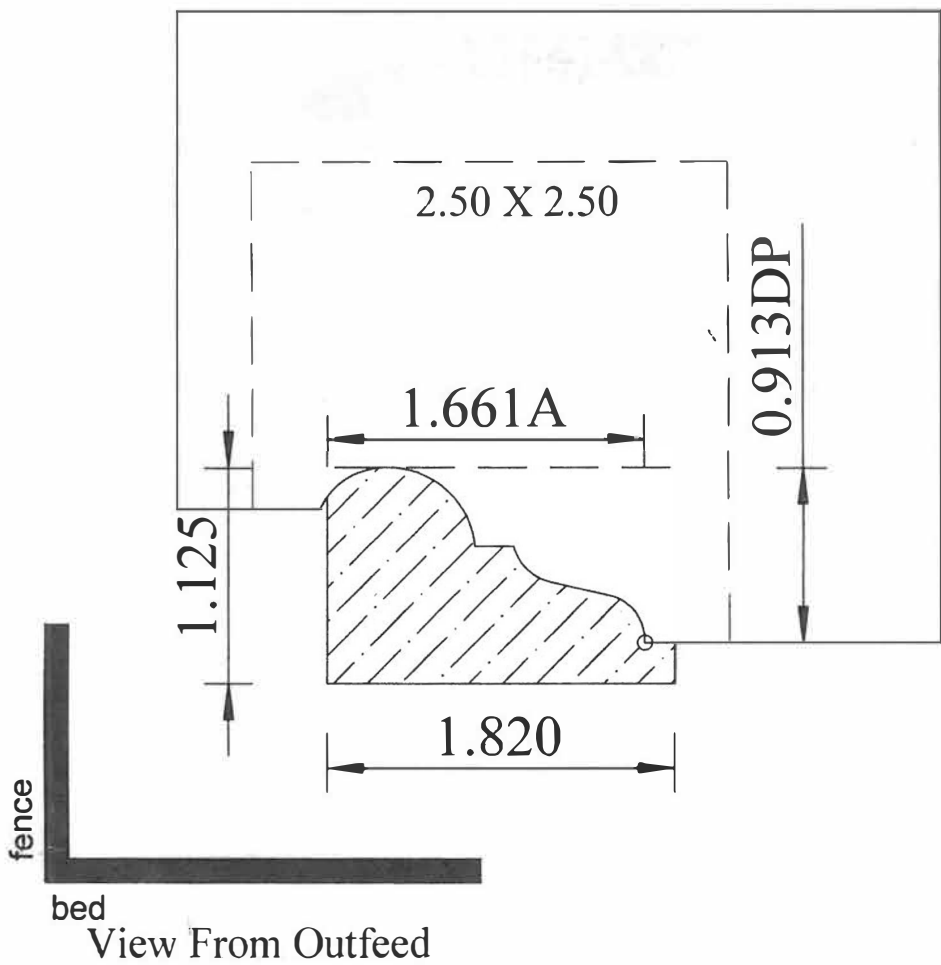




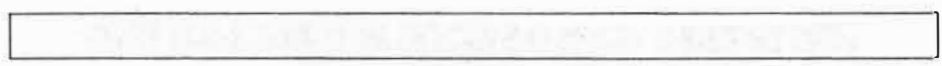
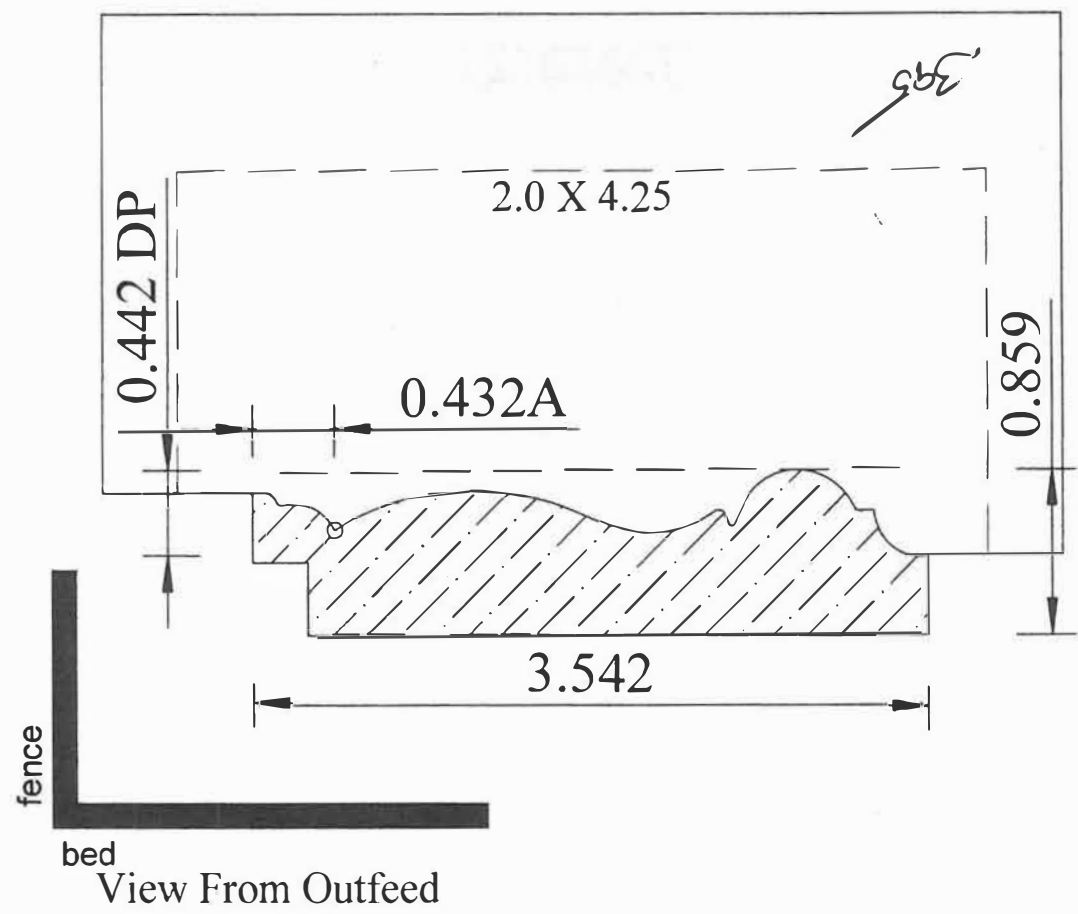
	0.09	0.33
0.75	0.329	0.211
0.871	0	

G-78

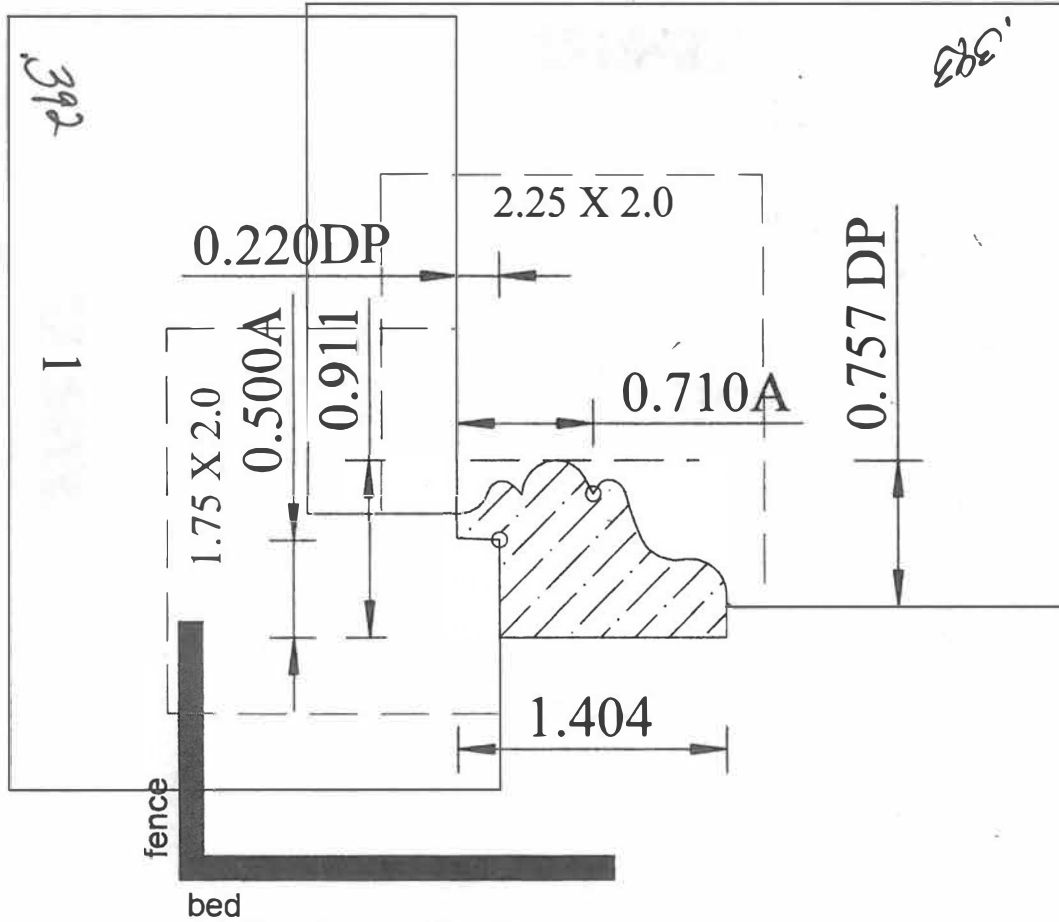
G-84



G-90

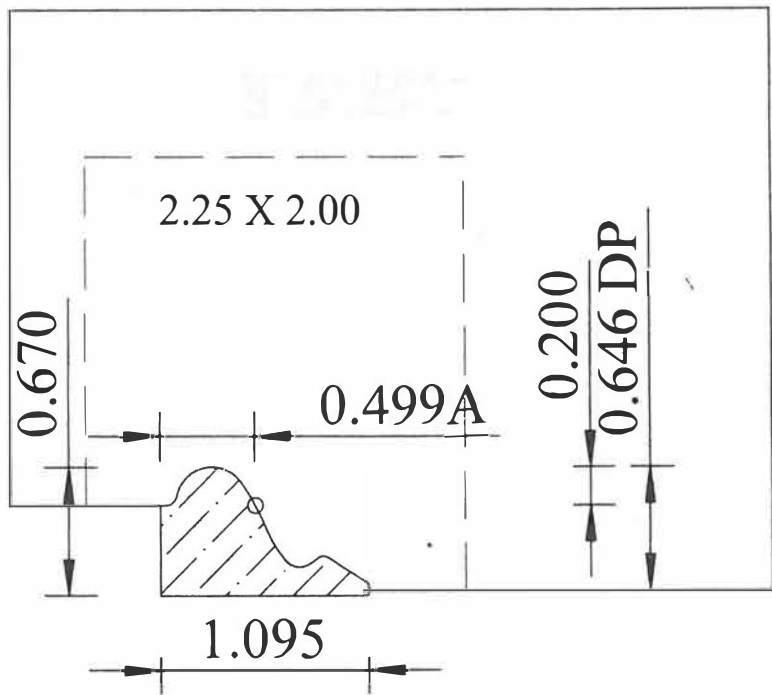


G-93





H-53

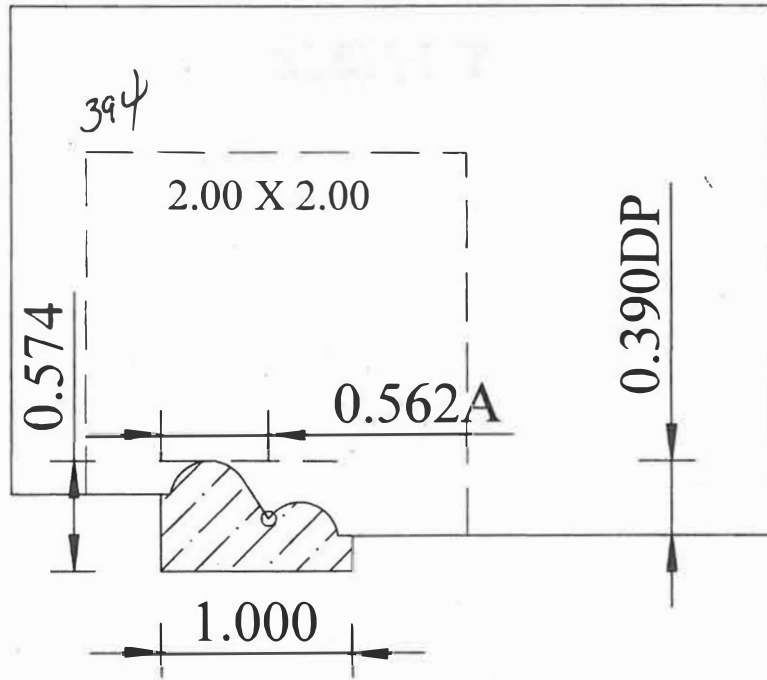


fence

bed



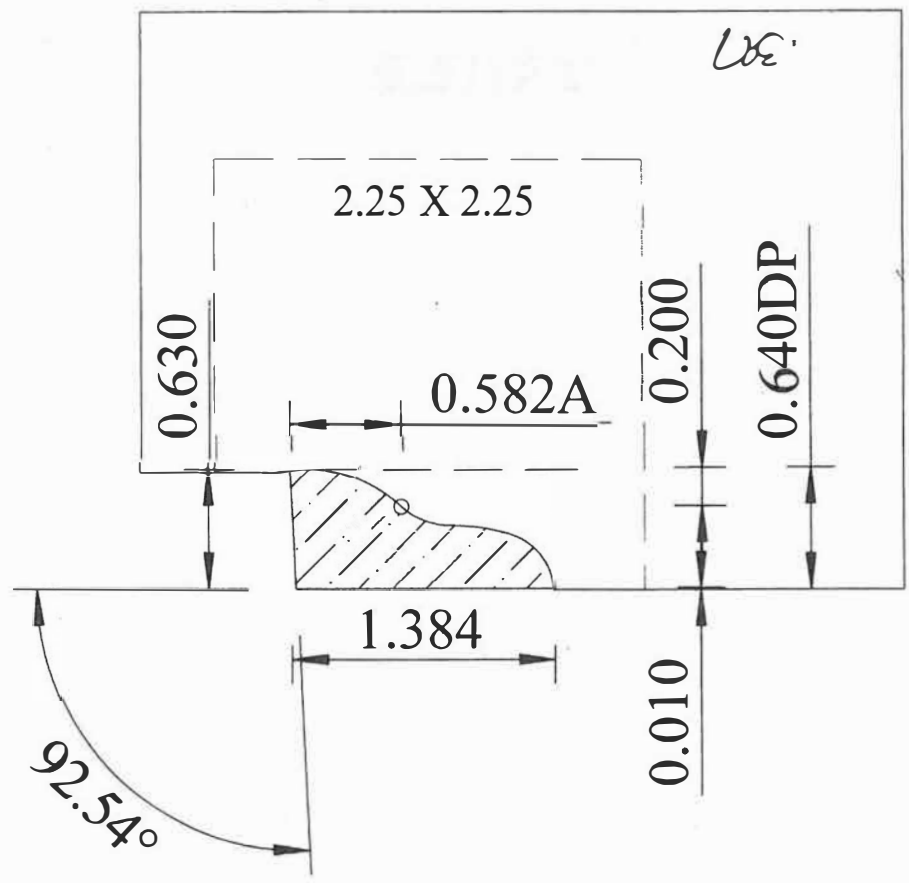
H-70



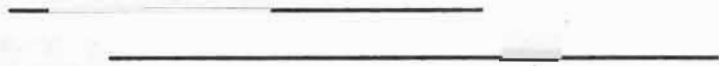
CE



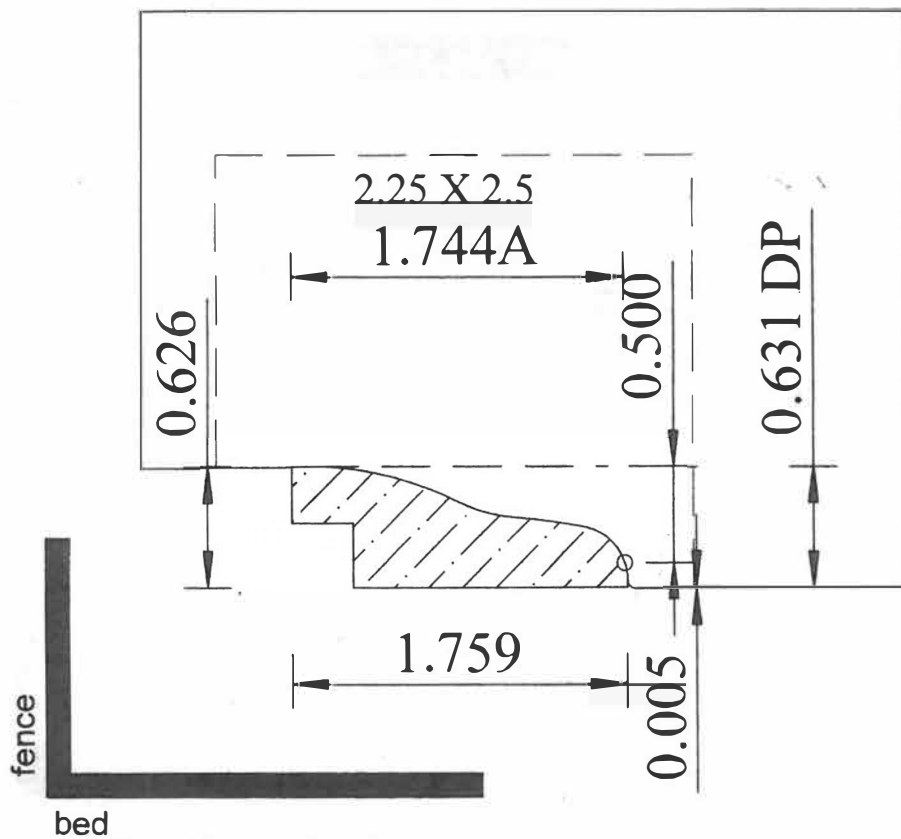
H-71



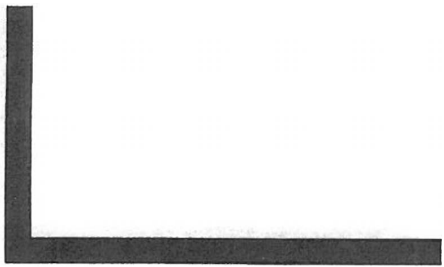
FENCE



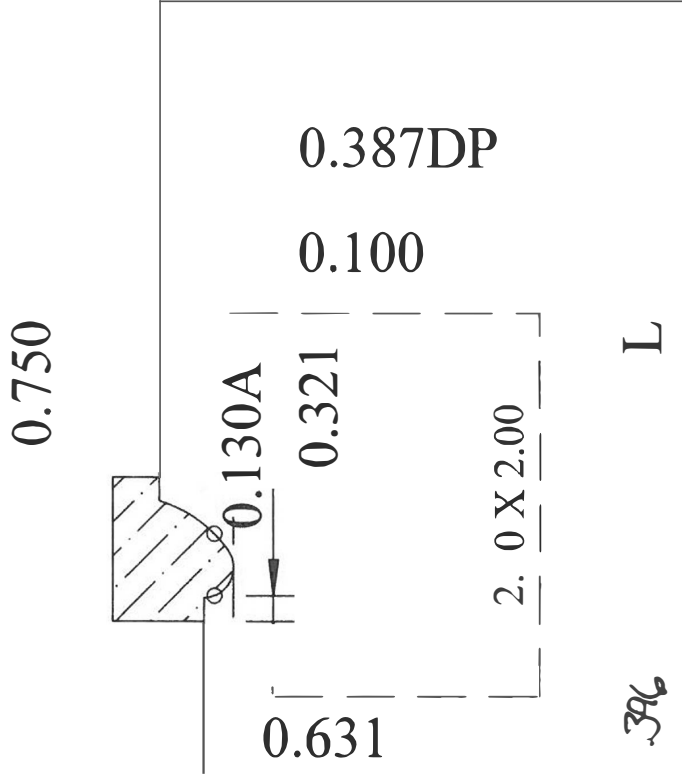
H-81



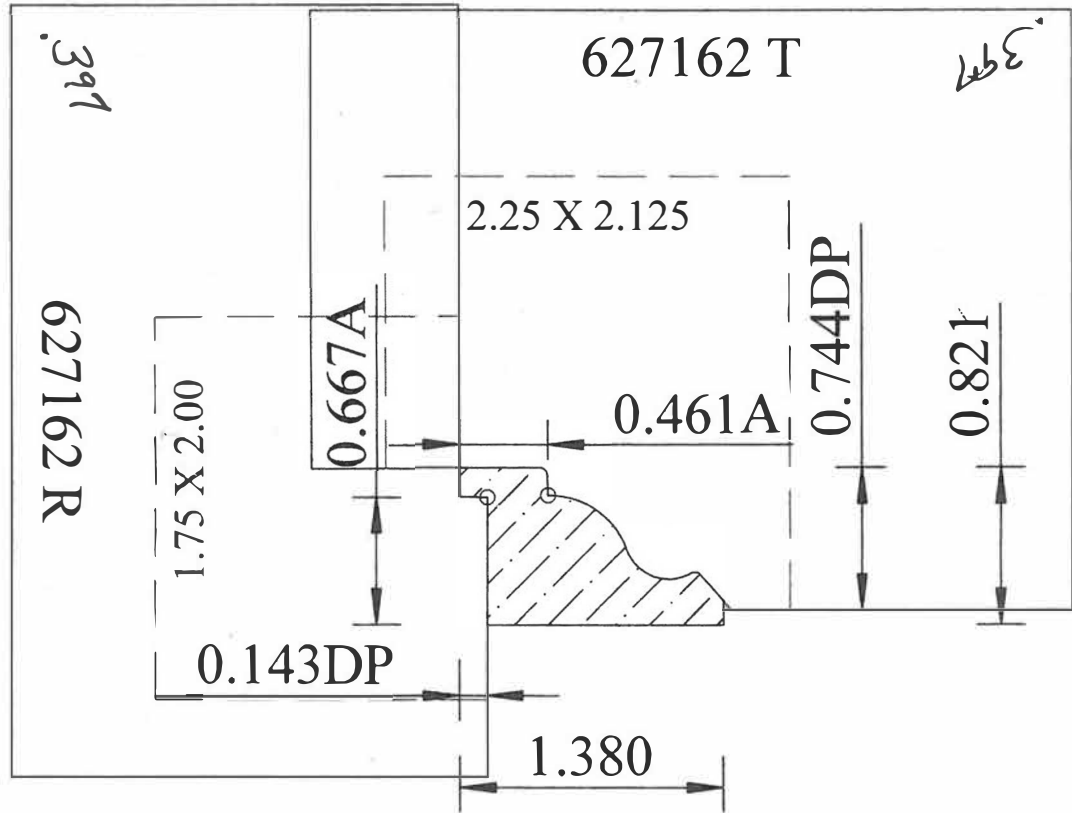
I-71



bed

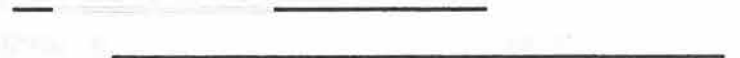
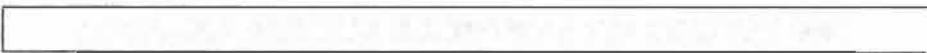


I-77

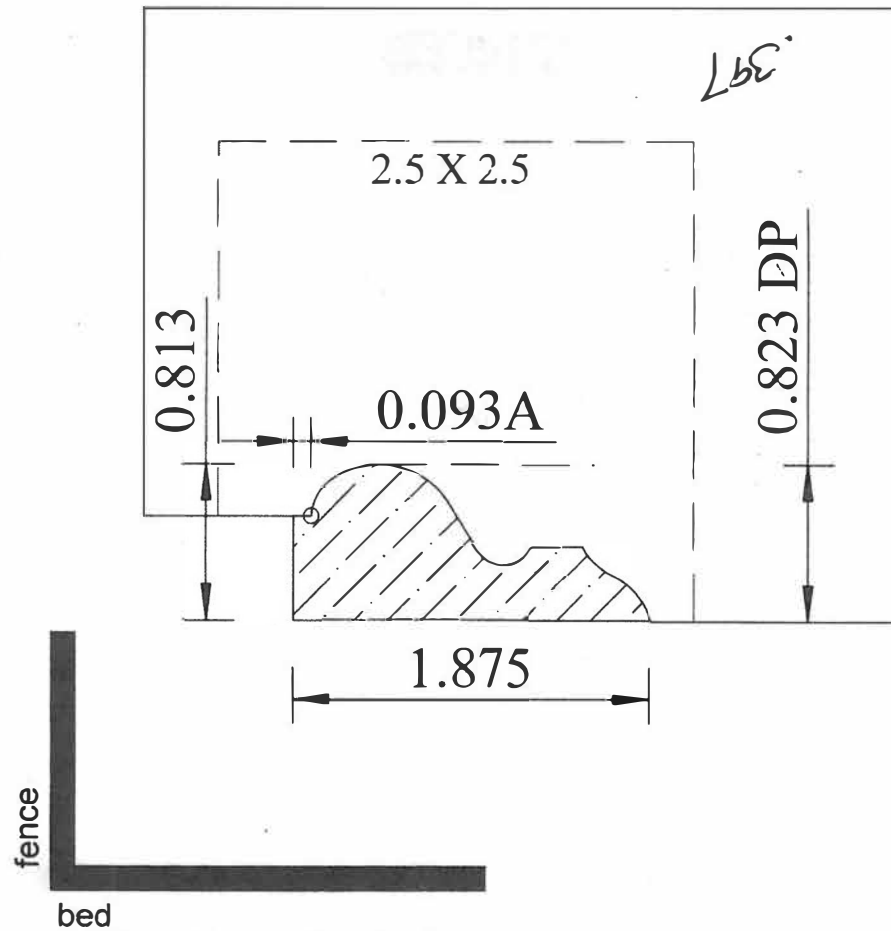


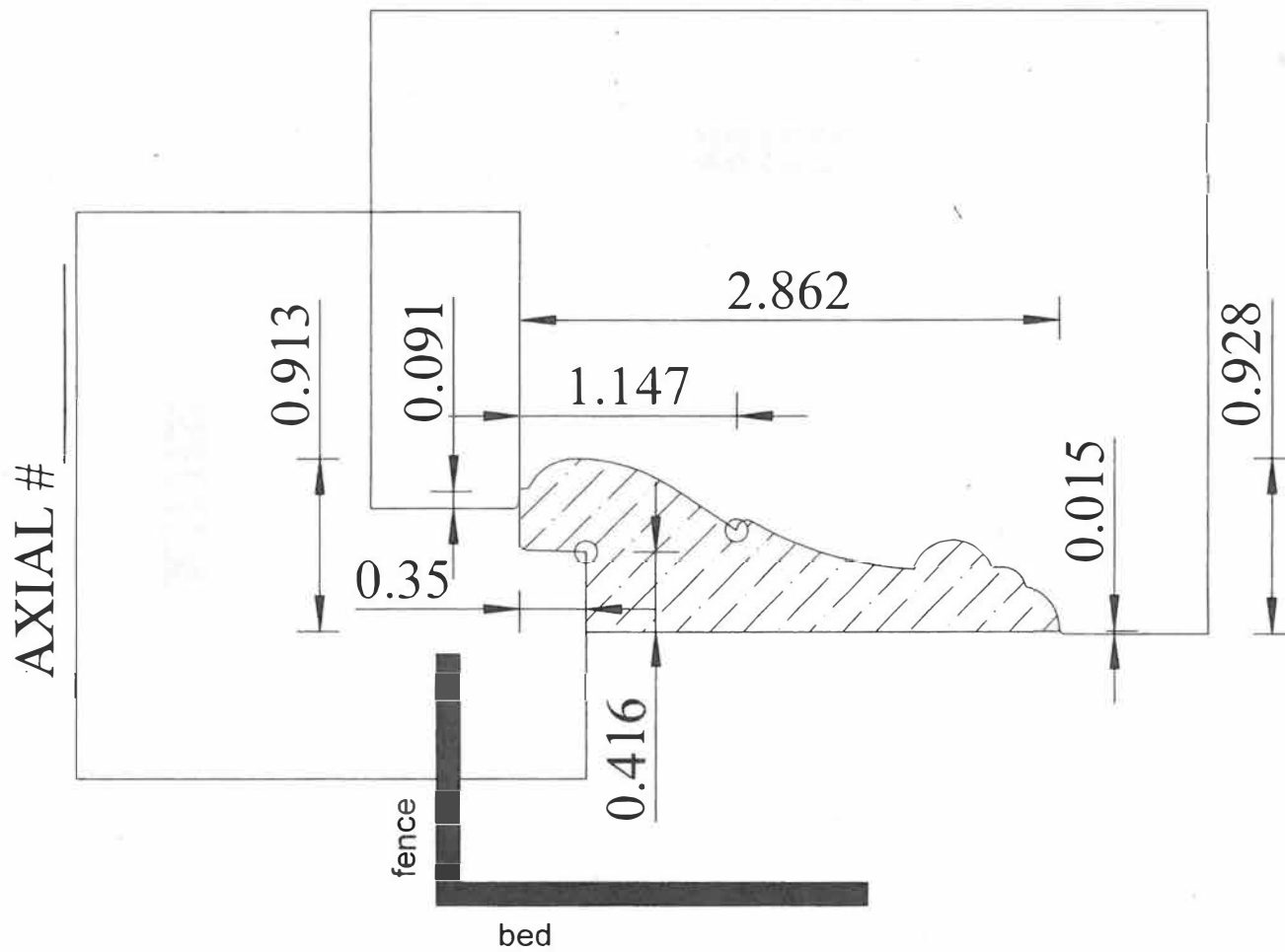
fence

bed



I-82

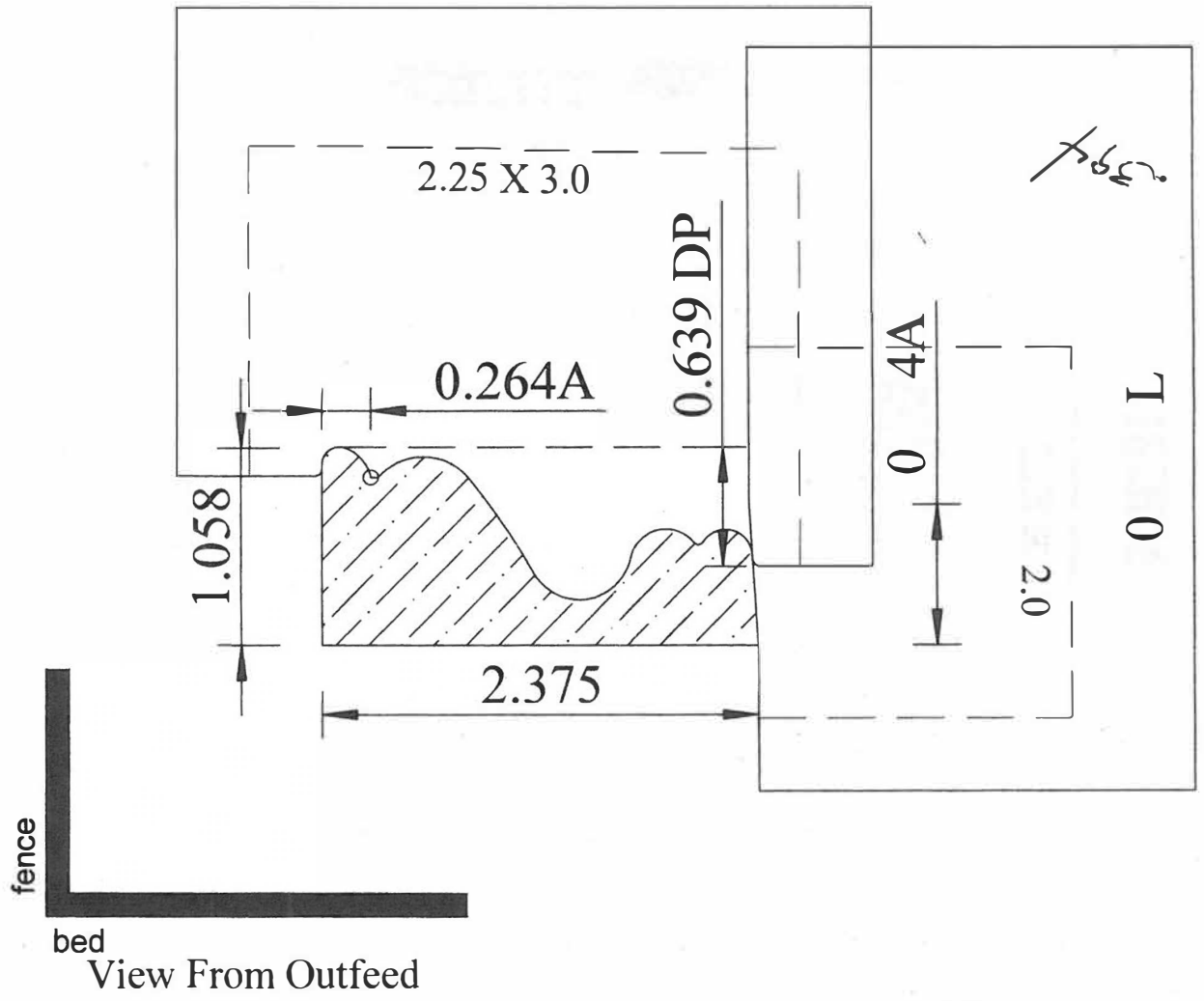




grid #  
**J-13**



J-82

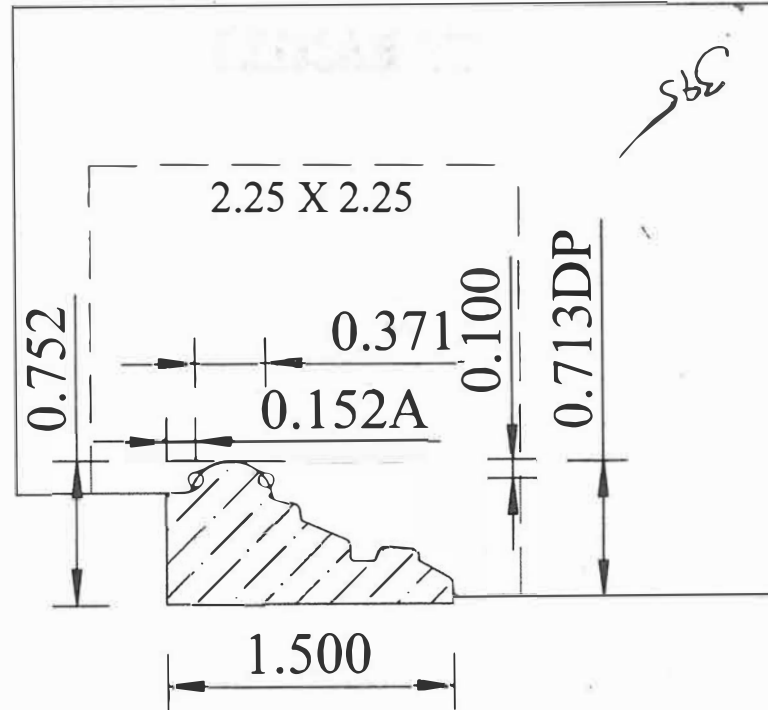


fence

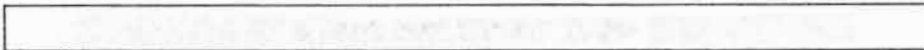
bed

View From Outfeed

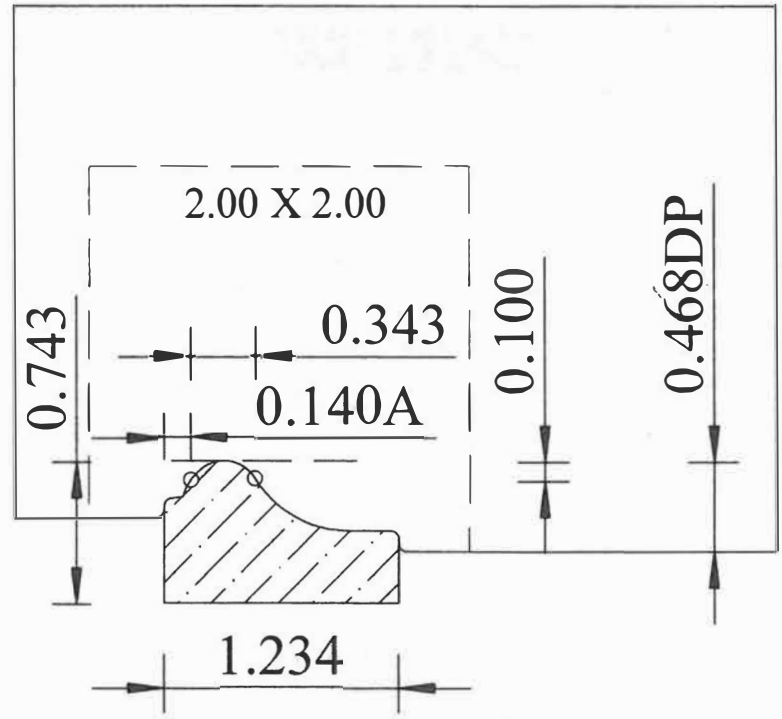
J-88



fence



J-92

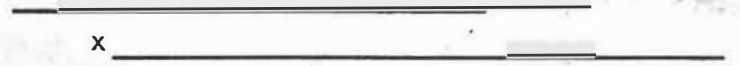


fence

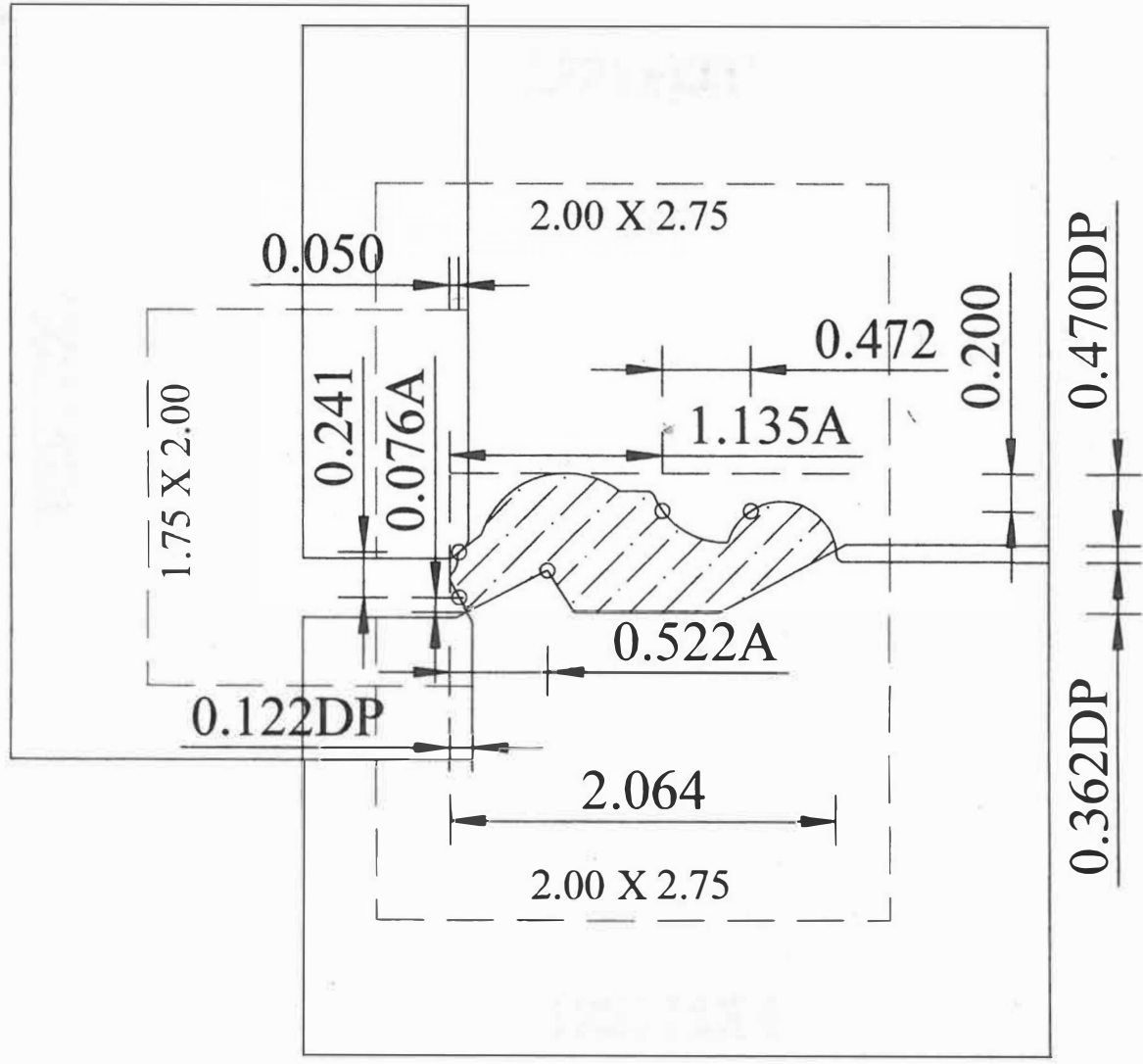
bed



x



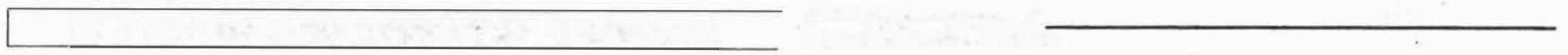
J-96



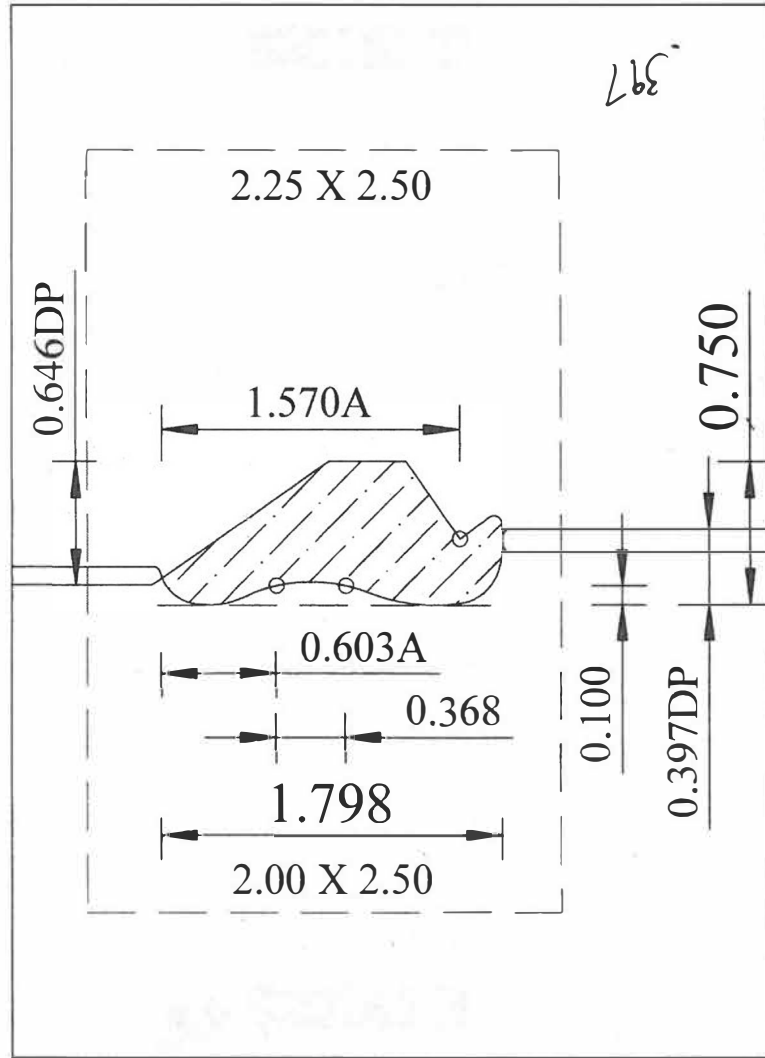
740

fence

bed



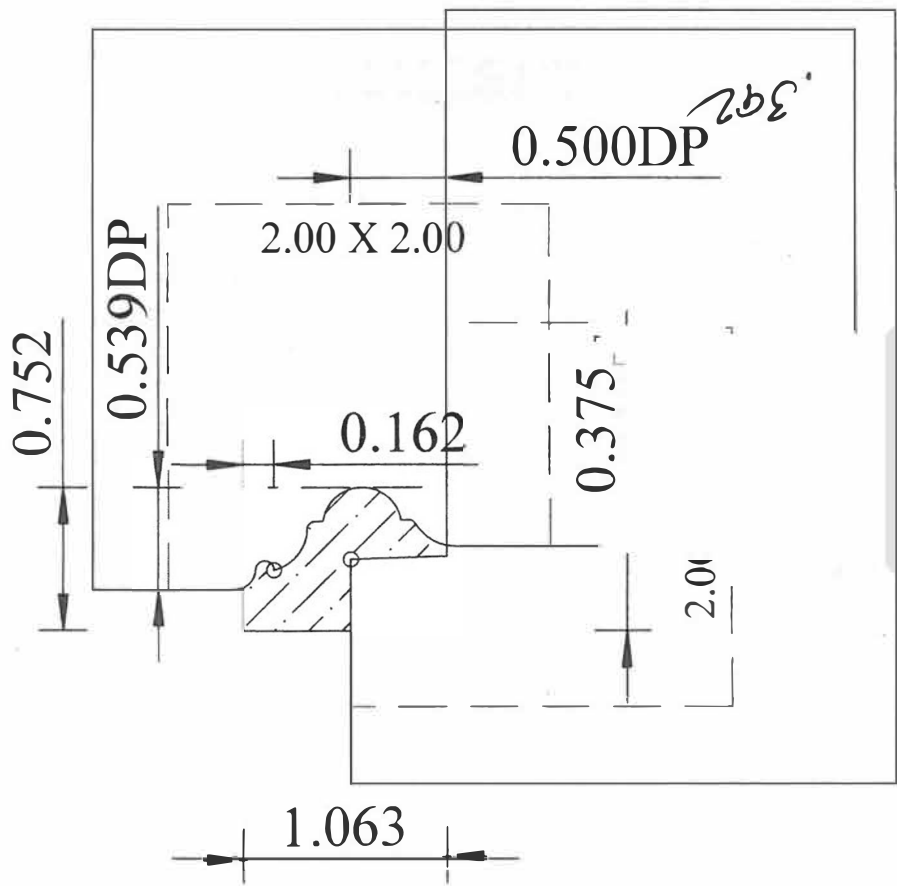
K-63



fence

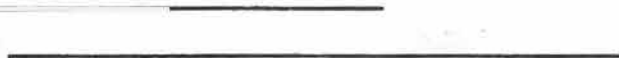


K-72

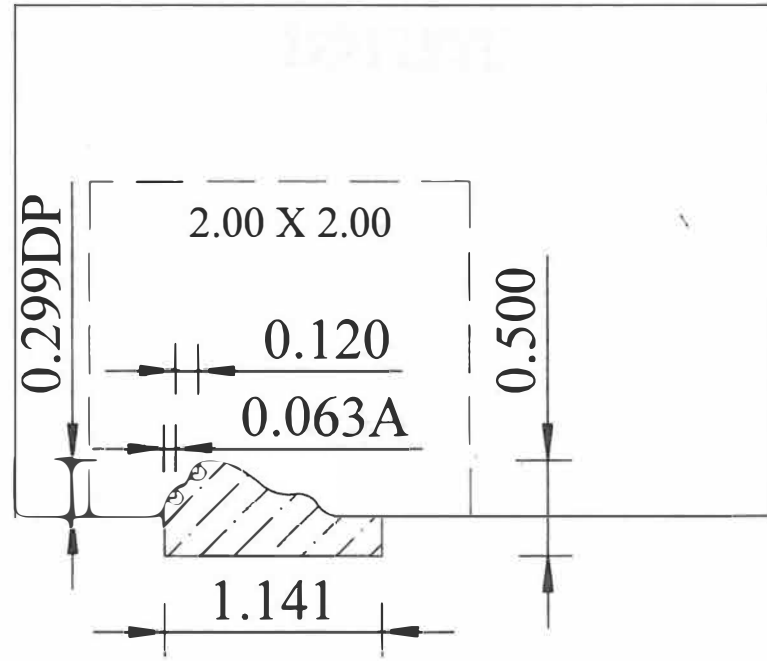


fence

d

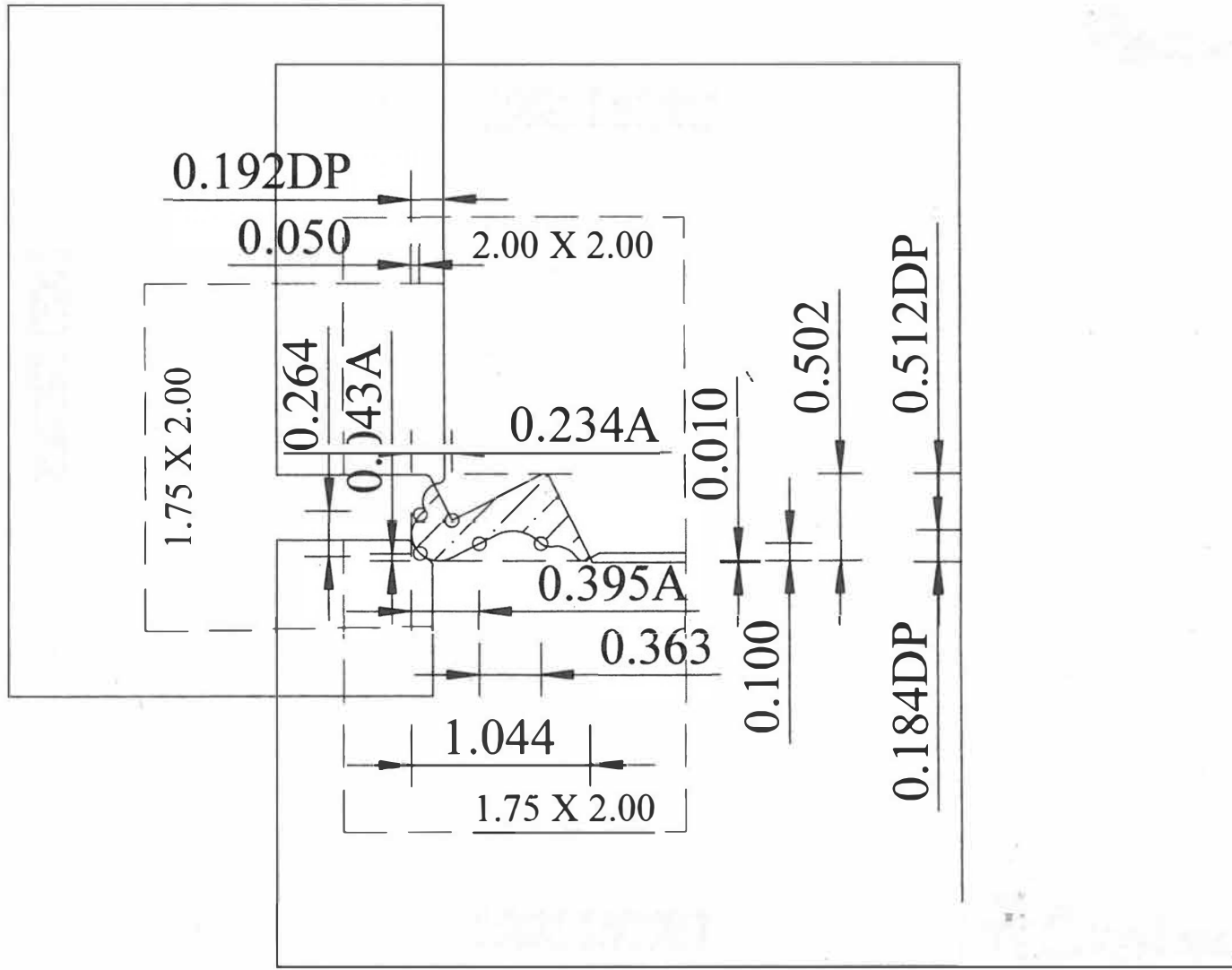


K-82



DATE: \_\_\_\_\_

K-89



fence

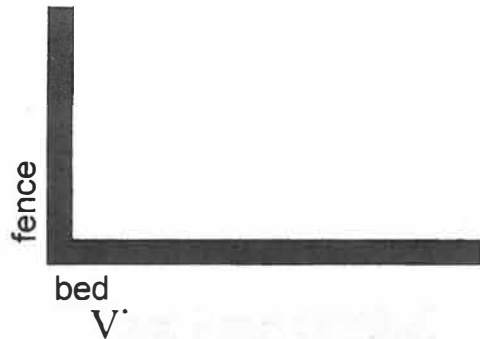
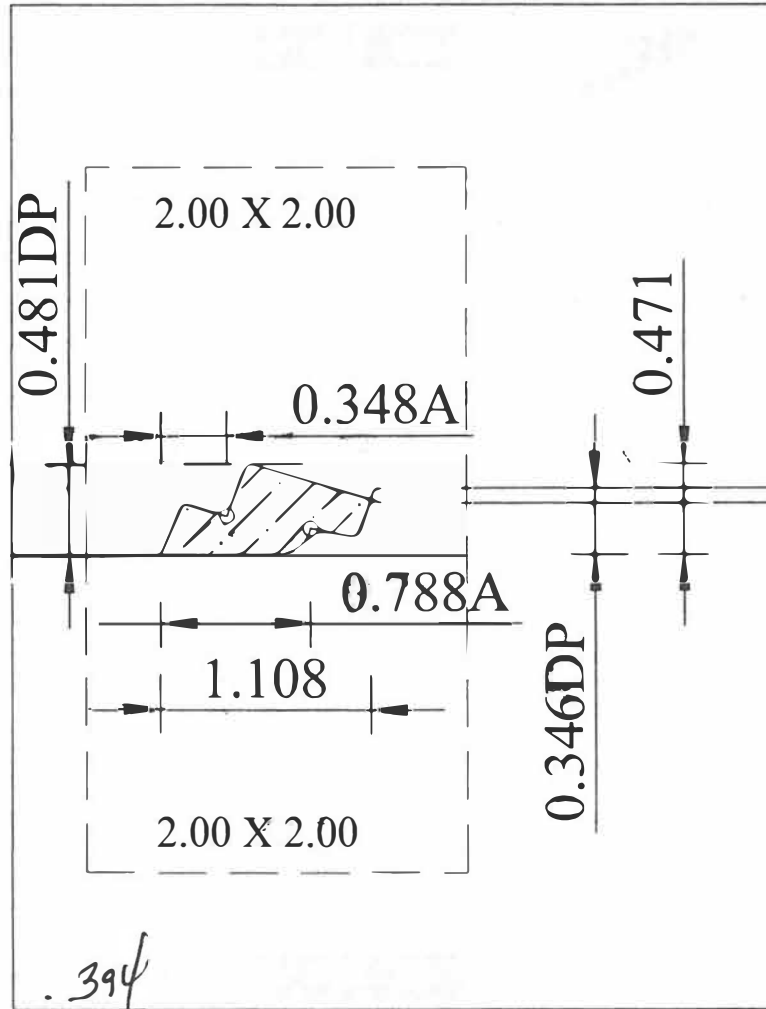


x

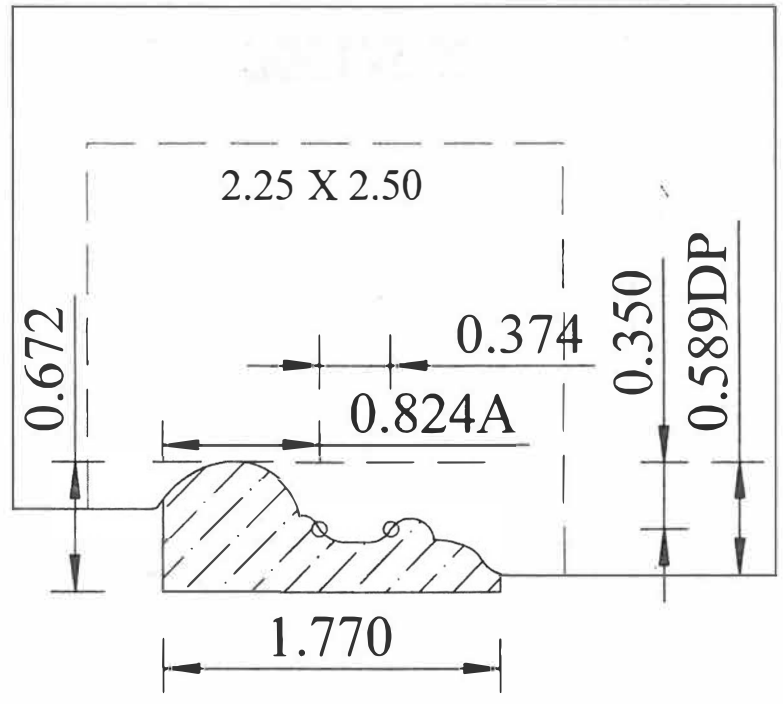




K-91



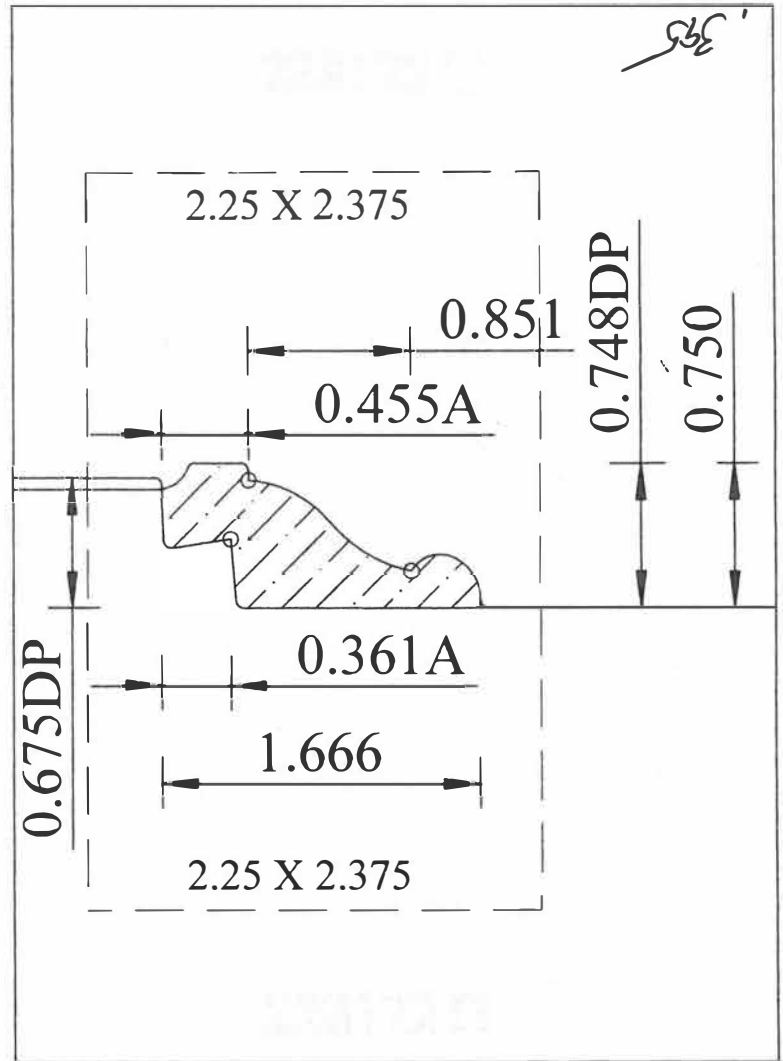
L-75



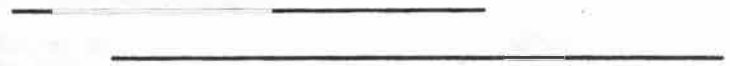
fence



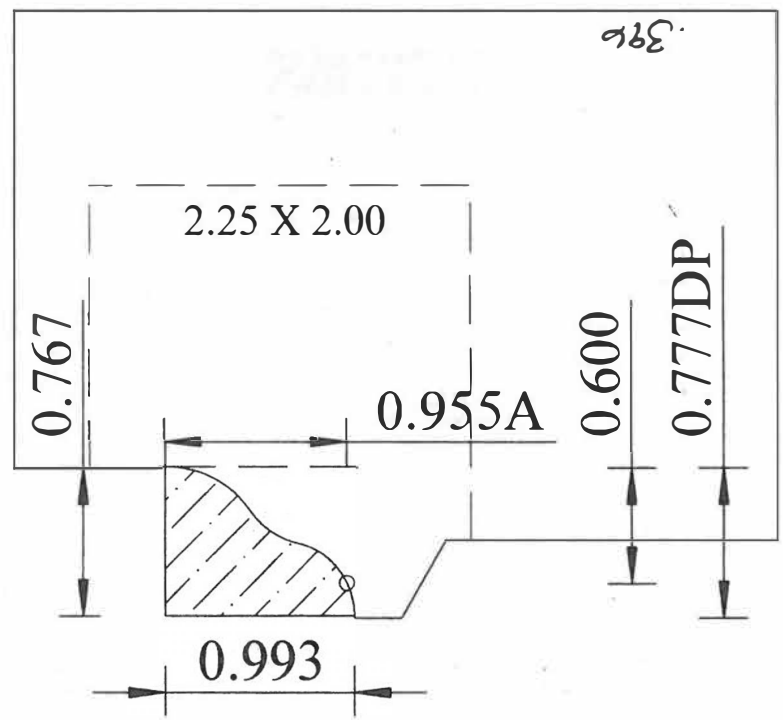
L-76



fence



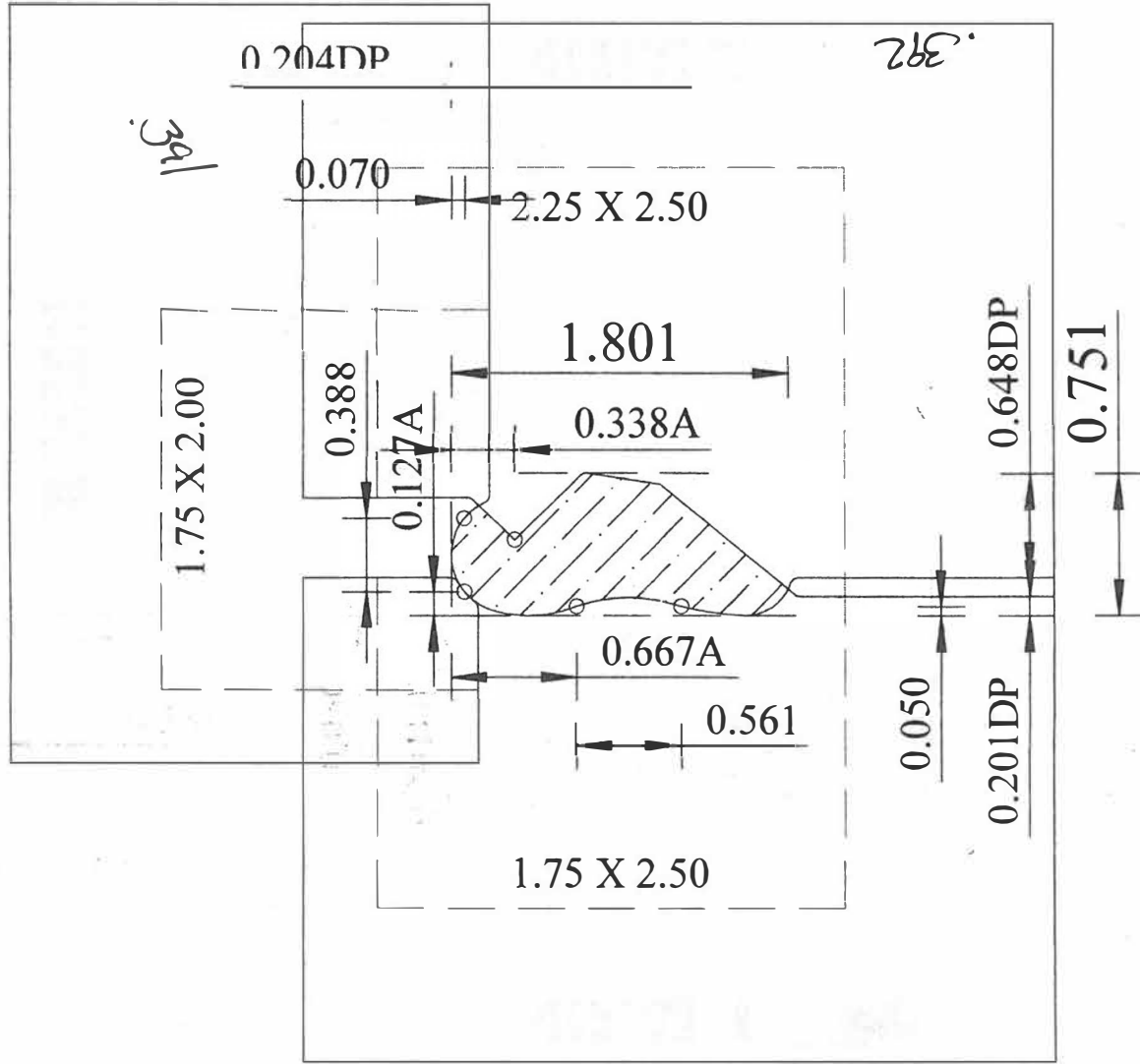
L-77



fence



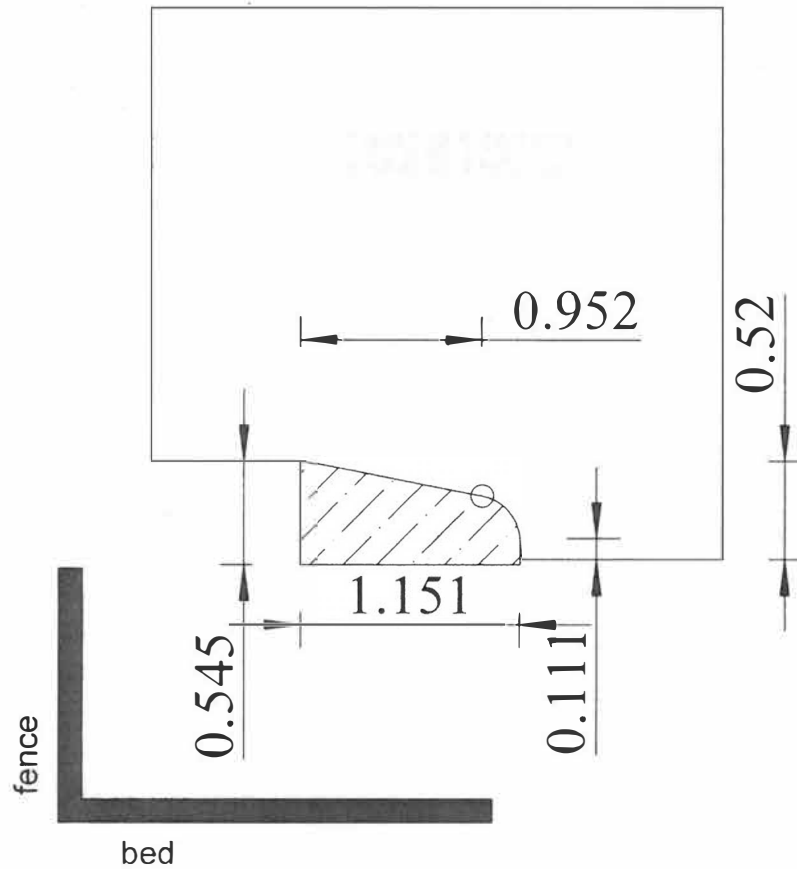
L-78



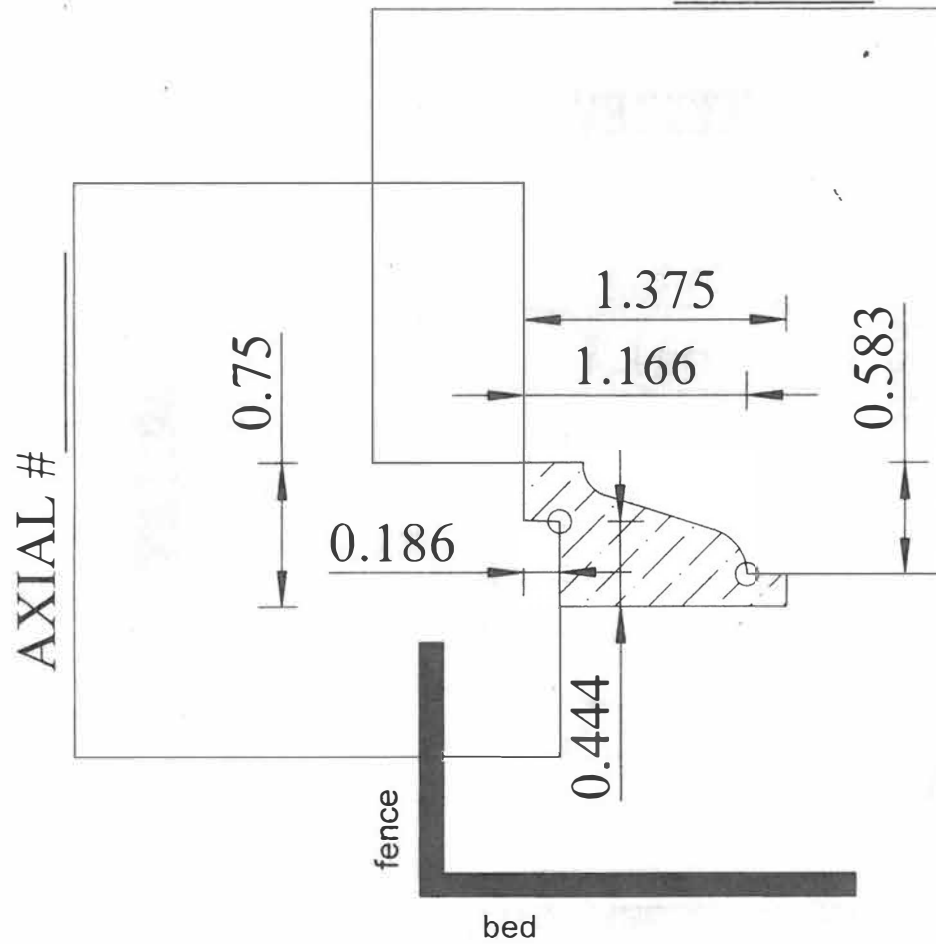
FENCE



N-59



P-7



P-12

