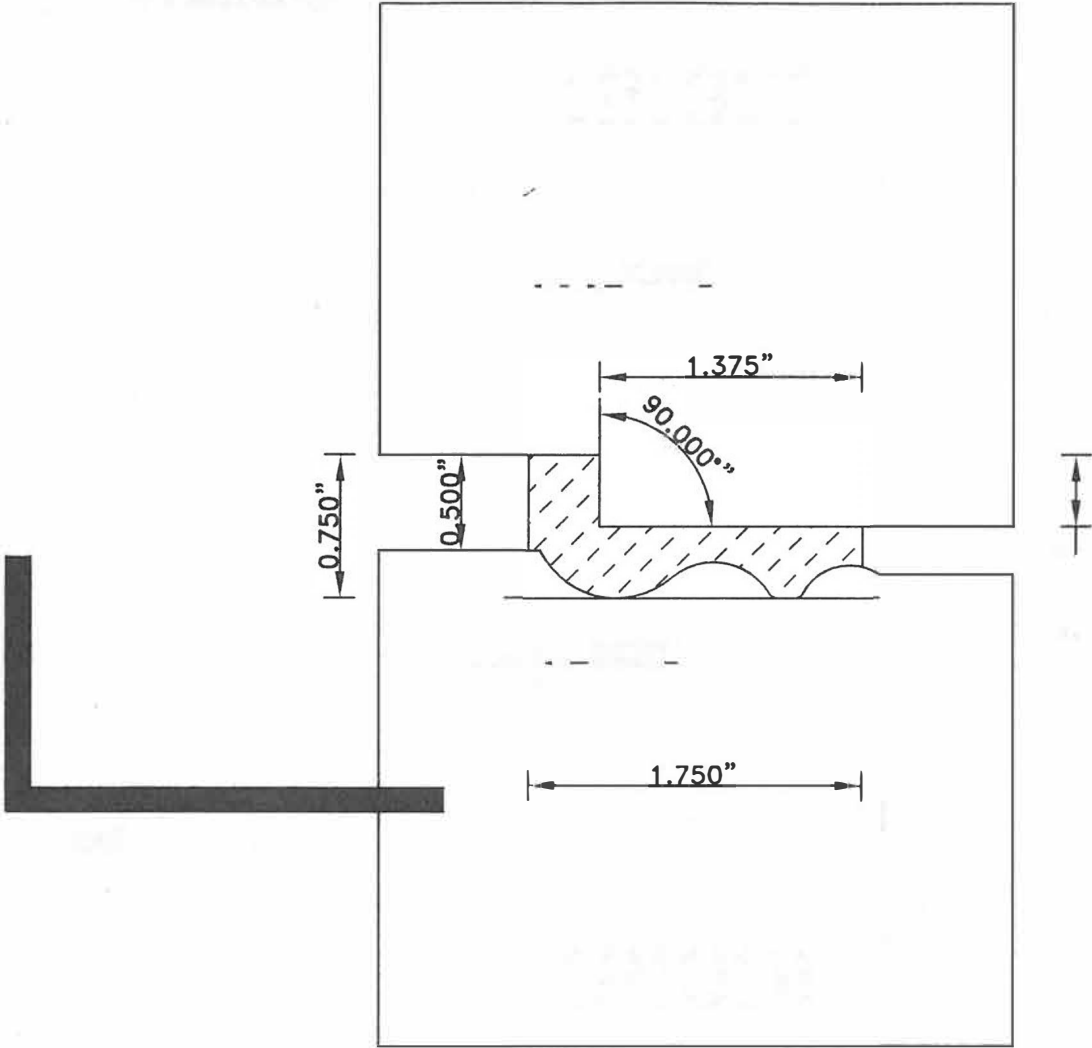


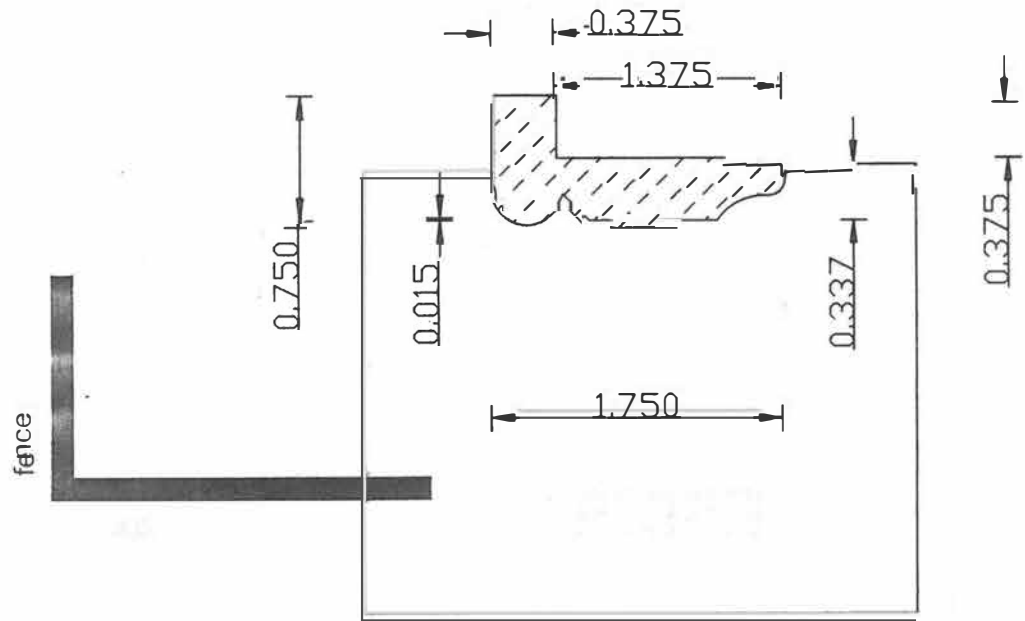
7-7

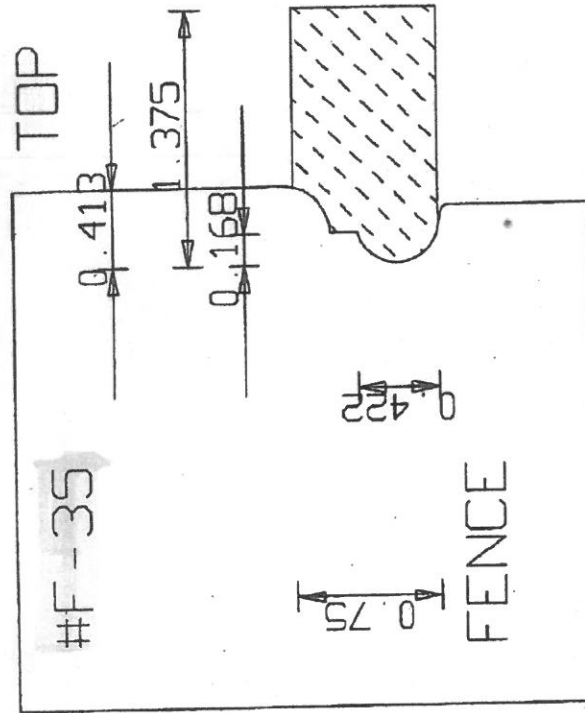
fe ce



F-8







40

J-85

