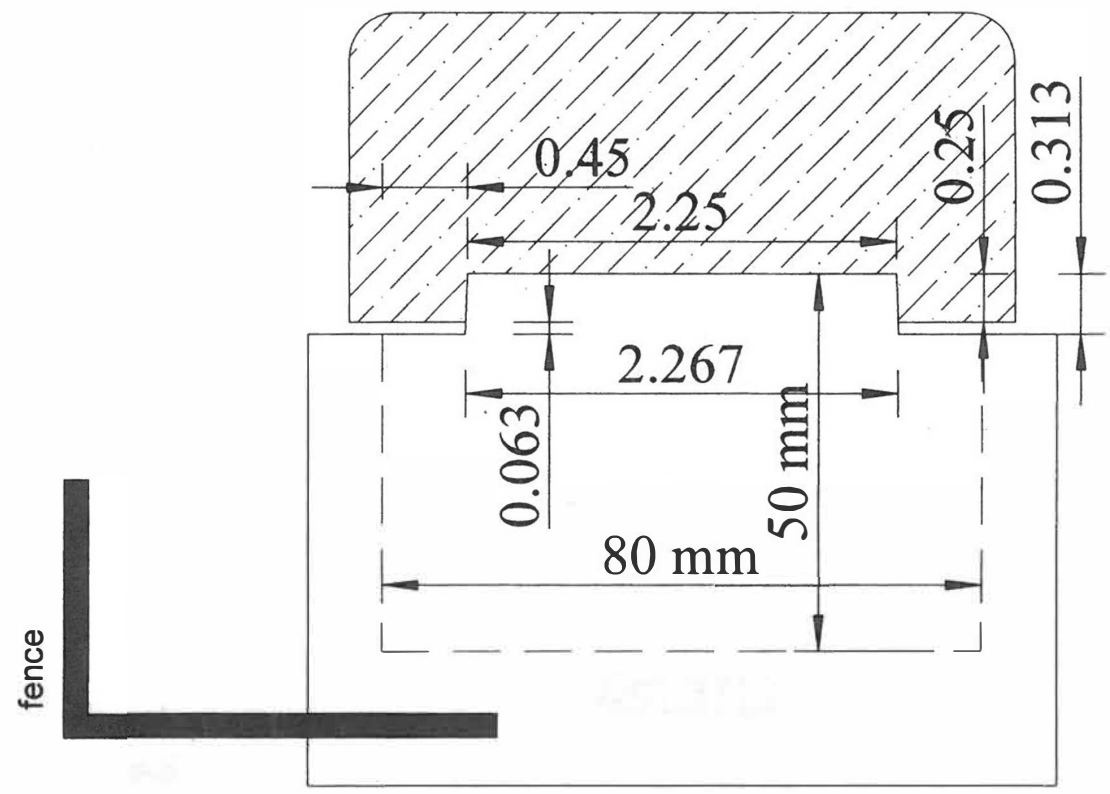
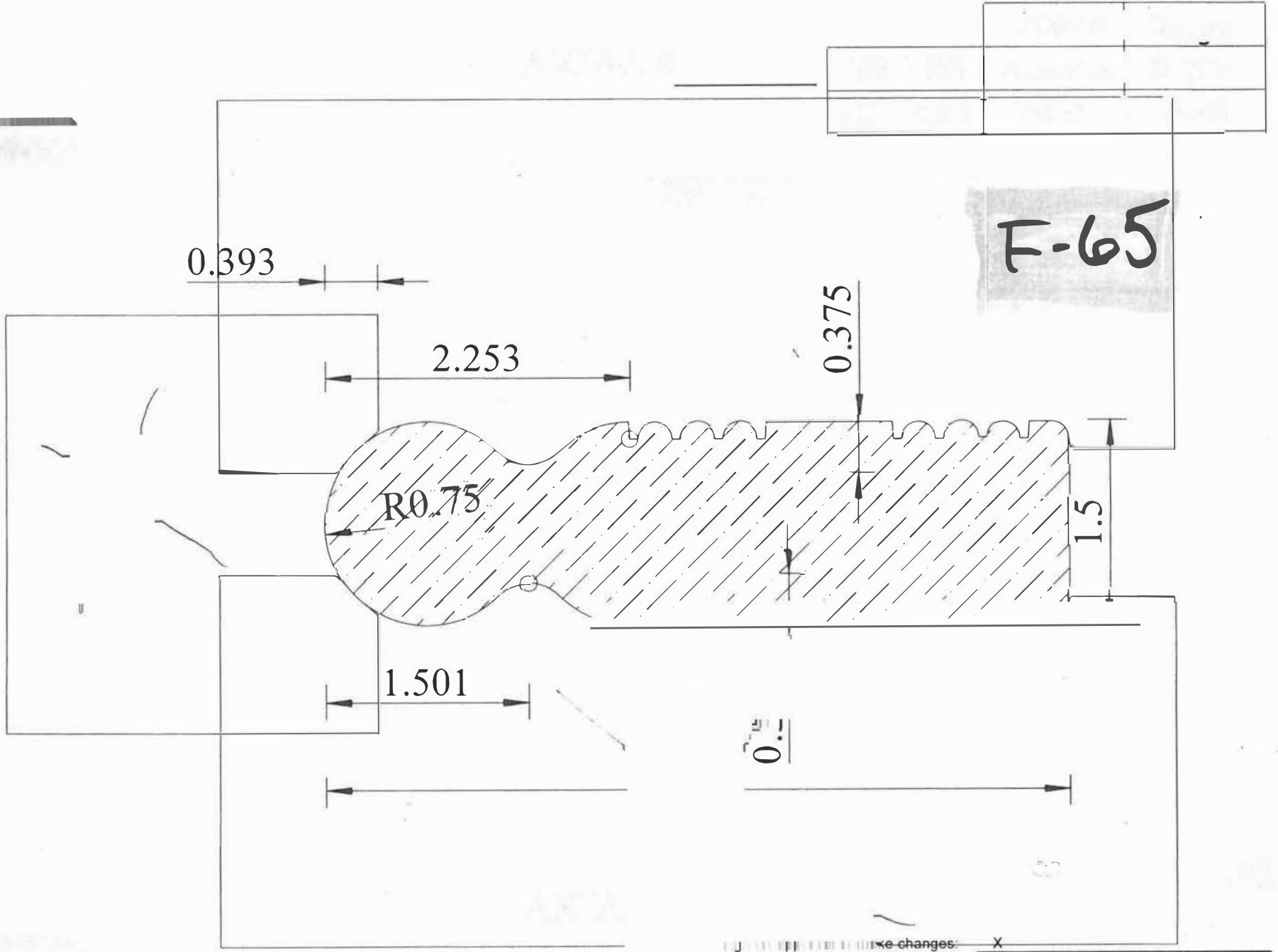


B-89

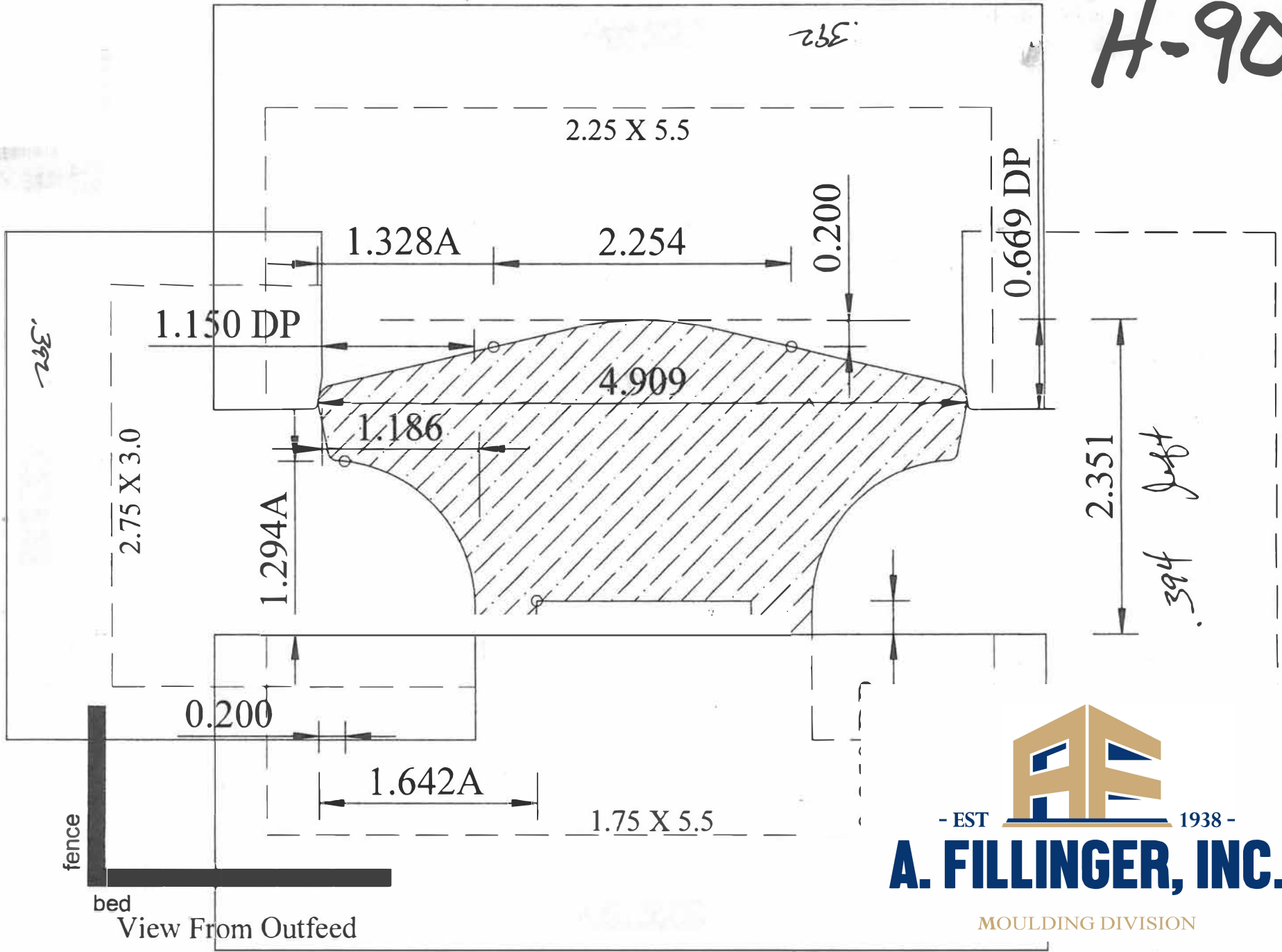


AXIAL # 364



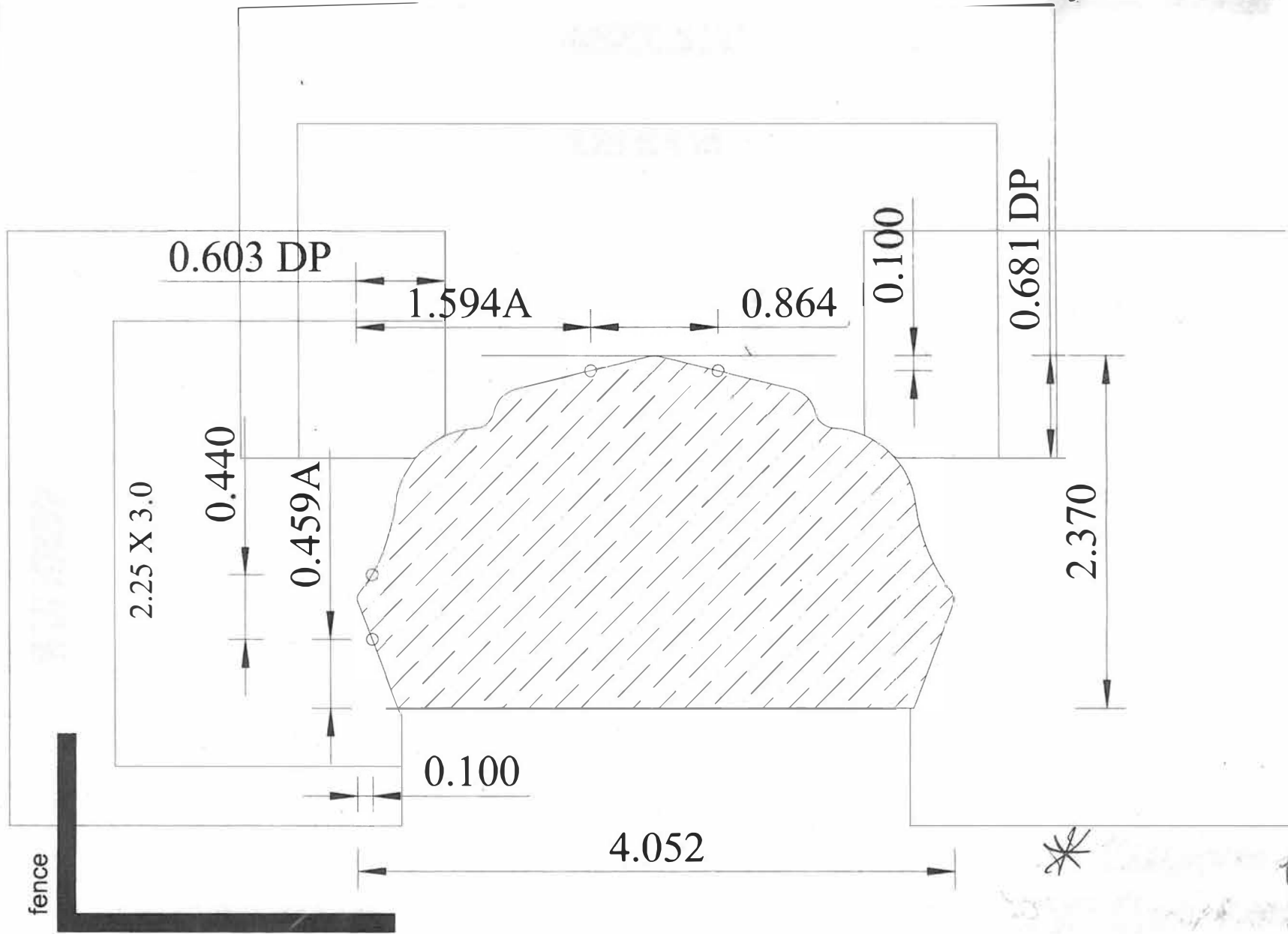
like changes: X

H-90

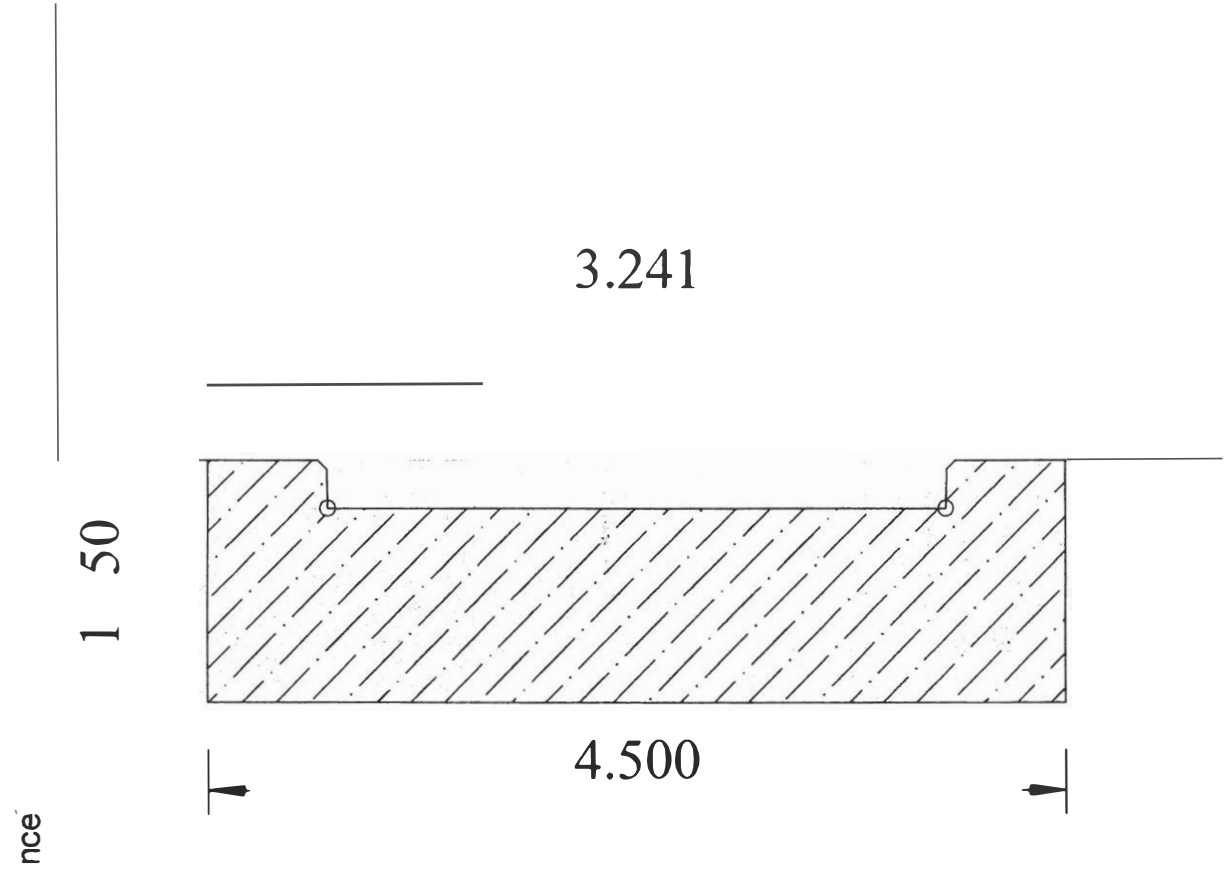


Date: _____

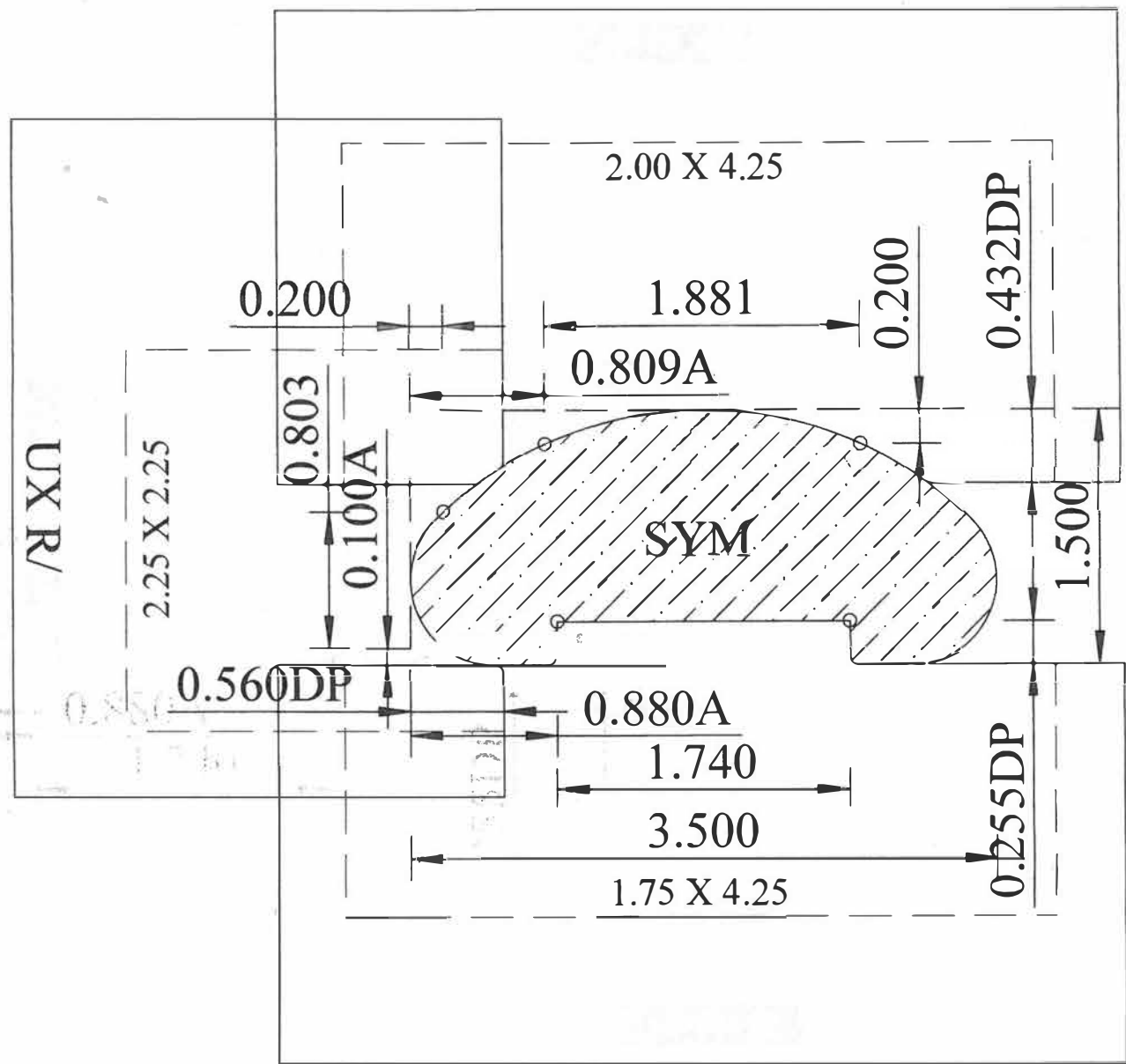
H-91



H-95



I-72



fe ce

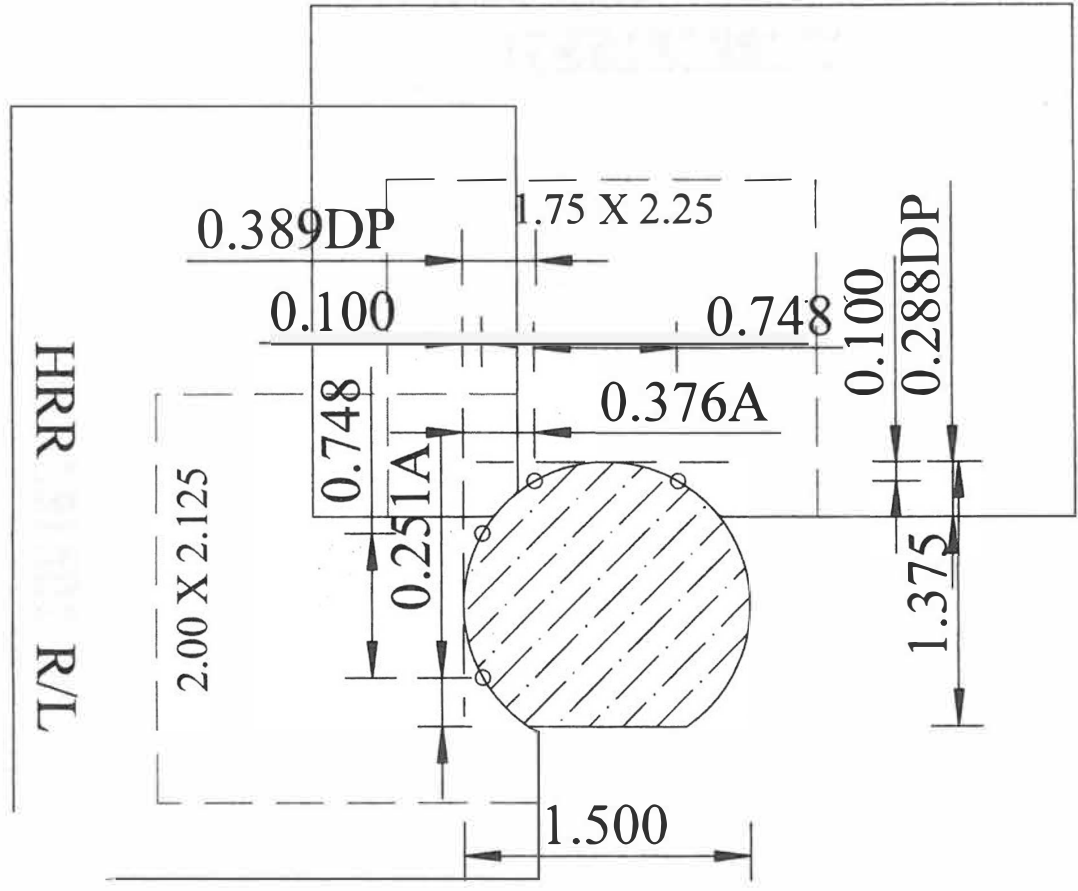
bed

Outfeed

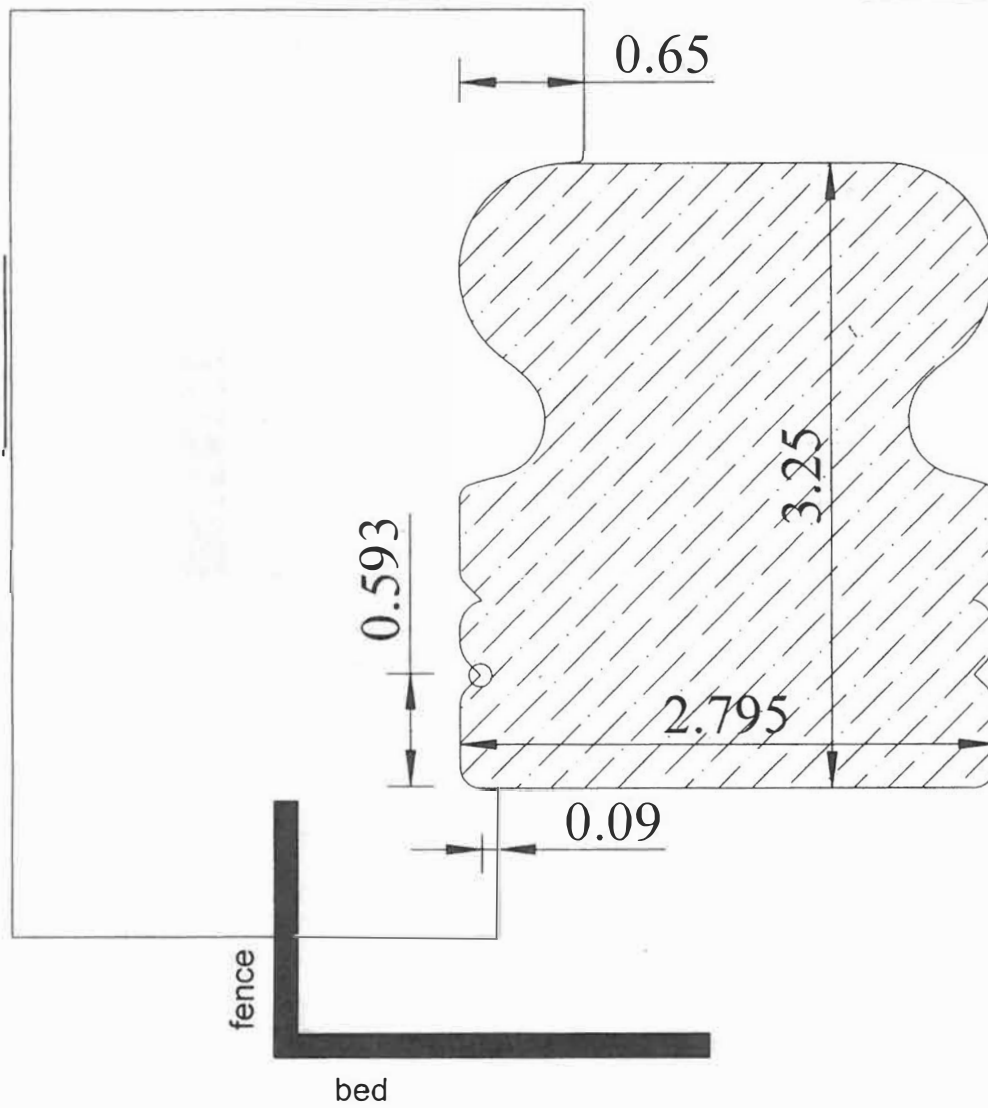


K-84

fence



AXIAL # _____



Q-56

AXIAL # _____