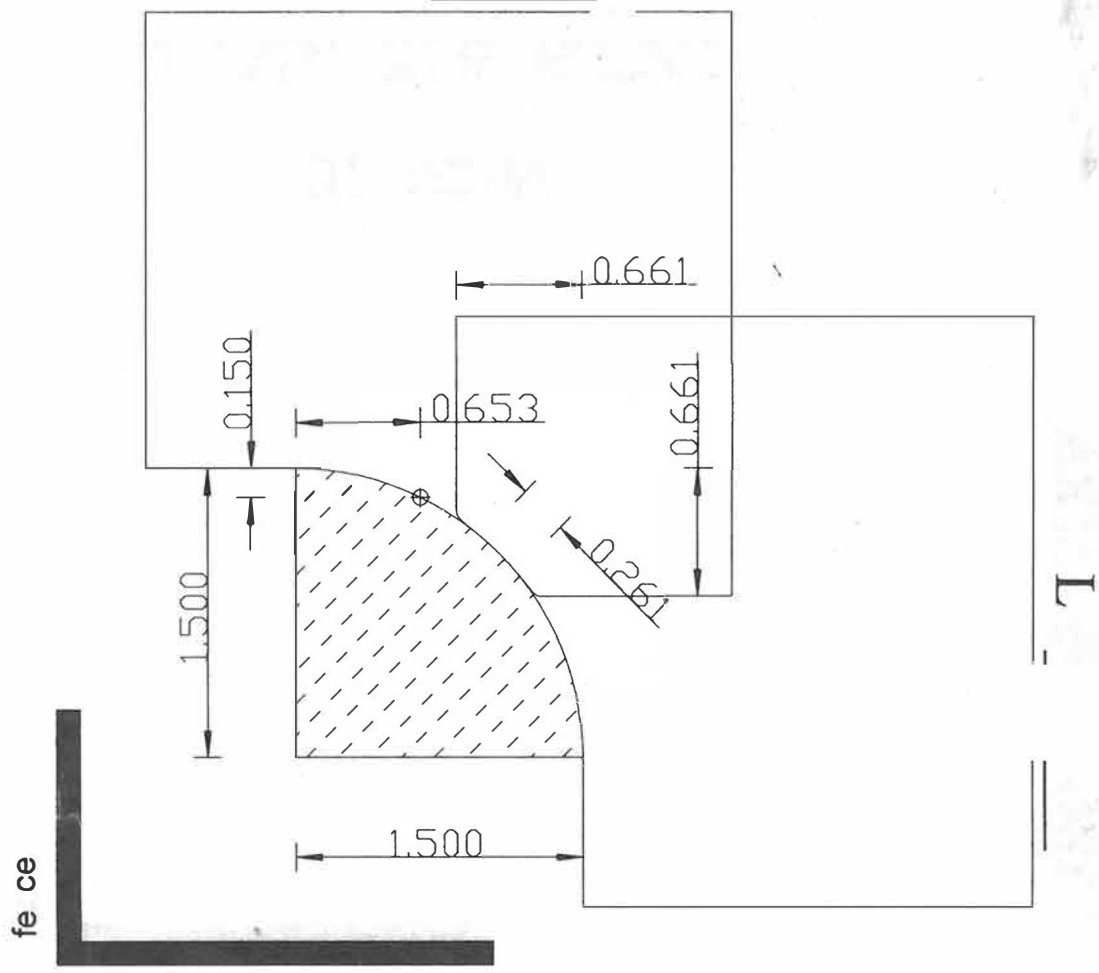
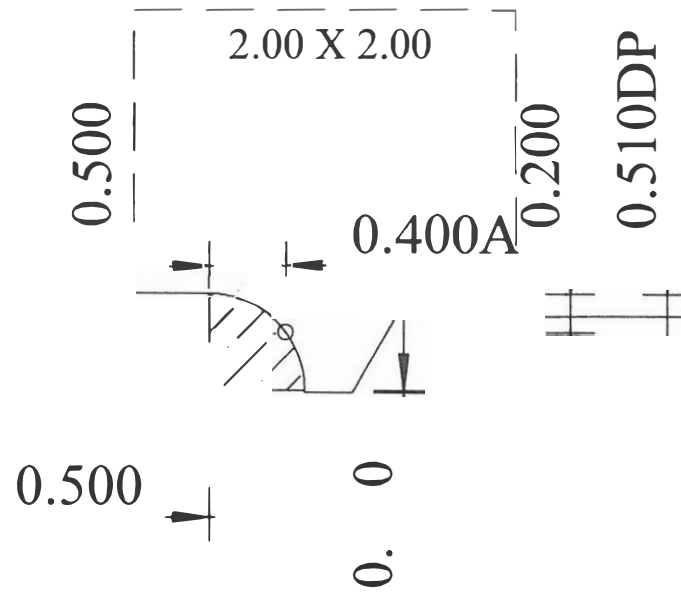


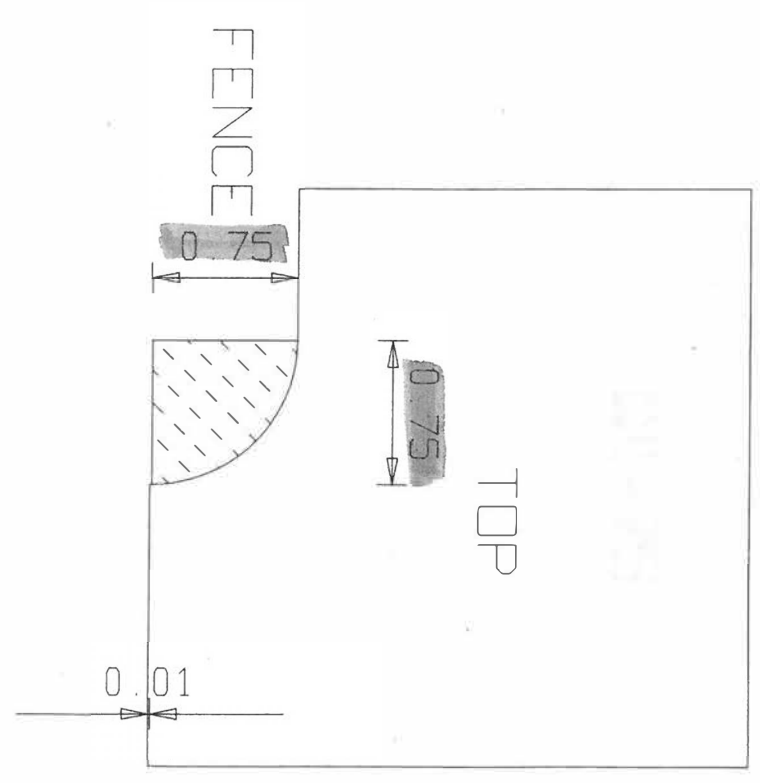
B-94



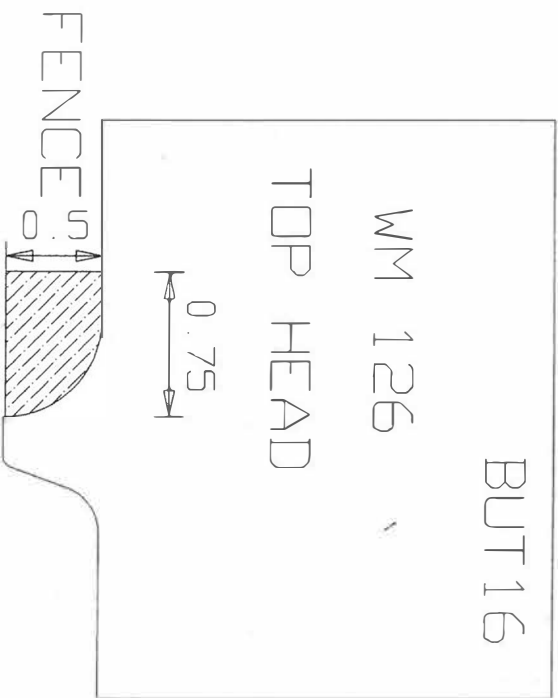
1/2 x 1/2
OIR Rad

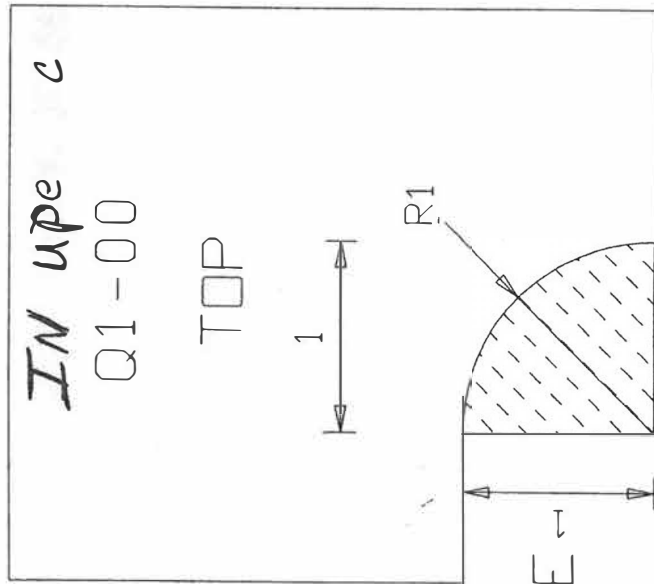


3/4 X 3/4 quarter round
MF-CAB



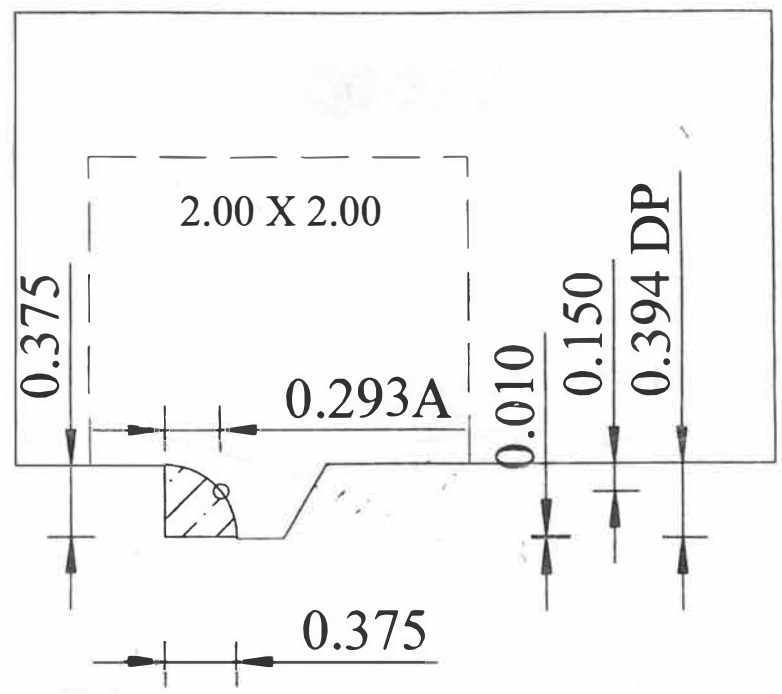
BASE SHOE 1/2" x 3/4"



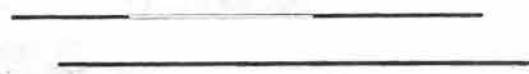


0.01

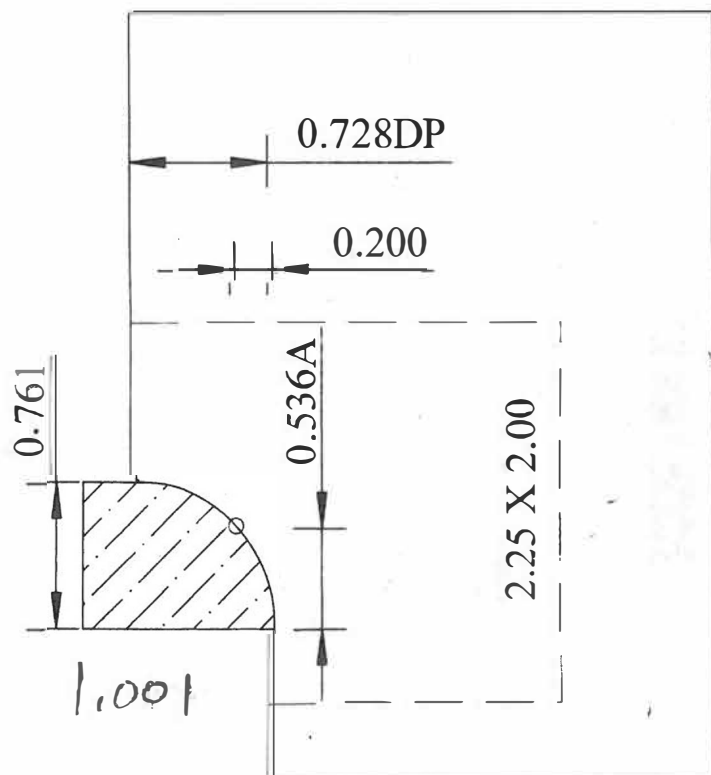
H-51



fe ce



I-51



J-54

