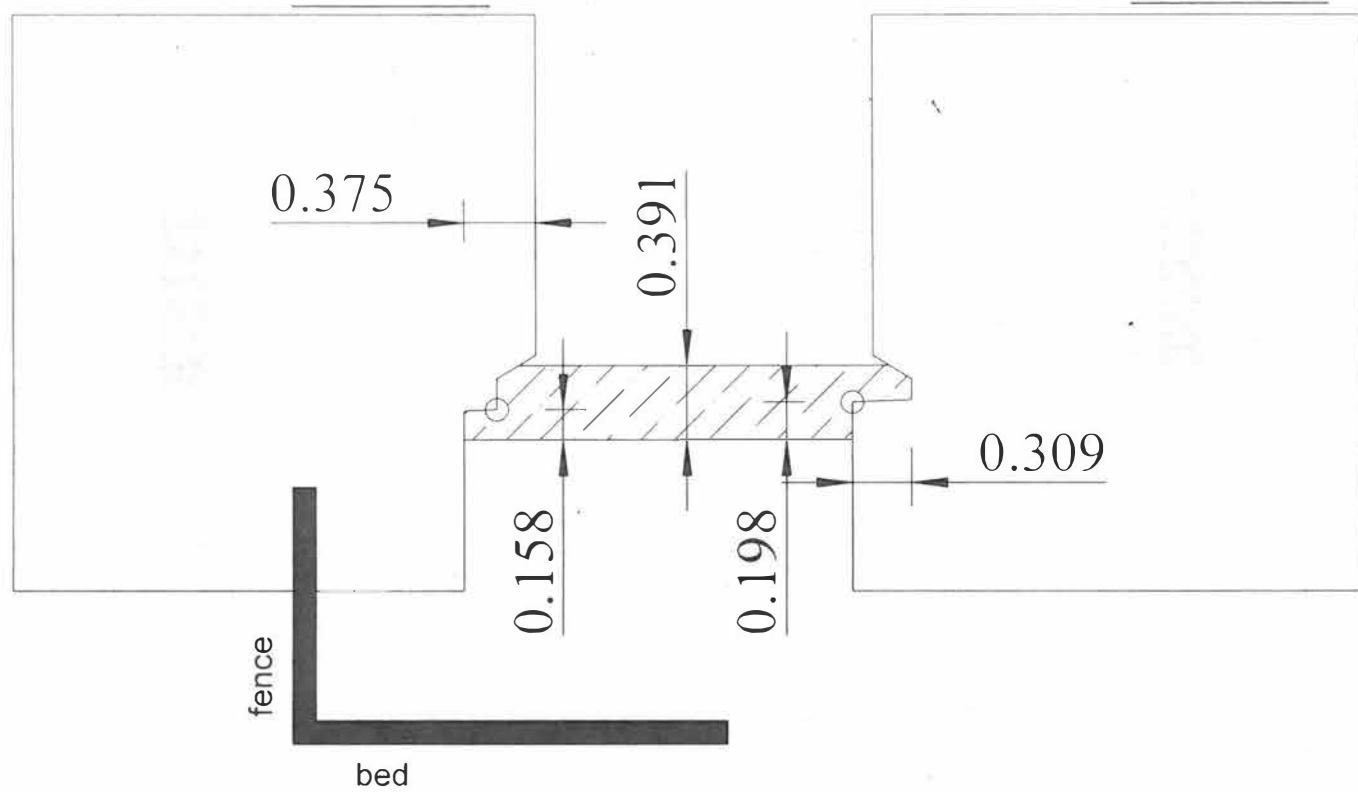
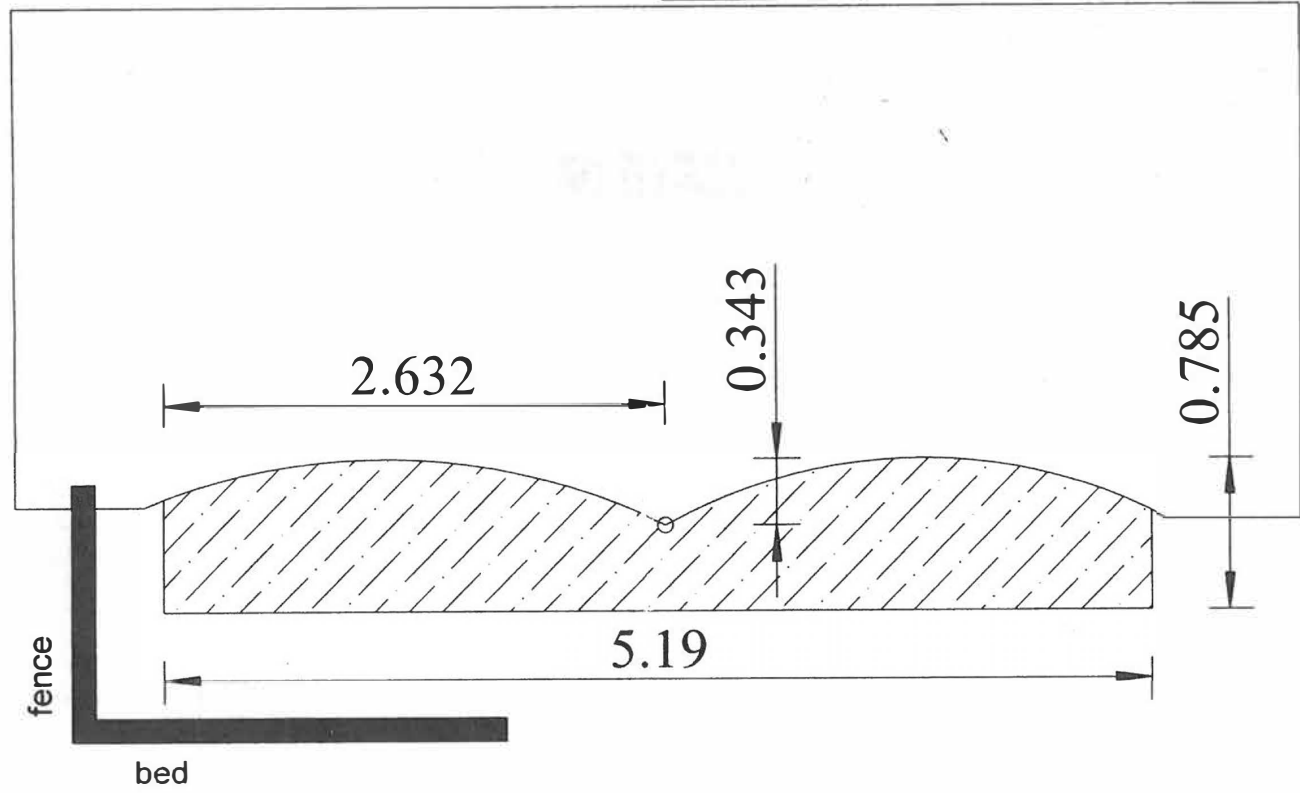


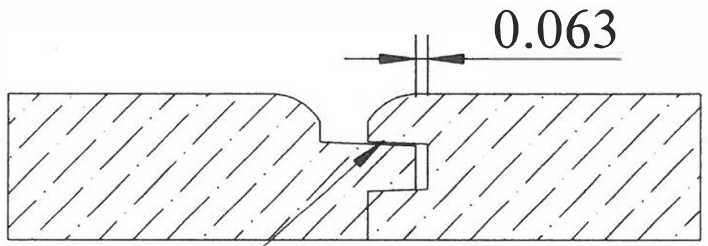
A-72



A-84

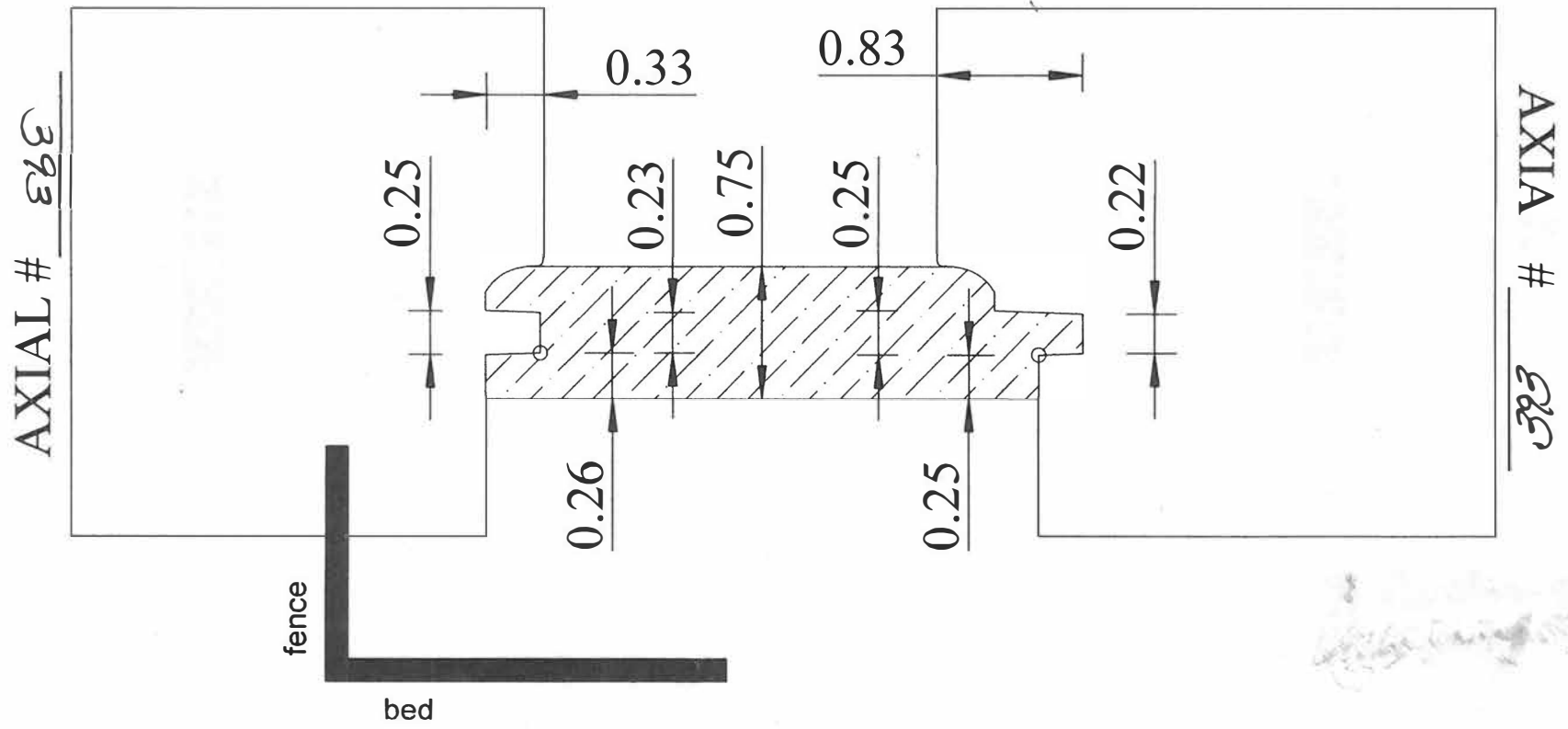


1



.010 Tolerance

B-79



AXIAL # 393

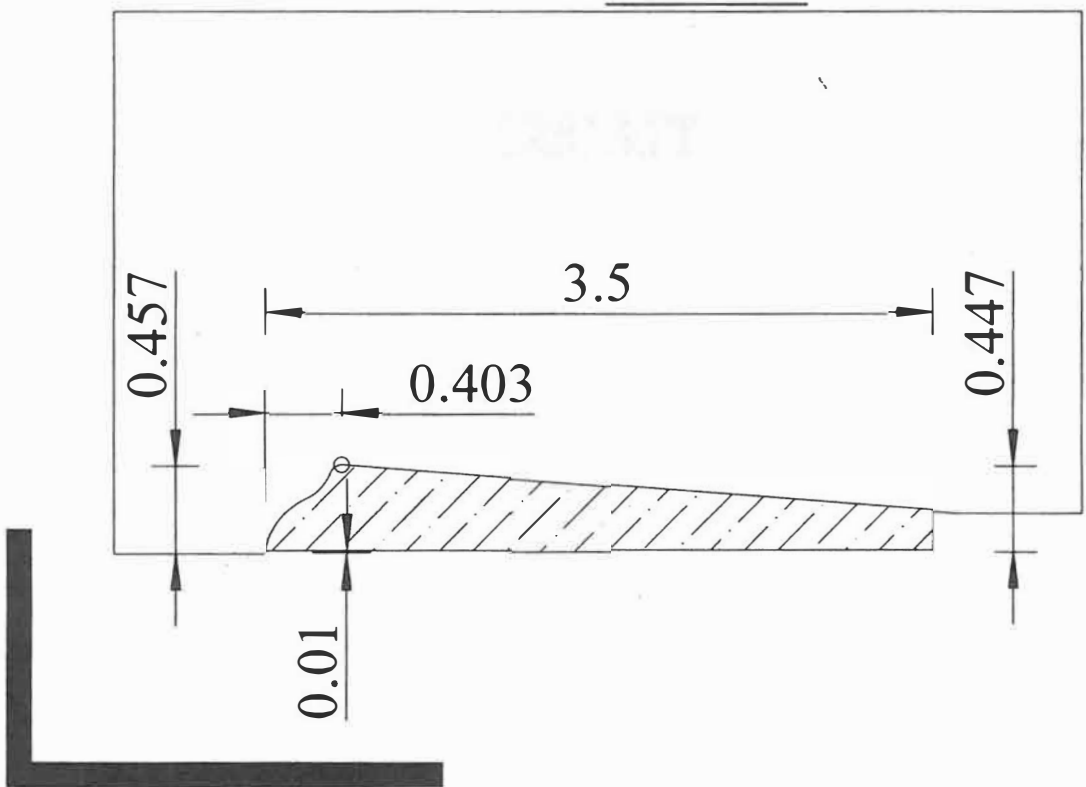
AXIAL # 393

fence

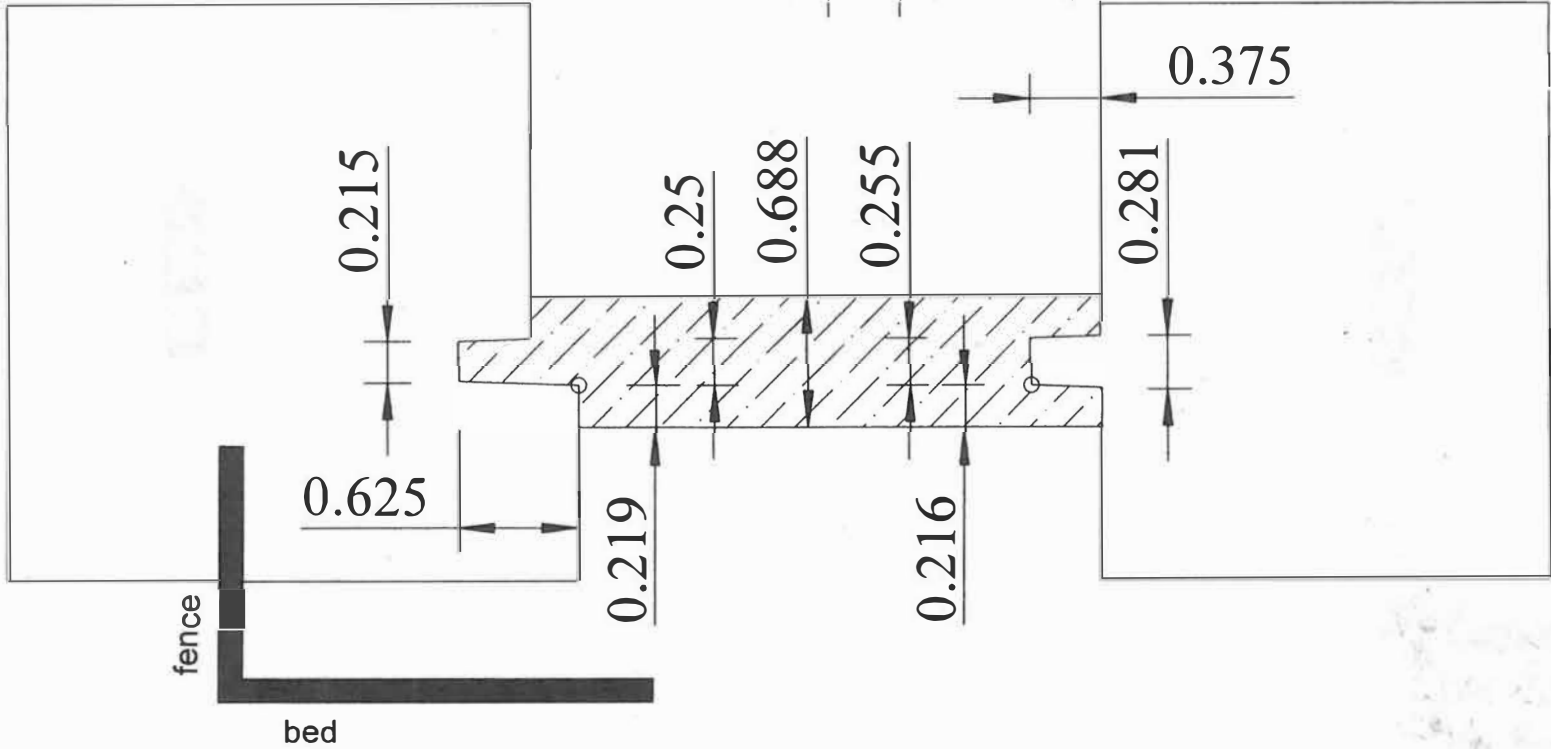
bed

REV	DESCRIPTION	DATE
01	ISSUED	10/10/01
02	REVISED	10/10/01

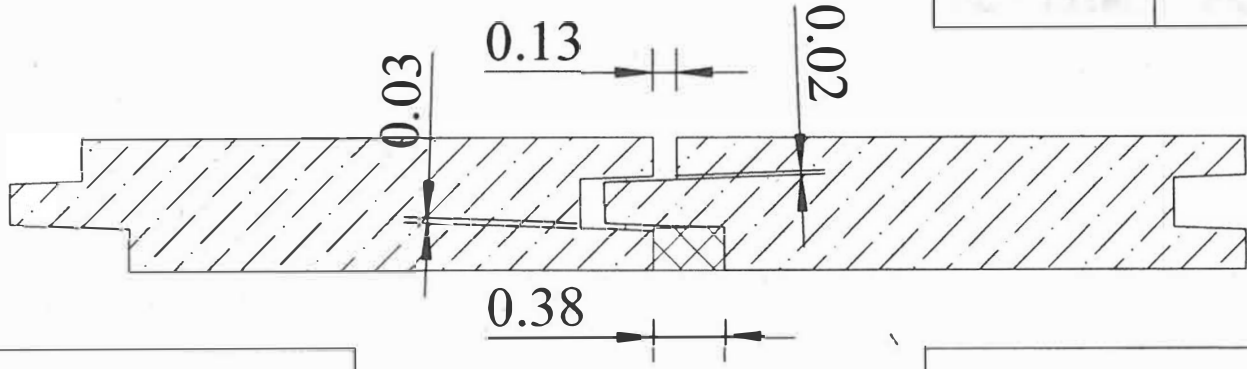
B-83



AXIAL # - 391



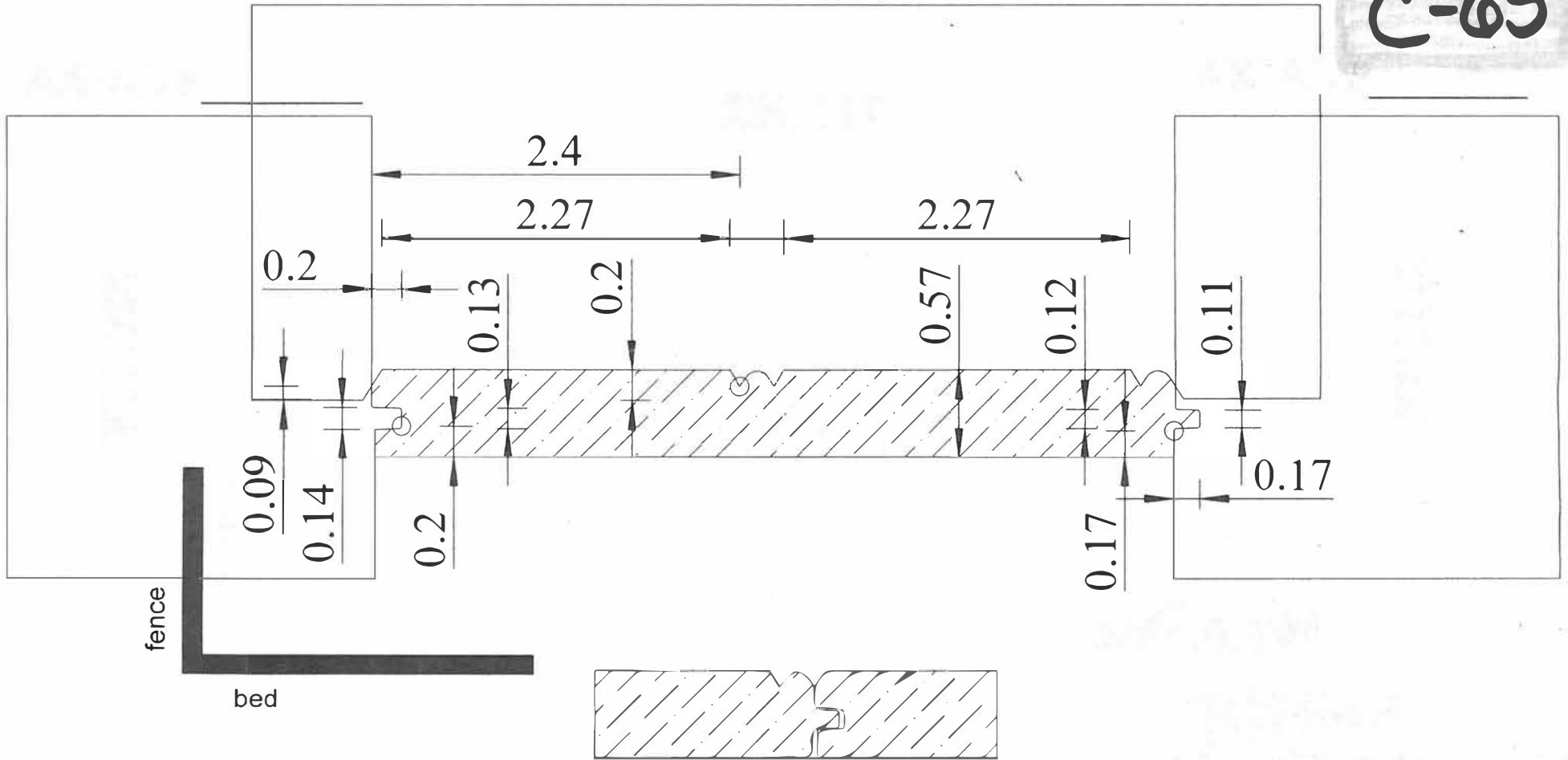
AXIAL # - 392

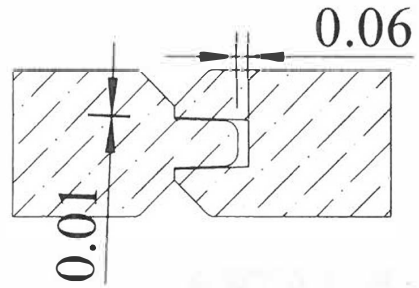


B-84

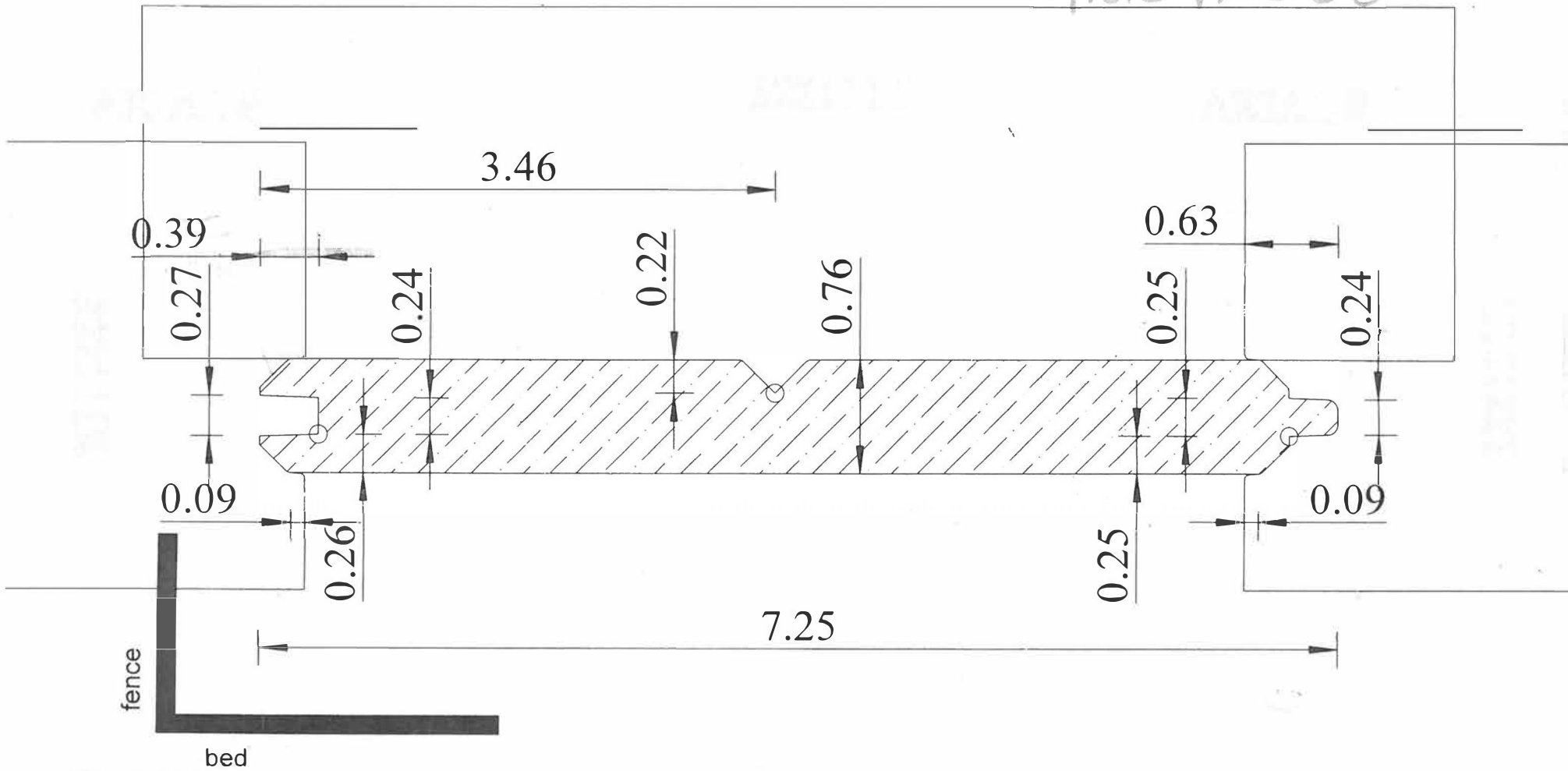
		SRS

C-65



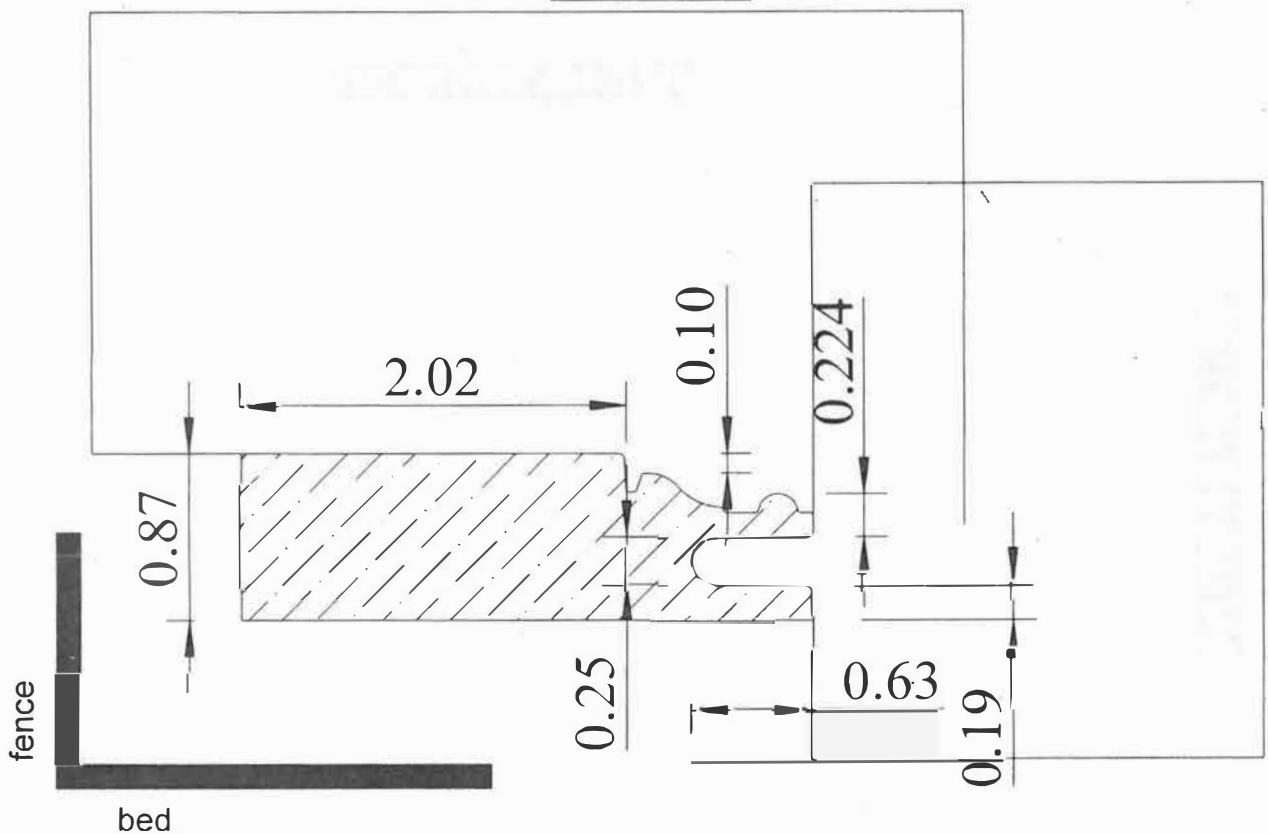


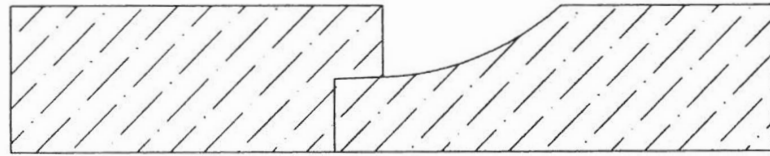
GRID # C68



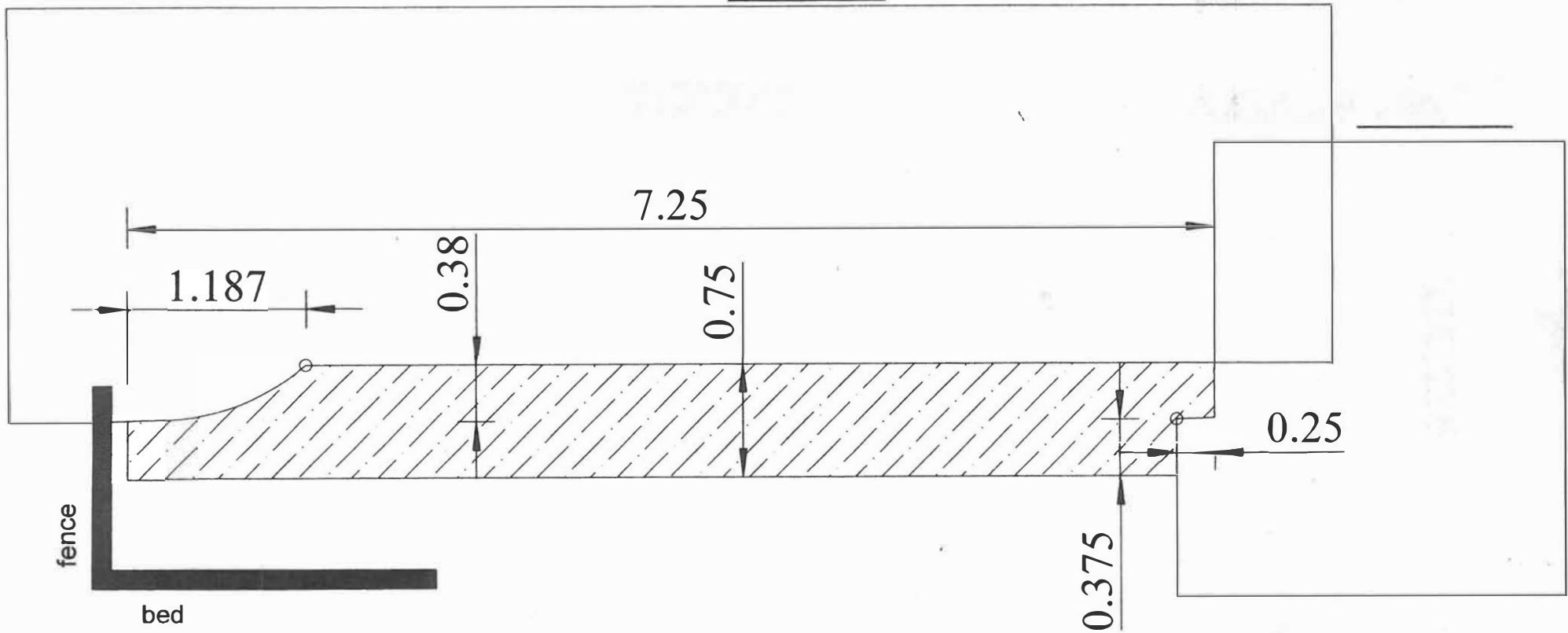
Material	304 SS	316 SS
Part No.	10000000	10000000
Rev.	1.0	1.0

C78

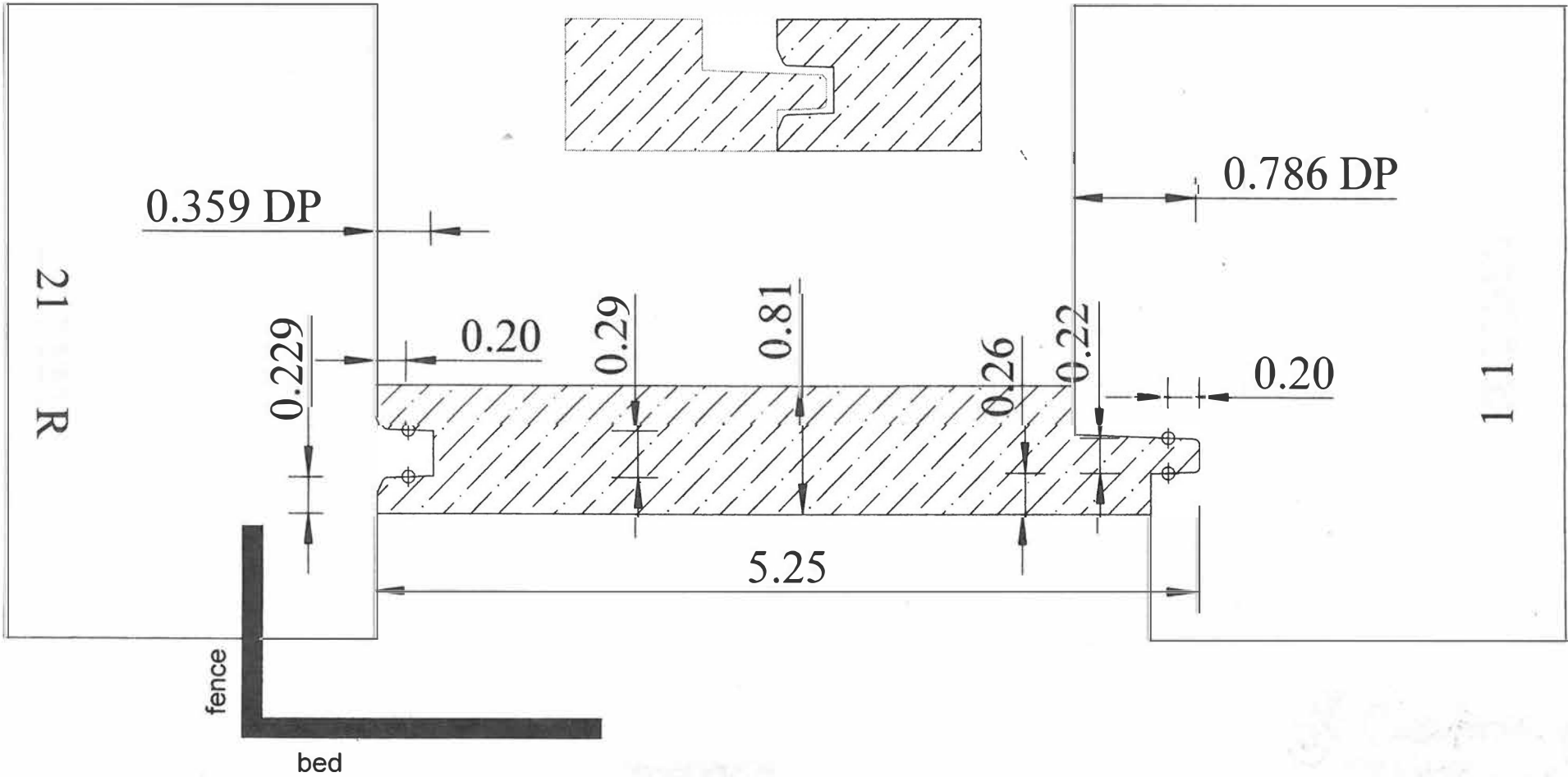




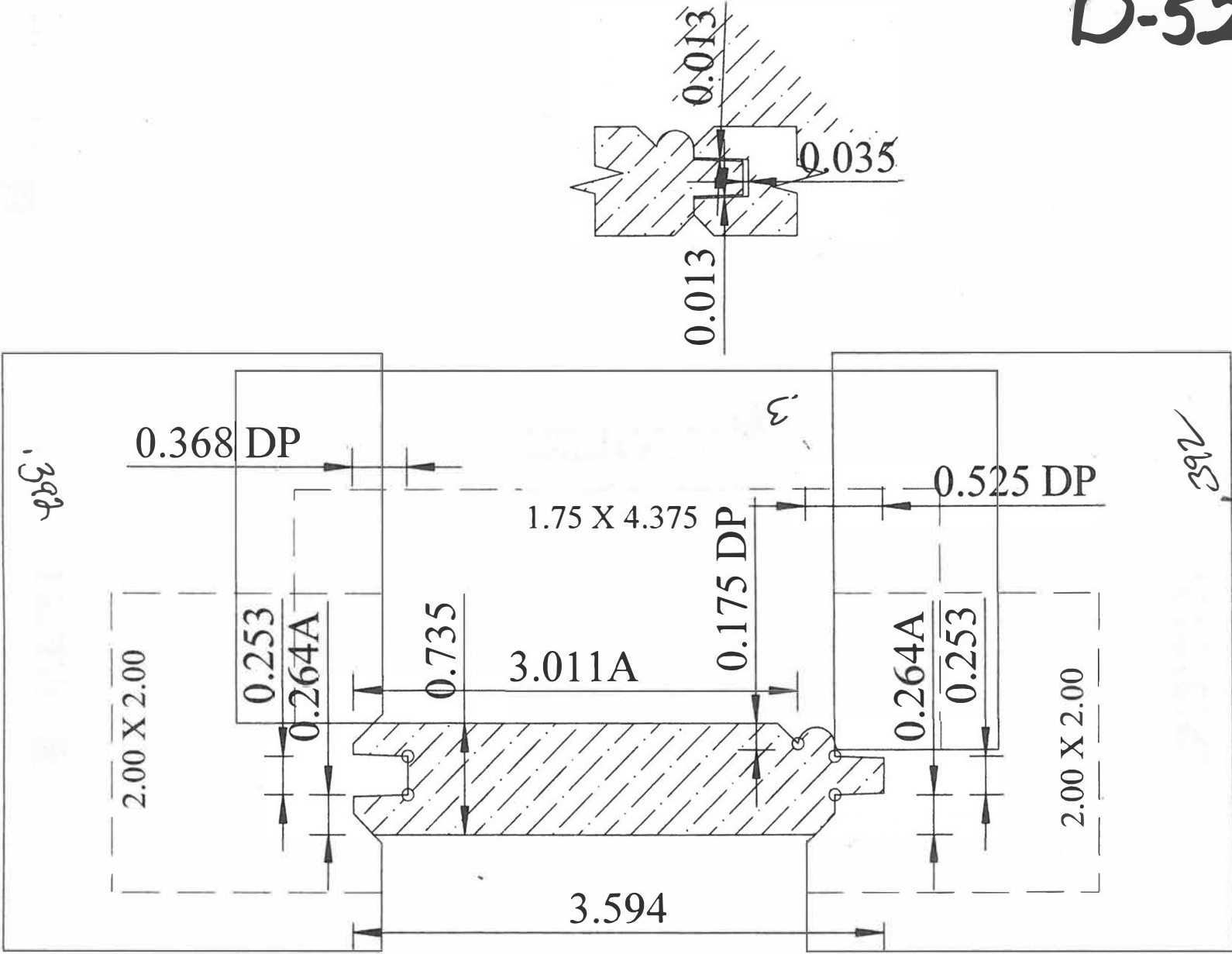
C-82



C-91



D-52



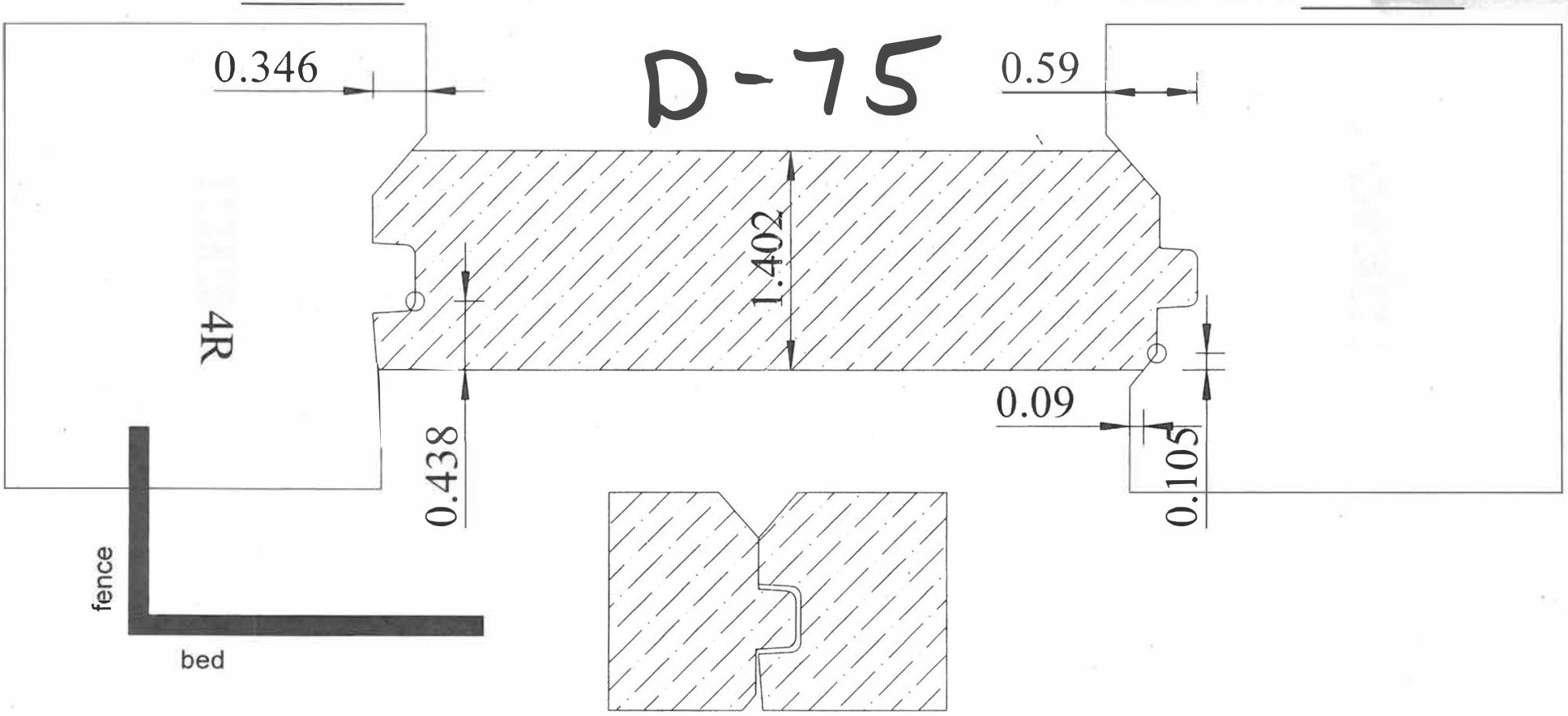
fence

bed



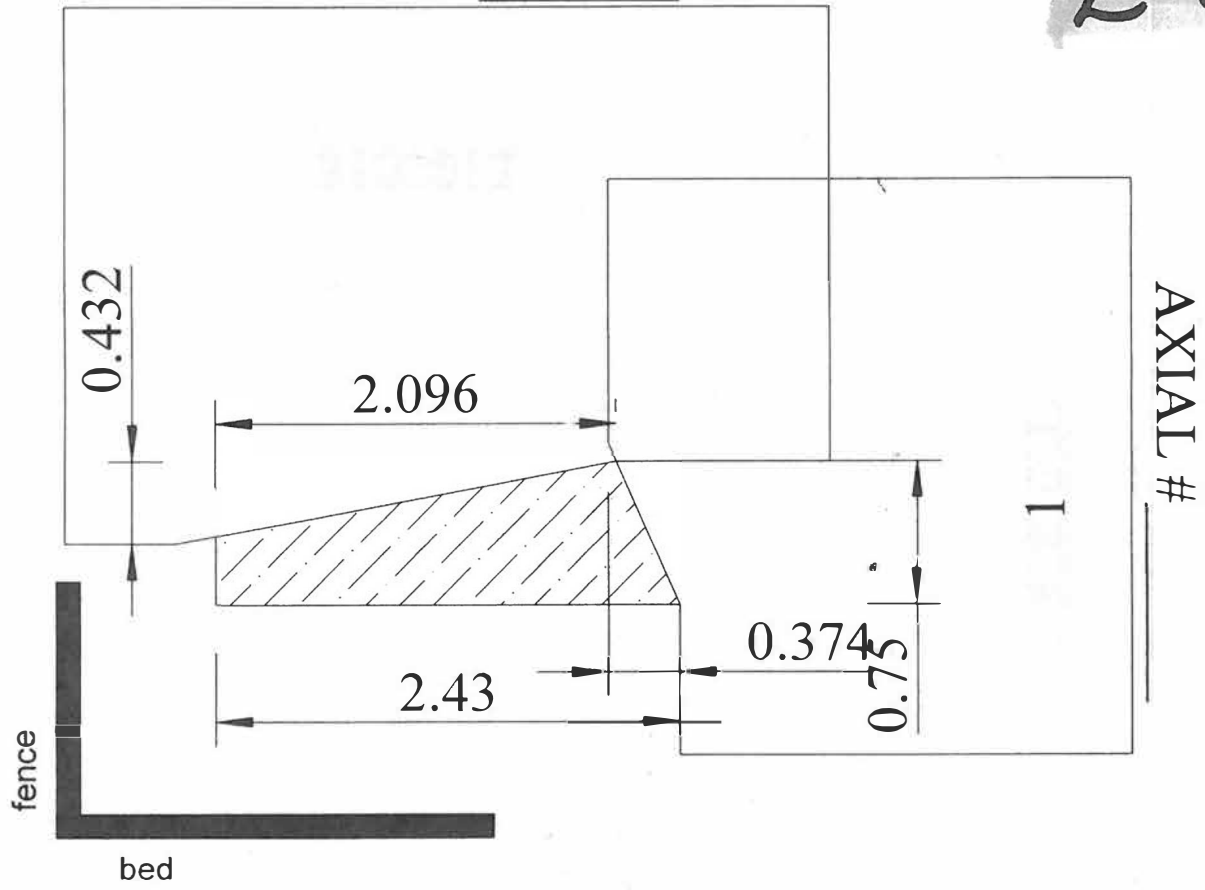
D-75

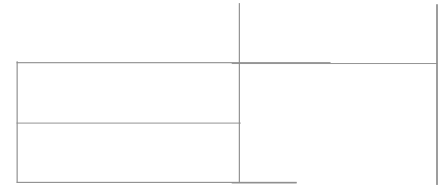
D-75



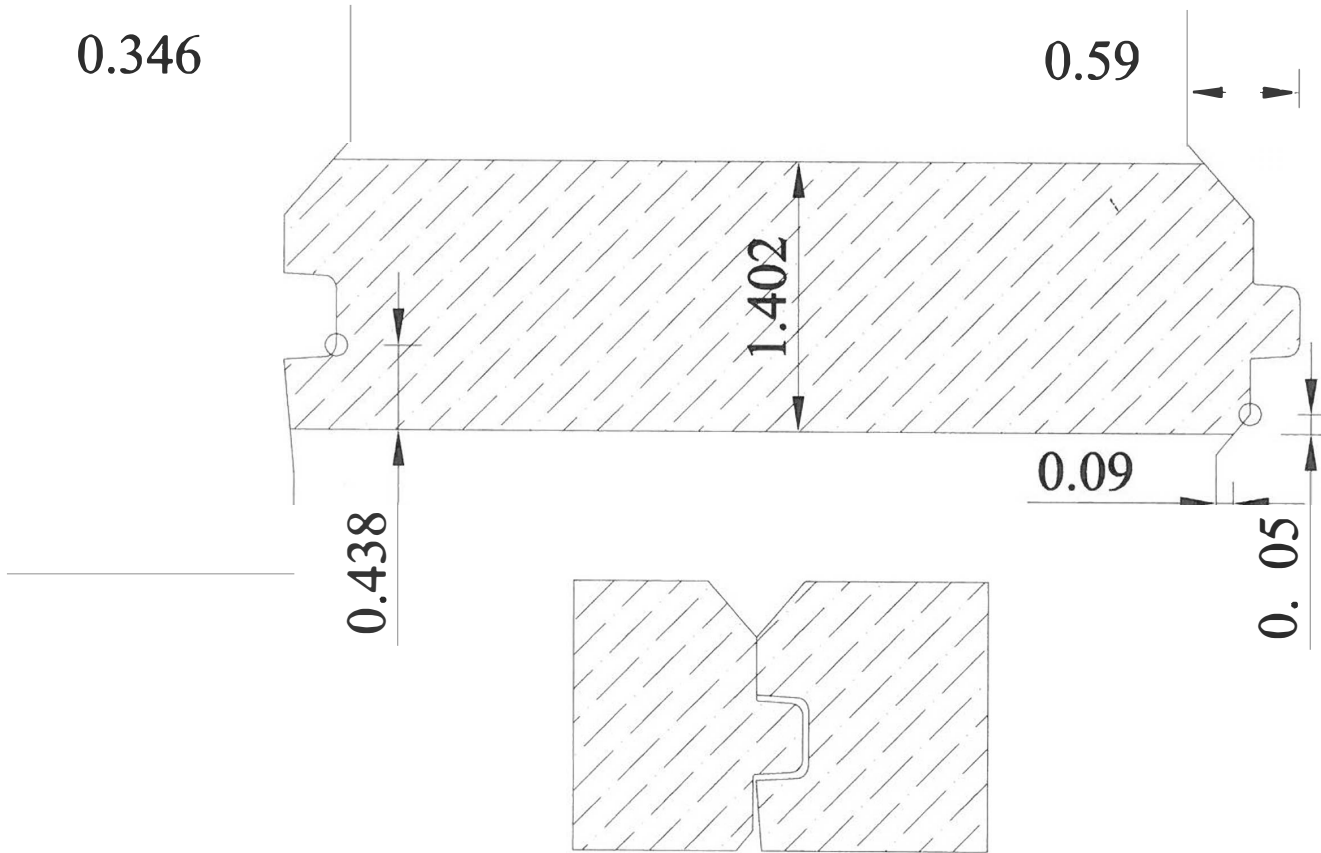
	Number	Value
1	2.096	0.432
2	2.43	0.75

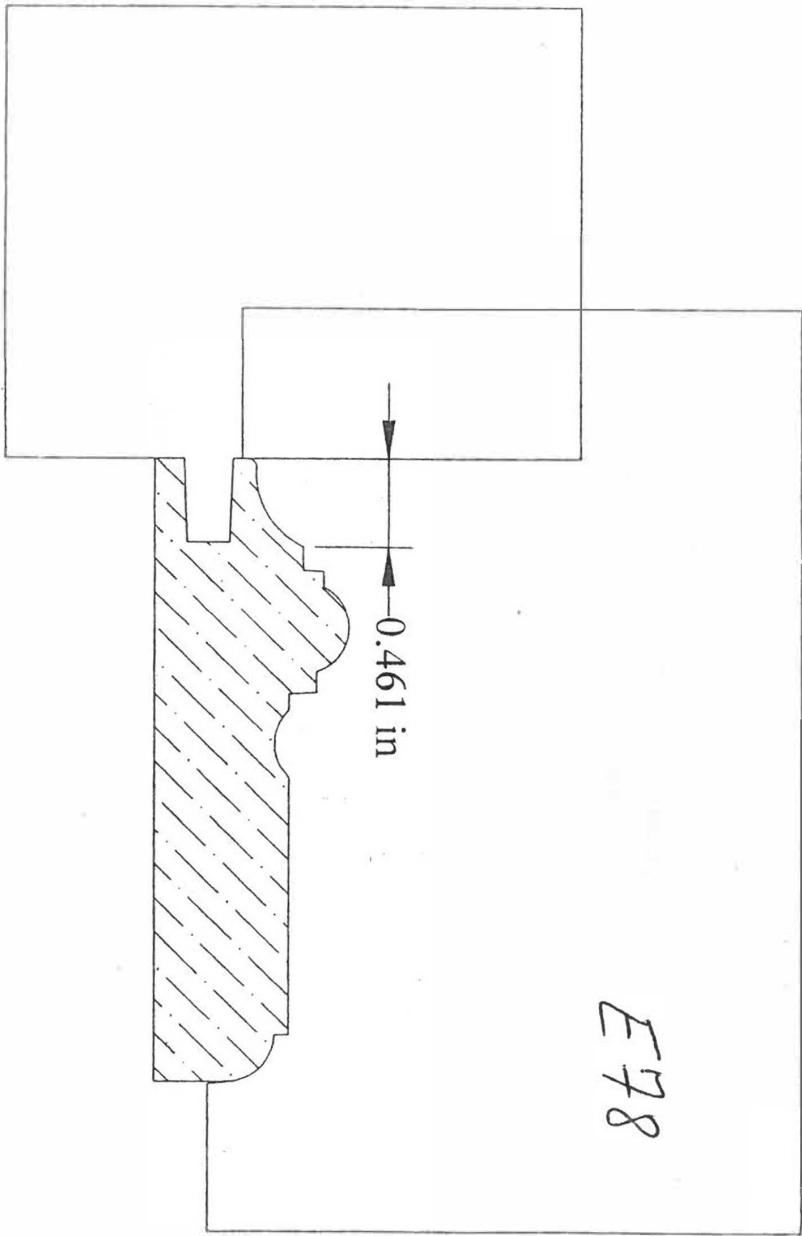
E-35





E-76

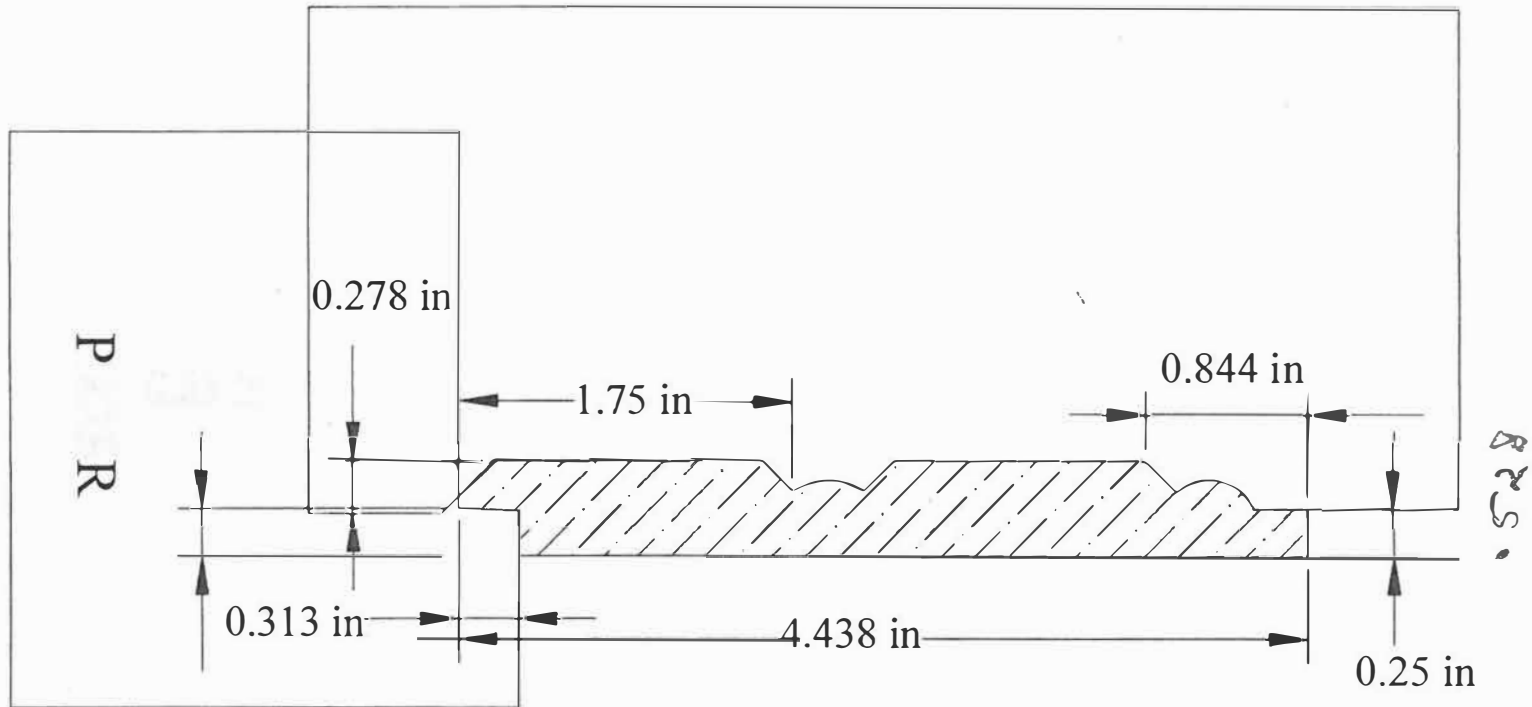




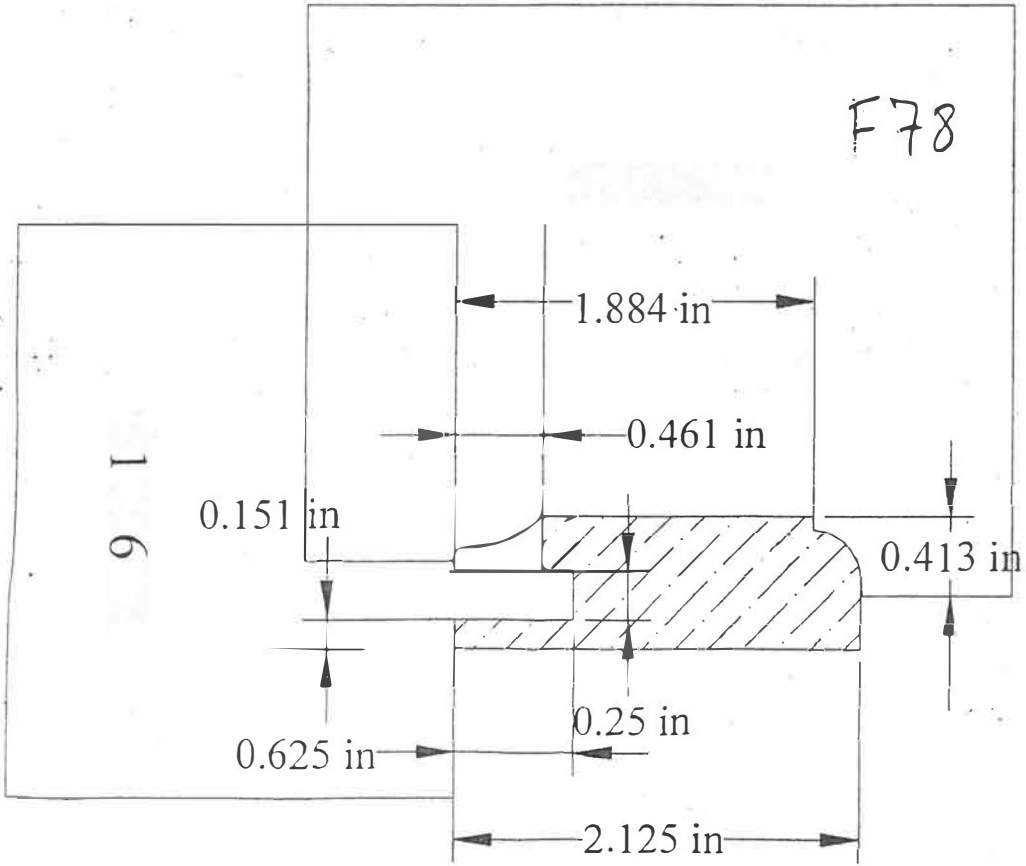
E-78

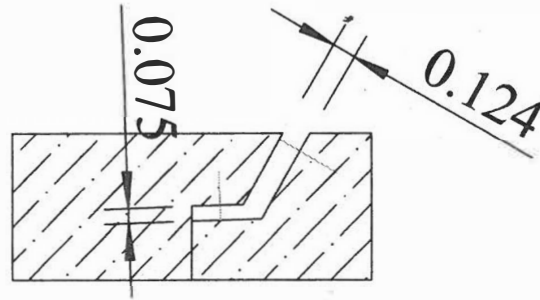
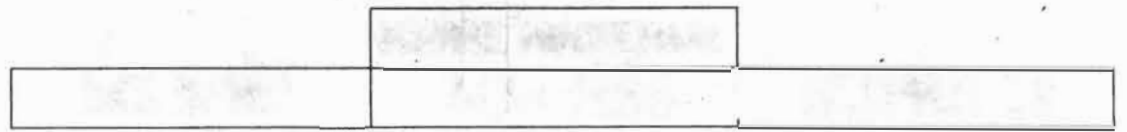
E-78

F-72

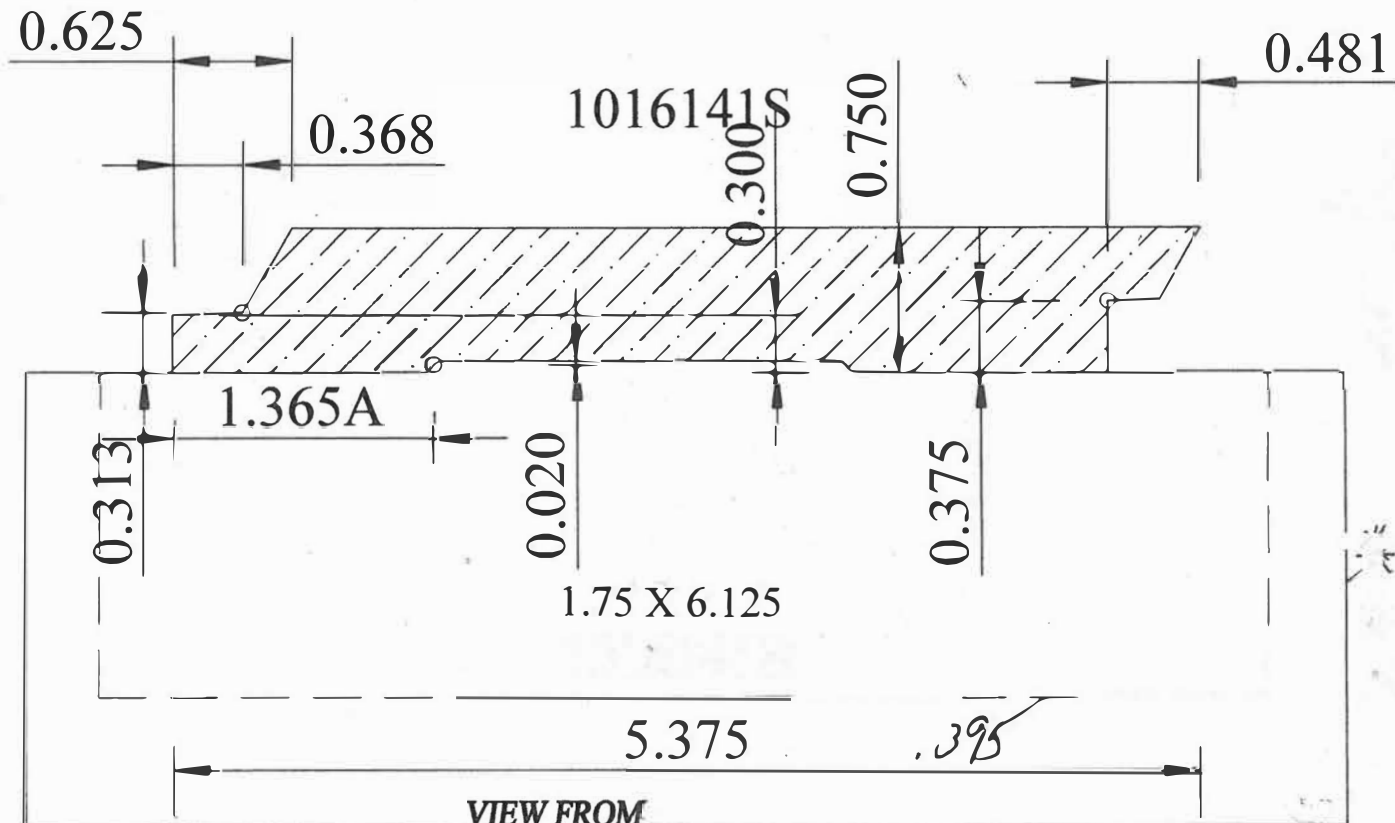


F-78

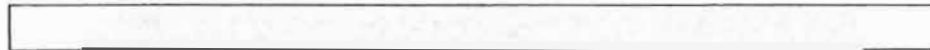
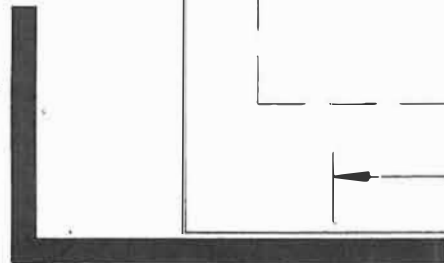




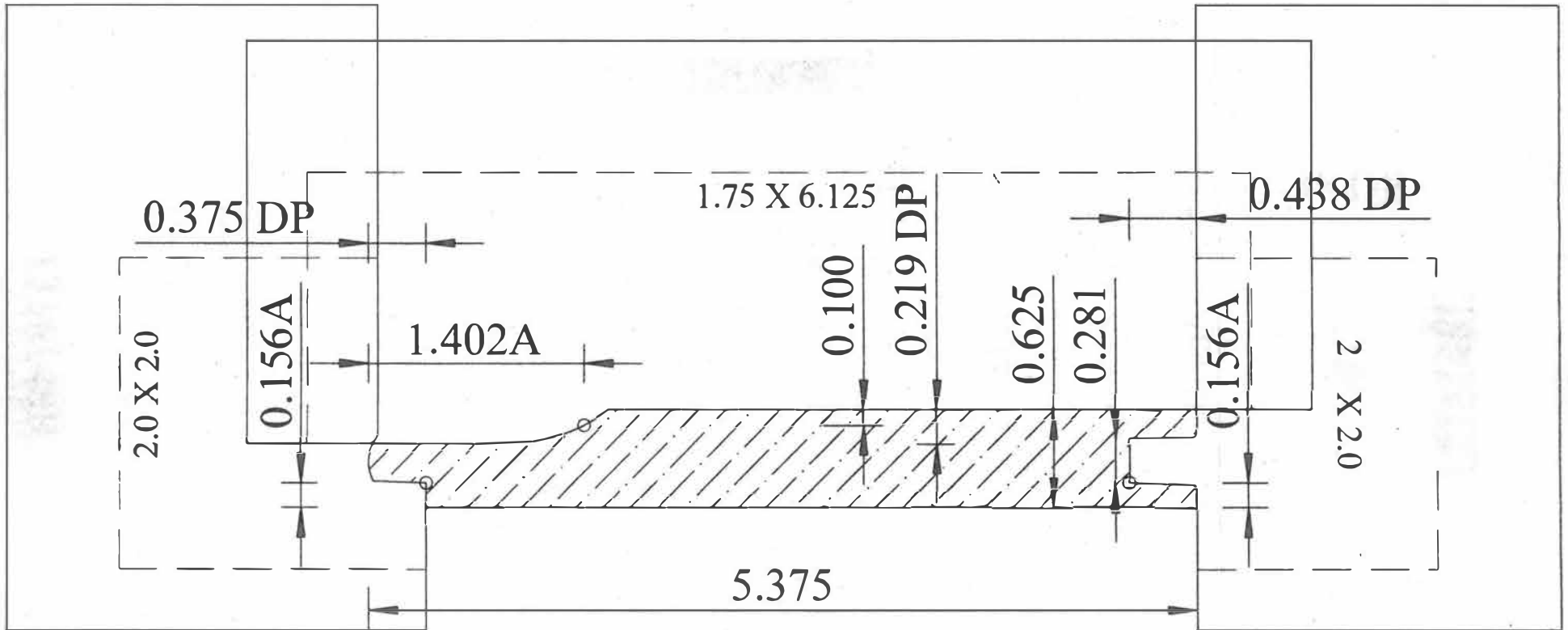
F-95



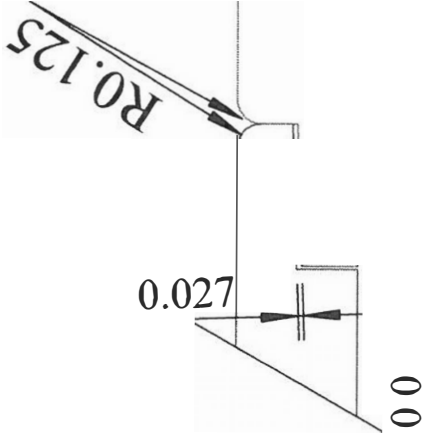
fence



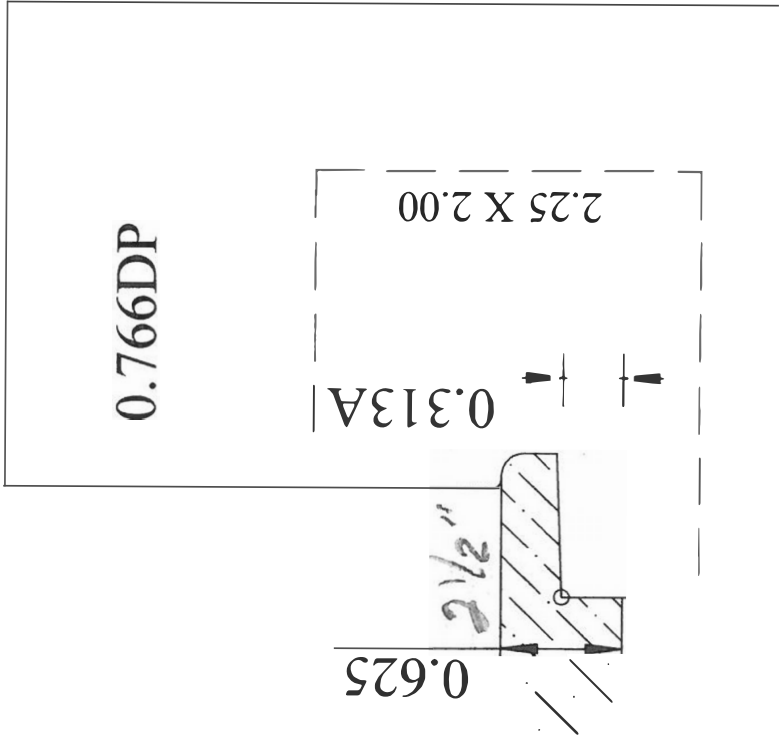
G-94



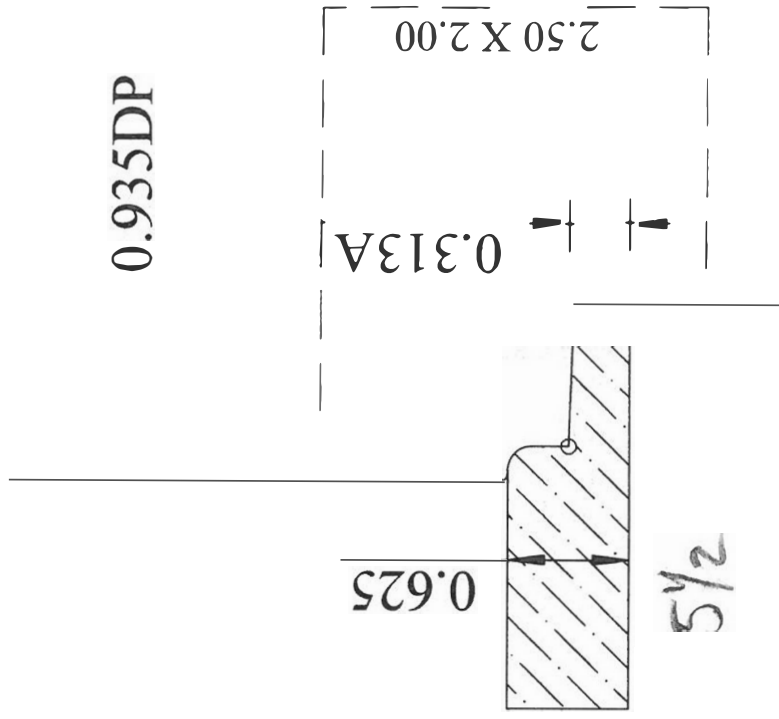
A-65



||



0.766DP

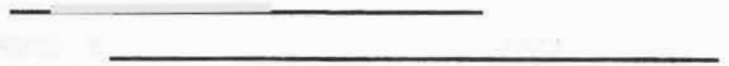
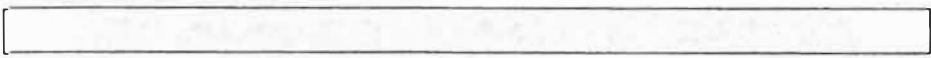
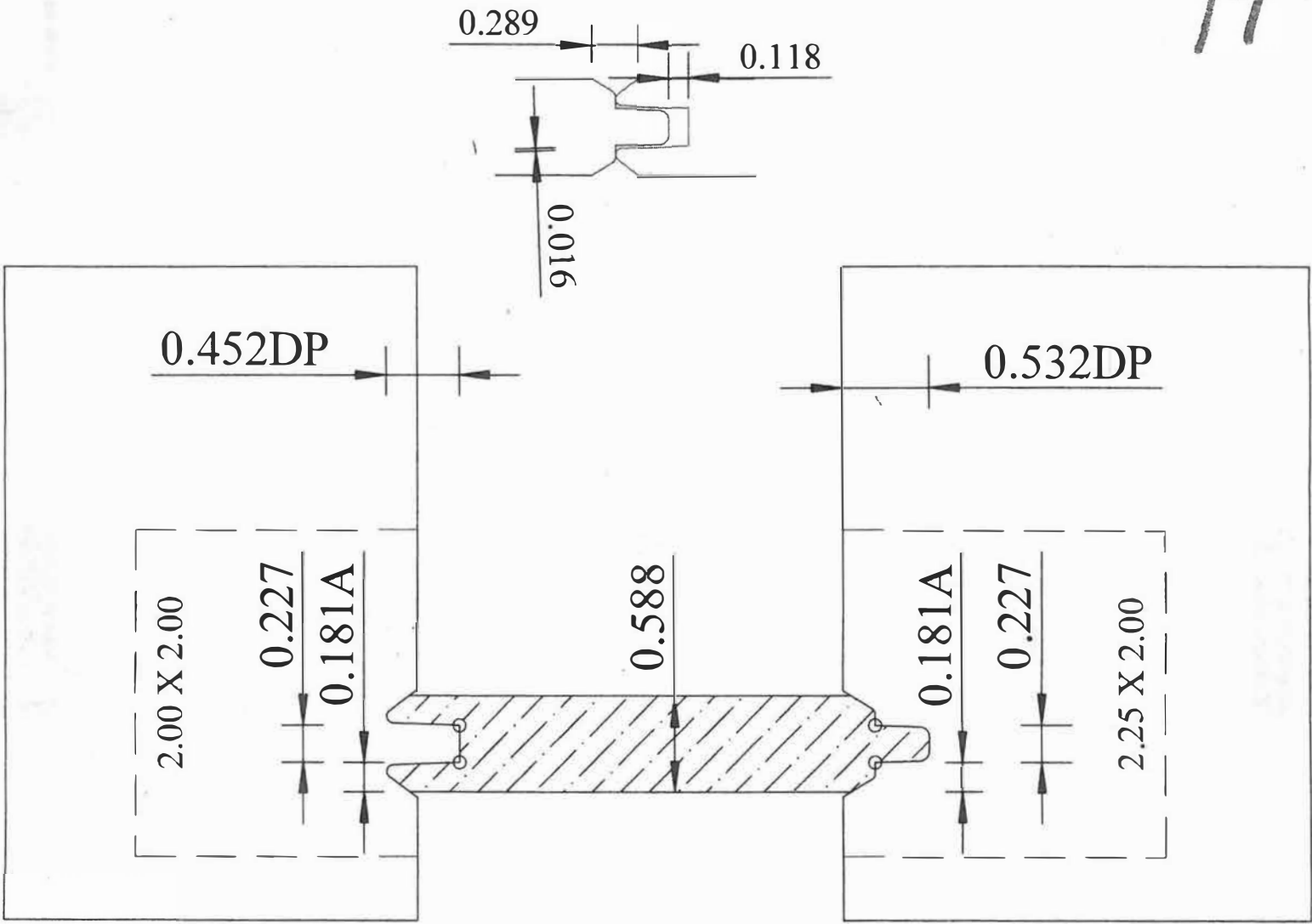


0.935DP

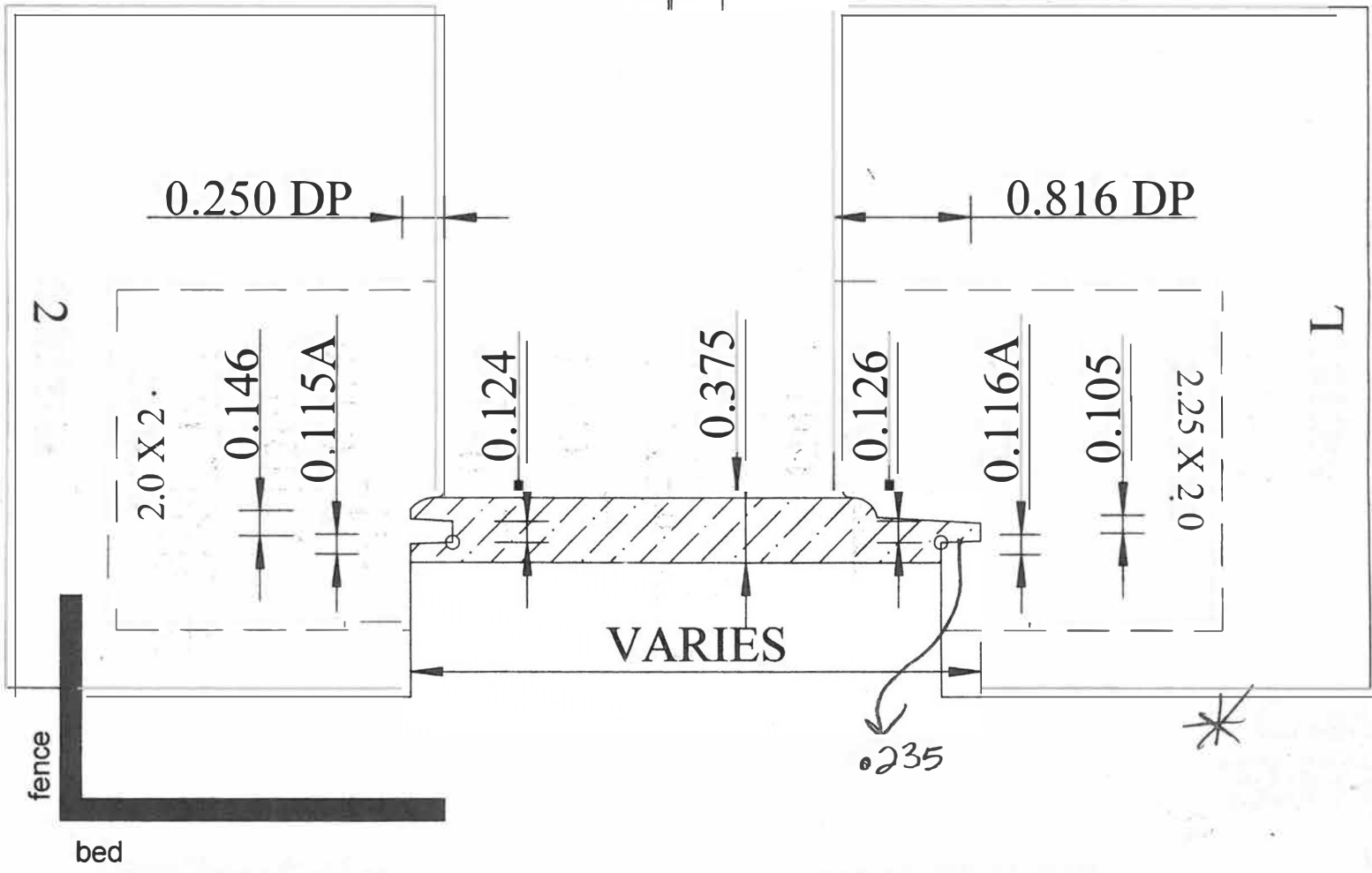
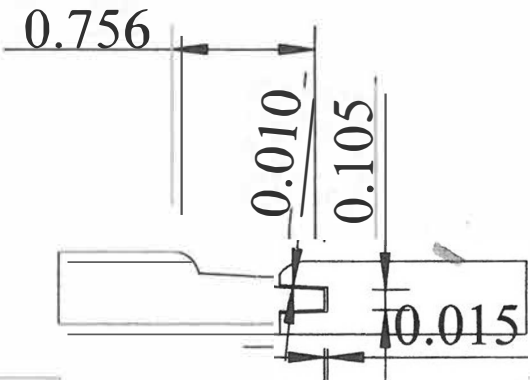
FENCE

H-73

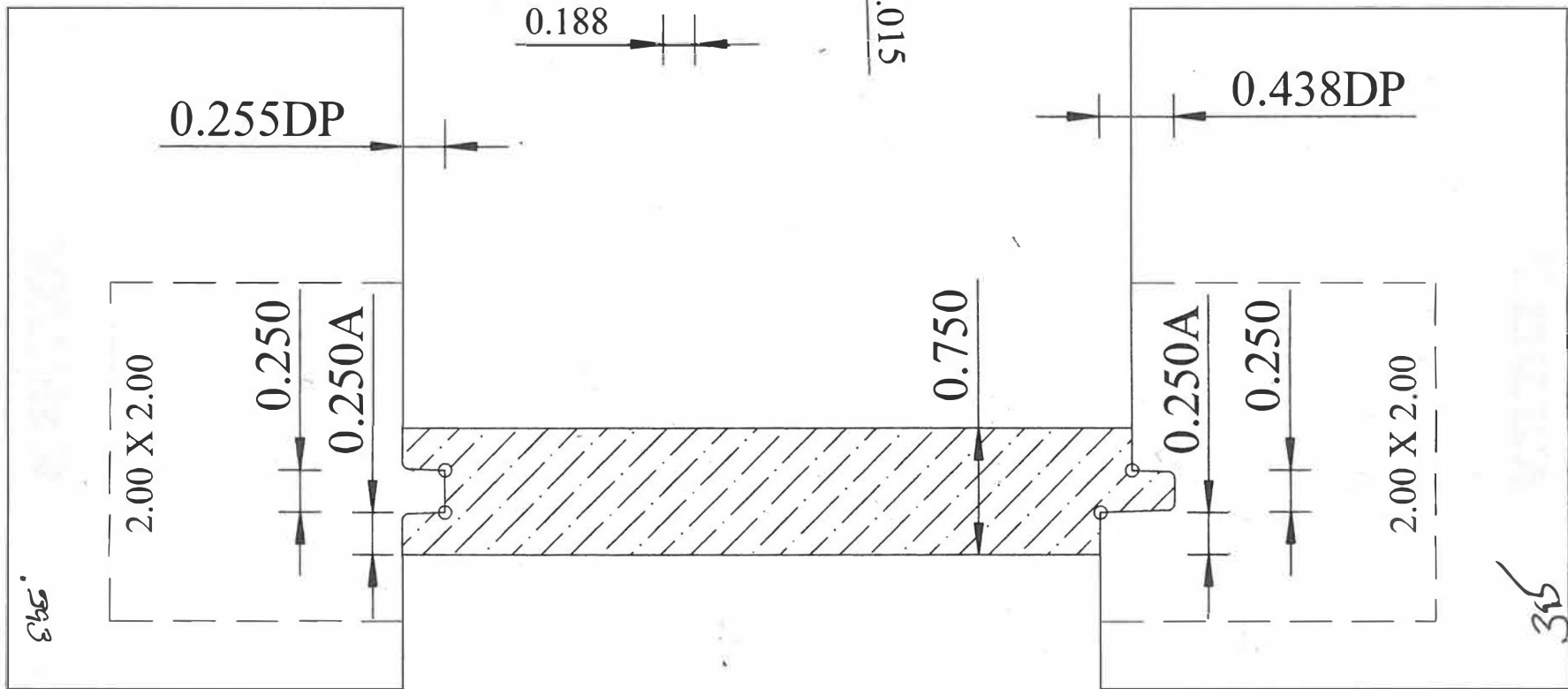
FENCE



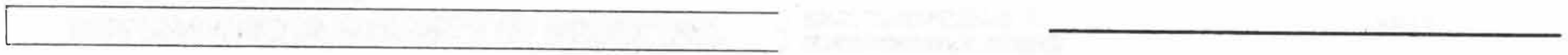
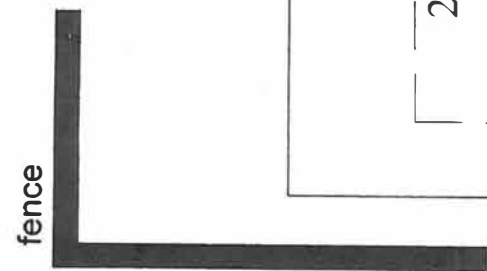
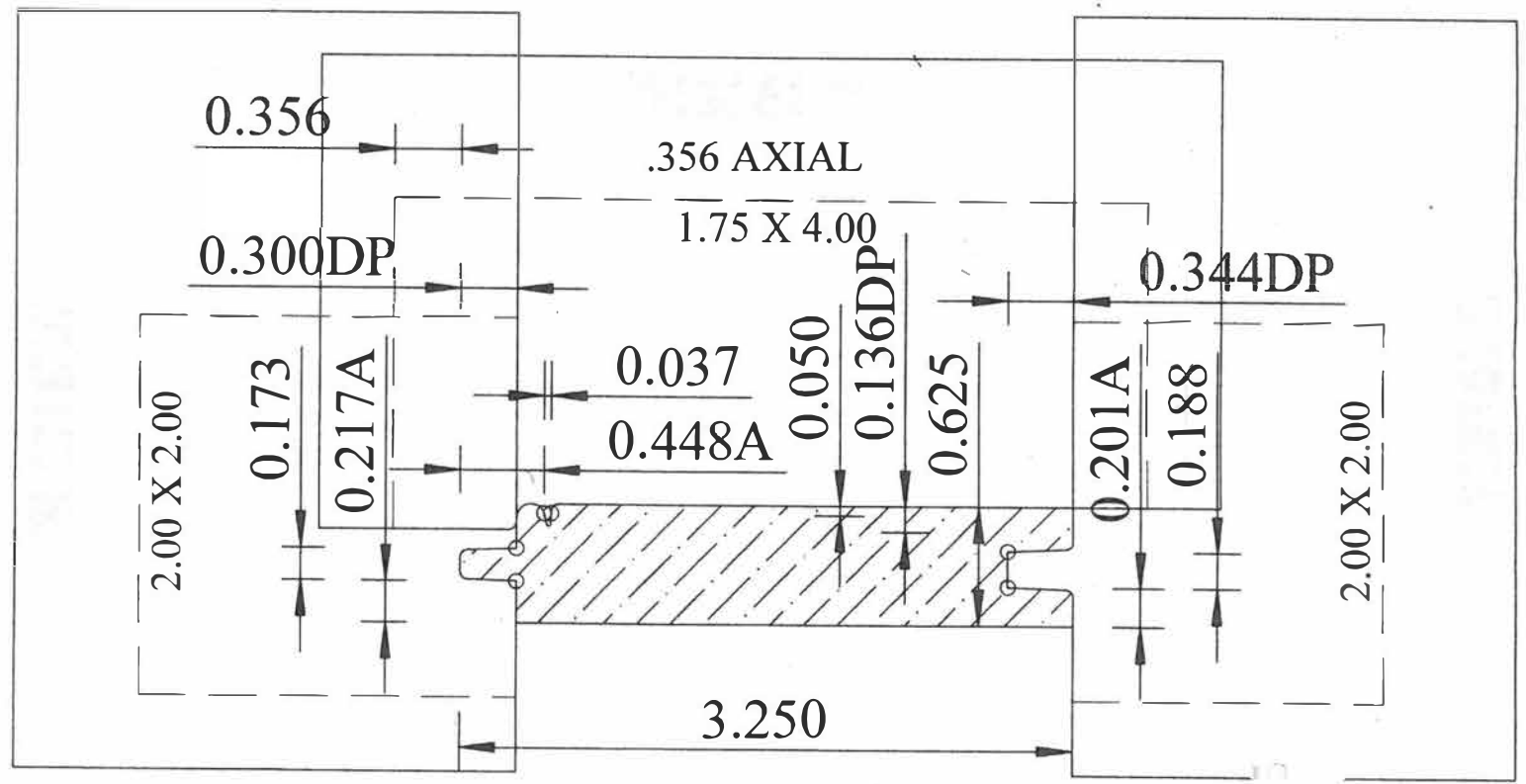
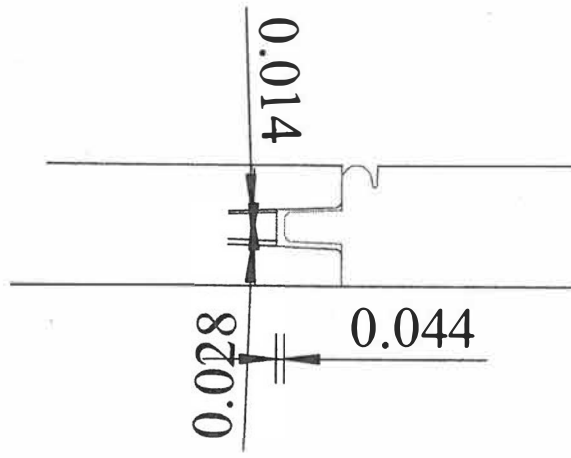
A-96



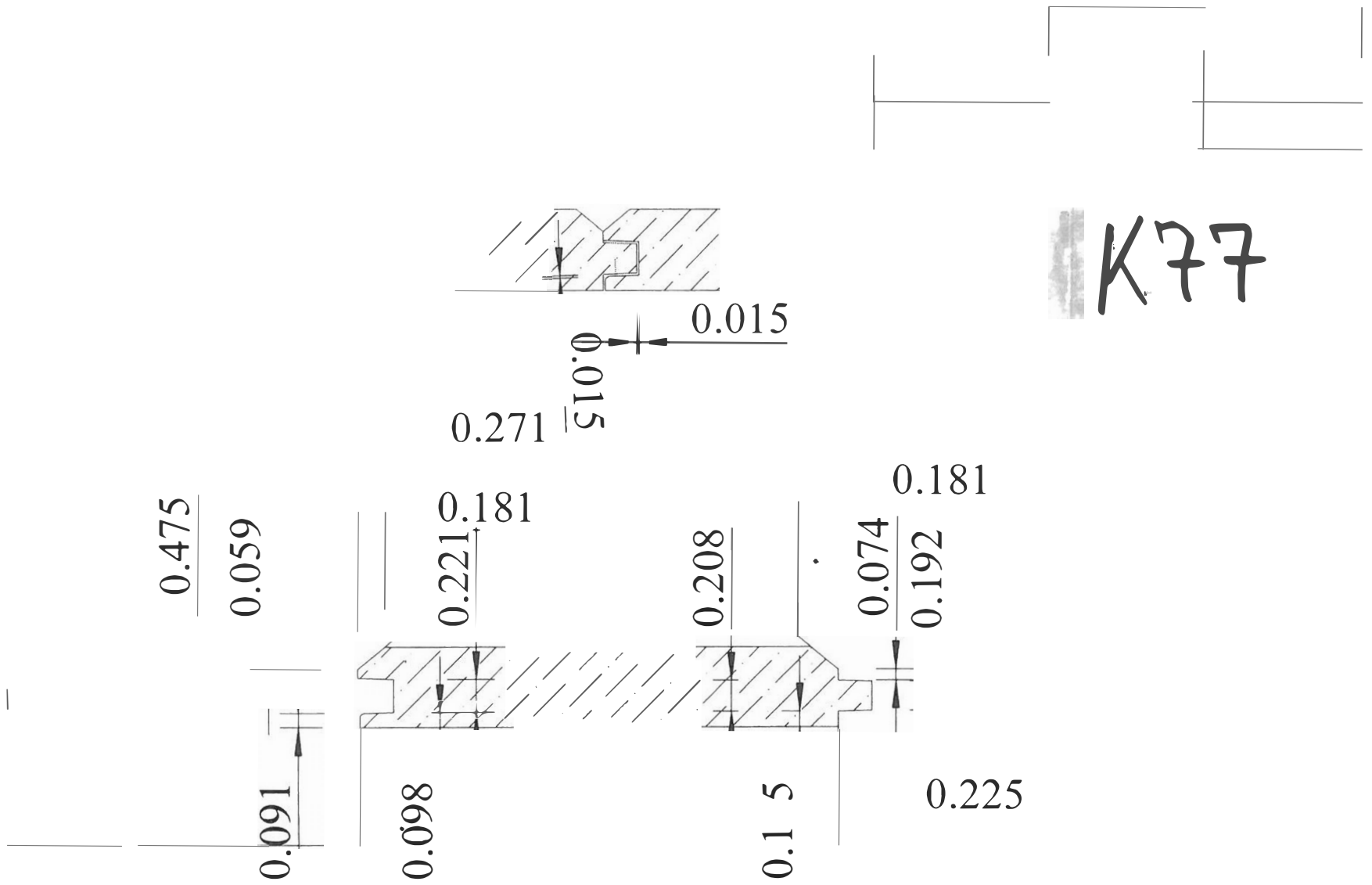
I-36



J-666



AXIAL # 50



nce

Machine set 3,500 w
562 H

@ .525

x

K-95

