

CLEAN ENERGY FLOWING



ROM ENERGY TECH
Clean energy flowing

Commercial & Industrial

Energy Storage Solution



KOWINT ENERGY

Rom Energy Tech

Copyright © 2024 Rom Energy Tech - Todos los derechos reservados.



KOWINT

YOUR GREEN ENERGY MANUFACTURER

Established in 2014, KOWINT ENERGY is a high-tech enterprise focusing on the R&D, design, production, and sales of lithium battery energy storage systems, BMS, EMS, and lithium battery modules.

We have continuous independent innovation capabilities, excellent lithium battery module development & design abilities, and advanced manufacturing technology. Our products have passed UL, CE, ROHS, TUV, PSE, and other related certifications. Our factory has passed ISO9001 and ISO14000 system certifications.

Our products are designed to meet the needs of a wide range of applications, from residential and commercial buildings to industrial facilities and utility-scale projects. Whether you're looking to reduce your energy bills, increase your energy independence, or support your sustainability goals, KOWINT has the right solution for you.

10⁺

Years Experience
in the energy storage

4

Countries with
warehouse deployment

3GWh/year

Global
Production Capacity

MAIN BUSINESS



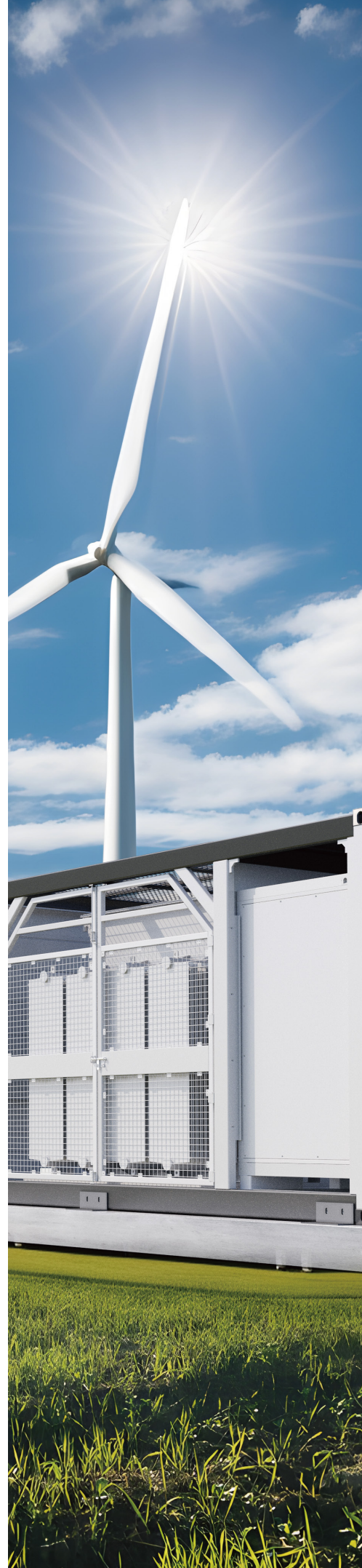
Residential Solution



C&I Solution



UPS Solution



CONTENTS

To produce world-class energy storage products
To serve the consumers in the global market



01 Battery Storage System

KS-60A	01
KS-215B	03
KS-215E	05
KS-215C	07

02 Distribution Cabinet System

KS-233A	09
KS-233C	11
P-Block	13

03 Selection

Selection	15
-----------	----



ROM ENERGY TECH
Clean energy flowing

60kWh Air-Cooling Battery

KS-60A



HIGH PERFORMANCE

- >8000 Life Cycles.
- Black start, off-grid ops.



SAFE AND RELIABLE

- Full Power temperature control.
- IP55 design, minimize external environmental impact.



FLEXIBLE APPLICATION

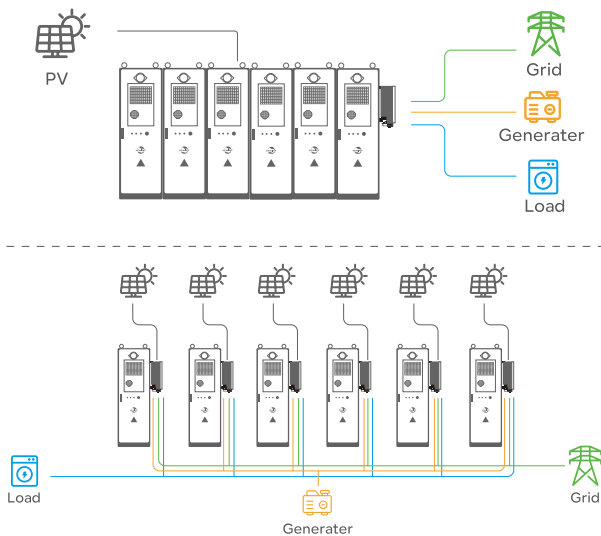
- Ideal for frequent, intensive energy cycling apps.



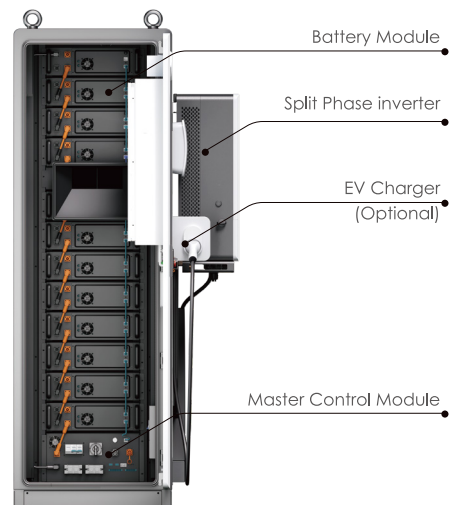
USER FRIENDLY SETUP

- Cloud platform / APP remote monitor.

● System Layout



● System Demonstration



● Product Specifications

Battery Energy Storage	Optional 1	Optional 2
Cell Chemistry	LiFePO4	LiFePO4
Module Energy(kWh)	5.12	5.12
Module Nominal Voltage(V)	51.2	51.2
Module Capacity (Ah)	100	100
Battery Module Combination	6S2P	12S1P
System Nominal Voltage(V)	307.2	614.4
System Operating Voltage(V)	281.25 ~ 340.8	562.5 ~ 681.6
System Energy(kWh)	61.44	61.44
Charge/Discharge Current(A)	100	100

PV Input

Max. Input Power(kW)	45	90
Max. Input Voltage(V)	550	1100
Start-up Voltage(V)	80	200
Rated Voltage(V)	360	730
MPPT Voltage Range(V)	80 ~ 520	200 ~ 1000
Number of MPP Trackers	4	4
Max. Current per MPPT(A)	40/40/40/40	40/40/40/40

Charging System(Optional)

Charging Type	Charging Mode 3 Case c, level 2
Outlet options	AC Type 1 (SAEJ1772)
Input/Output Current rating(A)	32 / 48 / 80
Input/Output Power rating(kW)	7.7 / 11.5 / 19.2@240VAC
Input/output voltage(Vac)	208 ~ 240
Input Frequency(Hz)	50 / 60
Cable Length	16 feet, Optional: 25 feet
Distribution Systems	Single phase, split-phase
Connector Type	L1+L2+PE
Certifications	UL2594, UL2231-1, UL2231-2, UL1998 UL991FCC Part 15 ClasS B, ENERGY STAR

AC Output (EPS)

Max. Output Power (kW)	33	66
Peak Output Power, Time(kVA,s)	45, 7s	120, 7s
Rated Voltage (V)	120 / 208	277 / 480
THDv(@Rated Power)	<3%	<3%
Switch Time (ms)	<10	<10

AC Output (On-Grid)

Rated Output Power(kW)	30	60
Max. Output Power(kVA)	33	66
Max. Output Current(A)	91.6	79.4
Rated Voltage(V)	120 / 208	277 / 480
Rated Frequency(Hz)	50 / 60	50 / 60
THDi(@Rated Power)	<3%	<3%
Power Factor	0.8 leading~0.8 lagging	

General Parameters

Battery Module	K-KS061030A0-US / K-KS061060A0-US
Dimension(W*D*H)	750*950*2280mm / 29.5*37.4*89.7in
Weight Approximate	1050kg / 2314.8lb
Working Temperature(°C)	-20 ~ 55°C
Communication Interface	CAN, RS485, Wi-Fi, LTE
Humidity(RH)	5%~85%RH
Altitude(m)	≤2000m
IP Rating	IP55
Storage Temperature(°C)	-20~35°C
Recommend Depth of Discharge	90%
Cycle Life	>8000 cycles
Warranty	3 Years Free, Paid From The 4th To The 15th Year
Certification	UL1973, UL9540A, UN38.3, IEC62619 UL 1741-2021 (incl UL1741SB), CSA C22.2, No 107.1-16 IEE 1547-2018 & 1547a-2020 & 1547.1-2020 (SRD V2.0), UL1699B



ROM ENERGY TECH
Clean energy flowing

114~215kWh Air-Cooling Battery

KS-215B



HIGH PERFORMANCE

- >8000 cycles life.
- Lifespan surpassing 15 years.



SAFE AND RELIABLE

- System-level fire protection, active early warning system.
- IP55 design , available for indoor / outdoor.



FLEXIBLE APPLICATION

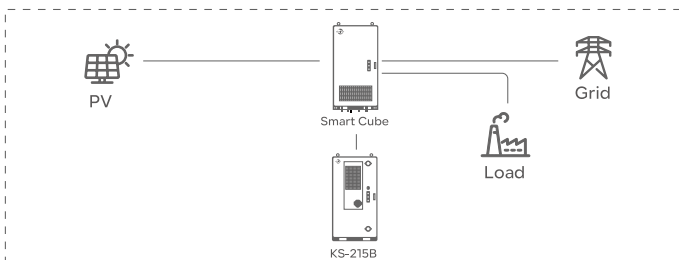
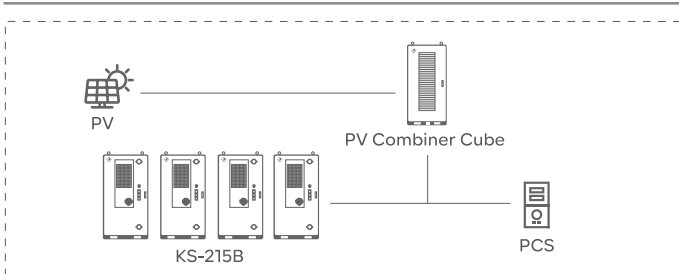
- Efficient BMS Technology.



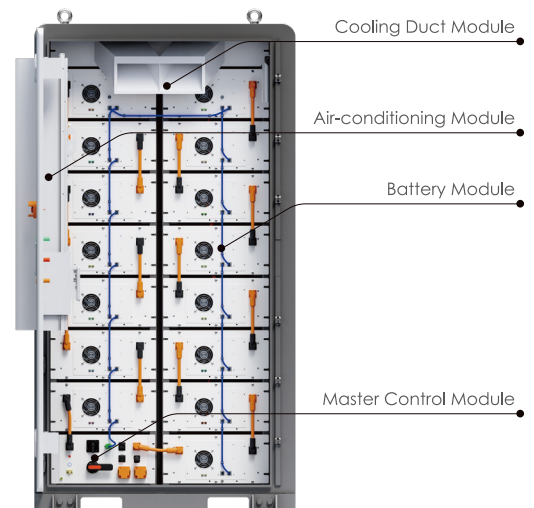
EASY INSTALLATION

- Modular design for ease of expansion.

System Layout



System Demonstration



● Product Specifications

Battery Energy Storage	114kWh	129kWh	143kWh	157kWh	172kWh	186kWh	200kWh	215kWh
Single Cell Type	LFP 3.2V / 280AH							
Module Combination	1P16S							
System Combination(Modules)	8	9	10	11	12	13	14	15
Capacity(kWh)	114.69	129.02	143.36	157.70	172.03	186.37	200.70	215.04
Nominal Voltage(Vdc)	409.6	460.8	512	563.2	614.4	665.6	716.8	768
Voltage Range(Vdc)	345.6 ~ 460.8	388.8 ~ 518.4	432 ~ 576	475.2 ~ 633.6	518.4 ~ 691.2	561.6 ~ 748.8	604.8 ~ 806.4	648 ~ 864
Charge/Discharge Current	0.5C							
Discharge Depth	100% DoD							
Service Life	>8000 cycles@80% DoD							
Thermal Management Mode	Air-cooling Technology							
Thermal Runaway Management	Aerosol Extinguishing or PFH							

System Characteristic

Communication Interface	CAN							
Warranty	3 Years Free, Paid From The 4th to The 15th Year							
Certifications(Cell)	UN38.3, UL1973, IEC62619, UL9540A, GB/T 36276							
Certifications(System)	IEC62477, IEC62619, IEC61000-6-2/4, UN3480							

General Parameters

Battery Module	K-KS215ACB01							
Dimensions(W*D*H)	1250*1200*2350mm / 49.2*47.2*92.5in							
Total Weight	1394kg 3073lb	1502kg 3311lb	1610kg 3549lb	1718kg 3787lb	1826kg 4025lb	1934kg 4263lb	2042kg 4462lb	2150kg 4740lb
Operation Altitude	2000m / 6561ft							
Noise Level @1m	<75 dB(A)							
IP Rating	IP55							
Operating Temperature(°C)	-30 ~ 55							
Operating Humidity(RH)	0 ~ 95%							
Storage Conditions	-20°C ~ 30°C, Up to 95% RH, non-condensing, State of Energy (SoE): 50% initial							



ROM ENERGY TECH
Clean energy flowing

Intelligent EMS Cabinet (for KS-215B)

KS-215E



HIGH PERFORMANCE

- >8000 cycles life.
- Combines PCS, DCDC, and STS modules.



SAFE AND RELIABLE

- Enhances system stability and efficiency.
- Reliable energy storage, conversion, smart scheduling.



FLEXIBLE APPLICATION

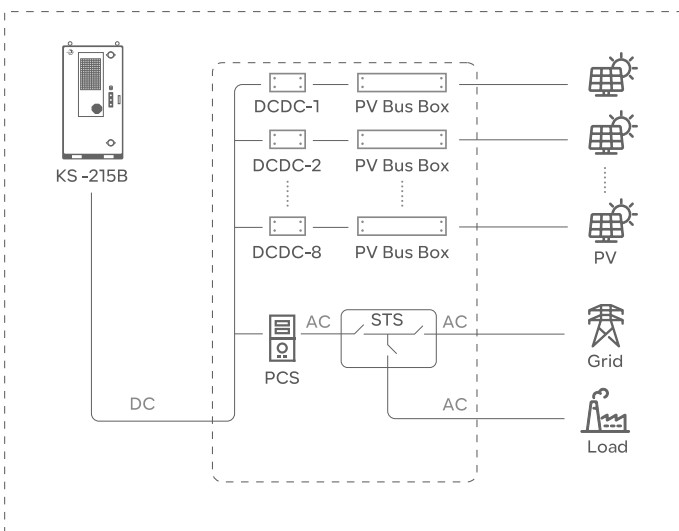
- Efficient BMS Technology.



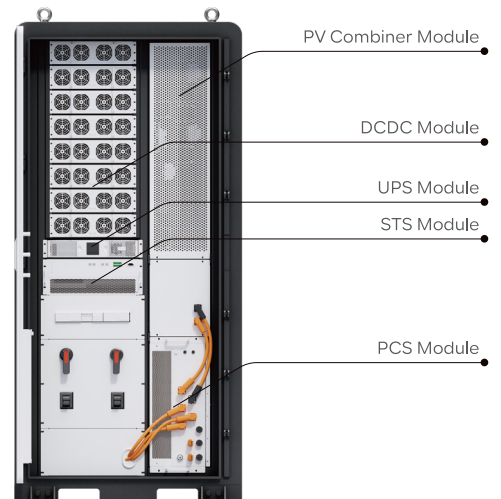
USER FRIENDLY SETUP

- Real-time monitoring and optimization of energy flow.

● System Layout



● System Demonstration



● Product Specifications

PV Input

Rated Power (kW)	240
Input Voltage(Vdc)	300~825
The Max. Static Voltage Borneunder No Operation(Vdc)	900
Rated Voltage(Vdc)	700
Standby Power Consumption	<14W*8 @700Vdc with normal sandby mode / <4W*8 @700Vdc with super sandby mode
Max. Input Current(Adc)	50*8
Number of MPPT	8
No. of PV Strings per MPP Trackers	4

Battery Input

DC Input (Vdc)	1500
DC Voltage Range (Vdc)	720~1300
Max. DC Current (A)	195
Auto Buffering Function	Yes
DC Breaker	No

AC Output

Rated Grid Voltage (Vac)	480 / 3P3W
Max. Continuous Input Current (Aac)	165.4
Rated Frequence (Hz)	60
Rated Power (kW)	107
Power Factor	>0.99(at rated power)
Adjustable Power Factor	-1~1
THDi	<3%(at rated power)
Overload Capacity	110%
Integrated STS	NO

System Characteristic

Warranty	3 Years Free, Paid From The 4th to The 15th Year
Certification(PCS)	UL1741, CSA C22.2 No 107.1, IEEE1547
Certification(MPPT)	UL2202

General Parameters

Battery Module	K-KS107EMCA0-US
Dimensions(W*D*H)	1100*1200*2350mm / 43.3*47.2*92.5in
Total Weight	800kg / 1763.7lb
Cooling	Intelligent Air-cooling
Operation Altitude	2000m / 6561ft
Noise Level@1m	<75 dB(A)
IP Rating	IP54
Operating Temperature(°C)	-35°C ~ 60°C
Operating Humidity(RH)	0 ~ 95%

PV Combiner Cabinet (for KS-215B)

KS-215C



HIGH PERFORMANCE

- Specially crafted for the "KS-215B".
- MAX. output power 360Kw(12 modules).



SAFE AND RELIABLE

- IP55 design, minimize external environmental impact.



FLEXIBLE APPLICATION

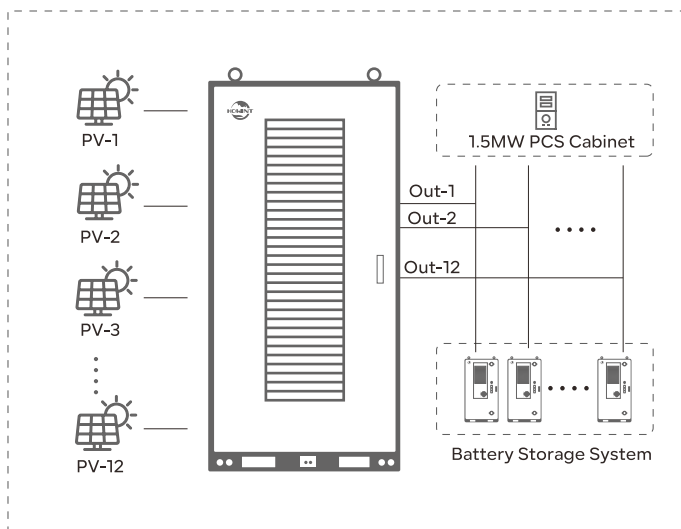
- Energy collection efficiency by seamlessly integrating multiple photovoltaic arrays.



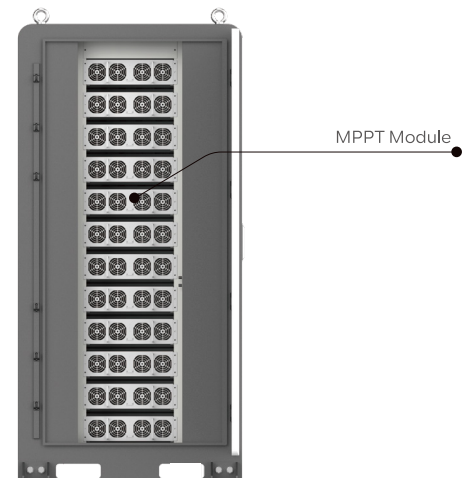
EASY INSTALLATION

- Modular design for ease of expansion.

● System Layout



● System Demonstration



● Product Specifications

PV Input

Input Voltage(Vdc)	300 ~ 825
The Max. Static Voltage Borne under No Operation(Vdc)	900
Rated Voltage(Vdc)	700
MPPT Operating Voltage Range(Vdc)	300 ~ 740
MPPT Full Load Voltage Range(Vdc)	650 ~ 740
MPPT Starting Voltage(V)	375
MPPT Efficiency	>99.5% (MPP≥5000W)
Max. Input Current(Adc)	50*12
Number of MPPT	12
No. of PV Strings per MPP Trackers	4

DC Output

Individual Module Output Power(kW)	30
Max. Number of Modules	12
Total Output Power(kW)	360
Output Voltage Range(Vdc)	150 ~ 1000
Output Current Range(Adc)	0~100@Per MPPT
Voltage Regulation Accuracy	<±0.5%(150~1000V, 0 ~ 20MHz)
Precision of Steady Current	≤±1%(Output Load 20% ~ 100%)
Load Regulation	≤±0.5%
Source Adjustment Rate	≤±0.1%(The Test Range Is 650V ~ 825V)
Start the Overshoot	≤±3%
Voltage Ripple Factor	≤1%(150 ~ 1000V, 0 ~ 20MHz)

System Characteristic

Communication Interface	CAN bus, LAN
Warranty	3 Years Free, Paid From the 4th to The 15th Year
EMC / EMI	EN61851-21-2, class B
Safety	UL2202, EN61851-1, EN61851-23

General Parameters

Battery Module	K-KS360PCCD0-US
Type of Cooling	Forced Air-cooling
Dimensions(W*D*H)	1120*1220*2170mm / 44*48*85.4in
Total Weight	1100kg / 2425lb
Altitude	<2000m
Noise Level@1m	<75 dB(A)
IP Rating	IP54
Operating Temperature(°C)	-40 ~ 75(Above 55°C Needs to Be Reduced)
Storage Temperature(°C)	-40 ~ 70
Relative Humidity	≤95%RH, non-condensing



ROM ENERGY TECH
Clean energy flowing

233kWh Liquid-Cooling Battery

KS-233A



HIGH PERFORMANCE

- High-efficiency liquid cooling.



SAFE AND RELIABLE

- battery monitoring, fire prevention, a top venting design.
- AI management.



FLEXIBLE APPLICATION

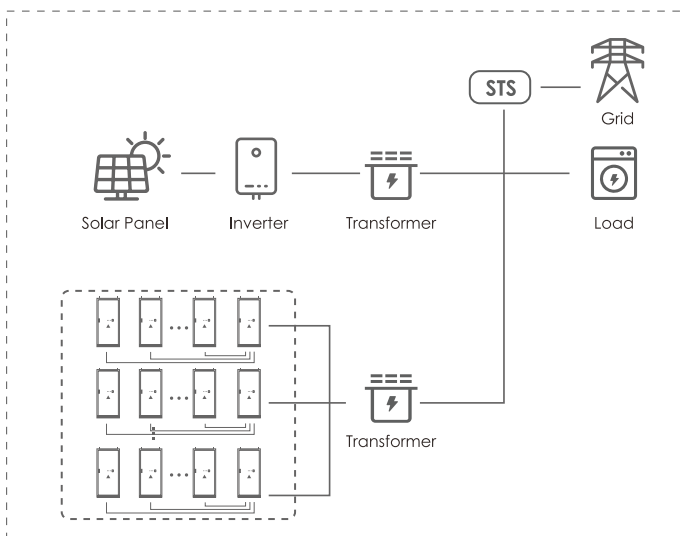
- Efficient BMS Technology.



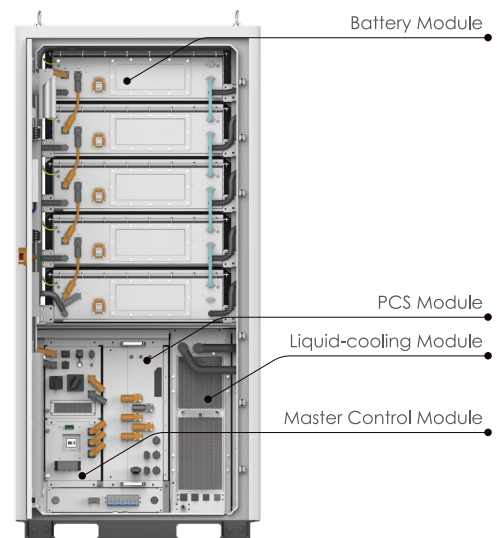
EASY INSTALLATION

- Modular design for ease of expansion.

● System Layout



● System Demonstration



● Product Specifications

Battery Energy Storage

Single Cell Type	LFP 3.2V / 280AH
Module Combination	1P52S
System Combination	5 modules in series
Capacity(kWh)	233
Nominal Voltage(V)	832
Operation Voltage Range(Vdc)	702 ~ 949
Discharge Depth	90% DoD
Thermal Management Mode	Liquid Cooling
Thermal runaway management	Aerosol Extinguishing

AC Output

Rated AC output power(kW)	125
Max. AC output power(kVA)	137.5
Rated output voltage(Vac)	480
Output voltage(Vac)range	-15% ~ 10%(settable)
Rated grid frequency(Hz)	60Hz(settable)
Max. output current(A)	165.4
Adjustable power factor	>0.99
THDi	<3%

System Characteristic

PCS Cooling	Forced Air Cooling
PCS Topology	non-isolation
AC/DC start function	Integration
Switch from Grid-connected to Off-grid	Integration
Communication Interface	CAN, RS485, WiFi, LTE
Warranty	3 Years Free, Paid From The 4th to The 15th Year
Certifications	IEC 62619, EN 61000-6-1/2/3/4 EN 62019-1/2, UL1973, UL9540A, UL9540, UN38.3

General Parameters

Battery Module	K-KS233125A0-US
Dimensions(W*D*H)	1100*1450*2350mm / 43*57*92.5in
Total Weight	2950kg / 6503lb
Operation Altitude	2000m / 6561ft
Noise Level@1m	<75 dB(A)
IP Rating	IP54
Operating Temperature(°C)	-20 to 55
Operating Humidity(RH)	0 to 95%
Storage Conditions	-20°C to 30°C Up to 95% RH, non-condensing State of Energy (SoE): 50% initial



ROM ENERGY TECH
Clean energy flowing

AC Combiner Cabinet (for KS-233A)

KS-233C



HIGH PERFORMANCE

- Enhancing the functionality and reliability of the KS-233A .



SAFE AND RELIABLE

- Seamless and efficient energy management experience.
- IP54 design , available for indoor / outdoor.



FLEXIBLE APPLICATION

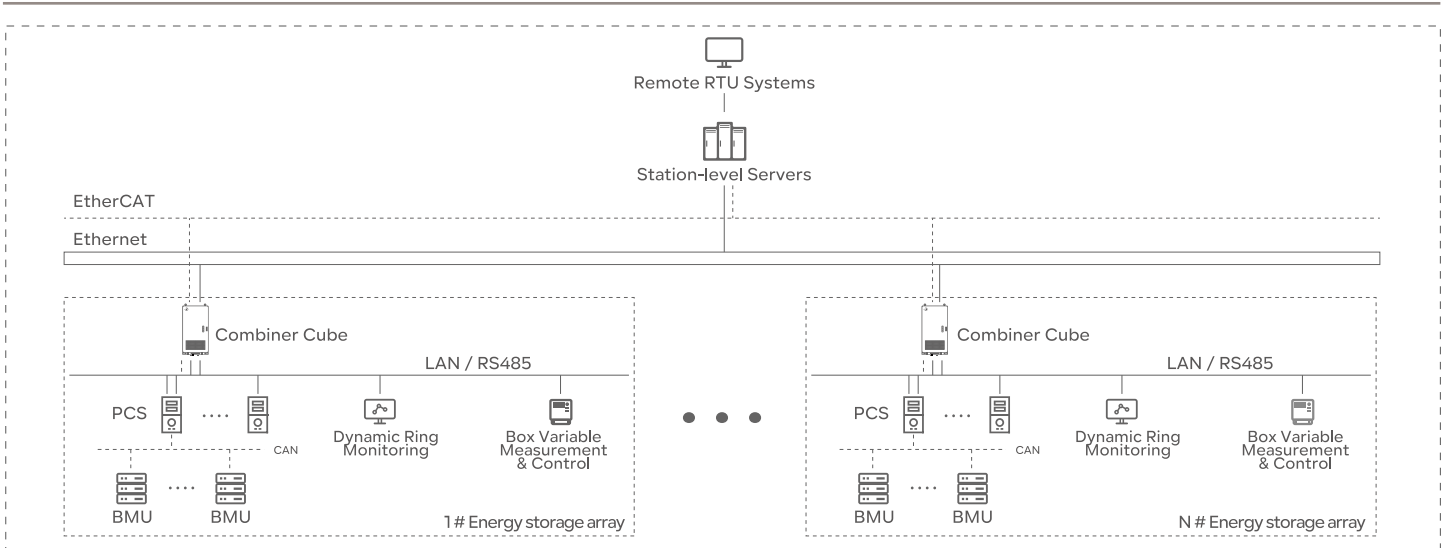
- Max. Rated Power 3200kW.



USER FRIENDLY SETUP

- Noise Level<65 dB(A).

System Layout



● Product Specifications

Model	Common (use)	US
Input Voltage(Vac)	690	480
Access Channel	16	16
Output Channel	1	1
Max. Rated Power(kW)	3200	2000
Rated Current(A)	2678	2406
Measuring Accuracy	Class 0.5(Bidirectional Meter)	
Overload Protection	Yes	
UPS	Optional	

System Characteristic

Communication Interface	CAN, LAN, RS485
Warranty	3 Years Free, Paid From The 4th To The 15th Year

General Parameters

Battery Module	K-KS2000PCCD0-US
Dimensions(W*D*H)	1200*1450*2350mm / 47.2*57*92.5in
Total Weight	1200kg / 2645.5lb
Altitude(m)	<2000
Noise Level@1m	<65 dB(A)
IP Rating	IP54
Operating Temperature(°C)	-35 ~ 55
Storage Temperature	-40 ~ 70
Relative Humidity(RH)	≤95%, non-condensing



Liquid-cooling Distributed Container System

P-Block



HIGH PERFORMANCE

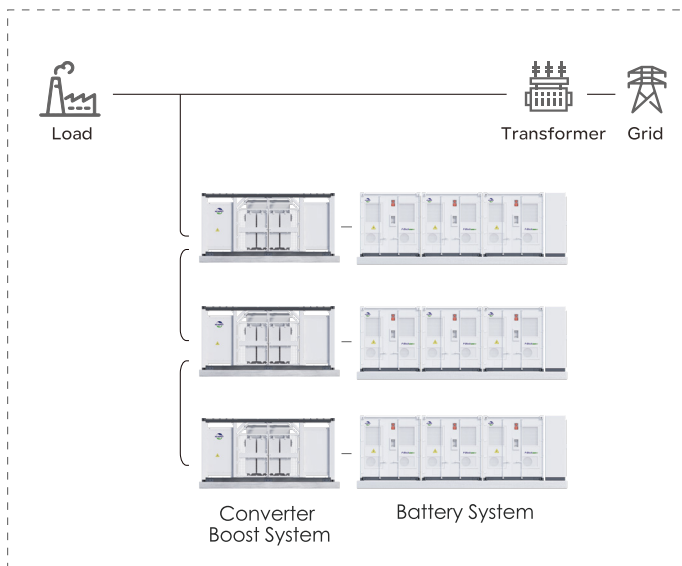
- New Generation of Distributed.



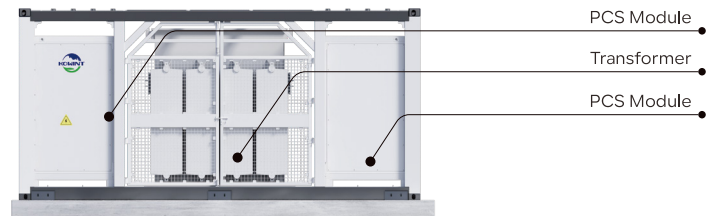
SAFE AND RELIABLE

- IP54 design, minimize external environmental impact.

● System Layout








● System Demonstration







● Product Specifications






Battery Energy Storage	1672kWh	3344kWh	5016kWh
Cell Type	LFP 3.2V / 314AH		
Module Configuration	1P104S		
String Configuration	1P416S		
Number of Battery System	1	2	3
Number of Strings	4	8	12
Capacity(kWh)	1672	3344	5016
Nominal Voltage(V)	1331.2		
Operation Voltage Range(Vdc)	1218.88 ~ 1476.8		
Discharge Depth	90% DoD		
Thermal Management Mode	Liquid-cooling		
Thermal Control Management	Aerosol Extinguishing or PFH		
AC Output			
Rated AC Output Power(kVA)	840	1670	2500
Max. AC Output Power(kVA)	860	1725	2580
Output Voltage Range(Vac)	11kV ~ 33kV		
Rated Grid Frequency(HZ)	50 / 60		
AC PF	0.99 / -1~1		
THDi	≤3%		
System Characteristic			
Communication Interface	CAN, RS485, Ethernet		
Warranty	3 Years Free , Paid From The 4th to The 15th Year		
Certifications	IEC62619, IEC62477, EN61000-6-2 / 4, UL9540A, UL9540, UN3536		
General Parameters			
Battery Module	K-PB1670840A0-US	K-PB3440840A0-US	K-PB5012840A0-US
Battery System Dimensions(W*D*H)	2991*2438*2591mm 117.8*96*102in	2991*4952*591mm 117.8* 95*114in	2991*7466*2591mm 117.8* 94*102in
Battery System Total Weight	~15000kg / 33069lb	~30000kg / 66139lb	~45000kg / 99208lb
Converter Boost System Dimensions(W*D*H)	6058*2438*896mm 238.5*96*114in		
Converter Boost System Total Weight	<25000kg / 55116lb		
Operation Altitude	3000m / 10000feet(>3000m /10000feet derating)		
Nosie Level@1m	<75dB		
IP Rating	IP54		
Operation Temperature(°C)	-30 to 55(De-rating over 45)		
Operation Humidity(RH)	≤95%, No condensation		
Storage Conditons	-20°C to 30°C, Up to 95% RH, non-condensing, State of Energy(SoE): 50% initial		

Selection

Intelligent PCS 				
	30kW	30kW	60kW	125kW
Voltage Range(Vdc)	150~750	150~500	400~800	720~1300
AC Output(Vac)	3W3P+PE, 480 (±15%)	120/208	277/480	480, 3P+PE
AC frequency(Hz)	60 (±2.5)	50/60	50/60	60

Master Control 			
	R-MC150-EC04	R-MC150-EC01	R-MC250-EU01
Rated Voltage(Vdc)	750	750	1000
Voltage Range(Vdc)	200~750	200~750	400-1500
Rated Current(A)	100	150	200
Weight	28kg / 61.7 lb	32kg / 70.5lb	38kg / 83.7lb
W*D*H(prediction)	494*510*132mm / 19.4*20*5.2in	440*620*230mm / 17.3*24.4*9in	251*900*325mm / 9.8*35.4*12.8in

Flexible Battery Module 					
	R-EMO51100-ECH01	R-EMO96100-ECH03	R-EM25280-ECH01	R-EM166280-ECH01-RP	R-EM166314-ECH01-RP
Rated Energy(kWh)	5.12	9.6	7.17	46.59	52.25
Rated Voltage(V)	51.2	96	25.6	166.4	166.4
Rated Capacity(Ah)	100	100	280	280	314
Max. Charging Current(A)	100	100	140	140	157
Peak Charging Current(A)	200(30S)	200(30S)	280(30S)	280(60S)	314(60S)
Max. Discharge Current(A)	100	100	140	140	157
Peak Discharge Current(A)	200(30S)	200(30S)	280(30S)	280(60S)	314(60S)
W*D*H	482.6*627.5*132mm 19*24.7*5.2in	494*680*132mm 19.4*26.7*5.2in	250.5*763.5*228mm 9.8*30*8.9in	812*1133*238.5mm 32*44.6*9.4in	779*1135*250mm 30.6*44.7*9.8in
Weight	43kg / 94.7lb	73kg / 161lb	60kg / 132lb	330kg / 727.5lb	348kg / 767lb

Battery Cell 				
	RF100	RF205	RF280	RF314
Rated Capacity(Ah)	100	205	280	314
Rated Voltage(V)	3.2	3.2	3.2	3.2
Max. Charge Rate	1C	1C	1C	1C
Internal Resistance	≤ 0.8mΩ	≤ 0.5mΩ	< 0.3mΩ	< 0.3mΩ
W*D*H(prediction)	174*27.2*207mm / 6.8*1*8.1in	174*53.7*207mm / 6.8*1.5*8.1in	174*71*207mm / 6.8*2.8*8.1in	174*71*174mm / 6.8*2.8*8.1in



ROM ENERGY TECH
Clean energy flowing



Website

WWW.ROMENERGYTECH.COM



Official email:

VENTAS@ROMENERGYTECH.COM



Add. :

CABO SAN LUCAS, MÉXICO