

# JC BORDELET

c r é a t e u r d ' h a r m o n i e

**INSTALLATION, MAINTENANCE AND OPERATION MANUAL FOR TATIANA 997 CFO  
CENTRALLY-MOUNTED OPEN FIREPLACE**



Tested and approved to ULC-S610 and UL 127 standards by

Manufactured by : BORDELET INDUSTRIE S.A.S. – Z.I. de Lhérat – 63310 RANDAN - FRANCE



This appliance is:

The manufacturer may update this manual from time to time and cannot be responsible for problems, injuries, or damages arising out of the use or misuse of information contained in this manual.

The installer must read these instructions carefully and, once the installation is complete, turn this manual over to the consumer for future reference.

## Instructions Prior to Installation

We recommend that our wood-burning fireplaces be installed and serviced by professionals who are certified in Canada by WETT (Wood Energy Technical Training), in Quebec by APC (Association des Professionnels du Chauffage) or in the United States by NFI (National Fireplace Institute®).

Before undertaking this installation, the installer must consult the local building codes and the fire department about installation requirements in the area. A building permit may be required for the installation of this fireplace and the chimney connected to it. Additionally, the homeowner should consult his home insurance company to find out how the projected installation may affect his insurance coverage. The installing contractor must carefully read and understand the installation instructions contained in this manual and follow them to the letter as this will result in a safe, efficient and dependable installation of the fireplace and its attached chimney. In order to protect the exterior finish of the fireplace and the supplied connecting hardware to the chimney, JC Bordelet S.A.S. have supplied special gloves to be used during the installation so as not to mar the finish of the fireplace and its related components.

**CAUTION:** Failure to correctly follow the installations guidelines for this fireplace could cause a fire, which could result in loss of life or serious injuries and/or important material damages.

**WARNING:** Do not use materials other than those provided by the manufacturer for use during the installation as they may be safety hazards and their use could cause a fire, which could result in loss of life or serious injuries and/or important material damages.

Do not install this fireplace in a mobile home as it is neither approved nor certified for this type of installation.

**CAUTION:** Do not attempt to modify or alter the construction of the fireplace or its components. Any modification or alteration of construction may void the warranty, listings and approvals of this system. In that case, JC Bordelet S.A.S. will not be responsible for any injuries or damages.

**WARNING:** The information appearing on the certification label affixed to the appliance always overrides the information published in any other media (owner's manual, catalogues, flyers, magazines and/or web sites).

## TABLE OF CONTENTS

1. SAFETY RULES FOR OPERATING THE FIREPLACE .....	3-4
2. THE FIREPLACE .....	4
2.1 INTRODUCTION .....	4
2.1.1 Parts Required .....	4
2.1.2 Additional Equipment .....	4
2.2 FIREPLACE INSTALLATION.....	5
2.2.1 Reinforcing Location-Supporting Frame & Load Bearing Support/ Chimney Connector .....	5
Table 1: Weights Ceiling-Suspended TATIANA 997 Fireplaces.....	5
2.2.2 Installation of Hearth Extension .....	5
2.2.3 Installation of Smoke Pipe & Fireplace on Load Bearing Support/ Chimney Connector: .....	5-6-7-8
2.2.4 Chimney Installation and Approvals .....	9
2.2.5 Offset Installation .....	10
2.2.6 Installation of Anti-Sway Bracket .....	10
2.3 OPERATING THE TATIANA FIREPLACE .....	11
2.3.1 Fuel.....	11
2.3.2 First Fires .....	11

2.3.4	Dangers of Creosote .....	12
2.3.3	Building a Fire .....	11-12
2.3.5	Maintaining the Fire .....	12
2.3.6	Combustion Air.....	12
2.3.7	The use of Composite Ecological logs .....	12
2.3.8	Smoking - Causes and Troubleshooting.....	12-13
2.4	MAINTAINING THE TATIANA FIREPLACE AND CHIMNEY.....	13
2.4.1	Fireplace and Chimney Maintenance.....	13
2.4.2	Annual and Seasonal Inspections.....	13
2.4.3	Care and Cleaning of the exterior of the fireplace .....	13
2.4.4	Disposal of Ashes .....	14
2.4.5	Dealing with a Chimney Fire .....	14
2.4.6	Replacement Parts list and Combustion Air Intake.....	15
2.5	WARRANTY .....	16-17
<b>ADDENDUM: Addition of Vented Gas Fire Log to Tatiana 997CFO..18-19-20-21-22-23</b>		

---

## 1. SAFETY RULES FOR OPERATING FIREPLACE

**Warning:** This fireplace is designed to be operated with the firescreen always in place. If the firescreen is not in place or partly open, flames and firebrands may be drawn out of the fireplace opening creating risks of both fire and smoke which could result in loss of life or serious injuries and/or important material damages.

1. Teach children fireplace safety rules and do not let children under eight get near the fireplace.
2. Do not use the fireplace under the following conditions:
  - 2.1 Stop using the fireplace whenever the firescreen is even slightly damaged or broken.
  - 2.2 Whenever any part of the smoke pipe or chimney is loose or not in a proper working order.
3. Never use flammable liquids to light or revive a fire and keep such products away from any heat source. Before lighting a fire, make sure there are no flammable liquids, gases or fumes in the room.
4. Before starting each fire, open the flue damper fully (using the damper cane ) by turning the key located above the fireplace on the smoke pipe.
5. During extremely cold weather, preheat the chimney flue to prevent smoke flow reversal. Hold a lighted rolled up newspaper inside the fireplace towards the smoke pipe for a few minutes.
6. Only use the grate made by JC Bordelet S.A.S. to build a fire. Only burn the quantity of firewood it can hold (Max. 11 kg/24 lbs). Never overfire the fireplace, if any part of the fireplace or smoke pipe is glowing red, then you are overfiring. Stop feeding the fire immediately. The high temperature caused by overfiring can permanently damage the fireplace, smoke pipe, chimney and nearby combustible walls and ceilings.
7. To prevent deformation of the grate, always leave a min. 2.54cm (1") of ash in the bottom.
8. When using the fireplace for the first couples of times, make small fires ( Max. 5.5kg/12lbs) of firewood to give the painted finish of the fireplace and smoke pipe time to cure properly.
9. During the first fire, you may detect certain odors and the coating and oil protecting certain parts may smoke a little. Open a window, to quickly dispel these fumes.
11. Expansion and contraction noises during the heating and cooldown cycle are normal.
12. When the fireplace is in full operation and hot, do not tamper with the damper key.
13. Once the fire is out and the fireplace, smoke pipe and the embers have cooled, close the smoke pipe damper (using the damper cane) until you prepare to light the next fire.
14. When cleaning out the fireplace, always wait at least 24 hours before removing the ashes with an all-metal vacuum cleaner such as a Charlescraft Bad Ash 2. Then quickly empty the vacuum cleaner into a metal ash container with a tight fitting lid. The closed ash container should then be placed on a non-combustible floor or on the ground outside, pending final disposal. If the ashes are disposed of by burial in soil or otherwise locally dispersed, they should be retained in the closed container until all embers have cooled.

**WARNING:** Never use gasoline or gasoline-type lantern fuel, kerosene, charcoal lighter fluid, waste oil or any other combustible liquid to start or rekindle a fire in this fireplace as they may cause an explosion or fire which could result in loss of life or serious injuries and/or important material damages. They must be stored in sealed metal containers in a well-ventilated room or structure that does not adjoin the room where the fireplace is situated. At all times, keep all other combustible materials at least 1.2m (48'') away from the front and sides of the fireplace.

**WARNING:** When the fireplace is operating, never reach into it for any reason as this may lead to irreversible burns which could lead to serious injuries and/or loss of life.

**Caution:** Never leave children and babies unattended when there is a fire burning in the fireplace. The temperature of the metal surfaces can often exceed 100 ° C (212 °F) which may lead to serious burns.

**Caution:** Never build a wood fire directly on hearth or elevate fire. Always use the grate provided with the fireplace to build a fire. Burn only the quantity of fuel it can hold (Max. 11 kg/24 lbs).

**Caution:** Do not use this fireplace as a fireplace insert or any other product not specified for use with this fireplace.

**Caution:** To operate properly, this fireplace needs combustion air, always make sure that there is a sufficient supply of combustion air when operating the fireplace as per ANSI Z 223.1/NFPA 54.

## **2. THE FIREPLACE**

### **2.1 INTRODUCTION**

The TATIANA 997 CFO fireplace is an energy efficient, heat generating fireplace. It will provide you with a lifetime of comfort and enjoyment provided it is installed, maintained and operated properly. 1- Before beginning the fireplace installation, check the local building codes and, if required, obtain a building permit from the local authorities. Install the fireplace only as described in this manual and only using components provided by JC Bordelet S.A.S.

This fireplace must only serve as a supplementary heat source. A sufficient and permanent heat source should already be available in the home. The manufacturer cannot be responsible for additional heating costs associated with the use of this supplementary heat source. It is highly recommended that the user buy this product from a dealer who can provide installation and maintenance advice.

2- To the installer, please read these instructions carefully and, once the installation is complete, turn this manual over to the consumer for future reference.

#### **2.1.1 Parts Required**

- 1- The TATIANA 997 centrally-mounted fireplace, required lengths of smoke pipe, a supporting frame and a load bearing support to connect and support the fireplace, smoke pipe and chimney.
- 2-A High-Temperature insulated 254mm (10'') chimney with all the required chimney lengths and installation accessories certified to the following standards ULC S-610 (Canadian installations) & UL 103HT (USA installations).
- 3-Associated components as per these installation instructions.

#### **2.1.2 Additional Equipment**

**Outdoor Combustion Air Intake (Recommended Option)**

## 2.2 FIREPLACE INSTALLATION

### 2.2.1 Reinforcing Location-Supporting Frame & Load Bearing Support/ Chimney Connector:

1. Before beginning the installation, consult Table 1 for weights of supporting frame, Load Bearing Support/Chimney Connector, total weight of chimney, smoke pipe, fireplace & components.
2. Determine the exact location of the supporting frame and the Load Bearing Support/Chimney Connector above the ceiling in accordance with the proposed location of the ceiling-suspended fireplace so that the fireplace will be perfectly centered in the room below with the lower shelf of the fireplace 650mm (26 5/8") above the finished floor when the installation is completed.
3. Multiply by two the total weight of all suspended components, including the weight of the supporting frame and Load Bearing Support/Chimney Connector, the chimney, smoke pipe and the fireplace to achieve a minimum 200% structural safety factor when reinforcing the structure around the proposed location of the supporting frame and Load Bearing Support/ Chimney Connector.

**TABLE 1: WEIGHTS CEILING-SUSPENDED TATIANA 997CFO FIREPLACES (Approx.)**

(with e.g. ASHT SECURE-TEMP + 10" Chimney - 25mm (1") wall thickness)

(Height of installation floor to ceiling: Min. 2.43m (8'))

Weight of fireplace	Load Bearing Support & Supporting frame	length of smoke pipe & weight of smoke pipe	Length of chimney & weight (13.35 kg/m - 26.7 lbs/yd. – 8.9 lbs/ft)	Approximate Total weight of installed fireplace
115 kg (253 lbs)	56.5 kg (124 lbs)	0-2.43m(8') Min. height installation, no smoke pipe	4.6m to 4.9m (15' to 17') Max. 68.8 kg (151 lbs)	240.3kg ( 529 lbs)
115 kg (253 lbs)	56.5 kg (124 lbs)	750mm(29.5") 50.3 kg (110 lbs)	10m (33') 133.5 kg (294 lbs)	355.3 kg (782 lbs)
115 kg (253 lbs)	56.5 kg (124 lbs)	4m. inside height install. Pipe 1.56m (61.5")long 104 kg (230 lbs)	15m (50') 202.3 kg (445 lbs)	477.8kg (1051 lbs)

### 2.2.2 INSTALLATION OF HEARTH EXTENSION:

1. Remove all combustible floor coverings, e.g. carpeting, linoleum, etc., from the area under where the fireplace is to be suspended.
2. Centered on the planned location of the fireplace, install, flush with the finished floor, a round hearth extension of a minimum diameter of 1.996m ( 78 19/32") and at least 9.5 mm (3/8") thick ( backed by a sheet metal plate if over a combustible structure) and made of approved non-combustible material such as ceramic tiles, stone, masonry or concrete, flush with the floor. This conforms to applicable standards and is permitted since the bottom of the firebox opening is raised at least 203 mm ( 8") above the top of the hearth extension.

**Diam. 1996 mm (78 19/32")**

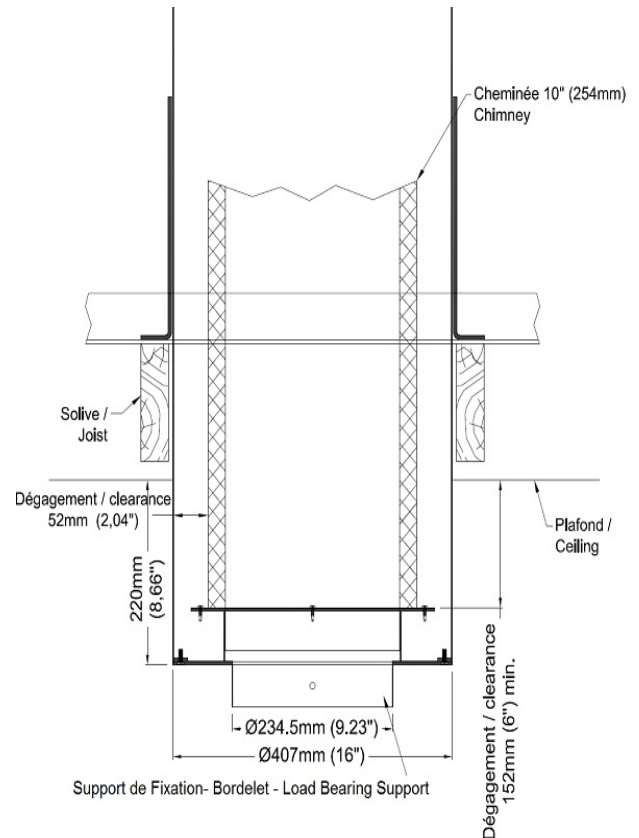
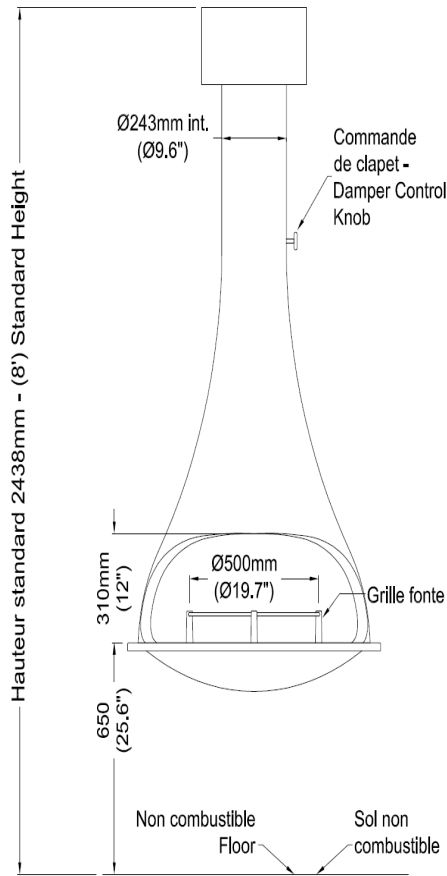


**Plaque de foyer/Hearth extension**

### 2.2.3 Installation Smoke Pipe and Fireplace on Load Bearing Support/Chimney Connector:

1. Make sure that the structure has been sufficiently reinforced as detailed in 2.2.1. Install the supporting frame and Load Bearing Support/Chimney Connector above the ceiling making sure that it is properly situated and aligned so that when the installation is completed the fireplace will be centered on the room below. Install the trim ring around the Load Bearing Support.
2. For added height, install the required length(s) of smoke pipe onto the Load Bearing Support.
3. Before installing the fireplace on the smoke pipe, remove all possible internal components of the fireplace to lighten it during installation.

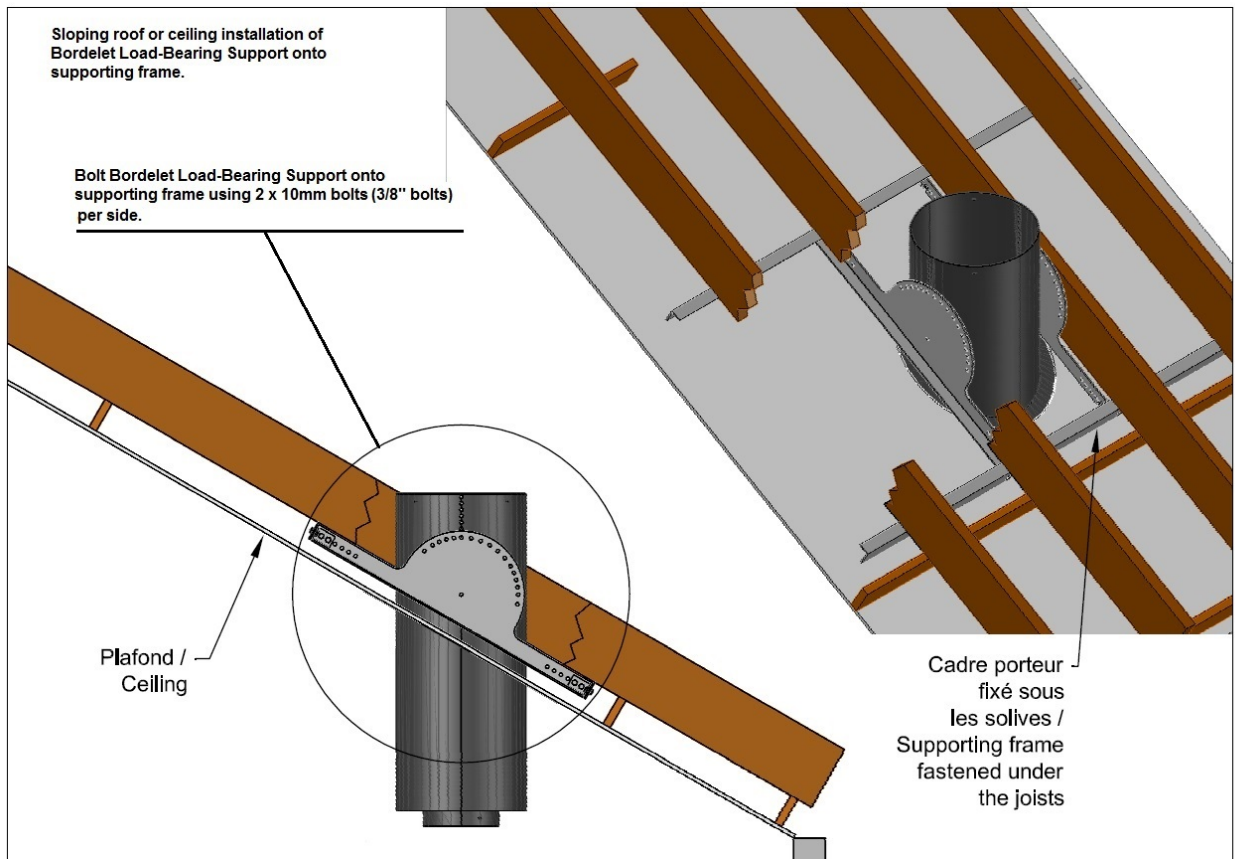
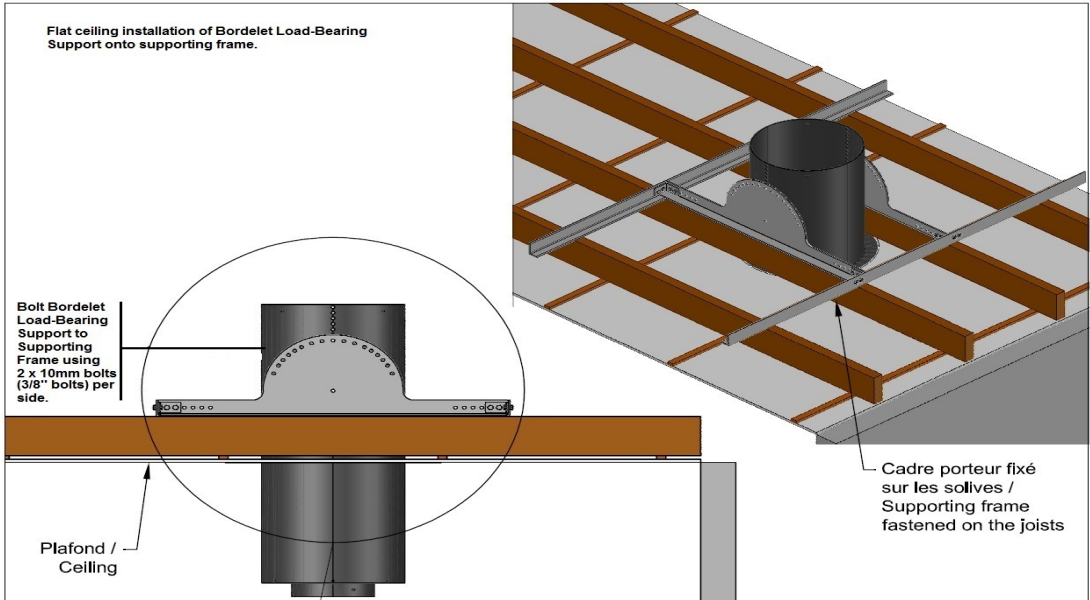
4. Install the fireplace onto the smoke pipe with the lower shelf of the fireplace 650mm (26 5/8") above the finished floor. Make sure that all the fasteners are tight
  5. Install all the internal components of the fireplace and firescreen to complete the installation.
- View of Tatiana 997 Centrally-Located Fireplace**

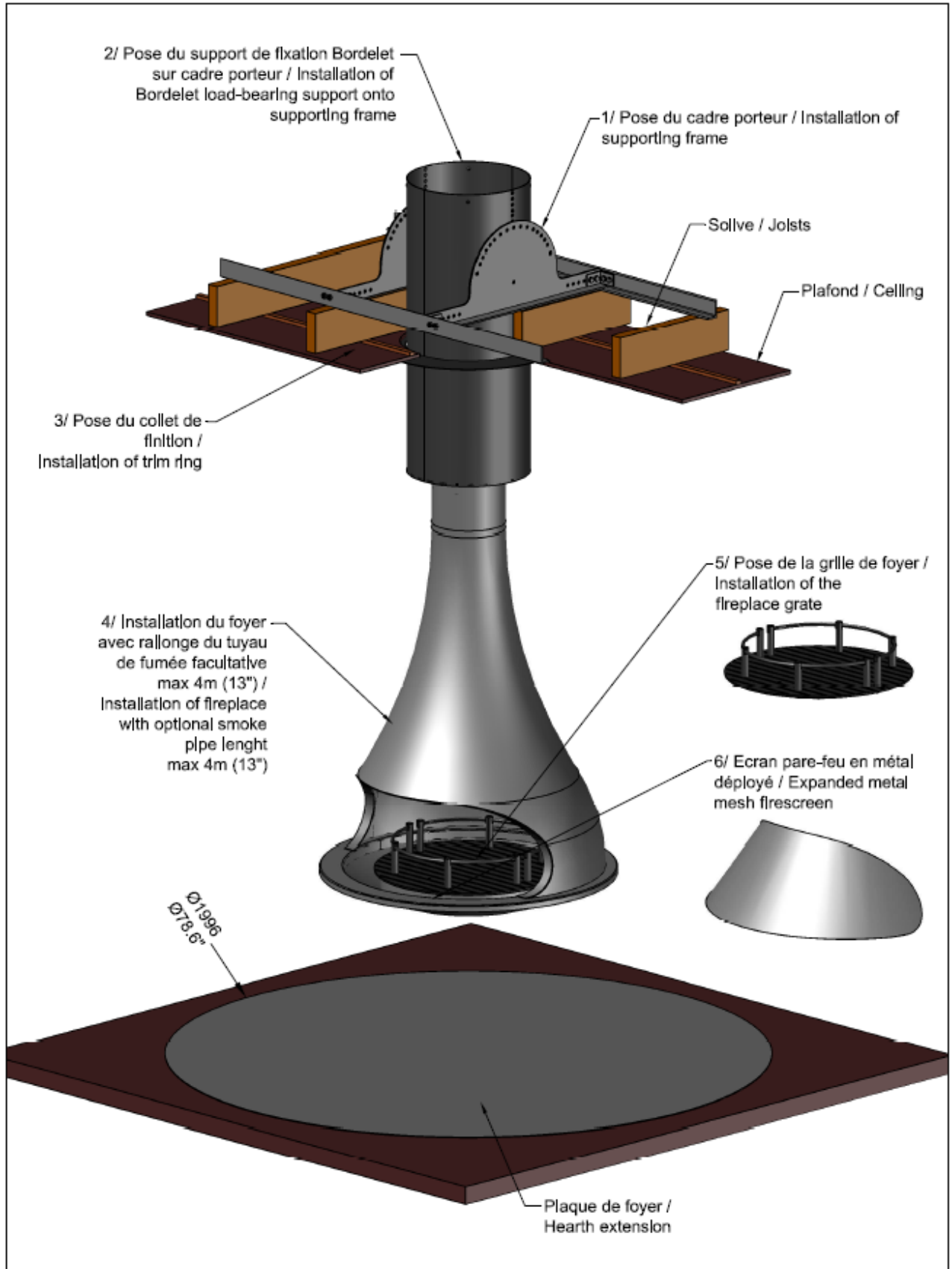


Modèle Tatiana 997 Version Centrale Foyer Ouvert

Tatiana Model 997 Opened Central-Mounted Fireplace

**Warning: For centrally-located fireplaces, a minimum clearance to combustibles of 1.2m (48") must be maintained 360 ° around the fireplace. For single wall smoke pipe, a minimum clearance to combustibles of 45cm (18") must be maintained and, when connected to the Bordelet Load Bearing Support, a minimum 220mm (8 -11/16") clearance from the top of the smoke pipe flange to the ceiling must be maintained, especially with slanted ceilings. Please adjust the height of the Bordelet Load Bearing Support accordingly.**





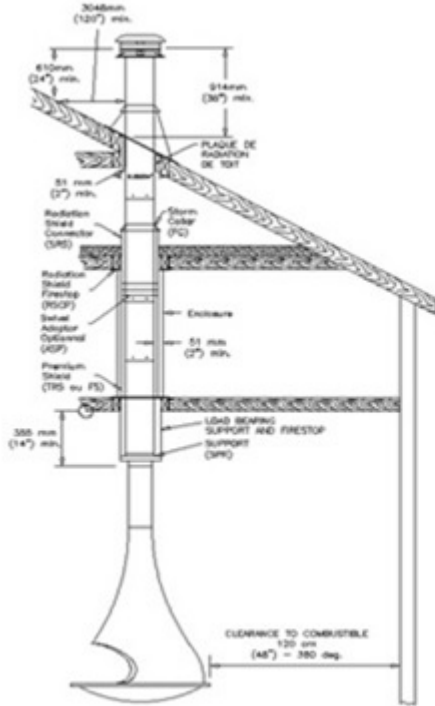


**2.2.4 CHIMNEY INSTALLATION:**

1. For optimum performance, the minimum chimney height from Load-Bearing Support to roof cap is 4.6m (15') to 5.2 m (17'). Additional height will increase draft and decrease the tendency to smoke. If only the minimum chimney height is installed, operating conditions must be optimal; interior chimney, minimum chimney height of 45cm (18") before any offset, and total respect of the chimney manufacturer installation instructions. There is only one offset permitted in the whole smoke pipe/chimney system, only two 45° elbows are permitted with a straight section connecting them.

<b>10"chimneys approved to CAN/ULC-S610-M87 Std. (Canadian installations)</b>		
<b>Security Chimneys International</b>	<b>Oliver MacLeod</b>	<b>Simpson DuraVent</b>
<b>Secure Temp ASHT + 254mm (10") - (Ext. Dia. 305mm (12"))</b>	<b>Projet Nova-Temp™ HT6103+254mm (10") (Ext. Dia. 305mm(12"))</b>	<b>Dura Tech DTC 254mm (10") (Ext. Dia. 305mm(12"))</b>
<b>10"chimneys approved to UL-103HT Standard (USA installations)</b>		
<b>Industrial Chimney Company.</b>	<b>Security Chimneys International</b>	
<b>RIS 254mm(10") (Ext. Dia. 311mm(12 ¼"))</b>	<b>Secure Temp ASHT + 254mm(10") (Ext. Dia. 305mm(12"))</b>	

**NOTE: NFPA 211 requires that all chimneys used on solid fuel residential applications to be listed to UL 103HT Standard.**



**TYPICAL CONNECTION OF A BORDELET CENTRAL FIREPLACE TO A PREFABRICATED 254mm(10") INTERNAL DIAMETER CHIMNEY CONFORMING TO THE FOLLOWING STANDARDS:**

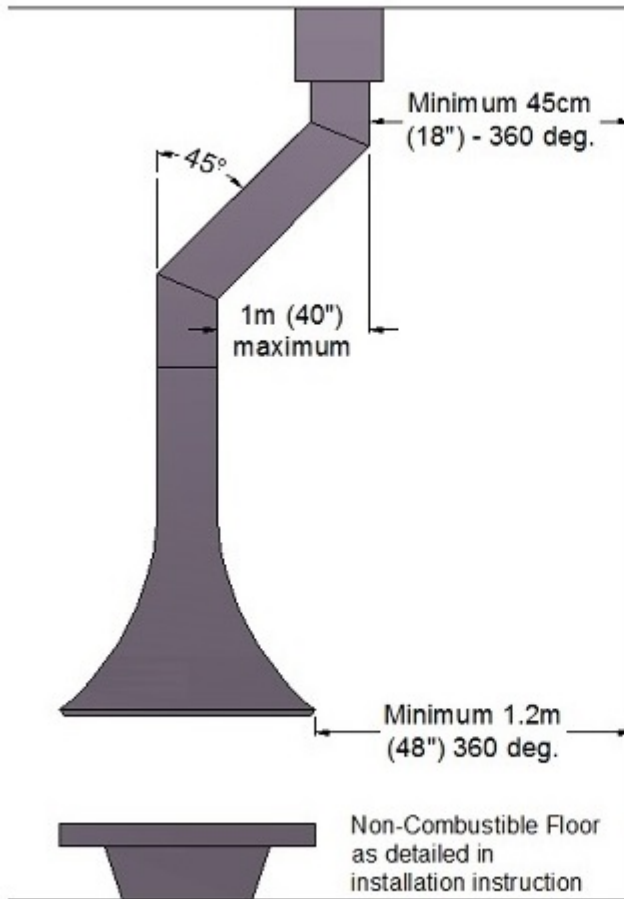
**IN CANADA:  
ULC S-610**

**IN THE U.S.A:  
UL 103HT.**

**Warning: The installer must follow the chimney manufacturer's installation instructions to the letter. Failure to heed these instructions may cause a fire which could result in loss of life or serious injuries and/or important material damages.**

**CAUTION: A chimney servicing a fireplace shall not serve any other appliance. The chimney shall extend at least 915mm (3 ft) above its point of contact with the roof and at least 0.6 m (2') higher than any roof ,wall, or adjacent building within 3m (10 ft) of it. The maximum height of unguided chimney above the roof is 1.5m (5 ft). The complete smoke pipe/chimney system must not have more than one offset composed of two 45° elbows and a straight section connecting them.**

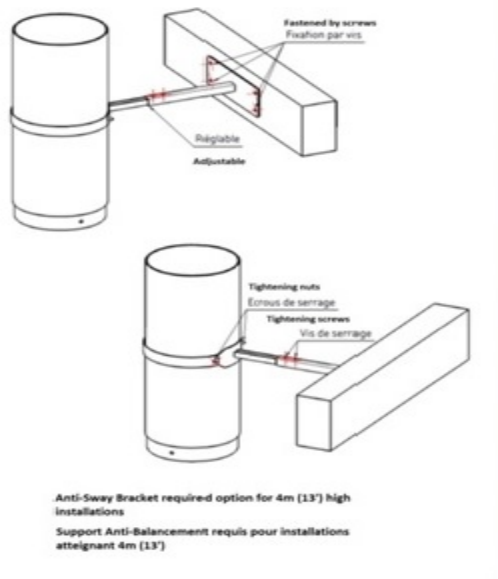
### 2.2.5 Typical Approved Installation of an Offset in Smoke Pipe



Mur combustible  
Combustible Wall

**CAUTION:** The clearance between the JC Bordelet smoke pipe and unprotected combustible material must not be less than 45cm (18"). The distance between any offset section of the vertical smoke pipe and the ceiling must not be less than 18". The distance from any centrally-located JC Bordelet fireplace to any combustible material is a minimum 1.2m (48") 360° around the fireplace. The complete smoke pipe/chimney system must not have more than one offset composed of two 45° elbows and a straight section connecting them.

### 2.2.6 Installation of Anti-Sway Bracket

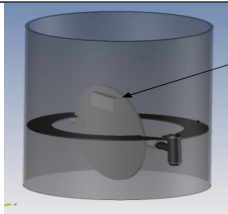


**CAUTION:** If the central fireplace and smoke pipe installation reach a height of 4m (13') from floor to ceiling then an Anti-Sway bracket must be installed at about 1.83m (6') to 2.13m (7') to stabilize the installation and prevent oscillations which might, in the long run, loosen fasteners and lead to leaks and failure of the smoke pipe and Load Bearing Support.

## 2.3 OPERATING THE TATIANA 997 FIREPLACE

Before using the fireplace always open the smoke pipe damper (as shown on left) with damper cane.

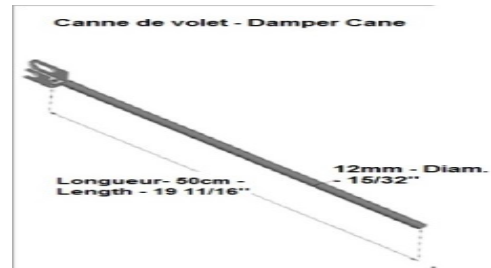
Once the fire has died down and the fireplace is cool to the touch, close the smoke pipe damper (as shown on right) with damper cane.



Open



Closed



### 2.3.1 Fuel

Whenever the fireplace is being prepared for use, make sure that the smoke pipe damper is fully open before lighting it. It will work best when fuelled with seasoned cordwood. Hardwoods are preferred to softwoods since the energy content of wood is relative to its density. Select therefore wood that has been air-dried under cover for at least two years and has a moisture content of 15% maximum. Hardwoods will result in a longer burning fire and less frequent refuelling. These hardwoods are highly recommended : maple, oak, hickory, beech, cherry and apple. These whitewoods are also recommended although they burn more quickly: ash, birch, cedar, elm, hemlock, pine, poplar, linden tree. Excessively wet or green wood is not recommended and will be extremely difficult to burn and will result in lower efficiency, increased creosoting and tarry deposits in the chimney.

**Caution:** In order to prevent damage to the fireplace/chimney system, do not fuel it with scrap or garbage, wood chips or granules, sawdust, treated wood, painted wood, wood treated with creosote or chemicals, any paper or cardboard or construction material such as pressed wood, plywood, lumber or driftwood from the ocean which may contain salt or other chemicals which will corrode the metal components of the fireplace and chimney.

**Warning:** Do not burn coal as smouldering coal may create carbon monoxide causing illness or even death to human beings and pets. The sulphur in coal will also corrode the firebox and smoke pipe.

**Warning:** Only place wood logs on top of the grate to allow proper combustion air flow and to prevent damage to the firescreen. Do not overfire this fireplace (Max. 11kg/24 lbs) of firewood) as it may overheat causing a hazard, permanent damage to the fireplace or in the presence of creosote, even igniting a chimney fire which may destroy the chimney and damage the structure.

### 2.3.2 First Fires

The fresh paint on the fireplace needs to be cured to preserve its finish and quality. For the first 40 hours of operation, only burn small quantities of wood in the fireplace (max. 5.5 kg/12 lbs) and do not build a full fire during this period. Always start your fires as stated below in section 2.3.3. Even with a small fire, there will be a strong burnt odor and some smoke during the first fires so properly aerate the room where the fireplace is located. After the initial 40 hours of operation or once the smell of burning paint or grease is finally gone, at each fire gradually increase the quantity of wood being burnt to the maximum of 11 kg (24 lbs) to slowly cure the paint on the fireplace and smoke pipe.

### 2.3.3 Building a Fire

To start a fire, using two cool hand tools, remove the firescreen, making sure that the ashes have had 24 hours to cool, then clean-out surplus ash leaving a minimum 2.5cm ( 1") of ash to protect the grate, open the smoke-pipe damper, crumple some newspaper on top of the grate then criss-cross several pieces of dry kindling in the firebox on top of the newspaper and light the newspaper. Criss-crossing or arranging the fuel so that air can get underneath, will help the fire to get started easily. Once the newspaper and the kindling are well ignited, using two cool hand tools, reinstall the firescreen.

Wait until the kindling fire has turned into a good bed of embers and prior to reloading, using two cool hand tools, carefully remove the firescreen, stack some dry firewood on top of the embers and reinstall the firescreen using two cool hand tools. Always keep the firewood on top of the grate to allow proper primary air flow and to prevent damage to the firescreen. The unit will burn best with 3-4 pieces of firewood (Max. 11kg/24 lbs) spaced 1 to 2 inches apart to allow combustion air to get under and around the fuel.

#### **2.3.4 Dangers of Creosote**

When wood burns slowly or if it is not properly dry, it produces tar and other organic vapors which combine with humidity to produce creosote. Creosote vapor condenses in the chimney left relatively cool by the slow fire and coats the inside of the flue with a very flammable residue. When creosote ignites, it produces a red-hot, extremely dangerous fire which can damage the whole installation and even set fire to a home. At least once a week, it is recommended to make a brightly burning fire rather than a lazy, smoldering fire. Not only will it keep the smoke pipe and chimney cleaner but, what is most important, it will lessen the likelihood of chimney fires.

**Caution:** During the heating season, the chimney and smoke pipe need to be inspected at least twice to determine if a creosote or soot has built-up above the safe limit of 3mm (1/8"). If creosote or soot accumulation exceeds 3mm (1/8") , immediately have the chimney and smoke pipe swept to lessen the risk of a chimney fire.

#### **2.3.5 Maintaining the Fire**

Once the wood has been partially consumed and there is a good bed of embers, proceed to reload the fireplace if necessary. Remove the firescreen using two cool hand tools and reload the appliance with fresh wood. The TATIANA 997 fireplace will work best if a thick bed of hot embers is maintained in the bottom of the firebox and 3 large or 4 medium pieces of seasoned wood are added (Max. 11kg /24 lbs). Combustion efficiency is largely related to establishing a hot ember bed, and hot firebox temperatures. The quicker the fireplace and chimney get up to normal operating temperatures, the better. A small intense fire is preferred to a large smoldering fire, both to improve combustion efficiency and to reduce the amount of creosote build-up. The best performance will be obtained by adding fuel to a well-established ember bed to achieve a hot fire. Use a poker to make an air channel in the embers below the wood, this will allow combustion air to flow under the wood for a more efficient burn. This will result in less creosoting, greater efficiency and a longer lasting fire.

#### **2.3.6 Combustion Air**

As is common with open fireplaces, there is no combustion air control to set the flow of air entering the firebox. The main source of combustion air entering the firebox is the opening in the front of the fireplace. Therefore an Outdoor Combustion air kit must be installed to provide a sufficient amount of combustion air in order not to deplete the space. When the fireplace is not in use, the smoke pipe damper should be in the closed position to minimize air leakage up the chimney.

#### **2.3.7 The Use of Composite Ecological Logs**

Ecological logs made of 100% wood residues do not pose a threat to your fireplace. However, they must be used carefully. Ecological logs typically release a much larger heat output over a short period of time. Therefore, it is not possible to place a large quantity of such logs into the fireplace. One 1.37Kg (3 lbs) ecological fire log gives off 7,700 btu/hr over a 3 hour burn period, therefore the TATIANA 997 can only burn a maximum of seven (7) fire logs (Max. 9.6 kg/21 lbs) simultaneously.

**WARNING:** Use only ecological logs meeting the requirements of ULC/ORD-C127-M1990, Composite Fire logs. Prior to use, refer to the fire log warning and cautions as indicated on the packaging. Do not poke or stir ecological fire logs while they are burning. Burning more than seven (7) fire logs at one time (max. 9.6 kg/21 lbs) can overheat and damage the TATIANA fireplace and chimney.

#### **2.3.8 Smoking - Causes and Troubleshooting**

Your fireplace has been designed and tested to provide smoke free operation. Occasionally, there may be a small amount of smoking upon lighting the fire, until the chimney heats up but this should not continue. If the fireplace continues to smoke it is probably for one of the following reasons:  
**A. Negative pressure in the house:** As the fire burns, air is needed to support combustion and the products of combustion go up the chimney. If there is an insufficient replenishment of combustion air through leakage into the house, the fireplace will start to smoke. To temporarily create a combustion air supply, open a window nearby, if this eliminates the smoke, the house is under negative pressure. This can be corrected by installing an Outside Combustion Air intake. Call a contractor to install an Outside Combustion Air intake of 100 mm (4") in diam. with a maximum length of 4 m (13'-1/8"). If a longer length is needed, go to a 155mm (6") pipe up to max. length of 6 m ( 20' ) . Install the combustion air intake high enough off the ground so that it will not become blocked by snow.

In snowy climates, the air intake hood should be located 30cm (12") above the maximum snow level for that climate or a minimum 1.2m (48") above ground level and be sheltered from high winds. Place the exit of the combustion air intake in the room where the fireplace is installed or in an adjacent connecting room as per ANSI Z 223.1/NFPA 54.

**Caution:** the Outside Combustion Air intake must not come from an attic, garage, carport, basement, the chimney's enclosure or be less than 3m (10') from a gas meter, a fuel/propane tank or any other device that may emit fumes or gases, such as the exhaust of a motor vehicle.

**B. Fans operating:** (e.g.: range hood, bathroom exhaust fan, clothes dryer)

These fans draw air out of the house and may actually cause a negative pressure in the house. Turn off all fans and clothes dryer(s) when the fireplace is in operation.

**C. Wet wood:** Wet or tarred wood will smoulder and smoke instead of burning properly.

**D. Dirty or blocked chimney:** Check to make sure the chimney is clear and clean.

**E. Chimney not long enough:** The chimney must extend at least 915 mm (3') above its point of contact with the roof and at least 0.6 m (2') higher than any roof or wall within 3 m (10') of it. When installed with offsets, only two 45° elbows permitted, the minimum system height is 4.6m (15') to 5.2 m (17') . Additional height will increase draft and will decrease the tendency to smoke. If only the minimum chimney height is installed, operating conditions must be optimal; interior chimney, minimum height of 45cm (18") of smoke pipe before any offset, and total respect of the chimney manufacturer installation instructions.

**F. Poor chimney draft:** With proper chimney draft and no fire, there should be sufficient draft to exhaust cigarette smoke introduced into the fireplace. In areas where the outdoor temperature may fall to -18°C ( 0° F) or below , the use of an exterior chimney without an insulated enclosure will result in operating problems such as difficult fire ignition, down-drafting and flow reversal, backdraft of smoke, poor draft, excessive condensation of combustion products and rapid accumulation of creosote when connected to a wood burning fireplace. As a precaution, always provide a properly insulated enclosure around the chimney if it is outdoors. Even with a properly insulated enclosure around the chimney, there might still be draft problems caused by extremely cold weather. To correct this, it is recommended to preheat the chimney by holding a lit rolled up newspaper inside the fireplace towards the smoke pipe until the draft is sufficient and then start the fire.

## **2.4 MAINTAINING THE TATIANA FIREPLACE AND CHIMNEY**

### **2.4.1 Fireplace and Chimney Maintenance**

Regular chimney inspection and maintenance before and during the heating season combined with proper operation will prevent chimney fires.

### **2.4.2 Annual and Seasonal Inspections**

1. Before the heating season, have a chimney sweep or authorized service person inspect the interior and exterior of the fireplace, smoke pipe and chimney to make sure that all of it's components are solidly secured and leakproof, that there is no deterioration or obstructions such as bird nests, etc. If there is a build-up of creosote above 3mm (1/8"), have the smoke pipe, smoke pipe damper and chimney swept using a stiff plastic or non-metallic brush to prevent damaging or scratching the stainless steel interior of the chimney.

**Note:** The rain cap must be removed for inspection and/or cleaning of the chimney.

2. During the heating season have the smoke pipe/chimney system inspected twice. Do not allow more than 3 mm (1/8") creosote build-up in the smoke pipe and chimney. The amount of creosote accumulation will depend on variables such as frequency of use and type of fire. In the presence of a build-up of more than 3 mm (1/8") of creosote, have the smoke-pipe damper, smoke pipe and chimney swept by a qualified chimney sweep only using a stiff plastic or non-metallic brush. After he has finished sweeping the smoke pipe/chimney system, he must also verify that all of it's components are solidly secured and leakproof.

**3. Do not expect chemical cleaners to keep your chimney clean.**

### **2.4.3 Care and Cleaning of the exterior of the Fireplace**

1. Do not attempt to clean the painted surfaces of the fireplace, smoke pipe or Load Bearing Support until the paint is well cured after several fires as this may damage the factory applied finish which is not covered under warranty. Before cleaning, wait until all the components are cool to the touch and then clean with a soft humid sponge. Do not use any metal polish or abrasives. Do not touch, rub or try to clean the fireplace and smoke pipe when hot. For deep scratches, touch them up with heat resistant paint as supplied by JC Bordelet S.A.S.

#### 2.4.4 Disposal of Ashes

As a precaution, do not attempt to clean out the fireplace when the unit is hot. Wait until the ashes and the internal components have thoroughly cooled (min. 24 hours) before removing them from the fireplace.

1. Remove the firescreen using two cool hand tools, then making sure that the two-piece grate and all cinders have thoroughly cooled, remove the two-piece grate.
2. Using an all-metal industrial type vacuum cleaner such as a Charlescraft Bad Ash 2, clean out the ashes leaving about 2.5cm (1") of ashes in the bottom of the fireplace. Then immediately empty the vacuum cleaner into a metal ash container with a tight fitting lid. The closed ash container should then be placed on a non-combustible floor or on the ground outside, well away from combustible materials pending final disposal. If the ashes are to be disposed of by burial in soil or otherwise locally dispersed they should be retained in the closed container until all cinders have thoroughly cooled.
3. Replace the two-piece grate and reinstall the firescreen using two cool hand tools.



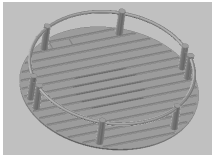

#### 2.4.5 Dealing with a Chimney Fire

Regular chimney maintenance and inspection can prevent chimney fires. If a chimney fire occurs, follow these steps:

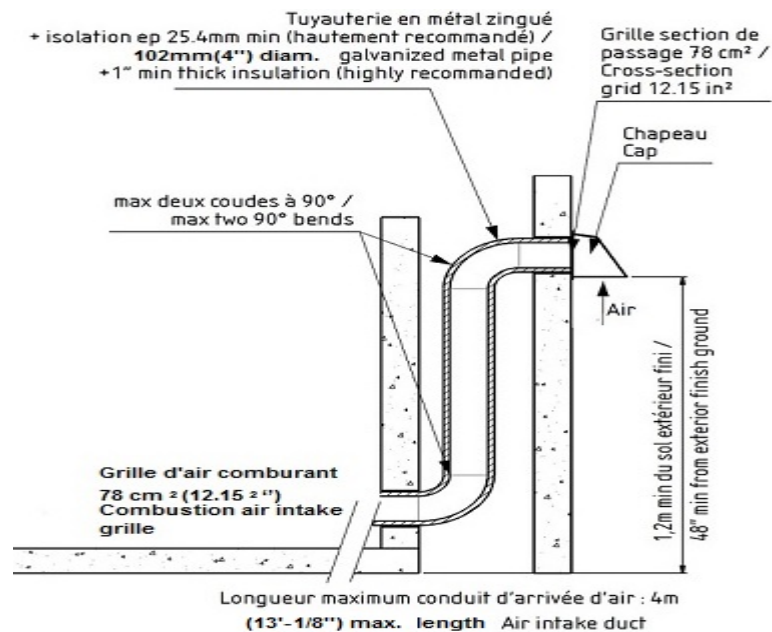
1. Alert your family to the possible danger and move them to safety;
2. Call the local fire department immediately;
3. If possible, use a dry chemical fire extinguisher, baking soda or sand to control the fire.  
**Do not use water as it may cause a dangerous steam explosion;**
4. Watch for smoldering or fire next to the fireplace, smoke pipe and chimney;
5. Step outside to make sure that sparks and hot embers coming out of the chimney are not setting fire to the roof;
6. Do not use the fireplace again until the chimney and fireplace have been inspected by a **Fire Department Inspector.**

**Caution: Always keep furniture, draperies, and extra logs or combustibles a minimum 1.2 m (48") away from the fireplace.**

## 2.4.6 REPLACEMENT PARTS LIST For TATIANA 997 Centrally-Located Fireplace

Illustration	Part Name	Part Number
	Grate for TATIANA 997 Central Model	AGF997CFO
	Expanded Metal Mesh Firescreen	PE997FO

### Combustion Air Intake (Recommended Option)



## **BORDELET INDUSTRIE S.A.S. NORTH-AMERICAN WARRANTY LIMITED WARRANTY**

The warranty of the manufacturer extends only to the original purchaser and is not transferable. It takes effect upon completion of the installation of the fireplace by an authorized qualified installer and a copy of the Installation, Operation and Maintenance Manual must be left with the original purchaser at the same time. This warranty covers only new products, which have not been altered, modified or repaired since leaving the factory. Proof of purchase (original dated invoice), model name and serial number must be supplied when making any warranty claim to the **local Bordelet Industrie S.A.S. distributor**.

**This warranty applies to normal residential use only. Damages caused by misuse, abuse, improper installation, lack of maintenance, over firing, negligence or accident during transportation, down-drafts, or venting problems are not covered by this warranty.**

An authorized qualified installer must perform the installation in accordance with the instructions supplied with this product and all Local and National building codes. The installer must also verify that the chimney used to vent the products of combustion and all its supports and firebreaks meet all codes and standards and that the chimney's base will be mounted on a JC Bordelet Load bearing Support which will also provide adequate mounting and support for the fireplace suspended from it. The authorized qualified installer will be held solely responsible for any improper installations not in conformance with the ULC-S610 and UL127 standards and Local and National building codes, the supplied installation, operation and maintenance manual and shoddy or negligent workmanship.

The manufacturer may require that defective products be returned to the **local Bordelet Industrie S.A.S. distributor** to support the claim. Returned products are to be shipped prepaid to the distributor for investigation. If the product(s) is/are found to be defective, **Bordelet Industrie S.A.S.** will, at their option, repair or replace such defective product(s). The product(s) will be shipped back to the original purchaser freight collect. Repair work done under warranty, executed at the original purchaser's home by an authorized qualified installer requires the prior approval of the **local Bordelet Industrie S.A.S. distributor**. **Bordelet Industrie S.A.S.** and its distributor will not be liable for any and all labour and traveling or shipping costs associated with the repair, removal, reinstallation of any one of its fireplaces or individual component nor administration fees incurred by the original purchaser.

The manufacturer, **Bordelet Industrie S.A.S.**, at its discretion, may decide to repair or replace any part or unit after inspection and investigation of the defect. Additionally, **Bordelet Industrie S.A.S.** may, at its discretion, fully discharge all obligations with respect to this warranty by refunding the wholesale price of any warranted but defective parts. **Bordelet Industrie S.A.S.** shall in no event be responsible for any special, indirect, consequential damages of any nature, which are in excess of the original purchase price of the product.

### **WARRANTY COVERAGE**

#### **Five Years from date of installation:**

All components incorporated in the fireplace at the factory.

#### **One Year from date of installation:**

Heat deflectors, ash grille, decorative trims and surrounds, the expanded metal mesh firescreen.

#### **EXCLUSIONS:**

This warranty does not cover any corrosion due to a saline or corrosive environment, distortion, scratches or discoloration due to over firing, damages incurred during shipping, nor any damages caused by improper assembly or mounting or improper use of the fireplace. Any defect or damage caused by the use of unauthorized parts or other than original parts void this warranty. Any service call related to an improper installation or use is not covered by this warranty.



Within ten days from date of installation, the original purchaser must register his warranty by sending the attached warranty card to the **local Bordelet Industrie S.A.S. distributor** whose name and address will be furnished by the authorized installer.

If during the warranty period the fireplace or a component ever becomes defective, the original purchaser must provide the following information when contacting his **Bordelet Industrie S.A.S.** installer:

His name, address and telephone number; a copy of the installer's invoice showing the date of installation and the model name and serial number of the fireplace, also he must verify that the same information appears on the nameplate affixed to the fireplace and any other information that might help in identifying the nature of the problem.

All implied warranties of merchantability and fitness for a particular use or purpose are hereby disclaimed with respect to all buyers/users. Some provinces and states do not allow the exclusion or limitation of incidental or consequential damages so the above limitations might not apply.

This warranty replaces any other expressed or implicit warranty and constitutes the sole obligation of **Bordelet Industrie S.A.S.** towards the original purchaser. This warranty does not cover cost of removal, reinstallation or shipping to repair or replace the defective part(s) nor administration fees incurred by the original purchaser.

**Bordelet Industrie S.A.S.** reserves the right to make modifications in the design, construction, or material which in it's judgment constitutes an improvement over previous design or manufacturing practices.

This warranty is only valid for installations made within the territorial limits of Canada or the Continental United States. In order to benefit from this warranty, the original purchaser must first receive a written return authorization from the **local Bordelet Industrie S.A.S. distributor** and work with the original installer to ship, any and all defective parts, freight prepaid back to the distributor.

-----  
**Warranty Card**

Date of manufacture: yr \_\_\_\_\_ /mm \_\_\_\_\_ /dd \_\_\_\_\_

Date of installation: yr \_\_\_\_\_ /mm \_\_\_\_\_ /dd \_\_\_\_\_

Model number: \_\_\_\_\_

Name and address of original purchaser:

\_\_\_\_\_  
\_\_\_\_\_  
\_\_\_\_\_

Signature: \_\_\_\_\_

Always include a copy of the bill of sales showing the date of installation

**ADDENDUM: INSTALLATION OF A VENTED GAS FIRE LOG SET IN A JC BORDELET TATIANA 997 CENTRALLY-LOCATED OPEN FIREPLACE.**

This fireplace has knockouts for the installation of a pipe for natural gas or propane for connection to a 61cm ( 24") max. width vented gas fire log set ( max. capacity 16.2 kw (55,000 btu/hr): and

- 1) Incorporating an automatic shutoff device: and
- 2) Complying with ANSI Z21.60-2012/CSA 2.26-2012, the Standard for Decorative Gas Burning Appliances For Installation In Solid-Fuel Burning Factory-Built Fireplaces approved to UL 127: and
- 3) That this installation is for a vented gas-fired heater. It uses air (oxygen) from the room in which it is installed. Adequate quantities of combustion and ventilation air must be provided. The installation and the provisions for combustion and ventilation air must conform with the National Fuel Gas Code, ANSI Z223.1/ NFPA54.\*, or the CAN/CGA-B149.1 Installation Code for natural gas and propane: and
- 4) That, in Canada, the installation and service of the vented gas fire log set be made by a licensed gas fitter or plumber licensed for gas installations: and
- 5) That, in the U.S A., it is highly recommended that the vented gas fire log set be installed and serviced by professionals who are certified by The National Fireplace Institute® (NFI) as NFI Gas Specialists: and
- 6) That, since the vented gas log set is designed as an attended appliance, it can only be operated in the presence of adults. Do not operate the vented gas log set if unattended, or in the presence of unattended children, especially those under 8 years of age, or while anyone is sleeping: and
- 7) That, solid fuels, garbage, scrap paper, cardboard or lumber must never be burnt on top of a vented gas log set installed in a factory-built fireplace.

**WARNING:** Before installing in a solid fuel burning fireplace, if not a new installation, the chimney flue and firebox must be cleaned of soot, creosote, ashes and loose paint by a qualified chimney sweep.

**CAUTION:** Do not install this fireplace/vented gas log combination in a confined space or in tightly constructed house without providing for combustion and ventilation air as stated in the National Fuel Gas Code ANSI Z223.1/NFPA54 or the CAN/CGA-B149.1 Installation Code for natural gas and propane

**NOTE:** Make sure that the proper gas type will be supplied to the vented gas fire log set as stated on the manufacturer's name plate before connecting it to any gas line. There is a flared fitting installed on the appliance at the factory. Ensure fittings are of the appropriate size on any tubing that is to be connected to the appliance. If the gas supply tubing has to be cut to length and shaped, be sure to use the proper cutting and flaring tool. Also, be careful not to crimp the tubing when it is being bent for connection which could restrict the gas flow to the appliance. If a crimp does occur in the tubing, do not use for installation. Gas resistant pipe compound must be used on all threaded male connections, with the exception of brass to brass fittings.

**GAS SUPPLY PRESSURE:** Minimum inlet gas supply pressure must be 5.0" W.C. for natural gas or 11" W.C. for LP gas for the purpose of input adjustment. Maximum inlet gas supply pressure must not exceed 10.5" W.C. for natural gas, or 13" W.C. for LP gas.

**CAUTION:** An external pressure regulator is required for L.P. gas to reduce supply pressure to a maximum of 13" W.C. It is required to use an exterior propane/L.P. fuel tank of not less than 45kg/ 100 lbs capacity.

**WARNING:** An explosion could occur if a connection is made directly to an unregulated LP gas tank.

The gas line supplying the vented gas fire log set must be of sufficient size to furnish adequate supply pressure to the gas log set while operated on the high setting. The vented gas fire log set must be inspected before use and must only be installed in a solid-fuel burning UL 127 approved factory-built fireplace with a working flue. During the installation, do not substitute or use materials or components other than those supplied for use with the vented gas fire log set.

**WARNING: CARBON MONOXYDE POISONING MAY LEAD TO DEATH**

When used without proper levels of combustion air, vented gas log sets may give off carbon monoxide, an odorless, colorless, poisonous gas. Certain people such as: pregnant women, or suffering from heart or liver disease, anemia, or intoxicated by alcohol, or residing at high altitude are more affected by carbon monoxide than others. Some symptoms related to carbon monoxide poisoning resemble flu symptoms, or painful headaches, or dizziness and/or nausea. If you or anybody else in your household shows these symptoms, the gas log set may not be installed or operating properly and/or the chimney may be obstructed or blocked.

**OPEN A WINDOW AT ONCE TO GET SOME FRESH AIR AND SHUT OFF THE GAS LOG SET IMMEDIATELY.**

Before using it again, have the gas log set and the chimney checked by a licensed gas fitter. And to prevent recurrence of these problems, have a licensed heating contractor install an outdoor combustion air intake leading to the room where the combination fireplace/gas log set is installed.

**WHAT TO DO IF YOU SMELL GAS.**

Do not try to light any appliance. Do not touch any electrical switch; do not use any phone in your building. Immediately call your gas supplier from a neighbor's phone. Follow the gas supplier's instructions. If you cannot reach your gas supplier, call the fire department.

A vented gas log set shall not be installed in a confined space or in a building with unusually tight construction unless provisions are made for adequate combustion and ventilation air.

A building with unusually tight construction is defined as structure where :

- a) exposed walls and ceilings have a 1 perm continuous vapor barrier with openings gasketed or sealed, and
- b) weather stripping has been added to windows and doors, and
- c) caulking has been applied to joints around windows and door frames, between sole plates, floors, wall-ceiling joints, wall panels, penetrations for plumbing, electrical wires, gas lines, vents and other openings.

The National Fuel Gas Code, ANSI Z 223.1/NFPA 54 defines a confined space as a space whose volume is less than 4.8 cu. meters per kw ( 49.5 cu.ft. per 1000 BTU/hr ) of the aggregate input rating of all working appliances installed in that space.

To determine if the area where the vented gas log set is to be installed is determined as an unconfined space use the following formula:

Length x Width x Height (min. 2.4m (8') x 20 = Maximum Input BTU's Allowed.

Rooms communicating directly with the space in which the gas log set is installed, through openings not furnished with doors, are considered part of the unconfined space. To install a vented gas log set of a capacity of 16.2 kw/hr (55,000 btu/hr ), the room volume must be at least 78 m<sup>3</sup> (2750 cu.ft.).

To determine the minimum permanent free opening that must be provided by the smoke pipe damper to vent the flue gases, follow the recommendations provided in Table 1. If the free opening is smaller than the specified area, do not install the vented gas fire log set. The smoke pipe damper must be fixed in a manner which will maintain the minimum permanent vent opening at all times.

A damper stopper must be procured with the vented gas log set. The licensed installer/gas fitter, responsible for the installation, will affix the supplied damper stopper on the edge of the smoke pipe damper blade to prevent full closure of the smoke pipe damper blade and provide a minimum flue opening in accordance with the recommendations provided in Table 1.

Total Height of Chimney	Min. Area of Free Opening
4.6m ( 15')(minimum height)	225.81 cm <sup>2</sup> ( 35 in <sup>2</sup> )
6.0m ( 20')	200.00 cm <sup>2</sup> ( 31 in <sup>2</sup> )
7.6m ( 25')	193.6 cm <sup>2</sup> ( 30 in <sup>2</sup> )
9.2m ( 30')	180.7 cm <sup>2</sup> ( 28 in <sup>2</sup> )

Note: Minimum chimney height with a vented gas log set is 4.6m ( 15').

Bloqueur de Clapet



Damper Stopper

The state of Massachusetts requires the chimney damper to be removed or to be welded in the fully open position. The State of Massachusetts also mandates that the installation be made by a Massachusetts licensed plumber or gas fitter.

**Warning:** The vented gas log set is designed as an attended appliance and can only be operated in the presence of adults. Do not operate the vented gas log set if unattended, or in the presence of unattended children, especially those under 8 years of age, or while anyone is sleeping. Do not place stockings, clothing or any flammable material above or near the fireplace.

**Warning:** The fireplace and vented gas log set function as a system. If flames or combustion gases spill out of the fireplace into the room (check with a match or smoke stick), make sure that no exhaust fans, exhaust hoods and clothes dryers are creating a negative pressure within the home, if so, please shut them all down. If the condition persists with all fans off, then the flue damper must be readjusted, by a licensed gas fitter, to a larger opening until a positive draft is obtained.

**Warning:** Fireplace systems that do not draft properly can increase the amount of soot produced by the vented gas log set and, in extreme cases, can cause soot to be deposited within the room. This effect can be a sign of a blocked chimney, a faulty vent system or the result of negative air pressure within the home. A licensed gas fitter should be able to determine if such a problem exists and be able to provide a solution to the improper venting of the fireplace/gas log set combination as outlined in Section 2.3.8 on page 12 and 13 of this manual.

**Caution:** Do not put furniture or other objects around the fireplace that will obstruct the flow of combustion air. Maintain a minimum clearance of 1.2m (48") to all objects around the fireplace. Keep the room where the fireplace is situated clear and free from combustible material. Gasoline and other flammable vapors and liquids must be stored in sealed containers in a well-ventilated room or structure that does not adjoin the room where the fireplace is situated. **The fireplace firescreen must always be installed when using the gas log set.**

#### **Yearly Inspections:**

The fireplace and the vented gas log set should be inspected at least annually in Canada by a licensed gas fitter or in the U.S.A. by professionals who are certified by the National Fireplace Institute® (NFI) as NFI Gas Specialists. A yearly examination and cleaning of the chimney, smoke pipe and firebox of the solid-fuel burning fireplace must be performed by a licensed service technician or certified chimney sweep. A yearly inspection to clean pilot and burners must be performed In Canada by a licensed gas fitter or in the U.S.A. by an NFI Gas Specialist. If any part or component has gone beyond it's usable life, it must be replaced with an exact replacement. It is imperative that control compartments, burners and circulating air passageways of the vented gas fire log set be kept clean. More frequent cleaning is required in the presence of excessive dust, lint and dirt, etc.

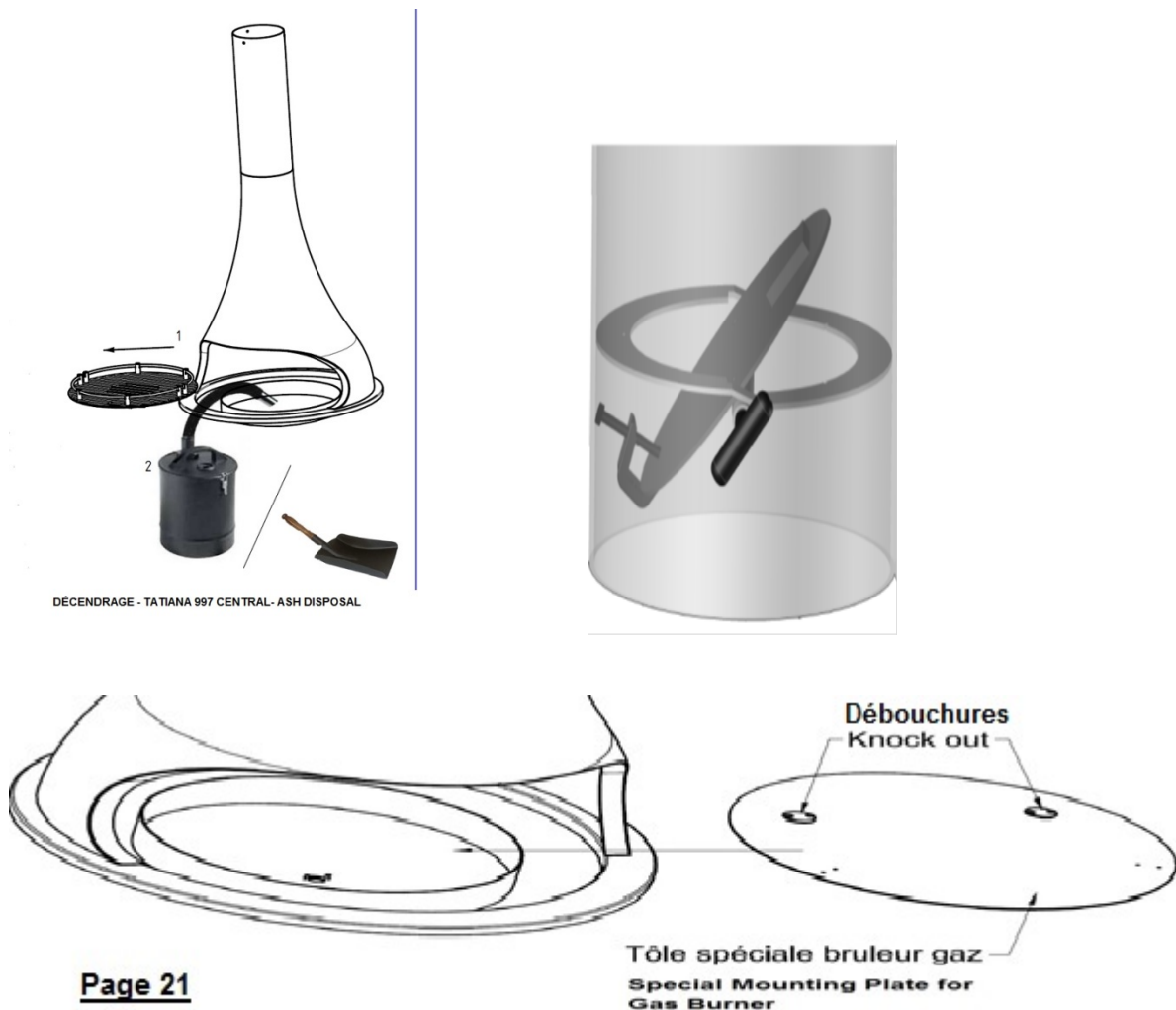
**Warning:** Do not use the vented gas fire log set and it's associated fireplace if any part of either device has been submerged in water. In Canada, immediately call a licensed gas fitter or in the U.S. A. , an NFI Gas Specialist to inspect the fireplace/vented gas fire log set and to replace any part which has been submerged under water including the gas valve, burner tubes, pilot , igniter and all components related to the gas control system.

## Installation of a vented Gas Fire Log Set in a JC Bordelet Fireplace approved to UL 127

- 1) If fireplace has been used to burn wood, remove fireplace grate and remove all accumulated ashes. Consult section 2.4.4 on page 14 of this installation manual for this step. Replace grate with mounting plate for gas fire log.
- 2) Install damper stopper on smoke pipe damper as shown in figure 1.
- 3) Remove bottom knockout of fireplace and the suitable one on top of mounting plate in preparation of installation of gas pipe. Thread flexible gas pipe through knockouts without kinking it.
- 4) Permanently fix mounting plate for gas fire log set to fireplace.
- 5) Make sure that the proper gas will be supplied to the gas log set as stated on gas log set manufacturer's nameplate before attempting to mount gas fire log set on fireplace.
- 6) Center gas fire log set on mounting plate, making sure that proper clearance will be maintained from the firescreen to prevent damaging it, drill mounting holes and bolt/screw on gas fire log set.
- 7) Follow gas log set manufacturer's installation instructions to the letter.
- 8) Connect gas line to gas control of fire log, and pressure test the installation to ensure that there are no leaks. If there are no leaks, proceed to install the decorative fire logs and open manual shutoff valve.
- 9) Light gas fire log at maximum setting, install firescreen using two cool hand tools and make sure that no flames are spilling out of the fireplace and all products of combustion vent up the chimney. If there are problems with improper draft at this point, make sure no vents are open or fans are operating and that there are no other factors influencing the draft as detailed in section 2.3.8 on pages 12 & 13 of this installation manual.

Décendrage/Ash Disposal

**Fig. 1: Proper installation of damper stop.**

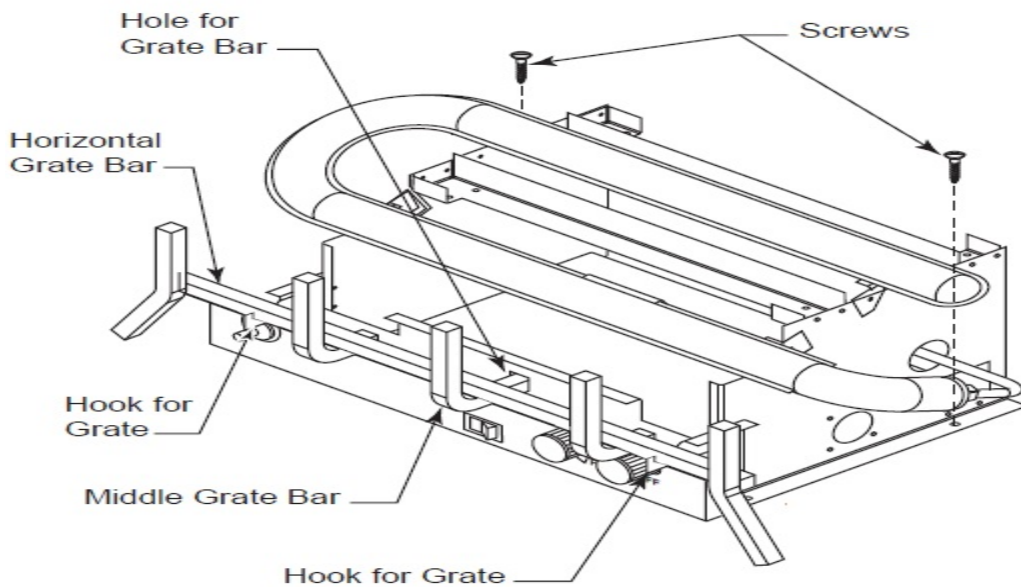


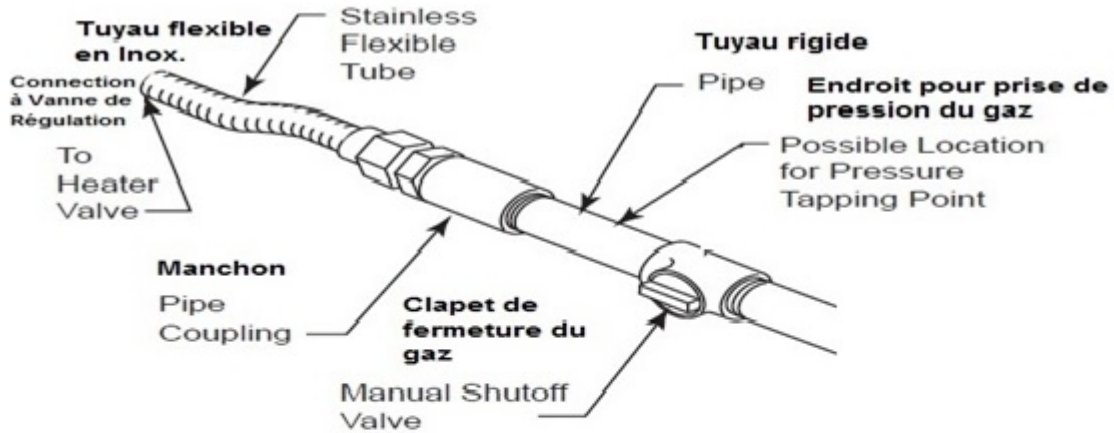


**Assemblage Typique - Bûche Décorative  
au Gaz (Gaz Naturel ou Propane) -  
Typical Assembly of a Gas Fire Log Set  
(Natural or Propane Gas)**

---

**Typical Vented Gas Log Set**





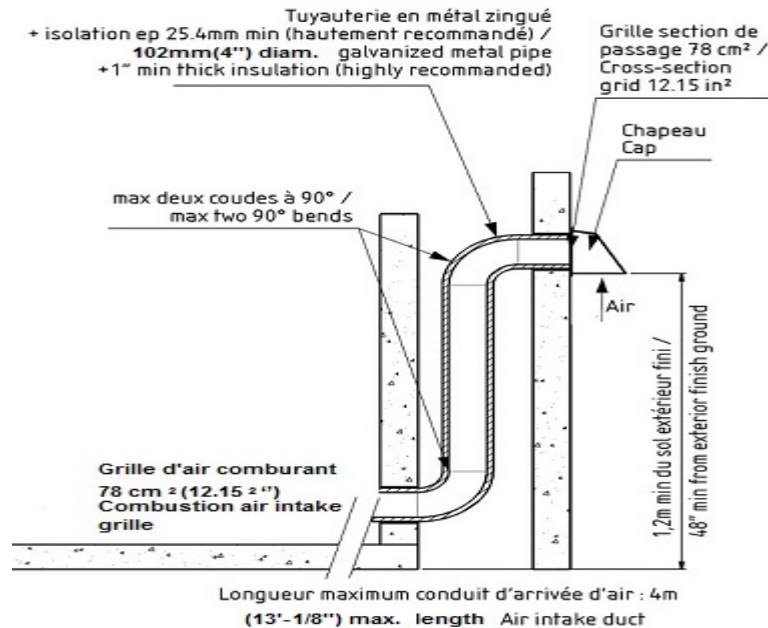
**Composants typiques d'une conduite d'alimentation de gaz naturel ou propane.**

**Typical components of a supply gas line, natural or propane**

**La longueur maximum permise du conduit de gaz flexible est de 91cm(36") et doit comporter un clapet de fermeture manuel.**

**The maximum permissible length of flexible gas line is 91cm(36") and must be provided with a manual shutoff valve.**

### Combustion Air Intake (Recommended Option)



JC Bordelet S.A.S. shall be held harmless from any and all claims by the buyer/user as a result of injury or damage to an ultimate user or other person caused by the installation of a vented gas log set in a JC Bordelet S.A.S. fireplace, whether the injury or damage results from the assembly, installation, operation, shipment, storage or manufacture of said vented gas log set.