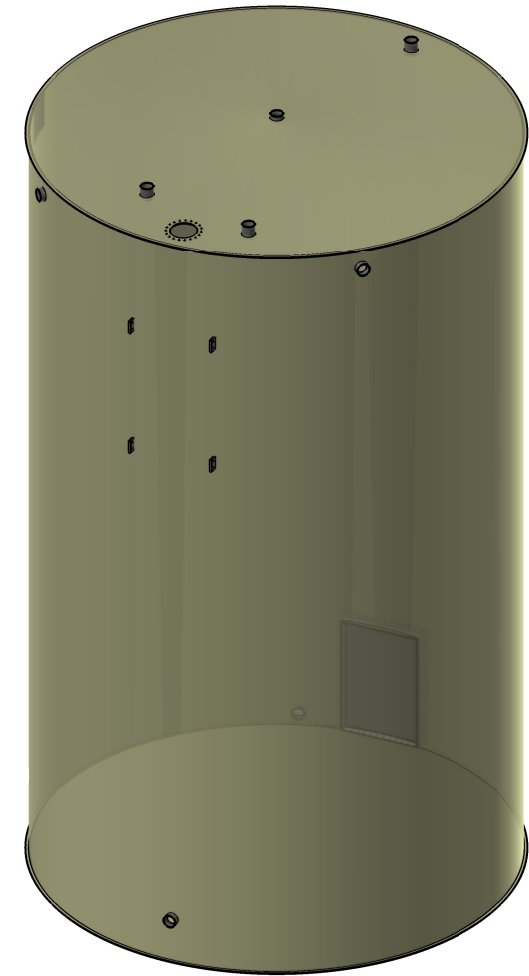
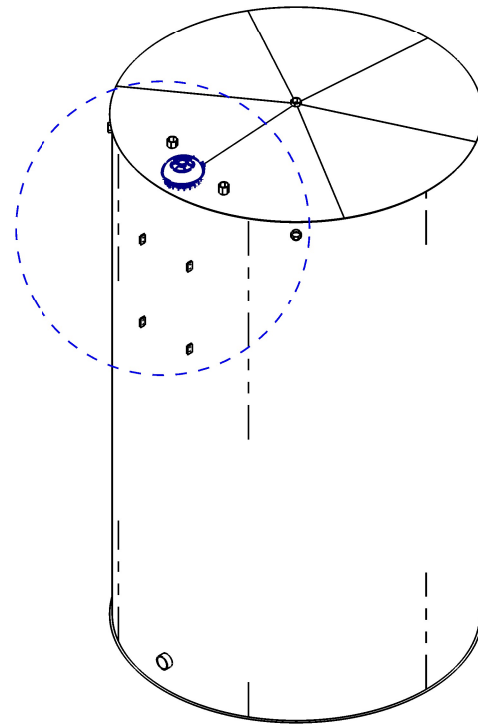
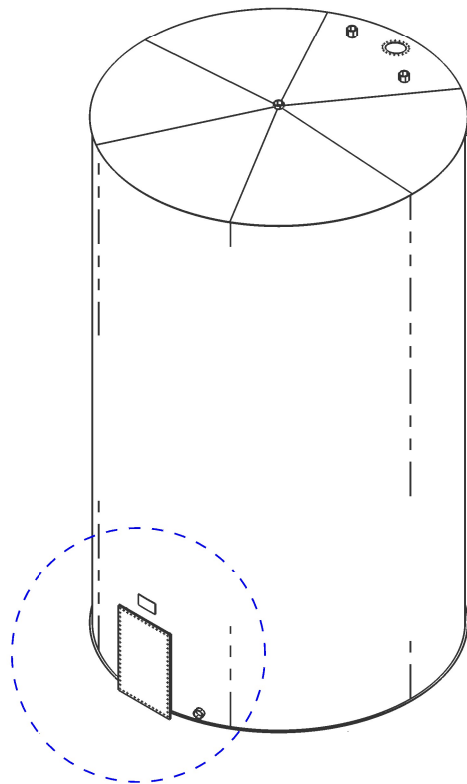
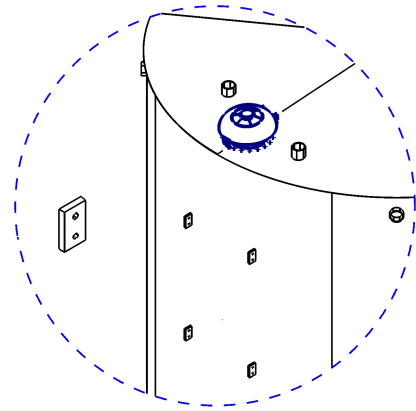
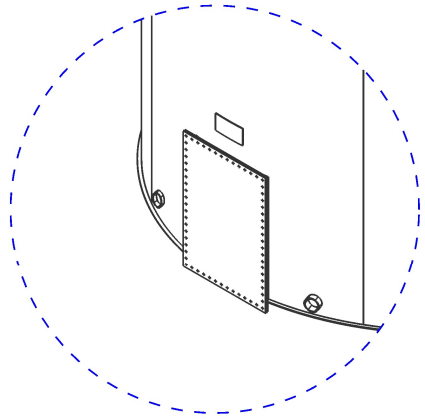


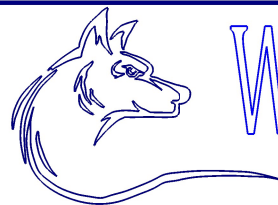
Please use this key to configure your custom connections

MARK	QTY	SIZE	RATING	FACING	NECK	O.S.	I.S.	TYPE
C14								
C13								
C12								
C11								
C10								
C9								
C8								

SCHEDULE OF OPENINGS/INT. EXT. COATING												
Coating												
External												
(M)	1	24" X 36"	API 12	- F	CLEANOUT/MANWAY							
(H)	1	8"	Standard				4 oz / -4 oz	THEF HATCH				
C7	1	4"	API	NPT	(H) CPLG	1/4"	III	1/4"	1/4"	DRAIN LINE CONNECTION		
C6	1	4"	API	NPT	(H) CPLG	1/4"	III	1/4"	1/4"	PIPE LINE CONNECTION		
C5	1	4"	API	NPT	(H) CPLG	1/4"	III	1/4"	1/4"	OVERFLOW LINE CONNECTION		
C4	1	4"	API	NPT	(H) CPLG	1/4"	III	1/4"	1/4"	OVER LINE CONNECTION		
C3	1	4"	API	NPT	(H) CPLG	1/4"	III	1/4"	1/4"	VENT LINE CONNECTION		
C2	1	4"	API	NPT	(H) CPLG	1/4"	III	1/4"	1/4"	FILL LINE CONNECTION		
C1	1	4"	API	NPT	(F) CPLG	1/4"	III	1/4"	1/4"	AUXILIARY CONNECTION SERVICE		



MATERIAL	
ROOF	1/4" A - 36
SHELL	3/16" A - 36
BOTTOM	1/4" A - 36
PIPE	A - 53
SERVICE GASKETS	1 / 8" Viton
BOLTING	SA - 193 - B7 / SA - 194 - 2H



WOLFBERRY MFG., LLLP

2293 STATE HWY N., STANTON, TEXAS 79782

Title:	
Drwng #:	
Customer:	
Date:	By: Cain, James