

CYANNA VALLEY SPAS STEPS FOR START-UP

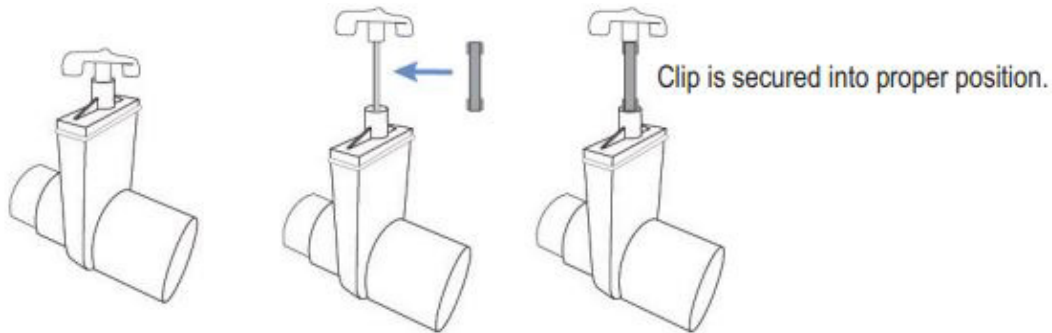
NOTE: Do not power on spa when it is empty!

All spas are designed to be permanently connected to their power source. 240v spas require a certified electrician for installation.

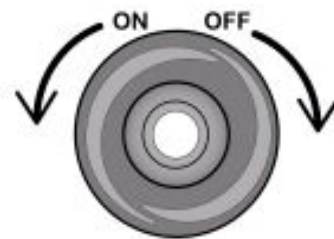
Extension cords or power strips can NOT be used.

1. Remove cabinet door panel on the side of the spa with the serial plate. Check that pump(s) and heater barrel unions are tightened (it is possible for these connections to become loose during transportation). Also check that all T-Handled gate valves are pulled in the up and open position with the clip locked in place.

Leaks from unions are not covered by the spa's warranty



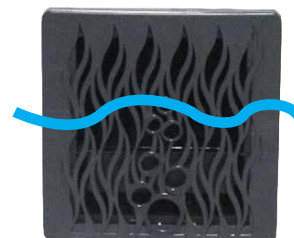
2. Ensure the external drain valve is firmly pressed into the spa and the jets are in the open position.



Adjustable jets will rotate clockwise (off) or counter-clockwise (on)

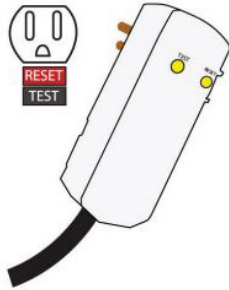
3. Slide up your spa's filter grate and remove the filter and skimmer basket. Insert your garden hose down the filter line; this will flood the plumbing lines of the spa and help prevent an air lock.

4. Fill your spa 2/3 of the way up the skimmer opening.



110v SPAS

5. Once the spa is filled to the correct level of water, plug the power cord into the receptacle. Be sure the reset button has been pressed on both the wall receptacle and the plug's GFCI.



220v SPAS

5. Once the spa is filled to the correct level of water, switch the spa ON at the GFCI breaker switch.

Switches should not be located within 10 feet of the spa.

6. After the spa is powered on, the topside control panel will display a sequence to signal it is on. Wait until you see RUN PUMPS PURGE AIR then press Jets. This will begin your Priming Mode. Priming Mode should end automatically after 5 minutes.

If it is not done priming by that time, power off your spa and contact customer service.

7. Once the water is circulating, it will take 1 to 2 minutes to show the water temperature. Adjust the water temperature to the desired level, set the time and set the filter duration.

8. Add and adjust the chemicals to your spa water following the chemical start-up procedure supplied to you by your local spa dealer.

9. Ensure the hard cover remains fitted to the spa as this will greatly reduce heat-up time.

**STILL GOT QUESTIONS? PLEASE CONTACT US AT
CUSTOMERSRVC@CYANNAVALLEYSPPAS.COM**