



CLEEMANN
CHAIR-SYSTEMS

GLOBAL EXPERTS
IN MARITIME SEATING

EDITION 2016/17

www.chair-systems.com



CLEEMANN

CLEEMANN – GLOBAL EXPERTS IN MARITIME SEATING

Since 1978, Cleemann Chair-Systems have been providing highly sophisticated, functional and extremely comfortable pilot chair systems to shipbuilders and shipowners all over the world. Being well-known for the high level of flexibility when designing an individual seat application, we have become established a leading company in the market.

Cleemann specialises in purpose built, ergonomic chair solution for a wide range of vessels including navy ships, rescue boats, work boats, luxury yachts and commercial ships. Our chairs are manufactured in accordance with strict ISO quality standards as well as the rules of major international classification societies and defence regulations.

Nowadays Cleemann makes use of the latest Solid Works 3D software in order to present a fast and professional solution when the standard does not fit.

Being situated in Ense, Germany near the industrial metropolitan Ruhr Area, we are performing global presence being supported by trading partners and agents all over the world.

We are an ISO-certified company!





REFERENCES

References Navy including

- German Navy
- German Coast Guard
- Finnish Coast Guard
- Russian Navy
- Royal Navy of Malaysia
- Police Departement V.A.E
- Spanish Guardia Civil
- Indish Coast Guard
- Hellenic Navy
- UK-Coast Guard
- Finnish Navy
- US-Navy
- Portuguese Navy
- Singapore Coast Guard
- Chinese Coast Guard
- Royal Netherlands Navy

References miscellaneous

- Transas Marine
- Furuno
- SAM Electronics
- Imtech Marine
- Telecom Italia
- Technical University Munich
- MAN Ferrostahl
- Hydrovision
- Bombardier
- Kaefer Schiffsbau

- R&M Shiptec
- Raytheon Marine
- CAE Simulators
- Lufthansa Flight Training
- SPA Gorizont
- AIDA Cruises
- MOOG Simulators
- Rheinmetall Defence
- BAE Systems

References Shipyard including

- Samsung Heavy Industries
- Blohm & Voss
- IHI Marine
- Hudong Zhonghua
- Shanghai Shipyard
- ABG India
- Aker Solutions
- Colombo Dockyard
- Hyundai Heavy Industries
- Yardimci
- Balenciaga
- Daewoo Shipbuilding
- Bharati Shipyard
- Volkswerft Stralsund
- Riviera Boats
- HDW Shipbuilding
- Rodman Polyships
- Volharding

- Sedef Shipyard
- Constanta Shipyard
- 3. Maj
- Thyssen Krupp Nordseewerke
- Strategic Marine
- Jiangzhou Shipyard
- Fujian Shipbuilding
- Baltic Workboats
- Wang Tak Eng.
- Flensburger Shipyard
- Seaward Marine
- Odense Shipyard
- Meyerwerft
- Abeking & Rasmussen
- Shipyard Rousse
- Abu Dhabi Shipbuilding
- Saigon Shipyard
- Hanjin Heavy Industries
- Cochin Shipyard
- Goa Shipyard
- Qingshan Shipyard
- Dalian Shipbuilding
- Shipyard Gdynia
- Weihai Shipyard
- Grandweld Shipyards
- TOPAZ Engineering
- and many more ...

Tested, certified and approved in cooperation with:



QUICK FINDER

Our quick finder gives you a first overview of the different seat-models and their key features.

The naming of our seats already includes the most important features. The *Nautic PRO* for example offers lots of comfort and ergonomic design. The *Nautic STAR* however features a heavy-duty suspension unit. Please check also the symbol guide below for more information.



NAUTIC PRO → 10/11
The Professional

High comfortable, professional helmsman chair in ergonomic design.



NAUTIC → 12
The Classic

Popular and highly-functional helmsman chair. Strong and proven design.



NAUTIC STAR → 13
The Allrounder

With same functions as *Nautic* but with strong suspension system. 12G-Version available.



NAUTIC PRO STAR → 14
The Professional Allrounder

With same functions as *Nautic PRO* but with strong suspension system.



NAUTIC PRO STAR AIR → 15
The Comfortable

With same functions as *Nautic PRO* but with advanced air damping system.



OPERATOR STAR / IMO → 16
The Strong

Special mission chair with strong shock absorbing system. 12G-Version available.



OPERATOR PRO STAR → 17
The Strong Convenient

With same functions as *Operator STAR* but with new ergonomic backrest design.



DOLPHIN → 18
The Excellent

Space-saving solution for smaller wheelhouses.



DOLPHIN COMPACT → 19
The Suitable

Compact and foldable operator seat. A space-saving solution.

QUICK FINDER



OYSTER → 20
The Compact

Foldable seat for wall fastening. Space-saving and convenient.



SEAGULL → 21
The Flexible

Strong but movable work-chair for pilots and operators with 5-star-leg.



COMMANDER XXL → 24
The Mastermind

Most professional operator seat. Capable to include numerous control units and functions.



COMMANDER XL → 25
The Mastermind

High-class operator seat. Capable to include up to 3 control units and screen holders.



COMMANDER L → 26
The Mastermind

Mid-class operator seat with sufficient space for smaller controlling equipment.



COMMANDER M → 27
The Mastermind

The perfect solution if only one control unit is requested.



NAUTIC STAR CREW → 28
The strong Allrounder

A suspended and 12G-tested modular seat concept for crew members on board.



DECK RAIL → 30

Special sliding for smooth and fast moving – usable in combination with all Cleemann seats (except Oyster and Seagull)

SYMBOL GUIDE



PRO
Ergonomical design, comfortable functions



STAR
With strong suspension or shock absorber



COMPACT
Space saving solution

Special features:



12 G tested
Tested acc. to HSC Codes and certified by GL



SHOCK tested
Tested acc. to Naval shock regulations



CUSTOMIZED
Individual seat configuration possible



**GLOBAL EXPERTS
IN MARITIME SEATING**







12 GOOD REASONS

FOR A CLEEMANN SEAT:

1. High quality upholstery with individual logo stitch (optional)
2. Adjustable armrests
3. Variable seat depth
4. Infinite height adjustment of the seat top
5. Seat angle adjustment
6. Length adjustment of the seat top
7. Adjustable footrest
8. Adjustable backrest
9. Rotating mechanism
10. Strong Lifting-column
11. Deck rail
12. Aluminium ramp-frame

PROFILE Highly ergonomical, professional helmsman chair in a premium design. Corresponds to the highest standards of ergonomics, comfort and functionality. With just a few adjustments, it turns into a fully customized wheelhouse chair that precisely meets every captain's individual requirements. The innovative ergonomic basic shape and easy-to-use controls promote a healthy posture at all times.

RECOMMENDED APPLICATION Large ships such as: Container, Tanker, MPC, Ro-Ro, Ferry.



SERIAL FEATURES

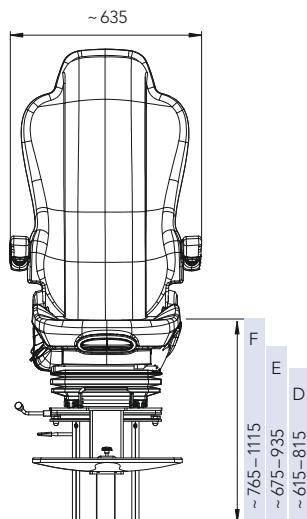
- High comfort-backrest
- Foldable armrests
- Seat angle adjustment
- Adjustable backrest
- Seat rotates 360°
- Foldable footrest
- Fabric or real leather, black

OPTIONS

- Electrical height adjustment
- Seat heater
- Seatbelt
- Logo-Stitch
- Custom upholstery – see page 29

EXTRAS

- Deck rail – see pages 30–31
- Controller equipped armrest – see page *Commander M-XXL*
- Seat top only
- For direct mounting or mounted on box – see page *Nautic STAR CREW*



Product Code CCS030

Subject to change without prior notice · Pictures may show optional equipment

NAUTIC

The Classic

PROFILE This popular and highly-functional helmsman chair offers high comfort to the user. All functions can be operated while seated. The chair is designed according to the ergonomical and technical requirements of leading classification companies. Also available as »ergo-package« with lumbar support and comfort seat cushion for special demands.

RECOMMENDED APPLICATION Large ships such as: Container, Tanker, MPC, Ro-Ro, Ferry.



SERIAL FEATURES

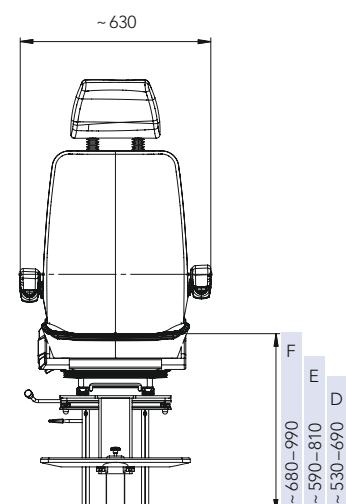
- Adjustable headrest
- Foldable armrests
- Adjustable backrest
- Seat rotates 360°
- Lumbar support
- Foldable footrest
- Upholstery:
fabric or real leather, black

OPTIONS

- Electrical height adjustment
- Seat heater
- Seatbelt
- Logo-Stitch
- Custom upholstery – see page 29

EXTRAS

- Deck rail – see pages 30–31
- Controller equipped armrest – see page *Commander M*
- Seat top only
- For direct mounting or mounted on box – see page *Nautic STAR CREW*



Product Code CCS022

Subject to change without prior notice · Pictures may show optional equipment



NAUTIC STAR

The Allrounder

PROFILE The helmsman chair *Nautic STAR* offers the same functions as the *Nautic* but is additionally equipped with a special suspension system, lumbar support and an individual weight adjustment for the most comfortable seating even in »rough« seas. Shock tested and 12G-tested version available.

RECOMMENDED APPLICATION Same as *Nautic* but also for smaller vessels and workboats.



SERIAL FEATURES

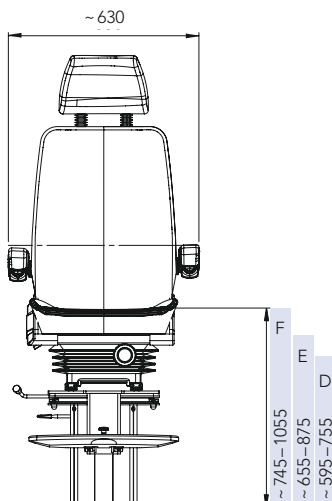
- Mechanical suspension
- Weight adjustment
- Adjustable headrest
- Foldable armrests
- Adjustable backrest
- Seat rotates 360°
- Lumbar support
- Foldable footrest

OPTIONS

- Electrical height adjustment
- Seat heater
- Seatbelt
- Logo-Stitch
- Custom upholstery – see page 29

EXTRAS

- Deck rail – see pages 30–31
- Controller equipped armrest – see page *Commander M*
- Seat top only
- For direct mounting or mounted on box – see page *Nautic STAR CREW*



Product Code CCS023

Subject to change without prior notice · Pictures may show optional equipment

NAUTIC PRO STAR

The Professional Allrounder

PROFILE The helmsman chair *Nautic PRO STAR* offers such functions as the *Nautic PRO* but is additionally equipped with a special suspension system and an individual weight-adjustment for most comfortable seating even in »rough« sea.

RECOMMENDED APPLICATION Large ships such as: Container, Tanker, MPC, Ro-Ro, Ferry also for smaller vessels, workboats and Navy.



SERIAL FEATURES

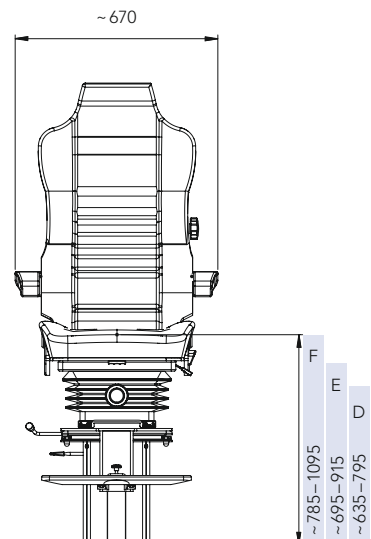
- Mechanical suspension
- Weight adjustment
- High comfort-backrest
- Foldable armrests
- Adjustable backrest
- Seat rotates 360°
- Lumbar support
- Foldable footrest

OPTIONS

- Electrical height adjustment
- Seat heater
- Seatbelt
- Logo-Stitch
- Custom upholstery – see page 29

EXTRAS

- Deck rail – see pages 30–31
- Controller equipped armrest – see pages *Commander M–XXL*
- Seat top only
- For direct mounting or mounted on box – see page *Nautic STAR CREW*



Product Code CCS031

Subject to change without prior notice · Pictures may show optional equipment



NAUTIC PRO STAR AIR

The Comfortable

PROFILE The high-class ergonomical, professional helmsman and operator seat offers the best possible air damping system ensuring high-performance even in heavy conditions. This seat corresponds to the highest standards of ergonomics, comfort and functionality.

Also available as non-suspended helmchair – *Nautic PRO* see page 10 – 11.

RECOMMENDED APPLICATION Large ships such as: Container, Tanker, MPC, Ro-Ro, Ferry also for smaller vessels, workboats and Navy.



SERIAL FEATURES

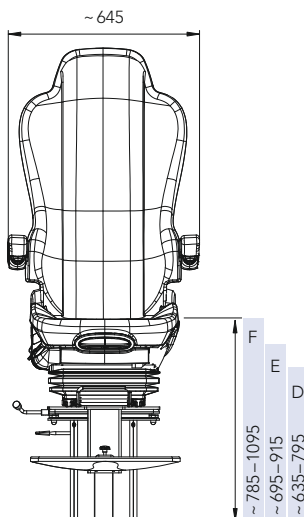
- Advanced air damping system (with integrated compressor)
- Adjustable vertical suspension
- High comfort-backrest
- Foldable armrests
- Adjustable backrest
- Seat rotates 360°
- Lumbar support
- Foldable footrest

OPTIONS

- Electrical height adjustment
- Seat heater/active clima system
- Seatbelt
- Logo-Stitch
- Custom upholstery – see page 29

EXTRAS

- Deck rail – see pages 30–31
- Controller equipped armrest – see page *Commander M*
- Seat top only
- For direct mounting or mounted on box – see page *Nautic STAR CREW*



Product Code CCS032

Subject to change without prior notice · Pictures may show optional equipment

OPERATOR STAR/IMO



The Strong

PROFILE Special mission chair for naval and high-speed applications. A very special and strong shock-absorbing system combined with a proven mechanical suspension leads to ultimate power in »rough« seas and speedy operations.

Also available with low backrest.

RECOMMENDED APPLICATION Workboats, Highspeed-crafts, Navy, Coast-guard, Patrol-boats, Police-boats.



Picture shows IMO-Version



SERIAL FEATURES

- Shock absorbing-system
- Weight adjustment
- Adjustable headrest
- Foldable armrests
- Adjustable backrest
- Seat rotates 360°

OPTIONS

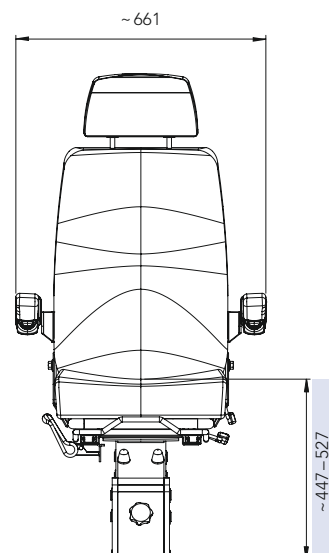
- Seat cushion depth adjustment
- Seat heater
- Seatbelt
- Logo-Stitch
- Custom upholstery – see page 29

EXTRAS

- Deck rail – see pages 30–31

IMO-VERSION

- Tested with 12 G
- 4-point harness belt
- Extra-strong steel-frame



Product Code CCS044 Operator STAR
CCS046 Operator STAR IMO

Subject to change without prior notice · Pictures may show optional equipment



OPERATOR PRO STAR

The Strong Convenient

PROFILE The comfortable and modern version of the longstanding established *Operator STAR* offers a very special and strong shock-absorbing system combined with a proven mechanical suspension.

Proven quality in combination with modern design.

RECOMMENDED APPLICATION Workboats, Highspeed-crafts, Navy, Coast-guard, Patrol-boats, Police-boats.



SERIAL FEATURES

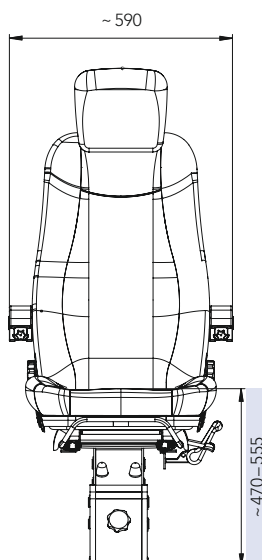
- Shock absorbing-system
- Weight adjustment
- Adjustable headrest
- Foldable armrests
- Adjustable backrest
- Seat rotates 360°

OPTIONS

- Seat cushion depth adjustment
- Seat heater
- Logo-Stitch
- Custom upholstery – see page 29

EXTRAS

- Deck rail – see pages 30–31



Product Code CCS048 Operator PRO STAR

Subject to change without prior notice · Pictures may show optional equipment

PROFILE Helmsman and operator chair with comfortable design; the ideal space-saving solution for smaller wheelhouses. The Dolphin is equipped with basic functions and corresponds to the requirements of leading classification companies.

RECOMMENDED APPLICATION Large ships such as: Container, Tanker, MPC, Ro-Ro, Ferry, Inland waterway vessel.



SERIAL FEATURES

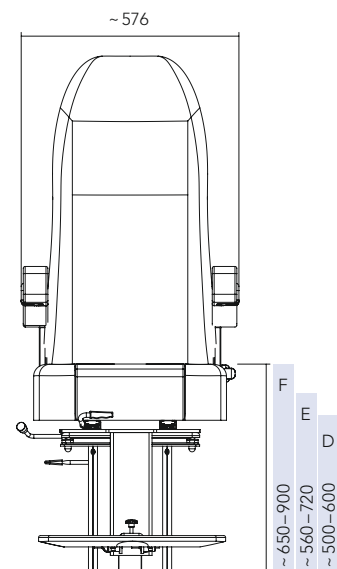
- High comfort-backrest with integrated headrest
- Foldable/angle adjustable comfort armrests (upholstered)
- Backrest adjustment ~90°
- Fore/aft adjustment 160 mm
- Swivel-mechanism 360°
- Foldable, angle-adjustable footrest/ swivels together with the seat-top

OPTIONS

- Electrical height adjustment
- Logo-Stitch
- Custom upholstery – see page 29

EXTRAS

- Deck rail
- Controller equipped armrest: see page *Commander M*



Product Code CCS110

Subject to change without prior notice · Pictures may show optional equipment

PROFILE Compact and space-saving seat for different applications on board. Due to its swivel mechanism in combination with the fold-away seat cushion the Dolphin Compact offers an ideal solution for close bridge cabs.

RECOMMENDED APPLICATION All ships

SERIAL FEATURES

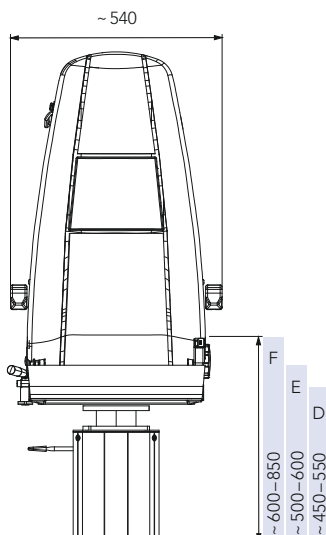
- High comfort-backrest with integrated headrest
- Foldable armrests
- Adjustable backrest
- Seat rotates 360°
- Fold-away seat cushion

OPTIONS

- Foldable footrest
- Electrical height adjustment
- Seatbelt
- Logo-Stitch
- Custom upholstery – see page 29

EXTRAS

- Deck rail – see pages 30-31
- Seat top only (includes turntable)



Product Code CCS091

Subject to change without prior notice · Pictures may show optional equipment

PROFILE Foldable seat for wall fastening.
A place-saving and convenient solution on board.



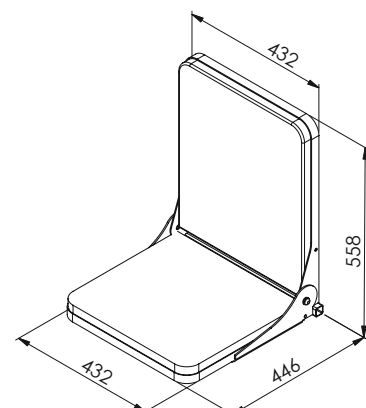
SERIAL FEATURES

- Upholstered backrest
- Tension-spring supported folding mechanism
- Upholstered and upfoldable seat pan
- Underside of seat pan with black plastic cover
- Surface: metal parts phosphated and powder-coated, standard black, galvanized
- Upholstery-material: standard fabric grey

Also available without backrest and in various widths.

ACCESSORIES

- Upholstered headrest for wall fixing
- Seatbelt with retractor
- Upholstery-material: special material according to customer's specification



Product Code CCS100

Subject to change without prior notice · Pictures may show optional equipment

SEAGULL

The Flexible

PROFILE Strong, but easy to move work chair for pilots and operators.
Available also with securing lug and mounting plate.

RECOMMENDED APPLICATION All ships (for pilots), barges.

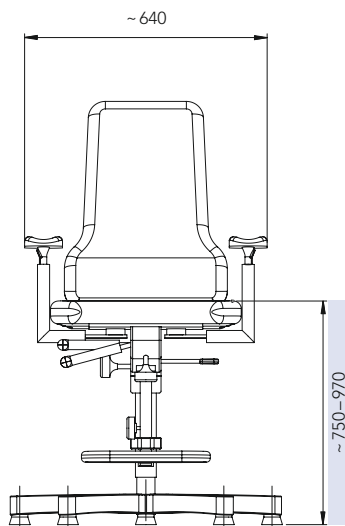


SERIAL FEATURES

- Multifunctional comfort armrests
- High Backrest adjustment
- Backrest angle adjustment
- Seat-top angle adjustment
- Foldable/height-adjustable footrest
- Upholstery: vinyl black/fabric black

OPTIONS

- Turnable (height differs from the standard model)
- Equipment for floor fixture



Product Code CCS080

Subject to change without prior notice · Pictures may show optional equipment

COMMANDER

The Mastermind

CLEEMANN'S EVOLUTION Customizable operator seats for on- and offshore application. With fully integrated controls in the armrests the new operator seat *Commander* has specially been developed to meet the extreme needs and levels of comfort required on the new generation of vessels. The special armrest consoles provide plentiful space for a number of steering controls and instruments. This permits relaxed manoeuvring without any



loss of comfort and control. Lots of individual adjustment possibilities meet the strongest demands of ergonomics for the operator. The custom-built armrests are designed and manufactured individually to include a wide range of equipment provided or specified by the customer. With four modular cut-out sizes (M · L · XL · XXL) we will guide you through hundreds of possible combinations.

Cleemann's *Commander* series was specially developed to meet the extreme needs and levels of comfort required on the new generation of vessels.

The custom built armrests are designed and manufactured individually to include a wide range of control-equipment provided or specified by the customer.



3D-DESIGN

In order to react on individual requests from our customers we are now able to design customized seat solutions with a professional 3D software.

The SolidWorks 3D CAD solutions enable us to transform quickly new ideas into real products.

As a result we are able to convert the drawings into any common data format (.IGS/ .STEP/ .dxf etc.) so that our customers can easily integrate our seats into their existing ship design.

The SolidWorks 3D CAD solutions enable us to transform new ideas into real products quickly. The customer gets the chance to create an almost unlimited number of configurations, together with our design-team.

Please contact us for details.

COMMANDER – LET'S MAKE IT INDIVIDUAL.

LET'S GO
DESIGN



COMMANDER XXL



PROFILE The *Commander XXL* is the most professional operator seat of the latest generation and offers almost unlimited possibilities for planning and producing your individual command chair. The seat is suitable to include numerous control units and functions such as DP, autopilot, chart radar and conning display.

POSSIBLE SEAT COMBINATIONS*

Nautic PRO – see page 11

Nautic PRO STAR – see page 14

*with front handling



CUSTOMIZED

COLUMN TYPE

- Electrical
- Fixed height

REVOLVING TYPE

- Electrical
- No turning

OPTIONS

- Electrical deck rail
- Communication system/microphone
- Screen holder
- Joystick holder
- Trackball holder
- Keyboard pad
- Switch panel
- Other options on request



Product Code Individual

Subject to change without prior notice · Pictures may show optional equipment

PROFILE The *Commander XL* represents the high-class-range of the new Cleemann operator seat. This seat is suitable to include up to 3 control units. Furthermore a screen holder can be attached at the front face of each armrest.

POSSIBLE SEAT COMBINATIONS*

Nautic PRO – see page 11

Nautic PRO STAR – see page 14

*with front handling



CUSTOMIZED

COLUMN TYPE

- Electrical
- Fixed height

REVOLVING TYPE

- Electrical
- No turning

OPTIONS

- Electrical deck rail
- Communication system/microphone
- Screen holder
- Joystick holder
- Trackball holder
- Keyboard pad
- Switch panel
- Other options on request



Product Code Individual

Subject to change without prior notice · Pictures may show optional equipment

COMMANDER L



PROFILE The *Commander L*, representing the mid-class range, also offers sufficient space for armrest casings which can be fitted with up to three controlling equipment of the customers choice. Screen holders can be attached at the front face of the armrest as well.

POSSIBLE SEAT COMBINATIONS*

Nautic PRO – see page 11

Nautic PRO STAR – see page 14

*with front handling



CUSTOMIZED

COLUMN TYPE:

- Electrical
- Fixed height

REVOLVING TYPE:

- Electrical
- Mechanical
- No turning

OPTIONS

- Mechanical deck rail
- Electrical deck rail
- Communication system / microphone
- PC-Box
- Screen holder
- Joystick holder
- Trackball holder
- Keyboard pad
- Switch panel
- Other options on request

Product Code Individual

Subject to change without prior notice · Pictures may show optional equipment



COMMANDER M

PROFILE The *Commander M* is the perfect solution if only one or two control units are requested. The holder for the controller will also be customized and can include a wide range of equipment such as joysticks, trackballs and smaller monitors.

POSSIBLE SEAT COMBINATIONS

Nautic PRO – see page 10/11

Nautic – see page 12

Nautic STAR – see page 13

Nautic PRO STAR – see page 14



CUSTOMIZED

COLUMN TYPE:

- Electrical
- Mechanical
- Fixed height

REVOLVING TYPE:

- Electrical
- Mechanical
- No turning

OPTIONS

- Mechanical deck rail
- Electrical deck rail
- Communication system/microphone
- PC-Box
- Joystick holder
- Trackball holder
- Keyboard pad
- Switch panel
- Other options on request



Product Code Individual

Subject to change without prior notice · Pictures may show optional equipment

NAUTIC STAR CREW



The strong Allrounder

PROFILE The *Nautic STAR CREW* is a suspended and certified (12G) modular seat concept originally designed for crew members on offshore supply vessels, wind farm transfer vessels and similar kind of workboats.

The seat offers safe, secure and comfortable seating at any time even in rough conditions.

RECOMMENDED APPLICATION Crew boat, offshore supply vessel, passenger vessel.



SERIAL FEATURES

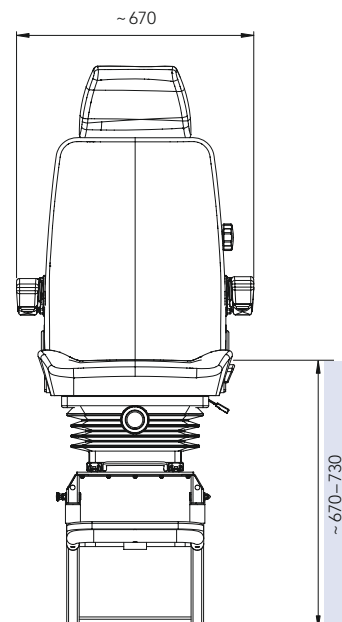
- Mechanical suspension
- Weight adjustment
- Adjustable headrest
- Foldable armrests
- Adjustable backrest

OPTIONS

- Turnable
- Seatbelt
- Footrest
- Other box sizes available on request
- Logo Stitch
- Custom upholstery – see page 29

NEW: BENCH-SEAT

The seats can be mounted in a row configuration on just one light weight aluminium base (up to six seats in a row are possible). Mounted like passenger seats, but offering the comfort of a highly functional operator seat.



Product Code Individual

Subject to change without prior notice · Pictures may show optional equipment

UPHOLSTERY

DESIGN Our own upholstery division and design department enable us to realize an optimum combination of reliable, experienced craftsmanship and materials with excellent shape and look. Therefore, we are always able to satisfy special requests from our customers, such as having an entire chair upholstered with leather (no visible metal parts), which has been carried out for several customers in the yacht building industry. As a matter of course, our standard models also benefit from this professional performance.



COLLECTION

Three ways to customize your chair-system in material and colour:

- From Cleemann's own collection
- As specified by our customers
- As supplied by our customers



Customize your seat with a logo stitch

MATERIAL

We only use proven high-quality materials from leading European manufacturers.

Alcantara™

This material combines softness, elegance and rich colours. Enduring and easy to clean.

Leather

Always a good choice – real leather. Standard colour is black.

Vinyl

High quality vinyl (artificial leather).

Standard colour is black. Any colour/pattern available.

Fabric

Trevira™ – high quality fabric/fire-resistant material (certified).

ACC 1000 (Cleemann's own material)

Heavy-duty material.

Fireproof and vandalism-protected (not cuttable).

DECK RAIL

PROFILE Our famous deck rails – made of a light-weight but strong combination of aluminium and stainless steel – offer a wide range of possibilities to increase the comfort and safety »on deck« of nearly every wheelhouse. They also allow movement of the chair into the desired position while seated.

Usable in combination with all Cleemann seats!



SERIAL FEATURES

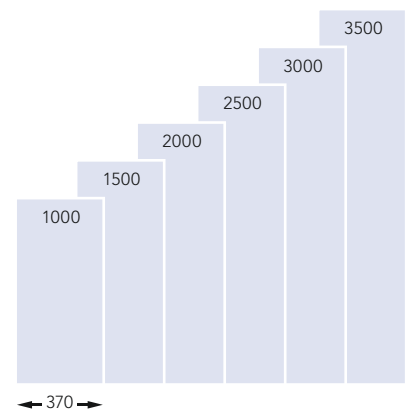
- Mounting height of only 36 mm
- Special sliding system for smooth and fast moving
- Closed ends for easy mounting
- Available in lengths from 500 – 15000 mm and more

OPTIONS

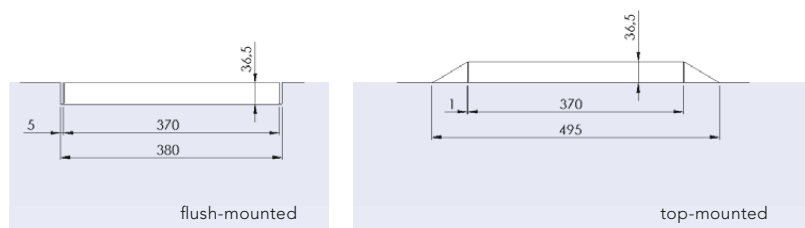
- Electrical version 12V/24V (mounting height 90 mm)
- Cable tray/energy chain
- Anti-slip surface
- Curved version

STANDARD LENGTHS

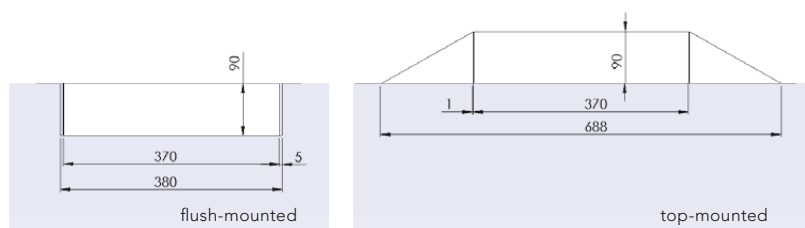
Other lengths available on request.



MECHANICALLY OPERATED DECK RAIL



ELECTRICALLY OPERATED DECK RAIL





ADVANTAGES OF A CLEEMANN DECK RAIL

- ✓ Low weight
- ✓ Easy to install
- ✓ Compact mounting height
- ✓ Heavy duty ball bearing system
- ✓ Comfortable control of the rail from sitting position
- ✓ Available in lengths up to 15 m and more



CLEEMANN
CHAIR-SYSTEMS

Cleemann Chair-Systems GmbH

Auf den Trohnen 6 · 59469 Ense · Germany

Tel. +49 2938 98769-0 · info@chair-systems.com

WWW.CHAIR-SYSTEMS.COM