

# Type 41 Gate Valve

AXON's Type 41 Gate Valve offers bi-directional sealing and utilizes a non-rising stem, making it ideally suited for drilling manifold and production operations. Precise manufacturing controls are employed to achieve reliability and performance. This gate valve is available for operating pressures up to 20,000 PSI, which meets all API 6A PSL levels. Moreover, the AXON Type 41 can be equipped with hydraulic actuators for manifold or subsea service.



## FEATURES / BENEFITS

Figure 1

- Upstream internal pressure equalizes the Body cavity pressure and pushes the floating Gate against the opposite side of the valve
- Metal to metal seals form between the Gate, Seat Ring, Body Bushing, and Body Interfaces

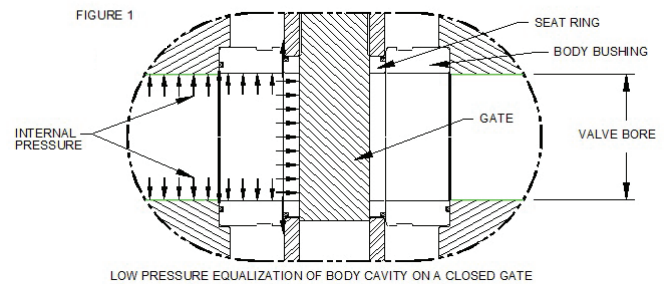
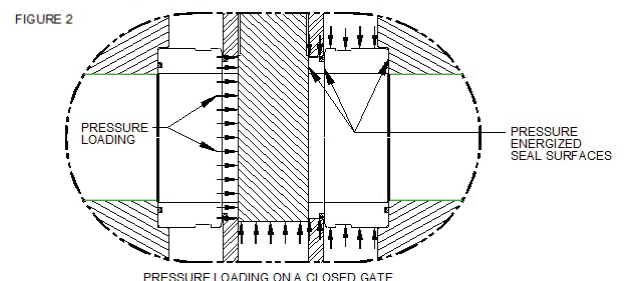


Figure 2

- Large area acted on by the pressure, generating significant sealing pressure (3-4 times the initial pressure applied) on the seal surfaces
- Body cavity equalization occurs across the Seat Ring to Body Bushing interfaces; easily replaceable in the oilfield



# Type 41 Gate Valve

## SPECIFICATIONS

### API 3,000 PSI W.P. (6,000 PSI Test)

Nom. Bore Size	API Ring Joint	A	B	C	D	E	F	G	H	J	Wt.Lbs. (Man.)	Wt.Lbs. (Hyd.)
2-1/16"	R-24	14.62	5.62	6.75	13.00	18.88	14.00	14.25	34.25	28.38	180	275
2-9/16"	R-27	16.62	6.50	7.62	13.81	19.68	14.00	15.94	37.12	31.25	250	350
3-1/8"	R-31	17.12	7.38	7.50	16.81	22.68	14.00	17.25	41.38	35.50	280	400
4-1/16"	R-37	20.12	9.12	10.50	18.44	24.31	18.00	19.75	45.88	40.00	450	550
6-1/8"	R-45	24.12	12.75	12.75	22.75	28.62	24.00	25.88	59.18	53.31	910	1100

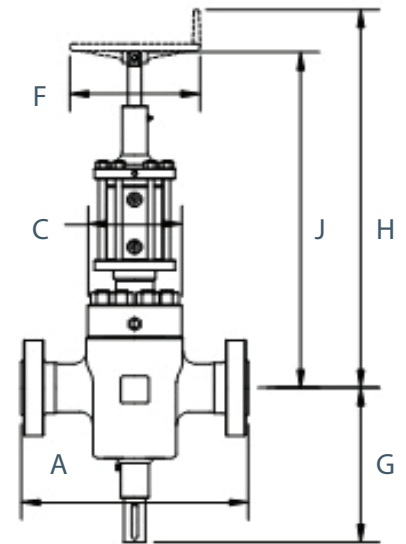
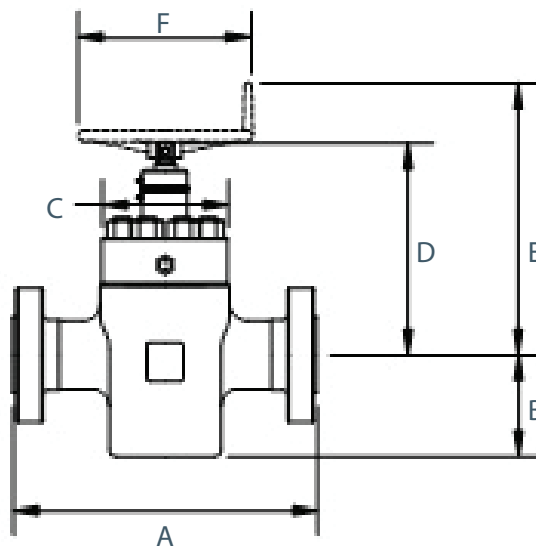
### API 5,000 PSI W.P. (7,500 PSI Test)

Nom. Bore Size	API Ring Joint	A	B	C	D	E	F	G	H	J	Wt.Lbs. (Man.)	Wt.Lbs. (Hyd.)
2-1/16"	R-24	14.62	5.62	7.00	15.12	21.00	14.00	14.25	36.38	30.50	180	280
2-9/16"	R-27	16.62	6.50	8.18	15.94	21.81	14.00	15.94	38.88	33.00	255	360
3-1/8"	R-35	18.62	7.38	9.25	16.81	22.68	18.00	17.25	41.38	35.50	360	430
4-1/16"	R-39	21.62	9.12	10.81	18.44	24.31	18.00	19.75	45.88	40.00	545	650
6-1/8"	R-46	29.00	12.75	14.12	22.75	28.62	24.00	25.88	59.18	53.31	1090	1490

### API 10,000 PSI W.P. (15,000 PSI Test)

Nom. Bore Size	API Ring Joint	A	B	C	D	E	F	G	H	J	Wt.Lbs. (Man.)	Wt.Lbs. (Hyd.)
1-13/16"	BX-151	18.25	5.75	9.06	15.12	21.00	14.00	14.38	36.38	30.50	270	330
2-1/16"	BX-152	20.50	5.88	9.38	15.12	21.00	14.00	14.50	36.38	30.50	275	370
2-9/16"	BX-153	22.25	6.81	9.81	15.81	21.68	18.00	15.94	38.88	33.00	485	555
3-1/16"	BX-154	24.38	8.06	10.25	16.88	22.75	18.00	17.25	42.75	36.88	680	750
4-1/16"	BX-155	26.38	10.06	12.81	19.68	25.56	24.00	19.75	49.88	44.00	1060	1170
7-1/16"	BX-156	35.00	16.50	17.12	27.38	33.25	30.00	32.00	68.50	64.38	3800	4200

### Type 41 Diagram



+AXON reserves the right to modify specifications without notice. rev2014.12.18