

Shore Riders Pony Club

Show Jumping Jump Types- Match Game

Teacher Copy/Match game

Match Game – print the following pages on white or yellow card/cover stock paper. Cut along lines to end up with a stack of cards for jump descriptions and a stack of pictures.

A> Give the member each stack of cards and have them match the descriptions to the picture.

Or

B> Or lay out the pictures cards and you call out the name/description of a jump and have the member find the picture.

Answer Key: The last 3 pages (p8-10) have reduced versions of the pictures.

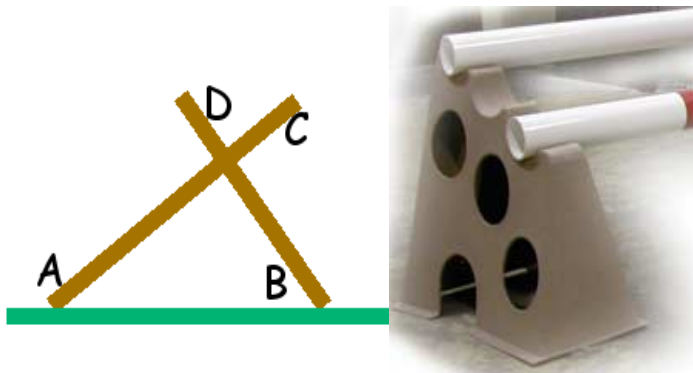
Standards

The sides of the jump holding the poles or planks



Cavaletti

Small jump ends that can be placed at different angles to raise or lower the height of the poles.



Jump cups

Remove unused cups before jumping



Rails/Poles

Can be wood or plastic. Usually 3" in diameter



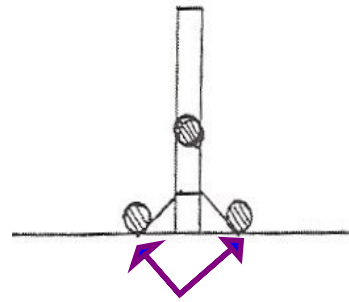
Plank

Wide, Flat rails



Ground line

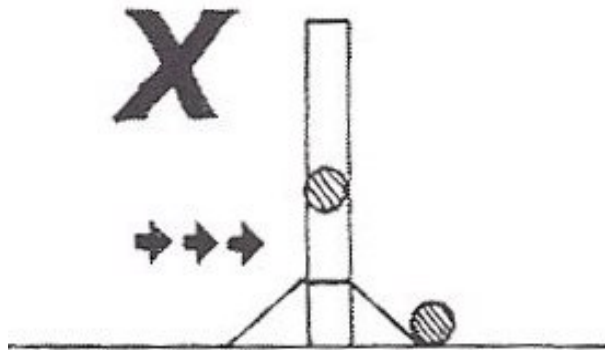
A pole set on the ground before, under, or before AND after a jump.



False line

A ground line placed after the jump
(on landing side).

Very dangerous! Do not jump!



Vertical

Also called "Upright"

Planks or poles with no width
(spread)



Ground pole



Crossrail

Two poles are crossed in the middle. The center is lower than the sides.



Stone wall

A vertical jump made to look like a brick wall, but of lightweight material



Gate

A vertical jump made to look like a gate



Oxer (Ascending)

Two or more verticals placed, and jumped, together. Also called a "spread" The closest pole is the lowest.



Oxer (Descending)

The closest pole is the highest.



Oxer (Swedish)

The poles are slanted in opposite directions to appear like a crossrail from head-on.



Oxer (Parallel)

The top poles are the same height.



Oxer (Square)

The jump's width and height are the same. Top poles are of equal height. The hardest of all oxers. Not allowed for D rates.



Oxer (Triple Bar)

Three rails instead of two



Fan

Rails on one side are spread out with standards to look like a fan when viewed from above.



Coop

Triangular, widest at bottom. Very common on cross country courses.



Liverpool

The box holding the water is called the "Liverpool". A liverpool can be under any type of oxer or vertical



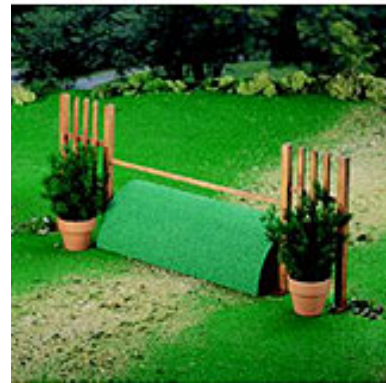
Combination jump

Two or more sets of verticals or oxers.



Rolltop

Used in cross country and stadium. Usually covered with grass and the back half cut off when used in stadium.



Closed Combination

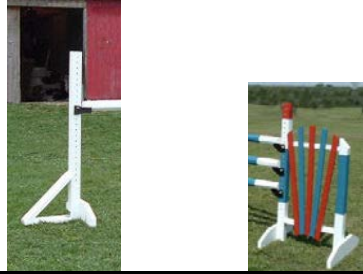
A combination of two or more sets of jumps where the sides are closed in and the only way out is by jumping. Not allowed for Ds.



Teacher Answer Key

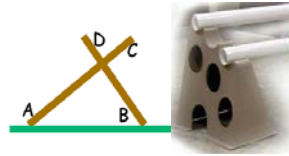
Standards

The sides of the jump holding the poles or planks



Cavaletti

Small jump ends that can be placed at different angles to raise or lower the height of the poles.



Jump cups

Remove unused cups before jumping



Rails/Poles

Can be wood or plastic. Usually 3" in diameter



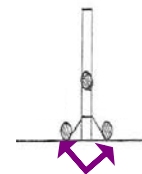
Plank

Wide, Flat rails



Ground line

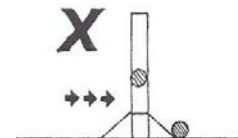
A pole set on the ground before, under, or before AND after a jump.



False line

A ground line placed after the jump (on landing side).

Very dangerous! Do not jump!



Vertical

Also called "Upright"

Planks or poles with no width (spread)



Ground pole



Crossrail

Two poles are crossed in the middle. The center is lower than the sides.



Stone wall

A vertical jump made to look like a brick wall, but of lightweight material



Gate

A vertical jump made to look like a gate



Oxer

(Ascending)

Two or more verticals placed, and jumped, together. Also called a "spread" The closest pole is the lowest.



Oxer

(Descending)

The closest pole is the highest.



Oxer

(Swedish)

The poles are slanted in opposite directions to appear like a crossrail from head-on.



Oxer

(Parallel)

The top poles are the same height.



Oxer
(Square)

The jump's width and height are the same. Top poles are of equal height. The hardest of all oxers. Not allowed for D rates.



Oxer
(Triple Bar)

Three rails instead of two



Fan

Rails on one side are spread out with standards to look like a fan when viewed from above.



Coop

Triangular, widest at bottom. Very common on cross country courses.



Liverpool

The box holding the water is called the "Liverpool". A liverpool can be under any type of oxer or vertical



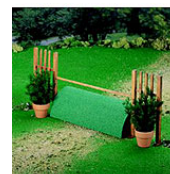
Combination jump

Two or more sets of verticals or oxers.



Rolltop

Used in cross country and stadium. Usually covered with grass and the back half cut off when used in stadium.



Closed
Combination

A combination of two or more sets of jumps where the sides are closed in and the only way out is by jumping. Not allowed for Ds.

