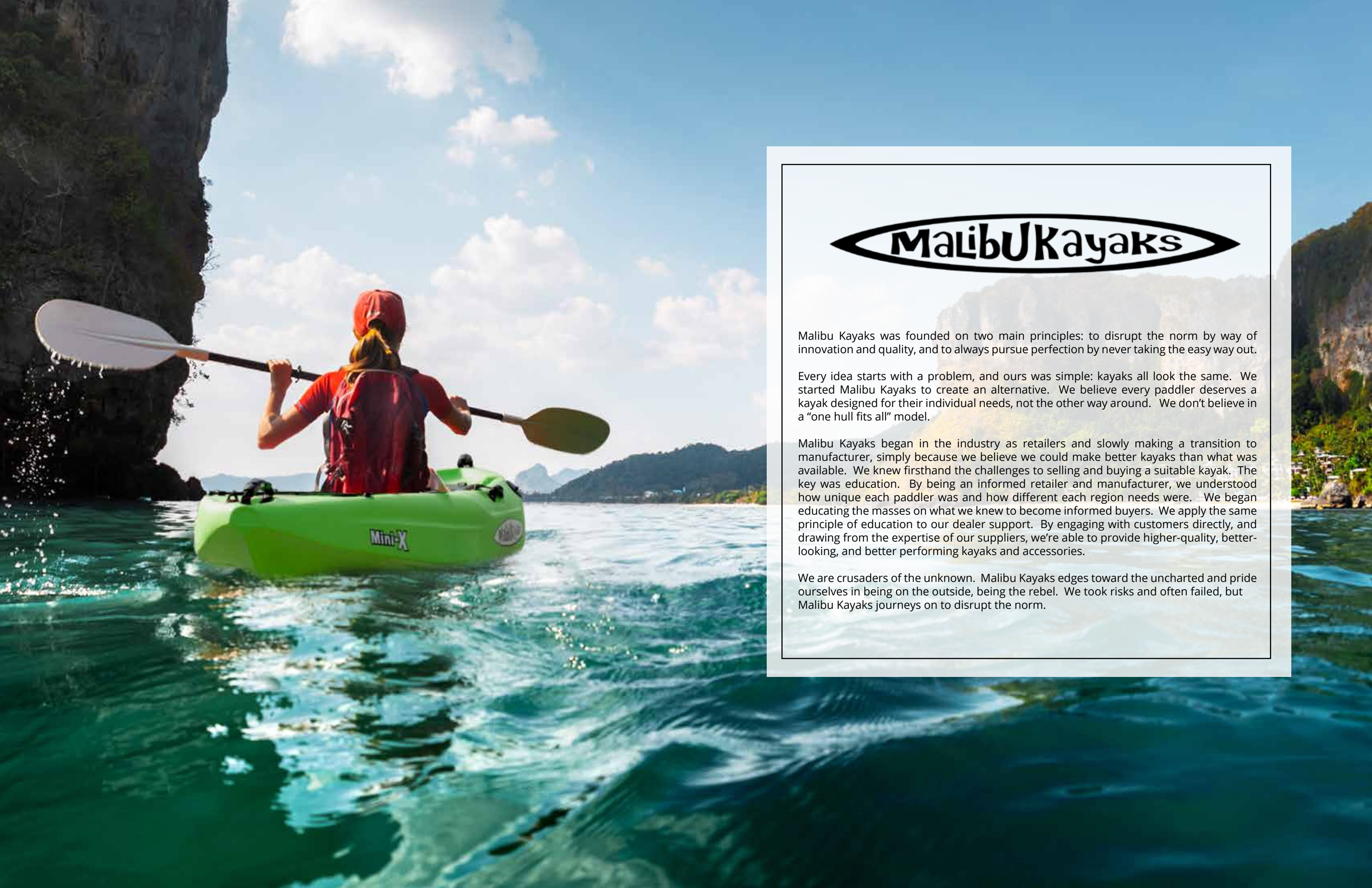




2019 CATALOG



MADE IN CALIFORNIA



Malibu Kayaks

Malibu Kayaks was founded on two main principles: to disrupt the norm by way of innovation and quality, and to always pursue perfection by never taking the easy way out.

Every idea starts with a problem, and ours was simple: kayaks all look the same. We started Malibu Kayaks to create an alternative. We believe every paddler deserves a kayak designed for their individual needs, not the other way around. We don't believe in a "one hull fits all" model.

Malibu Kayaks began in the industry as retailers and slowly making a transition to manufacturer, simply because we believe we could make better kayaks than what was available. We knew firsthand the challenges to selling and buying a suitable kayak. The key was education. By being an informed retailer and manufacturer, we understood how unique each paddler was and how different each region needs were. We began educating the masses on what we knew to become informed buyers. We apply the same principle of education to our dealer support. By engaging with customers directly, and drawing from the expertise of our suppliers, we're able to provide higher-quality, better-looking, and better performing kayaks and accessories.

We are crusaders of the unknown. Malibu Kayaks edges toward the uncharted and pride ourselves in being on the outside, being the rebel. We took risks and often failed, but Malibu Kayaks journeys on to disrupt the norm.



XPLOR

WARRANTY INFORMATION

LIMITED LIFETIME WARRANTY

Malibu Kayaks warrants as a limited lifetime warranty*, each kayak purchased is to be free of manufacturing defects in workmanship and materials from the original date of receipt. This warranty is effective upon shipment to an authorized dealer or end user, not to include freight damage (see policy for more info) and only applies to the original owner. If you or your customer have a customer service or warranty request, please submit a claim to <https://malibukayaks.com/support/warranty/> and a representative will respond within 3 business days. Your claim ticket should include a description of the claim, photos, receipt of original purchase, and the kayak KPO (serial number).

*NOTE THAT PRODUCT SHOULD NOT BE SHIPPED TO MALIBU KAYAKS FOR WARRANTY OR REPAIR WITHOUT PRIOR AUTHORIZATION

THIS WARRANTY DOES NOT COVER THE FOLLOWING

- Normal wear and tear or as a result of abuse or failure to maintain kayak.
- Discoloration due to excessive sun exposure.
- Damage caused by alterations, modifications, storage or mooring to kayak.
- Transportation of kayaks; significant or incidental damage to kayak and/or personal property.
- Damage due to failure of following procedures and instructions provided.
- Kayaks purchased from an unauthorized dealer or consumer resale.
- Factory 2nds (Kayaks purchased as a blem).

CONSUMER WARRANTY

Kayak Hull

- Year 2 (up to 24 months): 100% of MSRP (shipping charges as below.)
 - Flat rate: \$100 - ship only to commercial address or carrier terminal hub.
 - At cost - ship to consumer's house directly.
- Year 3 (up to 36 months): 50% of MSRP (shipping charges will apply at cost).
- Year 4 (up to 48 months): 40% of MSRP (shipping charges will apply at cost).
- Year 5 & more: 30% of MSRP (shipping charges will apply at cost).

Standard Gear on Kayak

- Year 1 (up to 12 months): 100% coverage on replacement with free shipping.

Accessories

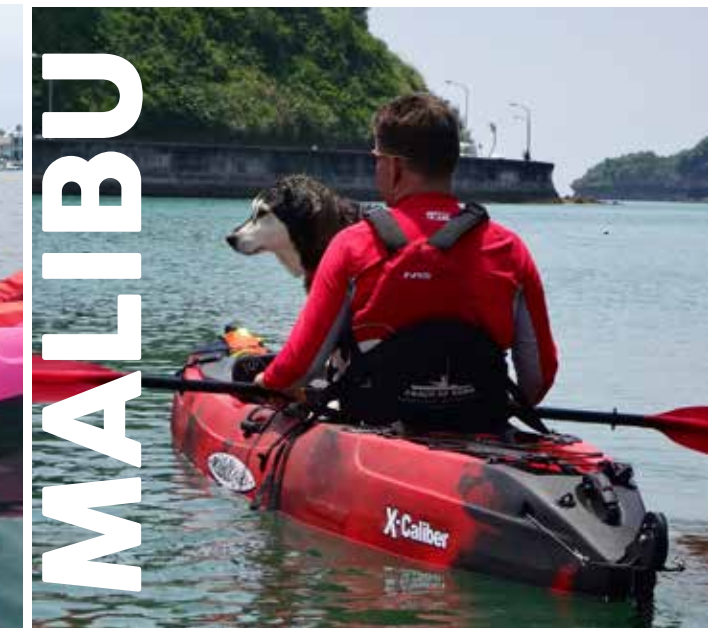
- Year 1 (up to 12 months): 100% coverage on replacement with free shipping.

REPAIRS

\$75 per hour for repair service unless otherwise approved, does not include the cost of parts. Product should not be shipped to any authorized repair center without prior authorization. Due to production schedules, lead time may vary, and will be discussed upon scheduling. Contact your account representative for more information about warranty coverage and repairs.



MALIBU



MALIBU



MALIBU



MALIBU



MALIBU



MALIBU

THE HISTORY OF



1999

Malibu Kayaks Opens

Malibu Kayaks begins at a store by the beach in Malibu, CA. As a retailer we understand the needs of our kayakers and believed we could build better kayaks than anybody else.

2004

Malibu Kayaks Expands

With the growth in popularity of Malibu Kayaks, we expanded our production to Paramount, CA.

2006

Innovations

Malibu Kayaks patents our signature Gator Hatch and Center Bait Tank System. Becoming one of the first to offer a built in bait system into the kayak.

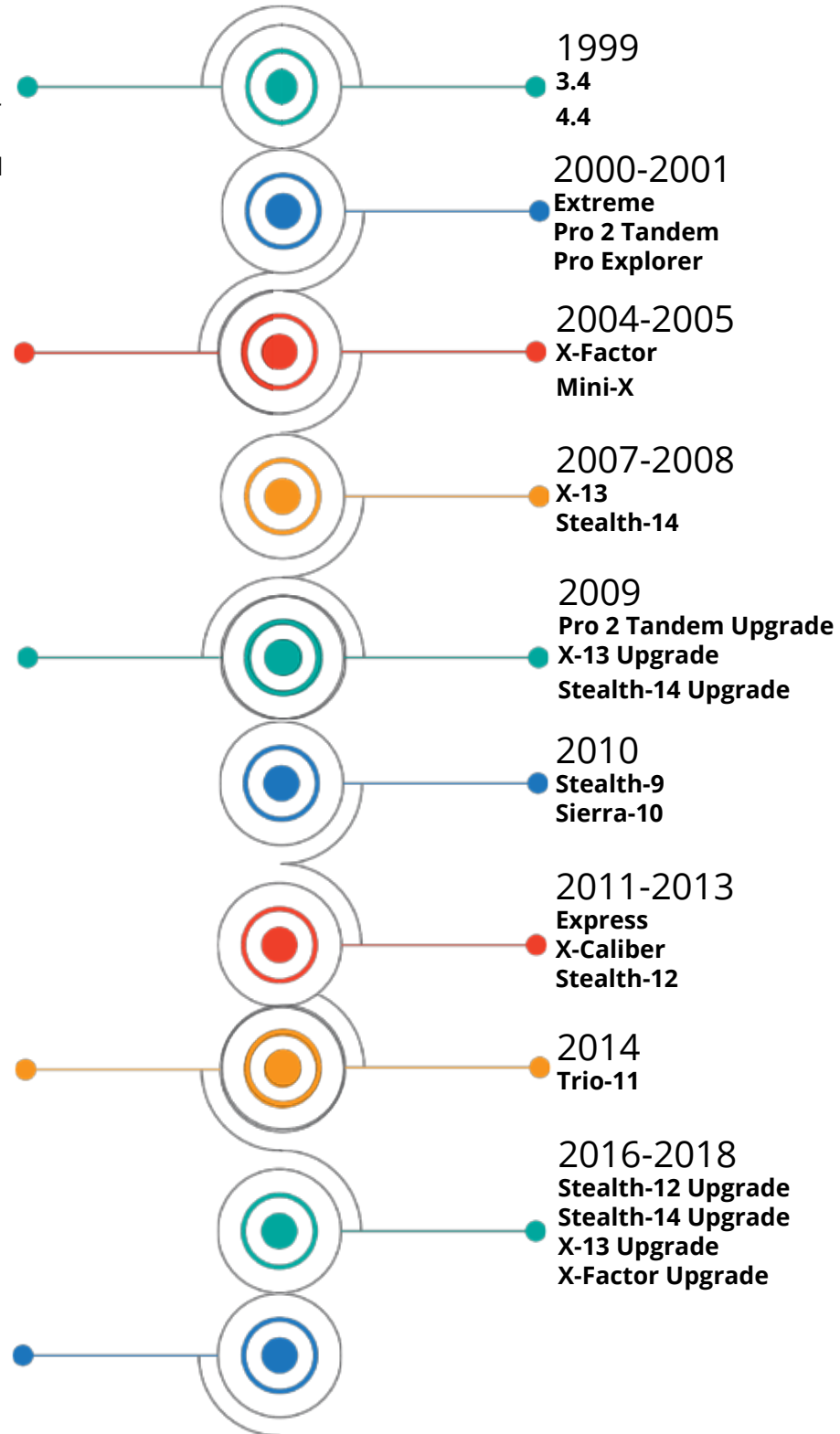
2016-2017

Gator Hatch v.3 & X-Seat

With our continued effort to bring the very best to kayaking, Malibu Kayaks improves upon our patented design, while bringing the highly anticipated X-Seat. The X-Seat blows out expectation with comfortability and usability.

2019

20 Years of Malibu Kayaks



CENTER BAIT TANK SYSTEM

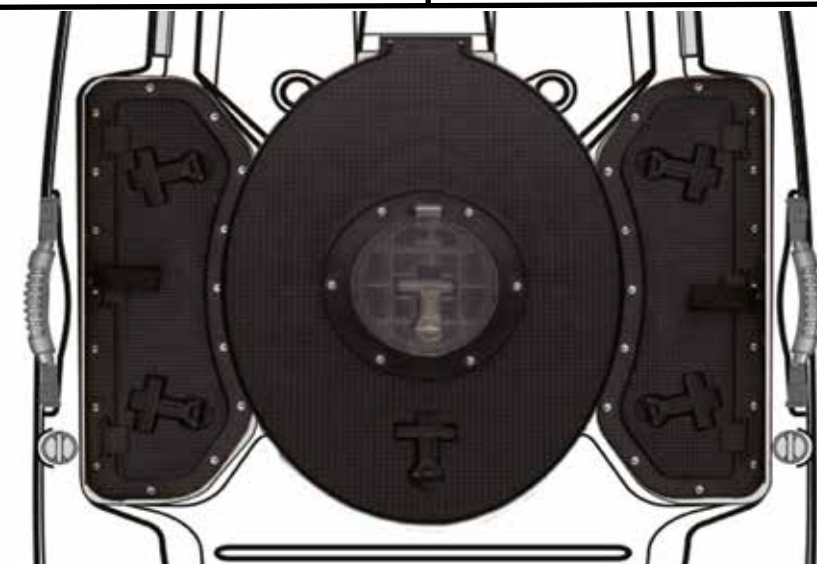
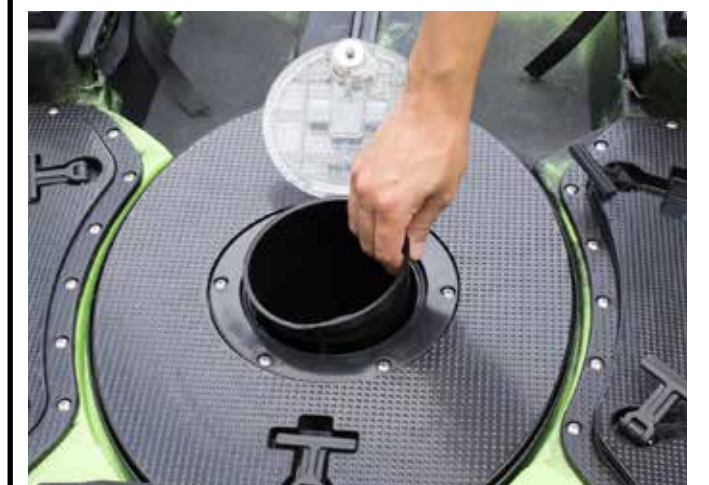
Malibu Kayaks Stealth series always have been the leader in fishing kayaks that comes with a patented Center Bait Tank. Now the newly redesigned Center Bait Tank is a must have for any angler. The Center Bait Tank System now comes with a larger bait hatch access. We got rid of the screw in cap and put in a latch for quick and easy access. We improved the drainage system to allow for easier install for an optional pump kit. The hatch now comes with a secure frame for more stability.



DRAIN PLUG



REMOVABLE BUCKET



GATOR HATCH V.3

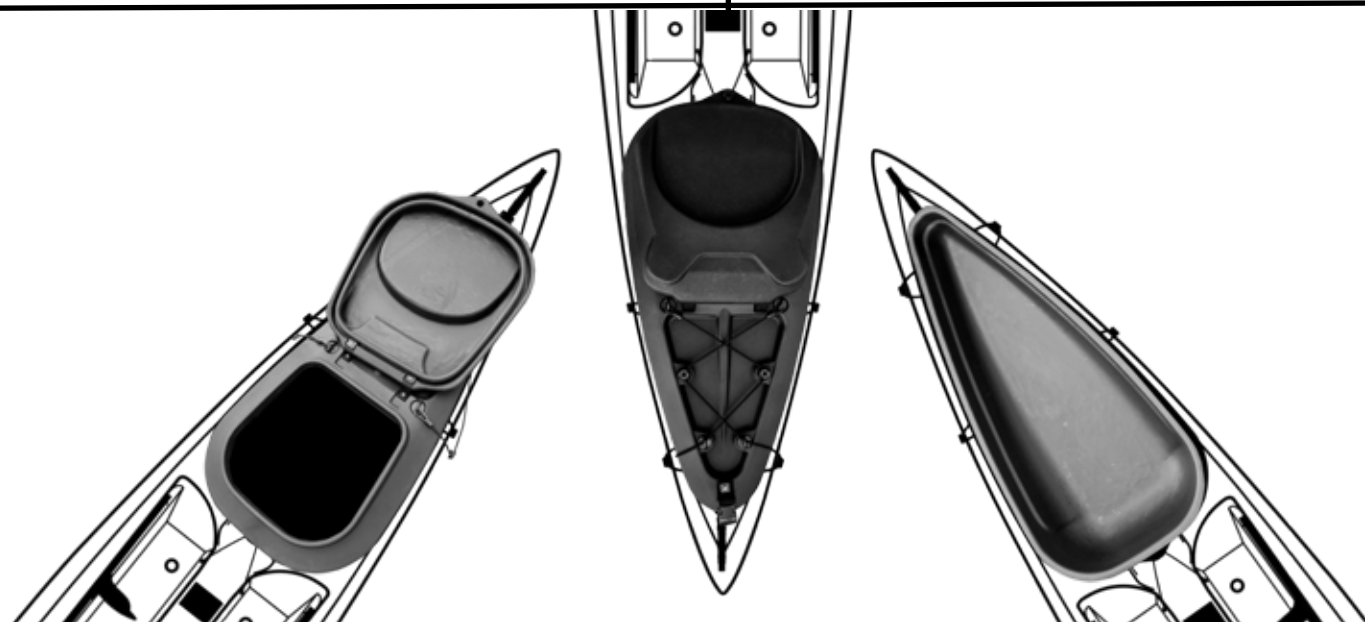
The new Gator Hatch comes with a spacious compartment to store equipment and your catch of the day. You can also simply lift the tray to access the kayak hull for even larger storage area.



OPEN LID



HULL ACCESS



X-SEAT

The X-Seat transitions easily into over 4 different positions, providing up to an additional 24 inches in height. Both the bottom and back rest provide a full range of motion, and can be folded up completely, allowing standing room and access to the included casting post. The interlocking design allows the user safety and stability when on the water, while still being able to remove the seat in seconds, for use as a beach or camp chair.



CASTING POST



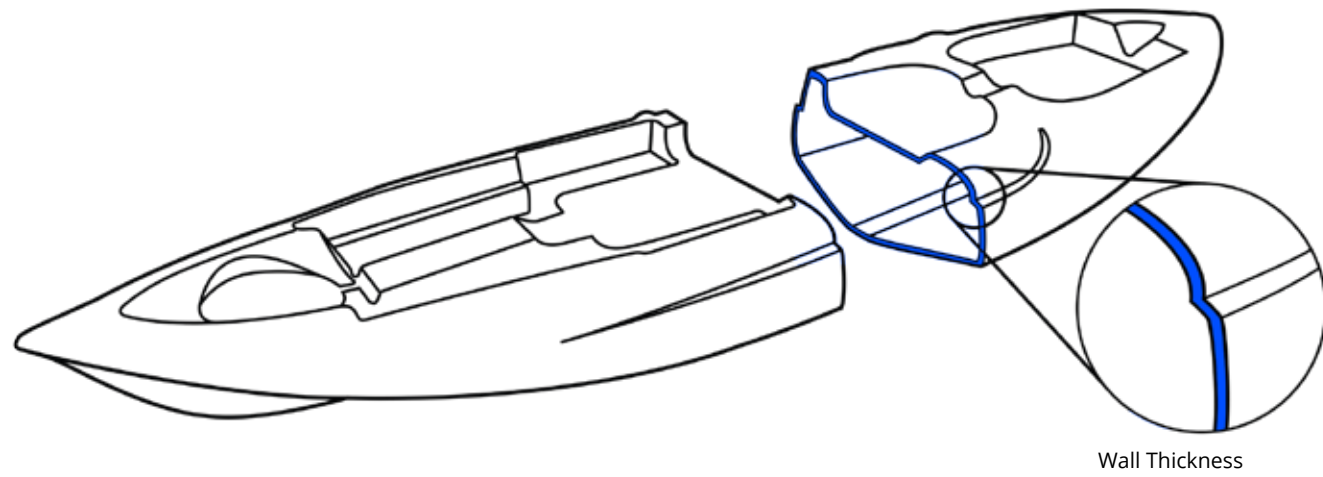
180° BACK ADJUSTMENT



HIGH VANTAGE SEATING

QUALITY MANUFACTURING

We produce our kayaks with a high quality polyethylene resin with the highest UV protection available.

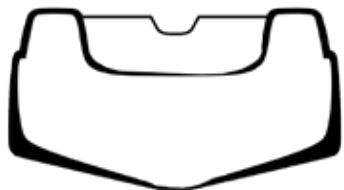


Here are the three common methods of molding plastic kayaks. The kayak hull exterior look very similar but the cross section of each kayak interior are different due to their molding method.



BLOW MOLDED

Blow molded method is the most inexpensive form of production, but has the poorest performance properties. Beware of the finish and thickness of material that may be thin where you really need it to be thick, in the corners and on the bottom of the kayak.



THERMO MOLDED

Thermo formed molds the deck and bottom hull separately then heat stamp or melt the two pieces together at the seam. Smooth finished result but an uneven wall density around the kayak hull.



ROTO MOLDED

Roto molded method distribute the material evenly around the kayak hull by turning and cooking the mold of the kayak. The end results is an all around sturdy molded kayak, making it one of the best methods for manufacturers.

2019 COLOR GUIDE

While most kayak manufacturers only offer 2-5 different options for their models, each Malibu Kayak is available in 8 different colors! When setting our average inventory levels, each year we market research to determine which colors will be our biggest sellers.

Availability can always change though, so contact your local retailer for up-to-date inventory!

Standard Color: Each kayak will have a single standard color option. These colors will always be in stock.

Limited Color: For limited colors, the average lead time is 6-8 weeks.

SOLID



Mango



Lime



Red

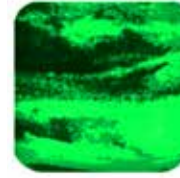


Blue

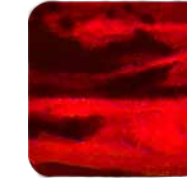
CAMO



Solar Camo



Atomic Camo



Lava Camo



Midnight Camo

Kayak	Standard Color
3.4	Blue
Express	Red
Mini-X	Mango
Pro 2 Tandem	Lime
Sierra-10	Blue
Trio-11	Lime
Stealth-9	Red
Stealth-12	Midnight Camo
Stealth-14	Solar Camo
X-13	Atomic Camo
X-Caliber	Solar Camo
X-Factor	Lava Camo







*Disclaimer: Lead time above is only an estimation and subject to change based on availability, production capacity, and order specifics.

KAYAK GUIDE

RECREATIONAL KAYAKS

3.4		Length	11' 4"
		Width	26"
		Depth	8"
		Weight	36 lbs
		Max Cap.	200 lbs
		Passenger	1
EXPRESS		Length	14' 6"
		Width	27"
		Depth	8"
		Weight	55 lbs
		Max Cap.	240 lbs
		Passenger	1
MINI-X		Length	9' 3"
		Width	33.5"
		Depth	12"
		Weight	40 lbs
		Max Cap.	325 lbs
		Passenger	1
PRO 2 TANDEM		Length	13'
		Width	33"
		Depth	11.5"
		Weight	60 lbs
		Max Cap.	550 lbs
		Passenger	1-2
SIERRA-10		Length	10'
		Width	31"
		Depth	15.25"
		Weight	45 lbs
		Max Cap.	325 lbs
		Passenger	1
TRIO-11		Length	11' 4"
		Width	33"
		Depth	13"
		Weight	48 lbs
		Max Cap.	500 lbs
		Passenger	1-3

FISHING KAYAKS

STEALTH-9		Length	9' 3"
		Width	33.5"
		Depth	12"
		Weight	42 lbs
		Max Cap.	325 lbs
		Passenger	1
STEALTH-12		Length	12' 4"
		Width	33"
		Depth	12"
		Weight	57 lbs
		Max Cap.	450 lbs
		Passenger	1-2
STEALTH-14		Length	14' 4"
		Width	33"
		Depth	12"
		Weight	64 lbs
		Max Cap.	550 lbs
		Passenger	1-2
X-13		Length	13' 10"
		Width	29"
		Depth	11.5"
		Weight	60 lbs
		Max Cap.	450 lbs
		Passenger	1-2
X-CALIBER		Length	12' 6"
		Width	31"
		Depth	12"
		Weight	52 lbs
		Max Cap.	400 lbs
		Passenger	1-2
X-FACTOR		Length	14' 4"
		Width	33"
		Depth	13"
		Weight	64 lbs
		Max Cap.	550 lbs
		Passenger	1

3.4

The 3.4 sleek design defines kayaks that best suit performance surfing with ease of motion. They are the peak in performance giving you the greatest opportunity to surf kayak at your best.

CATEGORIES



Recreational

HIGHLIGHT



Speed



Lightweight

SEATING



SPECIFICATIONS

11' 4"
LENGTH

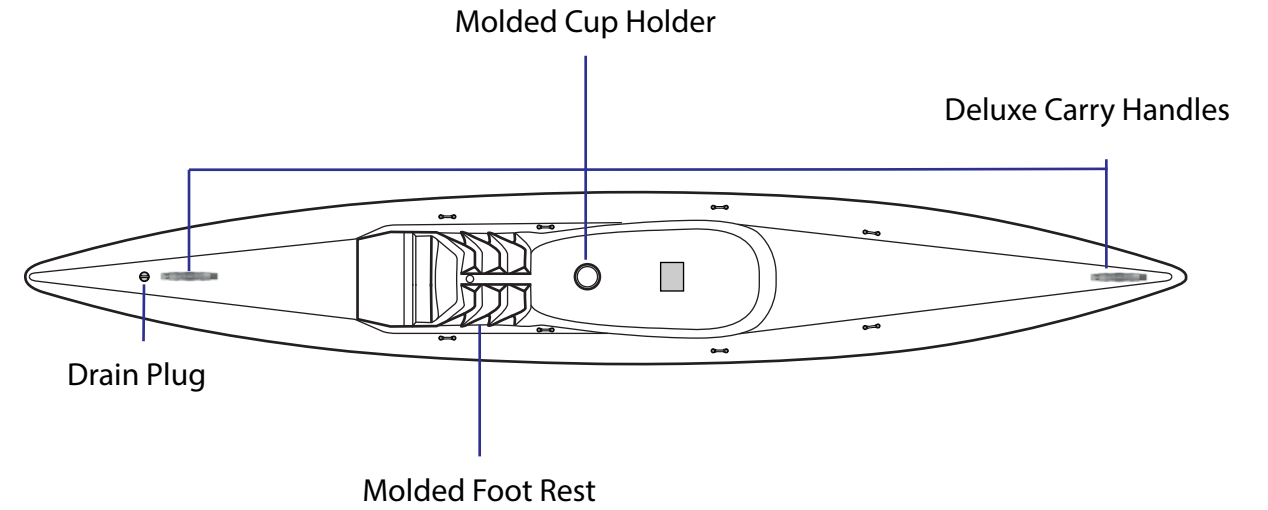
26"
WIDTH

8"
DEPTH

36 lbs
HULL WEIGHT

200 lbs
MAX CAPACITY

3.4 PACKAGES



3.5

STABILITY

5.0

SPEED

4.5

MANEUVERABILITY

2.5

TRACKING

**BEGINNER
INTERMEDIATE**

SKILL LEVEL

**COASTAL
CALM**

IDEAL ENVIRONMENT

**SURFING
RECREATIONAL**

ACTIVITY

**KIDS
SURFERS**

PERFECT FOR

EXPRESS

Crash through the waves and fly to your favorite fishing spot. Built with aerodynamic crisp lines and lightweight polyethylene, the Express combines speed for kayak surfing and stability for fishing.

CATEGORIES



Recreational

HIGHLIGHT



Speed

SEATING



SPECIFICATIONS

14' 6"
LENGTH

27"
WIDTH

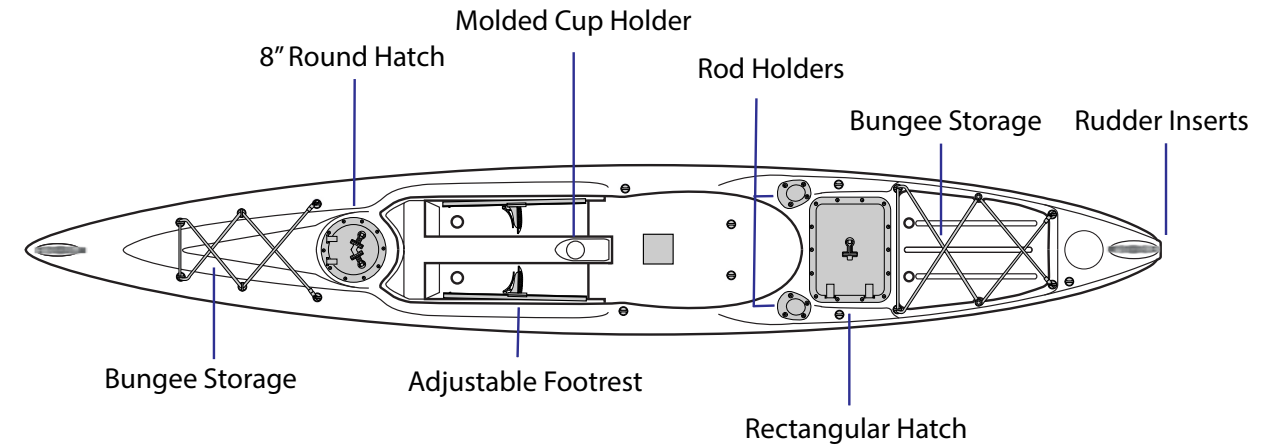
8"
DEPTH

55 lbs
HULL WEIGHT

240 lbs
MAX CAPACITY



EXPRESS PACKAGES



3.5

STABILITY

5.0

SPEED

INTERMEDIATE

SKILL LEVEL

RECREATIONAL SUP

ACTIVITY

4.5

MANEUVERABILITY

2.5

TRACKING

COASTAL LAKES

IDEAL ENVIRONMENT

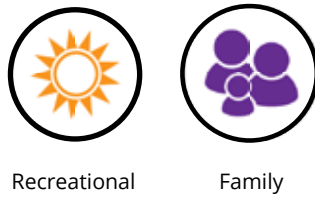
KIDS ADULTS

PERFECT FOR

MINI-X

Mini-X embodies the versatility and sophistication to be the top performing all around sit-on-top kayak. Venture out to bumpy rough waters to tackle your favorite fishing spot and paddle to the soothing lakeside all in one day.

CATEGORIES



Recreational Family

HIGHLIGHT



Lightweight Standing Platform

SEATING

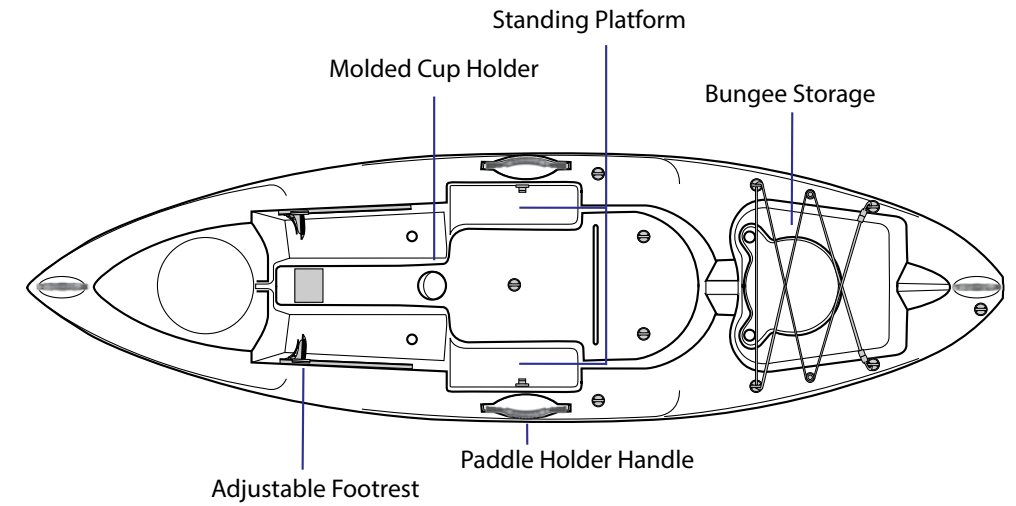


SPECIFICATIONS

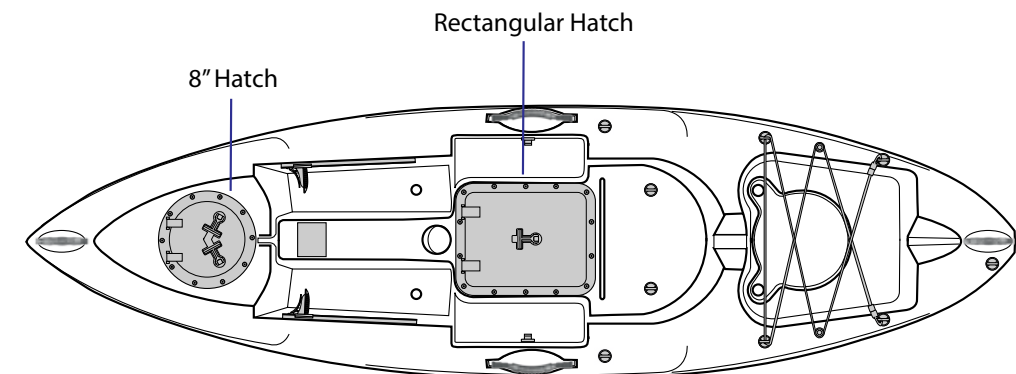
9' 3"	33.5"	12"	40 lbs	325 lbs
LENGTH	WIDTH	DEPTH	HULL WEIGHT	MAX CAPACITY

MINI-X PACKAGES

STANDARD



RECREATIONAL



4.5	3.0	ALL	ALL
STABILITY	SPEED	SKILL LEVEL	ACTIVITY
4.0	4.0	ANY	EVERYONE
MANEUVERABILITY	TRACKING	IDEAL ENVIRONMENT	PERFECT FOR

PRO 2 TANDEM

Pro 2 Tandem, the ultimate two seater kayak, designed for twice the fun. Fall in love exploring the magnificent landscape of the stunning ocean and dazzling lakes.

CATEGORIES



Family

HIGHLIGHT



Extra Seating

SEATING



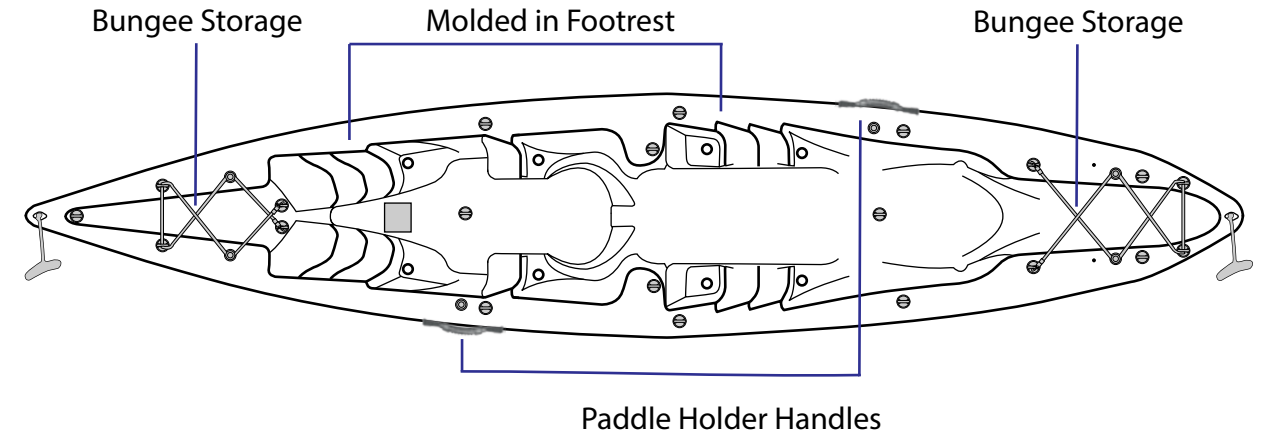
SPECIFICATIONS

13'	33"	11.5"	60 lbs	550 lbs
LENGTH	WIDTH	DEPTH	HULL WEIGHT	MAX CAPACITY

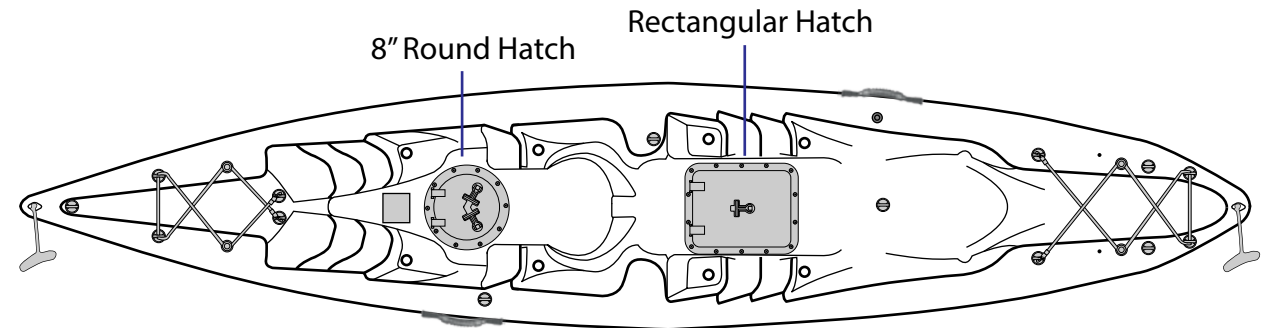


PRO 2 TANDEM PACKAGES

STANDARD



RECREATIONAL



4.0

STABILITY

3.0

SPEED

BEGINNER to INTERMEDIATE

SKILL LEVEL

ALL

ACTIVITY

3.0

MANEUVERABILITY

4.0

TRACKING

CALM

IDEAL ENVIRONMENT

COUPLES FAMILY

PERFECT FOR

SIERRA 10

Stay dry and warm all season long in the rugged Sierra-10. Our heavy duty sit-in kayak represents the spirit of traditional kayaking.



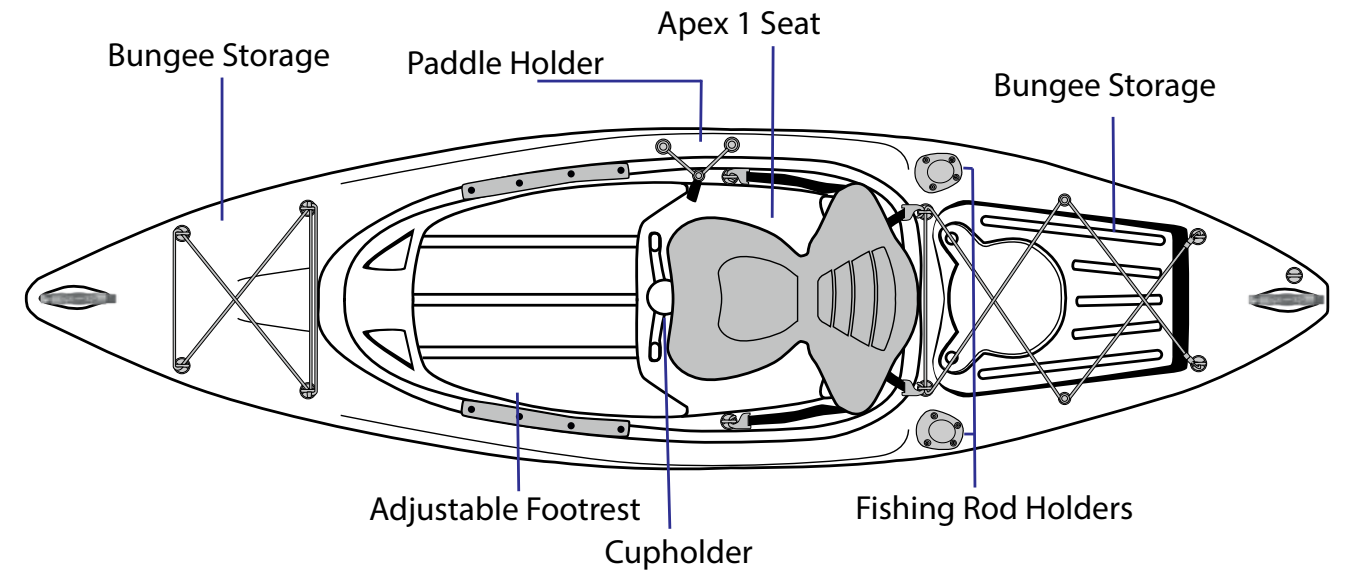
SEATING



SPECIFICATIONS

10'	31"	15.25"	45 lbs	325 lbs
LENGTH	WIDTH	DEPTH	HULL WEIGHT	MAX CAPACITY

SIERRA 10 PACKAGE



4.5

STABILITY

3.0

SPEED

**BEGINNER
to
INTERMEDIATE**

SKILL LEVEL

**RECREATIONAL
FISHING**

ACTIVITY

3.5

MANEUVERABILITY

4.0

TRACKING

CALM

IDEAL ENVIRONMENT

ADULTS

PERFECT FOR

STEALTH-9

The precision and modest design packaged into the durable Stealth-9 fishing kayak, the smallest in our patented Stealth Series. Sized for mobility for the nimble angler without losing the stability.

CATEGORIES

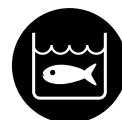


Fishing

HIGHLIGHT



Standing Platform



Live Bait Tank



Fish Finder

SEATING



SPECIFICATIONS

9' 3"
LENGTH

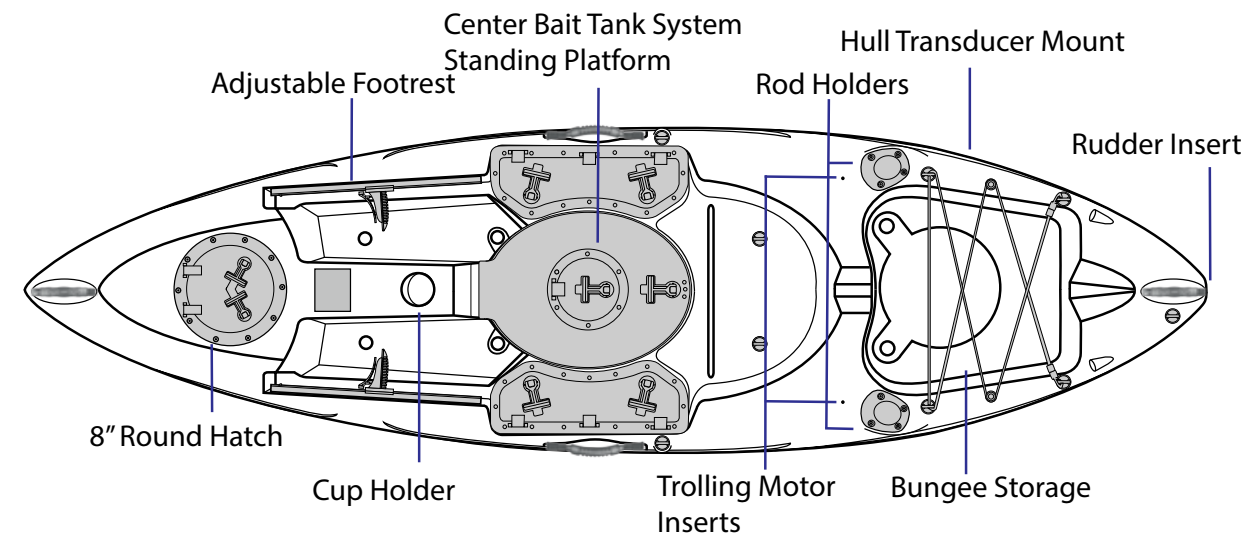
33.5"
WIDTH

12"
DEPTH

42 lbs
HULL WEIGHT

325 lbs
MAX CAPACITY

STEALTH-9 PACKAGE



4.5

STABILITY

3.0

SPEED

INTERMEDIATE

SKILL LEVEL

FISHING
HUNTING
RECREATIONAL

ACTIVITY

4.0

MANEUVERABILITY

4.0

TRACKING

ALL

IDEAL ENVIRONMENT

ADULTS

PERFECT FOR

STEALTH-12

The Stealth-12 steps up as the well-balanced fishing machine to tackle the fearsome waters. Mid-sized option in our patented Stealth Series comes fully equipped with a Gator Hatch and 3-hatch Center Bait Tank System.

CATEGORIES



Fishing

HIGHLIGHT



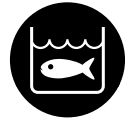
Extra Storage



Fish Finder



X-Seat



Live Bait Tank



Standing Platform

SEATING



SPECIFICATIONS

12' 4"
LENGTH

33"
WIDTH

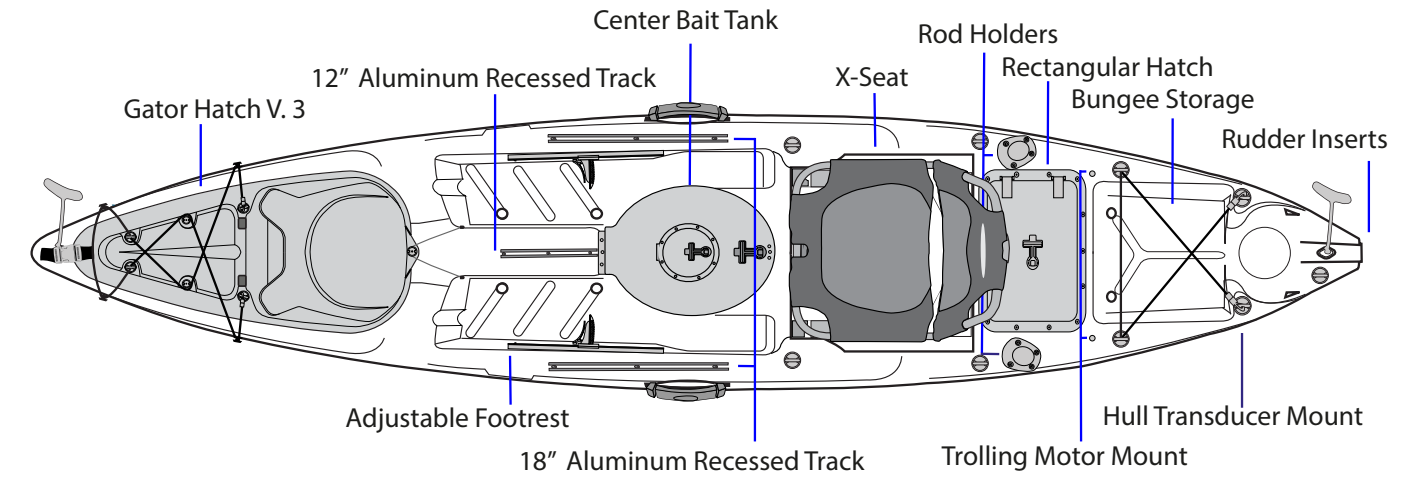
12"
DEPTH

57 lbs
HULL WEIGHT

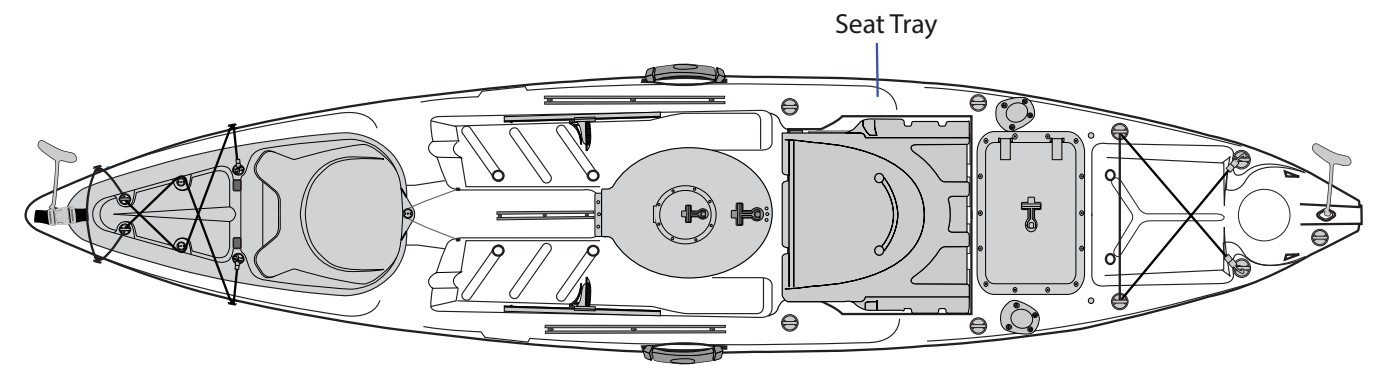
450 lbs
MAX CAPACITY

STEALTH-12 PACKAGES

X-SEAT



SEAT TRAY



4.5

STABILITY

3.0

SPEED

INTERMEDIATE
to
ADVANCED

SKILL LEVEL

FISHING

ACTIVITY

3.5

MANEUVERABILITY

4.0

TRACKING

ALL

IDEAL ENVIRONMENT

ADULTS

PERFECT FOR

STEALTH-14

The top of the line Stealth series, the Stealth-14, our popular fishing kayak with our patented Gator Hatch, 3-Piece Center Bait Tank System, and the revolutionary X-Seat. A must for the discerning angler who demands everything.

CATEGORIES



Fishing

HIGHLIGHT



Extra Storage



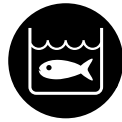
Fish Finder



X-Seat



Standing Platform



Live Bait Tank

SEATING



SPECIFICATIONS

14' 4"
LENGTH

33"
WIDTH

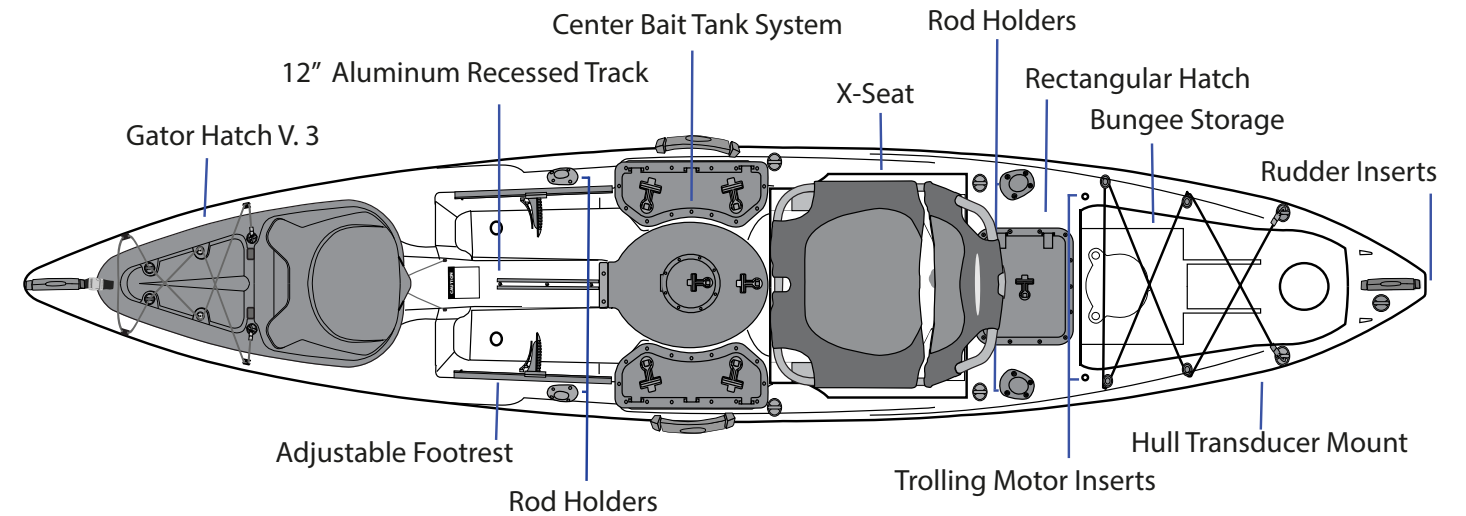
12"
DEPTH

64 lbs
HULL WEIGHT

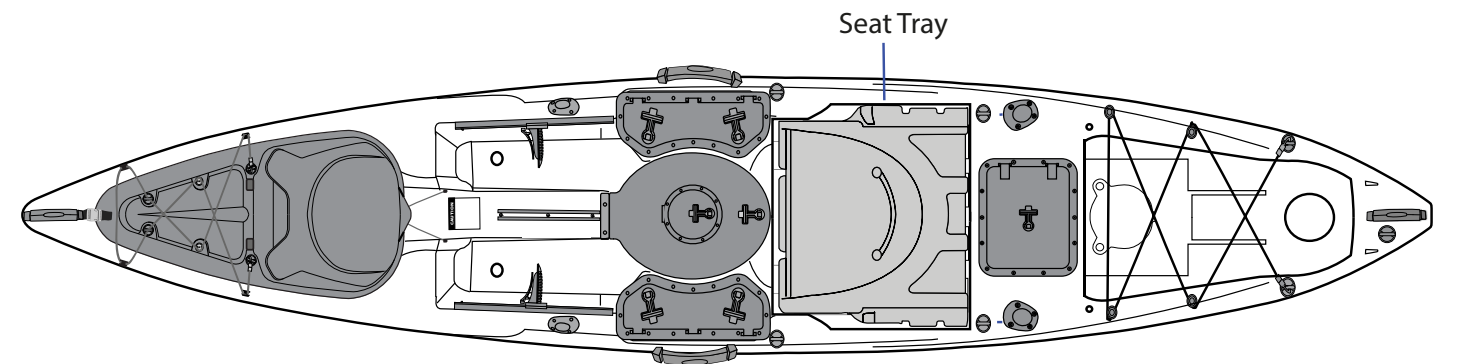
550 lbs
MAX CAPACITY

STEALTH-14 PACKAGES

X-SEAT



SEAT TRAY



5.0

STABILITY

2.0

SPEED

INTERMEDIATE
to
ADVANCED

SKILL LEVEL

FISHING

ACTIVITY

2.5

MANEUVERABILITY

4.5

TRACKING

ALL

IDEAL ENVIRONMENT

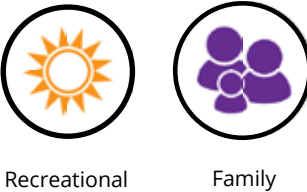
ADULTS

PERFECT FOR

TRIO-11

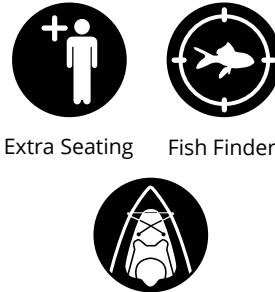
Boasting a max capacity of 500 lbs, the first of its kind Trio-11 allows for 3 passengers with stable tracking throughout the hull. Whether you want to teach the kids how to fish or just get them out of the house, it has never been more affordable for the whole family to participate in an activity with endless possibilities

CATEGORIES



Recreational Family

HIGHLIGHT



Extra Seating Fish Finder Extra Storage

SEATING

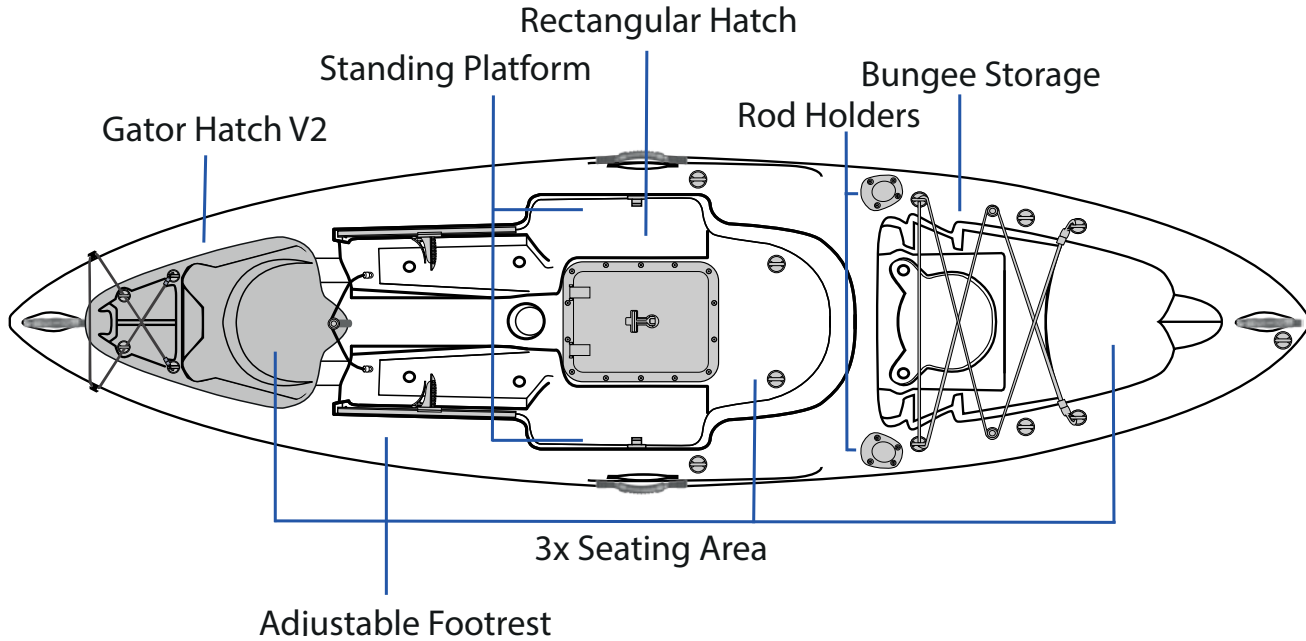


SPECIFICATIONS

11' 4" LENGTH | 33" WIDTH | 13" DEPTH | 48 lbs HULL WEIGHT | 500 lbs MAX CAPACITY



TRIO-11 PACKAGES



5.0 STABILITY	2.5 SPEED	ALL SKILL LEVEL	KAYAKING HUNTING FISHING ACTIVITY
3.5 MANEUVERABILITY	3.0 TRACKING	ANY IDEAL ENVIRONMENT	FAMILY ADULT PERFECT FOR

X-13

Treat the X-13, a sensitive, gritty coastal kayak, with care and explore worlds unknown. A popular model among spear fishermen and divers, the X-13 comes with phenomenal storage and stability, not to be outdone by its speed.

CATEGORIES



Fishing



Diving

HIGHLIGHT



Extra Storage



Fish Finder



Standing Platform

SEATING



SPECIFICATIONS

13' 10"
LENGTH

29"
WIDTH

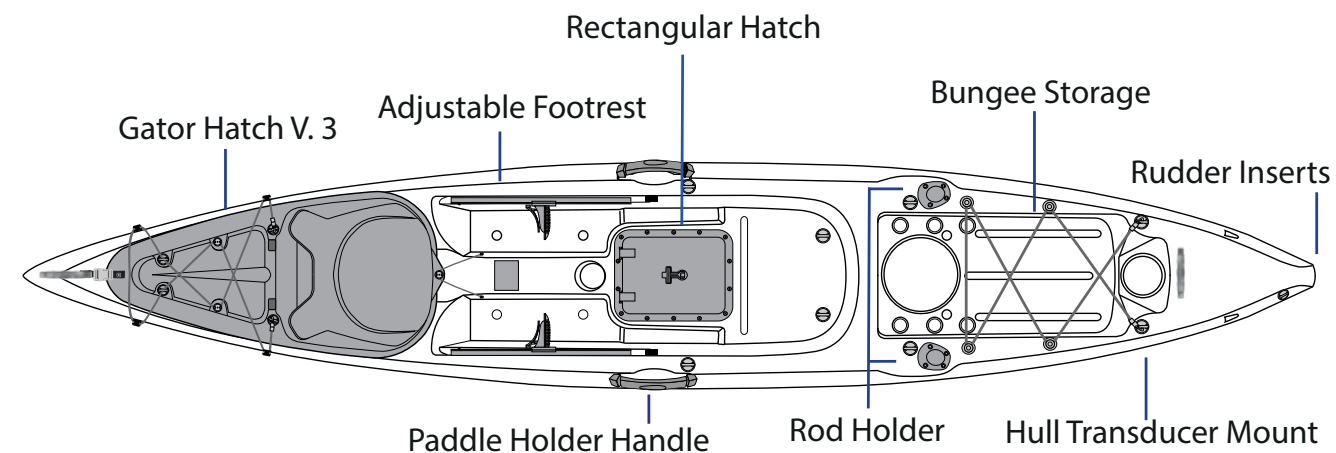
11.5"
DEPTH

60 lbs
HULL WEIGHT

450 lbs
MAX CAPACITY



X-13 PACKAGE



4.0

STABILITY

4.0

SPEED

3.5

MANEUVERABILITY

4.0

TRACKING

ALL

SKILL LEVEL

COASTAL

IDEAL ENVIRONMENT

RECREATIONAL
DIVING
FISHING

ACTIVITY

ADULTS

PERFECT FOR

X-CALIBER

Meticulously designed, the X-Caliber was molded with a unique hull shape that will enable even the most water-fearing kayakers to feel comfortable. A perfect intro for the adventurous intermediate kayakers.

CATEGORIES



Diving Hunting

HIGHLIGHT



Extra Storage Fish Finder

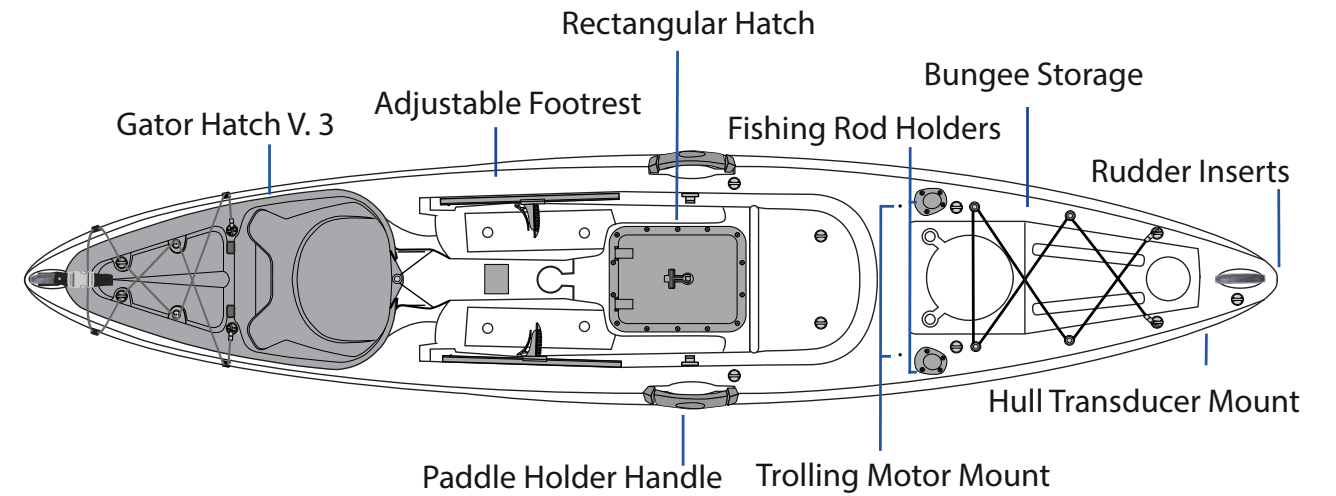
SEATING



SPECIFICATIONS

12' 6" | 31" | 12" | 52 lbs | 400 lbs
 LENGTH | WIDTH | DEPTH | HULL WEIGHT | MAX CAPACITY

X-CALIBER PACKAGES



4.0

STABILITY

2.5

SPEED

ANY

SKILL LEVEL

RECREATIONAL DIVING

ACTIVITY

3.0

MANEUVERABILITY

4.5

TRACKING

ROUGH COASTAL

IDEAL ENVIRONMENT

ADULTS

PERFECT FOR

X-FACTOR

Bursting with storage space, the X-Factor comes with endless possibilities. A great introduction to kayak fishing, the X-Factor cuts through the roughest chop and swell. You'll understand why the X-Factor has been nicknamed the "pickup truck" kayak.

CATEGORIES



Fishing



Hunting

HIGHLIGHT



Extra Storage



Fish Finder

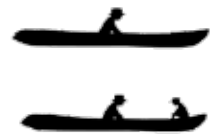


X-Seat



Standing Platform

SEATING



SPECIFICATIONS

14' 4"
LENGTH

33"
WIDTH

13"
DEPTH

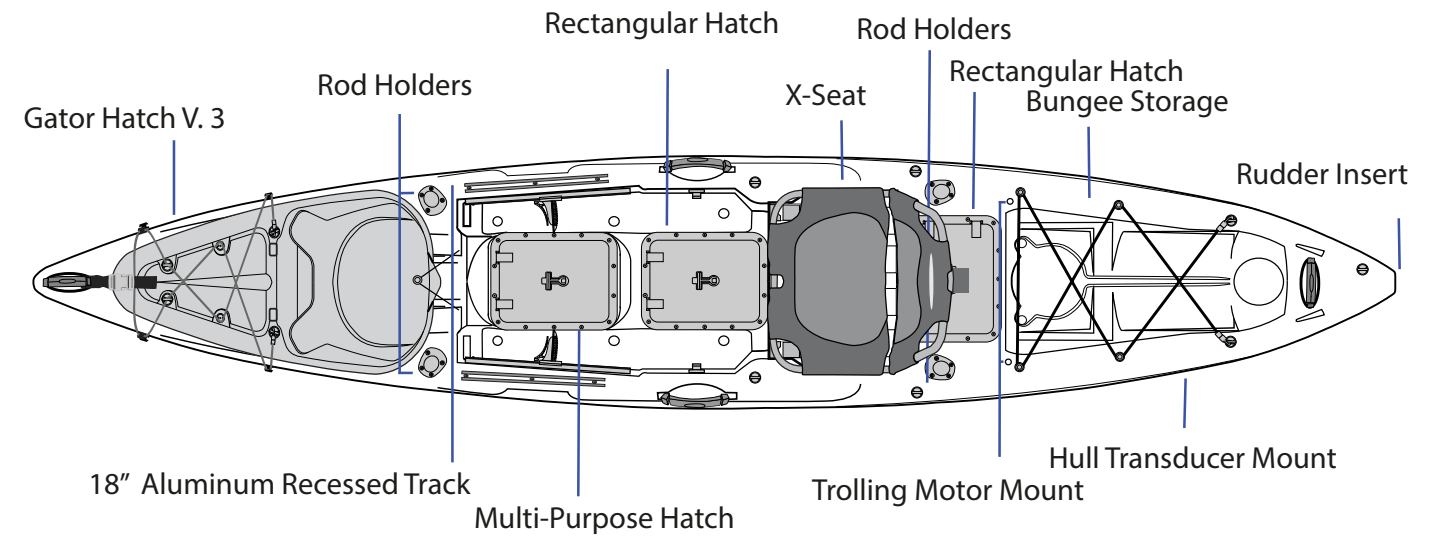
64 lbs
HULL WEIGHT

550 lbs
MAX CAPACITY

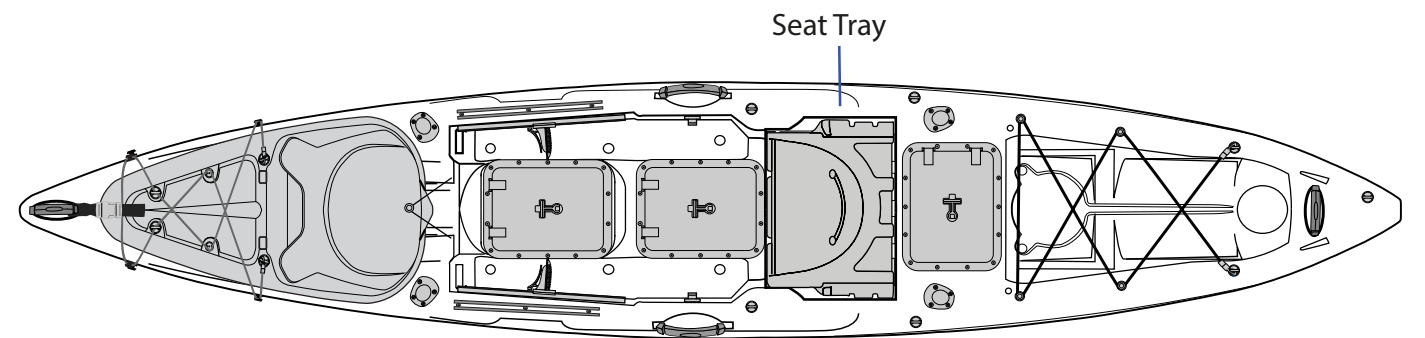


X-FACTOR PACKAGES

X-SEAT



SEAT TRAY



5.0

STABILITY

2.0

SPEED

INTERMEDIATE
to
ADVANCED

SKILL LEVEL

FISHING
HUNTING
CAMPING

ACTIVITY

2.5

MANEUVERABILITY

4.5

TRACKING

ANY

IDEAL ENVIRONMENT

ADULTS

PERFECT FOR



MALIBU



MALIBU



MALIBU



MALIBU



MALIBU



MALIBU

XPLOR



AFFORDABLE



SMART START



CUSTOMIZABLE



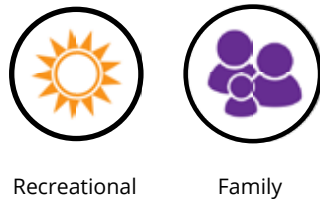
HIGH QUALITY

Finally, a kayak line that combines the best in quality, with the best in pricing! XPLOR Kayaks use the same high grade, rotomolded polyethylene resin and designers as our parent company, Malibu Kayaks, to make the most customizable, and affordable, kayak on the market. Made in the U.S.A. with ample space for custom rigging, a limited lifetime warranty that guarantees you're getting only the best, and you'd never believe you're paying less than other entry level brands.

XPLOR

The perfect beginner kayak for recreational paddlers or anglers, kids or adults. The Smart-Start Kayak is the great starter kayak that's priced for the public and can be customized to your needs.

CATEGORIES



Recreational Family

HIGHLIGHT



Lightweight Standing Platform

SEATING



SPECIFICATIONS

8' 10"	33"	12.5"	38 lbs	300 lbs
LENGTH	WIDTH	DEPTH	HULL WEIGHT	MAX CAPACITY



XPLOR

One kayak that can do it all! The XPLOR Bora Bora seats 1-3 paddlers comfortably, making it the perfect option for families with limited budget or storage space.

CATEGORIES



Recreational Family

HIGHLIGHT



Lightweight Standing Platform

SEATING



SPECIFICATIONS

11' 8"	36"	13.5"	53 lbs	450 lbs
LENGTH	WIDTH	DEPTH	HULL WEIGHT	MAX CAPACITY



ADD ON BUNDLES

These items can be bundled with any purchased kayaks. Ask your local retailer for more info.

Seat & Paddle



Pre-installed Rudder Kit



Tsunami Kayak Paddles



Pre-installed Livewell Pump



Pre-installed Rod Holders



ACCESSORIES



ACCESSORIES



X-Wing



Now you can have all your electronics, rod holders, and dry storage in this sliding unit that conveniently detaches off your kayak for quick storage. Designed for ergonomic fishing with effortless control in reaching those far away items and totally customize for your own specifications.



Rudder Kit



Steer your kayak hands-free with our durable Universal Rudder System. Designed to fit most major brand kayaks that have adjustable foot tracks and the ability to access the hull near the stern of the kayak. All assembly parts, foot pedals, and tracking system are included.



Seats



Any of our seats are an excellent option for anglers, paddlers and recreational kayakers alike. Try our Apex 1, Explorer Seat, or Spider Angler Seat.

Transportation Accessories



Secure your kayak to your car, truck or van with our multipurpose racks or 15' Tie Down Straps.

X-Tank



Add even more storage possibilities to your Malibu Kayaks. Convert a normal rear hatch into a cooler, a battery compartment, a livewell, or simply just an enlarged dry storage area. Doubles as an elevated seating platform when closed, ideal for comfortable seated fishing.



Tsunami Kayak Paddles



The Tsunami Kayak Paddles feature a sturdy 52" adjustable 2 piece aluminum shaft. The sleek paddle design easily cuts through open water and is great for everyday recreational activities



Leashes



Tired of stressing about your expensive gear making its way to the bottom of the ocean? Our lightweight accessory and paddle leashes keep your gear strapped to your kayak without limiting functionality, so you keep the claim on your goods, not the sea.

Hatches



Need to access the hull for some custom rigging, or just want a great dry storage solution? One of our many different hatch styles is sure to be perfect fit!

Wheel Cart



Designed with large inflatable tires to help you get your kayak over sand and rocks easily. Also equipped with a kick-stand for easy loading. Multiple kayaks can stack on top of each other. Maximum weight 200 lbs.



Adult Fishing Life Vest



Designed for anglers or recreational boating, the Adult Fishing Life Vest is a low-profile, high mobility vest that offers big buoyancy for big water. The full adjustable waist straps and zipper offer a much better fit.



Bungee Cord & Webbing



Get an extra 8' of bungee with our bungee cord kit or additional webbing straps for replacement buckles.

Malibu Kayak's Replacement Parts



Pick up extra Shock Cord Cleat to use with our bungee side handles and for easy bungee storage. Find more replacement parts at CODpaddlesports.com.

ACCESSORIES

Multi-Kayak Storage System



SKU
TF-204-2s

Kayak Storage System



SKU
TF-104

SPAREHAND

Tools Free

Portable Rack for Kayaks



SKU
CX-26

Double Sided Storage System



SKU
TF-507

ACCESSORIES

5 Kayak Storage Rack With Caster Wheels



SKU
GL-0001

Wall Mount (Single Set)



SKU
GL-0003

Catalina



SKU
GL-0005

GLACIK

Vertical Kayak Rack With Paddle



SKU
GL-0002

Wall Mount With Paddle Holder



SKU
GL-0004

Catalina Plus



SKU
GL-0006