

CUSTOMER #: _____

AWI GRADE REQUIREMENTS:

ECONOMY CUSTOM PREMIUM

PROJECT PHASING:

N/A 1st 2nd 3rd 4th

OWNER:

OWNER NAME:

STREET, P.O. BOX, SUITE:
CITY, STATE ZIP CODE:
PHONE:
CONTACT:
EMAIL:

FAX:
MOBILE:

ARCHITECT / DESIGNER:

ARCHITECT NAME:

STREET, P.O. BOX, SUITE:
CITY, STATE ZIP CODE:
PHONE:
CONTACT:
EMAIL:

FAX:
MOBILE:

GENERAL CONTRACTOR:

CONTRACTOR NAME:

STREET, P.O. BOX, SUITE:
CITY, STATE ZIP CODE:
PHONE:
CONTACT:
EMAIL:

FAX:
MOBILE:

CASEWORK / MILLWORK FABRICATOR:

COMPANY LOGO:

COMPANY NAME:

COMPANY TAG LINE:

STREET, P.O. BOX, SUITE:
CITY, STATE ZIP CODE:
PHONE:
FAX:
MOBILE:
CONTACT:
EMAIL:



INSTALLATION FIRM:

SAME AS CASEWORK / MILLWORK FABRICATOR

PHONE:
CONTACT:
EMAIL:

FAX:
MOBILE:

Submittal drawings indicate the products to be custom manufactured and adjacent work effecting fabrication and / or installation. Refer to most recent quote for the exact items to be provided. Fabrication begins after submittal drawings are approved and returned. COMPANY NAME will field measure wall to wall dimensions and verify jobsite conditions prior to fabrication. To avoid misinterpretations and possible delivery delays, please review and return in a timely manner. If these drawings are revised, COMPANY NAME reserves the right to amend price and / or delivery schedules.

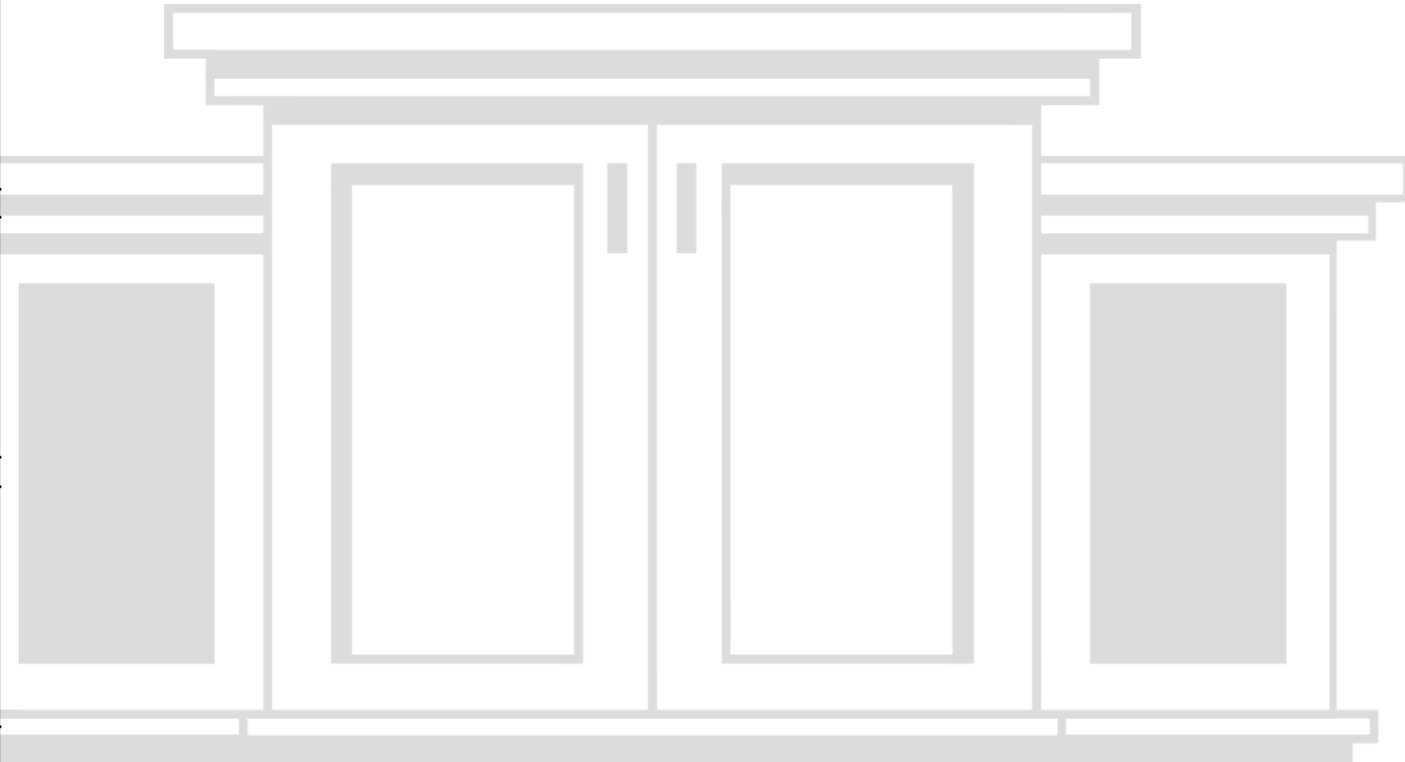
WARRANTIES VOID: If damage caused by others and / or climatic conditions fail to meet AWI specification.

PROJECT NAME: _____

PROJECT DESCRIPTION:

PROJECT ADDRESS:

PROJECT CITY STATE ZIP:



COMPANY NAME
COMPANY TAG LINE:

COMPANY LOGO:

PROJECT NAME:

ARCHITECT'S REVIEW

THIS ENTIRE SUBMITTAL HAS BEEN REVIEWED AND IS:

- APPROVED
- APPROVED & CORRECTED
- TO BE REVIEWED & RESUBMITTED
- NOT APPROVED

BY: _____ DATE: _____

GENERAL CONTRACTOR'S REVIEW

THIS ENTIRE SUBMITTAL HAS BEEN REVIEWED AND IS:

- APPROVED
- APPROVED & CORRECTED
- TO BE REVIEWED & RESUBMITTED
- NOT APPROVED

BY: _____ DATE: _____

MILLWORKER'S REVIEW

THIS ENTIRE SUBMITTAL HAS BEEN REVIEWED AND IS:

- APPROVED
- APPROVED & CORRECTED
- TO BE REVIEWED & RESUBMITTED
- NOT APPROVED

BY: _____ DATE: _____

ISSUE DATE:	
REVISION DATES	
REV. 1	
REV. 2	
REV. 3	
REV. 4	
REV. 5	
REV. 6	
REV. 7	
REV. 8	
REV. 9	
PROJECT NUMBER:	
CUSTOMER NUMBER:	
CAD FILE NUMBER:	
DRAWN BY: H C	

NOT FOR FABRICATION:

SHEET NUMBER:
COVER
OF

DRAWING INDEX:

NOTE PAD:

#:	ROOM:	DESCRIPTION:	SHEET:
1			
2			
3			
4			
5			
6			
7			
8			
9			
10			
11			
12			
13			
14			
15			
16			
17			
18			
19			
20			
21			
22			
23			
24			
25			
26			
27			
28			
29			
30			
31			
32			
33			
34			
35			
36			
37			
38			
39			
40			
41			
42			
43			
44			
45			
46			
47			
48			
49			
50			
51			
52			
53			
54			
55			
56			
57			
58			
59			
60			
61			
62			
63			
64			
65			
66			
67			

COMPANY NAME
COMPANY TAG LINE:

COMPANY LOGO:

PROJECT NAME:

ISSUE DATE:	REVISION DATES
REV. 1	
REV. 2	
REV. 3	
REV. 4	
REV. 5	
REV. 6	
REV. 7	
REV. 8	
REV. 9	
PROJECT NUMBER:	
CUSTOMER NUMBER:	
CAD FILE NUMBER:	
DRAWN BY: H C	

SHEET NUMBER:
INDEX
OF

PROJECT SPECIFICATION:

FINISH SCHEDULE: PLEASE MARK COLOR LOCATIONS ON ELEVATIONS

CABINET CONSTRUCTION:		WOOD PANEL COMPONENTS: <input type="radio"/> NAUF <input type="radio"/> FSC <input type="radio"/> LEED			
CABINET STYLE: <input checked="" type="radio"/> FLUSH OVERLAY <input type="radio"/> REVEAL OVERLAY <input type="radio"/> FLUSH INSET <input type="radio"/> FACE FRAME	EXPOSED SURFACES:	SEMI-EXPOSED SURFACES:	OPEN INTERIORS:	FACE EDGE:	
	<input checked="" type="radio"/> .028" PLASTIC LAMINATE <input type="radio"/> MELAMINE <input type="radio"/> WOOD VENEER	<input checked="" type="radio"/> WHITE MELAMINE <input type="radio"/> CABINET LINER <input type="radio"/> WOOD VENEER	<input type="radio"/> MATCH SEMI-EXPOSED <input checked="" type="radio"/> MATCH EXPOSED <input type="radio"/>	<input checked="" type="radio"/> .018" PVC <input type="radio"/> 1mm PVC <input type="radio"/> .028" PLASTIC LAMINATE <input type="radio"/> HARDWOOD	
	CASE SUBSTRATE MATERIAL:	CASE JOINERY:	BACK PANEL MATERIAL:	BACK PANEL JOINERY:	
<input checked="" type="radio"/> 3/4" PARTICLE BOARD <input type="radio"/> 3/4" PLYWOOD <input type="radio"/> 3/4" MDF	<input checked="" type="radio"/> 8mm x 30mm DOWELS <input type="radio"/> #10 x 1 3/4" SCREWS <input type="radio"/>	<input checked="" type="radio"/> 1/4" WHITE MELAMINE <input type="radio"/> 1/4" CABINET LINER <input type="radio"/> 1/4" PLYWOOD	<input checked="" type="radio"/> 1/4" DEEP DADO, 3 SIDES <input checked="" type="radio"/> #10 x 1 3/4" SCREWS <input type="radio"/> 8mm x 30mm DOWELS		
DOORS / DRAWER FRONTS:	EXTERIOR FINISH:	INTERIOR FINISH:	EDGE BAND:		SUBSTRATE MATERIAL:
	<input checked="" type="radio"/> .028" PLASTIC LAMINATE <input type="radio"/> WOOD VENEER <input type="radio"/>	<input checked="" type="radio"/> MATCH SEMI-EXPOSED <input type="radio"/> MATCH EXPOSED <input type="radio"/>	<input type="radio"/> .028" PLASTIC LAMINATE <input type="radio"/> .018" PVC <input type="radio"/> 1mm PVC <input type="radio"/> 3mm PVC <input type="radio"/> HARDWOOD		<input checked="" type="radio"/> 3/4" PARTICLE BOARD <input type="radio"/> 3/4" PLYWOOD
DRAWER BOXES:	DRAWER BOX FINISH:	DRAWER BOX MATERIALS:		DRAWER BOX JOINERY:	
	<input checked="" type="radio"/> MATCH SEMI-EXPOSED <input type="radio"/> WOOD VENEER	<input checked="" type="radio"/> 1/2" PARTICLE BOARD <input type="radio"/> 1/2" PLYWOOD		<input checked="" type="radio"/> 6mm x 30 mm DOWELS <input checked="" type="radio"/> GLUE & STAPLE	
	DRAWER EDGE BAND: TOP EDGE	DRAWER BOTTOM PANELS:		DRAWER BOTTOM JOINERY:	
<input checked="" type="radio"/> .018 PVC <input type="radio"/> 1mm PVC <input type="radio"/> 3mm PVC <input type="radio"/> HARDWOOD	<input checked="" type="radio"/> 1/4" MELAMINE <input type="radio"/> 1/4" PLYWOOD		<input checked="" type="radio"/> 1/4" DEEP DADO, 3 SIDES <input checked="" type="radio"/> #10 x 1 1/4" SCREWS		
CABINET SHELVES:	SHELF FINISH:	SHELF EDGE BAND: 1 EDGE	SHELF MATERIALS:		
	<input checked="" type="radio"/> MATCH SEMI-EXPOSED <input type="radio"/>	<input checked="" type="radio"/> .018 PVC <input type="radio"/> 1mm PVC <input type="radio"/> 3mm PVC <input type="radio"/> HARDWOOD	<input checked="" type="radio"/> 3/4" PARTICLE BOARD UP TO 36", 1" THICK OVER 36" <input type="radio"/> 3/4" PLYWOOD UP TO 36", 1" THICK OVER 36"		
CABINET BASES:	STYLE:	FINISH:	BASE MATERIAL:		
	<input type="radio"/> SEPARATE LADDER STYLE <input checked="" type="radio"/> INTEGRAL	<input checked="" type="radio"/> UNFINISHED <input type="radio"/> PLASTIC LAMINATE	<input type="radio"/> 3/4" PARTICLE BOARD <input type="radio"/> 2x SOLID WOOD <input checked="" type="radio"/> 3/4" EXTERIOR PLYWOOD <input type="radio"/> 5/4" PRESSURE TREATED		

PLASTIC LAMINATE: STANDARD COLORS				EDGE BAND PLASTIC LAMINATE:	
PL-1	<input type="radio"/>	EB-1	<input type="radio"/>	PL-2	<input type="radio"/>
PL-3	<input type="radio"/>	EB-2	<input type="radio"/>	PL-4	<input type="radio"/>
PL-4	<input type="radio"/>	EB-3	<input type="radio"/>	EB-4	<input type="radio"/>
SOLID SURFACE:					
SS-1	<input type="radio"/>	SS-2	<input type="radio"/>	SS-3	<input type="radio"/>
SS-2	<input type="radio"/>	SS-4	<input type="radio"/>	SS-4	<input type="radio"/>
QUARTZ SURFACE:					
QS-1	<input type="radio"/>	QS-2	<input type="radio"/>	QS-3	<input type="radio"/>
QS-2	<input type="radio"/>	QS-4	<input type="radio"/>	QS-4	<input type="radio"/>
WOOD VENEER:					
WV-1	<input type="radio"/> PG <input type="radio"/> SG	WE-1	<input type="radio"/>	WV-2	<input type="radio"/> PG <input type="radio"/> SG
WV-2	<input type="radio"/> PG <input type="radio"/> SG	WE-2	<input type="radio"/>	WV-3	<input type="radio"/> PG <input type="radio"/> SG
WV-3	<input type="radio"/> PG <input type="radio"/> SG	WE-3	<input type="radio"/>	WV-4	<input type="radio"/> PG <input type="radio"/> SG
WV-4	<input type="radio"/> PG <input type="radio"/> SG	WE-4	<input type="radio"/>	EDGE BAND FOR WOOD VENEER:	
WOOD TRIM ITEMS:					
WD-1	<input type="radio"/> PG <input type="radio"/> SG	WD-2	<input type="radio"/> PG <input type="radio"/> SG	WD-3	<input type="radio"/> PG <input type="radio"/> SG
WD-2	<input type="radio"/> PG <input type="radio"/> SG	WD-4	<input type="radio"/> PG <input type="radio"/> SG	WD-4	<input type="radio"/> PG <input type="radio"/> SG
WD-3	<input type="radio"/> PG <input type="radio"/> SG				
WD-4	<input type="radio"/> PG <input type="radio"/> SG				

CABINET HARDWARE:

PULLS:	<input checked="" type="radio"/> AMEROCK #BP69153G10 <input type="radio"/>	SHELF ADJUSTMENT:	<input checked="" type="radio"/> 32mm LINEBORE <input type="radio"/>
	<input type="radio"/>		<input type="radio"/>
HINGES:	<input checked="" type="radio"/> BLUM, CONCEALED, SELF CLOSING, 120° <input type="radio"/>	SHELF SUPPORT:	<input checked="" type="radio"/> 5mm ALUMINUM PIN, 4 PER SHELF <input type="radio"/>
	<input type="radio"/>		<input type="radio"/>
DRAWER SLIDES:	<input checked="" type="radio"/> SIDE MOUNT 3/4 EXTENSION <input type="radio"/>	DRAWER LOCKS:	<input type="radio"/>
	<input type="radio"/>		<input type="radio"/>
FILE DRAWER SLIDES:	<input checked="" type="radio"/> BLUM #430, 22", FULL EXTENSION <input type="radio"/>	DOOR LOCKS:	<input type="radio"/>
	<input type="radio"/>		<input type="radio"/>
DOOR CATCHES:	<input type="radio"/>	KEYING:	<input type="radio"/>
	<input type="radio"/>		<input type="radio"/>
			<input type="radio"/> ALIKE <input type="radio"/> DIFFER <input type="radio"/> MASTER

COUNTER TOPS & SPLASH:

PLASTIC LAMINATE: GP-50: <input type="radio"/>	EDGE / PROFILE:	FINISHED EDGE MATERIALS:	COUNTER & SPLASH MATERIALS:	
	<input type="radio"/> SQUARE <input type="radio"/> RADIUS <input type="radio"/> BULLNOSE <input type="radio"/> NO-DRIP	<input type="radio"/> .050" PLASTIC LAMINATE <input type="radio"/> 3mm PVC <input type="radio"/> HARDWOOD	<input type="radio"/> 3/4" PARTICLE BOARD <input type="radio"/> .020" PLAM BACKER SHEET <input type="radio"/> 3/4" PLYWOOD, TYPICAL AT WET AREAS	
1/2" SOLID SURFACE: <input type="radio"/>	EDGE / PROFILE:	FINISHED EDGE MATERIALS:	COUNTER SUB-TOPS:	
	<input type="radio"/> SQUARE <input type="radio"/> EASED <input type="radio"/> RADIUS <input type="radio"/> BULLNOSE	<input type="radio"/> SOLID SURFACE <input type="radio"/> HARDWOOD	<input type="radio"/> 1" PARTICLE BOARD <input type="radio"/> 1" PLYWOOD, TYPICAL AT WET AREAS	
QUARTZ SURFACE: <input type="radio"/> 3cm <input type="radio"/> 2cm	EDGE / PROFILE:	FINISHED EDGE MATERIALS:	COUNTER SUB-TOPS:	
	<input type="radio"/> SQUARE <input type="radio"/> EASED <input type="radio"/> RADIUS <input type="radio"/> BULLNOSE	<input type="radio"/> QUARTZ SURFACE <input type="radio"/> HARDWOOD	<input type="radio"/> 11/16" PARTICLE BOARD <input type="radio"/> 11/16" PLYWOOD, TYPICAL AT WET AREAS	
COUNTER SUPPORTS: <input type="radio"/>	<input type="radio"/> A&M METAL BRACKETS: 15" x 21" <input type="radio"/> PLASTIC LAMINATE		<input type="radio"/> WOOD VENEER	
	<input type="radio"/> BLACK <input type="radio"/> WHITE <input type="radio"/> GRAY <input type="radio"/> ALMOND	<input type="radio"/> CORE: 3/4" PARTICLE BOARD <input type="radio"/> CORE: 3/4" PLYWOOD	<input type="radio"/> CORE: 3/4" PARTICLE BOARD <input type="radio"/> CORE: 3/4" PLYWOOD	
GROMMETS:	<input type="radio"/> 2" DIAMETER, BLACK <input type="radio"/>		<input type="radio"/>	
	PLEASE MARK GROMMET LOCATIONS ON PLAN VIEWS			

WALL SHELVING:

<input type="radio"/> ADJUSTABLE <input type="radio"/> FIXED <input type="radio"/> COAT ROD / FLANGE:	EXPOSED SURFACES:	EDGE BAND:	SHELF CORES:	SHELF HARDWARE:
	<input type="radio"/> MELAMINE	<input type="radio"/> .018" PVC <input type="radio"/> 1mm PVC	<input type="radio"/> 3/4" PARTICLE BOARD	<input type="radio"/>
	<input type="radio"/> .028" PLASTIC LAMINATE <input type="radio"/> WOOD VENEER	<input type="radio"/> .028" PLASTIC LAMINATE <input type="radio"/> HARDWOOD	<input type="radio"/> 3/4" PLYWOOD	<input type="radio"/>

ASSEMBLY & INSTALLATION FASTENERS:

ANCHOR TO WALL: #14 X 3" SELF TAPING TRUSS HEAD SCREWS, 16" O.C.	PLASTIC LAMINATE TO CORE - POLY-VINYL ACETATE, PVA COLD PRESS
CABINET TO CABINET: #10 X 1 1/4" ROUND WASHER HEAD	CABINET ASSEMBLY - WATER BASED, WATERPROOF, WOOD GLUE
CABINET TO BASE: #10 X 2 1/2" SCREWS, 6" O.C COUNTERSUNK	PVC EDGE BAND TO CORE - ETHYLENE-VINYL ACETATE, EVA, HOT ROLLER
FLOOR ANCHORS: 3/8" DIA. HILTI KWIK, BOLT TZICC - ESR 1917L, 8" O.C.	
COUNTER JOINTS: 3 1/2", 20 GA. DRAW BOLTS #49600	

CONSTRUCTION ADHESIVES:

These submittal drawings indicate materials and finishes in accordance with most recent quote and interpretation of the architect's plans and specifications. Thoroughly review and note any corrections. Project materials and finishes per shop drawings, unless noted otherwise.

APPLIANCE SCHEDULE:

APPLIANCES:	MANUFACTURER:	MODEL #:	WIDTH:	HEIGHT:	DEPTH:
<input type="radio"/> REFRIGERATOR:					
<input type="radio"/> U/C REFRIGERATOR					
<input type="radio"/> MICROWAVE					
<input type="radio"/> DISHWASHER					
<input type="radio"/> ICE-MAKER					
<input type="radio"/> RANGE					
<input type="radio"/> RANGE HOOD					

SINK SCHEDULE:

SINK TYPE:	MANUFACTURER:	MODEL #:	MATERIALS:	TEMPLATES:	DESCRIPTION:
<input type="radio"/> REST ROOM					
<input type="radio"/> SINGLE BOWL					
<input type="radio"/> DOUBLE BOWL					
<input type="radio"/> UNDERMOUNT					
<input type="radio"/> INTEGRAL					

MISCELLANEOUS ITEMS:

<input type="radio"/> WINDOW SILLS	<input type="radio"/> PLASTIC LAMINATE	<input type="radio"/> SOLID SURFACE	<input type="radio"/> 3/4" PARTICLE BOARD	<input type="radio"/> 3/4" PLYWOOD
------------------------------------	--	-------------------------------------	---	------------------------------------

GENERAL NOTES:

COMPANY NAME
 COMPANY TAG LINE:
 COMPANY LOGO:

PROJECT NAME:

ISSUE DATE:
REVISION DATES
REV. 1
REV. 2
REV. 3
REV. 4
REV. 5
REV. 6
REV. 7
REV. 8
REV. 9
PROJECT NUMBER:
CUSTOMER NUMBER:
CAD FILE NUMBER:
DRAWN BY: HC

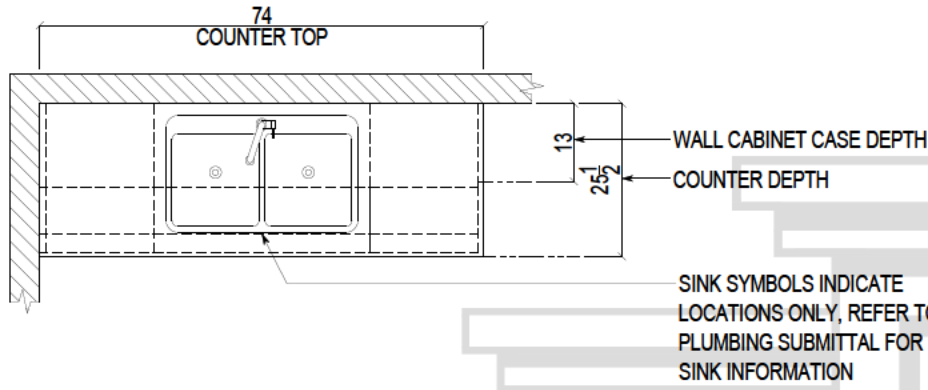
SHEET NUMBER:
SPEC
OF

SAMPLE VIEWS ONLY:

FREIGHT ELEVATOR:

SAMPLE VIEWS BELOW EXPLAINS THE VARIOUS ITEMS ASSOCIATED WITH A TYPICAL PLAN & ELEVATION AND IS NOT PART OF THE ACTUAL SCOPE OF WORK FOR THIS PROJECT.

FIELD VERIFY INTERIOR DIMENSIONS OF FREIGHT ELEVATOR CAB & DOOR OPENING TO DETERMINE MAXIMUM ALLOWABLE SIZES FOR SHIPPING & HANDLING OF CASEWORK / MILLWORK.



DOOR OPENING:

WIDTH: _____

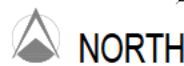
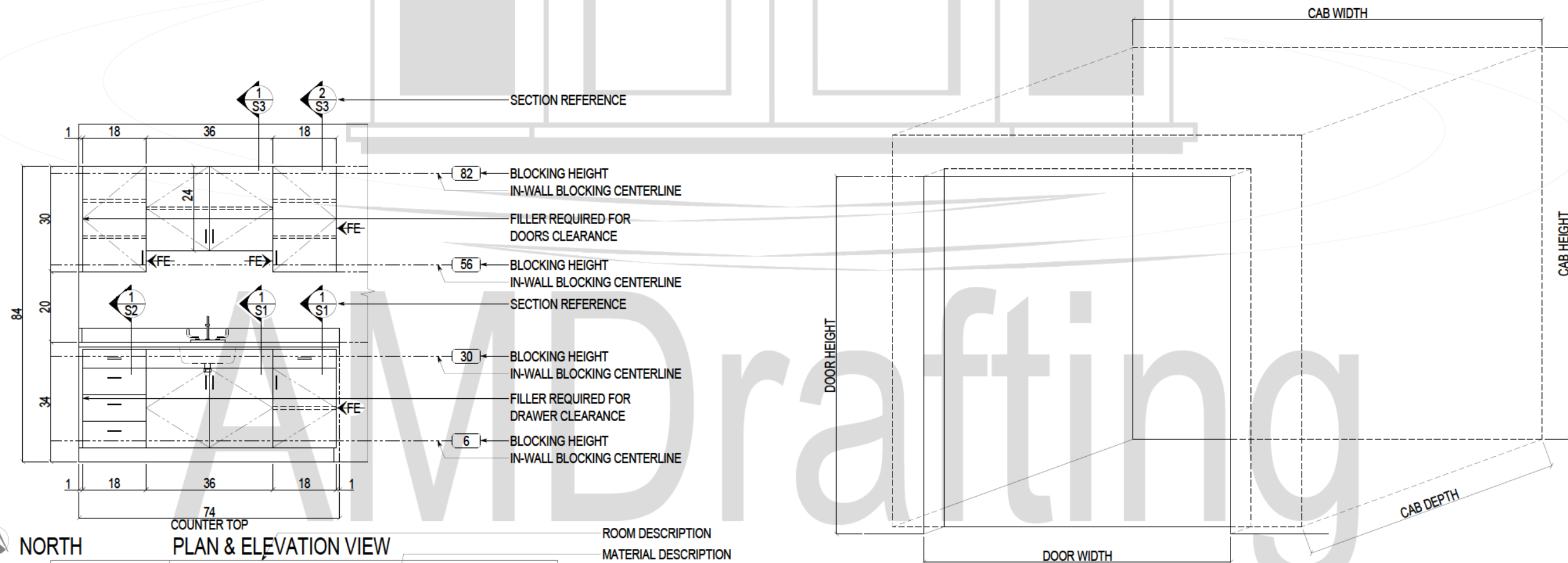
HEIGHT: _____

ELEVATOR CAB:

WIDTH: _____

HEIGHT: _____

DEPTH: _____



COUNTER TOP
PLAN & ELEVATION VIEW

ROOM DESCRIPTION
MATERIAL DESCRIPTION
ROOM NUMBER
FINISH SCHEDULE

VIEW NUMBER → **1**
SCALE → 3/8" = 12"
ARCHITECTURAL REFERENCES

PLAN:	A2.03 / 1	
ELEV:	A4.01 / 12	
SECT:	A6.01 / 4	
DETAIL:		
NOTE:		

PRODUCT DESCRIPTION

COMPANY NAME
COMPANY TAG LINE:

COMPANY LOGO:

PROJECT NAME:

ISSUE DATE:	REVISION DATES
REV. 1	
REV. 2	
REV. 3	
REV. 4	
REV. 5	
REV. 6	
REV. 7	
REV. 8	
REV. 9	

PROJECT NUMBER:

CUSTOMER NUMBER:

CAD FILE NUMBER:

DRAWN BY:
HC

SHEET NUMBER:
LEGEND
OF