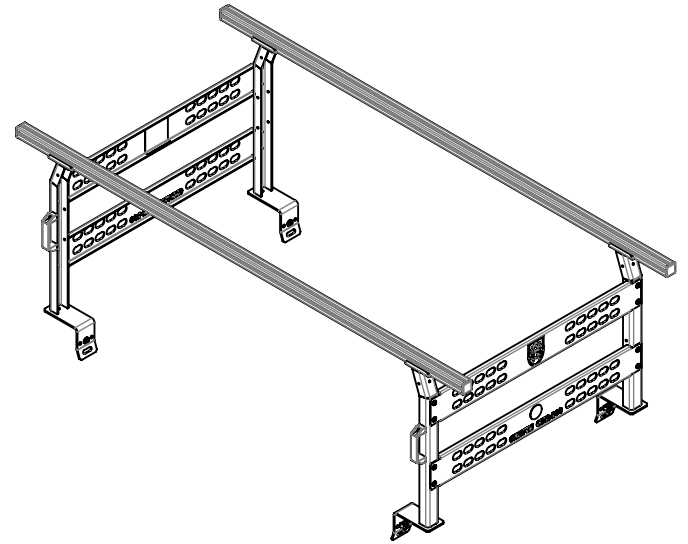
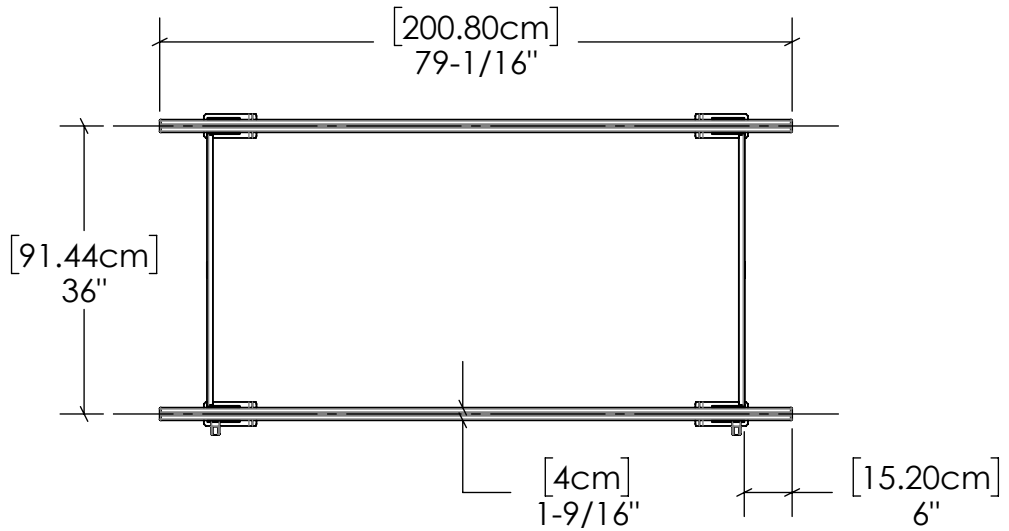
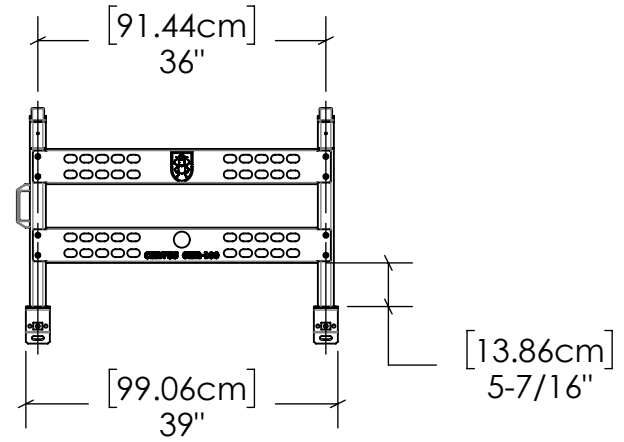
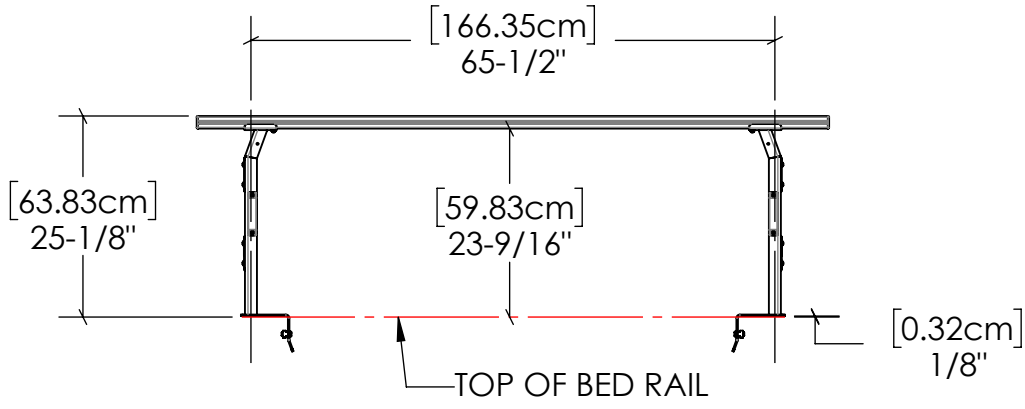


MODEL: GHR-100D:\Roberto\Documents\HABILIS CERVUS FILES\CERVUS-PROJECTS\JEEP ACCESSORIES\GHR-100 JEEP GLADIATOR HIGH RACK\SW

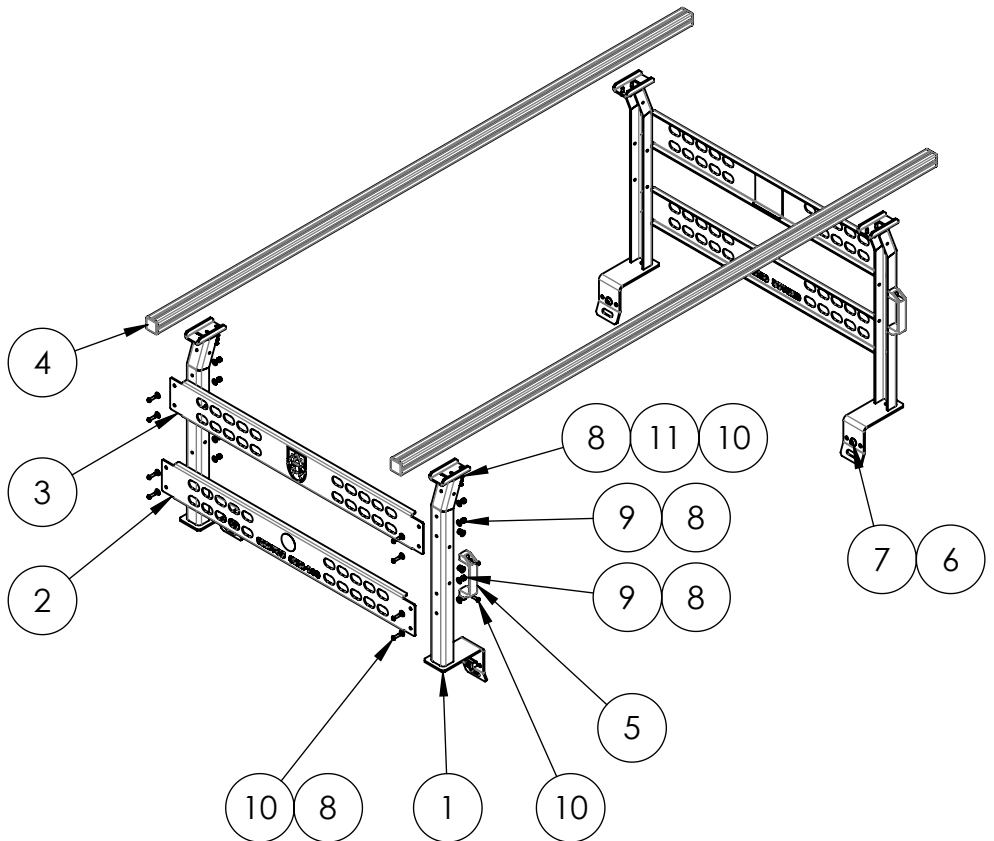


GHR-100
JEEP GLADIATOR HIGH RACK
HEAVY LOAD BAR



DRW: GHR-100	DRAW BY: RV	SCALE: 1:24	PAGE:	REV.
PRJ: GLADIATOR HIGH RACK	APRVD BY: RV	DATE: 08/05/2023	1 OF 2	0

MODEL: GHR-100D:\Roberto\Documents\HABILIS CERVUS FILES\+CERVUS\ CERVUS-PROJECTS\JEEP ACCESSORIES\GHR-100 JEEP GLADIATOR HIGH RACK\SW



GHR-100
 JEEP GLADIATOR HIGH RACK
 HEAVY LOAD BAR

ITEM NO.	SW-File Name (File Name)	DESCRIPTION	QTY.
1	GHR-301	HIGH PILLAR ASSEMBLY	4
2	GHR-502	BOTTOM SIDE BAR ASSEMBLY	2
3	GHR-504	TOP SIDE BAR ASSEMBLY	2
4	TYP-CVS-A006	2000MM 40X40 HEAVY CARGO BAR	2
5	COTS-CVS-0006	PLASTIC PULL HANDLE	2
6	COTS-CVS-0012	M12-1.75 FULLY THRDED T-SLOT NUT	4
7	COTS-CVS-0014	M12-1.75X25 BLACK OXIDE STEEL BUTTON HEX HEAD SCREW	4
8	COTS-CVS-0003	1/4\"X5/8\"OD BLACK-OXIDE SS FLAT WASHER	44
9	COTS-CVS-0002	1/4-20 BLACK OXIDE HEX LOCKNUT	20
10	COTS-CVS-0010	1/4-20X7/8\" 18-8 SS BUTTON HEAD HEX DRIVE SCREW	28
11	COTS-CVS-0059	18-8 Stainless Steel Split Lock Washer	8



DRW: GHR-100	DRAW BY: RV	SCALE: 1:20	PAGE:	REV.
PRJ: GLADIATOR HIGH RACK	APRVD BY:RV	DATE: 08/05/2023	2 OF 2	0