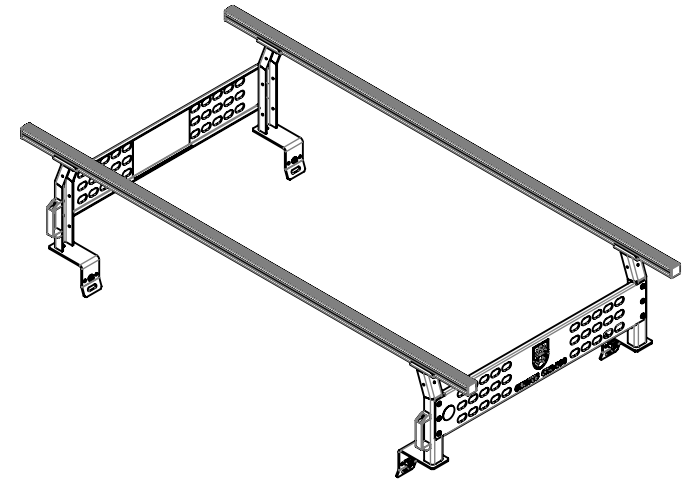
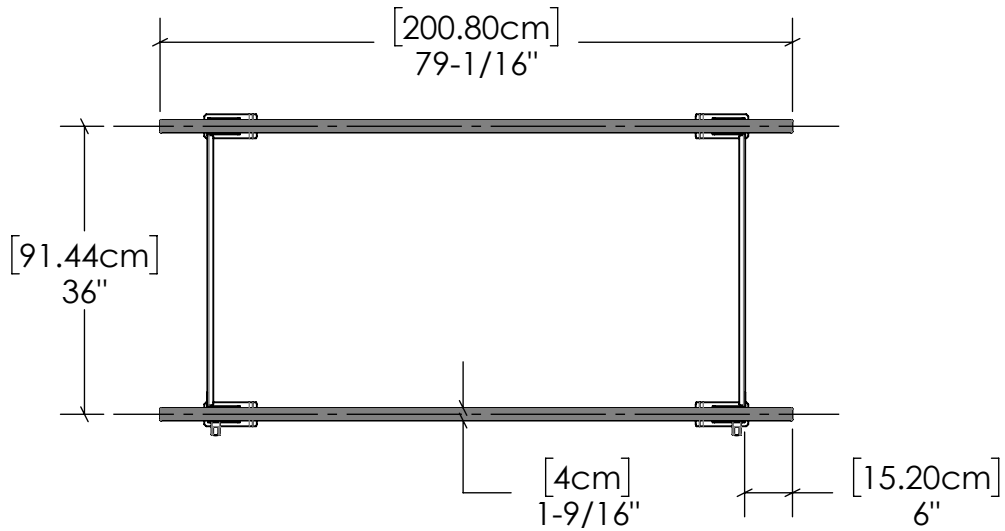
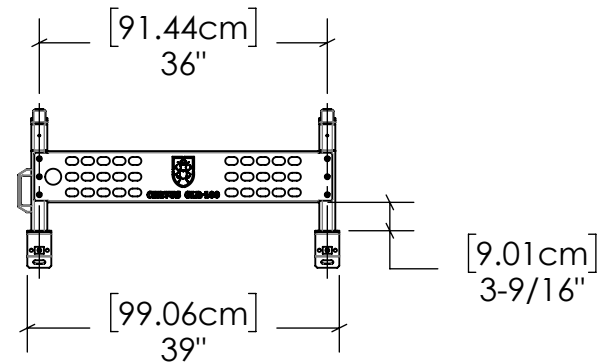
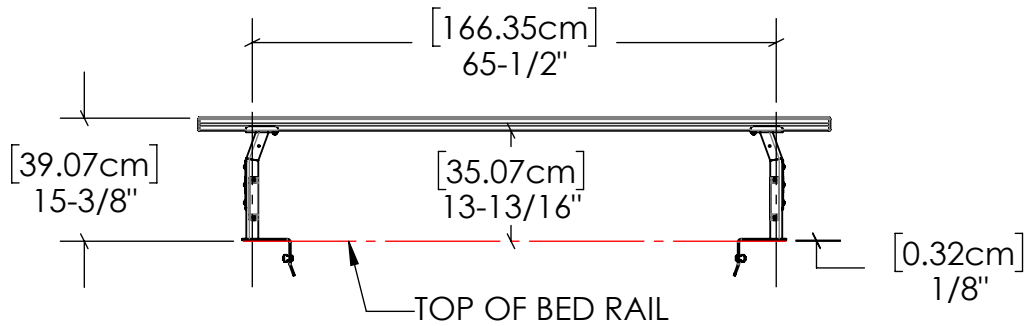


MODEL: GLR-100D:\Roberto\Documents\HABILIS CERVUS FILES\CERVUS-PROJECTS\JEEP ACCESSORIES\GLR-100 JEEP GLADIATOR LOW RACK\SWA

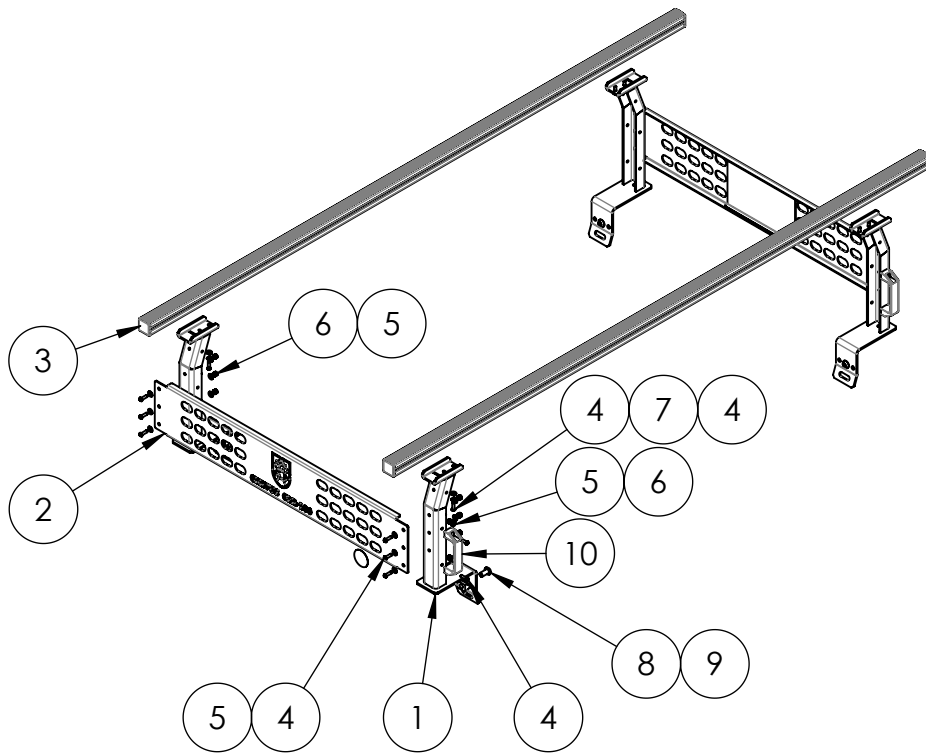


GLR-100
 JEEP GLADIATOR BED LOW RACK
 HEAVY LOAD BAR



DRW: GLR-100	DRAW BY: RV	SCALE: 1:24	PAGE:	REV.
PRJ: GLADIATOR LOW RACK	APRVD BY: RV	DATE: 08/05/2023	1 OF 2	0

MODEL: GLR-100D:\Roberto\Documents\HABILIS CERVUS FILES\CERVUS-PROJECTS\JEEP ACCESSORIES\GLR-100 JEEP GLADIATOR LOW RACK\SWA



GLR-100
 JEEP GLADIATOR BED LOW RACK
 HEAVY LOAD BAR

ITEM NO.	PART NUMBER	DESCRIPTION	QTY.
1	GLR-301	HIGH PILLAR ASSEMBLY	4
2	GLR-502	SIDE BAR ASSEMBLY	2
3	TYP-CVS-A006	2000MM 40X40 HEAVY CARGO BAR	2
4	97763A346	1/4-20X7/8" 18-8 SS BUTTON HEAD HEX DRIVE SCREW	24
5	96765A140	1/4"X5/8"OD BLACK-OXIDE SS FLAT WASHER	36
6	94407A104	1/4-20 BLACK OXIDE HEX LOCKNUT	16
7	92146A621	18-8 Stainless Steel Split Lock Washer	8
8	91239A614	M12-1.75X25 BLACK OXIDE STEEL BUTTON HEX HEAD SCREW	4
9	90510A216	M12-1.75 FULLY THRDED T-SLOT NUT	4
10	1078A32	PLASTIC PULL HANDLE	2



CERVUS®

DRW: GLR-100

PRJ: GLADIATOR LOW RACK

DRAW BY: RV

APRVD BY:RV

SCALE: 1:20

DATE: 08/05/2023

PAGE:

2 OF 2

REV.

0