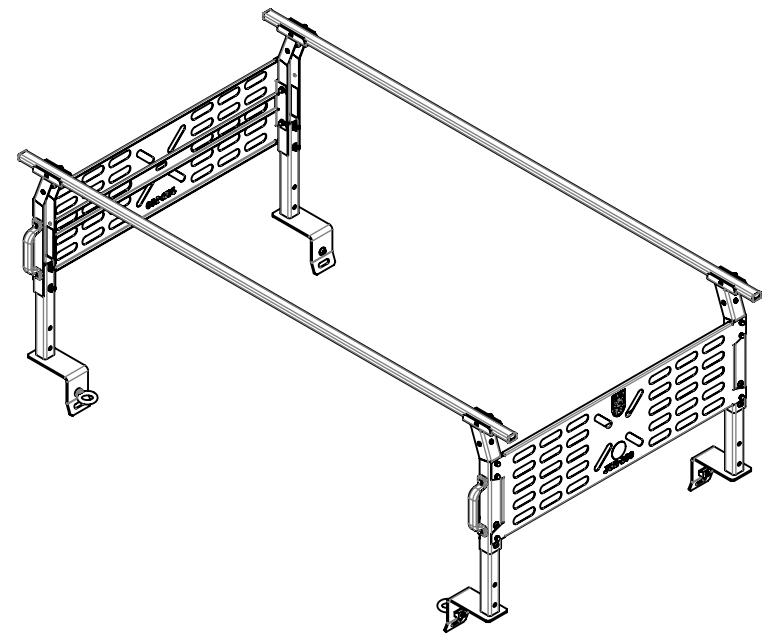
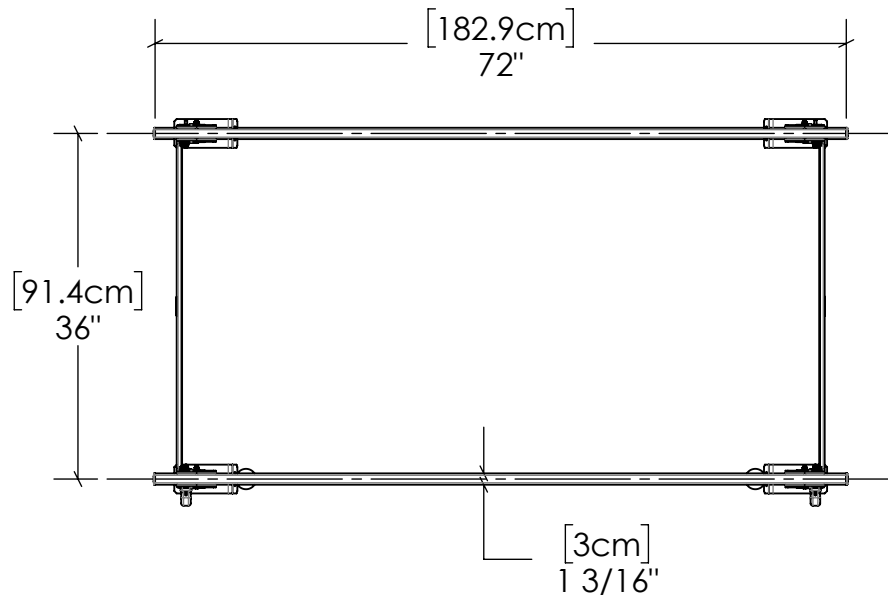
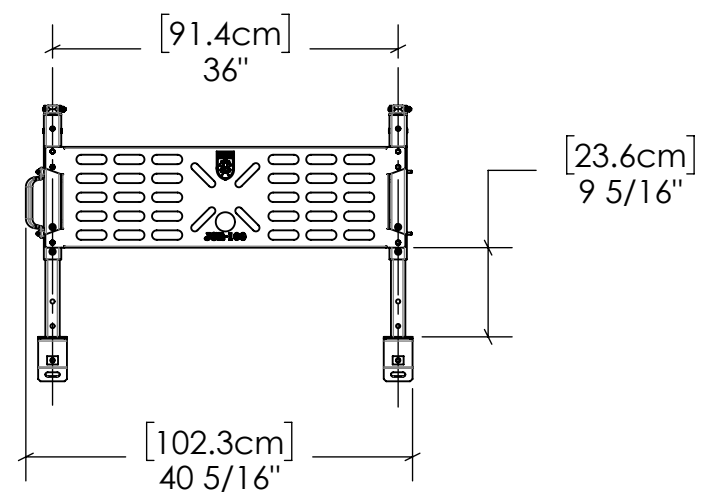
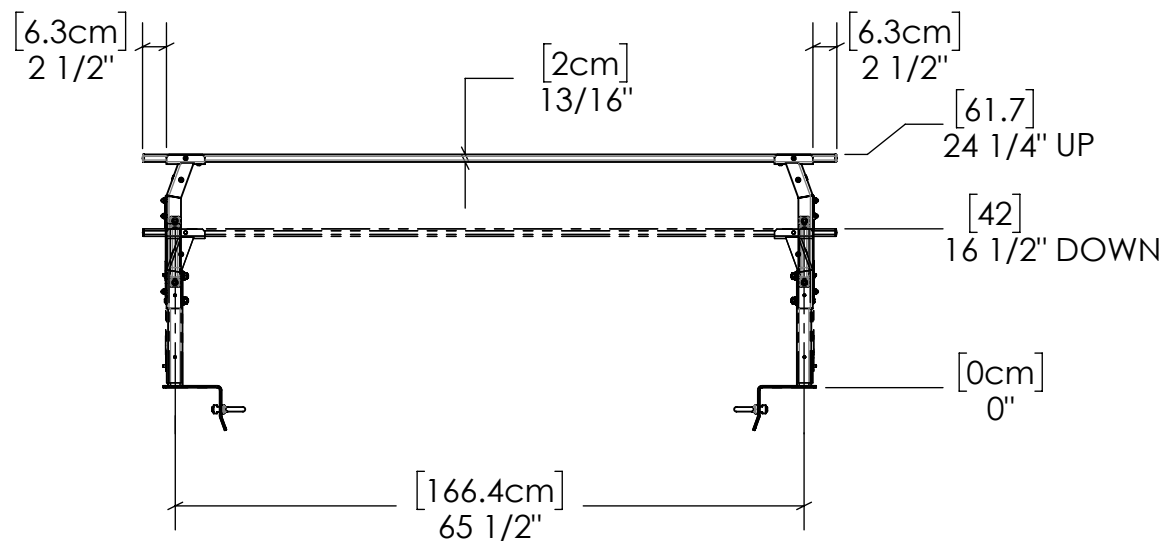


MODEL: JGR-100D; Roberto\Documents\HABILIS CERVUS Files\1-CERVUS\CERVUS-PROJECTS\JEEP COMPONENTS\JEEP COMPONENTS\JGR-100-JEEP GLADIATOR BED RACK\SW\SW DRAWINGS

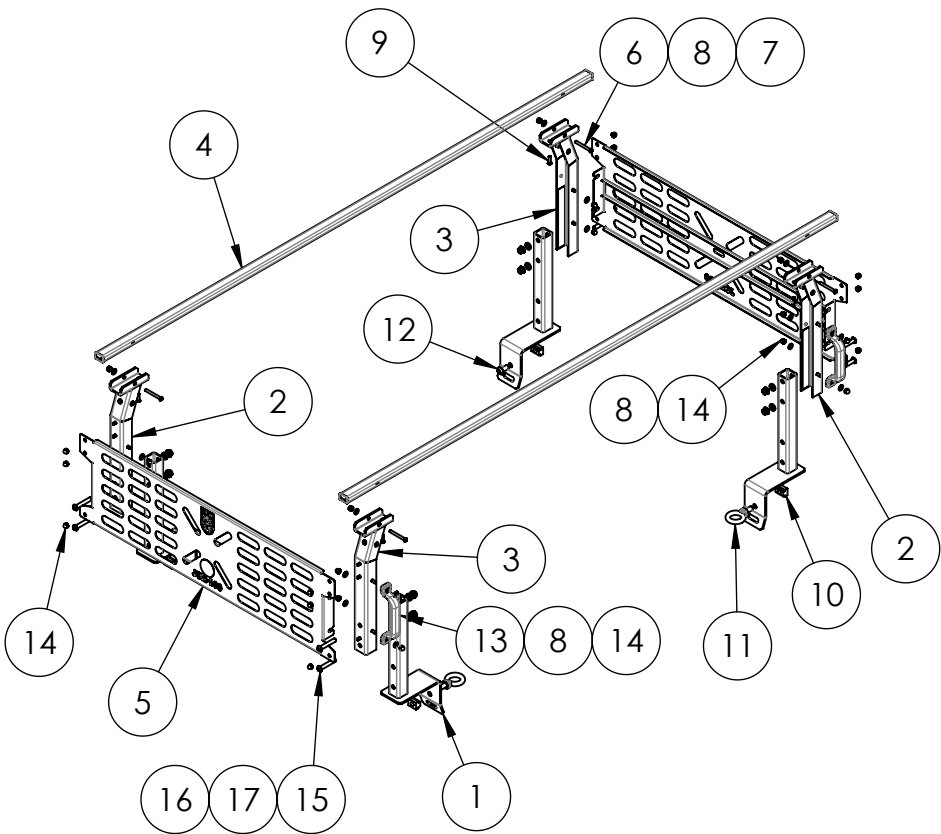


**JEEP GLADIATOR BED BASE RACK  
JGR-100**



DRW: JGR-100	DRAW BY: RV	SCALE: 1:20	PAGE:	REV.
PRJ: JEEP GLD BED RACK	APRVD BY: RV	DATE: 25/01/2021	1 OF 2	1

MODEL: JGR-100D:\Roberto\Documents\HABILIS CERVUS Files\1+CERVUS\CERVUS-PROJECTS\JEEP COMPONENTS\JGR-100-JEEP GLADIATOR BED RACK\SW\DRAWINGS\



**JEEP GLADIATOR BED BASE RACK  
JGR-100**

**JGR-100-BOM**

ITEM NO.	PART NUMBER	DESCRIPTION	QTY.
1	JGR-200	PILLAR ASSEMBLY	4
2	JGR-300-L	PILLAR SLEEVE ASSEMBLY LEFT	2
3	JGR-300-R	PILLAR SLEEVE ASSEMBLY RIGHT	2
4	JGR-400	CROSS BAR ASSEMBLY	2
5	JGR-500B	BASE RACK MOLLE PANEL ASSEMBLY	2
6	COTS-CVS-0001	1/4-20X2-1/4" BLACK OXIDE SS BUTTON HEAD HEX SCREW	4
7	COTS-CVS-0002	1/4-20 BLACK OXIDE HEX LOCKNUT	4
8	COTS-CVS-0003	1/4"X5/8"OD BLACK-OXIDE SS FLAT WASHER	16
9	COTS-CVS-0010	1/4-20X7/8" _18-8 SS BUTTON HEAD HEX DRIVE SCREW	4
10	COTS-CVS-0012	M12-1.75 FULLY THRDED T-SLOT NUT	4
11	COTS-CVS-0013	M12-1.75 STEEL EYEBOLT	2
12	COTS-CVS-0014	M12-1.75X25 BLACK OXIDE ALLOY STEEL BUTTON HEAD HEX SCREW	2
13	COTS-CVS-0018	RECTANGULAR-GRIP PULL HANDLE W THROUGH HOLES	2
14	COTS-CVS-0020	1/4-20-BLACK LOW STRENGTH 2B STEEL CAP NUT	24
15	COTS-CVS-0021	3/8-16X2-1/4" SS BUTTON HEAD HEX SCREW	8
16	COTS-CVS-0022	3/8-16 BLACK OXIDE FLANGE LOCKNUT	8
17	COTS-CVS-0025	3/8" BLACK OXIDE SS FLAT WASHER	8



DRW: JGR-100	DRAW BY: RV	SCALE: 1:20	PAGE:	REV.
PRJ: JEEP GLD BED RACK	APRVD BY:RV	DATE: 25/01/2021	2 OF 2	1