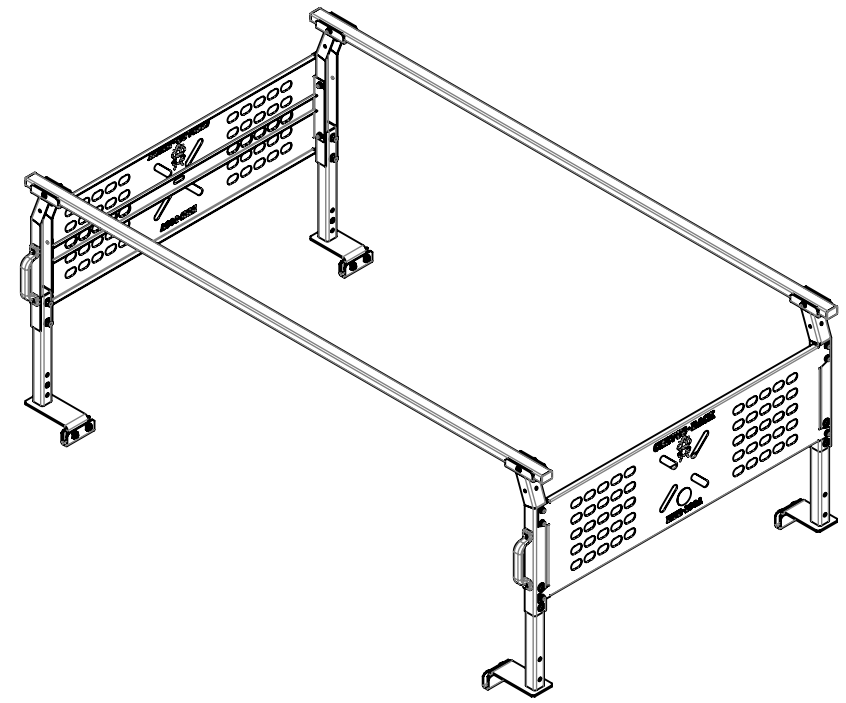
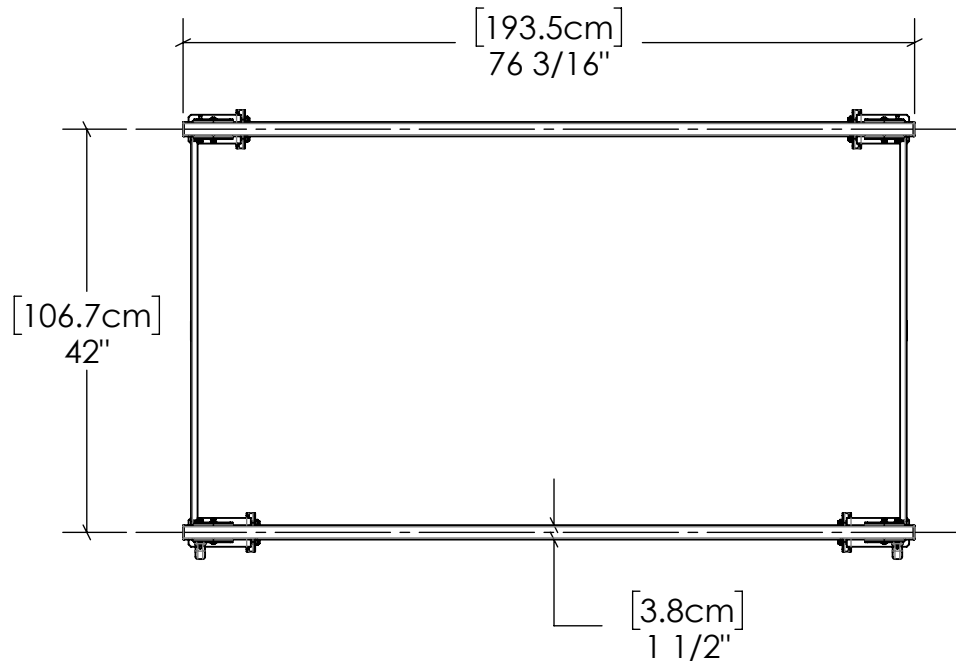
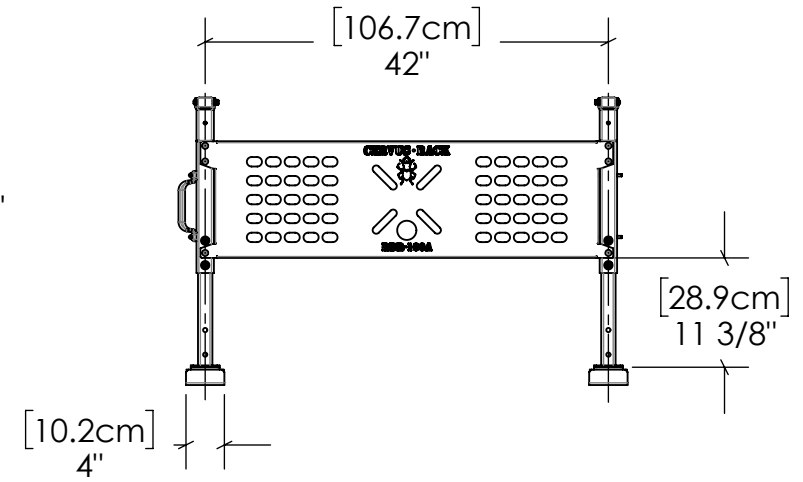
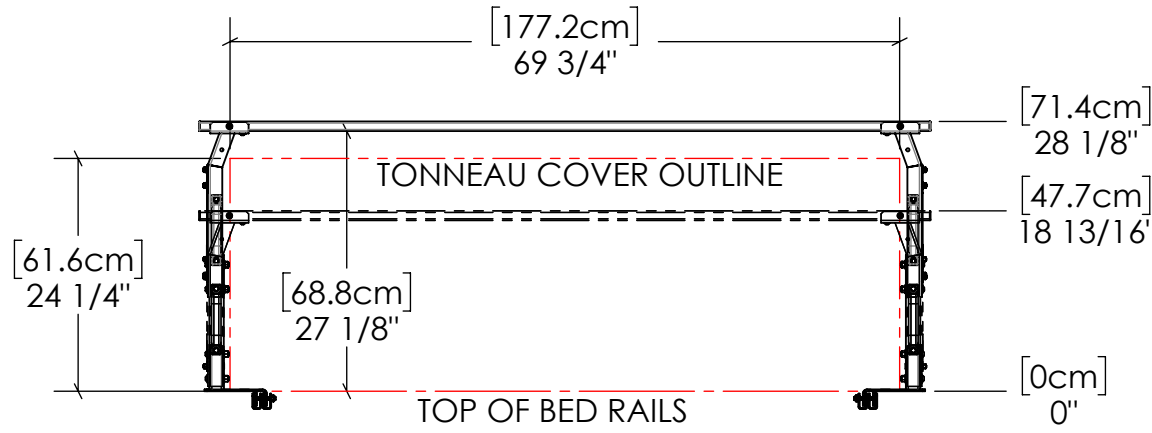


MODEL: RBR-100A.D:\Roberto\Documents\+HABILIS\ CERVUS FILES\+CERVUS-PROJECTS\ DODGE COMPONENTS\RBR-100A\ DODGE RAM BED RACK ADJUSTABLE\SW\SW DRAWINGS\

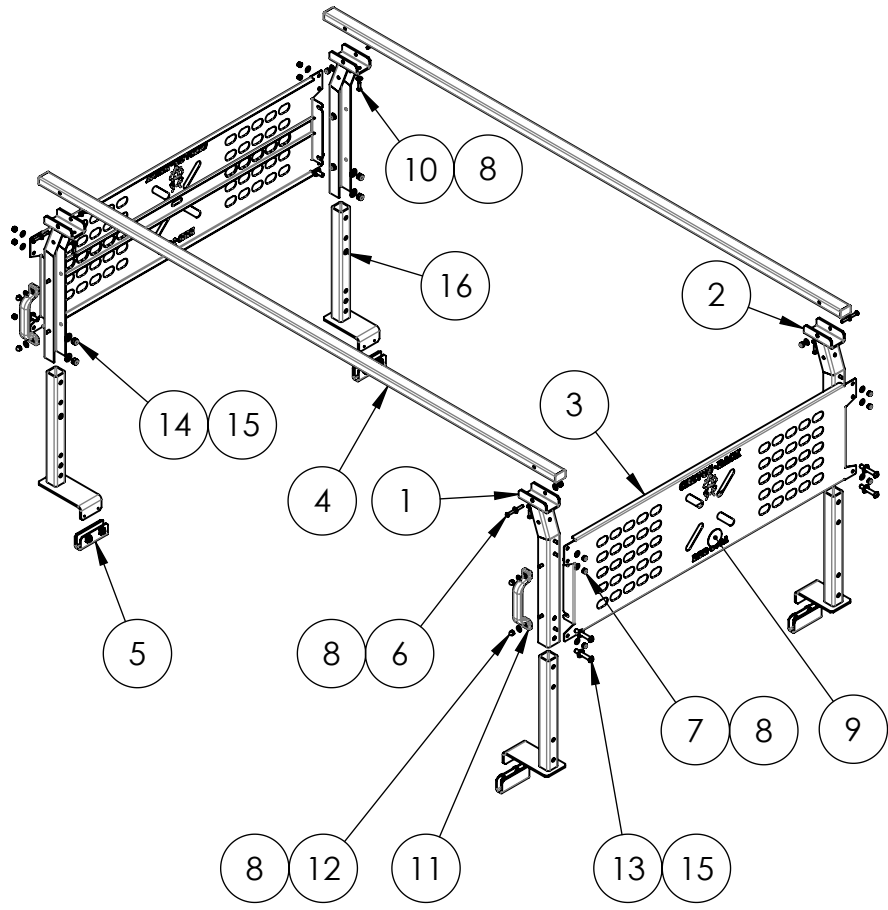


**ADJUSTABLE HEIGHT RAM RACK  
RBR-100A**



DRW: RBR-100A	DRAW BY: RV	SCALE: 1:20	PAGE:	REV.
PRJ: RAM 1500 BED RACK	APRVD BY:RV	DATE: 19/07/2021	1 OF 2	0

MODEL: RBR-100A.D:\Roberto\Documents\+HABILIS\ CERVUS FILES\+CERVUS\PROJECTS\ DODGE COMPONENTS\RBR-100A.DODGE RAM BED RACK ADJUSTABLE.SW.DRAWINGS



**ADJUSTABLE HEIGHT RAM RACK  
RBR-100A**

**RBR-100A-BOM**

ITEM NO.	PART NUMBER	DESCRIPTION	QTY.
1	RBR-200R	PILLAR ASSEMBLY	2
2	BRB-200L	PILLAR ASSEMBLY	2
3	RBR-500A	MOLLE PANEL ASSEMBLY	2
4	RBR-400A	BAR ASSEMBLY	2
5	RBR-300	CLAMP ASSEMBLY	4
6	COTS-CVS-0001	1/4-20X2-1/4" BLACK OXIDE SS BUTTON HEAD HEX SCREW	4
7	COTS-CVS-0002	1/4-20 BLACK OXIDE HEX LOCKNUT	24
8	COTS-CVS-0003	1/4"X5/8"OD BLACK-OXIDE SS FLAT WASHER	36
9	COTS-CVS-0009	STICKER	2
10	COTS-CVS-0010	1/4-20X7/8" 18-8 SS BUTTON HEAD HEX DRIVE SCREW	4
11	COTS-CVS-0018	RECTANGULAR-GRIP PULL HANDLE W THROUGH HOLES	2
12	COTS-CVS-0020	1/4-20-BLACK LOW STRENGTH 2B STEEL CAP NUT	4
13	COTS-CVS-0021	3/8-16X2-1/4" SS BUTTON HEAD HEX SCREW	8
14	COTS-CVS-0022	3/8-16 BLACK OXIDE NYLON INSERT SS LOCKNUT	8
15	COTS-CVS-0025	3/8" BLACK OXIDE SS FLAT WASHER	16
16	COTS-CVS-0054	Ø1/2" HOLE EXPANDABLE LOCKING GROMMET	4



DRW: RBR-100A	DRAW BY: RV	SCALE: 1:20	PAGE:	REV.
PRJ: RAM 1500 BED RACK	APRVD BY:RV	DATE: 19/07/2021	2 OF 2	0