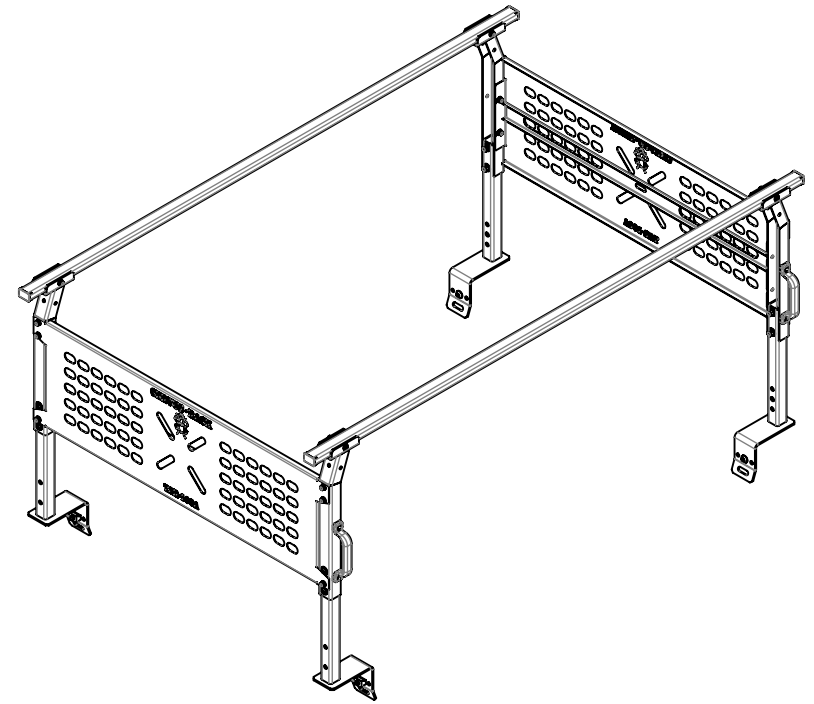
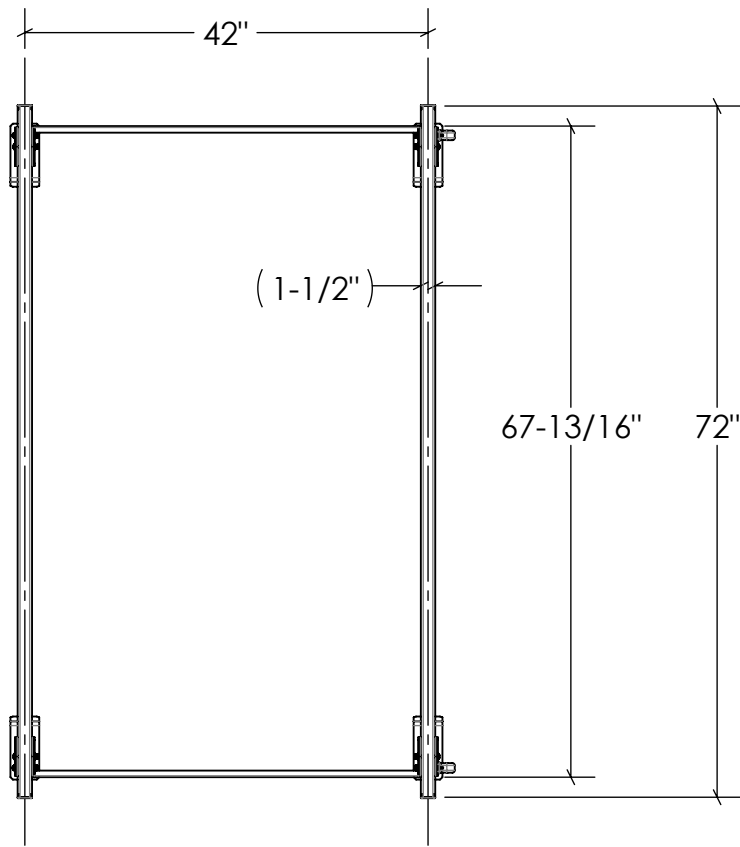
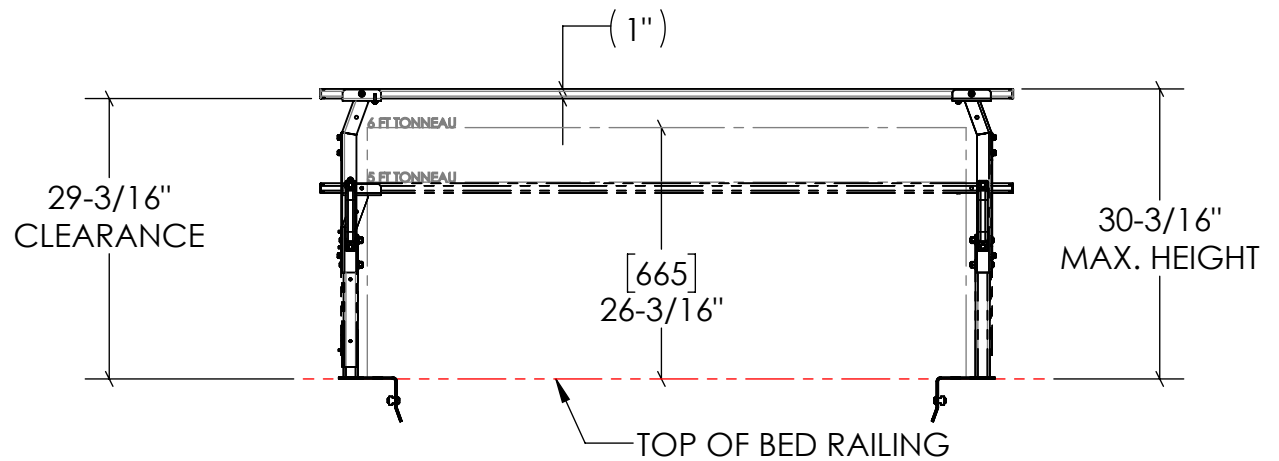
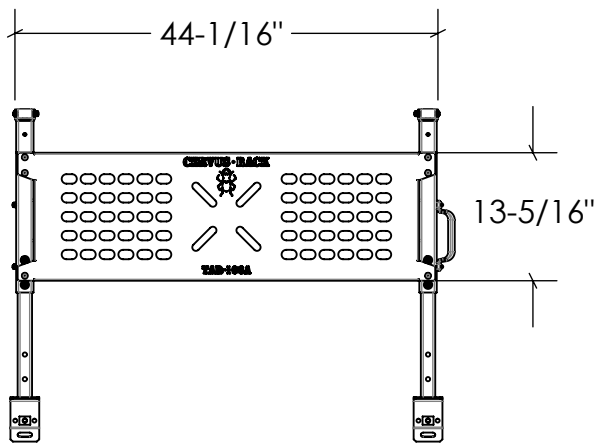


MODEL: TAR-106AD:\Roberto\Documents\+HABILIS CERVUS FILES\+CERVUS\CERVUS-PROJECTS\TOYOTA COMPONENTS\TAR-106A TACOMA ADJUSTABLE RACK (3RD GEN.)\SW\



**TAR-106A**  
TACOMA ADJUSTABLE RACK  
BLACK SANDETEX POWDER COAT



**CERVUS**®

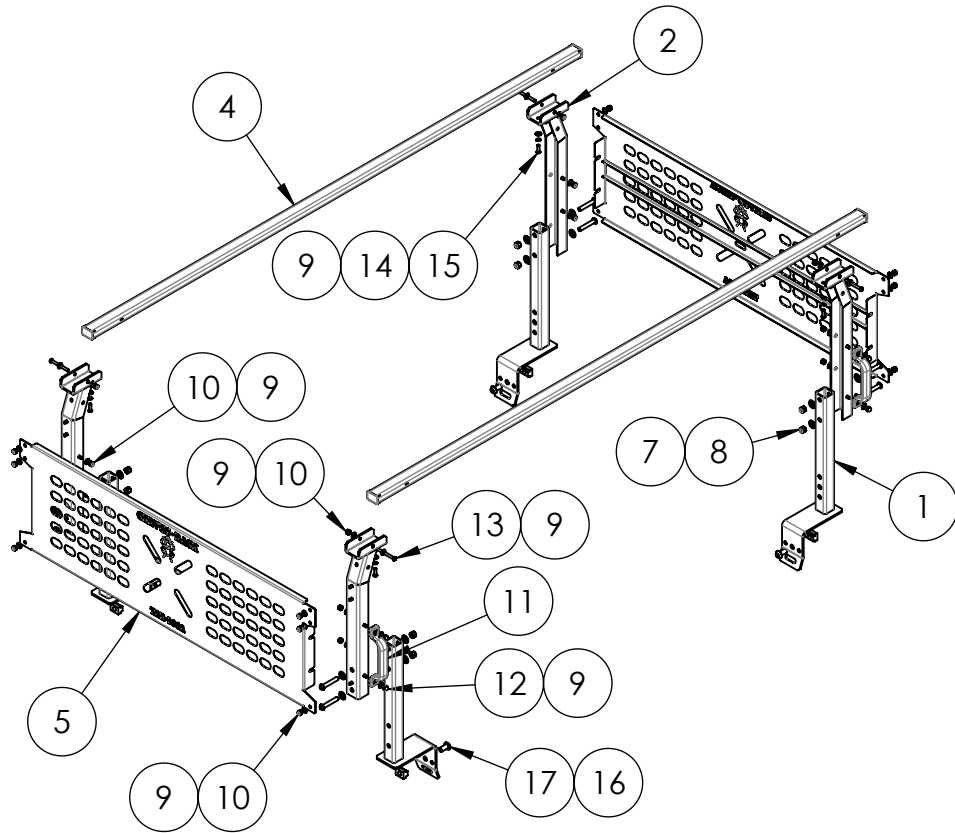
DRW: TAR-106A  
PRJ: TACOMA ADJ. RACK

DRAW BY: RV SCALE: 1:20  
APRVD BY: RV DATE: 11/12/2021

PAGE:  
1 OF 2

REV.  
0

MODEL: TAR-106AD:\Roberto\Documents\+HABILIS CERVUS FILES\+CERVUS-PROJECTS\TOYOTA COMPONENTS\TAR-106A TACOMA ADJUSTABLE RACK (3RD GEN.)\SW



**TACOMA ADJUSTABLE RACK  
TAR-106A**

**TAR-106A-BOM**

ITEM NO.	PART NUMBER	DESCRIPTION	QTY.
1	TAR-200	PILLAR ASSEMBLY	4
2	TAR-300	PILLAR SLEEVE ASSEMBLY	2
3	TAR-301	PILLAR SLEEVE ASSEMBLY	2
4	TAR-400	BAR ASSEMBLY	2
5	TAR-500	MOLLE PANEL ASSEMBLY	2
6	COTS-CVS-0021	3/8-16X2-1/4" SS BUTTON HEAD HEX SCREW	8
7	COTS-CVS-0025	3/8" BLACK OXIDE SS FLAT WASHER	16
8	COTS-CVS-0022	3/8-16 BLACK OXIDE NYLON INSERT SS LOCKNUT	8
9	COTS-CVS-0003	1/4"X5/8"OD BLACK-OXIDE SS FLAT WASHER	36
10	COTS-CVS-0002	1/4-20 BLACK OXIDE HEX LOCKNUT	28
11	COTS-CVS-0018	RECTANGULAR-GRIP PULL HANDLE W THROUGH HOLES	2
12	COTS-CVS-0020	1/4-20-BLACK LOW STRENGTH 2B STEEL CAP NUT	4
13	COTS-CVS-0057	1/4-20X2-1/2" BLACK OXIDE SS BUTTON HEAD HEX SCREW	4
14	COTS-CVS-0059	1/4 SS LOCK WASHER	4
15	COTS-CVS-0010	1/4-20X7/8" _18-8 SS BUTTON HEAD HEX DRIVE SCREW	4
16	COTS-CVS-0012	M12-1.75 FULLY THRD T-SLOT NUT	4
17	COTS-CVS-0014	M12-1.75X25 BLACK OXIDE ALLOY STEEL BUTTON HEAD HEX SCREW	4



DRW: TAR-106A	DRAW BY: RV	SCALE: 1:20	PAGE:	REV.
PRJ: TACOMA ADJ. RACK	APRVD BY:RV	DATE: 11/12/2021	2 OF 2	0