

Q1, 2026

# Coal Energy

FROM THE MINE TO THE UTILITY

## 2025 Coal Miner's Memorial

Terra Energy Center's \$1B New Coal Plant

Trump Named the 'Undisputed Champion of Beautiful Clean Coal'

# TABLE OF CONTENTS

Memorial:



**06** 2025 MINER'S MEMORIAL

World News:



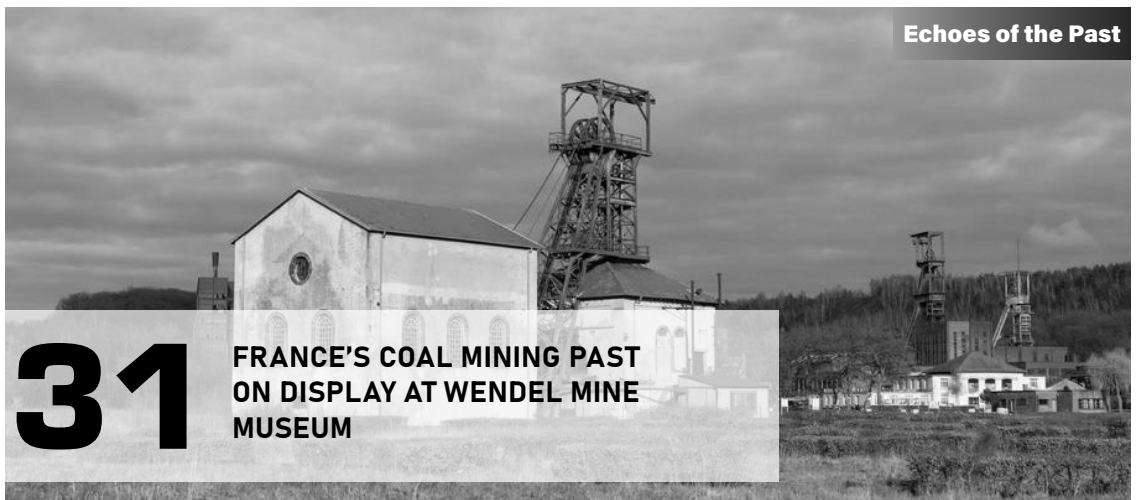
**23** POWERING PROGRESS: FIRST COAL RAKE FROM GARE-PALMA REACHES NAGPUR, SECURING MAHARASHTRA'S ENERGY FUTURE

Feature:



**24** TRUMP SIGNS EXECUTIVE ORDER, NAMED THE 'UNDISPUTED CHAMPION OF BEAUTIFUL CLEAN COAL'

Echoes of the Past



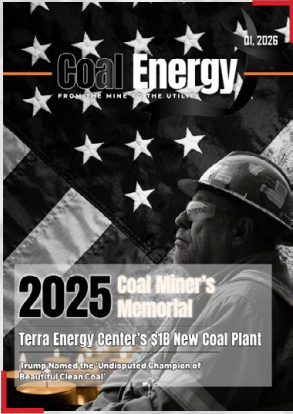
**31** FRANCE'S COAL MINING PAST ON DISPLAY AT WENDEL MINE MUSEUM

## IN EVERY ISSUE:

- 03 Letter from the Publisher
- 04 Association Comparisons
- 16 News Briefs
- 26 Association Members
- 35 Industry Events
- 36 Upcoming Issue
- 36 Index to Advertisers



# LETTER FROM THE PUBLISHER



Dear Readers,

As we close the first quarter of 2026, I'm honored to welcome you to a new issue of **Coal Energy**, one that looks forward with optimism while taking time to remember, to reflect, and to learn.

This edition contains our annual memorial, a tradition we hold with the utmost respect. This year, we honor the brave souls who lost their lives in coal mining accidents in 2025. Their courage, commitment, and pride in their work are the foundation on which this industry stands. Behind every ton of coal are men and women who face risk in service of their families, their communities, and the energy security of our nation. We remember those we lost with humility and gratitude, and we extend our deepest sympathies to their families, friends, and coworkers.

Their sacrifice is a solemn reminder of our ongoing responsibility to safety, innovation, and care for every person who goes underground or supports those who do.

In this issue, we also look to the current and future direction of coal. We feature a timely piece on how President Donald Trump has been named the "undisputed champion of beautiful, clean coal," exploring the policies, rhetoric, and legacy that continue to shape public perception and regulatory landscapes surrounding coal and its role in the broader energy mix.

Our "Echoes of the Past" section returns as well. This quarter, we travel to France, where the nation's coal mining heritage is preserved at the Wendel Mine Museum. The article offers a window into how one country has chosen to remember its mining roots, honoring the workers, chronicling the technology of earlier eras, and telling the story of communities built around the mines. It's a powerful reminder that coal history is also human history.

We are especially proud that our readership base includes members of the nation's largest and most influential coal associations. We value the insight, experience, and leadership you bring to this community of readers.

To our sponsors and advertisers, we extend a sincere thank you. Your

continued support allows us to produce in-depth features, technical coverage, historical retrospectives, and memorial content with the quality and respect these topics deserve. Your investment in this publication is an investment in informed dialogue about coal's role, risks, and responsibilities.

Finally, to you, our readers, thank you for your time, your engagement, and your trust. Whether you are a miner, engineer, executive, policymaker, educator, student, or industry partner, you are the reason **Coal Energy** exists. Your feedback, your stories, and your dedication help guide our editorial direction each and every issue.

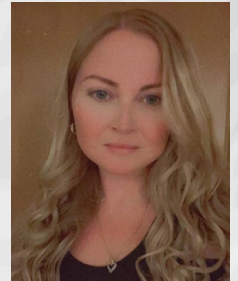
On behalf of the entire editorial and production team, I hope this Quarter 1, 2026 issue offers you information, reflection, and inspiration in equal measure.

Warmest regards,

Maria Martonick

President

Martonick Publications, Inc.



## Published & Produced By:

Martonick Publications, Inc.  
PO Box 244322  
Boynton Beach, FL 33424

Toll Free Phone: (866) 387-0967  
Toll Free Fax: (866) 458-6557

info@martonickpublications.com  
www.coalenergyonline.com

**President:**  
Maria Martonick

**Vice President:**  
Jenna Lynn

**Managing Editor:**  
A.J. Raleigh

**Contributing Writers:**  
Maria Martonick, Chris Hamilton,  
Estrella Vil, Elena Anwar, Jody  
Dodgson, Will Owen, Darrell  
Proctor, Phillip Walter Wellman.

**Graphic Designer:**  
Abdalla Mansour

*COAL ENERGY IS INDEPENDENTLY PUBLISHED, AND IS NEITHER AFFILIATED WITH OR ENDORSES ANY INDIVIDUAL ASSOCIATION.*  
THE OPINIONS EXPRESSED BY THE AUTHORS OF THE ARTICLES CONTAINED IN COAL ENERGY ARE THOSE OF THE RESPECTIVE AUTHORS, AND DO NOT NECESSARILY REPRESENT THE OPINION OF THE PUBLISHER. © COPYRIGHT 2026

# Association Comparisons



[www.nma.org](http://www.nma.org)

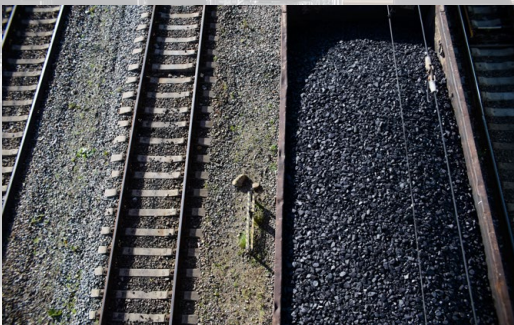
## NATIONAL MINING ASSOCIATION (NMA)

### Mission:

The NMA's mission is to build support for public policies that will help Americans fully and responsibly benefit from our abundant natural resources. Our objective is to engage in and influence the public process on the most significant and timely issues that impact mining's ability to safely and sustainably locate, permit, mine, transport and utilize the nation's vast resources.

### NMA SERVES ITS MEMBERSHIP BY:

- Promoting the safe production and use of coal and mineral resources
- Establishing a strong political presence in the Nation's Capital
- Serving as the information center for and a single voice of U.S. mining
- Addressing the current and future policy needs of U.S. mining, mining equipment manufacturers and support for services members of NMA



[www.movecoal.org](http://www.movecoal.org)

## NATIONAL COAL TRANSPORTATION ASSOCIATION (NCTA)

### Mission:

The mission of the NCTA is to provide education and facilitation for the resolution of coal transportation issues in order to serve the needs of the general public, industry, and all modes of transportation. This is accomplished through the sponsoring of educational fora and providing opportunities for the lawful exchange of ideas and knowledge with all elements of the coal transportation infrastructure.



[www.asrs.us](http://www.asrs.us)

## AMERICAN SOCIETY OF RECLAMATION SCIENCES (ASRS)

### Mission:

ASRS's mission is to represent and serve a diverse international community of scientists, practitioners, private industry, technicians, educators, planners, and government regulators involved in mineral extraction and disturbed ecosystem reclamation.

ASRS promotes the advancement of basic and applied reclamation science through research and technology transfer in the Society's annual meetings, workshops, published proceedings, newsletters, Reclamation Matters publication, Reclamation Sciences, and the ASRS website.



[www.acaa-usa.org](http://www.acaa-usa.org)

## AMERICAN COAL ASH ASSOCIATION (ACAA)

**Mission:**

The ACAA advances the management and use of coal combustion products in ways that are environmentally responsible, technically sound, commercially competitive and more supportive of a sustainable global community.



[www.americancoalcouncil.org](http://www.americancoalcouncil.org)

## AMERICAN COAL COUNCIL (ACC)

**Mission:**

American Coal Council (ACC) provides relevant educational programs, market intelligence, advocacy support and peer-to-peer networking forums to advance members' commercial and professional development interests.

ACC represents the collective interests of the American coal industry in advocating for coal as an economic, abundant and environmentally sound critical resource.

ACC serves as an essential resource for industry, policy makers and public interest groups. The Association supports activities and objectives that advance coal supply, consumption, transportation and trading.



## FUTURECOAL

FutureCoal represents industry leaders, committed to building a sustainable future for global coal.



[www.alltricitynetwork.org](http://www.alltricitynetwork.org)

## ALLTRICITY NETWORK

**Mission:**

**Preparing the electric utility industry for the future through education and networking.**

Since 1903, Alltricity Network has been a member-driven association. Employees from member companies shape the organization by serving on Education Committees, presenting at events, contributing to publications, and sharing meaningful feedback.

This member-driven approach fuels our growth, as members advocate for the association by bringing colleagues to events, where they discover valuable content and a supportive community. Electric utility professionals rely on Alltricity Network for the resources and insights they need to succeed. Through collaboration and shared expertise, members advance the industry and prepare for the future together.

# 2025 MINER'S MEMORIAL

*Special Thank You to our  
Current Sponsors:*

**PLATINUM**

**Amsted Rail**

**K KENNAMETAL**

**SILVER**

 **The Baughan  
Group**

 **PHILLIPS  
GLOBAL**  
A Member of The Baughan Group





## Joshua R Mock, 34 (1990 – 2025) *Quintana Capital Group GP, Ltd.*

Mock, Joshua, 34, Windber, tragically passed away after an accident when he was pinned between the mobile bridge carrier and the coal rib on January 10, 2025. Born March 29, 1990 in Altoona. Son of Sherry (Mock) and James Dayton.

Preceded in death by maternal great grandparents, Avery Mock, 1st wife Isabel Logue, 2nd wife Leona Lugar; Teresa Walling, 1st husband Edwin Gleissner, 2nd husband John Walling; paternal grandmother, Delores Dayton; maternal uncle, Daniel Mock; also, by infant brother-in-law, Issac Hunter.

Survived by loving parents; loving wife, Kaitlyn Jo (Hunter) and children, Isabella Mattis and Beau Mock; brother, Andrew Mock; sister, Laikyn Dayton; maternal grandparents, Perry and Gloria Mock; uncle, Brian (Emily) Mock; cousins, Avery Mock, Shannon (Kristy) Mock, Danielle (Brian) Bachorz, Chris (Donna) Mock, Jessica Yeager, Allison Dayton, Brittany (Jesse) Spory, and many many more; mother and father in laws, Dorothy and Brian Bowser; Derek and Melissa Hunter; sister in laws, April Boyer (Jake Hall), Ashlee Boyer (Jay Perry), Megan Wahl, and Taylor Wahl; grandparent in laws, Debbie and Irv Hunter; great grandma in law, Jan Seese; aunt, Kelly (Jason) Ott; nieces, Jolynn and Jaden; also by nephew, Jacob.

Joshua is leaving behind an incredible village of friends that were also his family. Friends that stuck through the good, bad and illegal. He is also leaving behind his beloved pets Oscar, Edgar, Blake and reuniting with Smokey and Sadie. Josh was a kind, loving soul who lived life to the fullest, worked hard and played just as hard. He was a loving dedicated dad to Beau and Bella, loved his wife with his whole heart and soul, and was a proud family man. He never took an easy job which included landscaping, asphalt paving, truck driving, fracking, coal mining, and was so proud to be a blue-collar man. He always said dirty hands, clean money. He was an avid Steelers and Penguins fan, he loved being outdoors ripping in his side by side, and he never turned down a cold miller lite. To his wife's dismay, his favorite holiday was Christmas and as soon as the turkey was eaten, the tree went up. He spent plenty of nights playing xbox with friends. Kaitlyn and Josh promised each other that they'd love each other in this lifetime and find each other in the next one.



**Billy Shawn "Latino" Stalker, 46  
(1978 – 2025)**  
*Alpha Metallurgical Resources, Inc.*

Billy Shawn "Latino" Stalker, 46 of Elkhorn City, KY passed away on February 28, 2025 in Whitesville, WV, when a portion of rib rock fell on him. Billy was a coal miner. He was born April 27, 1978 in Pikeville, KY to Sadie Adams Stalker and late Billy Clayton Stalker. In addition to his father, Billy was preceded in death by a brother, James Clayton Stalker.

Besides his mother, Billy is survived by his wife, Bridgett Ann Adkins Stalker of Elkhorn City, KY; sons, Austin Dale Moore and Jackson Tyler Adkins both of Elkhorn City, KY, Nicholas Shawn Stalker of Pikeville, KY, Matthew Clayton Stalker and Logan Ryan Stalker both of Atwater, OH, and Clayton James Stalker of Ashcamp, KY; one daughter, Bailee Annison Stalker of Elkhorn City, KY; and two granddaughters, Maci Leeann Moore and AnnaBella Rose Stalker. He is also survived by one sister, Tammy O'Quinn of Mechanicsburg, OH.





## Joseph "Joey" Dane Mitchell, 25 (2000 – 2025) *Alliance Resource Partners, LP*

Joseph "Joey" Dane Mitchell, 25, of Kingwood, WV, passed away on November 6, 2025, as the result of a tragic mining accident.

Born on October 23, 2000, in Morgantown, Joey was the beloved son of Joseph Leroy Mitchell (Bobbi) of Kingwood and Stephanie Dawson.

A 2020 graduate of Preston High School, Joey worked as a scoop operator at Mettiki F Mines in Tucker County. He was proud of his work, a dedicated worker who wasn't afraid to get his hands dirty, and a true friend to those who labored beside him.

Joey had a deep love for building derby cars and could often be found in the garage, covered in grease and grinning from ear to ear, working on his next project. He lived for the thrill of demolition derbies, where his determination and excitement shone brightest. Joey also loved football and basketball, whether he was playing, watching, or just talking about the next big game.

Those who knew Joey will never forget his quick wit, goofy sense of humor, and infectious laugh. He had a gift for making people smile — even on their hardest days — and his

presence could light up any room.

In addition to his parents, Joey is survived by his brother, Zachary Mitchell, at home; his grandmothers, Barbara Myers of Morgantown, and Shirley Petitt of South Dakota; his girlfriend, Madison Murray, who brought so much joy to his life; his uncles and aunts, Tyler Wagner (Lisa) of Newburg, Adrienne Goodwin of Terra Alta; his best friend, Bryson Valentine; close cousins, Krista Pingley (Daniel), Garrett Goodwin, Ethan Wagner, Bryson Wagner, Payton Wagner, and Ashlynn Wagner; and many additional family members and friends.

He was preceded in death by his grandparents, Gary and Patty Mitchell, who surely welcomed him with open arms.

Joey's life was full of laughter, hard work, and love — and though his time here was far too short, the memories he created will live forever in the hearts of all who knew him.



**Robert Martin White, 63**  
**(1962 – 2025)**  
*Coronado Coal, LLC*

Robert Martin White Jr., of Dingess, WV passed away on December 18, 2025, at the age of 63, after he was pinned between a tractor and the steel arch support wall. Born December 4, 1962, the son of the late Robert Martin White Sr. and Tilda Dempsey White. Robert dedicated 45 years of his life as a coal miner. During his career he worked for many companies, he spent much of his career with Excel and Coronado.

Robert was happily married to Tresa Gail White for 42 years. He was a member of the Fellowship Riders, and he found joy in motorcycles, hunting, fishing, and spending time with his family. His girls and grandchildren were his world. He was preceded in death by his parents, brother Bruce White, and sister Rosie White, Mother and Father-in-law Wallace and Jean Meade, and Sister-in-law Revina Newsome.

Those left to cherish his memory include his loving wife, Tresa of Dingess, Wv; daughters, Jessika (Josh) Powers of Fort Gay, Wv, Andrea (Sam) Long of Lexington, Ky, and Victoria (Doug) Kirk of Belfry, Ky; and grandchildren, Jodah, Jensen, Jolie, Reece,

and August. He is also survived by sisters; Barbara Todd, Charlene Mullins, and Ashley Townsend, Patty Murphy, Debby Brewer, special brother-in-law's and sister in law's, he leaves behind a host of nieces and nephews.





## Steven Allen Fields, 55 (1969 – 2025) *Lexington Coal Company, LLC*

Steven Allen Fields, born on August 13, 1969, in Logan, West Virginia, passed away on January 29, 2025, when rock fell from a highwall and struck the cab of the drill he was operating.

Steven was a devoted husband to Tammy (Baxter) Fields and a loving father to his sons Justin Baxter and Paul Fields, and his stepdaughter Anna Browning. He found immense joy in being “Papaw” to his cherished grandchildren Dominic Baxter, Gracie Fields, and Éloïse Christiaen-Browning, and was over the moon about the impending arrival of another granddaughter, Stephanie Fields (named in his honor).

He was the beloved son of Brenda Smith Fields and Robert “Bob” (Debbie) Fields Sr., and a caring brother to Angela “Angee” Fields and Melissa “Missy” Fields (his lifelong friend Mike George), as well as his step-sister Brandie (Ralph) Davis-Perry. He held a special place in his heart for his nieces and nephews — Salena (Brandon) Robinette, Molly Runyon (Rob Ballentine), Robert “Bobby” Fields III, and Derek Fields — and his great-niece and great-nephew, Brayden Robinette and Sydni Ballentine. He also cherished his Aunt Merry Smith and his cousins Dale and Emma Smith, along with many other dear

cousins, aunts, uncles, coworkers, and friends.

Steven was preceded in death by his brother Robert Fields Jr., nephew Kyle Scott Fields, uncle Darrell Smith, maternal grandfather Ballard Smith, and paternal grandparents Mearle Fields and Molly (Spaulding) Fields.

A hardworking man with an unwavering work ethic, Steven dedicated his career to operating heavy machinery in the coal mining industry. His steadfastness at work mirrored the commitment he brought to all aspects of his life.

Those who knew Steven will remember him as a husband, father, papaw, son, brother, uncle, and friend — a man who deeply valued family above all else. His warmth and sense of humor left a lasting impression on everyone fortunate enough to know him. Steven’s memory will live on through the love he shared with family and friends.



**Edward J Blomquist, 73**  
**(1951 – 2025)**  
*Charles C Ungurean*

Edward Blomquist, a 73-year-old passed away on February 12, 2025, when the ground beneath the drill he was positioning failed, causing the drill to fall off the highwall.

Born on December 5, 1951, in Minneapolis, MN, Ed lived a life full of service, dedication, and passion for the things he loved. Ed began his career at IBM, where he contributed his skills and expertise before answering the call to serve his country. He proudly served in the United States Army, where he was stationed at Walter Reed Medical Center. His dedication to excellence and service defined both his professional and military careers. Beyond his work, Ed was an avid sports enthusiast, always cheering for the Minnesota Vikings and Twins with unwavering loyalty. His love for baseball and the friendships he built along the way brought him great joy.

Ed was preceded in death by his beloved parents, Marie and Lawrence Blomquist, as well as his twin brother, John Blomquist. He is survived by his devoted siblings: Janet Condon of Minneapolis, MN; Gary Blomquist of Austin, TX; and Joyce Hanson (spouse Gary) of Brick, NJ. He is also survived by

his children, David Blomquist of St. Clairsville, OH, and Molly Blomquist of Panama City Beach, FL.

Ed will be deeply missed by all who knew and loved him. His kindness, sense of humor, and unwavering loyalty will never be forgotten.





**Eric Alan Corbet Bartram, 41**  
**(1983 – 2025)**  
*Alpha Metallurgical Resources, Inc.*

Eric Alan Corbet Bartram, 41, of Chapmanville, WV, died on August 26, 2025, from a fatal accident at his worksite at Marfork Preparation Plant in Raleigh County, WV.

He was born August 27, 1983, at Charleston, WV, the son of Bill and Sharon Christian of Chapmanville, WV, and Ron Bartram of Charleston, WV.

He was preceded in death by his maternal grandparents, Garnet Jarrells and Robert Adkins; and his paternal grandparents, Milton and Eloise Bartram.

Mr. Bartram was employed with Alpha Metallurgical Resources. He attended the West Logan Church. He was a 2001 graduate of Chapmanville High School where he was a 3-sport athlete, playing football, baseball, and basketball. After graduation, he continued his education and sports career at Concord University as a football player. Eric was inducted into the Chapmanville High School Hall of Fame in 2018.

Eric was a 32nd degree Scottish Rite mason and a member of the Aracoma Lodge #99 A.F. & A.M. in Logan, WV. He was also a member of the Ancient and Accepted Scottish Rite

Mason's Valley of Logan and Charleston, the Logan 41 Royal Arch Masons, the Logan Commandery 26 Knight Templar both in Logan, the Royal Order of Jesters Court 111 in Charleston, and he was a proud noble of the Beni Kedem Shrine Temple in Charleston where he was serving on the Divan. Eric was also a faithful and dedicated member of the Logan Shrine Club where he served as secretary for several years. He was also a member of the Sons of the American Legion Post 19 in Logan.

Aside from his accolades and accomplishments, Eric cherished the time he spent with his family and coaching his daughter in softball.

In addition to his parents, Eric is survived by his wife, Lori Mullins Bartram; his children, Brooklyn Bartram, Jonah Perry, and Jozi Perry; one brother, Bill (Melissa) Christian; and Brooklyn's mother, Tina Bartram all of Chapmanville, WV. Additionally, Eric leaves behind a host of nieces, nephews, cousins, and countless friends.



## Steven Matthew Lipscomb, 42 (1982 – 2025) *Alpha Metallurgical Resources, Inc.*

Steven Matthew Lipscomb, 42, of Elkview, West Virginia, departed this life on November 13, 2025. He left this world the way he lived his life, putting others first.

Steve, as he was affectionately known, was born November 28, 1982, in Charleston, West Virginia and was a lifelong resident of Elkview. He graduated from Herbert Hoover High School, class of 2001, where he was a member of the football & wrestling teams.

When America came under siege on September 11, 2001, Steve, along with lifelong friend, Larry Conn, Jr., proudly enlisted in the United States Marine Corps as Rifleman. He was among the first wave of Marines to enter Fallujah, Iraq, as part of Operation Iraqi Freedom.

Steve served with honor and distinction. He was a decorated Marine and was awarded a Purple Heart for his heroic actions after being severely injured by a roadside bomb while serving in Iraq. He spent an extensive amount of time recovering abroad, later returned to the United States for further recuperation and returned to his beloved West Virginia.

Lance Corporal Steven Lipscomb was honorably discharged from the United States Marine Corps and along with his Purple Heart medal other military awards and citations include, Combat Action Ribbon, Marine Corps Good Conduct Medal, National Defense Service Medal, Global War on Terrorism Expeditionary Medal, Global War on Terrorism Service Medal, Navy Sea Service Deployment Ribbon, Rifle Marksman Badge, and Pistol Marksman Badge.

After returning home from serving his country, Steve found the love of his life, Heather Archer. The two were soon married, and together they built a beautiful life filled with devotion and love. Steve's greatest joy came from raising their two daughters, Greer and Stella.

His heart was his family and nothing brought more joy than spending time with them. He loved entertaining them with his crazy antics, having family vacations to the beach, and watching the pelicans as they went about their daily activities.

Steve accepted Jesus as his Savior at Mt. Pleasant Baptist Church's Judgment House in October 2006, was later baptized, and faithfully served as an usher for the church.

He began his underground mining career in 2006 with Massey Energy (Alpha Natural Resources) where he worked alongside his brother, Joseph, for several years. Steve built a distinguished career and earned the deep respect of his fellow miners, working his way up to become a foreman in 2015 and an EMTM in 2016, a specialized training that allowed him to provide emergency medical care within the high-risk environment of underground mining. In these roles, he put his life on the line multiple times in heroic efforts to help save the lives of others.

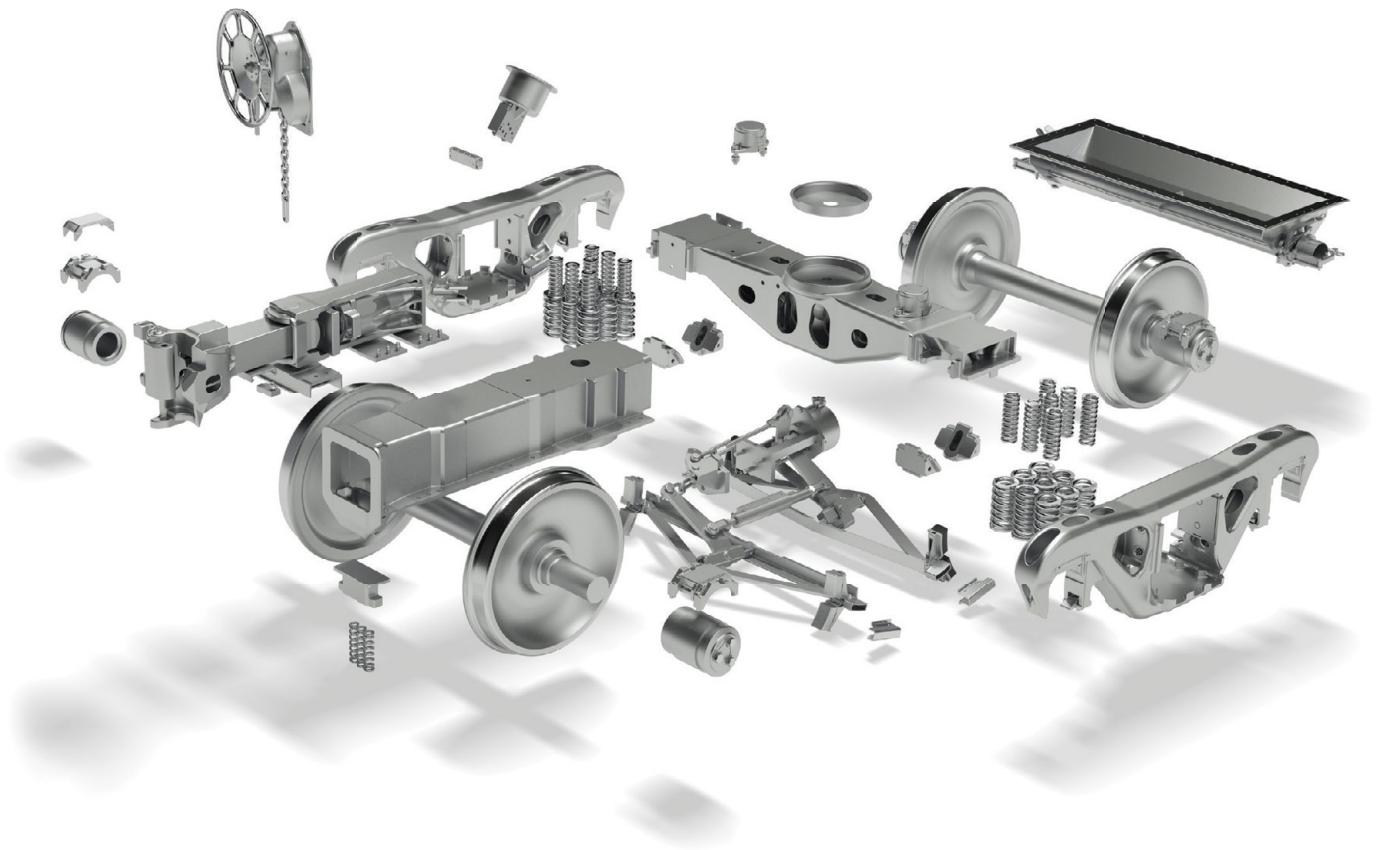
He approached every aspect of his life with exceptional character; loving and protective of his family, always putting others first, and showing deep devotion in his love of his country and for God. He carried himself with unwavering humility in all that he did.

Along with his wife, Heather, of 20 years and their children Greer and Stella, those left to cherish Steve's memory include brother, Joseph (Kelly), sister, Marie (Dana), grandmother, "Mimi" Tanner, mother, Meleea Dean, father, Joe Lipscomb, mother-in-law, Cindy Archer, sister-in-law, Amber (Terry) as well as many beloved aunts, uncles, nieces, nephews, cousins, extended family and a host of friends. Steve was preceded in death by his stepfather, Charlie Hodges, whom he considered, Dad and his father-in-law, John Archer, Jr.

Steve left this world a hero, but to those who knew him, he was a hero every day, living his life Semper Fi Marine.

# MORE THAN PARTS. PERFORMANCE.

Amsted Rail, the global leader in fully integrated freight car systems for the heavy haul rail market.



## TRAIN SMARTER

FREIGHT | TRANSIT | DIGITAL

**Amsted Rail**<sup>®</sup>

[amstedrail.com](http://amstedrail.com)



*U.S. Sen. Shelley Moore Capito told coal industry leaders that permitting reform could become a reality by the end of 2026.*

## Capito Speaks at Final Day of W.Va. Coal Association Mining Symposium

**C**HARLESTON – U.S. Sen. Shelley Moore Capito told leaders of the coal industry in West Virginia that real work towards permitting reform could make it out of Congress before the end of the year.

Capito, R-W.Va., addressed attendees on the final day of the West Virginia Coal Association's Annual Mining Symposium and Coal Show at the Charleston Coliseum and Convention Center.

Capito, fourth in the leadership of the U.S. Senate's Republican caucus and chairwoman of the Senate's Environment and Public Works Committee, said Wednesday that permitting reform for energy projects remains a major priority for her and other members of Congress.

**"The other thing I've been working day and night on, and I hope I'm very successful because I think it'll be great for coal and coal mining and really all energy development, is permitting reform,"** Capito said.

**"You all know what a nightmare permitting is at the federal level,"** she continued. **"It's just provision upon provision. It's expensive. It stalls out projects, people abandon projects, or they don't even invest in projects because they don't have the certainty that it's going to happen."**

Capito said that a rare convergence of

bipartisan interest in both the Senate and House of Representatives is being driven by a national **"energy hunger"** and a lack of transmission infrastructure.

**"All of a sudden, we've got the Democrats and the Republicans sitting at the table together for one thing, permitting reform,"** Capito said. **"We have a lack of transmission, which is a problem all around the country. We have a great appetite for transmission and electric power."**

Reforms being looked at include streamlining the National Environmental Policy Act process; limiting the ability of courts to indefinitely stall permitted projects; reforming provisions within the Clean Water Act and Endangered Species Act that are viewed as obstructions to development; and addressing issues that upend projects, such as the discovery of historic artifacts.

**"I think we can do it in the next three months,"** Capito said. **"It may wait to the end of the year. I hope not. It's going to get very political here ... if it's not already."**

The Annual Mining Symposium began, featuring U.S. Sen. Jim Justice and 2nd District Congressman Riley Moore.

**"Great to join industry leaders today at the West Virginia Coal Associ-**

**ation's Annual Mining Symposium in Charleston – where the future of American energy is being shaped,"** said Moore, R-W.Va., in a social media post. **"Coal built West Virginia and still powers our nation. I'm proud to stand with our miners, support a strategic coal reserve and fight to unleash American energy dominance."**

**"West Virginia is a coal state through and through, and I could not be more proud of our hardworking energy producers,"** said Justice, R-W.Va., in a statement.

Justice is the owner of multiple coal mining companies that have faced scrutiny over the years for unpaid loans, tax debts, lawsuits by vendors and outstanding federal mine penalties.

**"Attending the West Virginia Mining Symposium ... gave me the opportunity to hear directly from the men and women who keep this industry running, and to better understand just how I can keep fighting for West Virginia coal jobs and our miners in Washington,"** Justice said. **"These folks work their tails off and power our country every single day, and I'll always have their backs."**



# OSMRE Celebrates 10 Years of Investments in Coal Country to Fuel Jobs and Economic Growth

By: Jody Dodgson

*The Office of Surface Mining Reclamation and Enforcement has announced the issuance of US\$134 million in fiscal year 2026 funding through the Abandoned Mine Land Economic Revitalisation, or AMLER, Programme, marking a decade of investment in coal communities working to rebuild and redefine their local economics*

Since its launch in 2016, AMLER has helped transform legacy coal mining sites into drivers of economic opportunity, supporting workforce development, infrastructure, energy projects, and community-led redevelopment across Appalachia and tribal lands. This year's funding continues that momentum, with states and tribal partners leading project selection to ensure investments reflect local priorities and deliver lasting impact.

**“When I was overseeing the Abandoned Mine Lands Programme as Chief for the Ohio Department of Natural Resources, I saw firsthand that this funding was critical for communities”** said Acting Assistant Secretary of Lands and Mineral Management Lanny E. Erdos.

**“AMLER gives states the ability to do more than reclaim land. It gives them the ability to invest in what**

**comes next. As the director of OSMRE, I see the full scale of this programme. AMLER projects are creating jobs, building infrastructure, and opening doors for communities. That is what makes this programme so important. It is not just about restoring land; it is about restoring opportunity for coal communities that have powered this country for decades, providing the baseload energy that has kept the lights on.”**

## FY26 AMLER funding allocation

For FY26, AMLER funding is allocated as follows:

- US\$29.5 million each for Kentucky, Pennsylvania and West Virginia.
- US\$11.25 million each for Alabama, Ohio, and Virginia.

- US\$3.917 million each for the Crow Tribe and Navajo Nation.
- US\$3.916 million for the Hopi Tribe.

Eligible states and tribes collaborate with community and economic development partners to identify high-impact projects, ranging from energy infrastructure to manufacturing, recreation, and commercial redevelopment.

## From reclamation to revitalization

Over the past decade, AMLER has supported over 300 projects that reflect the unique needs and opportunities of each community. Projects range from industrial development and workforce training to tourism and critical infrastructure.

Some standout examples include:

- Anthracite Outdoor Adventure Area (AOAA), Bear Valley Project, Northumberland County, Pennsylvania: Supported through Pennsylvania's AML and AMLER programmes, this nationally recognised project transformed 88 acres of abandoned mine land into a destination for outdoor recreation. The project reclaimed six legacy mining hazards and constructed more than 6600 ft of specialised rock-crawling trails designed for off-road vehicles. Today, the site draws visitors from across the region, supporting tourism and demonstrating how reclaimed mine lands can be reimagined as engines of local growth.
- Shonto Hotel Development, Shonto, Navajo Nation: Supported by AMLER funding, this project is transforming a 10-acre site into a new hotel that will expand economic activity, create jobs, and increase tourism in the region. By combining Tribal leadership with public and private investment, the project re-

flects a locally driven approach to economic development and long-term sustainability.

- Leonard Lawson Cancer Centre at Pikeville Medical Centre, Pike County, Kentucky: AMLER investments supported the renovation and expansion of a regional cancer treatment facility, improving access to advanced care for patients across Eastern Kentucky and Central Appalachia. The project upgraded medical equipment, expanded treatment capacity, and enhanced patient services. Since opening, the center has delivered high-quality care closer to home while creating jobs and serving as a critical source of support for patients and families navigating cancer.

ues to address dangerous legacy mining features, such as unstable highwalls, mine fires, and polluted waterways, while unlocking the economic potential of these lands. By pairing reclamation with economic development, AMLER is helping communities turn past challenges into new opportunities.

### A decade of impact

Over ten years, AMLER has evolved from a pilot programme into a cornerstone of federal investment in coal communities, supporting projects that reclaim land while building the foundation for future growth. The programme contin-



# US EPA APPROVES WYOMING'S CCR PERMIT PROGRAMME

The US Environmental Protection Agency (EPA) has announced the final approval of Wyoming's partial coal combustion residuals (CCR) programme. This will allow Wyoming, rather than the federal government, to permit CCR disposal in surface impoundments and landfills.

By: Will Owen



**“This approval is cooperative federalism in action”,** said EPA Administrator Lee Zeldin. **“By empowering state experts to manage their own resources, landscapes, facilities, and communities, Wyoming will use its local expertise to protect the environment and promote economic growth. This approv-**

**al highlights how collaboration between EPA and states can drive American energy growth, generate employment, and Power the Great American Comeback.”**

CCR is produced primarily as a byproduct from burning coal in coal-fired power plants. The EPA worked closely with Wyoming to assess the state's programme application, gaining insights into how the state will implement its programme within its borders. After reviewing Wyo-

ming Department of Environmental Quality's application, the EPA determined that its application meets the standards for approval. With this approval, Wyoming is the fifth state in the nation, joining Oklahoma, Georgia, Texas, and North Dakota, to take control of its CCR permitting and oversight.

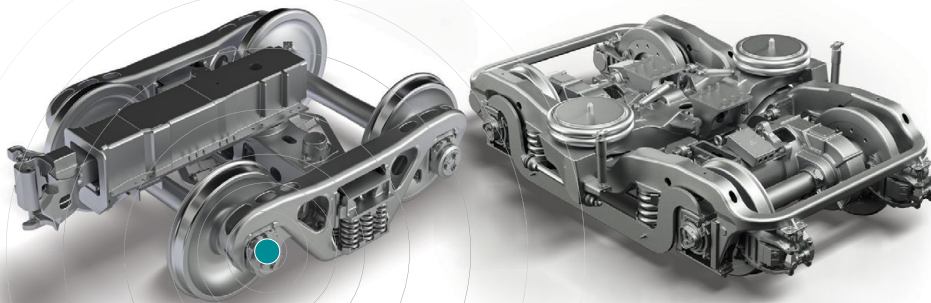
Unmatched scope of **INTEGRATED** systems

**GLOBAL** leaders in reliability

IoT platform drives fleet **VISIBILITY**

Performance-driven **SOLUTIONS**

A century of **INNOVATION**



## TRAIN SMARTER

FREIGHT | TRANSIT | DIGITAL

[amstedrail.com](http://amstedrail.com)

**Amsted Rail**



# Coal Emissions Capture Company Eco Green Delivers on Promise of Clean Coal

***Carbon capture cleans 96 percent of GHG gas and waste product fly ash is transformed into fibers for textiles or homes***

**P**OTOMAC FALLS, Va. – Eco Green Solutions ([www.ecogreensolutions.io](http://www.ecogreensolutions.io)) and its sister company GCS Fibers ([www.gcsfibers.com](http://www.gcsfibers.com)) are relocating manufacturing and operations to the U.S., with a site selection team considering coal states Pennsylvania, West Virginia and Virginia as the final locations. The founder says the new operation will create as many as 500 good-paying U.S. jobs. State Economic Development Authorities are encouraged to provide final bids.

Eco Green Solutions (EGS) delivers a high-efficiency, multi-pollutant emissions capture system from coal plants that strengthens U.S. industrial capacity, supports domestic energy production, and unlocks valuable American resources from legacy waste streams. The resultant coal fly ash is now being converted to synthetic fibers for textile and housing insulation needs from the waste product. Energy companies like Dominion and Duke Energy and home builders associations like NAHB call it the “**best rock wool or mineral fiber**” product available for commercial re-use.

Coal ash disposal is a massive environmental and public health issue in the U.S., representing one of the nation’s largest industrial waste streams. With over 1,400 disposal sites in 45 states, over 90% of monitored coal ash ponds may be leaking toxic metals into groundwater.

The Trump Administration delayed mandatory clean up of coal ash deposits for 33 months with an extension to monitor coal ash holding ponds or reduce the ash on-site.



According to Ato Andoh, an 11-year member of the U.S. Marine Corps and CEO of the company, who served in Operation Iraqi Freedom: **“The EGS technology provides a cost-effective way for energy and manufacturing facilities to reduce operational liabilities, meet federal performance requirements, and enhance long-term reliability—with minimal regulatory burden or disruption.”** His capture and fiber production firms can convert the waste product.

By transforming industrial by-products into valuable mineral fibers and supporting rare-earth element recovery from waste streams, EGS contributes directly to U.S. critical-minerals independence, and American supply-chain resilience, without relying on China.

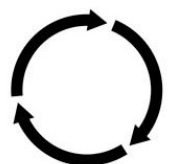
Chris Hamilton, president and CEO of the West Virginia Coal Association, who was recently appointed to the National Coal Council by Energy Secretary Chris Wright said: **“These Eco Green Solutions and GCS Fibers innovations can really transform our coal industry and general energy sector landscape.”**

Coal combustion residuals or CCR include fly ash which is the primary ingredient for the fibers business. According to the American Coal Ash Association’s Coal Combustion Product Production & Use Survey Report, nearly 130 million tons of coal ash was generated in one year. Fly ash is a very fine, powdery material composed mostly of silica made from the burning of finely ground coal in a boiler.

According to the Environmental Protection Agency, reusing CCR can create many environmental, economic, and product benefits including:

- **Environmental** - reducing greenhouse gas emissions, lowering need for disposing in landfills, and reducing use of other materials.
- **Economic** - lowering costs associated with CCR disposal, increasing revenue from the sale of CCR, and savings from using CCR in place of other, more costly materials.
- **Products** - generating fibers like rock wool derived from the ash, that have improved strength, durability, and become strong synthetic polymers.

The Eco Green company and GCS Fibers have thus far been funded by their member owners and a cryptocurrency ecosystem called the ASH DAO | Ash Token, which uses its transaction fees to provide grants to companies that have proven innovations with high impact, create jobs, and help the environment.



**Chris Hamilton**

*President and CEO of the West Virginia Coal Association*

**“We are ready to take on new investors,”** said Andoh, who noted it will take 6-months to operationalize the cupola furnace and fiber conversion plant in America. The cost for relocating from Asia to the U.S. is estimated at \$20 million.

Andoh served as Contracts and Procurement Analyst and Assistant Director for Small Business Programs at the Defense Threat Reduction Agency (DTRA) following his USMC service.

By: Darrell Proctor

## South Korean Groups Backing New 1.25-GW Coal-Fired Power Plant in Alaska

A fact sheet published by the U.S. Dept. of the Interior notes a \$1-billion agreement between Hyundai Heavy Industries Power Systems and developers of the proposed 1.25-GW Terra Energy Center, a new 1.25-GW coal-fired power plant in Alaska. Officials on March 16 said the Terra Energy Center would be the first new coal-fired station built in the U.S. in more than a decade.

The Interior Dept. said the in-principal deal for an order of boilers for the facility is one of several energy-related agreements discussed during the recent Indo-Pacific Energy Security Ministerial and Business Forum in Tokyo, Japan. Coal-fired power has been declining in the U.S. and most of the world in recent years as countries move toward cleaner and more efficient forms of electricity generation.

The Interior Dept. said South Korea-based private equity group Koreit will make a \$500-million equity investment in the Terra Energy Center project. Officials said the deal marks the first order of utility-scale boilers for a U.S.-based coal-fired power plant since 2006. The Terra Energy Center is reportedly being developed by Flatlands Energy.

The Trump administration has made support of fossil fuels paramount for its energy strategy. That includes moves to keep coal-fired power plants, several of which were scheduled for retirement, operating under emergency orders. The administration also has taken actions that have a negative impact on renewable energy, although solar power continues to dominate the buildout of new power generation capacity in the U.S.

Government data shows coal-fired power generation accounts for about 16% of the U.S. energy supply. Natural gas-fired power plants supply more than 40% of the nation's electricity, with nuclear power at about 19%, according to the U.S. Energy Information Administration.

The most recent new coal-fired power plant project completed in the U.S. is the 932-MW Sandy Creek station in Texas, which entered service in 2013. The Electric Reliability Council of Texas, the grid operator in that state, last year said Sandy Creek—located near Waco—would be offline until at least March 2027 due to what officials called an equipment failure.



# Powering Progress: First Coal Rake from Gare-Palma Reaches Nagpur, Securing Maharashtra's Energy Future

**N**agpur (Maharashtra) [India]: In a landmark development for Maharashtra's energy sector, Chief Minister Devendra Fadnavis announced that the first coal rake from the Gare-Palma Sector 2 mine has officially arrived at the Koradi Thermal Power Station.

The arrival marks the culmination of an eight-year journey to operationalise the captive mine, signalling a new era of self-reliance for the state's power generation.

Speaking on the development to ANI, Fadnavis said, **"The project was initiated following a historic decision by Prime Minister Narendra Modi to allocate captive coal mines to state power generation companies, under which Maharashtra State Power Generation Company (MAHAGENCO) was allotted the Gare-Palma coal mine in Chhattisgarh."**

The Gare-Palma coal mine, located in Chhattisgarh, was allocated to the Maharashtra State Power Generation Company (MAHAGENCO) following a strategic policy shift by the central government.

Fadnavis credited the achievement to a **"historic decision"** by Prime Minister Narendra Modi to provide captive mines to state entities. After navigating complex environmental clearances and logistical hurdles, the commencement of coal production is expected to stabilise the state's power grid for decades to come.

**"Prime Minister Narendra Modi had taken a historic decision to allocate captive coal mines to state power generation companies. Under this policy, MAHAGENCO was allotted the Gare-Palma coal mine in Chhattisgarh. After obtaining environmental clearances and overcoming multiple hurdles, coal production has commenced, and the first railway rake has successfully reached Koradi Thermal Power Station. This is a matter of great satisfaction,"** said Fadnavis.

Beyond mere availability, the quality of the coal from Gare-Palma is set to improve the efficiency of Maharashtra's thermal plants.

**"This mine will significantly reduce the**



Maharashtra CM  
Devendra Fadnavis

**state's dependence on external coal sources. The quality of coal available here is excellent, with a Gross Calorific Value (GCV) of 4300. This will ensure better-quality fuel for power generation, enhance efficiency, reduce costs, and also minimise environmental impact,"** said the Maharashtra CM.

Fadnavis further noted that the project, which took nearly eight years to become operational, has a long-term impact on the state's power sector. **"The mine has an estimated lifespan of 77 years, ensuring long-term coal availability for MAHAGENCO and eliminating concerns of fuel shortage,"** he said.

He also said that higher-grade coal would help reduce electricity tariffs and improve operational efficiency. **"With higher GCV, less coal will be required for the same energy output, resulting in significant operational benefits,"** he said.

Highlighting broader energy developments, the Chief Minister said Maharashtra currently has three coal gasification projects underway, which will provide alternative fuel solutions and

help in areas where traditional mining is restricted due to habitation.

He also stated, **"There is currently no load shedding anywhere in the state, and 70% of farmers are now receiving daytime electricity supply."**

Reacting to political developments, he also commented on Congress leader Rahul Gandhi, saying, **"Rahul Gandhi's political battle today is one for his own survival. He has faced repeated electoral defeats, and there is growing sentiment within the Congress party that he is unable to lead the party to victory. Demands for his removal are increasing. In this backdrop, such statements are being made to divert attention and manage internal dissent within the party."**



# TRUMP SIGNS EXECUTIVE ORDER, NAMED THE 'UNDISPUTED CHAMPION OF BEAUTIFUL CLEAN COAL'

On February 11, more than a dozen coal executives and miners gathered at the White House to present President Trump with a trophy naming him the “**Undisputed Champion of Beautiful Clean Coal**,” courtesy of the Washington Coal Club. The event featured a speech from Peabody Energy CEO and Chair of National Coal Council Jim Grech, along with words from a Peabody miner and Trump himself.

**“Coal is also critical to our national security, vital to everything from steel production to ship building and artificial intelligence,”** Trump said. **“From West Virginia to Wyoming, from Ohio to Montana and all across the country, we’re lifting up our hardworking American miners like nobody has ever done before.”**

At the event, Trump signed an Executive Order directing the Department of War to prioritize long-term Power Purchase Agreements with the USA’s coal fleet to ensure military installations and critical defense facilities have uninterrupted, on-demand baseload power. The order states that priority will be given to projects that enhance grid reliability and blackout prevention, on-site fuel security, and mission assurance for defense and intelligence capabilities.

Trump also announced that the DOE would be funding \$175 million to modernize, retrofit and extend the useful life of six coal-fired power plants in Kentucky, North Carolina, Ohio and West Virginia, part of the department’s \$525 million effort to expand and reinvigorate the U.S.’s coal fleet. The president also spoke about the Tennessee Valley Authority’s decision to postpone the retirement of the Kingston and Cumberland Fossil coal plants, which were set to close in 2027 and 2028.





## Good for Economics, Engines, and the Environment

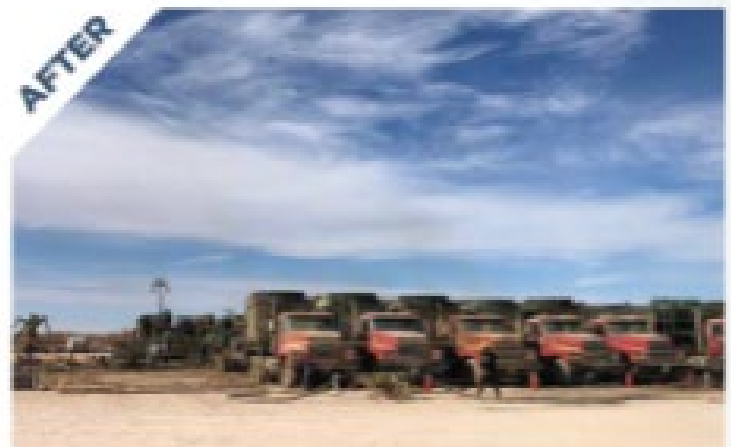
Upgrade your diesel to premium diesel performance with Crown CRT® Fuel Borne Catalysts. Our data-driven demonstration strategy will show:

- 6-9% fuel efficiency improvement
- 6-9% carbon/CO<sub>2</sub>e emissions reduction
- 30-40% reduced engine oil soot
- 10-25% improved lubricity protects injectors
- Typically greater than 2:1 return on expense!

Crown's CRT Catalysts are differentiated from normal fuel additives because of the patented fuel borne catalyst technology. This suspended particle promotes cleaner combustion earlier during the power stroke - think of it as advancing the timing of your diesel engine.

The catalysts are safe for use in all diesel engines and are easy to deploy with our proven on-location dosing system.

Contact us to discuss and determine if a CRT Demonstration is right for your operation.



### **Nick Simmons**

*VP Performance Chemicals Group*

[nsimmons@Crown-CRT.com](mailto:nsimmons@Crown-CRT.com)

(303) 748-1980

### **Arthur Brown**

*VP Technical Services*

[abrown@Crown-CRT.com](mailto:abrown@Crown-CRT.com)

(970) 903-9199



[www.Crown-CRT.com](http://www.Crown-CRT.com)

## CURRENT NATIONAL COAL TRANSPORTATION ASSOCIATION MEMBERS

A. Stucki Company	Lexair, Inc.	Timken Company
Alleanza Rail	LG&E and KU Energy	Tennessee Valley Authority
Ameren Energy Services	Lower Colorado River Authority	Transportation Services, Inc.
American Consolidated Natural Resources, Inc.	Luminant Energy	TrinityRail
American Electric Power	McConway & Torley, LLC	Tri-State Generation and Transmission Association
Amsted Rail	Mid-American Energy Company	TUCO/NexGen Services
Arizona Electric Power Coop., Inc.	Midland Railway Supply	Wabtec Corporation
Associated Electric Coop., Inc.	Minnesota Power	WEC Energy Group
Associated Terminals	MinTech Enterprises, LLC	Western Fuels Association, Inc.
AVENTICS Corporation (Emerson)	Mississippi Lime	Xcel Energy
Basin Electric Power Cooperative	Muscatine Power and Water	
Blackhawk Mining	Navajo Transitional Energy Company	
Cal Portland Cement	NiSource	
Cleco Corporation	Nebraska Public Power District	
Coal Network	New York Air Brake	
Colorado Springs Utilities	Oglethorpe Power Corp.	
Consumers Energy Company	Oklahoma Gas & Electric Co.	
Cooper Consolidated	Omaha Public Power District	
Core Natural Resources	Pacific Steel & Recycling	
CPS Energy	Peabody Energy	
David J. Joseph Company	Platte River Power Authority	
Detroit Edison	Progress Rail Services, Inc.	
Duke Energy	Railroad Financial Corporation	
Eco Material Technologies	Ramaco Coal	
Entergy Services, Inc.	Salt River Materials Group	
Exponent	Salt River Project	
GATX Rail	Sandy Creek Energy Station	
Grand River Dam Authority	Savage	
Guardian Rail	Slover & Loftus, LLP	
High Country Railcar	Southern Company Services	
HUM Industrial Technologies	Strato, Inc.	
Intermountain Power Service Corp.		
Kiewit Mining Group, Inc.		

## CURRENT AMERICAN COAL COUNCIL MEMBERS

Alaska Miners Association	Hallador Energy Company c/o Sunrise Coal, LLC	Progress Rail Services
Allegheny Metallurgical	Hampton Roads Testing Labs., Inc.	Ramaco Resources, Inc.
Alliance Resource Partners, L.P.	Illinois Coal Association	Realm Alliance
Alltricity Network	Ingram Barge Company	Ridgeline Advocacy Group
Ameren Missouri	Insight Terminal Solutions, LLC	River Trading Company, Ltd.
America's Power	Integrity Coal Sales, Inc.	Rivotto, Inc.
American Coal Ash Association	Interlake Maritime Services	Robindale Energy Services
American Electric Power	Iron Senergy	Rocky Mountain Mining Institute
American Exploration & Mining Association	ITC Coal Resources International, Inc. (ITOCHU)	S&P Global Commodity Insights
Archytas Energy	Javelin Global Commodities	SAI Gulf
Arizona Mining Association	JENNMAR	Salt River Project
Blackhawk Mining, LLC	JERA Global Markets North America, LLC	Sampling Associates International, LLC
Blue Sky Energy	John T. Boyd Company	Sandy Creek Services, LLC
Bluegrass Natural Resources, LLC	Kiewit Mining Group, Inc.	Savage
BNSF Railway	Knight Hawk Coal, LLC	SCH Services, LLC
Buchanan Ingersoll & Rooney, PC	Kodiak Chemical	Schneid Energy & Mining Consultants, LLC
Canal Barge Company, Inc.	Komatsu America Corp.	Semco Publishing, Inc.
Capes Shipping Agencies	LG&E and KU	SGS North America, Inc.
Carbon GeoCapture	Liebherr USA, Co. Mining	Standard Laboratories, Inc.
Carbon Partners, Inc.	Lower Colorado River Authority	State Fire
CEI	M Resources	T. Parker Host
Charah Solutions, Inc.	Marshall Miller & Associates	Tennessee Valley Authority
CN	Matrix Design Group	Texas Mining and Reclamation Association
Coal Association of Canada	McCloskey by OPIS, A Dow Jones Company	The Hilliard Corporation
Coal Mac	Metallurgical Coal Producers	The Indiana Rail Road Company
Coal Users' Group	MidAmerican Energy Company	The Strategy Group Co.
Colorado Mining Association	Mining Minnesota	Trinity Industries
Cooper Consolidated, LLC	MinTech Enterprises	UCC Environmental
Core Natural Resources	Montana Coal Council	UNC Charlotte
Crouse Corporation	Montana Mining	Union Pacific Railroad
CSX Transportation	National Mining Association	University of Kentucky - Center for Applied Energy Res.
Deswik	National Tribal Energy Association	University of North Dakota, Energy & Environmental Research Center
Dominion Energy	Natural Resource Partners, LP	University of Wyoming
Donora River Terminal	Navajo Transitional Energy Company, LLC	USA Coal
DTE Energy Co.	Nelson Brothers Mining Services, LLC	Usibelli Coal Mine, Inc.
Duke Energy	Net-Negative CO2 Baseload Power, Inc.	Utah Mining Association
Eagle Summit Resources	Nevada Mining Association	Veolia
Eagle Summit Resources	NexGen Coal Services, Ltd.	Visa Commodities AG
Eclipse Business Capital, LLC	Norfolk Southern	Vitol
Eco Material Technologies, Inc.	North Star Strategies, LLC	Warrenton River Terminal, LLC
Energy & Environmental Research Center	NRG Energy	Warrior Met Coal, Inc.
Energy Policy Network	Omaha Public Power District	Waste Connections
Energy Ventures Analysis, Inc.	Paducah & Louisville Railway	Weir International, Inc.
Entergy	Peabody	West Virginia Coal Association
Environmental Energy Services Corporation	Pennsylvania Coal Alliance	West Virginia University
Frontieras North America	Platte River Power Authority	Western Fuels Association
GATX	PM Coal Company LLC/Pickands Mather	Westmoreland Mining, LLC
Glencore, Ltd.		Westshore Terminals Limited Partnership
Global Coal Sales Group, LLC		Women's Mining Coalition
Hallador Energy Company		Xcel Energy, Inc.

# CURRENT AMERICAN COAL ASH ASSOCIATION MEMBERS

## Utility Members

Ameren Missouri  
 American Electric Power (AEP)  
 Arizona Electric Power Cooperative  
 Big Rivers Electric Corporation  
 Colorado Springs Utilities  
 Colstrip Energy Limited Partnership  
 Dairyland Power Cooperative  
 Duke Energy Corporation  
 Great River Energy  
 Kansas City Board of Public Utilities  
 LG&E and KU Services Company  
 Muscatine Power & Water  
 Nebraska Public Power District  
 Southern Company  
 Talen Energy  
 Tennessee Valley Authority  
 WEC Business Services, LLC

## Non-Utility Members

N/A

## General Marketer Members

ASHCOR USA, Inc.  
 Charah Solutions, Inc.  
 Cinder Residuals, LLC  
 Eco Material Technologies, Inc.  
 EP Power Minerals Americas  
 Forsite Environmental Solutions  
 Heidelberg Materials  
 LafargeHolcim - Geocycle  
 Nebraska Ash  
 Salt River Materials Group  
 Separation Technologies, LLC  
 Waste Management

## Specialty Marketer Members

Beneficial Reuse Management/Gypsoil  
 Harsco Environmental

## Associate Members

AECOM  
 AJ Transport  
 Allu, Inc.  
 Babst Calland  
 Burns & McDonnell  
 Carbon Negative Solutions  
 CBP Environmental  
 Cemtec Inc.  
 CertainTeed Gypsum  
 Chryso North America  
 Civil & Environmental Consultants, Inc.  
 Clear Water Services  
 ClimeCo, LLC  
 CTLGroup  
 DHGreen Counseling

Dustmaster Enviro Systems  
 Entact  
 Environmental Specialties International, Inc.  
 FeX, LLC  
 Firmographs, LLC  
 FivesFCB  
 Franklin Technical Solutions  
 Frontier Group of Companies  
 GAI Consultants, Inc.  
 GEI Consultants, Inc.  
 Global Containment Solutions  
 Griffin Fluid Management  
 Haley & Aldrich, Inc.  
 Hallaton Environmental Linings  
 Hanson  
 Heyl Patterson Thermal Processing  
 HTH, LLC  
 IDA Power, LLC  
 Industrial Fabrics, Inc.  
 Integrated Demolition and Remediation  
 Integrated Environmental Technology  
 John Ward, Inc.  
 Kansas City Fly Ash, LLC  
 Keller  
 Kevin Harshberger  
 Kline Consulting  
 LB Industrial Systems  
 Lhoist North America  
 Loureiro Engineering Associates  
 Martlin Distributing  
 Mt. Carmel Stabilization Group  
 National Gypsum Company  
 Nu-Rock Technology USA  
 OTB Materials Corp.  
 Ozinga Bros.  
 Pacific States Environmental Contractors  
 Palmetto Wastewater Solutions  
 PENTA Engineering Corporation  
 Phillips and Jordan, Inc.  
 PHNX Materials, Inc.  
 ProtectGD, LLC  
 Ramboll  
 RB Jergens  
 ReVanTEC Solutions  
 Rivalia Chemical Co.  
 Romano Consulting Company  
 Saiia Construction Company, LLC  
 Schnabel Engineering  
 Severson Environmental Services, Inc.  
 Son-Haul, Inc.  
 Sonoash, LLC  
 Stantec  
 Superior Belt Filter  
 Tarmac International

Tetra Tech  
 The Moutat Company  
 Trans Ash, Inc.  
 TRC  
 TTL, Inc.  
 UES  
 United States Gypsum Company  
 University of Kentucky  
 Verdantas  
 Waste Connections, Inc.  
 Watershed Geo  
 Westmoreland Mining, LLC  
 WSP  
 Xylem Dewatering  
 Yukon Technology, Inc.

## Individual Members

Daniel Benkeser  
 Bethany Buckland  
 Mohammed Dardona  
 Sen Du  
 Livingstone Dumenu  
 Farzaneh Elyasigorji  
 Jenberu Feyyisa  
 Brigitte Leora Hay  
 Sarah Hodges  
 Ryan Holmes  
 Eberechi Ichi  
 Dimitrios Kakaris Porter  
 Shinhyu Kang  
 Engy Khoshit  
 Zhipeng Li  
 Ifeanyi Mbah  
 Richard L Pepper  
 Sivakumar Ramanathan  
 Siamak Riyazi  
 Pravin Saraswatula  
 Casey Sunberg  
 Ross Taggart  
 Ying Wang  
 Trevor Williamson  
 Gang Xu

## Honorary Members

Dale Baker  
 Claude Brown  
 James Bunnell  
 Dean M. Golden  
 Howard Humphrey  
 James Merkel  
 Tom Pasko  
 Joseph Pound  
 Simon Prins  
 Jim Weeks

## CURRENT ALLTRICITY NETWORK MEMBERS

**Utility Member**

Arizona Public Service (AZ)  
 Arkansas River Power Authority (CO)  
 Associated Electric Cooperative, Inc. (MO)  
 Austin Energy (TX)  
 Basin Electric Power Cooperative (ND)  
 Big Rivers Electric Corporation (KY)  
 Black Hills Corporation (SD)  
 Black Hills Electric Cooperative (SD)  
 Boone Electric Cooperative (MO)  
 Carbon Power & Light, Inc. (WY)  
 Center Electric Light & Power System (CO)  
 Central Nebraska Public Power and Irrigation District (NE)  
 City of Alliance Electric Department (NE)  
 City of Aztec Electric Department (NM)  
 City of Farmington (NM)  
 City of Fort Morgan (CO)  
 City of Garden City (KS)  
 City of Gillette (WY)  
 City of Imperial (NE)  
 City of Yuma (CO)  
 Colorado Highlands Wind, LLC (CO)  
 CORE Electric Cooperative (CO)  
 CPS Energy (TX)  
 Delta Montrose Electric Association, Inc. (CO)  
 El Paso Electric Company (TX)  
 Empire Electric Association, Inc. (CO)  
 Estes Park Power & Communications (CO)  
 Energy, Inc. (MO)  
 Farmers' Electric Cooperative (MO)  
 Fort Collins Utilities (CO)  
 Fort Morgan Light & Power (CO)  
 Grand Island Utilities (NE)  
 Highline Electric Association (CO)  
 Holy Cross Energy (CO)  
 Incorporated County of Los Alamos Department of Public Utilities (NM)  
 Kansas City Board of Public Utilities (KS)  
 Kit Carson Electric Cooperative (NM)  
 La Plata Electric Association, Inc. (CO)  
 Lamar Utilities Board (CO)  
 Las Animas Municipal Light & Power (CO)

Liberty Utilities (ON)  
 Lincoln Electric System (NE)  
 Longmont Power & Communications (CO)  
 Loup River Public Power District (NE)  
 Loveland Water & Power (CO)  
 Lower Colorado River Authority (TX)  
 Mountain Parks Electric, Inc. (CO)  
 Mountain View Electric Association, Inc. (CO)  
 Navopache Electric Cooperative, Inc. (AZ)  
 Nebraska Public Power District (NE)  
 NextEra Energy Resources (FL)  
 Norris Public Power District (NE)  
 Northeast Power (NE)  
 Omaha Public Power District (NE)  
 PacifiCorp (UT)  
 Panhandle Rural Electric Membership Association (NE)  
 Pioneer Electric Cooperative, Inc. (KS)  
 Platte River Power Authority (CO)  
 PNM Resources (NM)  
 Poudre Valley Rural Electric Association (CO)  
 Salt River Project (AZ)  
 San Isabel Electric Association, Inc. (CO)  
 San Miguel Power Association (CO)  
 SMTX Utilities (TX)  
 South Central Public Power District (NE)  
 Southern Pioneer Electric Company (KS)  
 Southwest Public Power District (NE)  
 Tenaska (NE)  
 Trico Electric Cooperative (AZ)  
 Tri-State Generation and Transmission Association, Inc. (CO)  
 Tucson Electric Power/UNS Corporation (AZ)  
 United Power, Inc. (CO)  
 Western Area Power Administration (CO)  
 Wheatland Electric Cooperative (KS)  
 Wheatland Rural Electric Association (WY)  
 Xcel Energy (MN)  
 Y-W Electric Association, Inc. (CO)

**Service/Supplier/Consultant &****Associate/Education Member**

AI Renewables, LLC (MA)  
 Altec Industries, Inc. (AL)  
 American Public Power Association (VA)  
 Ampirical (LA)  
 Arup (CA)  
 ASEC Engineers, a Verdantas Company (CO)  
 Aspen Consulting Services, Inc. (CO)  
 Asplundh Tree Expert, LLC (PA)  
 Babcock & Wilcox Company (OH)  
 Barr Engineering Co. (MN)  
 Bartlett & West (KS)  
 Black & McDonald (MO)  
 Black & Veatch (MO)  
 Bowman Consulting Group (CO)  
 BuildReady (FL)  
 Burns & McDonnell (MO)  
 C.M. Lantana Consulting (TX)  
 CCC Group (TX)  
 CDG Engineers, Inc. (MO)  
 CLP Engineering, LLC (CO)  
 Colorado Rural Electric Association (CO)  
 Commonwealth Associates, Inc. (MI)  
 Copper Roots, Inc. (ID)  
 Cutsforth (WA)  
 Data Phleet (UT)  
 Day & Zimmermann (PA)  
 DEKRA (GA)  
 EDM International, Inc. (CO)  
 Electrical Builders, Ind. (EBI) (MN)  
 Electrical Consultants, Inc. (CO)  
 ElectroTech, Inc. (MN)  
 ELM MicroGrid (TX)  
 Emerson (PA)  
 Energy Executive Course - University of Idaho (ID)  
 EnergyLink International Corporation (AB)  
 EnerNex (TN)

# CURRENT ALLTRICITY NETWORK MEMBERS

ENTRUST Solutions Group (CO)  
 Evapco Dry Cooling, Inc. (CO)  
 Experience on Demand, LLC (MO)  
 Filsinger Energy Partners (CO)  
 FlexGen (NC)  
 GE Vernova (CO)  
 Great Southwestern Construction, Inc. (CO)  
 HDR (NE)  
 Hughes Brothers, Inc. (NE)  
 Hyde Renewables (CO)  
 IBEW, Local Union #111 (CO)  
 Irby Utilities (TX)  
 Jacobs Engineering Group (ID)  
 James Industries, Inc. (TX)  
 K&A Engineering Consulting, P.C. (NY)  
 KAAM Group (CA)  
 KD Johnson, Inc. (TX)  
 Kiewit (KS)  
 Laminated Wood Systems, Inc. (NE)  
 Lamons (TX)  
 Leidos (CO)  
 MasTec Industrial (FL)  
 McCarthy Building Companies, Inc. (MO)  
 Merrick & Company (CO)  
 Miron Construction Co., Inc. (WI)  
 Mitsubishi Electric Power Products, Inc. (PA)  
 Mitsubishi Power Americas, Inc. (FL)  
 Mycoff Fry Partners, LLC (CO)  
 National Powerline, LLC (AZ)  
 NEI Electric Power Engineering, Inc. (CO)  
 Nooter/Eriksen, Inc. (MO)  
 Northeast Community College (NE)  
 Olsson (NE)  
 Osmose Utilities Services (GA)  
 Peak Utility Services Group (CO)  
 Pike Engineering (CO)  
 Pinyon Environmental, Inc. (CO)  
 Pointerra US, Inc. (VA)  
 Power Contracting, LLC (AZ)  
 Power Equipment Specialists, Inc. (CO)  
 Quanta Services, Inc. (TX)  
 RDQ, Inc. (CO)  
 Riggs Distler (NJ)  
 Safety One Training International, Inc. (CO)

Sargent & Lundy (IL)  
 Siemens Energy, Inc. (CO)  
 Solar Turbines, Inc. (CA)  
 Southeast Community College (NE)  
 Southwire Company (GA)  
 Sparus Holdings (GA)  
 SR3 Engineering (CO)  
 Stanley Consultants (CO)  
 Stella-Jones Corporation (QC)  
 Sturgeon Electric Co., Inc. (CO)  
 Surveying And Mapping, LLC (SAM, LLC) (TX)  
 Taber International, LLC (UT)  
 Technically Speaking, Inc. (CO)  
 Total-Western (CA)  
 TRC Engineers, Inc. (CT)  
 Tri-Core Energy Solutions, LLC (AZ)  
 Ulteig Engineers, Inc. (ND)  
 United Grid Solutions (CO)  
 Utility Telecom Consulting Group, Inc. (NV)  
 Vantage Point Solutions (SD)  
 Wärtsilä North America, Inc. (TX)  
 Western Line Constructors Chapter, Inc. - NECA (UT)  
 Westwood Professional Services (TX)  
 Wilson & Company, Engineers & Architects (CO)  
 WSP (NY)  
 WSU Energy Systems Innovation Center (WA)  
 Zachry Group (TX)

# France's Coal Mining Past on Display at Wendel Mine Museum

By: Phillip Walter Wellman



*Buildings once used for coal mining make up the Parc Explor Wendel complex in Petite-Rosselle, France, one of the most well-preserved coal mining sites in the country.*

**M**any Americans know the story of U.S. troops helping to liberate France from Nazi rule during World War II. What is less often talked about is what came next and how the country rebuilt in the years that followed.

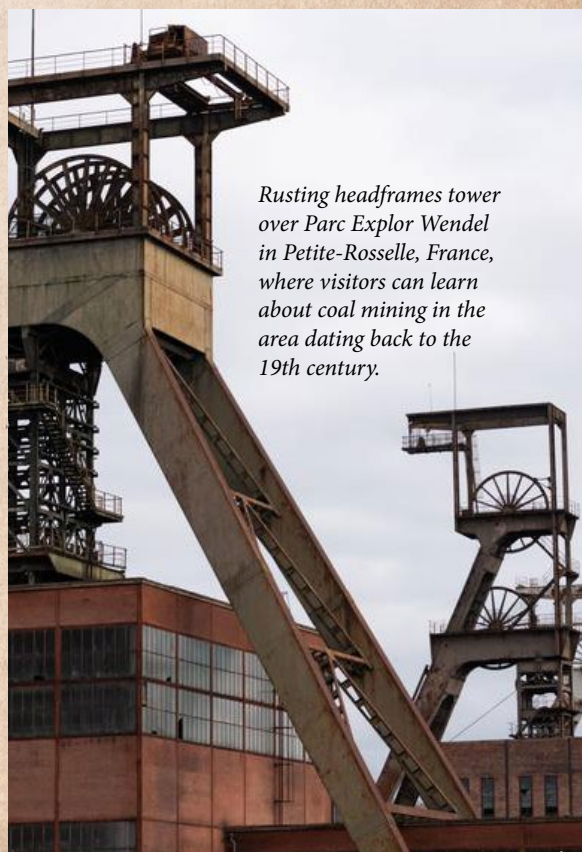
Coal played a critical role in that recovery, powering factories, railways and homes. And much of it was mined in northeastern France, about an hour's drive from what is now the largest U.S. military community overseas, in Kaiserslautern, Germany.

That history is still visible today at the Wendel Mine Museum, part of the Parc Explor Wendel complex, a former coal mine site in Petite-Rosselle, near the German border. The complex is named after the Wendel family, an influential industrial dynasty that helped develop mining and steel production in the region.

During a recent visit, the site was quiet, far removed from a time when thousands of miners earned their living here. Rusting headframes rose above the grounds, and a few people walked their dogs along a path next to weathered buildings.

In the museum, a video plays soon after visitors enter, framing coal miners as central to France's postwar recovery. The tone is striking. Today, coal is often seen as dirty and outdated, but the film makes clear how essential mines like Wendel once were for industrial development.

At its peak, the Lorraine coal basin produced roughly a quarter of France's coal. Mining in the area dates back to the 19th century, with industrial operations beginning in Petite-Rosselle in 1856.



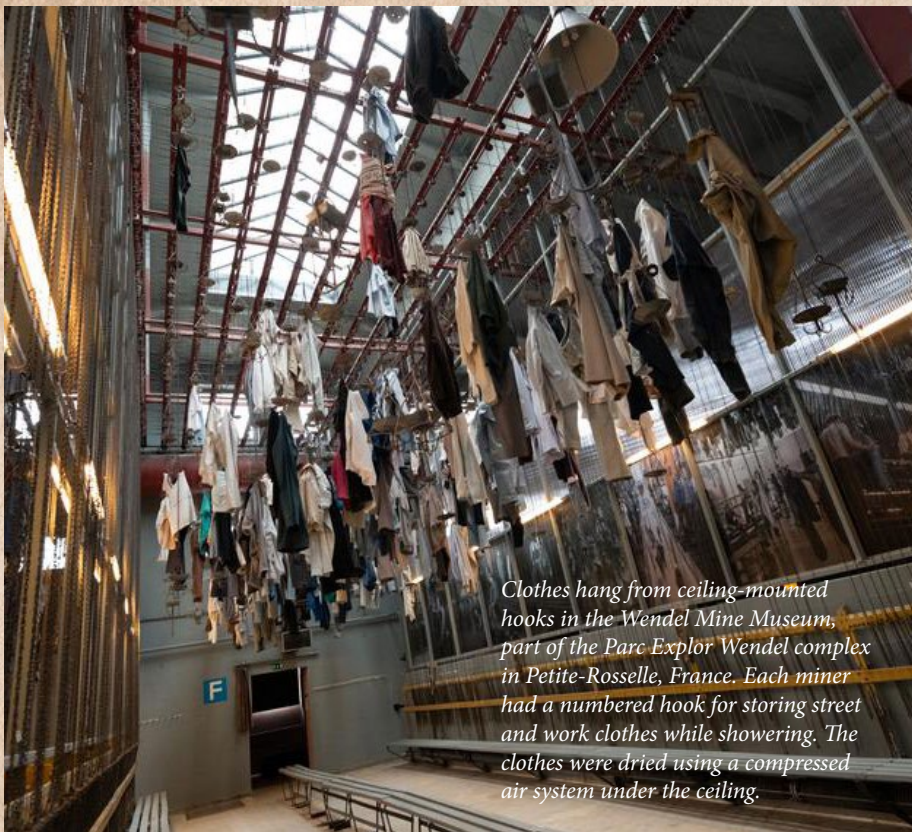
*Rusting headframes tower over Parc Explor Wendel in Petite-Rosselle, France, where visitors can learn about coal mining in the area dating back to the 19th century.*

The museum traces that history in detail. Early tools and lamps show how dangerous the work once was. The first lamps used open flames, which could ignite methane and cause deadly explosions.

Moving through the exhibits, I found myself focusing less on the machinery and more on the experiences of the miners.

After their shifts, the miners had to take collective showers to clean off the coal dust that clung to them during the physically demanding work. They helped scrub each other's backs, often singing and whistling in the shower rooms that visitors now walk through, according to descriptions in the museum.

Outside the showers, their clothes hung from ceiling-mounted hooks, lifted out of the way to dry. This impressive system is also on display.



*Clothes hang from ceiling-mounted hooks in the Wendel Mine Museum, part of the Parc Explor Wendel complex in Petite-Rosselle, France. Each miner had a numbered hook for storing street and work clothes while showering. The clothes were dried using a compressed air system under the ceiling.*

*The Wendel 2 shaft is one of three shafts at Parc Explor Wendel. It was sunk in 1871, not long after coal was discovered at the site in 1865. The shaft is nearly a half mile deep, and 16 feet in diameter. The headframe rises about 177 feet above ground.*



Numerous photographs help bring the preserved spaces back to life, showing what the average workday was like and how tightly connected the workers were to one another.

In addition to the museum, a guided tour takes visitors into reconstructed mine galleries.

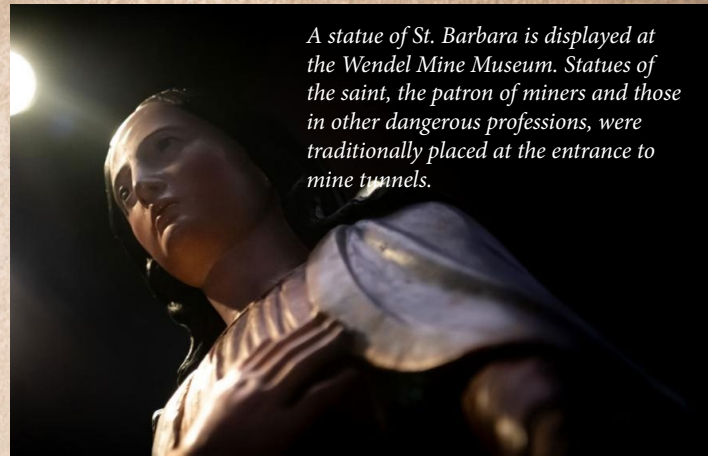
My guide spoke only French, but the displays along the route were in English. At the start of the tour, we stepped into an elevator, where a video showed miners in a cage descending into a pit. When the doors opened, we walked into a series of tunnels filled with massive machinery.

For a while, I believed we were far below the surface. It was only after about 15 minutes, when I said something to the guide, that he laughed and explained we had never left ground level. The descent had been a simulation, and a very convincing one.

The re-created mine shows techniques used up until the final years of coal mining in France, which ended in 2004. Walking through the tunnels, it is easy to imagine the noise, heat and repetition miners faced day after day.

The Wendel site is part of the European Route of Industrial Heritage, a network of historic sites across Europe that helped drive the Industrial Revolution and are now preserved and open to the public.

Before leaving, I stopped at Café Kaffeeklatsch, a small café on site with cakes and vintage decor. After spending hours learning about the harsh conditions underground, sitting down with a large slice of cheesecake offered a quiet moment to appreciate the past and feel happy to be living in the present.



*A statue of St. Barbara is displayed at the Wendel Mine Museum. Statues of the saint, the patron of miners and those in other dangerous professions, were traditionally placed at the entrance to mine tunnels.*



*A slice of cheesecake and hot chocolate at Café Kaffeeklatsch, a small café at Parc Explor Wendel known for its cakes and vintage decor.*

## Below the deck...we're a cut above.

- Truck systems
- Side frames
- Bolsters
- Constant contact side bearings
- Couplers
- Draft sills
- Coil springs
- Center plates
- Draft gears
- Bearing adapters
- Cushioning units
  - End-of-car
  - Center-of-car
- Wheels, curved-plate, heat-treated
- Roller bearings



**Amsted Rail**

200 W. Monroe Street • Chicago, IL 60606 • (312) 853-5680 • amstedrail.com

*Photographs along the walls of the Wendel Mine Museum show what life was like at the mine complex, where coal mining began in the 19th century and continued into the early 2000s.*



## Park Explor Wendel

**Address:** Lieutenant Joseph Nau Street, 57540 Petite-Rosselle, France

**Cost:** Adults (museum and

mine) 12 euros, adults (museum or the mine) 8 euros, children 6-18 (museum and mine) 6 euros, children (museum or the mine) 4 euros, children under 6 free.

**Hours:** Open all year Tuesdays to Sundays 10 a.m. - 6 p.m., closed January 1, May 1, December 24-26 and 31.



- Airport Runways**
- Housing Subdivisions**
- Interstate Highways**
- State Highways**
- County Roads**
- State Parks**
- Parking Lots**
- Feedlot Pads**
- Pond & Lake Floors**



**Leading The Industry In Soil Stabilization & Quick Setting Flowable Fill**



**Asphalt Pulverization • Cement • Class C Fly Ash • Full Depth Reclamation • Lime • Flash Fill**

20011 Cty Rd 13  
PO Box 1449  
Fort Morgan, CO 80701  
970.867-4401  
[www.flashfill.net](http://www.flashfill.net)  
[www.son-haul.com](http://www.son-haul.com)



## EVENTS

**NCTA (NATIONAL COAL  
TRANSPORTATION ASSOCIATION)**

May 13, 2026

**On Track Live**  
Webinar

September 21 – 23, 2026

**NCTA 52nd Annual Business  
Meeting and Conference**  
La Fonda on the Plaza  
100 E San Francisco St.,  
Santa Fe, NM 87501

**ASRS (AMERICAN SOCIETY OF  
RECLAMATION SCIENCES)**

June 7 – 11, 2026

**43rd Annual Meeting of ASRS**  
Laramie, WY

August 30 – September 2, 2026

**2026 Rocky Mountain Mining &  
Reclamation Conference**  
Durango, CO

June 6 – 10, 2027

**44th Annual Meeting of ASRS**  
Pittsburgh, PA

**ACAA (AMERICAN COAL ASH  
ASSOCIATION)**

May 31 – June 4, 2026

**ASTM C09 and C01 Meetings**  
Dallas, TX

June 18, July 16, August 20, 2026

**CCP 411**  
Webinar

June 23 – 25, 2026

**USWAG CCR Workshop**  
Indianapolis, IN

August 3 – 7, 2026

**AASHTO Meetings**  
Richmond, VA

September 29 – 30, 2026

**ACAA Fall Membership Meeting**  
St. Petersburg, FL

October 5 – 8, 2026

**ASTM E50 and E60 Meetings**  
Jacksonville, TX

October 11 – 14, 2026

**ACI Fall Convention**  
Atlanta, GA

October 15, November 19, December 17, 2026

**CCP 411**  
Webinar

December 6 – 10, 2026

**ASTM C09 and C01 Meetings**  
Jacksonville, FL

**ACC (AMERICAN COAL  
COUNCIL)**

June 28 – 30, 2026

**Rocky Mountain Mining Institute Annual  
Conference**  
Omni Interlocken Hotel  
500 Interlocken Blvd.,  
Broomfield, CO 80021

July 12 – 14, 2026

**The Coal Insitute Summer Meeting**

August 5 – 7, 2026

**The West Virginia Coal Association's  
Membership Meeting & America Coal  
Association's Annual Coal Forum**  
White Sulphur Springs, WV 24986

August 18 – 20, 2026

**Coal Innovation & Market Strategies  
Conference**  
Chateaux Deer Valley  
7815 Royal St.,  
Park City, UT 84060

October 20 – 21, 2026

**The Coal Institute Fall Meeting**

February 2 – 4, 2027

**Spring Meeting**  
The Westin New Orleans  
100 Iberville St.,  
New Orleans, LA 70130

**ALLTRICITY NETWORK**

June 3 – 4, 2026

**Introduction to Overhead Distribution Line  
Design**  
Online via Zoom

June 23, 2026

**2026 Alltricity Scholarship Foundation Golf  
Tournament**  
Arrowhead Golf Club  
10850 Sundown Trail,  
Littleton, CO 80125

October 5 – 7, 2026

**2026 Fall Convention**  
Hyatt Regency Hill Country Resort & Spa  
9800 Hyatt Resort Dr.,  
San Antonio, TX 78251

**FUTURECOAL**

September 16 – 17, 2026

**Eurocoke 2026**  
Barcelona, Spain

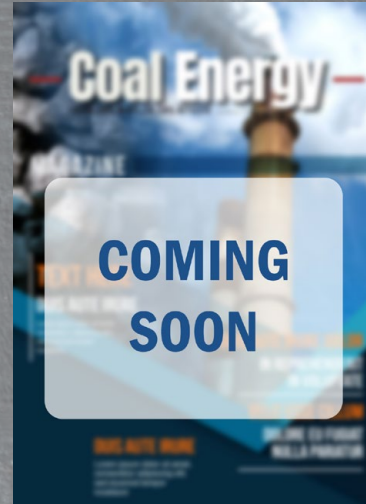
# UPCOMING ISSUE

**ASSOCIATION COMPARISONS**

**WORLD NEWS**

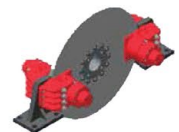
**MARKET TRENDS**

**INDUSTRY EVENTS**



## INDEX TO ADVERTISERS

<b>Amsted Rail</b>	<b>15-19-33</b>	<b><a href="http://www.amstedrail.com">www.amstedrail.com</a></b>
<b>Crown-CRT</b>	<b>25</b>	<b><a href="http://www.crown-crt.com">www.crown-crt.com</a></b>
<b>Son Haul, Inc.</b>	<b>34</b>	<b><a href="http://www.son-haul.com">www.son-haul.com</a></b>
<b>The Hilliard Corporation</b>	<b>OBC</b>	<b><a href="http://www.hilliardcorp.com">www.hilliardcorp.com</a></b>



MADE IN AMERICA, BUILT FOR THE WORLD

[HilliardBrakeSystems.com](http://HilliardBrakeSystems.com)



Hilliard Products are  
Made in the USA.