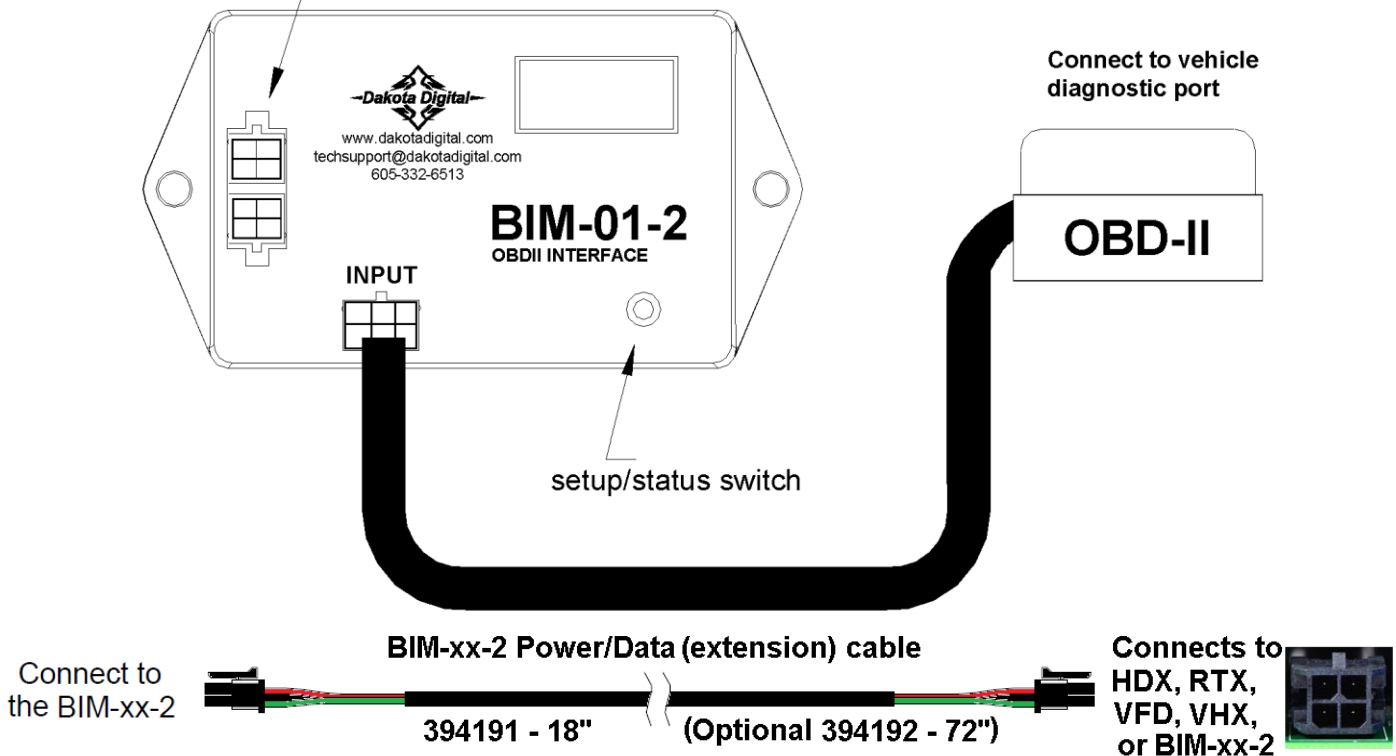


BIM-01-2

Bus Interface Module for OBD-II vehicle interface

BIM-xx-2 power & data connectors.
Either one can be used.



This Bus Interface Module has an input to read engine information from vehicles using the J1850 GM 1996-up OBD-II protocol, Ford 1996-up OBD-II protocol, Chrysler 2004-up OBD-II protocol, or CAN (SAE J1979) OBD-II protocol. CAN SAE J1979 OBD-II is used on all vehicles 2008 and newer and some vehicles from 2004 – 2008.

There are two interface (I/O) ports on the module. Either one can be connected to the instrument system or to another module, allowing several units to be daisy chained together.

Do not: connect the I/O port to anything other than a Dakota Digital control box or BIM.

Do not: mount the module in the engine compartment; it should be mounted in the vehicle cabin.

The BIM-01-2 normally does not use one of the 16 available bus ID's like other Dakota Digital BIM units do. Speed and RPM data are transmitted and updated every 0.1 second, on a dedicated bus to the display box processor. The remaining data is sent one at a time in sequence along with the speed and RPM.

Some 2009 and newer GM engines offer boost data. If enabled, the boost data will try to default to ID Channel 9 in the control box for the display.

The engine and transmission information that is available from the unit depends on the year, make, model, and options of the vehicle. Some of the possible values are: engine RPM, vehicle speed, engine coolant temperature, intake air temperature, transmission fluid temperature, transmission gear position, vacuum/boost and ambient air temperature.

**A GPS-50-2 CANNOT be linked (daisy chained) to a BIM-01-2 with a BIM cable.
The two units cannot talk to the display control box at the same time.**

Table of Contents:

VFD3 / VFD3X Setup	Page 3
VHX Setup	Page 5
HDX / RTX Setup	Page 7
BIM Setup Menu	Page 8
Quick Tips and Trouble Shooting	Page 10
Notes	Page 11
Warranty	Page 12

Display data usage

Data that should always be available: RPM, speed, engine temp, intake temp, engine indicator (MIL)

Data that is transmission dependent: Transmission temp, transmission gear position

Data that is body control/ECM dependent: ambient air temp, engine oil pressure, fuel level, vacuum/boost

The RPM, speed, and engine temperature data can each be used in place of individual connections to the instrument control unit. These are individually selectable in the instrument system setup menus.

The automatic transmission gear position will be displayed in the message center if it is available. This will automatically be displayed whenever the gear changes via shift selector, including manual mode if applicable. If a GSS-series universal gear position sender is connected, the GSS will override the BIM-01-2 data.

The malfunction indicator lamp (MIL) or service engine soon indicator will be activated from the data bus when there is an engine code set. This will not turn on the indicator for a lamp test function when the key is on, but the engine is not running. This indicator can be enabled or disabled in the BIM-01-2 setup.

Some features require a minimum instrument system software revision (or higher) to be supported:

	Engine Indicator	Oil Pressure & Fuel Level
VHX	VX03	VX04
VFD3	SE45	SE47
VFD3X	SE54	SE55

The intake air temp, transmission temp, and ambient air temp will be displayed in the message center.

Display Setup

Setting up the display system will configure the instrument control box to read each input from either the terminals or through the BIM cable from the Bus Interface Module.

The BIM menu of the display will not find the BIM-01-2, unless Boost is enabled for boosted 2009+ GM applications.

The following settings are for the basic information to be displayed with data from the BIM module.

Extra data that might be sent such as Intake Air Temp or Transmission Temp, can be brought up in the message centers of the VFD3 and VHX system by toggling SW2 in normal operation of the vehicle. Similar data that might be present will not automatically be shown in the HDX and RTX systems. That extra information must be placed in a group screen of your choice, in the HDX and RTX setup.

VFD3 / VFD3X Setup:

Entering the VFD3 setup is done by holding SW1 (I) and turning the ignition to “on”, or “acc”.

Once in setup, one can move between SPEED, TACH, VOLT, WATER, etc.... by tapping SW1 (I)

If you are setting multiple items, once done with one section you will automatically move onto the next item.

Obtaining speed from the BIM-01-2

- Hold the SW1 switch from the instrument system control box while turning the key on.
 - The speed display will show 5E£ and the message display will show SETUP.
- Release SW1. The displays should show 5E£ and SPEED, respectively.
- Press and hold SW1 for at least 3 seconds, until 5E£ changes to “-”. The message display will show SENDER.
- Press and hold SW1 for at least 3 seconds, until 5E£ changes to “-”. The speed display will show the current setting.
- Tap SW1 until 5E£ and BUS are displayed.
- Press and hold SW1 until 5E£ and DONE are displayed.
 - NOTE: The AUTO, auto calibration, is removed.
 - Speed can only be fine-tuned with the ADJUST mode at a standstill.
 - ADJUST now only alters the percentage of speed by +/- 25%.
 - Drive a known speed and calculate how far off the speed is in percentage.
 - $\text{GPS speed} / \text{displayed speed} \times 100$
 - Sample - $[60/50=1.2] [1.2 \times 100 = 120] \mathbf{120\%}$
 - Enter setup and go to ADJUST, tap SW1 to increment from 100% up to 125%.
 - After 125% the values will fall back to 75% and increment up again.
 - When the desired percentage is reached, hold SW1 until 5E£ changes to “-”.
- Tap SW1 until 5E£ and DONE are displayed.
- Press and hold SW1 until “-” and DONE are display.

Obtaining RPM from the BIM-01-2

- Hold the SW1 switch from the instrument system control box while turning the key on.
 - The speed display should show 5E£ and the message display should show SETUP.
- Release SW1. Tap SW1 until 5E£ and TACH are displayed.
- Press and hold SW1 for at least 3 seconds, until 5E£ changes to “-”. The displays should show 5E£ and T CAL.
- Press and hold SW1 for at least 3 seconds, until 5E£ changes to “-”. The speed display will show the current setting.
- Tap SW1 until 5E£ and BUS are displayed.
- Press and hold SW1 until “-” and DONE are displayed.
- Tap SW1 until 5E£ and DONE are displayed.
- Press and hold SW1 until “-” and DONE are displayed.

Obtaining engine temperature from the BIM-01-2

- Hold the SW1 switch from the instrument system control box while turning the key on.
 - The speed display should show 5E£ and the message display should show SETUP.
- Release SW1. Tap SW1 until 5E£ and WATER are displayed.
- Press and hold SW1 for at least 3 seconds, until 5E£ changes to “-”. The displays should show 5E£ and SENDER.
- Press and hold SW1 for at least 3 seconds, until 5E£ changes to “-”. The speed display will show the current setting.
- Tap SW1 until 5E£ and BUS F (Fahrenheit) is displayed.
 - Tap SW1 once more for 5E£ and BUS C (Celsius) if desired.
- Press and hold SW1 until “-” and DONE are displayed.
- Tap SW1 until 5E£ and DONE are displayed.
- Press and hold SW1 until “-” and DONE are displayed.

VFD3 Setup Continued:

Obtaining oil pressure from the BIM-01-2 (if available)

- Hold the SW1 switch from the instrument system control box while turning the key on.
 - The speed display should show 5E£ and the message display should show SETUP.
- Release SW1. Tap SW1 until 5E£ and OIL are displayed.
- Press and hold SW1 for at least 3 seconds, until 5E£ changes to "-". The displays should show 5E£ and SENDER.
- Press and hold SW1 for at least 3 seconds, until 5E£ changes to "-". The speed display will show the current setting.
- Tap SW1 until 5E£ and BUS are displayed.
- Press and hold SW1 until "-" and DONE are displayed.
- Tap SW1 until 5E£ and DONE are displayed.
- Press and hold SW1 until "-" and DONE are displayed.

VHX Setup:

Entering the VHX setup is done by holding SW1 (I) and turning the ignition to “on”, or “acc”.

Once in setup, one can move between **SPEED**, **TACH**, **VOLT**, **WATER**, etc.... by tapping SW1 (I)

If you are setting multiple items, once done with one section you will automatically move onto the next item.

Obtaining speed from the BIM-01-2

- Hold the SW1 (I) switch from the instrument system control box while turning the key on.
 - The message display should show **SETUP**.
- Release SW1 (I) - LCD1 should show **SETUP SPEED**.
- Press and hold SW1 (I) for at least 3 seconds until **SPEED SENDER** is displayed.
- Press and hold SW1 (I) for at least 3 seconds until **SENDER** is displayed.
- Release the switch and **SENDER NORMAL** will be displayed.
- Tap SW1 (I) until **SENDER BUS** is displayed.
- Press and hold SW1 (I) until **DONE** is displayed.
 - NOTE: The **AUTO**, auto calibration, is removed.
 - Speed can only be fine-tuned with the **ADJUST** mode at a standstill.
 - **ADJUST** now only alters the percentage of speed by +/- 25%.
 - Drive a known speed and calculate how far off the speed is in percentage.
 - $\text{GPS speed} / \text{displayed speed} \times 100$
 - Sample - $[60/50=1.2]$ $[1.2 \times 100 = 120]$ **120%**
 - Enter setup and go to **ADJUST**, tap SW1 (I) to increment from 100% up to 125%.
 - After 125% the values will fall back to 75% and increment up again.
 - When the desired percentage is reached, hold SW1 (I) until **DONE** is displayed
- Tap SW1 (I) until **SPEED DONE** is displayed.
- Press and hold SW1 (I) until a big **DONE** is displayed.

Obtaining RPM from the BIM-01-2

- Hold the SW1 (I) switch from the instrument system control box while turning the key on.
 - The message display should show **SETUP**.
- Release SW1 (I) - LCD1 should show **SETUP SPEED**.
- Tap SW1 (I) until **SETUP TACH** is displayed.
- Press and hold SW1 (I) for at least 3 seconds until **TACH ENGINE** is displayed.
- Press and hold SW1 (I) for at least 3 seconds until **ENGINE** is displayed.
- Release the switch and **ENGINE Ⓚ** will be displayed.
- Tap SW1 (I) until **ENGINE BUS** is displayed.
- Press and hold SW1 (I) until **DONE** is displayed.
- Tap SW1 (I) until **TACH DONE** is displayed.
- Press and hold SW1 (I) until a big **DONE** is displayed.

Obtaining engine temperature from the BIM-01-2

- Hold the SW1 (I) switch from the instrument system control box while turning the key on.
 - The message display should show **SETUP**.
- Release SW1 (I) - LCD1 should show **SETUP SPEED**.
- Tap SW1 (I) until **SETUP WATER** is displayed.
- Press and hold SW1 (I) for at least 3 seconds until **WATER SENDER** is displayed.
- Press and hold SW1 (I) for at least 3 seconds until **SENDER DD F** is displayed.
- Release the switch and **SENDER DD F** will be displayed.
- Tap SW1 (I) until **SENDER BUS F** (Fahrenheit) is displayed.
 - Tap SW1 (I) once more for **SENDER BUS C** (Celsius) if desired.
- Press and hold SW1 until **DONE** is displayed.
- Tap SW1 (I) until **WATER DONE** is displayed.
- Press and hold SW1 (I) until a big **DONE** is displayed.

VHX Setup Continued:

Obtaining oil pressure from the BIM-01-2 (if available)

- Hold the SW1 (I) switch from the instrument system control box while turning the key on.
 - The message display should show **SETUP**.
- Release SW1 (I) - LCD1 should show **SETUP SPEED**.
- Tap SW1 until **SETUP OIL** is displayed.
- Press and hold SW1 (I) for at least 3 seconds until **OIL SENDER** is displayed.
- Press and hold SW1 (I) for at least 3 seconds until **SENDER NORMAL** is displayed.
- Release the switch and **SENDER NORMAL** will be displayed.
- Tap SW1 (I) until **SENDER BUS** is displayed.
- Press and hold SW1 (I) until **DONE** is displayed.
- Tap SW1 (I) until **OIL DONE** is displayed.
- Press and hold SW1 (I) until a big **DONE** is displayed.

HDX and RTX setup:

****HDX/RTX systems can be configured with the Dakota Digital app for Apple and Android devices****

HDX and RTX Operations

- **HDX:** With the ignition key already on, press and hold both switches to enter SETUP, release when instructed.
 - If using the external rocker switch, hold SW2 (II) while turning the ignition on.
 - Release the switch when SETUP is shown.
 - Left switch on display is SW1, and right switch on display is SW2
- **RTX:** With the ignition off, press hold SW2 (II) while turning the ignition key on to enter SETUP
 - Release the switch when SETUP is shown.
- **BOTH:** When holding for an option, release the button when the screens says **“RELEASE”**
- **BOTH:** You may skip to whichever reading you'd like to configure below; they do not need to be done in order.
- **BOTH:** After making a selection, tap a switch and select BACK to save and return to the main menu, then select EXIT SETUP to return to normal operation.
- **BOTH:** SWI (left) moves up ↑ the menu list, SWII (right) moves down ↓ the menu list

Obtaining speed from the BIM-01-2

- Tap SWII (right) switch until SPEED is selected. Press and hold SWII (right) switch to enter SPEED menu.
- Tap SWII (right) switch until INPUT is displayed. Press and hold SWII (right) switch to enter INPUT menu.
- SIGNAL will be is displayed. Press and hold SWII (right) switch to enter SIGNAL menu.
- Tap right switch until BIM is displayed. Press and hold SWII (right) switch to select BIM.
- When SIGNAL is displayed again, tap switch until BACK is displayed, then hold to return to INPUT.
- When INPUT is displayed again, tap switch until BACK is displayed, then hold the switch to exit.
 - **NOTE:** The AUTO CAL, auto calibration, is not accessible.
 - ADJUST now only alters the percentage of speed by +/- 25%.
 - After the engine is running, enter setup and go to ADJUST.
 - While driving a known speed, SWI and SWII (left/right) can adjust speed.
 - *Percentage can also be adjusted without driving.*
 - Tap SWII (right) to increment up to 125%.
 - Tap SW1 (left) to decrement down to 75%.
 - The speed will be displayed in the LCD along with the percent chosen.
 - Once the speed is correct, hold either switches until RELEASE is displayed.
 - You may now continue to exit the setup menu.
 - The Dakota Digital Automotive app can also be used either while driving or not driving.

Obtaining RPM from the BIM-01-2

- Tap SWII (right) switch until TACH is selected. Press and hold SWII (right) switch to enter TACH menu.
- Tap SWII (right) switch until INPUT is displayed. Press and hold SWII (right) switch to enter INPUT menu.
- Tap SWII (right) switch until CYLINDER is displayed. Press and hold SWII (right) switch to select CYLINDER.
- Tap SWI (**left**) switch until BIM is displayed. Press and hold SWII (right) switch to select BIM.
- When INPUT is displayed again, tap until BACK is displayed, then hold the switch to exit.

Obtaining engine temperature from the BIM-01-2

- Tap SWII (right) switch until WATER is selected. Press and hold SWII (right) switch to enter WATER menu.
- Tap SWII (right) switch until INPUT is displayed. Press and hold SWII (right) switch to enter INPUT menu.
- Tap SWII (right) switch until BIM is displayed. Press and hold SWII (right) switch to select BIM.
- When INPUT is displayed again, tap until BACK is displayed, then hold the switch to exit.

Obtaining oil pressure from the BIM-01-2 (if available)

- Tap SWII (right) switch until OIL is selected. Press and hold SWII (right) switch to enter OIL menu.
- Tap SWII (right) switch until INPUT is displayed. Press and hold SWII (right) switch to enter INPUT menu.
- Tap SWII (right) switch until BIM is displayed. Press and hold SWII (right) switch to select BIM.
- When INPUT is displayed again, tap until BACK is displayed, then hold the switch to exit.

BIM setup:

BIM menu table:

Menu	Options	Default	Notes
<i>Id</i>	<i>61</i>	<i>62</i>	These ID options are designed for J1850 protocol. If the BIM isn't reading properly, try adjusting to a different ID.
	<i>62</i>		
	<i>F1</i>		
	<i>F2</i>		
<i>Eng</i>	<i>On</i>	<i>On</i>	Check engine light sent by ECU.
	<i>OFF</i>		
<i>GP</i>	<i>On</i>	<i>On</i>	Enable or disable gear position being read by BIM.
	<i>OFF</i>		
<i>bSt</i>	<i>OFF</i>	<i>OFF</i>	Enables boost reading. This reading is calculated from the MAP sensor.
	<i>On</i>		
<i>tCh</i>	<i>Std</i>	<i>Std</i>	Standard SAE tach request to ECU.
	<i>Frd</i>		Ford Performance proprietary tach signal from ECU.
<i>SPd</i>	<i>Std</i>	<i>Std</i>	Standard SAE speed request to ECU.
	<i>Frd</i>		Ford Performance proprietary speed signal from ECU.
<i>End</i>			Exit Setup.

To set or change the diagnostic bus ID numbers:

When using the pre-CAN bus GM J1850 or Ford J1850 protocols, the unit must have a unique ID to identify itself on the bus. By default, this is set to use an instrument system bus ID and should not normally need to be changed. If there is another module already using this ID, then another can be selected. Some vehicles may require F1 or F2 ID's to be selected for proper operation. 61 and 62 are gauge ID's and F1 and F2 are scan tool ID's.

- Hold the switch on the BIM-01-2 case while turning the key on. The BIM display will show the current revision code while this is held.
- Release the switch. The display will show “- *Id*”.
- Press and hold the switch to enter the “- *Id*” menu. The BIM will then display the currently selected bus ID.
- When you see “- - -” on the display, release the switch.
- Tap the switch to change the setting from *61*, *62*, *F1*, or *F2*.
- To save setting press and hold the switch until you see “- - -” on the display, then release the switch.
- The display will show “*End*”. Press and hold the switch to exit setup or tap to choose another menu option.

Enable or disable engine indicator status from the BIM-01-2

- Hold the switch on the BIM-01-2 case while turning the key on. The BIM display will show the current revision code while this is held.
- Release the switch.
- Tap the switch until the display shows “*Eng*” (engine). Press and hold to enter this menu.
- When you see “- - -” on the display release the switch.
- The display will show the current state or the engine indicator *On* (enable) or *OFF* (disable).
- Tap the switch to change the state.
- To save setting press and hold the switch until you see “- - -” on the display, then release the switch.
- The display will show “*End*”. Press and hold the switch to exit setup or tap to choose another menu option.

BIM setup continued:

Enable or disable gear position output from the BIM-01-2

- Hold the switch on the BIM-01-2 case while turning the key on. The BIM display will show the current revision code while this is held.
- Release the switch.
- Tap the switch until the display shows “**9 P**” (gear position). Press and hold to enter this menu.
- When you see “---” on the display release the switch.
- The display will show the current state of the gear position **on** * (enable) or **oFF** (disable).
- Tap the switch to change the state.
- To save setting press and hold the switch until you see “---” on the display, then release the switch.
- The display will show “**End**”. Press and hold the switch to exit setup or tap to choose another menu option.

Enable or disable vacuum/boost output from the BIM-01-2

****Note:** This reading is taken from the MAP sensor. A functional MAP sensor is required for an accurate reading. Vacuum reading is in inHg and boost is in PSI.

- Hold the switch on the BIM-01-2 case while turning the key on. The BIM display will show the current revision code while this is held.
- Release the switch.
- Tap the switch until the display shows “**b5t**” (boost). Press and hold to enter this menu.
- When you see “---” on the display release the switch.
- The display will show the current state for boost enable **on** * (enable) or **oFF** (disable).
- If turning **on** ensure the BIM is connected to a VHX/HDX/VFD3/RTX system because the BIM will automatically choose a BIM channel on the system.
- Tap the switch to change the state.
- To save setting press and hold the switch until you see “---” on the display, then release the switch.
- The display will show “**End**”. Press and hold the switch to exit setup or tap to choose another menu option.

Enable RPM signal for Ford Performance control pack/Coyote Engines

****Note:** It is recommended to use the default setting (**5td**). Only enable this setting if your RPM signal is not functioning.

- Hold the switch on the BIM-01-2 case while turning the key on. The BIM display will show the current revision code while this is held.
- Release the switch.
- Tap the switch until the display shows “**tch**” (TACH). Press and hold to enter this menu.
- When you see “---” on the display release the switch.
- The display will show the current state **5td** (standard) or **Fr d** (Ford).
- Tap the switch to change the state.
- To save setting press and hold the switch until you see “---” on the display, then release the switch.
- The display will show “**End**”. Press and hold the switch to exit setup or tap to choose another menu option.

Enable Speed signal for Ford Performance control pack/Coyote Engines

****Note:** It is recommended to use the default setting (**5td**). Only enable this setting if your Speed signal is not functioning.

- Hold the switch on the BIM-01-2 case while turning the key on. The BIM display will show the current revision code while this is held.
- Release the switch.
- Tap the switch until the display shows “**SPd**” (SPEED). Press and hold to enter this menu.
- When you see “---” on the display, release the switch.
- The display will show the current state **5td** (standard) or **Fr d** (Ford).
- Tap the switch to change the state.
- To save setting press and hold the switch until you see “---” on the display then release the switch.
- The display will show “**End**”. Press and hold the switch to exit setup or tap to choose another menu option.

Quick tips:

While the BIM is operating, the dot in the upper left corner of the display will indicate the status:

- On steady indicates it is powered up but not receiving any BIM bus activity.
- Flashing indicates it is communicating on the BIM bus.
- A dot in the upper center indicates that there is an engine code set (MIL active).
- If the display is sequencing through “-J-”, “-F-”, “-C-”, then it is scanning to try and communicate with the vehicle bus but cannot get an answer.
 - This could indicate that the OBDII connector is not wired properly
 - The BIM-01-2 is not compatible with following the ECU types
 - European or Asian protocols
 - Non SAE standard (US) CAN bus
 - Pre OBDII years
 - Chrysler ECUs older than 2004

To see the sensor and channel status on the BIM display, press and hold the switch to cycle through the screens.

The first items to show is the protocol letter with a number “F” (Ford), “J” (GM/Chrysler J-1850), or “C” (CAN).

If the first thing displayed is “C 3”, the BIM-01-2 is reading CAN, and three extra readings.

Speed, RPMs, and engine temp are expected, everything else is an extra.

The next screens will indicate which data is available:

“EOP” - Engine Oil Pressure
 “EFF” - Transmission Fluid Temp
 “AAE” - Ambient Air Temp
 “IAE” - Intake Air Temp
 “G P” - Gear Position
 “FL I” - Fuel Level Input
 “bSE” - Boost/Vacuum data
 “SPd” - Speed data
 “ECH” - RPM/Tachometer data
 “EEL” - Engine Coolant Temp

If you do not see any number of these listed it means it may not be transmitted for the BIM-01-2 to read.

Emissions note:

If your vehicle requires emissions testing in your area, the check engine feature of this unit cannot be used to operate the Check Engine or Service Engine indicator.

Troubleshooting guide:

Problem	Possible cause	Solution
No BIM data on instrument readout; BIM does not light up.	PWR wire does not have power. GND wire is not properly grounded. Power/data harness is damaged. Module is damaged.	Connect to a location that has +12V key-on power. Connect to a different ground location. Inspect harness. Repair or replace any damaged areas. Return for service. (see instructions)
No BIM data on instrument readout; BIM display is scanning “J”, “F”, “C”	OBD-II Interface cable is not connected. The vehicle bus is not compatible. The bus ID is not compatible.	Connect the supplied OBD-II cable between the BIM unit and the vehicle diagnostic plug. Vehicles using the ISO 9141-2 protocol are not compatible with the BIM-01-2. Some vehicles require the bus ID to be changed to F1, or F2.
No BIM data on instrument readout; BIM has a steady dot lit.	Interface cable is not connected. Interface cable is loose. On VHX systems, the BIM display for this channel is disabled.	Connect the supplied harness between the BIM unit and the instrument system control box. Ensure both ends of the cable are seated securely. Follow instructions in VHX manual to enable the BIM display screen.
BIM display shows “BB:B”	Data cable is damaged or connected improperly. Another module on the bus is damaged.	Inspect and replace harness or power/data harness. Inspect other modules on the data bus.

Notes:

SERVICE AND REPAIR

DAKOTA DIGITAL offers complete service and repair of its product line. In addition, technical support is available to help you work through any questions or problems you may be having installing one of our products. Please read through the Troubleshooting Guide. There, you will find the solution to most problems.

For additional support, please visit www.dakotadigital.com. A “**Product Support**” link will be found at the bottom of the home page.

Should you ever need to send the unit back for repairs, please call our technical support line, (605) 332-6513, to request a Return Merchandise Authorization number.

- Package the product in a good quality box along with plenty of packing material.
- Ship the product by a common carrier with tracking abilities.
- Be sure to include the RMA number on the package.
- Include a complete description of the problem, with RMA number, your full name and address (street address preferred), and a telephone number where you can be reached during the day.
- Any returns for warranty work must include a copy of the dated sales receipt from your place of purchase.
- Send no money. We will contact you for payment.

Dakota Digital Limited Lifetime Warranty

DAKOTA DIGITAL warrants to the ORIGINAL PURCHASER of this product that should it, under normal use and condition, be proven defective in material or workmanship for the lifetime of the original vehicle it was installed in, such defect(s) will be repaired or replaced at Dakota Digital’s option.

This warranty does not cover nor extend to damage to the vehicle’s systems, and does not cover diagnosis, removal or reinstallation of the product. This Warranty does not apply to any product or part thereof which in the opinion of the Company has been damaged through alteration, improper installation, mishandling, misuse, neglect, or accident. Dakota Digital assumes no responsibility for loss of time, vehicle use, owner inconvenience nor related expenses.

Dakota Digital will cover the return standard freight once the product has been evaluated for warranty consideration, however the incoming transportation is to be covered by the owner.

This Warranty is in lieu of all other expressed warranties or liabilities. Any implied warranties, including any implied warranty of merchantability, shall be limited to the duration of this written warranty. No person or representative is authorized to assume, for Dakota Digital, any liability other than expressed herein in connection with the sale of this product.

⚠ WARNING: This product can expose you to chemicals including lead, which is known to the State of California to cause cancer and birth defects or other reproductive harm. For more information go to www.P65Warnings.ca.gov



4510 W. 61st St. North
Sioux Falls, SD 57107
www.dakotadigital.com
dakotasupport@dakotadigital.com

Phone (605) 332-6513
Fax (605) 339-4106

© Copyright 2021 - Dakota Digital