

Parts Catalog

FARMTRAC

TRACTOR FARMTRAC 25H MS 4WD

Escorts Agri Machinery

TABLE INDEX

Sr No.	Table Name	Table No.	Page No.
1	ENGINE ASSEMBLY MITSUBISHI DRESSED UP	1	1-2
2	ACCESSORY	2	3-4
3	BREATHER	3	5-6
4	CAMSHAFT & TAPPET	4	7-8
5	CONNECTING ROD	5	9-10
6	COOLING SYSTEM	6	11-12
7	CRANK PULLEY	7	13-14
8	CRANKCASE (ASSY)	8	15-16
9	CRANKCASE (OIL SEAL CASE)	9	17-18
10	CRANKSHAFT	10	19-20
11	CYLINDER HEAD	11	21-22
12	DRAIN COCK & PIPE	12	23-24
13	ENGINE CONTROL (STOP)	13	25-26
14	ENGINE SUPPORT	14	27-28
15	EXHAUST SYSTEM	15	29-30
16	FAN SPACER	16	31-32
17	FUEL INJECTION PUMP DRIVE	17	33-34
18	FUEL SYSTEM	18	35-36
19	FUEL SYSTEM (NOZZLE ASSY)	19	37-38
20	GLOW PLUG & WIRE	20	39-40
21	GOVERNOR	21	41-44
22	INJECTION PUMP	22	45-46
23	INJECTION PUMP (ASSY)	23	47-48
24	INLET SYSTEM	24	49-50
25	INSTRUMENT	25	51-52
26	LIFTING EYE	26	53-54
27	MAIN BEARING	27	55-56
28	OIL FILLER & GUAGE	28	57-58
29	OIL FILTER	29	59-60
30	OIL PAN	30	61-62

TABLE INDEX

Sr No.	Table Name	Table No.	Page No.
31	OIL PUMP	31	63-64
32	OIL STRAINER	32	65-66
33	OIL SYSTEM	33	67-68
34	OVERHAUL GASKET KIT	34	69-70
35	PISTON	35	71-72
36	ROCKER COVER	36	73-74
37	TIMING GEAR	37	75-76
38	TIMING GEAR CASE	38	77-78
39	VALVE MECHANISM	39	79-80
40	WATER PUMP & OIL PUMP	40	81-82
41	WATER PUMP PULLEY	41	83-84
42	EXHAUST SYSTEM SUBASSEMBLY	42	85-86
43	TUBING FUEL SYSTEM SUBASSEMBLY	43	87-88
44	FUEL TANK SUBASSEMBLY	44	89-90
45	FRAME FUEL TANK AND BRACKET HINGE ASSEMBLY	45	91-92
46	LINKAGE ASSEMBLY THROTTLE CONTROL (HST EPA)	46	93-94
47	AIR CLEANER SUBASSEMBLY	47	95-96
48	COOLING SYSTEM SUBASSEMBLY	48	97-98
49	COOLER OIL SUBASSEMBLY (HST)	49	99-100
50	AXLE FRONT WITH CYLINDER AND LINK ASSEMBLY	50	101-102
51	AXLE FRONT SUBASSEMBLY	51	103-104
52	COVER ASSEMBLY GUARD STEERING CYLINDER	52	105-106
53	WHEEL STEERING AND UNIT STEERING SUBASSEMBLY	53	107-108
54	TUBING POWER STEERING SUBASSEMBLY	54	109-112
55	WHEEL AND TYRE ASSEMBLY FRONT 23x8.50-12 (M/s BKT - INDUSTRIAL)	55	113-114
56	HOUSING ASSEMBLY SWIVEL FRONT AXLE RH WITH HARDWARE SUBASSEMBLY (4WD COMPACT)	56	115-118
57	HOUSING ASSEMBLY SWIVEL FRONT AXLE LH WITH HARDWARE SUBASSEMBLY (4WD COMPACT)	57	119-122
58	PILLOW BLOCK SUBASSEMBLY FRONT	58	123-124
59	PILLOW BLOCK SUBASSEMBLY REAR	59	125-126
60	HOUSING ASSEMBLY FRONT AXLE CENTER BEAM SUBASSEMBLY	60	127-128

TABLE INDEX

Sr No.	Table Name	Table No.	Page No.
61	DRIVE TRAIN INPUT FRONT HOUSING HST ASSEMBLY	61	129-130
62	HOUSING FRONT HST ASSEMBLY	62	131-132
63	HST UNIT SUBASSEMBLY WITH HARDWARE	63	133-134
64	DRIVE TRAIN 4WD SUBASSEMBLY (HST)	64	135-136
65	RETAINER AND GEAR PAIR INPUT SUB ASSEMBLY WITH HARDWARE (HST)	65	137-138
66	HOUSING ASSEMBLY INTERMEDIATE (HST)	66	139-140
67	CLUTCH WET PTO SUBASSEMBLY	67	141-142
68	HOUSING REAR AXLE CENTRE SUBASSEMBLY (HST)	68	143-144
69	GEAR AND DIFFERENTIAL REAR AXLE SUBASSEMBLY	69	145-146
70	DIFFERENTIAL LOCK SUBASSEMBLY	70	147-148
71	RETAINER BEARING DIFFERENTIAL SUBASSEMBLY LH	71	149-150
72	RETAINER BEARING DIFFERENTIAL SUBASSEMBLY RH	72	151-152
73	HOUSING REAR AXLE RH SUBASSEMBLY	73	153-156
74	HOUSING REAR AXLE LH SUBASSEMBLY	74	157-158
75	PTO REAR SHIFTING ASSEMBLY (HST)	75	159-160
76	PTO MID SHIFTING ASSEMBLY	76	161-162
77	RETAINER PTO BEARING AND SEAL ASSEMBLY	77	163-164
78	GEAR AND SHAFT PTO SUBASSEMBLY (HST)	78	165-166
79	PTO MID DROP BOX SUBASSEMBLY	79	167-168
80	PLATE INTERMEDIATE TRANSMISSION ASSEMBLY (Z-24)	80	169-170
81	GEAR DRIVE TRAIN RANGE ASSEMBLY (9+3)	81	171-172
82	RANGE GEAR SHIFTING ASSEMBLY (COMPACT)	82	173-174
83	HARDWARE BUCKLE UP TRANSMISSION AND REAR AXLE SUBASSEMBLY	83	175-176
84	HARDWARE BUCKLE UP ADAPTOR PLATE AND BACKEND SUBASSEMBLY	84	177-178
85	HARDWARE BUCKLE UP ADAPTOR PLATE & BACKEND SUBASSEMBLY	85	179-180
86	DRESSED UP TRANSMISSION ASSEMBLY	86	181-182
87	LINKAGE ASSEMBLY DIFFERENTIAL LOCK CONTROL	87	183-184
88	LEVER MID PTO GEAR SHIFT SUBASSEMBLY	88	185-186
89	LEVER POSITION CONTROL SUBASSEMBLY	89	187-188
90	LEVER PTO GEAR SHIFT SUBASSEMBLY	90	189-190

TABLE INDEX

Sr No.	Table Name	Table No.	Page No.
91	LEVER CONTROL 2WD 4WD SUBASSEMBLY	91	191-192
92	LEVER RANGE HIGH LOW MEDIUM GEAR SHIFT SUBASSEMBLY	92	193-194
93	SHAFT PROPELLER ASSEMBLY (4WD COMPACT HST)	93	195-196
94	GUARD ASSEMBLY PROPELLER SHAFT	94	197-198
95	PEDAL SPEED CONTROL AND CRUISE CONTROL SUBASSEMBLY	95	199-202
96	BRAKE LINKAGE SUB ASSEMBLY (HST)	96	203-204
97	WHEEL AND TYRE ASSEMBLY REAR 33x15.50-16.50 (M/s BKT - INDUSTRIAL)	97	205-206
98	DRAFT SENSING HYDRAULIC SUBASSEMBLY (COMPACT)	98	207-208
99	CYLINDER PISTON AND VALVE SUBASSEMBLY (COMPACT)	99	209-210
100	POWER TRANSFER SUBASSEMBLY (COMPACT)	100	211-212
101	QUADRANT HYDRAULIC SUBASSEMBLY COMPACT	101	213-214
102	CONTROL LINKAGES HYDRAULIC SUBASSEMBLY COMPACT	102	215-216
103	COVER HYDRAULIC SUBASSEMBLY (COMPACT) WITH FCV	103	217-218
104	TUBING HYDRAULIC SUCTION SUBASSEMBLY	104	219-220
105	TUBING HYDRAULIC PRESSURE SUBASSEMBLY	105	221-222
106	PUMP HYDRAULIC LIFT ASSEMBLY	106	223-224
107	HYDRAULIC LIFT SUBASSEMBLY (COMPACT WITH FCV AND PC LEVER ONLY)	107	225-226
108	LINKAGE THREE POINT SUBASSEMBLY	108	227-228
109	SWINGING DRAWBAR SUB ASSEMBLY	109	229-230
110	HARNESS SUBASSEMBLY	110	231-234
111	HOOD FRONT SUBASSEMBLY	111	235-238
112	HOOD REAR SUBASSEMBLY (HST)	112	239-240
113	COVER ASSEMBLY ENGINE SIDE RH	113	241-242
114	COVER ASSEMBLY ENGINE SIDE LH	114	243-244
115	LATCH ASSEMBLY HOOD FRONT	115	245-246
116	GUIDE SUPPORT AND GAS SPRING FRONT HOOD SUBASSEMBLY	116	247-248
117	GUIDE SUPPORT AND RADIATOR FRAME SUBASSEMBLY	117	249-250
118	FENDER SUBASSEMBLY (HST NON JOYSTICK)	118	251-254
119	BOARD RUNNING RH AND LH SUB ASSEMBLY	119	255-256
120	ROPS FOLDABLE SUBASSEMBLY COMPACT	120	257-258

TABLE INDEX

Sr No.	Table Name	Table No.	Page No.
121	SEAT DRIVER SUBASSEMBLY (EXPORT)	121	259-260
122	ACCESSORIES SUBASSEMBLY KUBOTA	122	261-262
123	DECAL AND BADGES MODEL IDENTIFICATION ASSEMBLY HST	123	263-264
124	HARDWARE BUCKLE UP HOUSING INTERMEDIATE AND FRONT SUBASSEMBLY	124	265-266

TABLE-1
ENGINE ASSEMBLY MITSUBISHI DRESSED UP

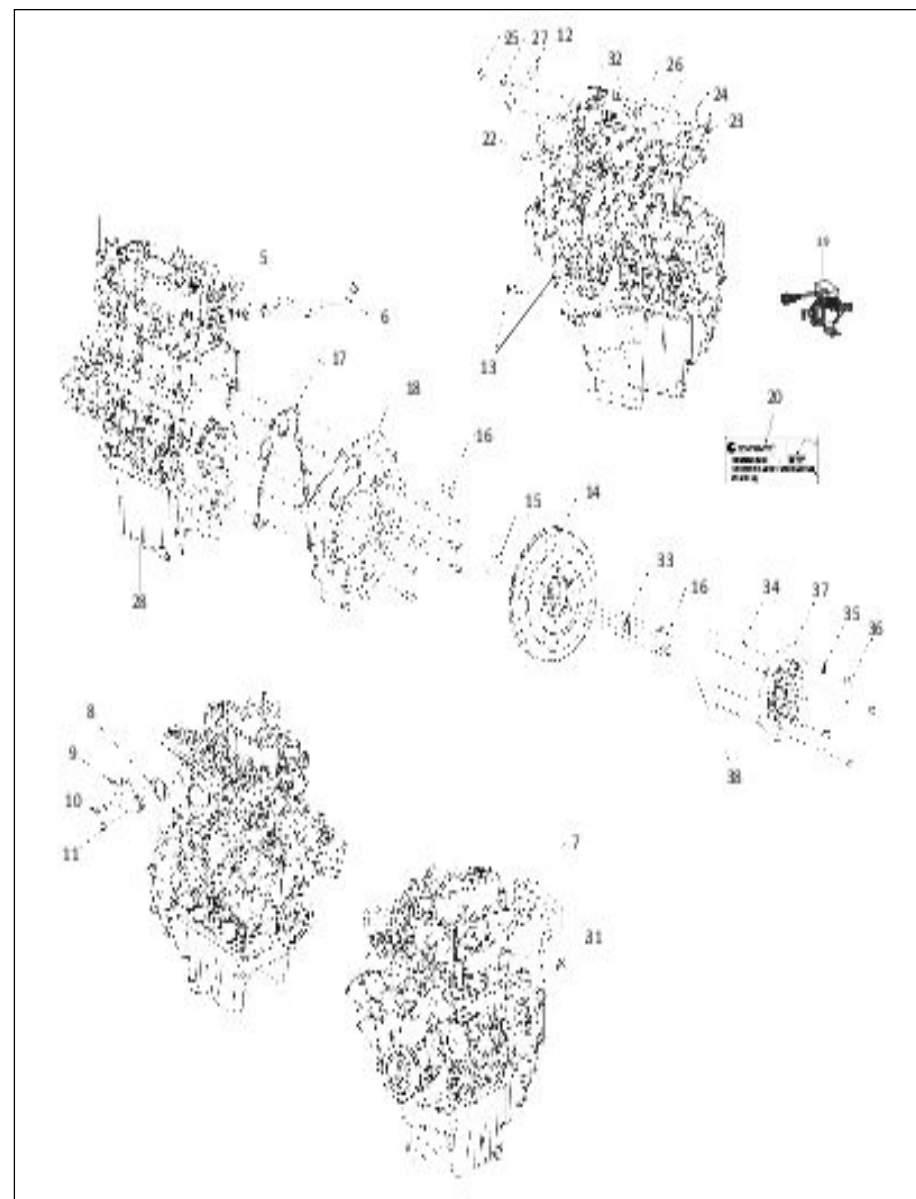


TABLE-1
ENGINE ASSEMBLY MITSUBISHI DRESSED UP

Fig. No.	Part No.	Description	Qty
5Â	D10017460.9	CLAMP ASSEMBLY FUEL TUBE	1
6Â	D10567380.9	HOSE ASSEMBLY FUEL TANK RETURN	1
7Â	D10551060.9	BRACKET SUPPORT MUFFLER HORIZONTAL	1
8Â	D10536300.9	GASKET INTAKE ELBOW MITSUBISHI ENGINE (S3L2)	1
9Â	D10536290.9	ELBOW INTAKE MANIFOLD MITSUBISHI ENGINE (S3L2)	1
10Â	D81502510.9	BOLT M8X1.25X60-8.8 HEX HEAD FLANGED (WHITE PASSIVATED)	1
11Â	D82500230.9	SCREW M8X1.25X20-8.8 HEX HEAD FLANGED	1
11Â -1	D82500230AD.9	SCREW M8X1.25X20-8.8 HEX HEAD FLANGED	1
12Â	D10524990.9	LEVER ALTERNATOR ADJUSTING	1
13Â	D84500450.9	STUD B M12X45-10.9	2
14	D10607060AE.9	FLYWHEEL ASSEMBLY (MITSUBISHI MVS3L2-W463JCET)	1
15Â	D87500570.9	PIN 9.5X20 PLAIN DOWEL	1
16Â	D81503200.9	BOLT M12X1.25X30-10.9 HEX HEAD	12
17Â	D10525000.9	GASKET REAR PLATE ENGINE	1
18	D10524940AI.9	ADAPTER ENGINE TRANSMISSION COUPLING	1
18-1	D10524940AJ.9	ADAPTER ENGINE TRANSMISSION COUPLING	1
20Â	D10908700AA.9	DECAL E4.346 CRDI (75HP)	1
22Â	D81500470.9	BOLT M10X1.50X115 HEX HEAD	1
23Â	D83500090.9	NUT M10X1.50-8 HEX	1
24Â	D86500050.9	WASHER M10 SPRING LOCK	1
25Â	D82500060.9	SCREW M8X1.25X30-8.8 HEX HEAD	1
26Â	D83500060.9	NUT M8X1.25-6 HEX	1
27Â	D85500050.9	WASHER M8 FLAT	1
28	D10594370.9	ENGINE ASSEMBLY MITSUBISHI MVS3L2-W463JCET (18.4KW@2500RPM)	1
31Â	D85500140.9	WASHER M10 FLAT	1
32Â	D86500030.9	WASHER M8 SPRING LOCK	1
33Â	D10538690.9	BEARING BALL 6001 2RS	1
34Â	D87500720.9	PIN 6X20 PLAIN DOWEL	3
35Â	D86500030.9	WASHER M8 SPRING LOCK	4
36Â	D81500110.9	BOLT M8X1.25X20-8.8 HEX HEAD	4
37Â	D10809900.9	DAMPER ASSEMBLY	1
38Â	D10044920.9	DOWEL FLY-WHEEL	2
39	D10561430.9	PUMP ASSEMBLY FUEL FEED	1

TABLE-2
ACCESSORY

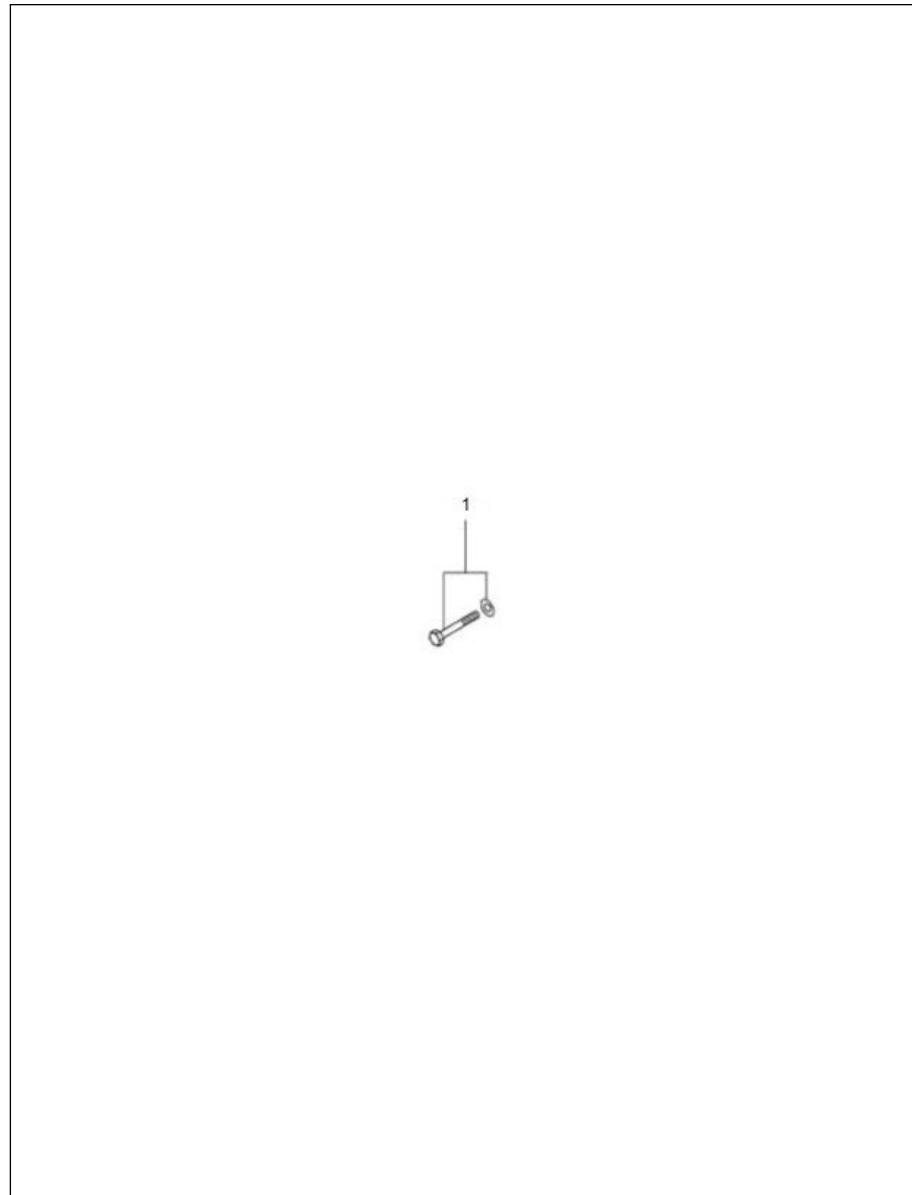


TABLE-2
ACCESSORY

Fig. No.	Part No.	Description	Qty
1	D10734200.9	BOLT,W/WASHER (MITSUBISHI PART NO. F1805-08065)	2

TABLE-3
BREATHER

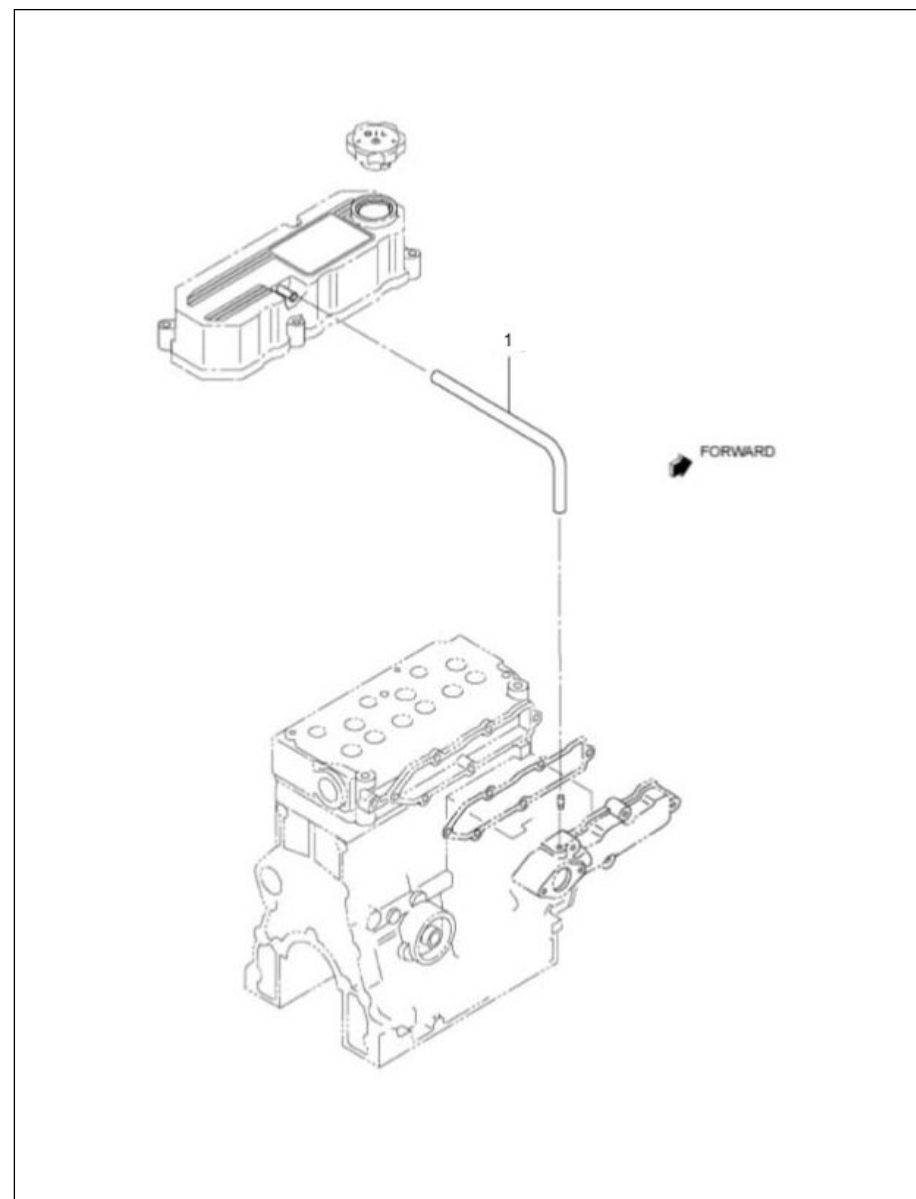


TABLE-3
BREATHER

Fig. No.	Part No.	Description	Qty
1	D10698180.9	HOSE BREATHER (MITSUBISHI PART NO 31N4300101)	1

TABLE-4
CAMSHAFT & TAPPET

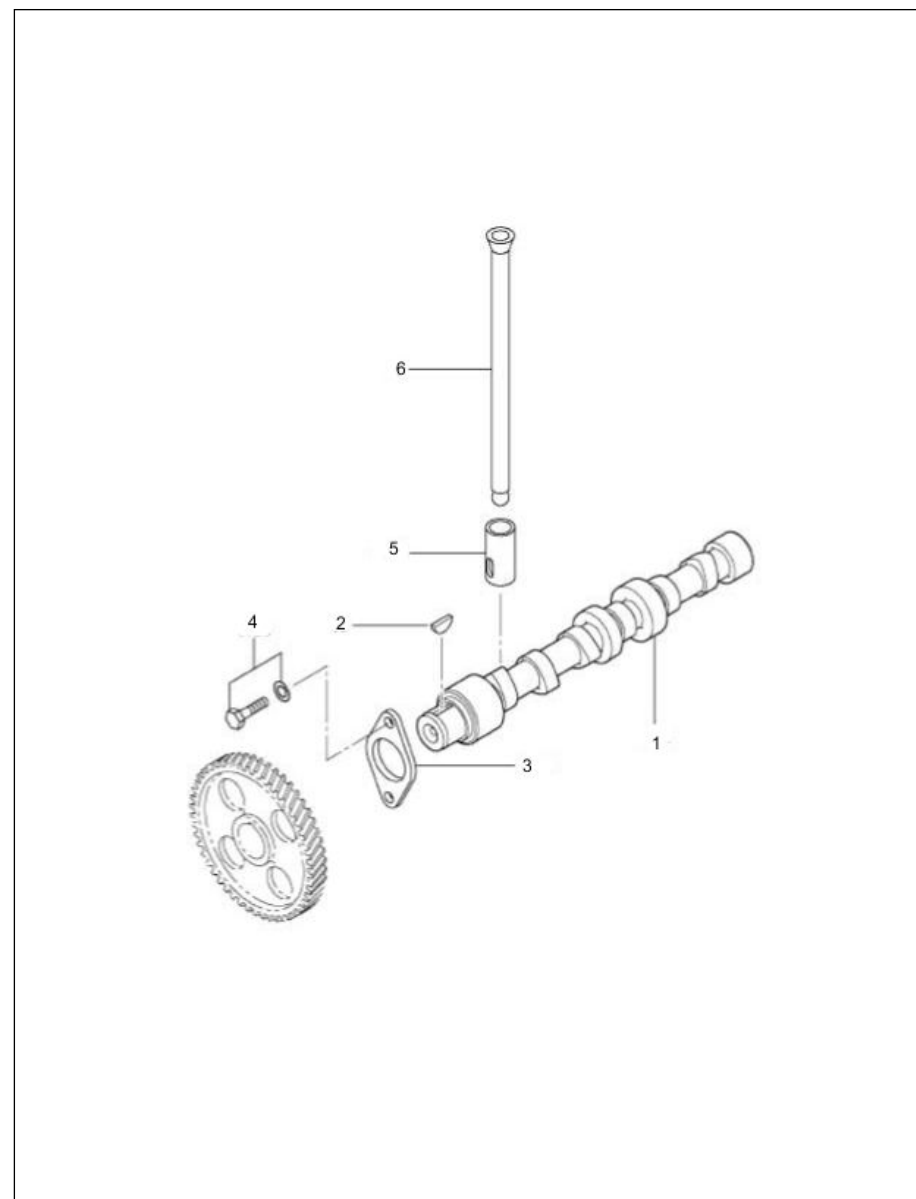


TABLE-4
CAMSHAFT & TAPPET

Fig. No.	Part No.	Description	Qty
1	D11404070AA.9	CAMSHAFT	1
2	D10732920.9	KEY,WOODRUFF (MITSUBISHI PART NO. F2872-05019)	1
3	D10732930.9	PLATE,THRUST (MITSUBISHI PART NO. 31N05-00300)	1
4	D10732940.9	BOLT,W/WASHER (MITSUBISHI PART NO. F1805-08016)	2
5	D10732950.9	TAPPET (MITSUBISHI PART NO. 31N05-00400)	6
6	D10732960.9	ROD,PUSH (MITSUBISHI PART NO. 31N05-00500)	6

TABLE-5
CONNECTING ROD

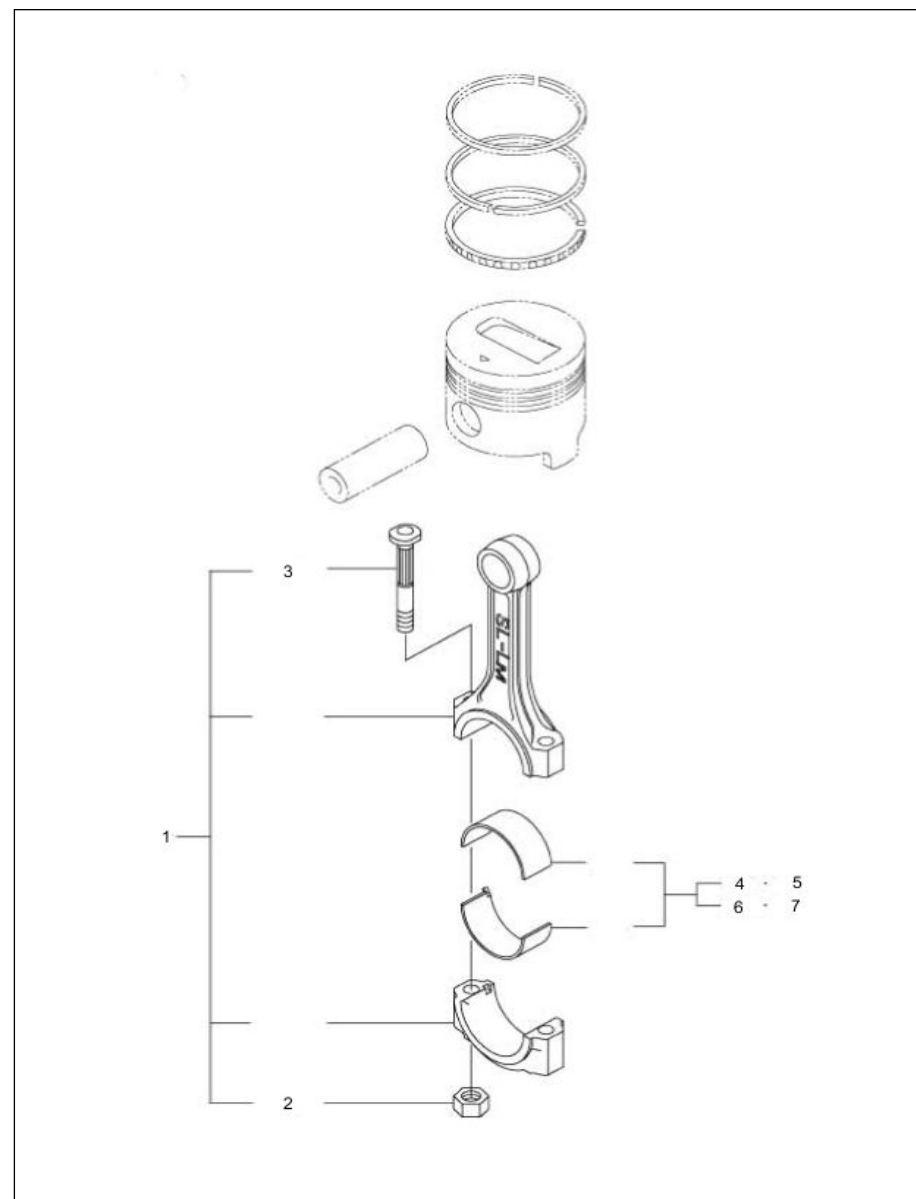


TABLE-5
CONNECTING ROD

Fig. No.	Part No.	Description	Qty
1	D10733660.9	ROD ASSY,CONNECTING (MITSUBISHI PART NO. 31N19-00070)	3
2	D10733670.9	NUT,CONNECTING ROD (MITSUBISHI PART NO. MD006704)	6
3	D10733680.9	BOLT,CONNECTING ROD (MITSUBISHI PART NO. MD021105)	6
4	D10733690.9	BEARING SET,CONNECTIN ROD (MITSUBISHI PART NO.30A19-00040)	3
5	D10733700.9	BEARING SET,CONNECTIN ROD (MITSUBISHI PART NO. 30A19-10010)	3
6	D10733710.9	BEARING SET,CONNECTIN ROD (MITSUBISHI PART NO. 30A19-10020)	3
7	D10733720.9	BEARING SET,CONNECTIN ROD (MITSUBISHI PART NO. 30A19-10030)	3

TABLE-6
COOLING SYSTEM

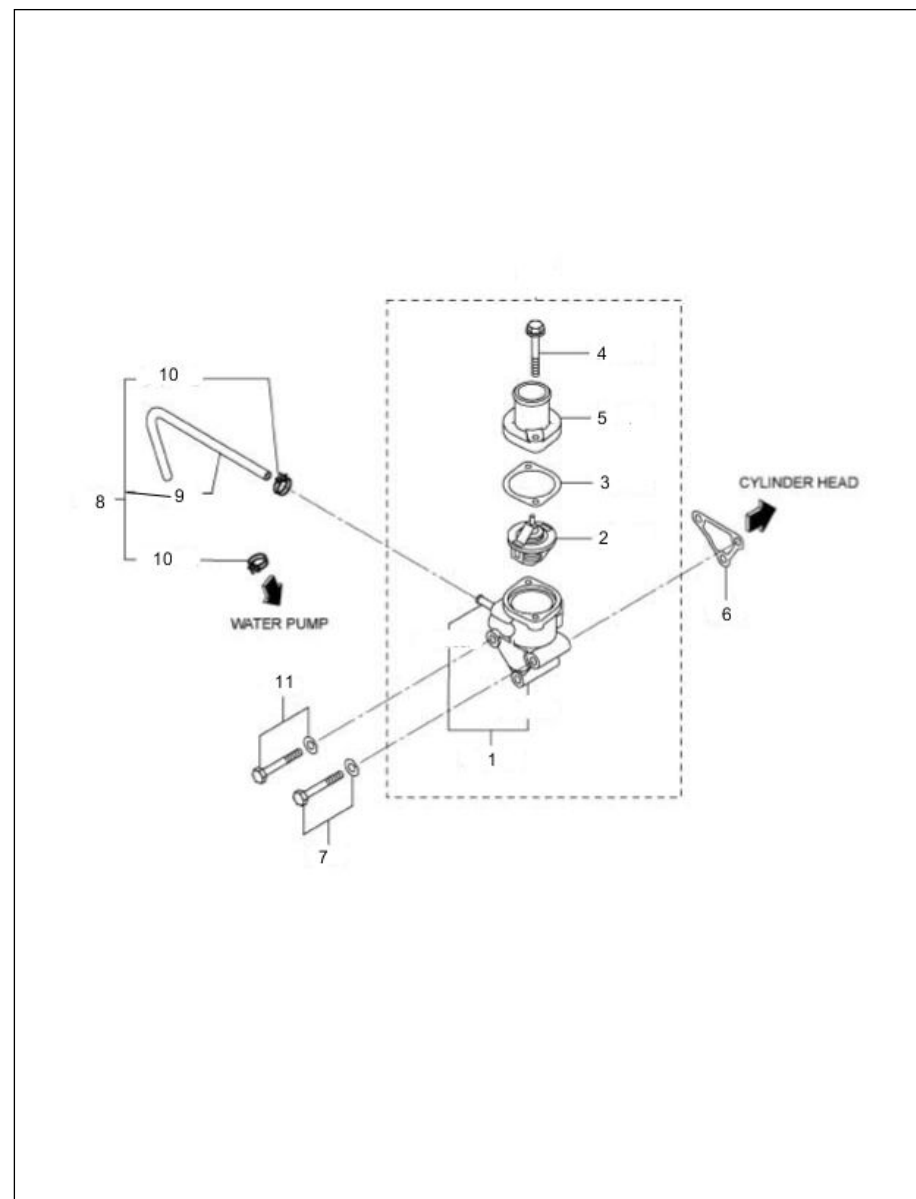


TABLE-6
COOLING SYSTEM

Fig. No.	Part No.	Description	Qty
1	D10734140.9	CASE ASSY,THERMOSTAT (MITSUBISHI PART NO. 31N46-00050)	1
2	D10734150.9	THERMOSTAT ASSY (MITSUBISHI PART NO. K6516441)	1
3	D10734160.9	GASKET,THERMOSTAT (MITSUBISHI PART NO. 31A46-11200)	1
4	D10734170.9	BOLT,FLANGE (MITSUBISHI PART NO. F1010-08025)	2
5	D10734180.9	COVER,THERMOSTAT (MITSUBISHI PART NO. 31N46-00600)	1
6	D10734190.9	GASKET,THERMO CASE (MITSUBISHI PART NO. 31N46-00700)	1
7	D10734200.9	BOLT,W/WASHER (MITSUBISHI PART NO. F1805-08065)	2
8	D11404640AA.9	HOSE ASSY BY-PASS	1
9	D10734220.9	HOSE,BY-PASS (MITSUBISHI PART NO. 31N46-00800)	1
10	D11404650AA.9	CLAMP	2
11	D10734240.9	BOLT,W/WASHER (MITSUBISHI PART NO. F1805-08070)	1

TABLE-7
CRANK PULLEY

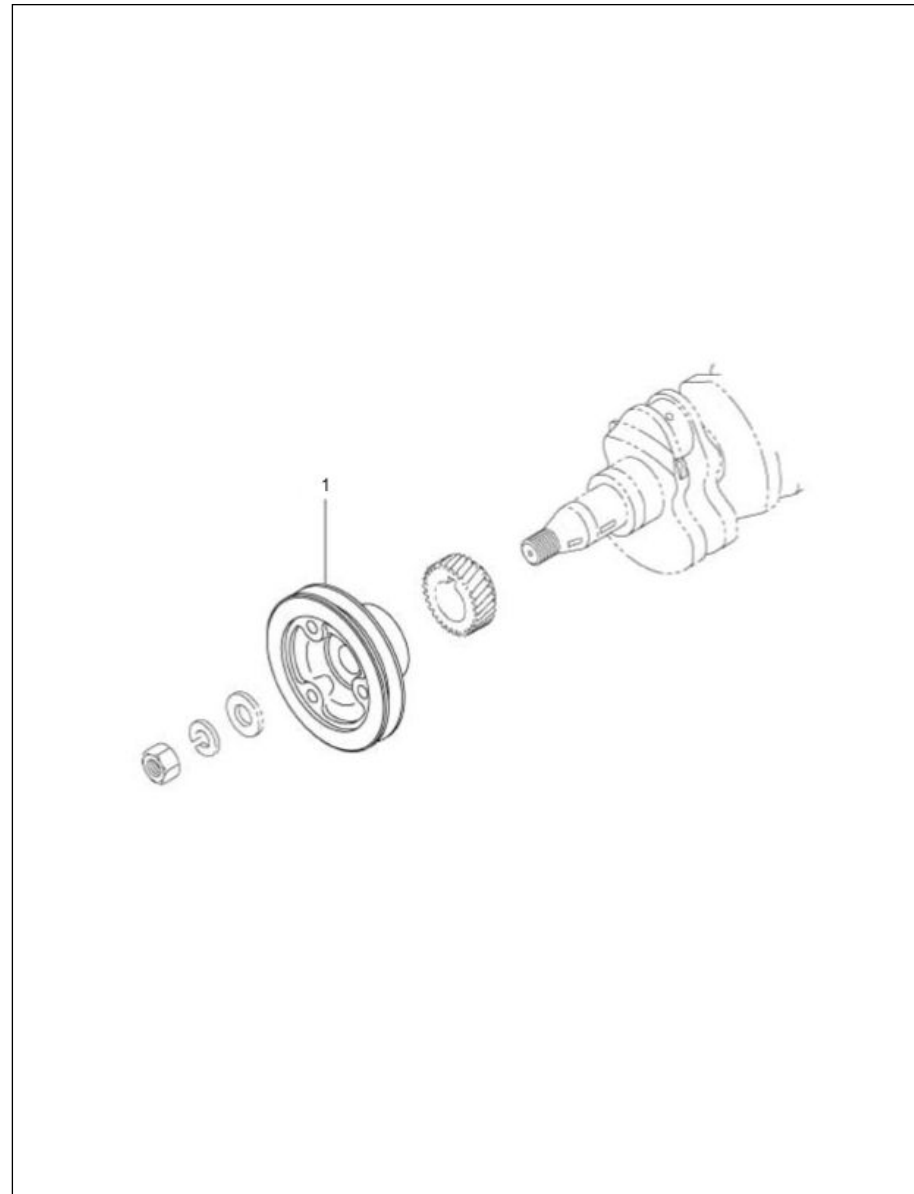


TABLE-7
CRANK PULLEY

Fig. No.	Part No.	Description	Qty
1	D10733770.9	PULLEY,CRANK (MITSUBISHI PART NO.31N20-00601)	1

TABLE-8
CRANKCASE (ASSY)

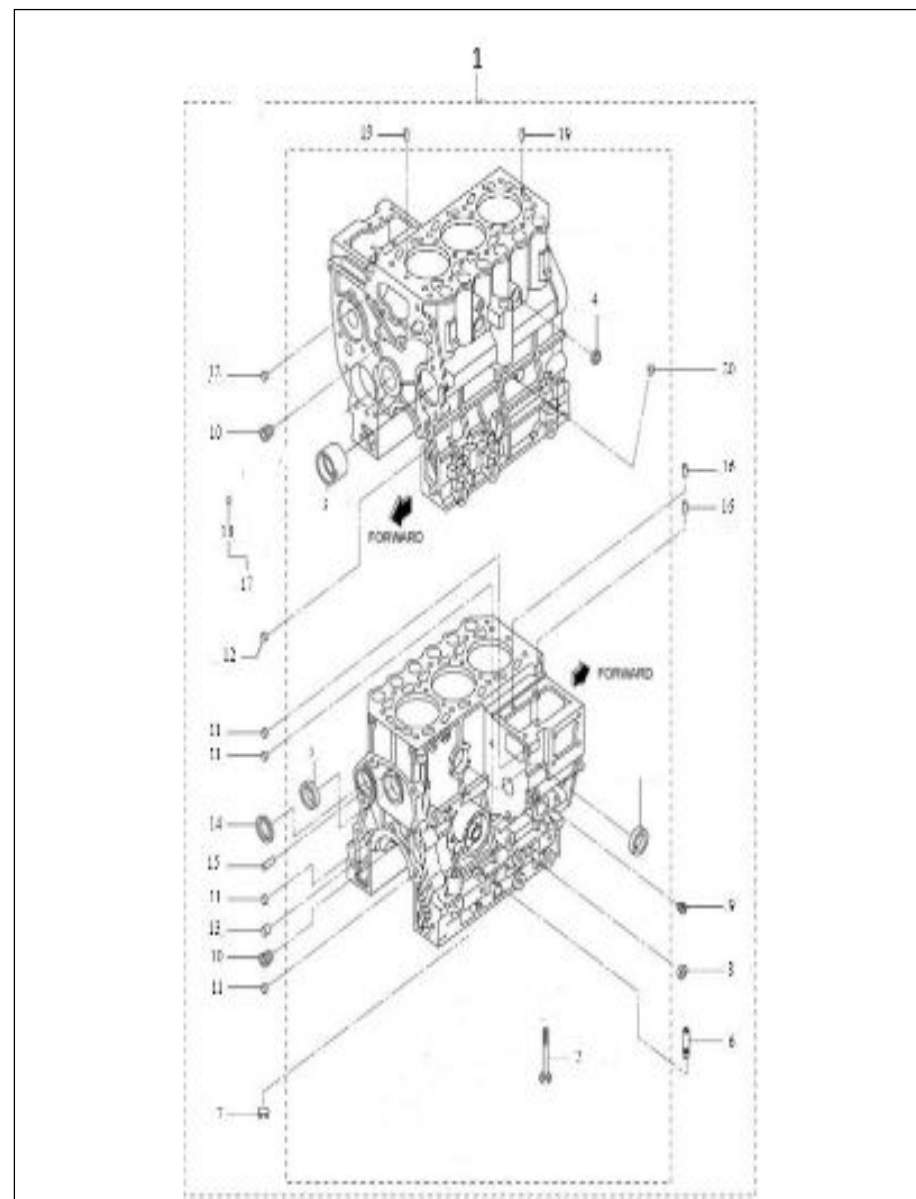


TABLE-8
CRANKCASE (ASSY)

Fig. No.	Part No.	Description	Qty
1	D10732970.9	BLOCK ASSY,CYLINDER (MITSUBISHI PART NO. 31N07-01090)	AR
2	D10732980.9	BOLT,BEARING CAP(MITSUBISHI PART NO.31A07-00801)	8
3	D10732990.9	BUSH,CAMSHAFT (MITSUBISHI PART NO.31A07-03100)	1
4	D10733000.9	CAP,SEALING (MITSUBISHI PART NO.31N07-01800)	2
5	D10733010.9	CAP,SEALING (MITSUBISHI PART NO.31N07-01900)	2
6	D10733020.9	GUIDE,OIL LEVEL GAUGE (MITSUBISHI PART NO.30N07-02100)	1
7	D10733030.9	CAP,SEALING (MITSUBISHI PART NO.F5014-12000)	1
8	D10733040.9	CAP,SEALING (MITSUBISHI PART NO.F5014-14000)	1
9	D10732600.9	PLUG TAPERED (MITSUBISHI PART NO.30N01-01600)	1
10	D10733050.9	PLUG,TAPERED MEC (MITSUBISHI PART NO.31N07-02100)	2
11	D10733060.9	BUSHING,KNOCK (MITSUBISHI PART NO.31N07-01100)	4
12	D10733070.9	BUSHING,KNOCK (MITSUBISHI PART NO.30N07-03200)	2
13	D10733080.9	BUSHING,KNOCK (MITSUBISHI PART NO.31N07-01300)	1
14	D10733090.9	PLUG,EXPANSION (MITSUBISHI PART NO.MF665511)	1
15	D10733100.9	PIN,DOWEL (MITSUBISHI PART NO.30N07-02700)	1
16	D10733110.9	PIN,DOWEL (MITSUBISHI PART NO.30N07-00600)	2
17	D10733120.9	SHAFT ASSY,IDLER (MITSUBISHI PART NO.31N07-00050)	1
18	D10733130.9	STEEL BALL,BEARING(MITSUBISHI PART NO.F8000-08000)	1
19	D10733140.9	PIN,DOWEL (MITSUBISHI PART NO.F2846-05000)	2
20	D10733150.9	PLUG,TAPERED (MITSUBISHI PART NO.31N07-02200)	1

TABLE-9
CRANKCASE (OIL SEAL CASE)

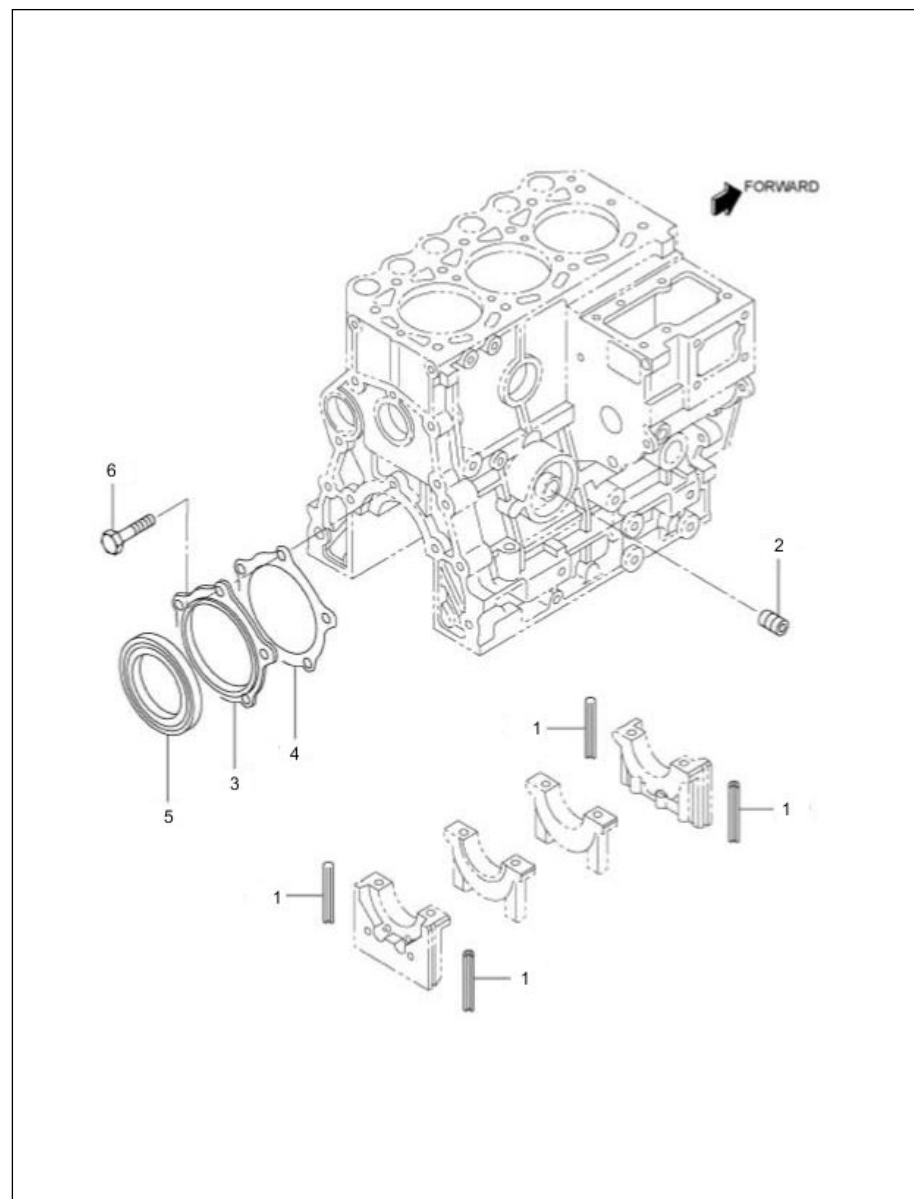


TABLE-9
CRANKCASE (OIL SEAL CASE)

Fig. No.	Part No.	Description	Qty
1	D10733160.9	SEAL,SIDE (MITSUBISHI PART NO.31A07-12200)	4
2	D10733170.9	SHAFT,OIL FILTER (MITSUBISHI PART NO.30N07-02400)	1
3	D10733180.9	CASE,OIL SEAL (MITSUBISHI PART NO.31N07-01400)	1
4	D10733190.9	GASKET,OIL SEAL CASE (MITSUBISHI PART NO.31A07-11701)	1
5	D10698310.9	SEAL OIL (MITSUBISHI PART NO 31A0702300)	1
6	D10733210.9	BOLT (MITSUBISHI PART NO. 31N07-02300)	5

TABLE-10
CRANKSHAFT

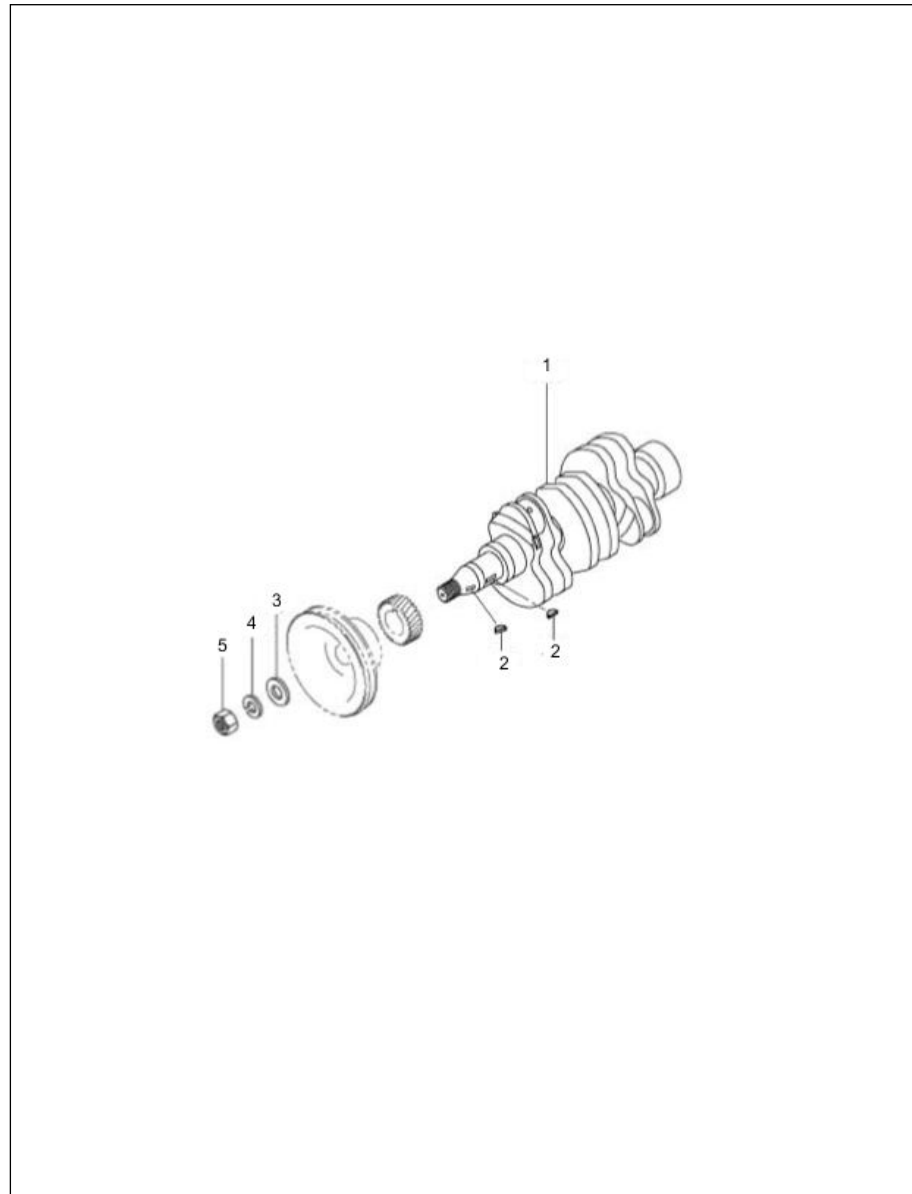


TABLE-10
CRANKSHAFT

Fig. No.	Part No.	Description	Qty
1	D10733730.9	CRANKSHAFT (MITSUBISHI PART NO. 31B20-00204)	1
2	D10732920.9	KEY,WOODRUFF (MITSUBISHI PART NO. F2872-05019)	2
3	D10733740.9	WASHER,PLAIN (MITSUBISHI PART NO. F2500-18000)	1
4	D10733750.9	WASHER,SPRING (MITSUBISHI PART NO.F2515-18000)	1
5	D10733760.9	NUT (MITSUBISHI PART NO. F2300-18000)	1

TABLE-11
CYLINDER HEAD

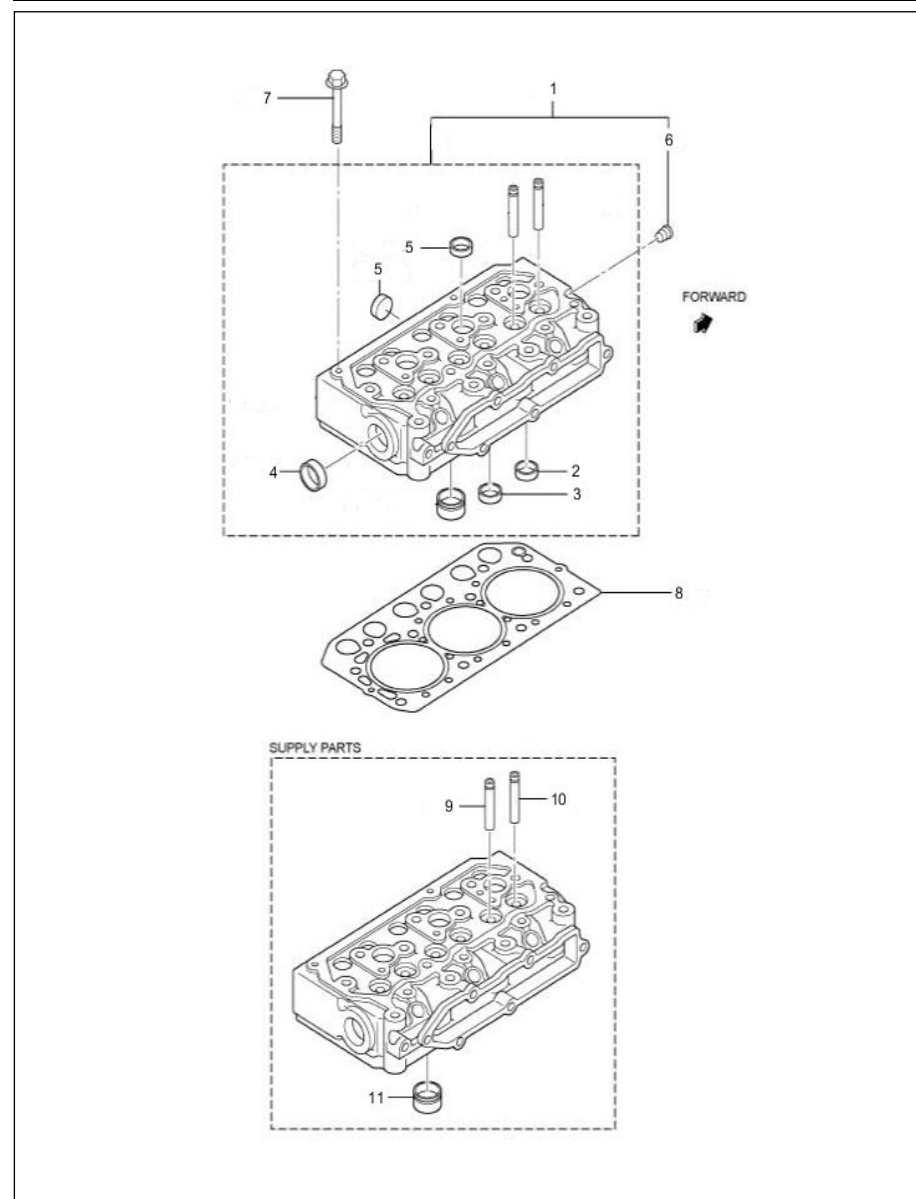


TABLE-11
CYLINDER HEAD

Fig. No.	Part No.	Description	Qty
1	D10732550.9	HEAD ASSY,CYLINDER (MITSUBISHI PART NO. 31N01-01053)	1
2	D10732560.9	SEAT,INLET VALVE (MITSUBISHI PART NO.31A01-01201)	3
3	D10732570.9	SEAT EXHAUST VALVE (MITSUBISHI PART NO.31A01-01301)	3
4	D10732580.9	CAP SEALING (MITSUBISHI PART NO.31N01-00300)	1
5	D10732590.9	CAP SEALING (MITSUBISHI PART NO. F5014-25000)	5
6	D10732600.9	PLUG TAPERED (MITSUBISHI PART NO.30N01-01600)	1
7	D10732610.9	BOLT CYLINDER HEAD (MITSUBISHI PART NO.31A01-21100)	11
8	D10732620.9	GASKET CYLINDER HEAD (MITSUBISHI PART NO.31B01-23200)	1
9	D10732630.9	GUIDE EXHAUST VALVE (MITSUBISHI PART NO.31N01-00800)	3
10	D10732640.9	GUIDE INLET VALVE (MITSUBISHI PART NO.31N01-02300)	3
11	D10732650.9	JET COMBUSTION (MITSUBISHI PART NO.31A03-13601)	3

TABLE-12
DRAIN COCK & PIPE

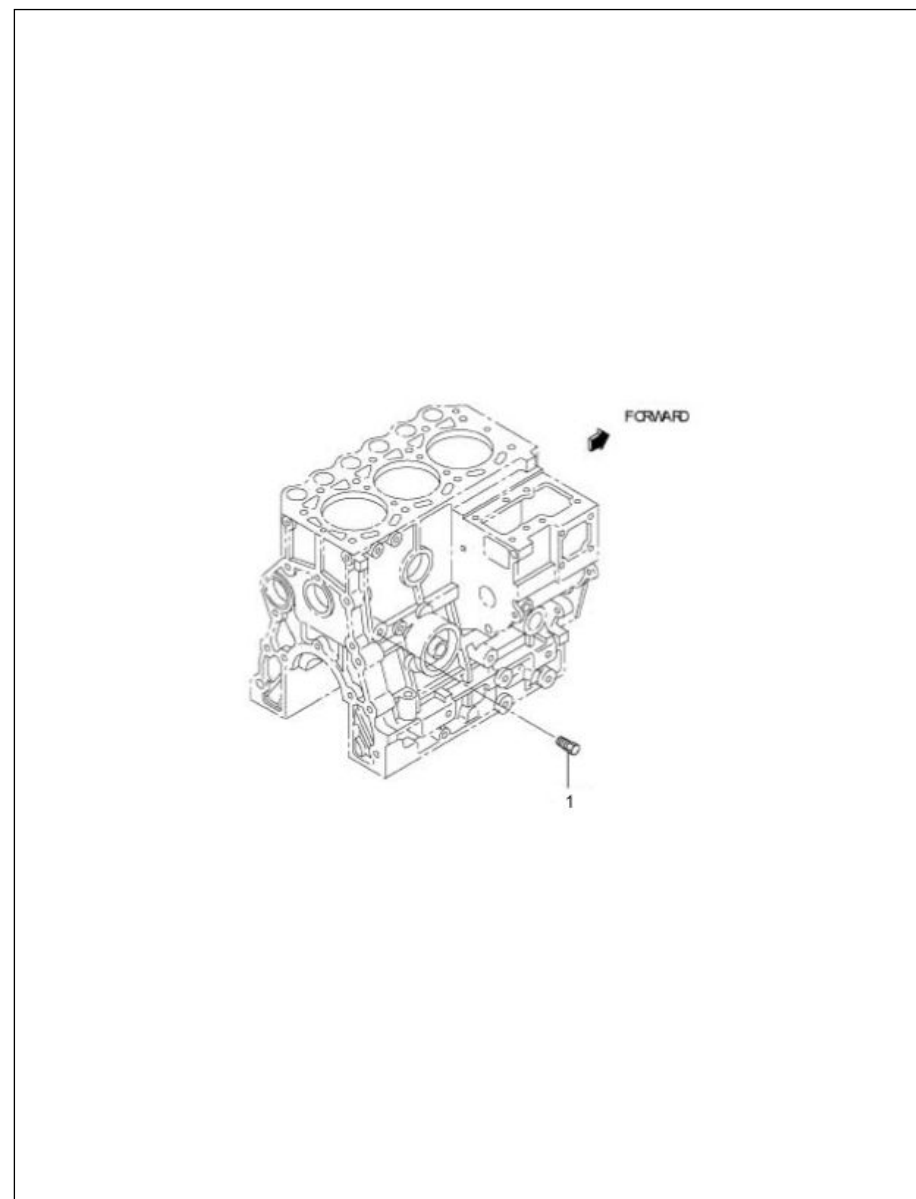


TABLE-12
DRAIN COCK & PIPE

Fig. No.	Part No.	Description	Qty
1	D10733220.9	PLUG,TAPERED (MITSUBISHI PART NO. 30N07-02500)	1

TABLE-13
ENGINE CONTROL (STOP)

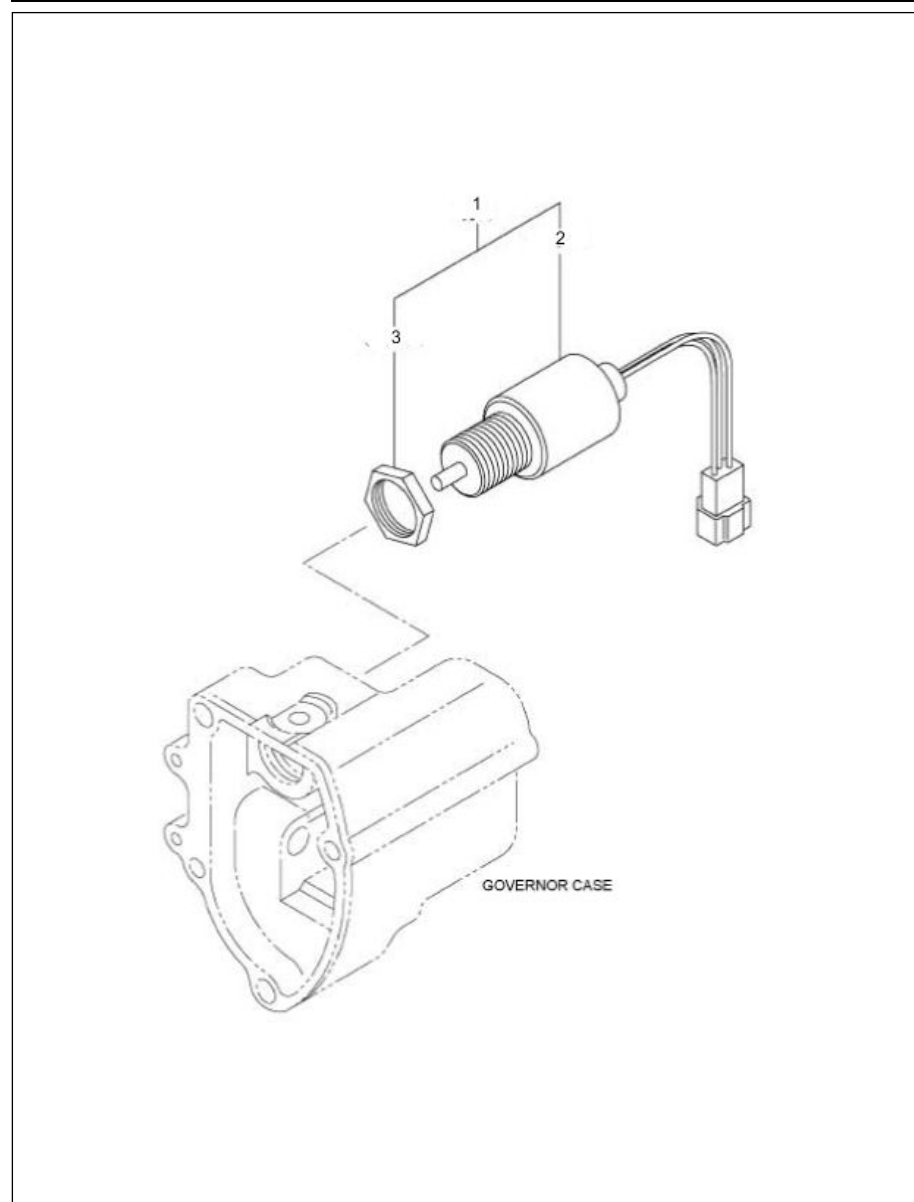


TABLE-13
ENGINE CONTROL (STOP)

Fig. No.	Part No.	Description	Qty
1	D10698240.9	SOLENOID AND NUT SET (MITSUBISHI PART NO 30A8700061)	1
2	D10735550.9	SOLENOID ASSY (MITSUBISHI PART NO. MM409-67002)	1
3	D10735560.9	NUT (MITSUBISHI PART NO. MM409-67101)	1

TABLE-14
ENGINE SUPPORT

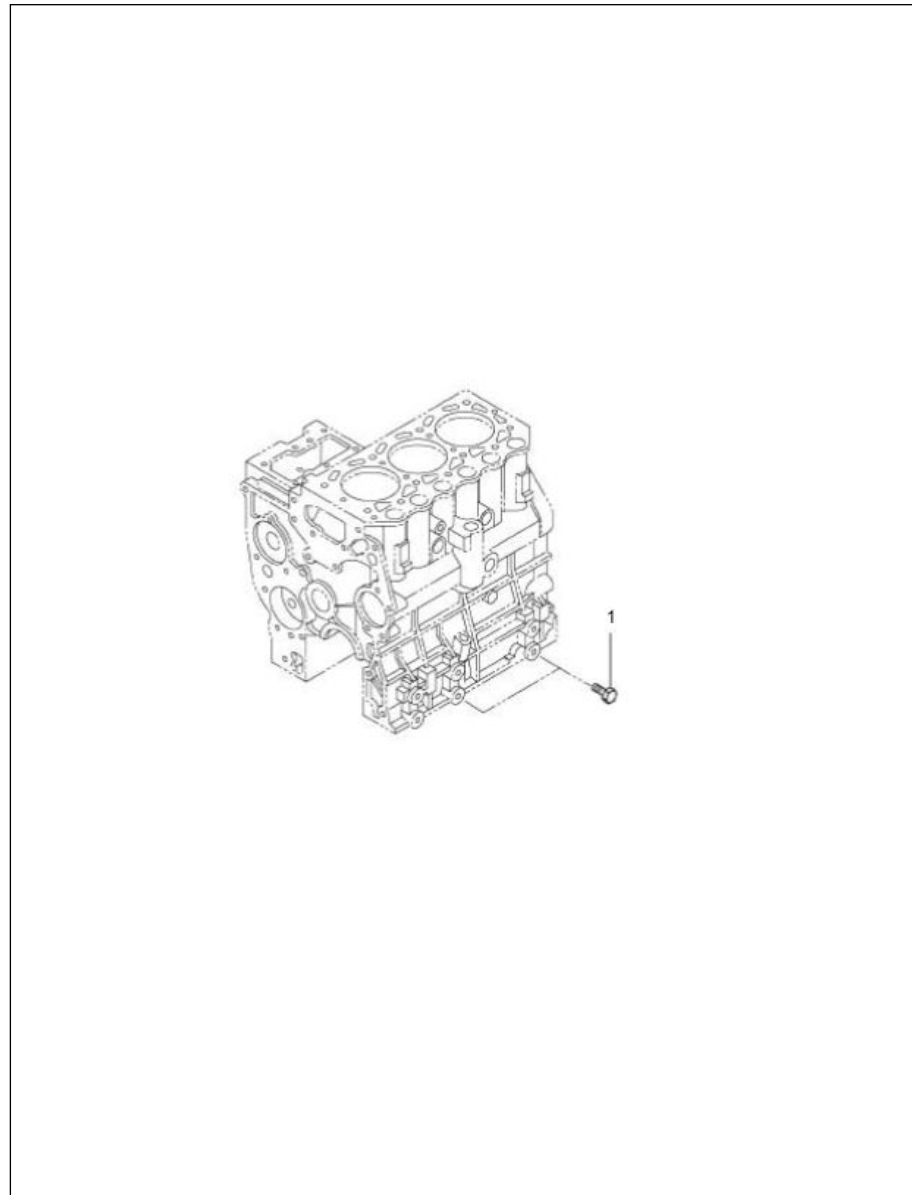


TABLE-14
ENGINE SUPPORT

Fig. No.	Part No.	Description	Qty
1	D10733520.9	BOLT (MITSUBISHI PART NO. F1035-12025)	4

TABLE-15
EXHAUST SYSTEM

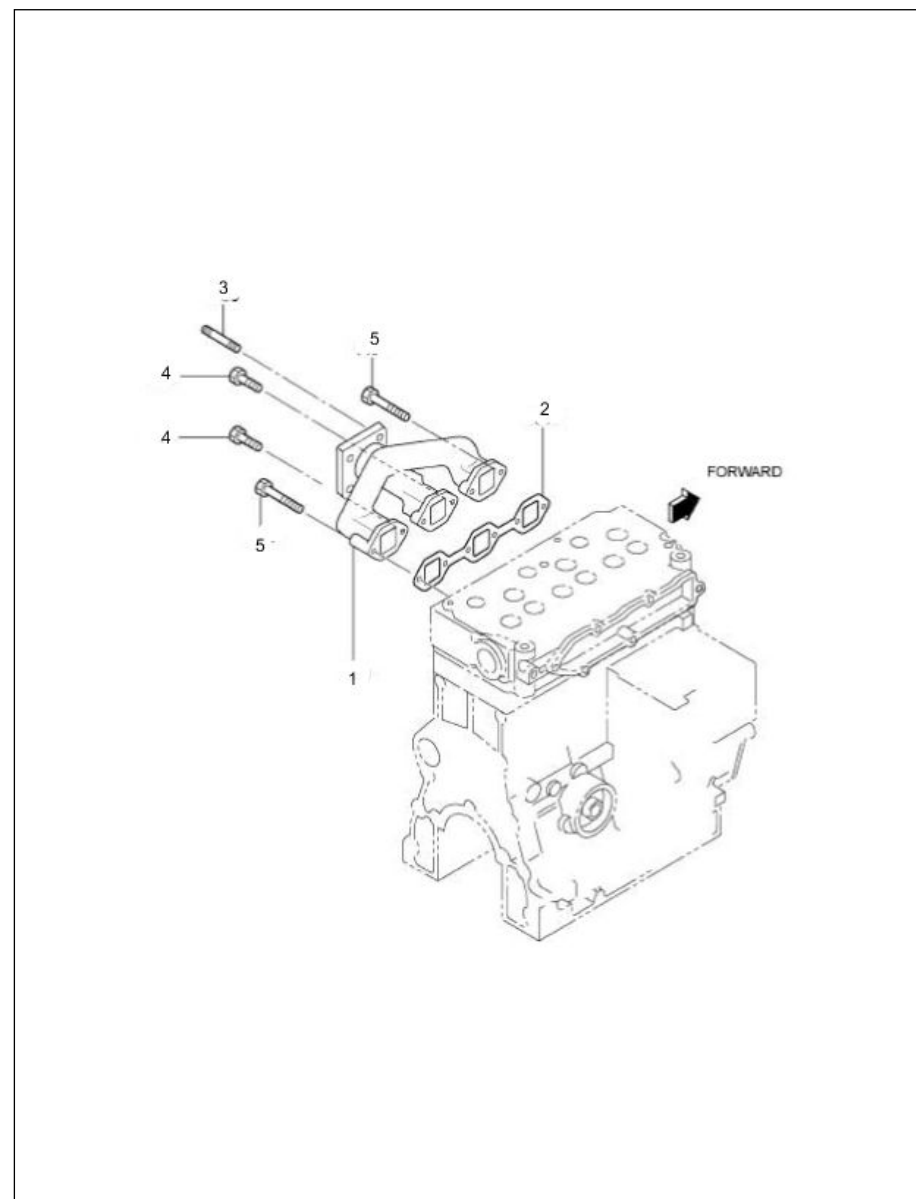


TABLE-15
EXHAUST SYSTEM

Fig. No.	Part No.	Description	Qty
1	D10733880.9	MANIFOLD,EXHAUST (MITSUBISHI PART NO. 31N32-00100)	1
2	D10733890.9	GASKET,EXHAUST MANIFOLD (MITSUBISHI PART NO. 31B32-01200)	1
3	D10733900.9	STUD (MITSUBISHI PART NO. F1450-08025)	4
4	D10733910.9	BOLT (MITSUBISHI PART NO. F1035-08020)	4
5	D10733920.9	BOLT (MITSUBISHI PART NO. F1035-08055)	2

TABLE-16
FAN SPACER

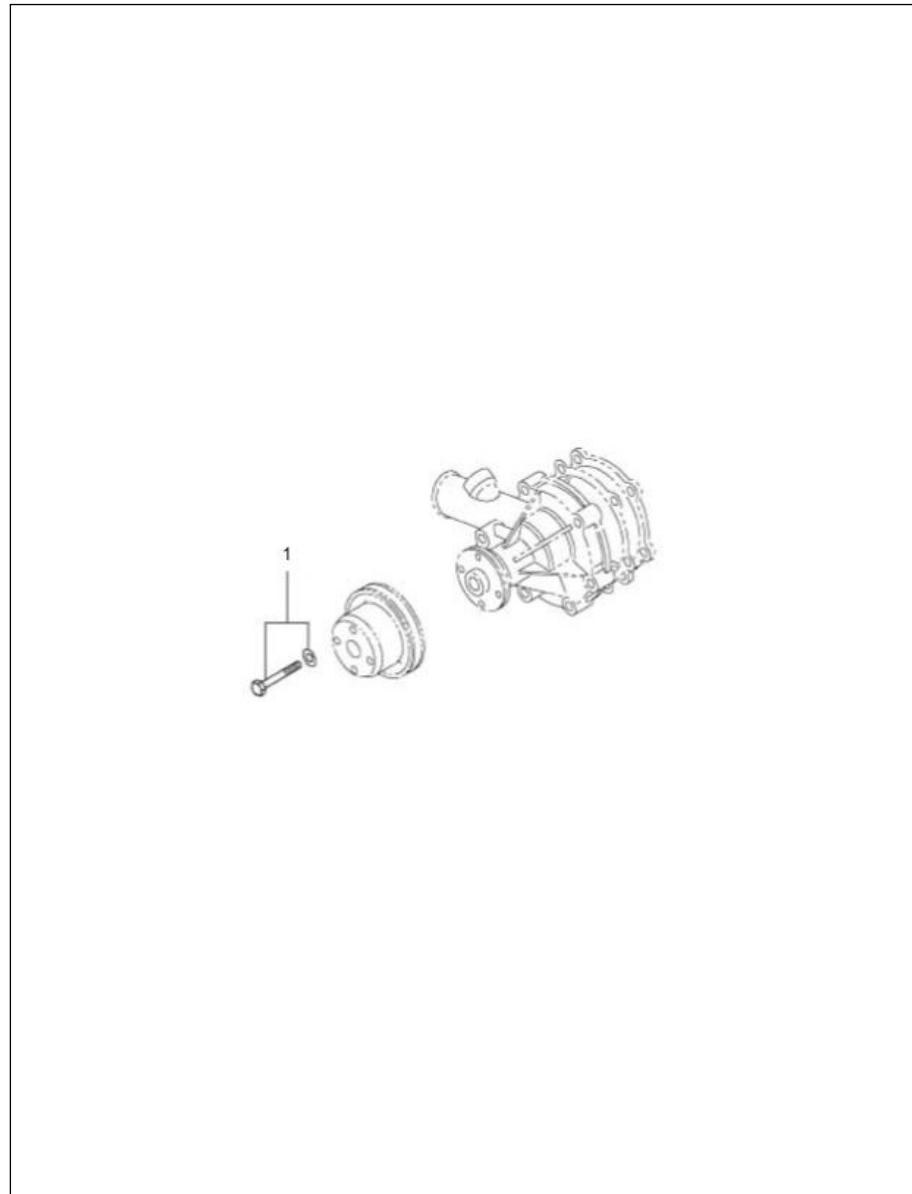


TABLE-16
FAN SPACER

Fig. No.	Part No.	Description	Qty
1	D10734250.9	BOLT,W/WASHER (MITSUBISHI PART NO. F1805-06025)	4

TABLE-17
FUEL INJECTION PUMP DRIVE

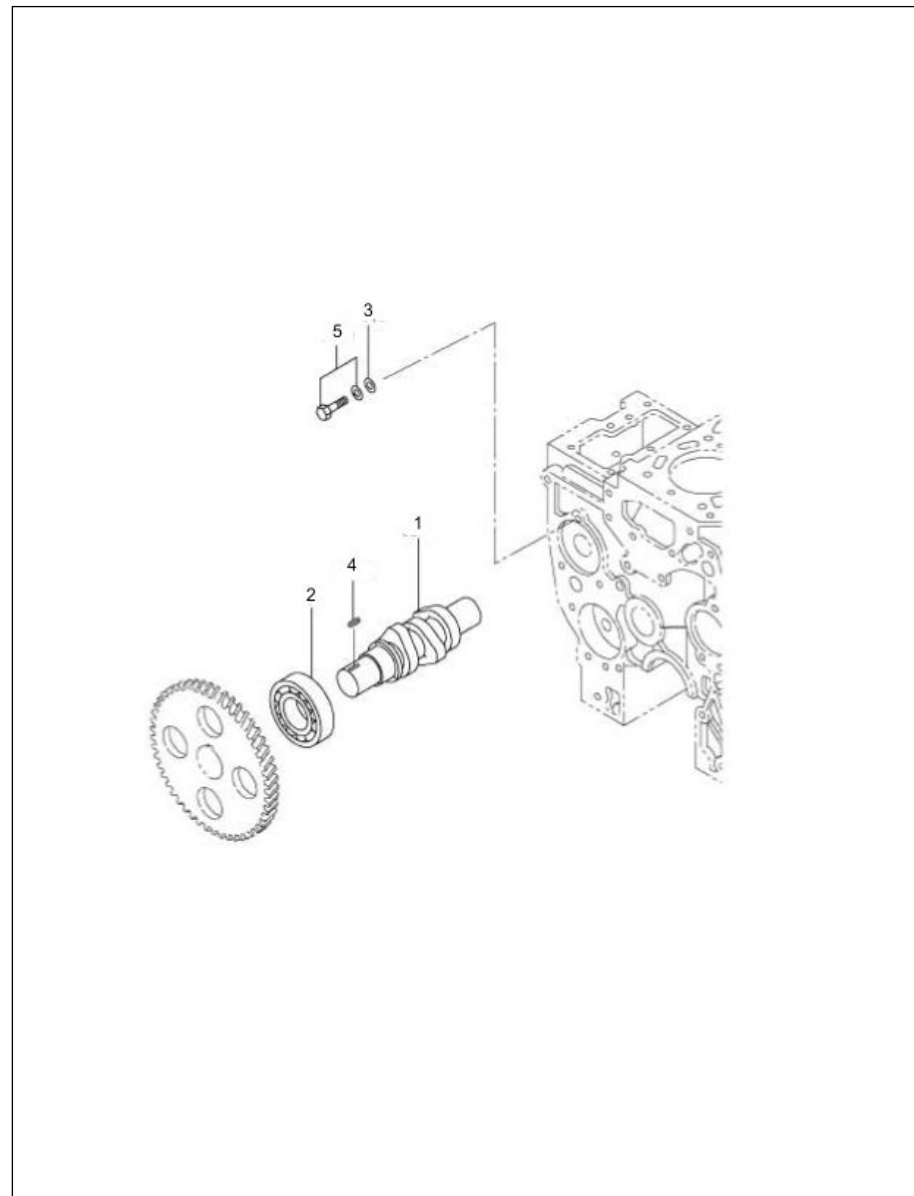


TABLE-17
FUEL INJECTION PUMP DRIVE

Fig. No.	Part No.	Description	Qty
1	D10735480.9	SHAFT,FUEL INJECTION PUMP (MITSUBISHI PART NO. 31N65-00700)	1
2	D10735490.9	BEARING,RADIAL BALL (MITSUBISHI PART NO. MD703856)	1
3	D10735500.9	WASHER (MITSUBISHI PART NO. MD000425)	1
4	D10735510.9	KEY,SUNK (MITSUBISHI PART NO. 30N07-02800)	1
5	D10732940.9	BOLT,W/WASHER (MITSUBISHI PART NO. F1805-08016)	2

TABLE-18
FUEL SYSTEM

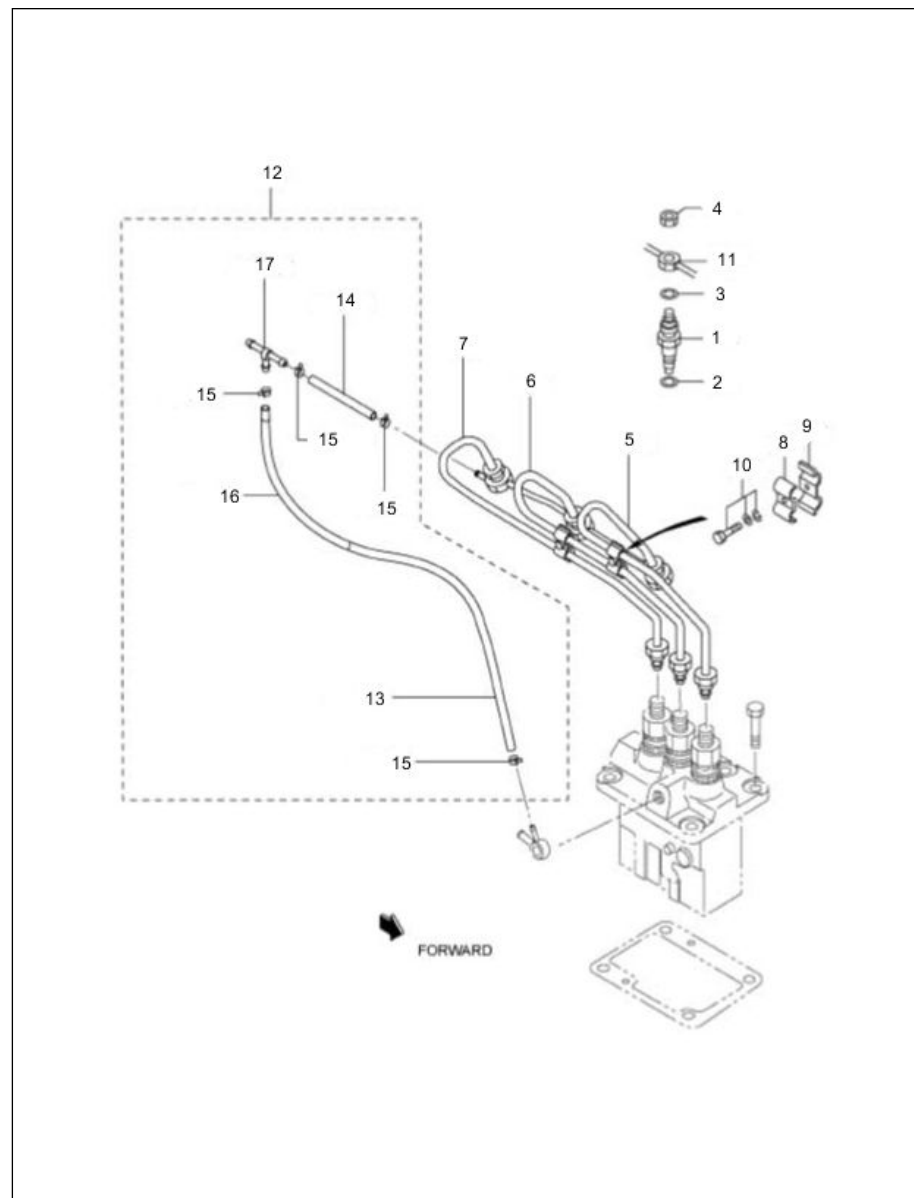


TABLE-18
FUEL SYSTEM

Fig. No.	Part No.	Description	Qty
1	D10734260.9	NOZZLE ASSY,INJECTION (MITSUBISHI PART NO. MM435-94101)	3
2	D10698160.9	GASKET HOLDER (MITSUBISHI PART NO 30N6100600)	3
3	D10698150.9	GASKET FUEL RETURN PIPE (MITSUBISHI PART NO 30N6100800)	3
4	D10734290.9	NUT (MITSUBISHI PART NO. 31N61-00100)	3
5	D10734300.9	PIPE,INJECTION NO.1 (MITSUBISHI PART NO. 31N61-02200)	1
6	D10734310.9	PIPE,INJECTION NO.2 (MITSUBISHI PART NO. 31N61-02300)	1
7	D10734320.9	PIPE,INJECTION NO.3 (MITSUBISHI PART NO. 31N61-02400)	1
8	D10734330.9	CLAMP (MITSUBISHI PART NO. MM430-70301)	2
9	D10734340.9	CLAMP (MITSUBISHI PART NO. MM430-61401)	2
10	D10734350.9	BOLT,W/WASHER (MITSUBISHI PART NO. F1825-06025)	2
11	D10734360.9	PIPE,FUEL LEAK OFF (MITSUBISHI PART NO. 31N61-01600)	1
12	D10698210.9	HOSE ASSEMBLY AIR VENT (MITSUBISHI PART NO 31N6101200)	1
13	D10698220.9	HOSE FUEL (MITSUBISHI PART NO 31N6101700)	1
14	D10698230.9	HOSE FUEL (MITSUBISHI PART NO 31N6101400)	1
15	D10734400.9	CLIP,HOSE (MITSUBISHI PART NO. 30N61-01300)	4
16	D10734410.9	HOSE,RUBBER (MITSUBISHI PART NO. 31N61-01300)	1
17	D10734420.9	JOINT,THREE WAY (MITSUBISHI PART NO. 30N61-01200)	1

TABLE-19
FUEL SYSTEM (NOZZLE ASSY)

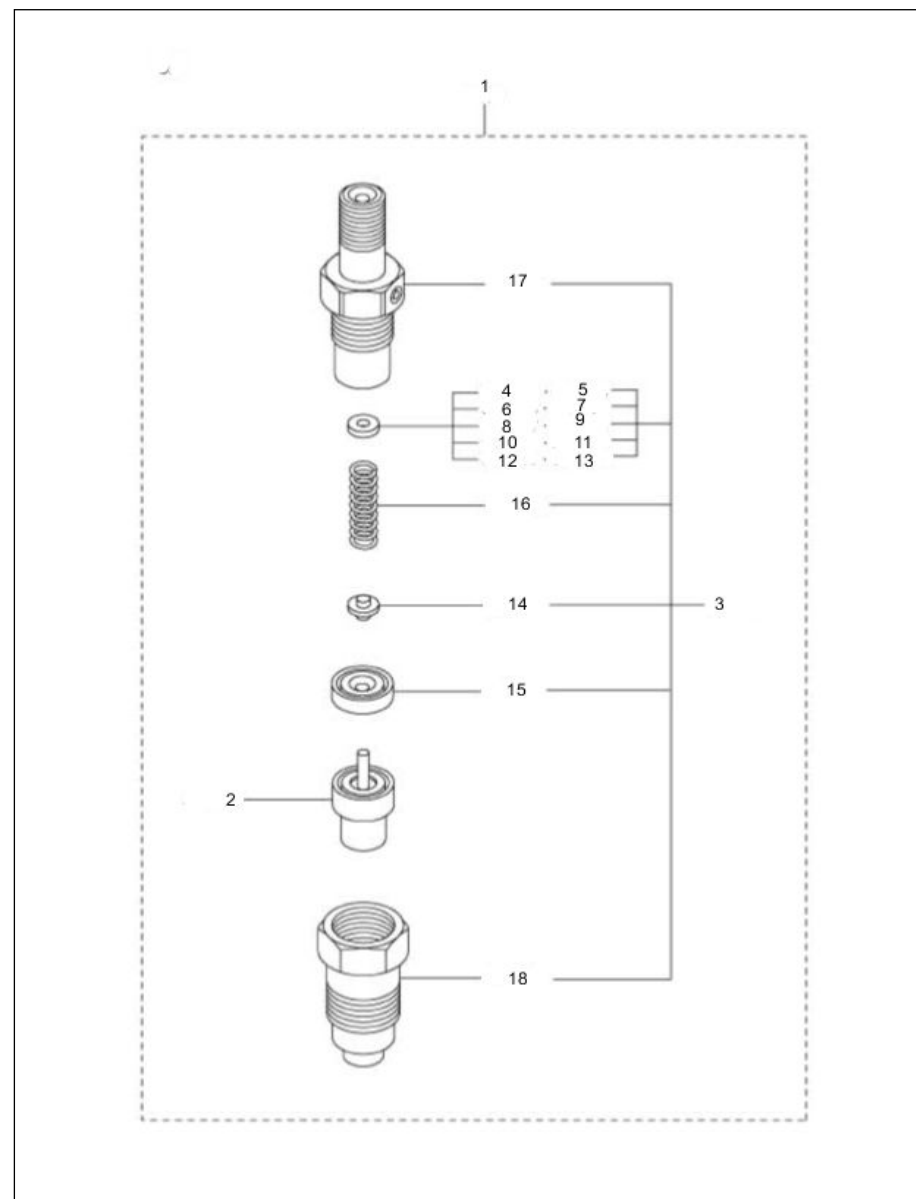


TABLE-19
FUEL SYSTEM (NOZZLE ASSY)

Fig. No.	Part No.	Description	Qty
1	D10734260.9	NOZZLE ASSY,INJECTION (MITSUBISHI PART NO. MM435-94101)	3
2	D10698170.9	NOZZLE AND HOLDER ASSEMBLY (MITSUBISHI PART NO MM43594101)	3
3	D10734440.9	HOLDER ASSY (MITSUBISHI PART NO. MM514045)	3
4	D10734450.9	SHIM (MITSUBISHI PART NO. MD603490)	AR
5	D10734460.9	SHIM (MITSUBISHI PART NO. MD603491)	AR
6	D10734470.9	SHIM (MITSUBISHI PART NO. MD603492)	AR
7	D10734480.9	SHIM (MITSUBISHI PART NO. MD603493)	AR
8	D10734490.9	SHIM (MITSUBISHI PART NO. MD603494)	AR
9	D10734500.9	SHIM (MITSUBISHI PART NO. MD603495)	AR
10	D10734510.9	SHIM (MITSUBISHI PART NO. MD603496)	AR
11	D10734520.9	SHIM (MITSUBISHI PART NO. MD603497)	AR
12	D10734530.9	SHIM (MITSUBISHI PART NO. MD603498)	AR
13	D10734540.9	SHIM (MITSUBISHI PART NO. MD603499)	AR
14	D10734550.9	PIN,PRESSURE (MITSUBISHI PART NO. MM501838)	3
15	D10734560.9	PIECE,DISTANCE (MITSUBISHI PART NO. MM501841)	3
16	D10734570.9	SPRING,PRESSURE (MITSUBISHI PART NO. MM514047)	3
17	D10734580.9	BODY SUB ASSY (MITSUBISHI PART NO.MM514048)	3
18	D10734590.9	NUT,NOZZLE RETAINING (MITSUBISHI PART NO. MM514380)	3

TABLE-20
GLOW PLUG & WIRE

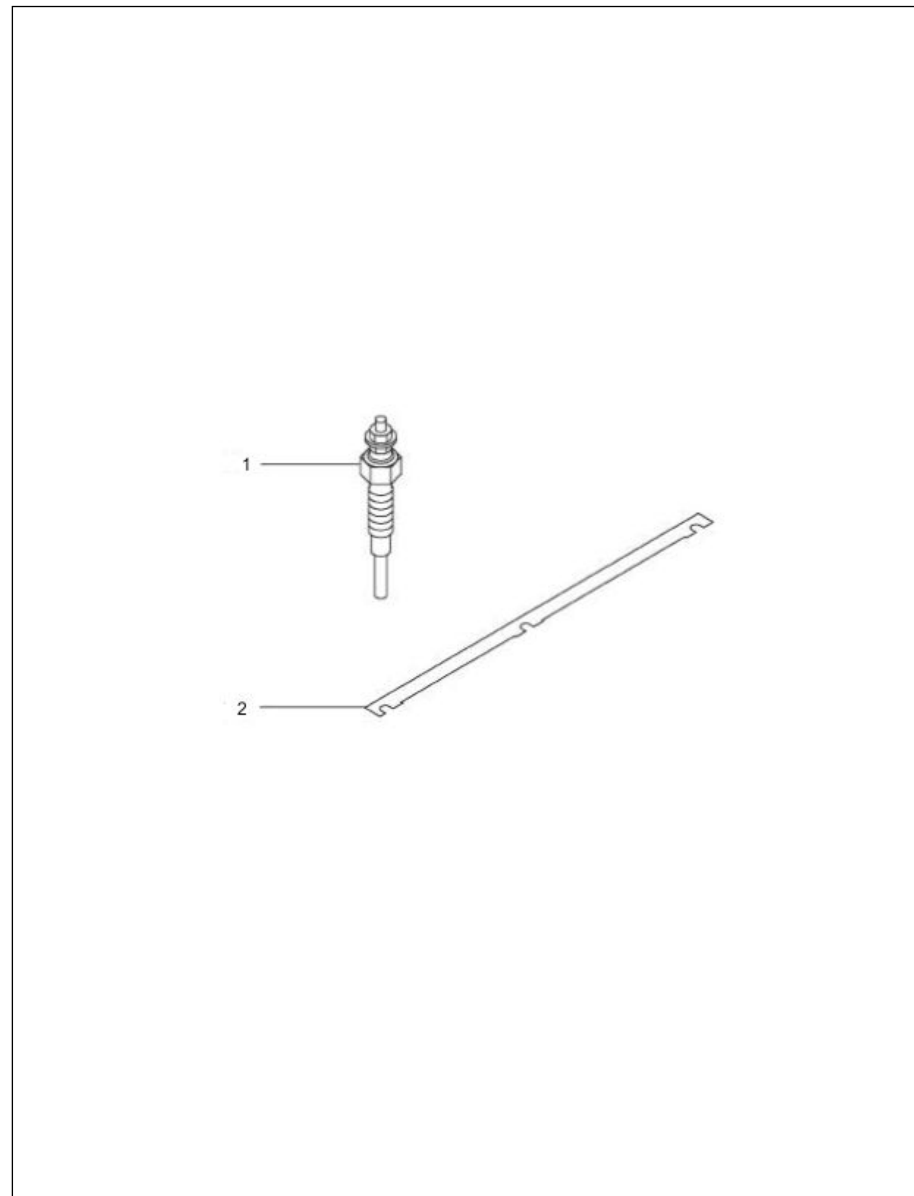


TABLE-20
GLOW PLUG & WIRE

Fig. No.	Part No.	Description	Qty
1	D10698370.9	PLUG GLOW 12V (MITSUBISHI PART NO 32A6603102)	3
2	D10735530.9	PLATE,CONNECTION (MITSUBISHI PART NO. 31N66-00200)	1

TABLE-21
GOVERNOR

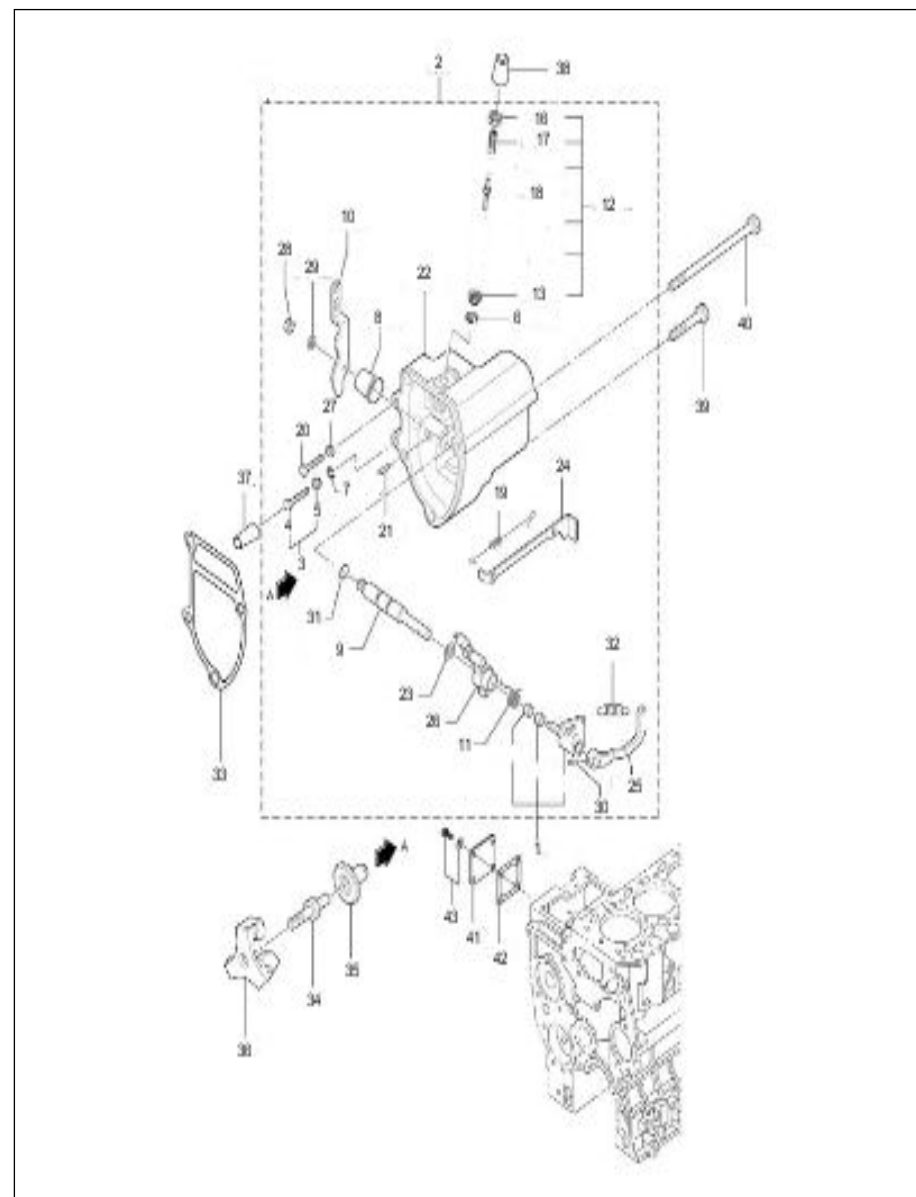


TABLE-21
GOVERNOR

Fig. No.	Part No.	Description	Qty
1	D10734600.9	LEVER ASSY,TENSION (MITSUBISHI PART NO. 31N63-01030)	AR
2	D10734610.9	CASE ASSY,GOVERNOR (MITSUBISHI PART NO. 31N63-03040)	1
3	D10734620.9	BOLT ASSY,HIGH SPEED (MITSUBISHI PART NO. 30N63-00080)	1
4	D10734630.9	BOLT,HIGH SPEED SET (MITSUBISHI PART NO. 30N63-04500)	1
5	D10734640.9	NUT,HIGH SPEED SET (MITSUBISHI PART NO. 30N63-04600)	1
6	D10734650.9	C-RING,TORQUE SET (MITSUBISHI PART NO. 30N63-04300)	1
7	D10734660.9	C-RING,HIGH SPEED SET (MITSUBISHI PART NO. 30N63-04800)	1
8	D10734670.9	COVER,GOVERNOR SHAFT (MITSUBISHI PART NO. 31N63-01400)	1
9	D10734680.9	SHAFT,GOVERNOR (MITSUBISHI PART NO. 31N63-01500)	1
10	D10734690.9	LEVER,SPEED CONTROL (MITSUBISHI PART NO. 31N63-02200)	1
11	D10698340.9	SPRING START (MITSUBISHI PART NO 31N6301800)	1
12	D10734710.9	SPRING SET,TORQUE (MITSUBISHI PART NO. 31A64-01080)	1
13	D10734720.9	NUT,TORQUE SET (MITSUBISHI PART NO. 30L63-00600)	1
16	D10734750.9	NUT (MITSUBISHI PART NO. MD000961)	1
17	D10734760.9	SCREW,ADJUSTING ROCK (MITSUBISHI PART NO. MD065628)	1
18	D10734770.9	STOPPER,SPRING (MITSUBISHI PART NO. MM434541)	1
19	D10698350.9	SPRING TIE ROD (MITSUBISHI PART NO 31N6302700)	1
20	D10734790.9	BOLT,LOW IDLE SET (MITSUBISHI PART NO. 31N63-00200)	1
21	D10734800.9	PIN,GROOVED (MITSUBISHI PART NO. 31N63-00300)	1
22	D10734810.9	CASE,GOVERNOR (MITSUBISHI PART NO. 31N63-00600)	1
23	D10734820.9	SHIM,GOVERNOR SHAFT (MITSUBISHI PART NO. 31N63-02300)	1
24	D10734830.9	TIE-ROD (MITSUBISHI PART NO. 31N63-02600)	1
25	D10734840.9	LEVER,GOVERNOR SPRING (MITSUBISHI PART NO. 31N63-04300)	1
26	D10734850.9	LEVER,GOVERNOR (MITSUBISHI PART NO. 31N63-04400)	1
27	D10734860.9	NUT (MITSUBISHI PART NO. 49302-90070)	1
28	D10734870.9	NUT,JAM (MITSUBISHI PART NO. F2320-08000)	1
29	D10733450.9	WASHER,SPRING (MITSUBISHI PART NO. F2515-08000)	4
30	D10734880.9	PIN,SPRING (MITSUBISHI PART NO. F2850-03020)	1
31	D10734890.9	O-RING (MITSUBISHI PART NO. F3150-01010)	1
32	D10698360.9	SPRING GOVERNOR (MITSUBISHI PART NO 31N6304200)	1
33	D10734910.9	GASKET,GOVERNOR CASE (MITSUBISHI PART NO. 31N63-03100)	1
34	D10734920.9	SHAFT,SLIDING SLEEVE (MITSUBISHI PART NO. 31A63-10305)	1
35	D10734930.9	SLEEVE,SLIDING (MITSUBISHI PART NO. 31A63-20201)	1
36	D10734940.9	WEIGHT ASSY,GOVERNOR (MITSUBISHI PART NO. 31A63-11061)	1
37	D10734950.9	COVER,HIGH SPEED SET (MITSUBISHI PART NO. 30N63-04700)	1
38	D10734960.9	COVER,TORQUE SET (MITSUBISHI PART NO. 30N63-04400)	1
39	D10733310.9	BOLT (MITSUBISHI PART NO. 31N11-00900)	8
40	D10734970.9	BOLT,GOVERNOR CASE (MITSUBISHI PART NO. 31N63-03500)	1
41	D10734980.9	COVER,TIE ROD (MITSUBISHI PART NO. 31N63-03600)	1
42	D10734990.9	GASKET,TIE ROD COVER (MITSUBISHI PART NO. 30A63-00101)	1

TABLE-21
GOVERNOR

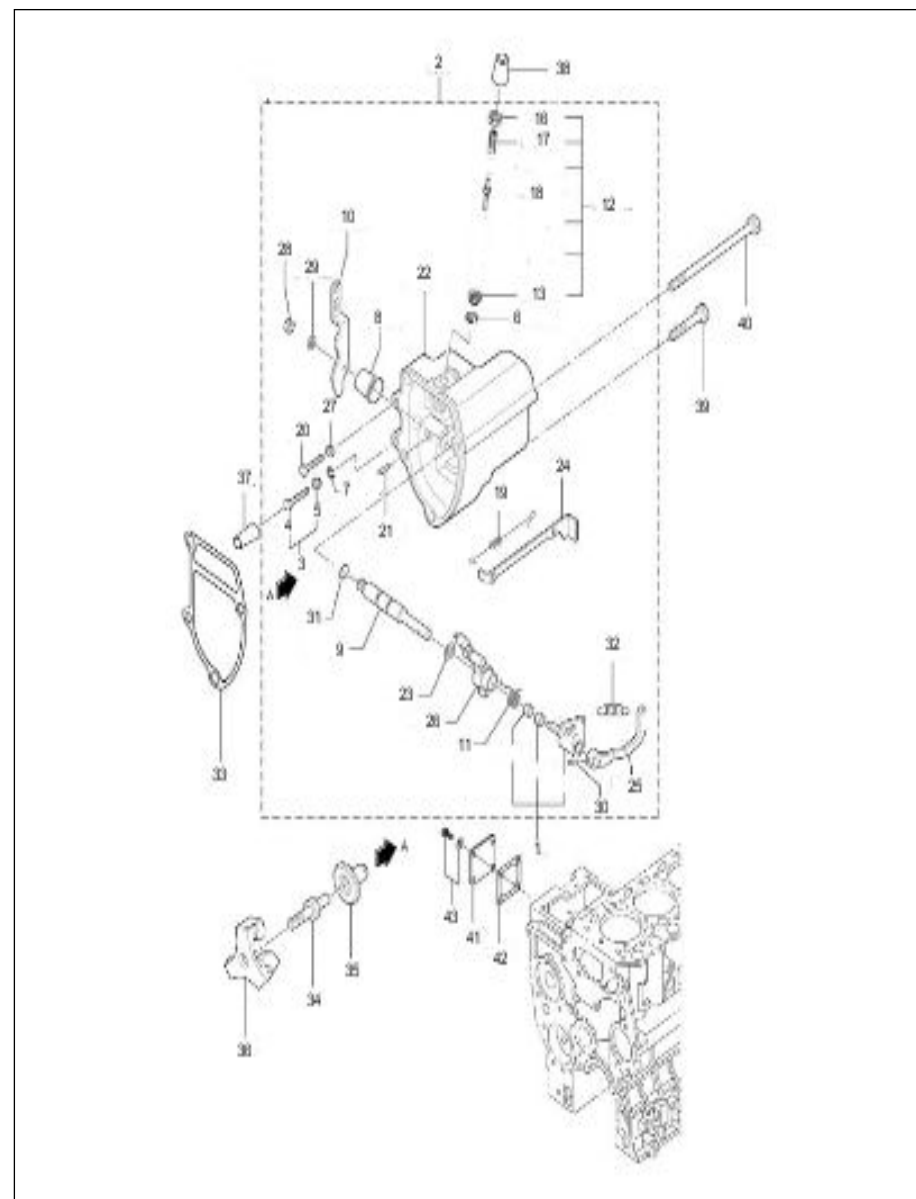


TABLE-21
GOVERNOR

Fig. No.	Part No.	Description	Qty
43	D10735000.9	BOLT,W/B/WWASHER (MITSUBISHI PART NO. F1805-06014)	4

TABLE-22
INJECTION PUMP

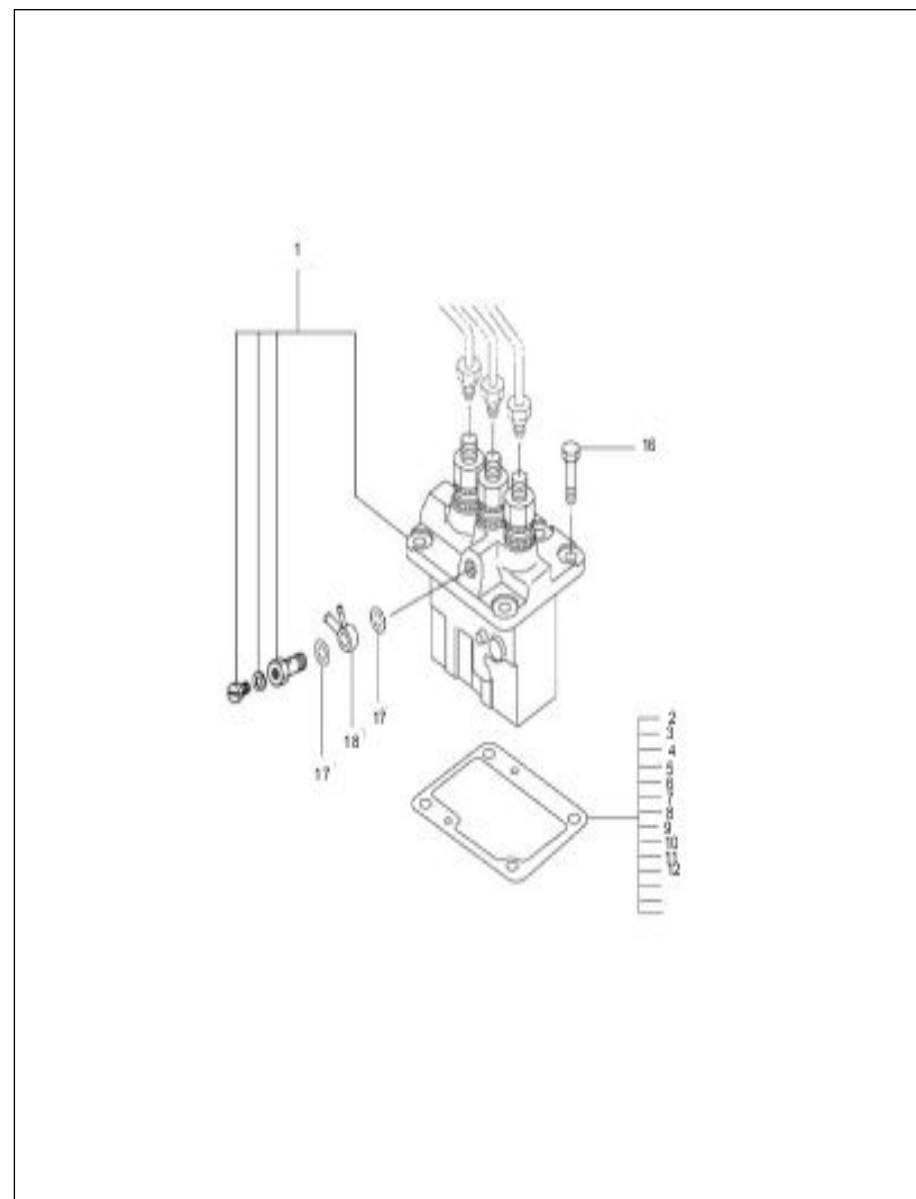


TABLE-22
INJECTION PUMP

Fig. No.	Part No.	Description	Qty
1	D10698250.9	PUMP ASSEMBLY FUEL INJECTOR (MITSUBISHI PART NO 31B6514090)	1
2	D10735020.9	SHIM ADJUSTING THICKNESS 0.20 (MITSUBISHI PART NO MM40904001)	AR
3	D10735030.9	SHIM ADJUSTING THICKNESS 0.30 (MITSUBISHI PART NO MM40904101)	AR
4	D10735040.9	SHIM ADJUSTING THICKNESS 0.40 (MITSUBISHI PART NO MM40904201)	AR
5	D10735050.9	SHIM ADJUSTING THICKNESS 0.50 (MITSUBISHI PART NO MM40904301)	AR
6	D10735060.9	SHIM ADJUSTING THICKNESS 0.60 (MITSUBISHI PART NO MM40904401)	AR
7	D10735070.9	SHIM ADJUSTING THICKNESS 0.70 (MITSUBISHI PART NO MM40904501)	AR
8	D10735080.9	SHIM ADJUSTING THICKNESS 0.80 (MITSUBISHI PART NO MM40904601)	AR
9	D10735090.9	SHIM ADJUSTING THICKNESS 0.90 (MITSUBISHI PART NO MM40904701)	AR
10	D10735100.9	SHIM ADJUSTING THICKNESS 1.00 (MITSUBISHI PART NO MM40904801)	AR
11	D10735110.9	SHIM ADJUSTING THICKNESS 1.10 (MITSUBISHI PART NO 31B6506101)	AR
12	D10735120.9	SHIM ADJUSTING THICKNESS 1.20 (MITSUBISHI PART NO 31B6506101)	AR
16	D10733210.9	BOLT (MITSUBISHI PART NO. 31N07-02300)	5
17	D10735160.9	WASHER,SEAL (MITSUBISHI PART NO. MK661-12000)	2
18	D10735170.9	COLLAR,UNION (MITSUBISHI PART NO. 31B65-00300)	1

TABLE-23
INJECTION PUMP (ASSY)

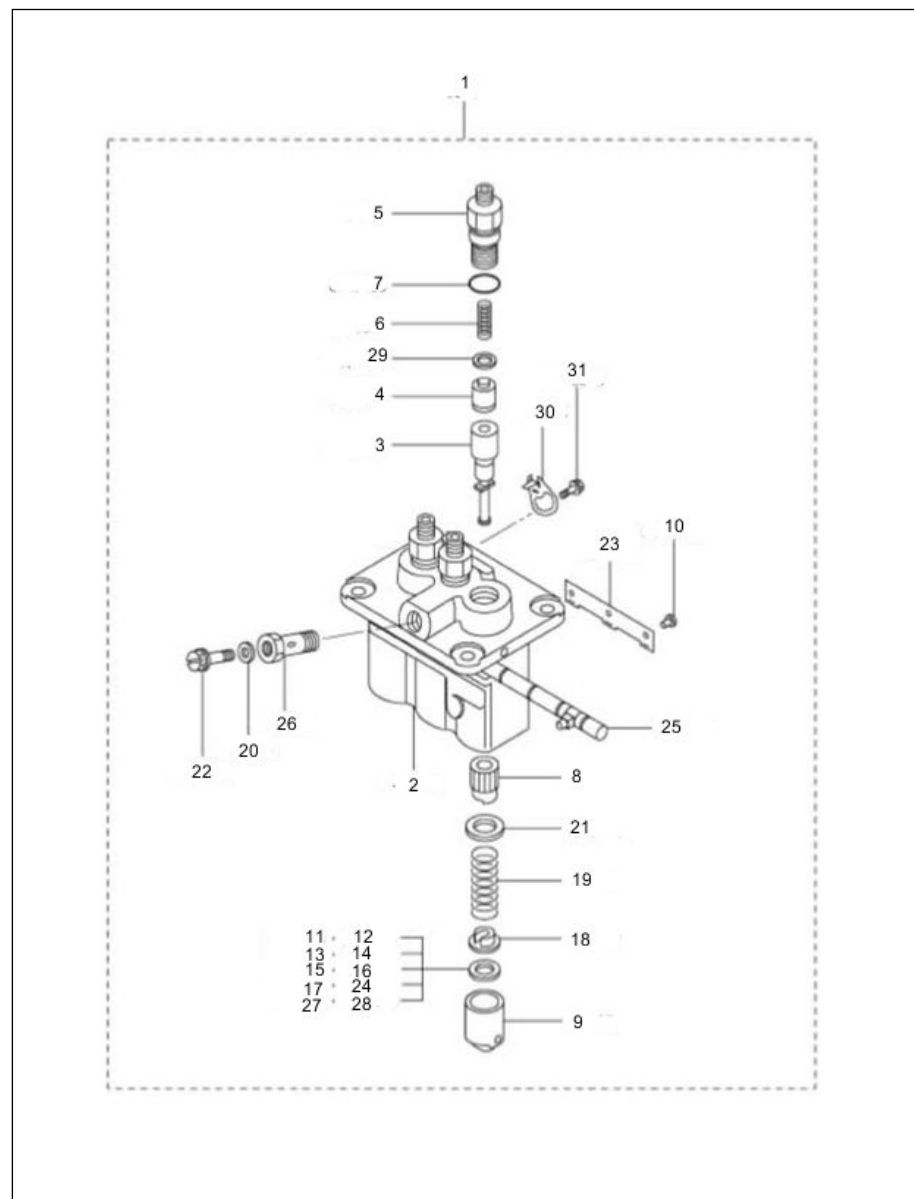


TABLE-23
INJECTION PUMP (ASSY)

Fig. No.	Part No.	Description	Qty
1	D10698410.9	PUMP ASSEMBLY FUEL (MITSUBISHI PART NO 30N6020301)	1
1A	D10698250.9	PUMP ASSEMBLY FUEL INJECTOR (MITSUBISHI PART NO 31B6514090)	1
2	D10735180.9	HOUSING SUB ASSY(MITSUBISHI PART NO. 47X01-06100)	1
3	D10735190.9	ELEMENT SUB ASSY (MITSUBISHI PART NO. 47X01-05400)	3
4	D10735200.9	VALVE SUB ASSY (MITSUBISHI PART NO. 47X01-07700)	3
5	D10735210.9	HOLDER,DELIVERY (MITSUBISHI PART NO. 47X01-13200)	3
6	D10735220.9	SPRING,DELIVERY (MITSUBISHI PART NO. 47X01-13300)	3
7	D10735230.9	O RING(MITSUBISHI PART NO. 47X01-22700)	3
8	D10735240.9	SLEEVE,CONTROL (MITSUBISHI PART NO. MM500229)	3
9	D10735250.9	TAPPET SUB ASSY,INJECTION (MITSUBISHI PART NO. MM500230)	3
10	D10735260.9	PIN,TAPPET GUIDE (MITSUBISHI PART NO. MM500231)	3
11	D10735270.9	SHIM (MITSUBISHI PART NO. MM500309)	AR
12	D10735280.9	SHIM (MITSUBISHI PART NO. MM500314)	AR
13	D10735290.9	SHIM (MITSUBISHI PART NO. MM500310)	AR
14	D10735300.9	SHIM (MITSUBISHI PART NO. MM500315)	AR
15	D10735310.9	SHIM (MITSUBISHI PART NO. MM500311)	AR
16	D10735320.9	SHIM (MITSUBISHI PART NO. MM501246)	AR
17	D10735330.9	SHIM (MITSUBISHI PART NO. MM500312)	AR
18	D10735340.9	SEAT,SPRING (MITSUBISHI PART NO. MM500316)	3
19	D10735350.9	SPRING,PLUNGER (MITSUBISHI PART NO. MM500360)	3
20	D10735360.9	WASHER,COPPER PLATE (MITSUBISHI PART NO. MM500578)	1
21	D10735370.9	SEAT,SPRING (MITSUBISHI PART NO. MM501098)	3
22	D10735380.9	SCREW,AIR BLEEDER (MITSUBISHI PART NO. MM501152)	1
23	D10735390.9	PLATE (MITSUBISHI PART NO. MM501162)	1
24	D10735400.9	SHIM (MITSUBISHI PART NO. MM501364)	AR
25	D10735410.9	RACK ASSY,CONTROL (MITSUBISHI PART NO. MM501311)	1
26	D10735420.9	SCREW,HOLLOW (MITSUBISHI PART NO. MM501320)	1
27	D10735430.9	SHIM (MITSUBISHI PART NO. MM500299)	AR
28	D10735440.9	SHIM (MITSUBISHI PART NO. MM501365)	AR
29	D10735450.9	GASKET,DELIVERY (MITSUBISHI PART NO. MM501856)	3
30	D10735460.9	PLATE,ADJUSTING (MITSUBISHI PART NO. MM514109)	2
31	D10735470.9	BOLT,WASHER HEAD (MITSUBISHI PART NO. MM514195)	2

TABLE-24
INLET SYSTEM

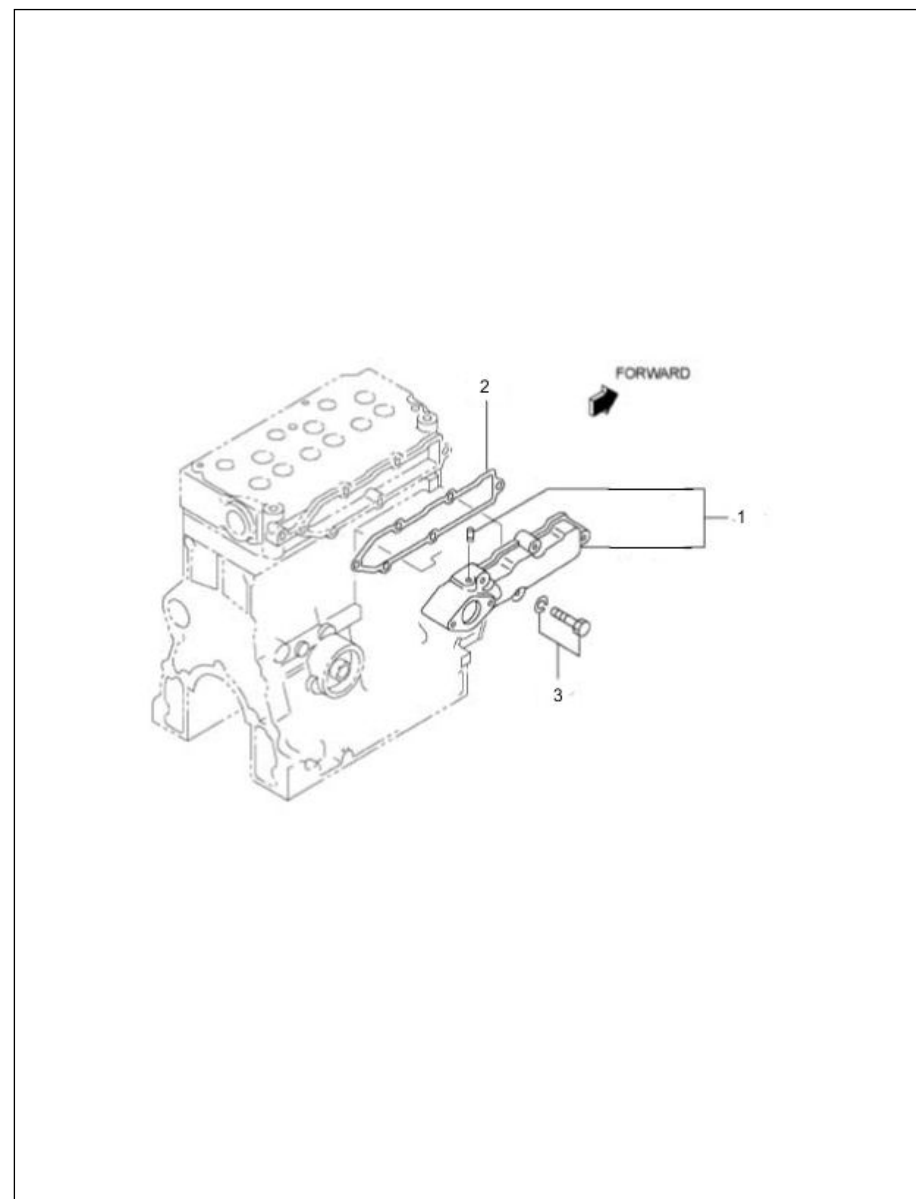


TABLE-24
INLET SYSTEM

Fig. No.	Part No.	Description	Qty
1	D10733850.9	COVER ASSY,INLET (MITSUBISHI PART NO. 31N30-00031)	1
2	D10733860.9	GASKET,INLET COVER (MITSUBISHI PART NO.31N30-01300)	1
3	D10733870.9	BOLT,W/WASHER (MITSUBISHI PART NO.F1805-08035)	5

TABLE-25
INSTRUMENT

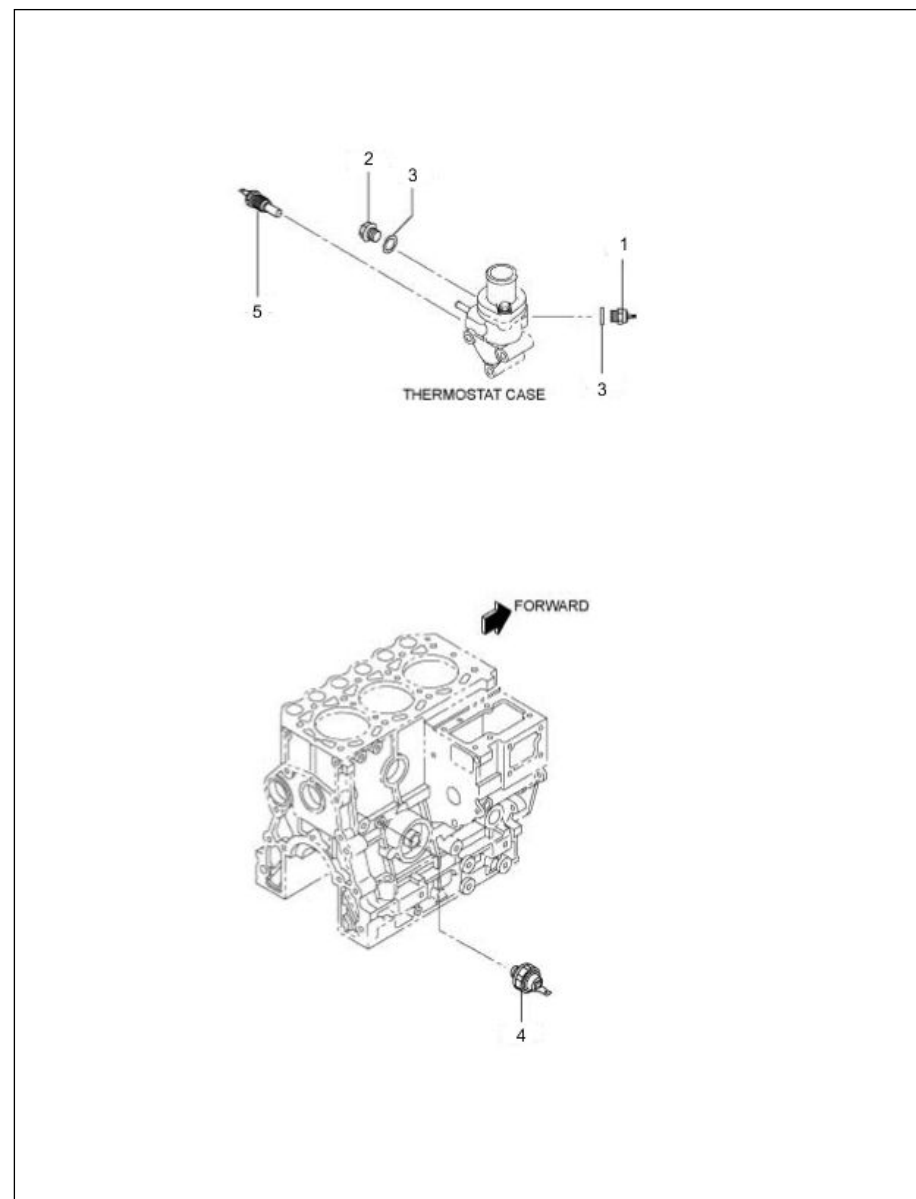


TABLE-25
INSTRUMENT

Fig. No.	Part No.	Description	Qty
1	D10698200.9	SWITCH ASSEMBLY THERMOMETER (MITSUBISHI PART NO 30N4600500)	1
2	D10735580.9	PLUG,DRAIN (MITSUBISHI PART NO. MM316248)	1
3	D10698390.9	WASHER SEALING (MITSUBISHI PART NO 0594601601)	2
4	D10698190.9	SWITCH OIL PRESS (MITSUBISHI PART NO 31N9000200)	1
5	D10698300.9	SENSOR TEMPERATURE (MITSUBISHI PART NO 30N9600950)	1

TABLE-26
LIFTING EYE

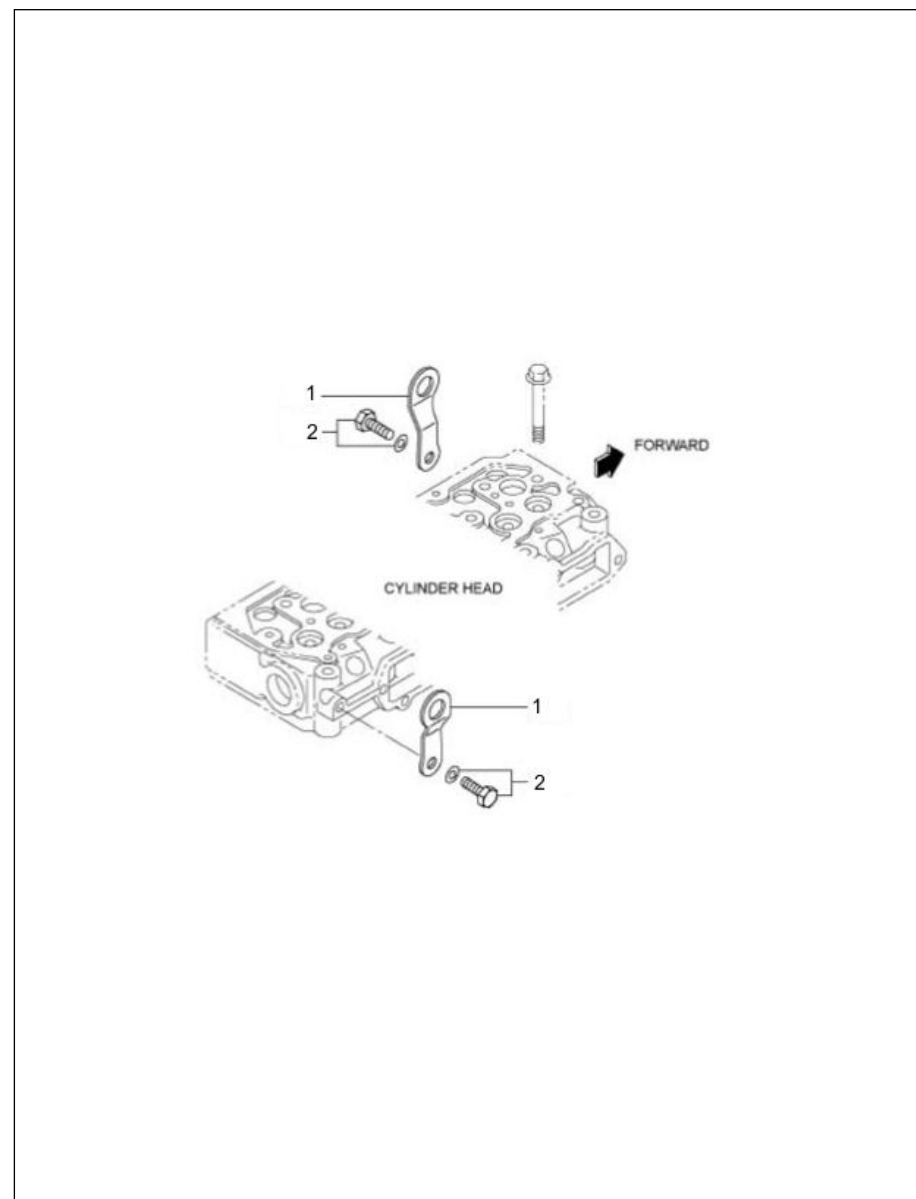


TABLE-26
LIFTING EYE

Fig. No.	Part No.	Description	Qty
1	D10732660.9	HANGER ENGINE (MITSUBISHI PART NO.31N01-01700)	2
2	D10732670.9	BOLT,W/WASHER(MITSUBISHI PART NO. F1805-10020)	2

TABLE-27
MAIN BEARING

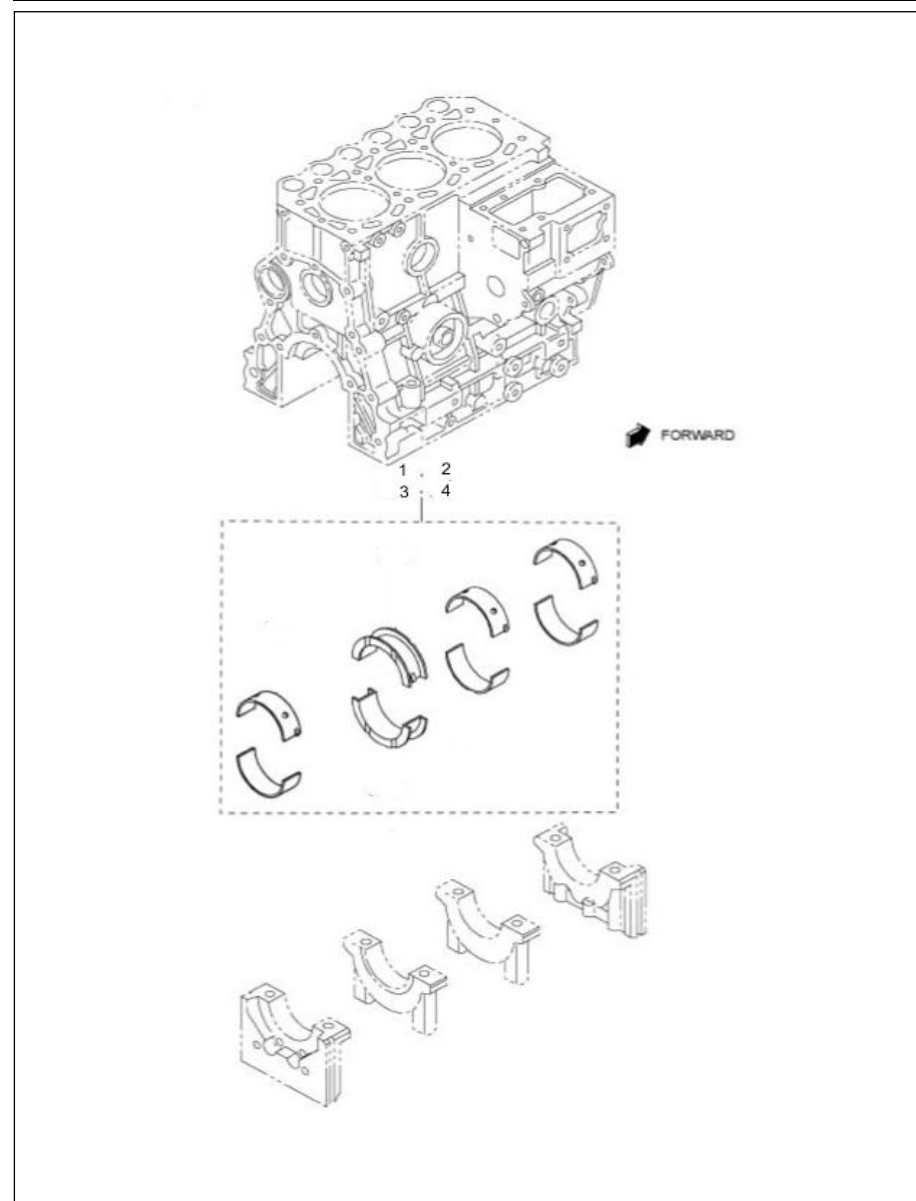


TABLE-27
MAIN BEARING

Fig. No.	Part No.	Description	Qty
1	D11404180AA.9	BEARING SET CRANKSHAFT (MITSUBISHI PART NO. 31A09-01050)	1
2	D11404190AA.9	BEARING SET CRANKSHAFT (MITSUBISHI PART NO. 31A09-01060)	1
3	D11404200AA.9	BEARING SET CRANKSHAFT (MITSUBISHI PART NO. 31A09-01070)	1
4	D11404210AA.9	BEARING SET CRANKSHAFT (MITSUBISHI PART NO. 31A09-01080)	1

TABLE-28
OIL FILLER & GAUGE

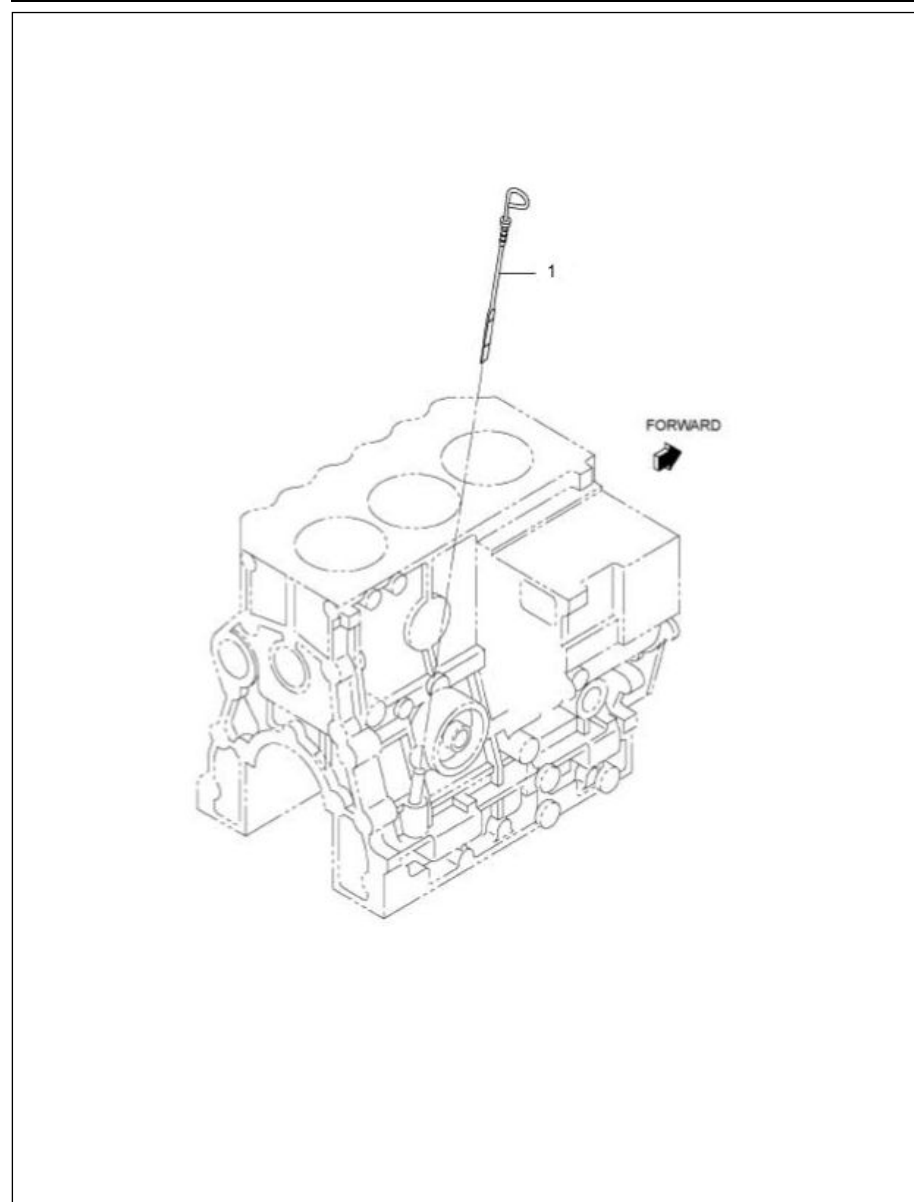


TABLE-28
OIL FILLER & GUAGE

Fig. No.	Part No.	Description	Qty
1	D10734020.9	GAGE,OIL LEVEL (MITSUBISHI PART NO. 31N42-00500)	1

TABLE-29
OIL FILTER

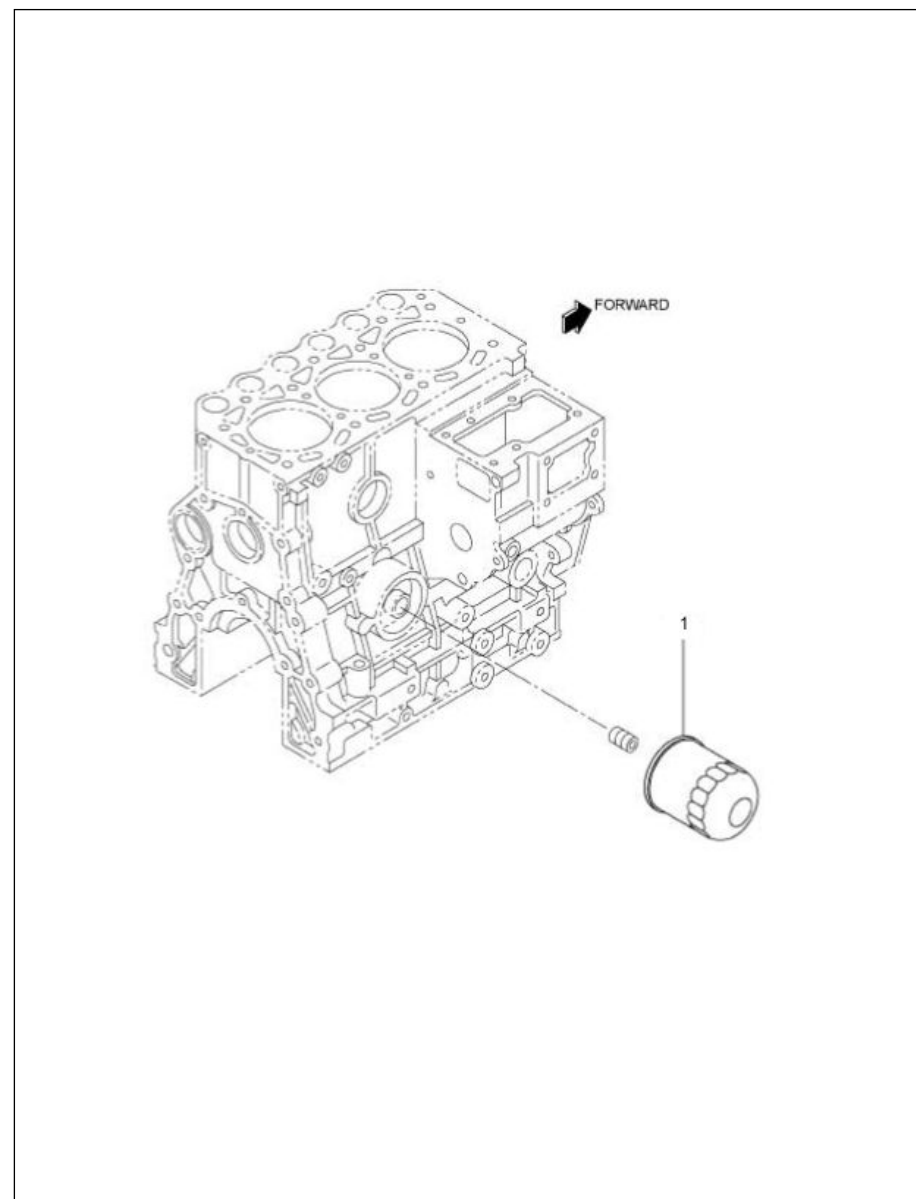


TABLE-29
OIL FILTER

Fig. No.	Part No.	Description	Qty
1	D10867500.9	FILTER ASSEMBLY LUBE OIL ENGINE EC3.139	1

TABLE-30
OIL PAN

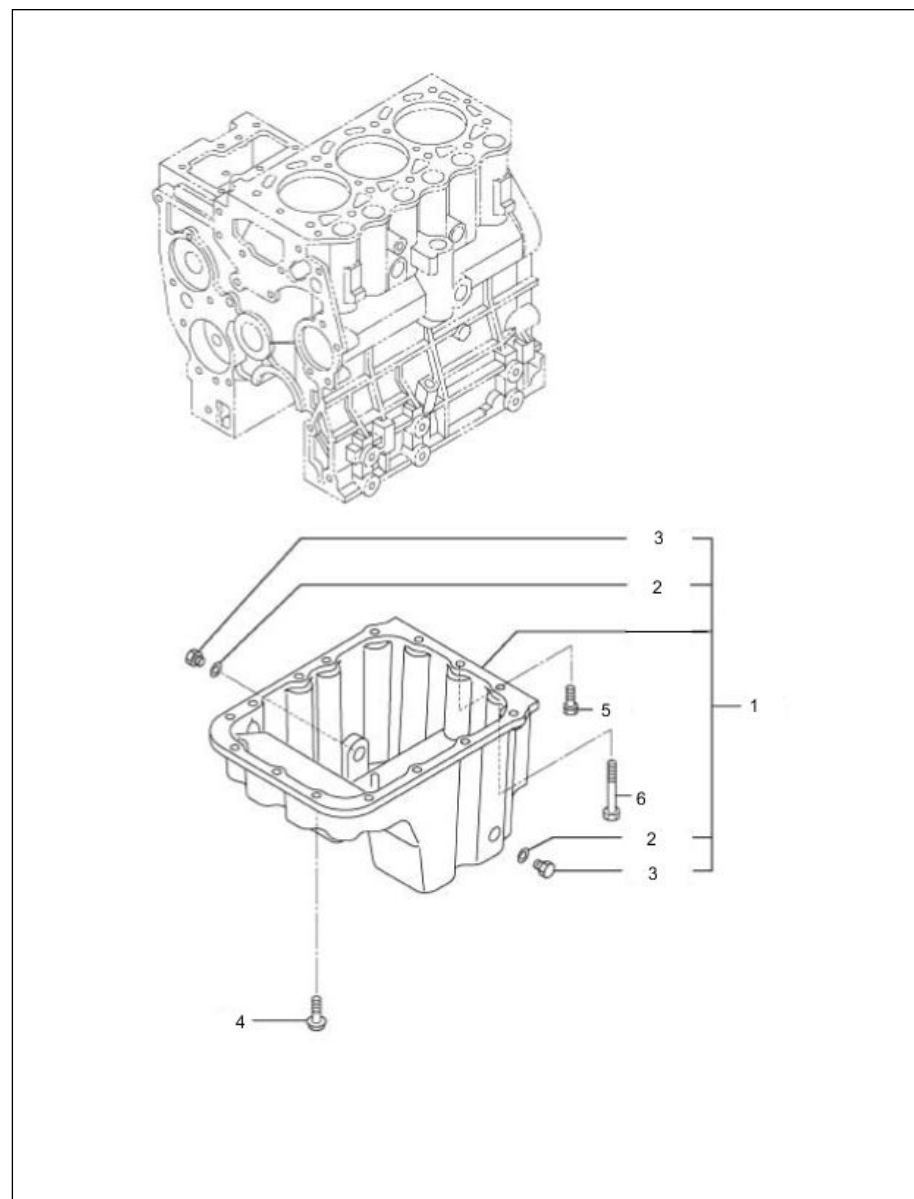


TABLE-30
OIL PAN

Fig. No.	Part No.	Description	Qty
1	D10733460.9	PAN ASSY,OIL (MITSUBISHI PART NO. 31N13-02010)	1
2	D10733470.9	GASKET (MITSUBISHI PART NO. 31N13-00400)	2
3	D10733480.9	PLUG,DRAIN (MITSUBISHI PART NO. 31N13-00500)	2
4	D10733490.9	BOLT,FLANGE (MITSUBISHI PART NO. 30H13-00801)	12
5	D10733500.9	BOLT (MITSUBISHI PART NO.F1035-08040	1
6	D10733510.9	BOLT (MITSUBISHI PART NO. MM434762)	2

TABLE-31
OIL PUMP

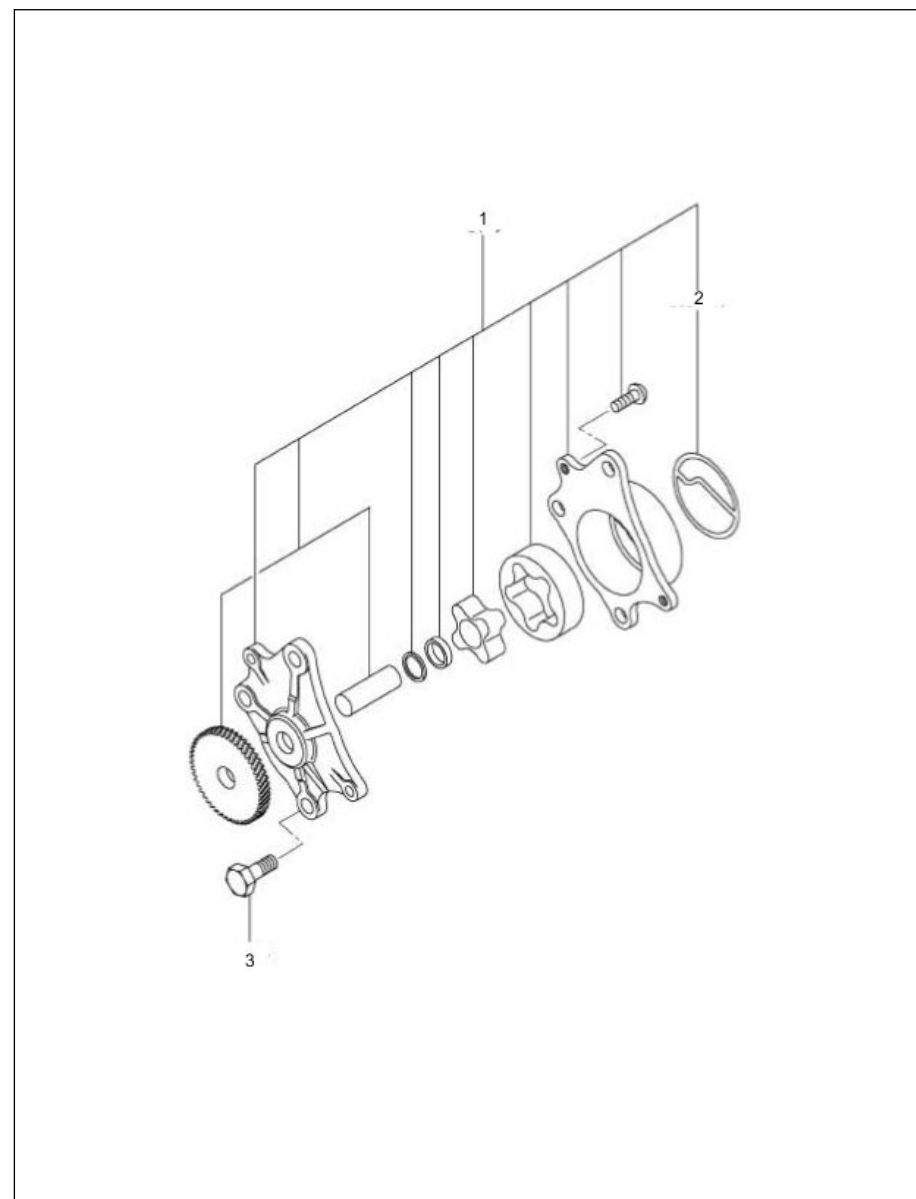


TABLE-31
OIL PUMP

Fig. No.	Part No.	Description	Qty
1	D10733930.9	PUMP ASSY,OIL (MITSUBISHI PART NO.31N35-00010)	1
2	D10733940.9	PACKING,BODY (MITSUBISHI PART NO. 31N35-01900)	1
3	D10733950.9	BOLT (MITSUBISHI PART NO. F1035-08025)	3

TABLE-32
OIL STRAINER

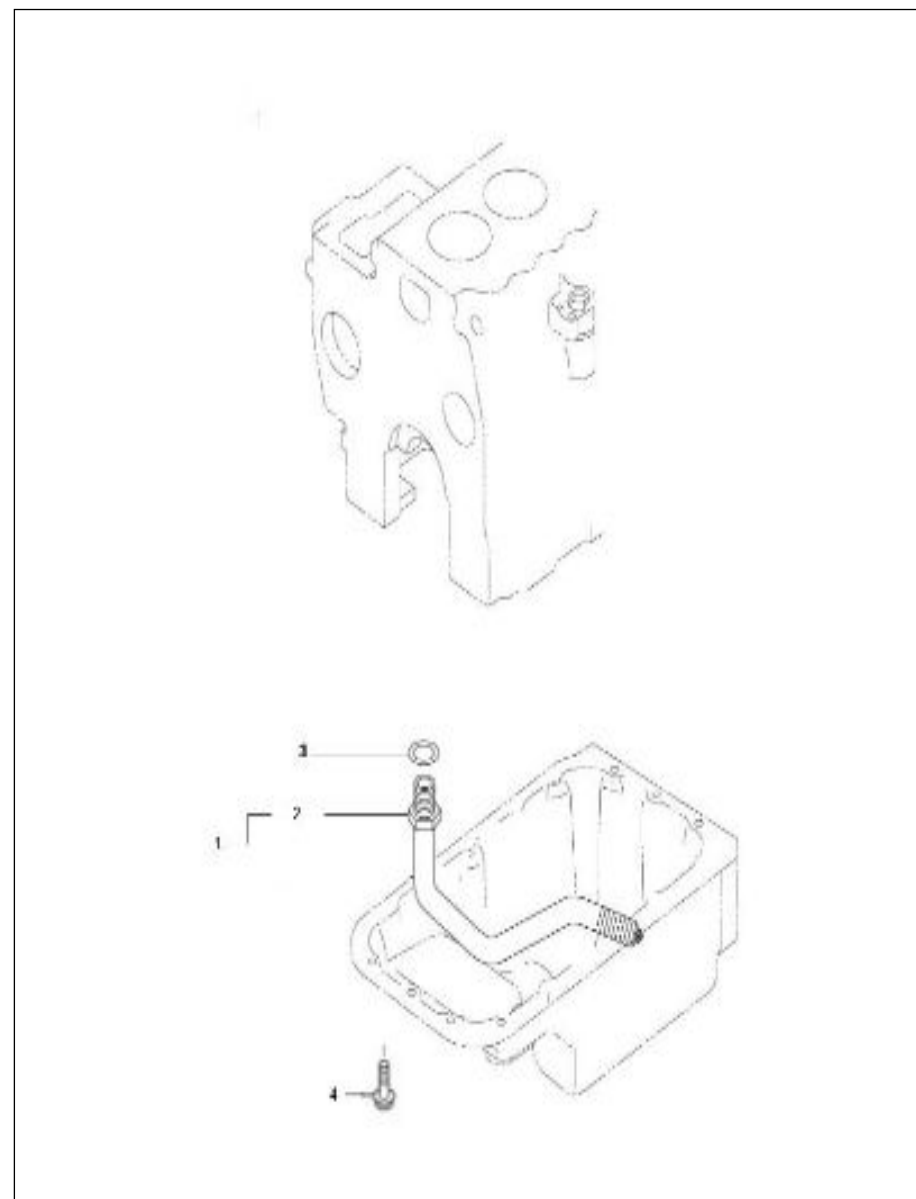


TABLE-32
OIL STRAINER

Fig. No.	Part No.	Description	Qty
1	D10733960.9	STRAINER ASSY (MITSUBISHI PART NO.31N35-00050)	1
2	D10733970.9	NUT,JAM (MITSUBISHI PART NO.F2320-16000)	1
3	D10733980.9	GASKET (MITSUBISHI PART NO. MF660036)	1
4	D10733490.9	BOLT,FLANGE (MITSUBISHI PART NO. 30H13-00801)	12
5	D10733480.9	PLUG,DRAIN (MITSUBISHI PART NO. 31N13-00500)	1
7	D10733460.9	PAN ASSY,OIL (MITSUBISHI PART NO. 31N13-02010)	1

TABLE-33
OIL SYSTEM

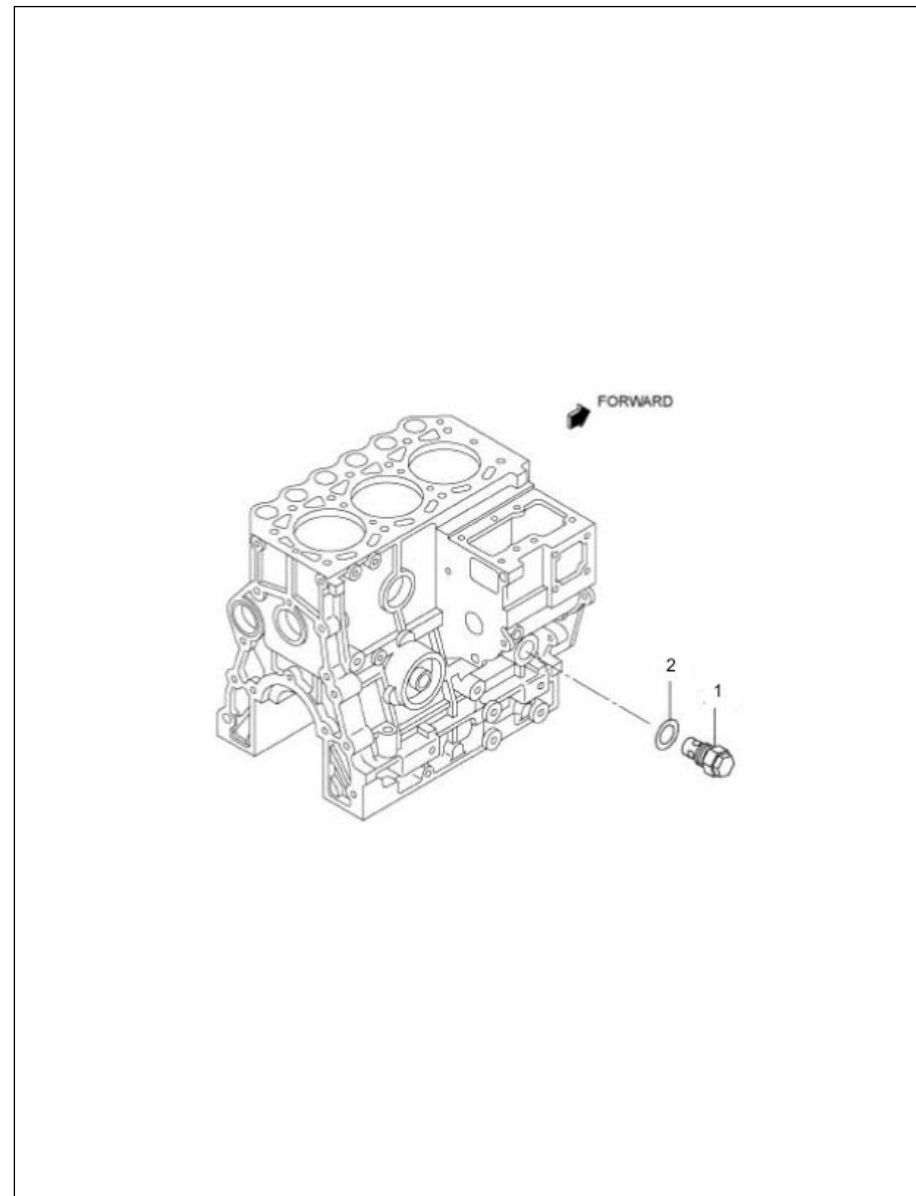


TABLE-33
OIL SYSTEM

Fig. No.	Part No.	Description	Qty
1	D10733990.9	VALVE ASSY,RELIEF (MITSUBISHI PART NO. 31N36-00010)	1
2	D10734000.9	GASKET (MITSUBISHI PART NO. 34340-00700)	1

TABLE-34
OVERHAUL GASKET KIT

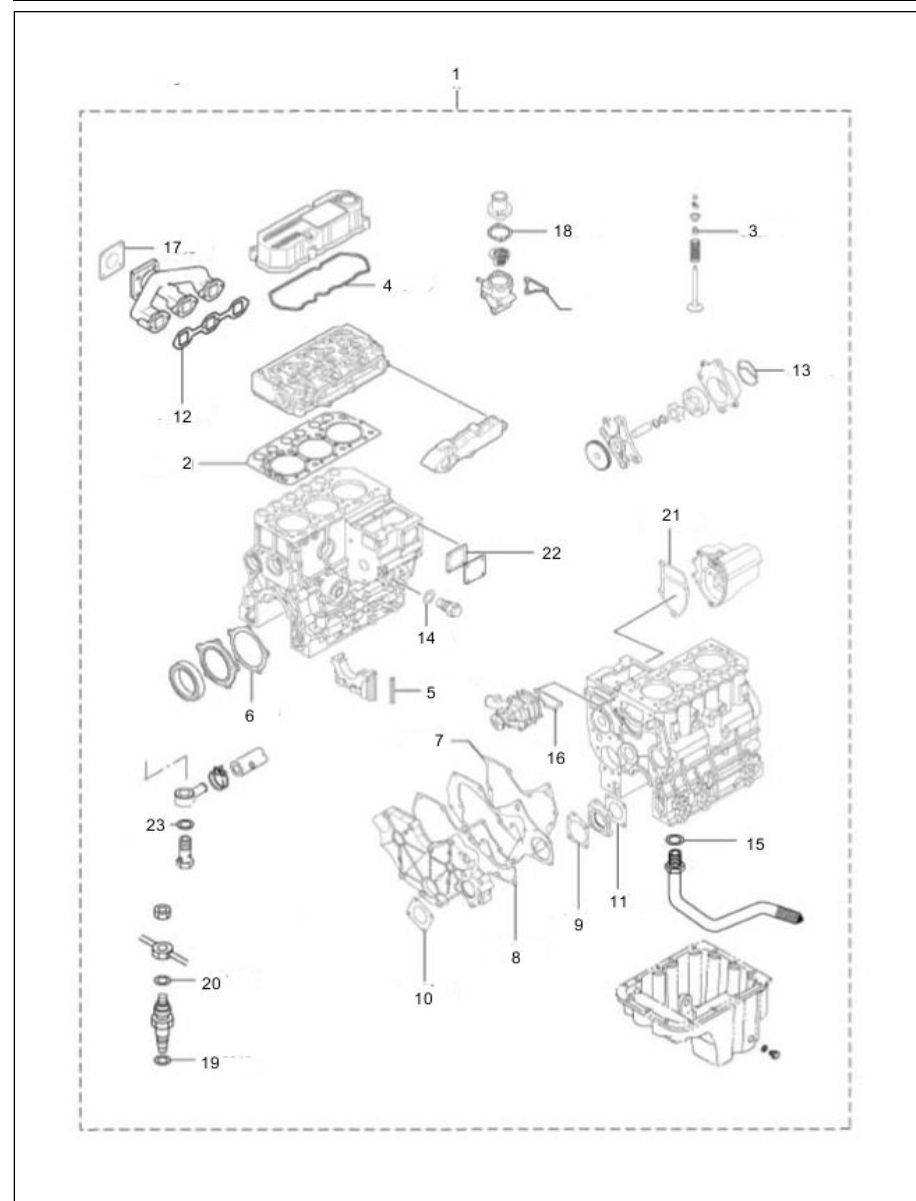


TABLE-34
OVERHAUL GASKET KIT

Fig. No.	Part No.	Description	Qty
1	D10698400.9	GASKET KIT (MITSUBISHI PART NO 31N9400050)	1
2	D10732620.9	GASKET CYLINDER HEAD (MITSUBISHI PART NO.31B01-23200)	1
3	D10732730.9	SEAL,VALVE STEM (MITSUBISHI PART NO. MD115472)	6
4	D10698140.9	GASKET ROCKER COVER (MITSUBISHI PART NO 31B0413201)	1
5	D10733160.9	SEAL,SIDE (MITSUBISHI PART NO.31A07-12200)	4
6	D10735630.9	GASKET,OIL SEAL CASE (MITSUBISHI PART NO. 31N07-01500)	1
7	D10733280.9	GASKET,FRONT PLATE (MITSUBISHI PART NO. 31N11-00600)	1
8	D10733300.9	GASKET,GEAR CASE (MITSUBISHI PART NO. 31A11-11101)	1
9	D10733340.9	GASKET,HOUSING (MITSUBISHI PART NO.31A11-05201)	1
10	D10698290.9	GASKET OIL PUMP (MITSUBISHI PART NO 30N1101900)	2
11	D10735650.9	GASKET,INLET COVER (MITSUBISHI PART NO. 31B30-00800)	1
12	D10733890.9	GASKET,EXHAUST MANIFOLD (MITSUBISHI PART NO. 31B32-01200)	1
13	D10735660.9	PACKING,OIL PUMP (MITSUBISHI PART NO. 31A35-02300)	1
14	D10734000.9	GASKET (MITSUBISHI PART NO. 34340-00700)	1
15	D10733980.9	GASKET (MITSUBISHI PART NO. MF660036)	1
16	D10698330.9	GASKET WATER PUMP (MITSUBISHI PART NO 31N4500200)	1
17	D10734190.9	GASKET,THERMO CASE (MITSUBISHI PART NO. 31N46-00700)	1
18	D10734160.9	GASKET,THERMOSTAT (MITSUBISHI PART NO. 31A46-11200)	1
19	D10698160.9	GASKET HOLDER (MITSUBISHI PART NO 30N6100600)	3
20	D10698150.9	GASKET FUEL RETURN PIPE (MITSUBISHI PART NO 30N6100800)	3
21	D10734910.9	GASKET,GOVERNOR CASE (MITSUBISHI PART NO. 31N63-03100)	1
22	D10734990.9	GASKET,TIE ROD COVER (MITSUBISHI PART NO. 30A63-00101)	1
23	D10698270.9	GASKET (MITSUBISHI PART NO F420214000)	2
24	D10698390.9	WASHER SEALING (MITSUBISHI PART NO 0594601601)	2

TABLE-35
PISTON

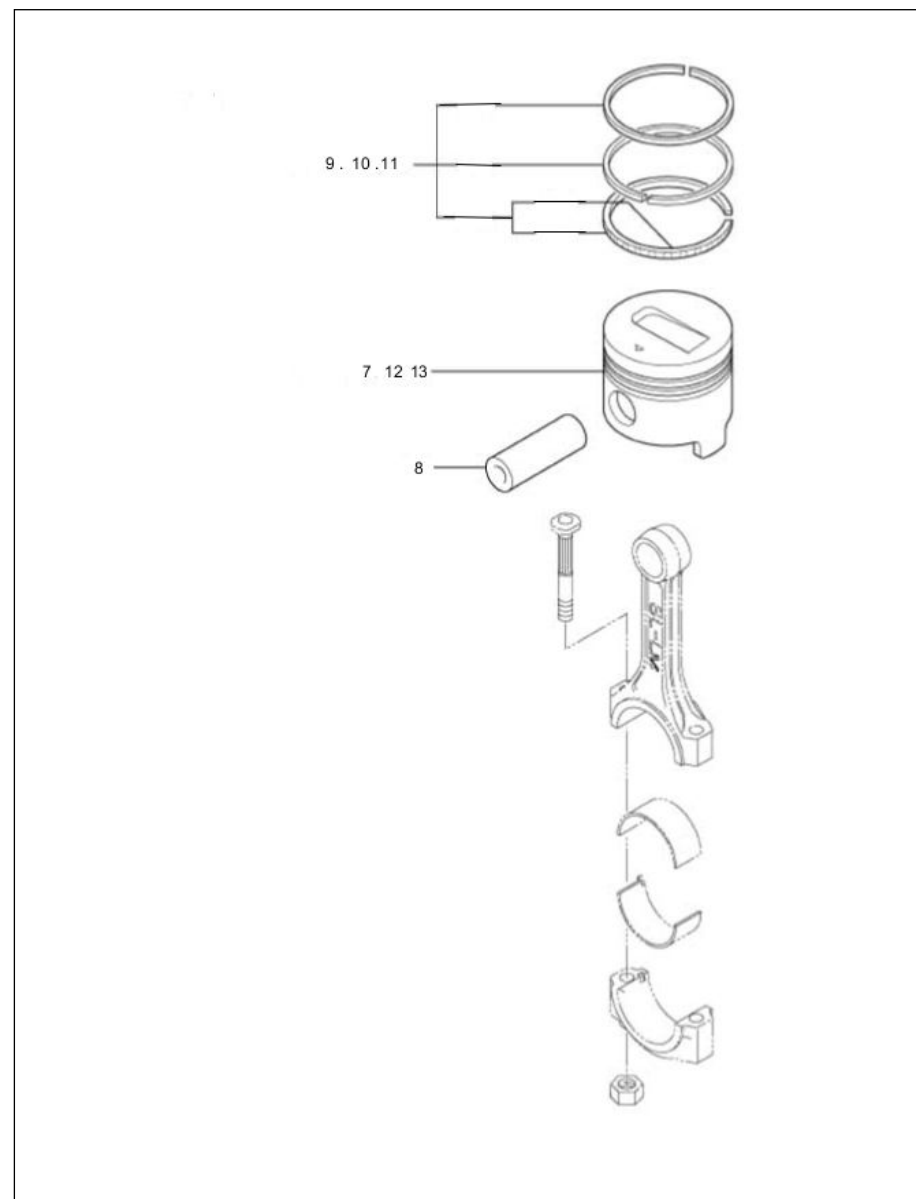


TABLE-35
PISTON

Fig. No.	Part No.	Description	Qty
7	D10733590.9	PISTON (MITSUBISHI PART NO. 31N17-03400)	3
8	D10733600.9	PIN,PISTON (MITSUBISHI PART NO. 31A17-10602)	3
9	D10733610.9	RING SET PISTON (MITSUBISHI PART NO.31A17-00010)	3
10	D10733620.9	RING SET PISTON (MITSUBISHI PART NO. 31A17-00020)	3
11	D10733630.9	RING SET PISTON (MITSUBISHI PART NO. 31A17-00030)	3
12	D10733640.9	PISTON (MITSUBISHI PART NO. 31N17-03500)	3
13	D10733650.9	PISTON (MITSUBISHI PART NO. 31N17-03600)	3

TABLE-36
ROCKER COVER

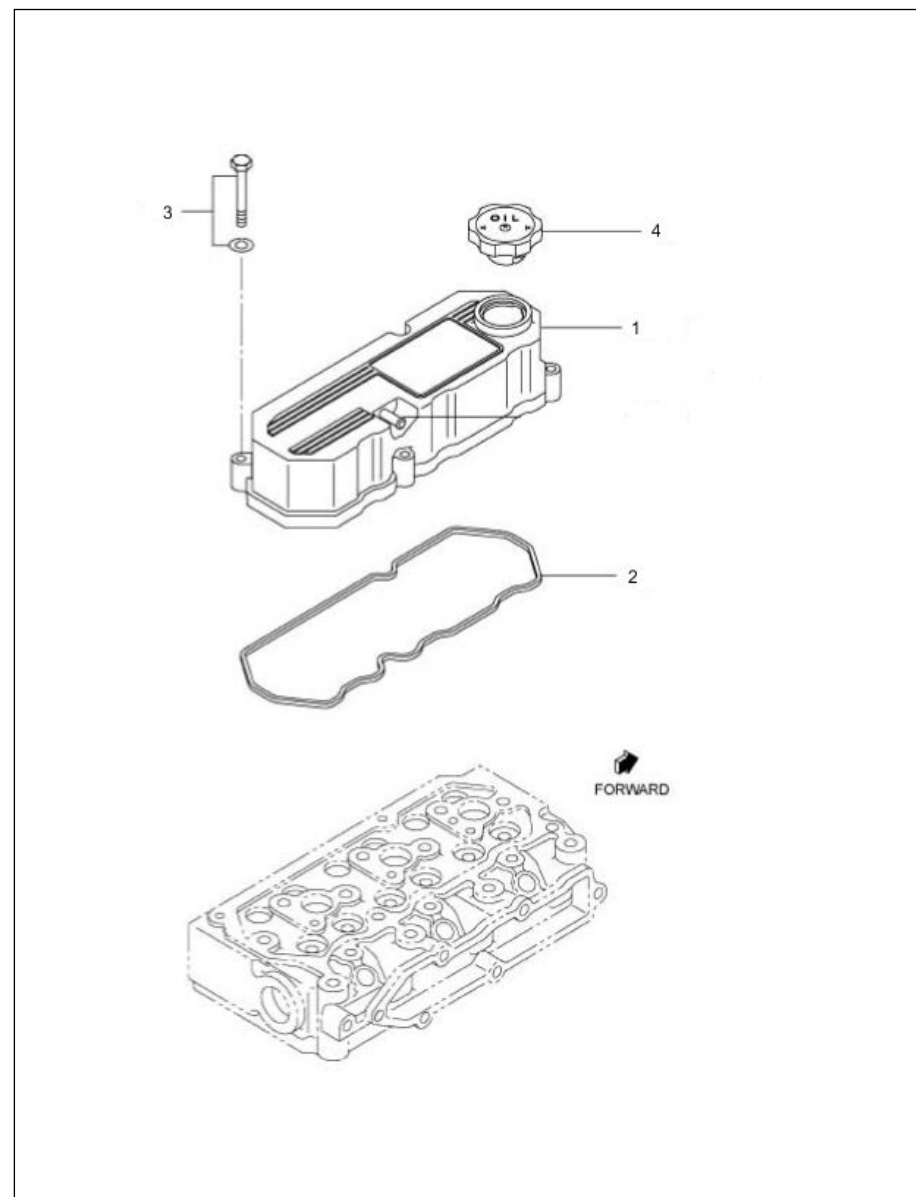


TABLE-36
ROCKER COVER

Fig. No.	Part No.	Description	Qty
1	D10732870.9	COVER ASSY,ROCKER (MITSUBISHI PART NO. 31N04-00071)	1
2	D10698140.9	GASKET ROCKER COVER (MITSUBISHI PART NO 31B0413201)	1
3	D10732890.9	BOLT,W/WASHER(MITSUBISHI PART NO. F1805-08040)	4
4	D10732900.9	CAP,OIL FILLER (MITSUBISHI PART NO. MD008784)	1

TABLE-37
TIMING GEAR

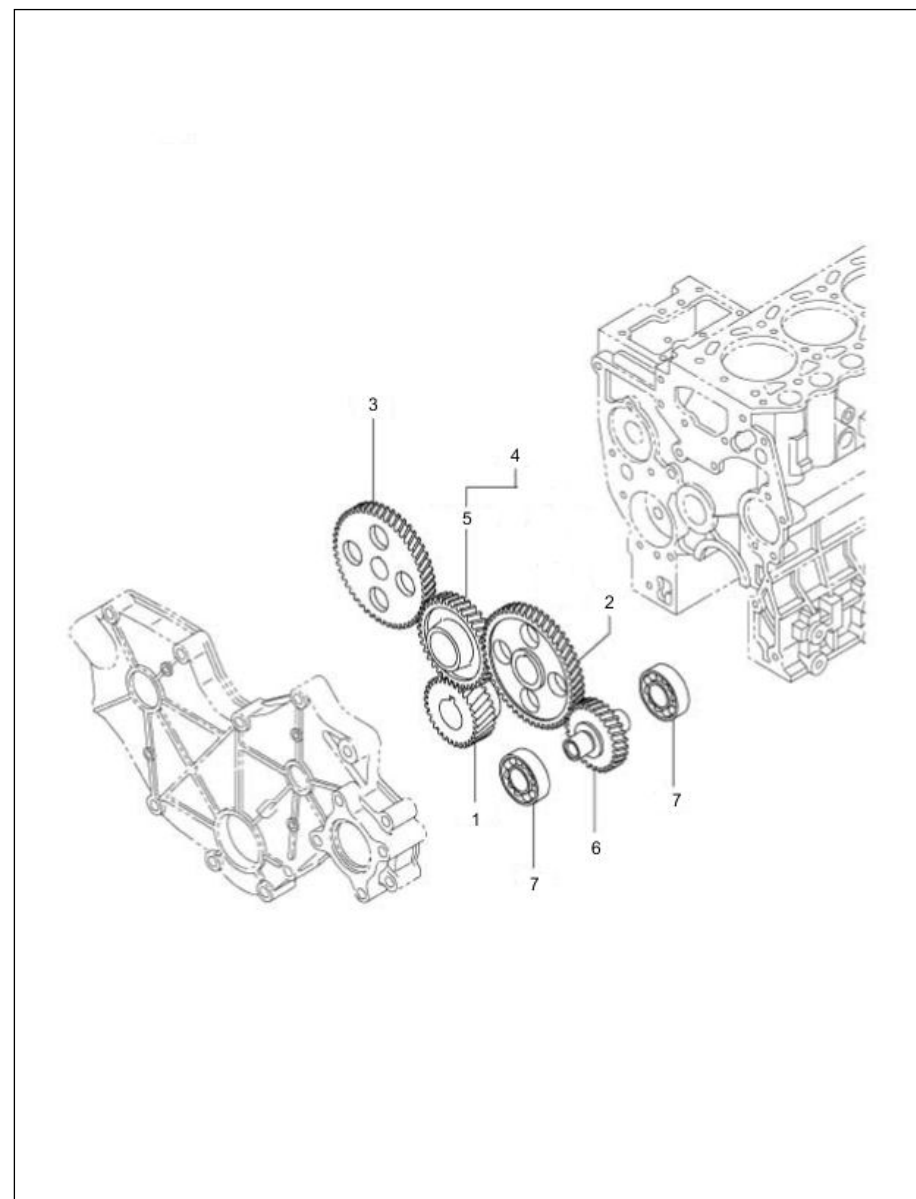


TABLE-37
TIMING GEAR

Fig. No.	Part No.	Description	Qty
1	D10733780.9	GEAR,CRANKSHAFT (MITSUBISHI PART NO. 31N23-10300)	1
2	D10733790.9	GEAR,CAMSHAFT (MITSUBISHI PART NO. 31N23-10400)	1
3	D10733800.9	GEAR,INJECTION PUMP (MITSUBISHI PART NO. 31N23-00700)	1
4	D10733810.9	GEAR ASSY,IDLER (MITSUBISHI PART NO. 31N23-10020)	1
5	D10733820.9	BUSHING,IDLER GEAR (MITSUBISHI PART NO. 31A23-00600)	1
6	D10733830.9	GEAR,OIL PUMP (MITSUBISHI PART NO. 31A23-01502)	1
7	D10733840.9	BEARING,BALL (MITSUBISHI PART NO.MD712517)	2

TABLE-38
TIMING GEAR CASE

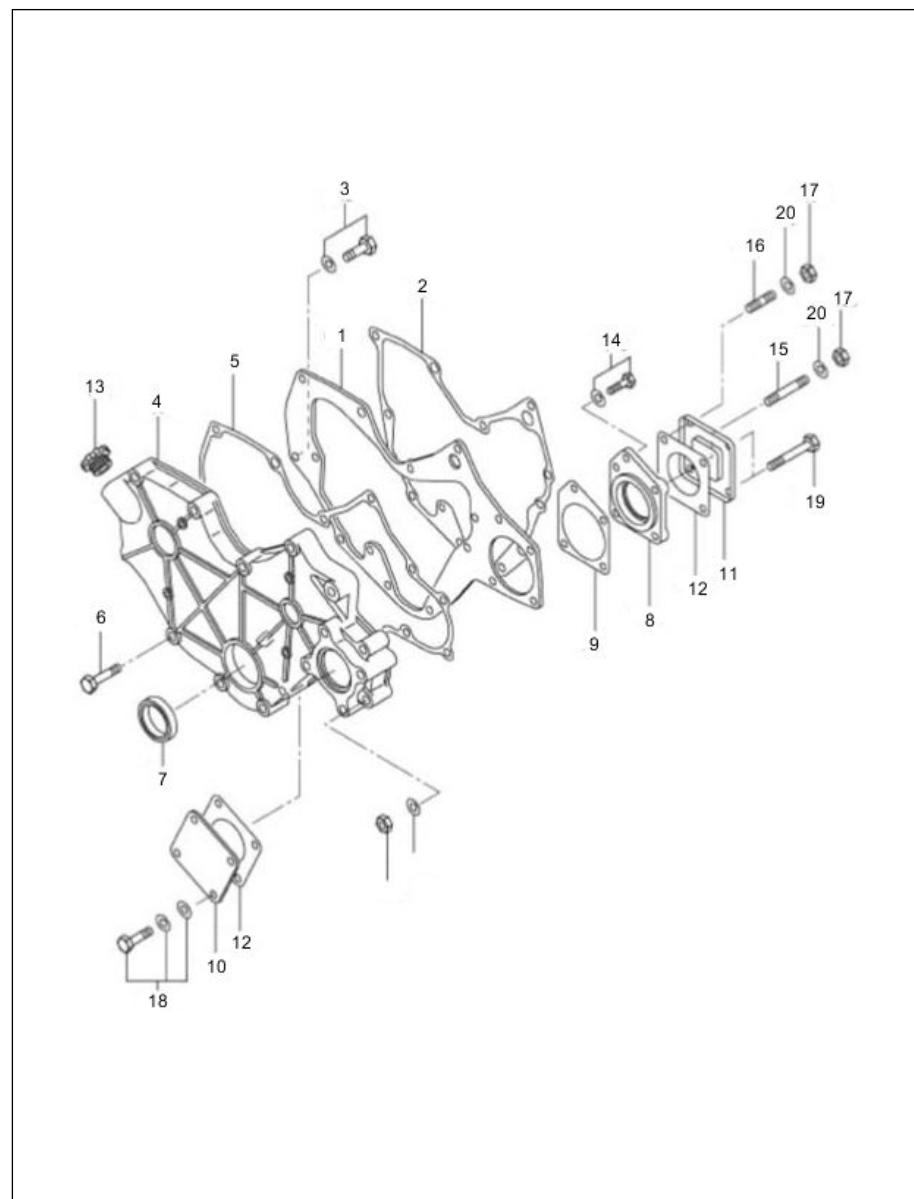


TABLE-38
TIMING GEAR CASE

Fig. No.	Part No.	Description	Qty
1	D10733270.9	PLATE,FRONT (MITSUBISHI PART NO. 31A11-02100)	1
2	D10733280.9	GASKET,FRONT PLATE (MITSUBISHI PART NO. 31N11-00600)	1
3	D10732940.9	BOLT,W/WASHER (MITSUBISHI PART NO. F1805-08016)	5
4	D10733290.9	CASE,GEAR (MITSUBISHI PART NO. 31A11-10103)	1
5	D10733300.9	GASKET,GEAR CASE (MITSUBISHI PART NO. 31A11-11101)	1
6	D10733310.9	BOLT (MITSUBISHI PART NO. 31N11-00900)	8
7	D10698380.9	OIL SEAL (MITSUBISHI PART NO MD008762)	1
8	D10733330.9	HOUSING,GEAR PUMP (MITSUBISHI PART NO. 31A11-05101)	1
9	D10733340.9	GASKET,HOUSING (MITSUBISHI PART NO.31A11-05201)	1
10	D10733350.9	COVER,OIL PUMP SHAFT (MITSUBISHI PART NO.MM401205)	1
11	D10733360.9	COVER,OIL PUMP (MITSUBISHI PART NO. K7910451)	1
12	D10733370.9	GASKET,OIL PUMP COVER (MITSUBISHI PART NO. 30A11-00101)	2
13	D10733380.9	CAP,FILLER (MITSUBISHI PART NO. 31A42-01300)	1
14	D10733390.9	BOLT,W/WASHER (MITSUBISHI PART NO. F1805-08030)	1
15	D10733400.9	STUD (MITSUBISHI PART NO. MS401433)	1
16	D10733410.9	STUD (MITSUBISHI PART NO.MS401426)	1
17	D10733420.9	NUT (MITSUBISHI PART NO. F2300-08000)	4
18	D10733430.9	BOLT,W/WASHER (MITSUBISHI PART NO.F1825-08016)	4
19	D10733440.9	BOLT (MITSUBISHI PART NO. F1035-08070)	2
20	D10733450.9	WASHER,SPRING (MITSUBISHI PART NO. F2515-08000)	4

TABLE-39
VALVE MECHANISM

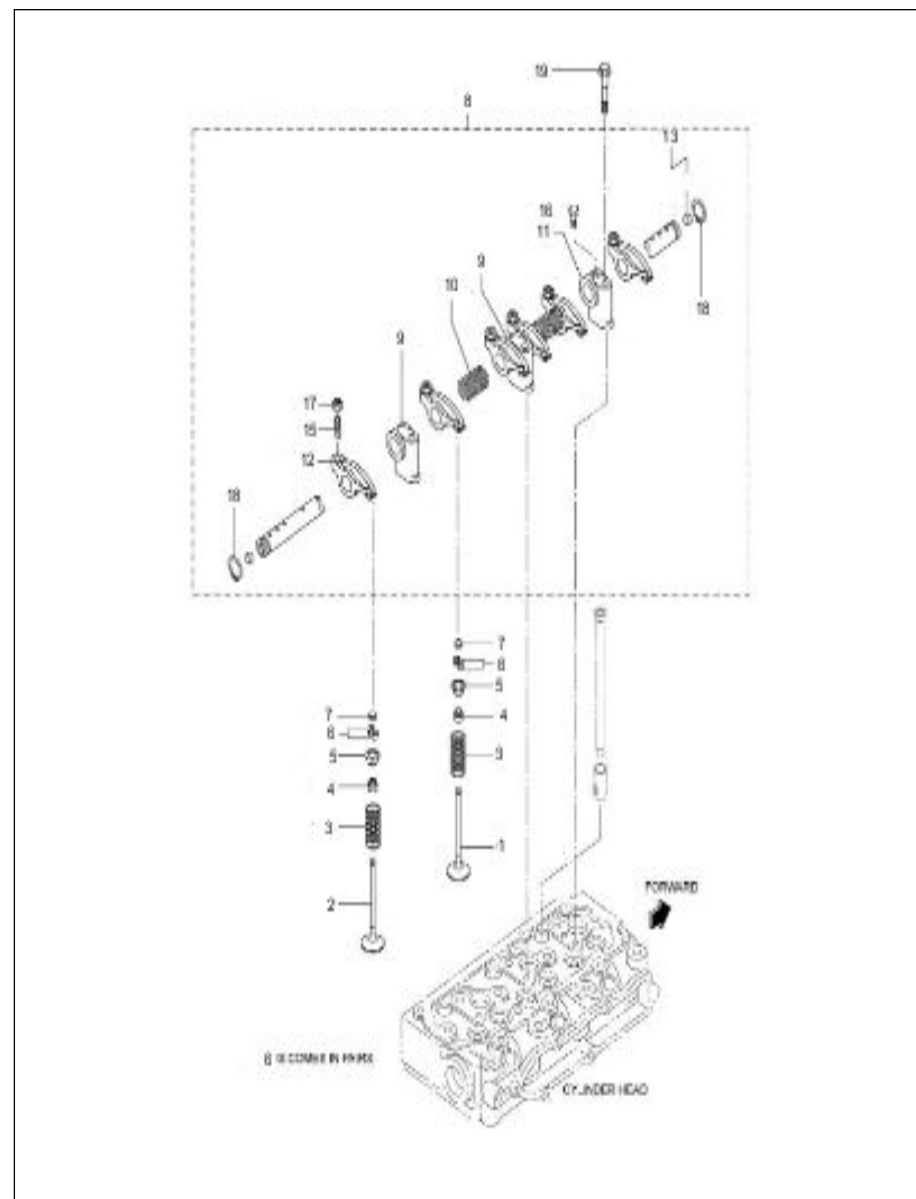


TABLE-39
VALVE MECHANISM

Fig. No.	Part No.	Description	Qty
1	D10732680.9	VALVE INLET (MITSUBISHI PART NO.31N04-01300)	3
2	D10732690.9	VALVE EXHAUST (MITSUBISHI PART NO. 31N04-01400)	3
3	D10732700.9	SPRING VALVE (MITSUBISHI PART NO. 31N04-01500)	6
4	D10732710.9	RETAINER VALVE SPRING (MITSUBISHI PART NO. MM433-30601)	6
5	D10732720.9	LOCK SPRING RETAINER (MITSUBISHI PART NO. 30N04-00500)	12
6	D10732730.9	SEAL,VALVE STEM (MITSUBISHI PART NO. MD115472)	6
7	D10732740.9	CAP,VALVE STEM (MITSUBISHI PART NO. 31A04-00700)	6
8	D10732750.9	SHAFT ASSY,ROCKER(MITSUBISHI PART NO. 31N04-10080)	1
9	D10732760.9	BRACKET,ROCKER SHAFT (MITSUBISHI PART NO. 31N04-00800)	2
10	D10732770.9	SPRING,ROCKER SHAFT(MITSUBISHI PART NO. 31N04-00900)	2
11	D10732780.9	BRACKET,ROCKER SHAFT (MITSUBISHI PART NO. 31N04-01700)	1
12	D10732790.9	ARM,ROCKER(MITSUBISHI PART NO. 31N04-03500)	6
13	D10732800.9	SHAFT ASSY,ROCKER(MITSUBISHI PART NO. 31N04-10010)	1
15	D10732820.9	SCREW,ROCKER(MITSUBISHI PART NO. 32A04-02401)	6
16	D10732830.9	BOLT(MITSUBISHI PART NO. F1035-05010)	1
17	D10732840.9	NUT,(MITSUBISHI PART NO. F2325-08000)	6
18	D10732850.9	RING,SNAP(MITSUBISHI PART NO. F3200-01900)	2
19	D10732860.9	BOLT,ROCKER BRACKET(MITSUBISHI PART NO. 31N04-01100)	3

TABLE-40
WATER PUMP & OIL PUMP

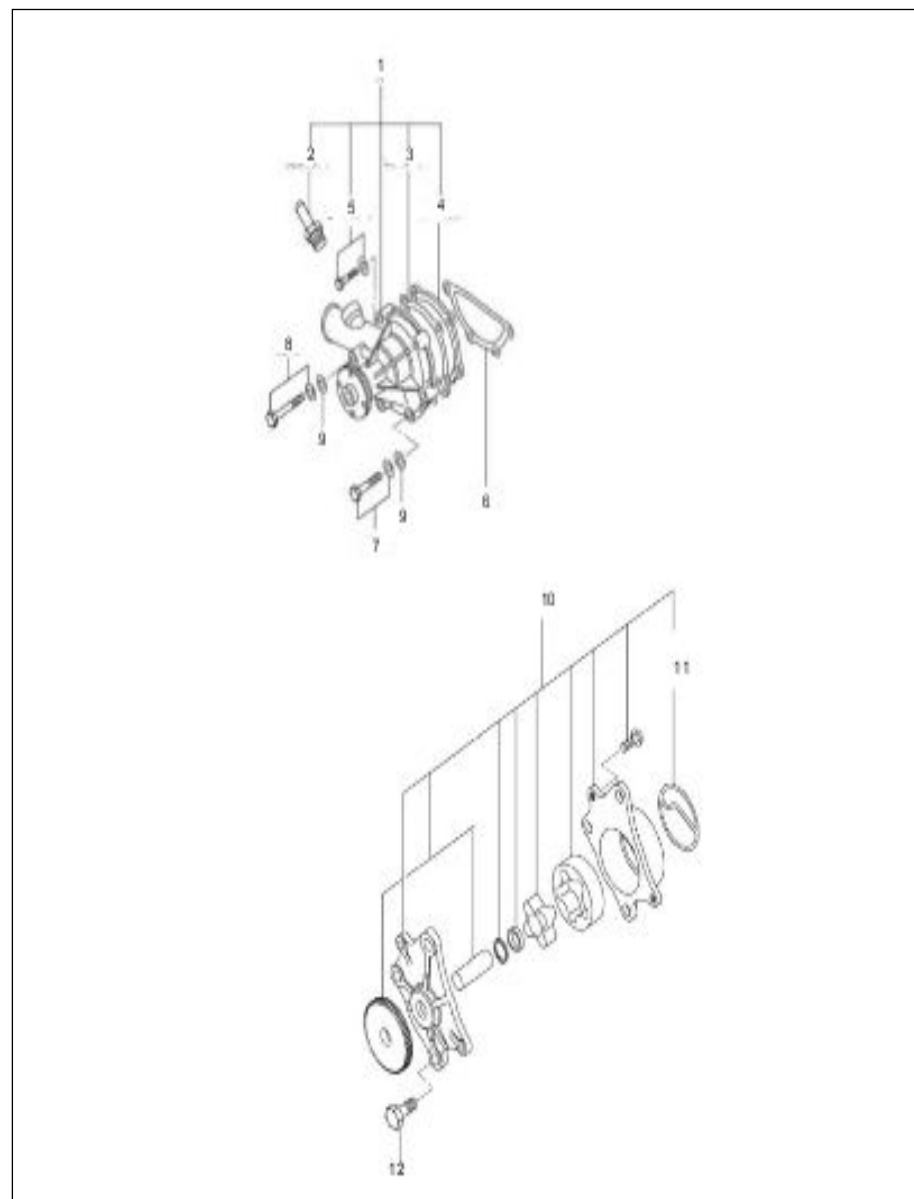


TABLE-40
WATER PUMP & OIL PUMP

Fig. No.	Part No.	Description	Qty
1	D10698320.9	WATER PUMP ASSEMBLY-SL (MITSUBISHI PART NO 31N4500020)	1
2	D10734050.9	NIPPLE,HOSE (MITSUBISHI PART NO. 31N45-01500)	1
3	D10734060.9	GASKET,WATER PUMP (MITSUBISHI PART NO. 31N45-01600)	1
4	D10734070.9	PLATE,WATER PUMP (MITSUBISHI PART NO. 31N45-01200)	1
5	D10734080.9	BOLT,W/WASHER (MITSUBISHI PART NO. F1805-06030)	2
6	D10698330.9	GASKET WATER PUMP (MITSUBISHI PART NO 31N4500200)	1
7	D10734100.9	BOLT,W/WASHER (MITSUBISHI PART NO. F1805-08045)	3
8	D10734110.9	BOLT,W/WASHER (MITSUBISHI PART NO. F1805-08060)	1
9	D10734120.9	WASHER,PLAIN (MITSUBISHI PART NO. F2500-08000)	4
10	D10733930.9	PUMP ASSY,OIL (MITSUBISHI PART NO.31N35-00010)	1
11	D10733940.9	PACKING,BODY (MITSUBISHI PART NO. 31N35-01900)	1
12	D10733950.9	BOLT (MITSUBISHI PART NO. F1035-08025)	3

TABLE-41
WATER PUMP PULLEY

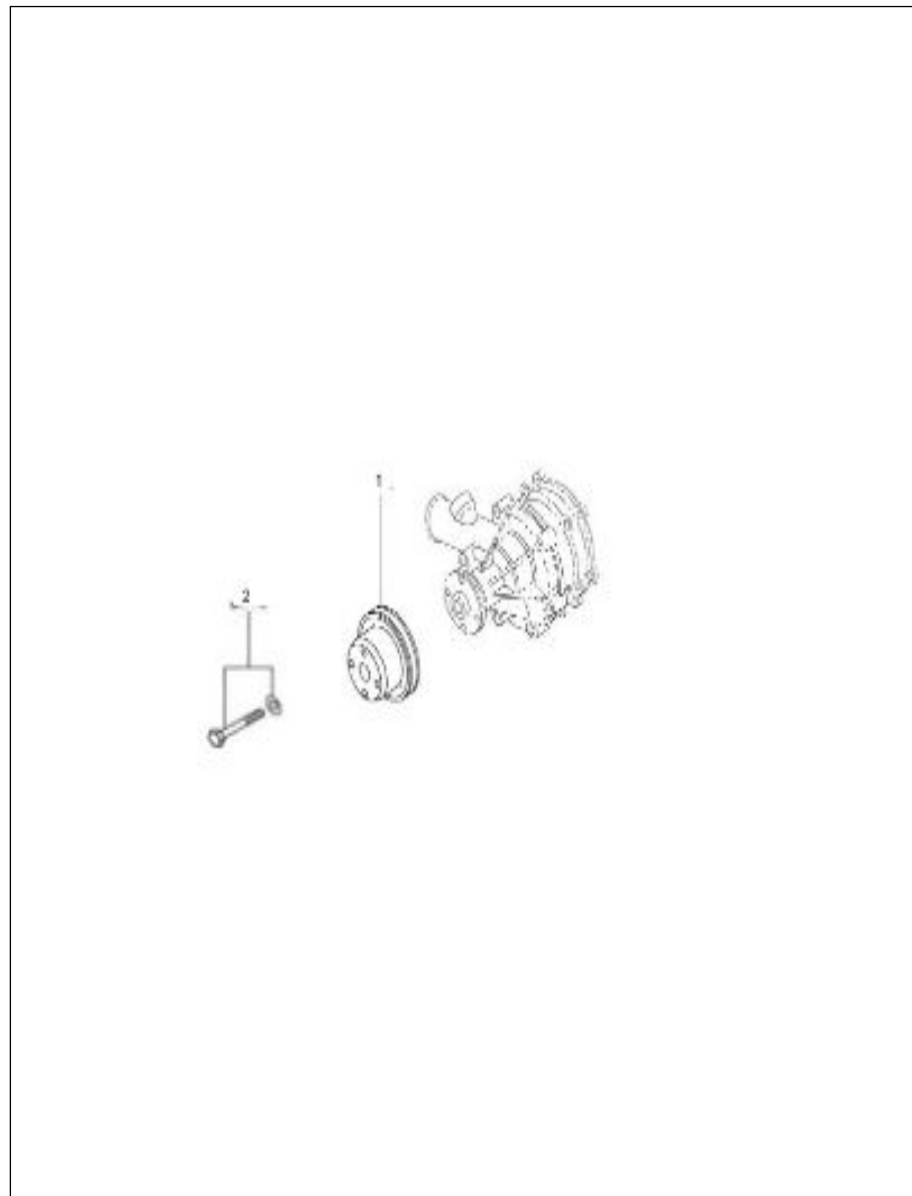


TABLE-41
WATER PUMP PULLEY

Fig. No.	Part No.	Description	Qty
1	D10734130.9	PULLEY,WATER PUMP (MITSUBISHI PART NO. 31N45-00300)	1
2	D10734250.9	BOLT,W/WASHER (MITSUBISHI PART NO. F1805-06025)	4

TABLE-42
EXHAUST SYSTEM SUBASSEMBLY

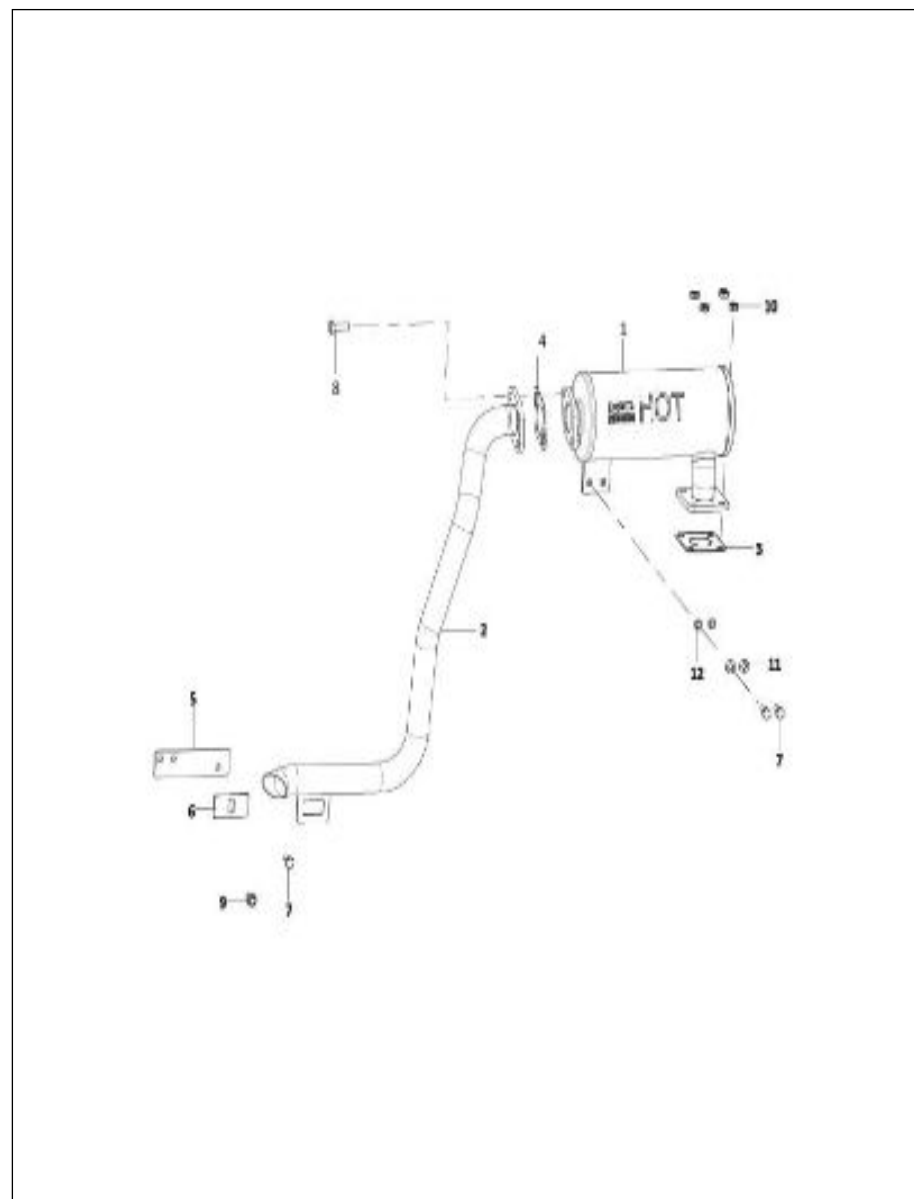


TABLE-42
EXHAUST SYSTEM SUBASSEMBLY

Fig. No.	Part No.	Description	Qty
1	D105510008D.9	MUFFLER ASSEMBLY HORIZONTAL (INSIDE)	1
2	D10551010BF.9	PIPE EXHAUST AND BRACKET ASSEMBLY	1
3	D10551070AD.9	GASKET MUFFLER INLET	1
4	D10551080AD.9	GASKET MUFFLER OUTLET	1
5	D11357180AA.9	BRACKET ASSEMBLY SUPPORT PIPE BOTTOM EXHAUST	1
6	D11502980AA.9	PLATE SUPPORT EXHAUST TAIL PIPE	1
7	D81500110.9	BOLT M8X1.25X20-8.8 HEX HEAD	3
8	D81500310.9	SCREW M8X1.25X30-8.8 HEX HEAD	2
9	D81501580.9	BOLT M8X1.25X16 HEX HEAD FLANGED	2
10	D83500060.9	NUT M8X1.25-6 HEX	4
11	D85500050.9	WASHER M8 FLAT	5
12	D86500030.9	WASHER M8 SPRING LOCK	9

TABLE-43
TUBING FUEL SYSTEM SUBASSEMBLY

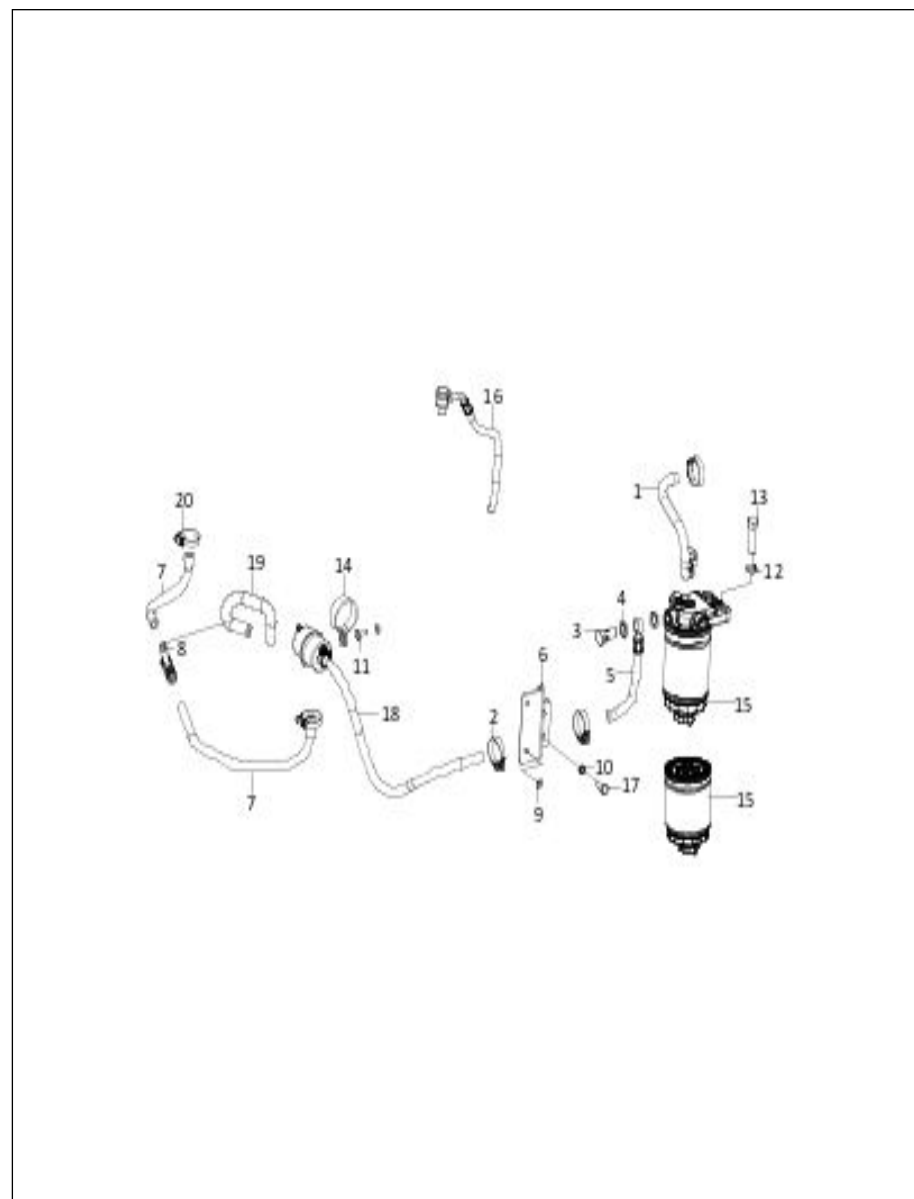


TABLE-43
TUBING FUEL SYSTEM SUBASSEMBLY

Fig. No.	Part No.	Description	Qty
1	D10564330.9	HOSE ASSEMBLY FUEL FILTER TO FUEL FEED PUMP	1
2	D10017460.9	CLAMP ASSEMBLY FUEL TUBE	8
3	D10012590.9	BOLT M14X1.5X25.5 HEX HEAD PIPE UNION	3
4	D10513210.9	WASHER BONDED SEAL 14.7X22.0X1.5	6
5	D10564340.9	HOSE ASSEMBLY FUEL PUMP TO FUEL FILTER	1
6	D10564350AF.9	BRACKET ASSEMBLY FUEL PUMP MOUNTING	1
7	D10564390.9	HOSE ASSEMBLY FUEL TANK TO FUEL STRAINER HOSE	1
8	D10564400.9	TEE CONNECTOR ASSEMBLY FUEL TANK HOSE DIA 8	1
9	D85500040.9	WASHER M6 FLAT	3
10	D86500030.9	WASHER M8 SPRING LOCK	2
11	D81500490.9	BOLT M6X1.00X20-9.8 HEX HEAD	3
12	D86500020.9	WASHER M12 SPRING LOCK	2
13	D81500540.9	BOLT M12X1.75X40-9.8 HEX HEAD	2
14	D10568760.9	CLAMP FUEL STRAINER MOUNTING	1
15	D10562120.9	FILTER ASSEMBLY FUEL SPIN TYPE (ENGINE MITSUBISHI)	1
16	D10567380.9	HOSE ASSEMBLY FUEL TANK RETURN	1
17	D81500110.9	BOLT M8X1.25X20-8.8 HEX HEAD	2
18	D11167790AA.9	STRAINER FUEL LINE ASSEMBLY	1
19	D11109940AA.9	HOSE MOLDED FOR STRAINER	1
20	D10203560.9	CLAMP GROMMET GEAR SHIFTING LEVER	3

TABLE-44
FUEL TANK SUBASSEMBLY

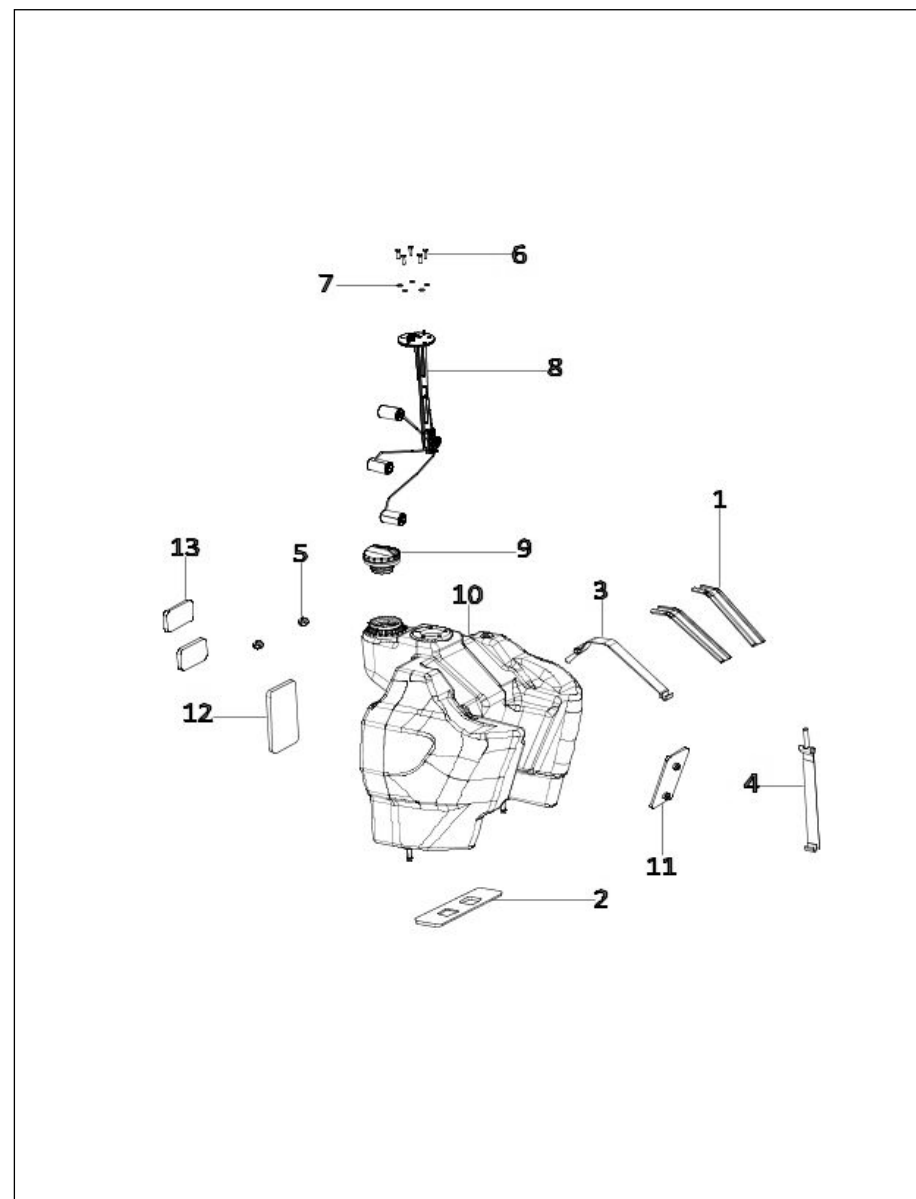


TABLE-44
FUEL TANK SUBASSEMBLY

Fig. No.	Part No.	Description	Qty
1	D10562500.9	PAD FUEL TANK STRAP	2
1-1	D11678590AA.9	PAD FUEL TANK STRAP	2
2	D10562360.9	PAD FUEL TANK LOWER	1
3	D10562510.9	STRAP ASSEMBLY FUEL TANK	1
3-1	D10562510AE.9	STRAP ASSEMBLY FUEL TANK LH	1
4	D10583340.9	FUEL TANK STRAP ASSEMBLY RH	1
4-1	D10583340AD.9	STRAP ASSEMBLY FUEL TANK RH	1
5	D83500170.9	NUT M10X1.50 NYLOCK HEX	2
6	D82501120.9	SCREW M5X0.80X16-6.6 HEX HEAD	5
7	D85500090.9	WASHER M5 FLAT	5
8	D10562570.9	FLOAT ASSEMBLY FUEL TANK	1
9	D11234310AA.9	CAP ASSEMBLY FUEL TANK	1
10	D10978830AC.9	FUEL TANK WITH INSERT (PLASTIC)	1
10-1	D10978830AF.9	FUEL TANK WITH INSERT (PLASTIC)	1
11	D10978280AA.9	PAD FUEL TANK AND STEERING COLUMN	1
12	D10978410AA.9	PAD FUEL TANK AND FIREWALL LH	1
13	D10978310AA.9	PAD FUEL TANK AND FIREWALL RH	2

TABLE-45
FRAME FUEL TANK AND BRACKET HINGE ASSEMBLY

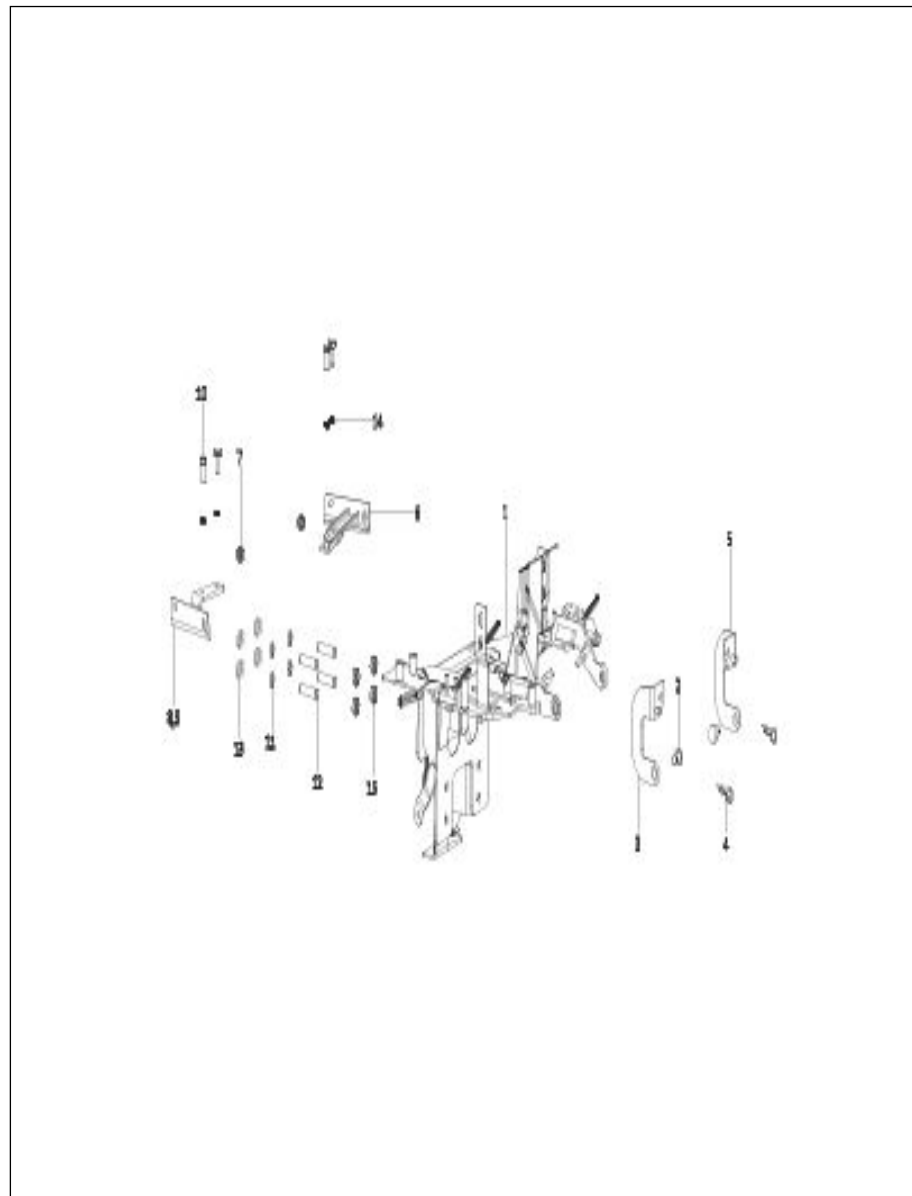


TABLE-45
FRAME FUEL TANK AND BRACKET HINGE ASSEMBLY

Fig. No.	Part No.	Description	Qty
1	D11521450AA.9	FRAME ASSEMBLY FUEL TANK	1
2	D10560960.9	PIN HINGE ASSEMBLY FRONT HOOD	2
3	D10581070.9	BRACKET LH HINGE FRONT HOOD	1
4	D10565520.9	PIN SPRING RETAINING 2X40	2
5	D10581060.9	BRACKET RH HINGE FRONT HOOD	1
6	D10566420.9	BRACKET ASSEMBLY LOWER COVER MOUNTING RH	1
7	D83500060.9	NUT M8X1.25-6 HEX	2
8	D10566450.9	BRACKET ASSEMBLY LOWER COVER MOUNTING LH	1
9	D11191290AA.9	BRACKET ASSEMBLY LOWER COVER MOUNTING LH	1
10	D81500110.9	BOLT M8X1.25X20-8.8 HEX HEAD	4
11	D86500090.9	WASHER M10 SPRING LOCK	4
12	D84500350.9	STUD M10X1.5X48-10.9	4
13	D85500140.9	WASHER M10 FLAT	4
14	D86500030.9	WASHER M8 SPRING LOCK	4
15	D83500130.9	NUT M10X1.50-10P HEX	4

TABLE-46
LINKAGE ASSEMBLY THROTTLE CONTROL (HST EPA)

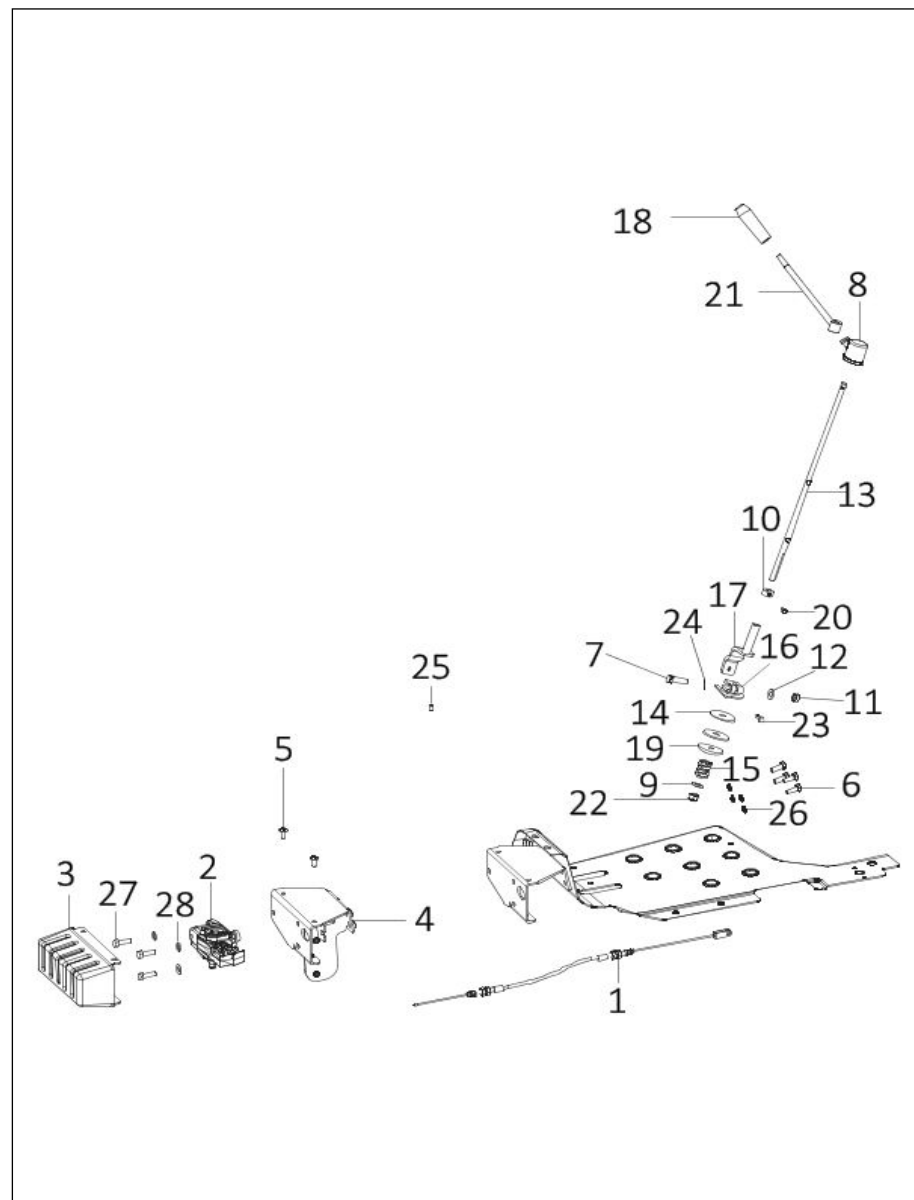


TABLE-46
LINKAGE ASSEMBLY THROTTLE CONTROL (HST EPA)

Fig. No.	Part No.	Description	Qty
1	D10598850.9	CABLE ASSEMBLY FOOT THROTTLE CONTROL	1
2	D10601230.9	ELECTRONIC THROTTLE CONTROL	1
3	D10600140.9	COVER ELECTRONIC THROTTLE CONTROL	1
4	D10771890.9	BRACKET ASSEMBLY ETC UNIT MOUNTING RUNNING BOARD RH	1
5	D82501190.9	SCREW M6X1.0X16 TRUSS HEAD CROSS SLOTTED	3
6	D81500110.9	BOLT M8X1.25X20-8.8 HEX HEAD	4
7	D81000670.9	BOLT 5/16"-24X1.25" SQUARE HEAD	1
8	D10586270.9	CAP HAND THROTTLE	1
9	D85000050.9	WASHER 3/8" FLAT	1
10	D10017970.9	STOP THROTTLE CONTROL LEVER	1
11	D83000080.9	NUT 5/16"-18 HEX	1
12	D10018690.9	WASHER 5/16" FLAT	1
13	D10600190.9	LEVER HAND THROTTLE	1
13-1	D10600190AB.9	LEVER HAND THROTTLE	1
14	D10018170.9	DISC THROTTLE CONTROL	2
15	D10016480.9	SPRING GOVERNOR MANUAL CONTROL LEVER	1
15-1	D10016480AD.9	SPRING GOVERNOR MANUAL CONTROL LEVER	1
16	D10600610.9	PLATE ASSEMBLY THROTTLE CONTROL	1
16-1	D10600610AC.9	PLATE ASSEMBLY THROTTLE CONTROL	1
17	D10600170.9	ARM ASSEMBLY HAND THROTTLE CONTROL	1
18	D10215860.9	KNOB HAND THROTTLE CONTROL LEVER	1
19	D10017960.9	PLATE THROTTLE CONTROL	1
20	D82500030.9	SCREW M5X0.80X10-6.6 HEX HEAD	1
21	D10586240.9	LEVER ASSEMBLY HAND THROTTLE CONTROL	1
22	D10016890.9	NUT 3/8"-24 HEX	1
23	D93400470.9	PIN 5.8X16 CLEVIS	1
24	D88400010.9	PIN 1.6X12.5 COTTER	1
25	D10106640.9	SCREW M6X1.00X12 GRUB	1
26	D86500030.9	WASHER M8 SPRING LOCK	4
27	D81500590.9	BOLT M8X1.25X25-6.6 HEX HEAD	3
28	D85500050.9	WASHER M8 FLAT	3

TABLE-47
AIR CLEANER SUBASSEMBLY

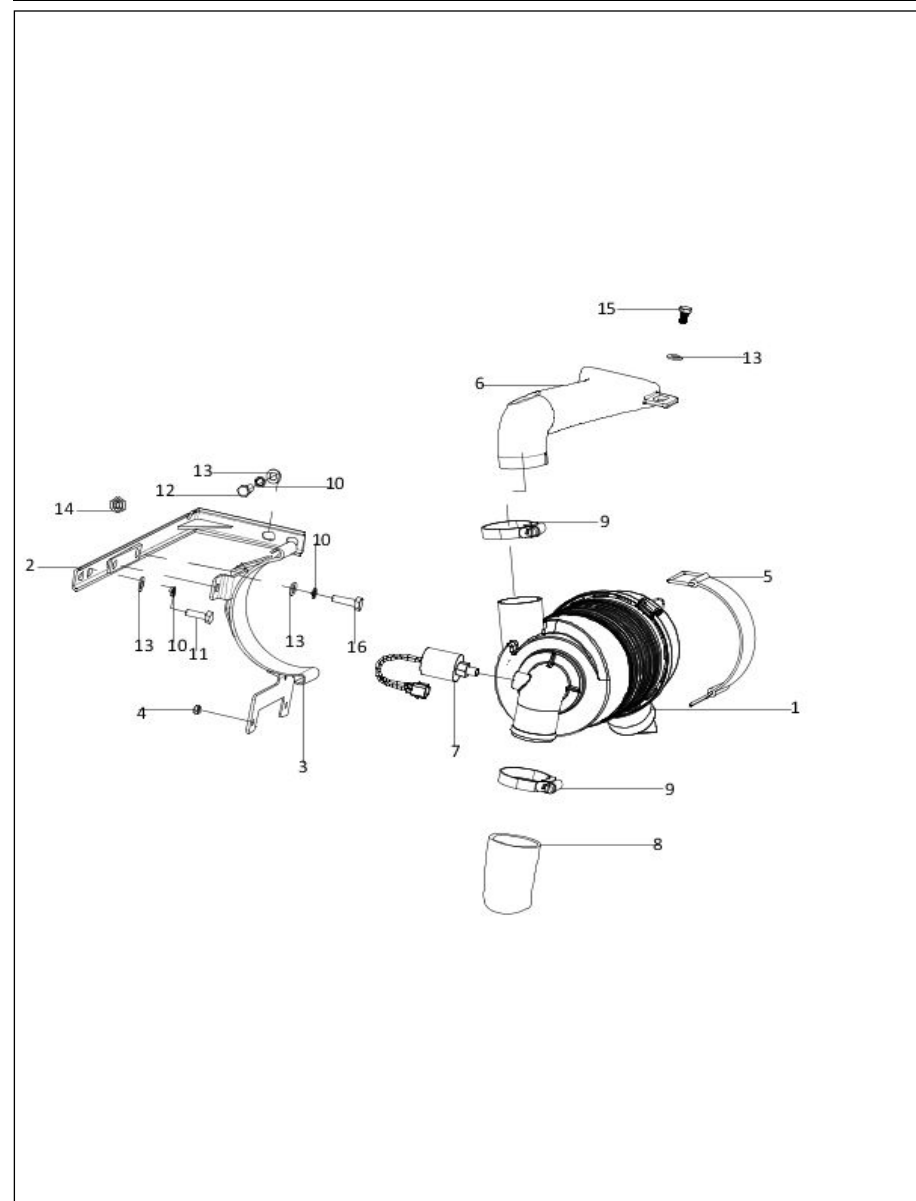


TABLE-47
AIR CLEANER SUBASSEMBLY

Fig. No.	Part No.	Description	Qty
1	D10517880AB.9	CLEANER ASSEMBLY ENGINE AIR	1
2	D10522000AC.9	BRACKET ASSEMBLY AIR CLEANER	1
3	D10602370.9	BRACKET ASSEMBLY AIR CLEANER HOLDING	1
4	D83500070.9	NUT M6X1.00-6 HEX	2
5	D10521990.9	RUBBER STRAP ASSEMBLY AIR CLEANER HOLDING	1
6	D10522380.9	PIPE AIR CLEANER INTAKE	1
7	D10532900.9	INDICATOR RESTRICTION AIR CLEANER	1
8	D10521950.9	HOSE AIR CLEANER TO INTAKE MANIFOLD	1
9	D10017170.9	CLAMP ASSEMBLY 70MM DIAMETER	3
10	D86500030.9	WASHER M8 SPRING LOCK	6
11	D81500590.9	BOLT M8X1.25X25-6.6 HEX HEAD	2
12	D81500110.9	BOLT M8X1.25X20-8.8 HEX HEAD	2
13	D85500050.9	WASHER M8 FLAT	9
14	D83500060.9	NUT M8X1.25-6 HEX	2
15	D82500070.9	SCREW M8X1.25X15-6.8 HEX HEAD	1
16	D81500310.9	SCREW M8X1.25X30-8.8 HEX HEAD	2

TABLE-48
COOLING SYSTEM SUBASSEMBLY

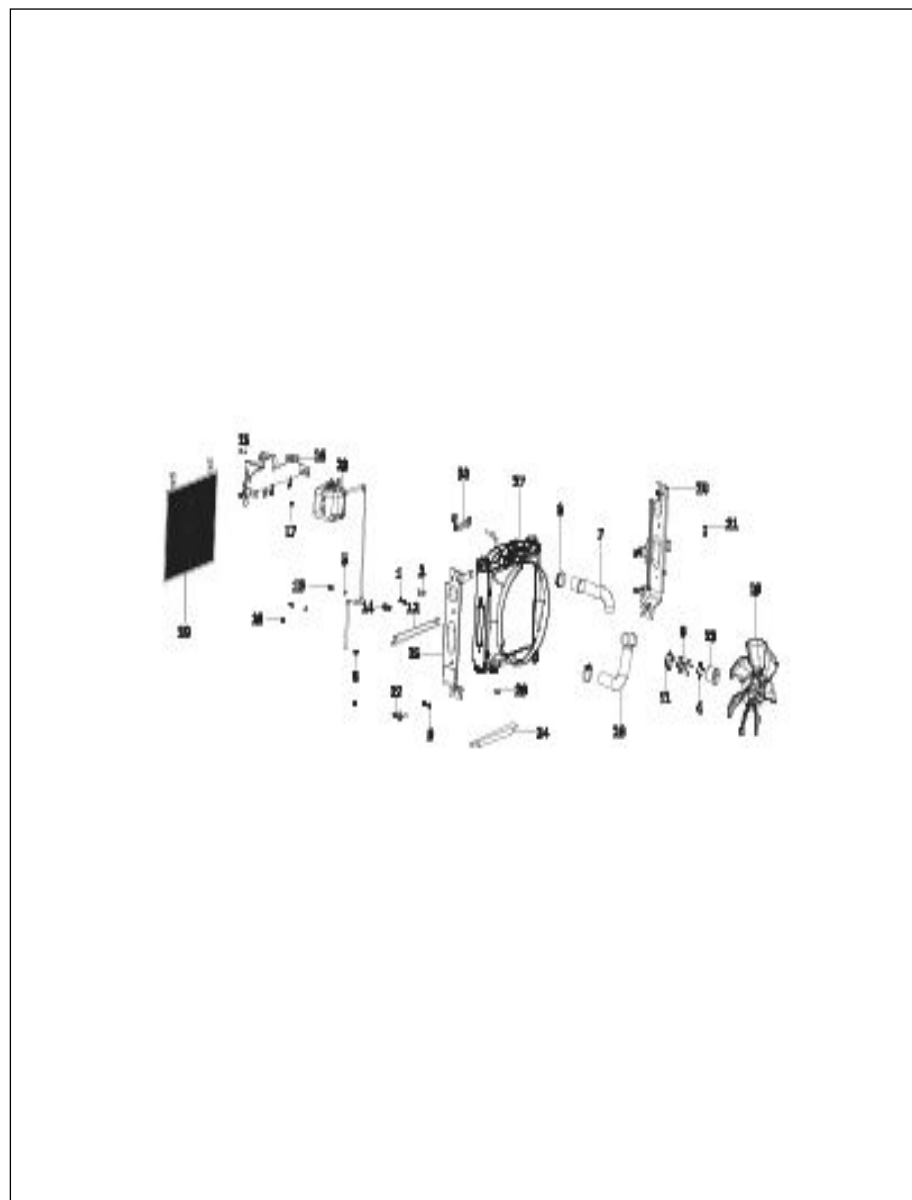


TABLE-48
COOLING SYSTEM SUBASSEMBLY

Fig. No.	Part No.	Description	Qty
1	D86500030.9	WASHER M8 SPRING LOCK	11
2	D85500050.9	WASHER M8 FLAT	11
3	D10329500.9	CLAMP HOSE WORM DRIVE 55MM	4
4	D86500040.9	WASHER M6 SPRING LOCK	4
5	D85500040.9	WASHER M6 FLAT	2
6	D82500070.9	SCREW M8X1.25X15-6.8 HEX HEAD	4
7	D10547480.9	HOSE RADIATOR TOP	1
8	D81503520.9	BOLT M6X1.0X50-10.9 HEX HEAD	4
9	D86500050.9	WASHER M10 SPRING LOCK	4
10	D10547430.9	MESH ASSEMBLY RADIATOR FRONT	1
10-1	D11498470AA.9	MESH ASSEMBLY RADIATOR FRONT	1
11	D10672200.9	WASHER FAN BOLT LOCK PLATE	2
12	D10555800.9	PLATE BAFFLE RADIATOR FRAME	1
13	D82500050.9	SCREW M6X1.00X12-6.8 HEX HEAD	2
14	D81500110.9	BOLT M8X1.25X20-8.8 HEX HEAD	4
15	D81500590.9	BOLT M8X1.25X25-6.6 HEX HEAD	3
16	D10600490.9	FRAME ASSEMBLY RADIATOR	1
17	D83500060.9	NUT M8X1.25-6 HEX	15
18	D83500220.9	NUT M6X1.00-5 HEX	2
19	D10521940.9	FAN ASSEMBLY WATER COOLING	1
20	D10587750.9	FRAME ASSEMBLY RADIATOR SIDE RH	1
21	D83500070.9	NUT M6X1.00-6 HEX	4
22	D82500160.9	SCREW M10X1.50X45-8.8P HEX HEAD	4
23	D10557900.9	SPACER FAN WATER COOLING	1
24	D10559580.9	FOAM SEALING RADIATOR BOTTOM	1
25	D10587760.9	FRAME ASSEMBLY RADIATOR SIDE LH	1
26	D10547490.9	HOSE RADIATOR BOTTOM	1
27	D10558670AE.9	RADIATOR AND SHROUD ASSEMBLY	1
27-1	D11498310AA.9	RADIATOR AND SHROUD ASSEMBLY	1
28	D10801990AB.9	BOTTLE RADIATOR ASSEMBLY RECOVERY	1
29	D10203560.9	CLAMP GROMMET GEAR SHIFTING LEVER	1
30	D10668970.9	BEADING RADIATOR FRAME TOP	1

TABLE-49
COOLER OIL SUBASSEMBLY (HST)

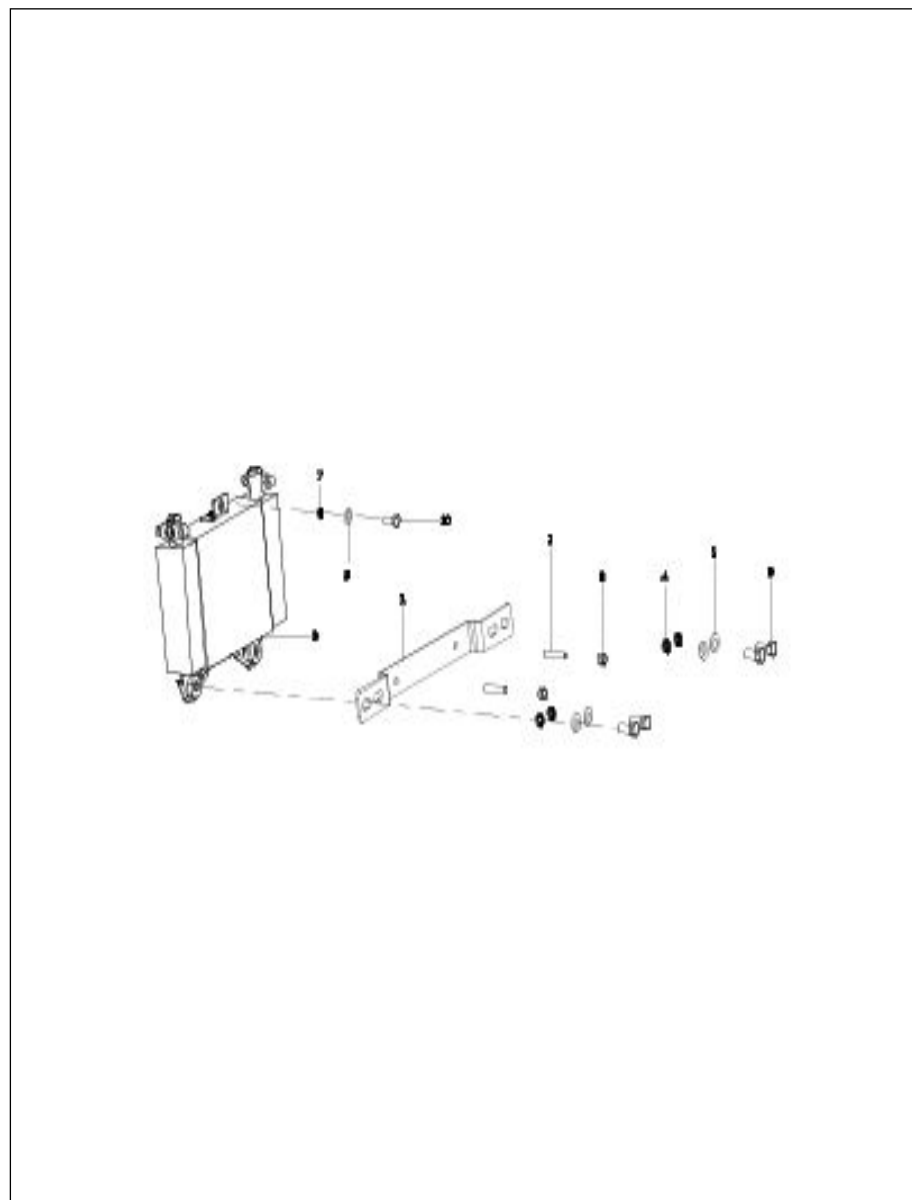


TABLE-49
COOLER OIL SUBASSEMBLY (HST)

Fig. No.	Part No.	Description	Qty
1	D10600480.9	BRACKET SUPPORT OIL COOLER ASSEMBLY	1
2	D84500230.9	STUD B M6X1X33-8.8	2
3	D10713560.9	COOLER OIL ASSEMBLY	1
4	D86500030.9	WASHER M8 SPRING LOCK	4
5	D85500050.9	WASHER M8 FLAT	4
6	D83500220.9	NUT M6X1.00-5 HEX	2
7	D86500040.9	WASHER M6 SPRING LOCK	1
8	D81500110.9	BOLT M8X1.25X20-8.8 HEX HEAD	4
9	D85500040.9	WASHER M6 FLAT	1
10	D81500360.9	BOLT M6X1.00X16-9.8 HEX HEAD	1

100

TABLE-50
AXLE FRONT WITH CYLINDER AND LINK ASSEMBLY

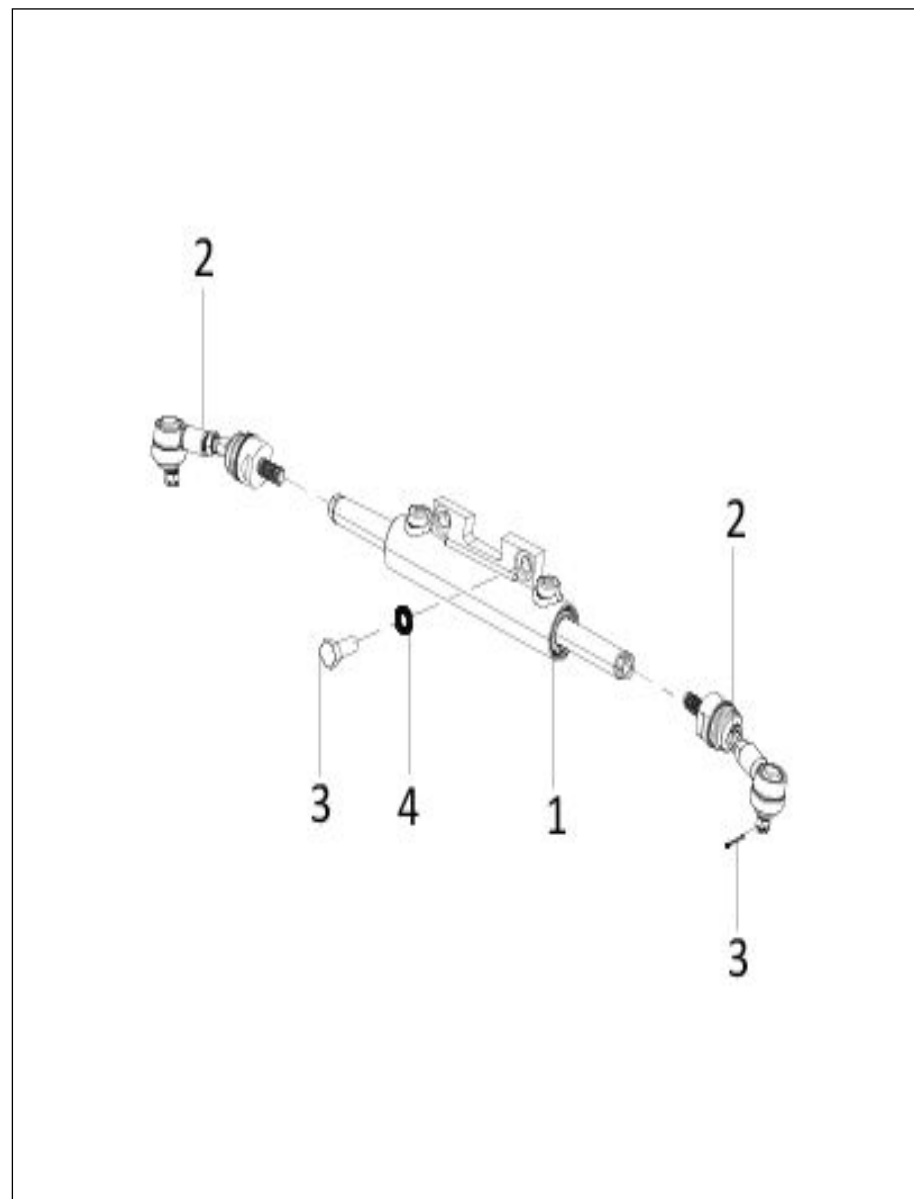


TABLE-50
AXLE FRONT WITH CYLINDER AND LINK ASSEMBLY

Fig. No.	Part No.	Description	Qty
1	D10537740AC.9	CYLINDER ASSEMBLY POWER STEERING	1
1A	D10615010.9	KIT SEAL STEERING CYLINDER (M/S OGNIBENE POWER PART NO 800230090)	1
2	D10537730.9	LINK ASSEMBLY POWER STEERING	2
3	D88400040.9	PIN 3.2X25.0 COTTER	2
4	D81500740.9	BOLT M14X2.00X35-10.9 HEX HEAD LOCK	2
5	D85500520.9	WASHER M14 LOCK (NORD TYPE)	2

TABLE-51
AXLE FRONT SUBASSEMBLY

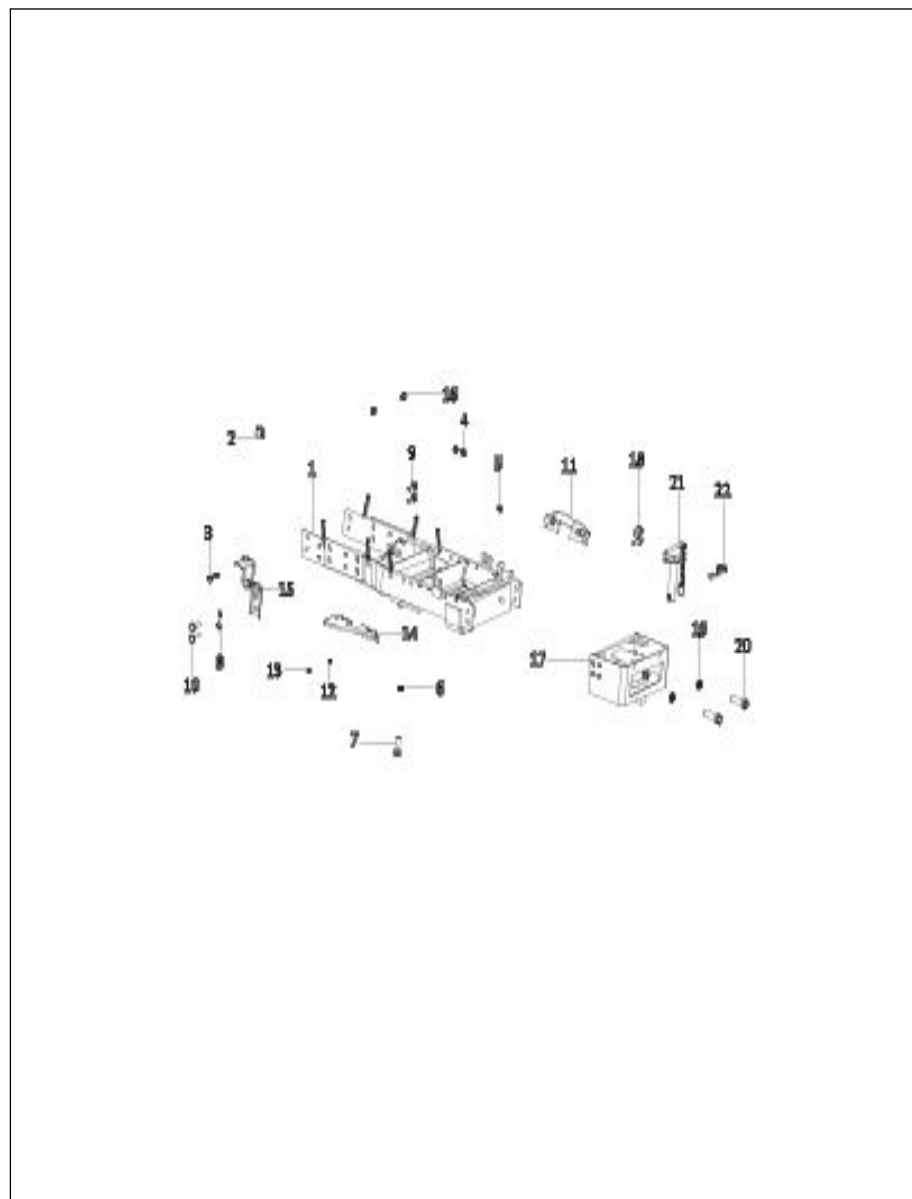


TABLE-51
AXLE FRONT SUBASSEMBLY

Fig. No.	Part No.	Description	Qty
1	D10537650.9	SUPPORT ASSEMBLY FRONT AXLE	1
2	D83500050.9	NUT M16X2.00-6 HEX	1
3	D83500250.9	NUT M12X1.75-10 HEX	6
4	D83500090.9	NUT M10X1.50-8 HEX	1
5	D83500060.9	NUT M8X1.25-6 HEX	2
6	D85500520.9	WASHER M14 LOCK (NORD TYPE)	4
7	D81501630.9	BOLT M14X2.00X40-10.9 HEX HEAD	4
8	D86500020.9	WASHER M12 SPRING LOCK	18
9	D81503200.9	BOLT M12X1.25X30-10.9 HEX HEAD	4
10	D10009920.9	BOLT M12X1.25X36-10.9P HEX HEAD	8
11	D10557740AD.9	PLATE BONNET MOUNTING LH SUPPORT FRONT AXLE	1
12	D86500040.9	WASHER M6 SPRING LOCK	4
13	D82500050.9	SCREW M6X1.00X12-6.8 HEX HEAD	4
14	D10610780AC.9	PLATE BONNET MOUNTING RH SUPPORT FRONT AXLE	1
15	D10565990.9	BRACKET ASSEMBLY FUEL FILTER MOUNTING	1
16	D83501120.9	NUT M12X1.25-10.9 HEX HEAD	2
17	D10891080AC.9	SUPPORT FRONT HANGER WEIGHT ASSEMBLY	1
17-1	D10891080AE.9	SUPPORT FRONT HANGER WEIGHT ASSEMBLY	1
18	D81501910.9	BOLT M12X1.75X30-10.9 HEX HEAD	4
19	D86500060.9	WASHER M16 SPRING LOCK	2
20	D10042620.9	SCREW M16X2.00X58 HEX HEAD SELF LOCKING	2
21	D10546550AB.9	PIN ASSEMBLY TOW HOOK FRONT	1
22	D87500470.9	PIN 5X105 SPRING R TYPE (IS:6483)	1

TABLE-52
COVER ASSEMBLY GUARD STEERING CYLINDER

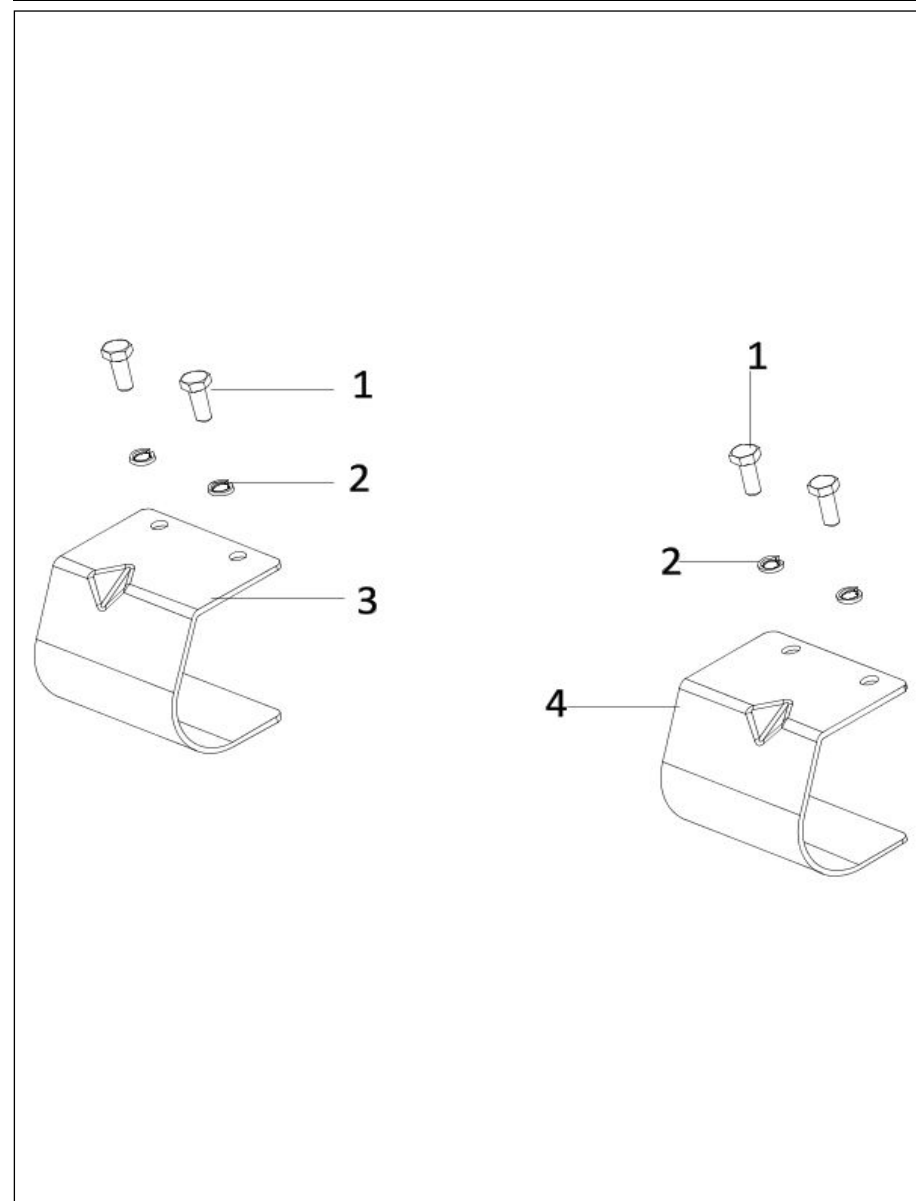


TABLE-52
COVER ASSEMBLY GUARD STEERING CYLINDER

Fig. No.	Part No.	Description	Qty
1	D81500110.9	BOLT M8X1.25X20-8.8 HEX HEAD	4
2	D86500030.9	WASHER M8 SPRING LOCK	4
3	D10537750.9	GUARD STEERING CYLINDER RH	1
4	D10537760.9	GUARD STEERING CYLINDER LH	1

TABLE-53
WHEEL STEERING AND UNIT STEERING SUBASSEMBLY

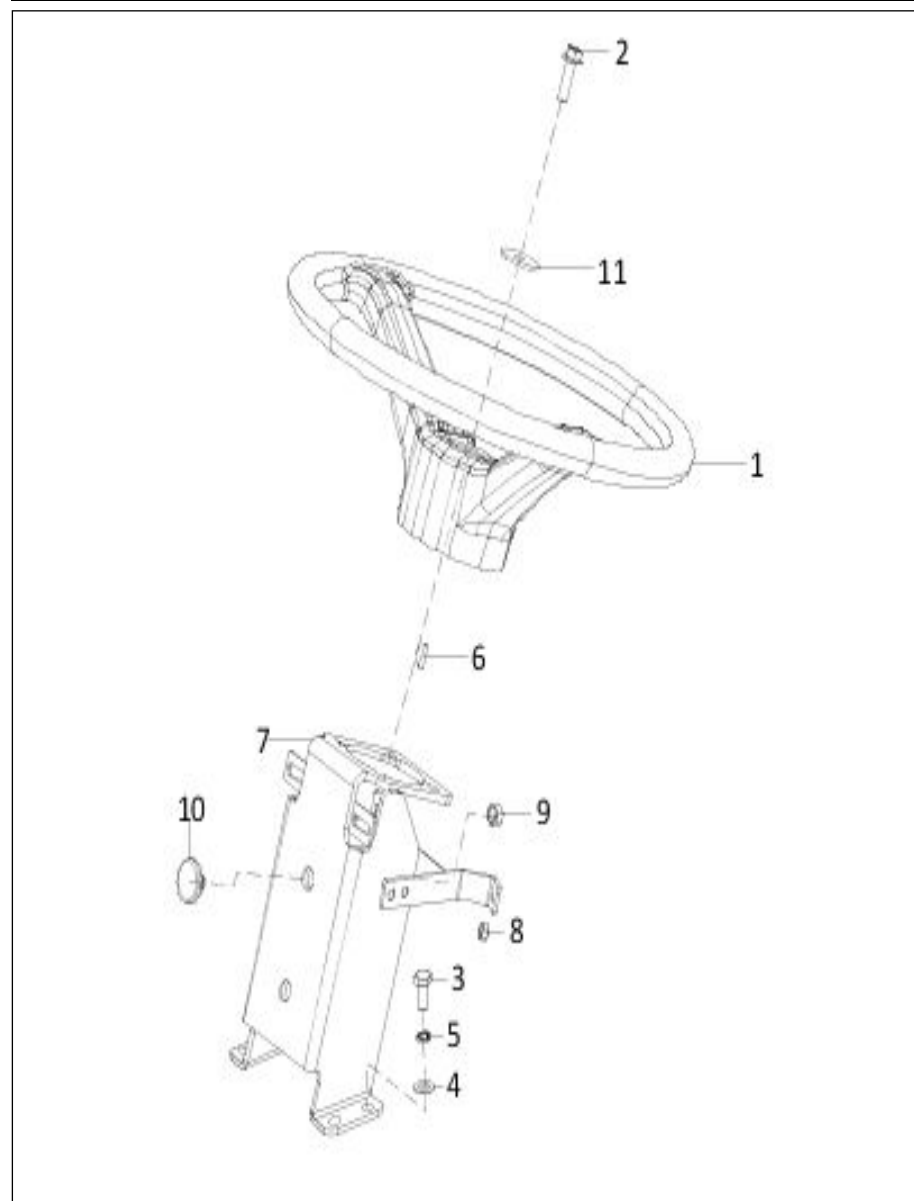


TABLE-53
WHEEL STEERING AND UNIT STEERING SUBASSEMBLY

Fig. No.	Part No.	Description	Qty
1	D10569180.9	WHEEL ASSEMBLY STEERING	1
2	D81502240.9	BOLT M8X1.25X30-10.9 HEX HEAD FLANGED	1
2-1	D81502240AC.9	BOLT M8X1.25X30-10.9 HEX HEAD FLANGED	1
3	D81500110.9	BOLT M8X1.25X20-8.8 HEX HEAD	4
4	D85500050.9	WASHER M8 FLAT	5
5	D86500030.9	WASHER M8 SPRING LOCK	4
6	D91000280.9	KEY 5.0X6.5 WOODRUFF	1
7	D10564510.9	BRACKET ASSEMBLY STEERING COLUMN MOUNTING	1
8	D83500220.9	NUT M6X1.00-5 HEX	2
9	D10053080.9	NUT M8X1.25-6 HEX	1
10	D10562340.9	GROMMET FUEL TANK	2
11	D85500700.9	WASHER M8 FLAT DIA 35	1

TABLE-54
TUBING POWER STEERING SUBASSEMBLY

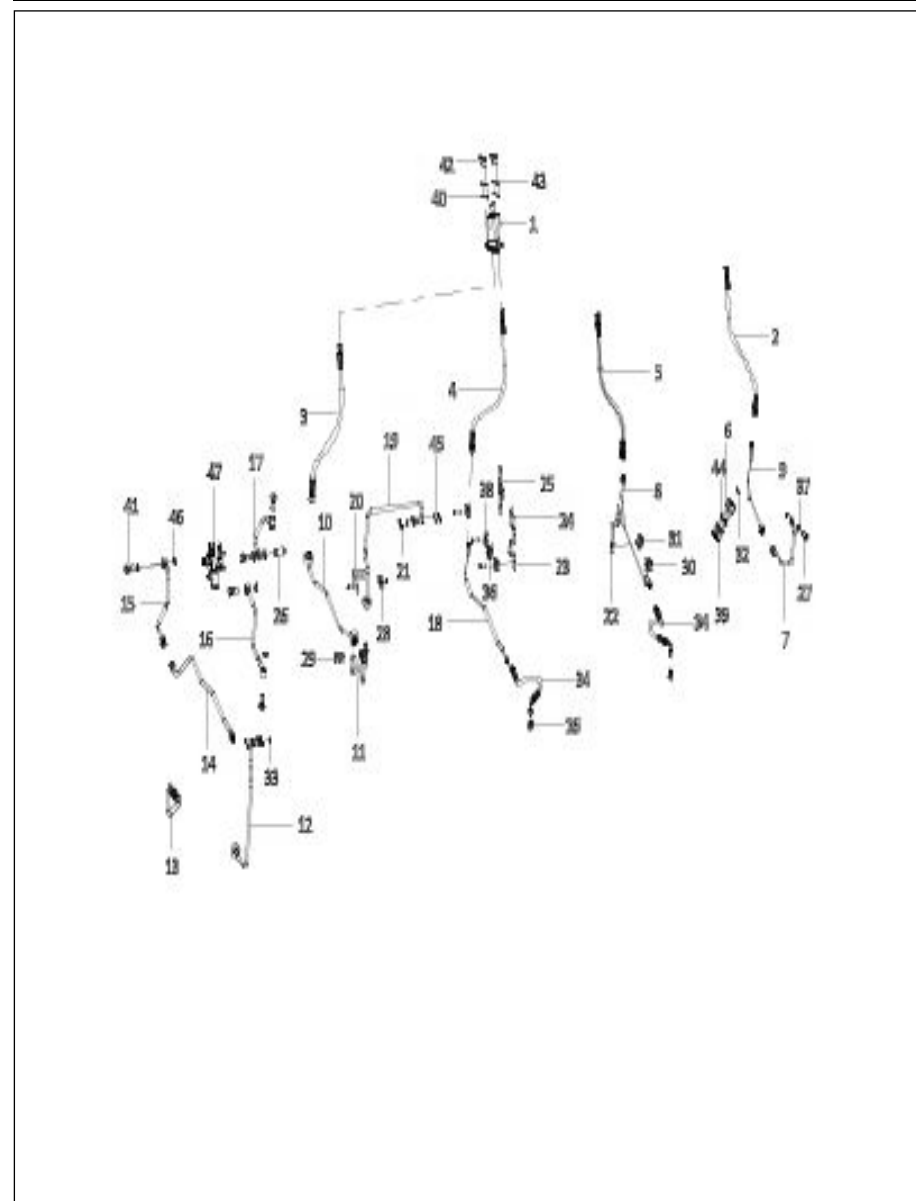


TABLE-54
TUBING POWER STEERING SUBASSEMBLY

Fig. No.	Part No.	Description	Qty
1	D10524330.9	MOTOR ASSEMBLY POWER STEERING	1
2	D10556280.9	HOSE ASSEMBLY POWER STEERING PRESSURE TO MOTOR	1
3	D10556210.9	HOSE ASSEMBLY POWER STEERING RETURN	1
4	D10556290.9	HOSE ASSEMBLY POWER STEERING MOTOR TO CONNECTOR RH	1
5	D10556300.9	HOSE ASSEMBLY POWER STEERING MOTOR TO CONNECTOR LH	1
6	D10617730.9	FLANGE POWER STEERING PRESSURE	1
7	D10556250.9	TUBE ASSEMBLY POWER STEERING PRESSURE	1
8	D10606750.9	TUBE ASSEMBLY POWER STEERING CONNECTOR LH	1
9	D10617700.9	TUBE ASSEMBLY POWER STEERING PRESSURE	1
10	D10606650.9	TUBE ASSEMBLY STEERING RETURN TO OIL COOLER INLET CONNECTOR	1
11	D10606630.9	TUBE ASSEMBLY OIL COOLER INLET CONNECTOR	1
11-1	D10606630BA.9	TUBE ASSEMBLY OIL COOLER INLET CONNECTOR	1
12	D10587720.9	TUBE ASSEMBLY OIL COOLER OUTLET	1
13	D10606610.9	TUBE ASSEMBLY OIL COOLER OUTLET CONNECTOR	1
14	D10606670.9	TUBE ASSEMBLY OIL COOLER OUTLET CONNECTOR TO SOLENOID VALVE	1
15	D10606710.9	TUBE ASSEMBLY SOLENOID VALVE INLET	1
16	D10606730.9	TUBE ASSEMBLY SOLENOID VALVE TO HST INLET	1
17	D10607280.9	TUBE ASSEMBLY HST RETURN	1
18	D10606770.9	TUBE ASSEMBLY POWER STEERING CONNECTOR RH	1
19	D10587690.9	TUBE ASSEMBLY OIL COOLER INLET	1
19-1	D10587690BA.9	TUBE ASSEMBLY OIL COOLER INLET	1
20	D10606590.9	BRACKET ASSEMBLY OIL COOLER TUBE HOLDING	1
21	D83500070.9	NUT M6X1.00-6 HEX	8
22	D10558120.9	BRACKET ASSEMBLY STEERING PRESSURE TUBE HOLDING LH	1
23	D10607690.9	BRACKET ASSEMBLY STEERING TUBE HOLDING FRONT	1
24	D10607710.9	BRACKET ASSEMBLY STEERING TUBE HOLDING REAR	1
25	D10607760.9	BRACKET ASSEMBLY POWER STEERING TUBE HOLDING	1
25-1	D10607760BB.9	BRACKET ASSEMBLY POWER STEERING TUBE HOLDING	1
26	D10607300.9	CONNECTOR M18X1.5 AND 1/4"-BSP (STUD END)	1
27	D10539480.9	BOLT BANJO M12X1.5	1
28	D10587620.9	CLAMP ASSEMBLY HYDRAULIC PRESSURE	1
29	D10402170.9	CLAMP ASSEMBLY TUBING HYDRAULIC PRESSURE 1	1
30	D10408760.9	CLAMP ASSEMBLY TUBING HYDRAULIC PRESSURE	1
31	D10558140.9	CLAMP ASSEMBLY POWER STEERING	1
32	D93601170.9	SEAL O RING 2.0X19	1
33	D93601350.9	SEAL O RING 1.6X10.5	2
34	D10556190.9	HOSE ASSEMBLY STEERING CYLINDER RH	2
34-1	D10556190AC.9	HOSE ASSEMBLY STEERING CYLINDER	2
35	D10556240.9	CONNECTOR 9/16-18 AND M14X1.5 STUD END	2
36	D10296350.9	CLAMP ASSEMBLY TUBING HYDRAULIC PRESSURE	2

TABLE-54
TUBING POWER STEERING SUBASSEMBLY

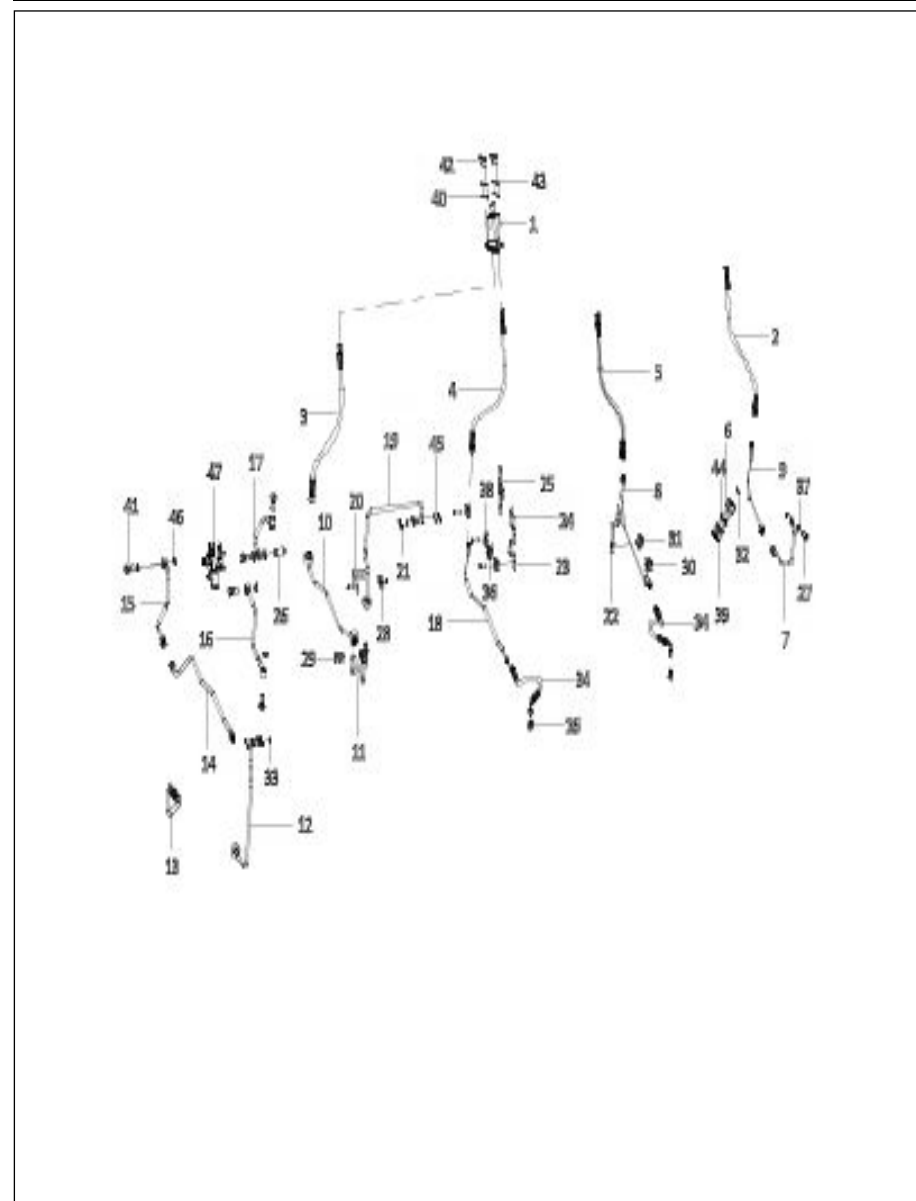


TABLE-54
TUBING POWER STEERING SUBASSEMBLY

Fig. No.	Part No.	Description	Qty
37	D10519740.9	WASHER BONDED SEAL 12.7X19X1.5	2
38	D10607330.9	CLAMP ASSEMBLY TUBING HYDRAULIC PRESSURE	3
39	D81500340.9	BOLT M6X1.00X35-8.0 HEX HEAD	4
40	D85500050.9	WASHER M8 FLAT	5
41	D10174960AD.9	BOLT BANJO M18X1.50	5
42	D81500110.9	BOLT M8X1.25X20-8.8 HEX HEAD	6
43	D86500030.9	WASHER M8 SPRING LOCK	6
44	D86500040.9	WASHER M6 SPRING LOCK	8
45	D10466130.9	BOLT M6X30-5.8 HEX HEAD (FTES SRUBA M6X30-5.8)	9
46	D10174950AD.9	SEAL BANJO BOLT DISTRIBUTOR TO CYLINDER TUBE	10
47	D10578080.9	VALVE ASSEMBLY WET CLUTCH ACTUATION	1

TABLE-55
WHEEL AND TYRE ASSEMBLY FRONT 23x8.50-12 (M/s BKT - INDUSTRIAL)

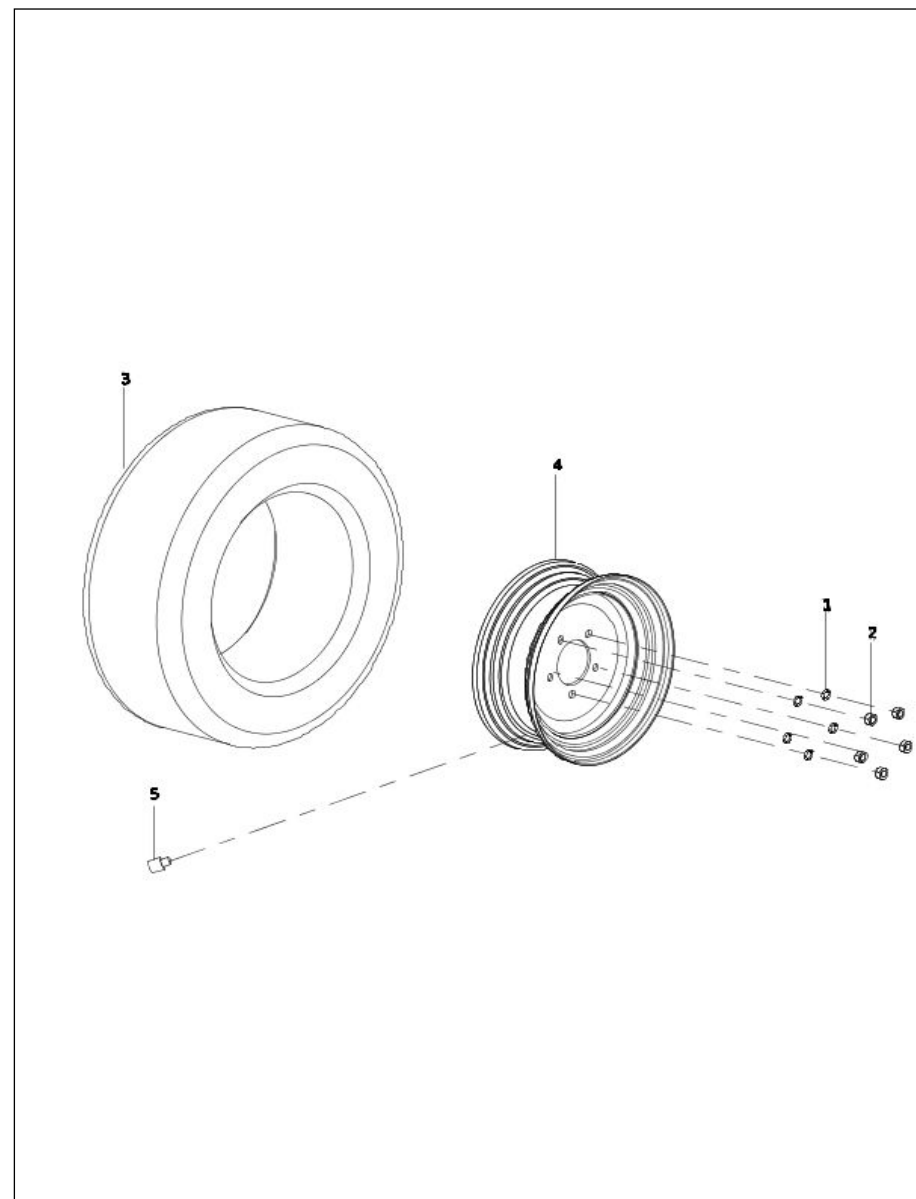


TABLE-55**WHEEL AND TYRE ASSEMBLY FRONT 23x8.50-12 (M/s BKT - INDUSTRIAL)**

Fig. No.	Part No.	Description	Qty
1	D86500020.9	WASHER M12 SPRING LOCK	10
2	D83501030.9	NUT M12X1.5-10.9 HEX HEAD	10
3	D10517750.9	TYRE ASSEMBLY FRONT WHEEL 23X8.50-12 SPHD 12PR TL	2
4	D10538490.9	RIM ASSEMBLY FRONT WHEEL 7.00IX12 (ANTIQUE SILVER)	2
5	D10538650.9	VALVE TYRE FRONT WHEEL 23X8.50-12 (TR412,TR413)	2

TABLE-56
HOUSING ASSEMBLY SWIVEL FRONT AXLE RH WITH HARDWARE SUBASSEMBLY (4WD COMPACT)

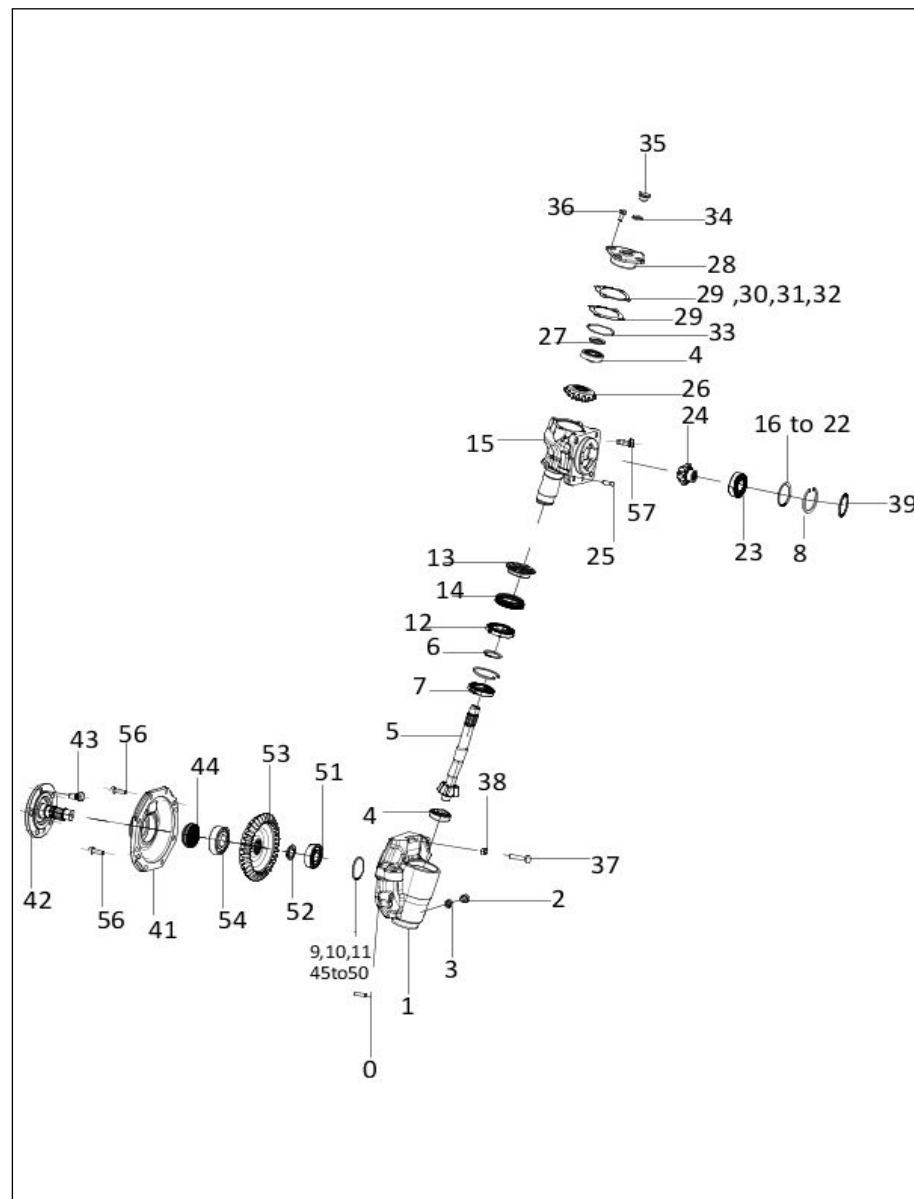


TABLE-56
HOUSING ASSEMBLY SWIVEL FRONT AXLE RH WITH HARDWARE SUBASSEMBLY (4WD COMPACT)

Fig. No.	Part No.	Description	Qty
1	D10528120.9	HOUSING SWIVEL FRONT AXLE RH	1
2	D82501210.9	SCREW M12X1.75X12-8.8 HEX HEAD	1
3	D10161480.9	WASHER 12.0X22.0 SCREW RAIL	1
4	D10533270.9	BEARING TAPER ROLLER 30304	2
5	D10528100.9	SHAFT DRIVER BEVEL GEAR Z-9	1
6	D90000660.9	CIRCLIP A40X2.5 H	1
7	D10538670.9	BEARING BALL 6908	1
8	D90500410.9	CIRCLIP B62X2.0 N (IS 3075 PART-II)	2
9	D10542380.9	SHIM 60X50 (0.075 MM)	1
10	D10542390.9	SHIM 60X50 (0.2285 MM)	1
11	D10542400.9	SHIM 60.X50 (0.4065 MM)	1
12	D10538680.9	BEARING BALL 6909	1
13	D10550290.9	SLEEVE OIL SEAL SWIVEL HOUSING	1
14	D10550300.9	SEAL OIL SWIVEL HOUSING 52X70X10	1
15	D10528130AD.9	HOUSING KNUCKLE FRONT AXLE	1
15-1	D10528130AE.9	HOUSING KNUCKLE FRONT AXLE	1
16	D10542310.9	SHIM 61.8X51 (0.2285 MM)	1
17	D10542320.9	SHIM 61.8X51 (0.4065 MM)	1
18	D10542330.9	SHIM 61.8X51 (0.5335 MM)	1
19	D10542340.9	SHIM 61.8X51 (0.7875 MM)	1
20	D10542350.9	SHIM 61.8X51 (1 MM)	1
21	D10542360.9	SHIM 61.8X51 (1.2 MM)	1
22	D10542370.9	SHIM 61.8X51 (1.5 MM)	1
23	D10170200.9	BEARING BALL 6206	1
24	D11015950AA.9	GEAR DRIVER BEVEL KNUCKLE Z-10	1
25	D10159950.9	DOWEL POSITIONING 10X25	3
26	D11015940AA.9	GEAR DRIVEN BEVEL KNUCKLE Z-16	1
27	D85500450.9	WASHER 36.0X20.0X3.0	1
28	D10542450.9	COVER KNUCKLE HOUSING	1
29	D10544670.9	SHIM COVER KNUCKLE (0.075 MM)	1
30	D10544680.9	SHIM COVER KNUCKLE (0.125 MM)	1
31	D10544690.9	SHIM COVER KNUCKLE (0.2285 MM)	1
32	D10544700.9	SHIM COVER KNUCKLE (0.4065 MM)	1
33	D93601100.9	SEAL O RING 2.62X62.00	1
34	D10005880.9	WASHER M18 FLAT COPPER	1
35	D10006500.9	PLUG M18X1.5X12-6.8 HEX HEAD	1
36	D81500110.9	BOLT M8X1.25X20-8.8 HEX HEAD	4
37	D81503330.9	BOLT M10X1.50X45-8.8 HEX HEAD WITH ROUNDED TOP	1
38	D83500090.9	NUT M10X1.50-8 HEX	1
39	D10547400.9	SEAL O RING 3.53X95.0	1

TABLE-56
HOUSING ASSEMBLY SWIVEL FRONT AXLE RH WITH HARDWARE SUBASSEMBLY (4WD COMPACT)

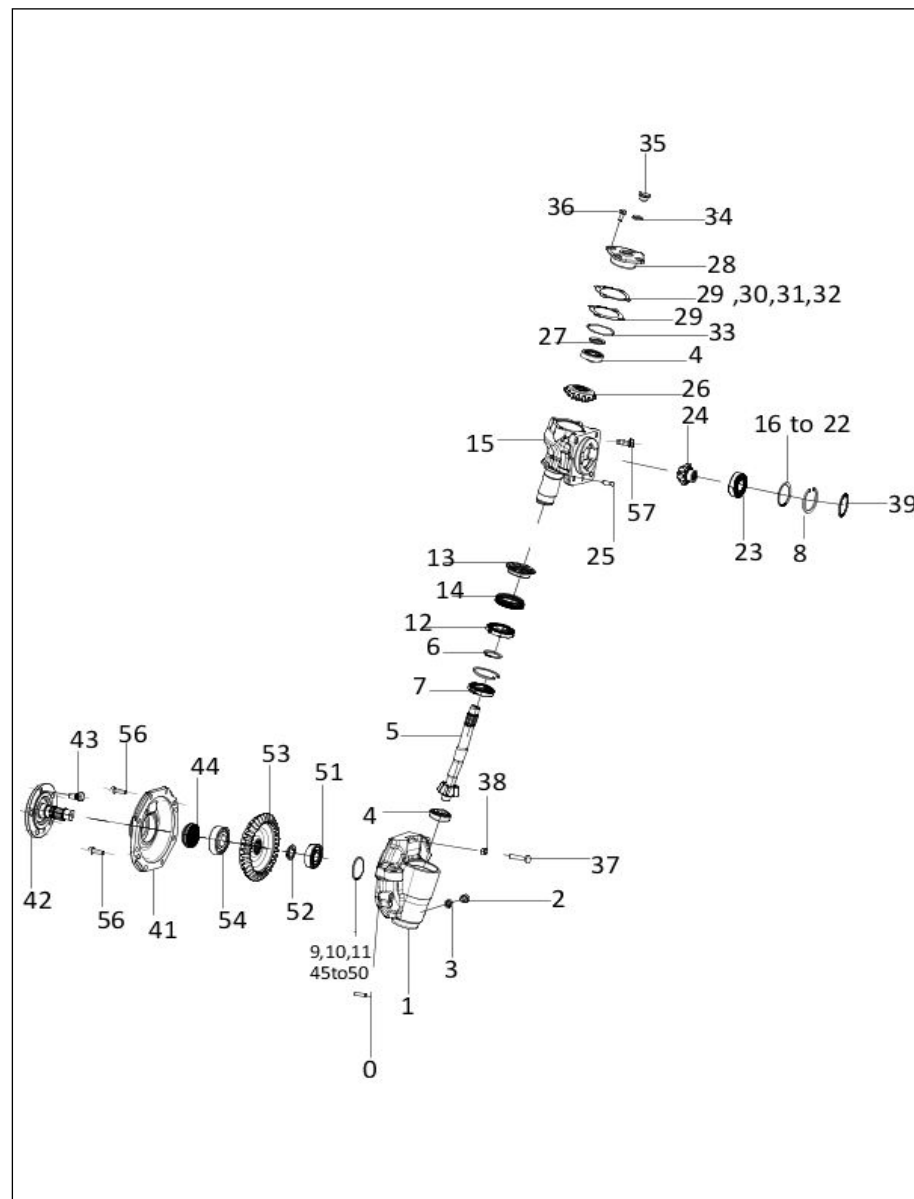


TABLE-56
HOUSING ASSEMBLY SWIVEL FRONT AXLE RH WITH HARDWARE SUBASSEMBLY (4WD COMPACT)

Fig. No.	Part No.	Description	Qty
40	D95000410.9	LOCTITE 574	AR
41	D10528080.9	HOUSING WHEEL FRONT AXLE	1
42	D10528070.9	SHAFT FRONT AXLE WHEEL	1
43	D10541620.9	BOLT M12X1.5 FRONT WHEEL HUB	5
44	D10452820AD.9	SEAL OIL 35X60X14.5 PTO OUTPUT SHAFT	1
45	D10537800.9	SHIM REAR AXLE SHAFT (0.075 MM)	1
46	D10537810.9	SHIM REAR AXLE SHAFT (0.125 MM)	1
47	D10537820.9	SHIM REAR AXLE SHAFT (0.2285 MM)	1
48	D10537830.9	SHIM REAR AXLE SHAFT (0.4065 MM)	1
49	D10537840.9	SHIM REAR AXLE SHAFT (0.5335 MM)	1
50	D10537850.9	SHIM REAR AXLE SHAFT (0.7875 MM)	1
51	D10533260.9	BEARING BALL 6306	1
52	D10542420.9	WASHER SPLIT WHEEL END	2
53	D10528090.9	GEAR DRIVEN BEVEL WHEEL Z-37	1
54	D10170170.9	BEARING BALL 6305	1
55	D95000410.9	LOCTITE 574	2
56	D81502320.9	BOLT M10X1.50X30-10.9 HEX HEAD	8
57	D82500610.9	SCREW M12X1.75X30-10.9	4

TABLE-57
HOUSING ASSEMBLY SWIVEL FRONT AXLE LH WITH HARDWARE SUBASSEMBLY (4WD COMPACT)

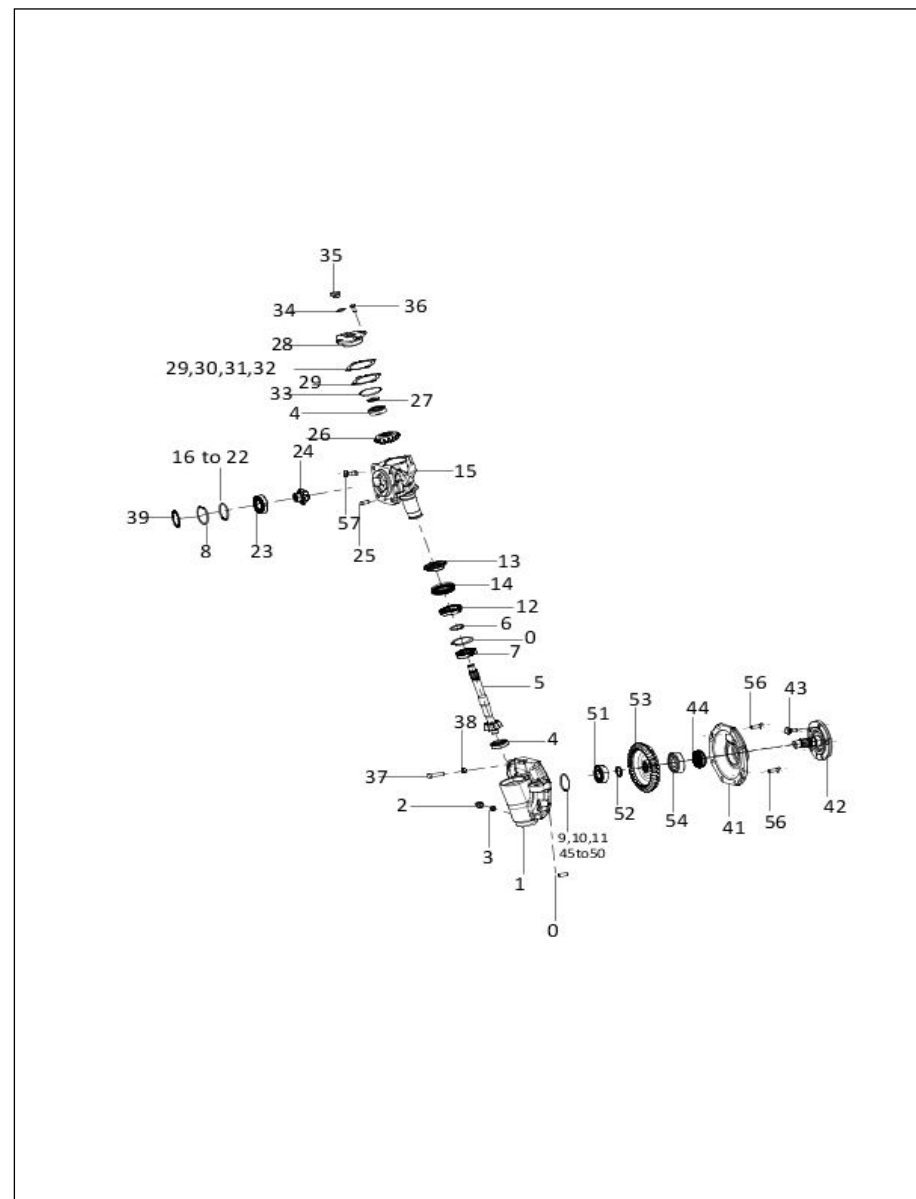


TABLE-57
HOUSING ASSEMBLY SWIVEL FRONT AXLE LH WITH HARDWARE SUBASSEMBLY (4WD COMPACT)

Fig. No.	Part No.	Description	Qty
1	D10528110.9	HOUSING SWIVEL FRONT AXLE LH	1
2	D82501210.9	SCREW M12X1.75X12-8.8 HEX HEAD	1
3	D10161480.9	WASHER 12.0X22.0 SCREW RAIL	1
4	D10533270.9	BEARING TAPER ROLLER 30304	2
5	D10528100.9	SHAFT DRIVER BEVEL GEAR Z-9	1
6	D90000660.9	CIRCLIP A40X2.5 H	1
7	D10538670.9	BEARING BALL 6908	1
8	D90500410.9	CIRCLIP B62X2.0 N (IS 3075 PART-II)	2
9	D10542380.9	SHIM 60X50 (0.075 MM)	1
10	D10542390.9	SHIM 60X50 (0.2285 MM)	1
11	D10542400.9	SHIM 60.X50 (0.4065 MM)	1
12	D10538680.9	BEARING BALL 6909	1
13	D10550290.9	SLEEVE OIL SEAL SWIVEL HOUSING	1
14	D10550300.9	SEAL OIL SWIVEL HOUSING 52X70X10	1
15	D10528130AD.9	HOUSING KNUCKLE FRONT AXLE	1
16	D10542310.9	SHIM 61.8X51 (0.2285 MM)	1
17	D10542320.9	SHIM 61.8X51 (0.4065 MM)	1
18	D10542330.9	SHIM 61.8X51 (0.5335 MM)	1
19	D10542340.9	SHIM 61.8X51 (0.7875 MM)	1
20	D10542350.9	SHIM 61.8X51 (1 MM)	1
21	D10542360.9	SHIM 61.8X51 (1.2 MM)	1
22	D10542370.9	SHIM 61.8X51 (1.5 MM)	1
23	D10170200.9	BEARING BALL 6206	1
24	D11015950AA.9	GEAR DRIVER BEVEL KNUCKLE Z-10	1
25	D10159950.9	DOWEL POSITIONING 10X25	3
26	D11015940AA.9	GEAR DRIVEN BEVEL KNUCKLE Z-16	1
27	D85500450.9	WASHER 36.0X20.0X3.0	1
28	D10542450.9	COVER KNUCKLE HOUSING	1
29	D10544670.9	SHIM COVER KNUCKLE (0.075 MM)	1
30	D10544680.9	SHIM COVER KNUCKLE (0.125 MM)	1
31	D10544690.9	SHIM COVER KNUCKLE (0.2285 MM)	1
32	D10544700.9	SHIM COVER KNUCKLE (0.4065 MM)	1
33	D93601100.9	SEAL O RING 2.62X62.00	1
34	D10005880.9	WASHER M18 FLAT COPPER	1
35	D10006500.9	PLUG M18X1.5X12-6.8 HEX HEAD	1
36	D81500110.9	BOLT M8X1.25X20-8.8 HEX HEAD	4
37	D81503330.9	BOLT M10X1.50X45-8.8 HEX HEAD WITH ROUNDED TOP	1
38	D83500090.9	NUT M10X1.50-8 HEX	1
39	D10547400.9	SEAL O RING 3.53X95.0	1
40	D95000410.9	LOCTITE 574	AR

TABLE-57
HOUSING ASSEMBLY SWIVEL FRONT AXLE LH WITH HARDWARE SUBASSEMBLY (4WD COMPACT)

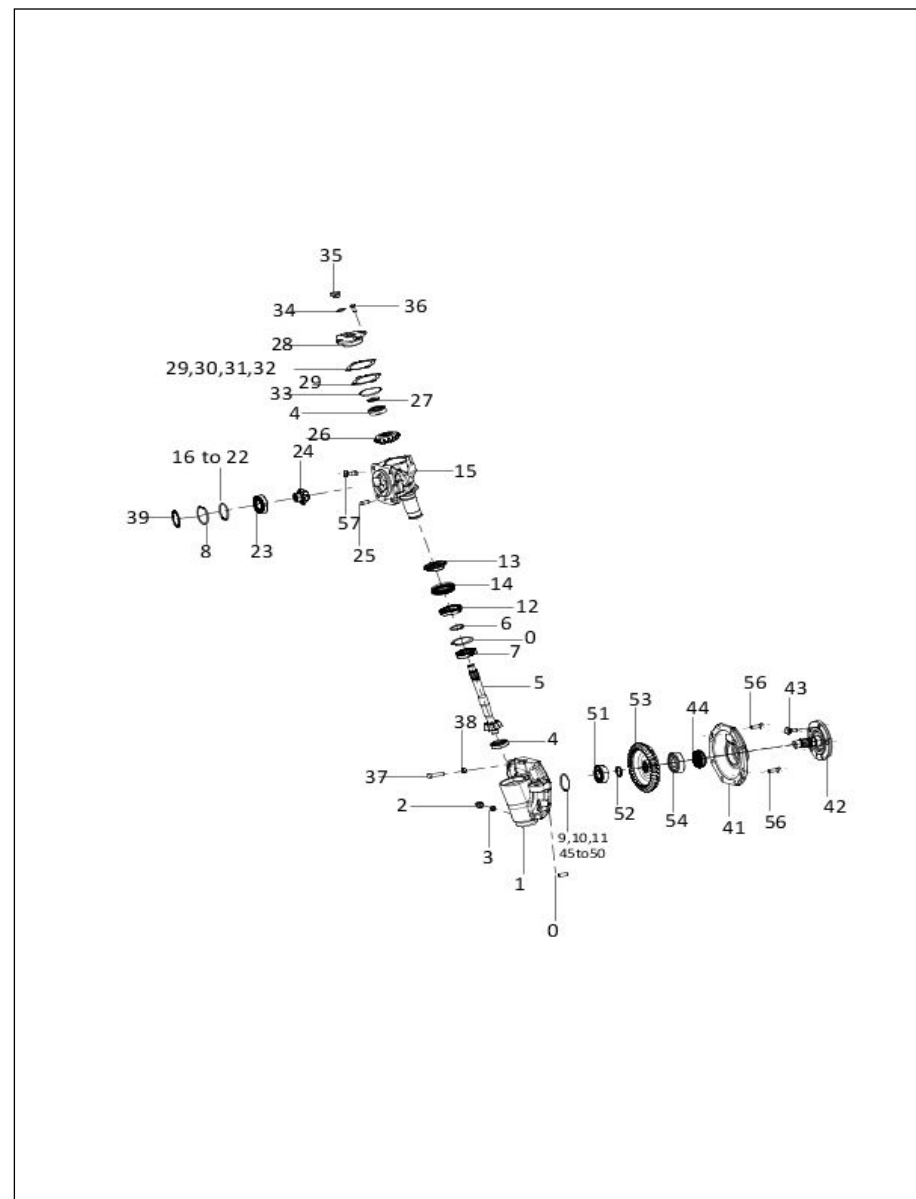


TABLE-57
HOUSING ASSEMBLY SWIVEL FRONT AXLE LH WITH HARDWARE SUBASSEMBLY (4WD COMPACT)

Fig. No.	Part No.	Description	Qty
41	D10528080.9	HOUSING WHEEL FRONT AXLE	1
42	D10528070.9	SHAFT FRONT AXLE WHEEL	1
43	D10541620.9	BOLT M12X1.5 FRONT WHEEL HUB	5
44	D10452820AD.9	SEAL OIL 35X60X14.5 PTO OUTPUT SHAFT	1
45	D10537800.9	SHIM REAR AXLE SHAFT (0.075 MM)	1
46	D10537810.9	SHIM REAR AXLE SHAFT (0.125 MM)	1
47	D10537820.9	SHIM REAR AXLE SHAFT (0.2285 MM)	1
48	D10537830.9	SHIM REAR AXLE SHAFT (0.4065 MM)	1
49	D10537840.9	SHIM REAR AXLE SHAFT (0.5335 MM)	1
50	D10537850.9	SHIM REAR AXLE SHAFT (0.7875 MM)	1
51	D10533260.9	BEARING BALL 6306	1
52	D10542420.9	WASHER SPLIT WHEEL END	2
53	D10528090.9	GEAR DRIVEN BEVEL WHEEL Z-37	1
54	D10170170.9	BEARING BALL 6305	1
55	D95000410.9	LOCTITE 574	2
56	D81502320.9	BOLT M10X1.50X30-10.9 HEX HEAD	8
57	D82500610.9	SCREW M12X1.75X30-10.9	4

TABLE-58
PILLOW BLOCK SUBASSEMBLY FRONT

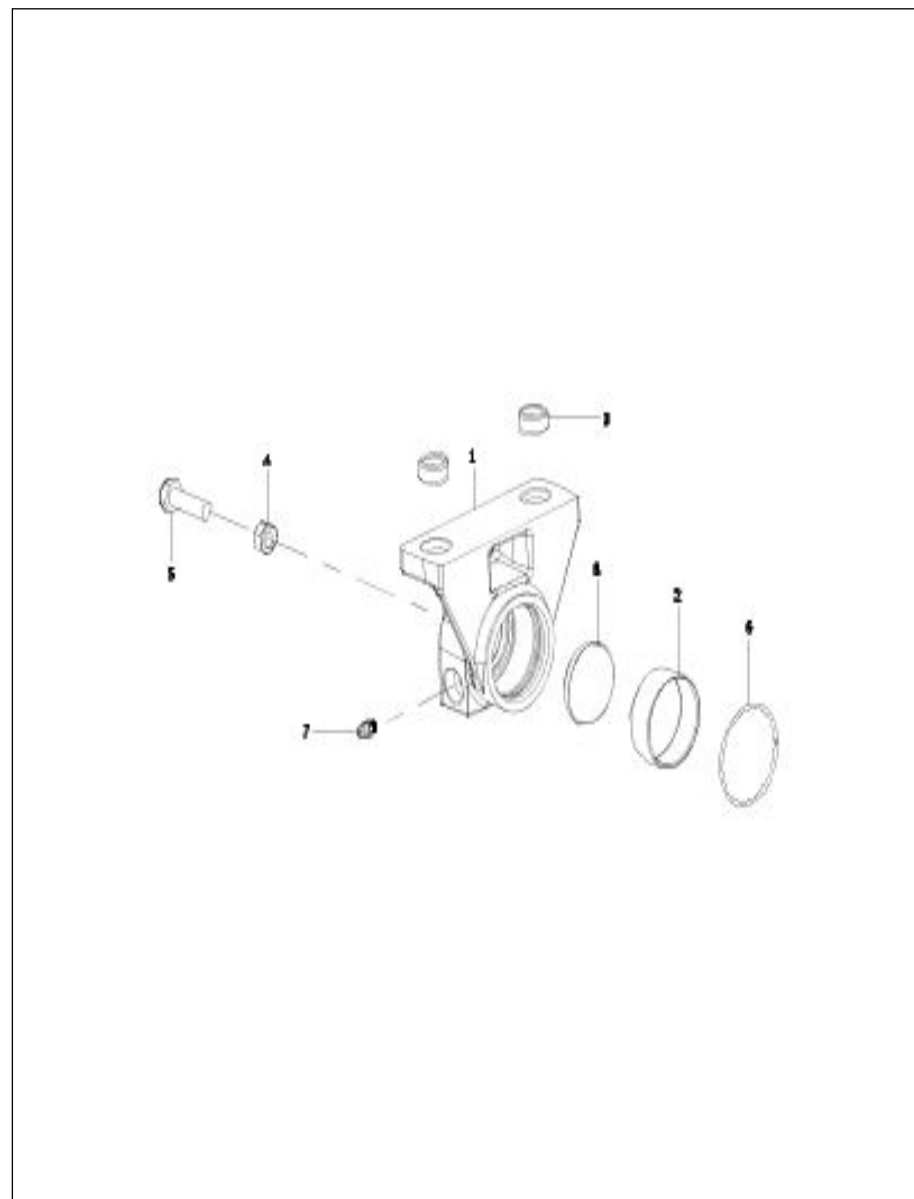


TABLE-58
PILLOW BLOCK SUBASSEMBLY FRONT

Fig. No.	Part No.	Description	Qty
1	D10543050.9	PILLOW BLOCK ASSEMBLY FRONT	1
2	D10542430.9	BUSH PILLOW BLOCK FRONT	1
3	D10548830.9	DOWEL BUSH PILLOW BLOCK	2
4	D83500090.9	NUT M10X1.50-8 HEX	1
5	D81500210.9	BOLT M10X1.50X35-6,6P HEX HEAD	1
6	D10547380.9	SEAL O RING 2.62X55.0	1
7	D92500010.9	GREASE NIPPLE B M6	1
8	D10542460.9	WASHER 48.0X4.0 THRUST	1

TABLE-59
PILLOW BLOCK SUBASSEMBLY REAR

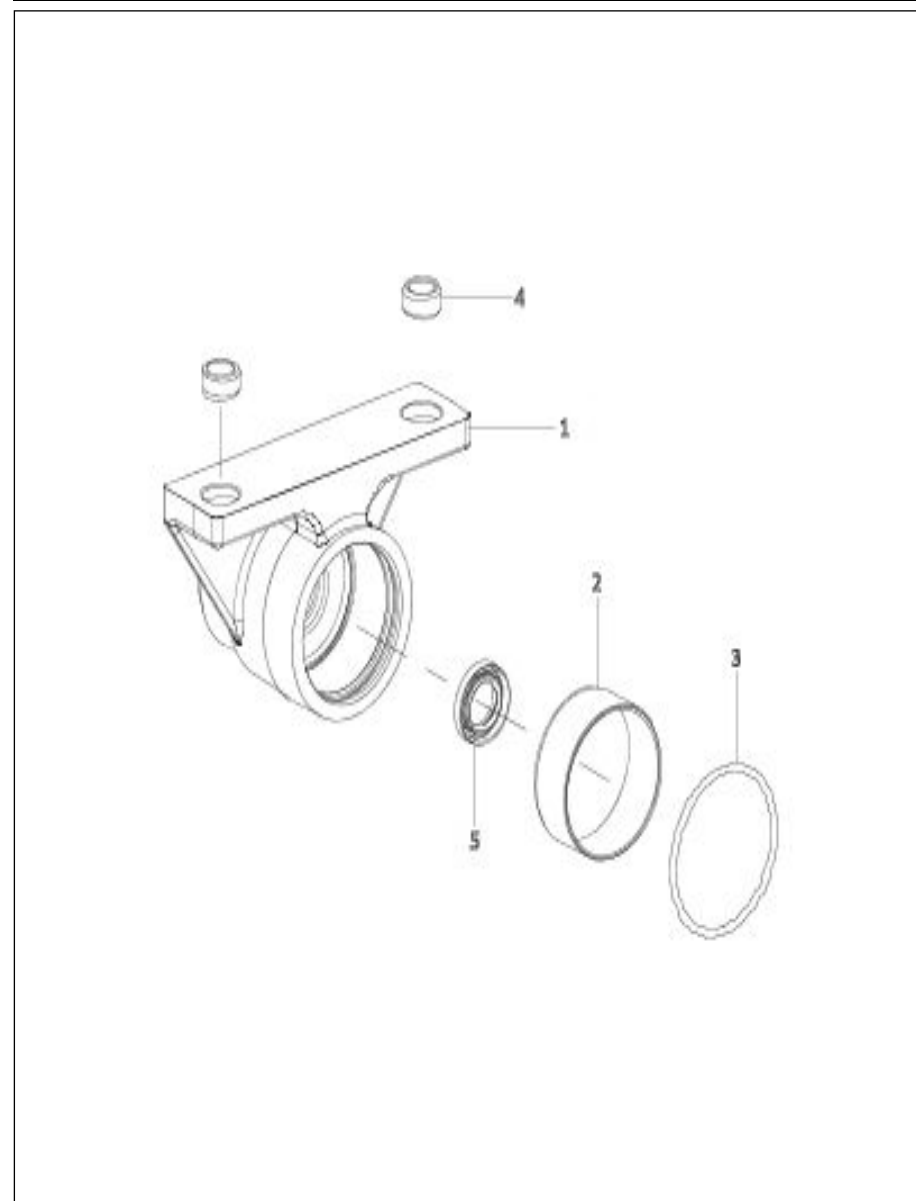


TABLE-59
PILLOW BLOCK SUBASSEMBLY REAR

Fig. No.	Part No.	Description	Qty
1	D10543060.9	PILLOW BLOCK ASSEMBLY REAR	1
2	D10542440.9	BUSH PILLOW BLOCK REAR	1
3	D10547390.9	SEAL O RING 3.53X72.0	1
4	D10548830.9	DOWEL BUSH PILLOW BLOCK	2
5	D93601110.9	SEAL OIL 22X37X7.0	1

TABLE-60
HOUSING ASSEMBLY FRONT AXLE CENTER BEAM SUBASSEMBLY

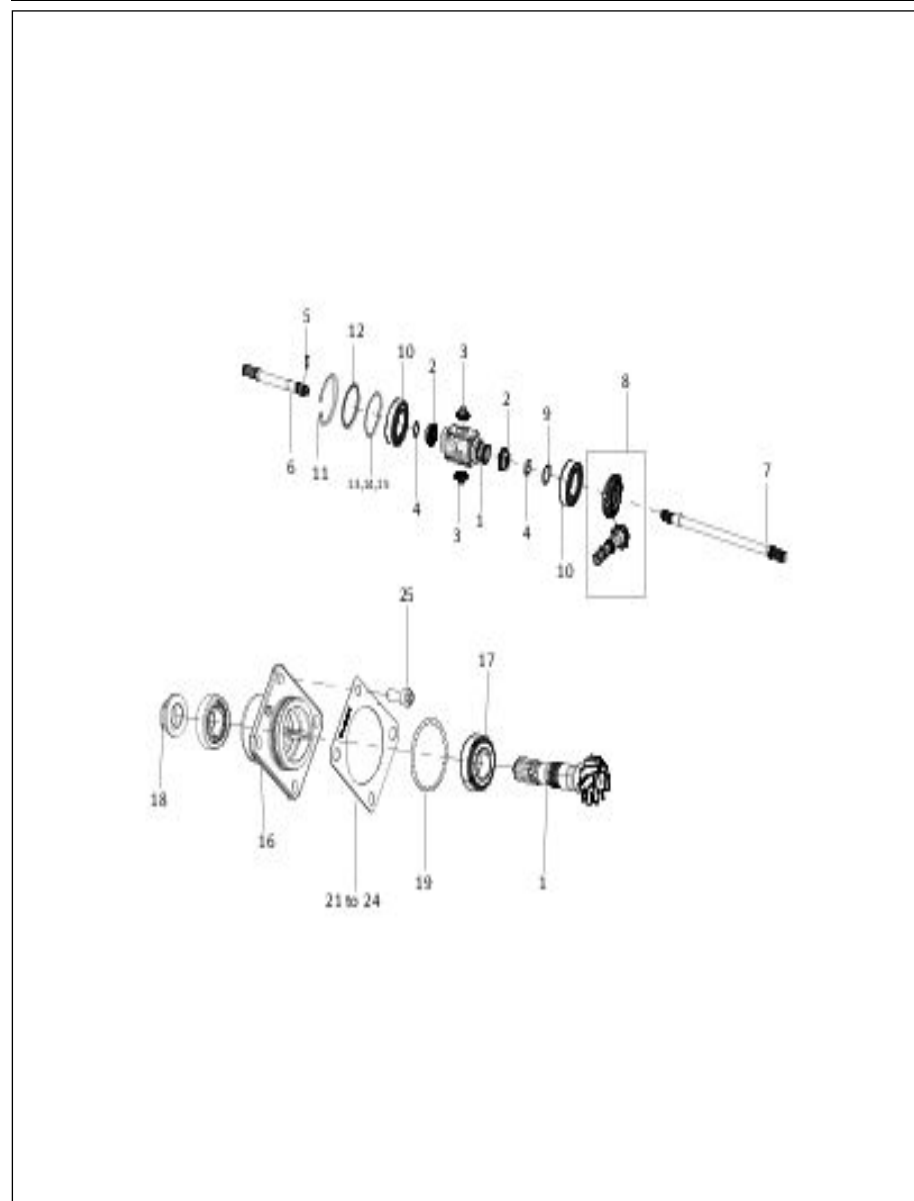


TABLE-60
HOUSING ASSEMBLY FRONT AXLE CENTER BEAM SUBASSEMBLY

Fig. No.	Part No.	Description	Qty
1	D10528170.9	CASE DIFFERENTIAL FRONT AXLE	1
1-1	D10528170AE.9	CASE DIFFERENTIAL FRONT AXLE	1
2	D10520860.9	BEVEL SIDE GEAR DIFFERENTIAL Z-16	2
3	D10520870.9	PINION GEAR DIFFERENTIAL Z-10	2
4	D10541560.9	WASHER THRUST 32X20.5X2 DIFFERENTIAL	2
5	D87500480.9	PIN 5.0X24.0 SPRING DOWEL	2
6	D10528220.9	SHAFT HALF AXLE LH	1
6-1	D10528220AB.9	SHAFT HALF AXLE LH	1
7	D10528230.9	SHAFT HALF AXLE RH	1
7-1	D10528230AB.9	SHAFT HALF AXLE RH	1
8	D10528180.9	GEAR SET BEVEL PINION AND CROWN WHEEL FRONT AXLE (10/21)	1
9	D10541630.9	RING SNAP DIFFERENTIAL FRONT AXLE	1
10	D10602220.9	BEARING BALL 6210 CN	2
11	D10106690.9	CIRCLIP B90X2.80 HB	1
12	D10546960.9	WASHER 89.90X80.0X3.0	1
13	D10546970.9	SHIM 89.90X81.0 (0.125 MM)	1
14	D10546980.9	SHIM 89.90X81.0 (0.2285 MM)	1
15	D10546990.9	SHIM 89.90X81.0 (0.4065 MM)	1
16	D10528210.9	RETAINER PINION FRONT AXLE	1
17	D10533280.9	BEARING TAPER ROLLER 32006X	1
18	D10541570.9	NUT CRIMP M24X1.5 HEX HEAD	1
19	D10154560.9	SEAL O RING 2.65X65.0	1
21	D10541580.9	SHIM RETAINER PINION (0.075 MM)	1
22	D10541590.9	SHIM RETAINER PINION (0.125 MM)	1
23	D10541600.9	SHIM RETAINER PINION (0.2285 MM)	1
24	D10541610.9	SHIM RETAINER PINION (0.4065 MM)	1
25	D81503270.9	BOLT M10X25X1.5-10.9 ALLEN	4
26	D10528160.9	HOUSING FRONT AXLE CENTER BEAM	1
27	D10673030.9	INDICATOR FRONT AXLE OIL LEVEL	1
28	D10617830.9	WASHER BONDED SEAL M20	1

TABLE-61
DRIVE TRAIN INPUT FRONT HOUSING HST ASSEMBLY

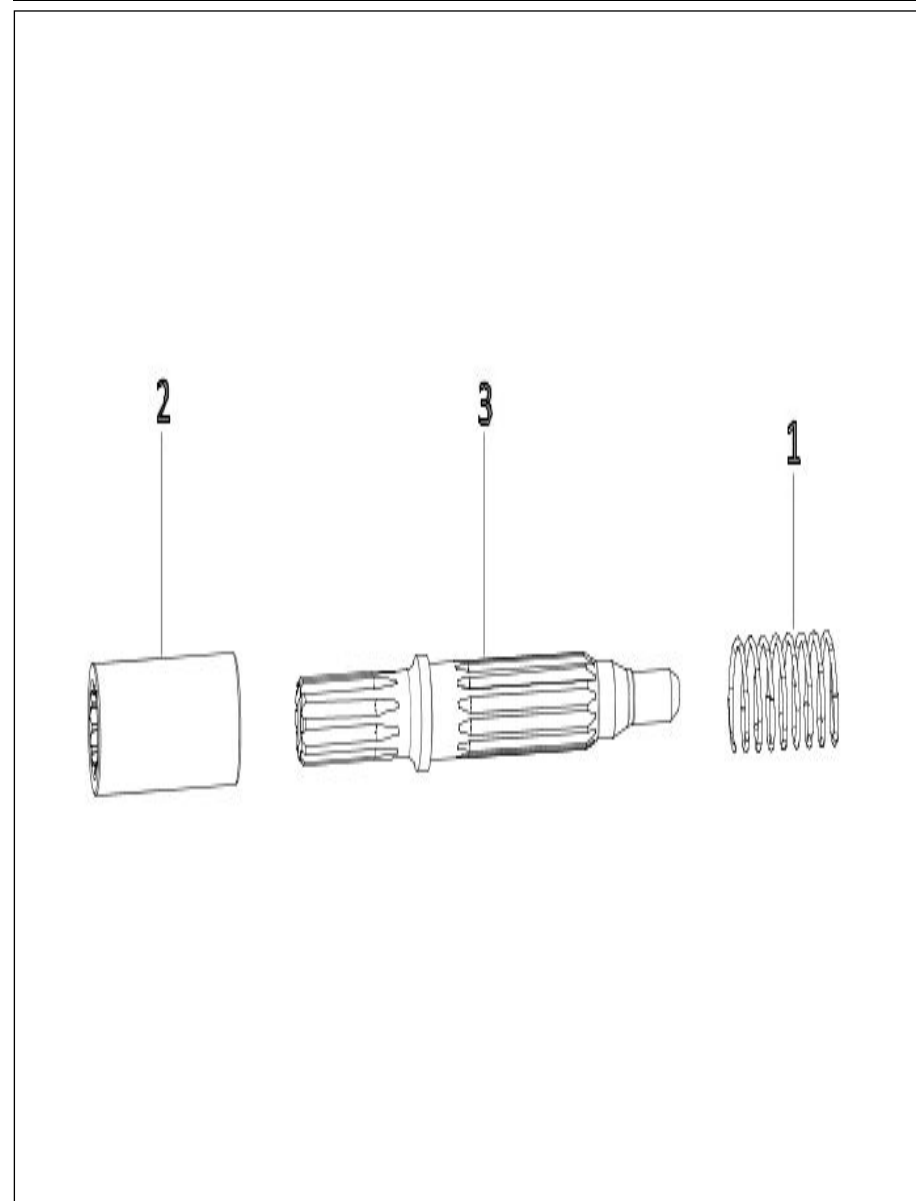


TABLE-61
DRIVE TRAIN INPUT FRONT HOUSING HST ASSEMBLY

Fig. No.	Part No.	Description	Qty
1	D10809890.9	SPRING DAMPER INPUT HST	1
2	D10590330.9	COUPLING INPUT HYDROSTATIC TRANSMISSION	1
3	D10580490.9	SHAFT INPUT HYDROSTATIC TRANSMISSION	1

130

TABLE-62
HOUSING FRONT HST ASSEMBLY

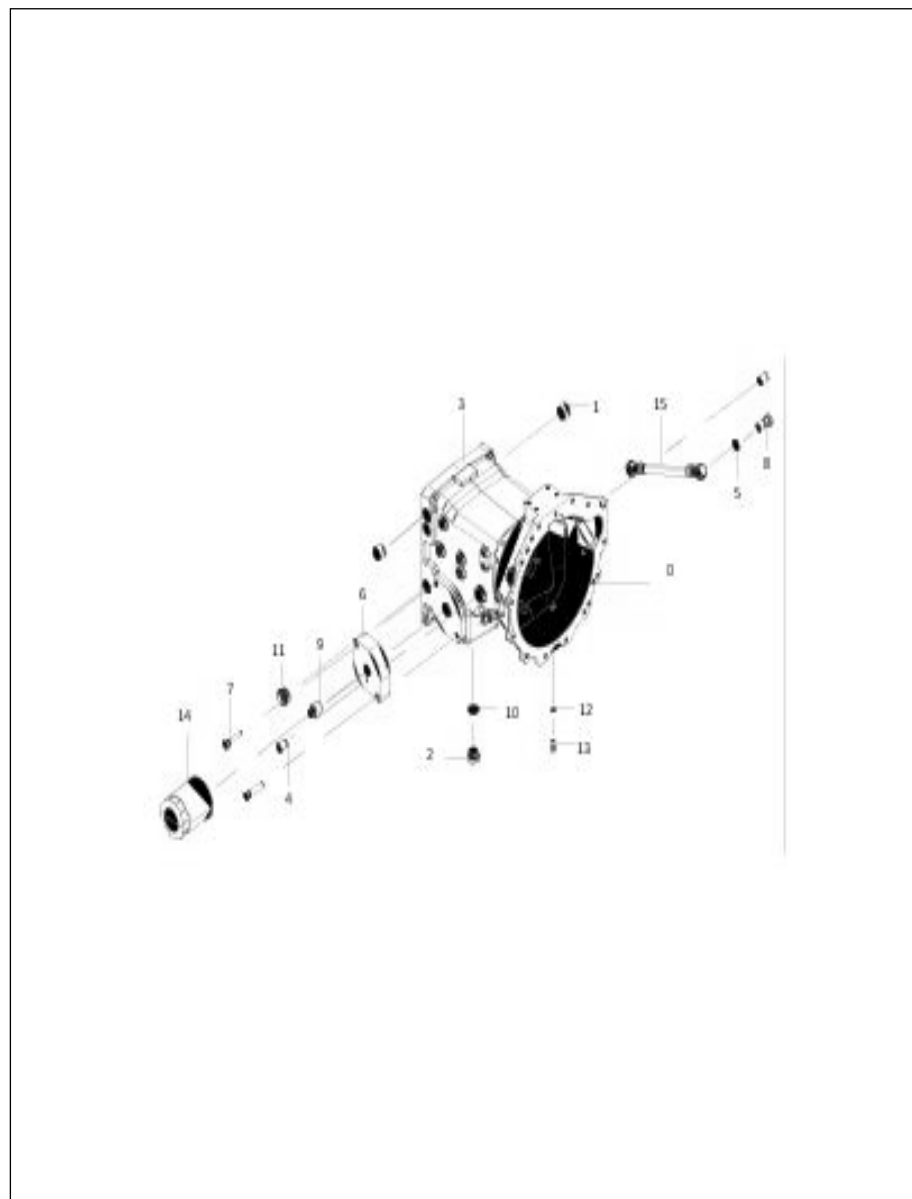


TABLE-62
HOUSING FRONT HST ASSEMBLY

Fig. No.	Part No.	Description	Qty
1	D10616070.9	PLUG M30X1.5 ALLEN	2
2	D93100330.9	PLUG M24X2.0-6G	1
3	D10599230.9	HOUSING FRONT COMPACT HST	1
4	D10614210.9	BUSH SHAFT CRUISE CONTROL	2
5	D10174950.9	SEAL BANJO BOLT DISTRIBUTOR TO CYLINDER TUBE	4
5-1	D10174950AD.9	SEAL BANJO BOLT DISTRIBUTOR TO CYLINDER TUBE	4
6	D10614200AB.9	PLATE BLOCK FILTER MOUNTING HST	1
7	D81504240.9	BOLT M12X1.75X50-8.8 ALLEN	2
8	D10174960.9	BOLT BANJO M18X1.50	2
8-1	D10174960AD.9	BOLT BANJO M18X1.50	2
9	D10515960AC.9	CONNECTOR M18X1.50 AND M18X1.50 STUD END	1
10	D10005120.9	WASHER M24 FLAT COPPER	1
11	D10238120.9	PLUG M30X1.5X12 WELCH	2
12	D10559860.9	WASHER M8 FLAT COPPER (FUEL INJECTION PUMP)	1
13	D81503090.9	BOLT M8X1.25X16-8.8 HEX HEAD	1
14	D10796180.9	FILTER AND ADAPTOR ASSEMBLY HST OIL INTAKE	1
15	D10614170.9	HOSE ASSEMBLY INLET HST	1

TABLE-63
HST UNIT SUBASSEMBLY WITH HARDWARE

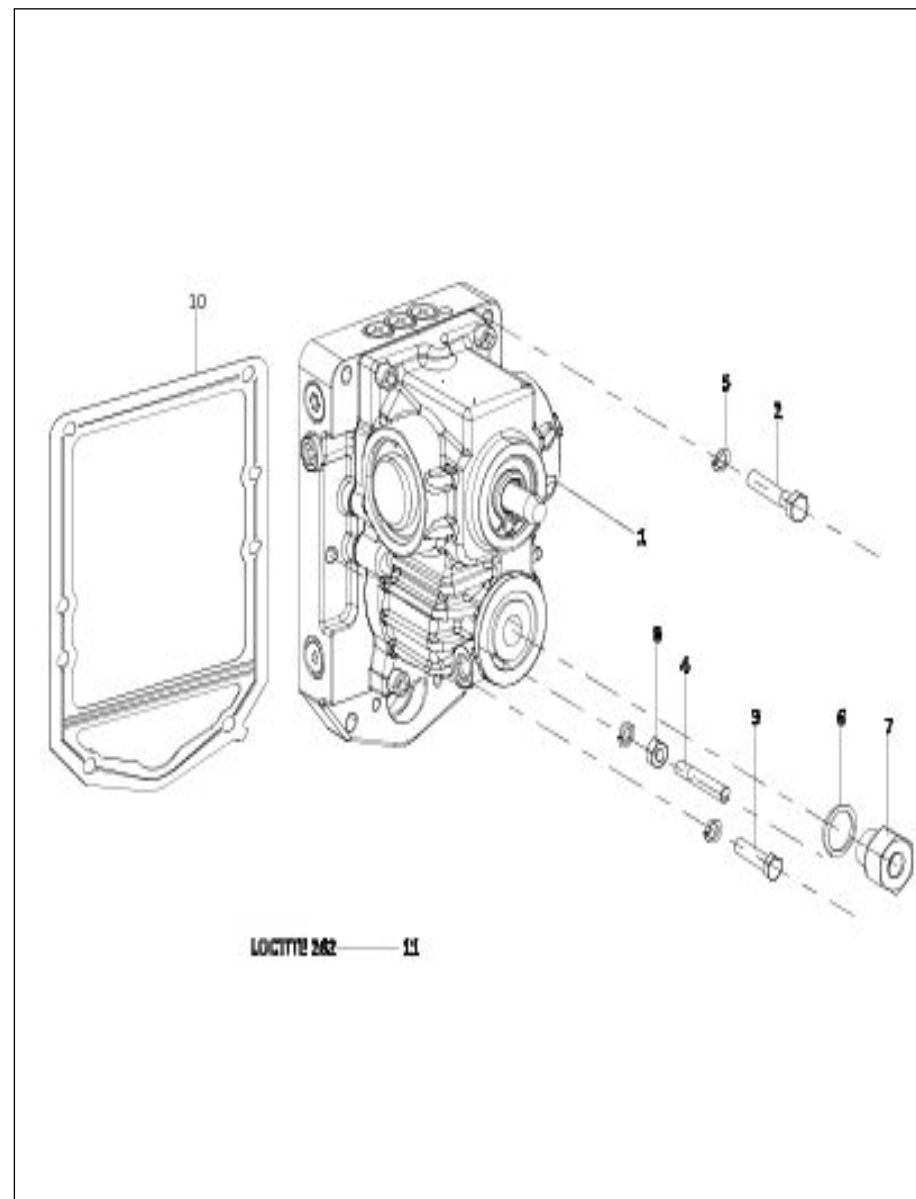


TABLE-63
HST UNIT SUBASSEMBLY WITH HARDWARE

Fig. No.	Part No.	Description	Qty
1	D10616640.9	HYDROSTATIC UNIT ASSEMBLY (NEUTRAL TYPE)	1
2	D81503150.9	BOLT M10X1.50X60-10.9 HEX HEAD	2
3	D81500160.9	BOLT M10X1.50X45-10.9 HEX HEAD	2
4	D84500330.9	STUD B M10X1.5X65-10.9	2
5	D86500090.9	WASHER M10 SPRING LOCK	6
6	D10616120.9	WASHER BONDED SEAL 27.05X34.93X2.34	1
7	D10614190.9	CONNECTOR M18X1.50 AND 3/4"- BSP STUD END	1
8	D83500090.9	NUT M10X1.50-8 HEX	2
9	D95013250.9	SEALANT LIQUID ANAEROBIC (HIGHER STRENGTH)	AR
10	D11034670AB.9	GASKET HST UNIT (25CC)	1
11	D95000420.9	LOCTITE 262	AR

TABLE-64
DRIVE TRAIN 4WD SUBASSEMBLY (HST)

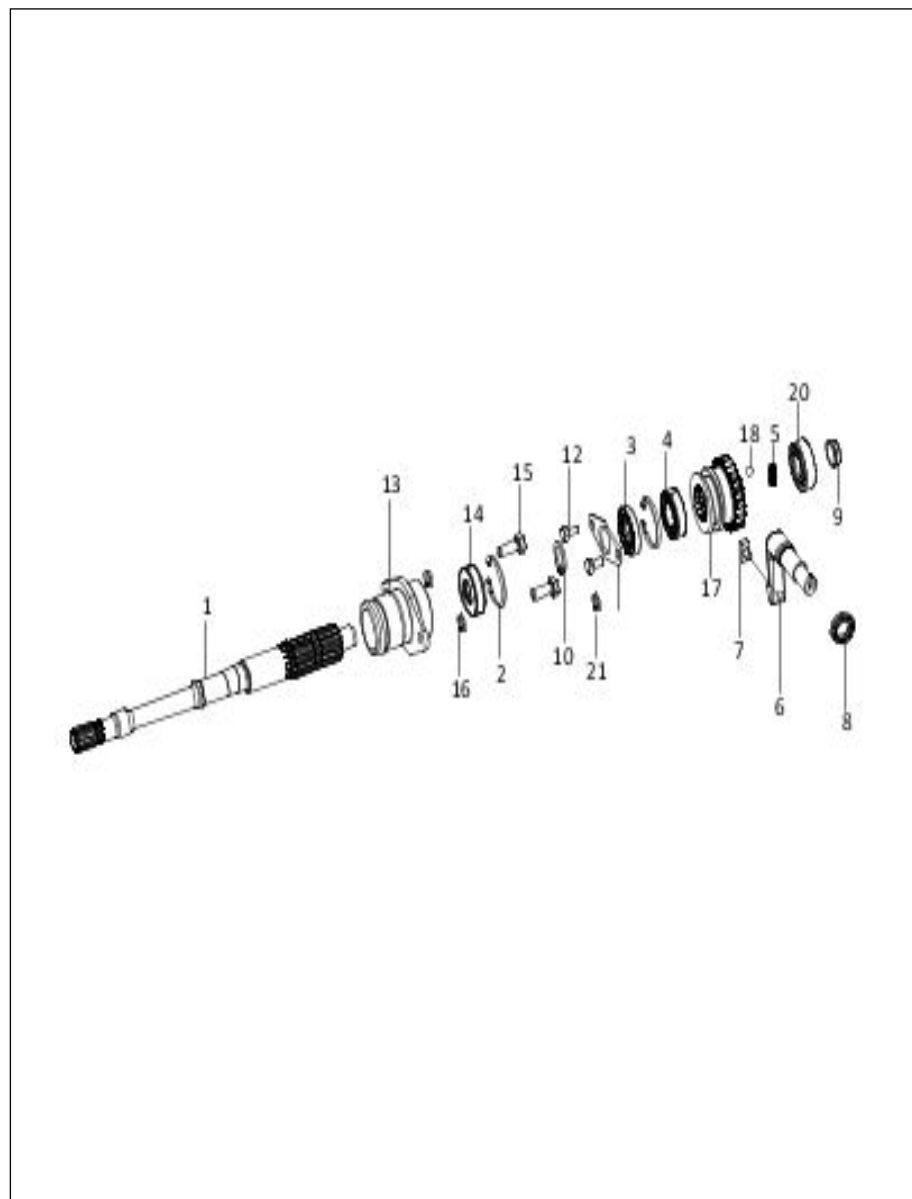


TABLE-64
DRIVE TRAIN 4WD SUBASSEMBLY (HST)

Fig. No.	Part No.	Description	Qty
1	D10599870.9	SHAFT OUTPUT DROP BOX (HST)	1
2	D90500370.9	CIRCLIP B47X2.0 H	2
3	D93601300.9	SEAL OIL 25X47X10	1
4	D10541470.9	BEARING BALL 6005	1
5	D10548300AB.9	SPRING COMPRESSION GEAR (4WD)	1
6	D10542300.9	LEVER 4WD ENGAGE	1
7	D10252790.9	PIN PTO SHIFTER FORK	1
8	D10152510.9	SEAL OIL 20.0X30.0X7.0	1
9	D10583080.9	SPACER 20X26X8.0 SHAFT DROP BOX	1
10	D90000010.9	CIRCLIP A25X1.2 N	1
11	D10616670AB.9	PLATE 4WD COMPACT HST	1
12	D81503090.9	BOLT M8X1.25X16-8.8 HEX HEAD	2
13	D10599860.9	RETAINER 4WD SHAFT (HST)	1
14	D10602670.9	BEARING BALL 6005 2RS	1
15	D81502150.9	BOLT M10X1.50X25-10.9 HEX HEAD	2
16	D86500090.9	WASHER M10 SPRING LOCK	2
17	D10542260.9	GEAR OUTPUT 4WD Z-25	1
18	D10006740.9	BALL 5/16" SNAP LOCK	1
19	D95019510.9	LOCTITE 5188 (ANAEROBIC SEALANT) 50ML	AR
20	D10541500.9	BEARING ROLLER NJ 204	1
21	D86500030.9	WASHER M8 SPRING LOCK	2

TABLE-65
RETAINER AND GEAR PAIR INPUT SUB ASSEMBLY WITH HARDWARE (HST)

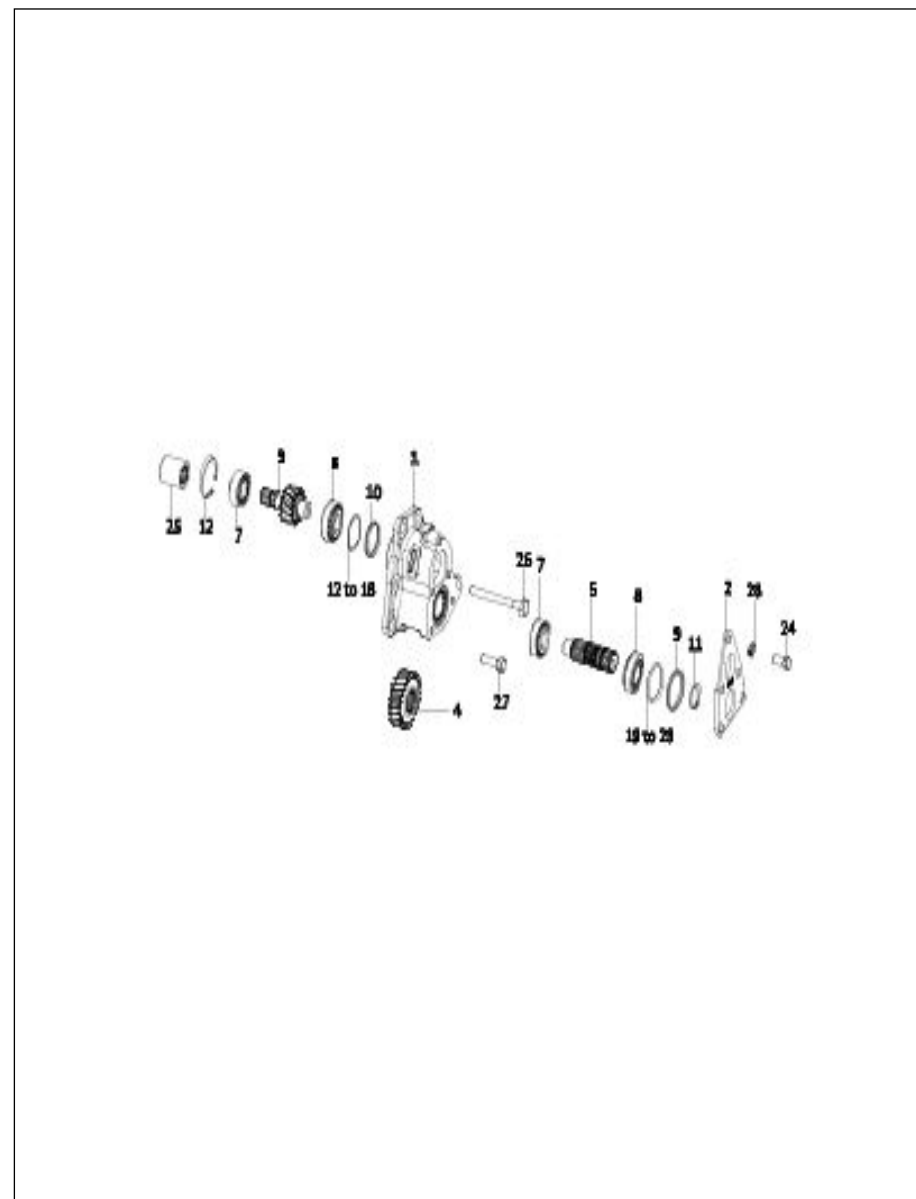


TABLE-65
RETAINER AND GEAR PAIR INPUT SUB ASSEMBLY WITH HARDWARE (HST)

Fig. No.	Part No.	Description	Qty
1	D10580500AD.9	CASING INPUT PAIR HYDROSTATIC TRANSMISSION	1
2	D10580510.9	RETAINER INPUT PAIR HYDROSTATIC TRANSMISSION	1
3	D10580520.9	SHAFT DRIVING CONSTANT MESH Z-14	1
4	D10580530.9	GEAR DRIVEN CONSTANT MESH Z-23	1
5	D10580540.9	SHAFT DRIVEN CONSTANT MESH	1
6	D10587490.9	BEARING TAPER ROLLER 30204	1
7	D10587500.9	BEARING TAPER ROLLER TMB32004	2
8	D10539330.9	BEARING TAPPER ROLLER 32005	1
9	D85500580.9	WASHER 40X47X3.0 FLAT	1
10	D85500590.9	WASHER 36X42X3.0 FLAT	1
11	D90000010.9	CIRCLIP A25X1.2 N	1
12	D90500370.9	CIRCLIP B47X2.0 H	1
13	D10596520.9	SHIM 36X42 (THICKNESS 0.075 MM)	1
14	D10596530.9	SHIM 36X42 (THICKNESS 0.125 MM)	1
15	D10596540.9	SHIM 36X42 (THICKNESS 0.2285 MM)	1
16	D10596550.9	SHIM 36X42 (THICKNESS 0.4065 MM)	1
17	D10596560.9	SHIM 36X42 (THICKNESS 0.6 MM)	1
18	D10596570.9	SHIM 36X42 (THICKNESS 0.7875 MM)	1
19	D10596580.9	SHIM 40X47 (THICKNESS 0.075 MM)	1
20	D10596590.9	SHIM 40X47 (THICKNESS 0.125 MM)	1
21	D10596600.9	SHIM 40X47 (THICKNESS 0.2285 MM)	1
22	D10596610.9	SHIM 40X47 (THICKNESS 0.4065 MM)	1
23	D10596620.9	SHIM 40X47 (THICKNESS 0.6 MM)	1
24	D81500110.9	BOLT M8X1.25X20-8.8 HEX HEAD	5
25	D10580480.9	COUPLING OUTPUT HYDROSTATIC TRANSMISSION	1
26	D81503340.9	BOLT M10X1.50X90-10.9 HEX HEAD	1
27	D81503880.9	BOLT M10X1.50X30-10.9 HEX HEAD (16 A/F)	4
28	D86500030.9	WASHER M8 SPRING LOCK	5

TABLE-66
HOUSING ASSEMBLY INTERMEDIATE (HST)

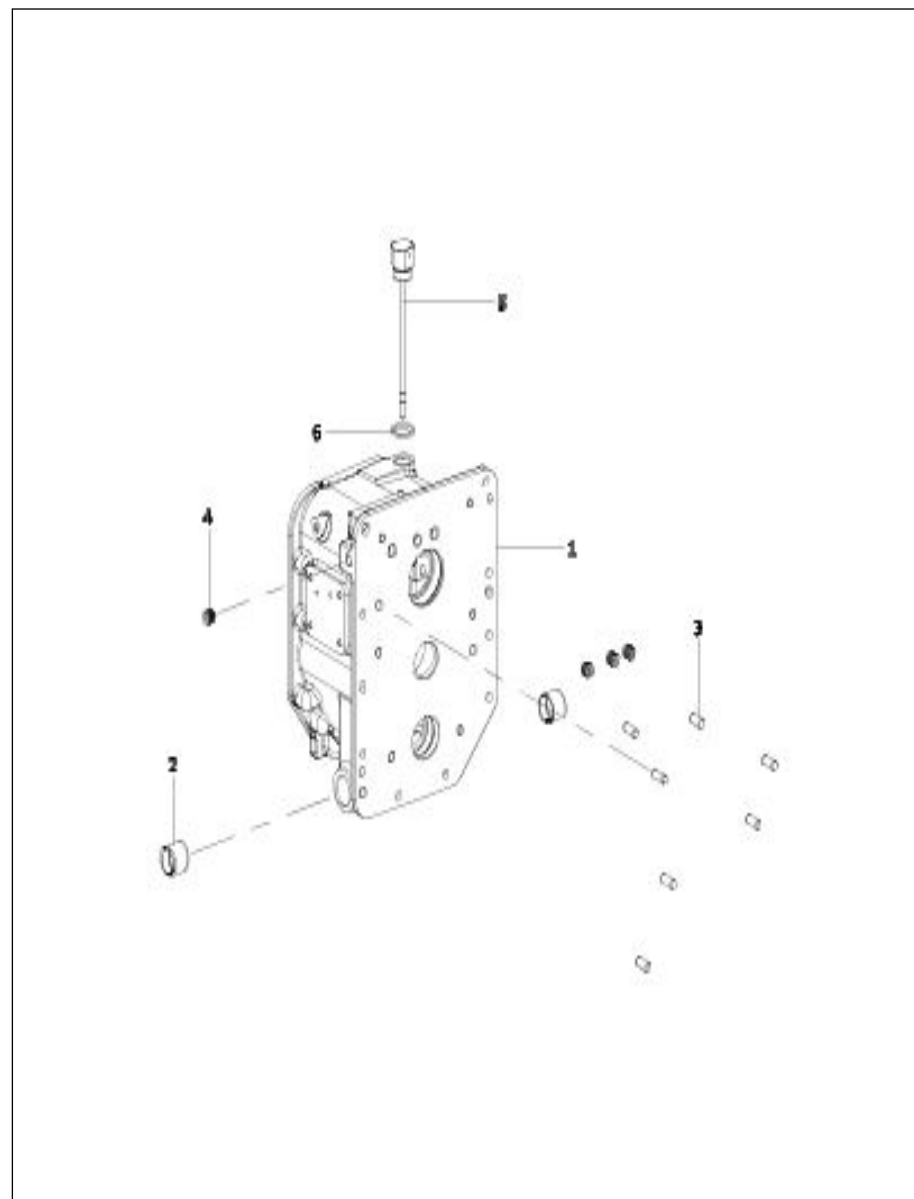


TABLE-66
HOUSING ASSEMBLY INTERMEDIATE (HST)

Fig. No.	Part No.	Description	Qty
1	D10590310.9	HOUSING INTERMEDIATE COMPACT (HST)	1
2	D10481310.9	BUSH BRAKE PEDAL SHAFT	2
3	D87500030.9	PIN 10X22 DOWEL	7
4	D93100410.9	PLUG 1/4"-18 SOCKET HEX HEAD (STEEL)	4
5	D10614560.9	INDICATOR OIL LEVEL TRANSMISSION (HST)	1
5-1	D10614560AB.9	INDICATOR OIL LEVEL TRANSMISSION (HST)	1
6	D10005120.9	WASHER M24 FLAT COPPER	1

TABLE-67
CLUTCH WET PTO SUBASSEMBLY

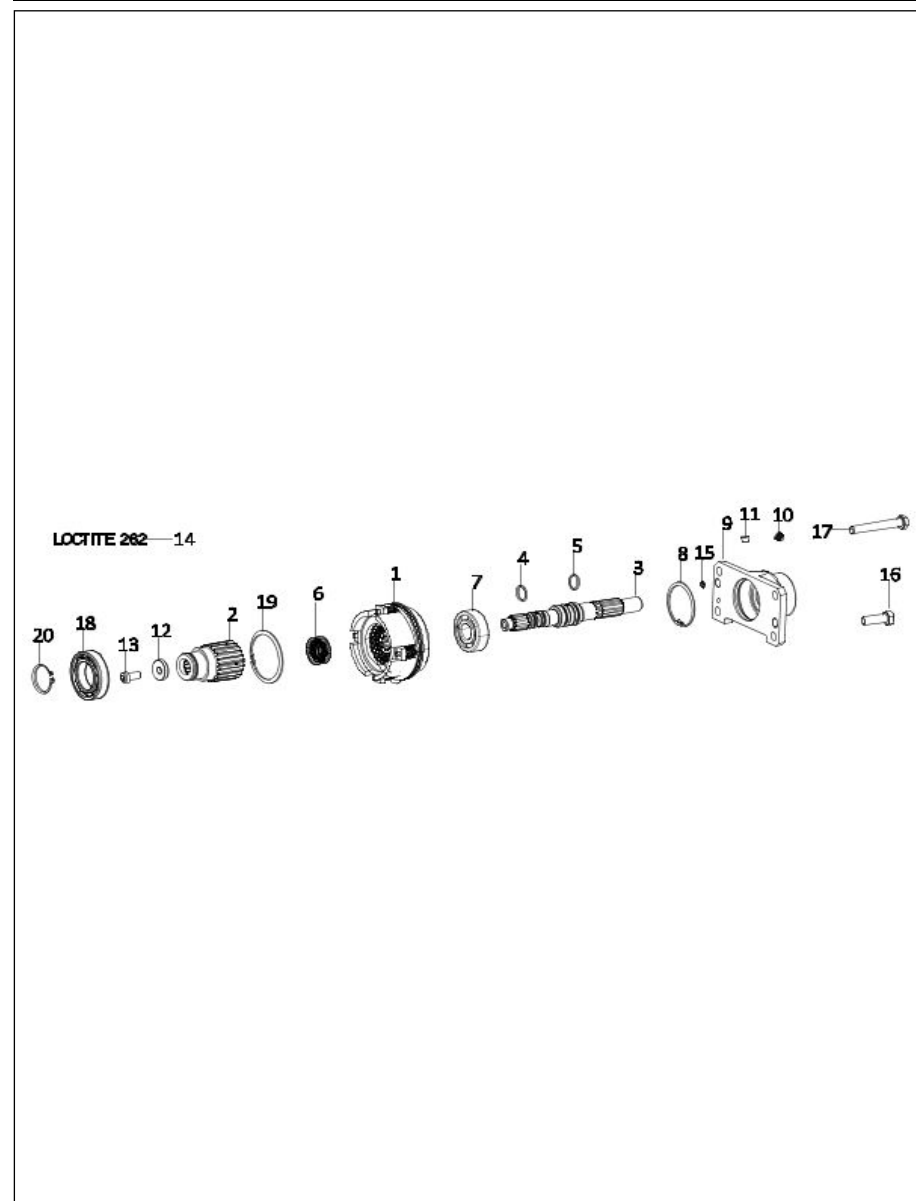


TABLE-67
CLUTCH WET PTO SUBASSEMBLY

Fig. No.	Part No.	Description	Qty
1	D10580880.9	CLUTCH ASSEMBLY WET PTO	1
2	D10580890.9	HUB WET PTO CLUTCH INPUT	1
3	D10580900.9	SHAFT WET PTO CLUTCH OUTPUT	1
4	D93601240.9	SEAL OIL PTFE 16.35X20.25X1.85	2
5	D93601250.9	SEAL OIL PTFE 24.35X28.25X1.85	2
6	D10580910.9	BEARING BALL 6202 C3	1
7	D10541460.9	BEARING BALL 6304	1
8	D90500390.9	CIRCLIP B52X2.0 N	1
9	D10580920AD.9	RETAINER WET PTO CLUTCH	1
10	D93100060.9	PLUG 1/8-27 SOCKET HEX HEAD (STEEL)	1
11	D10008050.9	PLUG 8.0MM HYDRAULIC DISTRIBUTOR	1
12	D85500900.9	WASHER 26X8X5 THRUST	1
13	D82500730.9	SCREW M8X1.25X18 ALLEN	1
14	D95000420.9	LOCTITE 262	AR
15	D93601280.9	SEAL O RING 1.0X6.0	1
16	D81503880.9	BOLT M10X1.50X30-10.9 HEX HEAD (16 A/F)	3
17	D81503420.9	BOLT M10X1.50X70-10.9 HEX HEAD	1
18	D10602280.9	BEARING BALL 6007	1
19	D90500410.9	CIRCLIP B62X2.0 N (IS 3075 PART-II)	1
20	D90000020.9	CIRCLIP A35X1.5 N	1

TABLE-68
HOUSING REAR AXLE CENTRE SUBASSEMBLY (HST)

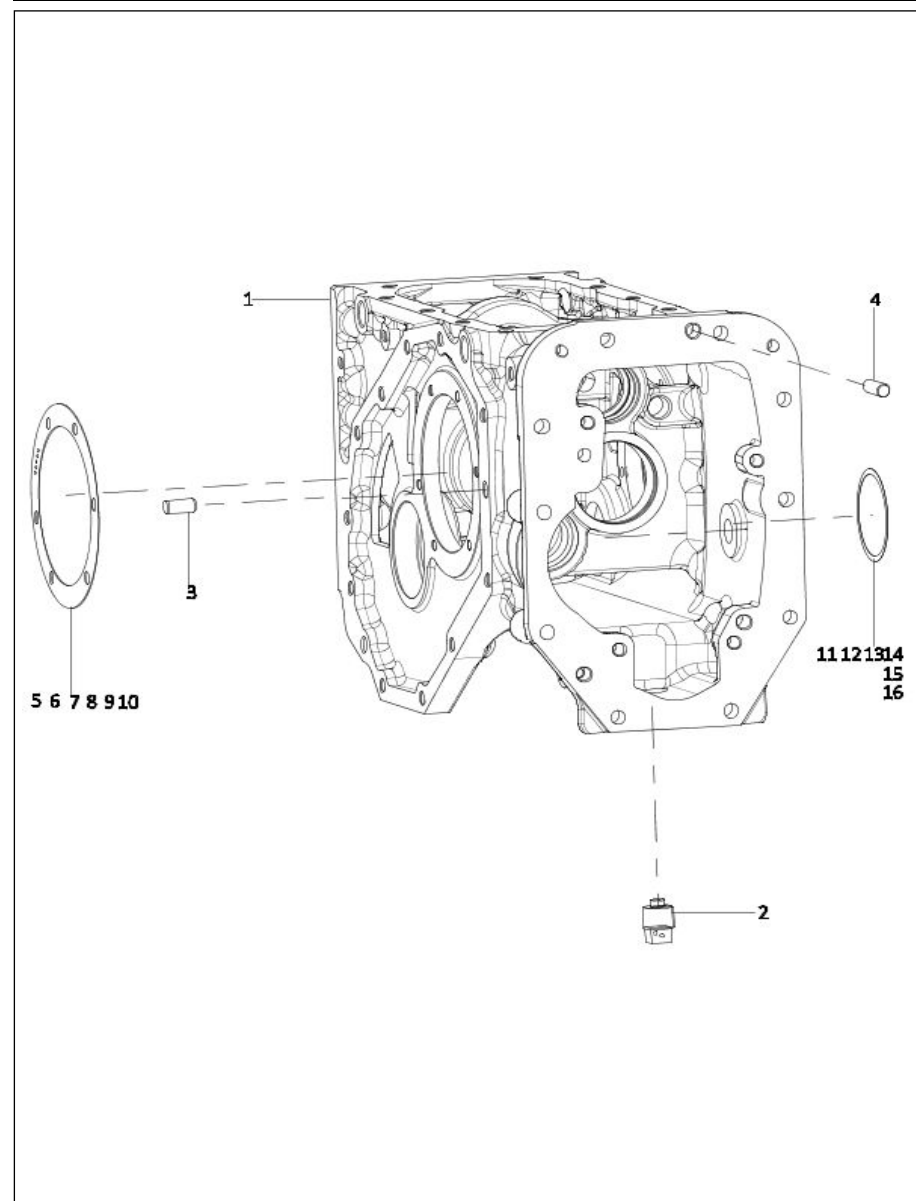


TABLE-68
HOUSING REAR AXLE CENTRE SUBASSEMBLY (HST)

Fig. No.	Part No.	Description	Qty
1	D10594190AD.9	HOUSING REAR COMPACT MID PTO	1
2	D10213110.9	PLUG DRAIN 3/4-14 NPTF (MAGNETIC)	1
3	D87500030.9	PIN 10X22 DOWEL	9
4	D93400460.9	PIN 10X35 PLAIN DOWEL	2
5	D10541130.9	SHIM RETAINER DIFFERENTIAL (0.075 MM)	2
6	D10541140.9	SHIM RETAINER DIFFERENTIAL (0.125 MM)	2
7	D10541150.9	SHIM RETAINER DIFFERENTIAL (0.2285 MM)	2
8	D10541160.9	SHIM RETAINER DIFFERENTIAL (0.4065 MM)	2
9	D10541170.9	SHIM RETAINER DIFFERENTIAL (0.5335 MM)	2
10	D10541180.9	SHIM RETAINER DIFFERENTIAL (0.7875 MM)	2
11	D10537800.9	SHIM REAR AXLE SHAFT (0.075 MM)	2
12	D10537810.9	SHIM REAR AXLE SHAFT (0.125 MM)	2
13	D10537820.9	SHIM REAR AXLE SHAFT (0.2285 MM)	2
14	D10537830.9	SHIM REAR AXLE SHAFT (0.4065 MM)	2
15	D10537840.9	SHIM REAR AXLE SHAFT (0.5335 MM)	2
16	D10537850.9	SHIM REAR AXLE SHAFT (0.7875 MM)	2

TABLE-69
GEAR AND DIFFERENTIAL REAR AXLE SUBASSEMBLY

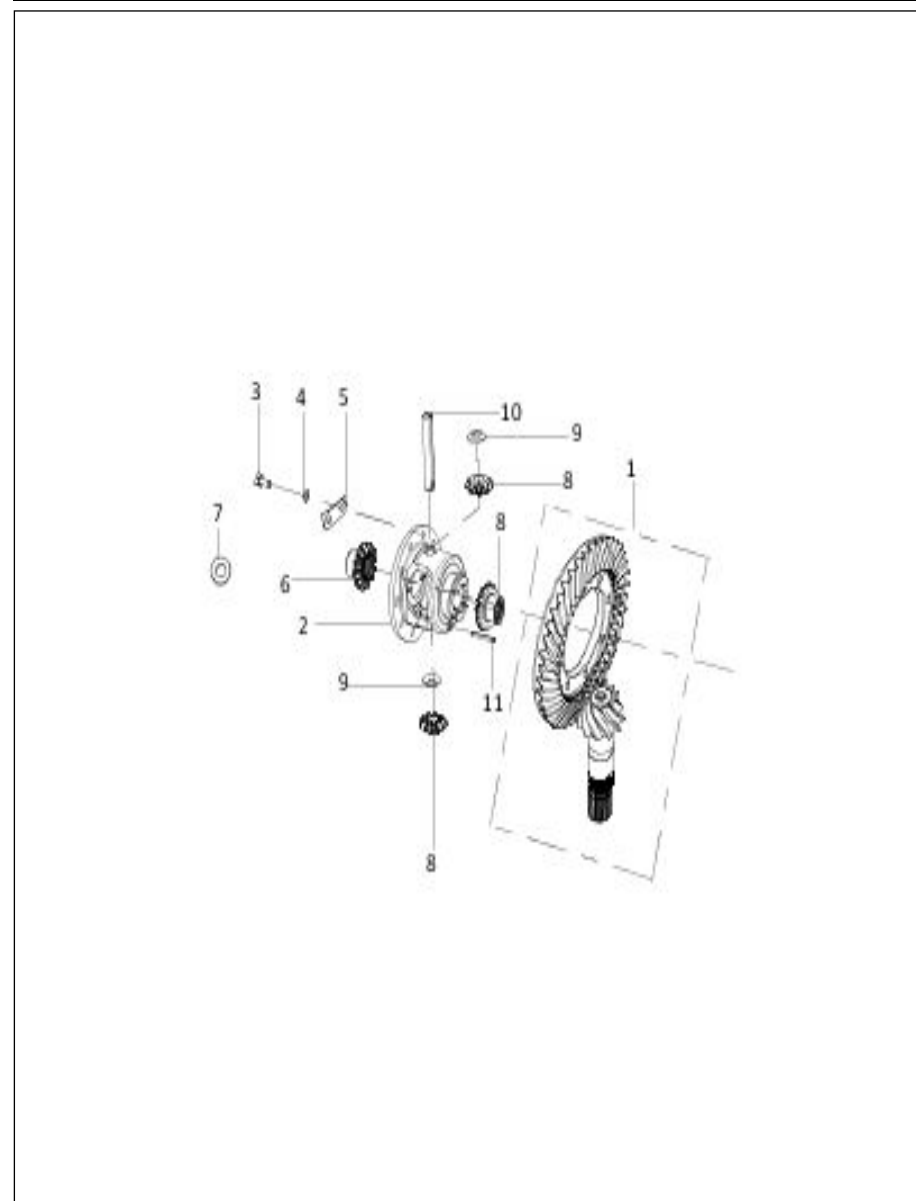


TABLE-69
GEAR AND DIFFERENTIAL REAR AXLE SUBASSEMBLY

Fig. No.	Part No.	Description	Qty
1	D10541050.9	GEAR SET BEVEL PINION AND CROWN WHEEL REAR AXLE Z-41/11	1
4	D10537130.9	CASING DIFFERENTIAL REAR AXLE	1
5	D82501060.9	SCREW M8X1.25X18-10.9 HEX HEAD	10
6	D85500440.9	WASHER 8.1X13X1.0 FLAT	10
7	D10536870.9	WASHER LOCK DIFFERENTIAL CROWN WHEEL GEAR	5
8	D10520880.9	BEVEL SIDE GEAR DIFFERENTIAL Z-13	2
9	D10536860.9	WASHER REAR AXLE DIFFERENTIAL THRUST	2
10	D10520890.9	PINION GEAR DIFFERENTIAL Z-9	2
11	D10536850.9	WASHER REAR AXLE DIFFERENTIAL PINION	2
12	D10536840AB.9	SPIDER REAR AXLE DIFFERENTIAL	1
13	D87500540.9	PIN 5X40 SPRING DOWEL	1

TABLE-70
DIFFERENTIAL LOCK SUBASSEMBLY

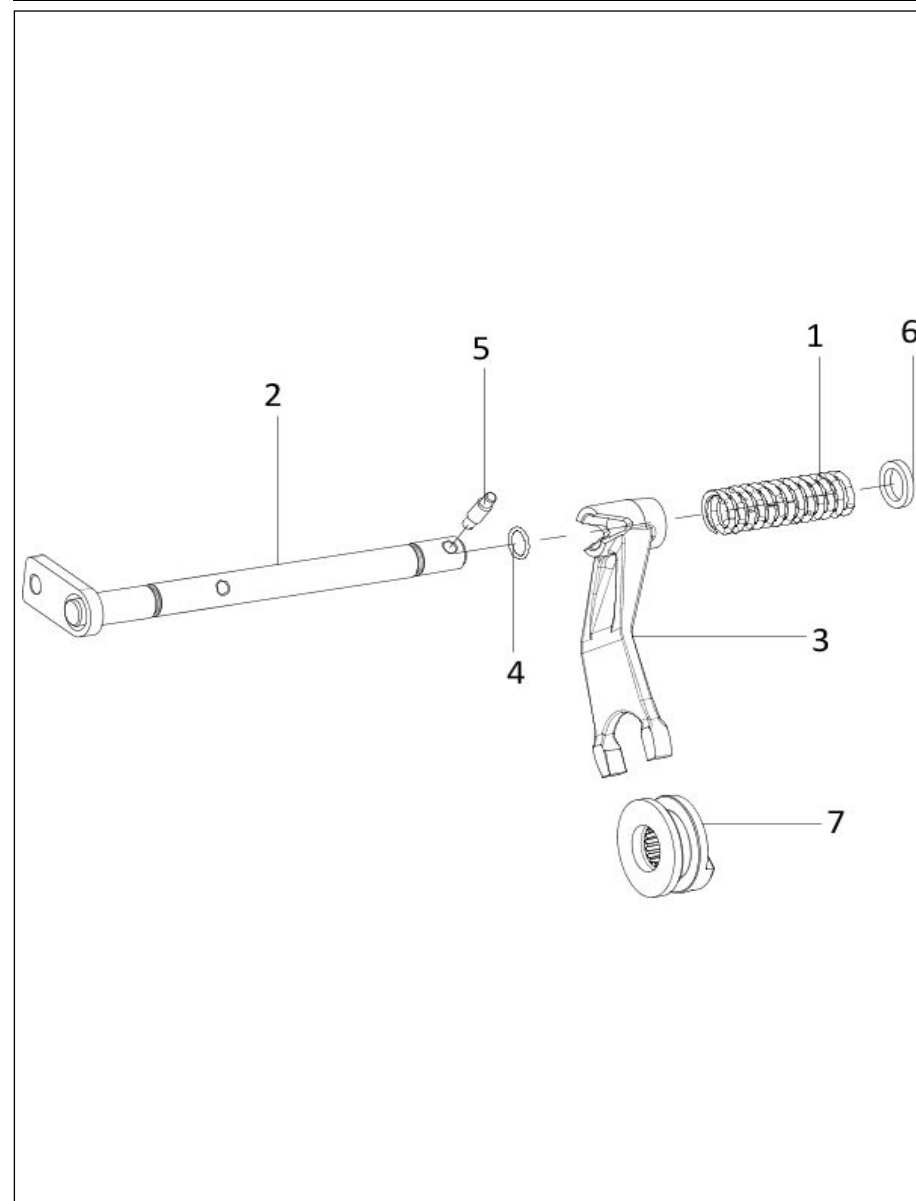


TABLE-70
DIFFERENTIAL LOCK SUBASSEMBLY

Fig. No.	Part No.	Description	Qty
1	D10541080.9	SPRING REAR AXLE DIFFERENTIAL LOCK	1
2	D10541100.9	SHAFT AND LEVER ASSEMBLY REAR AXLE DIFFERENTIAL LOCK	1
3	D10541110.9	FORK DIFFERENTIAL LOCK	1
4	D10007720.9	SEAL O RING 2.00X14.00	2
5	D10546180.9	PIN REAR AXLE DIFFERENTIAL LOCK SHAFT	2
6	D10550590.9	SPACER 18X26X4.0 FLAT	1
7	D10541090.9	SLEEVE REAR AXLE DIFFERENTIAL LOCK	1

TABLE-71
RETAINER BEARING DIFFERENTIAL SUBASSEMBLY LH

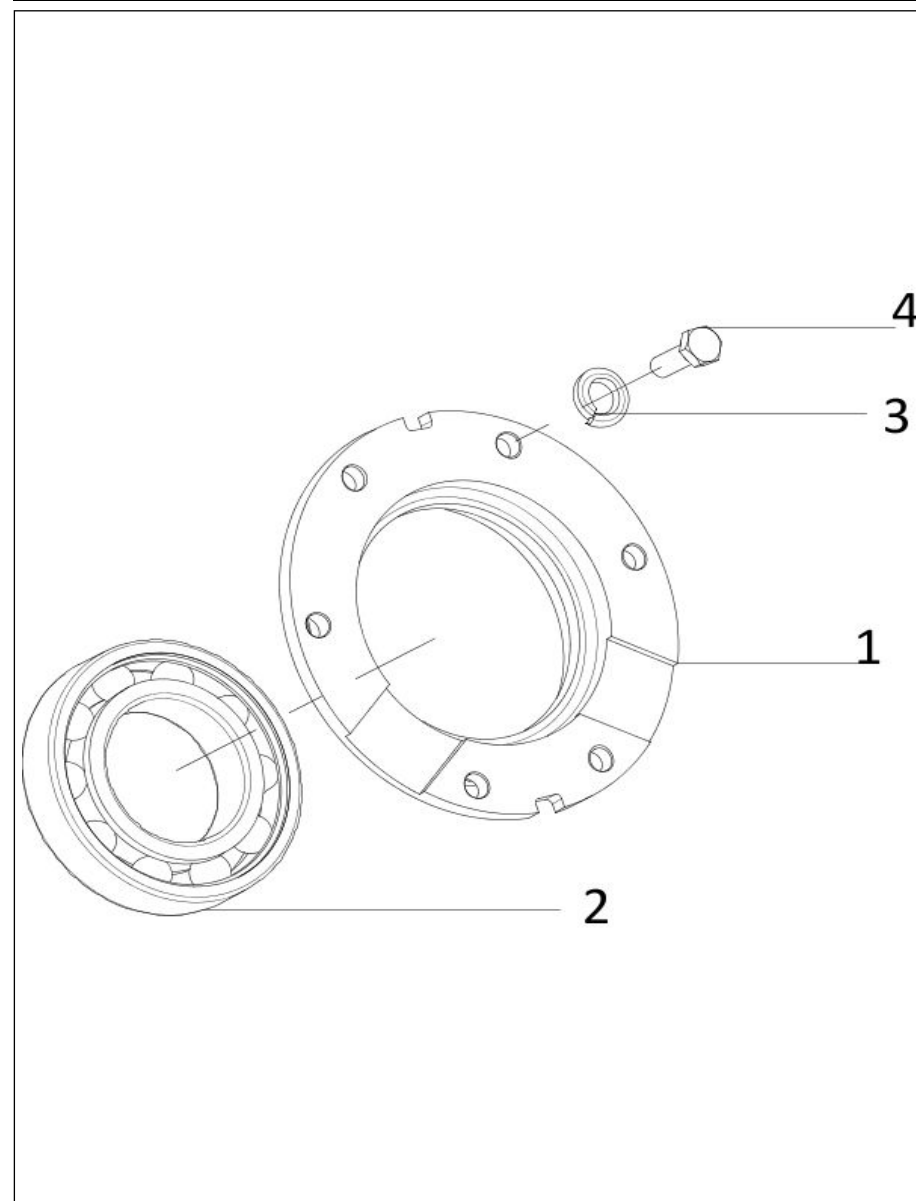


TABLE-71
RETAINER BEARING DIFFERENTIAL SUBASSEMBLY LH

Fig. No.	Part No.	Description	Qty
1	D10537770.9	RETAINER BEARING DIFFERENTIAL LH	1
2	D10584630.9	BALL BEARING 6211 CN	1
3	D86500030.9	WASHER M8 SPRING LOCK	6
4	D82500080.9	SCREW M8X1.25X25-8.8 HEX HEAD	6

TABLE-72
RETAINER BEARING DIFFERENTIAL SUBASSEMBLY RH

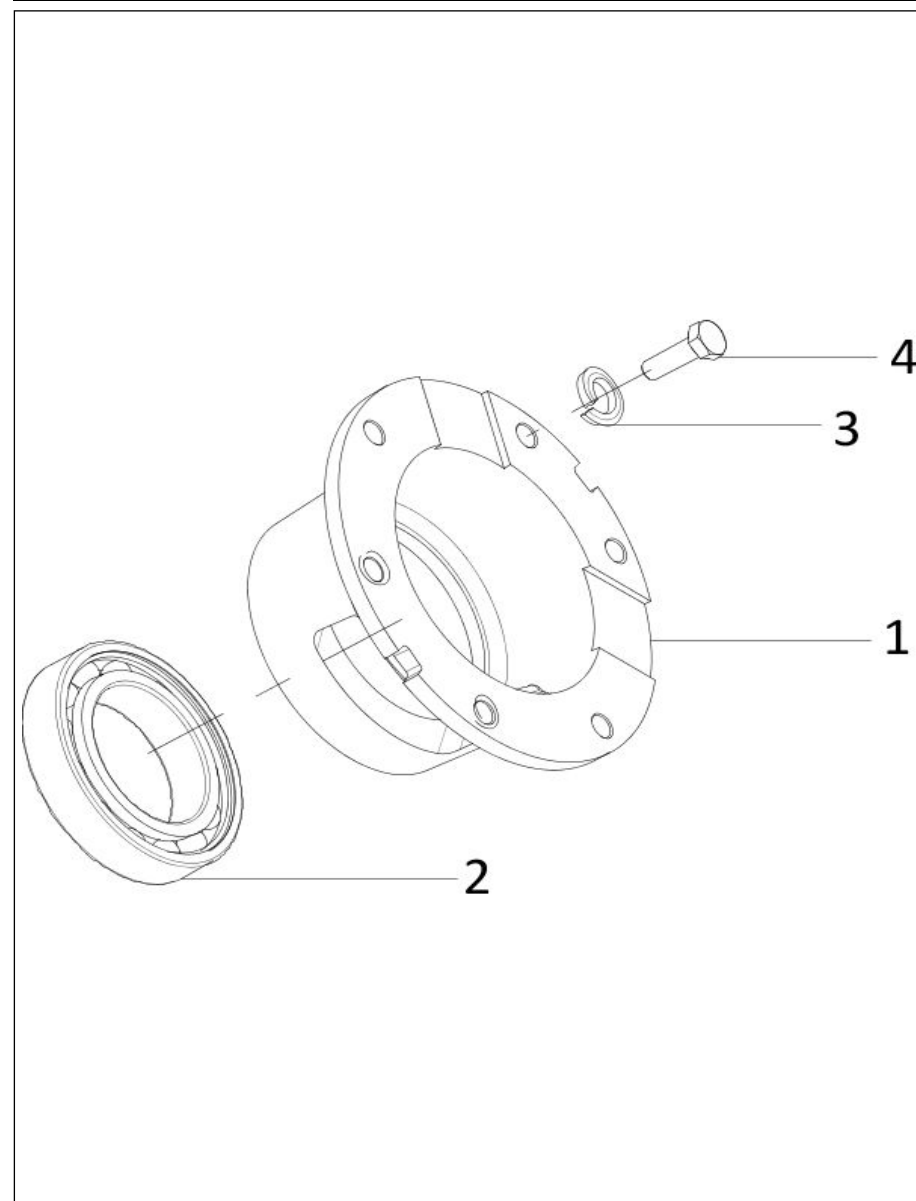


TABLE-72
RETAINER BEARING DIFFERENTIAL SUBASSEMBLY RH

Fig. No.	Part No.	Description	Qty
1	D10537780.9	RETAINER BEARING DIFFERENTIAL RH	1
2	D10541480.9	BEARING BALL 6011	1
3	D86500030.9	WASHER M8 SPRING LOCK	6
4	D82500080.9	SCREW M8X1.25X25-8.8 HEX HEAD	6

TABLE-73
HOUSING REAR AXLE RH SUBASSEMBLY

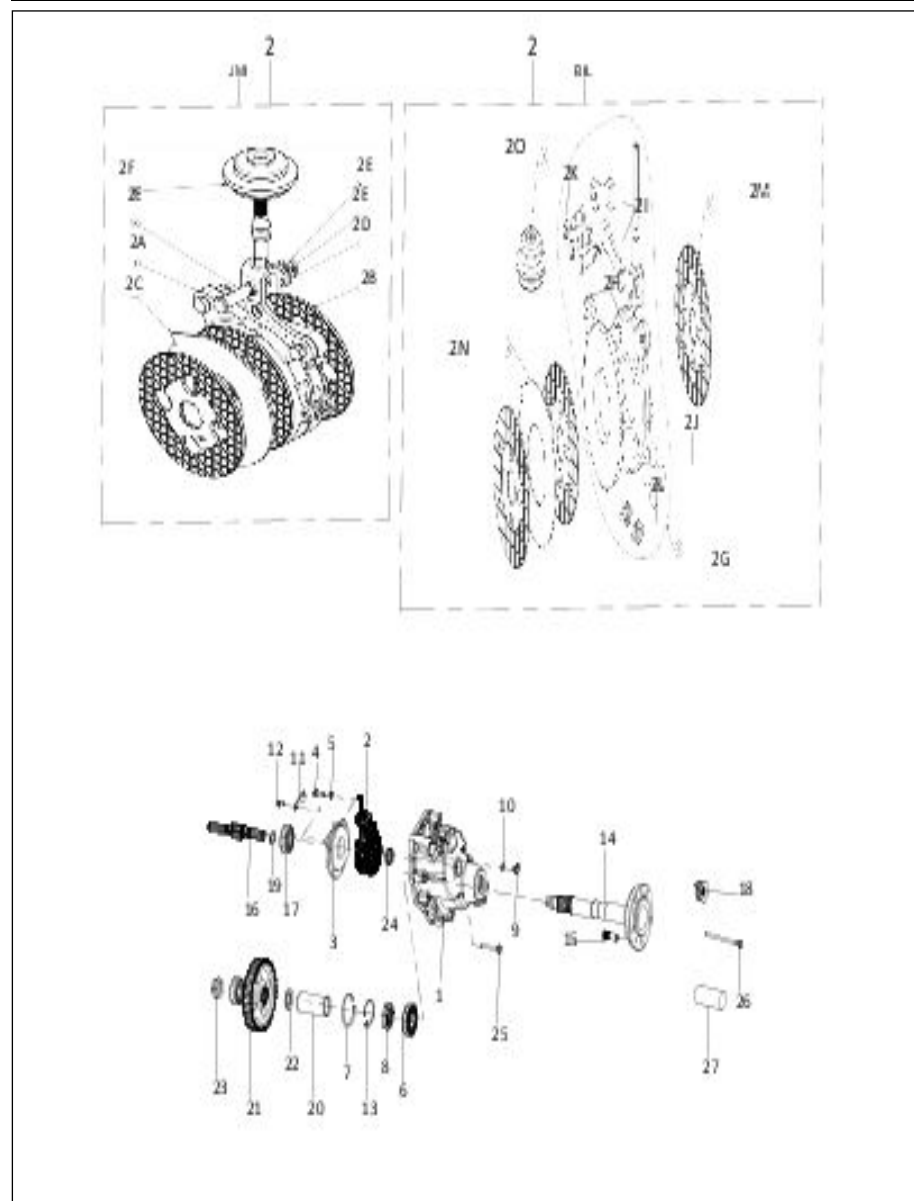


TABLE-73
HOUSING REAR AXLE RH SUBASSEMBLY

Fig. No.	Part No.	Description	Qty
1	D10777560BA.9	HOUSING REAR AXLE RH	1
2	D10507990AD.9	BRAKE ASSEMBLY REAR WHEEL 4.5 (WET TYPE)	1
3	D10537790.9	HOUSING BRAKE INNER RH	1
4	D81503880.9	BOLT M10X1.50X30-10.9 HEX HEAD (16 A/F)	5
5	D86500090.9	WASHER M10 SPRING LOCK	16
6	D10618950.9	BEARING BALL 6209 CN	1
7	D90500060.9	CIRCLIP B85X2.5 N	1
8	D93601420.9	SEAL OIL 45X70X14.0	1
9	D10006570.9	PLUG DRAIN M14X1.5X10	1
10	D10513210.9	WASHER BONDED SEAL 14.7X22.0X1.5	1
11	D10580870.9	WASHER LOCK BULL PINION SHAFT BEARING	1
12	D82501060.9	SCREW M8X1.25X18-10.9 HEX HEAD	2
13	D90500470.9	CIRCLIP B70X1.5 N	1
14	D10527500.9	SHAFT AXLE REAR	1
15	D10579620.9	BOLT M16X1.5X48-10.9 REAR WHEEL	5
16	D10536470.9	SHAFT BULL PINION RH (Z-9)	1
17	D10533260.9	BEARING BALL 6306	1
18	D10541090.9	SLEEVE REAR AXLE DIFFERENTIAL LOCK	1
19	D90000560.9	CIRCLIP A30.0X2.0 H	1
20	D10527440AB.9	SPACER BULL GEAR LOCKING	1
21	D10527450.9	GEAR DRIVEN FINAL DRIVE REDUCTION (Z-53)	1
22	D10527460.9	SPACER AXLE SHAFT INNER	1
23	D10536480.9	NUT CRIMPING M30X1.5	1
24	D10580860.9	PLUG AXLE HOUSING REAR	1
25	D81503420.9	BOLT M10X1.50X70-10.9 HEX HEAD	10
26	D81503890.9	BOLT M10X1.50X143-10.9 HEX HEAD (16 A/F)	1
27	D95013250.9	SEALANT LIQUID ANAEROBIC (HIGHER STRENGTH)	9
28	D95000750.9	LOCTITE L-515	AR
29	D10541090.9	SLEEVE REAR AXLE DIFFERENTIAL LOCK	1
2A	D11086040AA.9	ACTUATING UNIT BRAKE ASSEMBLY (M/S JMI PART NO. NB570)	2
2B	D11086080AA.9	DISC FRICTION BRAKE ASSEMBLY (M/S JMI PART NO. NB29067)	6
2C	D11086100AA.9	DISC INTERMEDIATE BRAKE ASSEMBLY (M/S JMI PART NO. NB30048)	2
2D	D11086120AA.9	PULL ROD BRAKE ACTUATOR ASSEMBLY (M/S JMI PART NO. NB13029)	2
2E	D12046880AA.9	KIT BRAKE PARTS (M/S JMI PART NO. KT50037)	2
2F	D11086170AA.9	BOOT RUBBER BRAKE ASSEMBLY (M/S JMI PART NO. NB12005)	2
2G	D10558350.9	ACTUATING UNIT ASSY	2
2H	D10558380.9	KIT ACTUATOR ASSEMBLY (M/S BIL PART NO 29932789)	2
2I	D10558390.9	KIT LINK BRAKE ASSEMBLY (M/S BIL PART NO 29932790)	2
2J	D10558400.9	KIT BALL BRAKE ASSEMBLY (M/S BIL PART NO 29932791)	2
2K	D10558410.9	KIT PIVOT PIN BRAKE ASSEMBLY (M/S BIL PART NO 29932369)	4

TABLE-73
HOUSING REAR AXLE RH SUBASSEMBLY

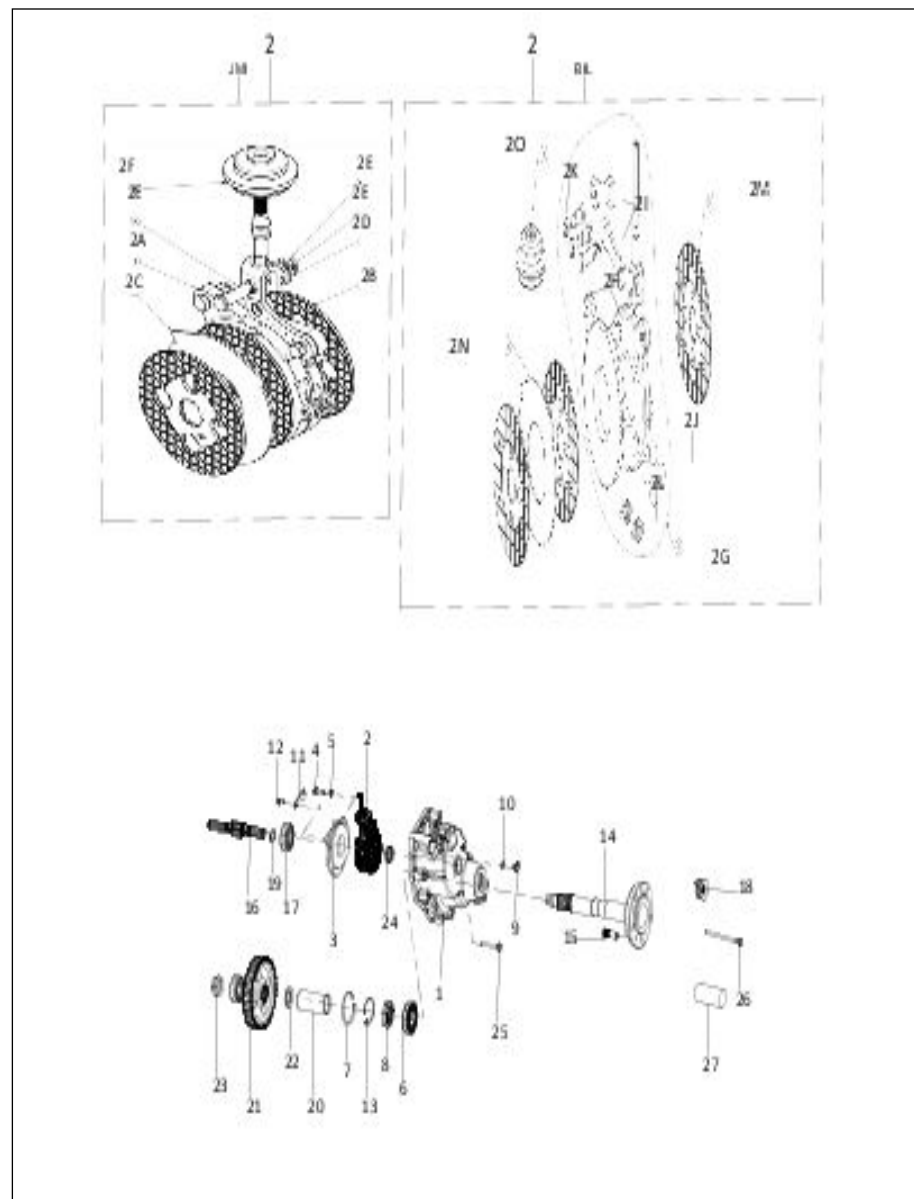


TABLE-73
HOUSING REAR AXLE RH SUBASSEMBLY

Fig. No.	Part No.	Description	Qty
2L	D10558420.9	KIT SPRING BRAKE ASSEMBLY (M/S BIL PART NO 29920260)	2
2M	D10558360.9	FRICTION DISK	6
2N	D10558370.9	DISK	2
2O	D10181170.9	BOOT EXTERNAL REAR WHEEL BRAKE LINKAGE (DIA 50)	2

TABLE-74
HOUSING REAR AXLE LH SUBASSEMBLY

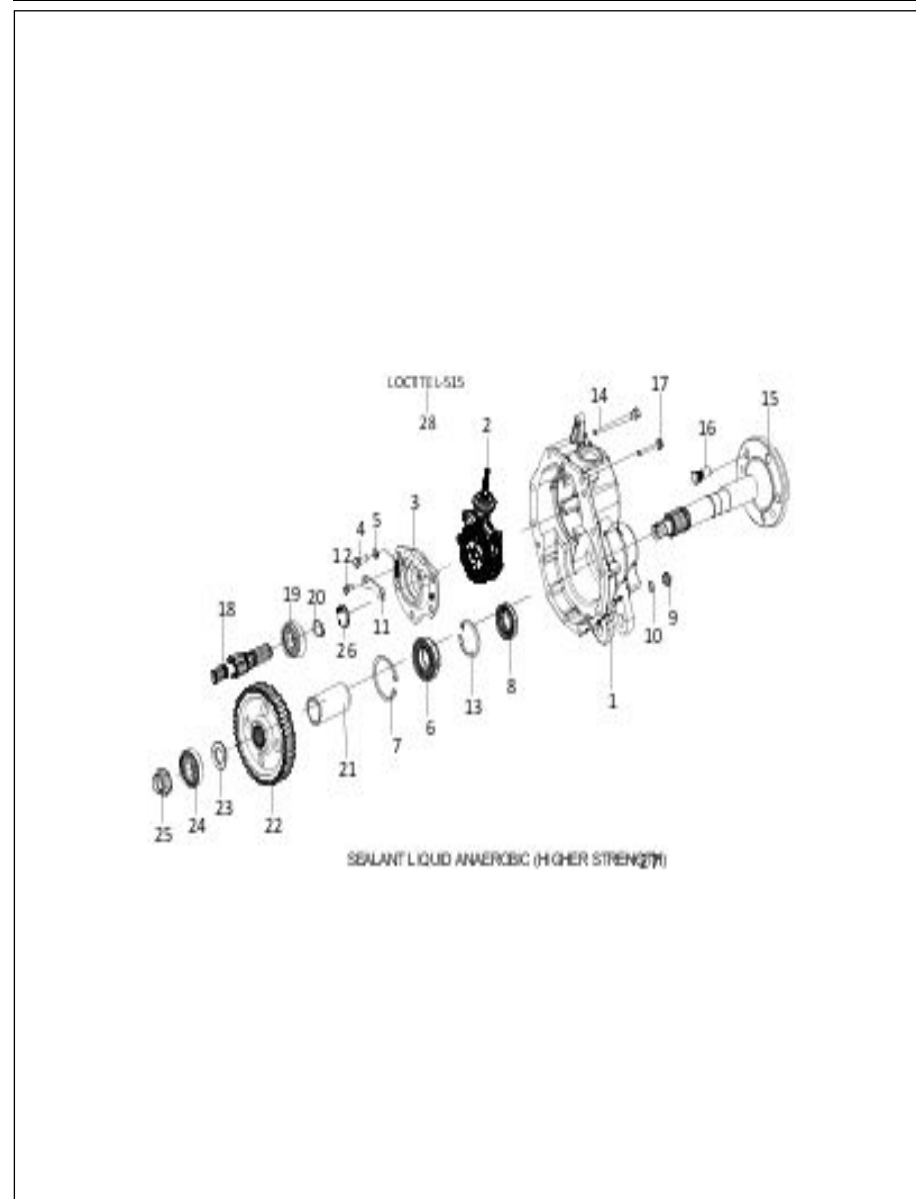


TABLE-74
HOUSING REAR AXLE LH SUBASSEMBLY

Fig. No.	Part No.	Description	Qty
1	D10777550BA.9	HOUSING REAR AXLE LH	1
2	D10507990AD.9	BRAKE ASSEMBLY REAR WHEEL 4.5 (WET TYPE)	1
3	D10543900.9	HOUSING BRAKE INNER LH	1
4	D81503880.9	BOLT M10X1.50X30-10.9 HEX HEAD (16 A/F)	5
5	D86500090.9	WASHER M10 SPRING LOCK	16
6	D10618950.9	BEARING BALL 6209 CN	1
7	D90500060.9	CIRCLIP B85X2.5 N	1
8	D93601420.9	SEAL OIL 45X70X14.0	1
9	D10006570.9	PLUG DRAIN M14X1.5X10	1
10	D10513210.9	WASHER BONDED SEAL 14.7X22.0X1.5	1
11	D10580870.9	WASHER LOCK BULL PINION SHAFT BEARING	1
12	D82501060.9	SCREW M8X1.25X18-10.9 HEX HEAD	2
13	D90500470.9	CIRCLIP B70X1.5 N	1
14	D81503890.9	BOLT M10X1.50X143-10.9 HEX HEAD (16 A/F)	1
15	D10527500.9	SHAFT AXLE REAR	1
16	D10579620.9	BOLT M16X1.5X48-10.9 REAR WHEEL	5
17	D81503420.9	BOLT M10X1.50X70-10.9 HEX HEAD	10
18	D10536460.9	SHAFT BULL PINION LH (Z-9)	1
19	D10533260.9	BEARING BALL 6306	1
20	D90000560.9	CIRCLIP A30.0X2.0 H	1
21	D10527440AB.9	SPACER BULL GEAR LOCKING	1
22	D10527450.9	GEAR DRIVEN FINAL DRIVE REDUCTION (Z-53)	1
23	D10527460.9	SPACER AXLE SHAFT INNER	1
24	D10533260.9	BEARING BALL 6306	1
25	D10536480.9	NUT CRIMPING M30X1.5	1
26	D10580860.9	PLUG AXLE HOUSING REAR	1
27	D95013250.9	SEALANT LIQUID ANAEROBIC (HIGHER STRENGTH)	9
28	D95000750.9	LOCTITE L-515	AR

TABLE-75
PTO REAR SHIFTING ASSEMBLY (HST)

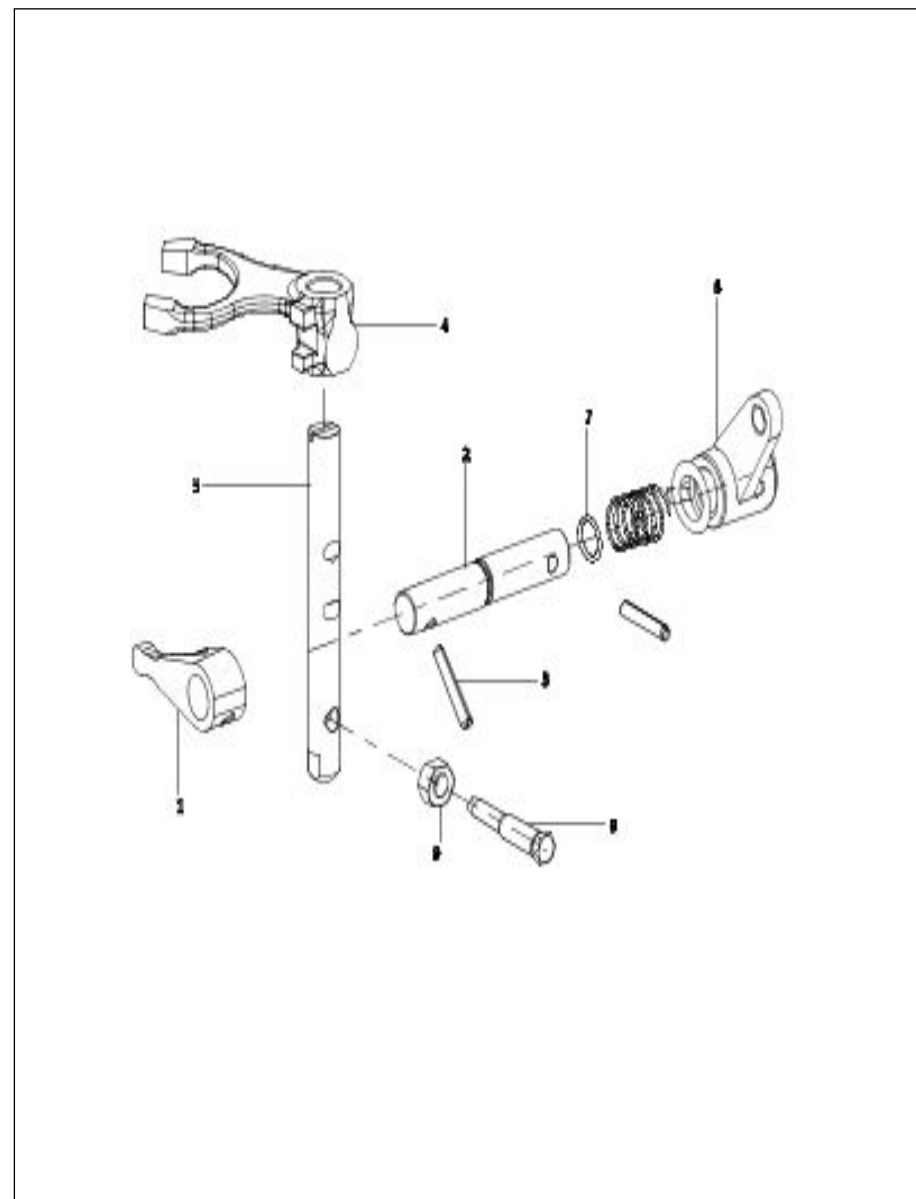


TABLE-75
PTO REAR SHIFTING ASSEMBLY (HST)

Fig. No.	Part No.	Description	Qty
1	D10599710.9	LEVER REAR PTO COMPACT	1
2	D10599700.9	SHAFT REAR PTO LEVER COMPACT	1
3	D10683440.9	PIN 6.0X35 SPRING DOWEL COMBINATION TYPE	2
4	D10578880AC.9	FORK PTO SHIFTING	1
5	D10578910.9	RAIL MID PTO SHIFTER	1
6	D10556870.9	LEVER AND HUB ASSEMBLY GEAR SHIFTING TRANSMISSION (PTO)	1
7	D10007720.9	SEAL O RING 2.00X14.00	1
8	D10543890.9	SCREW PTO RAIL LOCK	1
9	D83500090.9	NUT M10X1.50-8 HEX	1

160

TABLE-76
PTO MID SHIFTING ASSEMBLY

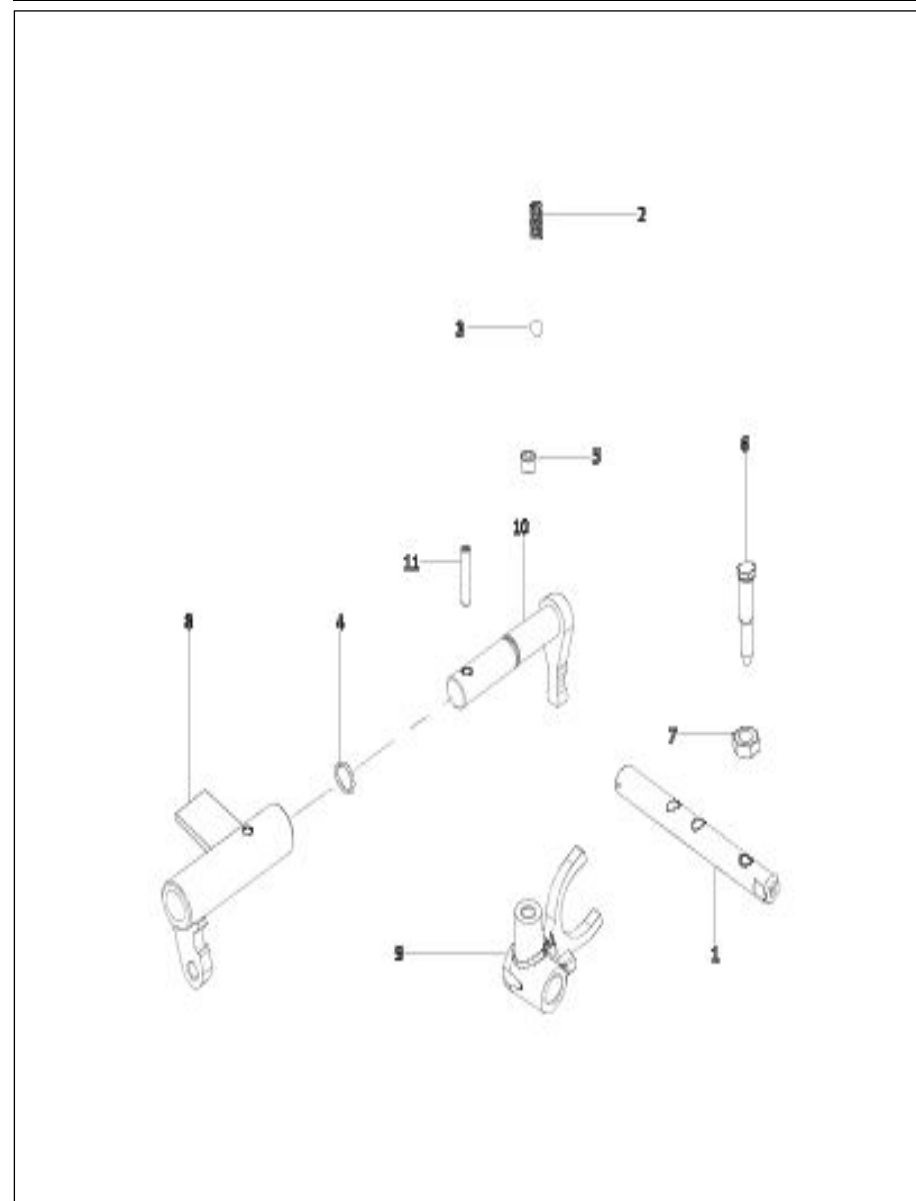


TABLE-76
PTO MID SHIFTING ASSEMBLY

Fig. No.	Part No.	Description	Qty
1	D10578910.9	RAIL MID PTO SHIFTER	1
2	D10543910AB.9	SPRING PTO SHIFTING	1
3	D10006740.9	BALL 5/16" SNAP LOCK	1
4	D10007720.9	SEAL O RING 2.00X14.00	1
5	D82501100.9	SCREW GRUB M10X1.5X10 - 45H	1
6	D10543890.9	SCREW PTO RAIL LOCK	1
7	D83500090.9	NUT M10X1.50-8 HEX	1
8	D11544840AB.9	LEVER AND HUB ASSEMBLY GEAR SHIFTING TRANSMISSION (MID PTO)	1
9	D10578890AB.9	FORK MID PTO SHIFTER	1
10	D10541370.9	LEVER PTO SHIFTING	1
11	D10683440.9	PIN 6.0X35 SPRING DOWEL COMBINATION TYPE	1

TABLE-77
RETAINER PTO BEARING AND SEAL ASSEMBLY

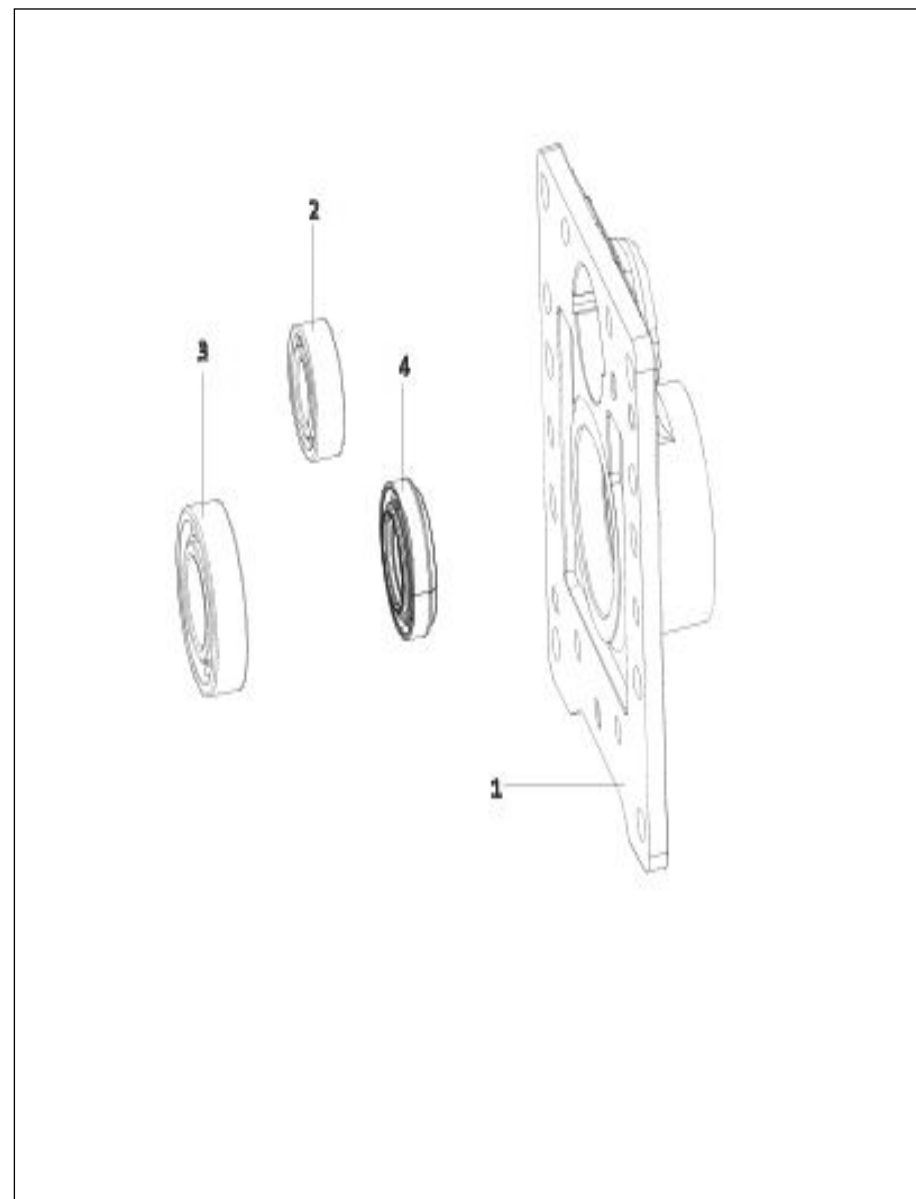


TABLE-77
RETAINER PTO BEARING AND SEAL ASSEMBLY

Fig. No.	Part No.	Description	Qty
1	D10541340.9	RETAINER PTO OUTPUT SHAFT	1
2	D10541490.9	BEARING ROLLER NJ 205	1
3	D10002140.9	BEARING BALL PTO SHAFT REAR AXLE	1
4	D10452820AD.9	SEAL OIL 35X60X14.5 PTO OUTPUT SHAFT	1

TABLE-78
GEAR AND SHAFT PTO SUBASSEMBLY (HST)

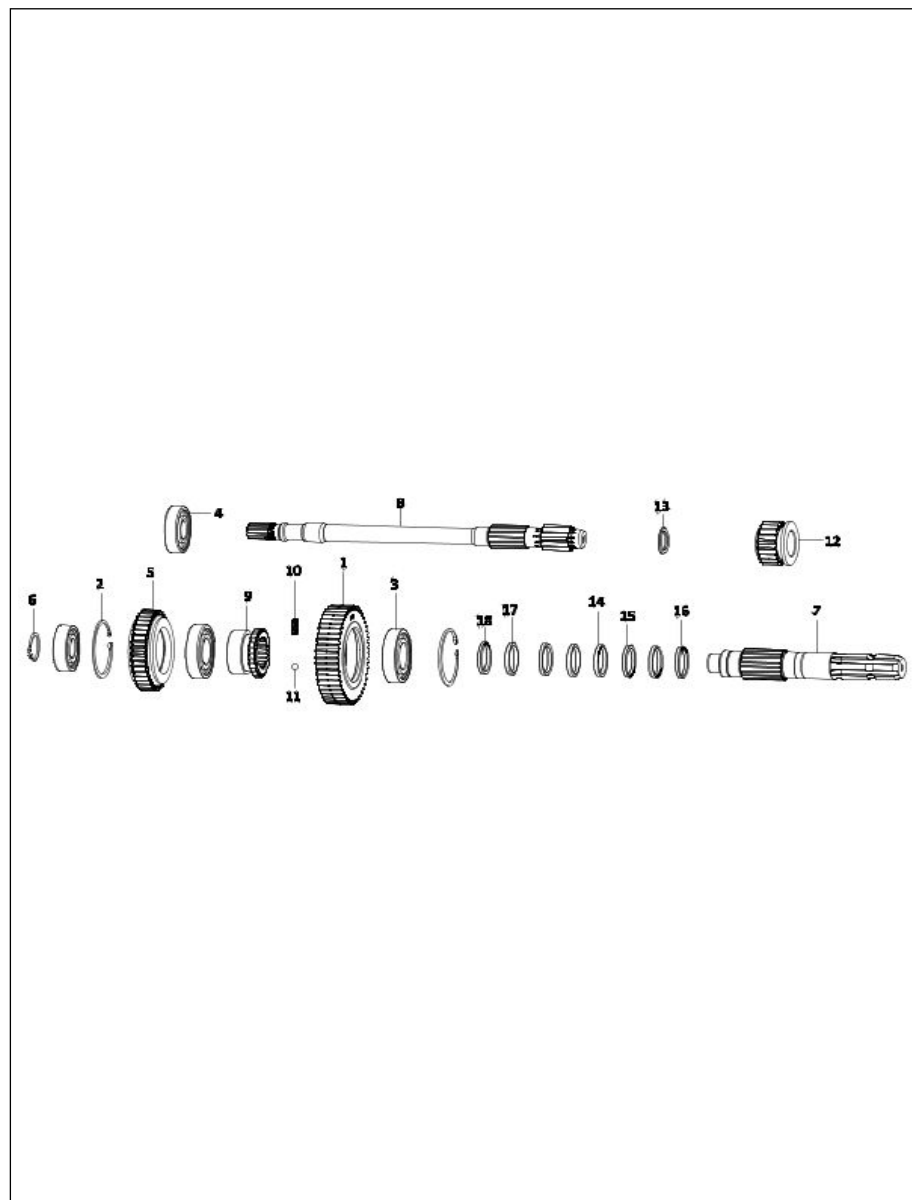


TABLE-78
GEAR AND SHAFT PTO SUBASSEMBLY (HST)

Fig. No.	Part No.	Description	Qty
1	D10538850.9	GEAR PTO DRIVEN (Z-51)	1
2	D90000240.9	CIRCLIP B72X2.5 N	2
3	D10001040.9	BEARING BALL PTO COUNTERSHAFT	2
4	D10170170.9	BEARING BALL 6305	2
5	D10578860.9	GEAR MID PTO Z-41	1
6	D90000550.9	CIRCLIP A35.0X2.5 H	1
7	D10578850AB.9	SHAFT REAR PTO OUTPUT	1
8	D10578830.9	SHAFT INPUT PTO (Z-11)	1
8-1	D10578830AB.9	SHAFT INPUT PTO (Z-11)	1
9	D10578870.9	SLEEVE REAR PTO SHIFTER	1
10	D10548300AB.9	SPRING COMPRESSION GEAR (4WD)	1
11	D10006740.9	BALL 5/16" SNAP LOCK	1
12	D10578840.9	GEAR MID PTO DRIVER Z-21	1
13	D10553350.9	SPACER 35X25X3.0	1
14	D10590390.9	SPACER PTO OUTPUT SHAFT (5.1 MM)	2
15	D10590380.9	SPACER PTO OUTPUT SHAFT (5.0 MM)	2
16	D10590360.9	SPACER PTO OUTPUT SHAFT (4.8 MM)	2
17	D10590370.9	SPACER PTO OUTPUT SHAFT (4.9 MM)	2
18	D10590350.9	SPACER PTO OUTPUT SHAFT (4.7 MM)	2

TABLE-79
PTO MID DROP BOX SUBASSEMBLY

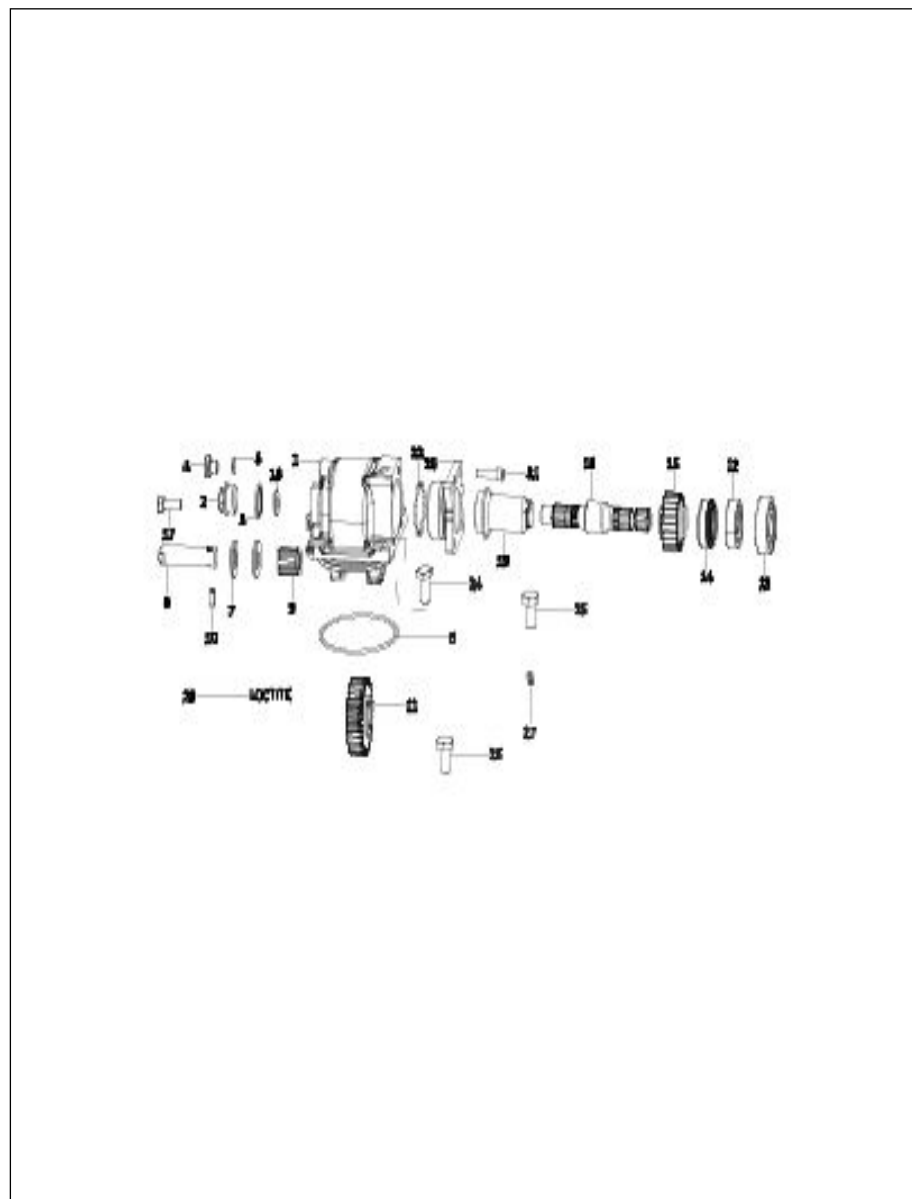


TABLE-79
PTO MID DROP BOX SUBASSEMBLY

Fig. No.	Part No.	Description	Qty
1	D10594380AD.9	HOUSING DROP BOX MID PTO	1
2	D10238120.9	PLUG M30X1.5X12 WELCH	1
3	D10598860.9	WASHER SEALING M30	1
4	D10006570.9	PLUG DRAIN M14X1.5X10	1
5	D10513210.9	WASHER BONDED SEAL 14.7X22.0X1.5	1
6	D93601230.9	SEAL O RING 3.53X104.37	1
7	D10579670.9	SPACER GEAR MID PTO	2
8	D10579680.9	SHAFT GEAR MID PTO	1
9	D10579660.9	CAGE NEEDLE ROLLER BEARING	1
10	D87500170.9	PIN 6.0X18.0 SPRING DOWEL	1
11	D10579650.9	GEAR TRANSMISSION MID PTO (Z-32)	1
12	D10541460.9	BEARING BALL 6304	1
13	D10170170.9	BEARING BALL 6305	1
14	D10312760.9	SEAL OIL DROP BOX OUTPUT SHAFT (COMBINATION TYPE)	1
15	D10579640.9	GEAR MID PTO DRIVEN Z-23	1
16	D10761720.9	SHAFT MID PTO OUTPUT	1
17	D81502150.9	BOLT M10X1.50X25-10.9 HEX HEAD	1
18	D10598870.9	WASHER 11X27X3.0 HST	1
19	D10779660.9	CAP MID PTO SHAFT REAR AXLE	1
20	D10779650.9	RETAINER SEAL MID PTO	1
21	D82500680.9	SCREW M8X1.25X30 ALLEN	4
22	D10547380.9	SEAL O RING 2.62X55.0	1
23	D95000420.9	LOCTITE 262	AR
24	D81501910.9	BOLT M12X1.75X30-10.9 HEX HEAD	4
25	D81503870.9	BOLT M10X1.50X35-10.9 HEX HEAD (16 A/F)	4
26	D81503270.9	BOLT M10X25X1.5-10.9 ALLEN	4
27	D86500090.9	WASHER M10 SPRING LOCK	4

TABLE-80
PLATE INTERMEDIATE TRANSMISSION ASSEMBLY (Z-24)

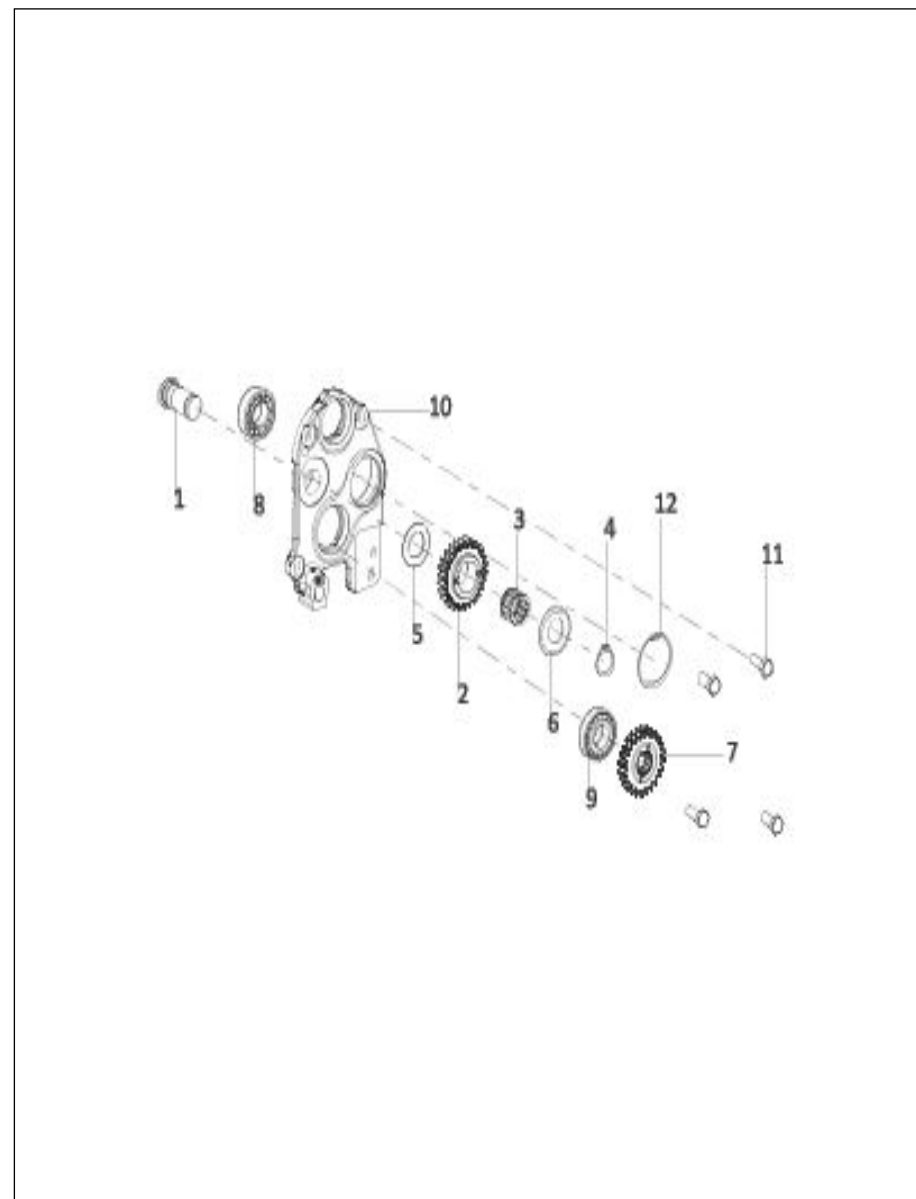


TABLE-80
PLATE INTERMEDIATE TRANSMISSION ASSEMBLY (Z-24)

Fig. No.	Part No.	Description	Qty
1	D10542270.9	SHAFT IDLER 4WD	1
2	D10542250.9	GEAR IDLER 4WD Z-26	1
3	D10106190.9	BEARING NEEDLE ROLLER (25X33X23.8)	1
4	D90000480.9	CIRCLIP A25X2.0 H	1
5	D86500190.9	WASHER 45X25X1.5	1
6	D10673250.9	WASHER THRUST GEAR 4WD IDLER	1
7	D10565690.9	GEAR DRIVER 4WD Z 24	1
8	D10541490.9	BEARING ROLLER NJ 205	1
9	D10001990.9	BEARING ASSEMBLY TRANSMISSION MAIN SHAFT REAR PILOT	1
10	D10565720.9	PLATE INTERMEDIATE TRANSMISSION Z 24	1
11	D81502150.9	BOLT M10X1.50X25-10.9 HEX HEAD	4
12	D90500390.9	CIRCLIP B52X2.0 N	1

TABLE-81
GEAR DRIVE TRAIN RANGE ASSEMBLY (9+3)

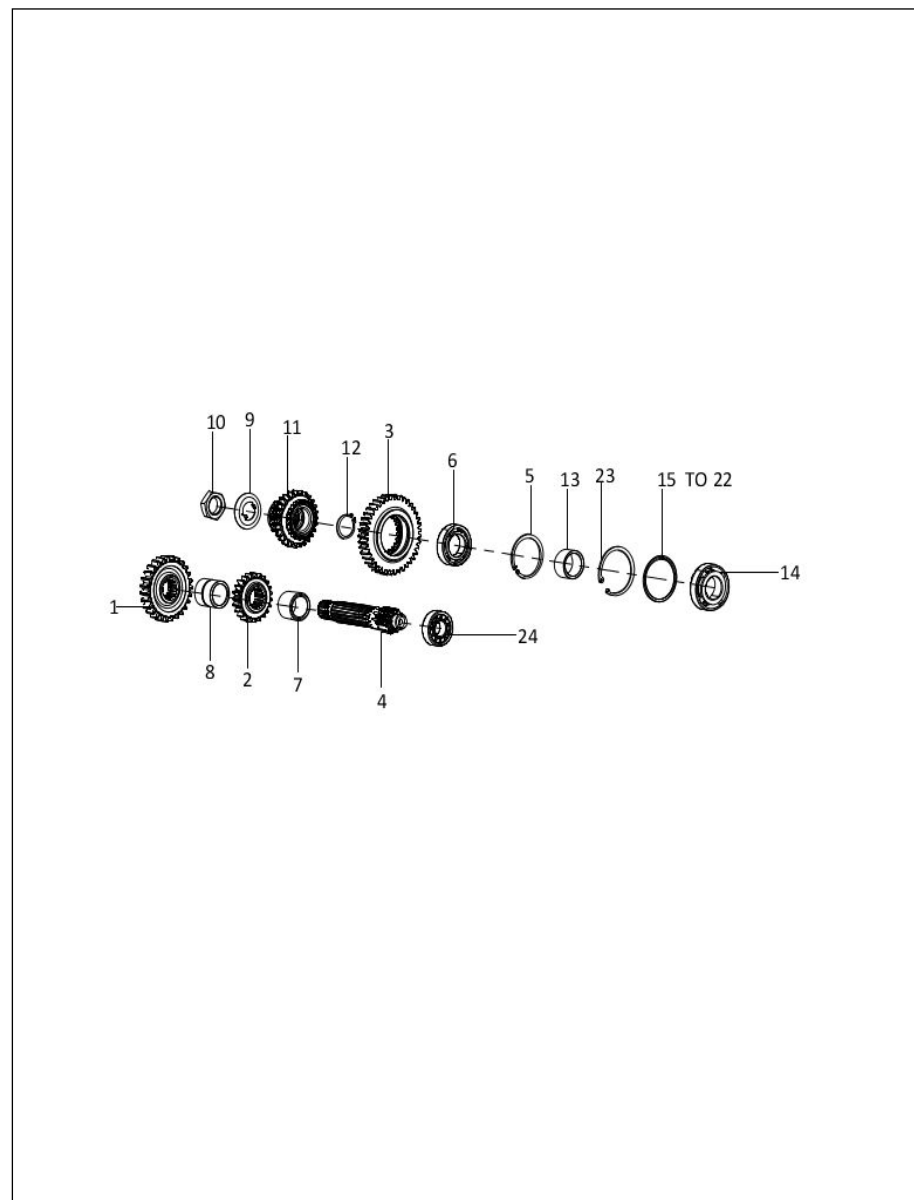


TABLE-81
GEAR DRIVE TRAIN RANGE ASSEMBLY (9+3)

Fig. No.	Part No.	Description	Qty
1	D10534980.9	GEAR DRIVING HIGH RANGE Z-27	1
2	D10534990.9	GEAR DRIVING MEDIUM RANGE Z-23	1
3	D10580560.9	GEAR DRIVEN LOW RANGE Z-32	1
4	D10580550.9	SHAFT RANGE DRIVING Z-18	1
5	D90500140.9	CIRCLIP B5X2 N INTERNAL (IS3075 PART-II)	1
6	D10541450.9	BEARING BALL 6006	1
7	D10541770AC.9	SPACER RANGE DRIVING LOW GEAR	1
8	D10541760AB.9	SPACER RANGE DRIVING HIGH GEAR	1
9	D10547280.9	WASHER TAB LOCK	1
10	D83501010.9	NUT M22X1.5 HEX HEAD (THICKNESS 8.0MM)	1
11	D10535000.9	GEAR DRIVEN HIGH-MEDIUM RANGE Z-16/27	1
11-1	D10535000AC.9	GEAR DRIVEN HIGH-MEDIUM RANGE Z-16/27	1
12	D90000080.9	CIRCLIP A30X1.5 N	1
13	D10541780.9	SPACER TAIL PINION SHAFT	1
14	D10052860.9	BEARING TAPPER ROLLER 30206	1
15	D10562420.9	SPACER GRADED PINION SHAFT (2.5 MM)	AR
16	D10562430.9	SPACER GRADED PINION SHAFT (2.6 MM)	AR
17	D10562440.9	SPACER GRADED PINION SHAFT (2.7 MM)	AR
18	D10562450.9	SPACER GRADED PINION SHAFT (2.8 MM)	AR
19	D10562460.9	SPACER GRADED PINION SHAFT (2.9 MM)	AR
20	D10562470.9	SPACER GRADED PINION SHAFT (3.0 MM)	AR
21	D10562480.9	SPACER GRADED PINION SHAFT (3.1 MM)	AR
22	D10562490.9	SPACER GRADED PINION SHAFT (3.2 MM)	AR
23	D90500320.9	CIRCLIP B62X3.0 H	1
24	D10541500.9	BEARING ROLLER NJ 204	1

TABLE-82
RANGE GEAR SHIFTING ASSEMBLY (COMPACT)

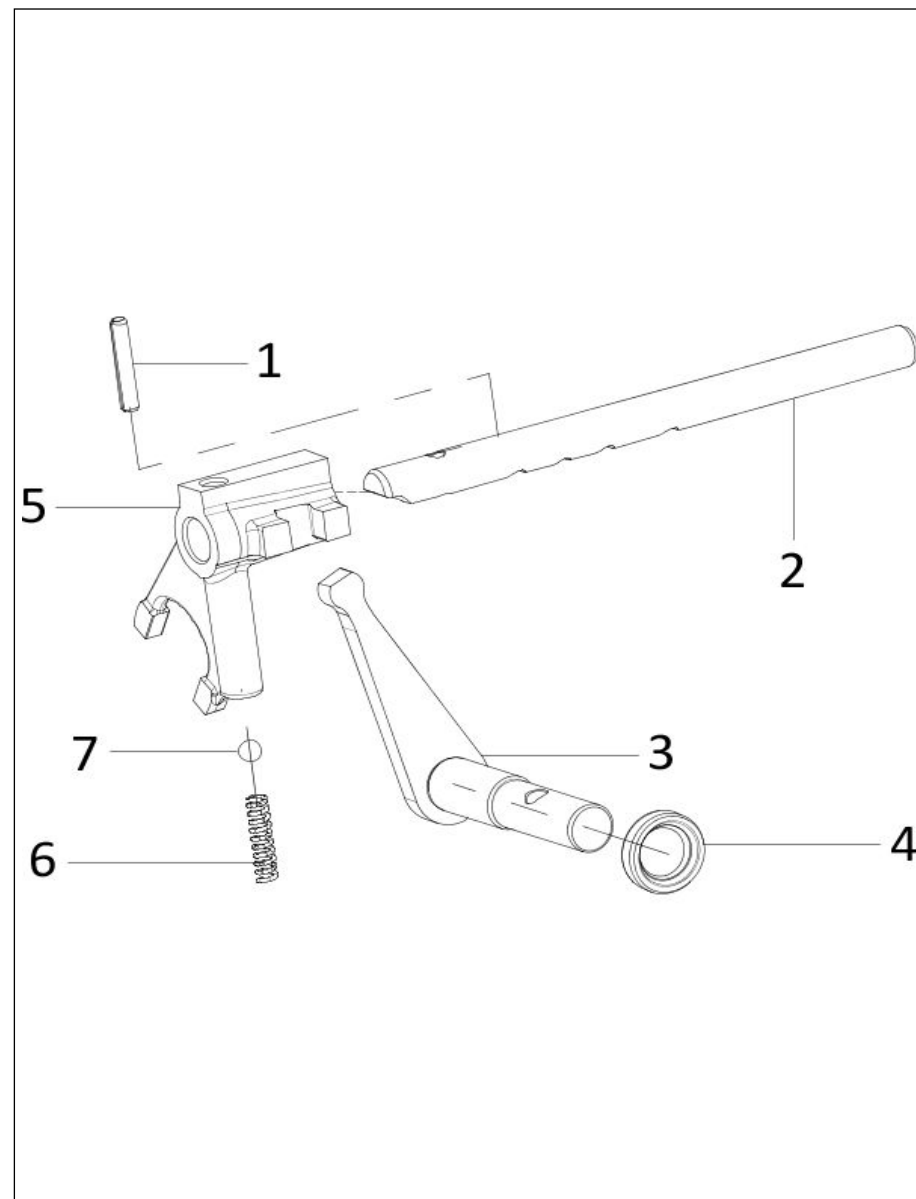


TABLE-82
RANGE GEAR SHIFTING ASSEMBLY (COMPACT)

Fig. No.	Part No.	Description	Qty
1	D87500700.9	PIN 6X30 SPRING DOWEL COMBINATION TYPE	1
2	D10535070.9	RAIL RANGE SHIFTING	1
3	D10535080.9	SHAFT AND LEVER ASSEMBLY RANGE SHIFTING	1
4	D10152510.9	SEAL OIL 20.0X30.0X7.0	1
5	D10535060AC.9	FORK RANGE SHIFTING	1
6	D10547290AD.9	SPRING RANGE GEAR SHIFT	1
7	D10006740.9	BALL 5/16" SNAP LOCK	1

TABLE-83
HARDWARE BUCKLE UP TRANSMISSION AND REAR AXLE SUBASSEMBLY

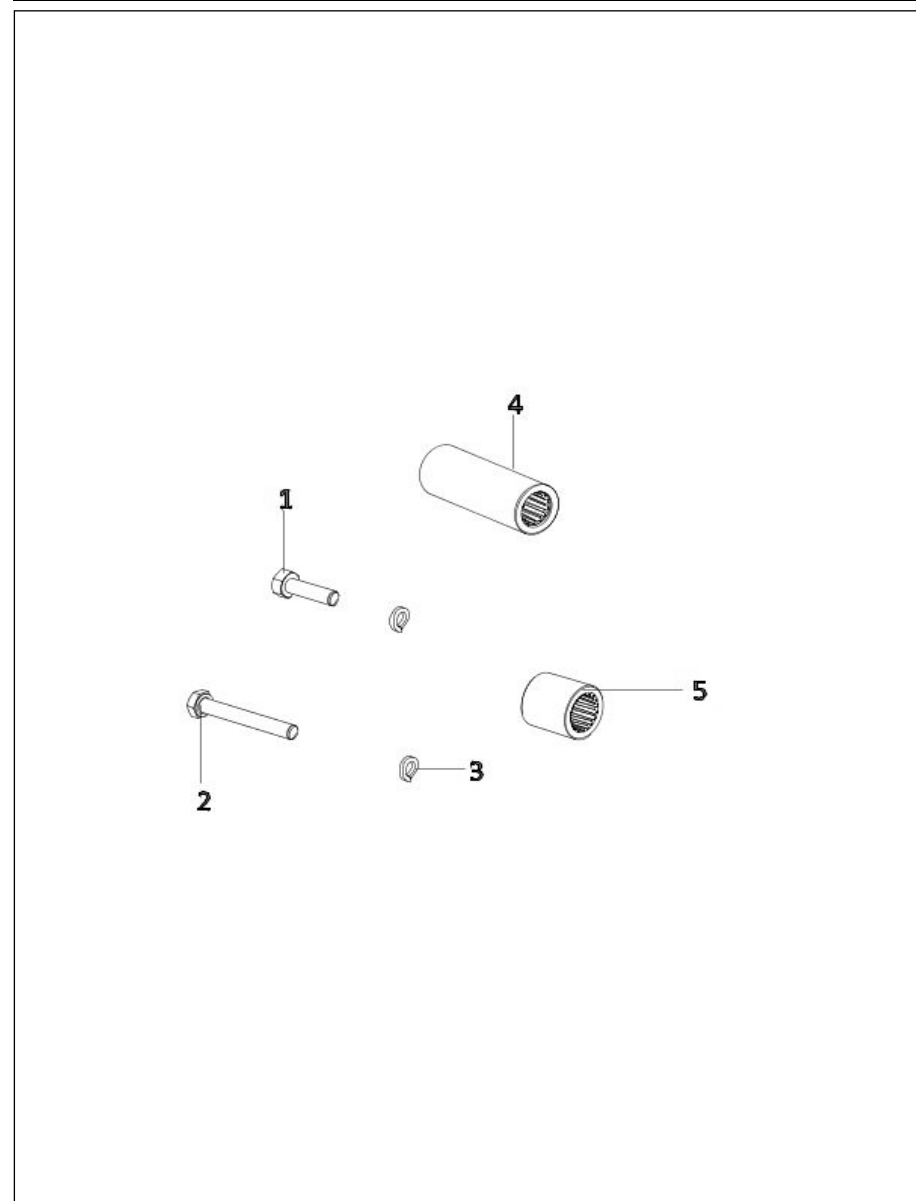


TABLE-83
HARDWARE BUCKLE UP TRANSMISSION AND REAR AXLE SUBASSEMBLY

Fig. No.	Part No.	Description	Qty
1	D81503870.9	BOLT M10X1.50X35-10.9 HEX HEAD (16 A/F)	8
2	D81503420.9	BOLT M10X1.50X70-10.9 HEX HEAD	2
3	D86500090.9	WASHER M10 SPRING LOCK	10
4	D10668700.9	COUPLING PTO INPUT SHAFT	1
5	D10547270.9	COUPLING COUNTERSHAFT SPEED AND RANGE	1
6	D95019510.9	LOCTITE 5188 (ANAEROBIC SEALANT) 50ML	5

TABLE-84
HARDWARE BUCKLE UP ADAPTOR PLATE AND BACKEND SUBASSEMBLY

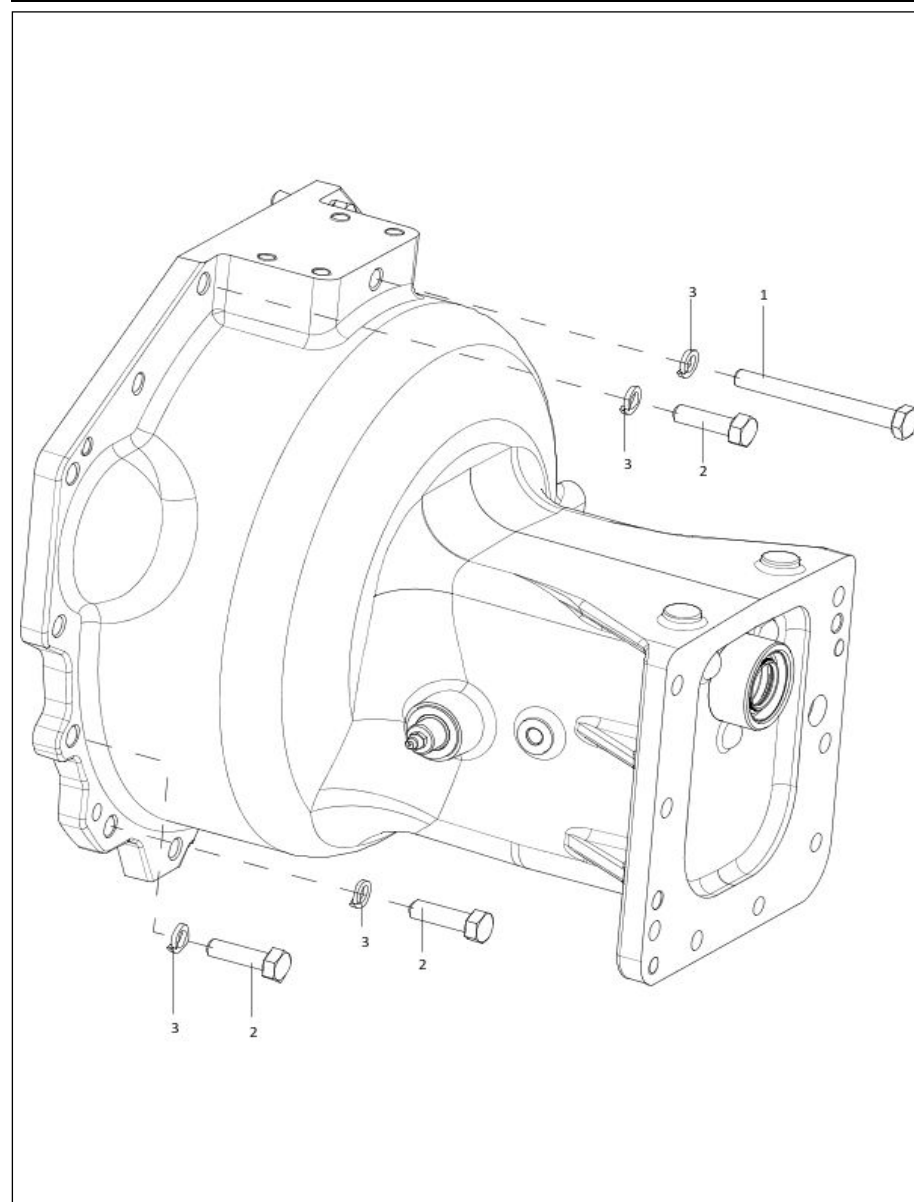


TABLE-84
HARDWARE BUCKLE UP ADAPTOR PLATE AND BACKEND SUBASSEMBLY

Fig. No.	Part No.	Description	Qty
1	D81503430.9	BOLT M10X1.50X95-10.9 HEX HEAD	1
2	D81503870.9	BOLT M10X1.50X35-10.9 HEX HEAD (16 A/F)	13
3	D86500090.9	WASHER M10 SPRING LOCK	14
4	D95019520.9	LOCTITE 5060 (SILICON SEALANT) 25ML	8

TABLE-85
HARDWARE BUCKLE UP ADAPTOR PLATE & BACKEND SUBASSEMBLY

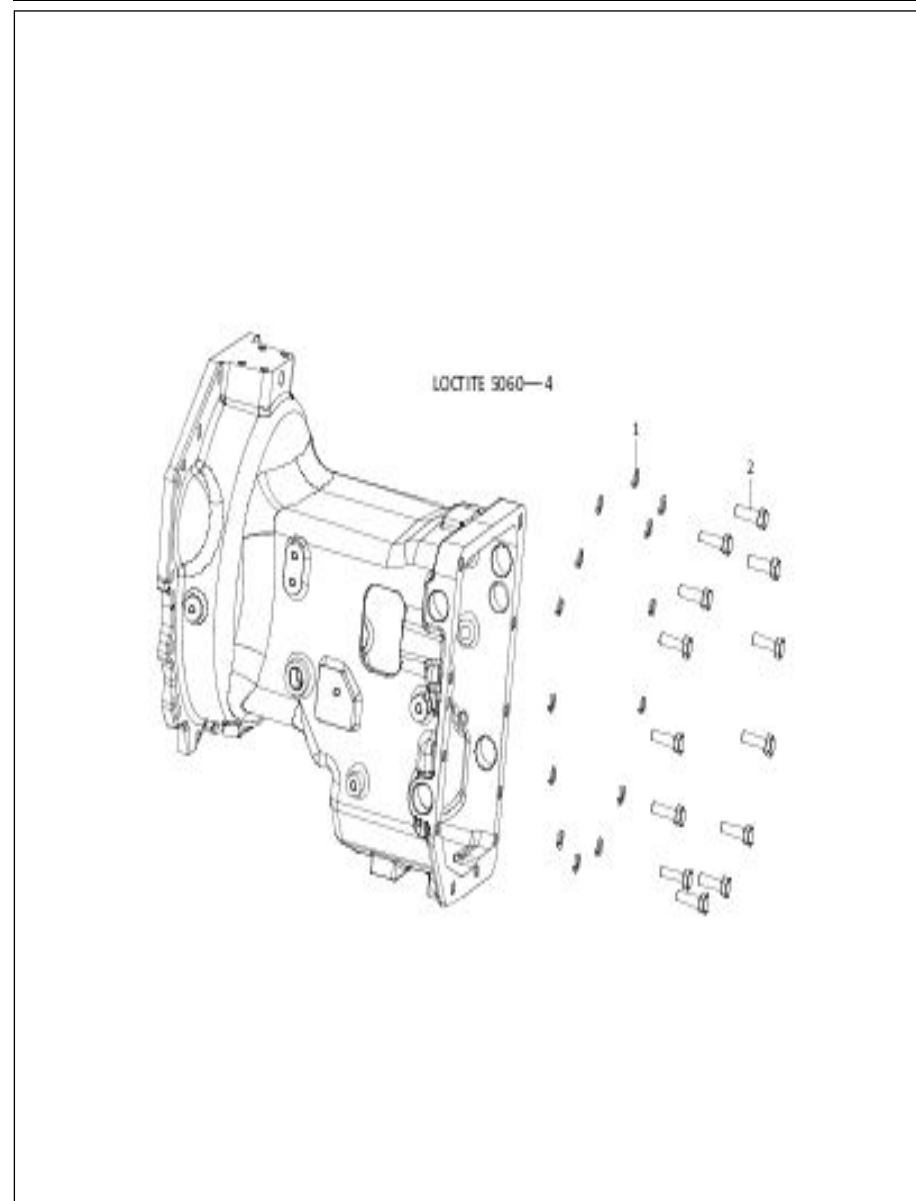


TABLE-85
HARDWARE BUCKLE UP ADAPTOR PLATE & BACKEND SUBASSEMBLY

Fig. No.	Part No.	Description	Qty
1	D86500090.9	WASHER M10 SPRING LOCK	14
2	D81503870.9	BOLT M10X1.50X35-10.9 HEX HEAD (16 A/F)	13
4	D95019520.9	LOCTITE 5060 (SILICON SEALANT) 25ML	AR

TABLE-86
DRESSED UP TRANSMISSION ASSEMBLY



TABLE-86
DRESSED UP TRANSMISSION ASSEMBLY

Fig. No.	Part No.	Description	Qty
1	D93400450.9	PIN 10X45 CLEVIS	2
2	D10552680.9	PIN LEVER 2WD 4WD ASSEMBLY	1
3	D87000160.9	PIN 1/4"X1.50" SPRING DOWEL COMBINATION TYPE	2
4	D10552400.9	BLOCK SWIVEL BRAKE PEDAL REAR	4
5	D10552410.9	LEVER BRAKE PEDAL REAR	2
6	D85500140.9	WASHER M10 FLAT	10
7	D10013460.9	PIN 1/8"X0.75" COTTER	10
8	D10552770.9	LEVER AND HUB ASSEMBLY GEAR SHIFTING TRANSMISSION (HIGH LOW MEDIUM)	1
9	D81500310.9	SCREW M8X1.25X30-8.8 HEX HEAD	2
10	D10009600.9	WASHER 8.5X22 FLAT PHOSPHATED	6
11	D10740510.9	LEVER AND HUB ASSEMBLY GEAR SHIFTING TRANSMISSION (2WD 4WD)	1
12	D10182150.9	PLUG M16X1.5X16	1
13	D10604790.9	LEVER ASSEMBLY BRAKE PEDAL REAR RH	1
14	D10604770.9	LEVER ASSEMBLY BRAKE PEDAL REAR LH	1
15	D86500030.9	WASHER M8 SPRING LOCK	6
16	D87500330.9	PIN 8X40 SPRING DOWEL COMBINATION TYPE	1
17	D10498400AB.9	SWITCH ASSEMBLY STOP LAMP	3
18	D11465640AA.9	BRACKET ASSEMBLY HIGH LOW MEDIUM AND PTO LEVER HOLDING	1
19	D82500040.9	SCREW M8X1.25X20-8.8 HEX HEAD	4
20	D10609600AB.9	BRACKET MID PTO GEAR SHIFT SWITCH HOLDING ASSEMBLY	1
21	D10614830.9	BRACKET PTO SWITCH HOLDING	1
22	D10712670AC.9	SWITCH ASSEMBLY NC TYPE (BALL TYPE)	1

TABLE-87
LINKAGE ASSEMBLY DIFFERENTIAL LOCK CONTROL

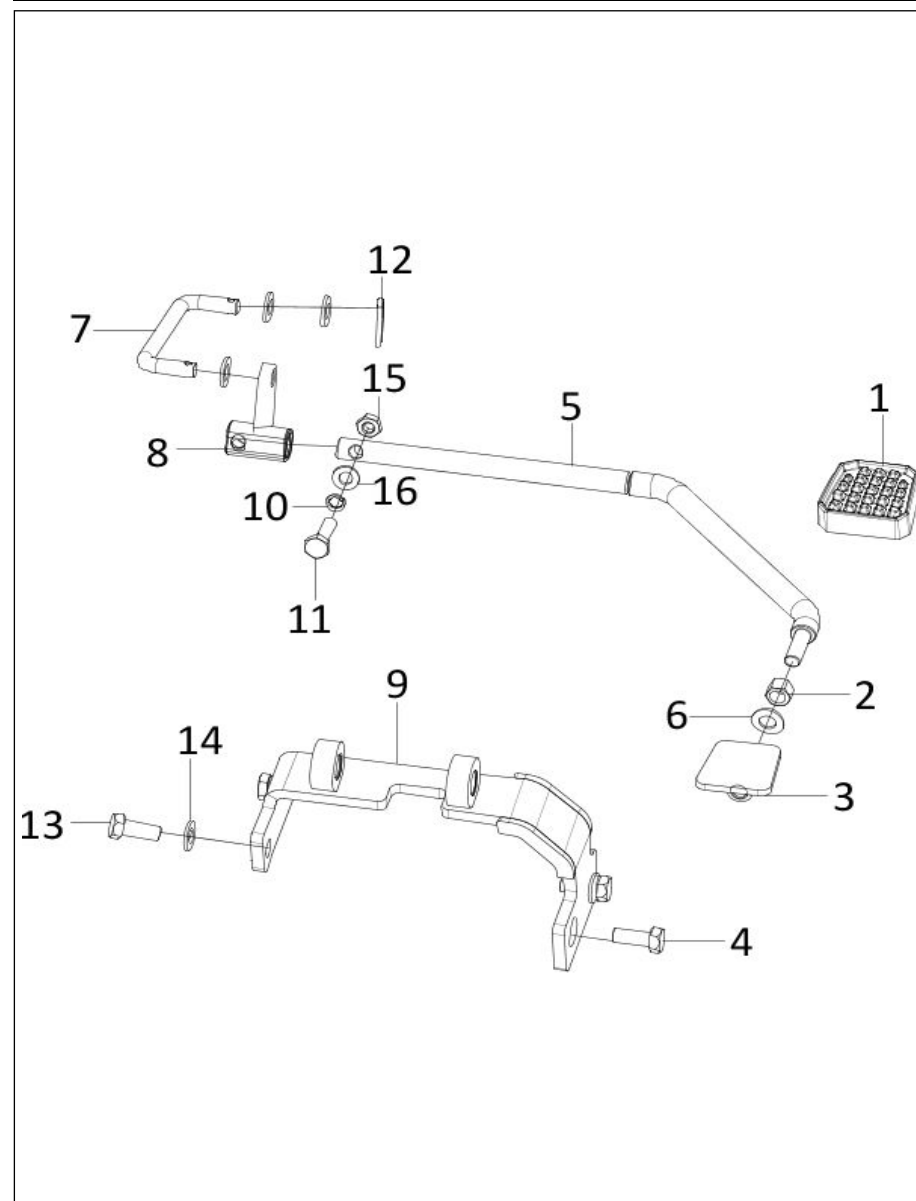


TABLE-87
LINKAGE ASSEMBLY DIFFERENTIAL LOCK CONTROL

Fig. No.	Part No.	Description	Qty
1	D10555660.9	COVER RUBBER FOOT THROTTLE PEDAL	1
2	D83500210.9	NUT M10X1.50-5 HEX	1
3	D10609630.9	PEDAL TOP ASSEMBLY DIFFERENTIAL LOCK	1
4	D81502150.9	BOLT M10X1.50X25-10.9 HEX HEAD	1
4-1	D81503680.9	BOLT M10X1.25X25-8.8 HEX HEAD	1
5	D10603280.9	PEDAL ASSEMBLY DIFFERENTIAL LOCK	1
6	D85500140.9	WASHER M10 FLAT	7
7	D10740930.9	ROD TIE ASSEMBLY DIFFERENTIAL LOCK	1
8	D10603400.9	LEVER ASSEMBLY DIFFERENTIAL LOCK	1
9	D10736390.9	BRACKET ASSEMBLY DIFFERENTIAL LOCK PEDAL MOUNTING	1
10	D86500030.9	WASHER M8 SPRING LOCK	1
11	D81500030.9	BOLT M8X1.25X35-6.6 HEX HEAD	1
12	D88400040.9	PIN 3.2X25.0 COTTER	2
13	D81500060.9	BOLT M10X1.50X30-8.8 HEX HEAD	2
14	D86500090.9	WASHER M10 SPRING LOCK	4
15	D83500110.9	NUT M8X1.25-8 HEX	1
16	D85500050.9	WASHER M8 FLAT	1

TABLE-88
LEVER MID PTO GEAR SHIFT SUBASSEMBLY

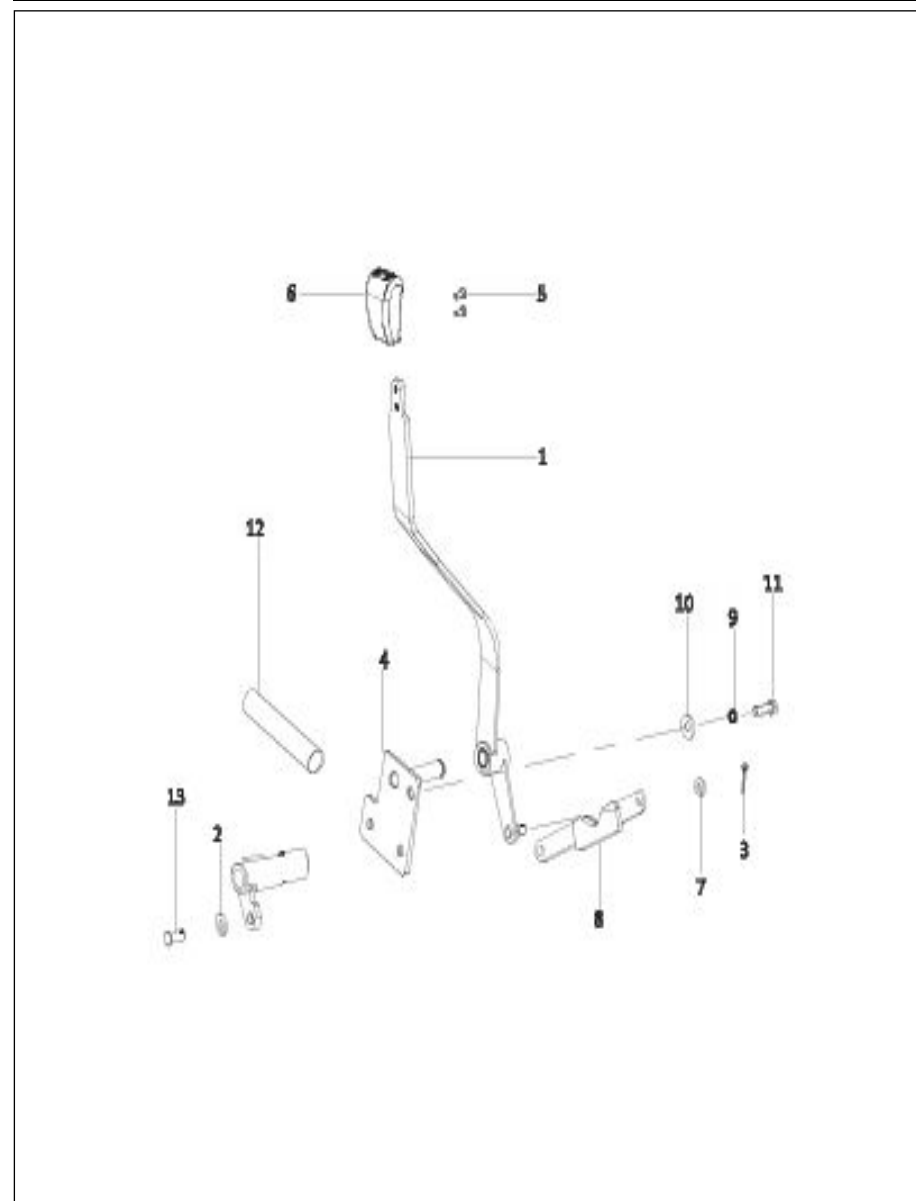


TABLE-88
LEVER MID PTO GEAR SHIFT SUBASSEMBLY

Fig. No.	Part No.	Description	Qty
1	D11544080AA.9	LEVER MID PTO GEAR SHIFT SUBASSEMBLY HST NEW LIFT	1
2	D85500140.9	WASHER M10 FLAT	1
3	D10013460.9	PIN 1/8"X0.75" COTTER	2
4	D10855770.9	LEVER HOLDING BRACKET POSITION AND DRAFT CONTROL ASSEMBLY	1
5	D82501160.9	SCREW M5X0.80X10 CROSS RECESSED PAN HEAD	2
6	D10609240.9	KNOB ASSEMBLY LEVER MID PTO GEAR SHIFT	1
7	D85500050.9	WASHER M8 FLAT	1
8	D11545180AA.9	LINK CONNECTING ACTUATING LEVER MID PTO GEAR SHIFT	1
9	D86500030.9	WASHER M8 SPRING LOCK	3
10	D10009600.9	WASHER 8.5X22 FLAT PHOSPHATED	3
11	D81500590.9	BOLT M8X1.25X25-6.6 HEX HEAD	3
12	D10666300.9	SLEEVE LEVER HAND OPERATED (PVC)	1
13	D87500600.9	PIN 10X15 CLEVIS	1

TABLE-89
LEVER POSITION CONTROL SUBASSEMBLY

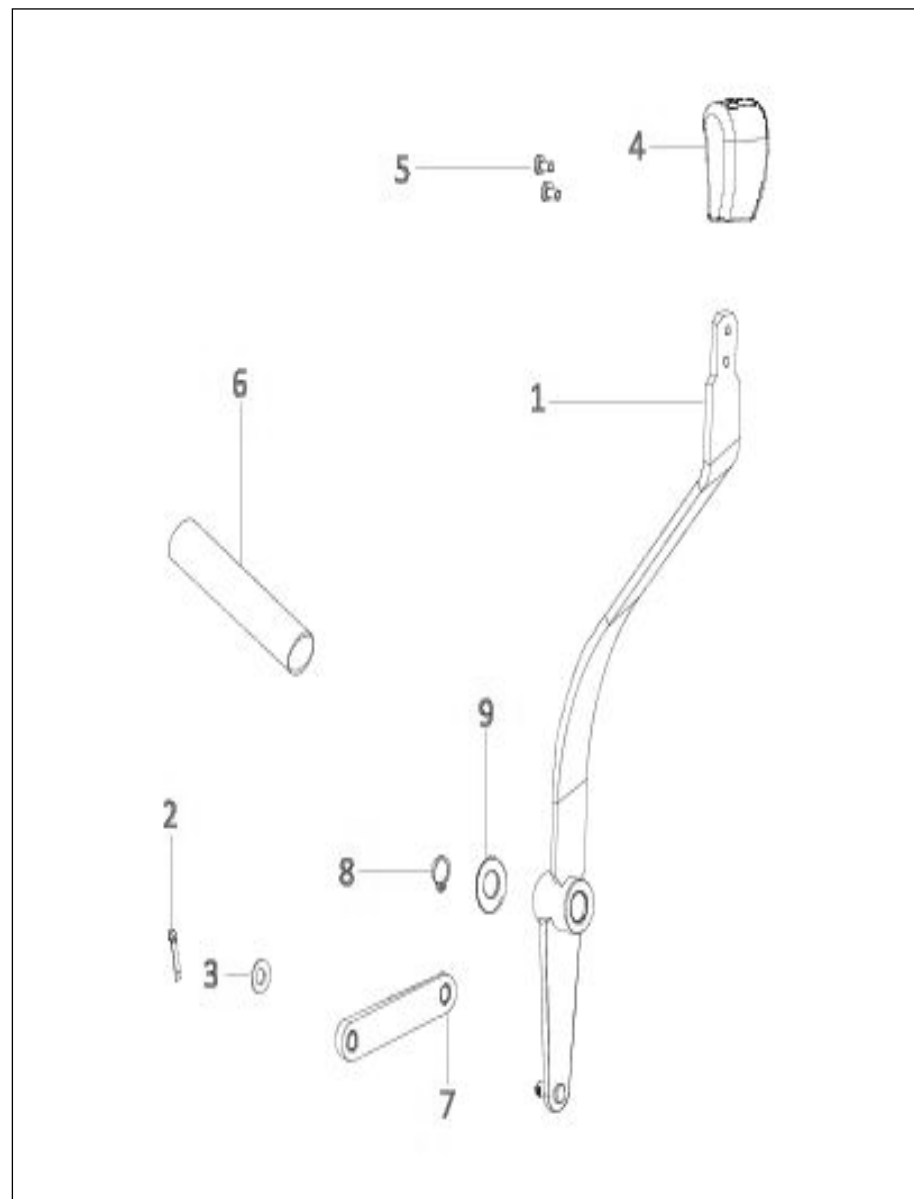


TABLE-89
LEVER POSITION CONTROL SUBASSEMBLY

Fig. No.	Part No.	Description	Qty
1	D10855800.9	LEVER AND HUB DRAFT CONTROL ASSEMBLY	1
2	D10013460.9	PIN 1/8"X0.75" COTTER	2
3	D10006010.9	WASHER 8.5X18 FRICTION	2
4	D10583360.9	KNOB ASSEMBLY LEVER POSITION CONTROL	1
5	D82501160.9	SCREW M5X0.80X10 CROSS RECESSED PAN HEAD	2
6	D10666300.9	SLEEVE LEVER HAND OPERATED (PVC)	1
7	D10855820AB.9	LINK ASSEMBLY DRAFT CONTROL	1
8	D90000180.9	CIRCLIP A15X0.90 SB	1
9	D85500730.9	WASHER 30X15X1.2 THRUST	1

TABLE-90
LEVER PTO GEAR SHIFT SUBASSEMBLY

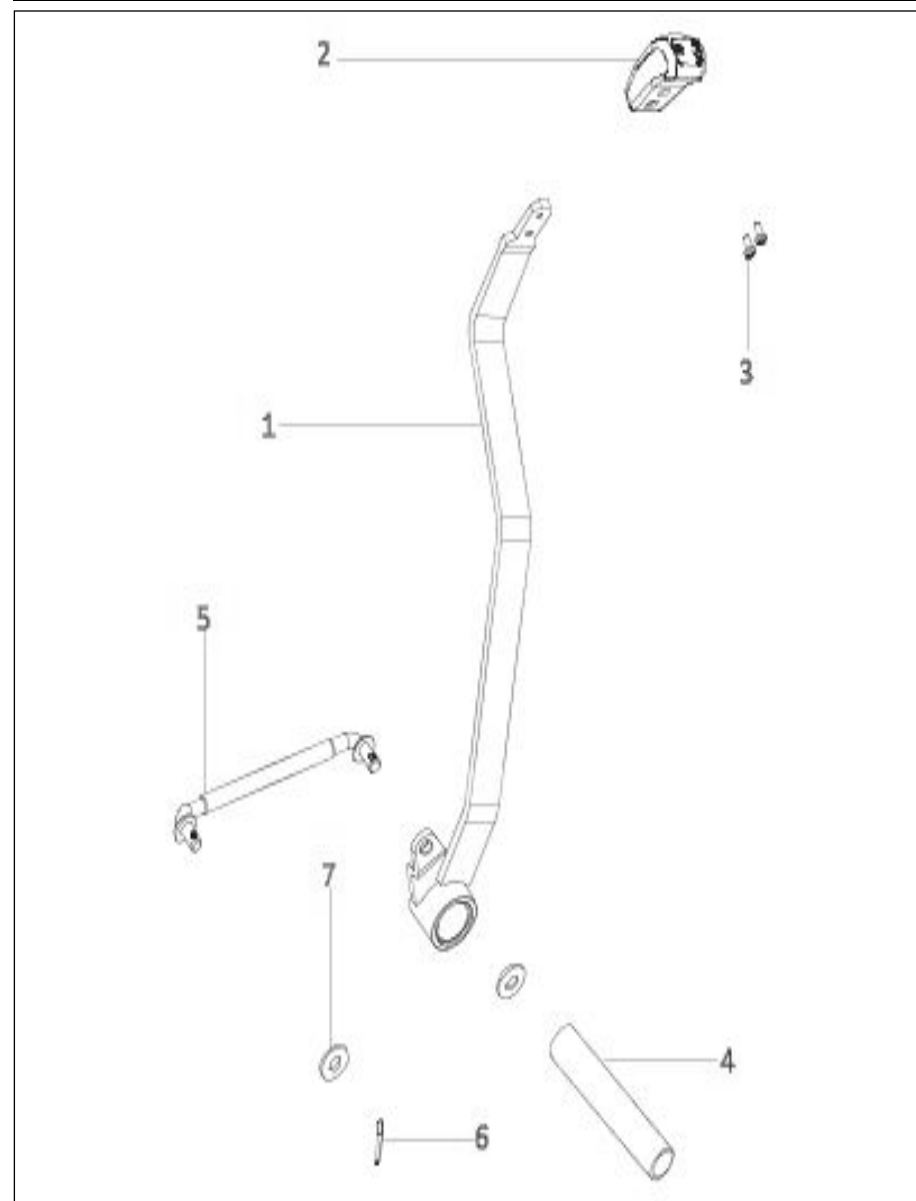


TABLE-90
LEVER PTO GEAR SHIFT SUBASSEMBLY

Fig. No.	Part No.	Description	Qty
1	D11589810AA.9	LEVER AND HUB PTO GEAR SHIFT ASSEMBLY	1
2	D10609260.9	KNOB ASSEMBLY LEVER PTO GEAR SHIFT	1
3	D82501160.9	SCREW M5X0.80X10 CROSS RECESSED PAN HEAD	2
4	D10666300.9	SLEEVE LEVER HAND OPERATED (PVC)	1
5	D10663640.9	LINKAGE ASSEMBLY ROD PTO GEAR SHIFT	1
6	D88400070.9	PIN 4.0X25.0 COTTER	1
7	D85500690.9	WASHER M10X26 FLAT	2

190

TABLE-91
LEVER CONTROL 2WD 4WD SUBASSEMBLY

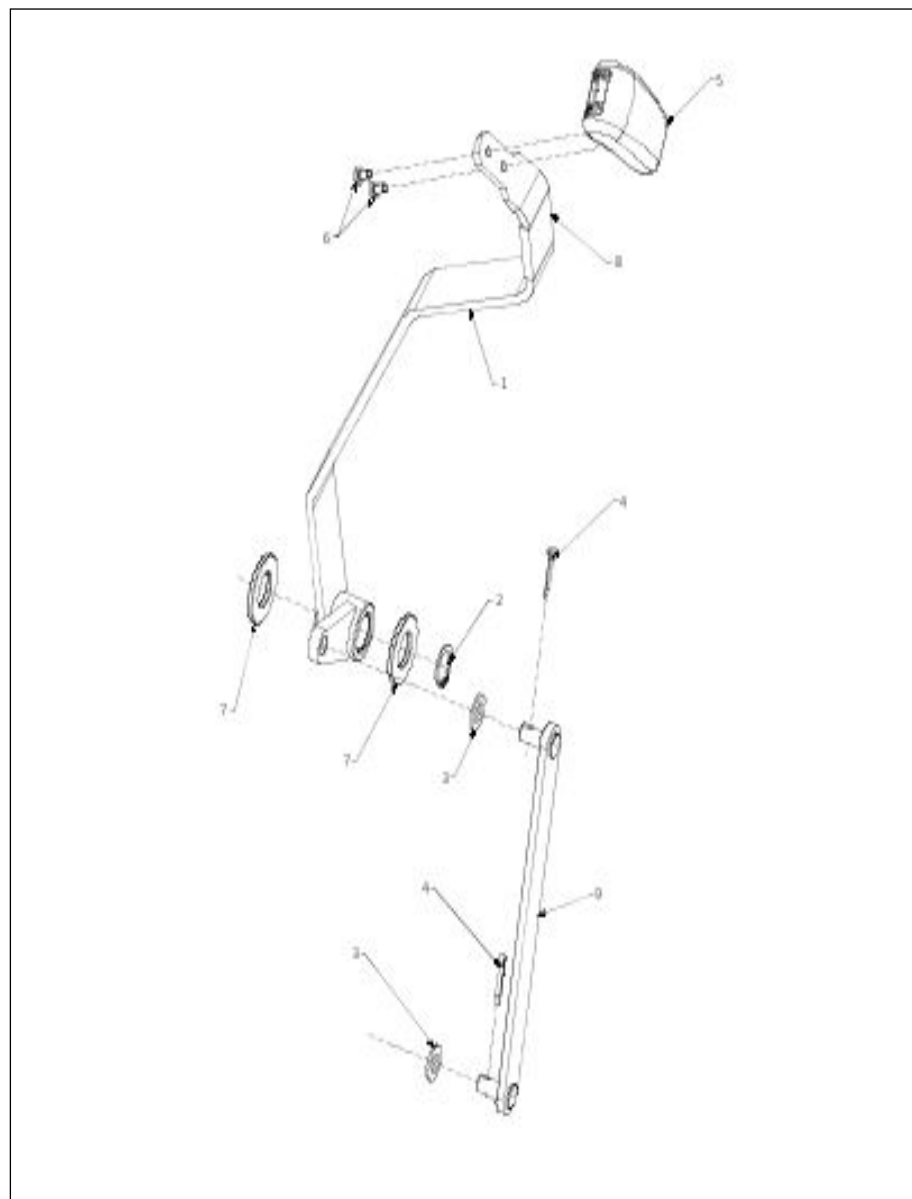


TABLE-91
LEVER CONTROL 2WD 4WD SUBASSEMBLY

Fig. No.	Part No.	Description	Qty
1	D10552610.9	LEVER AND HUB ASSEMBLY 2WD 4WD	1
2	D90000620.9	CIRCLIP A20X1.2 N	1
3	D85500140.9	WASHER M10 FLAT	2
4	D10013460.9	PIN 1/8"X0.75" COTTER	2
5	D10552710.9	KNOB ASSEMBLY LEVER 2WD 4WD	1
6	D82501160.9	SCREW M5X0.80X10 CROSS RECESSED PAN HEAD	2
7	D85500720.9	WASHER 40X20X3.5 THRUST	2
8	D10817510.9	SLEEVE LEVER HAND OPERATED (PVC)	1
9	D10739060AB.9	LINKAGE ASSEMBLY 2WD 4WD	1

TABLE-92
LEVER RANGE HIGH LOW MEDIUM GEAR SHIFT SUBASSEMBLY

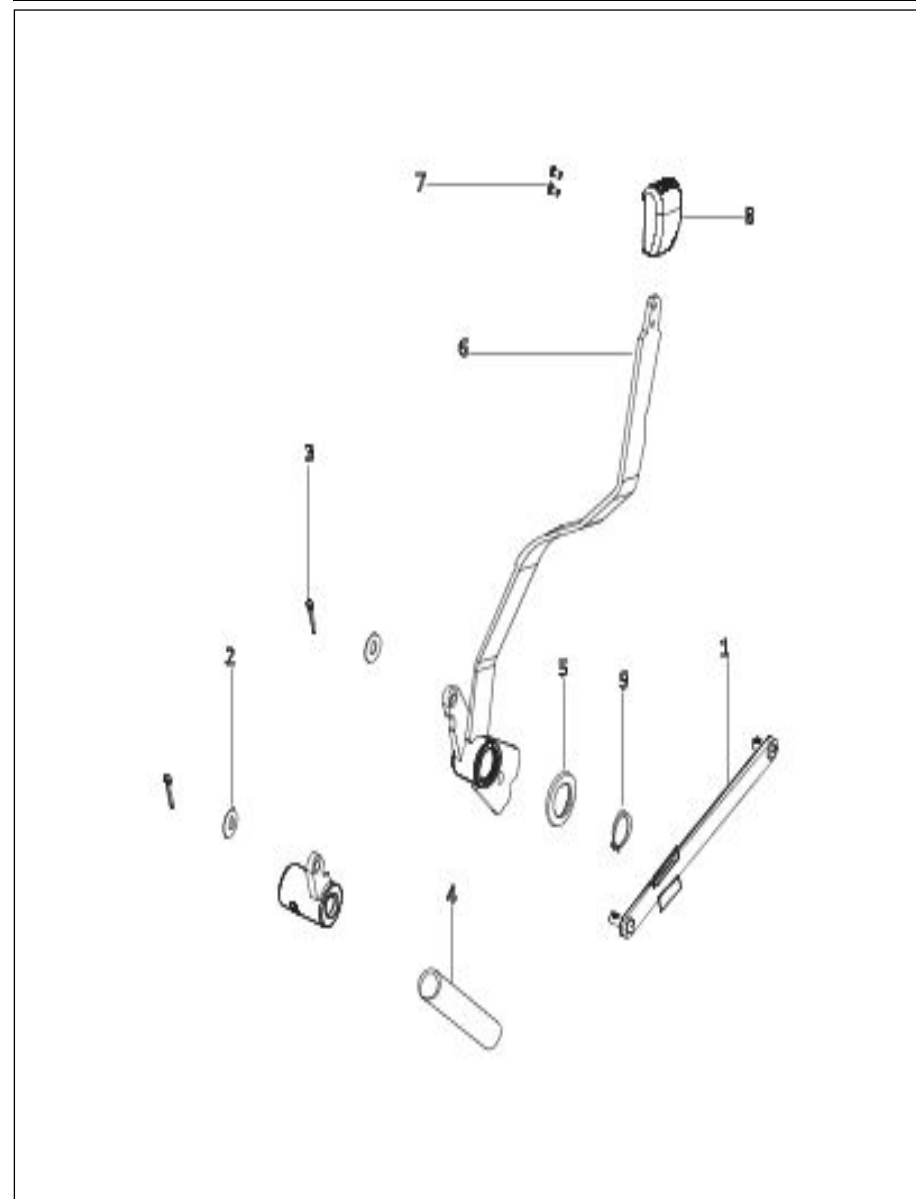


TABLE-92
LEVER RANGE HIGH LOW MEDIUM GEAR SHIFT SUBASSEMBLY

Fig. No.	Part No.	Description	Qty
1	D10663660AD.9	LINKAGE ASSEMBLY ROD PTO GEAR SHIFT	1
2	D85500690.9	WASHER M10X26 FLAT	2
3	D88400070.9	PIN 4.0X25.0 COTTER	2
4	D10817510.9	SLEEVE LEVER HAND OPERATED (PVC)	1
5	D10014630.9	WASHER NYLON 30.5X50 BRAKE SHAFT THRUST	1
6	D11465670AC.9	LEVER AND HUB RANGE HIGH LOW MEDIUM GEAR SHIFT ASSEMBLY	1
7	D82501160.9	SCREW M5X0.80X10 CROSS RECESSED PAN HEAD	2
8	D10583370.9	KNOB ASSEMBLY LEVER RANGE HIGH LOW MEDIUM GEAR SHIFT	1
9	D90000080.9	CIRCLIP A30X1.5 N	1

TABLE-93
SHAFT PROPELLER ASSEMBLY (4WD COMPACT HST)

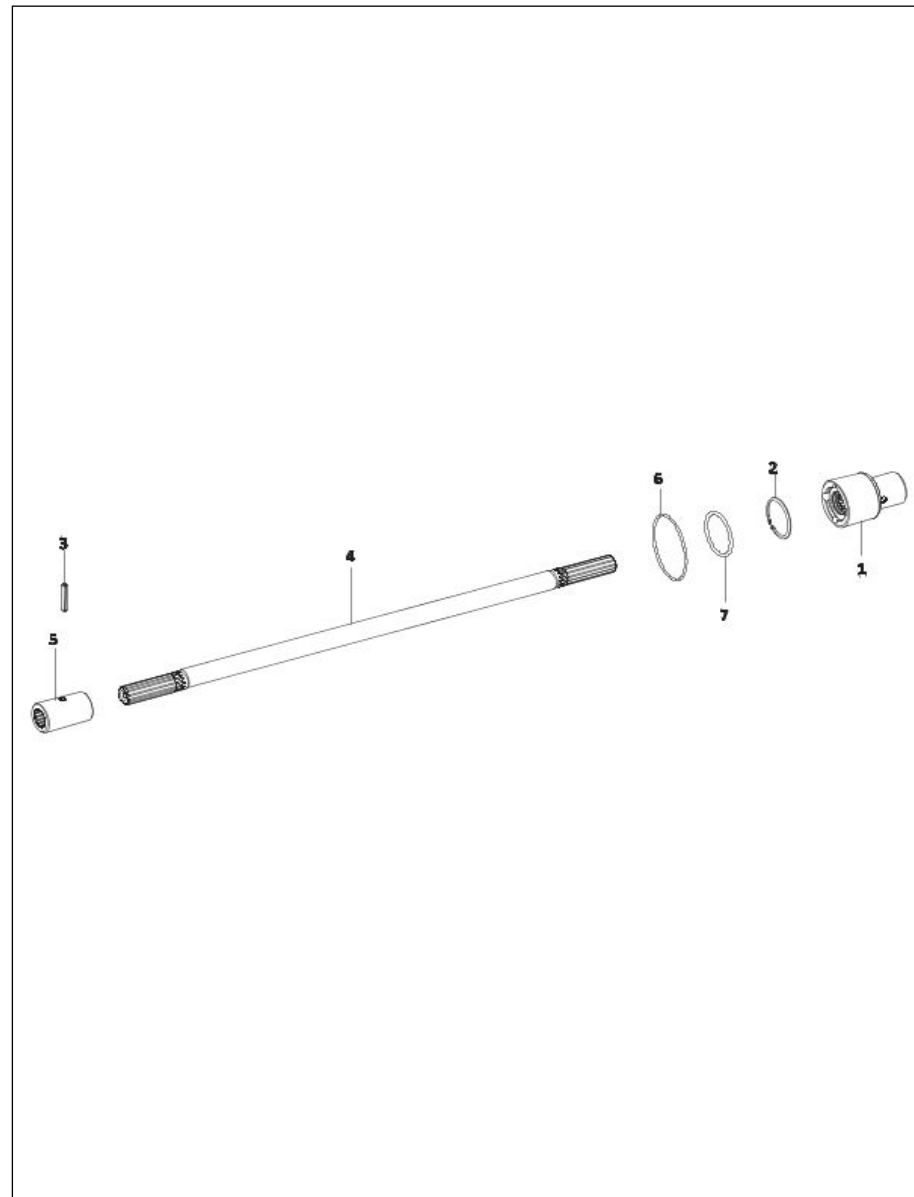


TABLE-93
SHAFT PROPELLER ASSEMBLY (4WD COMPACT HST)

Fig. No.	Part No.	Description	Qty
1	D10554580.9	COUPLING ASSEMBLY PROPELLER SHAFT	1
2	D90500100.9	CIRCLIP B40X1.75 N	1
3	D87500510.9	PIN 6.0X35.0 SPRING DOWEL	2
4	D10599880.9	SHAFT PROPELLER (4WD HST)	1
5	D10548310.9	COUPLING PROPELLER SHAFT (4WD)	1
6	D93601070.9	SEAL O RING 2.62X75.87	1
7	D93601260.9	SEAL O RING 0.139"X1.859"	1

TABLE-94
GUARD ASSEMBLY PROPELLER SHAFT

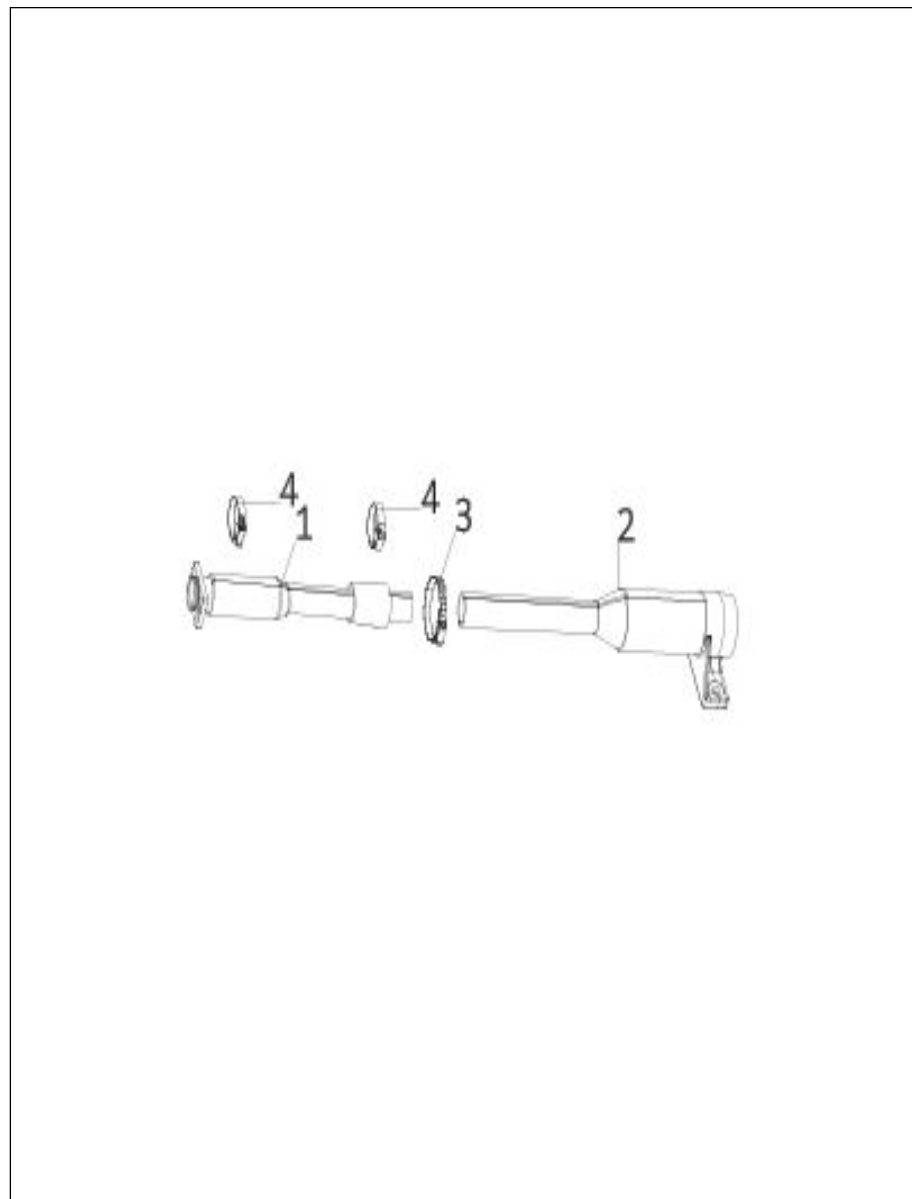


TABLE-94
GUARD ASSEMBLY PROPELLER SHAFT

Fig. No.	Part No.	Description	Qty
1	D10615800.9	GUARD ASSEMBLY PROPELLER SHAFT REAR	1
2	D10561500.9	GUARD ASSEMBLY PROPELLER SHAFT FRONT	1
3	D10046730.9	CLAMP ASSEMBLY INTAKE MANIFOLD FT80	1
4	D10017170.9	CLAMP ASSEMBLY 70MM DIAMETER	1

TABLE-95
PEDAL SPEED CONTROL AND CRUISE CONTROL SUBASSEMBLY

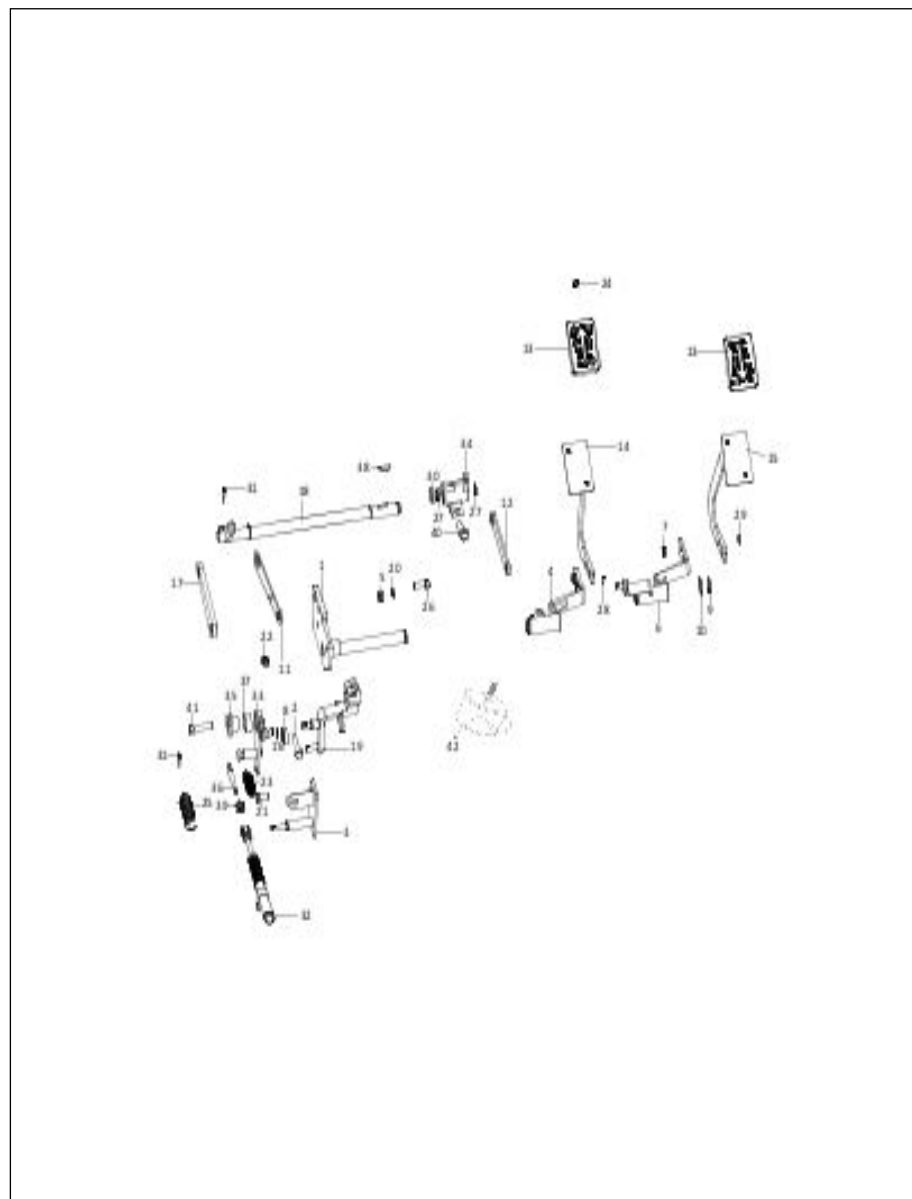


TABLE-95
PEDAL SPEED CONTROL AND CRUISE CONTROL SUBASSEMBLY

Fig. No.	Part No.	Description	Qty
1	D10747930.9	BRACKET ASSEMBLY HUB SPEED PEDAL CONTROL MOUNTING	1
2	D81500190.9	BOLT M8X1.25X45-8.8P HEX HEAD	1
3	D10754220.9	PIN AND BRACKET ASSEMBLY DAMPER MOUNTING SPEED CONTROL	1
4	D10748010.9	HUB AND LEVER ASSEMBLY FORWARD PEDAL CONTROL	1
4-1	D10748010AC.9	HUB AND LEVER ASSEMBLY FORWARD PEDAL CONTROL	1
5	D83500110.9	NUT M8X1.25-8 HEX	2
6	D10747970AC.9	HUB AND LEVER ASSEMBLY REVERSE PEDAL CONTROL	1
7	D83500110.9	NUT M8X1.25-8 HEX	2
8	D10607850.9	BEARING SPEED CONTROL	1
9	D90000620.9	CIRCLIP A20X1.2 N	1
10	D85500650.9	WASHER 30X20X2.0 THRUST	6
11	D10748970AC.9	LINK FORWARD PEDAL SPEED CONTROL	1
12	D10748960AC.9	LINK REVERSE PEDAL SPEED CONTROL	1
13	D10757650.9	PAD FRICTION PEDAL SPEED CONTROL	2
14	D10757590AB.9	PEDAL ASSEMBLY FORWARD SPEED CONTROL	1
14-1	D10757590AC.9	PEDAL ASSEMBLY FORWARD SPEED CONTROL	1
15	D10757620AB.9	PEDAL ASSEMBLY REVERSE SPEED CONTROL	1
16	D90500350.9	CIRCLIP A10X1.0 N	1
17	D10873230AB.9	LINK CONNECTING NEUTRAL SETTING ASSEMBLY	1
18	D10748990.9	SHAFT AND LEVER ASSEMBLY CROSS PEDAL SPEED CONTROL	1
19	D10753790.9	PIN AND LEVER ASSEMBLY CROSS SHAFT HST	1
20	D86500030.9	WASHER M8 SPRING LOCK	11
21	D81500110.9	BOLT M8X1.25X20-8.8 HEX HEAD	2
22	D83500160.9	NUT M8X1.25 NYLOCK HEX	2
23	D10607860.9	SPRING RETURN SPEED CONTROL LEVER UPPER	1
24	D81503950.9	BOLT M6X1.0X25-8.8 ALLEN	1
25	D10012250.9	SPRING BRAKE PEDAL RETURN	1
26	D81501470.9	BOLT M8X1.25X25-10.9 HEX HEAD	8
27	D90000100.9	CIRCLIP A18X1.2 N	3
28	D88400200.9	PIN 2.0X12.0 COTTER	5
29	D85500050.9	WASHER M8 FLAT	18
30	D10252930.9	WASHER 18.5X22X3.0 SEAL WIPER RETAINER	2
31	D10013460.9	PIN 1/8"X0.75" COTTER	2
32	D10607950.9	DAMPER ASSEMBLY SPEED CONTROL	1
33	D10873170.9	ARM NEUTRAL HOLD ASSEMBLY	1
33-1	D10873170AB.9	ARM NEUTRAL HOLD ASSEMBLY	1
34	D10874720.9	HUB AND LEVER ASSEMBLY SPEED CONTROL	1
35	D10873220.9	PIN NEUTRAL ASSEMBLY	1
35-1	D10873220AB.9	PIN NEUTRAL ASSEMBLY	1
36	D10873240.9	PLATE AND SPRING TENSION ASSEMBLY NEUTRAL SETTING	2

TABLE-95
PEDAL SPEED CONTROL AND CRUISE CONTROL SUBASSEMBLY

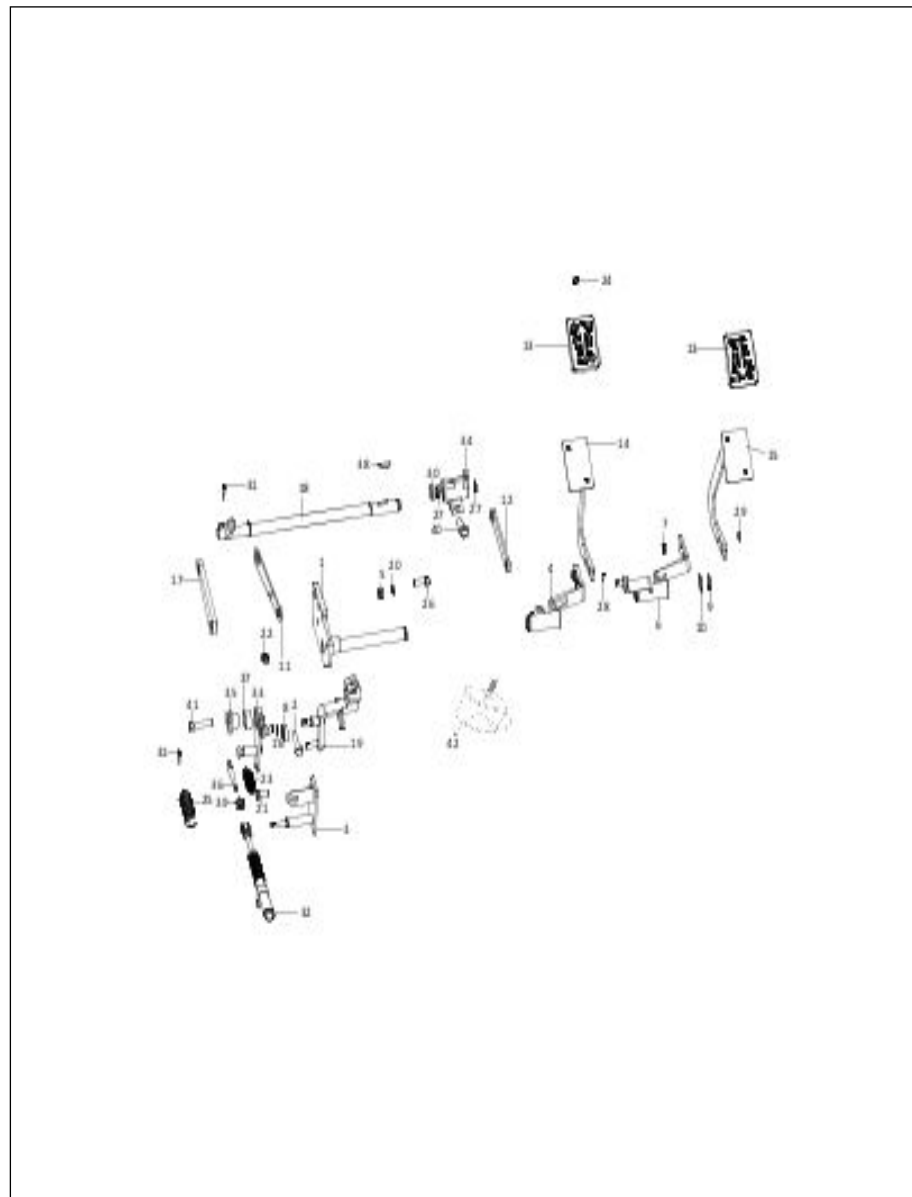


TABLE-95
PEDAL SPEED CONTROL AND CRUISE CONTROL SUBASSEMBLY

Fig. No.	Part No.	Description	Qty
36-1	D10873240AB.9	PLATE AND SPRING TENSION ASSEMBLY NEUTRAL SETTING	2
37	D10874080.9	RUBBER SEALING NEUTRAL HOLD	1
37-1	D10874080AB.9	RUBBER SEALING NEUTRAL HOLD (M/S TRELLEBORG)	1
38	D91000020.9	KEY 6 X 9 WOODRUFF	1
39	D83500060.9	NUT M8X1.25-6 HEX	4
40	D81000470.9	BOLT 7/16"-14X1.50" HEX HEAD	1
41	D81503440.9	BOLT M8X1.25X40-10.9 HEX HEAD	1
42	D10768860AB.9	CRUISE CONTROL SOLENOID	1

202

TABLE-96
BRAKE LINKAGE SUB ASSEMBLY (HST)

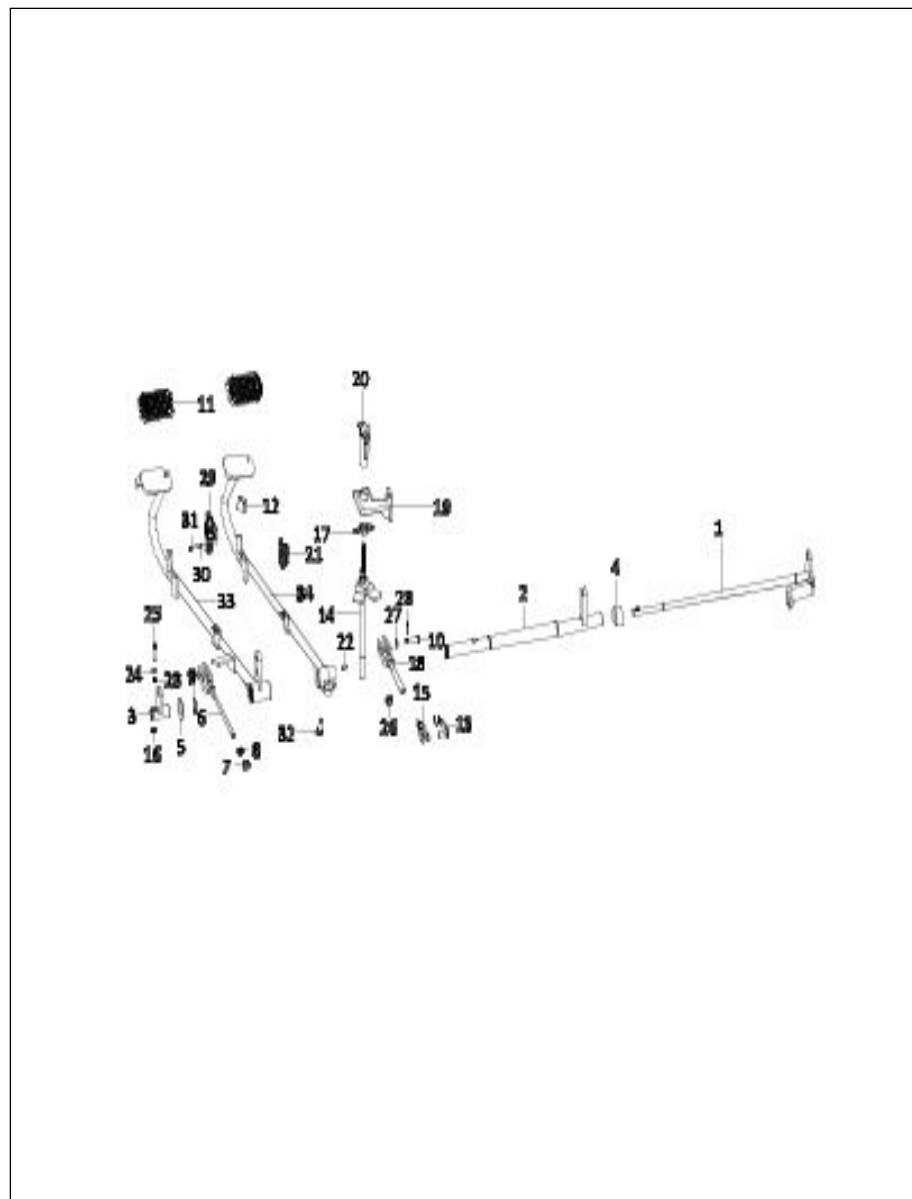


TABLE-96
BRAKE LINKAGE SUB ASSEMBLY (HST)

Fig. No.	Part No.	Description	Qty
1	D10604710.9	BRAKE PEDAL SHAFT ASSEMBLY INNER	1
2	D10604690.9	SHAFT ASSEMBLY BRAKE PEDAL OUTER	1
3	D10604740.9	HUB AND LEVER ASSEMBLY INDEPENDENT PARKING BRAKE RH	1
3-1	D10604740AB.9	HUB AND LEVER ASSEMBLY INDEPENDENT PARKING BRAKE RH	1
4	D10471840.9	SPACER BRAKE ACTUATING SHAFT LH	1
5	D10012260.9	WASHER BRAKE PEDAL CROSS SHAFT THRUST	4
6	D10604800.9	ROD TIE AND CLEVIS ASSEMBLY BRAKE PEDAL	2
7	D83500290.9	NUT M12X1.75 HEX	4
8	D83000010.9	NUT 3/8"-24 HEX	5
9	D90000570.9	CIRCLIP A28X1.5 N	2
10	D10258180.9	PIN 10X35 CLEVIS	4
11	D10552220.9	PAD RUBBER TOP PLATE	2
12	D10552230.9	COVER RUBBER RETURN STOPPER	2
13	D10292730.9	PIN 3/8" CLEVIS	3
14	D10610590.9	ROD TIE AND CLEVIS ASSEMBLY INDEPENDENT PARKING BRAKE	1
15	D10293160.9	CLEVIS 3/8"	3
16	D83500070.9	NUT M6X1.00-6 HEX	3
17	D10558920.9	GUIDE SUPPORT LEVER (IGUS)	1
18	D10604820.9	ROD TIE AND CLEVIS ASSEMBLY PARKING BRAKE	2
19	D10604840.9	BRACKET ASSEMBLY INDEPENDENT PARKING BRAKE MOUNTING	1
19-1	D10604840AB.9	BRACKET ASSEMBLY INDEPENDENT PARKING BRAKE MOUNTING	1
20	D10564110AB.9	KNOB ASSEMBLY INDEPENDENT PARKING BRAKE	1
21	D10012250.9	SPRING BRAKE PEDAL RETURN	2
22	D91000050.9	KEY 4X5 WOODRUFF	1
23	D86500040.9	WASHER M6 SPRING LOCK	1
24	D85500040.9	WASHER M6 FLAT	1
25	D81500340.9	BOLT M6X1.00X35-8.0 HEX HEAD	1
26	D83500090.9	NUT M10X1.50-8 HEX	2
27	D85500140.9	WASHER M10 FLAT	8
28	D10013460.9	PIN 1/8"X0.75" COTTER	4
29	D10768840.9	SWITCH ASSEMBLY NC/NO TYPE	1
30	D85500190.9	WASHER M4.0 FLAT	2
31	D81502010.9	BOLT M4X20-6.8 HEX HEAD	2
32	D81000470.9	BOLT 7/16"-14X1.50" HEX HEAD	1
33	D10605700.9	PEDAL ASSEMBLY BRAKE LH (HST)	1
34	D10605730.9	PEDAL ASSEMBLY BRAKE RH (HST)	1

TABLE-97
WHEEL AND TYRE ASSEMBLY REAR 33x15.50-16.50 (M/s BKT - INDUSTRIAL)

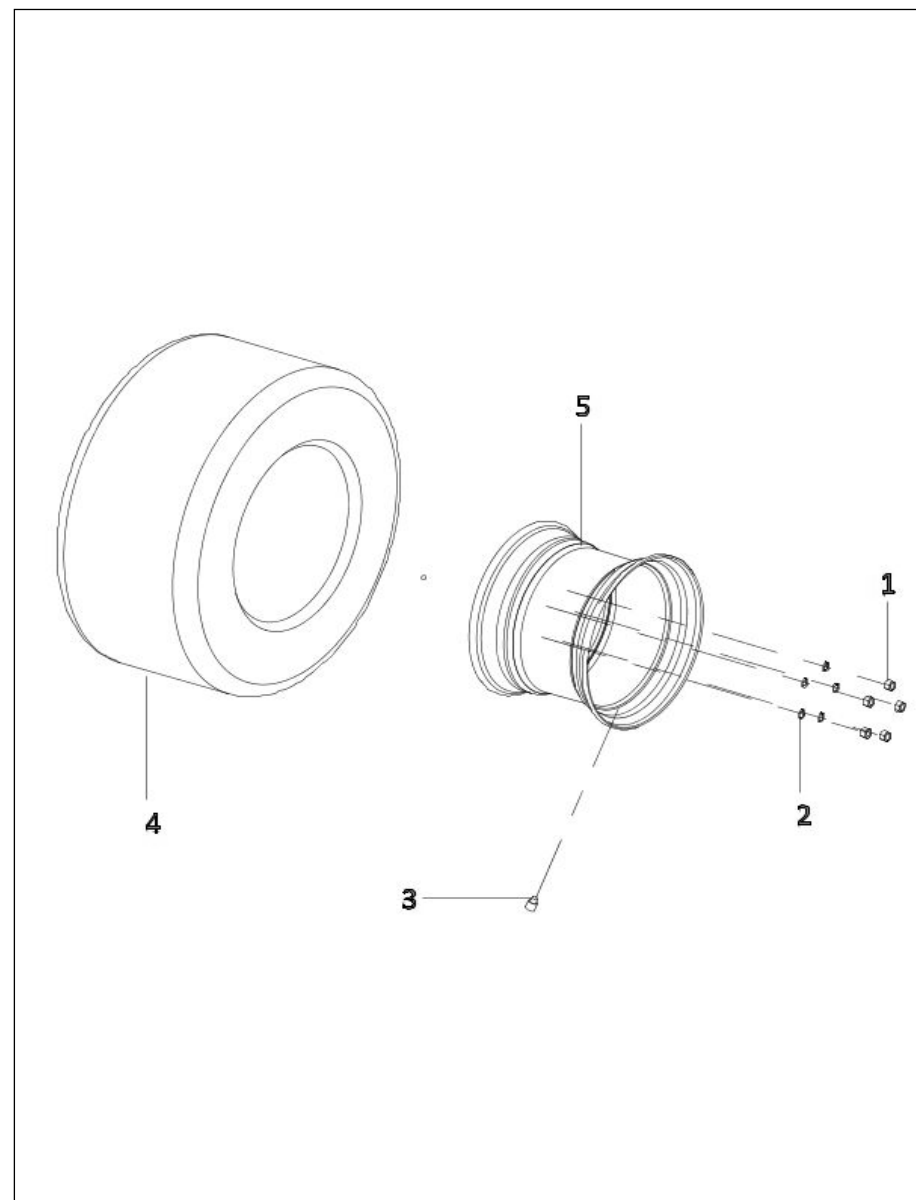


TABLE-97
WHEEL AND TYRE ASSEMBLY REAR 33x15.50-16.50 (M/s BKT - INDUSTRIAL)

Fig. No.	Part No.	Description	Qty
1	D83501020.9	NUT M16X1.5-10.9 HEX HEAD	10
2	D86500060.9	WASHER M16 SPRING LOCK	10
3	D10538660.9	VALVE TYRE REAR WHEEL 33X15.50-16.5 (TR415)	2
4	D10530300.9	TYRE ASSEMBLY REAR WHEEL 33X15.5-16.5 SPHD 12PR TUBELESS	2
5	D10538500.9	RIM ASSEMBLY REAR WHEEL 12X16.5" (ANTIQU SILVER)	2

206

TABLE-98
DRAFT SENSING HYDRAULIC SUBASSEMBLY (COMPACT)

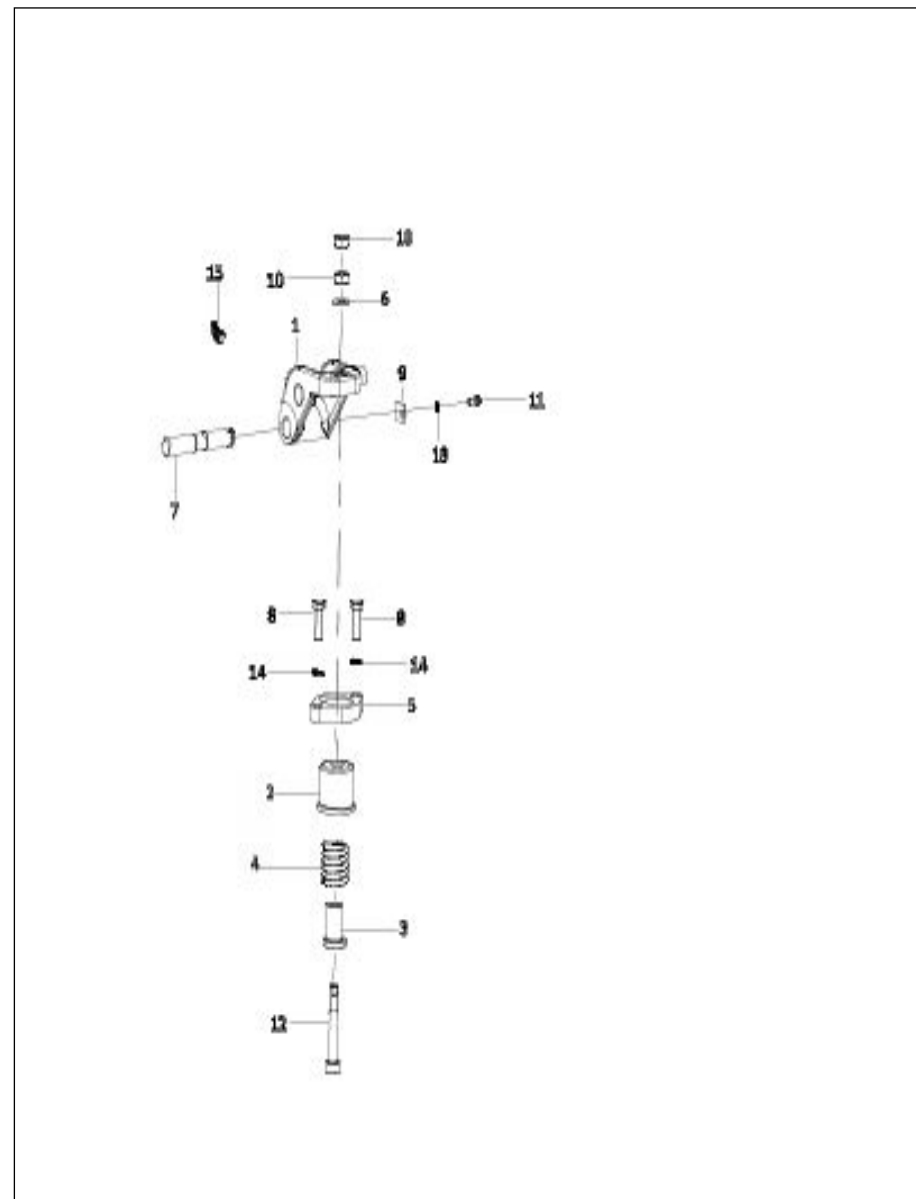


TABLE-98
DRAFT SENSING HYDRAULIC SUBASSEMBLY (COMPACT)

Fig. No.	Part No.	Description	Qty
1	D10826430AD.9	ROCKER TOP LINK SENSING ASSEMBLY	1
2	D10826520.9	HOUSING HYDRAULIC LIFT DRAFT CONTROL SPRING	1
3	D10828460.9	GUIDE LOWER LIFT DRAFT CONTROL SPRING	1
4	D11259700AA.9	SPRING DRAFT CONTROL SENSING COMPACT	1
5	D10826530.9	FLANGE DRAFT SPRING HOUSING	1
6	D85500060.9	WASHER M12 FLAT	1
7	D10826440AC.9	PIN HYDRAULIC LIFT ROCKER	1
8	D81503870.9	BOLT M10X1.50X35-10.9 HEX HEAD (16 A/F)	2
9	D10007020.9	PLATE SECURING DRAFT CONTROL	1
10	D83500040.9	NUT M12X1.75-6 HEX	2
11	D82500050.9	SCREW M6X1.00X12-6.8 HEX HEAD	1
12	D81504280AB.9	BOLT M12X1.75X85-10.9 ALLEN	1
13	D86500040.9	WASHER M6 SPRING LOCK	1
14	D86500050.9	WASHER M10 SPRING LOCK	2
15	D92500090.9	GREASE NIPPLE B M10X1 WITH LOCKNUT	1

TABLE-99
CYLINDER PISTON AND VALVE SUBASSEMBLY (COMPACT)

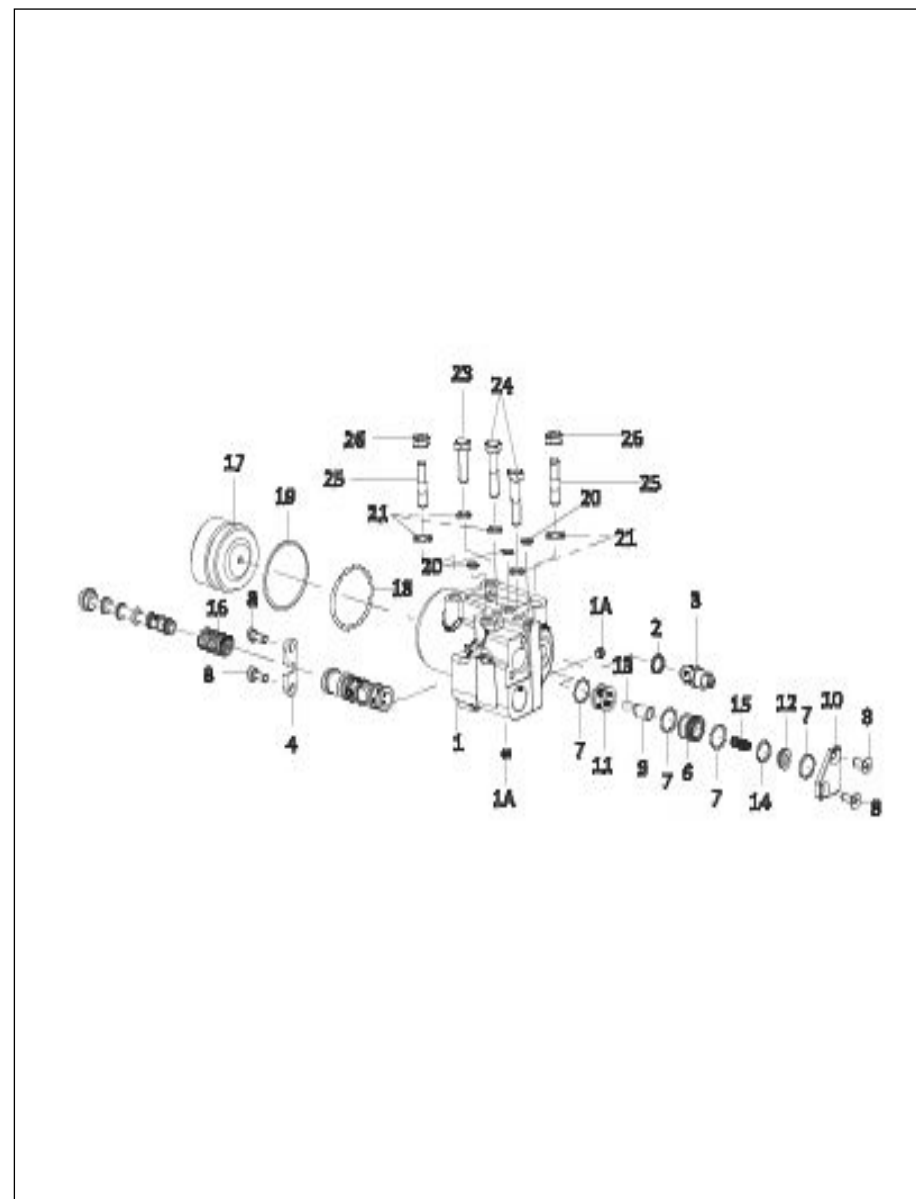


TABLE-99
CYLINDER PISTON AND VALVE SUBASSEMBLY (COMPACT)

Fig. No.	Part No.	Description	Qty
1	D10839480AD.9	CYLINDER AND BUSH ASSEMBLY	1
2	D10059580.9	GASKET HYDRAULIC LIFT SAFETY VALVE	1
3	D10194150.9	VALVE ASSEMBLY HYDRAULIC LIFT SAFETY	1
4	D10828420.9	COVER HYDRAULIC DISTRIBUTOR BODY FRONT	1
5	D82500730.9	SCREW M8X1.25X18 ALLEN	2
6	D10007990.9	INSERT HYDRAULIC DISTRIBUTOR	1
7	D10102780.9	RING SEALING	4
8	D10152630.9	SCREW M8X1.25X20 COUNTERSUNK SOCKET HEAD	2
9	D10008100.9	SEAT HYDRAULIC DISTRIBUTOR	1
10	D10828430.9	COVER HYDRAULIC DISTRIBUTOR BODY REAR	1
11	D10103340.9	SEAT VALVE LOCKING BALL	1
12	D10828440AB.9	PLUG HYDRAULIC LIFT UNLOAD VALVE	1
13	D10008080.9	BALL 10MM CHROMIUM STEEL	1
14	D10102790.9	RING SEALING	1
15	D10008200.9	SPRING VALVE LOCK	1
16	D10348970AC.9	SPRING HYDRAULIC LIFT CONTROL VALVE	1
17	D10828370BA.9	PISTON HYDRAULIC LIFT CYLINDER	1
18	D10828400.9	SEAL O RING PISTON HYDRAULIC LIFT	1
19	D10828410.9	RING HYDRAULIC LIFT PISTON SEAL	1
20	D10007810.9	SEAL O RING 2.50X11.00	3
21	D10007820.9	SEAL O RING 2.40X16.30	2
22	D10072340.9	SEAL O RING 0.364"X0.066"	3
23	D81504060.9	BOLT M10X1.50X50-10.9 HEX HEAD (PRECOATED)	2
24	D81503870.9	BOLT M10X1.50X35-10.9 HEX HEAD (16 A/F)	1
25	D84500350.9	STUD M10X1.5X48-10.9	2
26	D83500130.9	NUT M10X1.50-10P HEX	2
1A	D93100060.9	PLUG 1/8"-27 SOCKET HEX HEAD (STEEL)	1

TABLE-100
POWER TRANSFER SUBASSEMBLY (COMPACT)

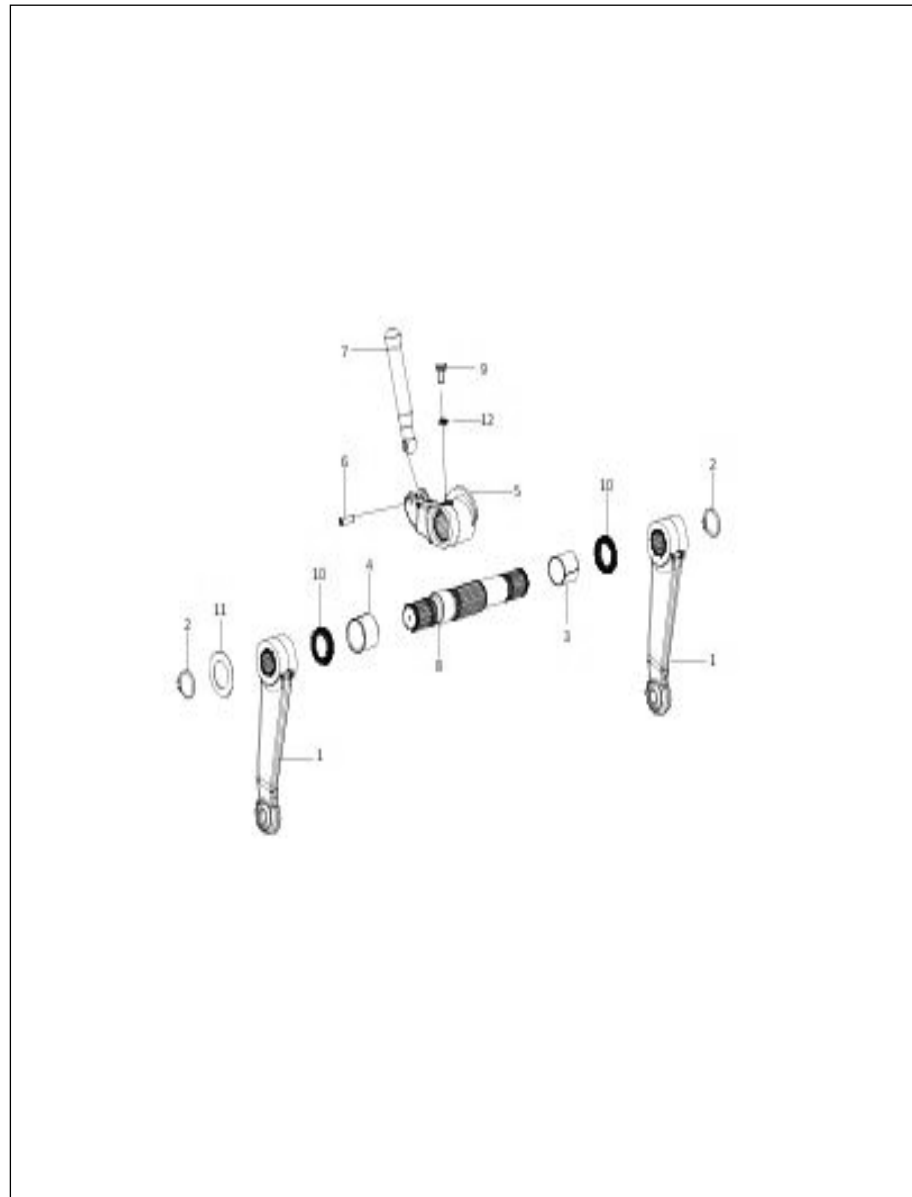


TABLE-100
POWER TRANSFER SUBASSEMBLY (COMPACT)

Fig. No.	Part No.	Description	Qty
1	D10828320.9	ARM ASSEMBLY HYDRAULIC LIFT RH	2
2	D90000020.9	CIRCLIP A35X1.5 N	2
3	D10828380.9	BUSHING HYDRAULIC LIFT SHAFT LH	1
4	D10828390.9	BUSHING HYDRAULIC LIFT SHAFT RH	1
5	D10828350AB.9	ARM HYDRAULIC LIFT RAM	1
6	D87500700.9	PIN 6X30 SPRING DOWEL COMBINATION TYPE	1
7	D10828360AB.9	ROD HYDRAULIC LIFT CONNECTING	1
8	D10828290AB.9	SHAFT SERRATED HYDRAULIC LIFT	1
9	D81503090.9	BOLT M8X1.25X16-8.8 HEX HEAD	1
9-1	D81500110.9	BOLT M8X1.25X20-8.8 HEX HEAD	1
10	D93601530.9	SEAL OIL 35X45X9.0	2
11	D10008490.9	SHIM DRAFT CONTROL SPRING ADJUSTING 0.3MM	3
12	D86500030.9	WASHER M8 SPRING LOCK	1
12-1	D86500030AC.9	WASHER M8 SPRING LOCK	1

TABLE-101
QUADRANT HYDRAULIC SUBASSEMBLY COMPACT

Fig. No.	Part No.	Description	Qty
1	D81501470.9	BOLT M8X1.25X25-10.9 HEX HEAD	2
2	D10828270AB.9	HOUSING HYDRAULIC LIFT CONTROL QUADRANT	1
2-1	D10828270AC.9	HOUSING HYDRAULIC LIFT CONTROL QUADRANT	1
3	D10007700.9	SEAL O RING 2.62X7.59	1
4	D10016360.9	SEAL O RING 2.65X20.50	1
5	D10835670.9	WASHER HYDRAULIC LIFT SHAFT THRUST	1
6	D83500170.9	NUT M10X1.50 NYLOCK HEX	1
7	D10006160.9	CIRCLIP C6X0.85 N	2
8	D10826110.9	DISC HYDRAULIC LIFT CONTROL FRICTION	2
9	D10825700AB.9	LINK HYDRAULIC LIFT POSITION CONTROL	1
10	D10072320.9	WASHER HYDRAULIC LIFT CONTROL SPRING	1
11	D86500030.9	WASHER M8 SPRING LOCK	4
12	D10826080AC.9	LEVER ASSEMBLY HYDRAULIC LIFT POSITION CONTROL	1
13	D10826090AC.9	ROLLER HYDRAULIC LIFT POSITION CAM FOLLOWER	1
14	D90000790.9	RING 0.78" RETAINING TYPE RC EXTERNAL	1
15	D81500110.9	BOLT M8X1.25X20-8.8 HEX HEAD	2
16	D10826100AB.9	DISC HYDRAULIC LIFT CONTROL	1
17	D11542140AA.9	LEVER HYDRAULIC LIFT POSITION CONTROL	1
18	D11528350AA.9	SHAFT ASSEMBLY HYDRAULIC LIFT DRAFT CONTROL SELECTOR	1
19	D11526910AA.9	SHAFT HYDRAULIC LIFT CONTROL LEVER	1

TABLE-102
CONTROL LINKAGES HYDRAULIC SUBASSEMBLY COMPACT

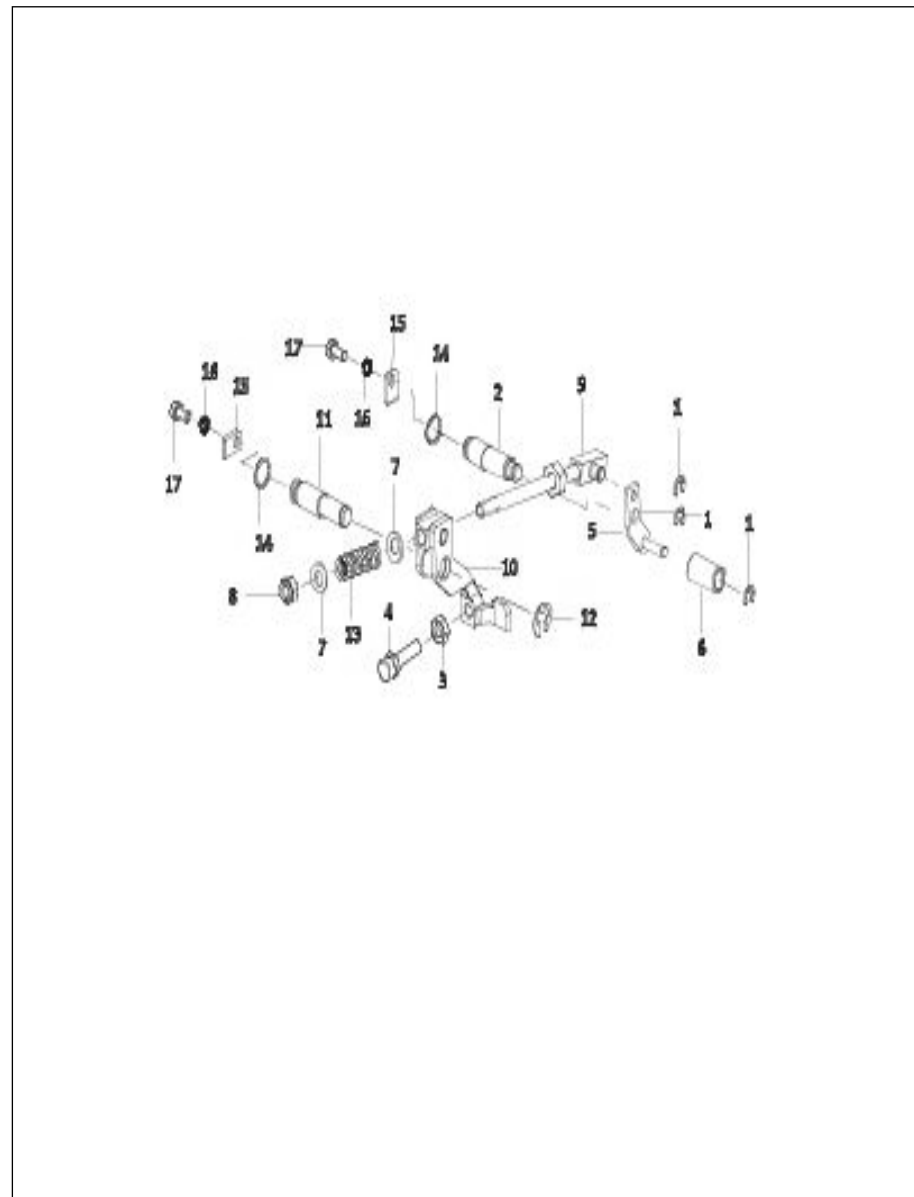


TABLE-102
CONTROL LINKAGES HYDRAULIC SUBASSEMBLY COMPACT

Fig. No.	Part No.	Description	Qty
1	D10006160.9	CIRCLIP C6X0.85 N	3
2	D10825780CA.9	PIN HYDRAULIC LIFT ACTUATOR PIVOT	1
3	D83500060.9	NUT M8X1.25-6 HEX	1
4	D10826140AD.9	ACTUATOR HYDRAULIC LIFT CONTROL VALVE	1
5	D10825720BA.9	LINK ASSEMBLY HYDRAULIC LIFT CONTROL VALVE ACTUATING	1
5-1	D10825720BB.9	LINK ASSEMBLY HYDRAULIC LIFT CONTROL VALVE ACTUATING	1
7	D85500050.9	WASHER M8 FLAT	2
8	D83500160.9	NUT M8X1.25 NYLOCK HEX	1
9	D10826030AB.9	LINK SWIVEL ASSEMBLY HYDRAULIC LINKAGE	1
10	D11541760AA.9	LINK ASSEMBLY HYDRAULIC LIFT SPOOL VALVE ACTUATING	1
11	D11528690AB.9	PIN HYDRAULIC LIFT ACTUATOR PIVOT	1
12	D10012440.9	RING 1/2" RETAINING TYPE RB EXTERNAL	1
13	D10826060AB.9	SPRING HYDRAULIC LIFT POSITION CONTROL VALVE OVERTRAVEL	1
14	D93600170.9	SEAL O RING 0.070"X0.562"	2
15	D10830510BA.9	PLATE SECURING DRAFT CONTROL	2
16	D86500040.9	WASHER M6 SPRING LOCK	2
17	D82500050.9	SCREW M6X1.00X12-6.8 HEX HEAD	2

TABLE-103
COVER HYDRAULIC SUBASSEMBLY (COMPACT) WITH FCV

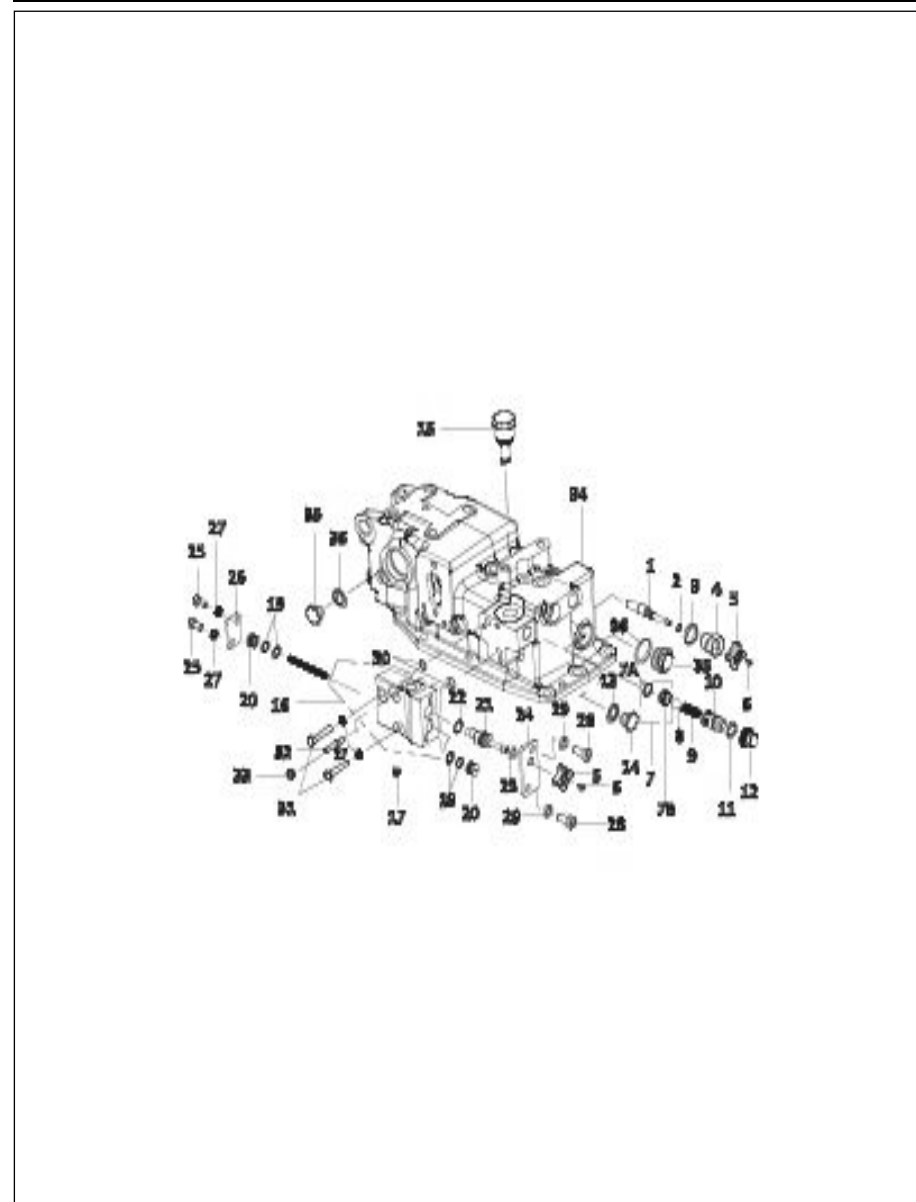


TABLE-103
COVER HYDRAULIC SUBASSEMBLY (COMPACT) WITH FCV

Fig. No.	Part No.	Description	Qty
1	D10828900AB.9	SPOOL COVER HYDRAULIC LIFT ACCESSORY	1
2	D93601060AB.9	SEAL O RING 1.5X7.5	1
3	D93601400.9	SEAL BONDED M22 (DOWTY)	1
4	D10531350.9	ADAPTER M22X1.5 COVER HYDRAULIC LIFT ACCESSORY	1
5	D10228950.9	KNOB COVER HYDRAULIC LIFT ACCESSORY UPPER	2
6	D10186500.9	SCREW COVER HYDRAULIC LIFT ACCESSORY	2
7	D10193040.9	SEAT HYDRAULIC LIFT CHECK VALVE AND SEAL ASSEMBLY	1
7A	D93600270.9	SEAL O RING 0.070"X0.625" (S95 FINISH)	1
7B	D10058870.9	SEAT HYDRAULIC LIFT CHECK VALVE	1
8	D10066970.9	BALL 15/32" DIAMETER	1
9	D10060590.9	SPRING HYDRAULIC LIFT CHECK VALVE	1
10	D10536090AD.9	RETAINER HYDRAULIC LIFT CHECK VALVE	1
11	D93600090.9	SEAL O RING 0.103"X0.625"	1
12	D10059150.9	PLUG HYDRAULIC LIFT CHECK VALVE	1
13	D10107280.9	WASHER COPPER HYDRAULIC LIFT (36X30X2)	1
14	D10238120.9	PLUG M30X1.5X12 WELCH	1
15	D10004120.9	VALVE ASSEMBLY HYDRAULIC LIFT PUMP RELIEF	1
16	D11290070AA.9	BODY HYDRAULIC FLOW CONTROL VALVE WITH SPOOL ASSEMBLY	1
17	D93100060.9	PLUG 1/8"-27 SOCKET HEX HEAD (STEEL)	1
18	D10069030.9	SPRING HYDRAULIC LIFT FLOW CONTROL VALVE	1
19	D93600060.9	SEAL O RING 0.070"X0.500"	4
20	D10067770.9	PLUG HYDRAULIC LIFT VALVE BLOCK	2
21	D11250300AA.9	SPOOL COVER HYDRAULIC LIFT FLOW CONTROL	1
21-1	D11250300AB.9	SPOOL COVER HYDRAULIC LIFT FLOW CONTROL	1
22	D93600670.9	SEAL O RING 1.78X15.6	1
23	D85500050.9	WASHER M8 FLAT	1
24	D11250320AA.9	COVER HYDRAULIC FLOW CONTROL BODY	1
25	D82500210.9	SCREW M10X1.50X20 ALLEN	2
26	D11250310AA.9	COVER HYDRAULIC FLOW CONTROL BODY	1
27	D86500030.9	WASHER M8 SPRING LOCK	4
28	D81501420.9	BOLT M8X1.25X15 HEX HEAD	2
29	D86500090.9	WASHER M10 SPRING LOCK	2
30	D10249630.9	SEAL RING 1.68X11.44 DIAMETER HYDRAULIC LIFT ACCESS COVER	2
31	D81500330.9	BOLT M8X1.25X40-8.8 HEX HEAD	2
32	D84500170.9	STUD B M8X1.25X42-8.8	1
33	D83500020.9	NUT M8X1.25-6 LOCK	1
34	D11544310AA.9	COVER HYDRAULIC LIFT TOP	1
35	D10006500.9	PLUG M18X1.5X12-6.8 HEX HEAD	2
36	D93601550.9	SEAL BONDED M18 (DOWTY SELF CENTERING)	2

TABLE-104
TUBING HYDRAULIC SUCTION SUBASSEMBLY

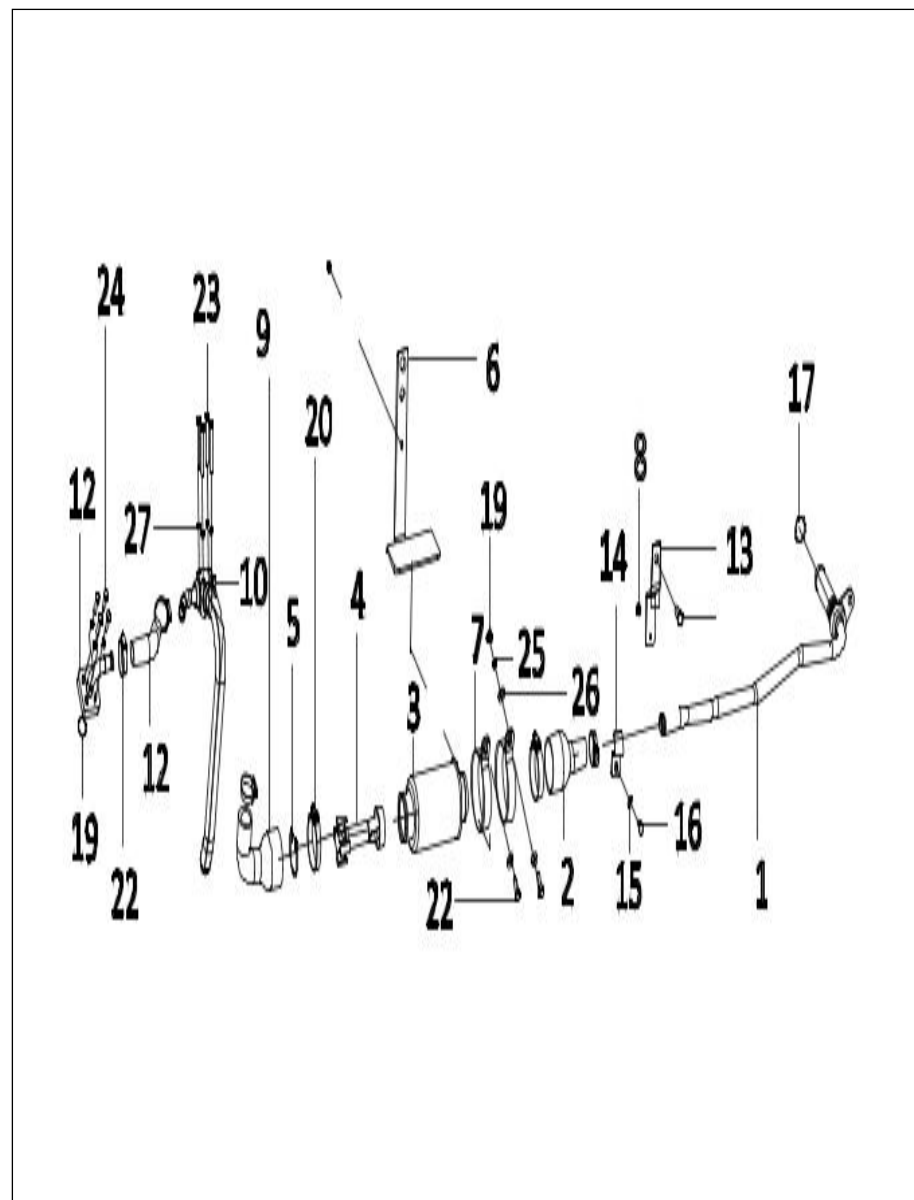


TABLE-104
TUBING HYDRAULIC SUCTION SUBASSEMBLY

Fig. No.	Part No.	Description	Qty
1	D10606020.9	TUBE AND STRAINER ASSEMBLY HYDRAULIC SUCTION	1
2	D10606010.9	HOSE HYDRAULIC SUCTION TUBE TO STRAINER	1
3	D10528850.9	STRAINER ASSEMBLY HYDRAULIC OIL 102 LPM	1
4	D10603860.9	STRAINER HYDRAULIC SUCTION (MAGNETIC)	1
5	D10603870.9	CLIP WIRE STRAINER	1
6	D10557960.9	BRACKET ASSEMBLY HYDRAULIC STRAINER MOUNTING	1
7	D10527110.9	CLAMP SUCTION STRAINER HOLDING	2
8	D83500070.9	NUT M6X1.00-6 HEX	1
9	D10603190.9	HOSE HYDRAULIC SUCTION STRAINER TO TUBE	1
10	D10558000AC.9	TUBE ASSEMBLY HYDRAULIC SUCTION STRAINER TO PUMP	1
11	D10558040.9	HOSE STEERING SUCTION	1
12	D10558050.9	TUBE ASSEMBLY STEERING SUCTION HOSE TO PUMP	1
13	D10606040.9	BRACKET ASSEMBLY SUCTION TUBE HOLDING	1
14	D10606030.9	CLAMP HYDRAULIC SUCTION TUBING	1
15	D85500110.9	WASHER M6 FLAT	1
16	D81500360.9	BOLT M6X1.00X16-9.8 HEX HEAD	1
17	D10016350.9	SEAL O RING 2.65X25.00	1
18	D93601170.9	SEAL O RING 2.0X19	2
19	D83500060.9	NUT M8X1.25-6 HEX	2
20	D10330480.9	CLAMP HOSE WORM DRIVE 60MM	2
20-1	D10017630.9	CLAMP ASSEMBLY AIR CLEANER HOSE	2
21	D10013970.9	CLAMP HOSE 35A	4
22	D81500110.9	BOLT M8X1.25X20-8.8 HEX HEAD	4
23	D81501760.9	BOLT M6X1.00X45-10.9 HEX HEAD	4
24	D81500270.9	BOLT M6X1.00X25-9.8 HEX HEAD	4
25	D86500030.9	WASHER M8 SPRING LOCK	4
26	D85500050.9	WASHER M8 FLAT	4
27	D86500040.9	WASHER M6 SPRING LOCK	8

TABLE-105
TUBING HYDRAULIC PRESSURE SUBASSEMBLY

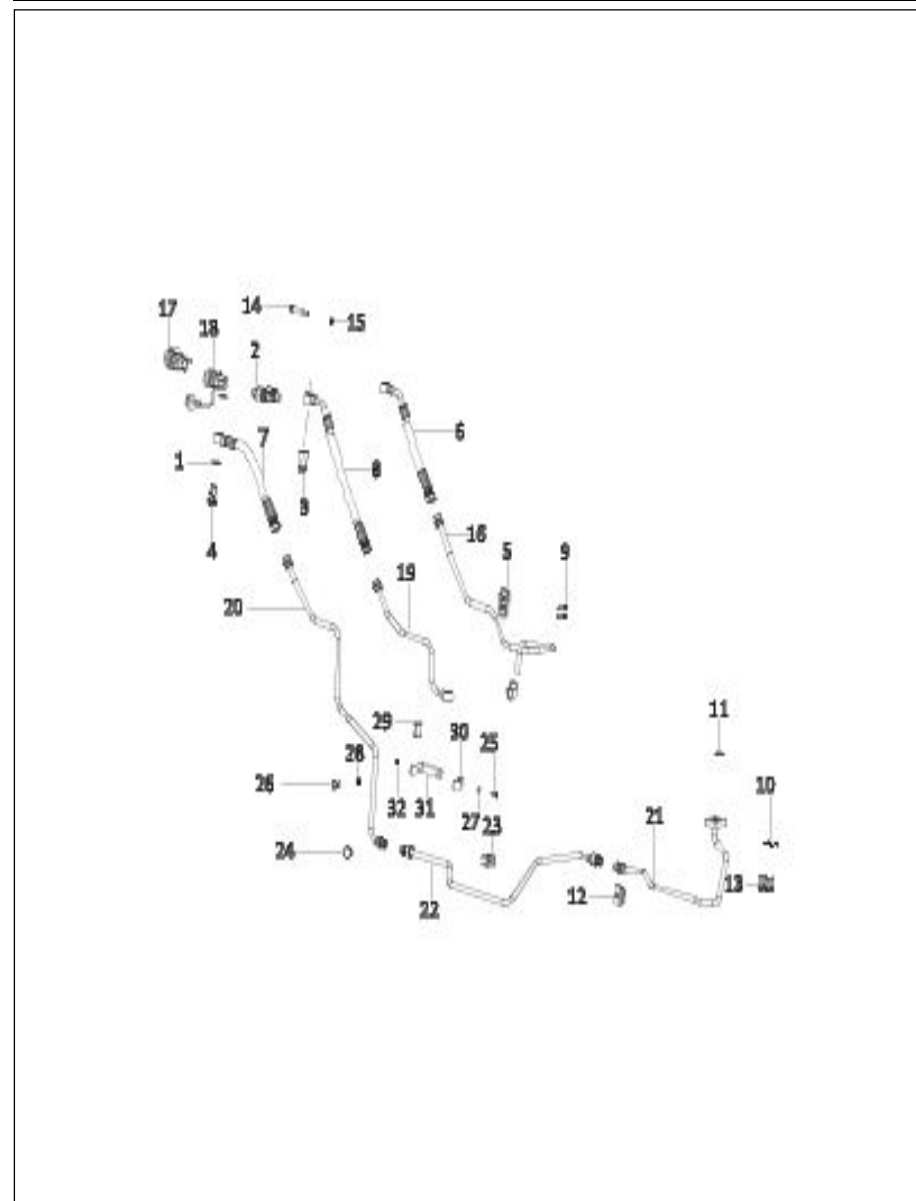


TABLE-105
TUBING HYDRAULIC PRESSURE SUBASSEMBLY

Fig. No.	Part No.	Description	Qty
1	D10174950AD.9	SEAL BANJO BOLT DISTRIBUTOR TO CYLINDER TUBE	12
2	D10514960.9	ADAPTOR 3/4"-16 UNF AND M18X1.50 (S TYPE)	2
3	D10527310.9	CONNECTOR M18X1.50 AND M18X1.50 STUD END	1
4	D10174960AD.9	BOLT BANJO M18X1.50	5
5	D10911710AA.9	BRACKET ASSEMBLY POWER STEERING TUBE HOLDING	1
6	D10911460AB.9	TUBE AND HOSE ASSEMBLY QRC TO TANK	1
7	D10911500AA.9	HOSE ASSEMBLY CONNECTOR TO SPOOL VALVE INLET	1
8	D10911440AA.9	TUBE AND HOSE ASSEMBLY CONNECTOR TO DCV	1
9	D10466130.9	BOLT M6X30-5.8 HEX HEAD (FTES SRUBA M6X30-5.8)	2
10	D86500040.9	WASHER M6 SPRING LOCK	4
11	D93601170.9	SEAL O RING 2.0X19	1
12	D10408760.9	CLAMP ASSEMBLY TUBING HYDRAULIC PRESSURE	1
13	D10034960.9	SCREW M6X1.00X25-6.6 HEX HEAD	4
14	D81500130.9	BOLT M8X1.25X60-8.8 HEX HEAD	2
15	D86500030.9	WASHER M8 SPRING LOCK	2
16	D11468650AB.9	TUBE ASSEMBLY CONNECTOR TO CENTRE HOUSING	1
17	D11210380AA.9	COUPLING ASSEMBLY VALVE HYDRAULIC REMOTE POPPET TYPE	1
17-1	D11215870AA.9	COUPLING ASSEMBLY VALVE HYDRAULIC REMOTE POPPET TYPE	1
18	D11210200AA.9	COUPLING ASSEMBLY VALVE HYDRAULIC REMOTE POPPET TYPE	1
18-1	D11215710AA.9	COUPLING ASSEMBLY VALVE HYDRAULIC REMOTE POPPET TYPE	1
19	D11468850AA.9	TUBE ASSEMBLY DCV TO HYDRAULIC LIFT INLET	1
20	D11564810AA.9	TUBE ASSEMBLY HYDRAULIC CONNECTOR TO CONNECTOR	1
21	D10607360.9	TUBE ASSEMBLY HYDRAULIC PRESSURE TANDEM PUMP TO CONNECTOR	1
22	D10607340.9	TUBE ASSEMBLY HYDRAULIC PRESSURE CONNECTOR FRONT	1
23	D10402170.9	CLAMP ASSEMBLY TUBING HYDRAULIC PRESSURE 1	1
24	D10006500.9	PLUG M18X1.5X12-6.8 HEX HEAD	1
25	D81500360.9	BOLT M6X1.00X16-9.8 HEX HEAD	1
26	D81500200.9	BOLT M10X1.50X20-6.6 HEX HEAD	1
27	D85500110.9	WASHER M6 FLAT	1
28	D86500050.9	WASHER M10 SPRING LOCK	1
28-1	D86500050AC.9	WASHER M10 SPRING LOCK	1
29	D10413940.9	GROMMET TUBE RETURN STEERING MOTOR TO RESERVOIR	1
30	D10548020.9	CLAMP TUBE HOLDING DIA 12	1
31	D10609280.9	BRACKET ASSEMBLY HYDRAULIC TUBE HOLDING	1
32	D83500070.9	NUT M6X1.00-6 HEX	1

TABLE-106
PUMP HYDRAULIC LIFT ASSEMBLY

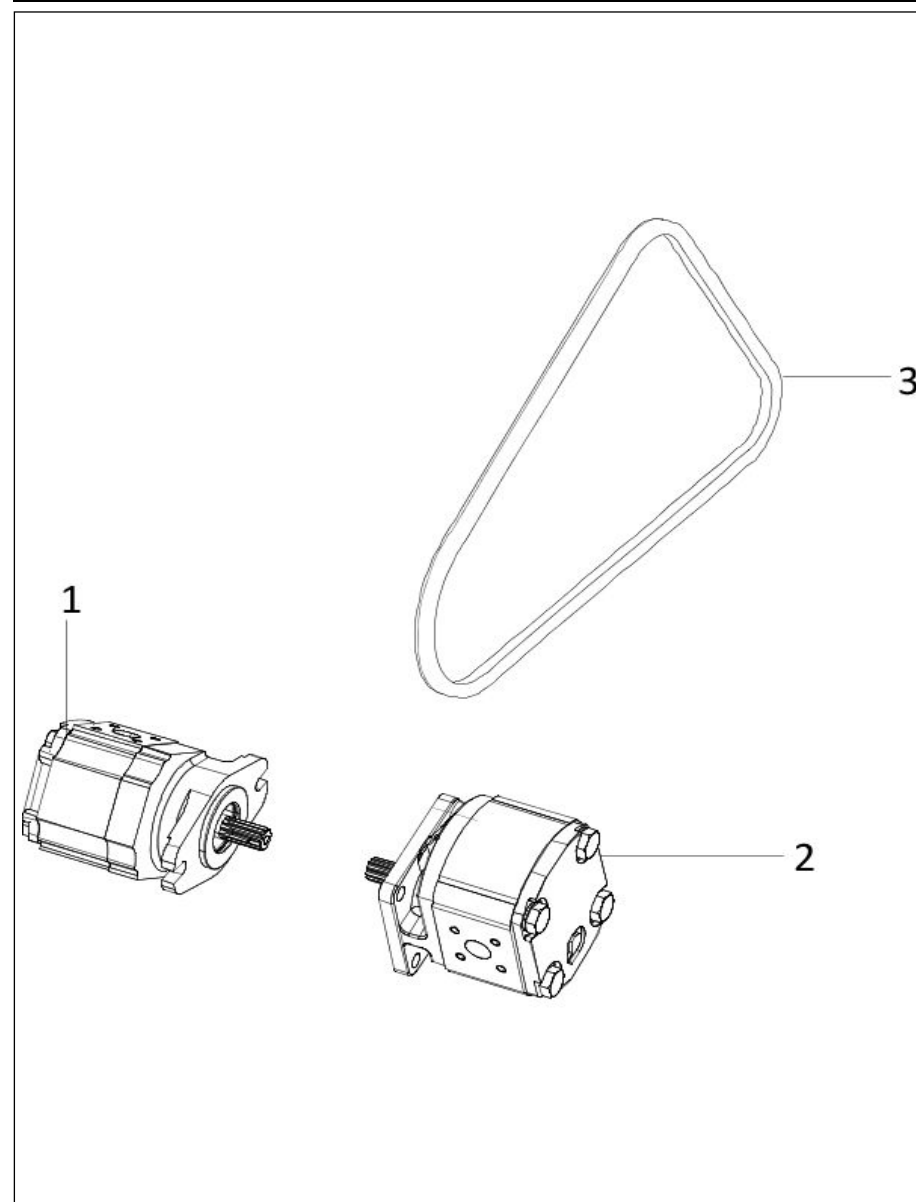


TABLE-106
PUMP HYDRAULIC LIFT ASSEMBLY

Fig. No.	Part No.	Description	Qty
1	D10525430.9	PUMP ASSEMBLY HYDRAULIC LIFT OIL (6 CC)	1
2	D10525420.9	PUMP ASSEMBLY HYDRAULIC LIFT OIL (8 CC)	1
3	D11466280AA.9	BELT FAN DRIVE	1

TABLE-107
HYDRAULIC LIFT SUBASSEMBLY (COMPACT WITH FCV AND PC LEVER ONLY)

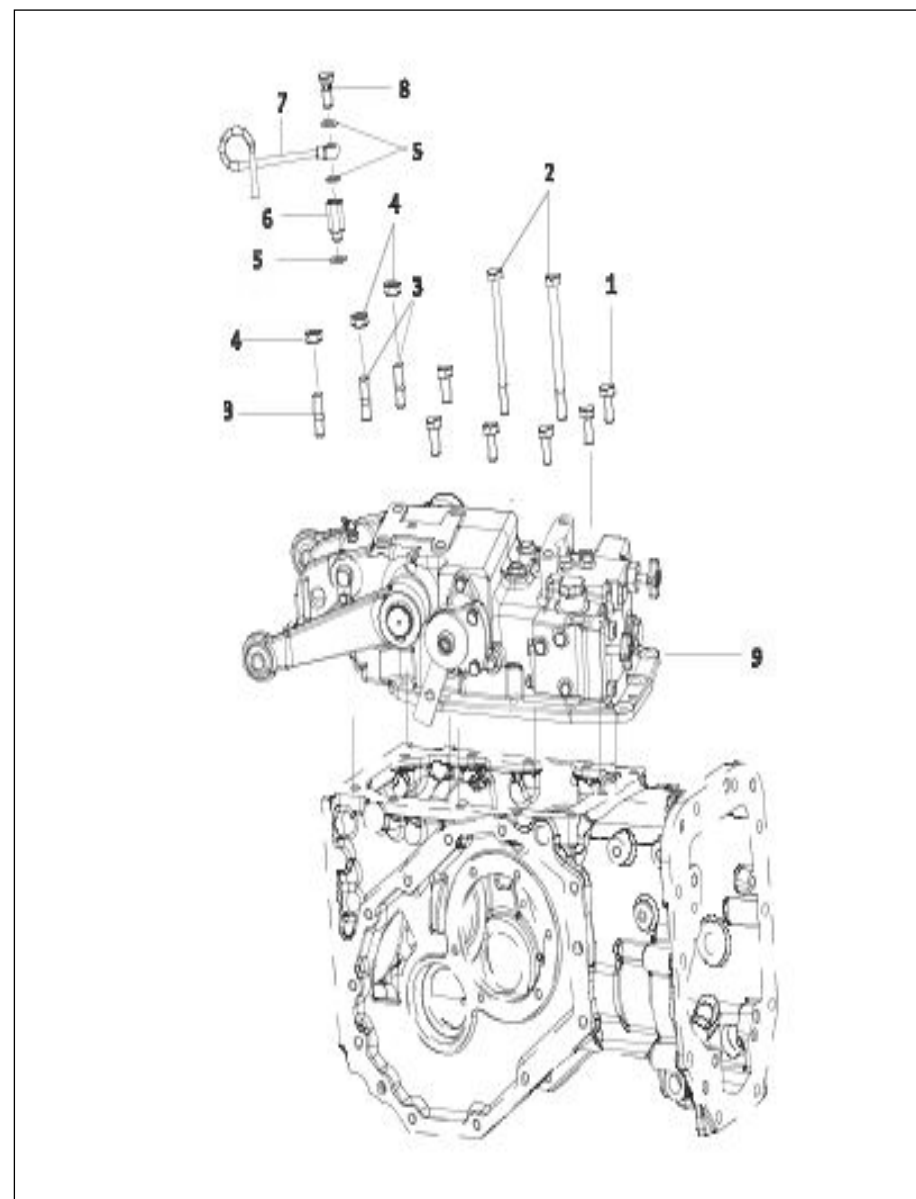


TABLE-107**HYDRAULIC LIFT SUBASSEMBLY (COMPACT WITH FCV AND PC LEVER ONLY)**

Fig. No.	Part No.	Description	Qty
1	D81503300.9	BOLT M10X1.50X28-10.9 HEX HEAD	6
2	D81501790.9	BOLT M10X1.5X125-8.8	2
3	D84500340.9	STUD B M10X1.5X40-10.9	3
4	D83500130.9	NUT M10X1.50-10P HEX	3
5	D10007280.9	WASHER COPPER SEALING	3
6	D11212960AA.9	CONNECTOR M10 X 1.0 AND M10 X 1.0 STUD END	1
7	D11221980AA.9	PIPE ASSEMBLY BREATHER COMPACT	1
8	D10248190.9	BOLT PIPE UNION M10X1.0X25 HEX HEAD	1
9	D11563900AA.9	HYDRAULIC LIFT ASSEMBLY WITH FCV AND PC LEVER ONLY	1
9-1	D11563900AB.9	HYDRAULIC LIFT ASSEMBLY COMPACT (WITH FCV AND PC LEVER ONLY)	1
10	D95013250.9	SEALANT LIQUID ANAEROBIC (HIGHER STRENGTH)	15

TABLE-108
LINKAGE THREE POINT SUBASSEMBLY

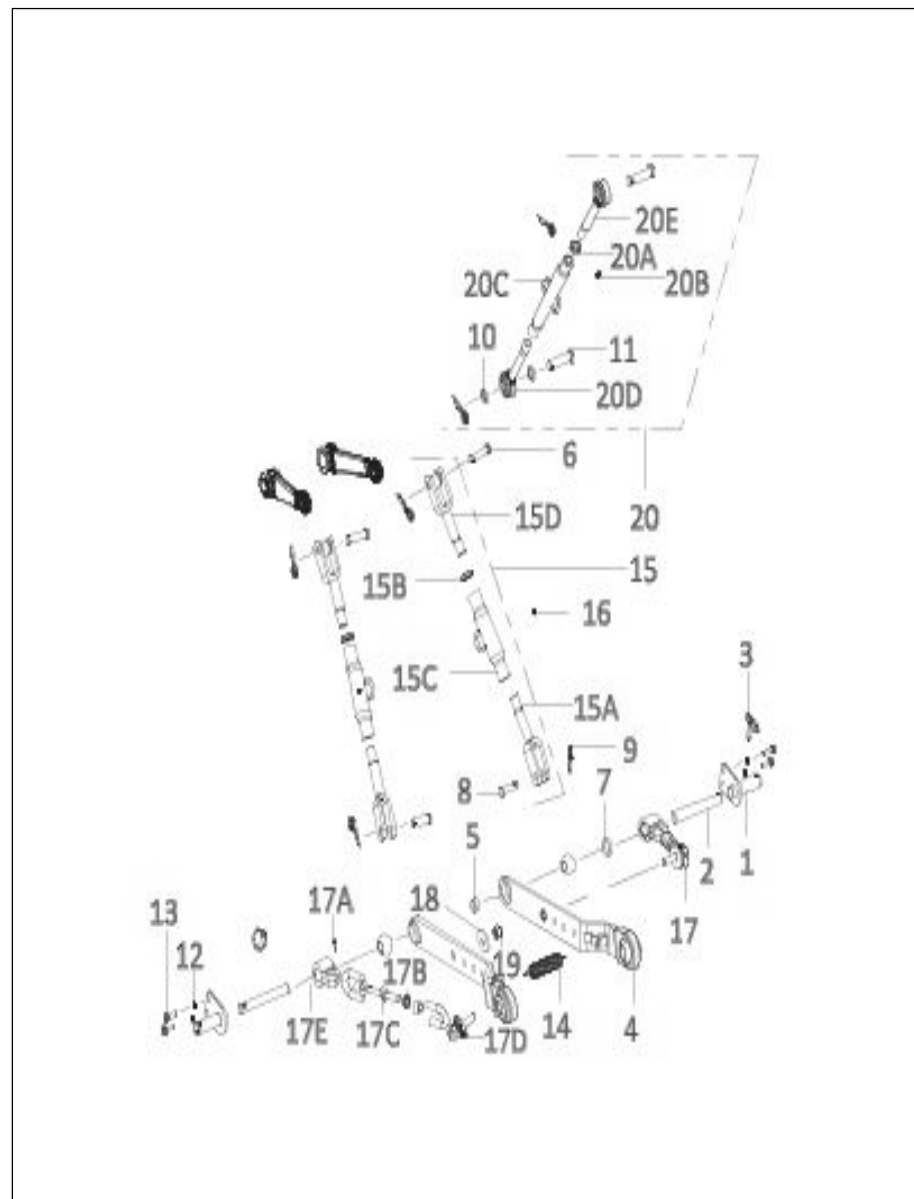


TABLE-108
LINKAGE THREE POINT SUBASSEMBLY

Fig. No.	Part No.	Description	Qty
1	D10773380.9	PIN ASSEMBLY LOWER LINK MOUNTING	2
2	D10773400.9	PIN LOWER LINK MOUNTING	2
3	D10212630.9	PIN LYNCH LOCKING ASSEMBLY	2
4	D10835740AB.9	LINK ASSEMBLY HYDRAULIC LOWER LINK	2
5	D10551310.9	WASHER M23X12.5 LOWER LINK MOUNTING	2
6	D10850740.9	PIN UPPER HYDRAULIC LIFT LEVELING	2
7	D10551300.9	WASHER M30X4.5 LOWER LINK MOUNTING	2
8	D10850750.9	PIN LOWER HYDRAULIC LIFT LEVELING	2
9	D87500530.9	PIN 4.0X75 SPRING R TYPE DOUBLE COIL (IS:6483)	6
10	D85500470.9	WASHER M20X30X5.0 FLAT	2
11	D10554400.9	PIN HYDRAULIC LIFT UPPER	2
12	D86500050.9	WASHER M10 SPRING LOCK	4
13	D81502320.9	BOLT M10X1.50X30-10.9 HEX HEAD	4
14	D10753620.9	SPRING LOWER LINK HOLDING	1
15	D10848220.9	ROD ASSEMBLY HYDRAULIC LIFT LEVELING	2
15A	D10848300.9	ROD AND FORK UPPER ASSEMBLY HYDRAULIC LIFT LEVELLING ROD LH	1
15B	D83501080.9	NUT M24X3.0X10 LOCK (RH THREAD)	1
15C	D10848270.9	SLEEVE ASSEMBLY HYDRAULIC LIFT LEVELLING ROD	1
15D	D10848230.9	ROD AND FORK UPPER ASSEMBLY HYDRAULIC LIFT LEVELLING ROD RH	1
16	D92500010.9	GREASE NIPPLE B M6	5
17	D10835760AB.9	CHAIN ASSEMBLY LOWER LIFT LINK CHECK	2
17A	D88400260.9	PIN 2.5X22.5 COTTER	1
17B	D83501390AA.9	NUT M16X2 LOCK	1
17C	D11238910AA.9	ROD THREADED LIFT LINK CHECK CHAIN	1
17D	D11238930AA.9	LINK ASSEMBLY RH CHECK CHAIN	1
17E	D11238900AA.9	LINK ASSEMBLY LH CHECK CHAIN	1
18	D86500250.9	WASHER M16 FLAT DIA 50	2
19	D83500980.9	NUT M16X2.0X8.8 HEX NYLOCK	2
20	D10848120AB.9	LINK ASSEMBLY HYDRAULIC UPPER LIFT	1
20A	D10848210.9	NUT M22X2.5X11 LOCK (RH THREAD)	1
20B	D10848180.9	SLEEVE ASSEMBLY HYDRAULIC UPPER LIFT LINK	1
20C	D10848160AB.9	LINK AND BALL ASSEMBLY HYDRAULIC LIFT UPPER RH	1
20D	D10848130AB.9	LINK AND BALL ASSEMBLY HYDRAULIC UPPER LH	1

TABLE-109
SWINGING DRAWBAR SUB ASSEMBLY

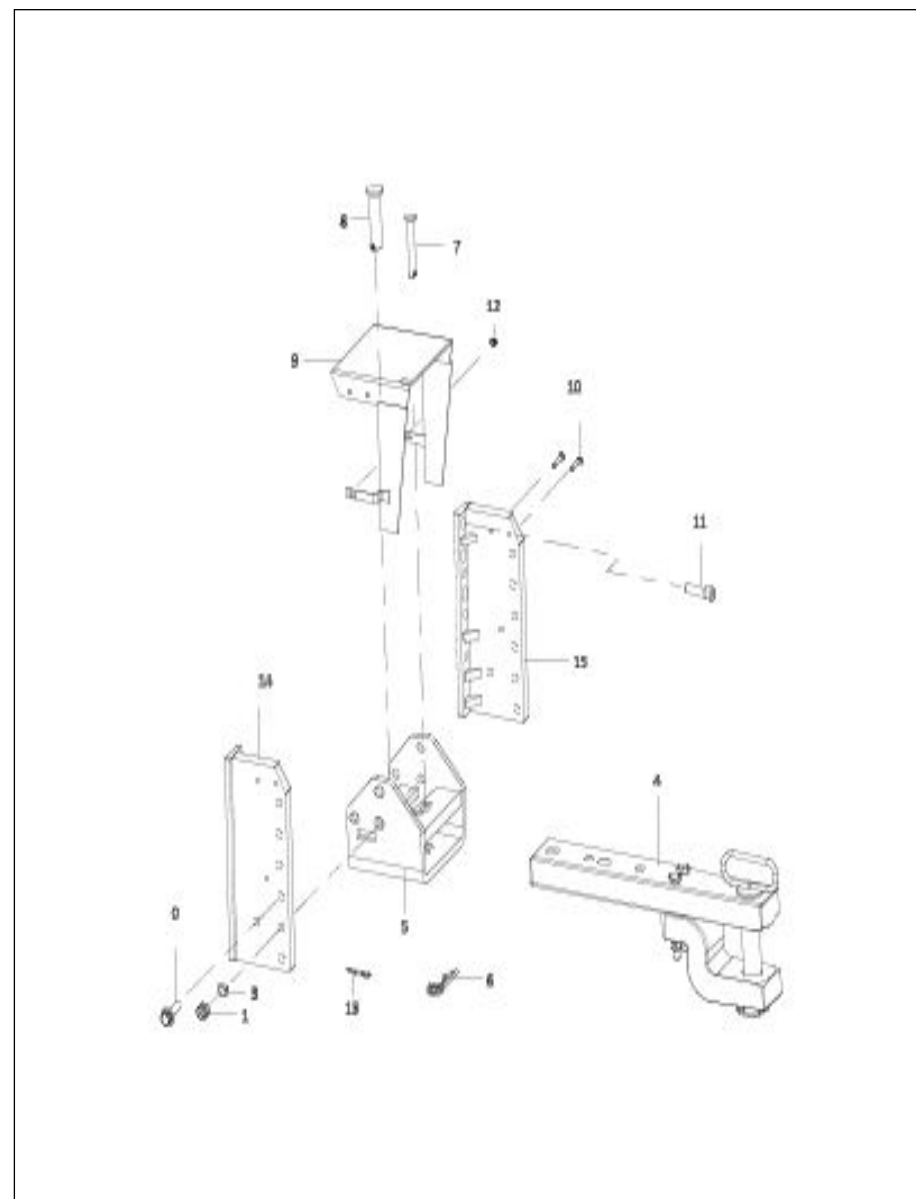


TABLE-109
SWINGING DRAWBAR SUB ASSEMBLY

Fig. No.	Part No.	Description	Qty
1	D83500760.9	NUT M12X1.75-6 HEX (GRADE 10.9)	6
2	D10007150.9	BOLT M12X1.75X45-10.9 HEX HEAD	6
3	D86500020.9	WASHER M12 SPRING LOCK	14
4	D10902370AB.9	SWINGING DRAWBAR ASSEMBLY	1
5	D10902740AA.9	BRACKET SWINGING DRAWBAR MOUNTING ASSEMBLY	1
6	D87500530.9	PIN 4.0X75 SPRING R TYPE DOUBLE COIL (IS:6483)	1
7	D10904630AA.9	PIN GUIDING SWINGING DRAWBAR MOUNTING	1
8	D10904640AA.9	PIN LOADING SWINGING DRAWBAR MOUNTING	1
9	D10941900AA.9	GUARD PTO ASSEMBLY	1
10	D81505100AA.9	BOLT M5X0.8X30-8.8 HEX HEAD	6
11	D81503350.9	BOLT M12X1.75X40-10.9 ALLEN	8
12	D83500010.9	NUT M5X0.8-6 PLATED	2
13	D87500500.9	PIN 2X51 SPRING R TYPE (IS:6483)	1
14	D10937120AB.9	BRACKET ASSEMBLY TOW HOOK MOUNTING LH	1
15	D10937130AB.9	BRACKET ASSEMBLY TOW HOOK MOUNTING RH	1

230

TABLE-110
HARNESS SUBASSEMBLY

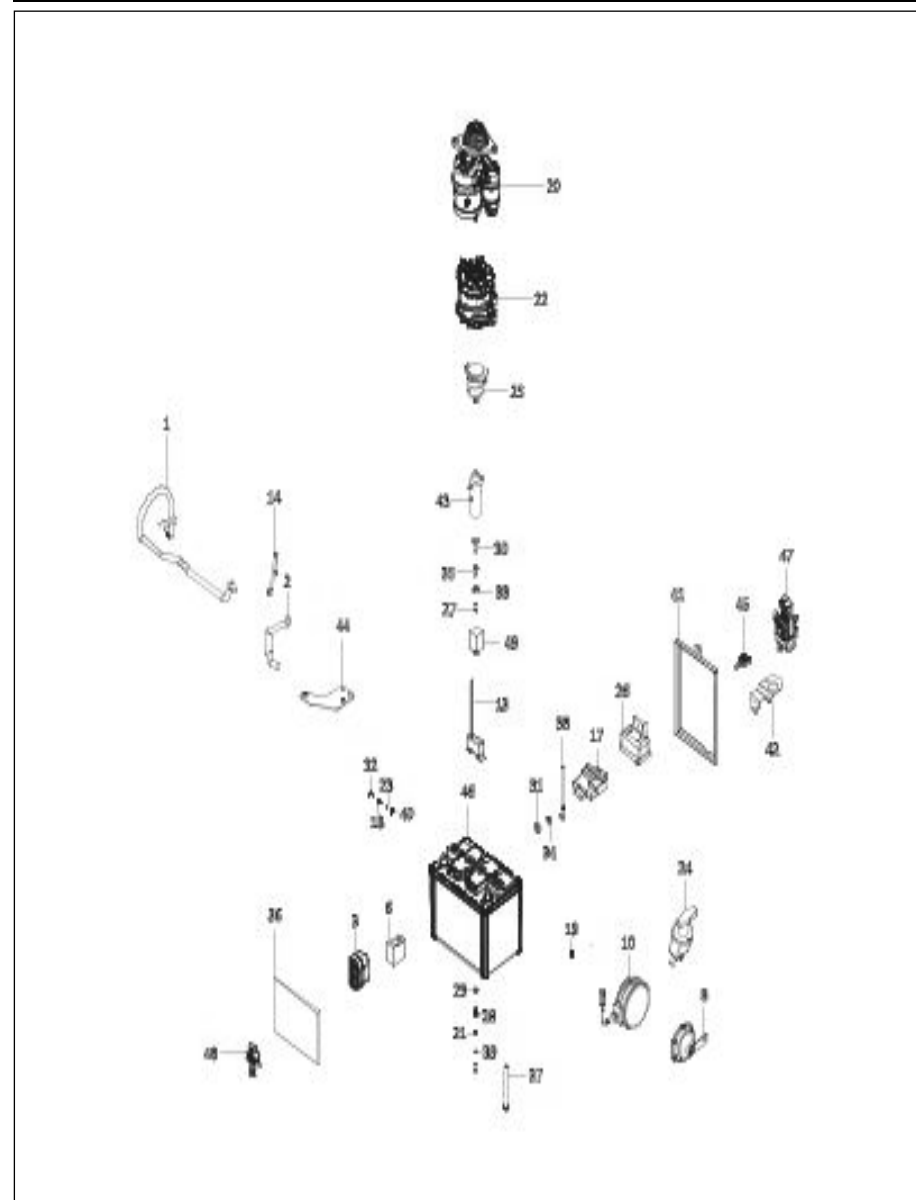


TABLE-110
HARNESS SUBASSEMBLY

Fig. No.	Part No.	Description	Qty
1	D10569020.9	CABLE ASSEMBLY BATTERY ISOLATOR TO STARTER SOLENOID	1
2	D10569030.9	CABLE ASSEMBLY BATTERY POSITIVE TO ISOLATOR	1
3	D10589150.9	LAMP ASSEMBLY VEHICLE REGISTRATION PLATE	1
4	D10605830.9	HARNESS ASSEMBLY PROJECTOR LAMP	1
5	D10763130AE.9	HARNESS ASSEMBLY INSTRUMENT PANEL	1
6	D10656110.9	UNIT ENGINE SHUT OFF CONTROLLER RELAY (SEAT OCCUPANCY)	1
7	D10606100AB.9	HARNESS PLOUGH LAMP AND HAZARD LAMP	1
8	D10028020.9	HORN AND BRACKET ASSEMBLY	1
9	D10605810.9	HARNESS ASSEMBLY FENDER RH	1
10	D10601250.9	LAMP ASSEMBLY HAZARD	2
11	D10605820AC.9	HARNESS TRAILER SOCKET	1
12	D10605800.9	HARNESS ASSEMBLY FENDER LH	1
13	D10601240.9	CONVERTER (DC 12V TO DC 5V)	1
14	D10763140AD.9	HARNESS ASSEMBLY INSTRUMENT PANEL TO RUNNING BOARD	1
15	D10769550AD.9	HARNESS ASSEMBLY ELECTRICAL MAIN	1
16	D10561440.9	CABLE ASSEMBLY BATTERY TO STARTER GROUND	1
16-1	D10561440AB.9	LINK ASSEMBLY HYDRAULIC LIFT CONTROL VALVE ACTUATING	1
17	D10605760.9	FLASHER ASSEMBLY INDICATOR LIGHT (USA)	1
18	D10016990.9	SCREW M4X0.70X10	2
19	D86000090.9	WASHER 1/4 LOCK EXTERNAL TOOTH	1
20	D11032490AB.9	STARTER MOTOR ASSEMBLY	1
20-1	D11032490AC.9	STARTER MOTOR ASSEMBLY	1
21	D10017930.9	NUT M6X1.00 HEX NYLOCK	1
22	D10520230.9	ALTERNATOR ASSEMBLY (42 AMPERE)	1
23	D85500190.9	WASHER M4.0 FLAT	2
24	D10480920AB.9	ISOLATOR ASSEMBLY BATTERY	1
25	D10497580.9	SOCKET ASSEMBLY TRAILER ELECTRICAL (7 PIN)	1
26	D10301710.9	CONTROL UNIT ASSEMBLY GLOW PLUG	1
27	D82501120.9	SCREW M5X0.80X16-6.6 HEX HEAD	2
28	D82500070.9	SCREW M8X1.25X15-6.8 HEX HEAD	2
30	D82500150.9	SCREW M10X1.50X25-8.8 HEX HEAD	3
31	D10525010.9	SPACER ALTERNATOR ADJUSTMENT	1
32	D82500670.9	SCREW 3.5X16 PAN HEAD TAPPING (ISO 1481)	2
33	D83500090.9	NUT M10X1.50-8 HEX	2
34	D83000080.9	NUT 5/16"-18 HEX	2
35	D81500110.9	BOLT M8X1.25X20-8.8 HEX HEAD	2
36	D10547100.9	RUBBER PAD BATTERY SUPPORT	1
37	D81500470.9	BOLT M10X1.50X115 HEX HEAD	1
38	D10547090AD.9	ROD BATTERY HOLD DOWN LH	2
39	D85500090.9	WASHER M5 FLAT	2

TABLE-110
HARNESS SUBASSEMBLY

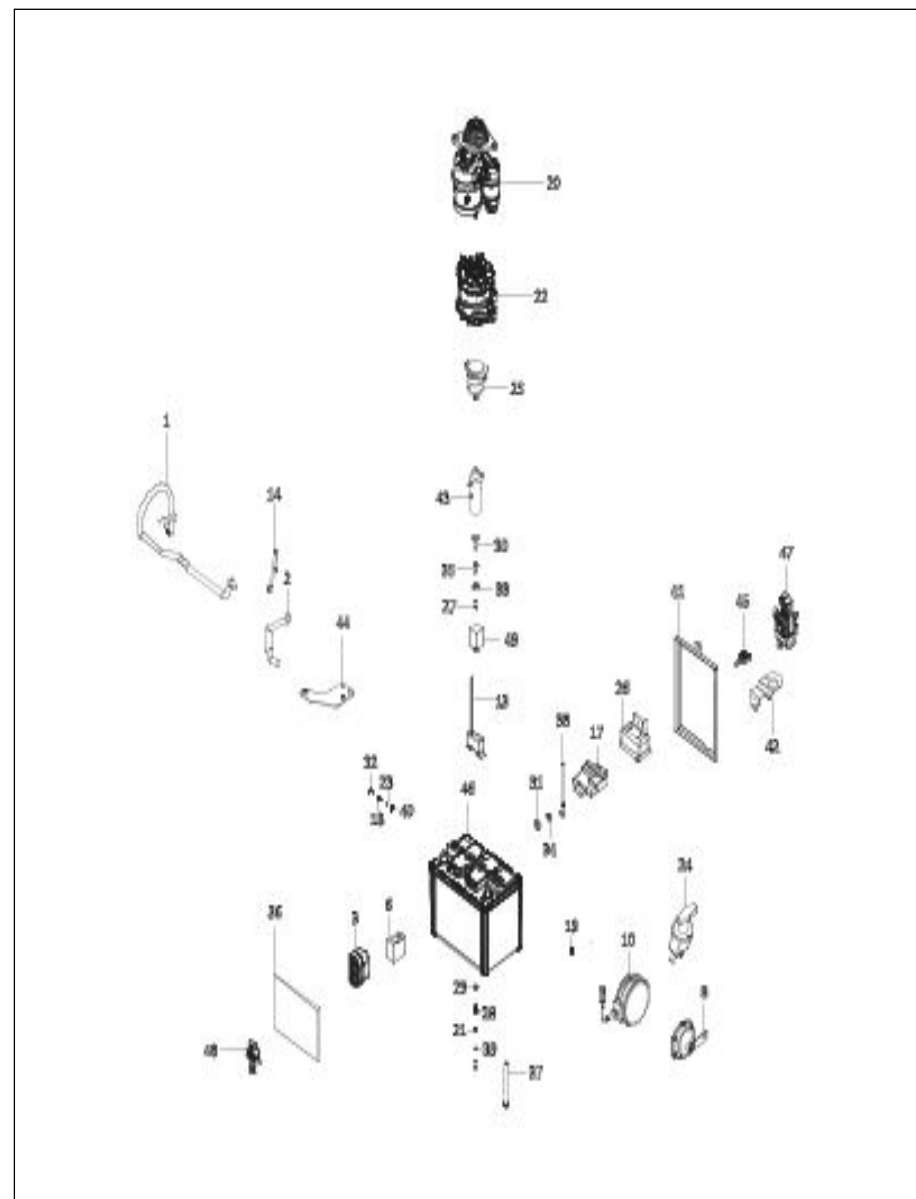


TABLE-110
HARNESS SUBASSEMBLY

Fig. No.	Part No.	Description	Qty
40	D94500010.9	WASHER M6 LOCK EXTERNAL TOOTH	3
41	D10584540.9	BRACKET ASSEMBLY TOP BATTERY HOLD	1
42	D10568430.9	BRACKET BATTERY CUTOFF SWITCH MOUNTING	1
43	D10499700.9	PLUG ASSEMBLY TRAILER ELECTRICAL (7 PIN)	1
44	D10604090.9	BRACKET ASSEMBLY FUSE BOX MOUNTING ENGINE	1
45	D10786890.9	KEY IGNITION LOCK FARMTRAC	1
46	D10531830.9	BATTERY ASSEMBLY MAINTENANCE FREE TYPE 12V 65AH	1
47	D10601230.9	ELECTRONIC THROTTLE CONTROL	1
48	D10768840.9	SWITCH ASSEMBLY NC/NO TYPE	2
49	D10768850.9	UNIT CRUISE CONTROLLER	1

TABLE-111
HOOD FRONT SUBASSEMBLY

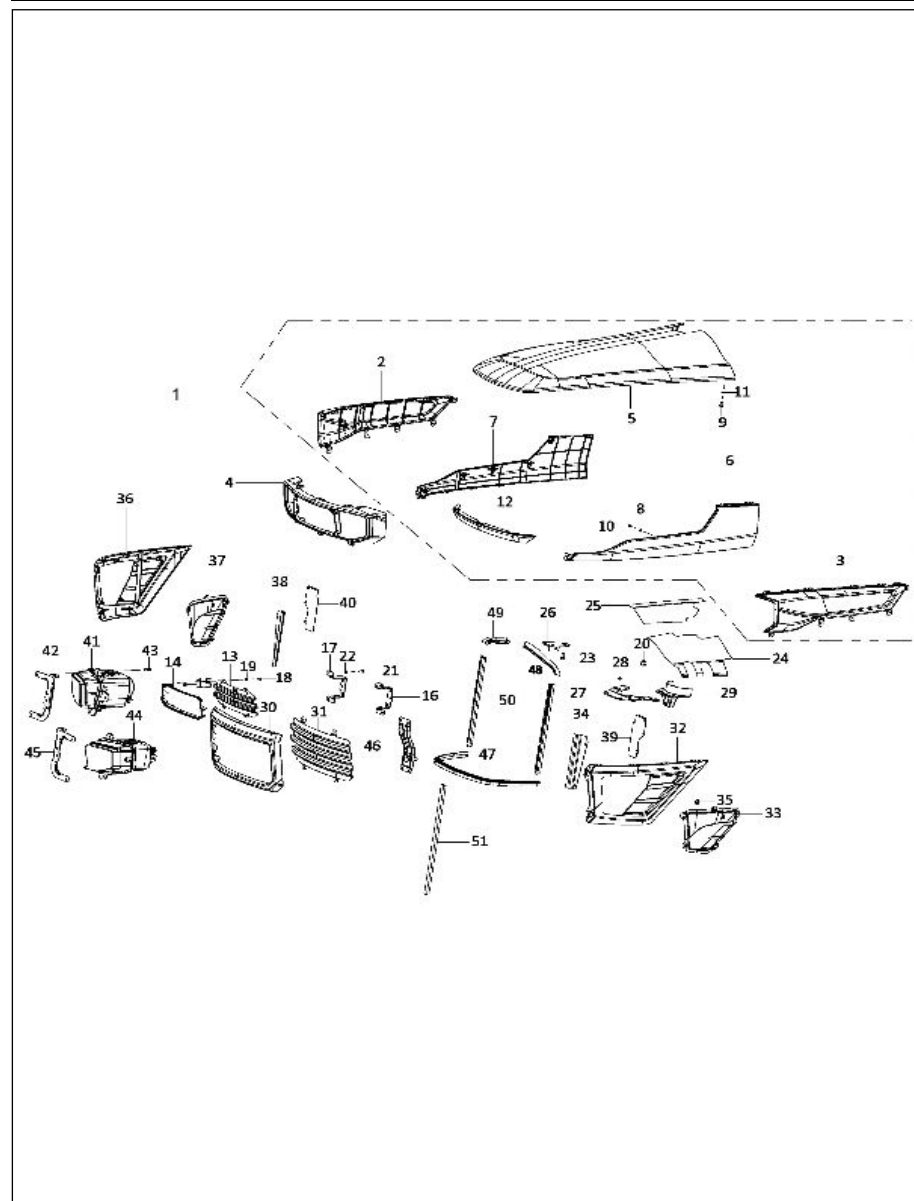


TABLE-111
HOOD FRONT SUBASSEMBLY

Fig. No.	Part No.	Description	Qty
1	D10563880.9	HOOD TOP FRONT ASSEMBLY	1
2	D10563930.9	PANEL CLADDING HOOD SIDE RH	1
3	D10563920.9	PANEL CLADDING HOOD SIDE LH	1
4	D10563950.9	FRAME HEAD LAMP	1
5	D10563890.9	PANEL HOOD TOP	1
6	D10563900.9	PANEL HOOD SIDE LH	1
7	D10563910.9	PANEL HOOD SIDE RH	1
8	D10777370.9	WASHER M5 HOOD TOP FRONT	19
9	D10392470.9	SCREW M6 CROSS RECESSED	15
10	D82501160.9	SCREW M5X0.80X10 CROSS RECESSED PAN HEAD	19
11	D10777380.9	WASHER M6 HOOD TOP FRONT	11
12	D10563940.9	PANEL HOOD FRONT MIDDLE	1
13	D10559820.9	MESH TOP FRONT	1
14	D10563960.9	BEZEL HOOD FRONT CHROME	1
15	D85500550.9	WASHER STAR LOCK 6.0 DIA	6
16	D10575660.9	BRACKET HEAD LAMP MOUNTING FRAME LOWER LH	1
17	D10575670.9	BRACKET HEAD LAMP MOUNTING FRAME LOWER RH	1
18	D82500030.9	SCREW M5X0.80X10-6.6 HEX HEAD	4
19	D85500090.9	WASHER M5 FLAT	4
20	D10568750.9	CLAMP WIRING HARNESS	6
21	D82500220.9	SCREW M6X1.00X15-8.8 HEX HEAD	30
22	D85500040.9	WASHER M6 FLAT	62
23	D81501580.9	BOLT M8X1.25X16 HEX HEAD FLANGED	7
24	D10576960.9	SHEET HEAT INSULATION HOOD TOP PANEL	1
25	D10576970.9	SHEET HEAT INSULATION HOOD SIDE PANEL LH	1
26	D10659950.9	BRACKET ASSEMBLY GAS STRUT MOUNTING FRONT	1
27	D10662370.9	BRACKET HINGE TOP FRONT HOOD	1
28	D83500220.9	NUT M6X1.00-5 HEX	13
29	D10808860.9	COVER AIR DEFLECTOR HOOD FRONT	1
30	D10563990.9	PANEL HOOD FRONT LOWER	1
31	D10559790.9	MESH LOWER FRONT	1
32	D10563970.9	PANEL HOOD FRONT LOWER SIDE LH	1
33	D10559800.9	MESH SIDE LH	1
34	D10568050.9	BRACKET RADIATOR SEALING SIDE LOWER LH	1
35	D85500560.9	WASHER STAR LOCK 10.0 DIA	10
35-1	D12321180AA.9	CLIP LOCKING 9.5	10
36	D10563980.9	PANEL HOOD FRONT LOWER SIDE RH	1
37	D10559810.9	MESH SIDE RH	1
38	D10568060.9	BRACKET RADIATOR SEALING SIDE LOWER RH	1
39	D10568030.9	BRACKET RADIATOR SEALING SIDE UPPER LH	1

TABLE-111
HOOD FRONT SUBASSEMBLY

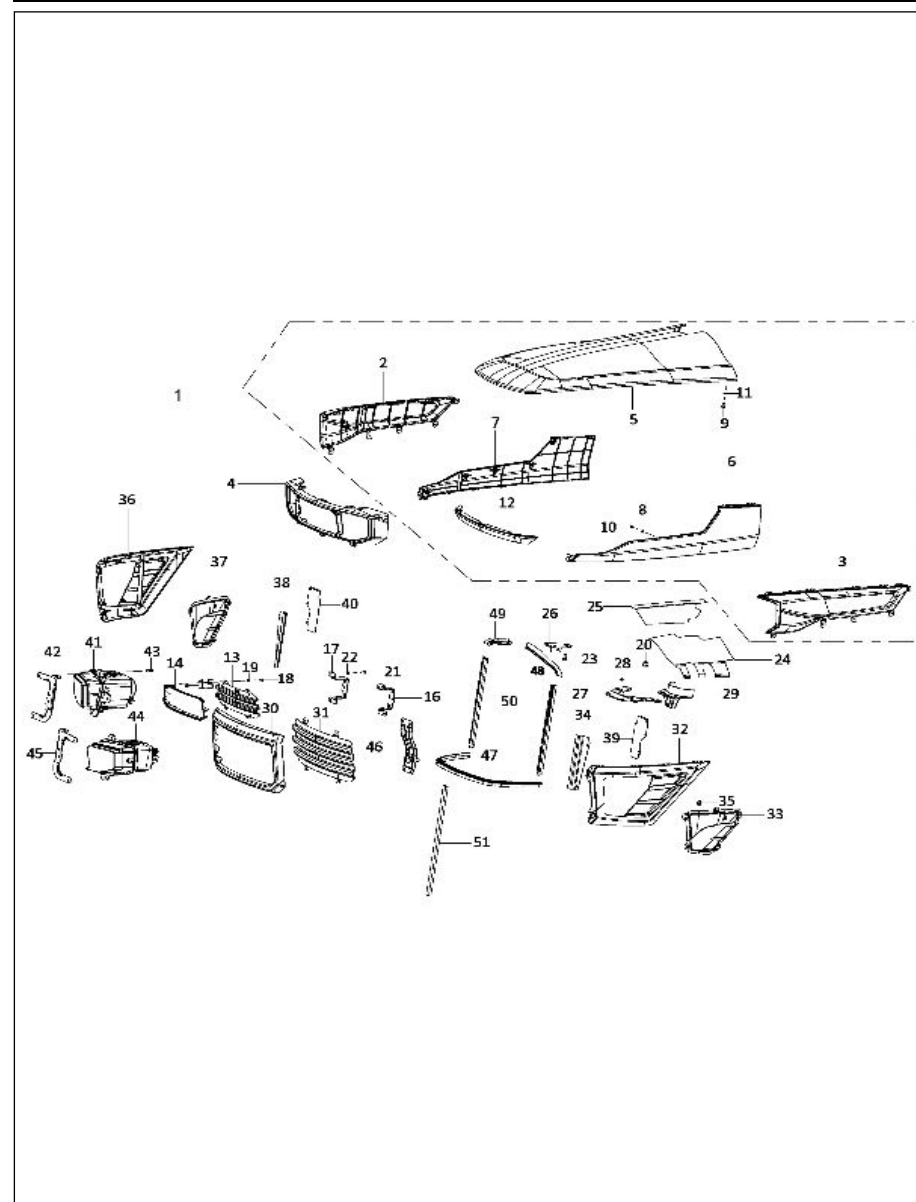


TABLE-111
HOOD FRONT SUBASSEMBLY

Fig. No.	Part No.	Description	Qty
40	D10568040.9	BRACKET RADIATOR SEALING SIDE UPPER RH	1
41	D10570600.9	HEAD LAMP ASSEMBLY LHD (RH)	1
42	D10575650.9	BRACKET HEAD LAMP MOUNTING FRAME RH	1
43	D10034950.9	SCREW M6X1.00X20-6.6 HEX HEAD	17
44	D10570590.9	HEAD LAMP ASSEMBLY LHD (LH)	1
45	D10575640.9	BRACKET HEAD LAMP MOUNTING FRAME LH	1
46	D10562250.9	BRACKET ASSEMBLY PIN MOUNTING LATCH HOOD	1
47	D10568390.9	BEADING FRONT HOOD LOWER	1
48	D10568350.9	BEADING RADIATOR SEALING TOP LH	1
49	D10568360.9	BEADING RADIATOR SEALING TOP RH	1
50	D10568370.9	BEADING RADIATOR SEALING SIDE	2
51	D10573740.9	FOAM SEALING HEAD LAMP	2

TABLE-112
HOOD REAR SUBASSEMBLY (HST)

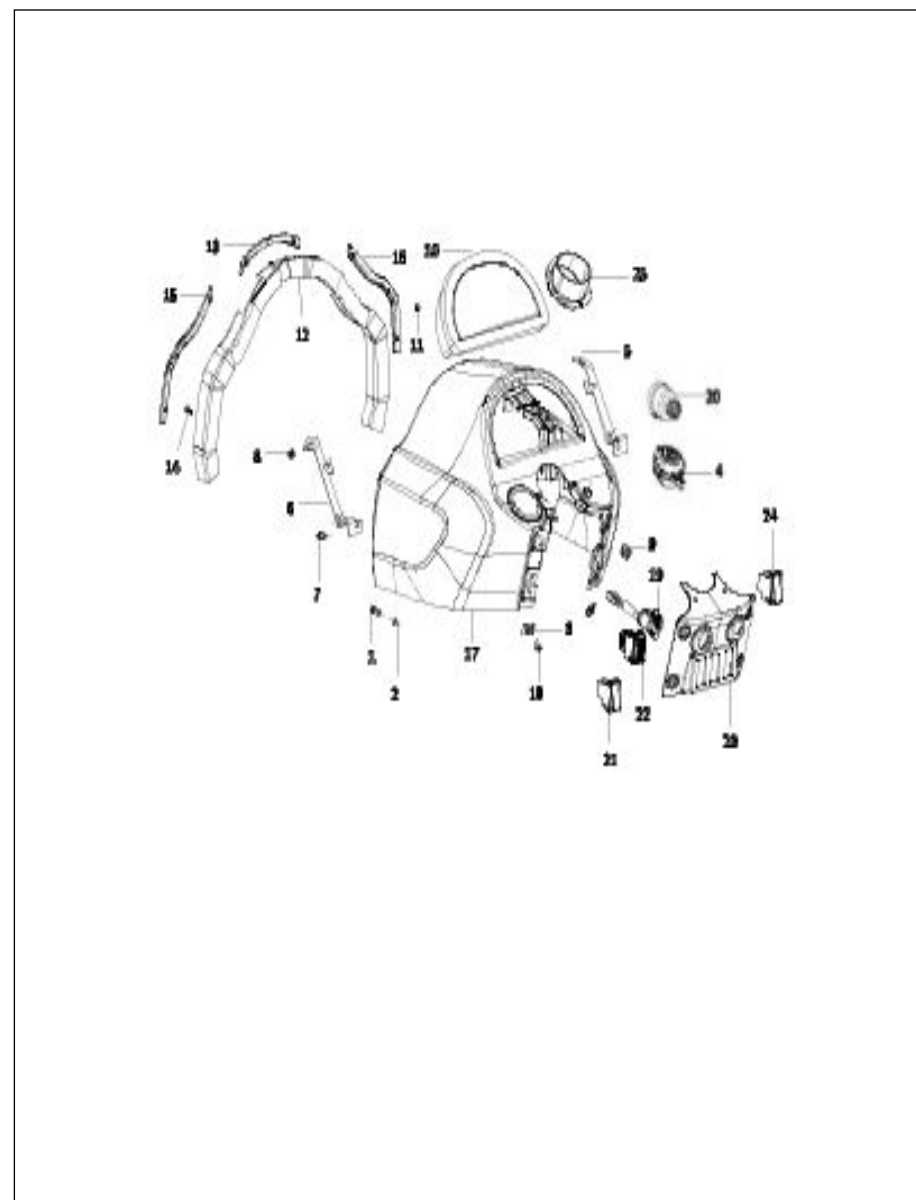


TABLE-112
HOOD REAR SUBASSEMBLY (HST)

Fig. No.	Part No.	Description	Qty
1	D82500220.9	SCREW M6X1.00X15-8.8 HEX HEAD	4
2	D85500040.9	WASHER M6 FLAT	12
3	D10565480.9	CLIP NUT M6	6
4	D10560720.9	SWITCH ASSEMBLY COMBINATION	1
5	D10565470.9	BRACKET CLUSTER MOUNTING RH	1
6	D10565460.9	BRACKET CLUSTER MOUNTING LH	1
7	D82500050.9	SCREW M6X1.00X12-6.8 HEX HEAD	2
8	D83500220.9	NUT M6X1.00-5 HEX	2
9	D10015490.9	GROMMET HAND THROTTLE CONTROL LEVER	1
10	D10562590AI.9	CLUSTER ASSEMBLY INSTRUMENT	1
11	D83500010.9	NUT M5X0.8-6 PLATED	4
12	D10635460.9	FOAM SEALING REAR HOOD	1
13	D10978050AA.9	BEADING REAR HOOD MIDDLE	1
14	D11243840AA.9	PIN PUSH BEADING HOOD REAR	8
15	D10978060AA.9	BEADING REAR HOOD LH	1
16	D10978070AA.9	BEADING REAR HOOD RH	1
17	D10934180AB.9	HOOD ASSEMBLY REAR	1
18	D82501190.9	SCREW M6X1.0X16 TRUSS HEAD CROSS SLOTTED	8
19	D10590410.9	SOCKET MOBILE CHARGER ASSEMBLY	1
20	D10498410.9	SWITCH ASSEMBLY HEATER AND STARTER	1
21	D10842940.9	SWITCH ASSEMBLY HAZARD	1
22	D10768830.9	SWITCH ASSEMBLY CRUISE CONTROL	1
23	D10612700.9	PANEL HOOD REAR (HST)	1
24	D10609160.9	SWITCH ASSEMBLY WET CLUTCH	1
25	D11223520AA.9	GROMMET REAR HOOD	1

TABLE-113
COVER ASSEMBLY ENGINE SIDE RH

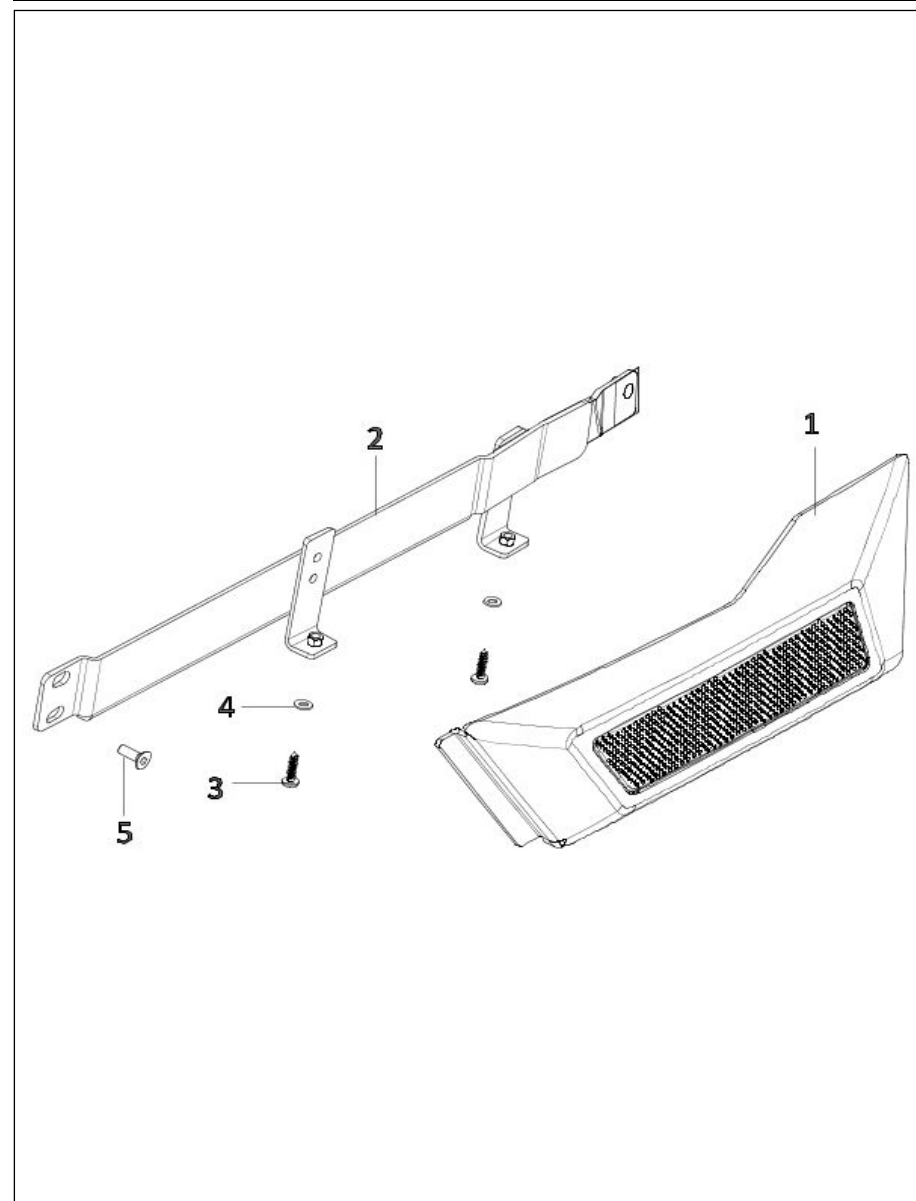


TABLE-113
COVER ASSEMBLY ENGINE SIDE RH

Fig. No.	Part No.	Description	Qty
1	D10573710AD.9	PANEL ENGINE SIDE COVER RH	1
2	D10583190AE.9	BRACKET ASSEMBLY ENGINE SIDE COVER RH	1
3	D10314430.9	SCREW M5X0.80X16 COUNTERSUNK HEAD	2
3-1	D10314430AD.9	SCREW M5X0.80X16 COUNTERSUNK HEAD	2
4	D85500090.9	WASHER M5 FLAT	2
5	D82501380.9	SCREW M6X1.0X15-8.8 COUNTERSUNK HEAD	2
5-1	D82501380AC.9	SCREW M6X1.0X15-10.9 COUNTERSUNK HEAD	2

TABLE-114
COVER ASSEMBLY ENGINE SIDE LH

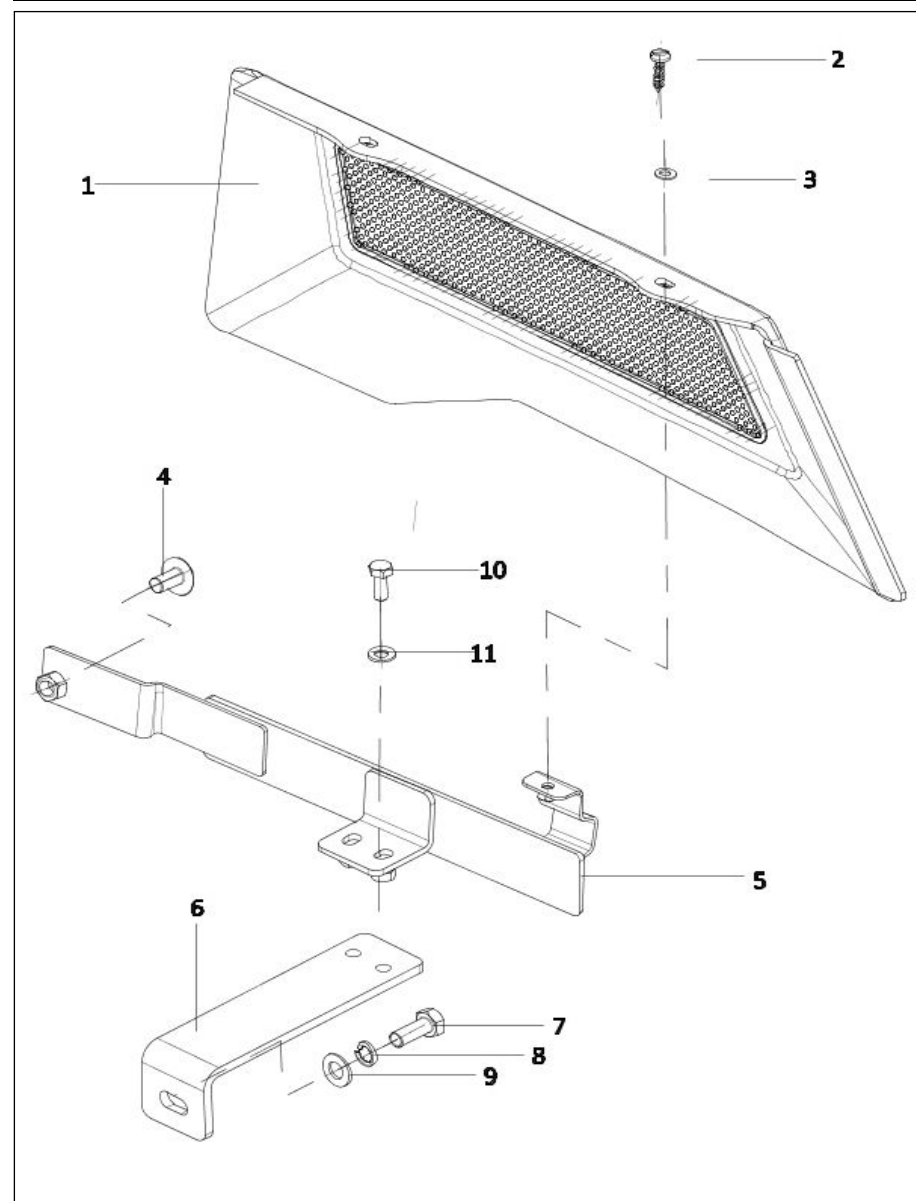


TABLE-114
COVER ASSEMBLY ENGINE SIDE LH

Fig. No.	Part No.	Description	Qty
1	D10573700AD.9	PANEL ENGINE SIDE COVER LH	1
2	D10314430.9	SCREW M5X0.80X16 COUNTERSUNK HEAD	2
3	D85500090.9	WASHER M5 FLAT	2
4	D82501140.9	SCREW M8X1.25X16 TRUSS HEAD CROSS SLOTTED	1
5	D10583180.9	BRACKET ASSEMBLY ENGINE SIDE COVER LH	1
6	D10778030.9	BRACKET ASSEMBLY ENGINE SIDE COVER INNER LH	1
7	D81500110.9	BOLT M8X1.25X20-8.8 HEX HEAD	1
8	D86500030.9	WASHER M8 SPRING LOCK	1
9	D85500050.9	WASHER M8 FLAT	1
10	D82500220.9	SCREW M6X1.00X15-8.8 HEX HEAD	2
11	D85500040.9	WASHER M6 FLAT	2

TABLE-115
LATCH ASSEMBLY HOOD FRONT

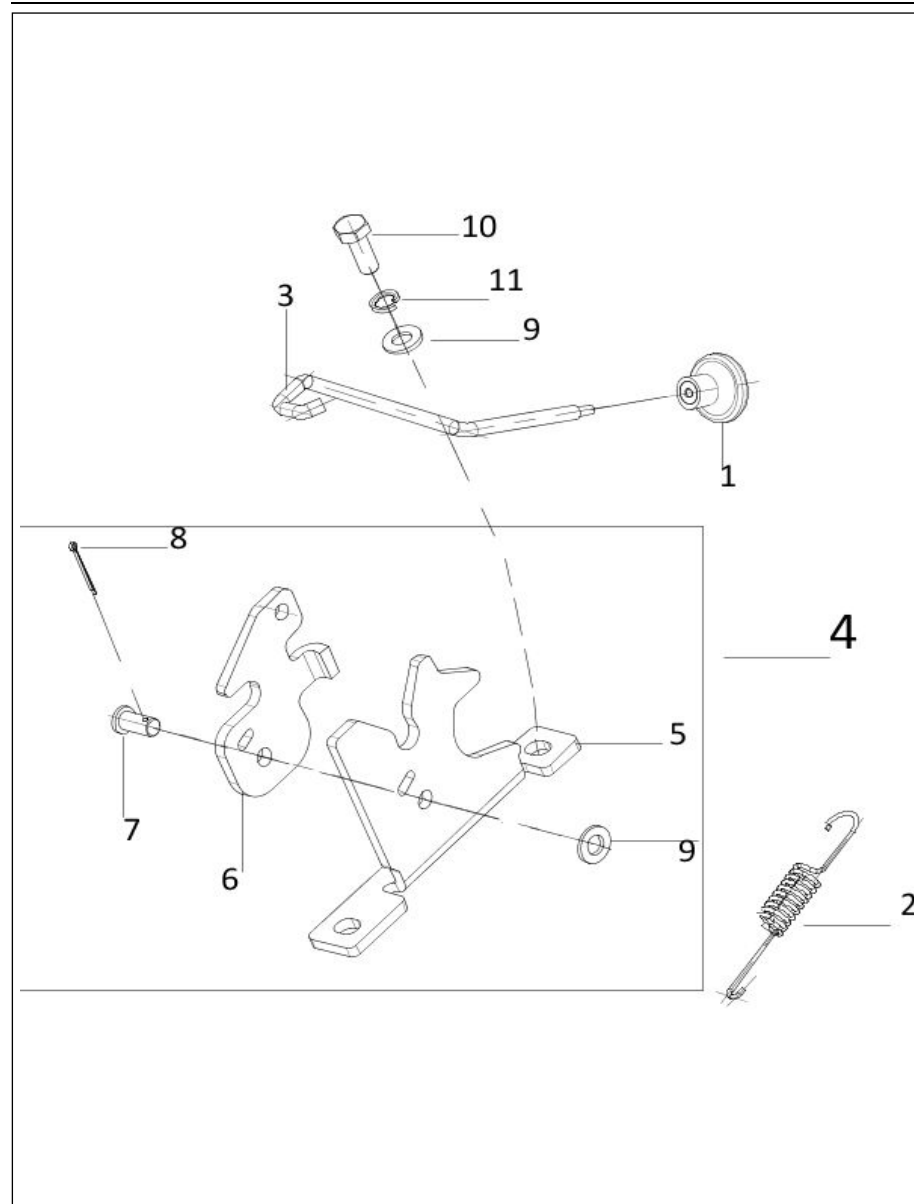


TABLE-115
LATCH ASSEMBLY HOOD FRONT

Fig. No.	Part No.	Description	Qty
1	D10587650.9	KNOB PULL ROD LATCH HOOD	1
1-1	D11728550AA.9	KNOB PULL ROD LATCH HOOD	1
2	D10560880.9	SPRING LATCH HOOD	1
3	D10560870.9	PULL ROD LATCH HOOD	1
3-1	D11728570AA.9	PULL ROD LATCH HOOD	1
4	D10560830.9	LATCH ASSEMBLY HOOD	1
5	D10560840.9	PLATE REAR LATCH HOOD	1
6	D10560850.9	PLATE FRONT LATCH HOOD	1
7	D10560890.9	PIN LATCH HOOD	1
8	D88400030.9	PIN 2.5X25.0 COTTER	1
9	D10034590.9	WASHER M8 FLAT	1
10	D81500110.9	BOLT M8X1.25X20-8.8 HEX HEAD	2
11	D86500030.9	WASHER M8 SPRING LOCK	2

TABLE-116
GUIDE SUPPORT AND GAS SPRING FRONT HOOD SUBASSEMBLY

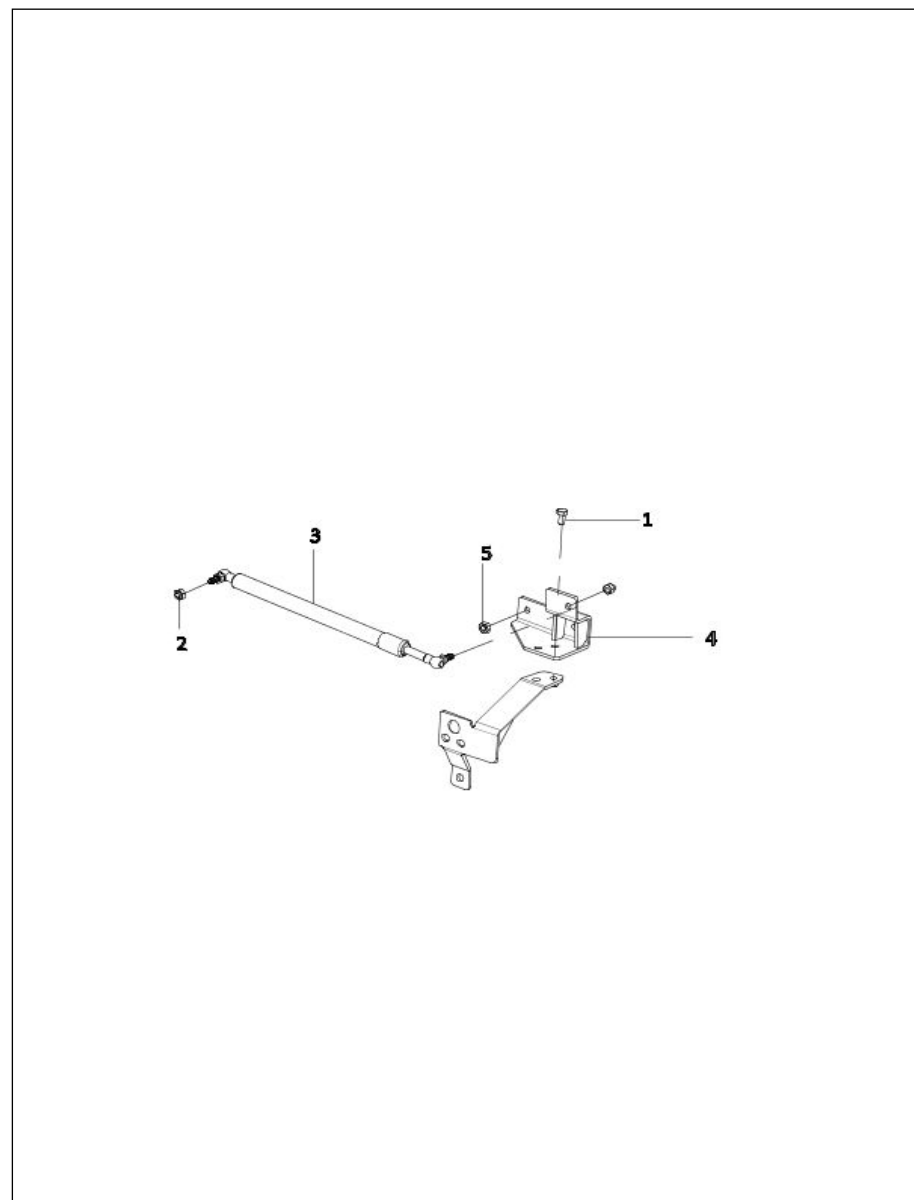


TABLE-116
GUIDE SUPPORT AND GAS SPRING FRONT HOOD SUBASSEMBLY

Fig. No.	Part No.	Description	Qty
1	D81503090.9	BOLT M8X1.25X16-8.8 HEX HEAD	2
2	D83500160.9	NUT M8X1.25 NYLOCK HEX	2
3	D10656550.9	STRUT BONNET OPENING	1
4	D10659960.9	BRACKET ASSEMBLY GAS STRUT MOUNTING REAR	1
5	D83500110.9	NUT M8X1.25-8 HEX	2

TABLE-117
GUIDE SUPPORT AND RADIATOR FRAME SUBASSEMBLY

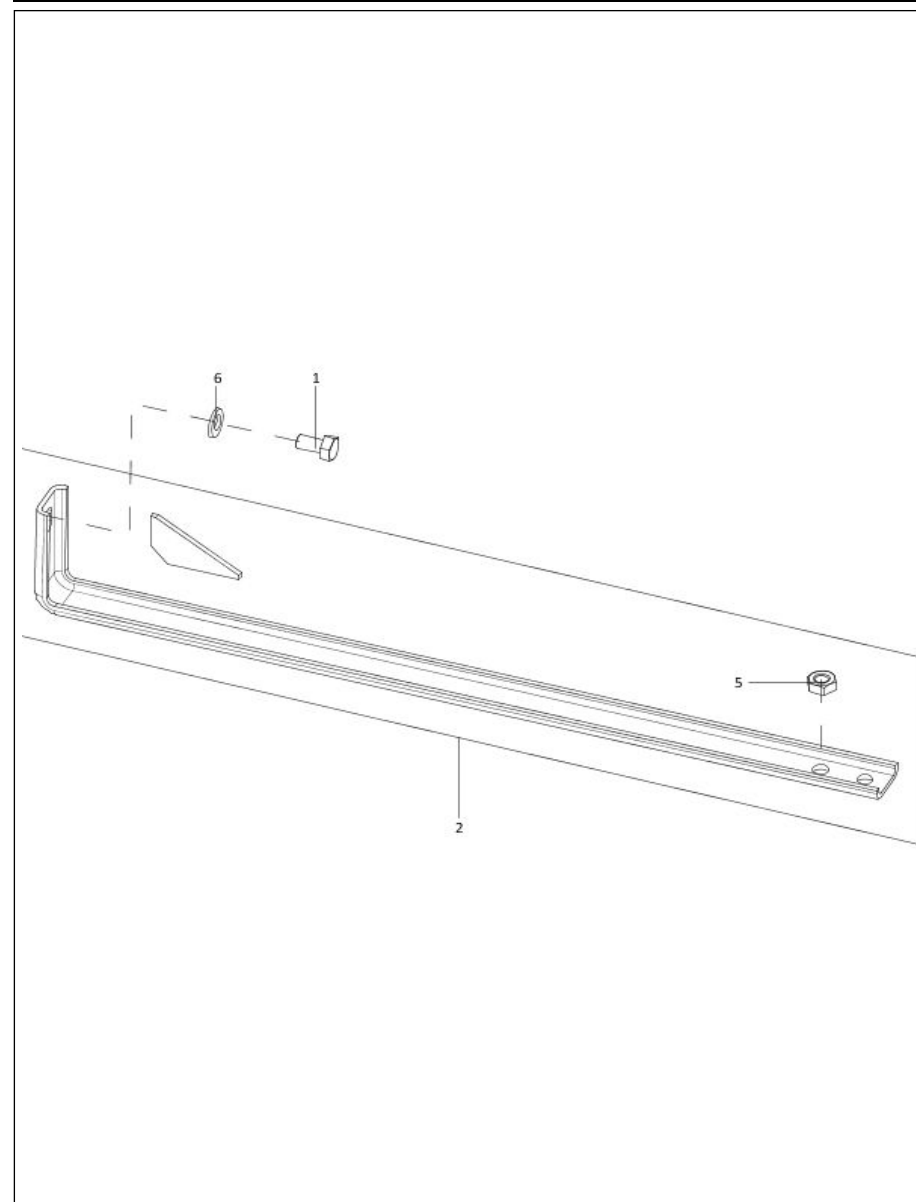


TABLE-117
GUIDE SUPPORT AND RADIATOR FRAME SUBASSEMBLY

Fig. No.	Part No.	Description	Qty
1	D81501420.9	BOLT M8X1.25X15 HEX HEAD	3
2	D11211450AA.9	BRACKET ASSEMBLY GUIDE SUPPORT LH	1
5	D83500110.9	NUT M8X1.25-8 HEX	2
6	D10034590.9	WASHER M8 FLAT	3

TABLE-118
FENDER SUBASSEMBLY (HST NON JOYSTICK)

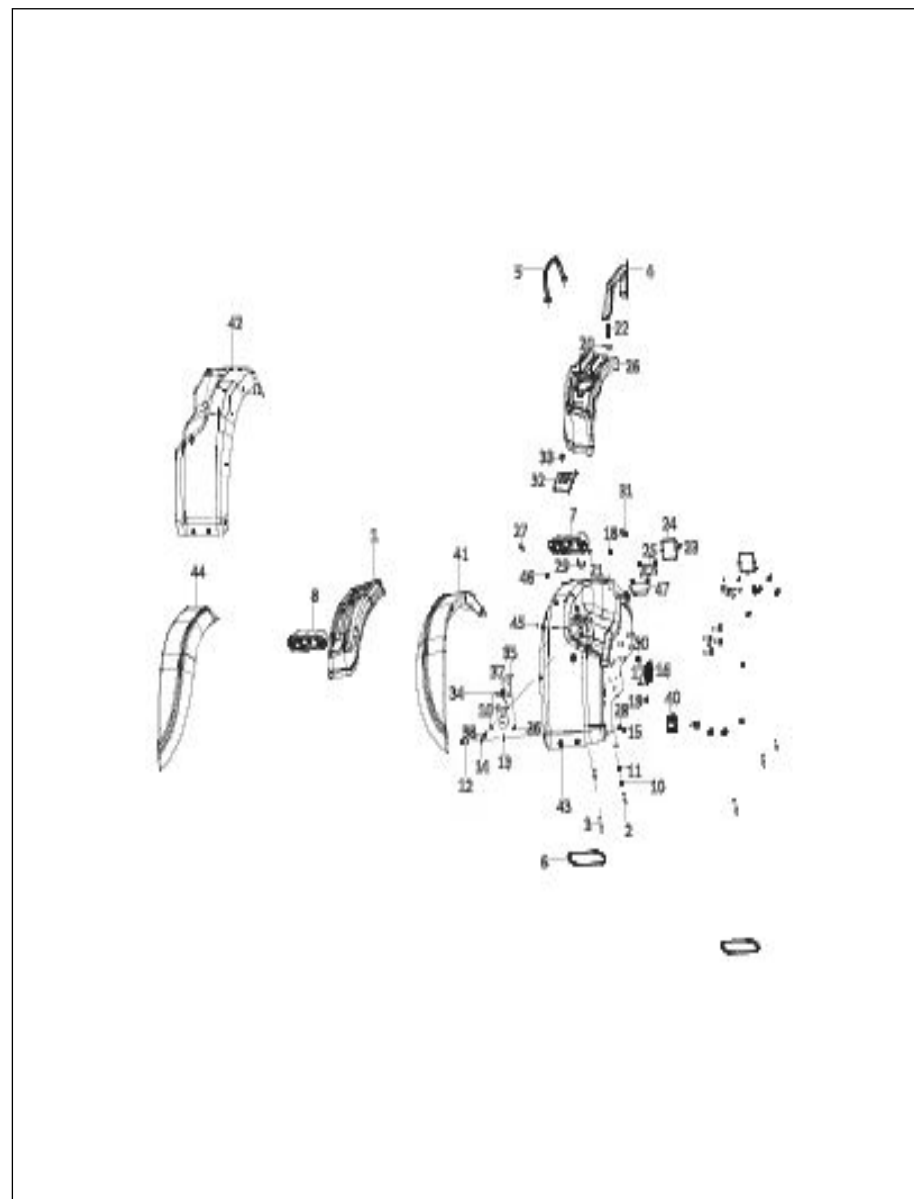


TABLE-118
FENDER SUBASSEMBLY (HST NON JOYSTICK)

Fig. No.	Part No.	Description	Qty
1	D10561010.9	CONSOLE LH RANGE LEVER	1
2	D84500170.9	STUD B M8X1.25X42-8.8	4
3	D84500160.9	STUD B M8X1.25X60-8.8	2
4	D10567570.9	HANDLE FENDER ASSEMBLY LH	1
5	D10567560.9	HANDLE FENDER ASSEMBLY RH	1
6	D10568780.9	BIDING RUBBER REAR LIGHT COVER	2
7	D10601210.9	LAMP ASSEMBLY FENDER REAR RH (LED)	1
8	D10601220.9	LAMP ASSEMBLY FENDER REAR LH (LED)	1
9	D85500130.9	WASHER M8 FLAT	14
10	D83500110.9	NUT M8X1.25-8 HEX	10
11	D86500030.9	WASHER M8 SPRING LOCK	10
12	D81500480.9	BOLT M10X1.50X30-6.6 HEX HEAD	18
13	D85500010.9	WASHER M10 FLAT	18
14	D86500090.9	WASHER M10 SPRING LOCK	10
15	D83500090.9	NUT M10X1.50-8 HEX	6
16	D10559170.9	PLATE MODEL AND CHASSIS IDENTIFICATION	1
16-1	D10559170AB.9	PLATE MODEL AND CHASSIS IDENTIFICATION	1
17	D10339690.9	RIVET 4X6.0MM (CLINCH TYPE)	4
18	D93100360.9	PLUG FENDER DIA 11.0	4
19	D93100350.9	PLUG M10X1.5 SQUARE HEAD (DELPHINIUM BLUE)	2
20	D10783800.9	PAD HYDRAULIC LIFT CONTROL LEVER UPPER STOPPER	1
21	D10000640.9	PIN 1/16"X0.50" COTTER	1
22	D10668670.9	KNOB HYDRAULIC LIFT CONTROL LEVER STOP	1
23	D82501160.9	SCREW M5X0.80X10 CROSS RECESSED PAN HEAD	4
24	D10554130.9	REFLECTOR REAR	2
25	D10663680.9	BRACKET REAR REFLECTOR LH	1
26	D10718590.9	CONSOLE JOYSTICK LOADER ACTUATION	1
27	D81500360.9	BOLT M6X1.00X16-9.8 HEX HEAD	14
28	D85500110.9	WASHER M6 FLAT	2
29	D10783770.9	PAD ASSEMBLY HYDRAULIC LIFT CONTROL LEVER LOWER STOPPER	1
30	D10433490.9	GROMMET TOOL BOX (DIA 9)	1
31	D93100550.9	PLUG DIA 27	3
32	D10871140.9	COVER CONSOLE JOYSTICK	1
33	D82501190.9	SCREW M6X1.0X16 TRUSS HEAD CROSS SLOTTED	2
34	D10778110.9	BRACKET JOYSTICK LOADER ACTUATION MOUNTING FRONT	1
35	D10871150.9	BRACKET ASSEMBLY MOUNTING COVER CONSOLE	1
36	D83500070.9	NUT M6X1.00-6 HEX	2
37	D83500060.9	NUT M8X1.25-6 HEX	2
38	D81503090.9	BOLT M8X1.25X16-8.8 HEX HEAD	4
39	D10892370.9	SWITCH ASSEMBLY PTO OVERDRIVE	1

TABLE-118
FENDER SUBASSEMBLY (HST NON JOYSTICK)

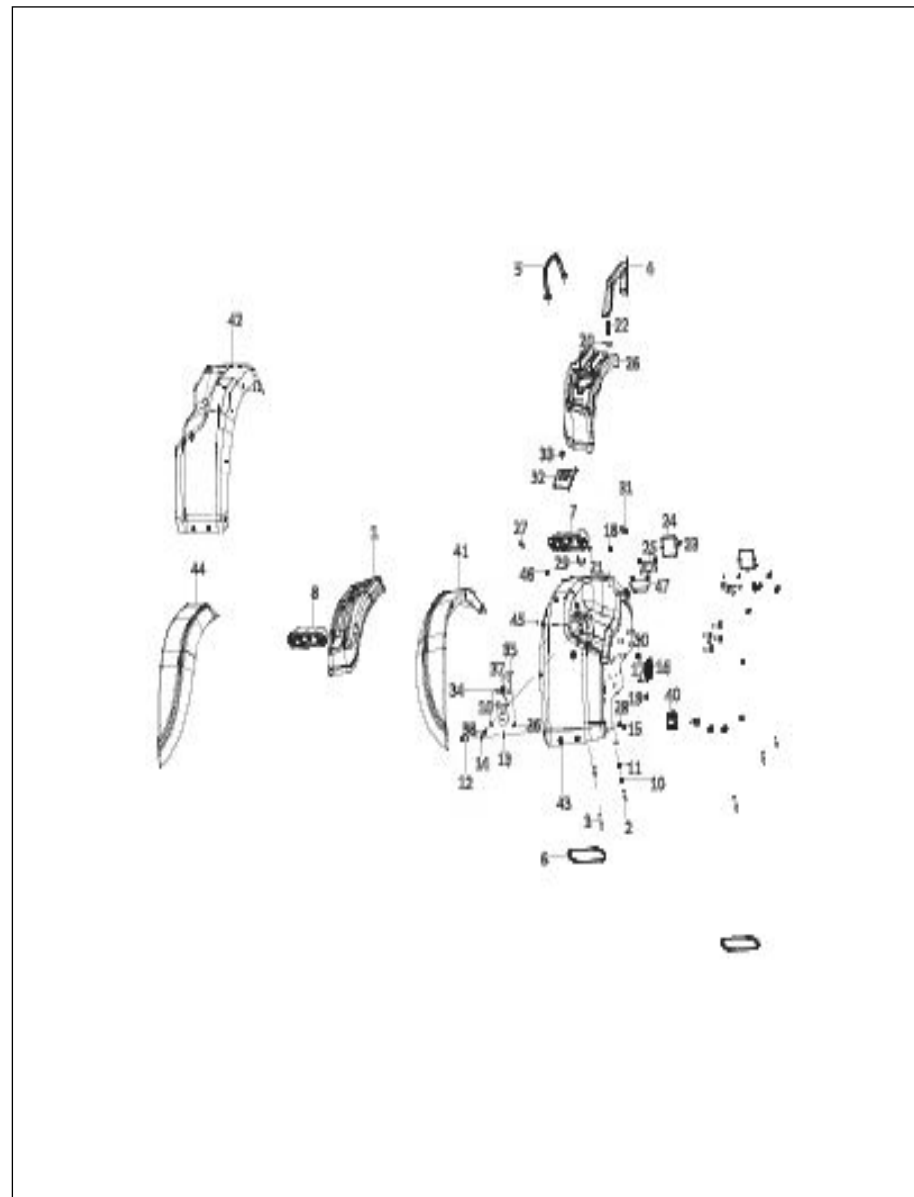


TABLE-118
FENDER SUBASSEMBLY (HST NON JOYSTICK)

Fig. No.	Part No.	Description	Qty
40	D10495450.9	SWITCH ASSEMBLY BEACON LAMP	1
41	D10696130.9	FLAP FENDER RH	1
42	D11963540AA.9	FENDER ASSEMBLY LH (PAINT TSA DELPHINIUM BLUE)	1
43	D12017030AA.9	FENDER ASSEMBLY RH (PAINT TSA DELPHINIUM BLUE)	1
44	D10696120.9	FLAP FENDER LH	1
45	D85500040.9	WASHER M6 FLAT	12
46	D83500350.9	NUT M6X1.00 NYLOCK HEX	12
47	D10663690.9	BRACKET REAR REFLECTOR RH	1

TABLE-119
BOARD RUNNING RH AND LH SUB ASSEMBLY

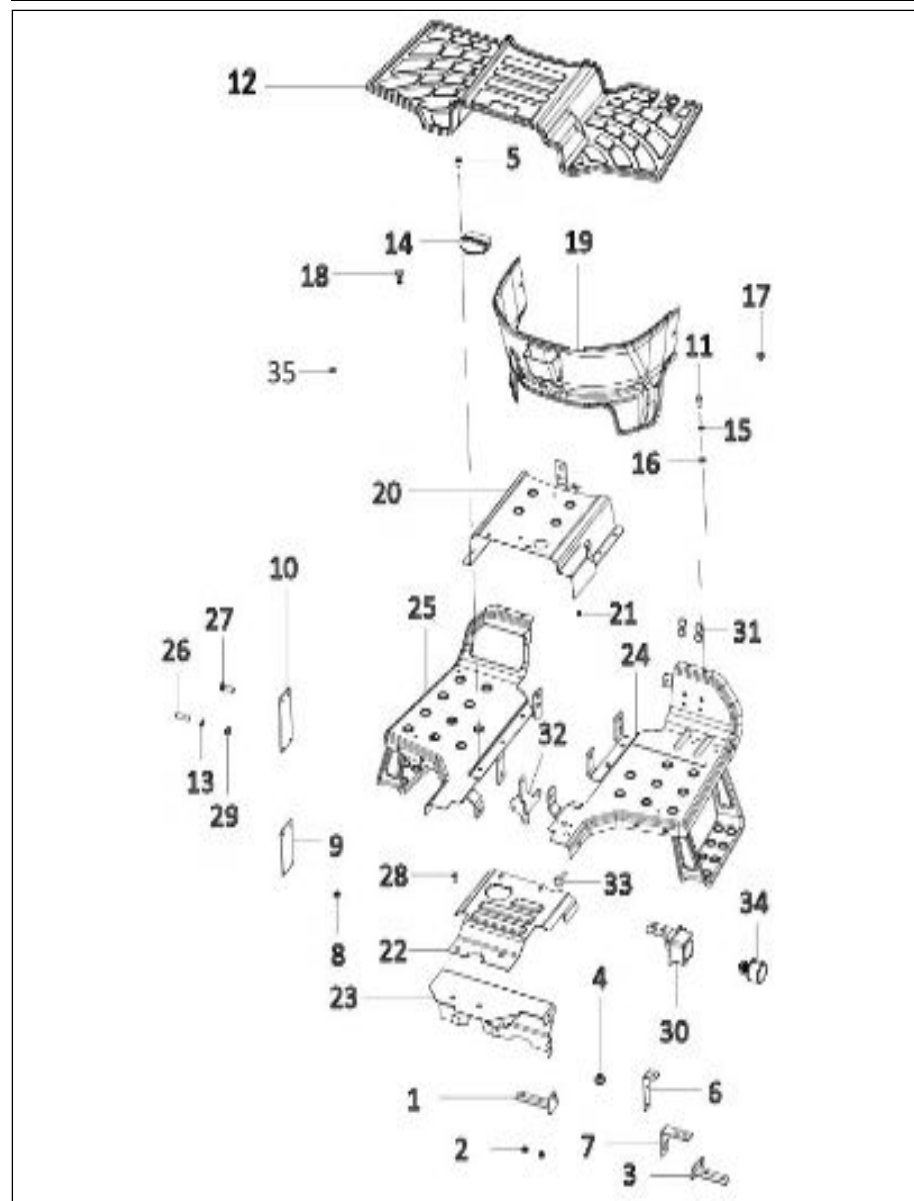


TABLE-119
BOARD RUNNING RH AND LH SUB ASSEMBLY

Fig. No.	Part No.	Description	Qty
1	D10566360.9	BRACKET ASSEMBLY RUNNING BOARD SUPPORT FRONT LH	1
2	D83500060.9	NUT M8X1.25-6 HEX	18
3	D10566330.9	BRACKET ASSEMBLY RUNNING BOARD SUPPORT FRONT RH	1
4	D10562340.9	GROMMET FUEL TANK	2
5	D10152630.9	SCREW M8X1.25X20 COUNTERSUNK SOCKET HEAD	7
6	D10775300.9	BRACKET ASSEMBLY JOYSTICK CABLE MOUNTING	1
7	D10748040.9	BRACKET ASSEMBLY SHAFT PEDAL CONTROL MOUNTING	1
8	D83500110.9	NUT M8X1.25-8 HEX	2
9	D10769040.9	PLATE MOUNTING BRAKE SWITCH RH	1
10	D10769030.9	PLATE MOUNTING BRAKE SWITCH LH	1
11	D81500110.9	BOLT M8X1.25X20-8.8 HEX HEAD	13
12	D10610610.9	MAT RUNNING BOARD FRONT	1
13	D86500090.9	WASHER M10 SPRING LOCK	8
14	D10614820.9	CAP DIPSTICK	1
15	D86500030.9	WASHER M8 SPRING LOCK	11
16	D85500050.9	WASHER M8 FLAT	13
17	D82501140.9	SCREW M8X1.25X16 TRUSS HEAD CROSS SLOTTED	5
18	D10570580.9	PIN PUSH RUNNING BOARD MAT	7
19	D10610620.9	COVER DASHBOARD LOWER	1
20	D10609650AC.9	BOARD RUNNING ASSEMBLY CENTER	1
21	D83500070.9	NUT M6X1.00-6 HEX	2
22	D11559930AA.9	CONSOLE GEAR AND DIFFERENTIAL HOUSING	1
23	D11561810AB.9	COVER ASSEMBLY DRIVER SEAT FLOOR	1
24	D10607590AE.9	BOARD RUNNING ASSEMBLY RH	1
25	D10607650.9	BOARD RUNNING ASSEMBLY LH	1
26	D84500340.9	STUD B M10X1.5X40-10.9	4
27	D81500060.9	BOLT M10X1.50X30-8.8 HEX HEAD	4
28	D82501150.9	SCREW M8X1.25X16 BUTTON HEAD SOCKET CAP	2
29	D83500130.9	NUT M10X1.50-10P HEX	4
30	D10769000.9	FRAME ASSEMBLY SOLENOID MOUNTING	1
31	D10433490.9	GROMMET TOOL BOX (DIA 9)	4
32	D10873120.9	BRACKET ASSEMBLY TENSION SPRING MOUNTING	1
33	D10493580.9	PAD BRAKE AND CLUTCH PEDAL STOP	2
34	D10768860AB.9	CRUISE CONTROL SOLENOID	1
35	D85500140.9	WASHER M10 FLAT	8

TABLE-120
ROPS FOLDABLE SUBASSEMBLY COMPACT

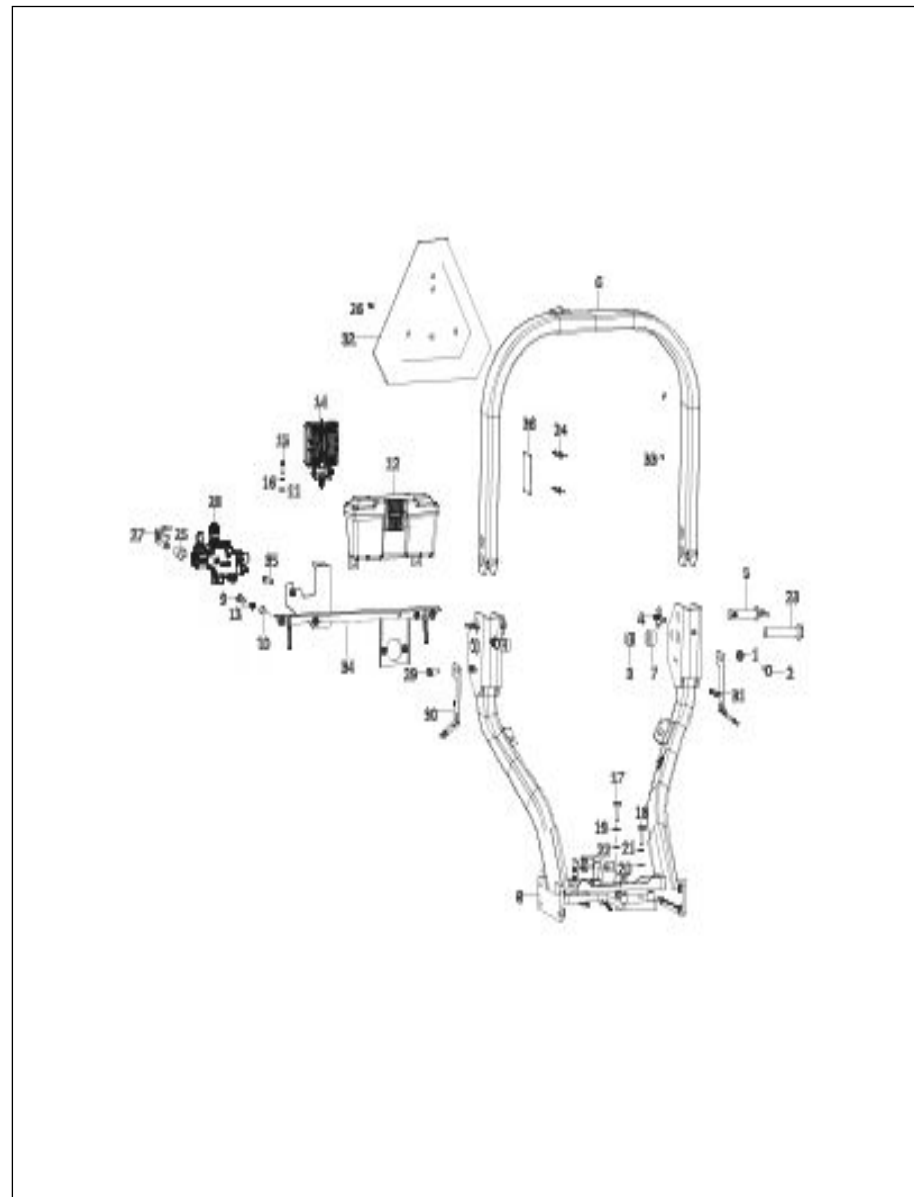


TABLE-120
ROPS FOLDABLE SUBASSEMBLY COMPACT

Fig. No.	Part No.	Description	Qty
1	D83500290.9	NUT M12X1.75 HEX	2
2	D81500170.9	BOLT M12X1.75X55-10.9 HEX HEAD	2
3	D83500670.9	NUT M20X2.50 HEX NYLOCK	2
4	D10014880.9	PIN AND RING ASSEMBLY LOWER LIFT LINK LYNCH	2
5	D10549890.9	PIN ROPS LOCKING	2
6	D10563560AF.9	FRAME ASSEMBLY ROPS FOLDABLE COMPACT	1
7	D10549880.9	BUSH COLLAR ROPS FRAME	2
8	D11449580AA.9	BASE ASSEMBLY ROPS FOLDABLE	1
9	D81500060.9	BOLT M10X1.50X30-8.8 HEX HEAD	2
10	D85500140.9	WASHER M10 FLAT	2
11	D85500050.9	WASHER M8 FLAT	5
12	D10568790AC.9	BOX ASSEMBLY TOOL COMPACT (PLASTIC)	1
13	D86500050.9	WASHER M10 SPRING LOCK	2
14	D11627840AA.9	LAMP ASSEMBLY PLOUGH	1
15	D81500110.9	BOLT M8X1.25X20-8.8 HEX HEAD	5
16	D86500030.9	WASHER M8 SPRING LOCK	5
17	D81500740.9	BOLT M14X2.00X35-10.9 HEX HEAD LOCK	4
18	D81503400.9	BOLT M12X35-10.9 HEX HEAD	2
19	D86500070.9	WASHER M14 SPRING LOCK	4
20	D85500060.9	WASHER M12 FLAT	2
21	D86500020.9	WASHER M12 SPRING LOCK	2
22	D85500510.9	WASHER M14X1.5 FLAT	4
23	D81503130.9	BOLT M20X2.5X115-8.8 HEX HEAD	2
24	D10339690.9	RIVET 4X6.0MM (CLINCH TYPE)	4
25	D10215860.9	KNOB HAND THROTTLE CONTROL LEVER	1
26	D82501120.9	SCREW M5X0.80X16-6.6 HEX HEAD	2
27	D10897650AB.9	LEVER SPOOL VALVE	1
28	D10898150.9	VALVE ASSEMBLY HYDRAULIC CONTROL SINGLE SPOOL (DOUBLE ACTING DETENT TYPE)	1
29	D81502240.9	BOLT M8X1.25X30-10.9 HEX HEAD FLANGED	4
30	D10602010.9	BRACKET REAR LIGHT MOUNTING ROPS RH	1
30-1	D10602010AC.9	BRACKET REAR LIGHT MOUNTING ROPS RH	1
31	D10578420.9	BRACKET REAR LIGHT MOUNTING ROPS LH	1
31-1	D10578420AC.9	BRACKET REAR LIGHT MOUNTING ROPS LH	1
32	D10511460.9	EMBLEM SLOW MOVING VEHICLE	1
33	D85500090.9	WASHER M5 FLAT	2
34	D11608510AB.9	BRACKET ASSEMBLY SUPPORT FENDER (WITH ROPS)	1
35	D81500130.9	BOLT M8X1.25X60-8.8 HEX HEAD	2
36	D10788900.9	DECAL ROPS E MARKED	1
36-1	D10788900AC.9	DECAL ROPS E-MARKED	1

TABLE-121
SEAT DRIVER SUBASSEMBLY (EXPORT)

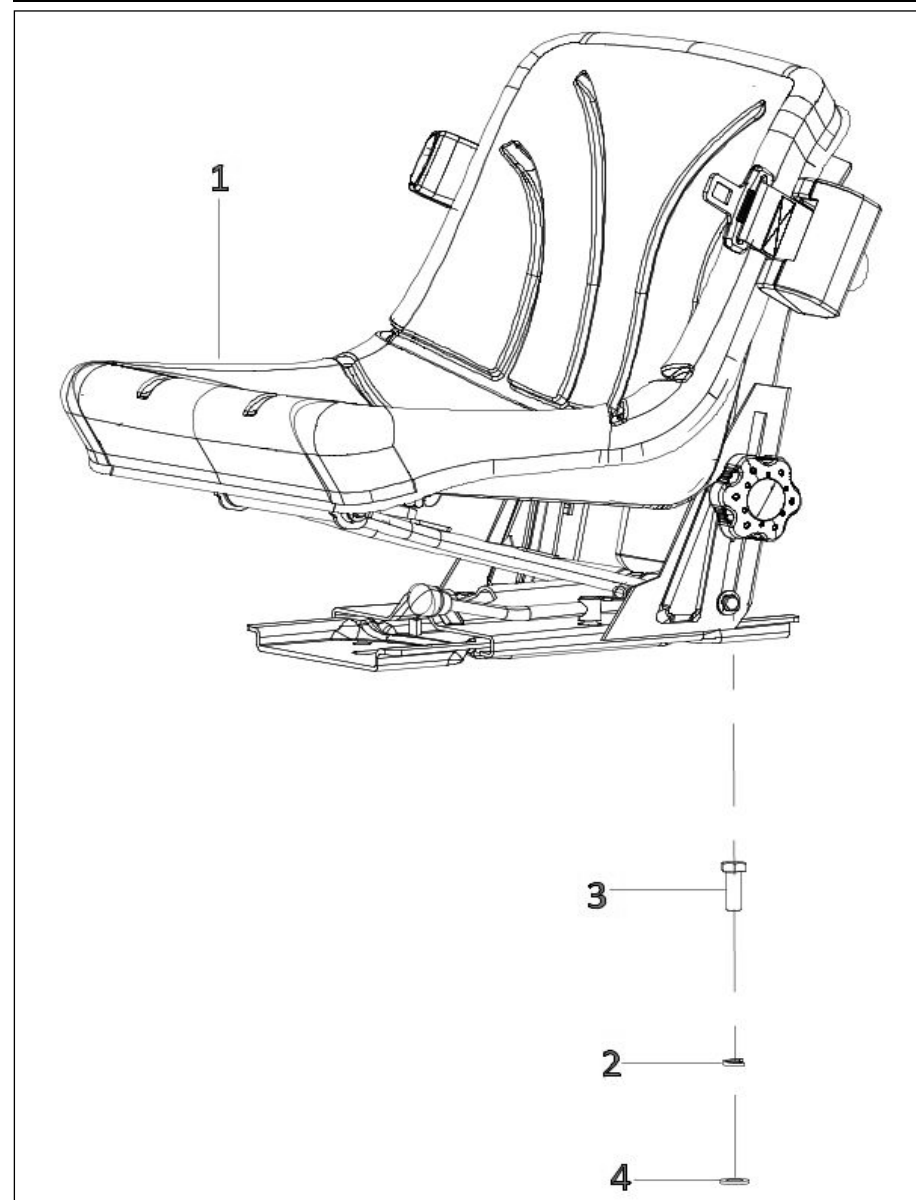


TABLE-121
SEAT DRIVER SUBASSEMBLY (EXPORT)

Fig. No.	Part No.	Description	Qty
1	D10563080AC.9	SEAT ASSEMBLY DRIVER	1
2	D86500050.9	WASHER M10 SPRING LOCK	4
3	D81500060.9	BOLT M10X1.50X30-8.8 HEX HEAD	4
4	D85500140.9	WASHER M10 FLAT	4

260

TABLE-122
ACCESSORIES SUBASSEMBLY KUBOTA

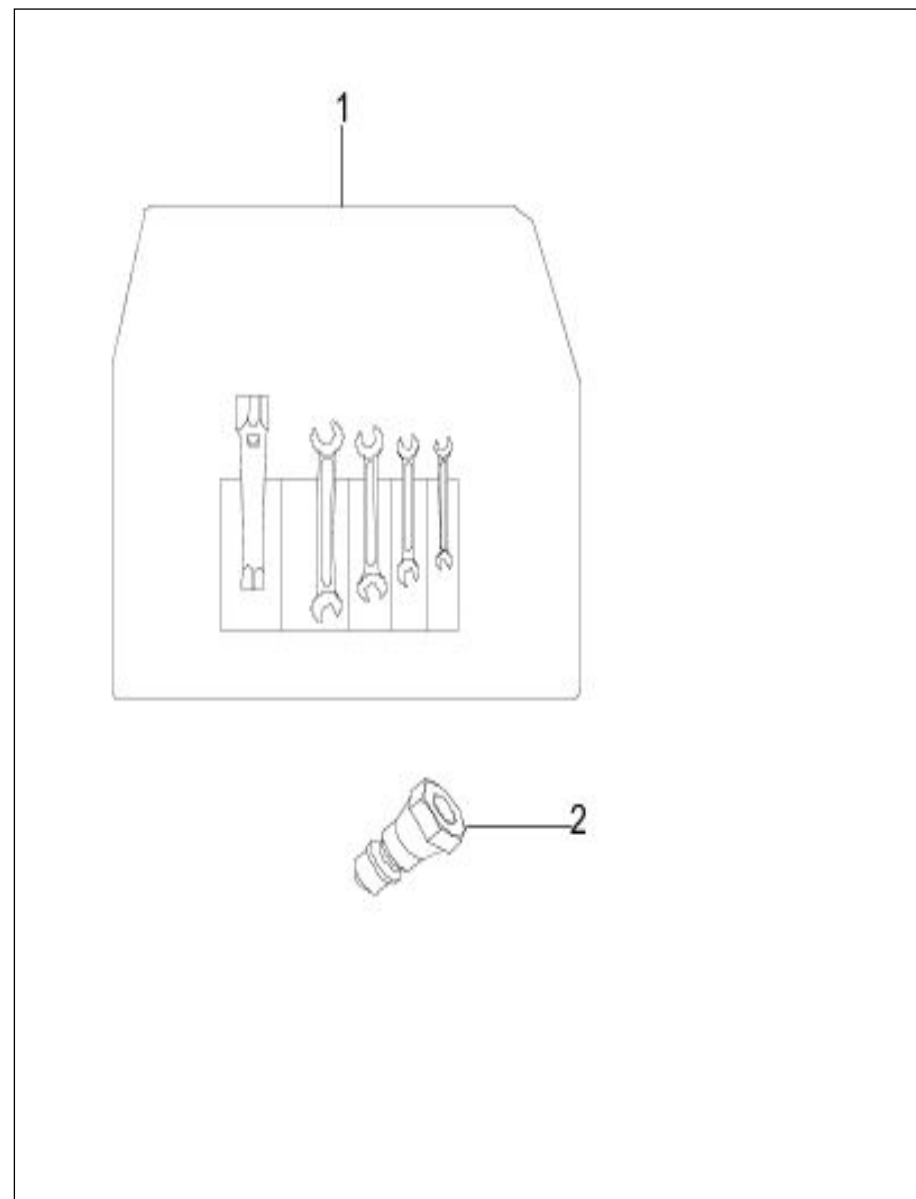


TABLE-122
ACCESSORIES SUBASSEMBLY KUBOTA

Fig. No.	Part No.	Description	Qty
1	D10698100AE.9	TOOL KIT	1
2	D10173630.9	ADAPTOR VALVE HYDRAULIC REMOTE	2

TABLE-123
DECAL AND BADGES MODEL IDENTIFICATION ASSEMBLY HST

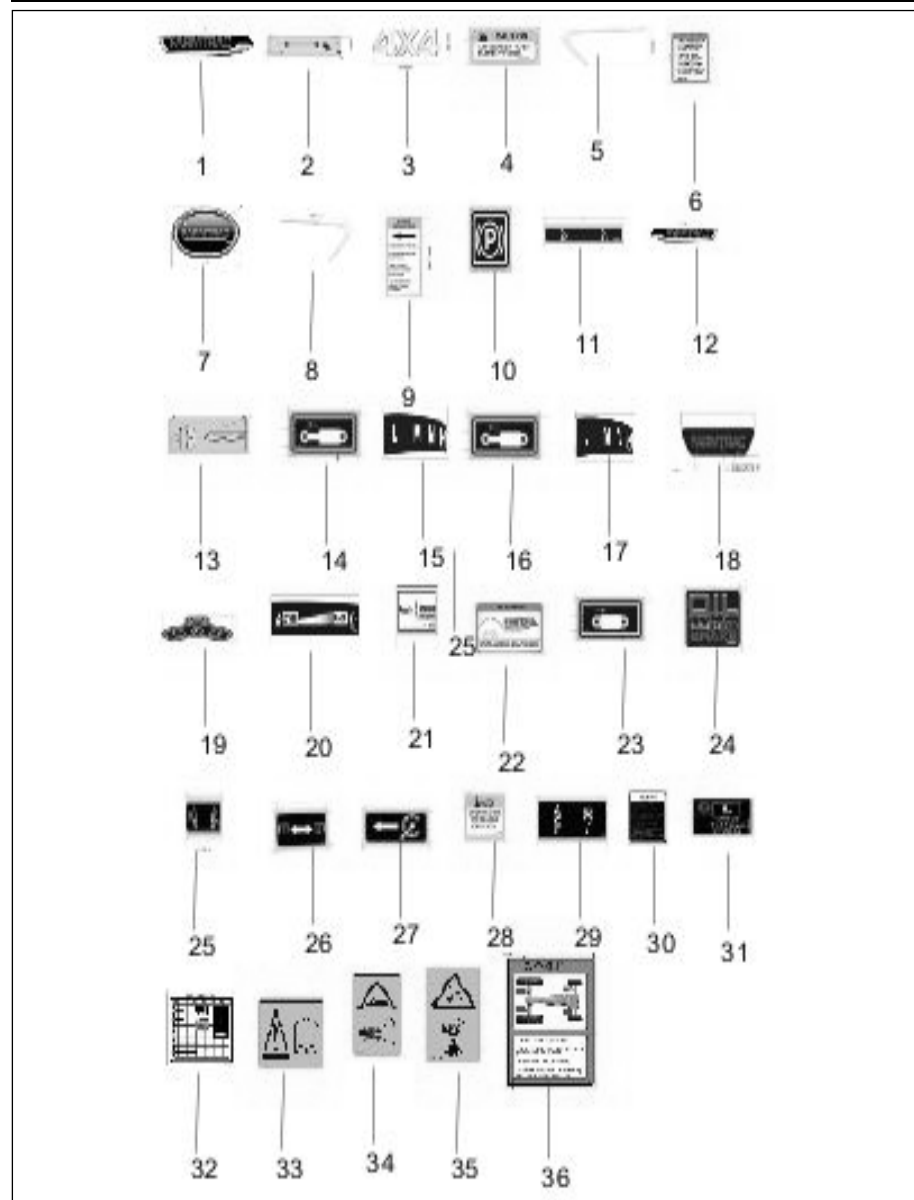


TABLE-123
DECAL AND BADGES MODEL IDENTIFICATION ASSEMBLY HST

Fig. No.	Part No.	Description	Qty
1	D10570810.9	BADGE FRONT FARMTRAC LH	1
2	D10589690.9	DECAL GREASE GUN	1
3	D10695920.9	BADGE 4X4	1
4	D10647820.9	DECAL CAUTION AIR CLEANER	1
5	D10692820.9	BADGE HP CHROME ELEMENT RH	1
6	D10647890.9	DECAL RADIATOR CAP WARNING	1
7	D10589170AC.9	BADGE FRONT HOOD FARMTRAC	1
8	D10692810.9	BADGE HP CHROME ELEMENT LH	1
9	D10695890.9	DECAL HYDRAULIC OIL STRAINER SERVICE	1
10	D10570050.9	DECAL PARKING BRAKE	1
11	D10570780.9	DECAL 4WD ENGAGE DISENGAGE	1
12	D10570820.9	BADGE FRONT FARMTRAC RH	1
13	D10529560.9	DECAL ISOLATOR ASSEMBLY BATTERY	1
14	D10588450.9	DECAL QRC CYLINDER OPEN	1
15	D10570800.9	DECAL RANGE	1
16	D10570830.9	DECAL HAND ACCELERATOR	1
17	D10570020.9	DECAL DIFFERENTIAL LOCK	1
18	D10570910AC.9	DECAL FARMTRAC LOGO STEERING WHEEL	1
19	D10570070.9	DECAL STARTING SWITCH BLUE	1
20	D10570340.9	DECAL POSITION LEVER	1
21	D10571300.9	DECAL POWERED WITH MITSUBISHI ENGINE (RED)	1
22	D10647910.9	DECAL SEAT BELT WARNING	1
23	D10588440.9	DECAL QRC CYLINDER CLOSED	1
24	D10570030.9	DECAL OIL IMMersed BRAKE (RED)	1
25	D10616560.9	DECAL REAR PTO	1
26	D10616540.9	DECAL CLUTCH PTO	1
27	D10616530.9	DECAL CRUISE LOCK	1
28	D10647790.9	DECAL CAUTION ALTERNATOR	1
29	D10616550.9	DECAL MID PTO	1
30	D10616510.9	DECAL RANGE GEAR SHIFT LEVER INSTRUCTION	1
31	D11309590AA.9	DECAL SWINGING DRAW BAR	1
31-1	D11309590AB.9	DECAL SWINGING DRAW BAR	1
32	D10890500.9	DECAL TRACTOR SPEEDS HST	1
33	D10898010.9	DECAL SAFETY ALERT	1
34	D10897990.9	DECAL PTO WARNING	1
35	D10897950.9	DECAL ROPS AND SEAT BELT	1
36	D10625390.9	DECAL TRACTOR JACKING POINT	1
36-1	D10625390AB.9	DECAL TRACTOR JACKING POINT	1

TABLE-124
HARDWARE BUCKLE UP HOUSING INTERMEDIATE AND FRONT SUBASSEMBLY

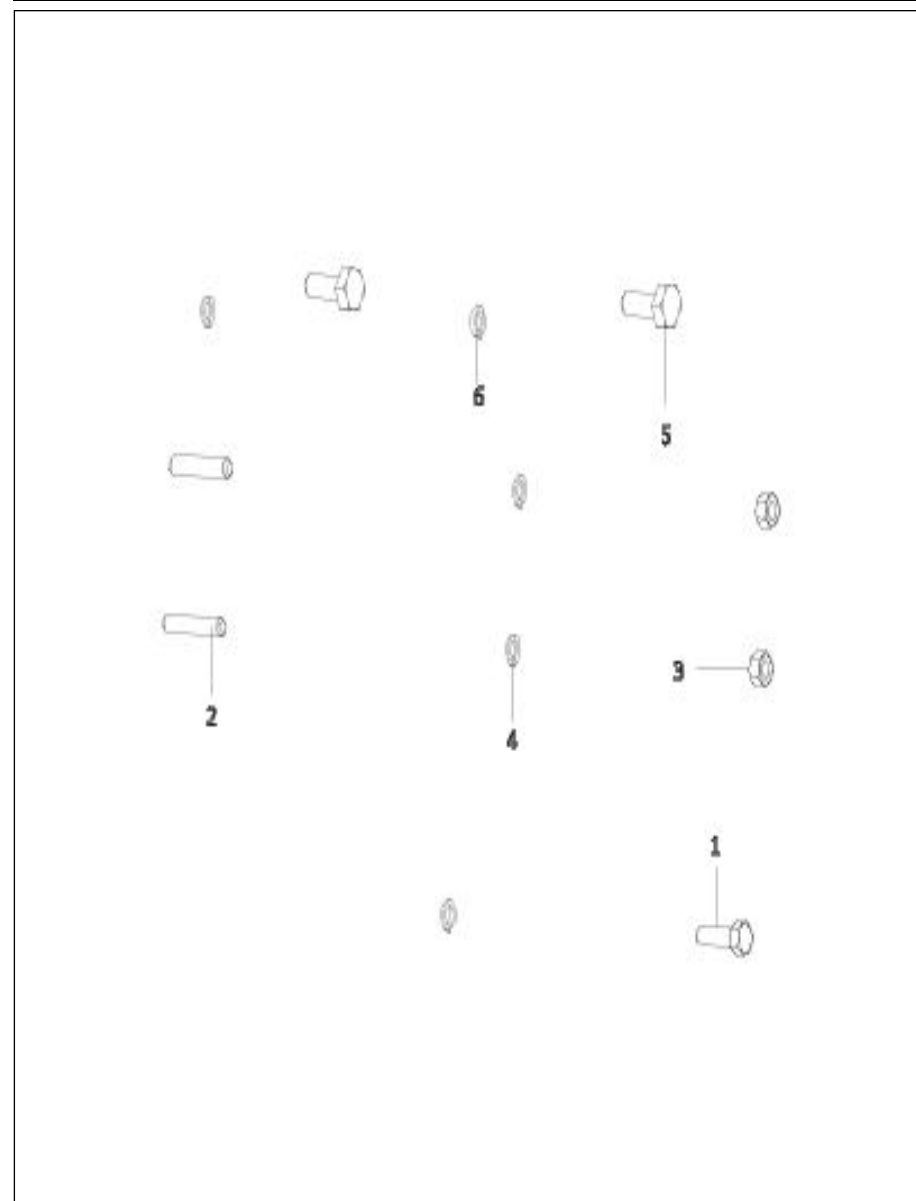


TABLE-124
HARDWARE BUCKLE UP HOUSING INTERMEDIATE AND FRONT SUBASSEMBLY

Fig. No.	Part No.	Description	Qty
1	D81503880	BOLT M10X1.50X30-10.9 HEX HEAD (16 A/F)	6
2	D84500350	STUD M10X1.5X48-10.9	2
3	D83500090	NUT M10X1.50-8 HEX	2
4	D86500090	WASHER M10 SPRING LOCK	8
5	D81501910	BOLT M12X1.75X30-10.9 HEX HEAD	2
6	D86500020	WASHER M12 SPRING LOCK	2