

2610H US_FL(AC02170) TRACTOR

Parts Catalogue



CONTENTS

GROUP NO	GROUP NAME	PAGE
G. ENGINE		
A01_002	CYLINDER BLOCK	6
A02_001	DRIVE PULLY	8
A03_001	CRANK SHAFT PULLEY	10
A04_002	GLOW PLUG ASS'Y OPTION	12
A05_001	CRANK SHAFT ASS'Y OPTION	14
A06_001	BREATHER OPTION	16
A07_001	CAMSHAFT	18
A08_001	ALTERNATOR	20
A09_001	COOLING WATER PUMP	22
A11_002	INJECTOR	24
A12_002	FUEL INJECTON	26
A13_001	PLUMBING, FUEL	28
A15_001	FUEL CAM SHAFT	30
A17_002	INTAKE MANIFOLD ASS'Y OPTION	32
A18_001	FLYWHEEL	34
A19_001	FLYWHEEL HOUSING	36
A20_002	HEAD, CYLINDER	38
A21_001	HEAD COVER	40
A23_001	TURBOCHARGER SUPPORT ASS'Y OPTION	42
A27_002	OIL PAN ASS'Y OPTION	44
A29_001	FILTER, LUBRICATING OIL	46
A31_002	PISTON	48
A32_001	LEVER, LOCKER	50
A33_003	EXHAUST MANIFOLD	52
A34_002	SILENCER	54
A35_001	IDLE GEAR	56
A36_001	COVER, FRONT GEAR	58
A38_003	GAUGE, OIL LEVEL	60
A39_001	OIL FILLER CAP	62
A40_001	LIFT ASS'Y OPTION	64
A42_002	MOTER, STARTIONS	66
A46_001	FORK LEVER ASS'Y OPTION	68
A47_001	WATER PUMP FLANGE&THERMOSTAT	70
A48_002	V-BELT	72

CONTENTS

GROUP NO	GROUP NAME	PAGE
G. ENGINE		
A53_001	GOVERNOR ASSY	74
A54_001	STOP SOLENOID	76
A55_001	SPEED CONTROL PLATE	78
B. ENGINE ACCESSORIES		
B01010	FUEL TANK	80
B01032	FUEL LINE	82
B02020	RADIATOR	84
B02040	WATER PIPE	86
B02050	AUXILIARY COOLANT TANK	88
B03010	AIR CLEANER	90
B03031	MUFFLER	92
B05010H	ACCELERATION SYSTEM	94
C. CLUTCH, BREAK, LEVER		
C01010	CLUTCH DISC	96
C01030	CLUTCH PADAL	98
C01040	CLUTCH ROD	100
C02010	BRAKE PEDAL	102
C02030	BRAKE ROD	104
C02064	SIDE BRAKE	106
C03010	HST PEDAL	108
C03040	NEUTRE HOLDER LINK	110
C04000H	LEVER&PEDAL ASS'Y	112
C04042H-B	DIFF. LOCK LEVER	114
C04050H	CRUISE LEVER	116
D. HYDRAULIC		
D01010	HYDRAULIC PUMP	118
D01011	HYDRAULIC OIL LINE	120
D01012	HYDRAULIC OIL LINE/DELIVERY	122
D01013H	HYDRAULIC OIL LINE	124
D02010	STEERING WHEEL	126
D02011	STEERING MOUNTING	128
D02020	STEERING VALVE	130
D02030	PST HOSE	132
D02041	PST COVER	134

CONTENTS

GROUP NO	GROUP NAME	PAGE
D. HYDRAULIC		
D03010H	OIL COOLER	136
D03020H	HYDRAULIC OIL LINE, HST	138
D03060	REAR SCV	140
E. FRONT AXLE		
E01010	FRONT AXLE CASE	142
E01030	GEAR CASE, FRONT AXLE	144
E01030-1	GEAR CASE, FRONT AXLE	146
E01040	FRONT DIFFERENTIAL	148
E01050	BEVEL GEAR	150
E01060	BEVEL GEAR CASE	152
E01070H	FRONT DRIVE SHAFT	154
E01080	TIE ROD	156
F. TRANSMISSION		
F01010	(CLUTCH HOUSING)	158
F01020H-B	(TRANSMISSION CASE)	160
F01040	REAR AXLE CASE	162
F01050	(HYD SHIFT TRANSMISSION HOUSING)	164
F01051	(NEUTRE HOLDER LINK)	166
F01070	(DIFFERENTIAL GEAR CASE)	168
F02020	(CLUTCH SHAFT)	170
F02090	(CENTER FRAME)	172
F02110H	(PROPELLER SHAFT)	174
F02120H	(FRONT SHAFT)	176
F02130H	(HYDRAULIC OIL LINE, CLUTCH)	178
F03010H	(MAIN SHIFT DRIVE SHAFT)	180
F03040H	(RANGE SHIFT DRIVE SHAFT)	182
F04010H	(FRONT WHEEL DRIVE SHAFT)	184
F05020	(REAR DIFFERENTIAL)	186
F06010	(REAR AXLE)	188
F07030H	(PTO DRIVE SHAFT)	191
F07070H-B	(PTO SHAFT)	193
F07080	MID PTO	195
F08022	(RANGE SHIFT FORK)	197
F08050	(DIFFERENTIAL LOCK SHIFT FORK)	199

CONTENTS

GROUP NO	GROUP NAME	PAGE
F. TRANSMISSION		
F08060H	(PTO FORK)	201
F10010-B	(HYD. CYLINDER CASE)	203
F10020	(LIFT ARM)	205
F10064-B	(POSITION CONTROL LEVER)	207
F10070-B	(SHAFT, CONTROL LEVER)	209
F10080-B	(HYD VALVE)	211
F10120	(REAR SCV)	213
F10160H	HYDRAULIC OIL LINE, HST	215
F11020-B	(RANGE SHIFT LEVER)	217
F11030	(PTO GEAR SHIFT LEVER)	219
F11080	(4WD LEVER)	221
G. SHEET METAL, CABIN		
G01020	BONNET	223
G01060	FIXED BRACKET, BONNE	225
G01080	BRACKET, FRONT AXLE	227
G04020	DASHBOARD	229
G04060	SUB STEP	231
G04070	DRIVER'S SEAT	233
G04071	FLOOR SEAT	235
G04083H	LEVER GUIDE	237
G04090	FENDER	239
G04093	FENDER STAY	241
G04120-B	ROPS	243
G05020	TOP LINK	245
G05030	LOWER LINK	247
G05050	LIFT LINK	249
G05054-B	CHECK CHAIN	251
G05070	DRAW BAR	253
G05090	PTO COVER	255
H. ELECTRICALS, HARNESS		
H01030	BATTERY	257
H02010	HEADLIGHT	259
H02022	COMBINATION LAMP/RR	261
H02050	TURN INDICATOR	263

CONTENTS

GROUP NO	GROUP NAME	PAGE
H. ELECTRICALS, HARNESS		
H03040	MAIN HARNESS	265
H04051	SWITCH/DASHBOARD	267
H04054	SWITCH/BRAKE	269
H04060H	ELETRIC APPARATUS	271
I. WEIGHT, TOOLS, TIRE		
I01010	WEIGHT	273
I02010	TOOL BOX	275
I03020	LABEL	277
I03051	SMV EMBLEM	279

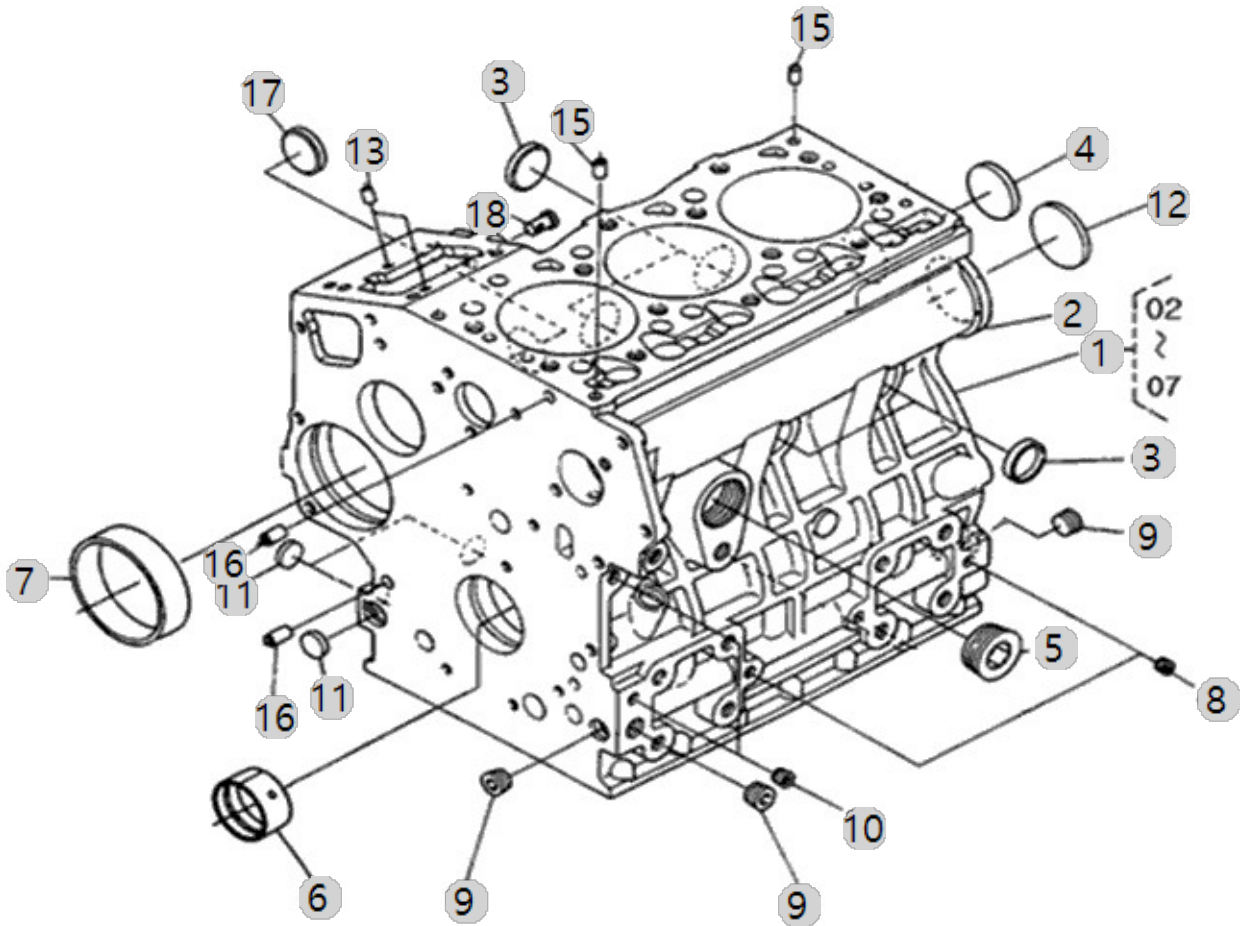
A01_002

A1100N2-UTR_4
(AB00368)

CYLINDER BLOCK

Year/Month

2022-12-14



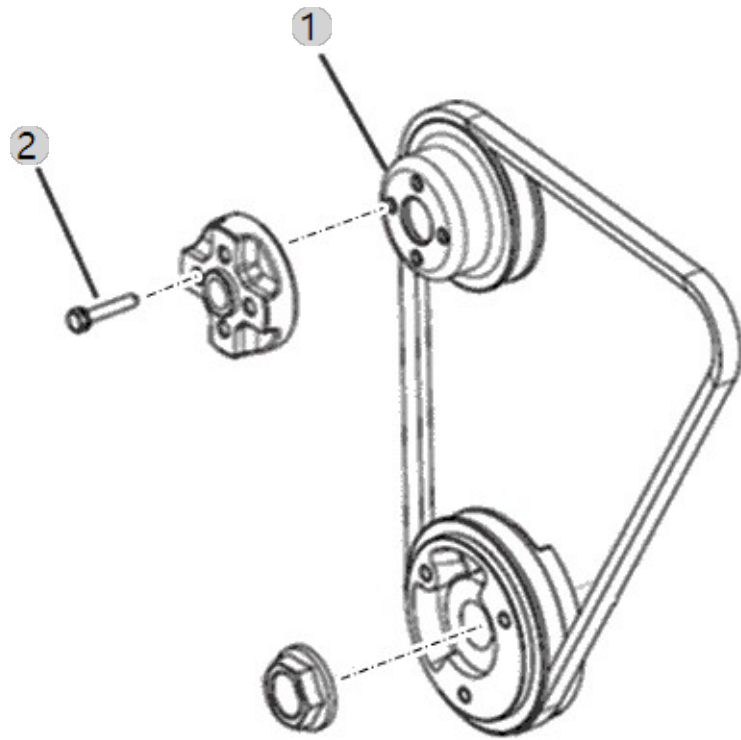
A02_001

A1100N2-UTR_4
(AB00368)

DRIVE PULLY

Year/Month

2022-12-14



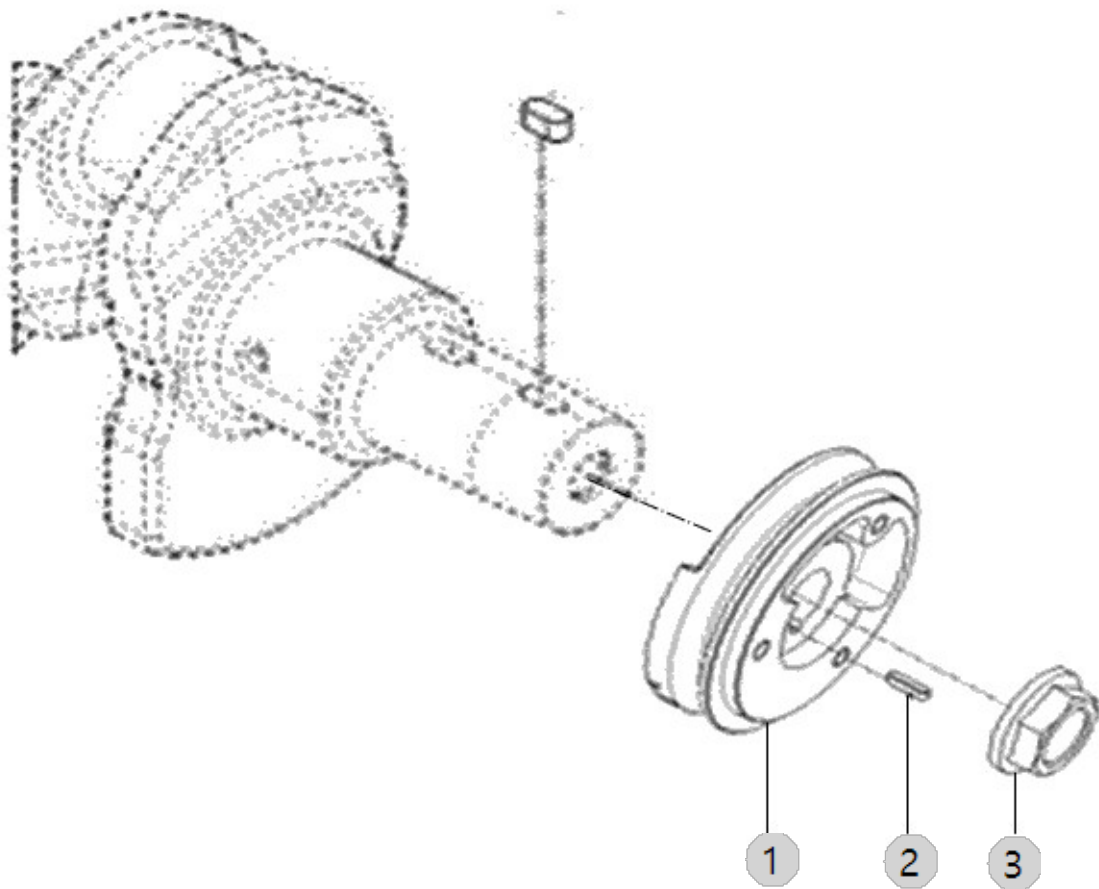
A03_001

A1100N2-UTR_4
(AB00368)

CRANK SHAFT PULLEY

Year/Month

2022-12-14



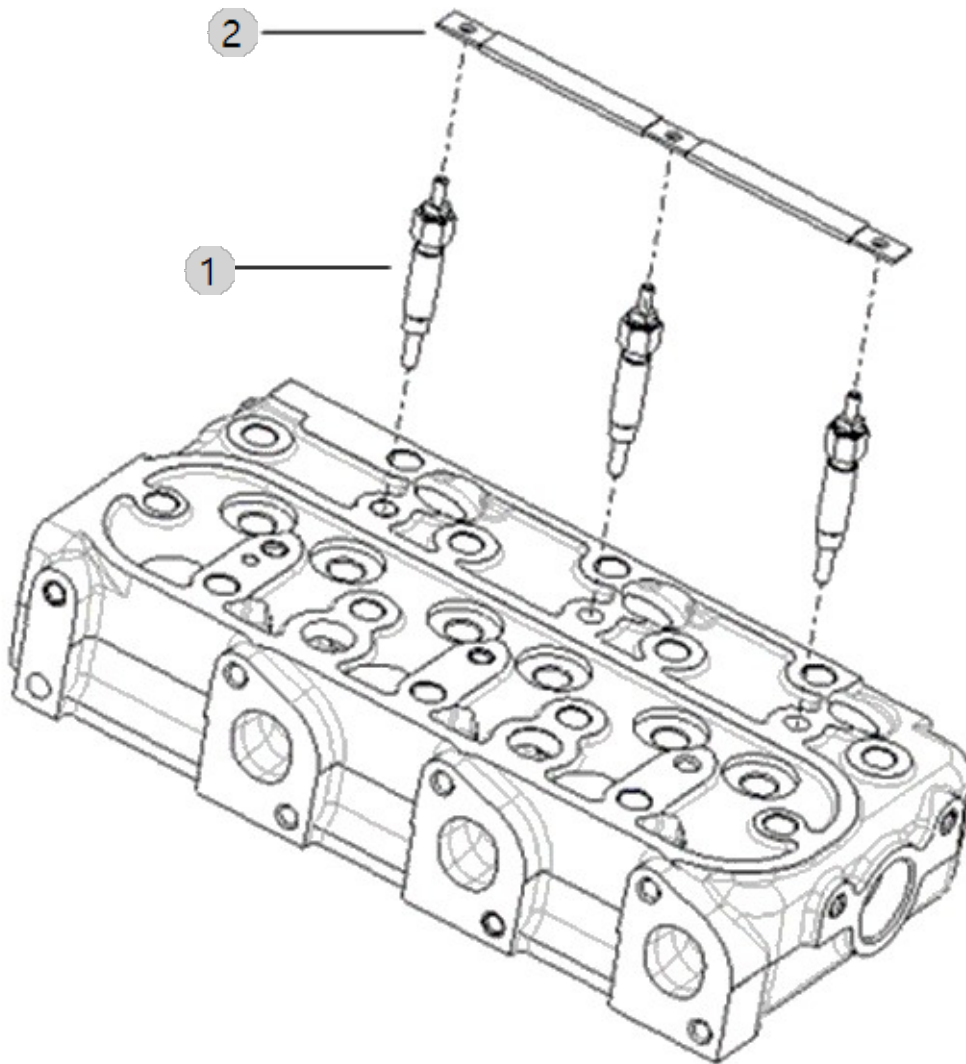
A04_002

A1100N2-UTR_4
(AB00368)

GLOW PLUG ASS'Y OPTION

Year/Month

2022-12-14



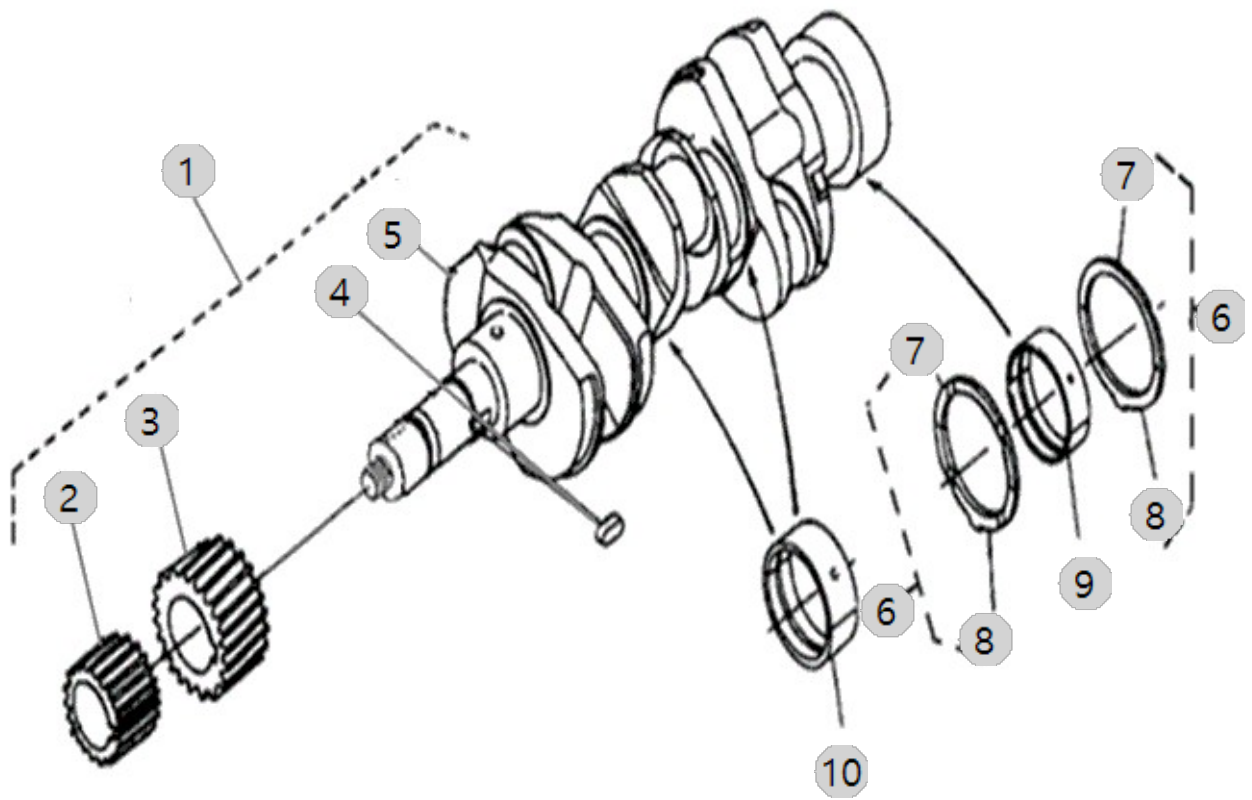
A05_001

A1100N2-UTR_4
(AB00368)

CRANK SHAFT ASS'Y OPTION

Year/Month

2022-12-14



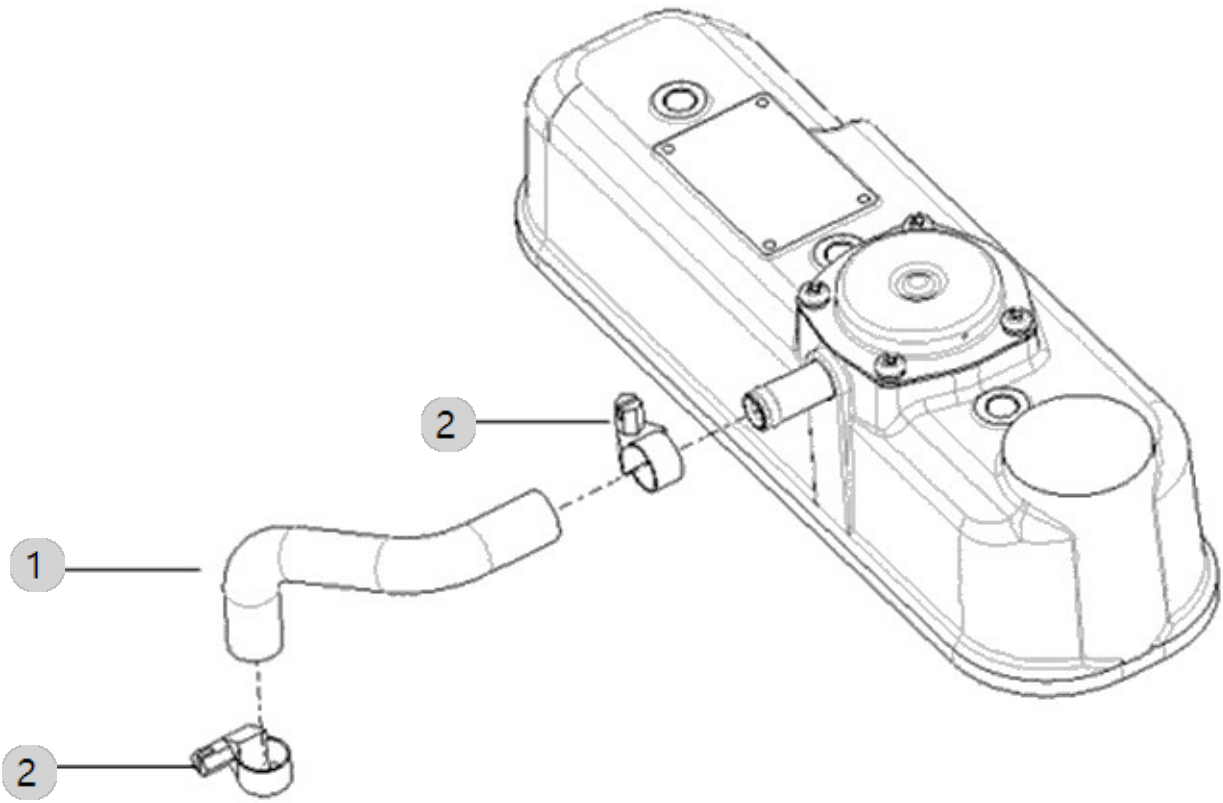
A06_001

A1100N2-UTR_4
(AB00368)

BREATHER OPTION

Year/Month

2022-12-14



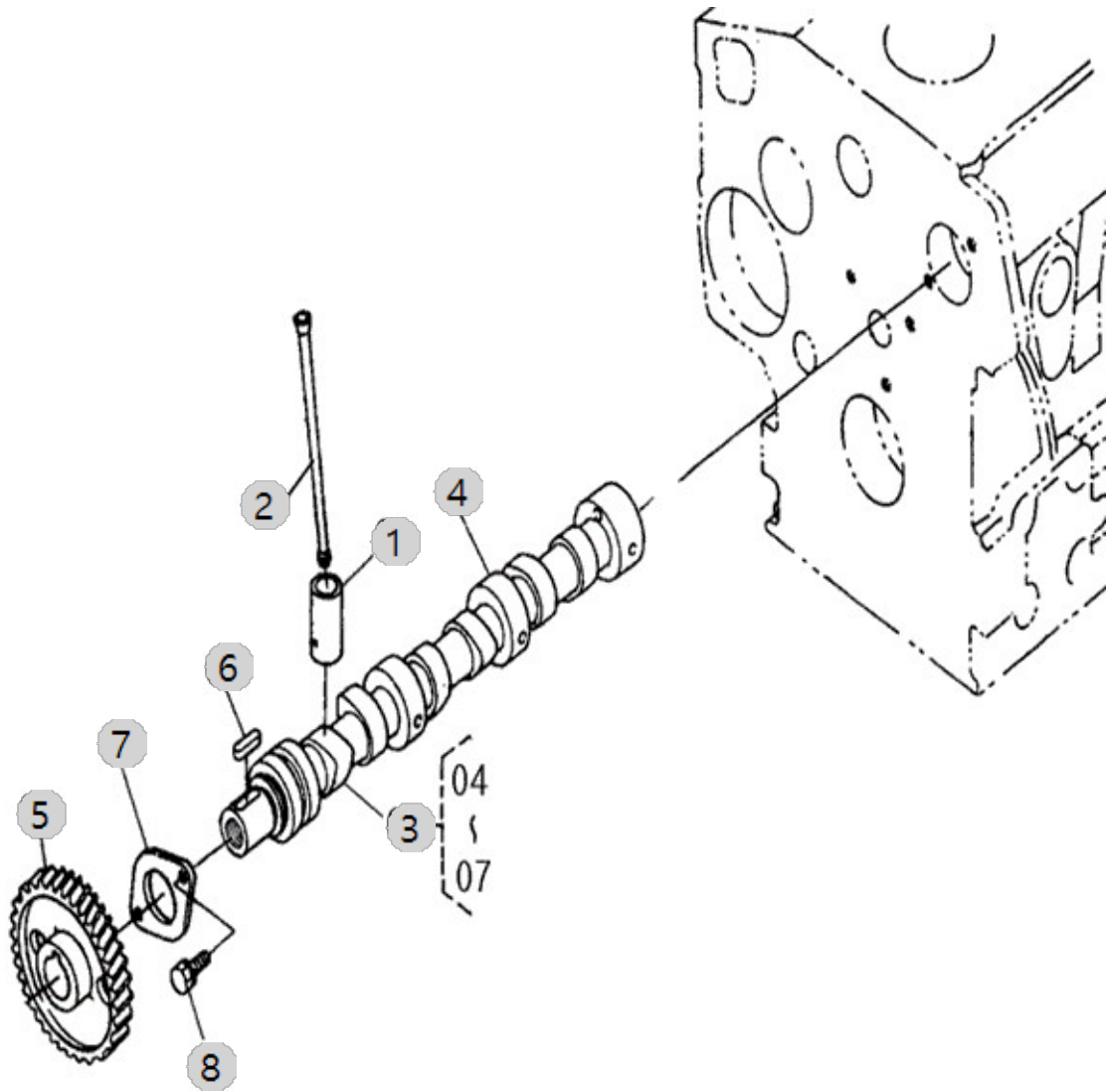
A07_001

A1100N2-UTR_4
(AB00368)

CAMSHAFT

Year/Month

2022-12-14



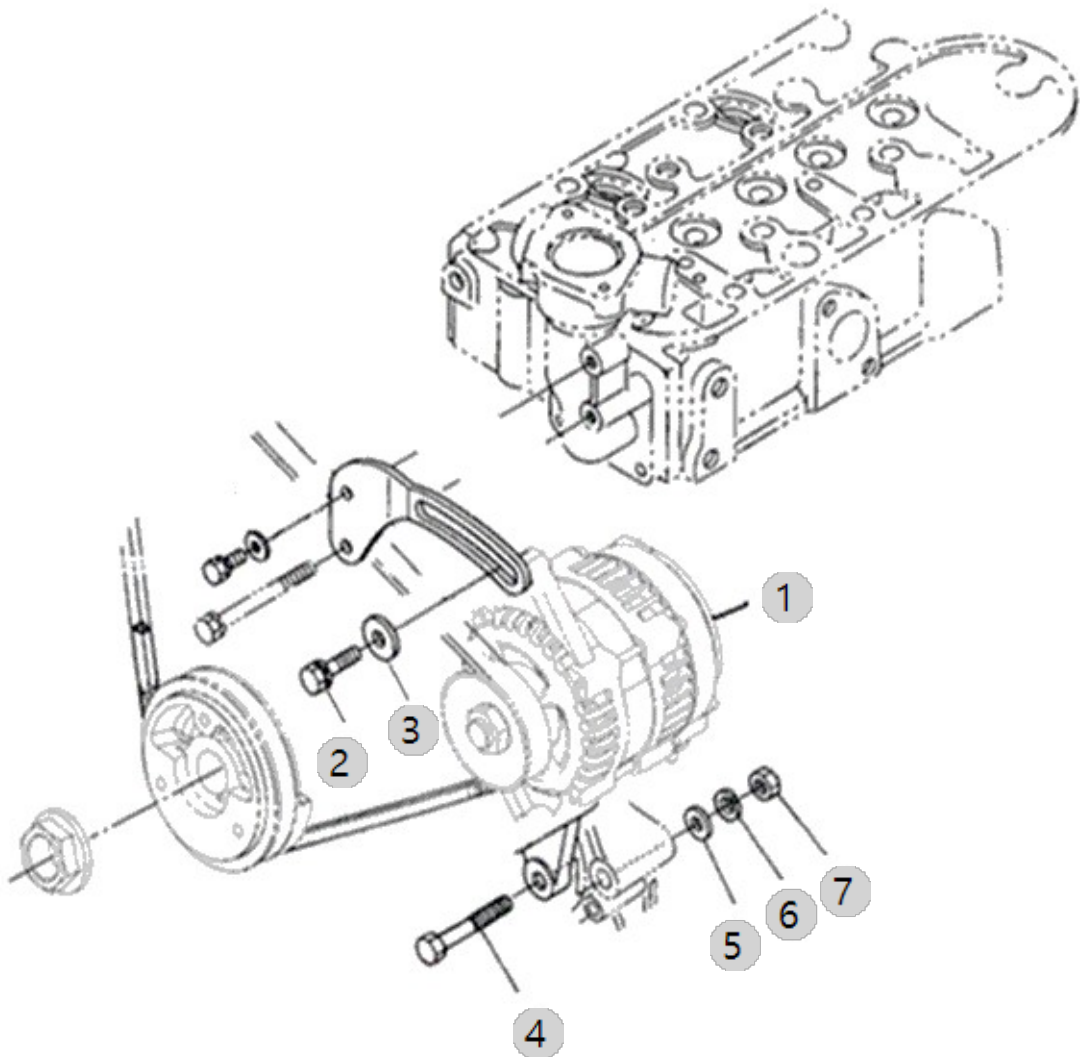
A08_001

A1100N2-UTR_4
(AB00368)

ALTERNATOR

Year/Month

2022-12-14



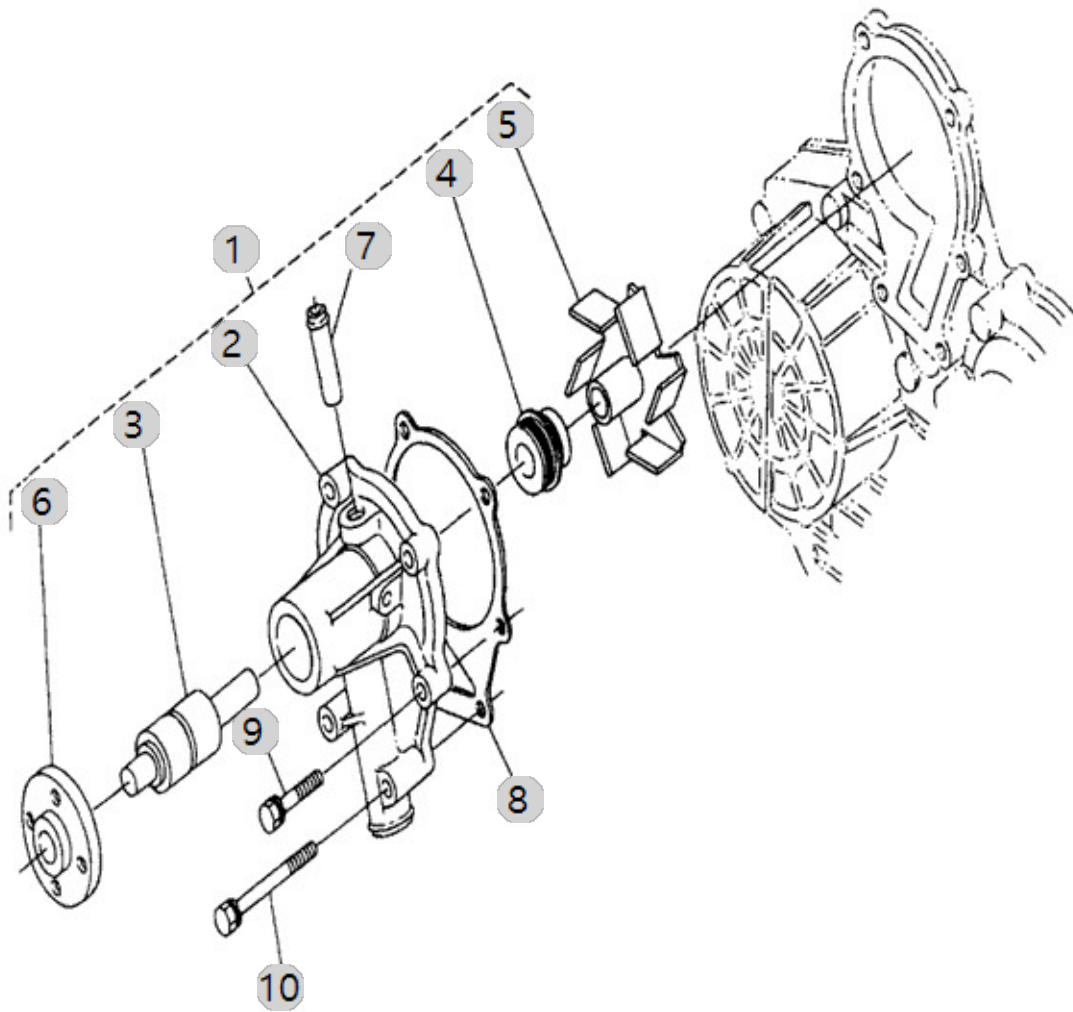
A09_001

A1100N2-UTR_4
(AB00368)

COOLING WATER PUMP

Year/Month

2022-12-14



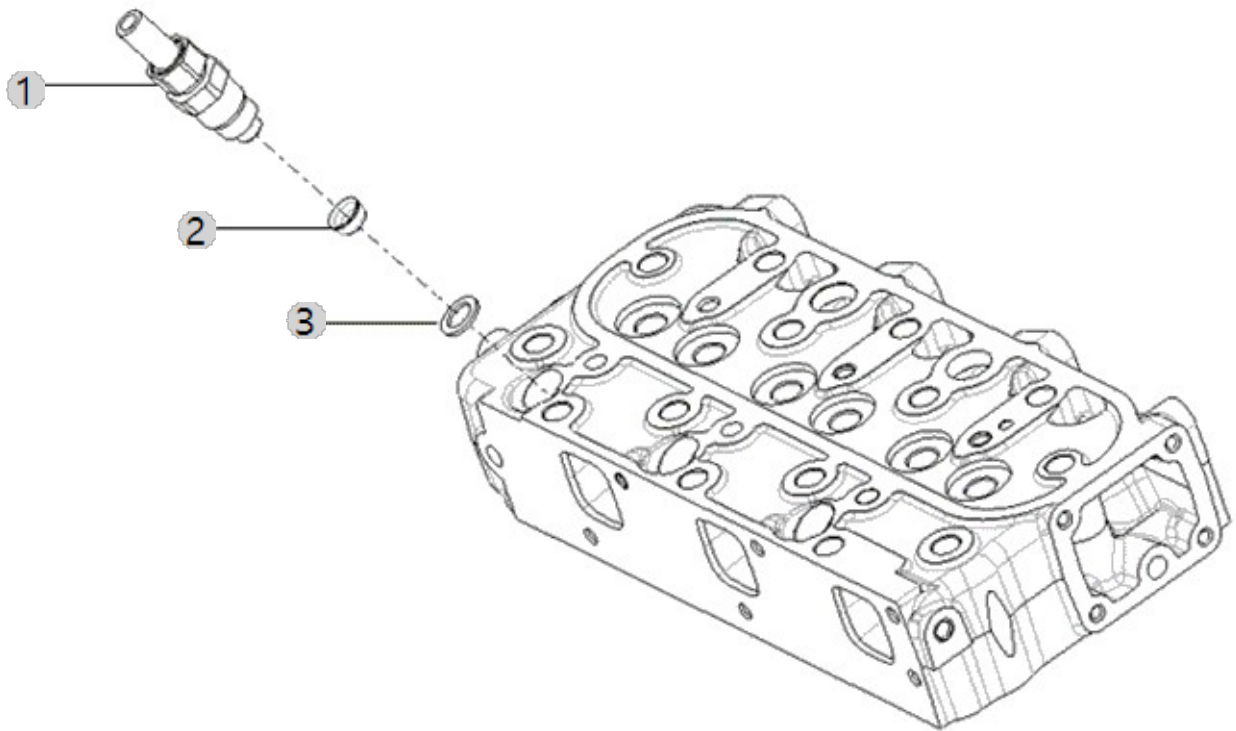
A11_002

A1100N2-UTR_4
(AB00368)

INJECTOR

Year/Month

2022-12-14



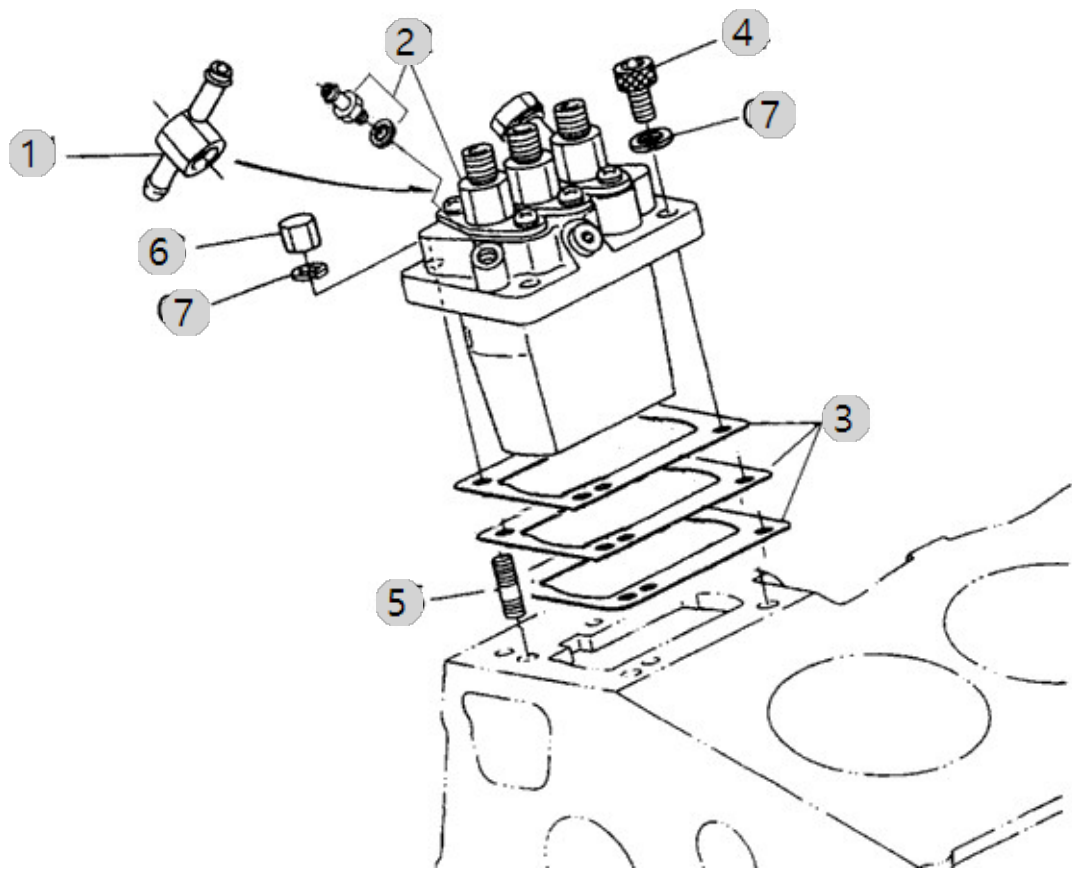
A12_002

A1100N2-UTR_4
(AB00368)

FUEL INJECTOR

Year/Month

2022-12-14



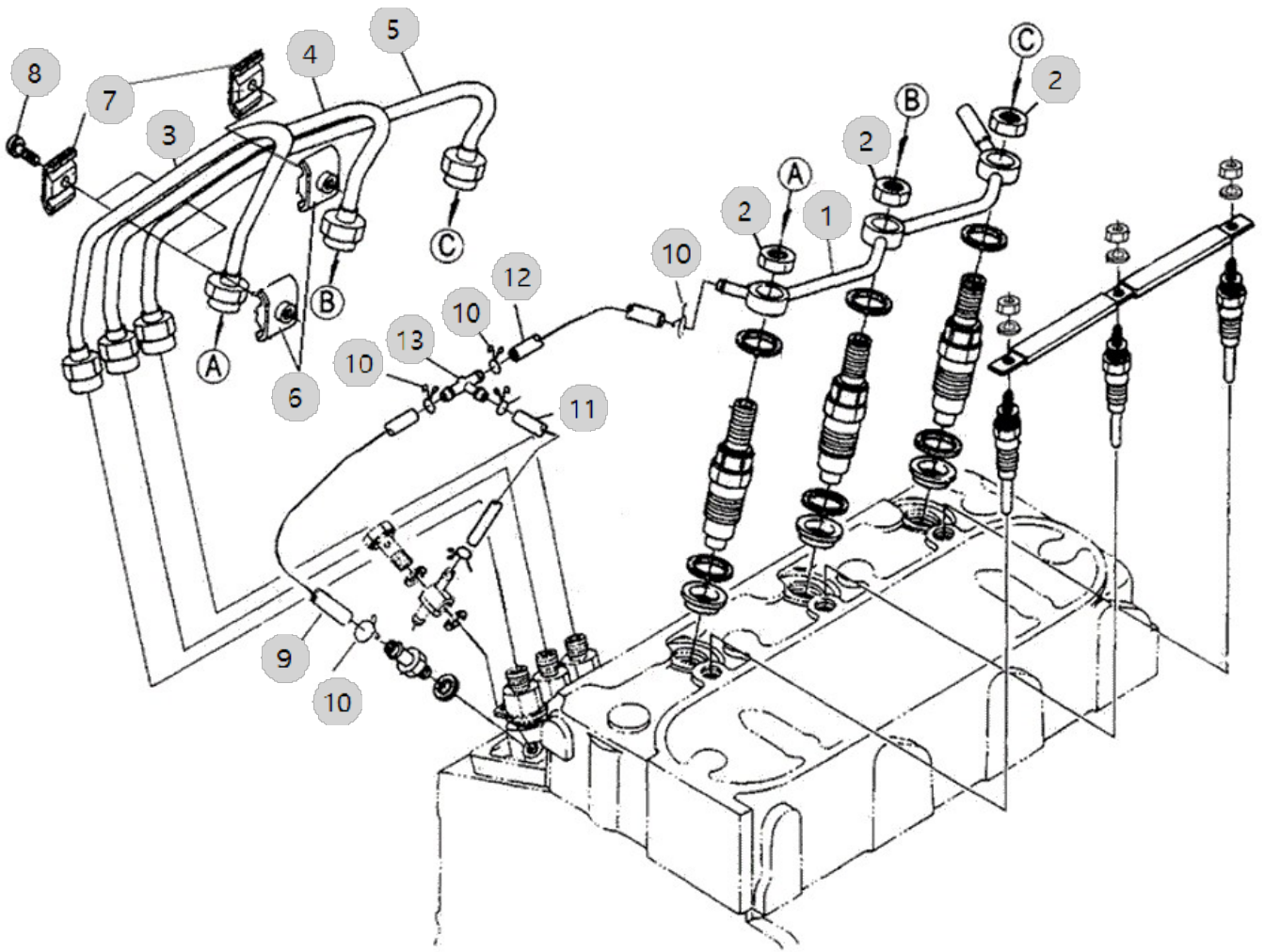
A13_001

A1100N2-UTR_4
(AB00368)

PLUMBING, FUEL

Year/Month

2022-12-14



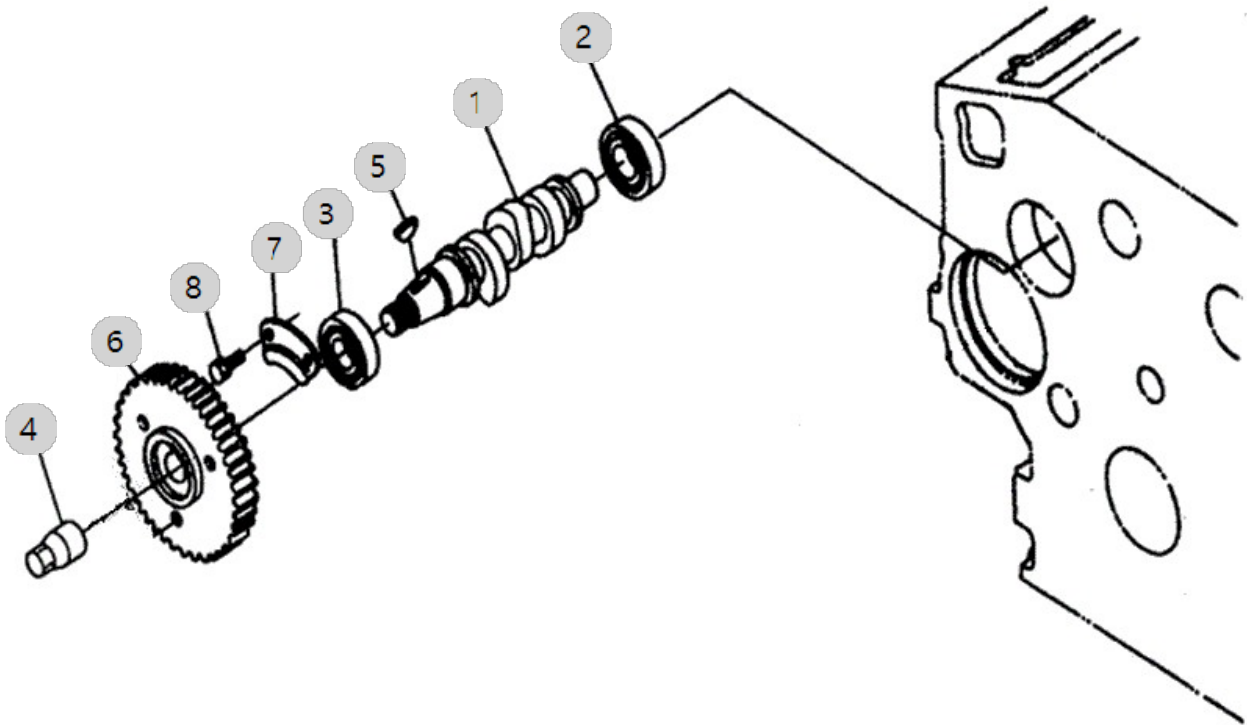
A15_001

A1100N2-UTR_4
(AB00368)

FUEL CAM SHAFT

Year/Month

2022-12-14



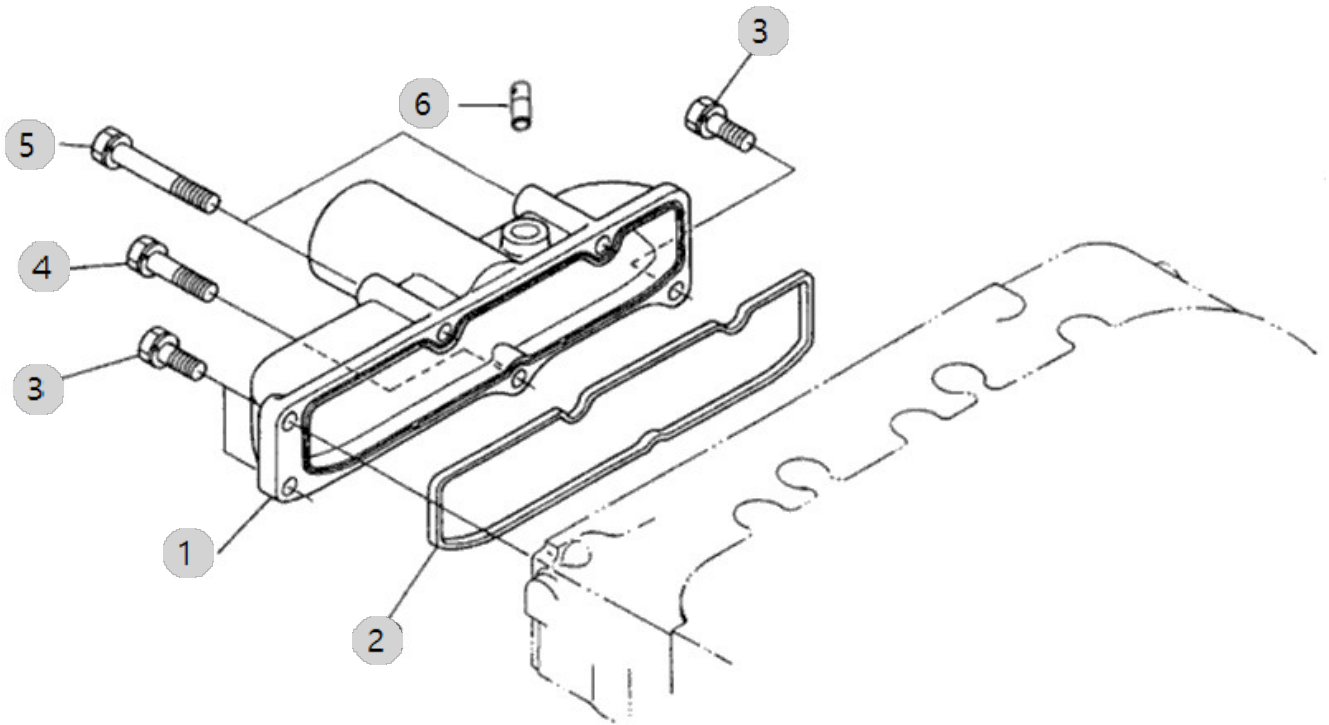
A17_002

A1100N2-UTR_4
(AB00368)

INTAKE MANIFOLD ASS'Y OPTION

Year/Month

2022-12-14



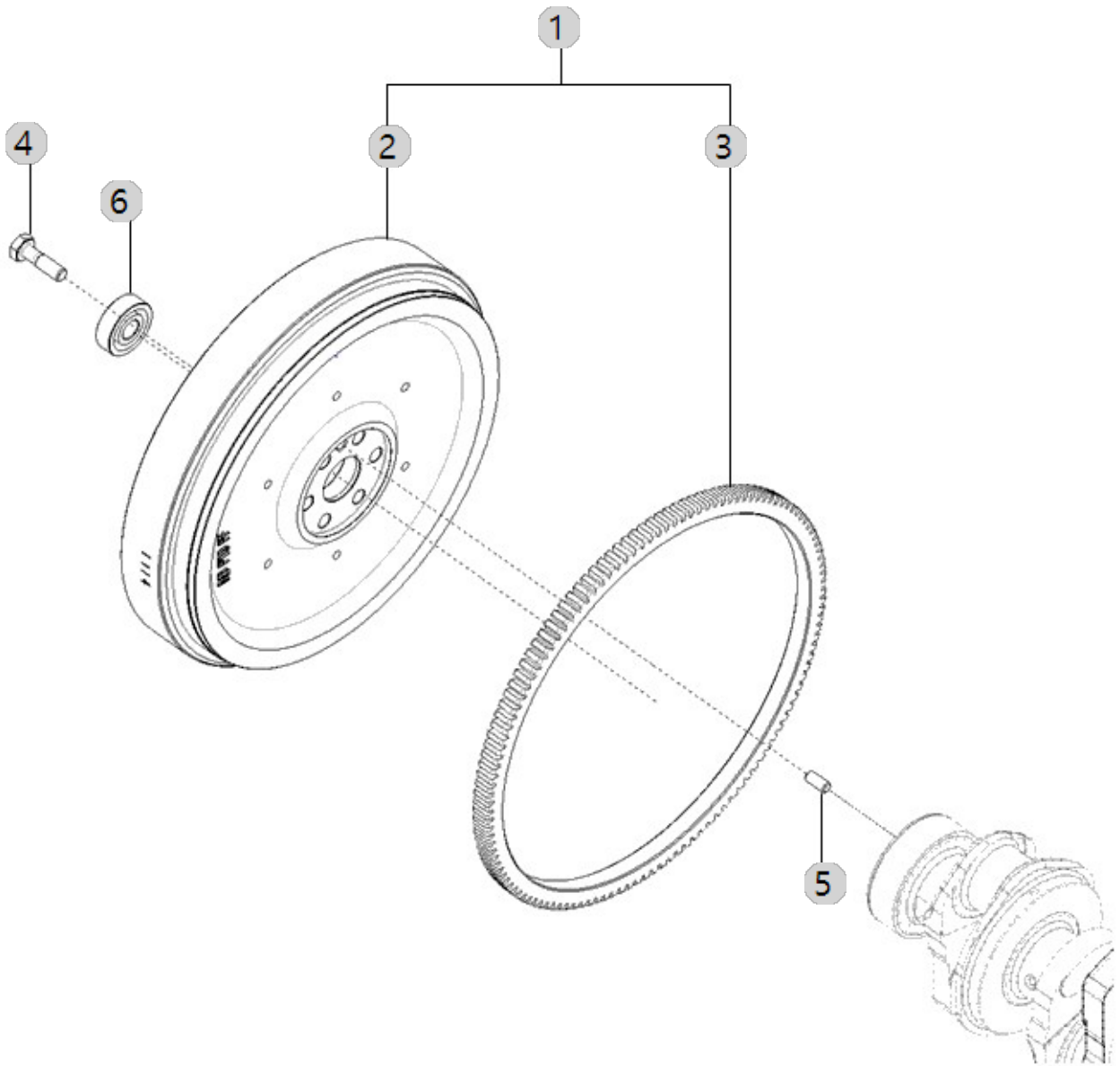
A18_001

A1100N2-UTR_4
(AB00368)

FLYWHEEL

Year/Month

2022-12-14



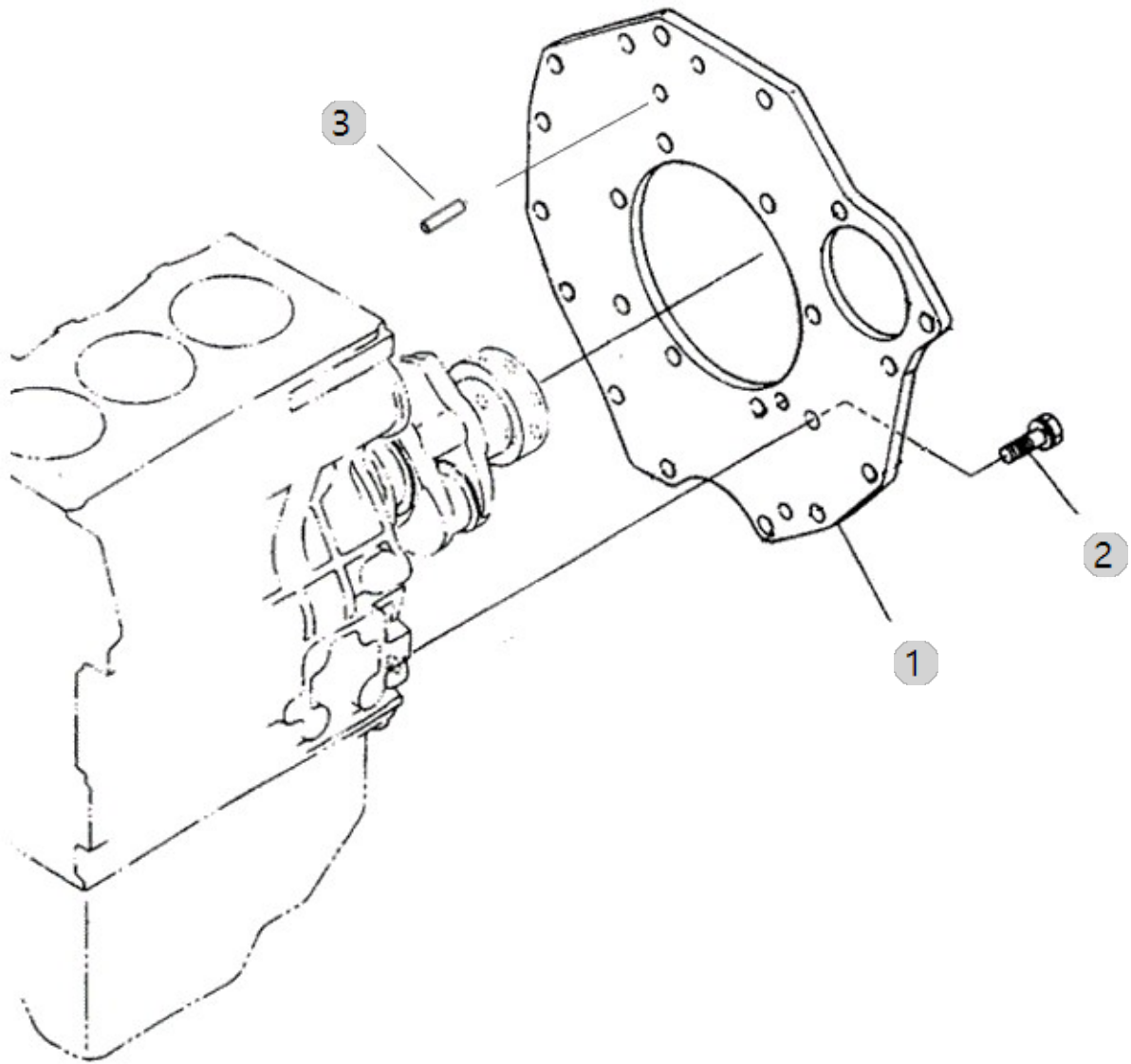
A19_001

A1100N2-UTR_4
(AB00368)

FLYWHEEL HOUSING

Year/Month

2022-12-14



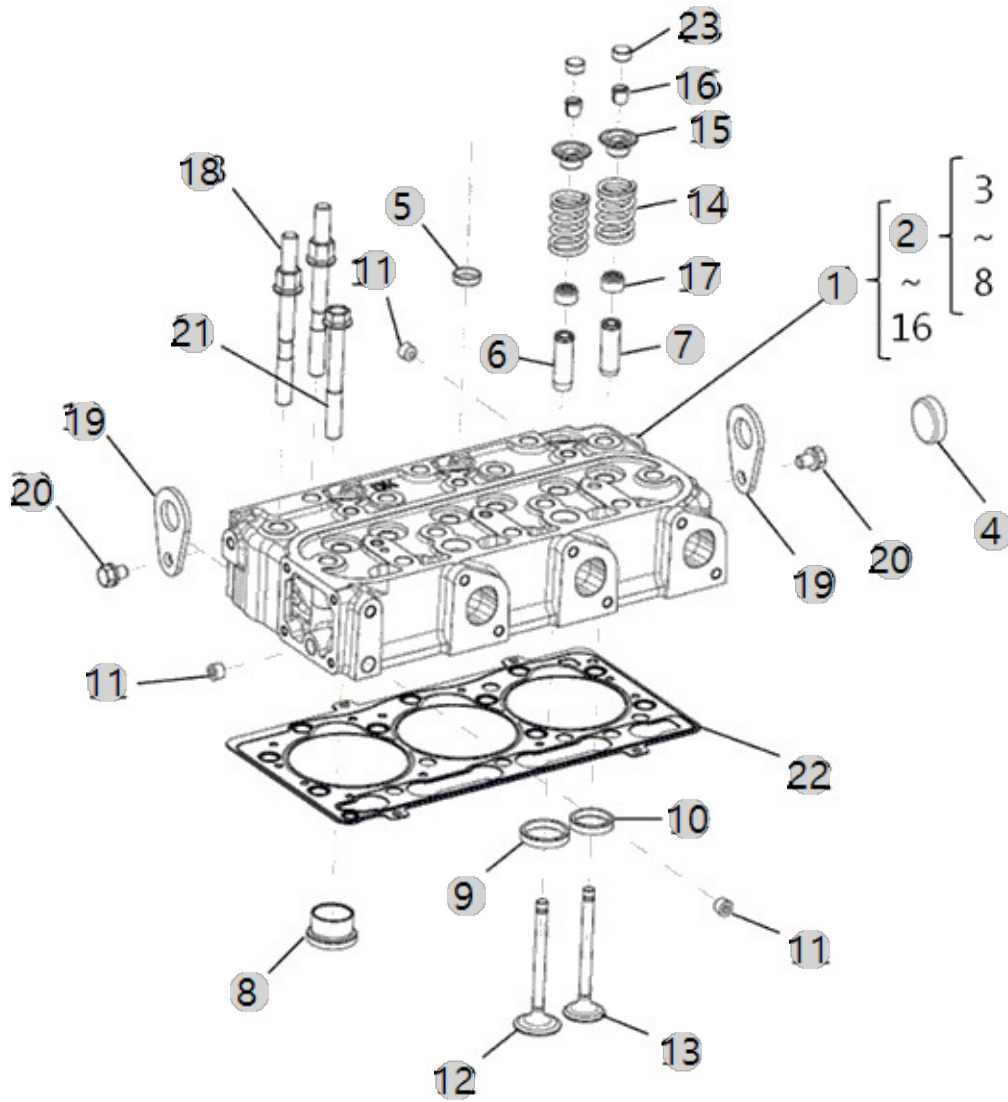
A20_002

A1100N2-UTR_4
(AB00368)

HEAD, CYLINDER

Year/Month

2022-12-14



A20_002 A1100N2-UTR_4 (AB00368)		HEAD, CYLINDER				Year/Month 2022-12-14
순번 (NO)	부품번호 (PART NO)	품명 (PART NAME)	품명 (PART NAME)	수량 (QTY)	규격 (SPEC)	비고 (REMARK)
1	EA00005520A	실린더헤드조합-A1100T2-KTR_4 (A3200W)	HEAD CYLINDER ASSY(A1100T)	1		
2	EA00005519B	실린더헤드조합	COMP, HEAD CYLINDER	1		
3	HT03010101D0	실린더 헤드	HEAD CYLINDER	1		
4	27241-300000	캡형플러그 30	PLUG (D30)	1	D30XT1.6	
5	27241-180000	캡형플러그	PLUG-SEALING CAP	2		
6	HT03010102B3	흡기밸브가이드	GUIDE INLET VALVE	3		
6	HT03010102A3	흡기 밸브 가이드	GUIDE INLET VALVE	3		
7	HT03010102B3	흡기밸브가이드	GUIDE INLET VALVE	3		
8	EA00004365A	예연소실	COMBUSTION CHAMBER	3		
9	EA00000961A	흡기 밸브 시트	SEAT, INTAKE	3		
10	EA00000962A	배기 밸브 시트	SEAT, EXHAUST	3		
11	23871-010000	테이퍼플러그	PLUG	3	PT1/8	
12	HT03010200A3	흡기 밸브	VALVE IMLET	3		
13	HT03010300A3	배기 밸브	VALVE EXHAUST	3		
14	HT03010400A3	밸브 스프링	SPRING VALVE	6		
15	HT03010500A3	밸브 스프링 리테이너	RETAINER VALVE SPRING	6		
16	HT03010600A3	밸브 스프링 코터	COTTER, VALVE SPRING	12	NONE	
17	HC03090000A4	밸브스템시일	SEAL,VALVESTEM	6		
18	EA00000452B	헤드볼트	BOLT, CYLINDER HEAD	2		
18	EA00000452C	헤드볼트	BOLT, CYLINDER HEAD	2	M10XP1.25	
19	HT03020000A4	엔진 고리	HOOK ENGINE	2	T4.0	
20	26013-080122	와셔조립육각볼트8X12	Bolt, Hexa (8-12)	1	M8XP1.25X12	
20	26013-080122	와셔조립육각볼트8X12	Bolt, Hexa (8-12)	2	M8XP1.25X12	
21	HT03030000B3	헤드 볼트	BOLT CYLINDER HEAD	14	M10XP1.25	
21	HT03030000B3	헤드 볼트	BOLT CYLINDER HEAD	12	M10XP1.25	
21	HT03030000B3	헤드 볼트	BOLT CYLINDER HEAD	12	M10XP1.25	
21	HT03030000B3	헤드 볼트	BOLT CYLINDER HEAD	14	M10XP1.25	
22	HT03040000B2	실린더 헤드 가스켓	GASKET CYLINDER HEAD	1		
22	HT03040000B2	실린더 헤드 가스켓	GASKET CYLINDER HEAD	1		
22	HT03040000B2	실린더 헤드 가스켓	GASKET CYLINDER HEAD	1		
22	HT03040000B2	실린더 헤드 가스켓	GASKET CYLINDER HEAD	1		
23	EA00000545A	밸브캡	CAP, VALVE	6		

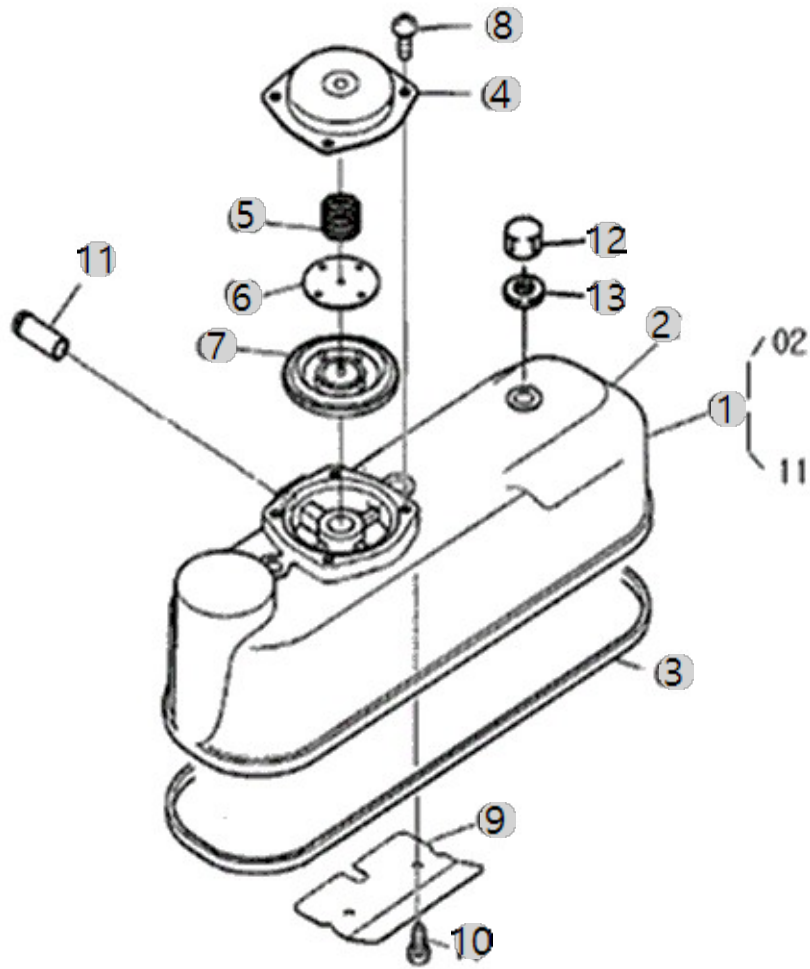
A21_001

A1100N2-UTR_4
(AB00368)

HEAD COVER

Year/Month

2022-12-14



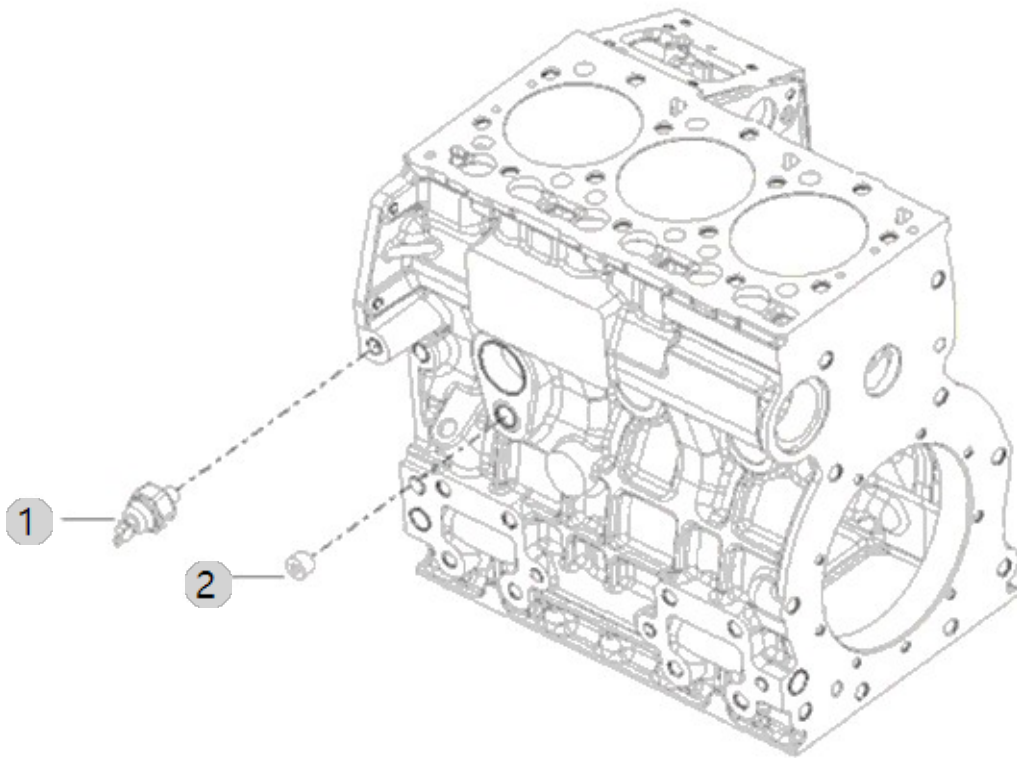
A23_001

A1100N2-UTR_4
(AB00368)

TURBOCHARGER SUPPORT ASS'Y OPTION

Year/Month

2022-12-14



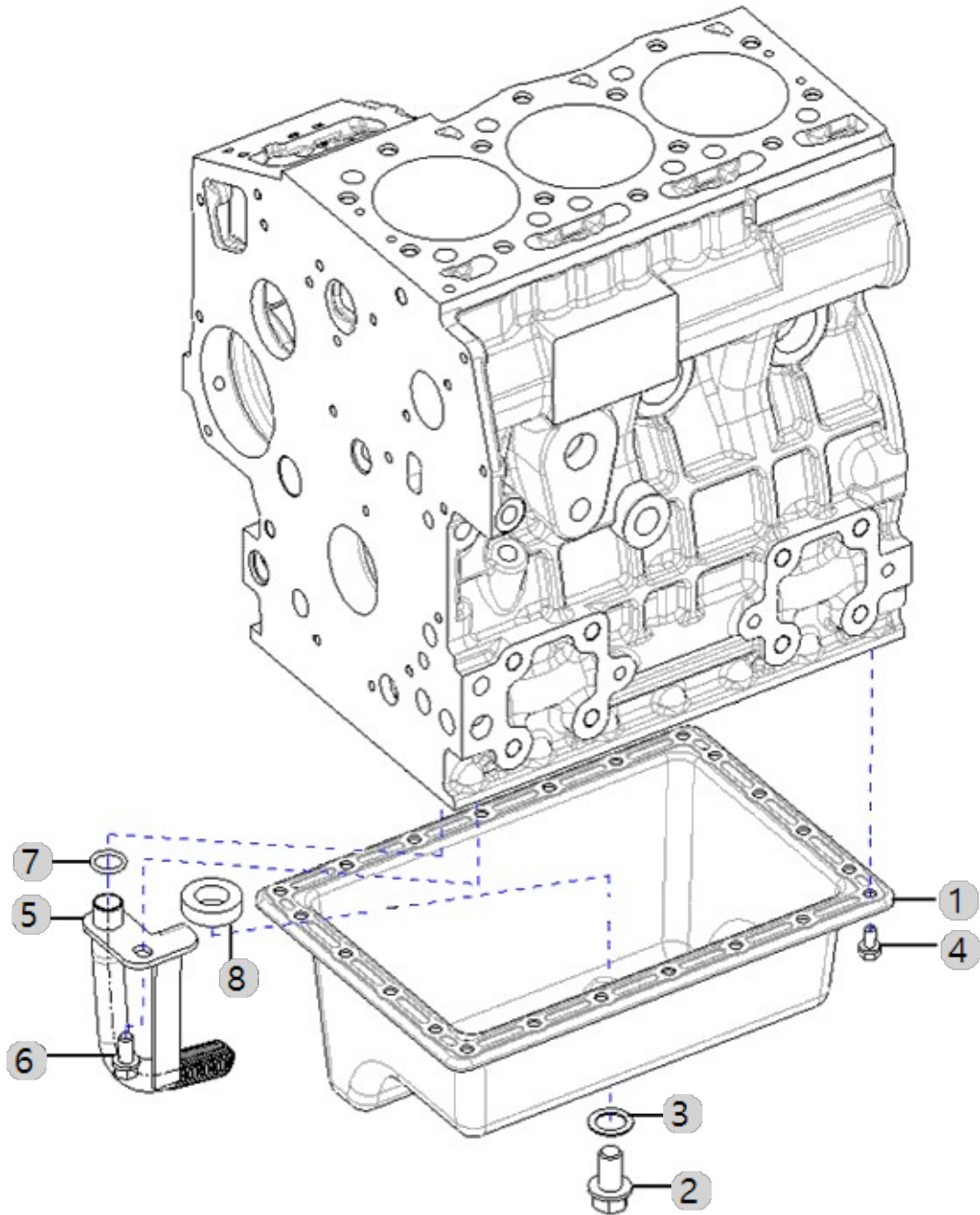
A27_002

A1100N2-UTR_4
(AB00368)

OIL PAN ASS'Y OPTION

Year/Month

2022-12-14



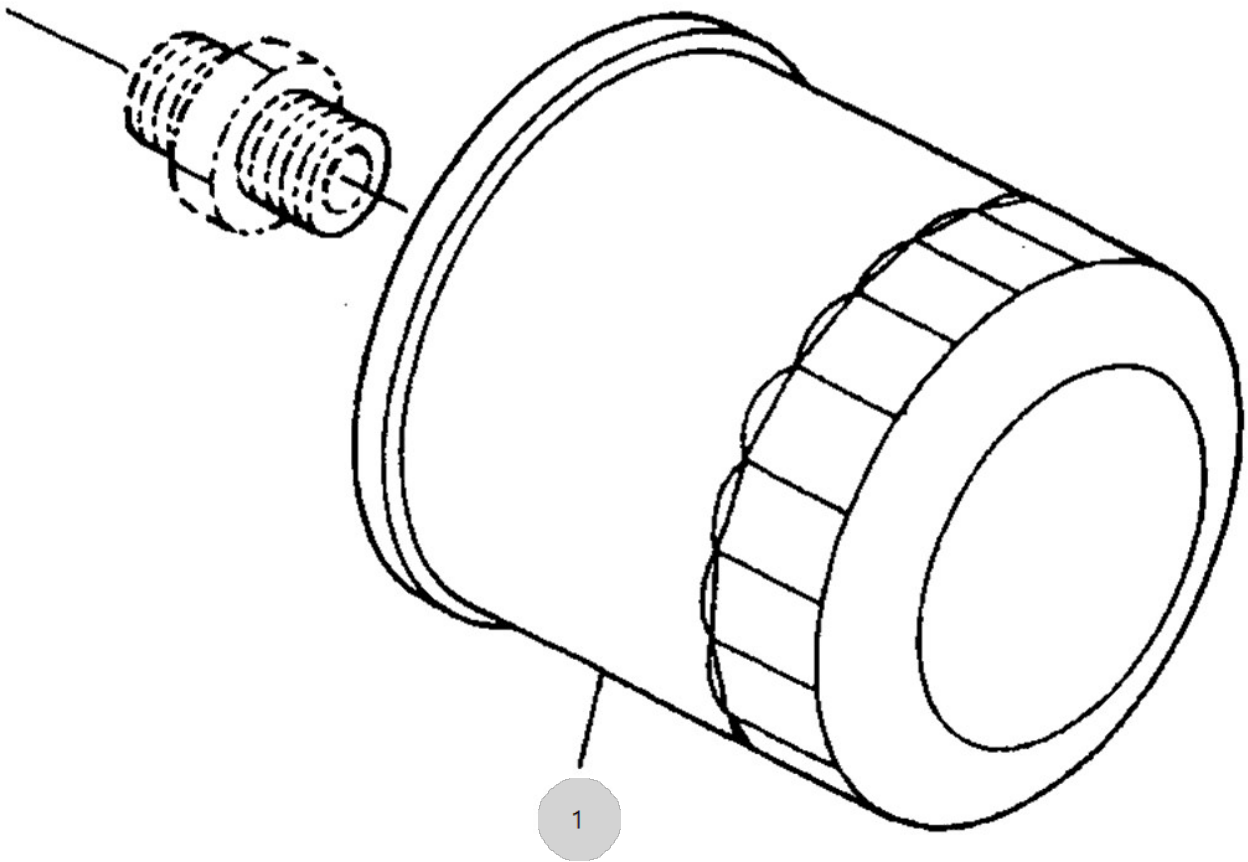
A29_001

A1100N2-UTR_4
(AB00368)

FILTER, LUBRICATING OIL

Year/Month

2022-12-14



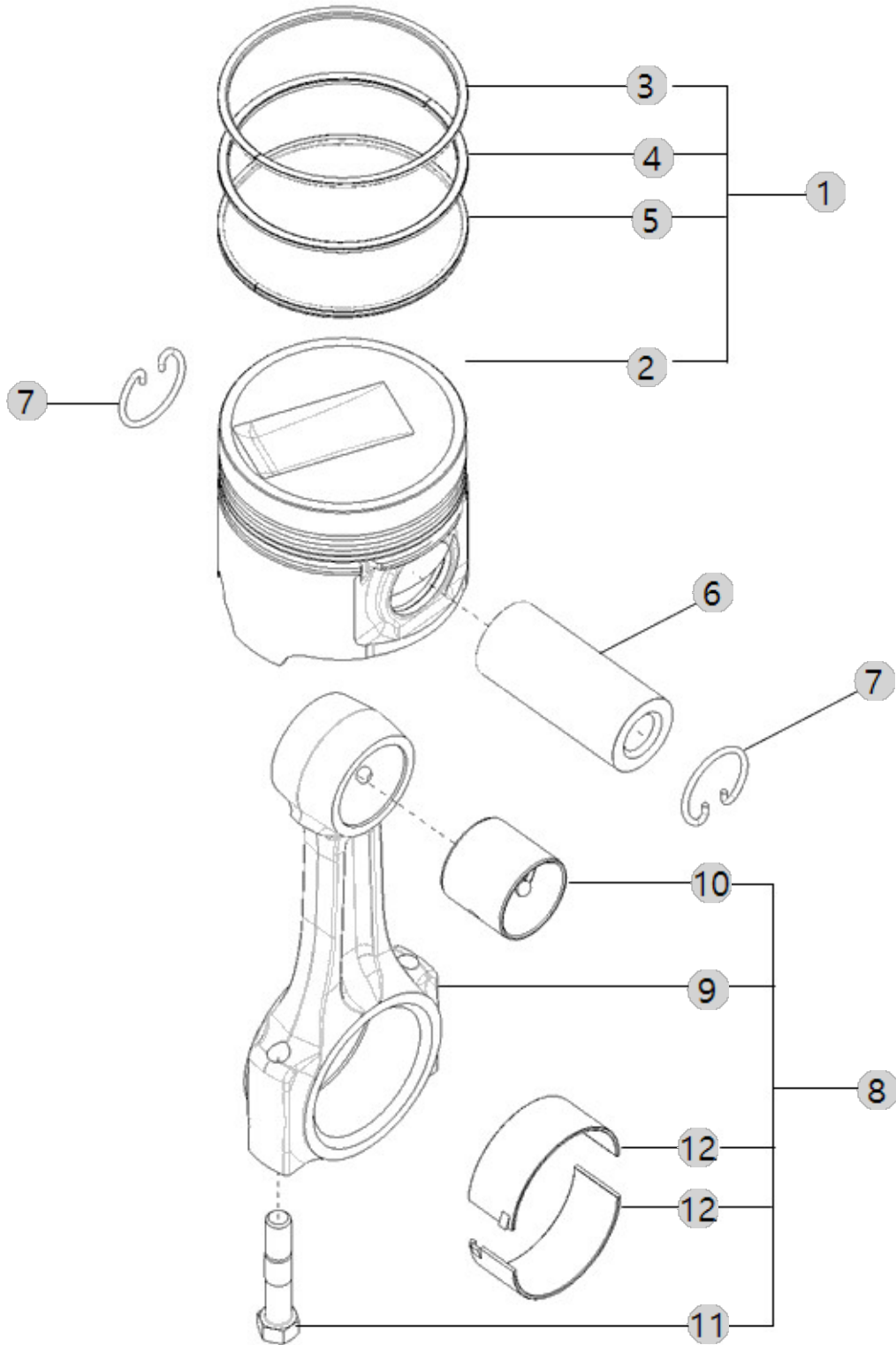
A31_002

A1100N2-UTR_4
(AB00368)

PISTON

Year/Month

2022-12-14



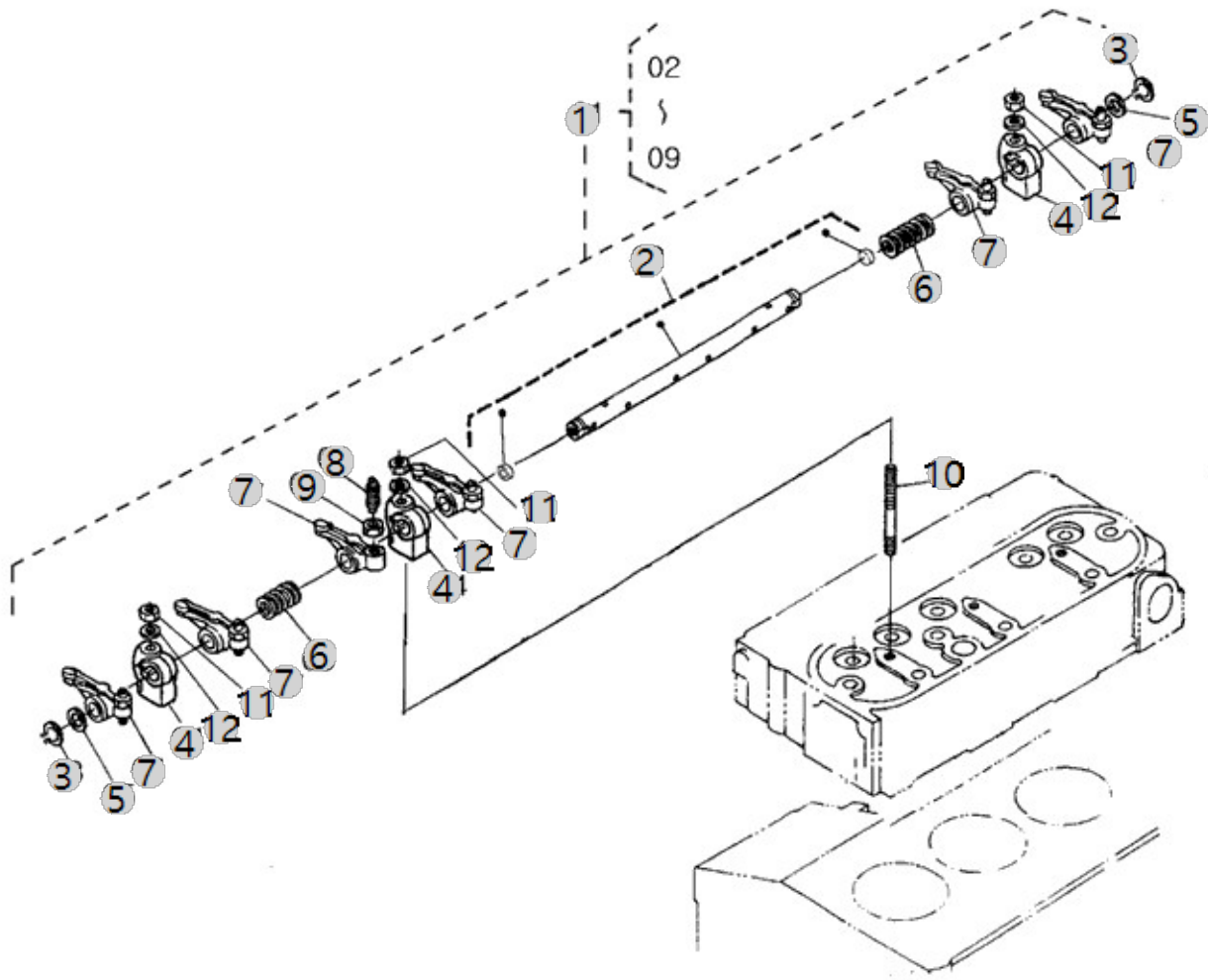
A32_001

A1100N2-UTR_4
(AB00368)

LEVER, LOCKER

Year/Month

2022-12-14



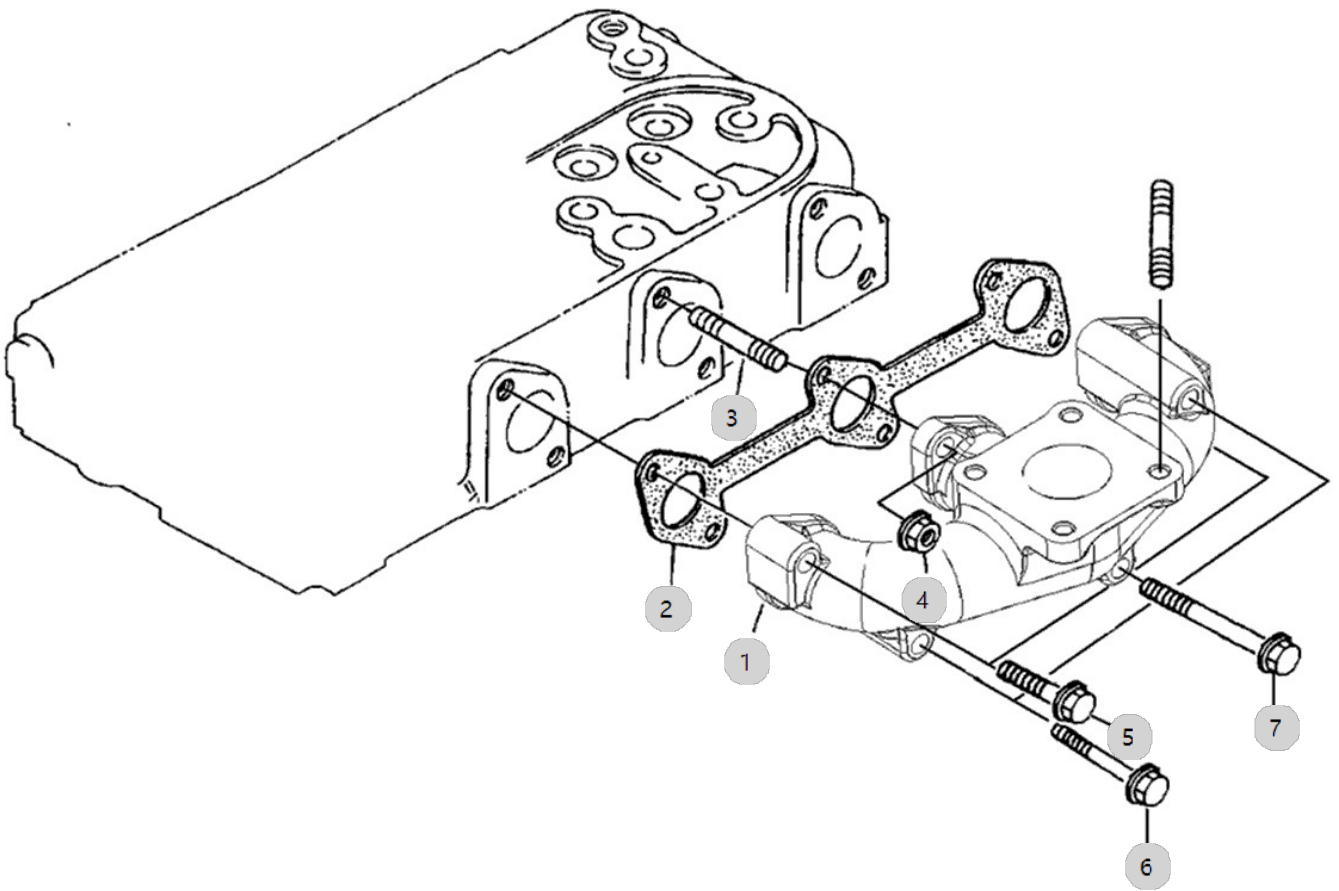
A33_003

A1100N2-UTR_4
(AB00368)

EXHAUST MANIFOLD

Year/Month

2022-12-14



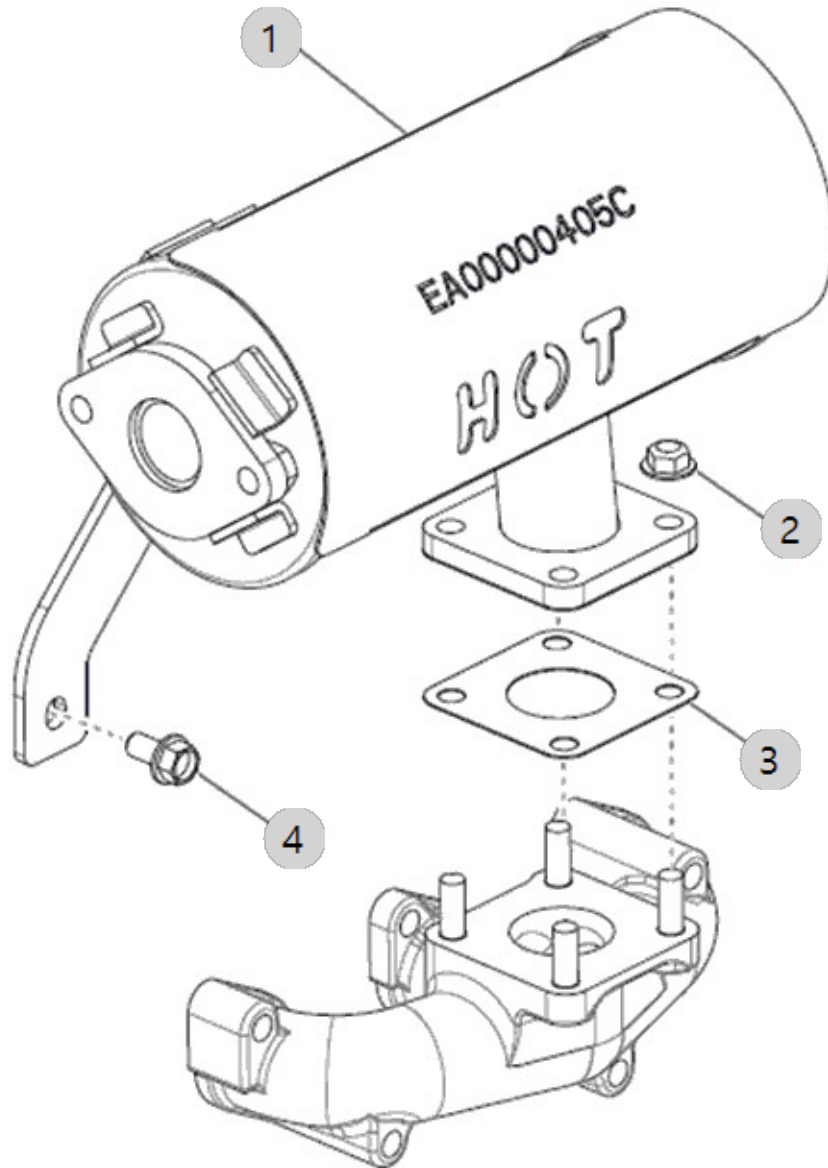
A34_002

A1100N2-UTR_4
(AB00368)

SILENCER

Year/Month

2022-12-14



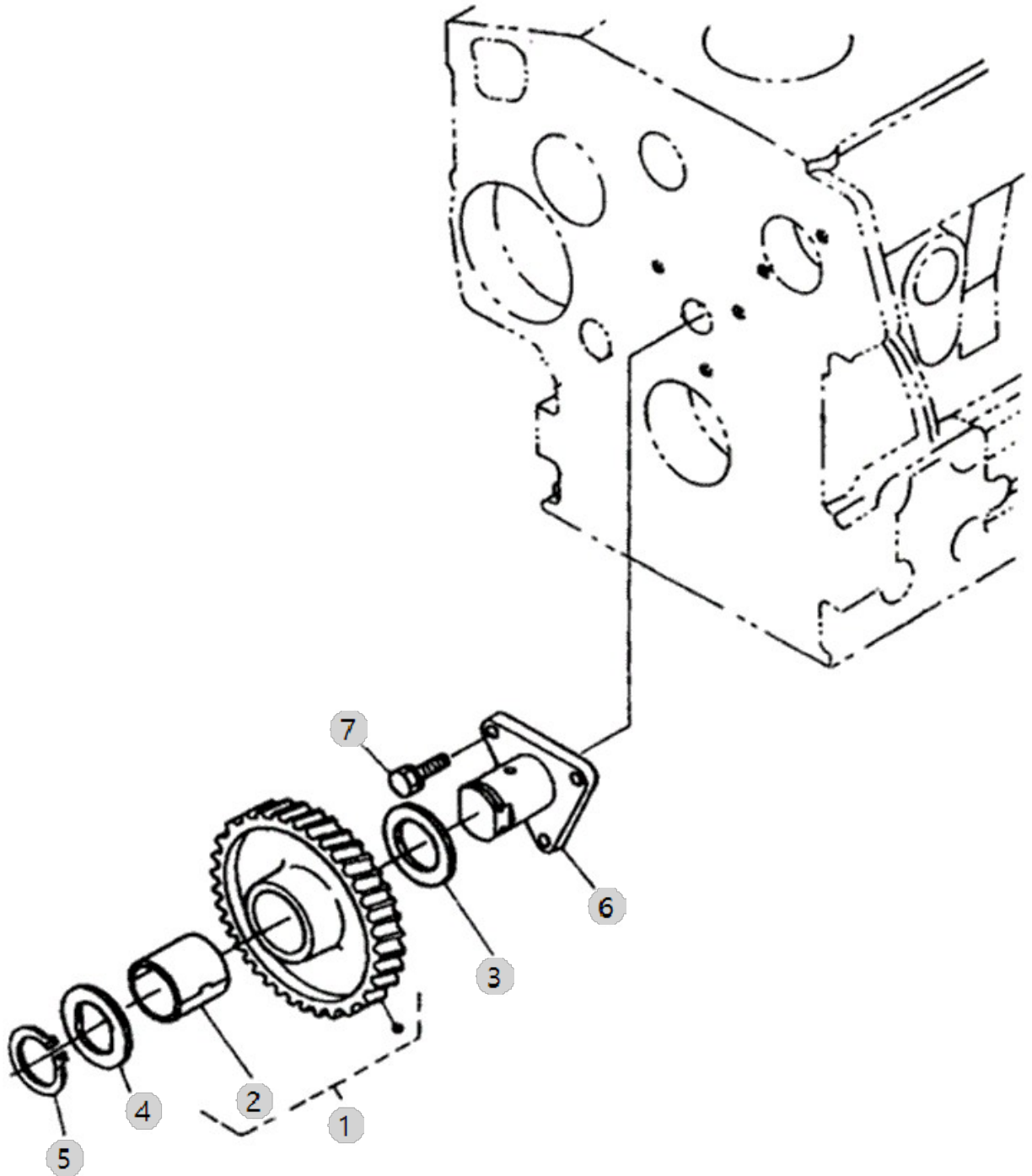
A35_001

A1100N2-UTR_4
(AB00368)

IDLE GEAR

Year/Month

2022-12-14



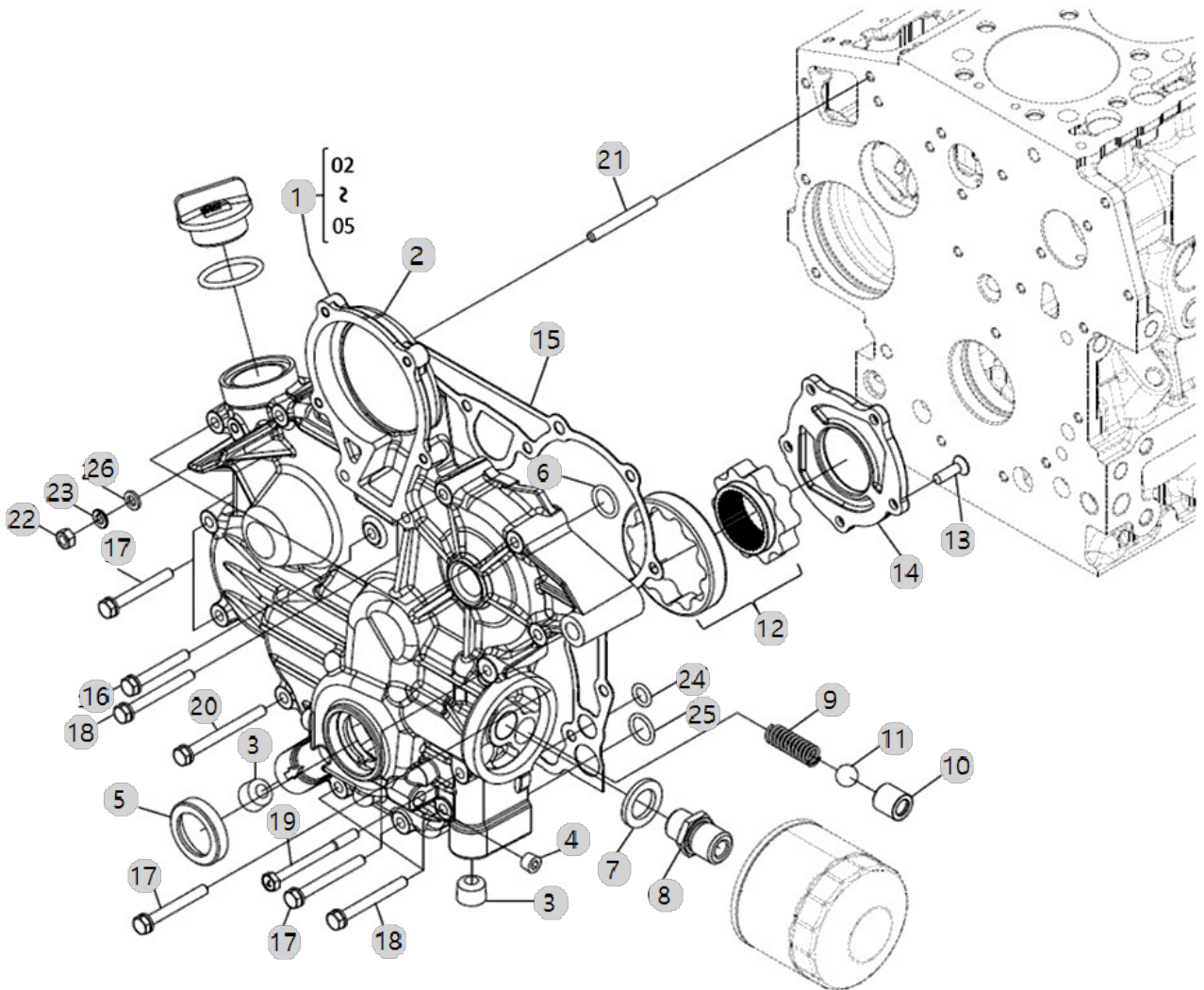
A36_001

A1100N2-UTR_4
(AB00368)

COVER, FRONT GEAR

Year/Month

2022-12-14



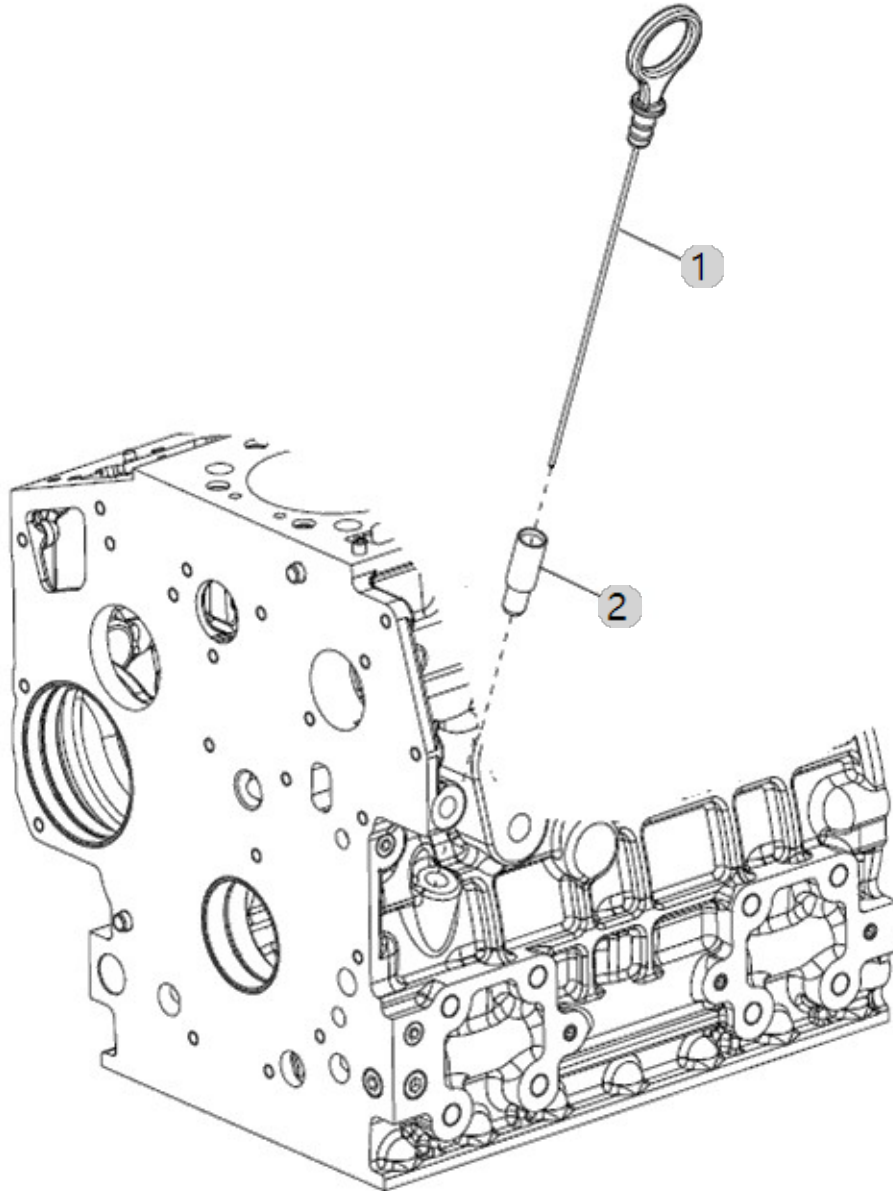
A38_003

A1100N2-UTR_4
(AB00368)

GAUGE, OIL LEVEL

Year/Month

2022-12-14



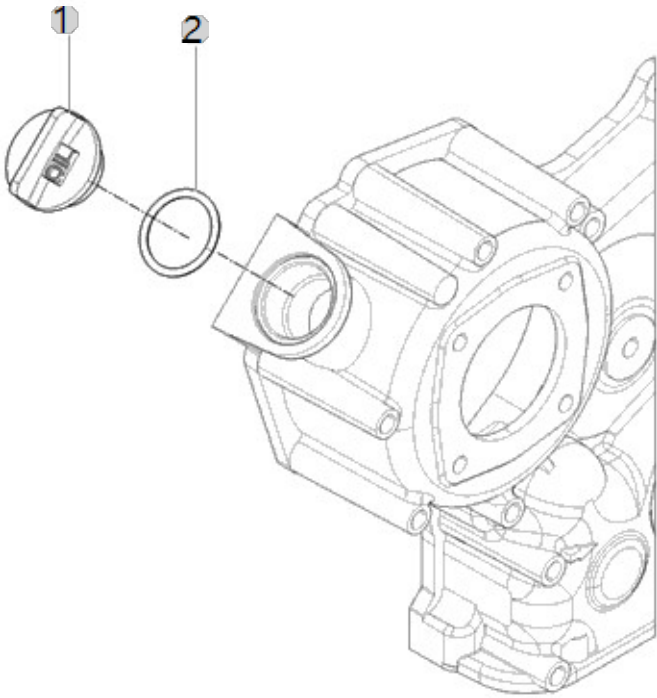
A39_001

A1100N2-UTR_4
(AB00368)

OIL FILLER CAP

Year/Month

2022-12-14



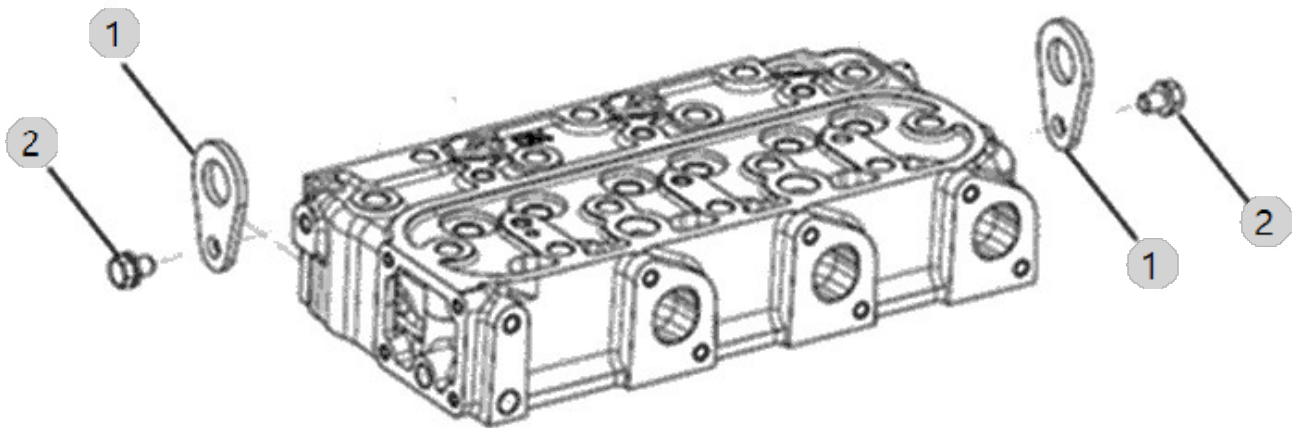
A40_001

A1100N2-UTR_4
(AB00368)

LIFT ASS'Y OPTION

Year/Month

2022-12-14



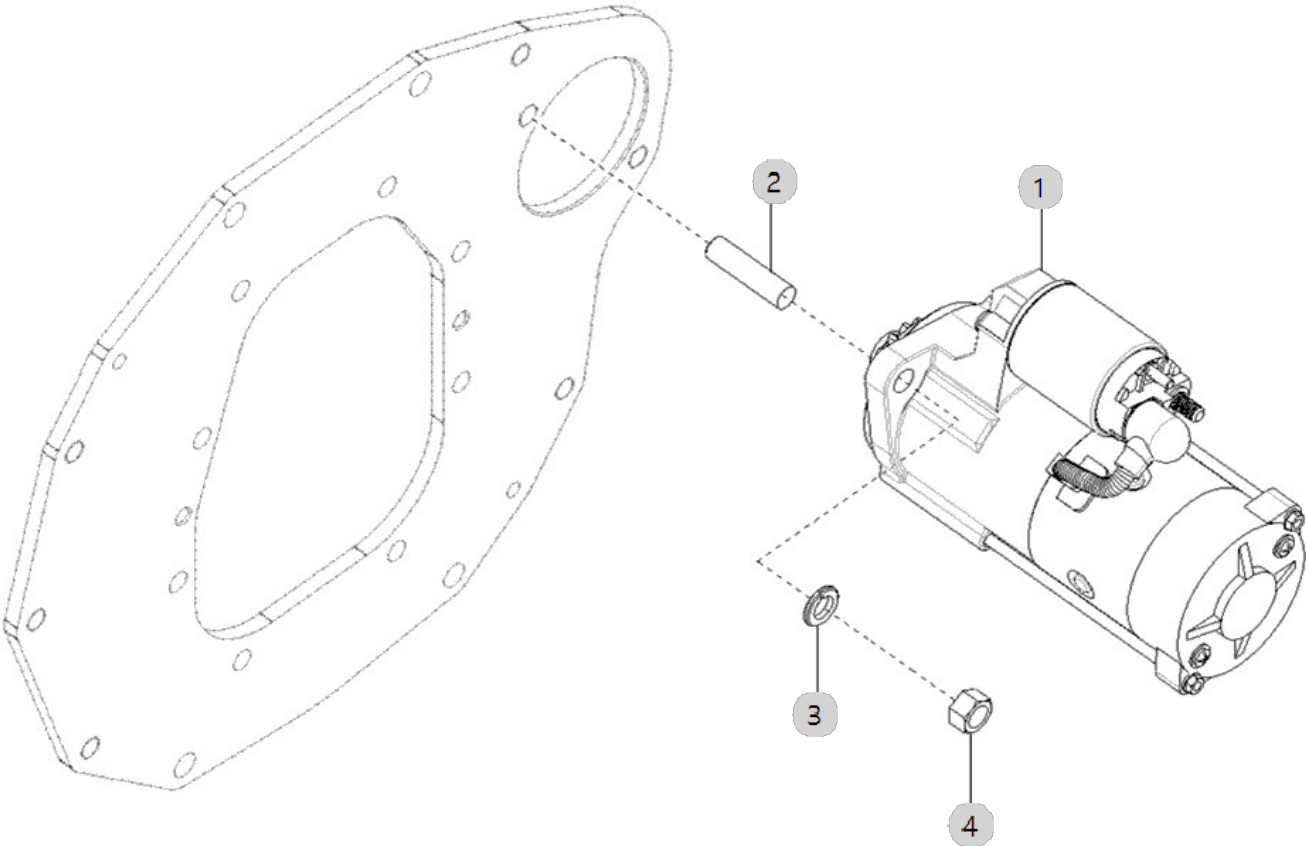
A42_002

A1100N2-UTR_4
(AB00368)

MOTER, STARTIONS

Year/Month

2022-12-14



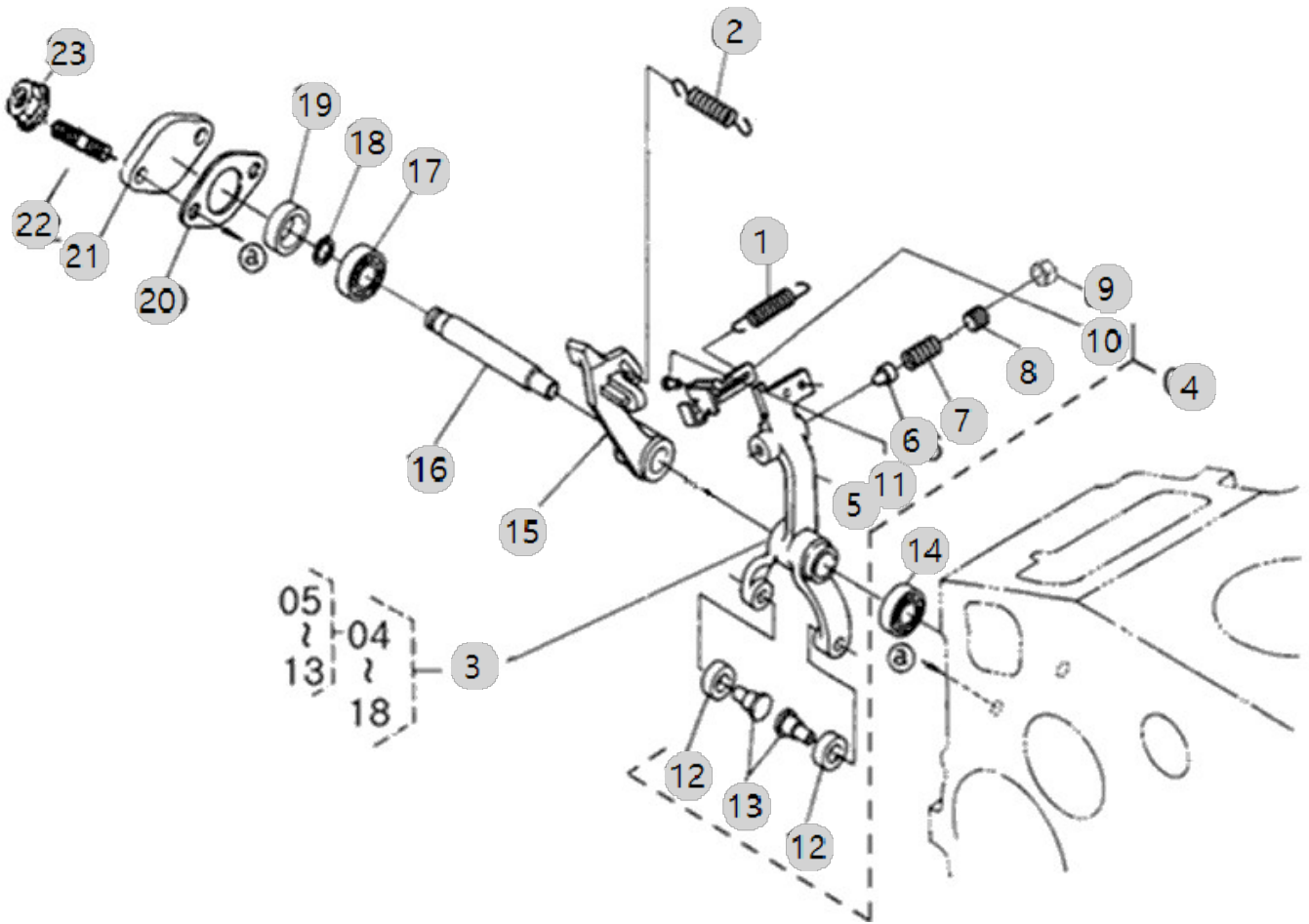
A46_001

A1100N2-UTR_4
(AB00368)

FORK LEVER ASS'Y OPTION

Year/Month

2022-12-14



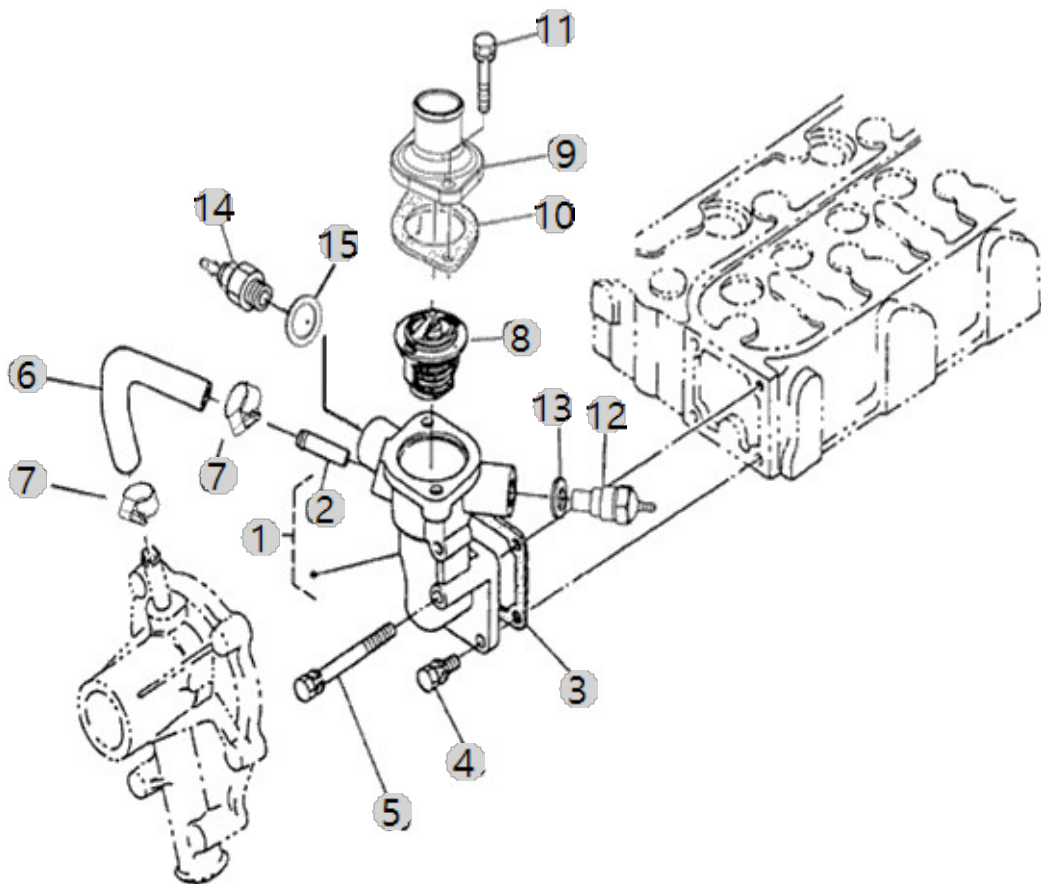
A47_001

A1100N2-UTR_4
(AB00368)

WATER PUMP FLANGE&THERMOSTAT

Year/Month

2022-12-14



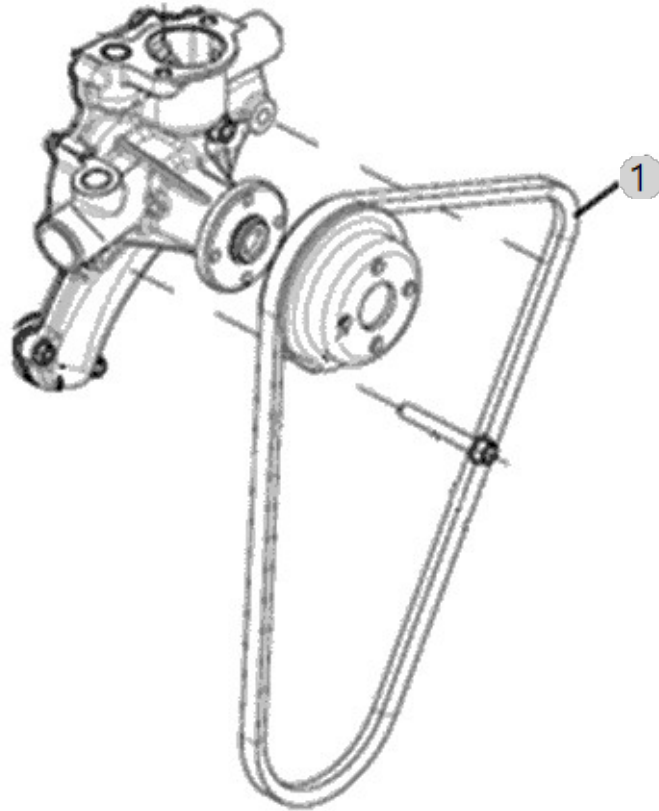
A48_002

A1100N2-UTR_4
(AB00368)

V-BELT

Year/Month

2022-12-14



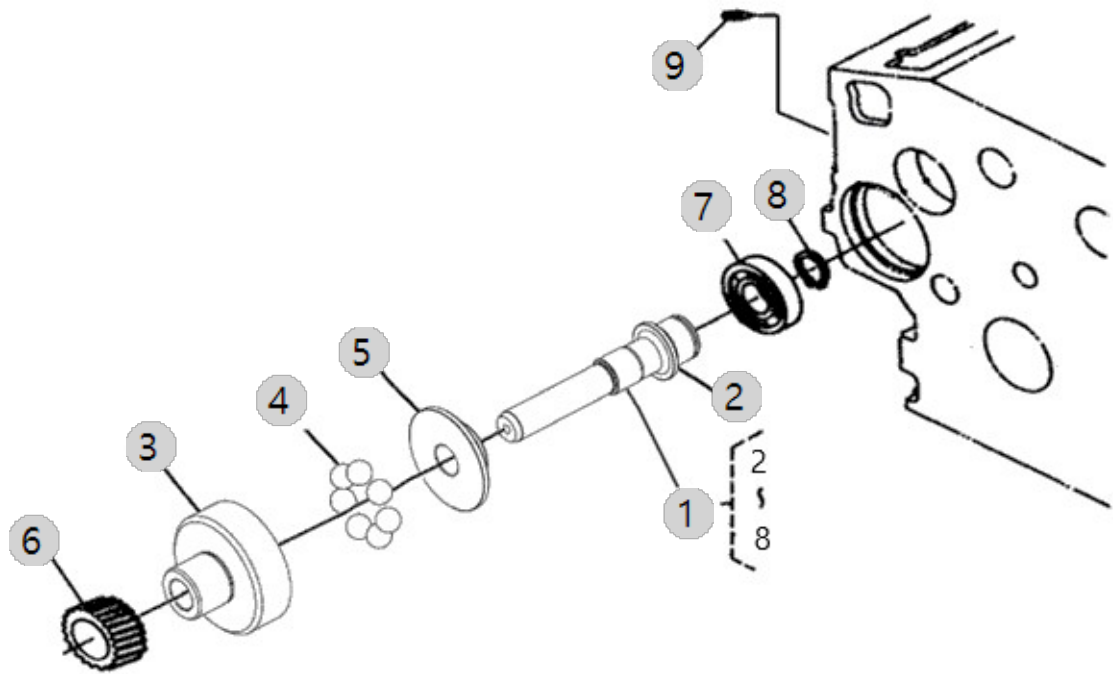
A53_001

A1100N2-UTR_4
(AB00368)

COVERNOR ASSY

Year/Month

2022-12-14



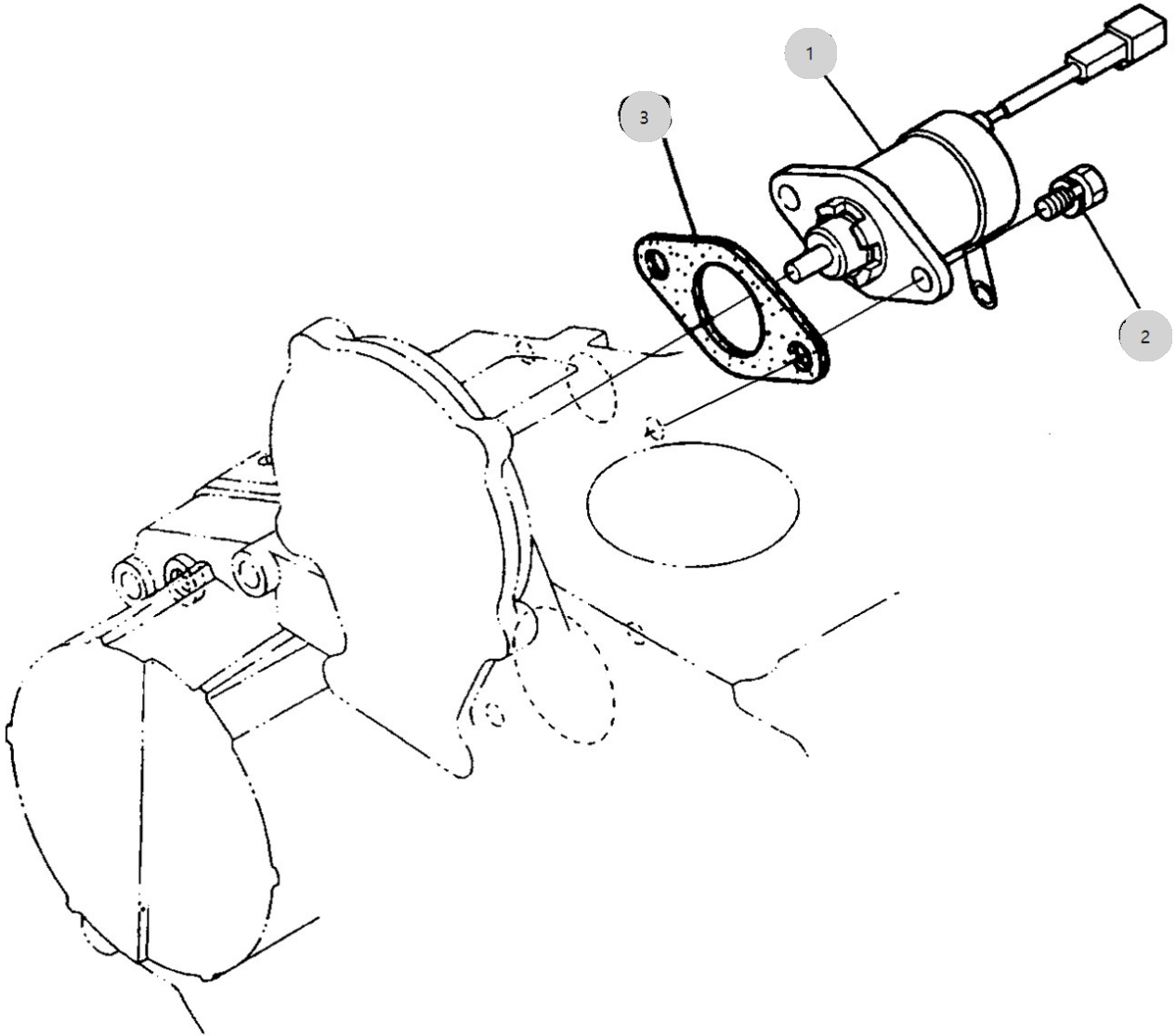
A54_001

A1100N2-UTR_4
(AB00368)

STOP SOLENOID

Year/Month

2022-12-14



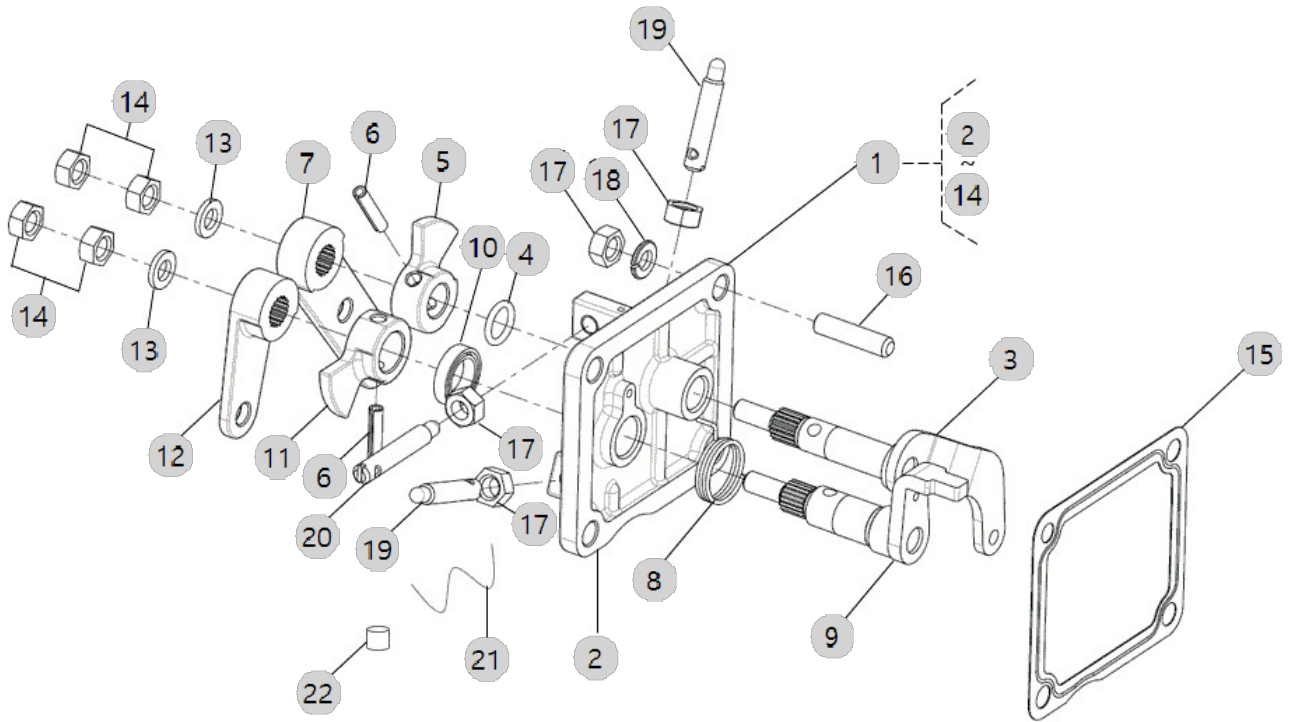
A55_001

A1100N2-UTR_4
(AB00368)

SPEED CONTROL PLATE

Year/Month

2022-12-14



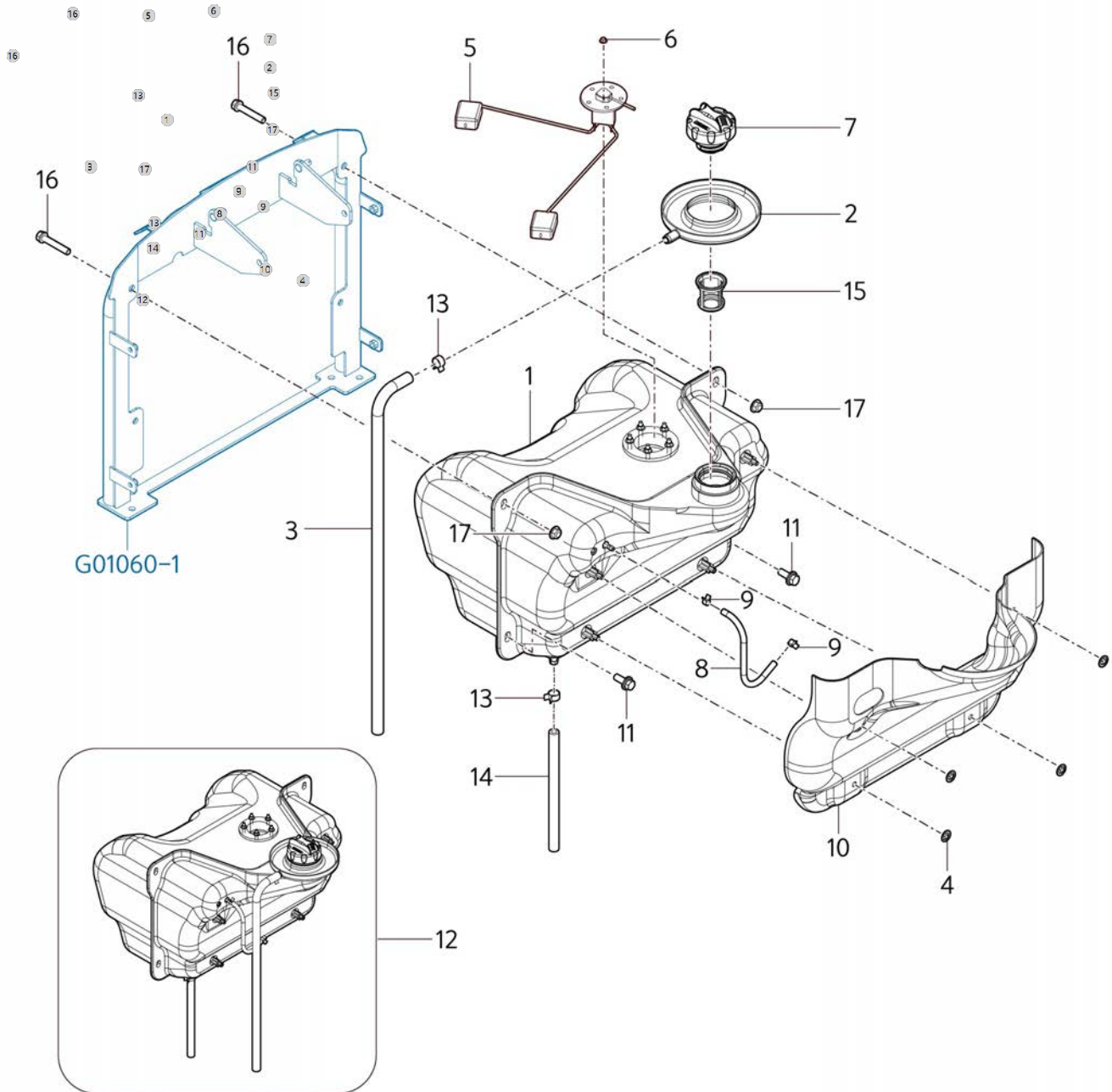
B01010

2610H US_FL
(AC02170)

FUEL TANK

Year/Month

2022-12-14



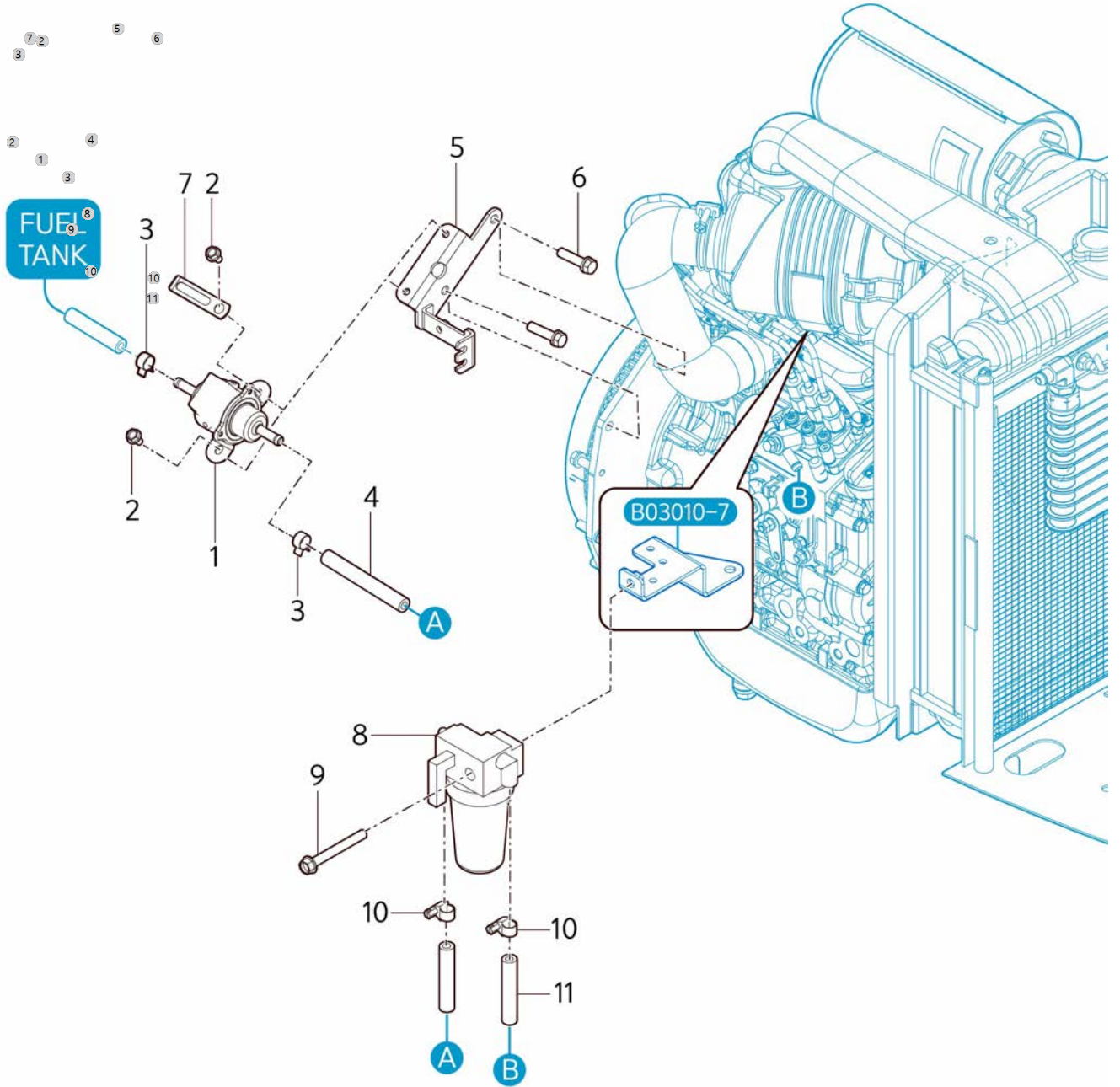
B01032

2610H US_FL
(AC02170)

FUEL LINE

Year/Month

2022-12-14



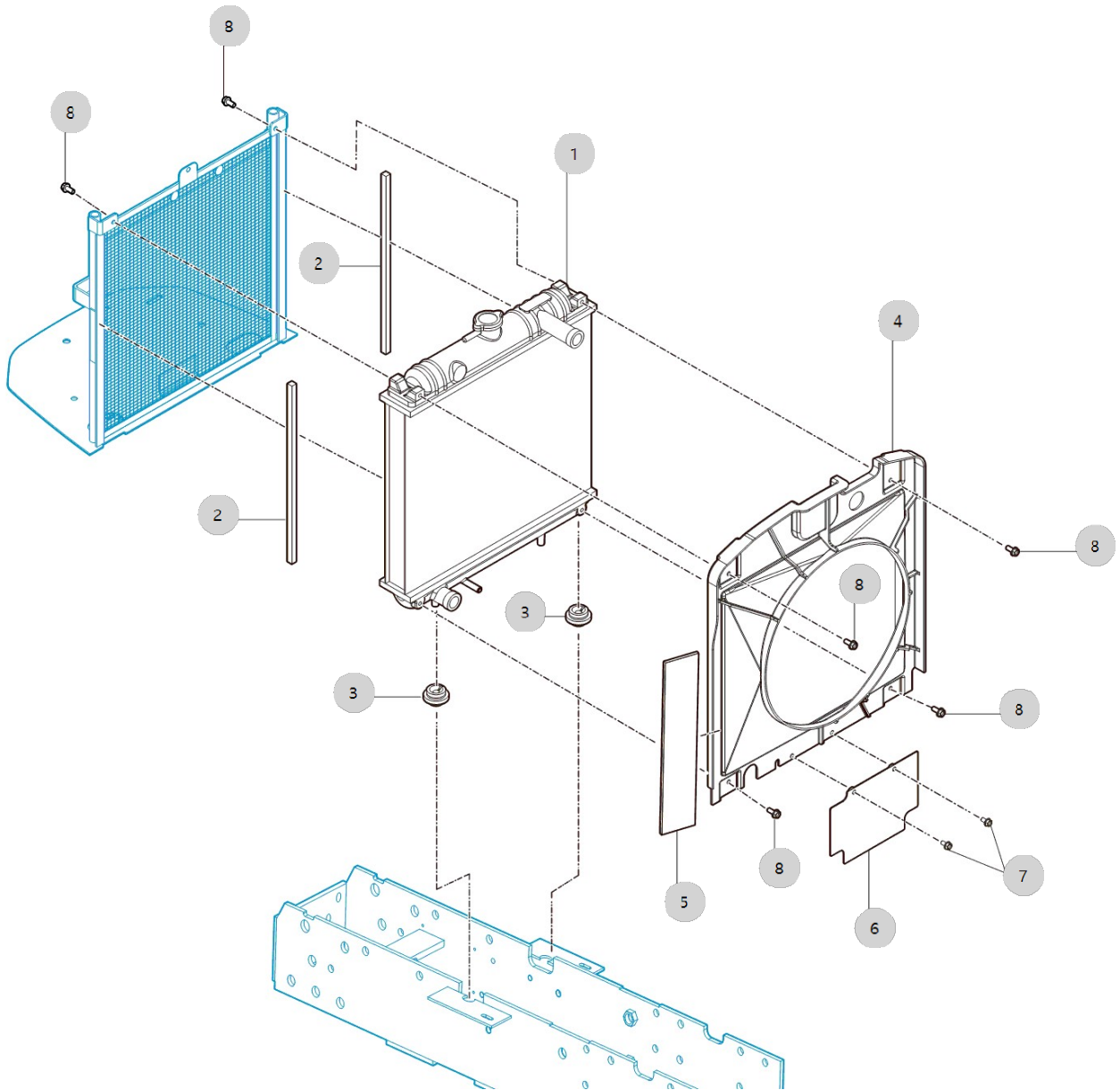
B02020

2610H US_FL
(AC02170)

RADIATOR

Year/Month

2022-12-14



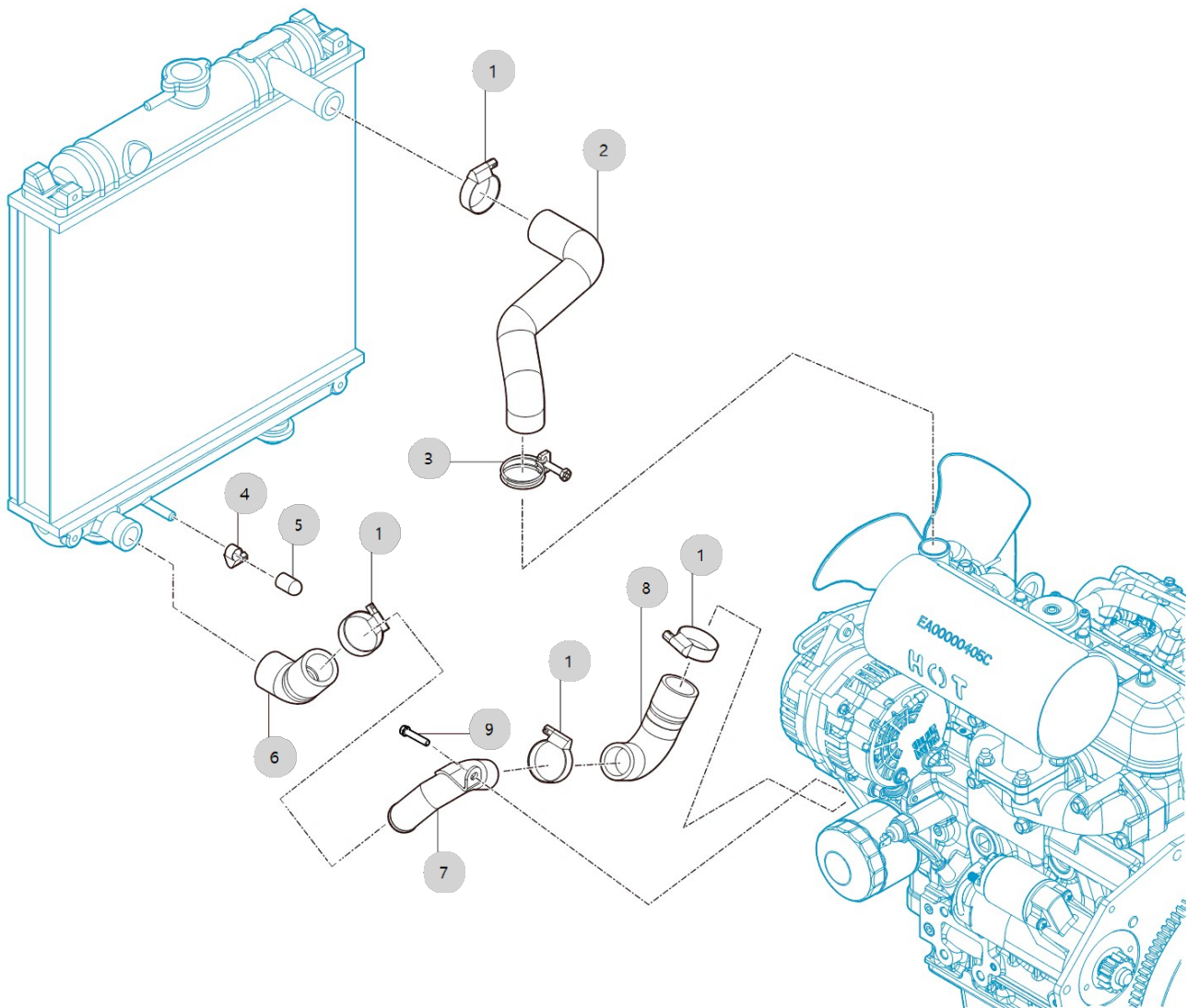
B02040

2610H US_FL
(AC02170)

WATER PIPE

Year/Month

2022-12-14



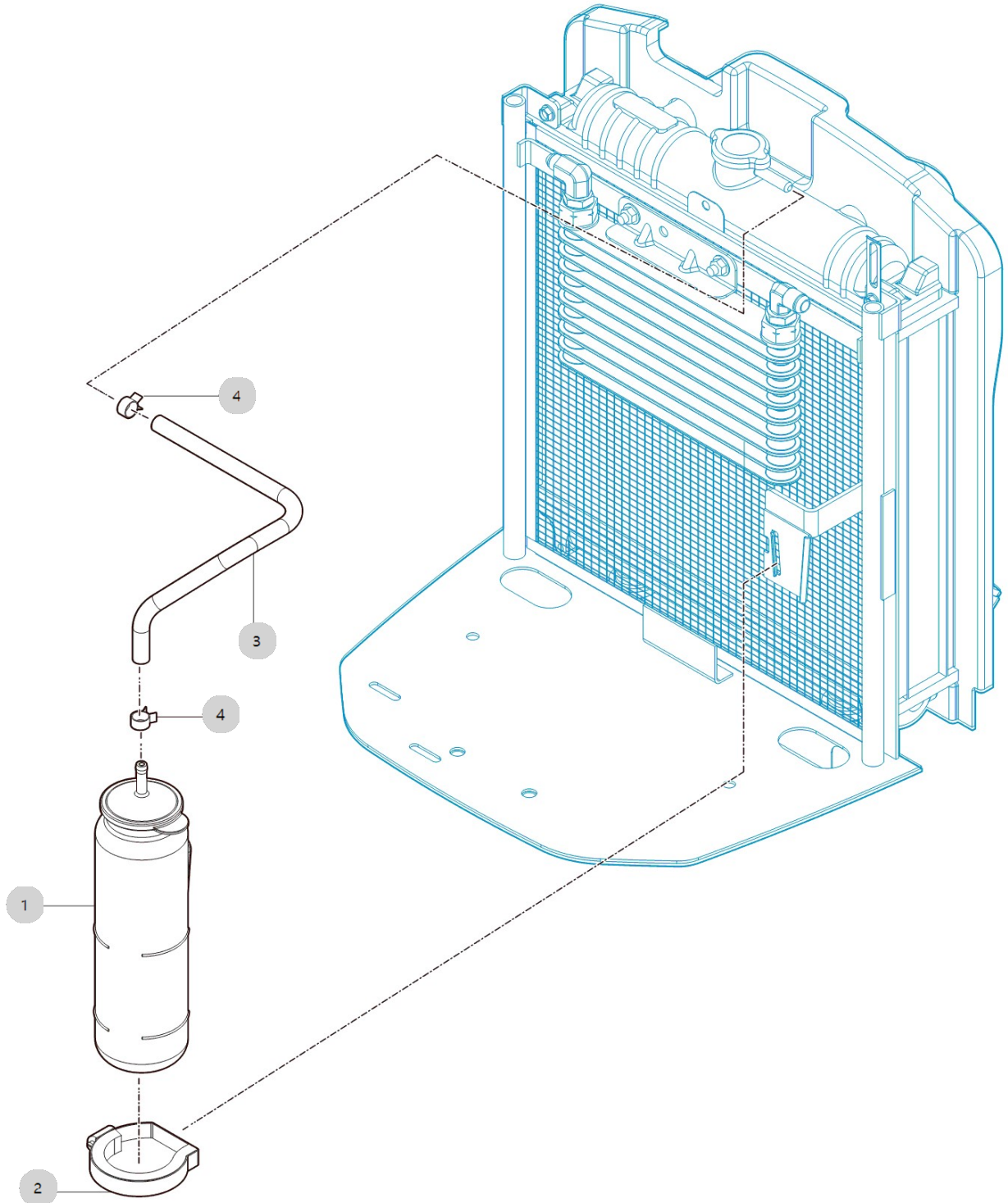
B02050

2610H US_FL
(AC02170)

AUXILIARY COOLANT TANK

Year/Month

2022-12-14



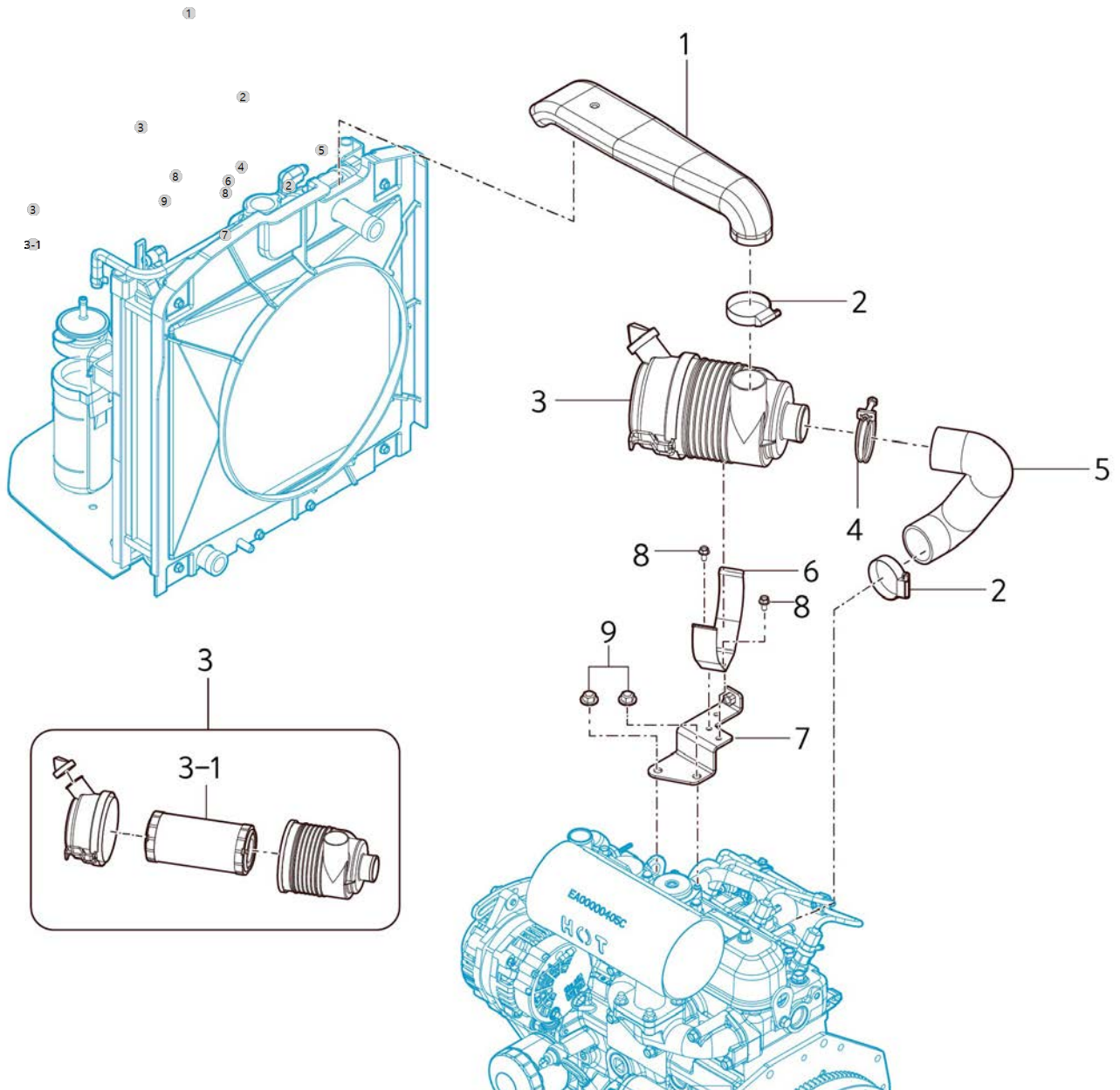
B03010

2610H US_FL
(AC02170)

AIR CLEANER

Year/Month

2022-12-14



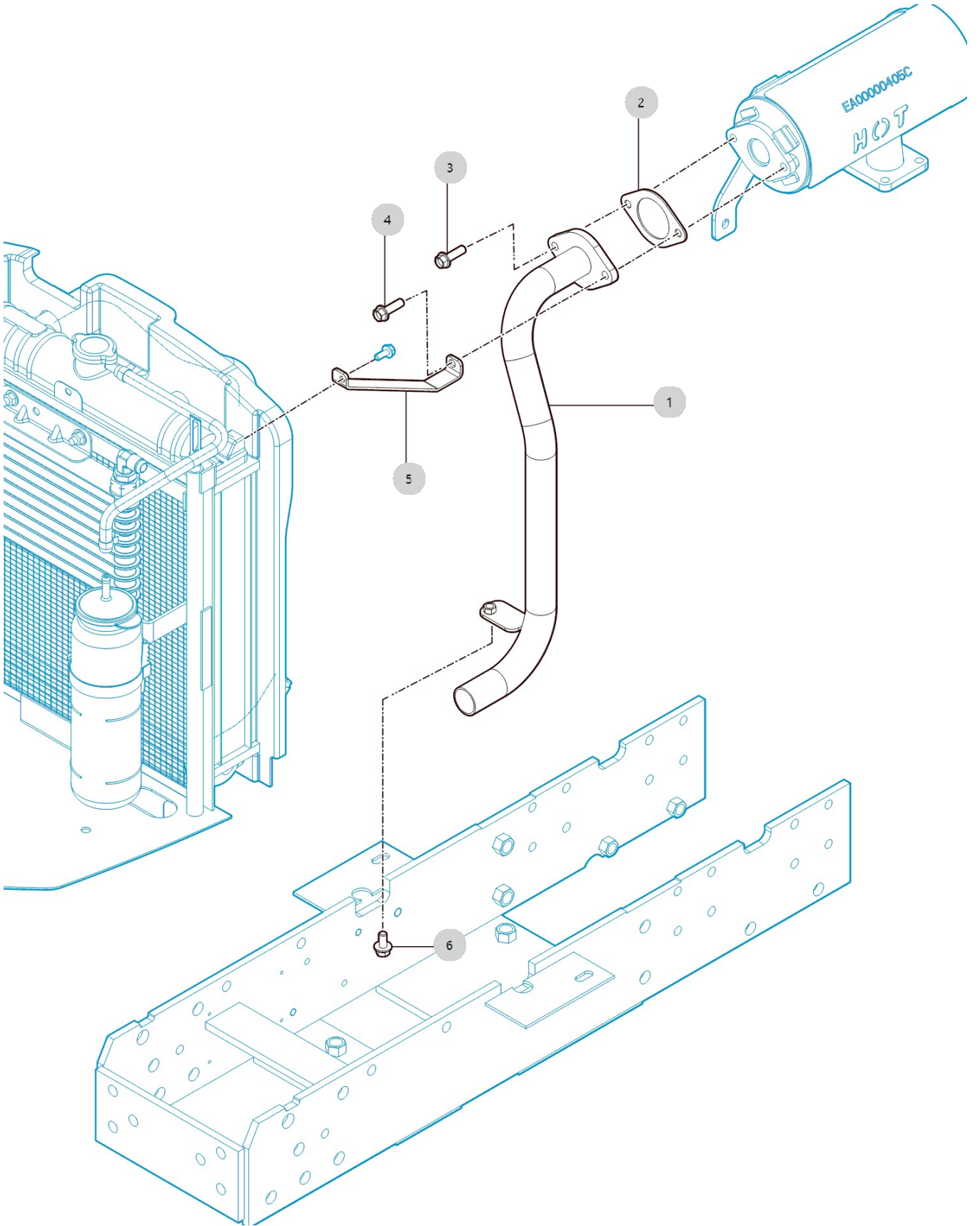
B03031

2610H US_FL
(AC02170)

MUFFLER

Year/Month

2022-12-14



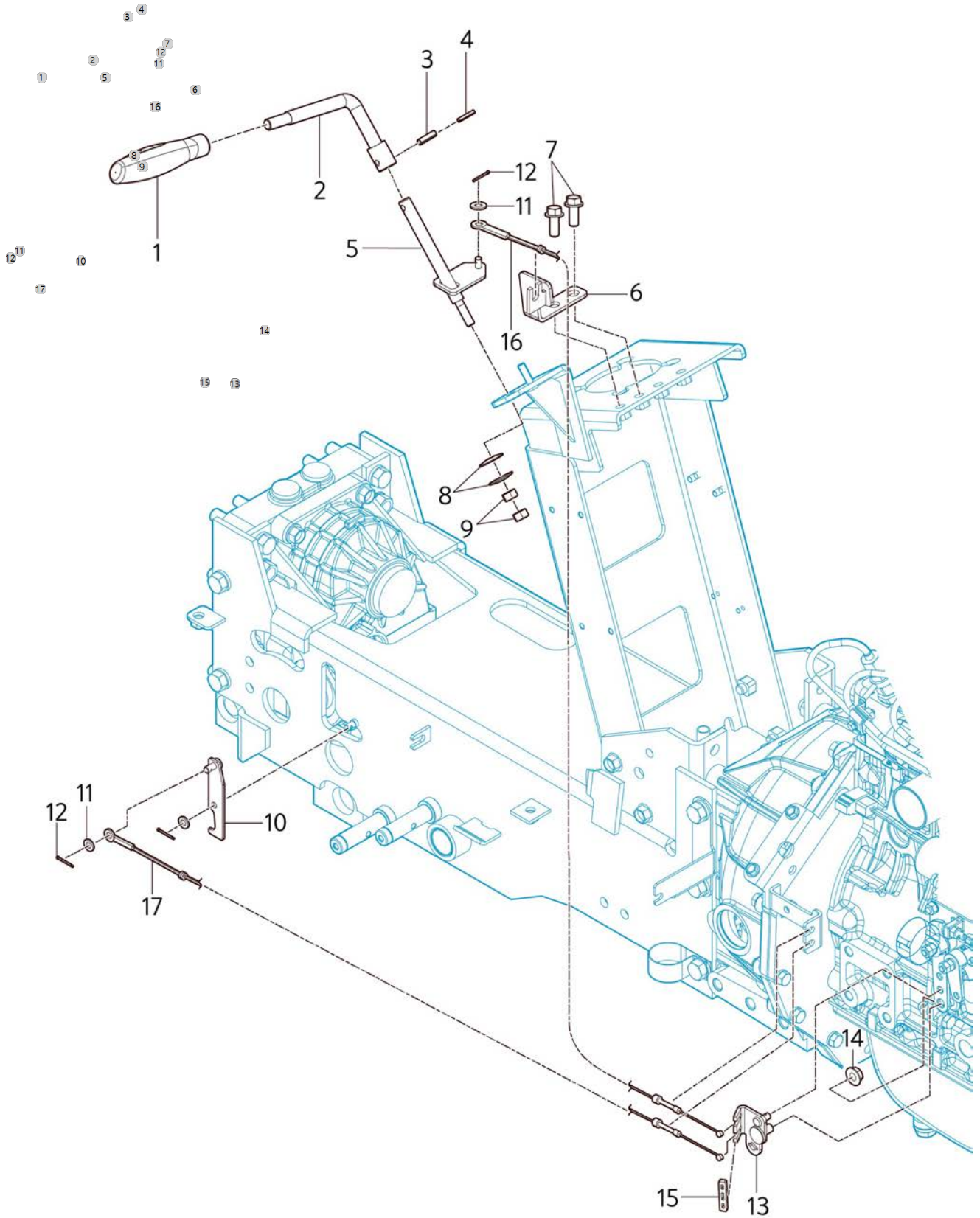
B05010H

2610H US_FL
(AC02170)

ACCELERATION SYSTEM

Year/Month

2022-12-14



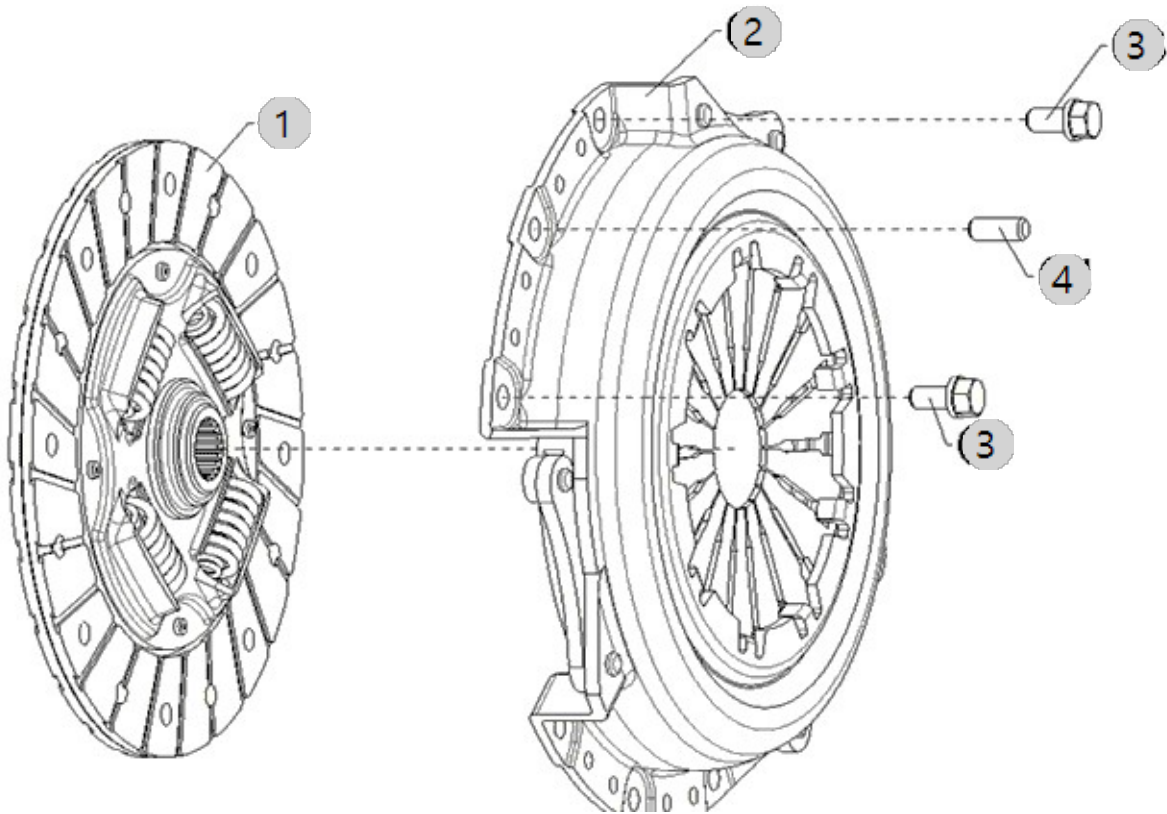
C01010

2610H US_FL
(AC02170)

CLUTCH DISC

Year/Month

2022-12-14



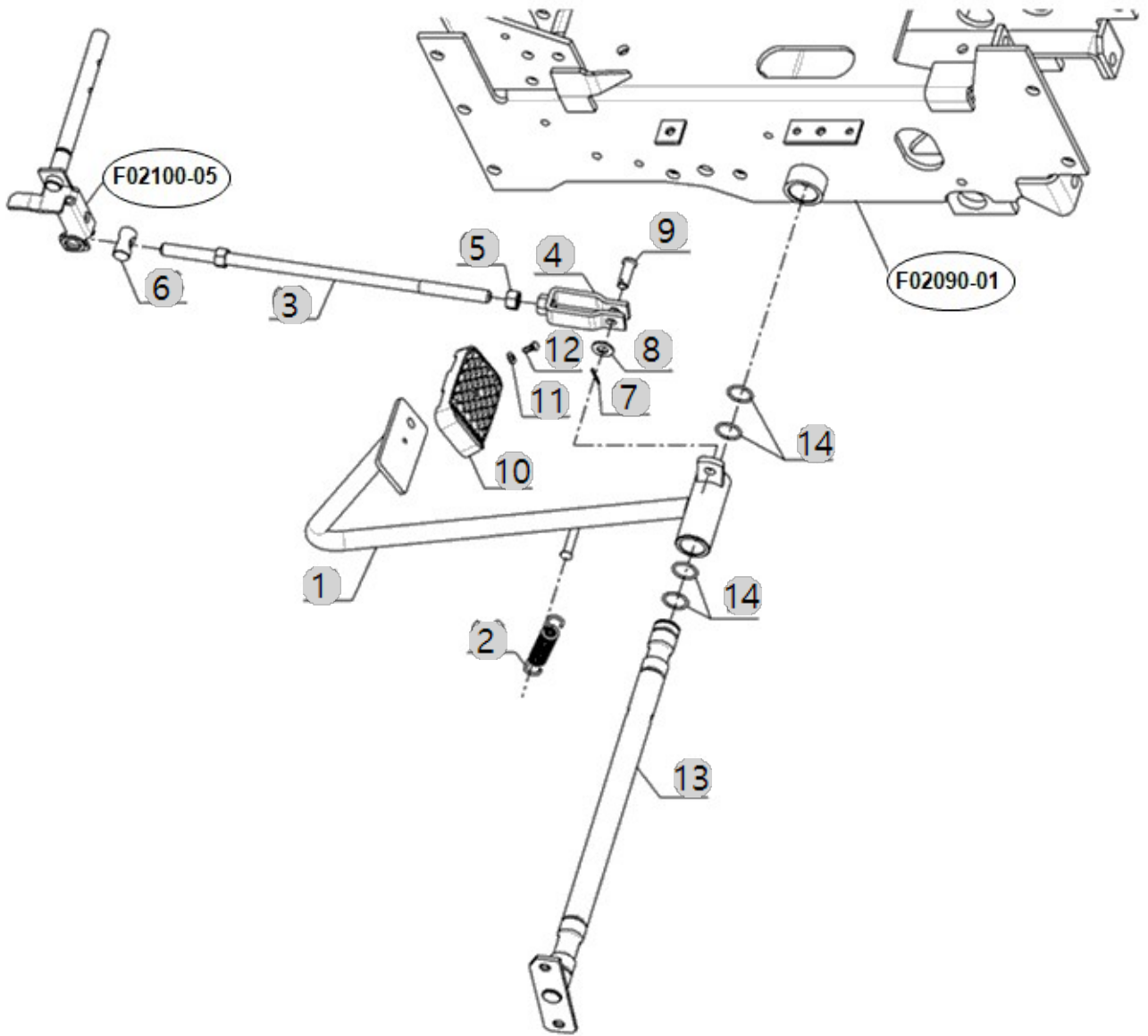
C01030

2610H US_FL
(AC02170)

CLUTCH PADAL

Year/Month

2022-12-14



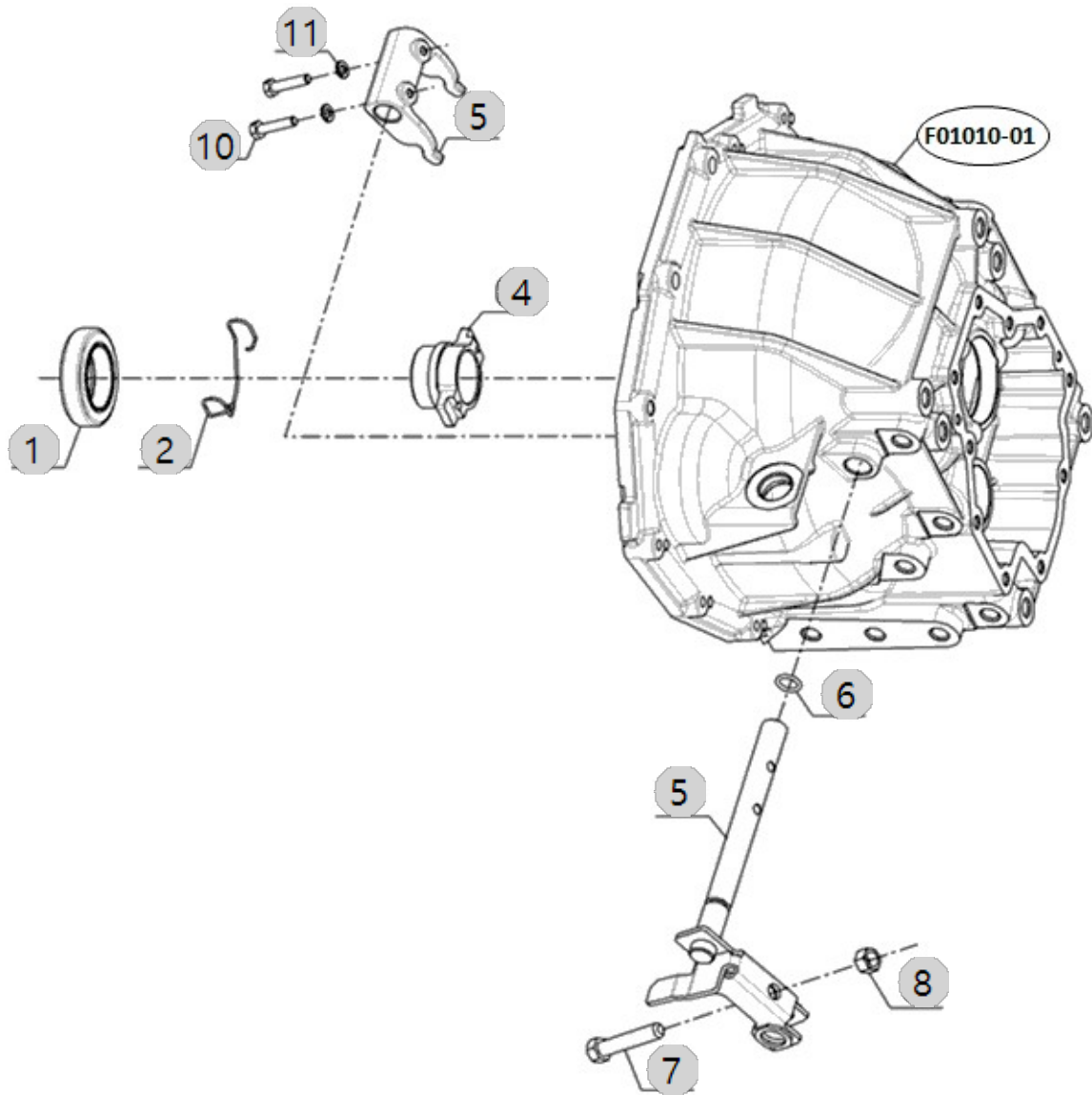
C01040

2610H US_FL
(AC02170)

CLUTCH ROD

Year/Month

2022-12-14



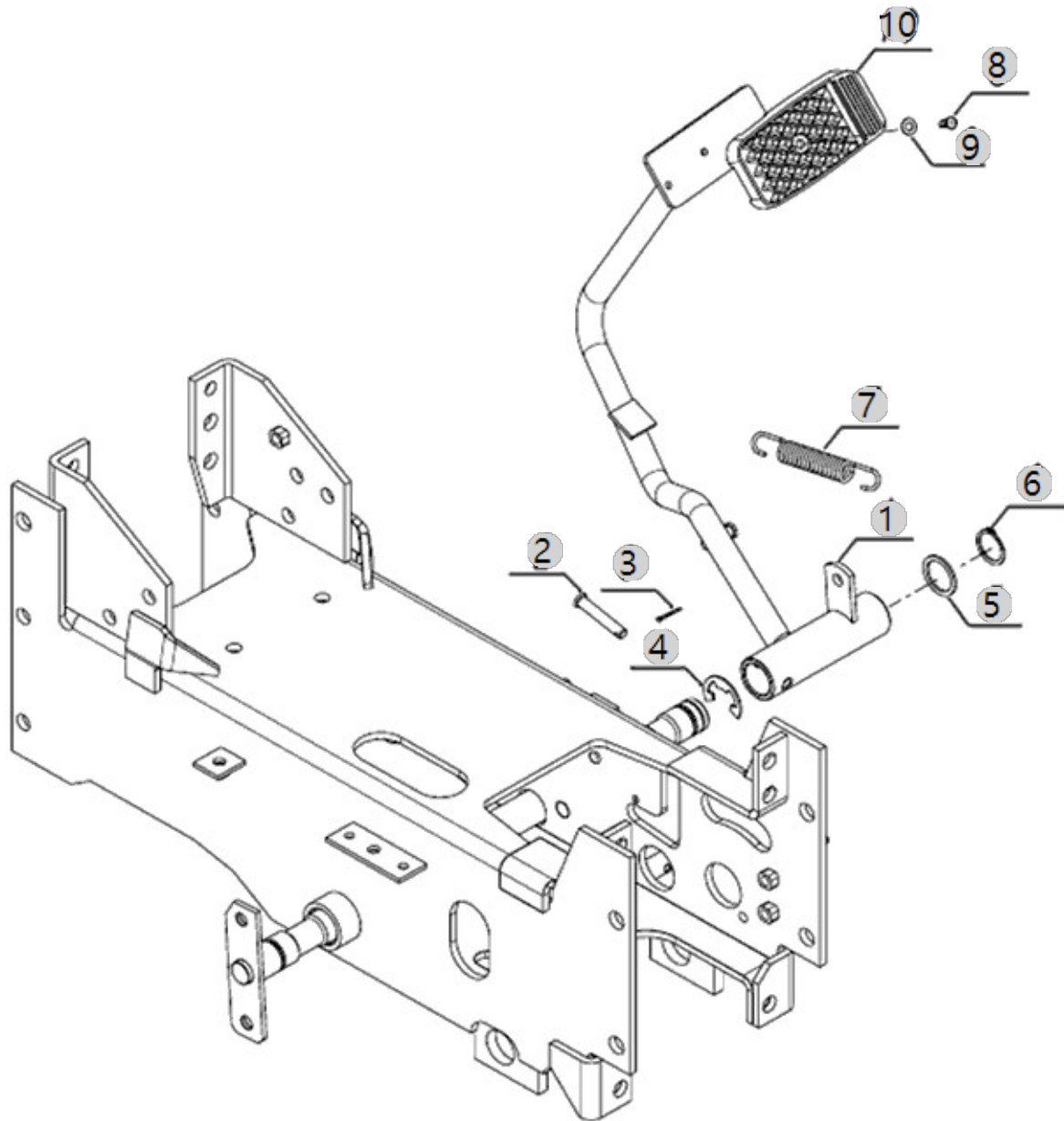
C02010

2610H US_FL
(AC02170)

BRAKE PEDAL

Year/Month

2022-12-14



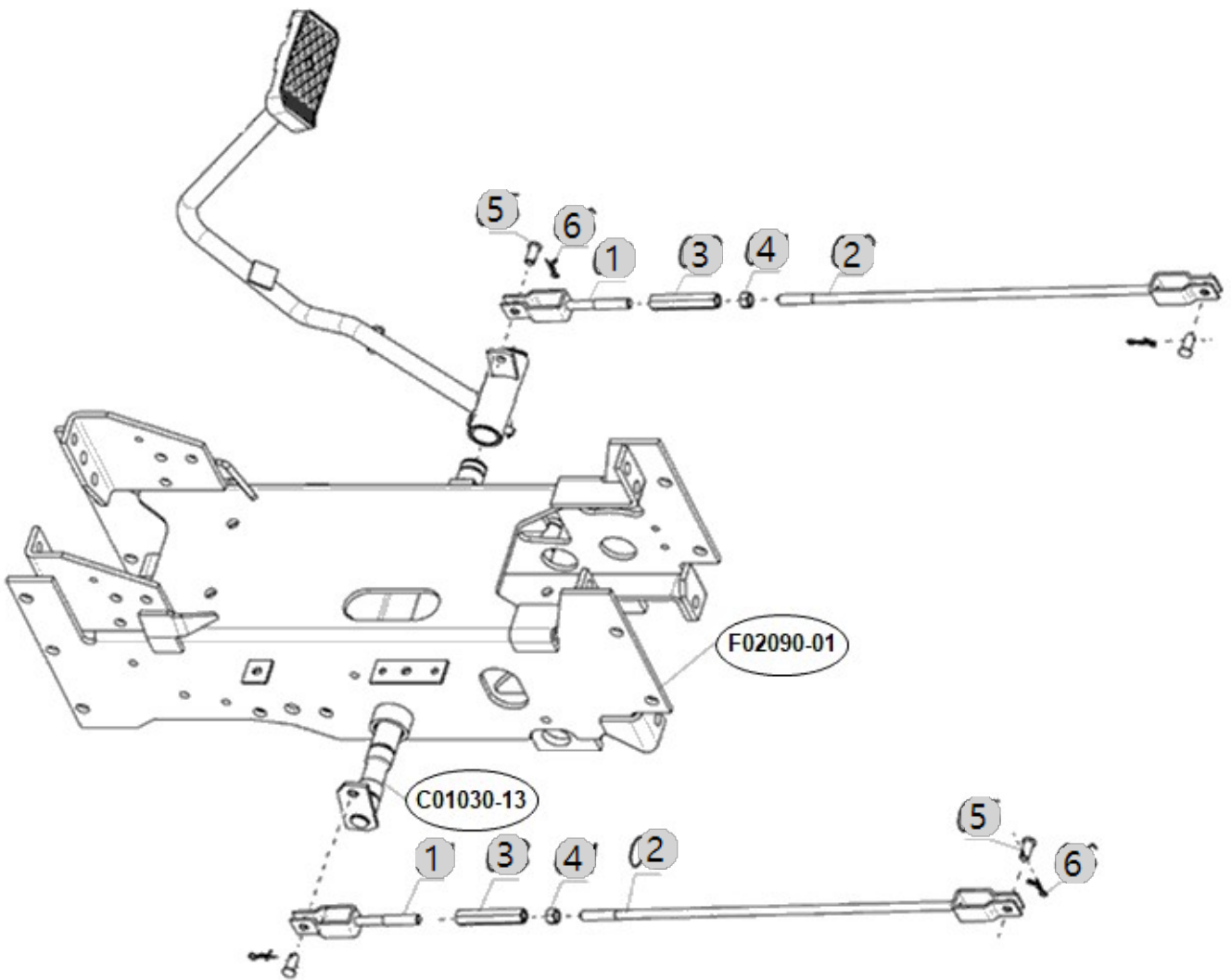
C02030

2610H US_FL
(AC02170)

BRAKE ROD

Year/Month

2022-12-14



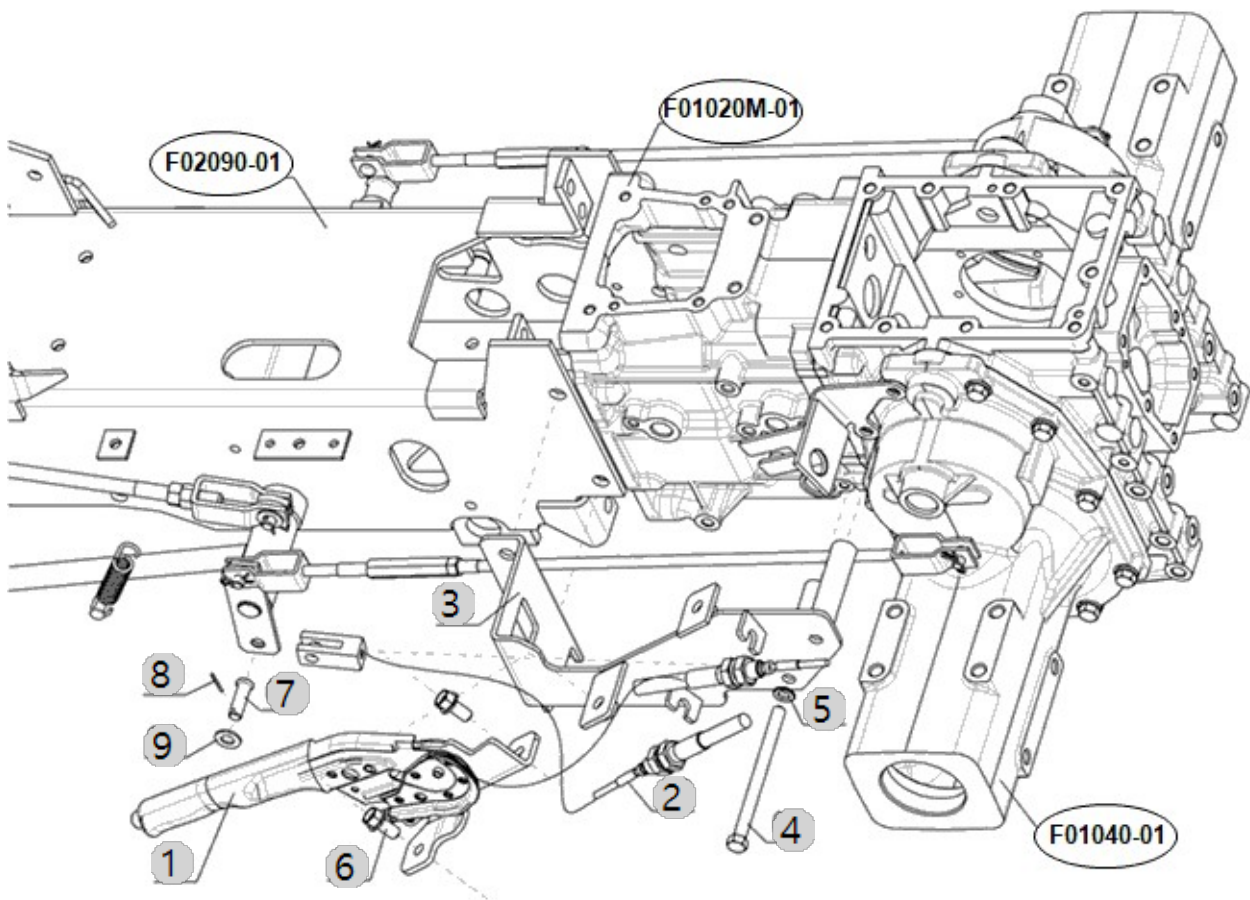
C02064

2610H US_FL
(AC02170)

SIDE BRAKE

Year/Month

2022-12-14



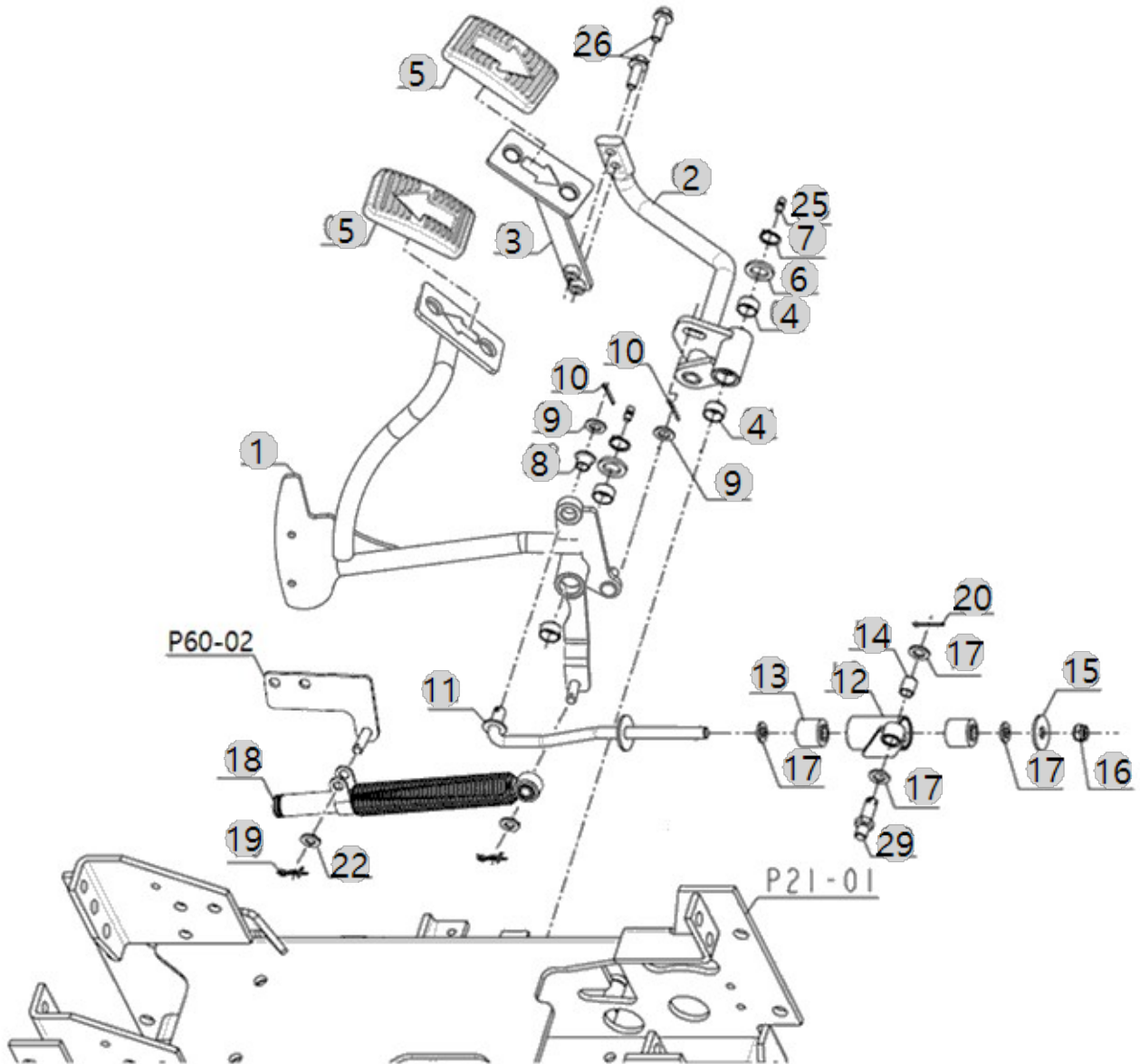
C03010

2610H US_FL
(AC02170)

HST PEDAL

Year/Month

2022-12-14



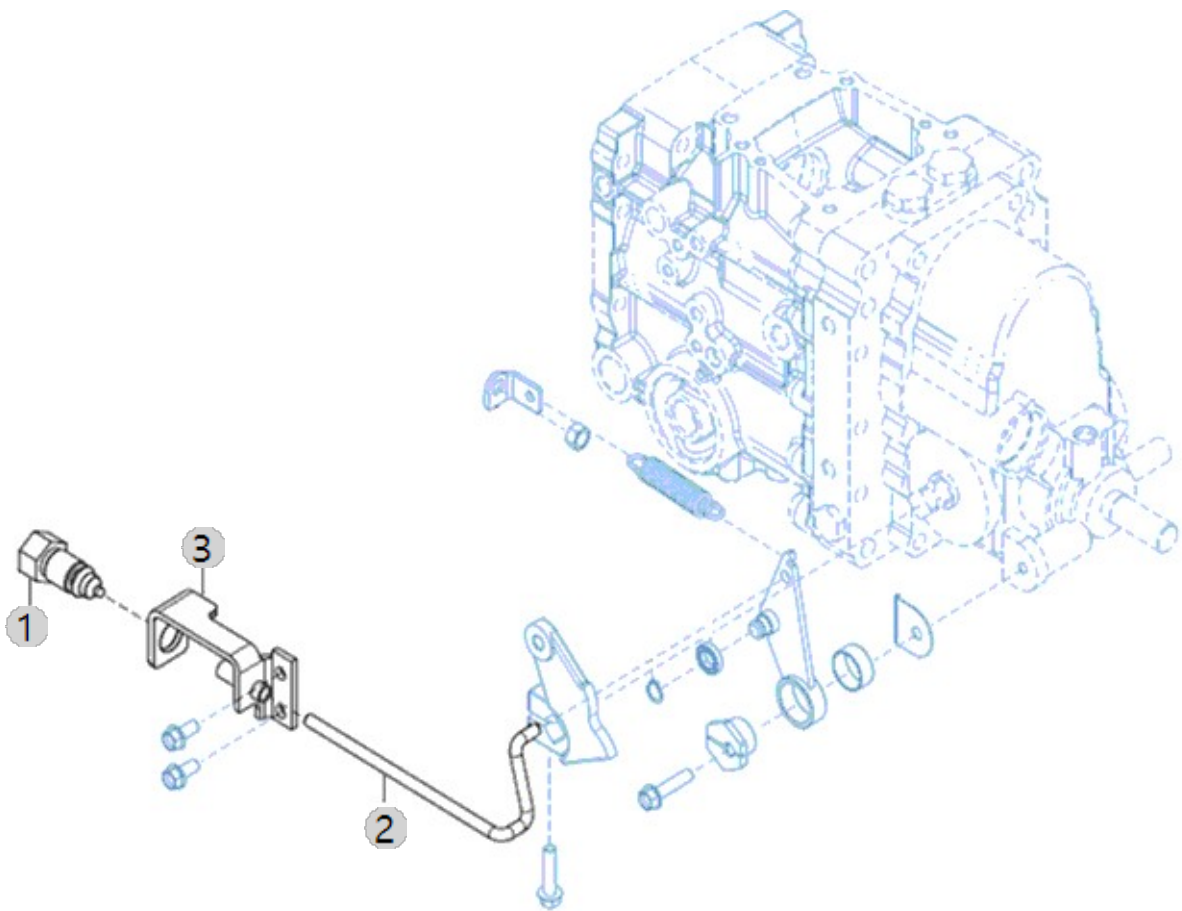
C03040

2610H US_FL
(AC02170)

NEUTRE HOLDER LINK

Year/Month

2022-12-14



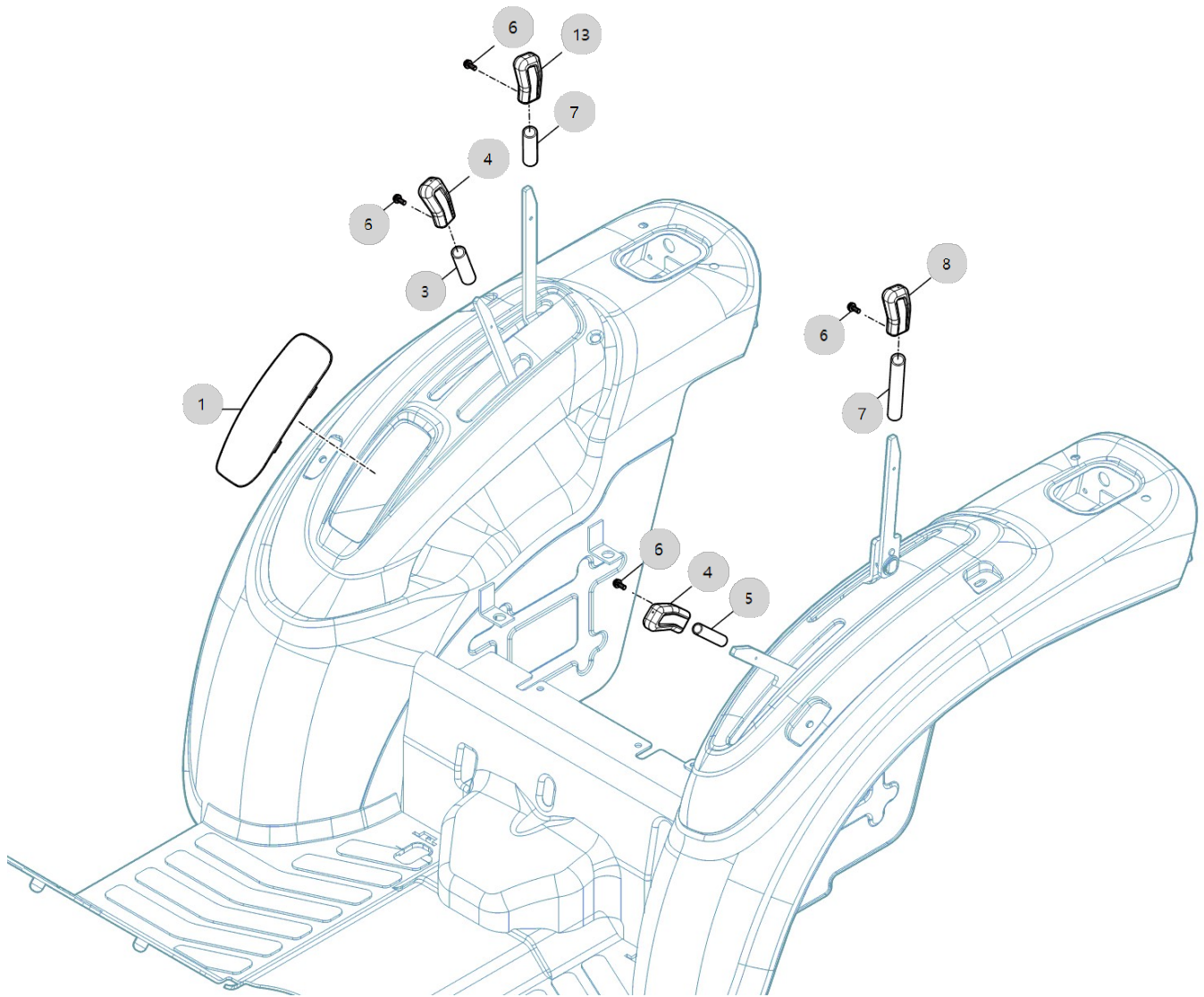
C04000H

2610H US_FL
(AC02170)

LEVER&PEDAL ASS'Y

Year/Month

2022-12-14



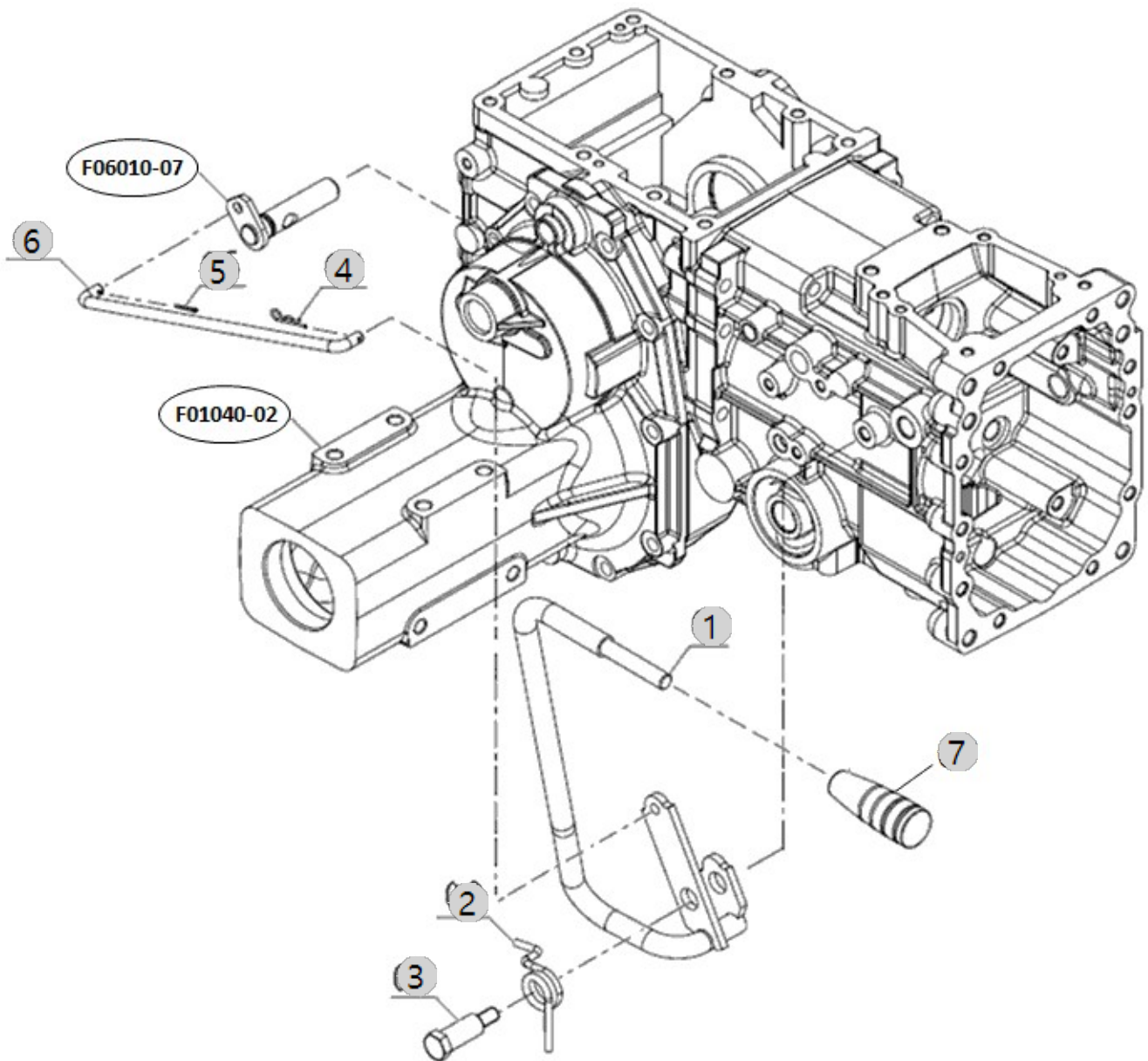
C04042H-B

2610H US_FL
(AC02170)

DIFF. LOCK LEVER

Year/Month

2022-12-14



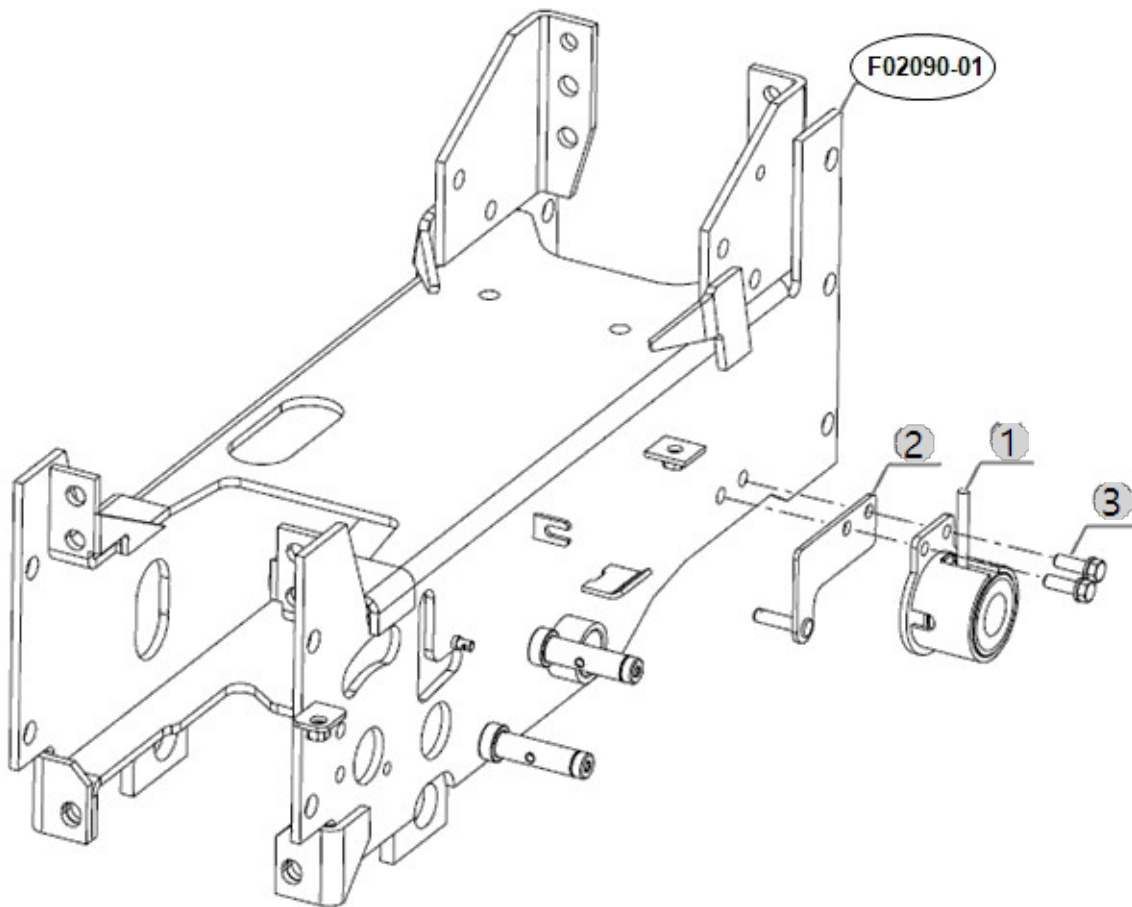
C04050H

2610H US_FL
(AC02170)

CRUISE LEVER

Year/Month

2022-12-14



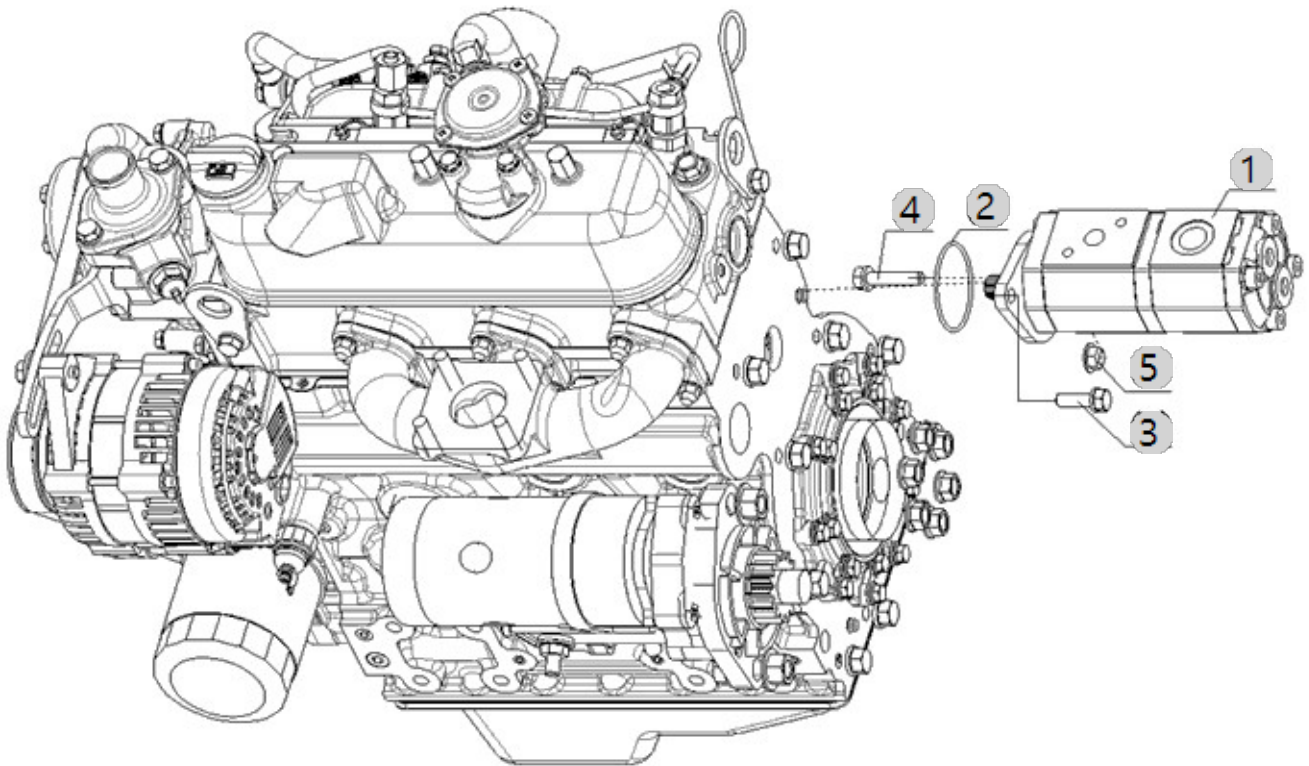
D01010

2610H US_FL
(AC02170)

HYDRAULIC PUMP

Year/Month

2022-12-14



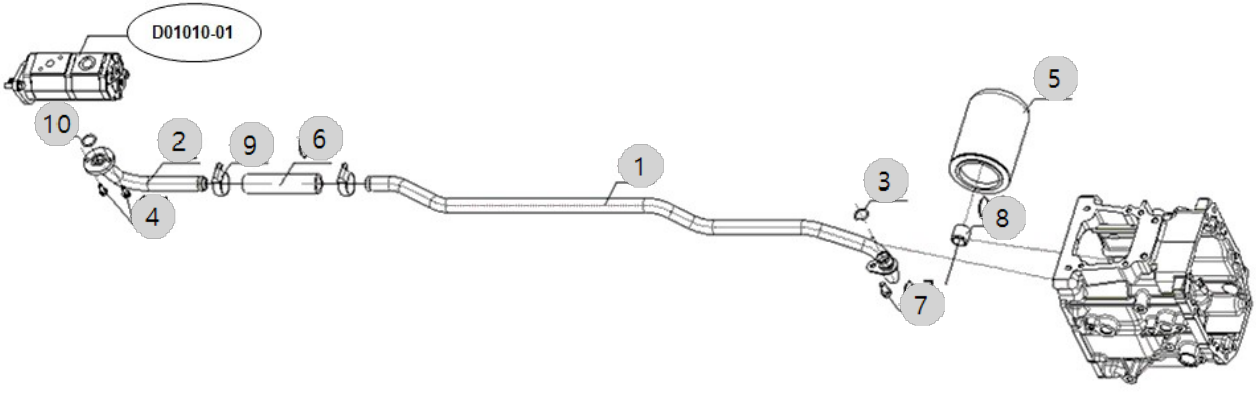
D01011

2610H US_FL
(AC02170)

HYDRAULIC OIL LINE

Year/Month

2022-12-14



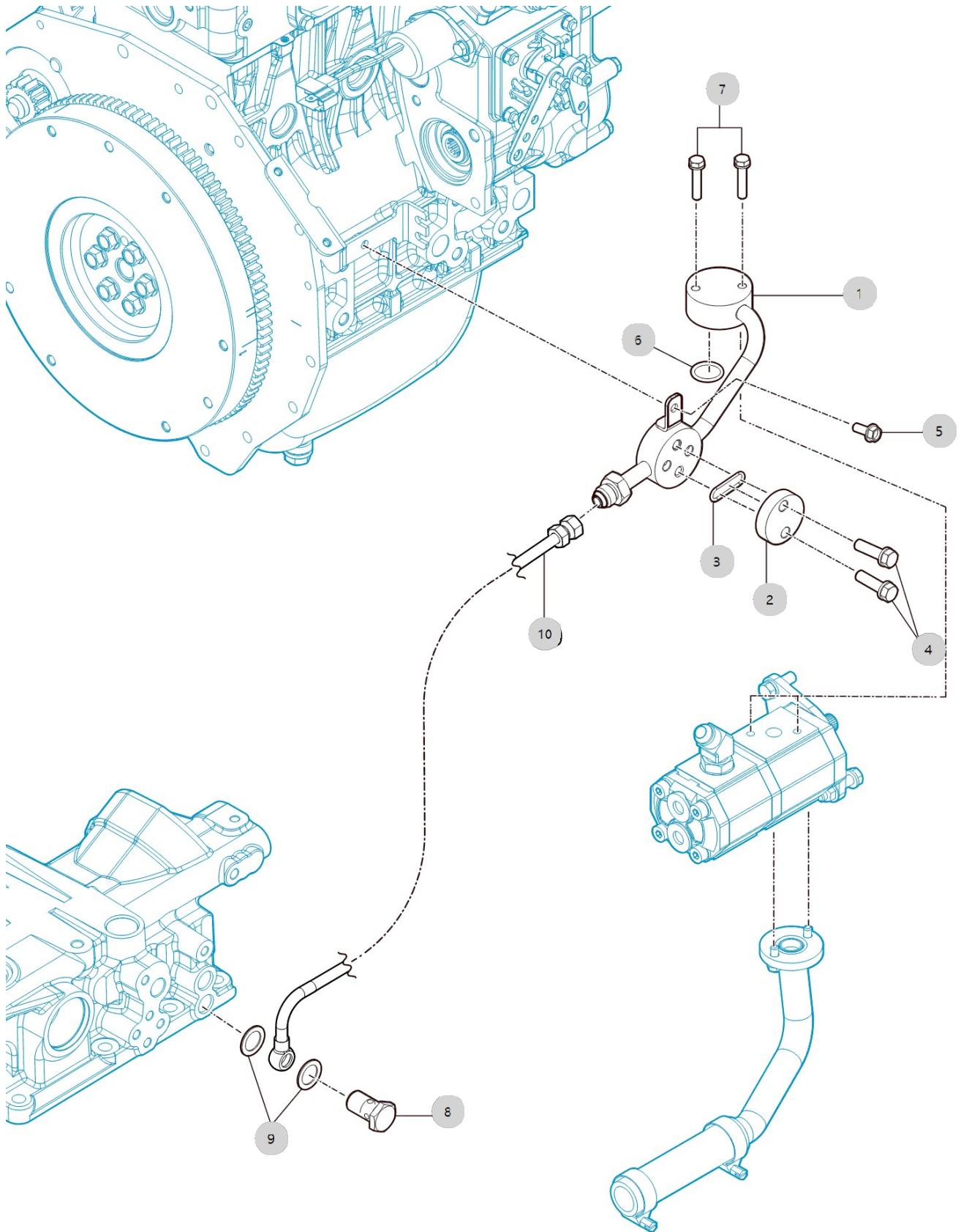
D01012

2610H US_FL
(AC02170)

HYDRAULIC OIL LINE/DELIVERY

Year/Month

2022-12-14



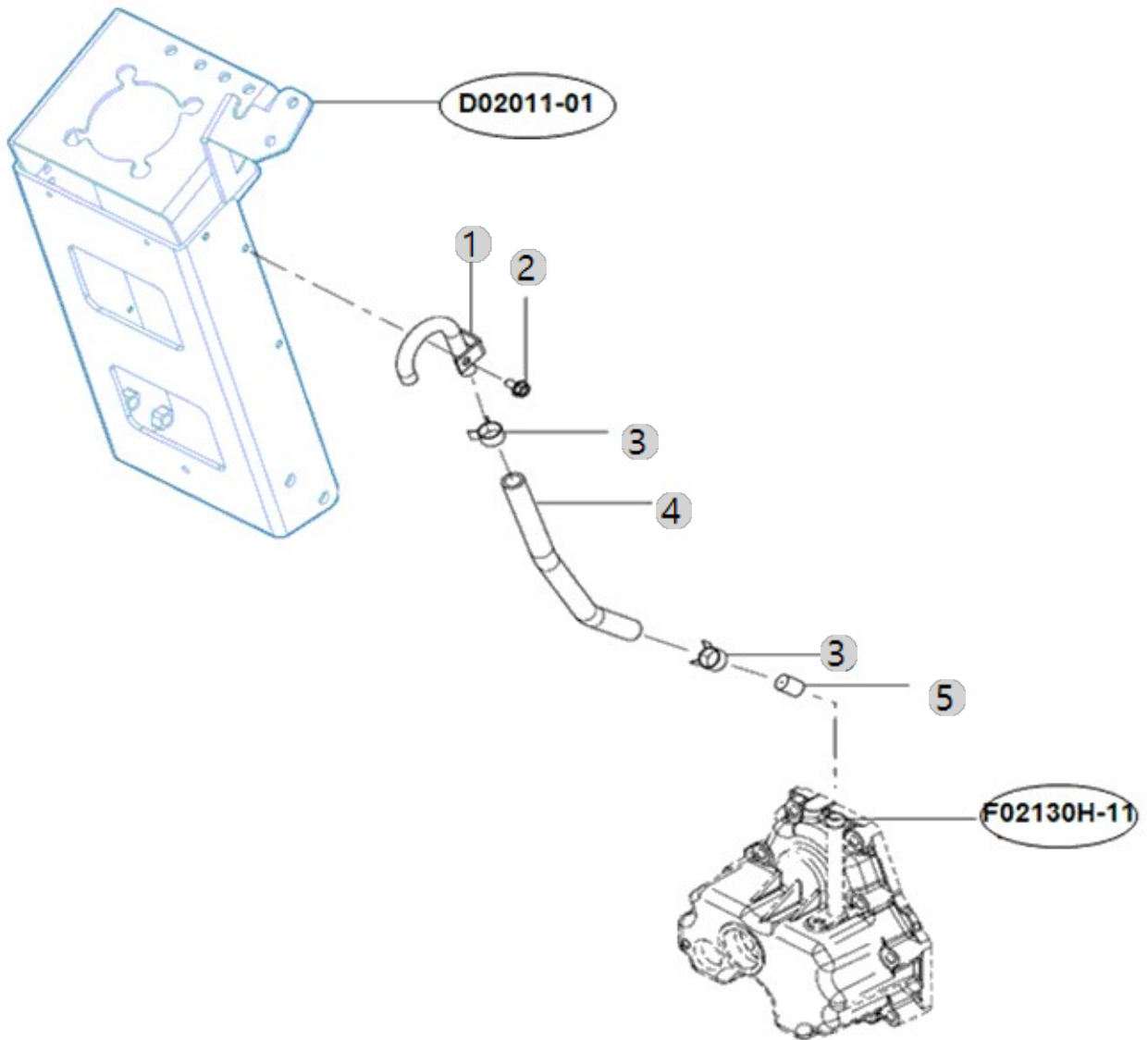
D01013H

2610H US_FL
(AC02170)

HYDRAULIC OIL LINE

Year/Month

2022-12-14



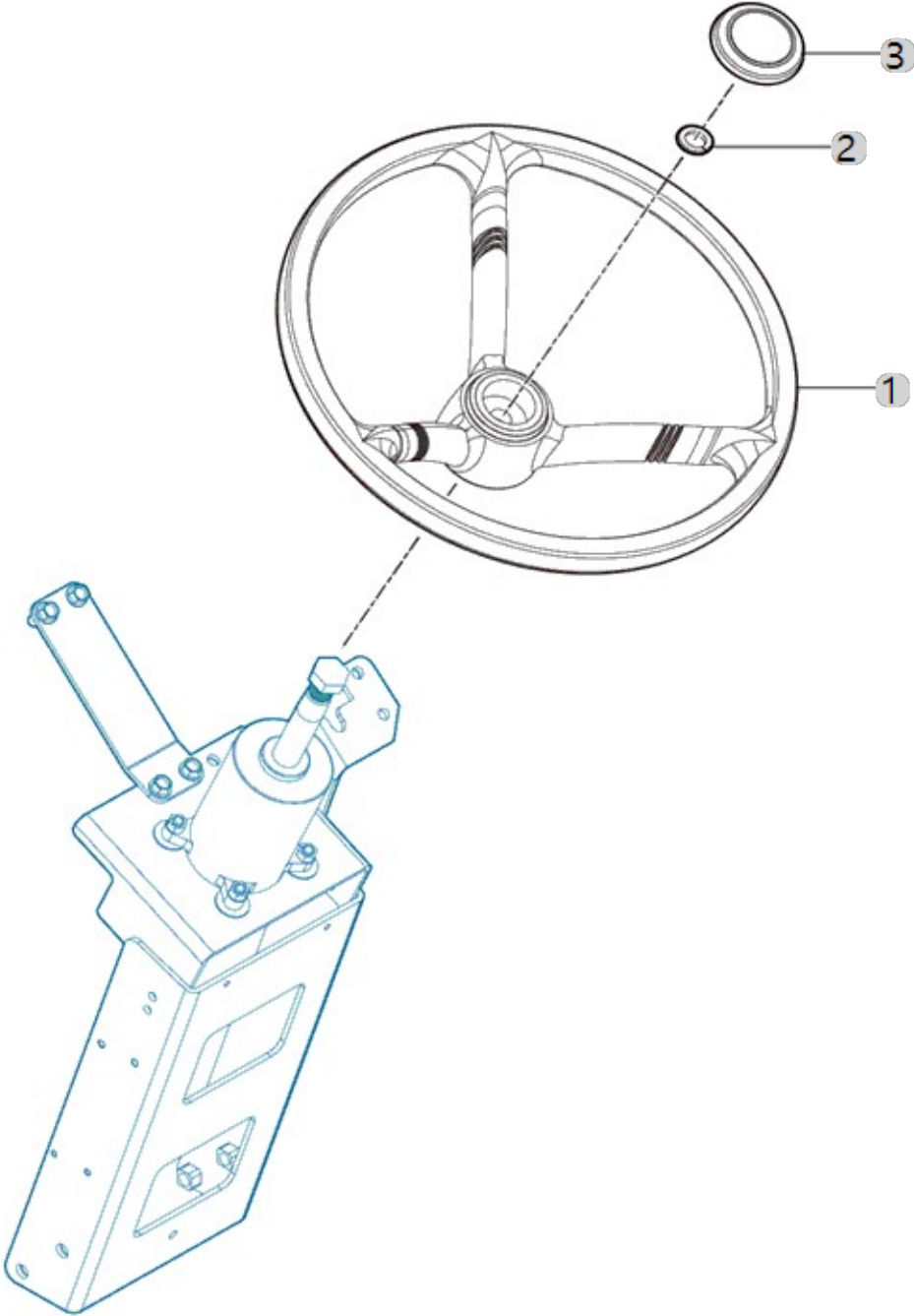
D02010

2610H US_FL
(AC02170)

STEERING WHEEL

Year/Month

2022-12-14



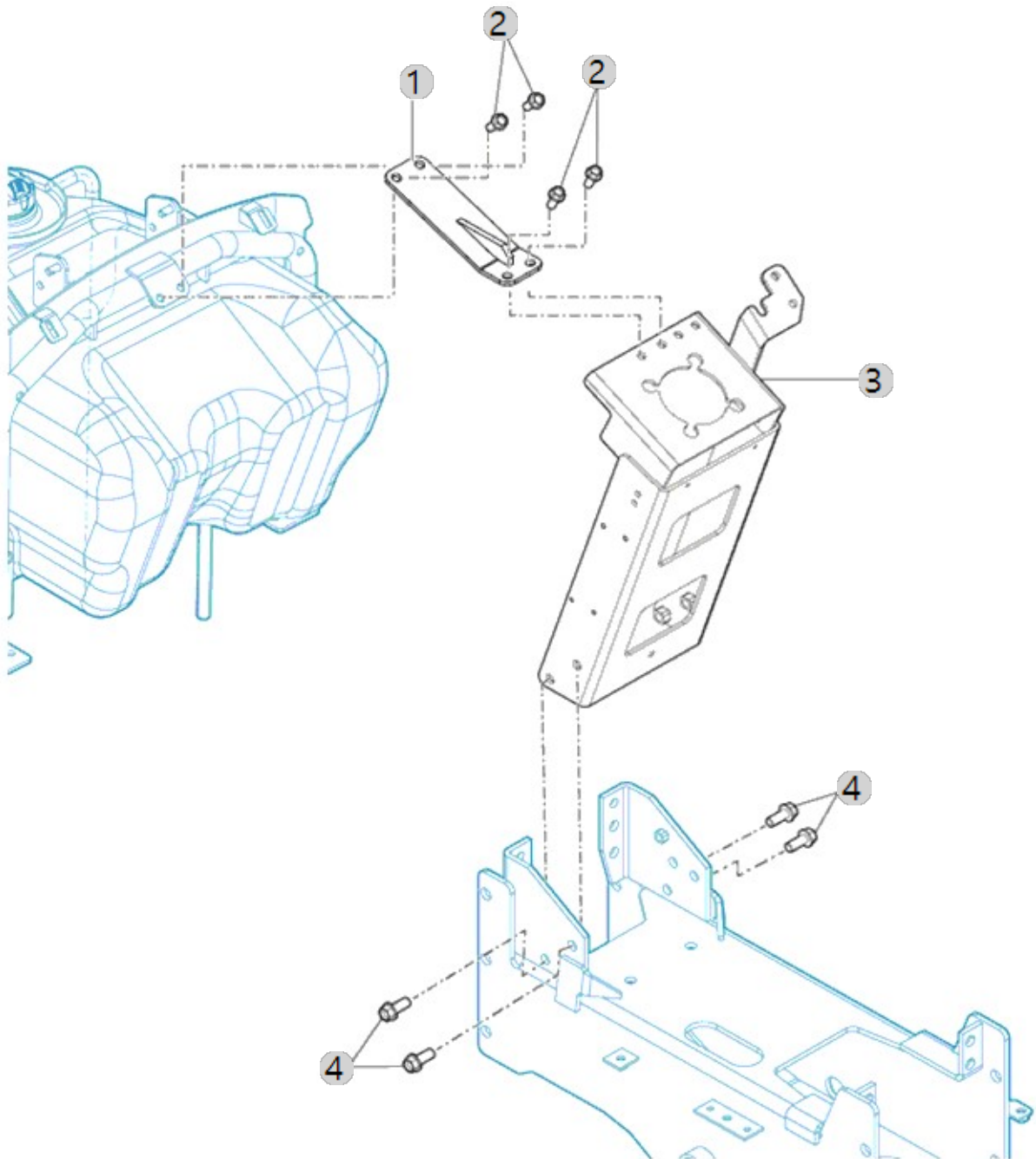
D02011

2610H US_FL
(AC02170)

STEERING MOUNTING

Year/Month

2022-12-14



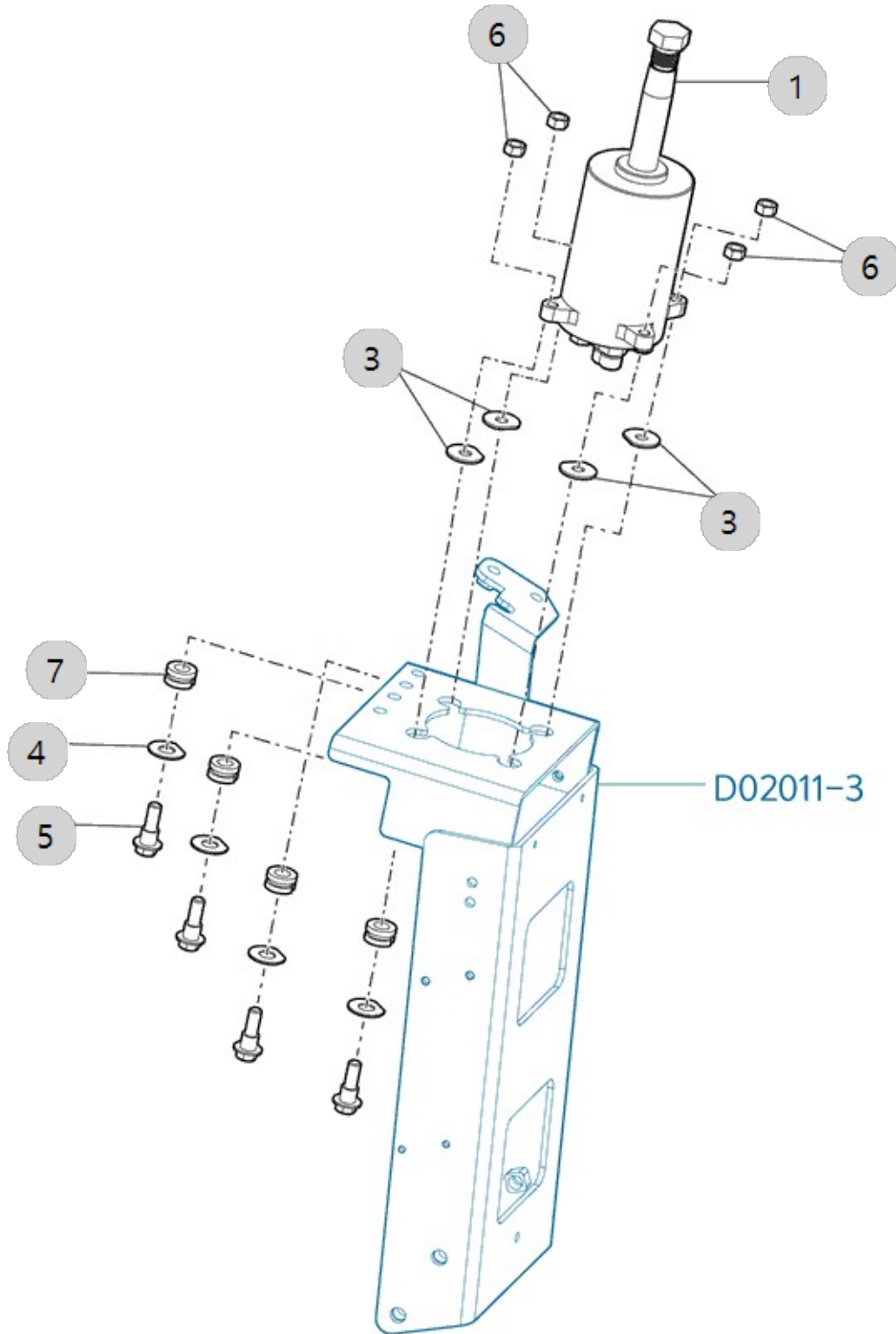
D02020

2610H US_FL
(AC02170)

STEERING VALVE

Year/Month

2022-12-14



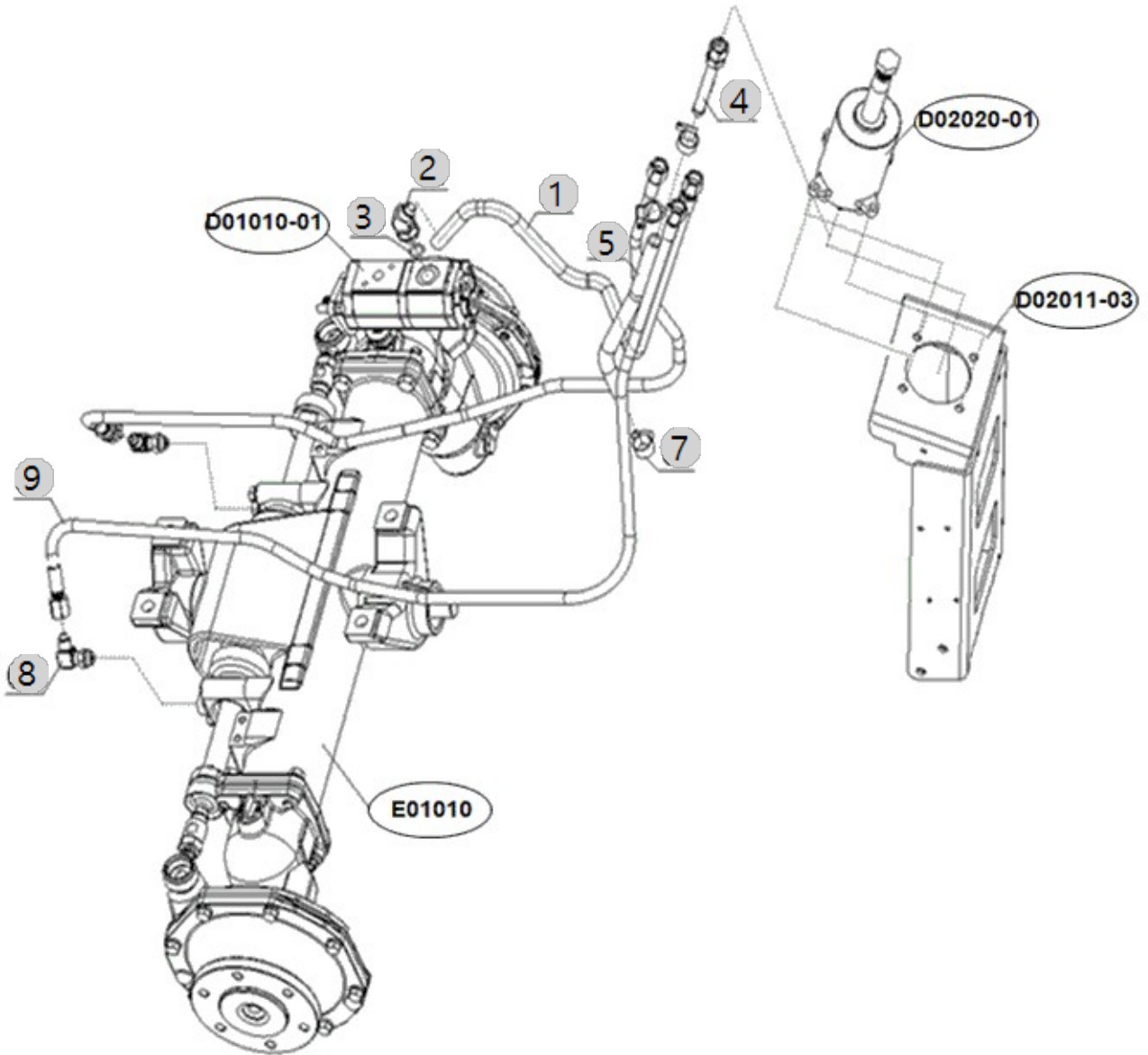
D02030

2610H US_FL
(AC02170)

PST HOSE

Year/Month

2022-12-14



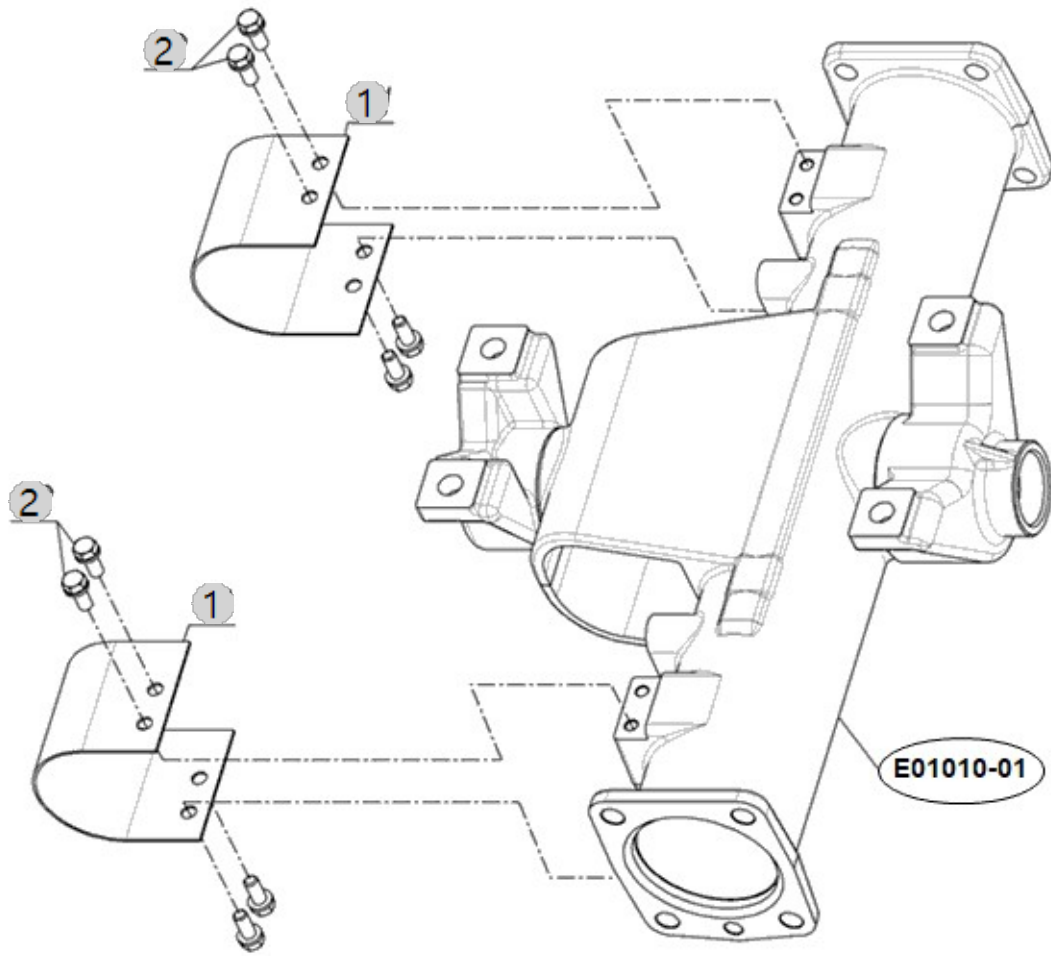
D02041

2610H US_FL
(AC02170)

PST COVER

Year/Month

2022-12-14



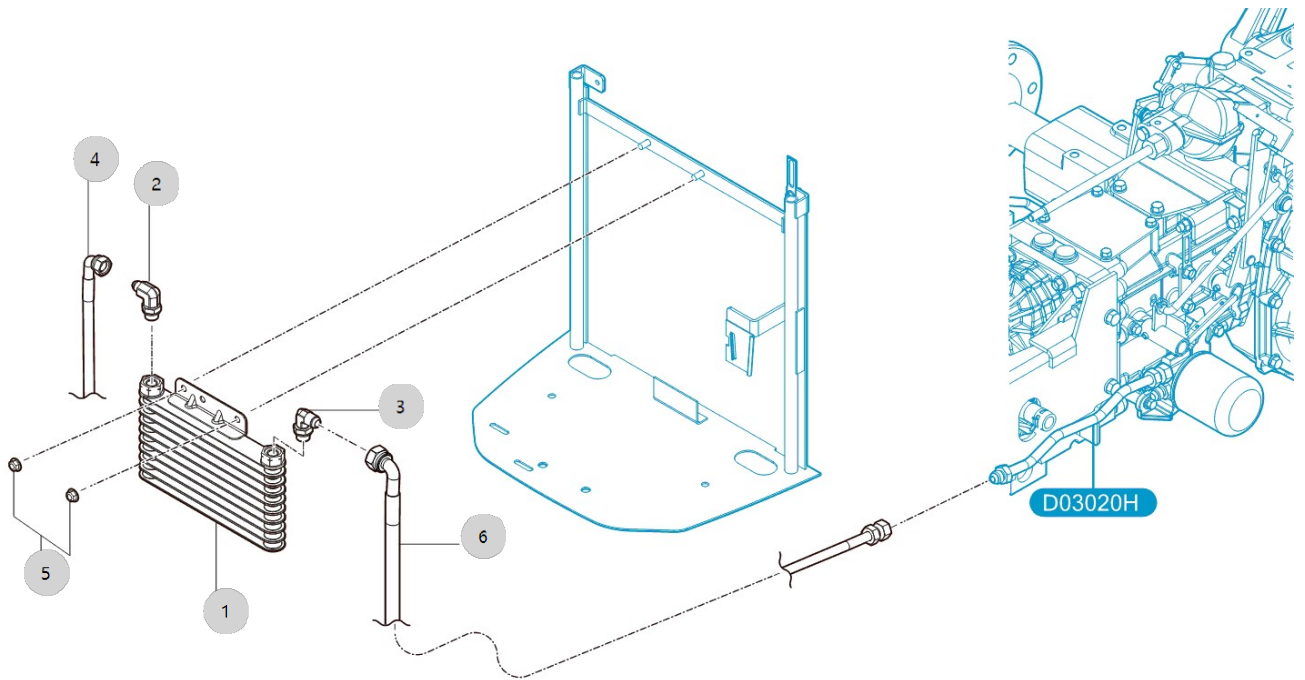
D03010H

2610H US_FL
(AC02170)

OIL COOLER

Year/Month

2022-12-14



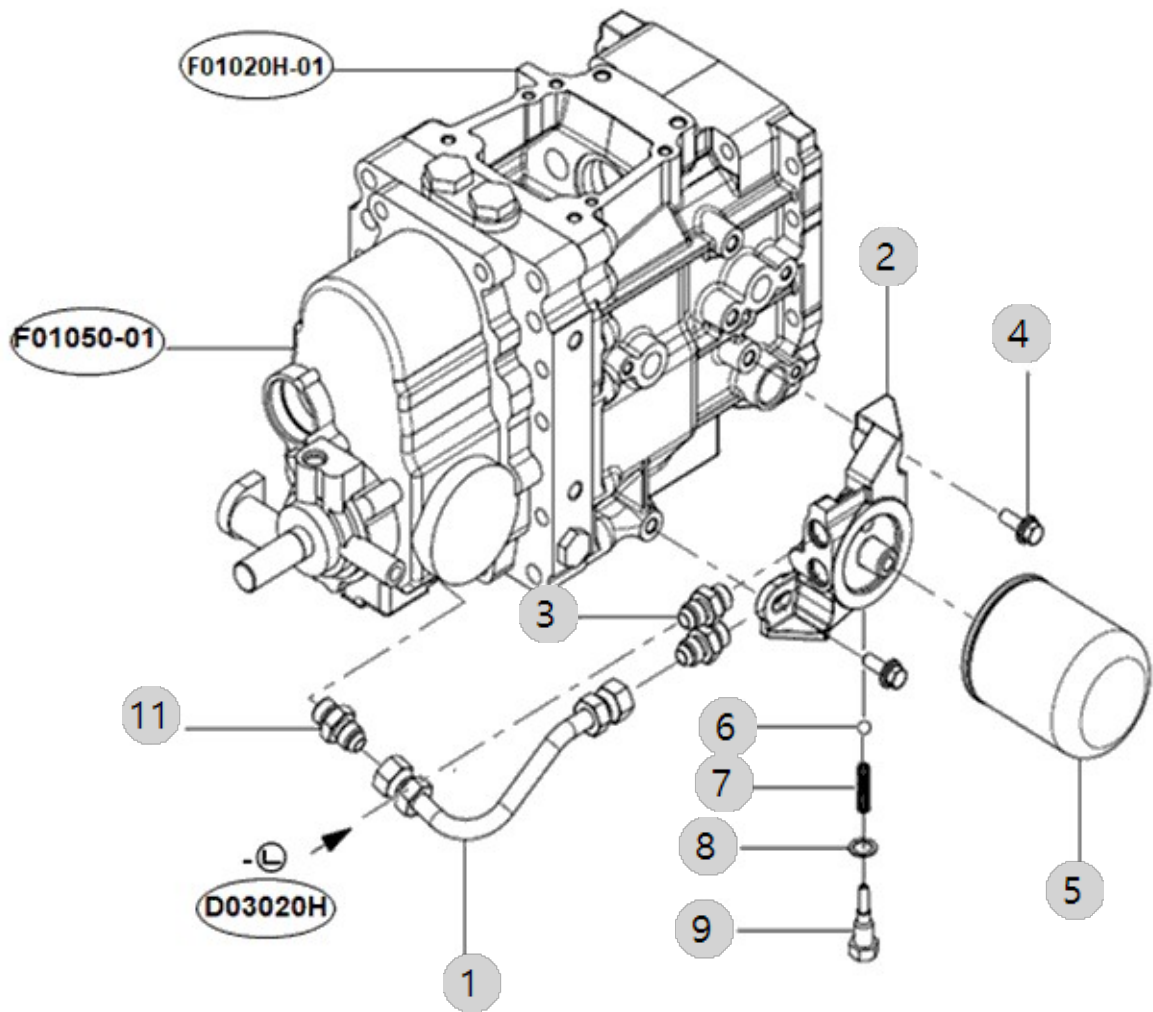
D03020H

2610H US_FL
(AC02170)

HYDRAULIC OIL LINE, HST

Year/Month

2022-12-14



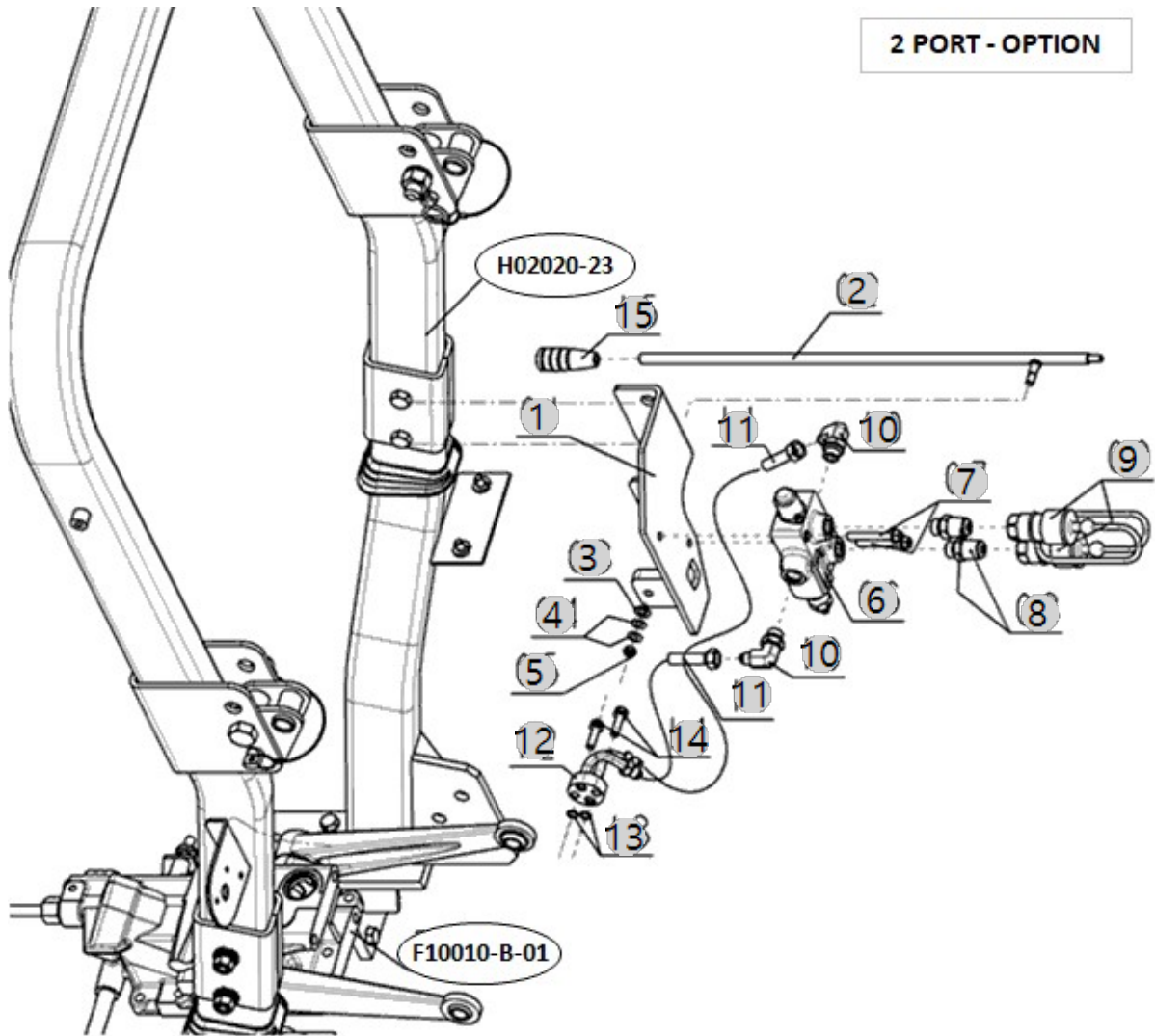
D03060

2610H US_FL
(AC02170)

REAR SCV

Year/Month

2022-12-14



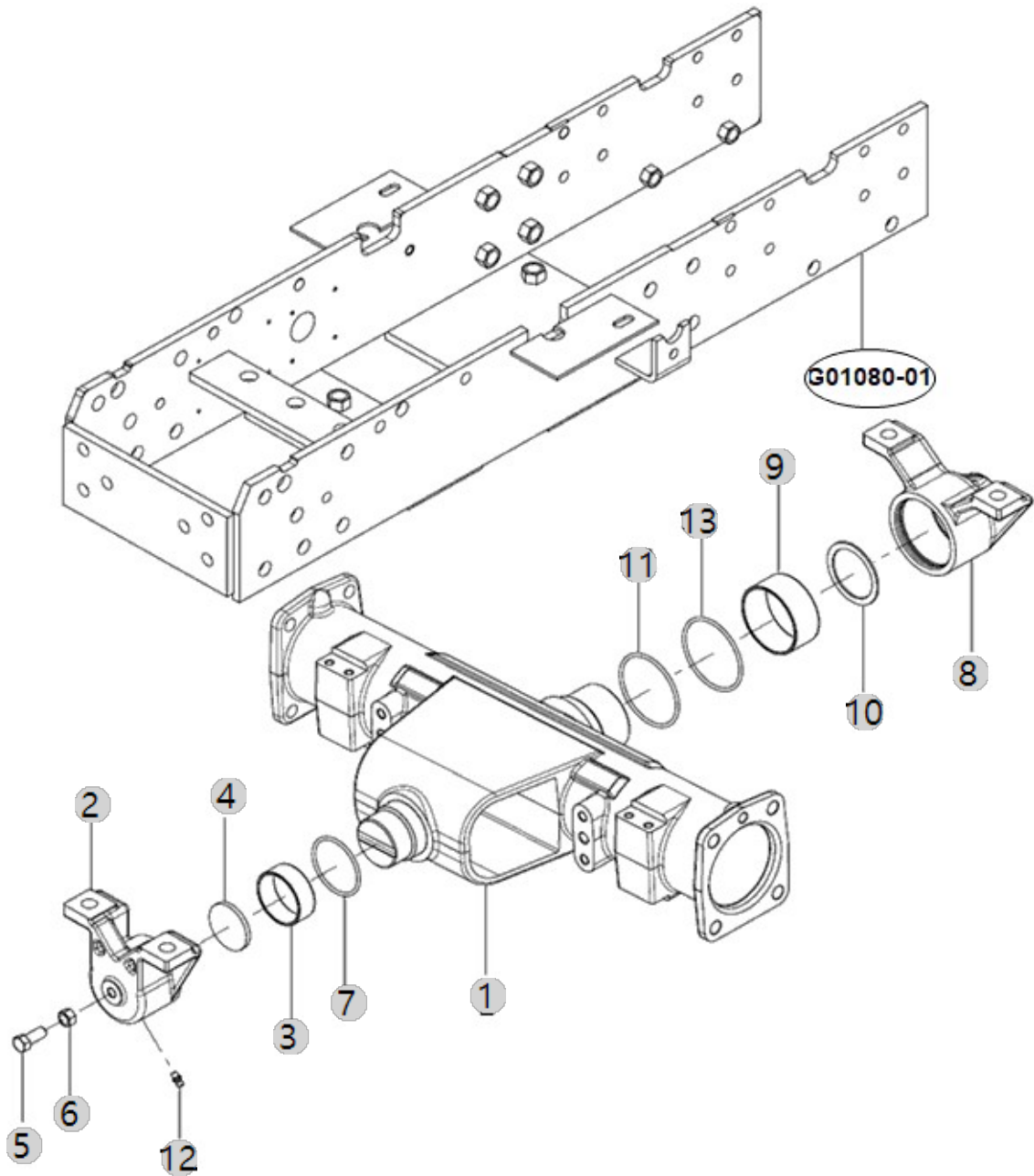
E01010

2610H US_FL
(AC02170)

FRONT AXLE CASE

Year/Month

2022-12-14



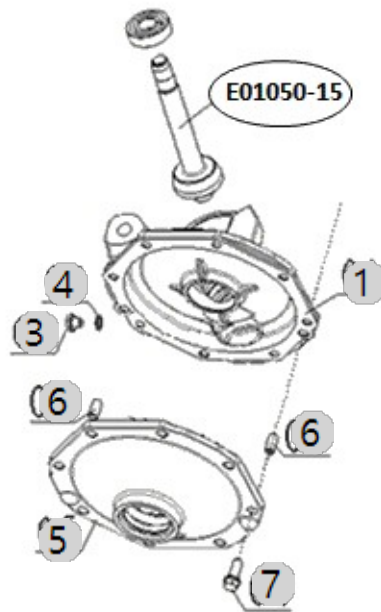
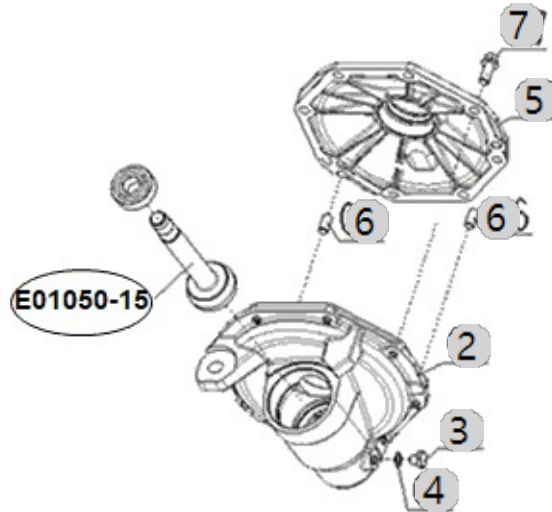
E01030

2610H US_FL
(AC02170)

GEAR CASE, FRONT AXLE

Year/Month

2022-12-14



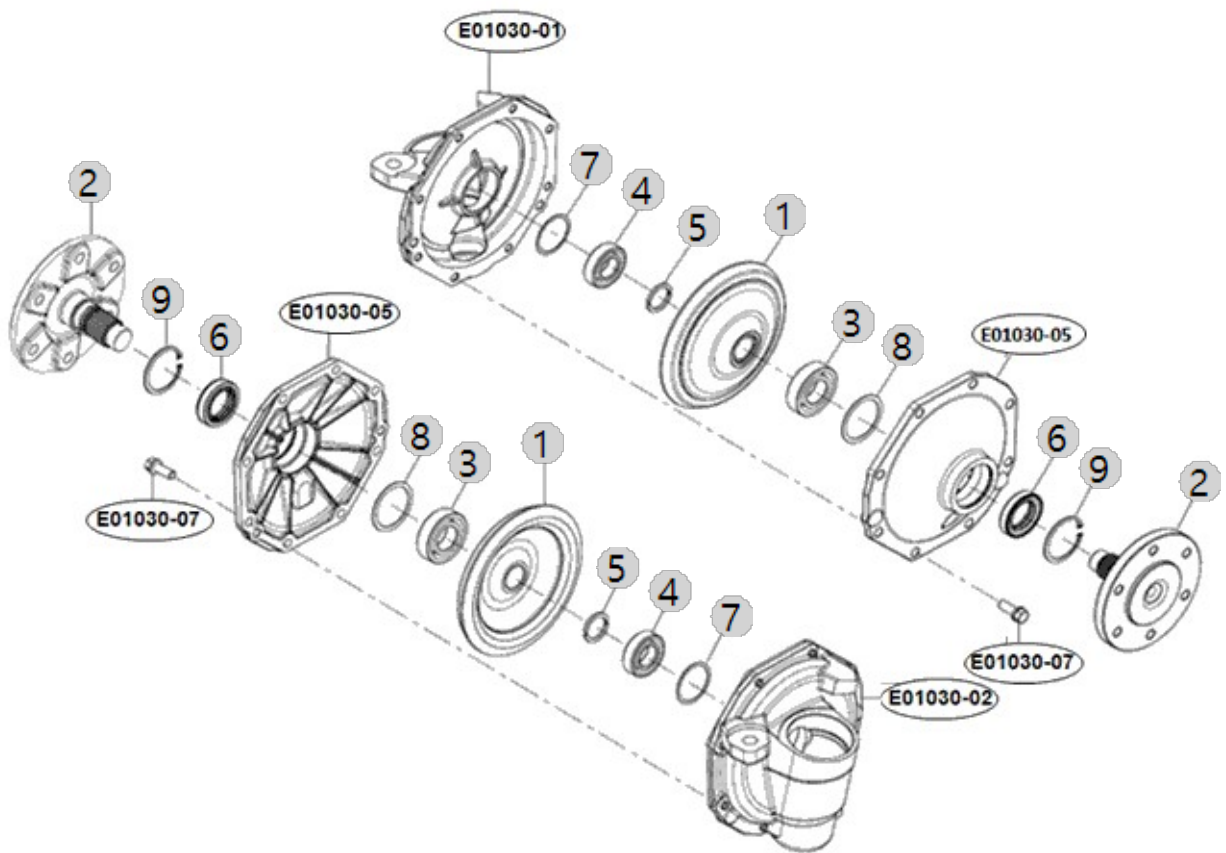
E01030-1

2610H US_FL
(AC02170)

GEAR CASE, FRONT AXLE

Year/Month

2022-12-14



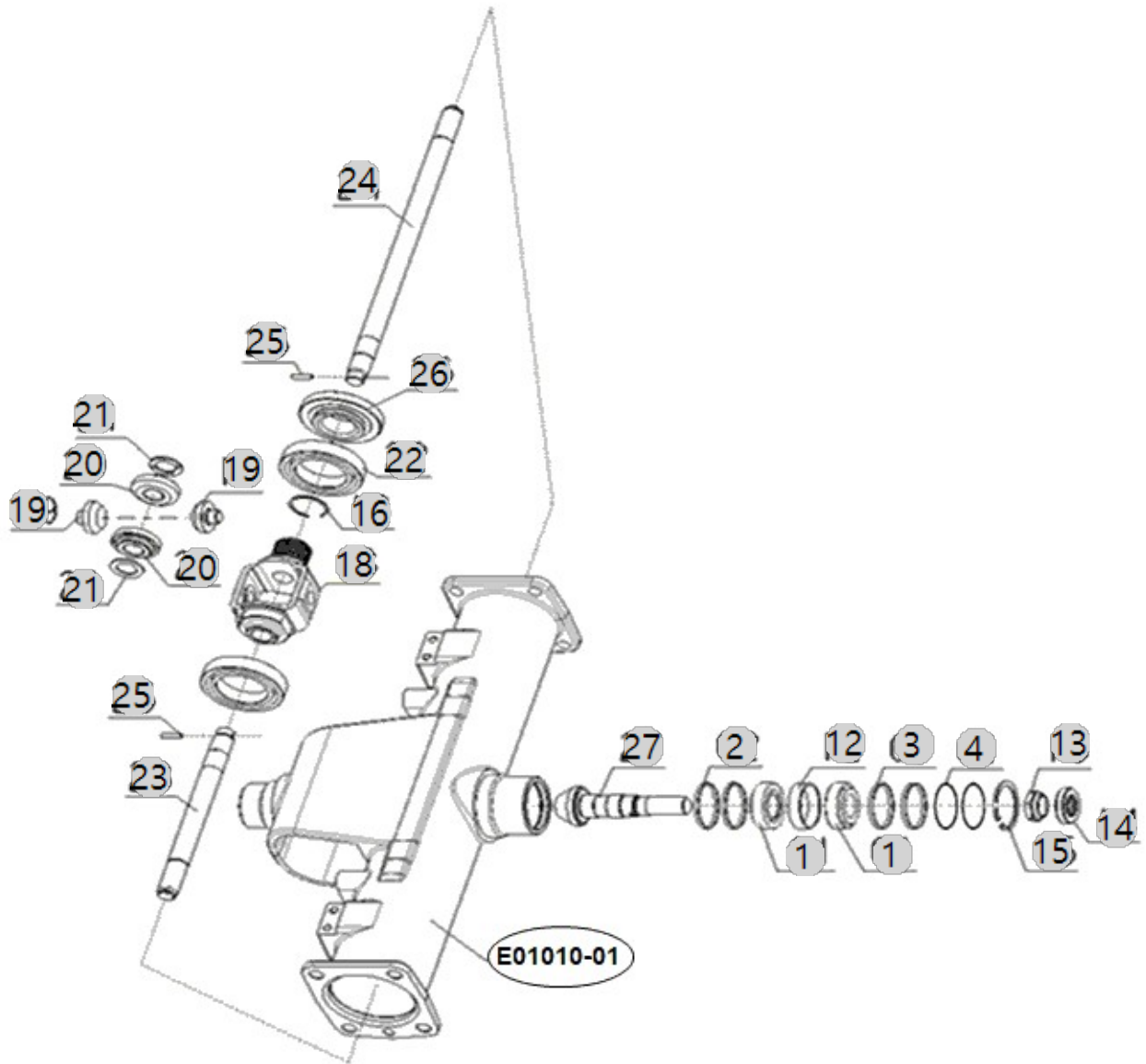
E01040

2610H US_FL
(AC02170)

FRONT DIFFERENTIAL

Year/Month

2022-12-14



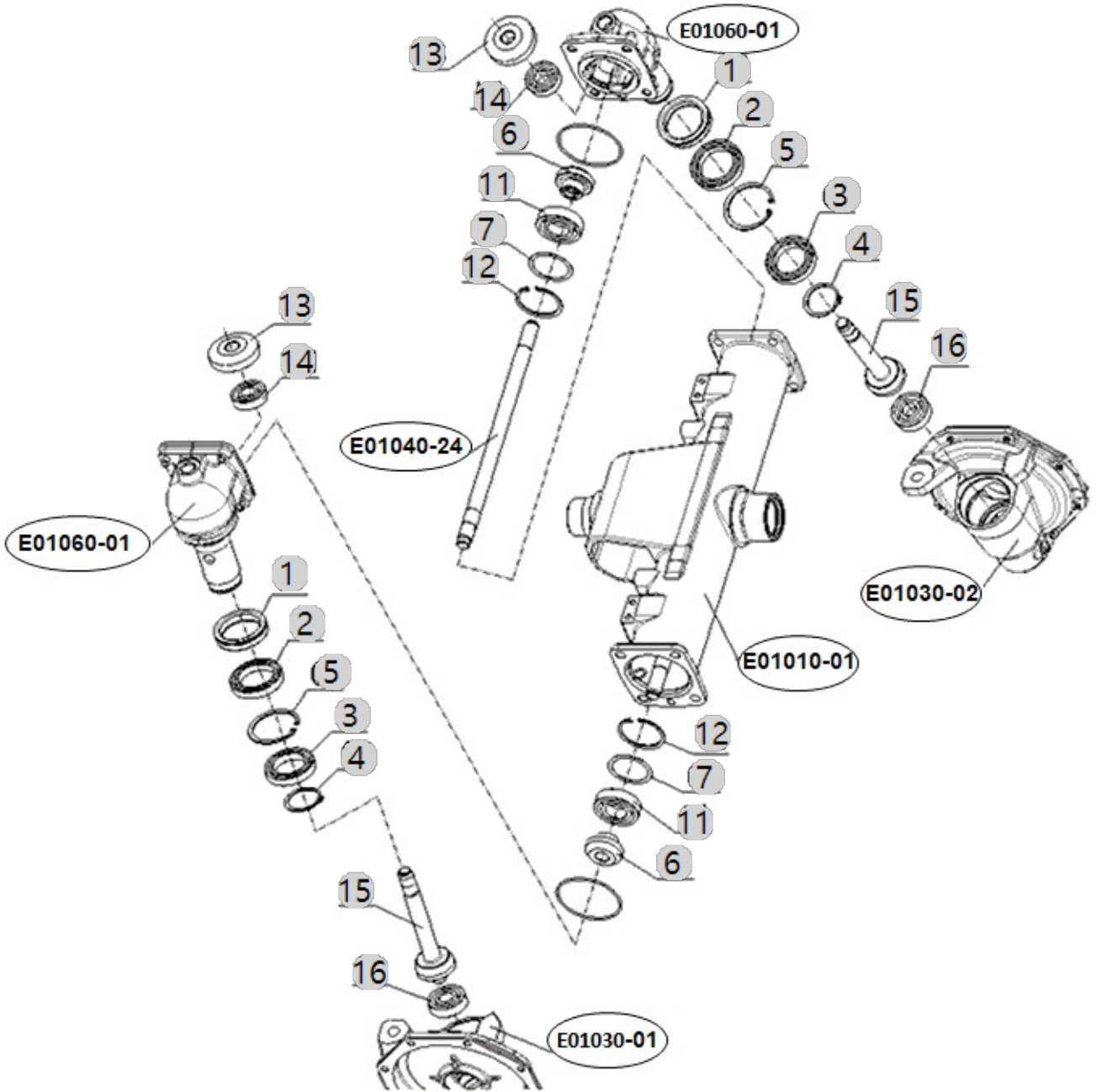
E01050

2610H US_FL
(AC02170)

BEVEL GEAR

Year/Month

2022-12-14



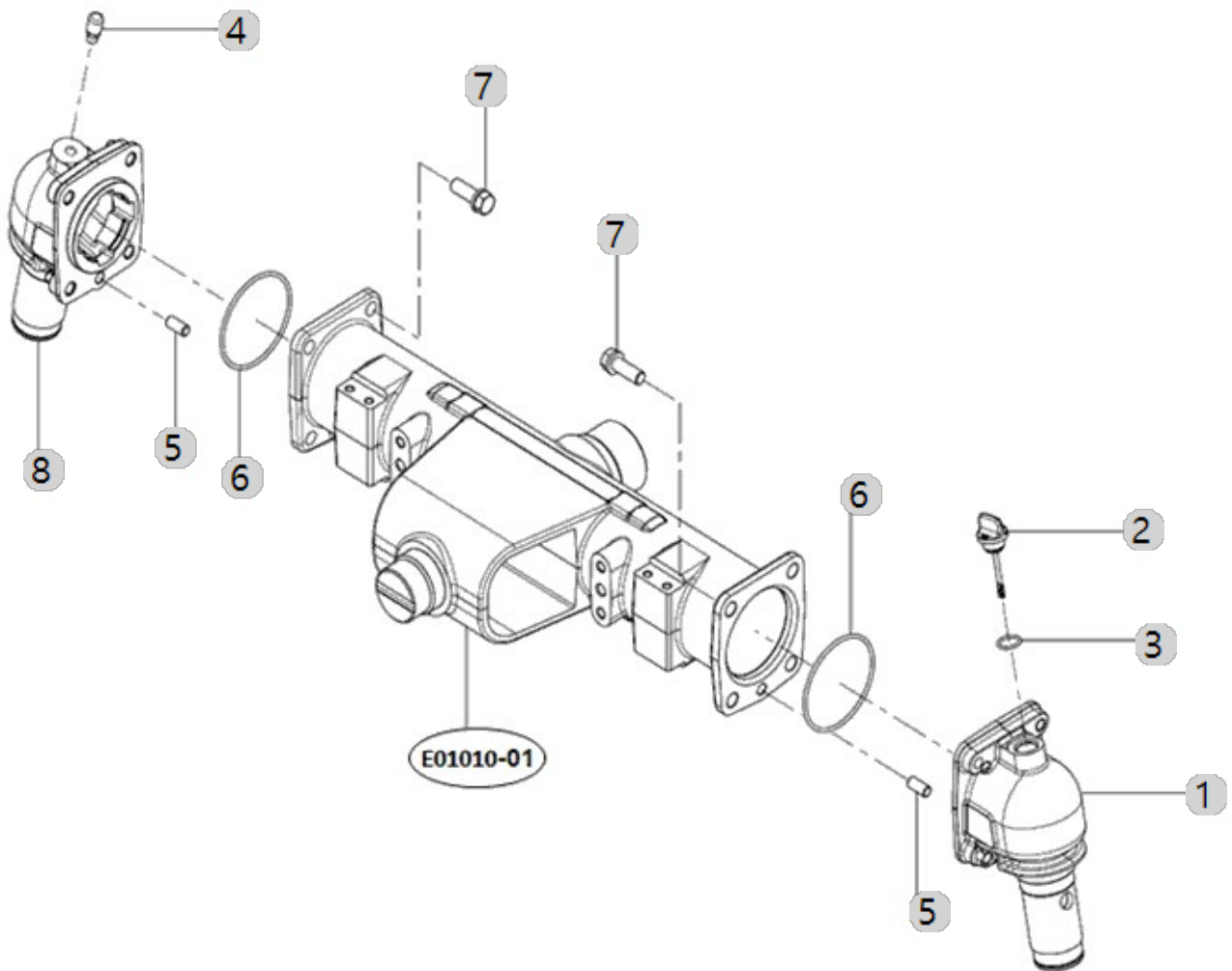
E01060

2610H US_FL
(AC02170)

BEVEL GEAR CASE

Year/Month

2022-12-14



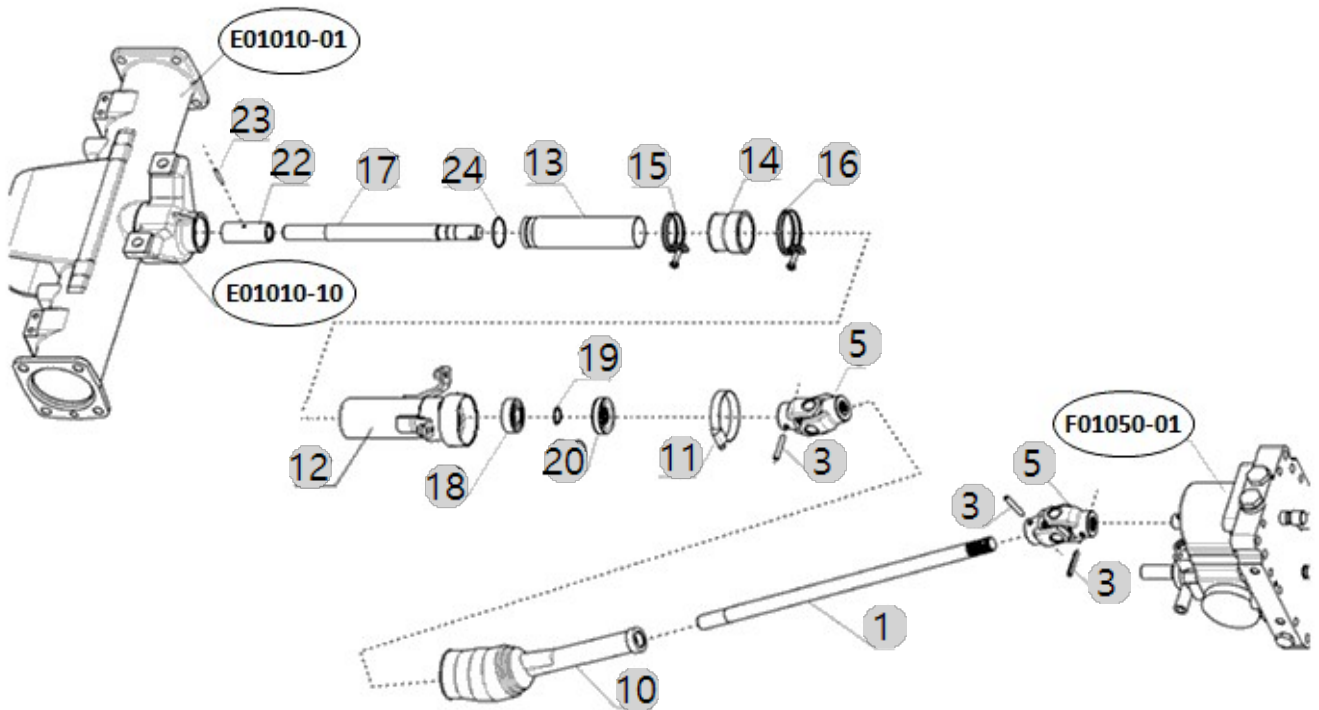
E01070H

2610H US_FL
(AC02170)

FRONT DRIVE SHAFT

Year/Month

2022-12-14



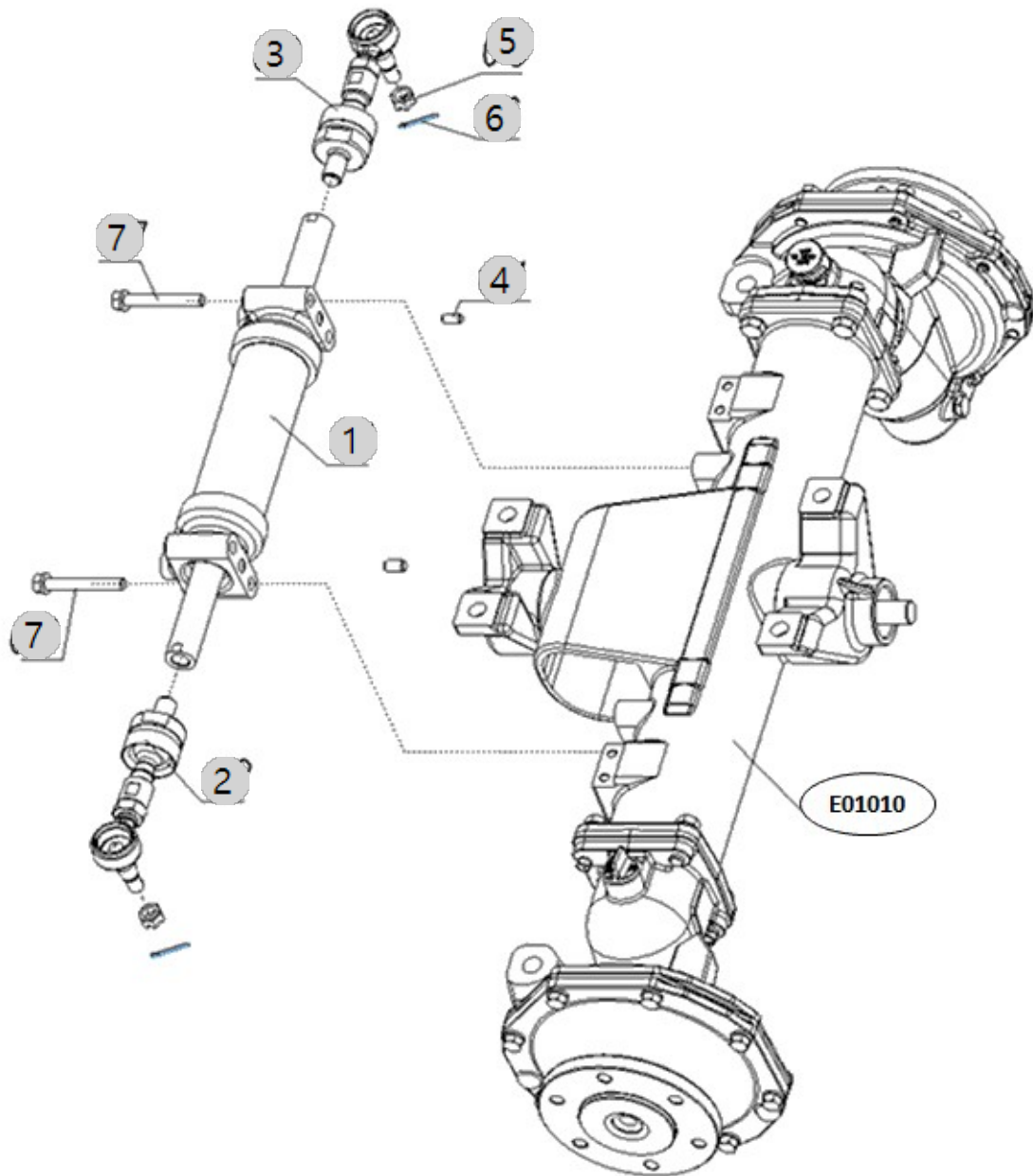
E01080

2610H US_FL
(AC02170)

TIE ROD

Year/Month

2022-12-14



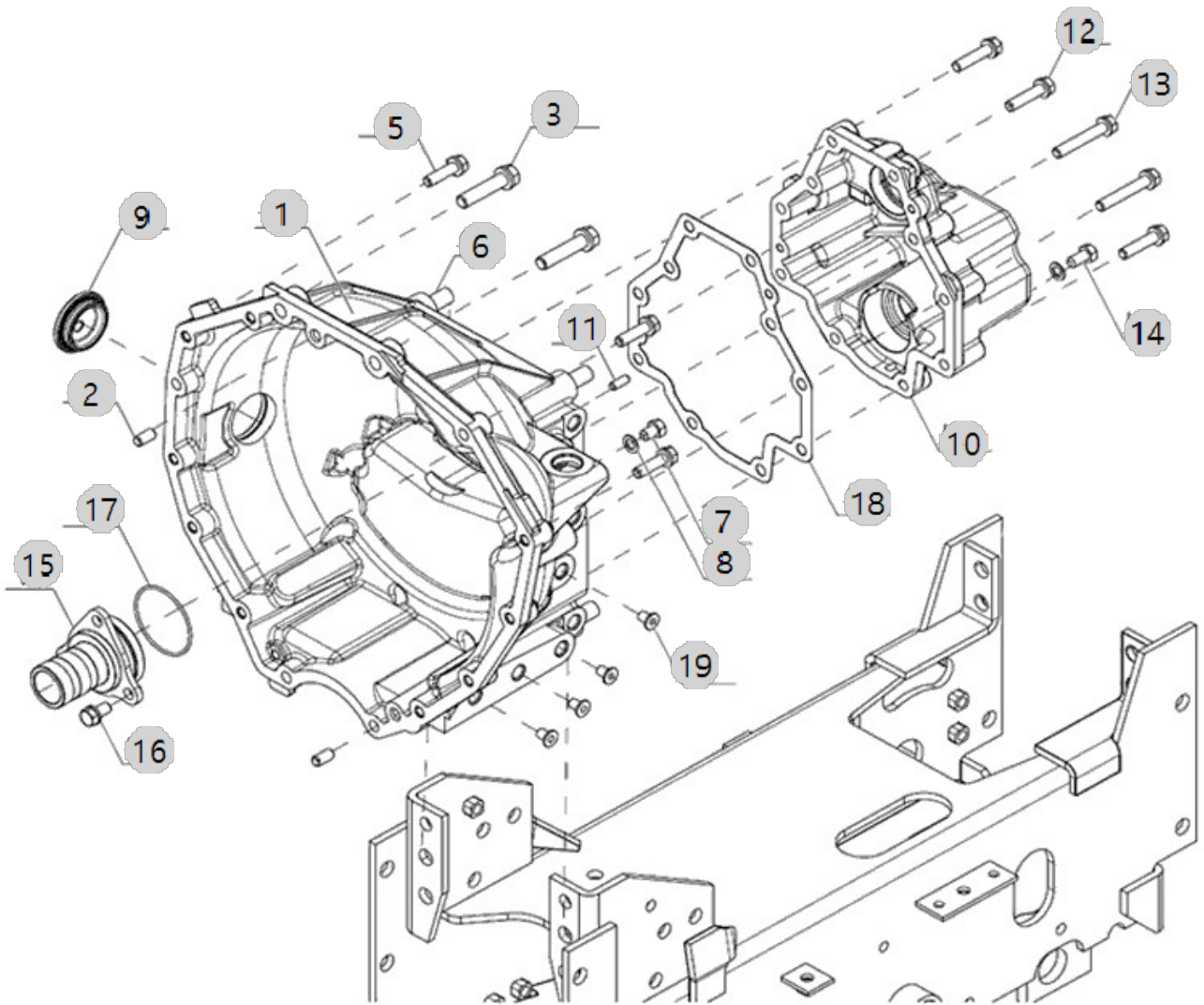
F01010

2610 HST TM
(AC01986)

(CLUTCH HOUSING)

Year/Month

2022-12-14



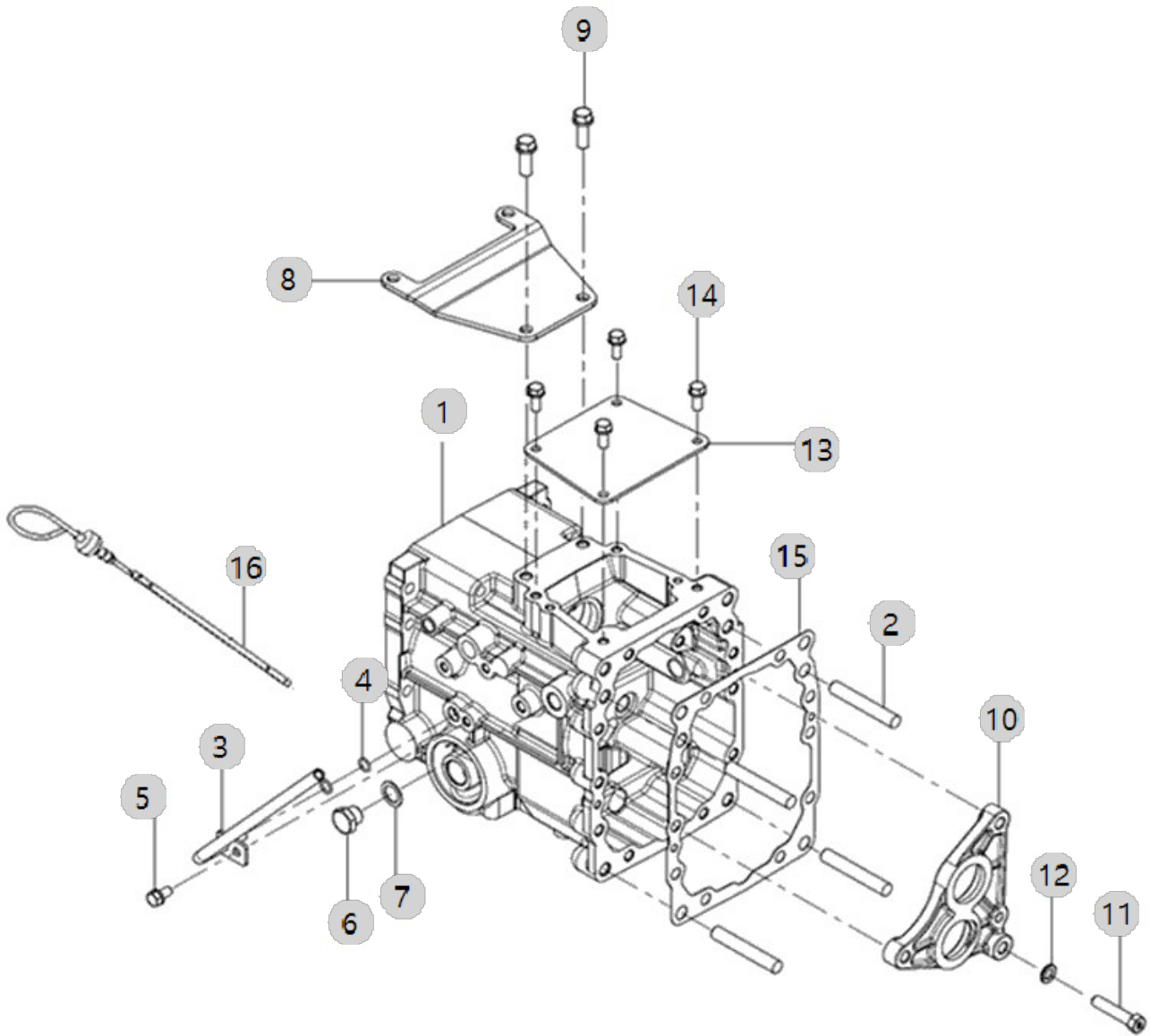
F01020H-B

2610 HST TM
(AC01986)

(TRANSMISSION CASE)

Year/Month

2022-12-14



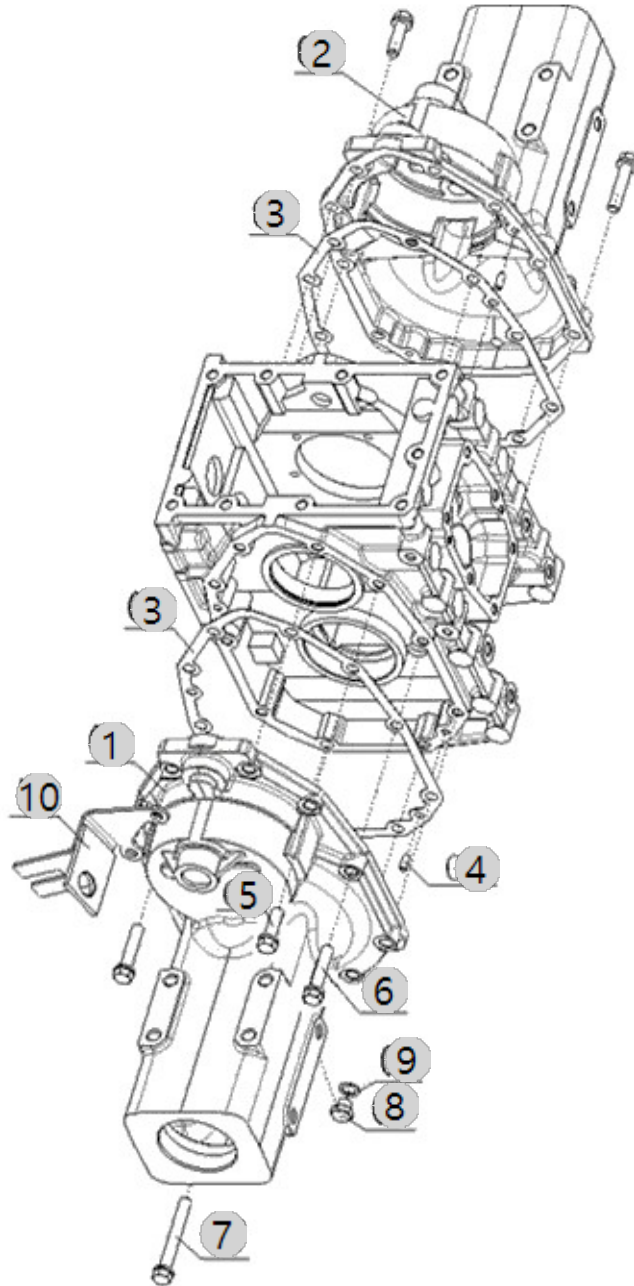
F01040

2610 HST TM
(AC01986)

REAR AXLE CASE

Year/Month

2022-12-14



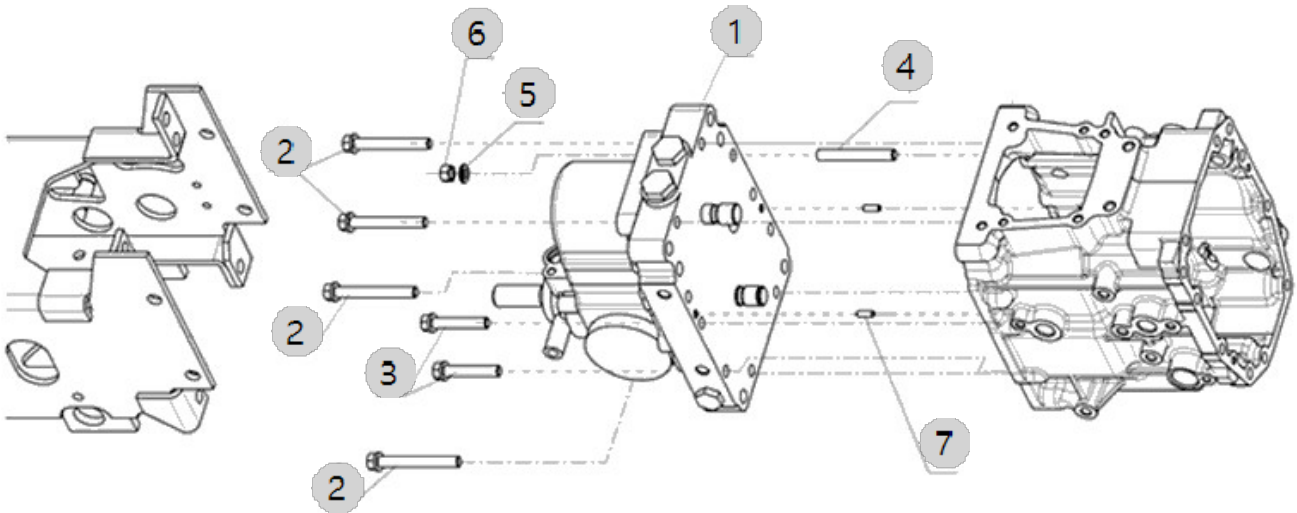
F01050

2610 HST TM
(AC01986)

(HYD SHIFT TRANSMISSION HOUSING)

Year/Month

2022-12-14



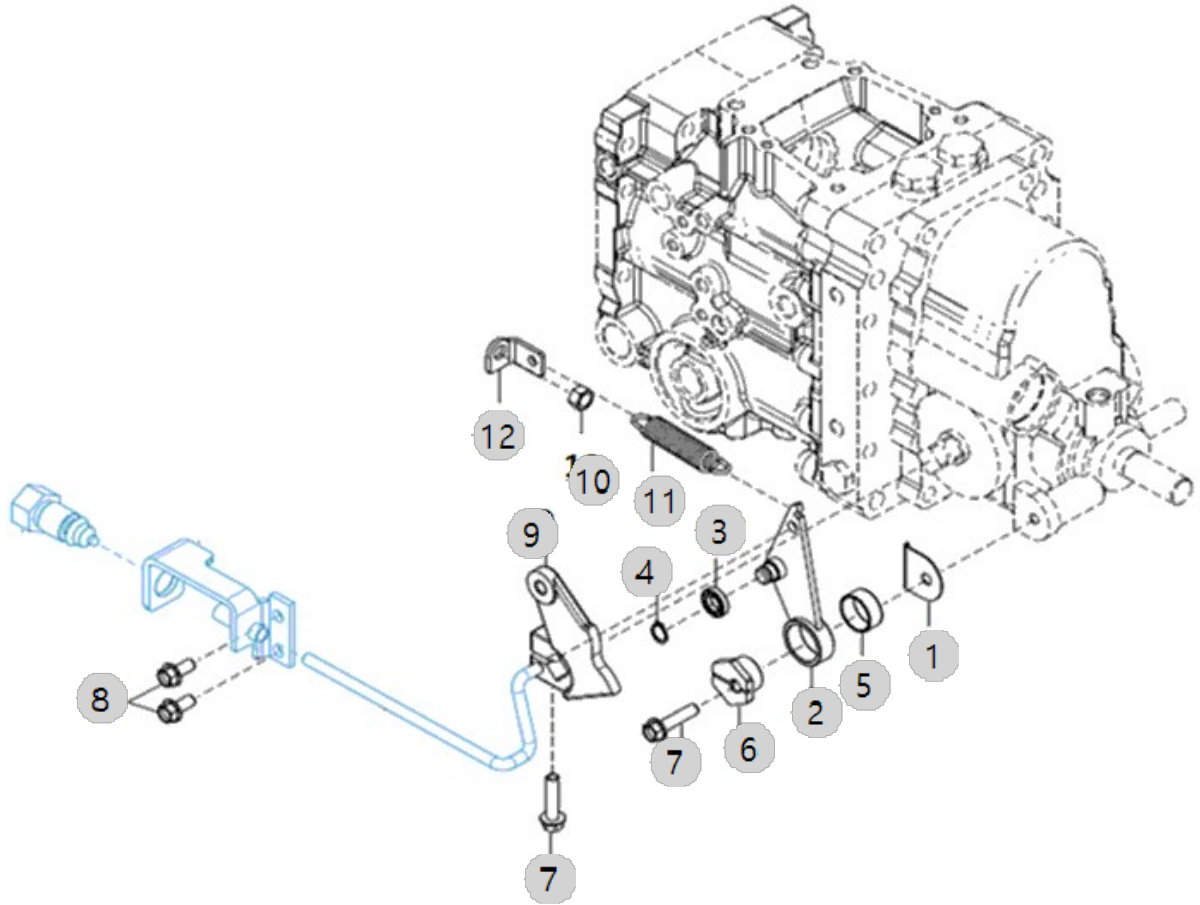
F01051

2610 HST TM
(AC01986)

(NEUTRE HOLDER LINK)

Year/Month

2022-12-14



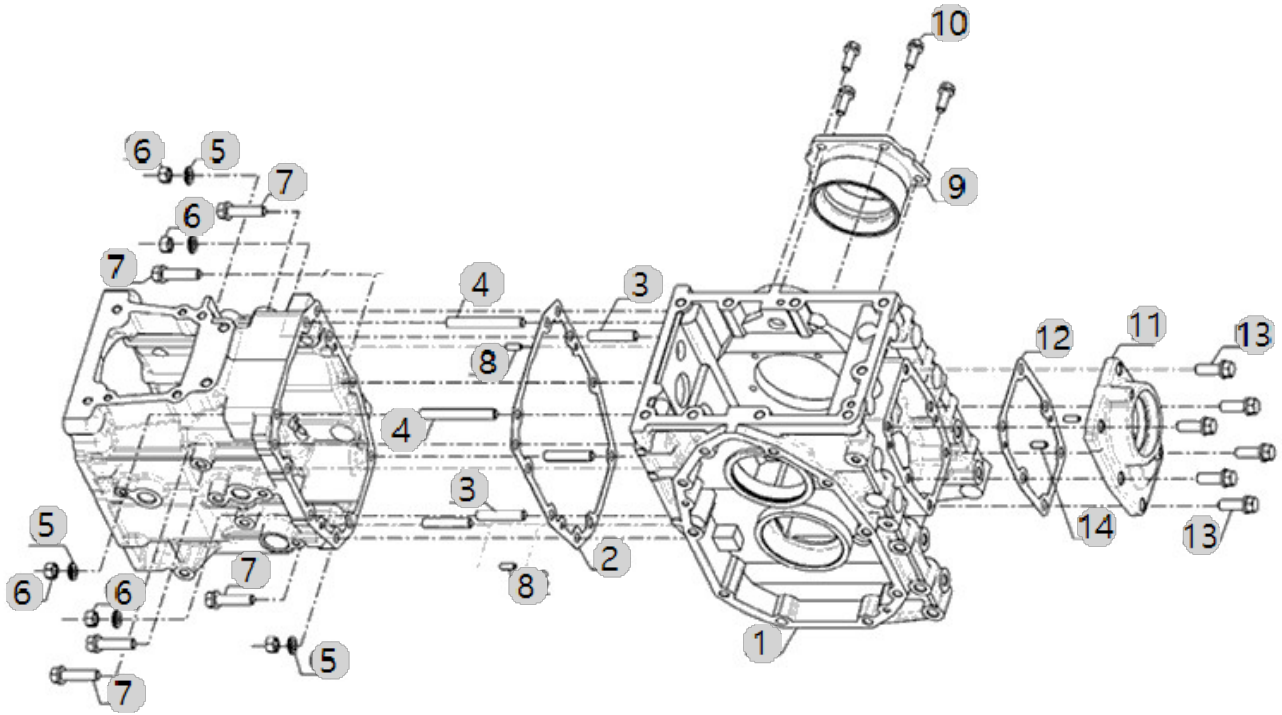
F01070

2610 HST TM
(AC01986)

(DIFFERENTIAL GEAR CASE)

Year/Month

2022-12-14



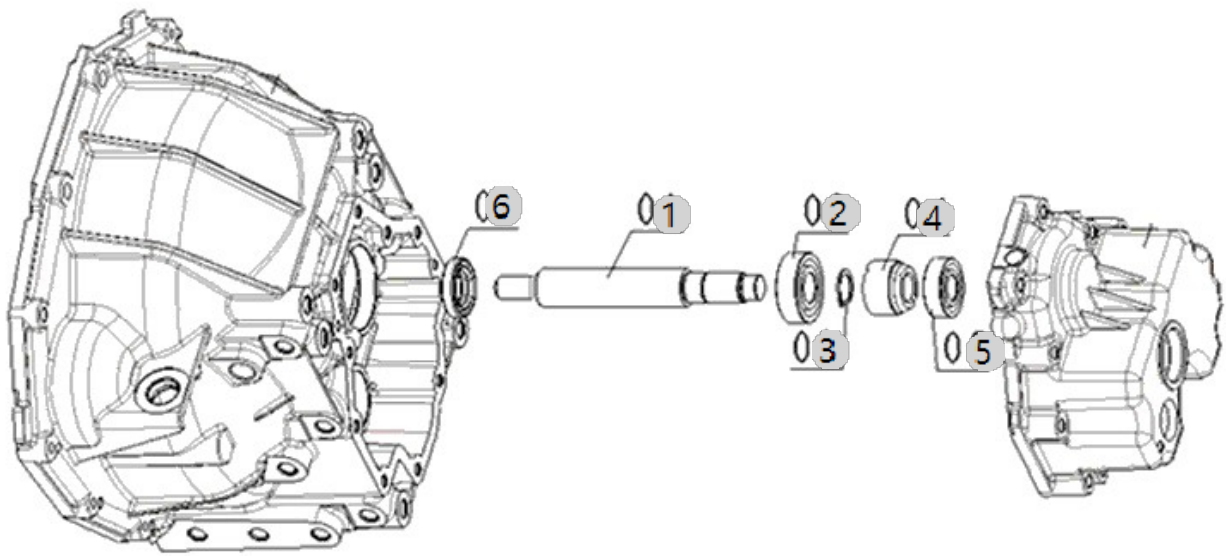
F02020

2610 HST TM
(AC01986)

(CLUTCH SHAFT)

Year/Month

2022-12-14



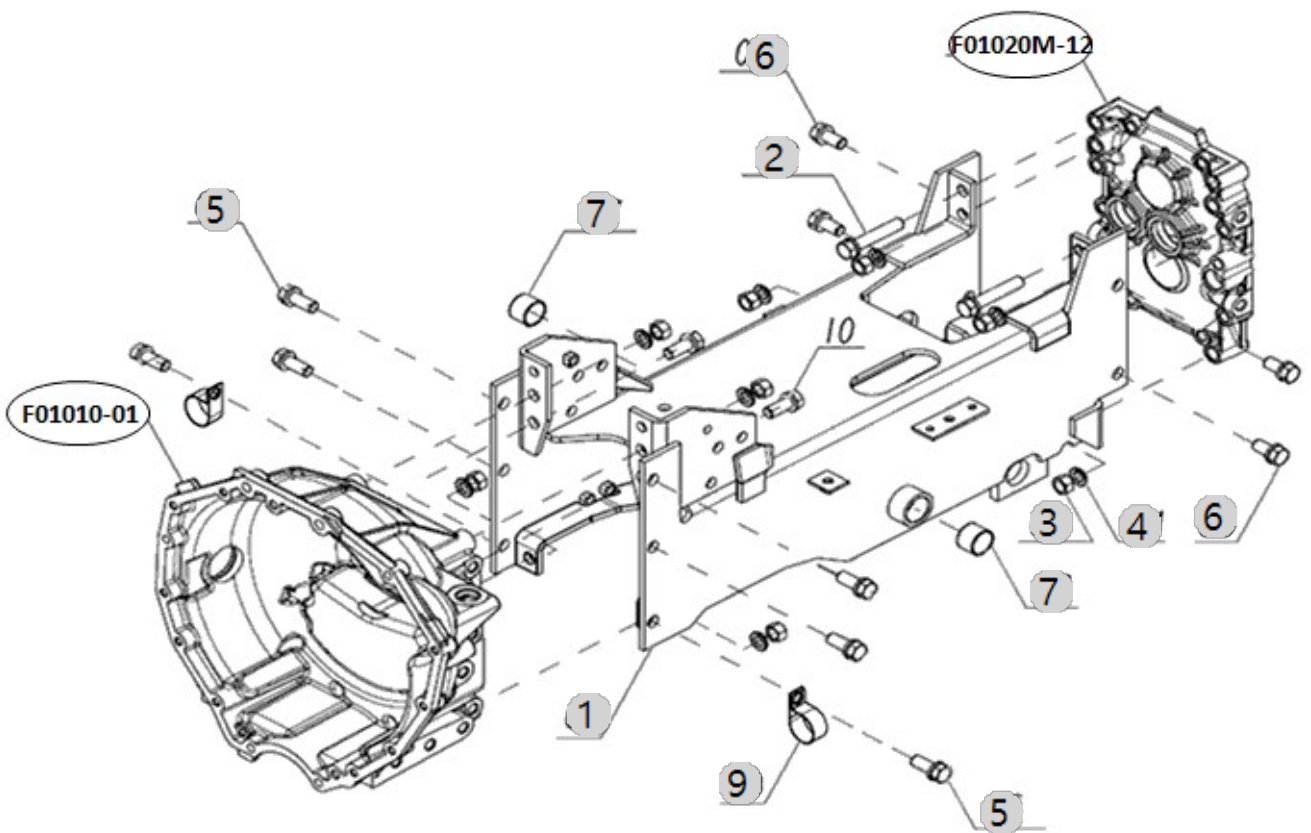
F02090

2610 HST TM
(AC01986)

(CENTER FRAME)

Year/Month

2022-12-14



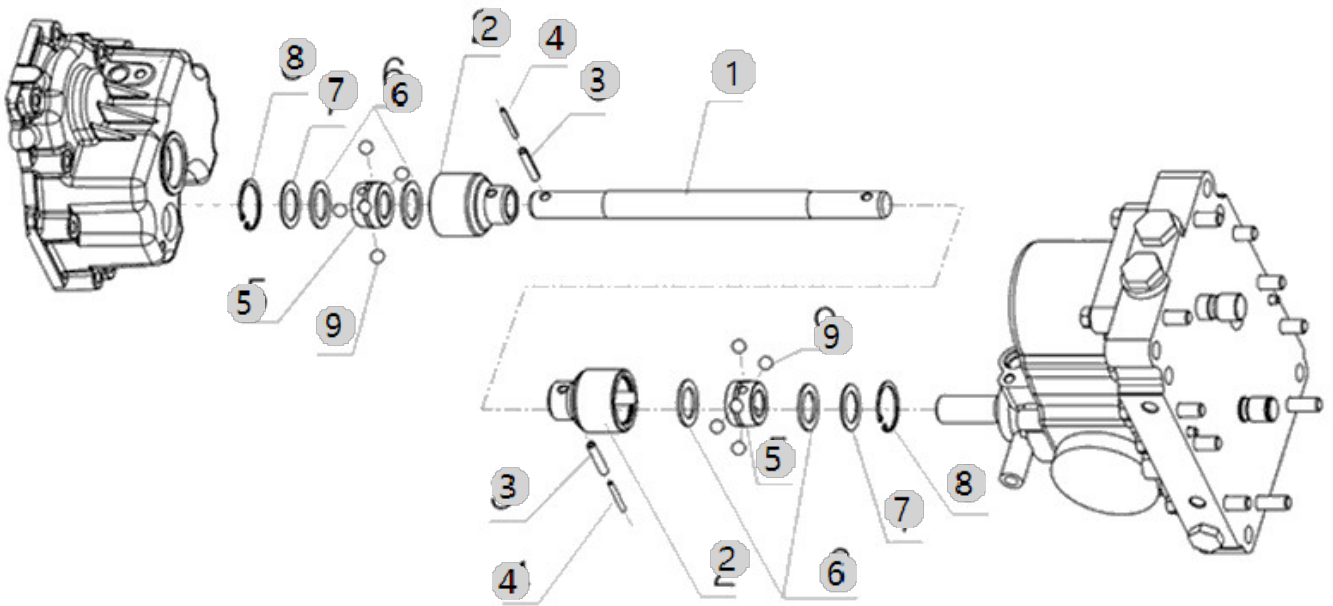
F02110H

2610 HST TM
(AC01986)

(PROPELLER SHAFT)

Year/Month

2022-12-14



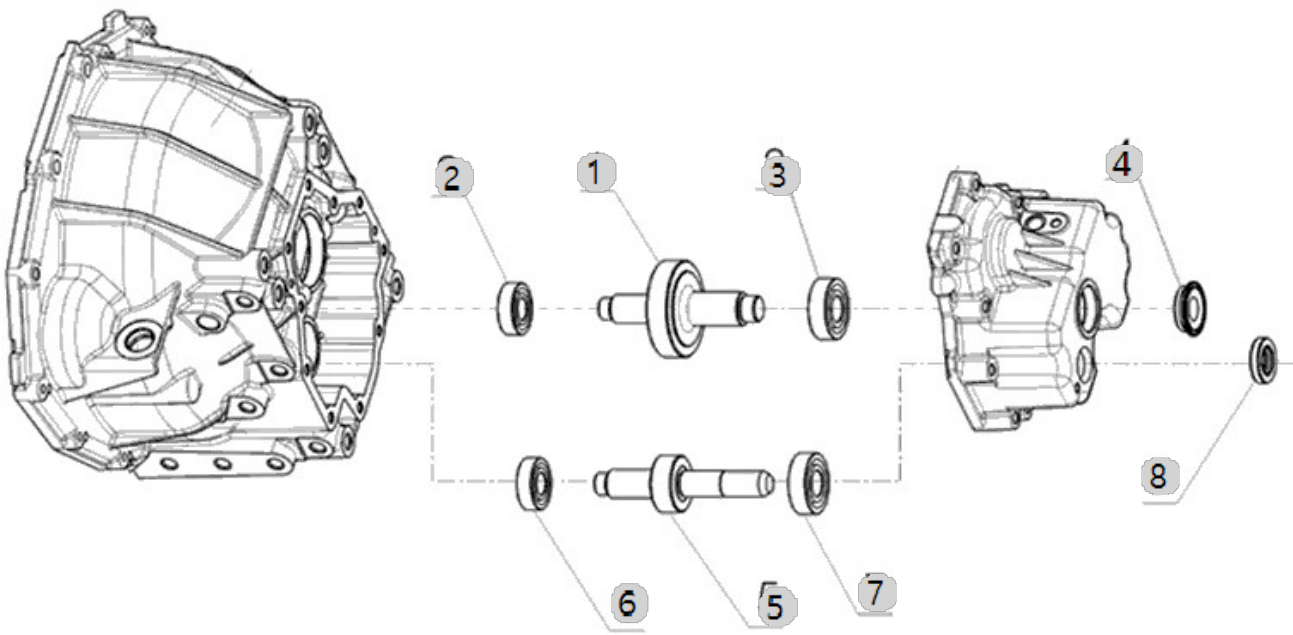
F02120H

2610 HST TM
(AC01986)

(FRONT SHAFT)

Year/Month

2022-12-14



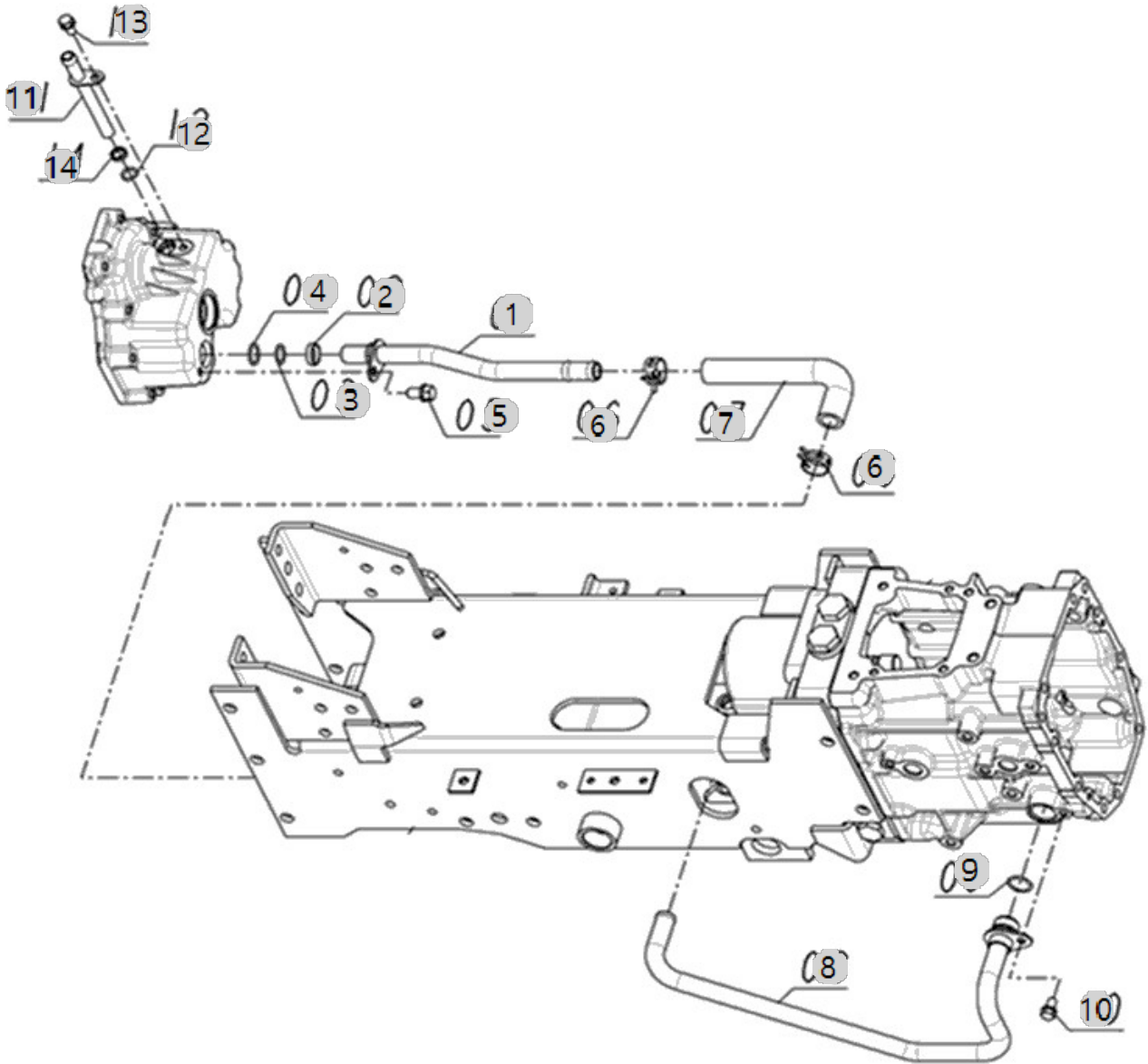
F02130H

2610 HST TM
(AC01986)

(HYDRAULIC OIL LINE, CLUTCH)

Year/Month

2022-12-14



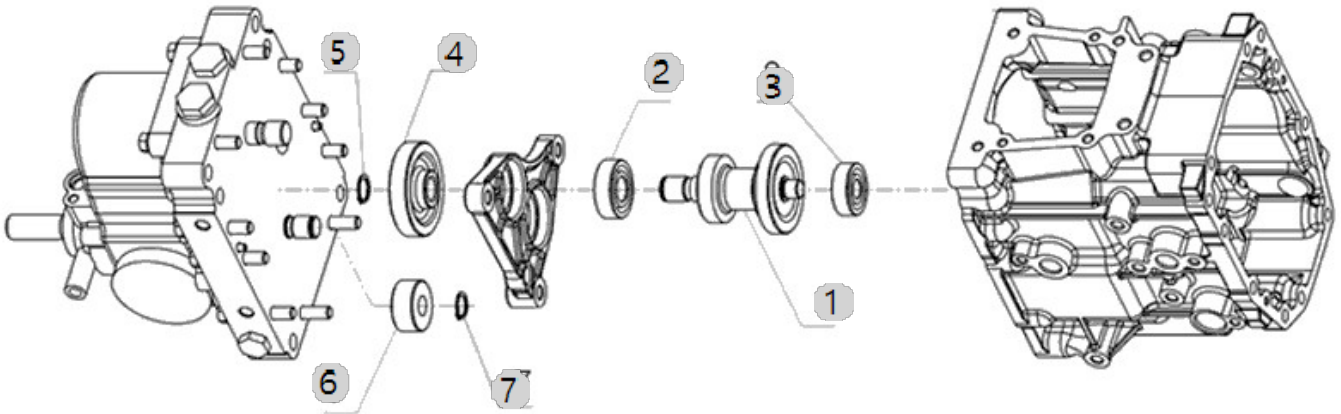
F03010H

2610 HST TM
(AC01986)

(MAIN SHIFT DRIVE SHAFT)

Year/Month

2022-12-14



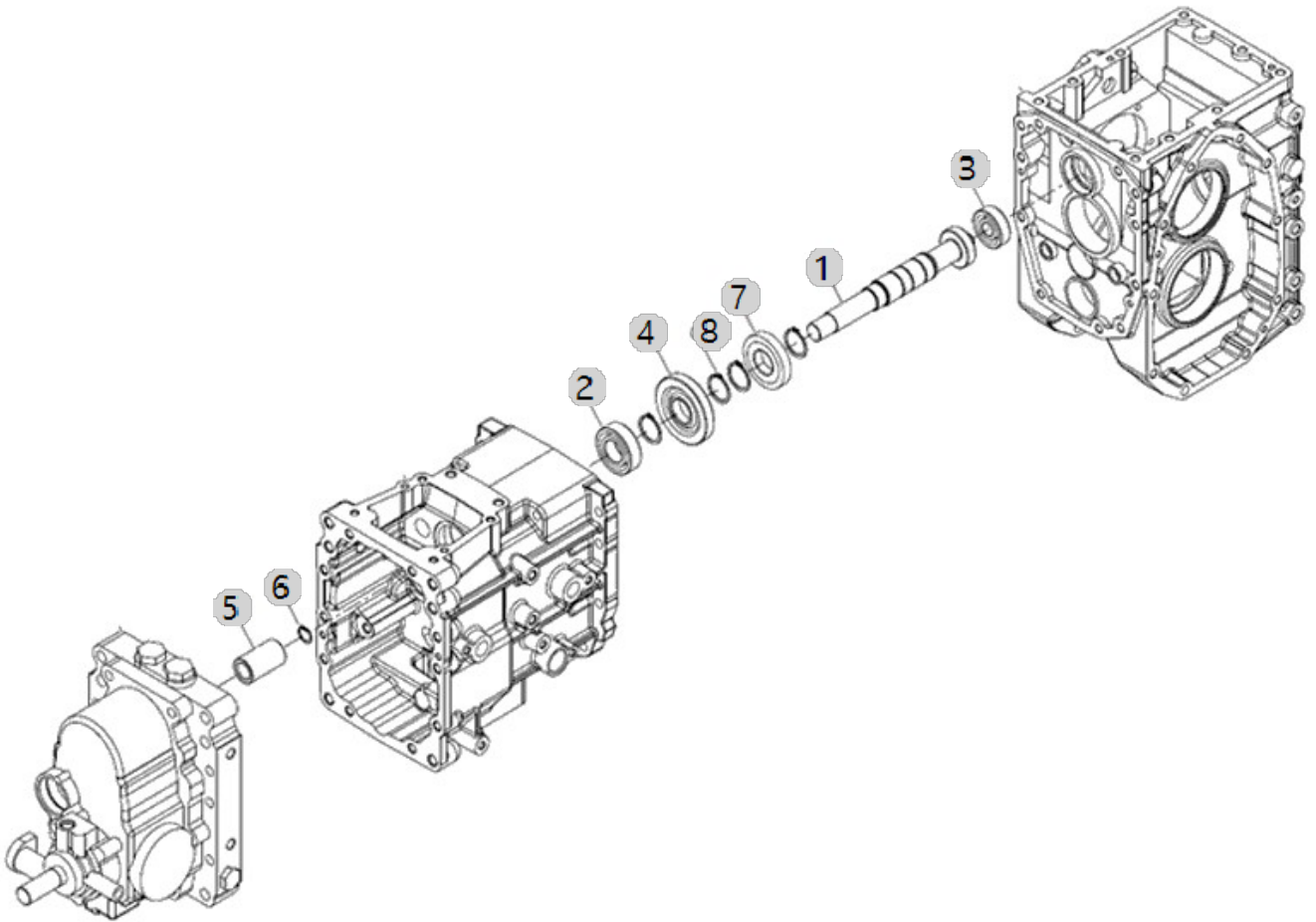
F03040H

2610 HST TM
(AC01986)

(RANGE SHIFT DRIVE SHAFT)

Year/Month

2022-12-14



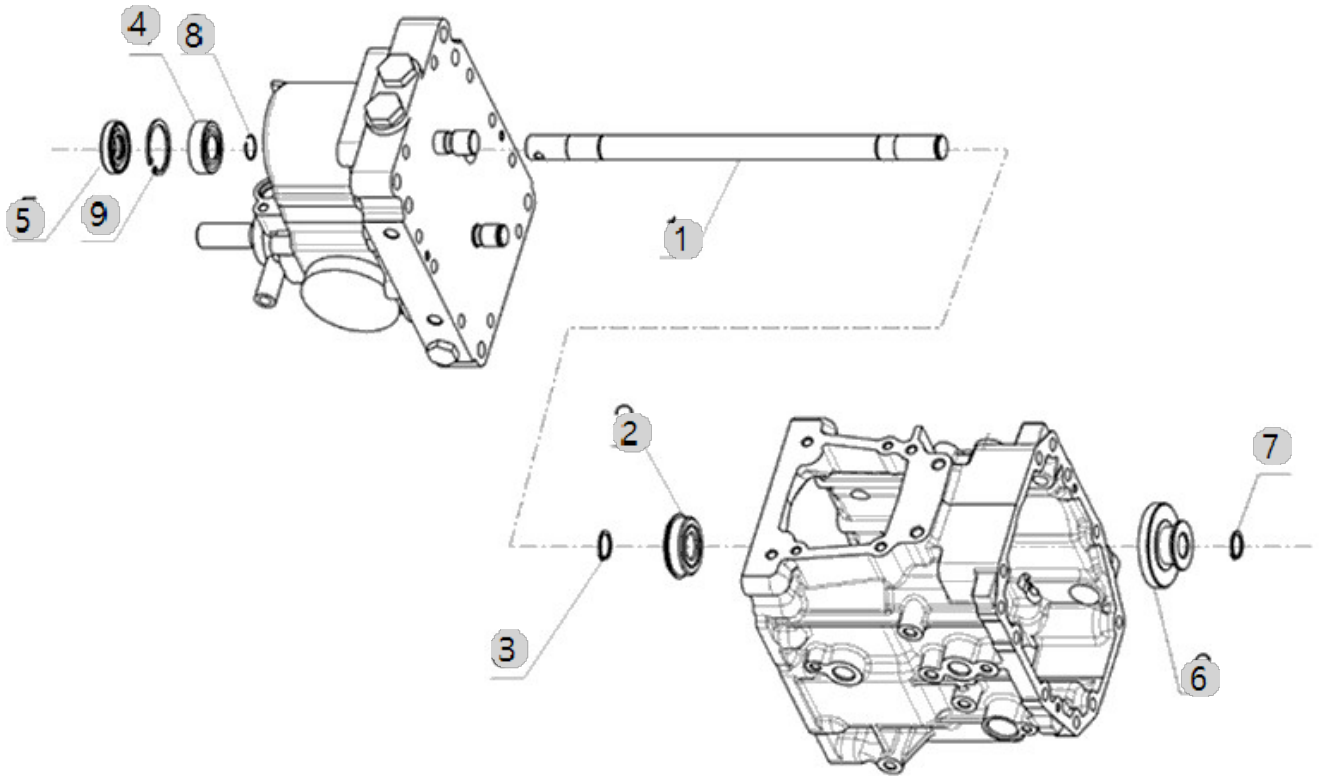
F04010H

2610 HST TM
(AC01986)

(FRONT WHEEL DRIVE SHAFT)

Year/Month

2022-12-14



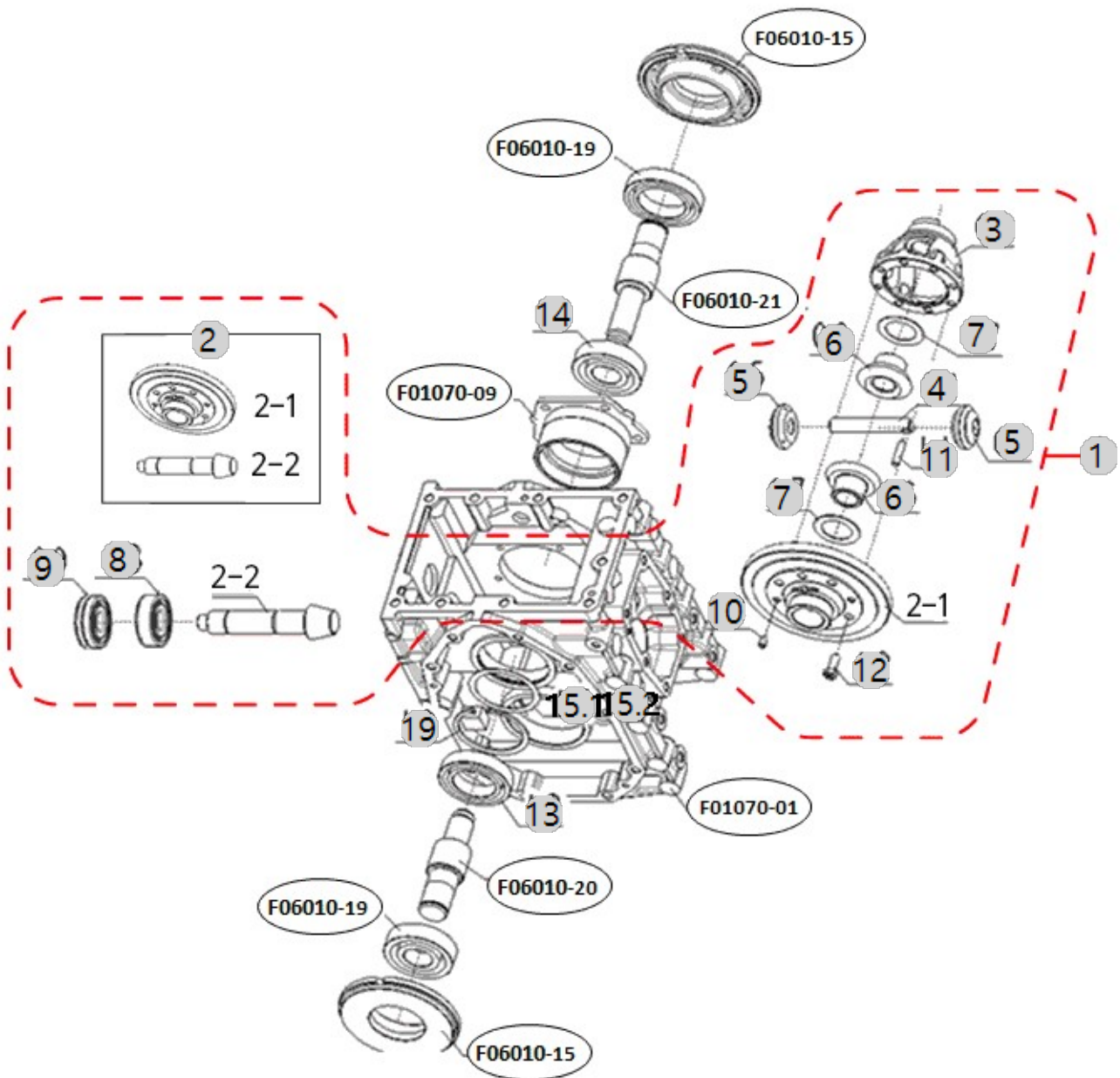
F05020

2610 HST TM
(AC01986)

(REAR DIFFERENTIAL)

Year/Month

2022-12-14



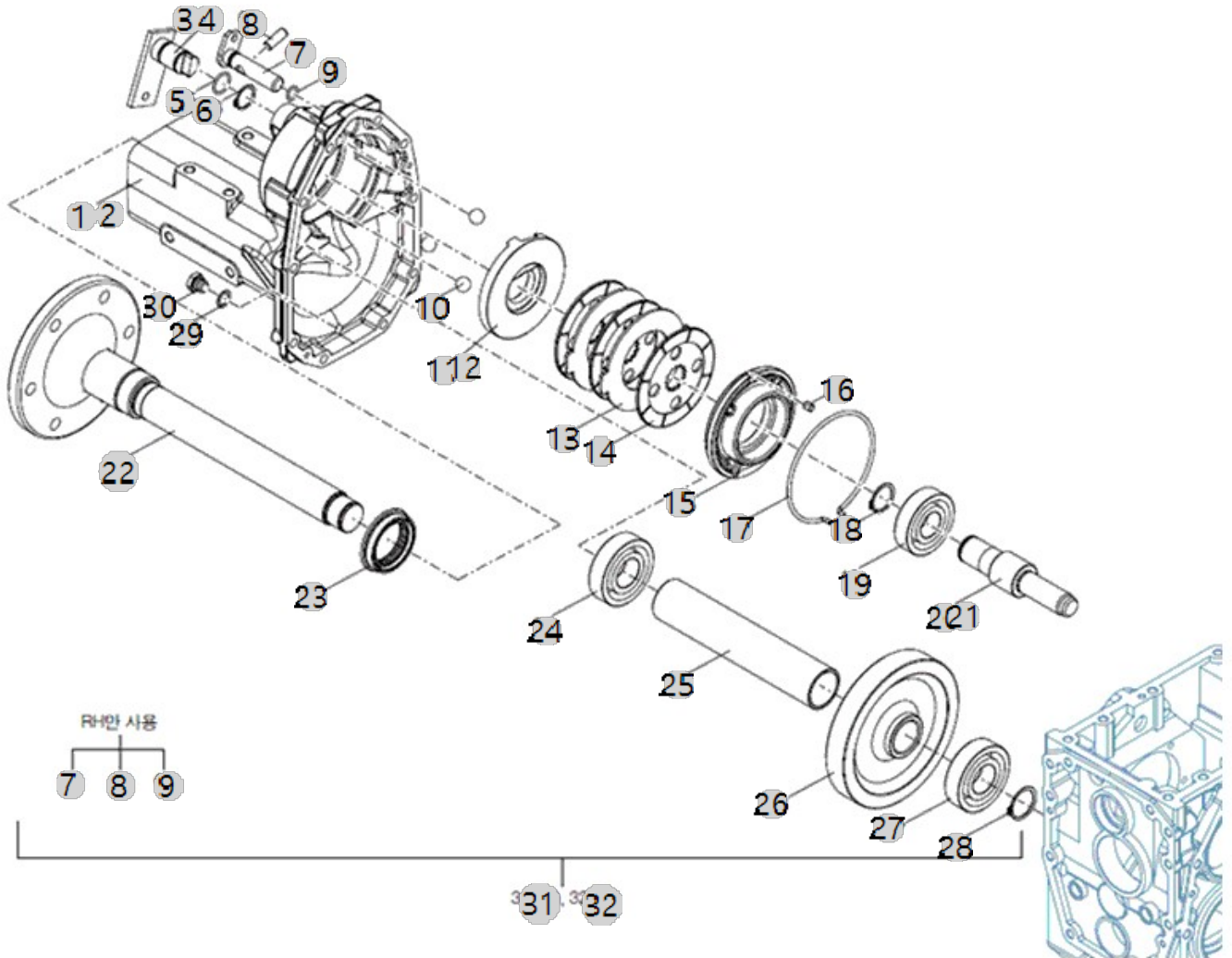
F06010

2610 HST TM
(AC01986)

(REAR AXLE)

Year/Month

2022-12-14



F06010 2610 HST TM (AC01986)		(REAR AXLE)				Year/Month 2022-12-14
순번 (NO)	부품번호 (PART NO)	품명 (PART NAME)	품명 (PART NAME)	수량 (QTY)	규격 (SPEC)	비고 (REMARK)
1	FE30010000B	후차축케이스(좌)	REAR AXLE CASE, LH	1		
1	FE30010000A	후차축케이스(좌)	CASE, AXLE LH	1		
1	FE30010000C	후차축케이스(좌)	REAR AXLE CASE, LH	1		
2	FE30020000A	후차축케이스(우)	CASE, AXLE RH	1		
2	FE30020000C	후차축케이스(우)	REAR AXLE CASE, RH	1		
2	FE30020000B	후차축케이스(우)	REAR AXLE CASE, RH	1		
3	FE57010000A	브레이크 캠레버(좌)	LEVER(L),BRAKE CAM	1		
4	FE57020000A	브레이크 캠레버(우)	LEVER(R),BRAKE CAM	1		
5	24311-000210	361,A22,O-RING1AP-21.0	O-RING, DYNAMIC (Φ21)	2	P21	
6	22242-000250	축용스냅링25	SNAP RING, SHAFT (Φ 25)	2	D25	
7	FE55010000C	포크로드	ROD, FORK	1		
8	22312-100250	평행핀	PIN, DOWEL (10-25)	1	D10X25	
9	24311-000125	O-링 1AP12.5	O-RING, DYNAMIC (Φ12.5)	1	D12.5	
10	24190-200001	강구	Ball, Steel	6		
11	FE57060000A	액츄에이터(좌)	ACTUATOR(L)	1	-	
12	FE57070000A	액츄에이터(우)	ACTUATOR...	1		
13	FE57080000A	브레이크마찰판	Plate, Brake Friction	6		
14	FE57090000A	플레이트	Plate, Brake Iron	4	2.0T	
15	FE57100000A	베어링홀더	HOLDER,BEARING	2		
16	FE57110000A	핀	PIN	2	N8X9.3	
17	FE57120000A	클립	CLIP	2	D4.0	
18	22242-000300	축용스냅링30	SNAP RING, SHAFT (Φ 30)	2	D30	
19	24101-063064	볼베어링6306	Bearing, Ball (#6306)	2	#6306	
20	FE41200000A	차동기어축(좌)	SHAFT(L),DEFFENTIAL GEAR	1	-	
21	FE41210000A	차동기어축(우)	SHAFT(R),DIFFERENTIAL GEAR	1		
22	FE56010000B	후차축	AXLE, REAR	2		
22	TA00039489B	후차축	REAR SHAFT	2		
23	FE56070000A	오일실 (특수) 50x68x11.5/16	SEAL,OIL	2	50X68X11.5/1	
24	24101-062084	볼베어링6208	Bearing, Ball (#6208)	2	#6208	
25	FE56050000A	칼라 152	COLLAR 152	2	D48.6X3.5T	
26	FE56040000A	기어(57)	GEAR(57)	1	-	
26	FE56040000B	기어(57)	GEAR	2	-	
27	24101-063074	볼베어링6307	Bearing, Ball (#6307)	2	#6307	
28	22242-000350	축용스냅링35	SNAP RING, SHAFT (Φ 35)	2	D35	
29	TA00036405A	분디드실(M20)	BONDED SEAL	2		
29	23414-120000	동패킹	WASHER, PLAIN (Φ 12)	2	M12	
30	23887-120002	육각 머리 볼이 플러그	BOLT	2	M12XP1.25	
30	TA00065959A	마그넷 플러그	PLUG, MAGNET	2		
31	TA00056813C	후차축 조립(LH,00)	ASS'Y, REAR SHAFT(LH,00)	1		
31	TA00056813B	후차축 조립(LH,00)	ASS'Y, REAR SHAFT	1		
31	TA00056813D	후차축 조립(LH,00)	REAR SHAFT ASSY(LH,00)	1		
31	TA00056813E	후차축 조립(LH,00)	ASS'Y, REAR SHAFT(LH,00)	1		
31	TA00056815D	후차축 조립(LH,3100)	REAR SHAFT ASSY(LH,3100)	1		
31	TA00056815C	후차축 조립(LH,3100)	ASS'Y, REAR SHAFT(LH,3100)	1		
31	TA00056815B	후차축 조립(LH,3100)	ASS'Y, REAR SHAFT	1		

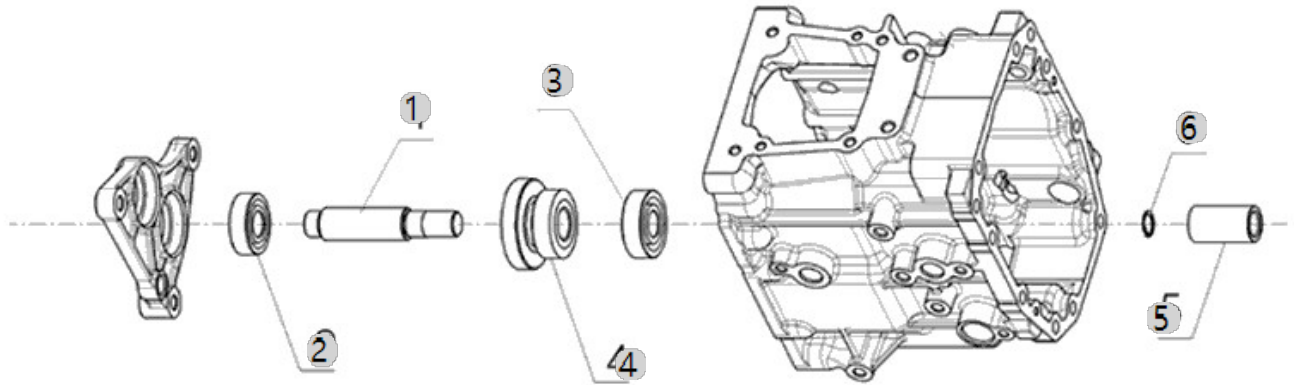
F07030H

2610 HST TM
(AC01986)

(PTO DRIVE SHAFT)

Year/Month

2022-12-14



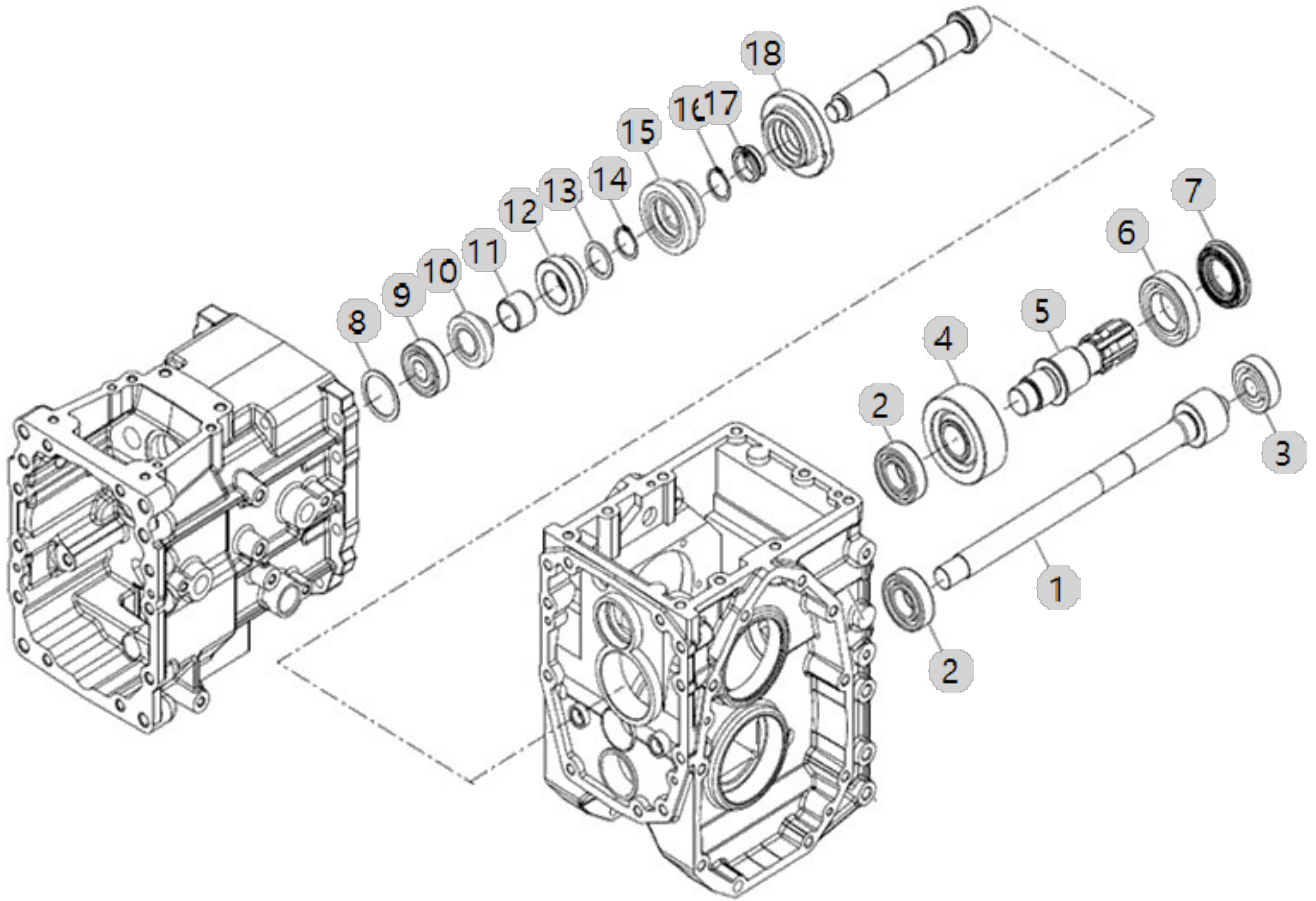
F07070H-B

2610 HST TM
(AC01986)

(PTO SHAFT)

Year/Month

2022-12-14



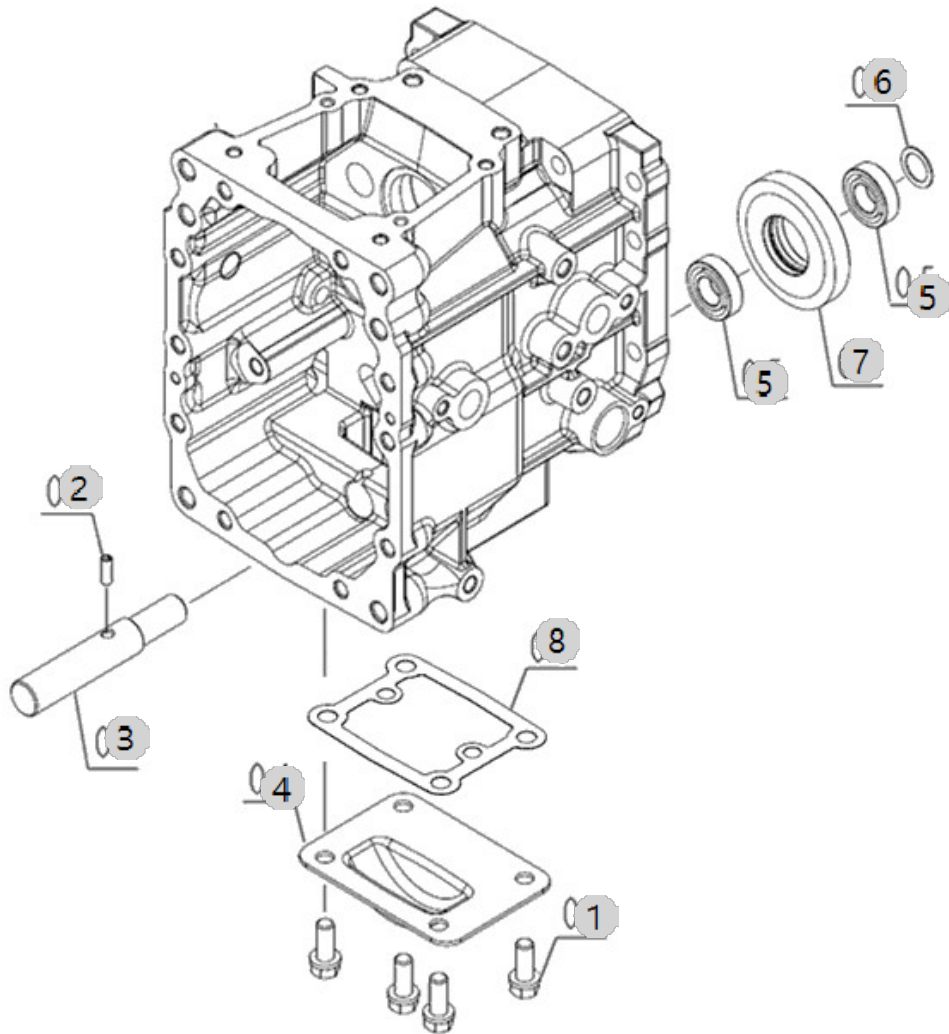
F07080

2610 HST TM
(AC01986)

MID PTO

Year/Month

2022-12-14



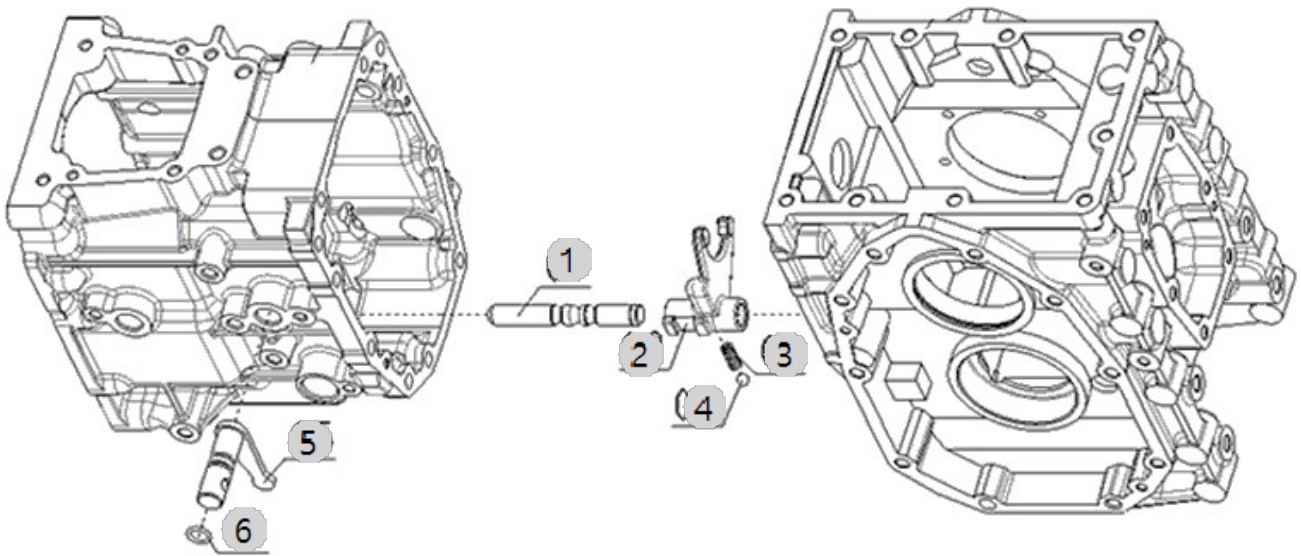
F08022

2610 HST TM
(AC01986)

(RANGE SHIFT FORK)

Year/Month

2022-12-14



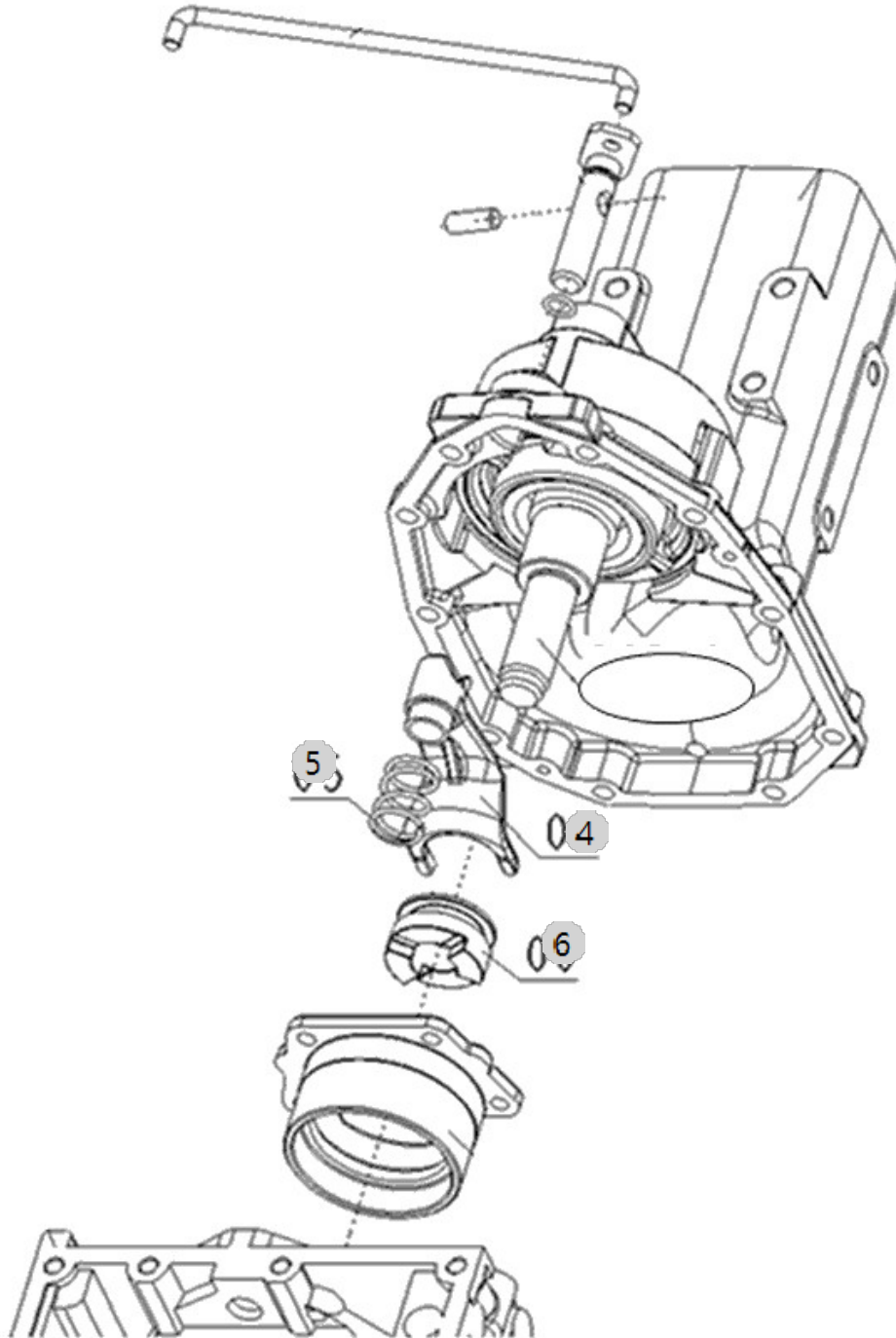
F08050

2610 HST TM
(AC01986)

(DIFFERENTIAL LOCK SHIFT FORK)

Year/Month

2022-12-14



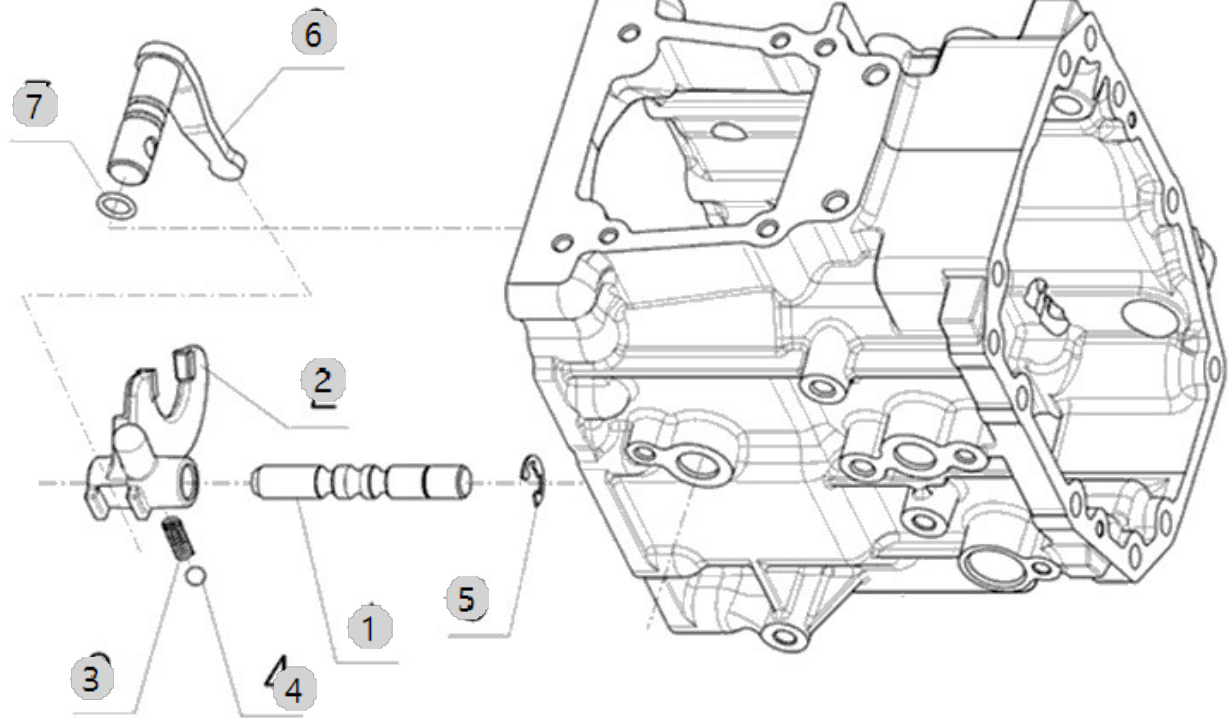
F08060H

2610 HST TM
(AC01986)

(PTO FORK)

Year/Month

2022-12-14



F10010-B

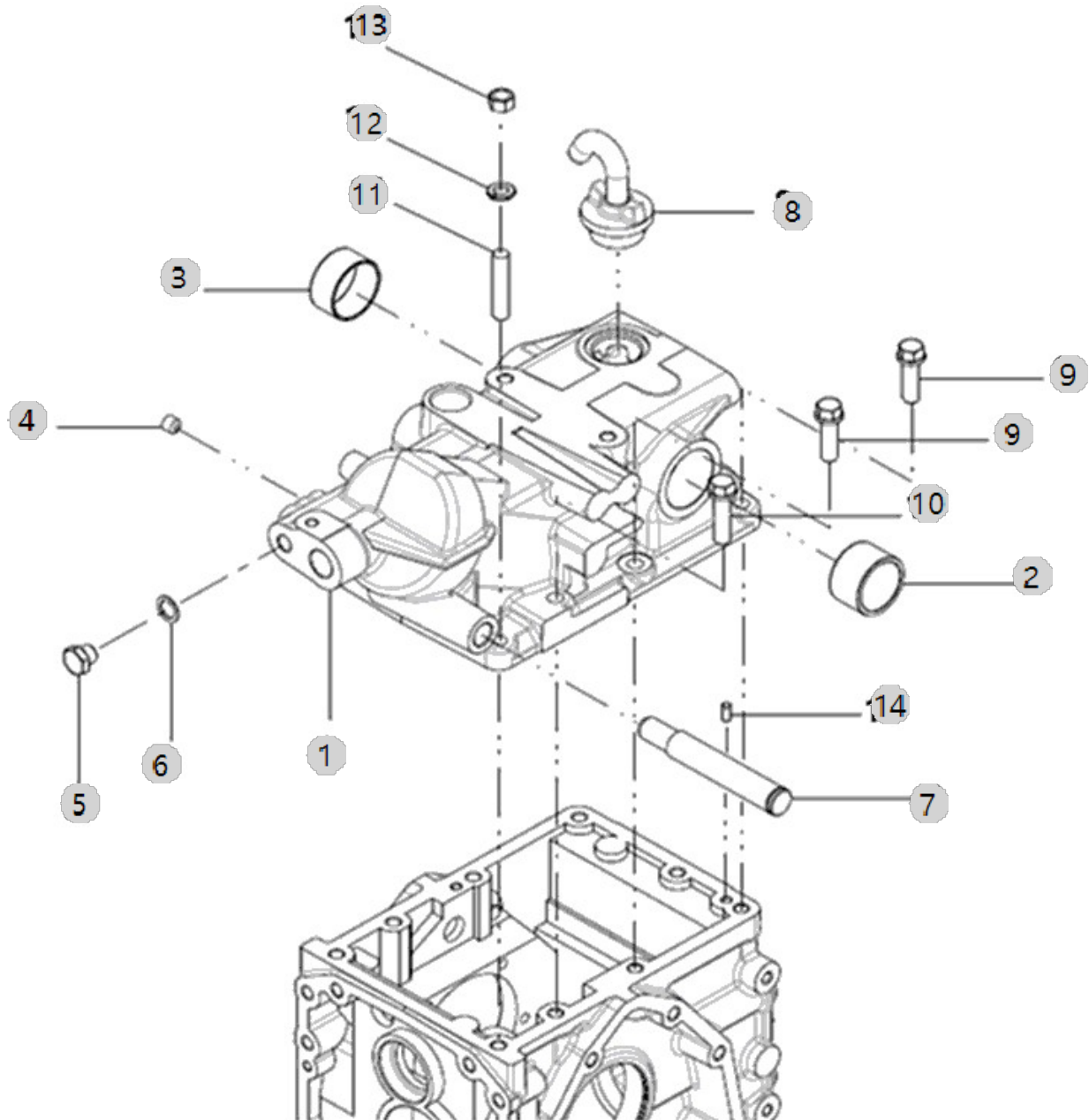
2610 HST TM
(AC01986)

(HYD. CYLINDER CASE)

Year/Month

2022-12-14

POSITION



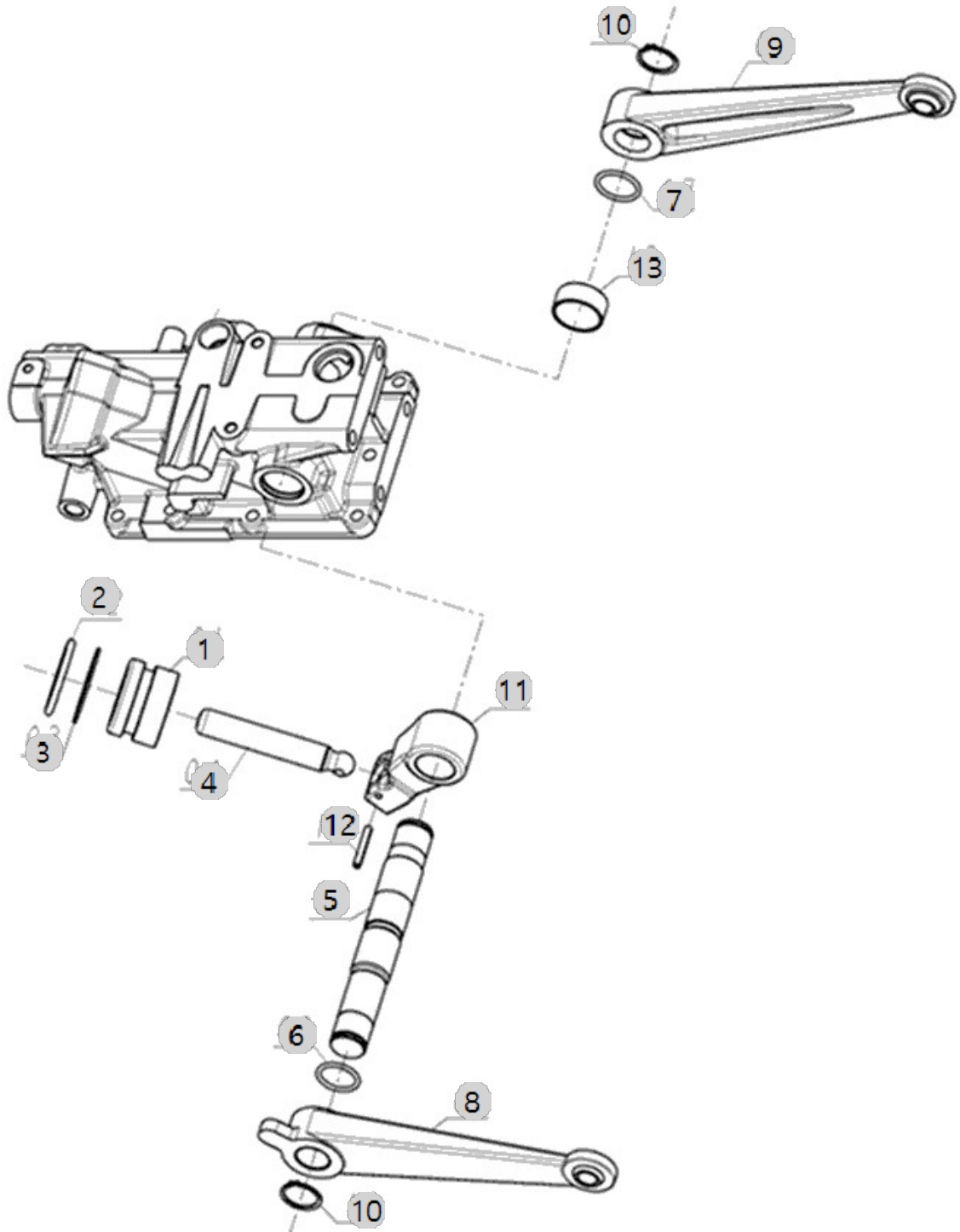
F10020

2610 HST TM
(AC01986)

(LIFT ARM)

Year/Month

2022-12-14



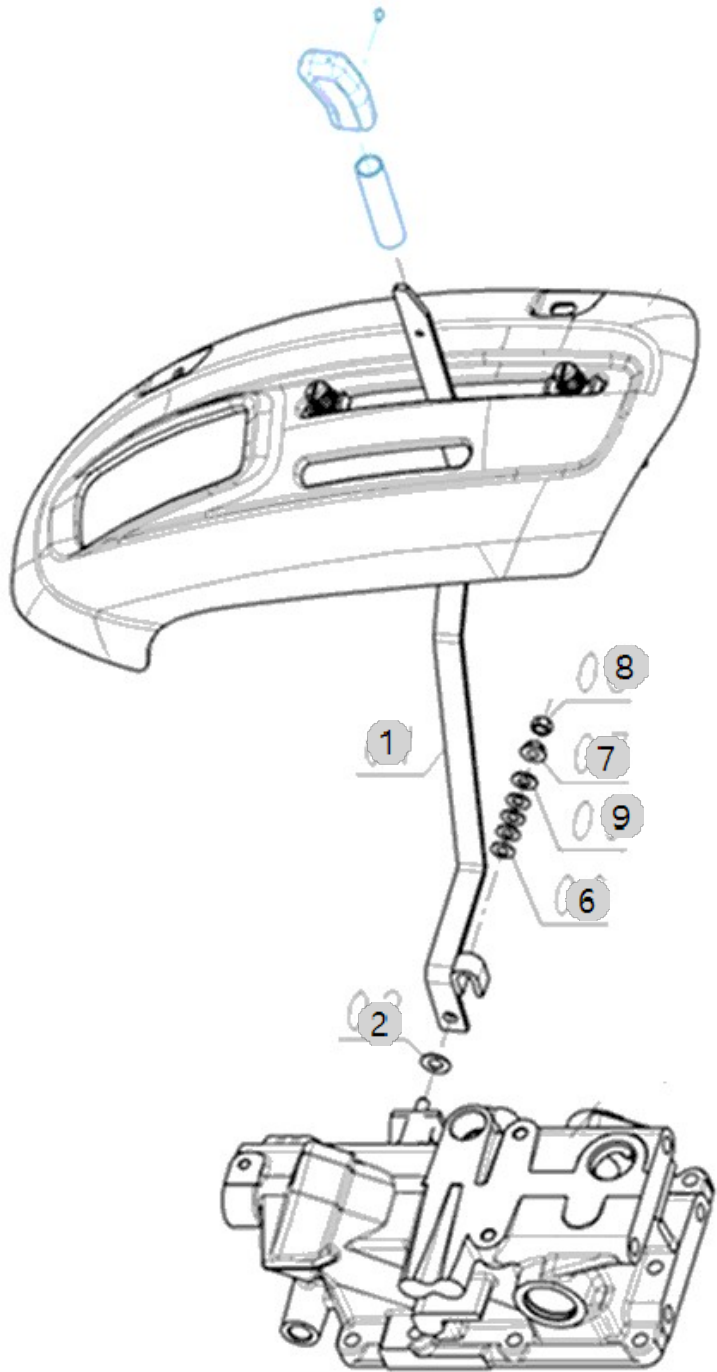
F10064-B

2610 HST TM
(AC01986)

(POSITION CONTROL LEVER)

Year/Month

2022-12-14



F10070-B

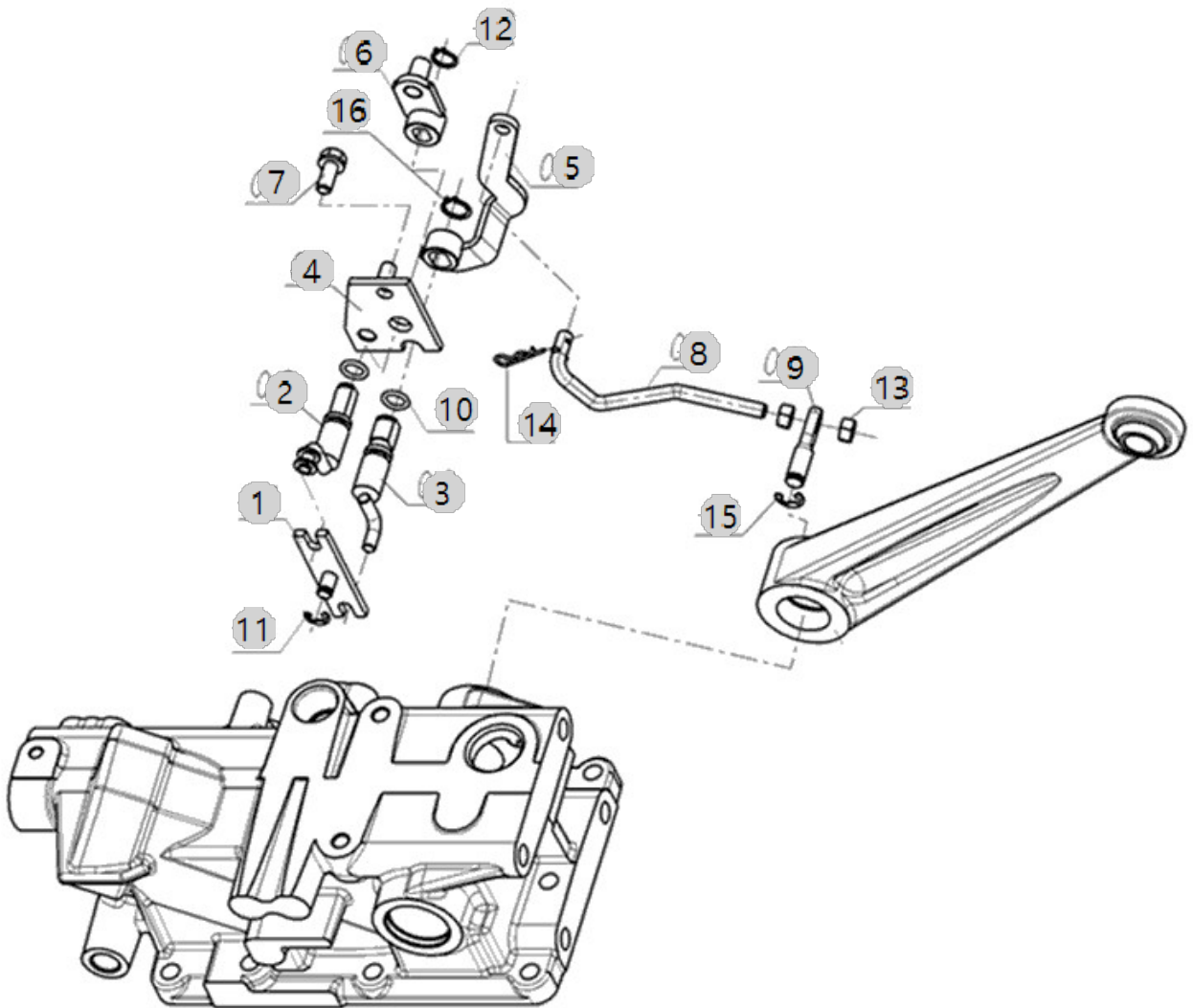
2610 HST TM
(AC01986)

(SHAFT, CONTROL LEVER)

Year/Month

2022-12-14

POSITION



F10080-B

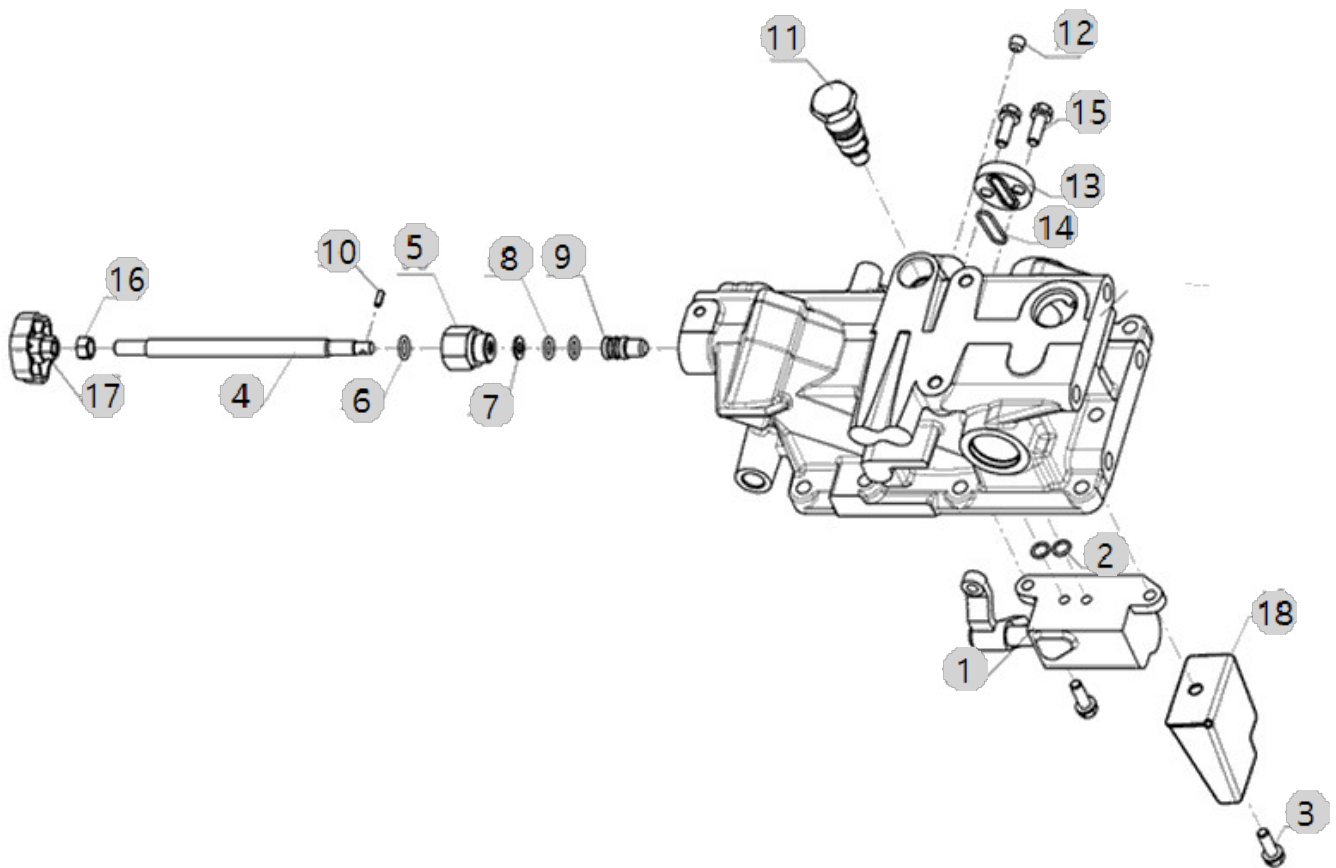
2610 HST TM
(AC01986)

(HYD VALVE)

Year/Month

2022-12-14

POSITION



F10120

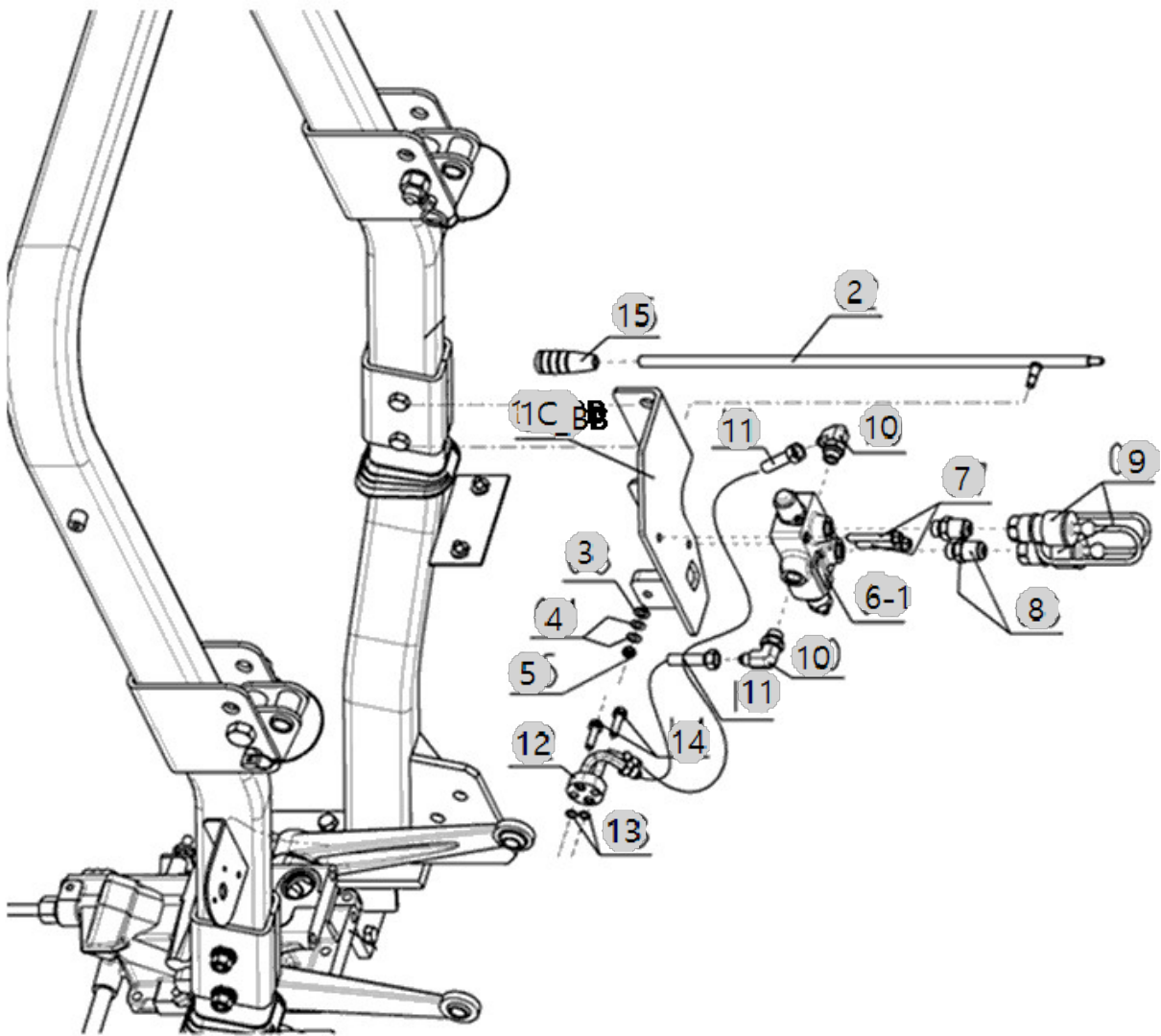
2610 HST TM
(AC01986)

(REAR SCV)

Year/Month

2022-12-14

2 PORT - OPTION



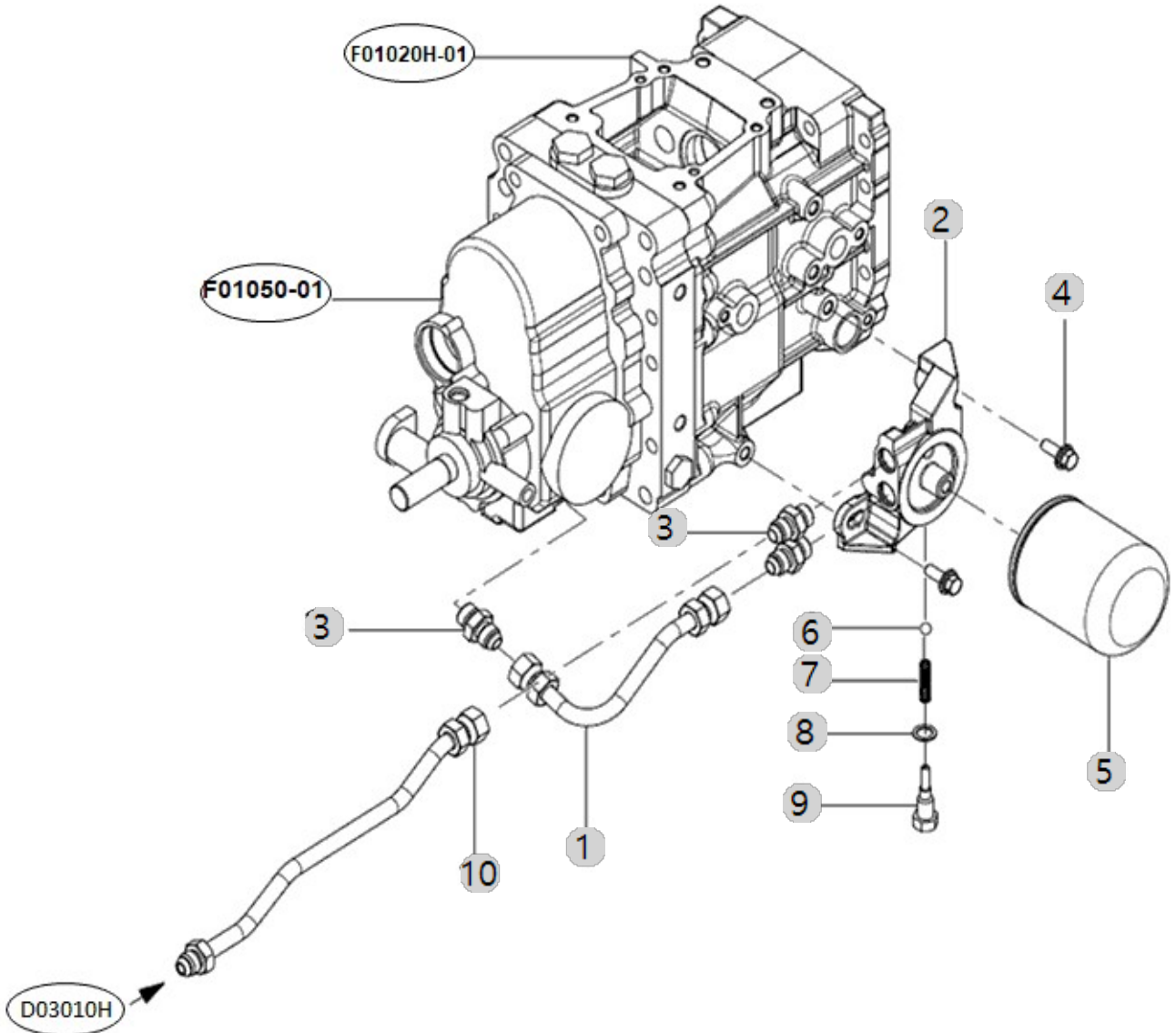
F10160H

2610 HST TM
(AC01986)

HYDRAULIC OIL LINE, HST

Year/Month

2022-12-14



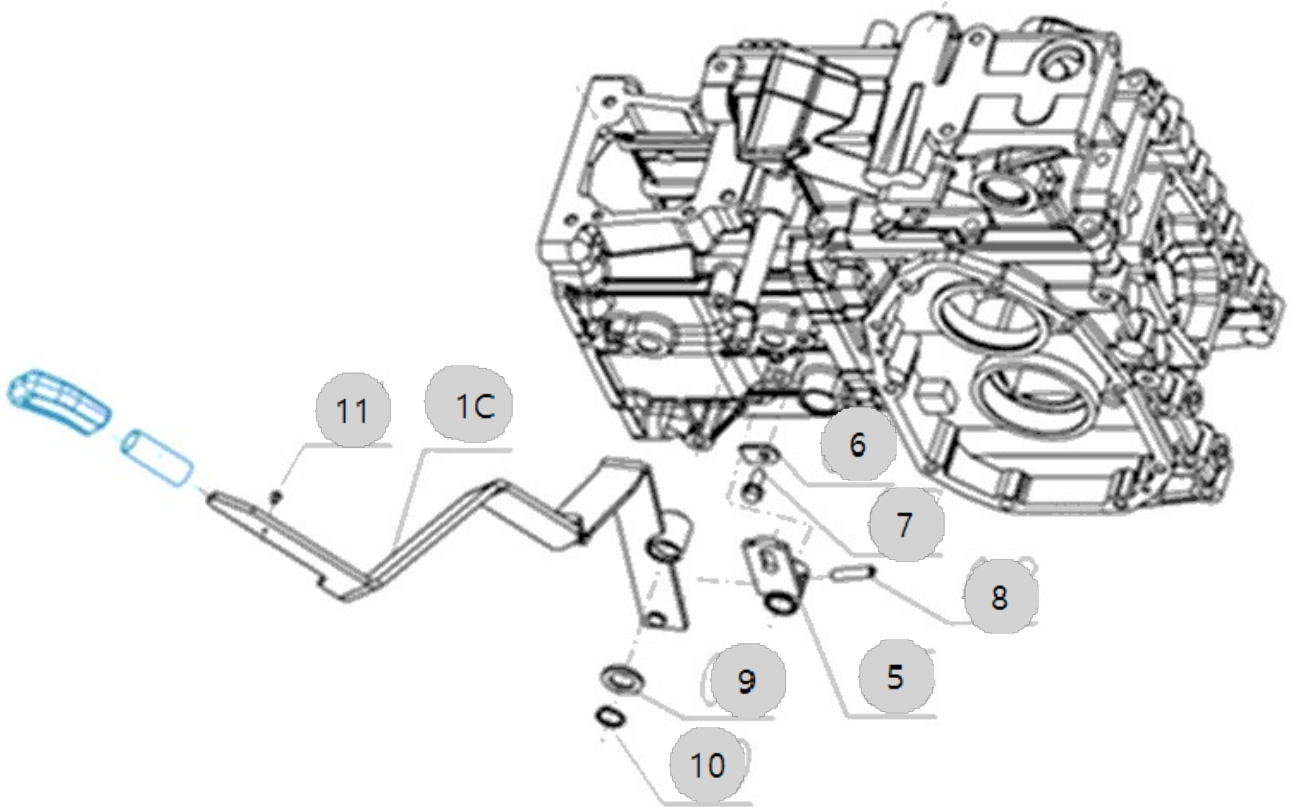
F11020-B

2610 HST TM
(AC01986)

(RANGE SHIFT LEVER)

Year/Month

2022-12-14



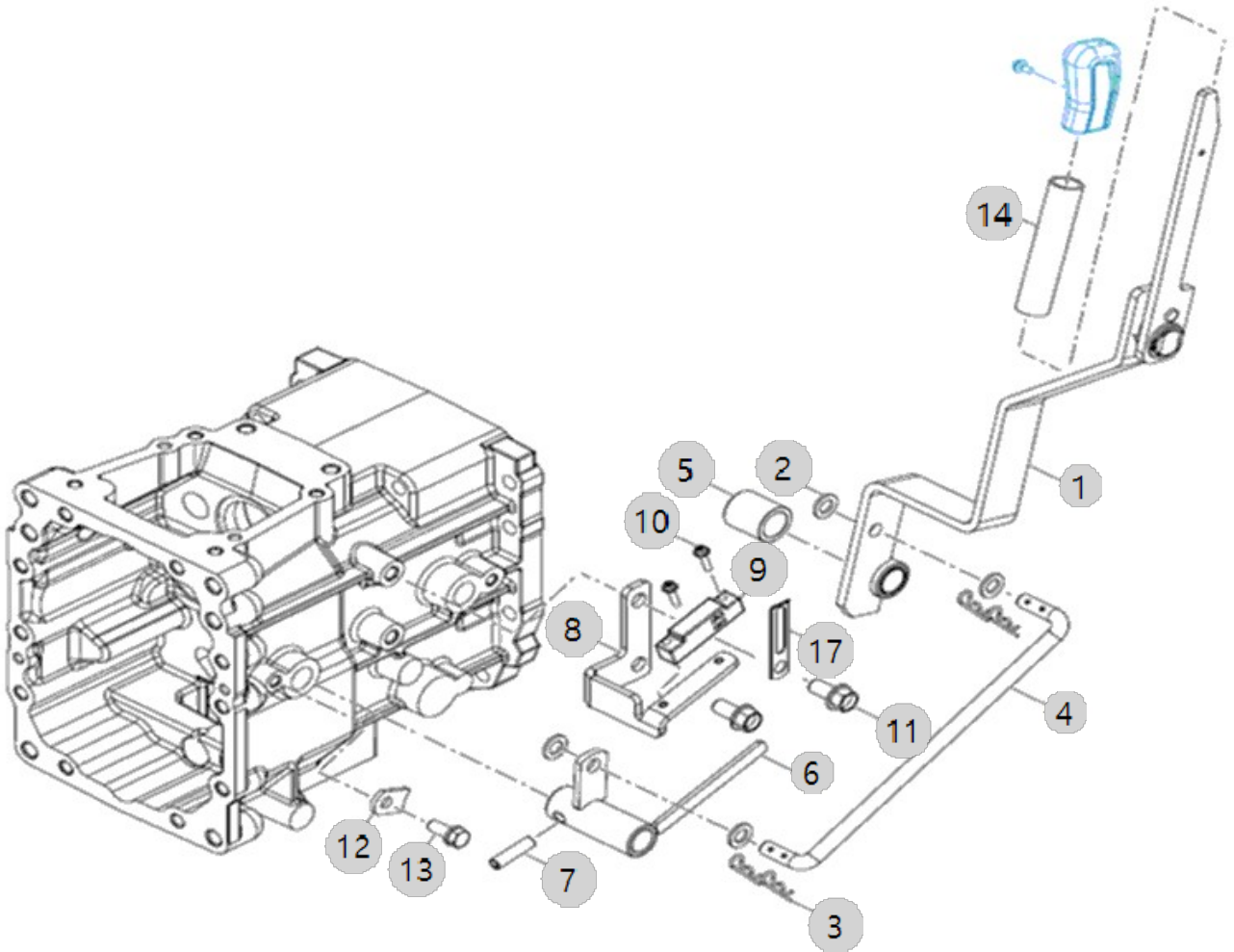
F11030

2610 HST TM
(AC01986)

(PTO GEAR SHIFT LEVER)

Year/Month

2022-12-14



F11030 2610 HST TM (AC01986)		(PTO GEAR SHIFT LEVER)				Year/Month 2022-12-14
순번 (NO)	부품번호 (PART NO)	품명 (PART NAME)	품명 (PART NAME)	수량 (QTY)	규격 (SPEC)	비고 (REMARK)
1	TA00051666A	PTO레버조합(00-EC)	ASS.Y, PTO LEVER	1		
1	TA00060301B	PTO레버조합	PTO LEVER ASS'Y(2510L)	1		
2	22117-100000	평와셔(소형)	WASHER, PLAIN (Φ 10)	4	M10	
3	22360-100000	스냅핀 10	PIN , SNAP (10Φ)	4	D10	
4	TA00050552C	PTO 로드	ROD	1		
4	FE69060000C	PTO로드	ROD, PTO	1	D10	
4	TA00050552D	PTO 로드	ROD	1		
5	FE69030000B	칼라		1	OD27.2X3.9T	
5	FE69030000A	칼라	Collar	1	OD27.2X3.9T	
6	TA00050548E	PTO 변속암 레버(3)	LEVER, PTO SHIFT	1		
6	FE69080000F	PTO변속암 레버	LEVER, SHIFT ARM	1		
7	22351-080030	스프링핀	PIN, SPRING (8-30)	1		
8	TA00059123A	센서취부 브래킷(소형)	BRACKET, SENSOR FIX	1		
9	HA00001579A	비접촉스위치(GND출력)	BRAKE SWITCH	1		
10	26023-040202	와셔조립납비작은나사(SW+PW)	SCREW,CAPTIVE WASHER CAP	2	M4X20	
11	26106-100202	육각플랜지볼트	HEX BOLT, (10-20)	2	M10XP1.5X20	
12	RN41050000A4	킴플레이트	PLATE, KEEP	1	T3.2	
12	RN41050000B4	킴플레이트	PLATE, KEEP	1	T3.2	
13	26013-080202	와셔조립육각볼트(+SW)	Bolt, Hexa (8-20)	1	M8XP1.25X20	
14	TA00053460A	레버 호스(PTO)	HOSE, LEVER	1		
17	TCD5320000B4	배선클램프D	WIRE HARNESS CLAMP D	1	T1.0	
17	TCD5320000A4	배선클램프D	Clamp, Wire D	1		
17	TCD5320000C4	배선클램프D	WIRE HARNESS CLAMP D	1	T1.0	

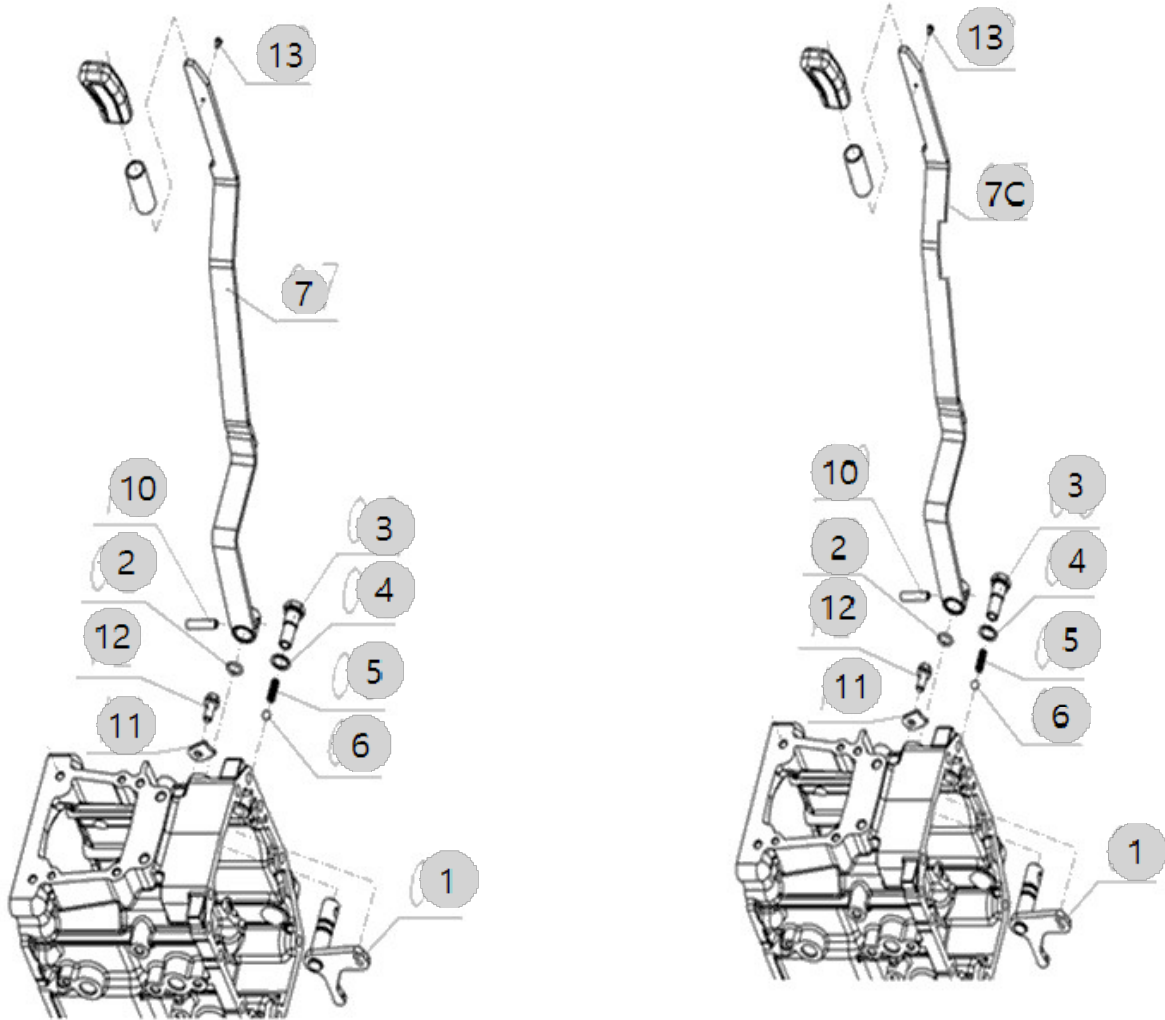
F11080

2610 HST TM
(AC01986)

(4WD LEVER)

Year/Month

2022-12-14



2610 FWD LEVER

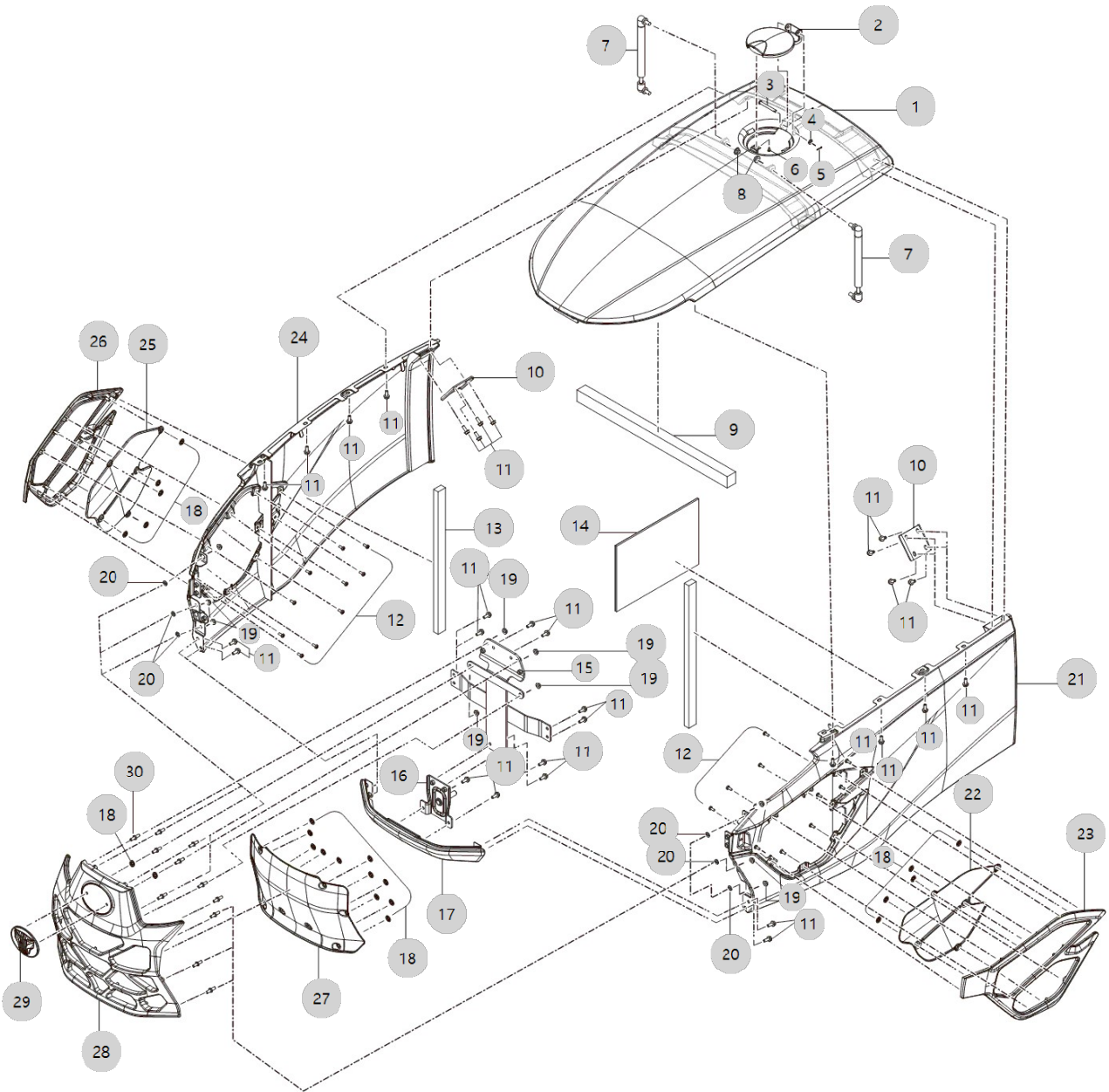
G01020

2610H US_FL
(AC02170)

BONNET

Year/Month

2022-12-14



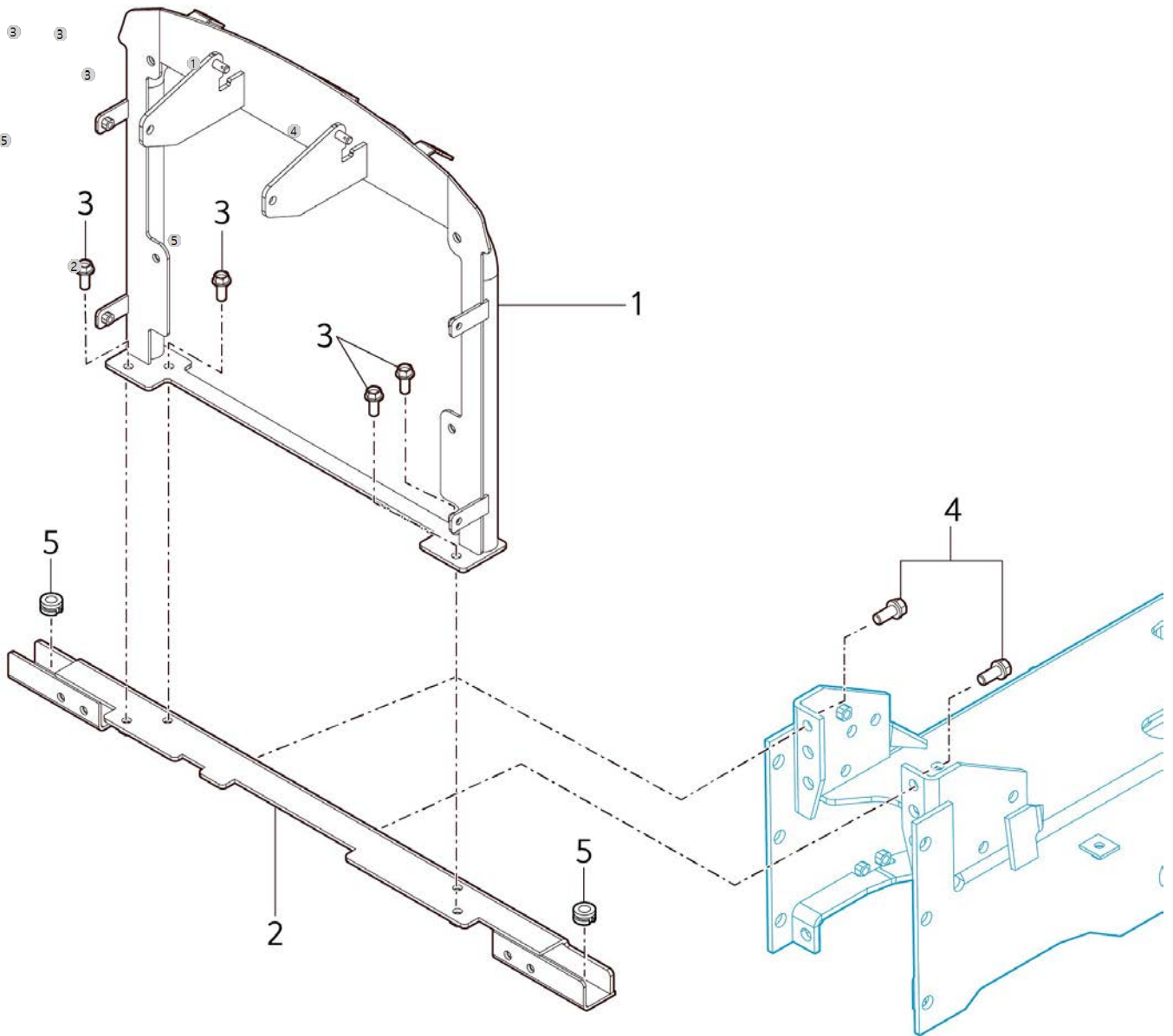
G01060

2610H US_FL
(AC02170)

FIXED BRACKET, BONNE

Year/Month

2022-12-14



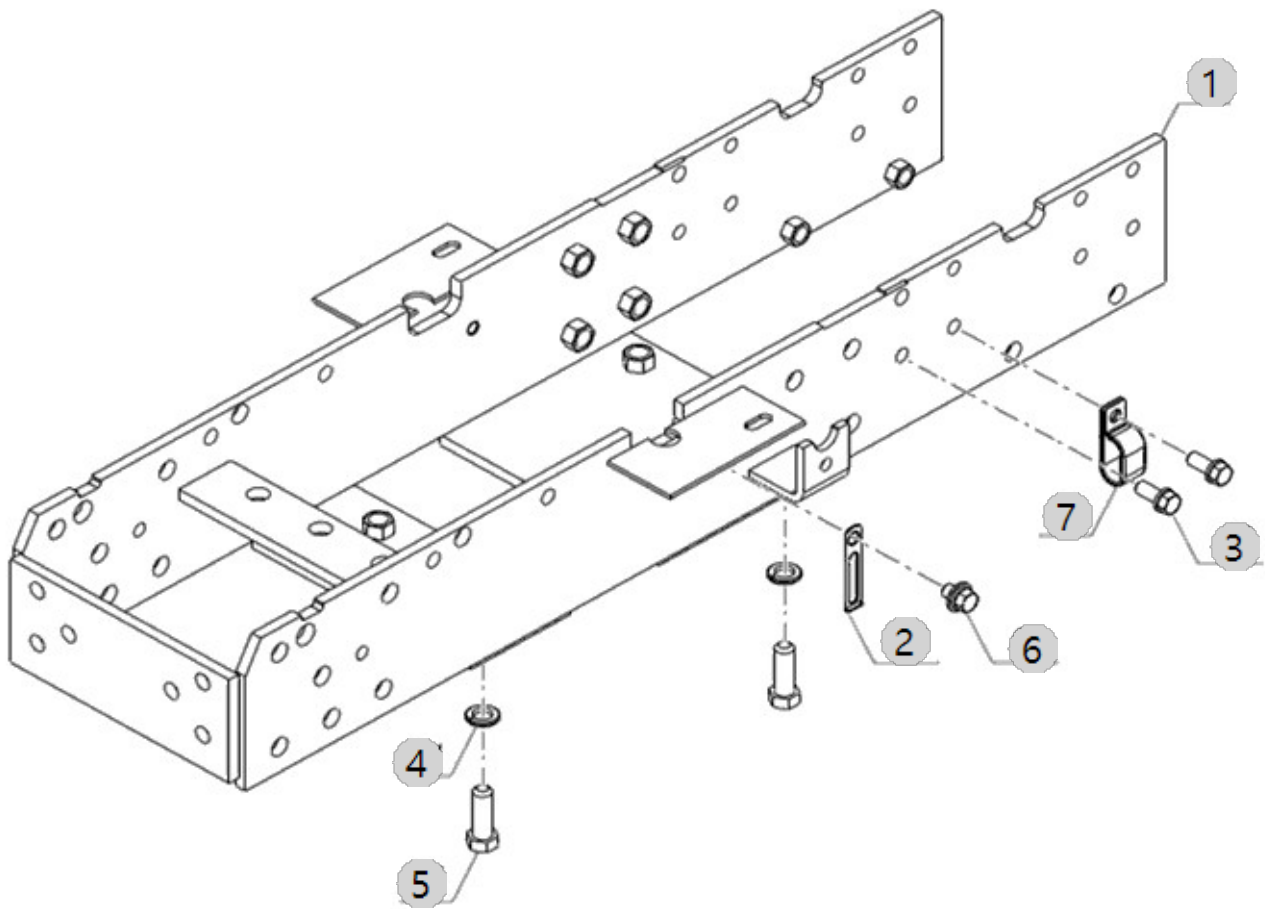
G01080

2610H US_FL
(AC02170)

BRACKET, FRONT AXLE

Year/Month

2022-12-14



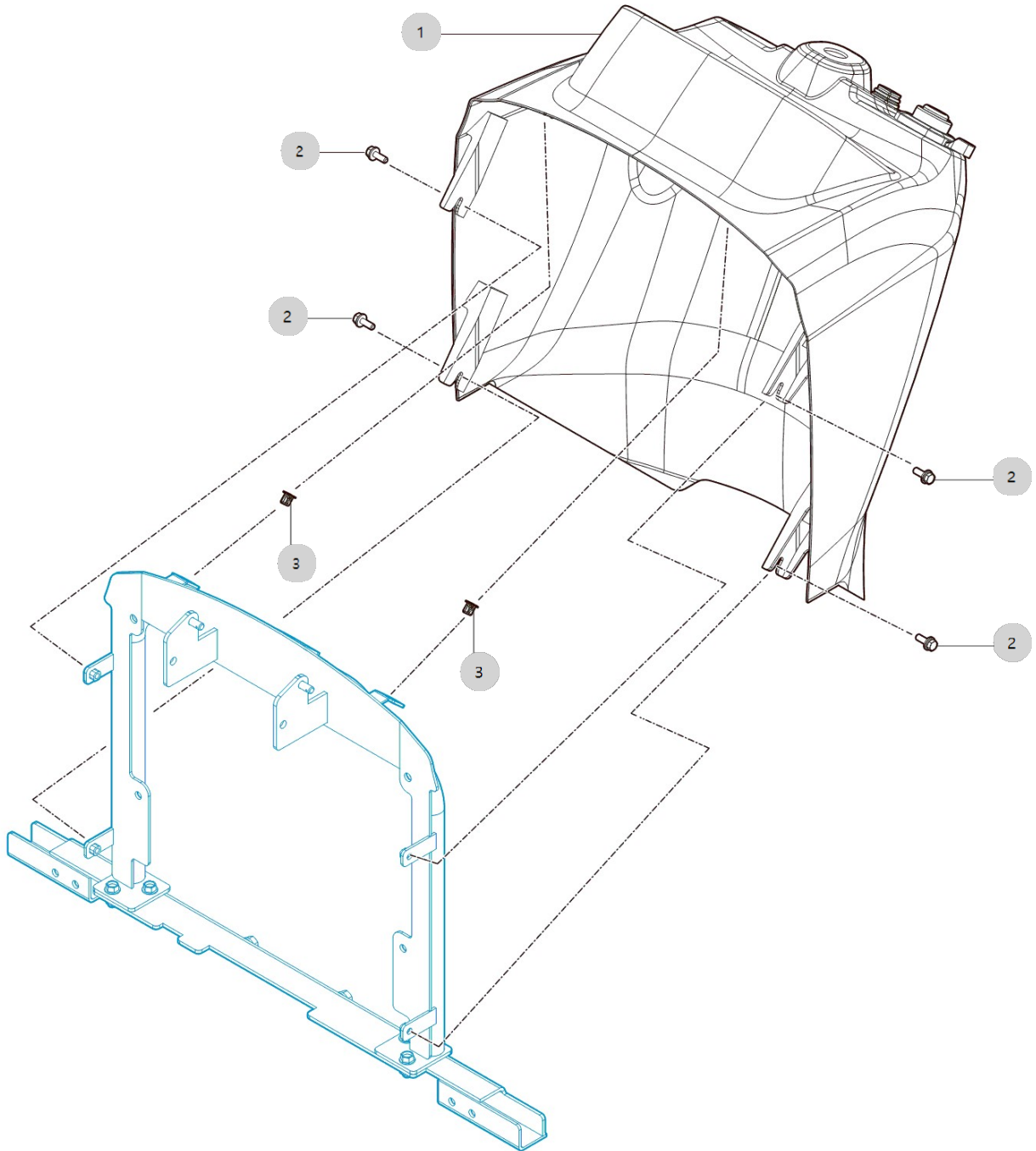
G04020

2610H US_FL
(AC02170)

DASHBOARD

Year/Month

2022-12-14



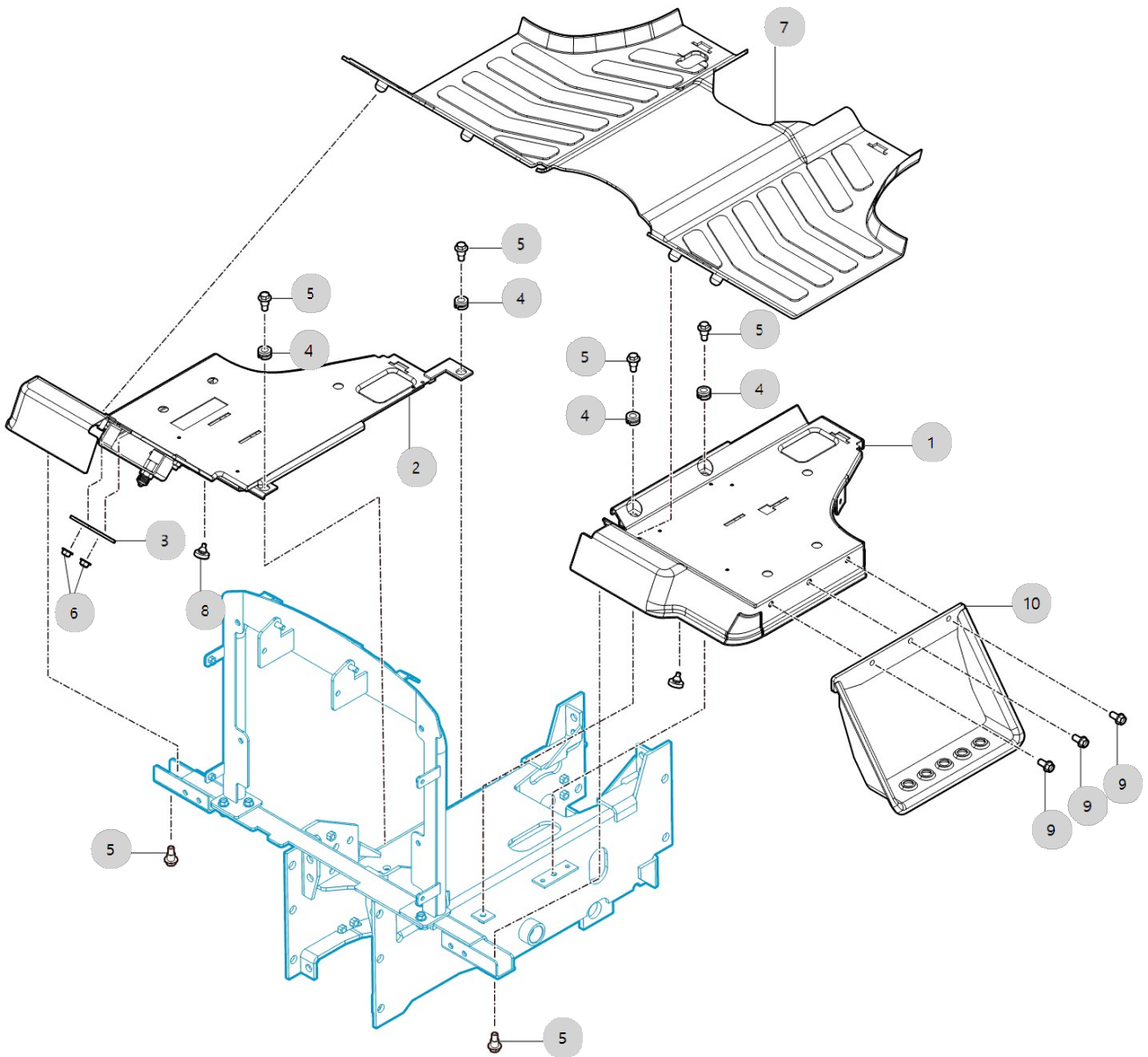
G04060

2610H US_FL
(AC02170)

SUB STEP

Year/Month

2022-12-14



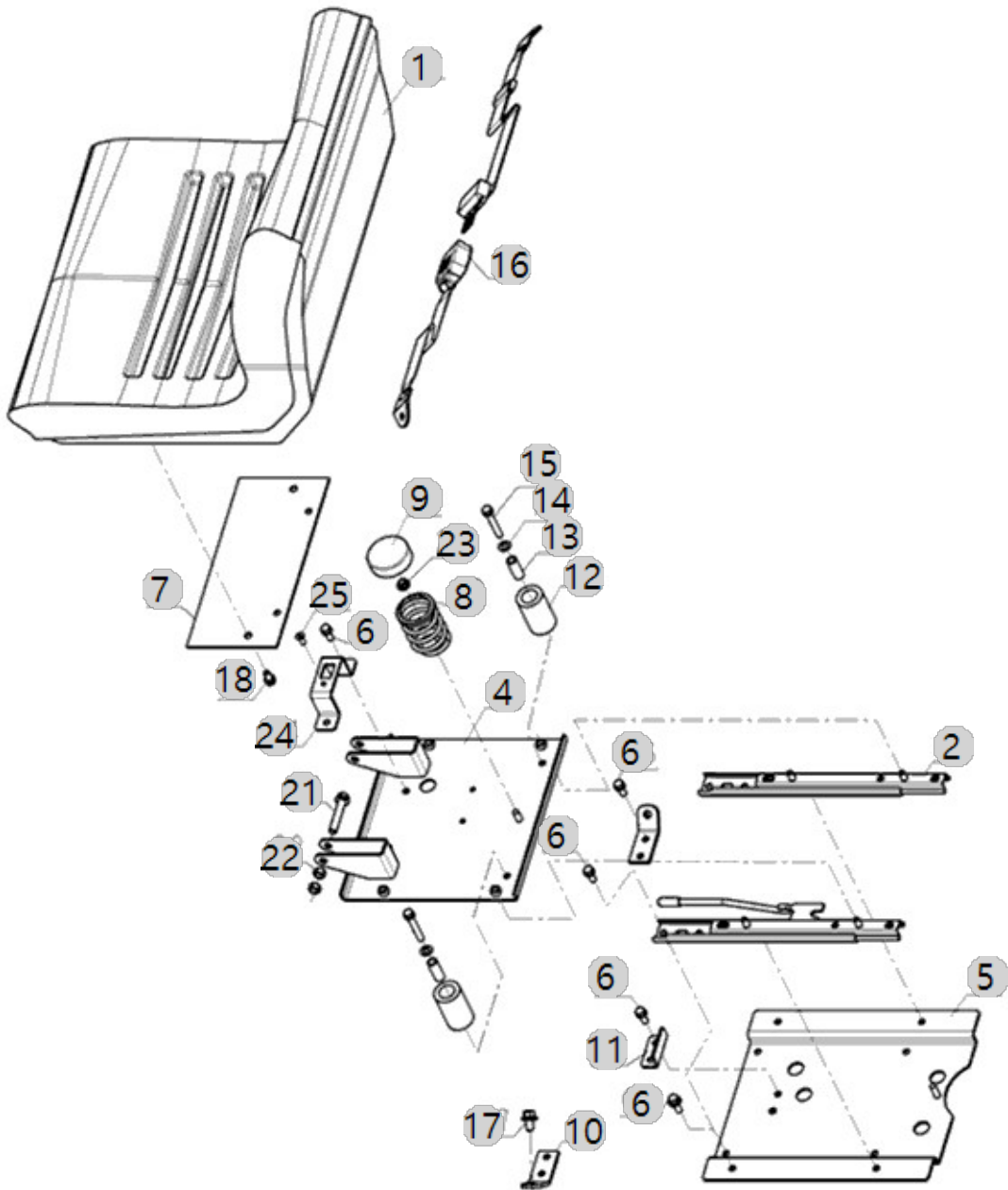
G04070

2610H US_FL
(AC02170)

DRIVER'S SEAT

Year/Month

2022-12-14



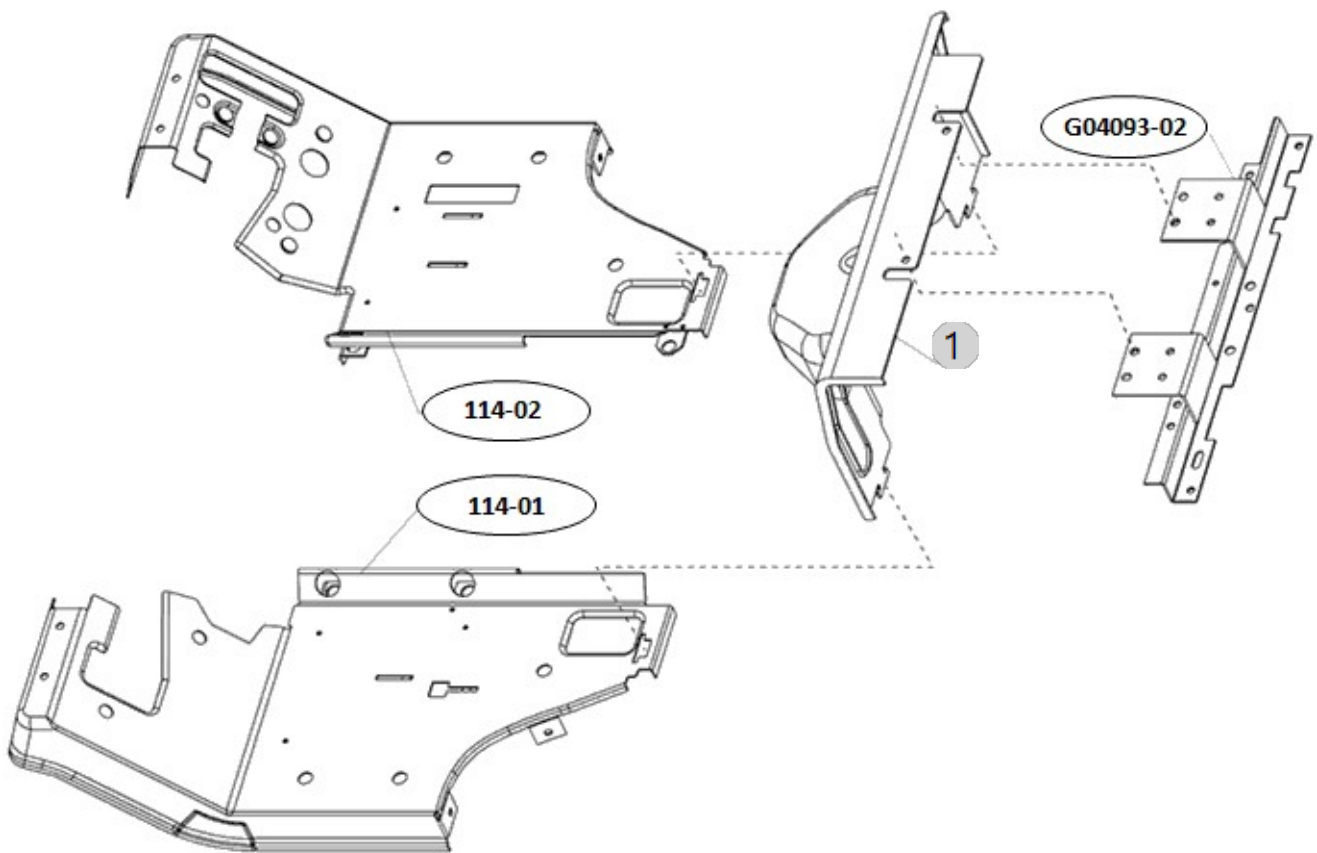
G04071

2610H US_FL
(AC02170)

FLOOR SEAT

Year/Month

2022-12-14



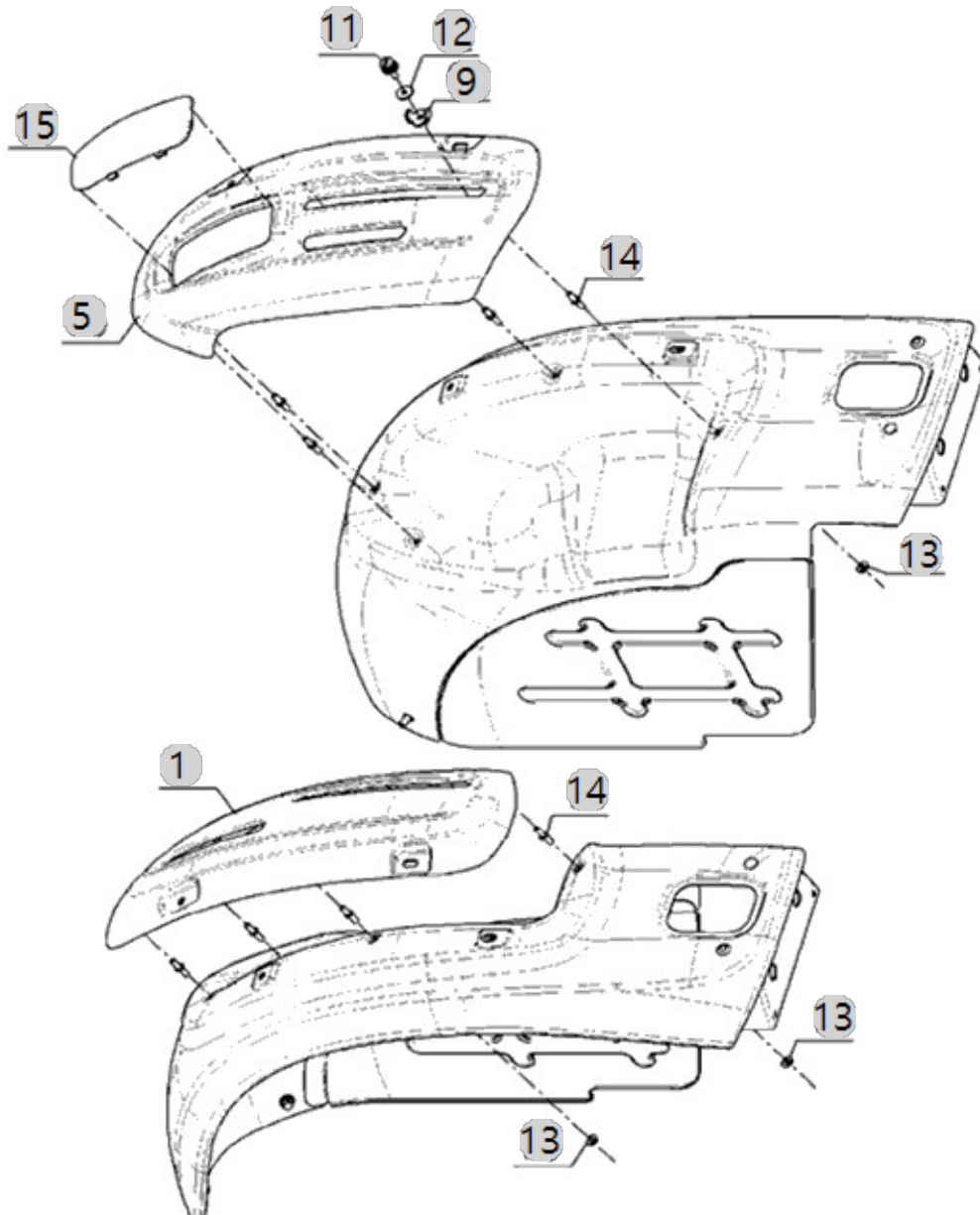
G04083H

2610H US_FL
(AC02170)

LEVER GUIDE

Year/Month

2022-12-14



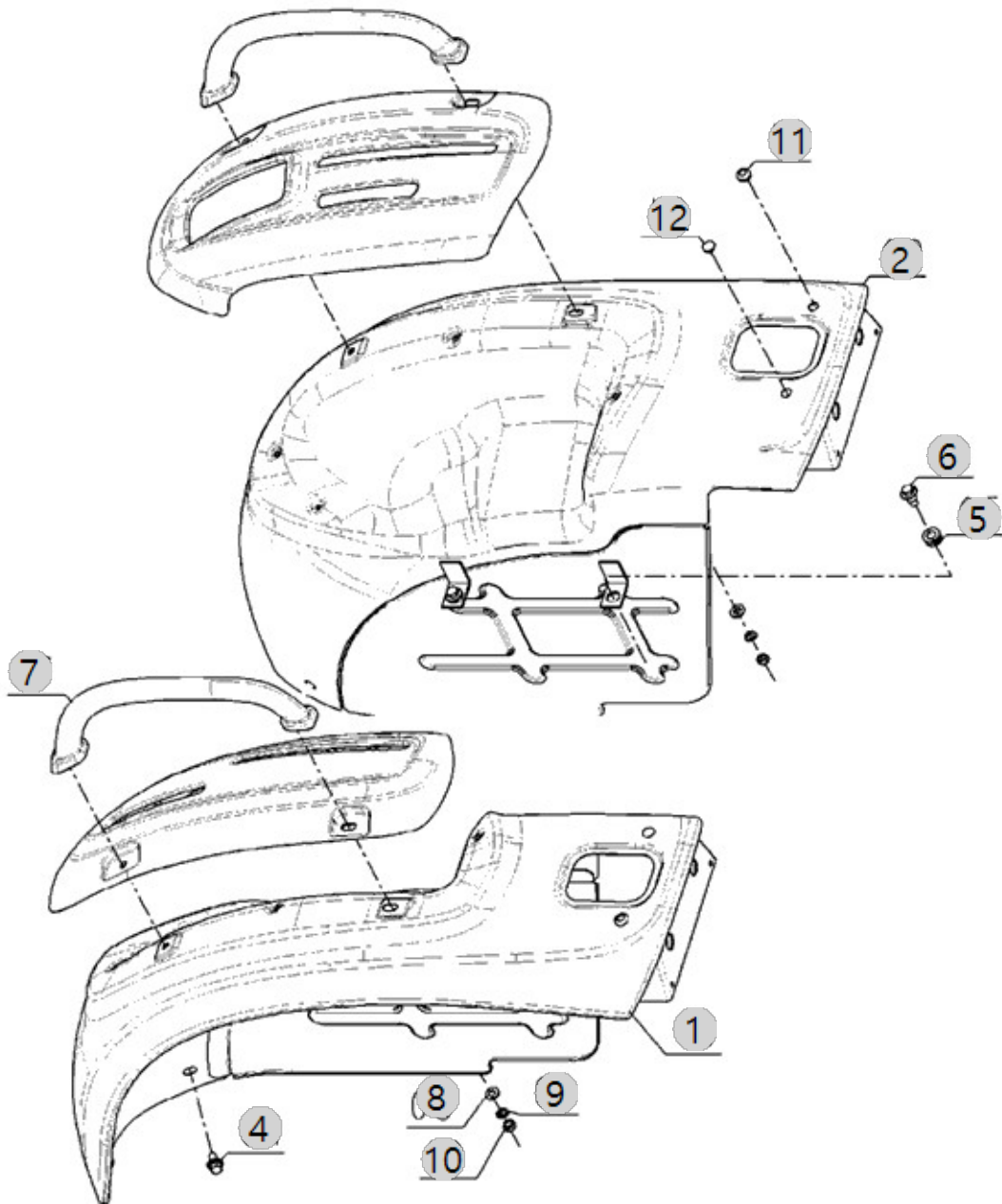
G04090

2610H US_FL
(AC02170)

FENDER

Year/Month

2022-12-14



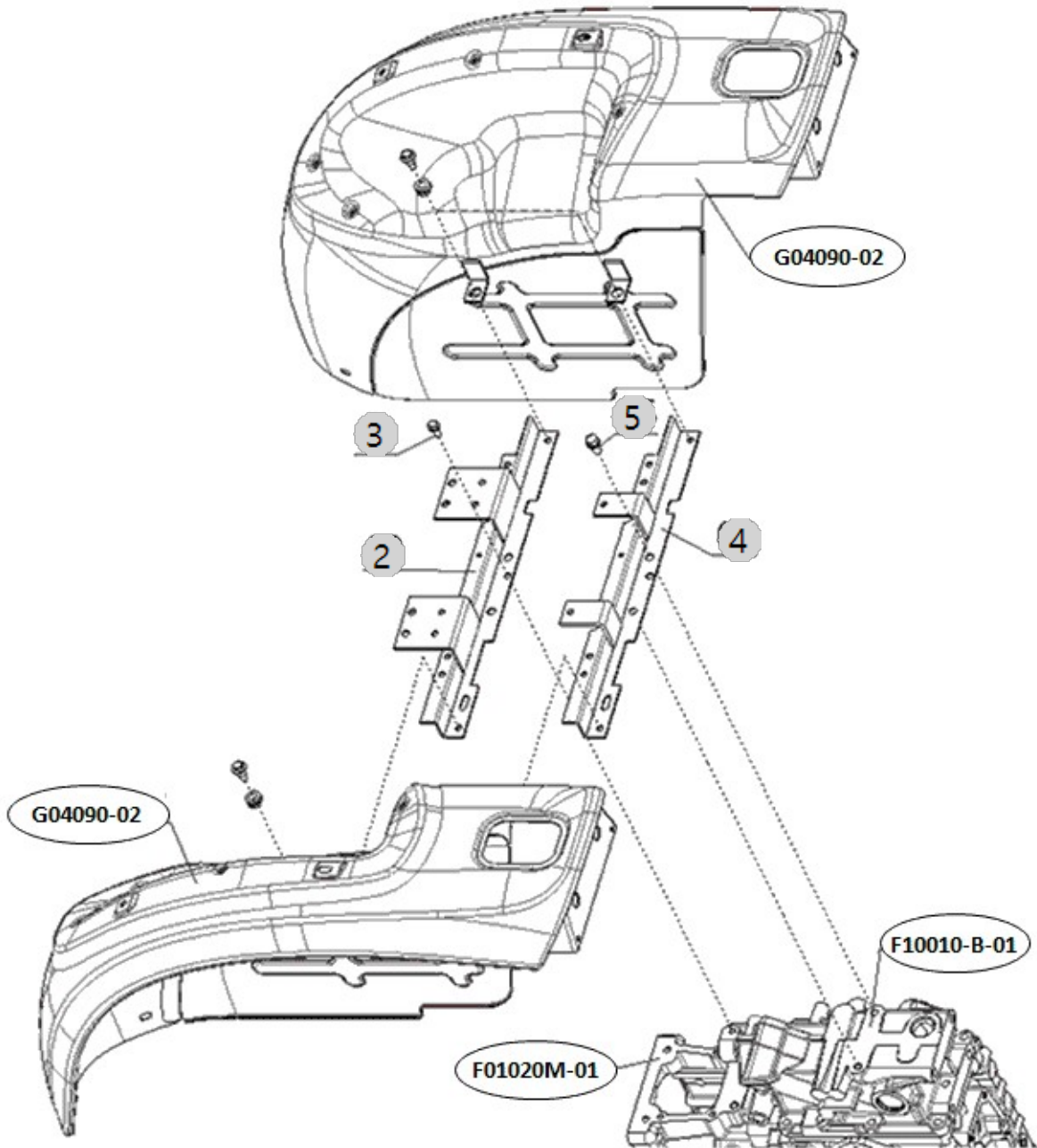
G04093

2610H US_FL
(AC02170)

FENDER STAY

Year/Month

2022-12-14



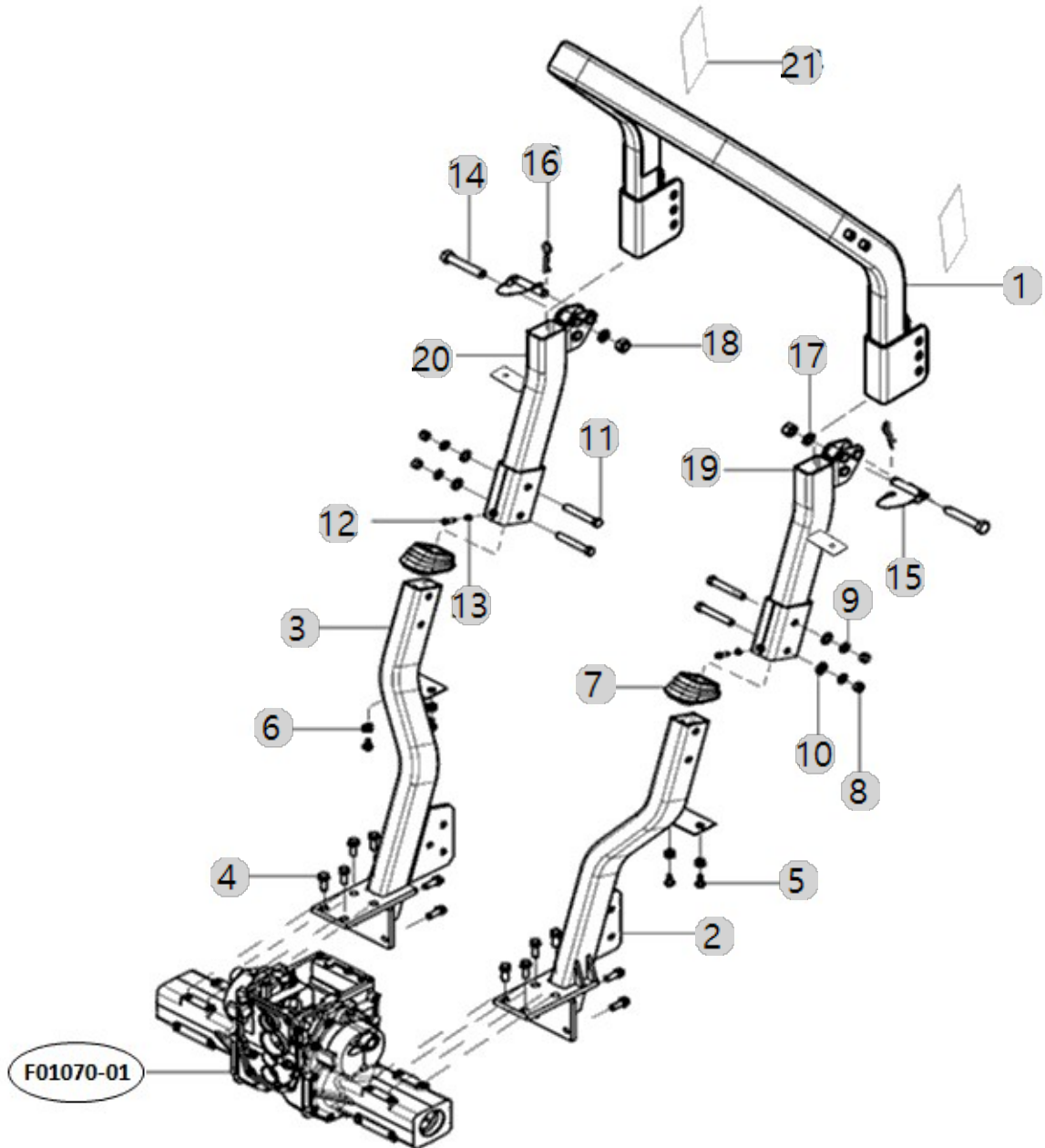
G04120-B

2610H US_FL
(AC02170)

ROPS

Year/Month

2022-12-14



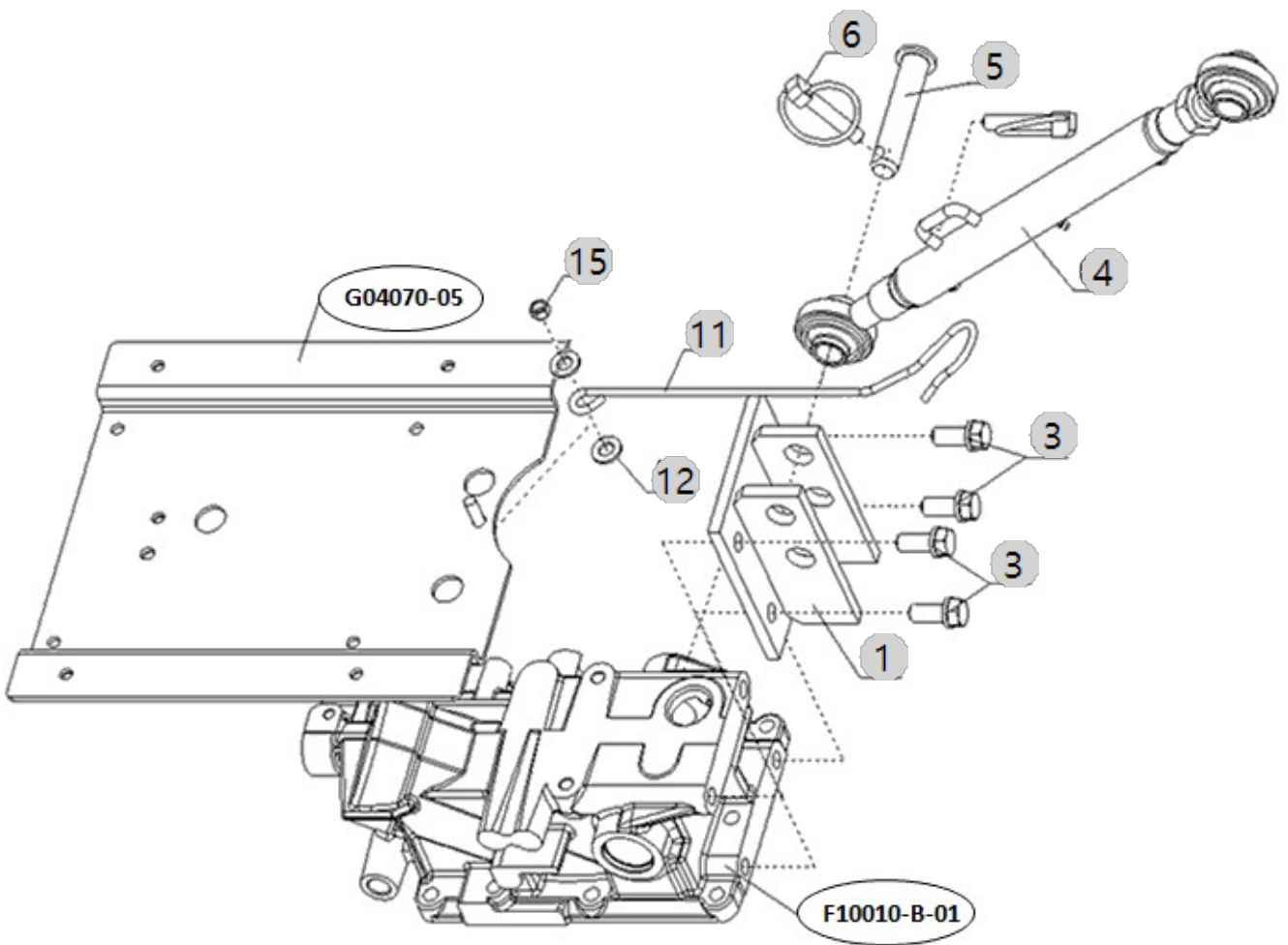
G05020

2610H US_FL
(AC02170)

TOP LINK

Year/Month

2022-12-14



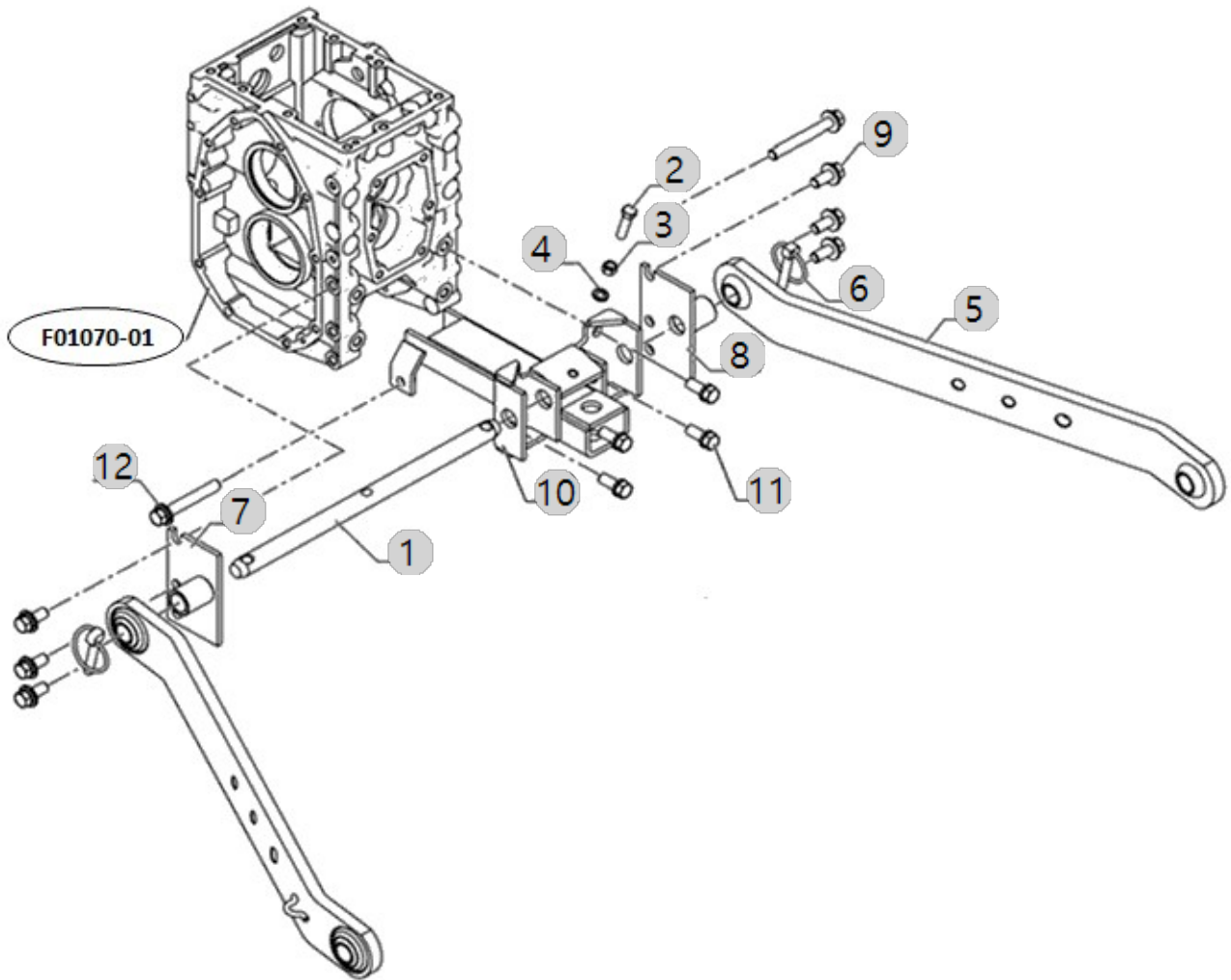
G05030

2610H US_FL
(AC02170)

LOWER LINK

Year/Month

2022-12-14



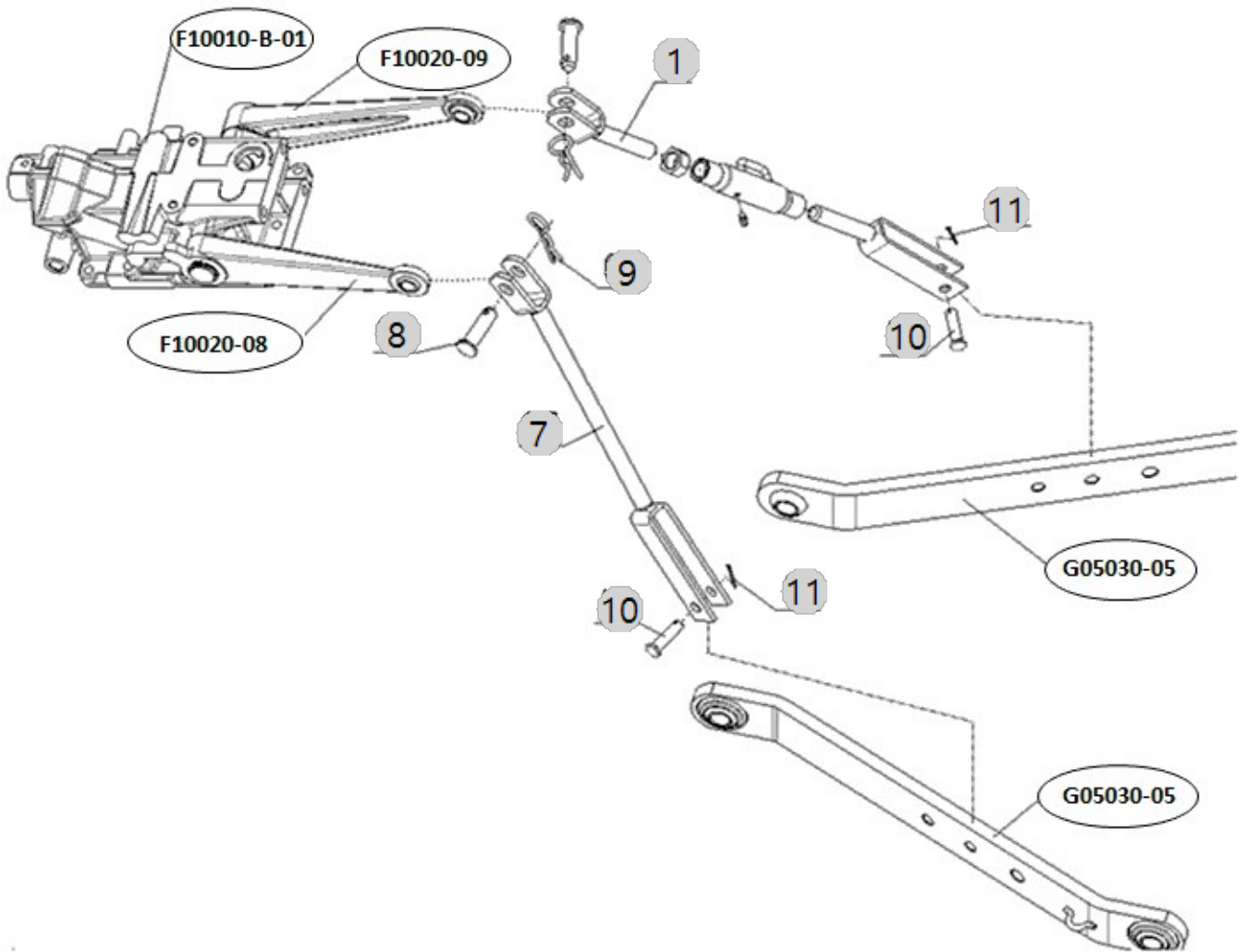
G05050

2610H US_FL
(AC02170)

LIFT LINK

Year/Month

2022-12-14



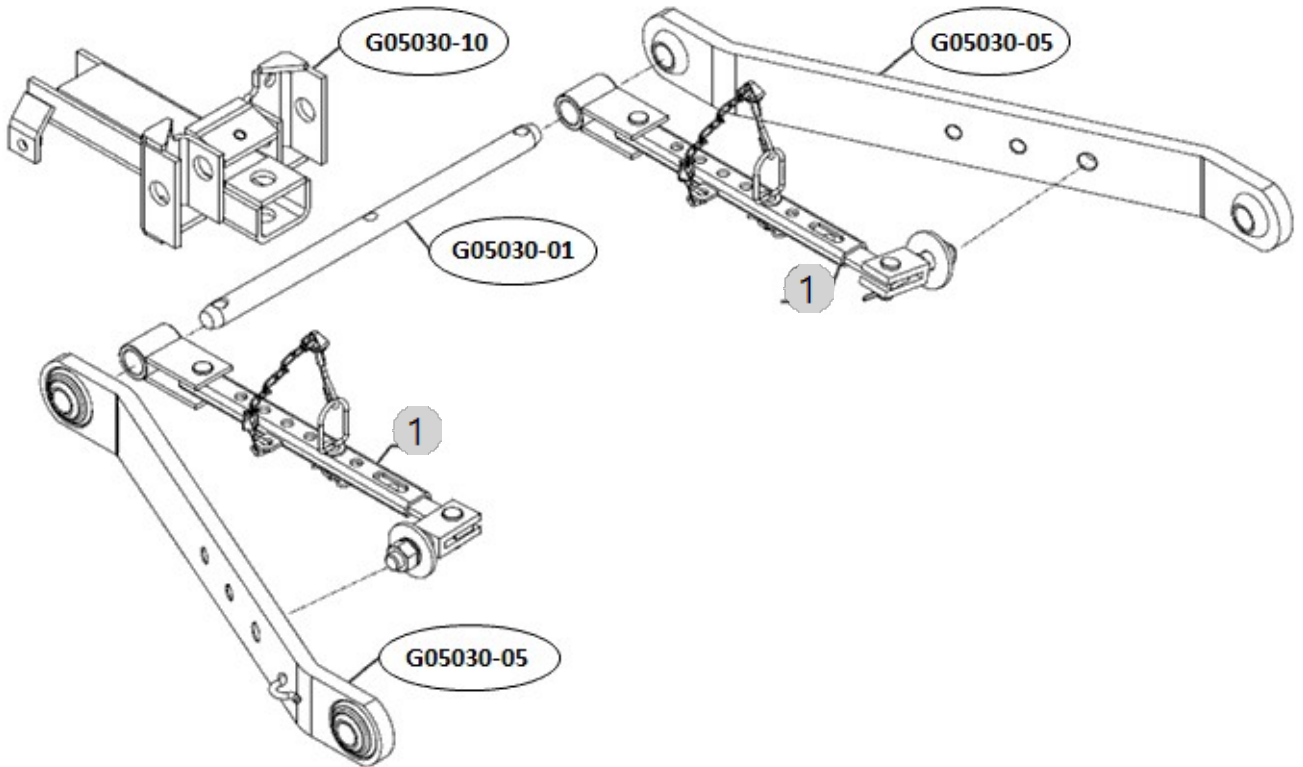
G05054-B

2610H US_FL
(AC02170)

CHECK CHAIN

Year/Month

2022-12-14



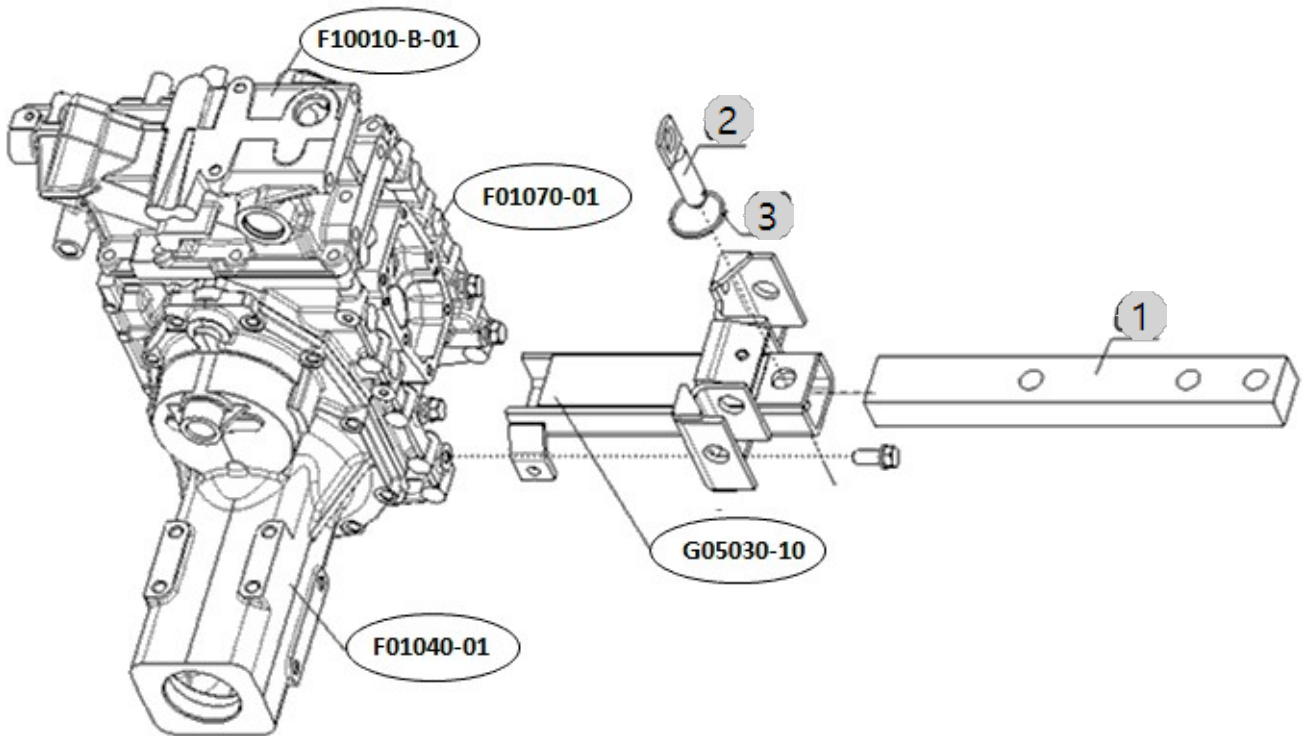
G05070

2610H US_FL
(AC02170)

DRAW BAR

Year/Month

2022-12-14



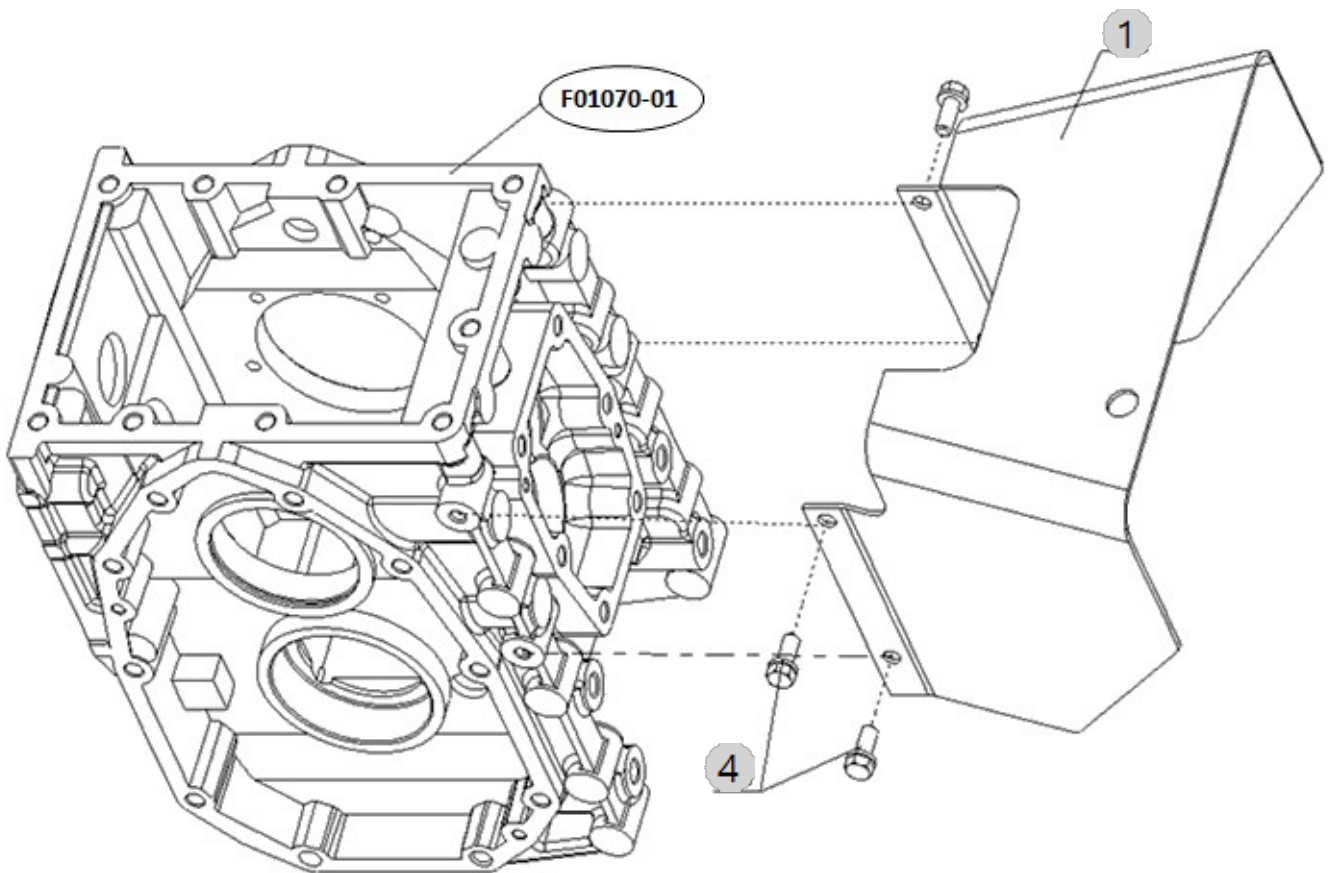
G05090

2610H US_FL
(AC02170)

PTO COVER

Year/Month

2022-12-14



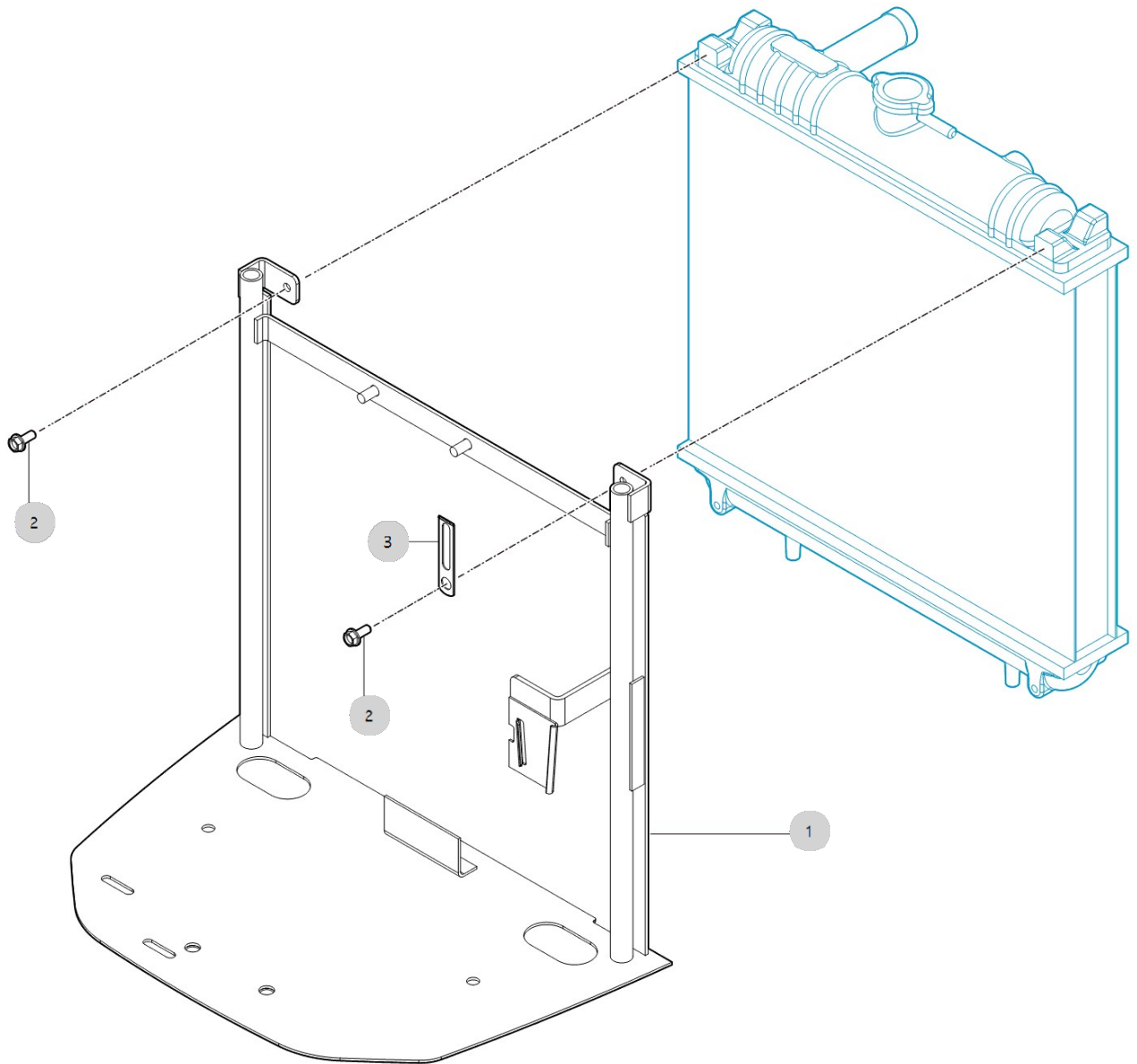
H01030

2610H US_FL
(AC02170)

BATTERY

Year/Month

2022-12-14



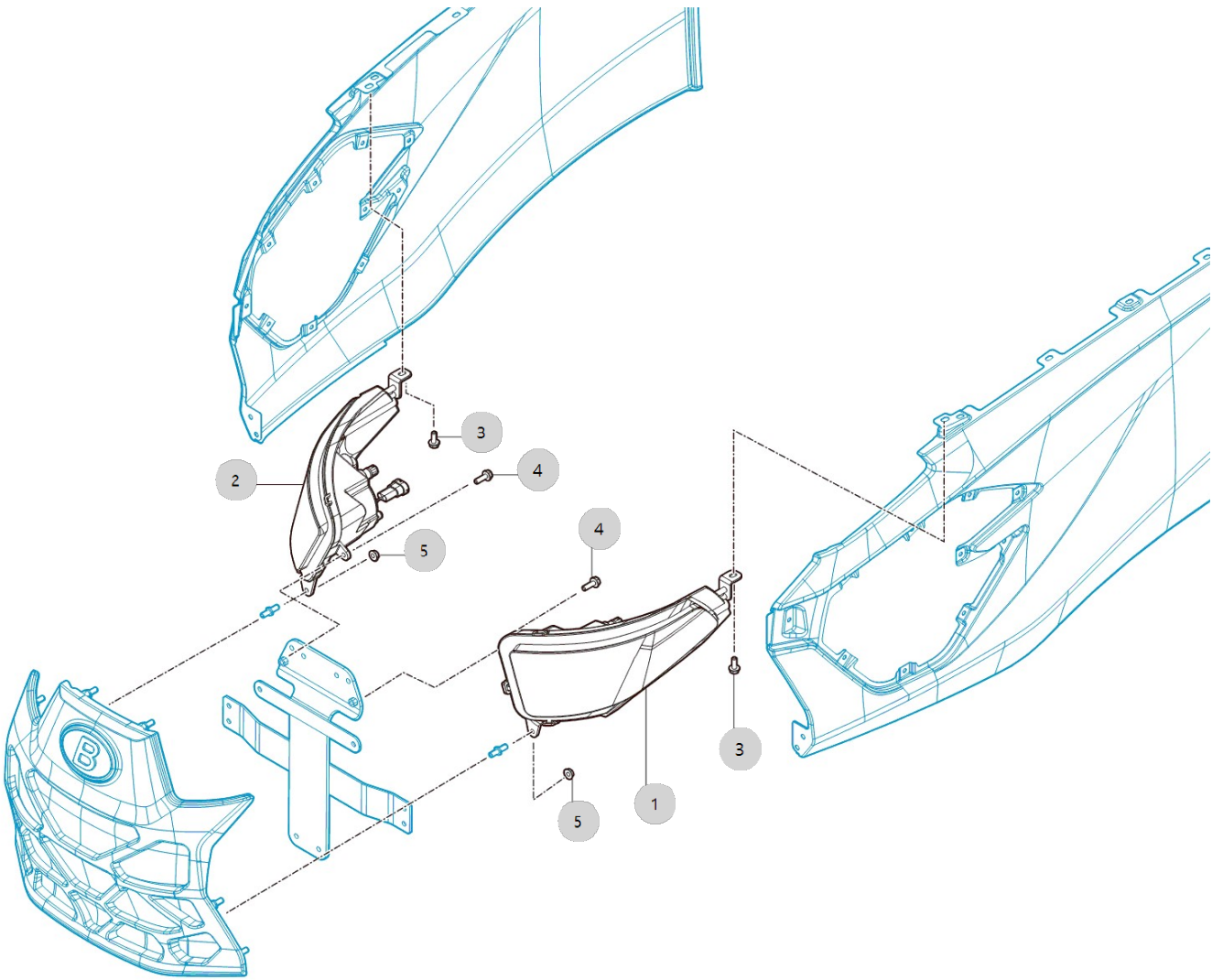
H02010

2610H US_FL
(AC02170)

HEADLIGHT

Year/Month

2022-12-14



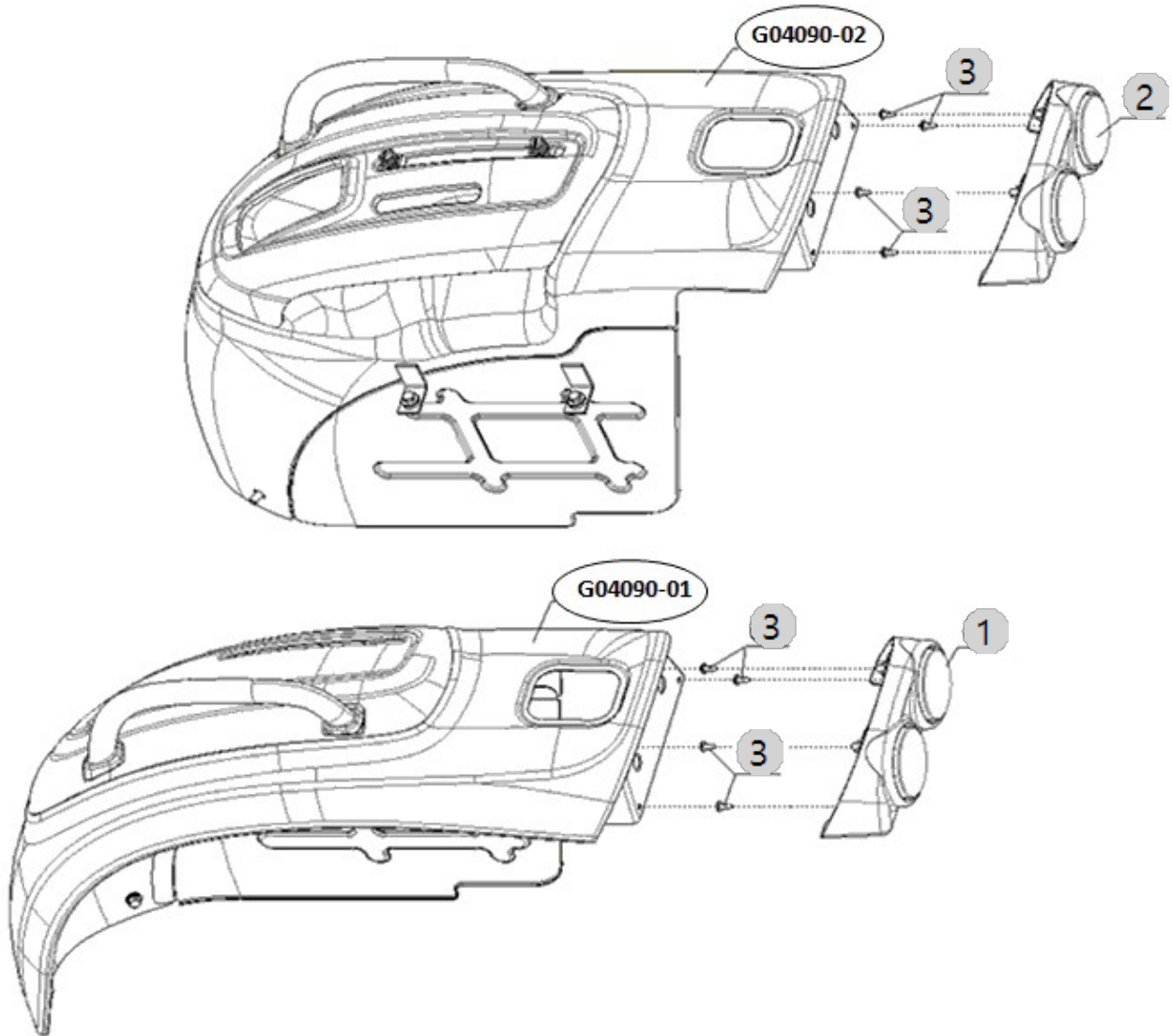
H02022

2610H US_FL
(AC02170)

COMBINATION LAMP/RR

Year/Month

2022-12-14



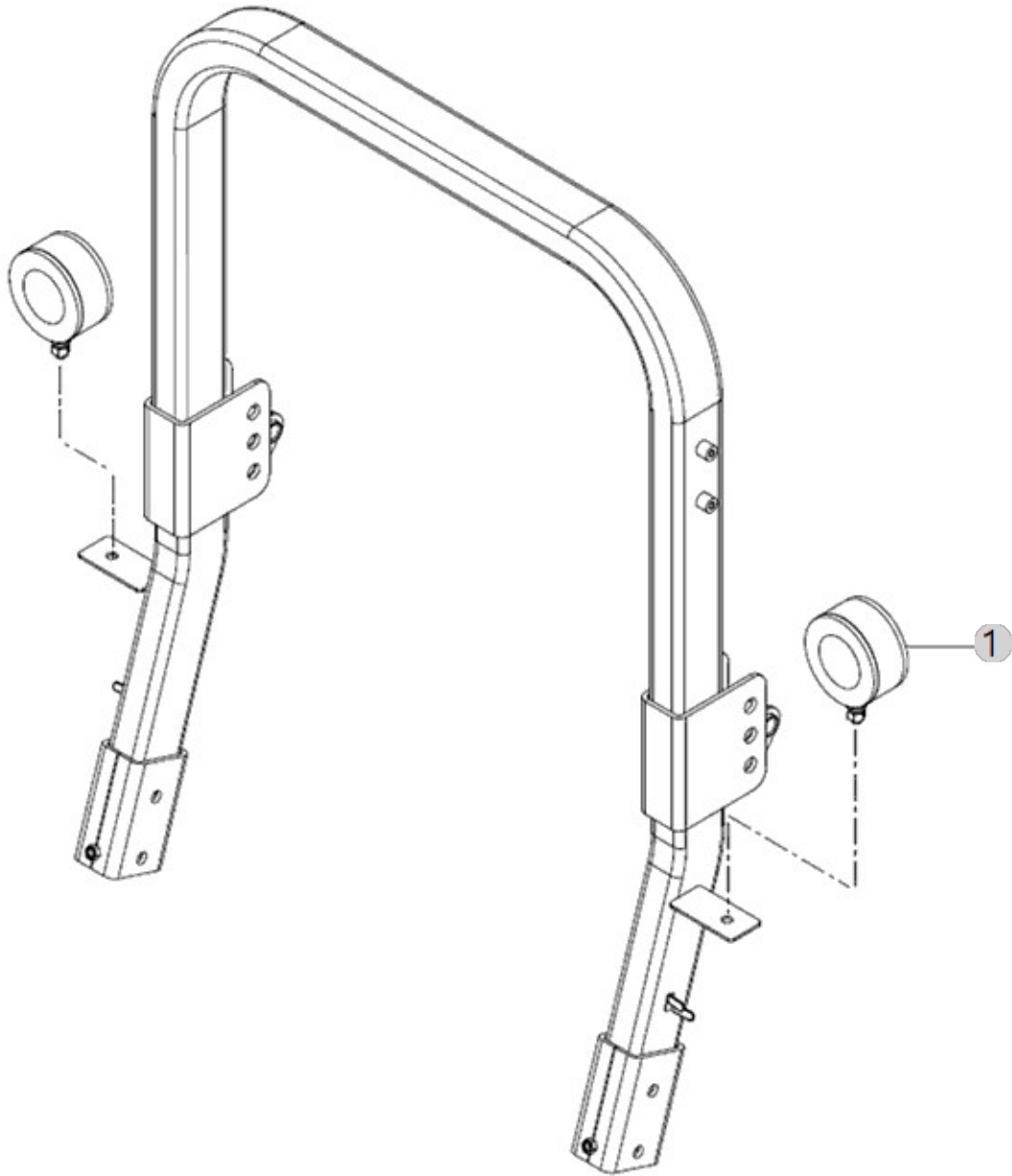
H02050

2610H US_FL
(AC02170)

TURN INDICATOR

Year/Month

2022-12-14



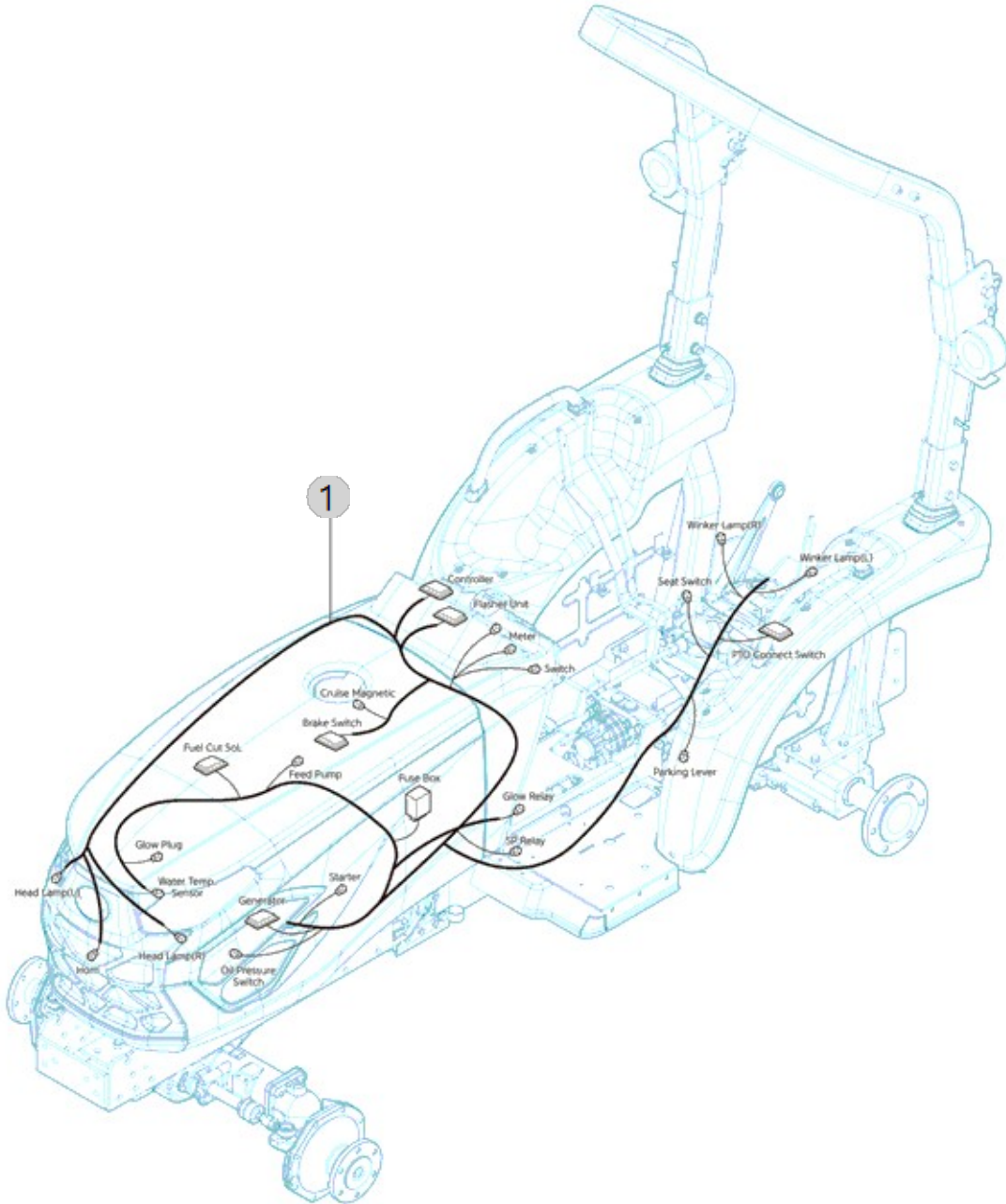
H03040

2610H US_FL
(AC02170)

MAIN HARNESS

Year/Month

2022-12-14



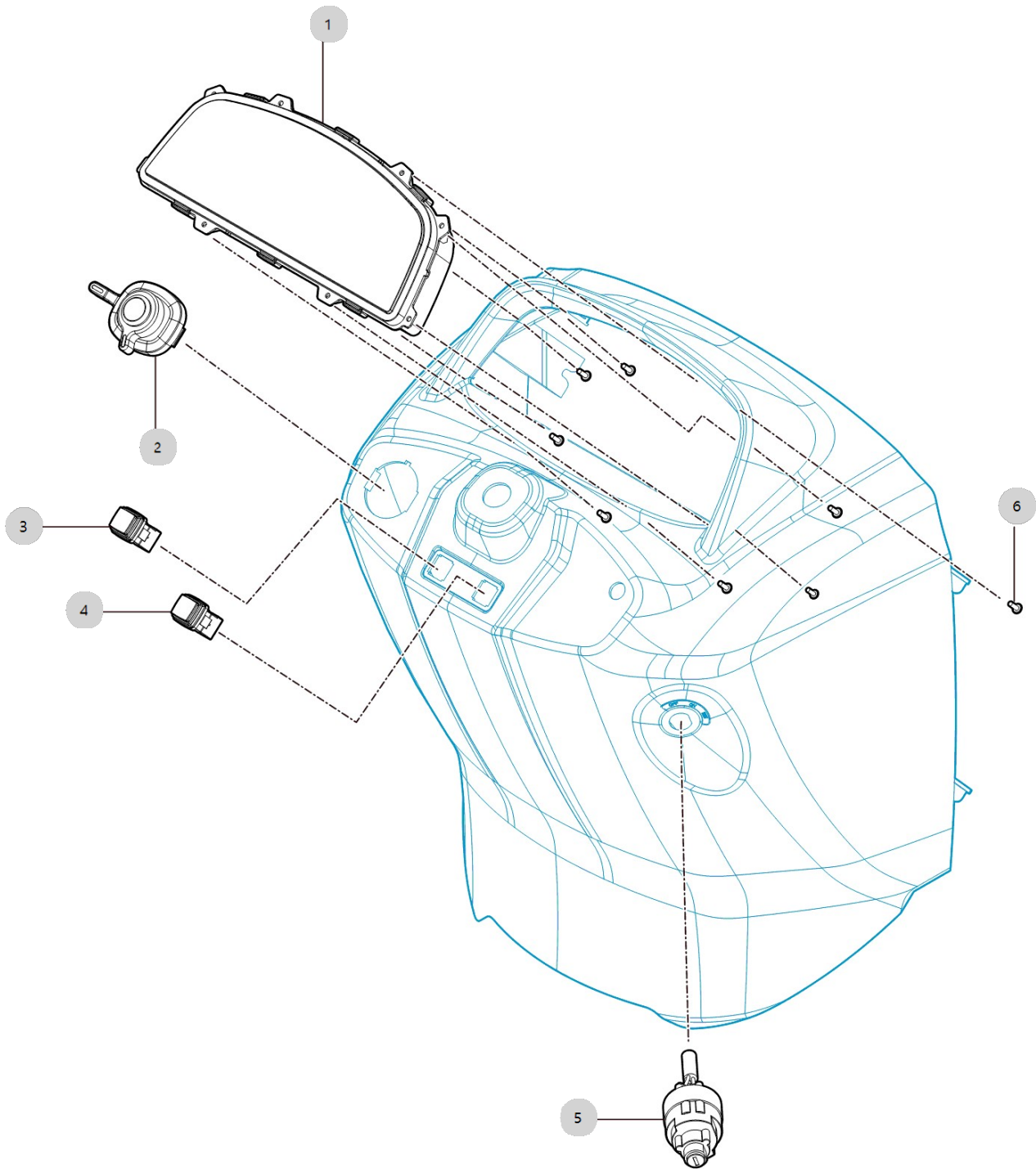
H04051

2610H US_FL
(AC02170)

SWITCH/DASHBOARD

Year/Month

2022-12-14



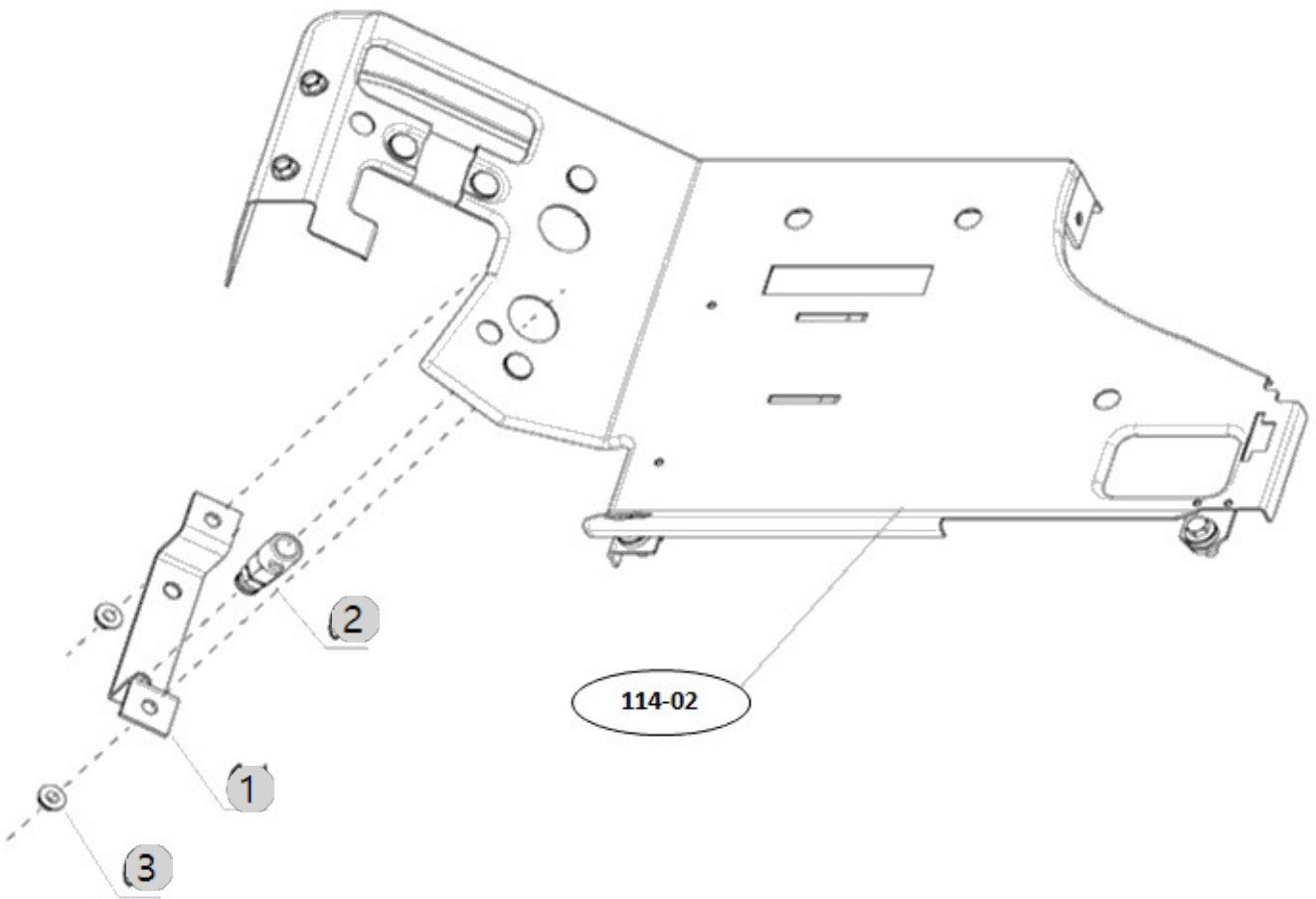
H04054

2610H US_FL
(AC02170)

SWITCH/BRAKE

Year/Month

2022-12-14



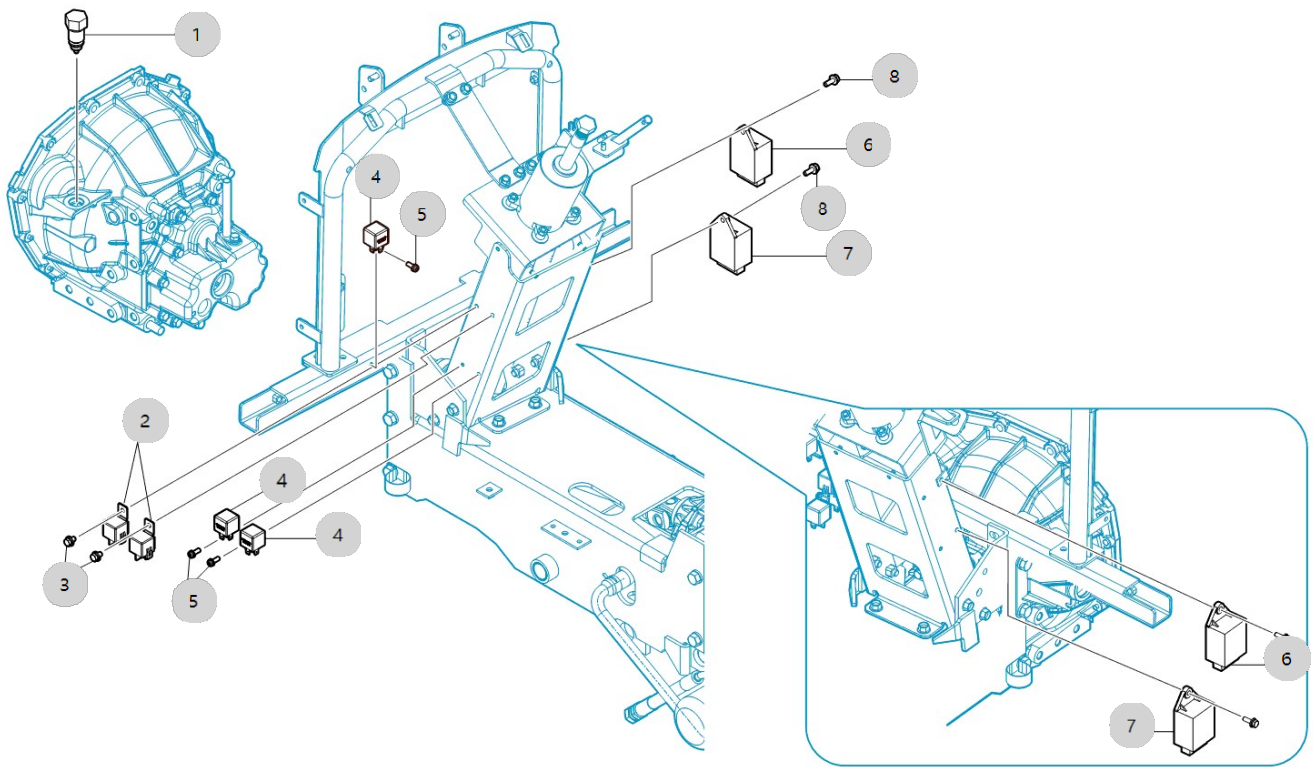
H04060H

2610H US_FL
(AC02170)

ELETRIC APPARATUS

Year/Month

2022-12-14



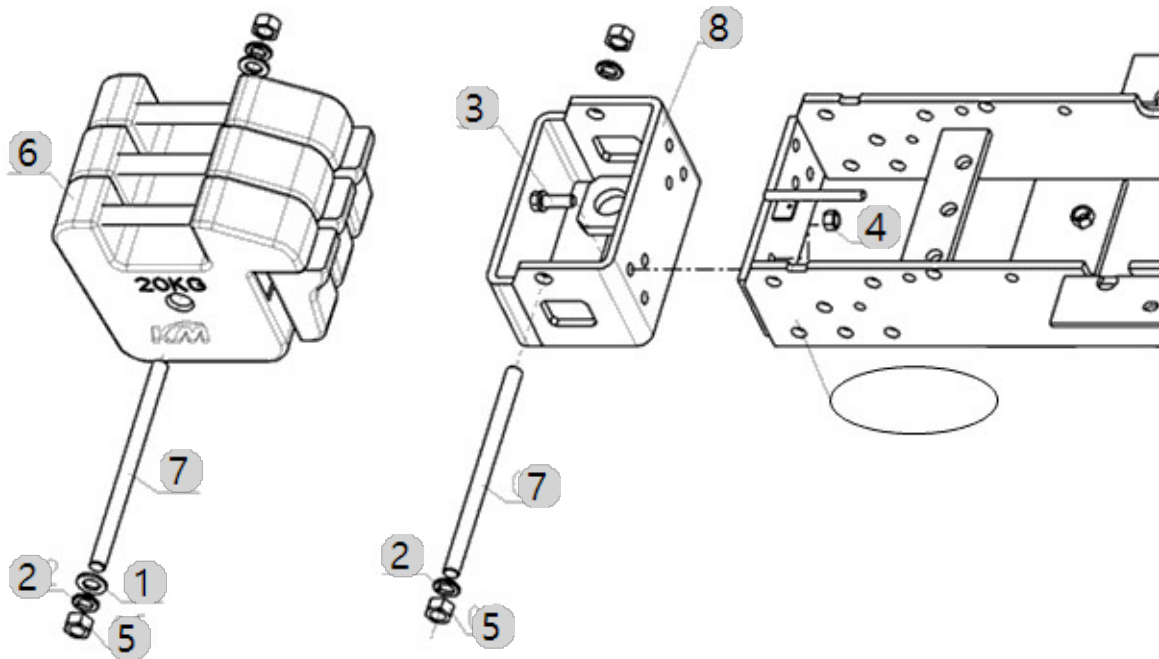
I01010

2610H US_FL
(AC02170)

WEIGHT

Year/Month

2022-12-14



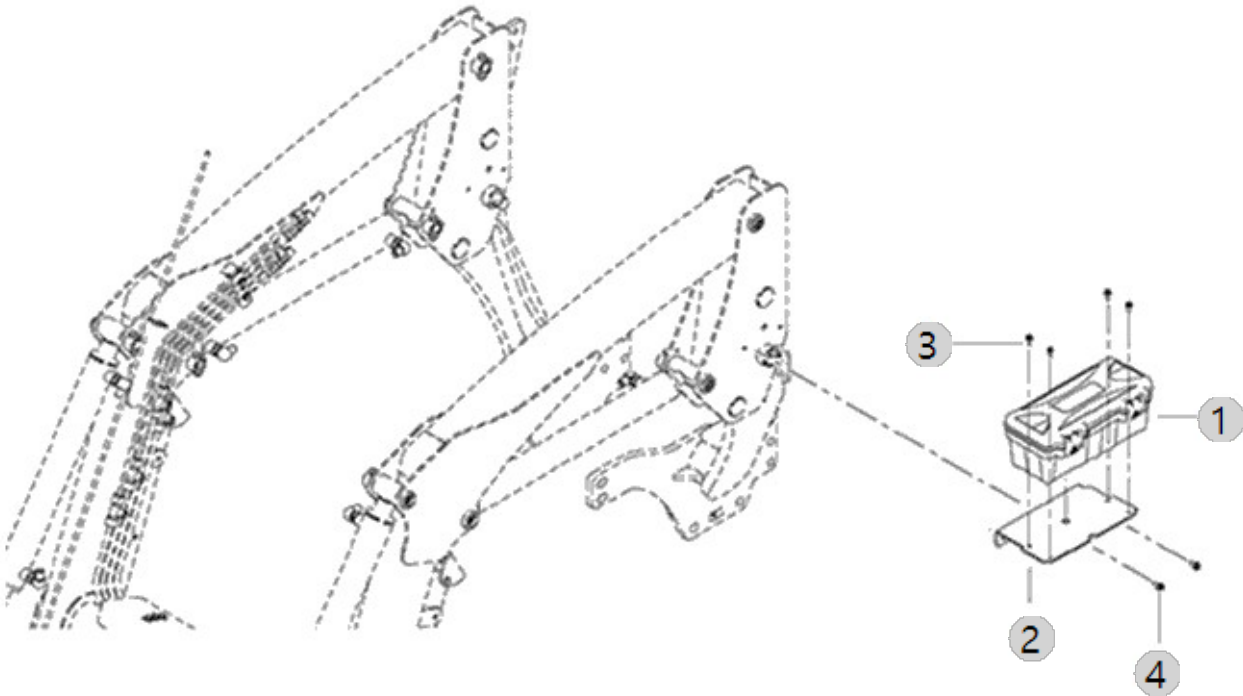
I02010

2610H US_FL
(AC02170)

TOOL BOX

Year/Month

2022-12-14



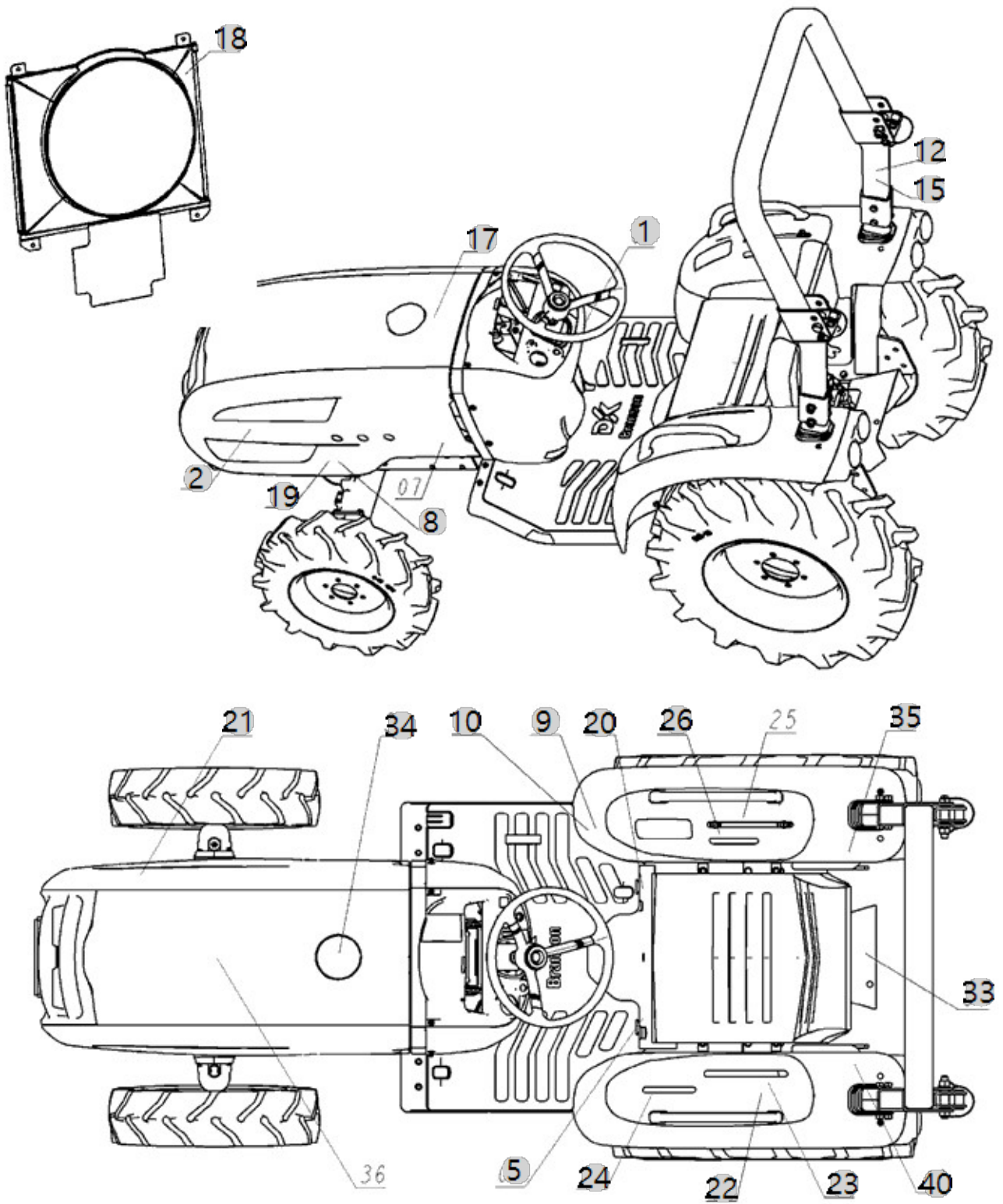
I03020

2610H US_FL
(AC02170)

LABEL

Year/Month

2022-12-14



I03051

2610H US_FL
(AC02170)

SMV EMBLEM

Year/Month

2022-12-14

