

# Parts Catalog

## FARMTRAC

TRACTOR FARMTRAC 6050 HERITAGE 2WD

**Escorts Agri Machinery**

**TABLE INDEX**

<b>Sr No.</b>	<b>Table Name</b>	<b>Table No.</b>	<b>Page No.</b>
1	CYLINDER BLOCK HEAD OIL FILTER	1	1-4
2	CRANKSHAFT AND FLYWHEEL	2	5-6
3	CAMSHAFT AND ROCKER ARM	3	7-10
4	PISTON AND CONNECTING ROD	4	11-12
5	OIL PUMP AND OIL PAN	5	13-14
6	INTAKE MANIFOLD AND EXHAUST SYSTEM	6	15-16
7	FUEL SYSTEM	7	17-20
8	FUEL FILTER	8	21-22
9	WATER PUMP	9	23-24
10	ALTERNATOR ASSEMBLY AND GUARD	10	25-26
11	INTERCOOLER AND HOSES	11	27-28
12	AIR CLEANER ASSEMBLY	11A	29-30
13	THROTTLE CONTROL	12	31-34
14	RADIATOR ASSEMBLY	13	35-36
15	FRONT WHEEL ASSEMBLY	14	37-38
16	STEERING MOTOR	15	39-42
17	STEERING PIPES	15A	43-46
18	AXLE & STEERING PARTS	16	47-50
19	CLUTCH CONTROLS	17	51-54
20	CLUTCH ASSY IPTO 11	18	55-56
21	TRANSMISSION CASE AND SHIFT LEVERS	19	57-60
22	MAIN GEAR SIDE SHIFT EXTERNAL	20	61-62
23	8+2 SPEED TRANSMISSION GEARS	21	63-68
24	REAR DIFFERENTIAL LOCK	22	69-70
25	CENTER HOUSING	23	71-74
26	REAR DIFFERENTIAL ASSEMBLIES	24	75-76
27	CENTER HOUSING BRACKET	25	77-78
28	REAR AXLE, DIFFERENTIAL AND RELATED PARTS	27	79-82
29	REAR AXLE, DIFFERENTIAL AND RELATED PARTS	28	83-84
30	REAR WHEELS	29	85-86

**TABLE INDEX**

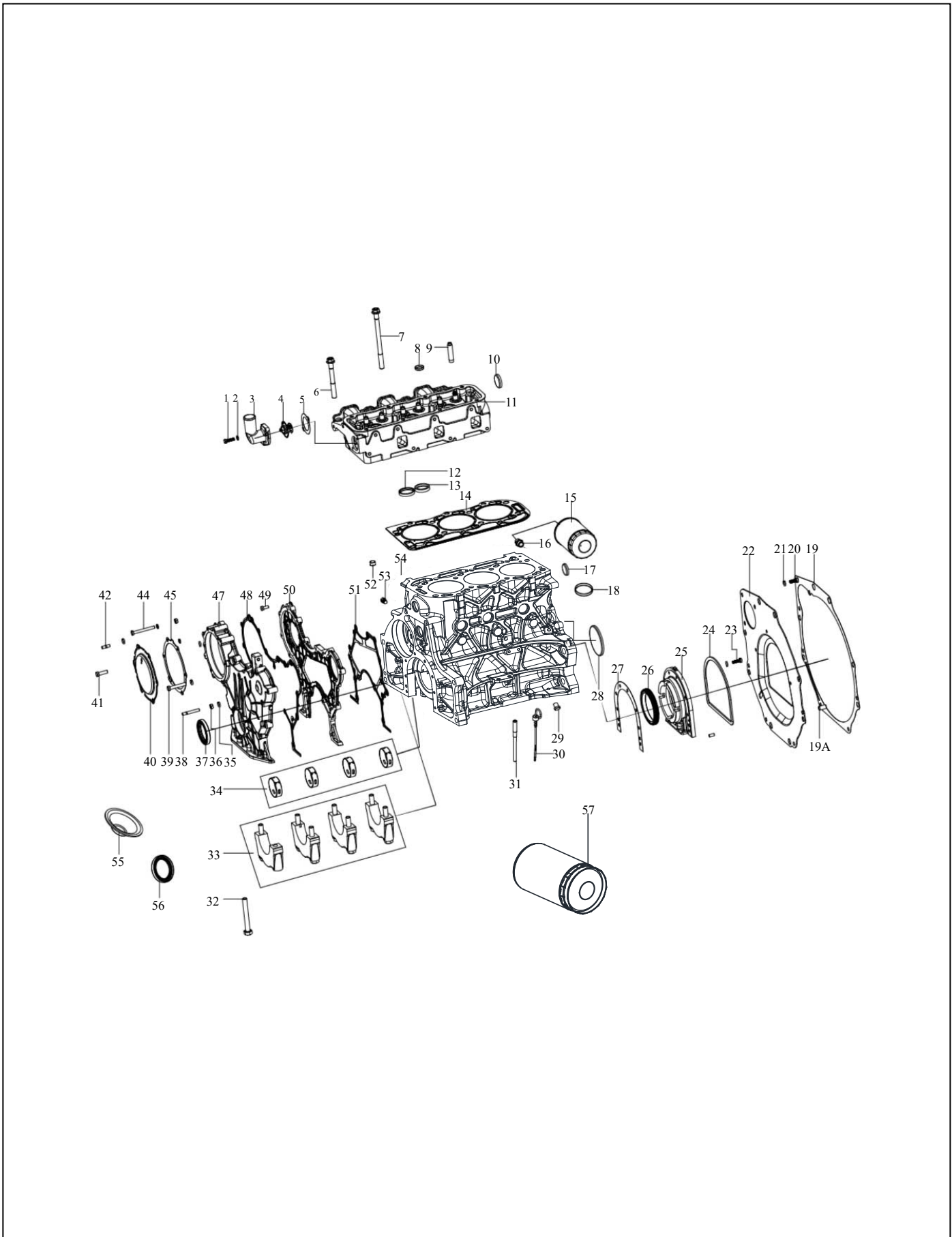
<b>Sr No.</b>	<b>Table Name</b>	<b>Table No.</b>	<b>Page No.</b>
31	POWER TAKE OFF ASSEMBLY	30	87-90
32	BRAKES AND BRAKE CONTROLS	31	91-92
33	INDEPENDENT PARKING BRAKE	31A	93-94
34	HYDRAULIC LIFT CYLINDER	32	95-96
35	HYDRAULIC LIFT COVER	33	97-100
36	HYDRAULIC LIFT SHAFTS HEAVY DUTY	34	101-104
37	HYDRAULIC FLOW SYSTEM	35	105-106
38	HYDRAULIC LIFT LINKAGES	36	107-110
39	SPOOL VALVE TUBING ASSEMBLY	37	111-112
40	TUBING HYDRAULIC ASSEMBLY 2WD	37A	113-116
41	INSTRUMENT CLUSTER	38	117-118
42	BATTERY AND BATTERY SUPPORT	39	119-120
43	ELECT.SWITCHES & CONTROL	40	121-122
44	HEAD LAMP AND WORK LAMP	41	123-124
45	WIRING HARNESS	42	125-126
46	FENDERS	43	127-128
47	SHEET METAL	44	129-132
48	RUNNING BOARD	45	133-136
49	DRIVER SHEET	46	137-138
50	FRONT WHEEL WEIGHT	47	139-140
51	DECAL	48	141-142
52	DECAL 2	48A	143-144
53	HITCH REAR SUBASSEMBLY	49	145-146
54	REAR VIEW MIRROR	50	147-148
55	TOOL KIT	51	149-150
56	CANOPY ASSEMBLY	51	151-152
57	TOOL BOX ASSEMBLY	52	153-154
58	KIT ROCKER ARM WITH SCREW	44	155-156
59	KIT PISTON RING SET	45	157-158
60	KIT ENGINE MAIN AND CONNECTING ROD BEARING SET SIZE STANDARD	46	159-160

**TABLE INDEX**

<b>Sr No.</b>	<b>Table Name</b>	<b>Table No.</b>	<b>Page No.</b>
61	KIT ENGINE INLET AND EXHAUST VALVES	47	161-162
62	KIT ENGINE MAIN AND CONNECTING ROD BEARING SET SIZE STANDARD	48	163-164
63	KIT GEAR BOX BALL AND SPRING	1	165-166
64	KIT OIL PUMP REPAIR	46	167-168
65	KIT CUP AND CONE ROLLER BEARING REAR AXLE	104	169-170
66	KIT WASHER SET CENTRE PIN	59	171-172
67	KIT STAYBAR	67	173-174



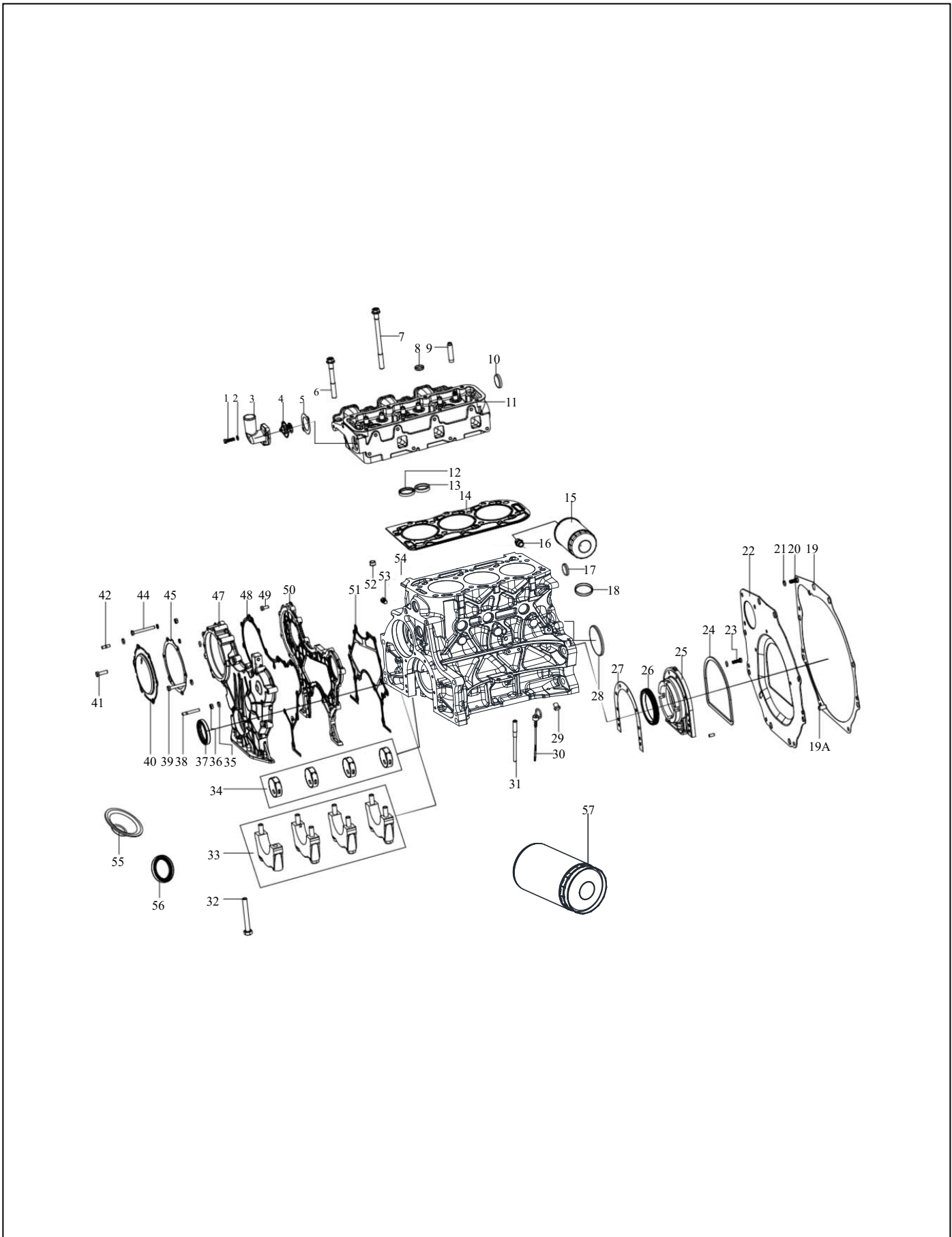
**TABLE-1**  
**CYLINDER BLOCK HEAD OIL FILTER**



**TABLE-1**  
**CYLINDER BLOCK HEAD OIL FILTER**

Fig. No.	Part No.	Description	Qty
1	D81500310.9	SCREW M8X1.25X30-8.8 HEX HEAD	2
2	D86000040.9	WASHER 5/16" SPRING LOCK	2
3	D10011770.9	CONNECTION WATER OUTLET	1
4	D10011750.9	THERMOSTAT ASSEMBLY WATER	1
5	D10011760.9	GASKET WATER OUTLET	1
6	D10011390.9	BOLT CYLINDER HEAD	10
7	D10011630.9	BOLT 9/12"-12X7.91" HEX FLANGED (CYLINDER HEAD)	4
8	D10082880.9	PLUG 1.12" CUP	3
9	D10045010.9	GUIDE VALVE	6
10	D10082900.9	PLUG 1.761" CUP	1
11	D10365350.9	HEAD ASSEMBLY CYLINDER (FT6050 EXPORT)	1
11-1	D10473820.9	HEAD ASSEMBLY CYLINDER (FT6050 EXPORT)	1
12	D10045040.9	INSERT INTAKE VALVE SEAT	3
13	D10045030.9	INSERT EXHAUST VALVE SEAT	3
14	D10223860.9	GASKET CYLINDER HEAD E3.315 AVL (NON ASBESTOS)	1
15	D10222800.9	FILTER ASSEMBLY LUBE OIL (DELPHINIUM BLUE)	1
15-1	D10657120.9	FILTER ASSEMBLY LUBE OIL DELPHINIUM BLUE	1
16	D10248390.9	INSERT OIL FILTER MOUNTING	1
17	D10082890.9	PLUG 1.50" CUP	5
18	D10067030.9	PLUG COVER	1
19	D10346240.9	GASKET ENGINE TO TRANSMISSION ASSEMBLY	1
19A	D10010330.9	PIN 1/2"X1.00" DOWEL	2
20	D81000150.9	BOLT 3/8"-16X0.75" HEX HEAD	3
21	D86000010.9	WASHER 3/8" SPRING LOCK	11
22	D10348720.9	ADAPTER PLATE ENGINE	1
23	D81000330.9	BOLT 5/16"-18X1.00" HEX HEAD	8
24	D10044860.9	GASKET REAR PLATE	1
25	D10177340.9	CARRIER SEAL REAR OIL SEAL ENGINE F3.344	1
26	D10044550.9	SEAL ASSEMBLY CRANKSHAFT REAR OIL SEAL	1
27	D10175530.9	GASKET SEAL CARRIER	1
28	D10175570.9	PLUG CAMSHAFT HYDRAULIC PUMP DRIVE GEAR	1
29	D93100030.9	PLUG 3/8"-18 HEX HEAD	1
30	D10193260.9	INDICATOR ASSEMBLY OIL LEVEL	1
31	D10193250.9	TUBE OIL LEVEL INDICATOR	1
32	D10010240.9	BOLT 9/16"-12X4.45" HEX HEAD	8
33	D10405320.9	CAP CRANKSHAFT MAIN BEARING (F3.344)	3
33A	D10405340.9	CAP CRANKSHAFT MAIN BEARING REAR (F3.344)	1
34	D10010150.9	BEARING CAM SHAFT	4
35	D86000040.9	WASHER 5/16" SPRING LOCK	12
36	D83000060.9	NUT 5/16"-18 HEX	3

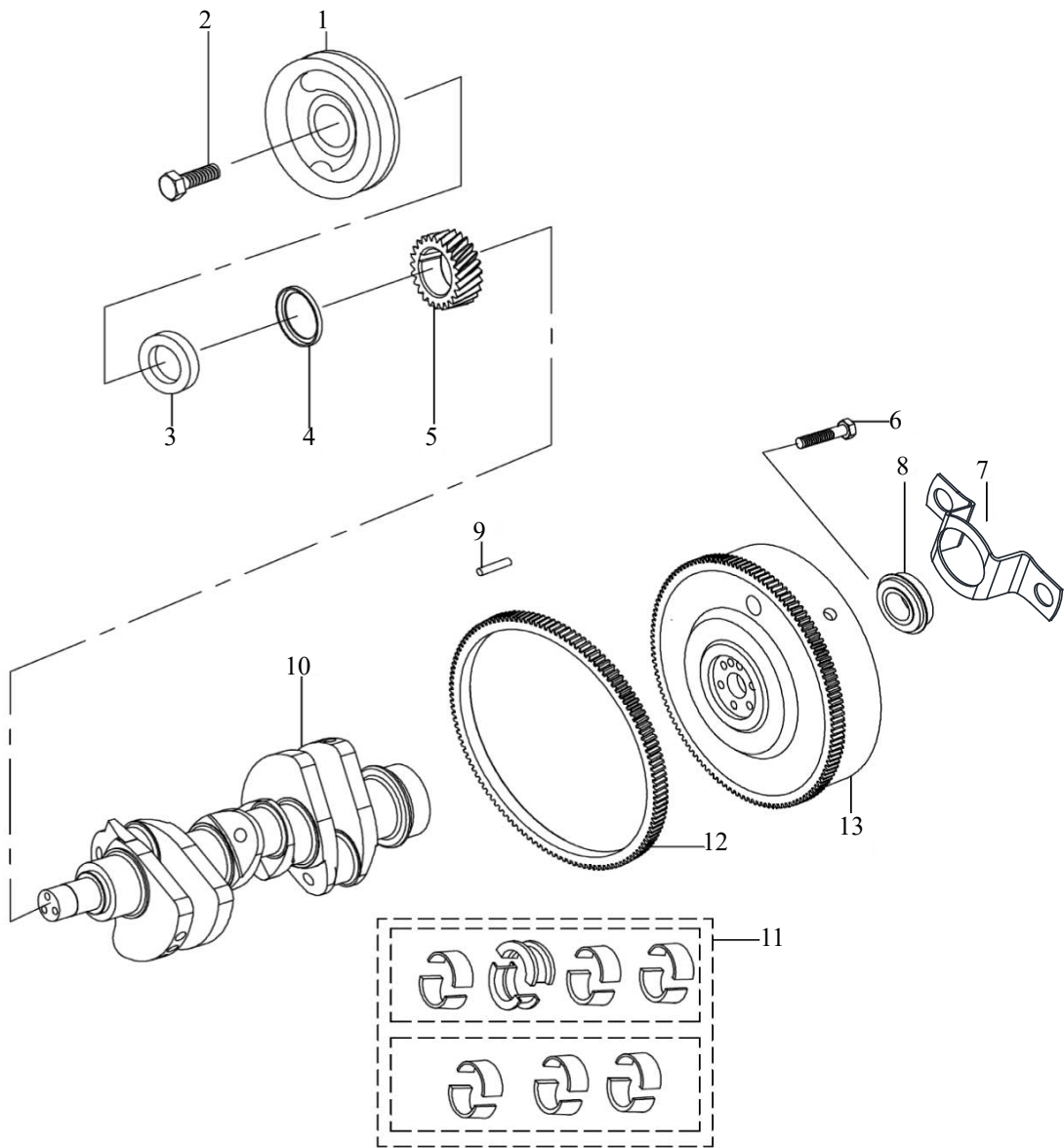
**TABLE-1**  
**CYLINDER BLOCK HEAD OIL FILTER**



**TABLE-1**  
**CYLINDER BLOCK HEAD OIL FILTER**

Fig. No.	Part No.	Description	Qty
37	D10009550.9	SEAL OIL CRANKSHAFT FRONT (M/S FENNER PART NO 7844)	1
38	D84500160.9	STUD B M8X1.25X60-8.8	4
39	D81000170.9	BOLT 3/8"-16X2.25" HEX HEAD	9
40	D10044730.9	COVER FUEL INJECTION PUMP TIMING	1
41	D81000210.9	BOLT 3/8"-16X2.50" HEX HEAD	2
41-1	D10013810.9	BOLT 3/8"-16X2.75" HEX HEAD	2
42	D84500180.9	STUD B M8X1.25X28-8.8	6
44	D81500430.9	BOLT M8X1.25X75-8.8 HEX HEAD	3
45	D10192780.9	GASKET TIMING GEAR INSPECTION COVER	1
47	D10251150.9	COVER TIMING GEAR ENGINE	1
48	D10190110.9	GASKET COVER TIMING GEAR	1
49	D81000160.9	BOLT 5/16"-18X.75" HEX HEAD LOCK	4
50	D10424930.9	HOUSING TIMING GEAR INLINE FIP	1
50-1	D10424930AD.9	HOUSING TIMING GEAR INLINE FIP	1
51	D10190120.9	GASKET HOUSING TIMING GEAR	1
52	D10010280.9	DOWEL CYLINDER HEAD TO BLOCK CYLINDER	2
53	D93100010.9	PLUG 1/4"-18 PIPE	1
54	D10386090.9	BLOCK ASSEMBLY CYLINDER FT70 AVL	1
55	D10061780.9	STOP OIL PUMP GEAR	1
56	D10010860.9	SEAL CRANKSHAFT FRONT (WAXED)	1
56-1	D10009550.9	SEAL OIL CRANKSHAFT FRONT (M/S FENNER PART NO 7844)	1
57	D10174110.9	FILTER ASSEMBLY ENGINE LUBE OIL (E4.286 TCI)	1
57-1	D10285070.9	FILTER ASSEMBLY ENGINE LUBE OIL (E4.286 TCI)	1

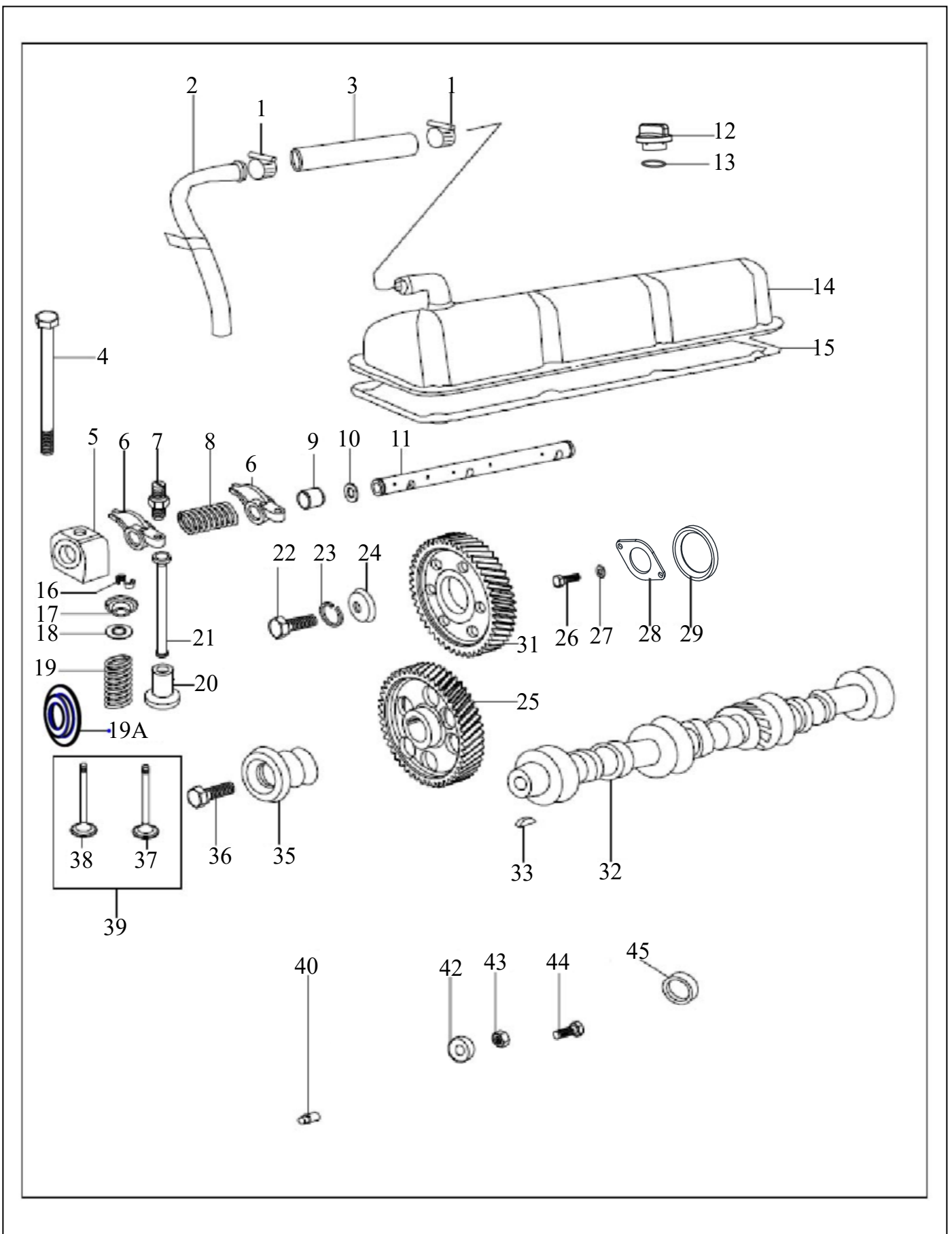
**TABLE-2**  
**CRANKSHAFT AND FLYWHEEL**



**TABLE-2**  
**CRANKSHAFT AND FLYWHEEL**

Fig. No.	Part No.	Description	Qty
1	D10198960.9	PULLEY CRANKSHAFT (B TYPE)	1
1-1	D10389630.9	PULLEY CRANKSHAFT (SHEET METAL)	1
2	D10044910.9	BOLT M10X1.50X45-10.9 HEX HEAD	5
3	D10251140.9	SPACER CRANKSHAFT PULLEY	1
4	D10010400.9	SEAL O RING 0.103"X1.75"	1
5	D10010380.9	GEAR CRANKSHAFT	1
6	D10044590.9	BOLT FLYWHEEL MOUNTING	8
7	D10045240.9	RETAINER CLUTCH PILOT BEARING	1
8	D10010460.9	BEARING CLUTCH PILOT	1
9	D10044920.9	DOWEL FLY-WHEEL	1
10	D10044390.9	CRANKSHAFT FT70AVL (106.68)	1
11	D10044520.9	BEARING CRANKSHAFT MAIN UPPER	3
11A	D10044530.9	BEARING CRANKSHAFT MAIN LOWER	3
11B	D10157440.9	BEARING CRANKSHAFT MAIN THRUST UPPER	1
11C	D10157450.9	BEARING CRANKSHAFT MAIN THRUST LOWER	1
12	D10061470.9	GEAR FLYWHEEL	1
13	D10201610.9	FLYWHEEL ASSEMBLY AVL ENGINE (CERAMETALLIC DUAL CLUTCH)	1

**TABLE-3**  
**CAMSHAFT AND ROCKER ARM**

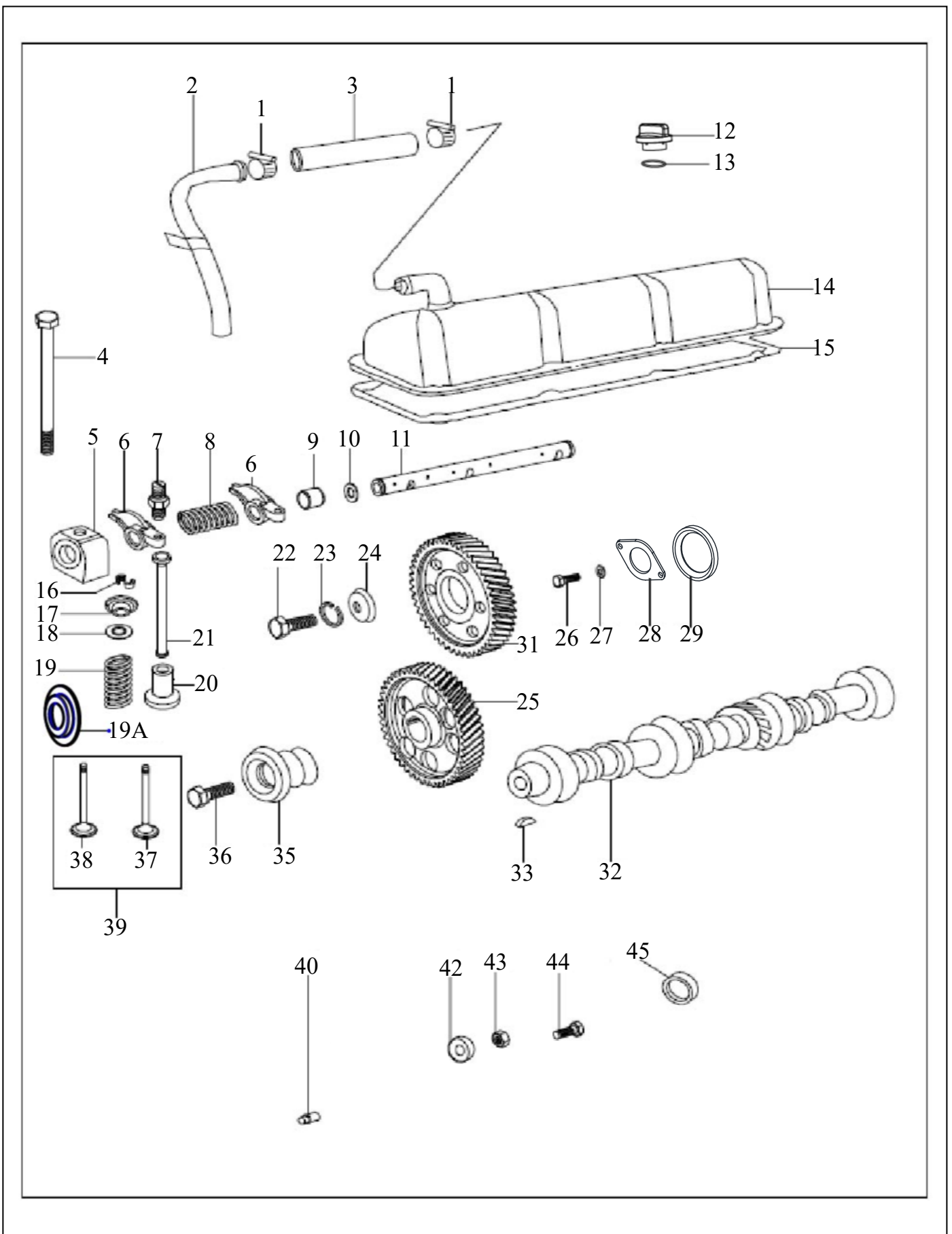


**TABLE-3**  
**CAMSHAFT AND ROCKER ARM**

Fig. No.	Part No.	Description	Qty
1	D10017540.9	CLAMP RADIATOR HOSE UPPER	2
2	D10193240.9	HOSE CRANK CASE VENTILATION	1
3	D10193290.9	TUBE ASSEMBLY CRANK CASE VENTILATION AVL (POWER STEERING)	1
4	D10011630.9	BOLT 9/12"-12X7.91" HEX FLANGED (CYLINDER HEAD)	4
5	D10212790.9	BRACKET VALVE ROCKER	4
6	D10196470.9	ARM ROCKER VALVE	6
7	D10196000.9	SCREW ROCKER ARM ADJUSTING	6
8	D10011590.9	SPRING VALVE ROCKER ARM	3
9	D10011600.9	SPACER VALVE ROCKER ARM	3
10	D10011570.9	PLUG 0.761" CUP	2
11	D10011560.9	SHAFT VALVE ROCKER	1
12	D10039090.9	CAP OIL FILLING	1
13	D10010020.9	SEAL O RING 3.00X28.00	1
14	D10229340.9	COVER ASSEMBLY VALVE ROCKER ARM	1
15	D10044820.9	GASKET VALVE ROCKER ARM	1
16	D10045200.9	KEY VALVE SPRING RETAINER	12
17	D10045050.9	RETAINER VALVE SPRING UPPER	6
18	D10045060.9	SEAL VALVE STEM	6
19	D10044890.9	SPRING VALVE	3
19A	D10044900.9	RETAINER VALVE SPRING LOWER	6
20	D10044510.9	TAPPET VALVE	6
21	D10045070.9	ROD VALVE PUSH	6
22	D81000090.9	BOLT 7/16"-14X1.25" HEX HEAD	2
23	D86000020.9	WASHER 7/16" SPRING LOCK	2
24	D10010520.9	WASHER CAMSHAFT	2
25	D10387920.9	GEAR ASSEMBLY CAMSHAFT DRIVE	1
26	D81000160.9	BOLT 5/16"-18X.75" HEX HEAD LOCK	2
27	D86000040.9	WASHER 5/16" SPRING LOCK	2
28	D10010490.9	PLATE CAM SHAFT THRUST	1
29	D10010480.9	SPACER CAM SHAFT	1
31	D10387910.9	GEAR CAMSHAFT	1
32	D10397860.9	CAMSHAFT ENGINE	1
33	D91000060.9	KEY 3/16"X3/4" WOODRUFF	1
35	D10010560.9	ADAPTER CAM SHAFT	1
36	D10010570.9	BOLT 5/8"-11X2.125" HEX HEAD LOCK	1
37	D10044490.9	VALVE EXHAUST	3
38	D10044500.9	VALVE AIR INTAKE	3
39	D10137900.9	KIT ENGINE INLET AND EXHAUST VALVES (AVL)	1
40	D10021010.9	PIN 5/16"X0 .625" DOWEL	1
42	D10010520.9	WASHER CAMSHAFT	1



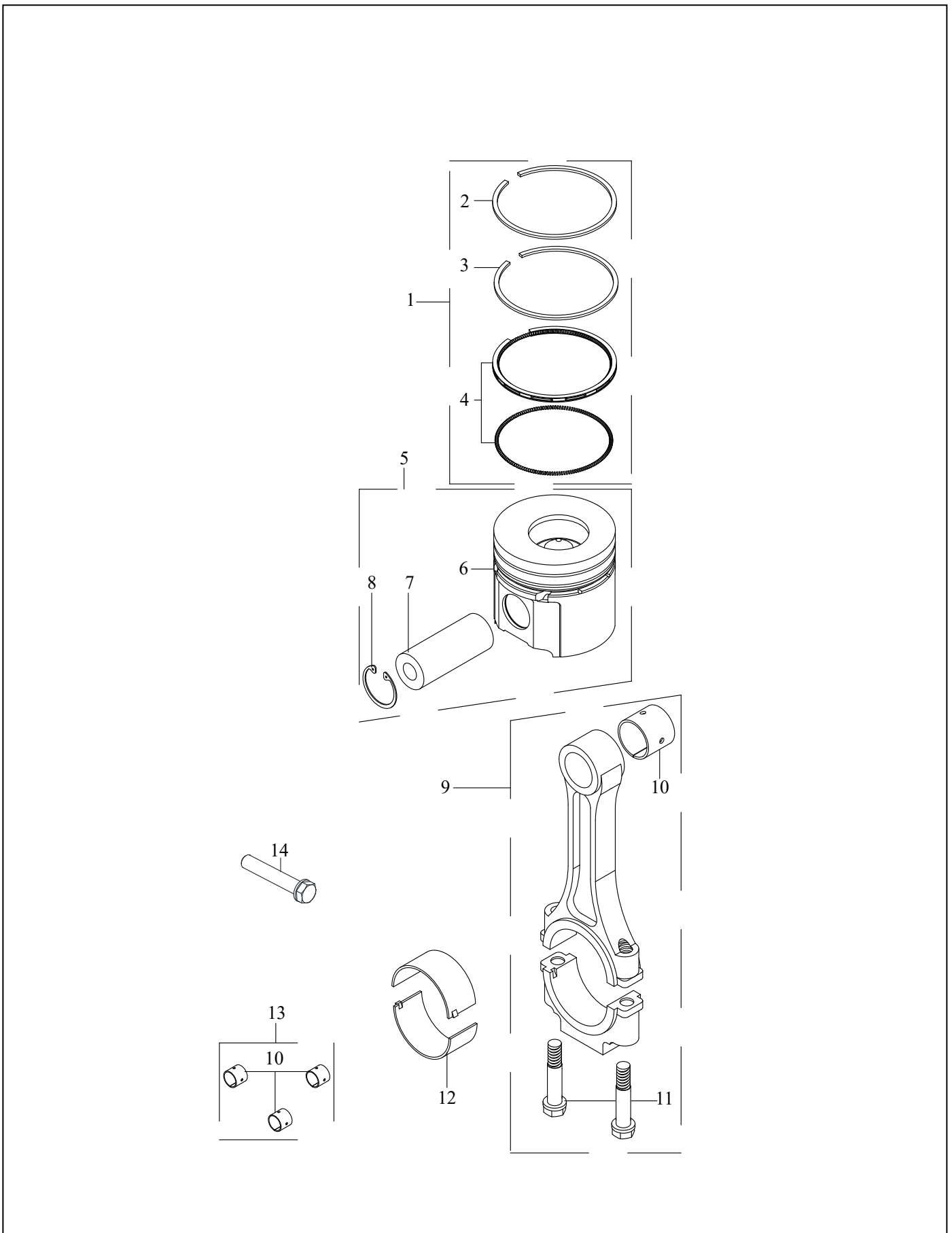
**TABLE-3**  
**CAMSHAFT AND ROCKER ARM**



**TABLE-3**  
**CAMSHAFT AND ROCKER ARM**

<b>Fig. No.</b>	<b>Part No.</b>	<b>Description</b>	<b>Qty</b>
43	D86000020.9	WASHER 7/16" SPRING LOCK	1
44	D81000090.9	BOLT 7/16"-14X1.25" HEX HEAD	1
45	D10175570.9	PLUG CAMSHAFT HYDRAULIC PUMP DRIVE GEAR	1
46	D10075030.9	KIT ROCKER ARM WITH SCREW	6

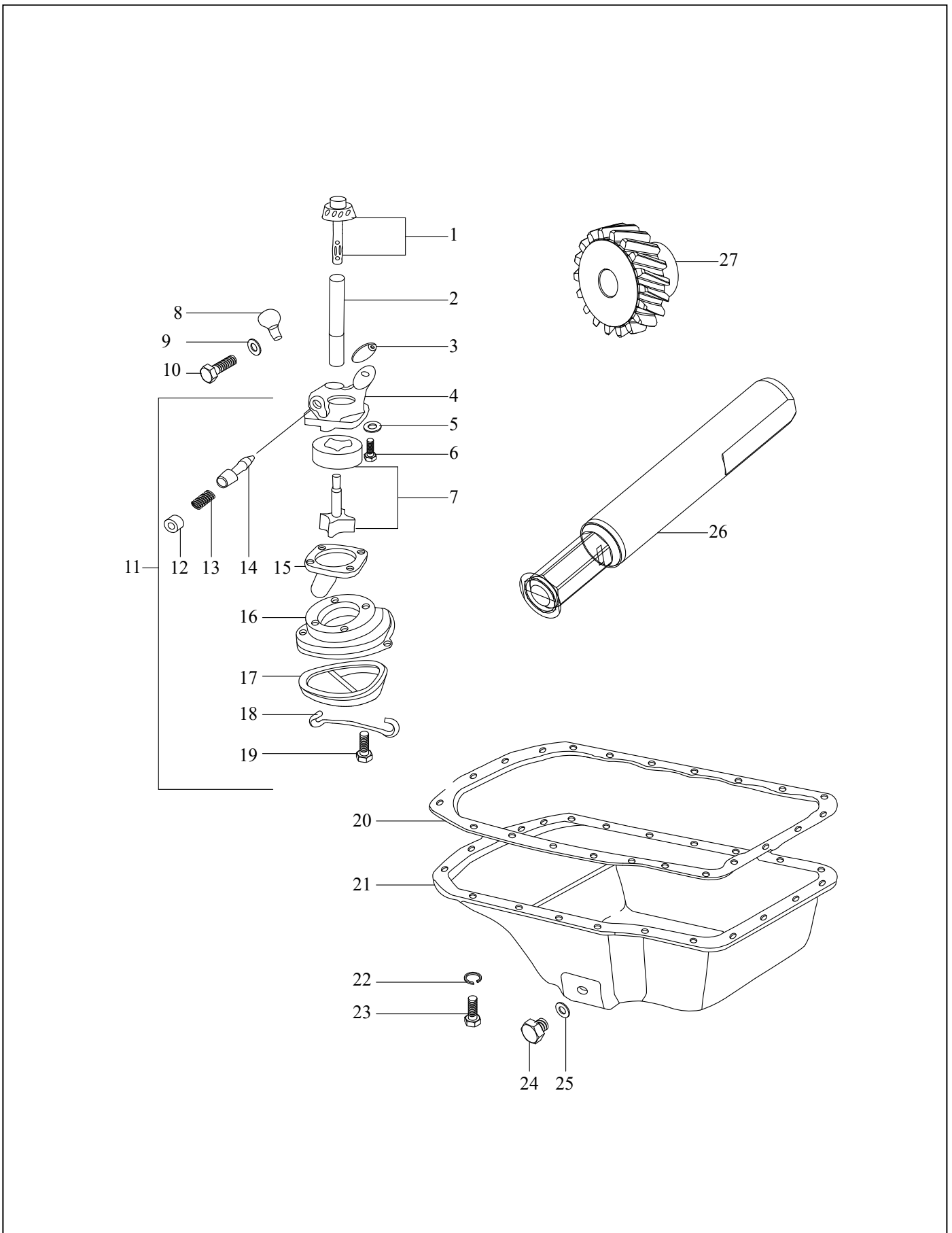
**TABLE-4**  
**PISTON AND CONNECTING ROD**



**TABLE-4**  
**PISTON AND CONNECTING ROD**

Fig. No.	Part No.	Description	Qty
1	D10116310.9	KIT PISTON RING SET (FT60 AVL)	1
2	D10010670.9	RING PISTON COMPRESSION UPPER	3
3	D10010680.9	RING PISTON COMPRESSION LOWER	3
4	D10044670.9	CONFORMABLE OIL RING ASSEMBLY AVL-70	3
5	D10137450.9	KIT PISTON, PIN AND CIRCLIP (FT70 AVL)	1
6	D10368910.9	PISTON 4.4 F.344AVL	3
7	D10044660.9	PIN PISTON AVL-70	3
8	D10045100.9	RING RETAINING	6
9	D10217840.9	ROD AND CAP ASSEMBLY CONNECTING F3.344	3
10	D10044990.9	BUSH CONNECTING ROD	3
11	D10044560.9	BOLT M12X69-10.9 CONNECTING ROD	6
12	D10045000.9	BEARING CONNECTING ROD	6
13	D10137610.9	KIT CONNECTING ROD SMALL END BUSHES (AVL)	1
14	D10212470.9	BOLT M12X69-10.9 CONNECTING ROD	6
15	D10368911.9	PISTON 4.4 F.344AVL (M/S IPL)	3

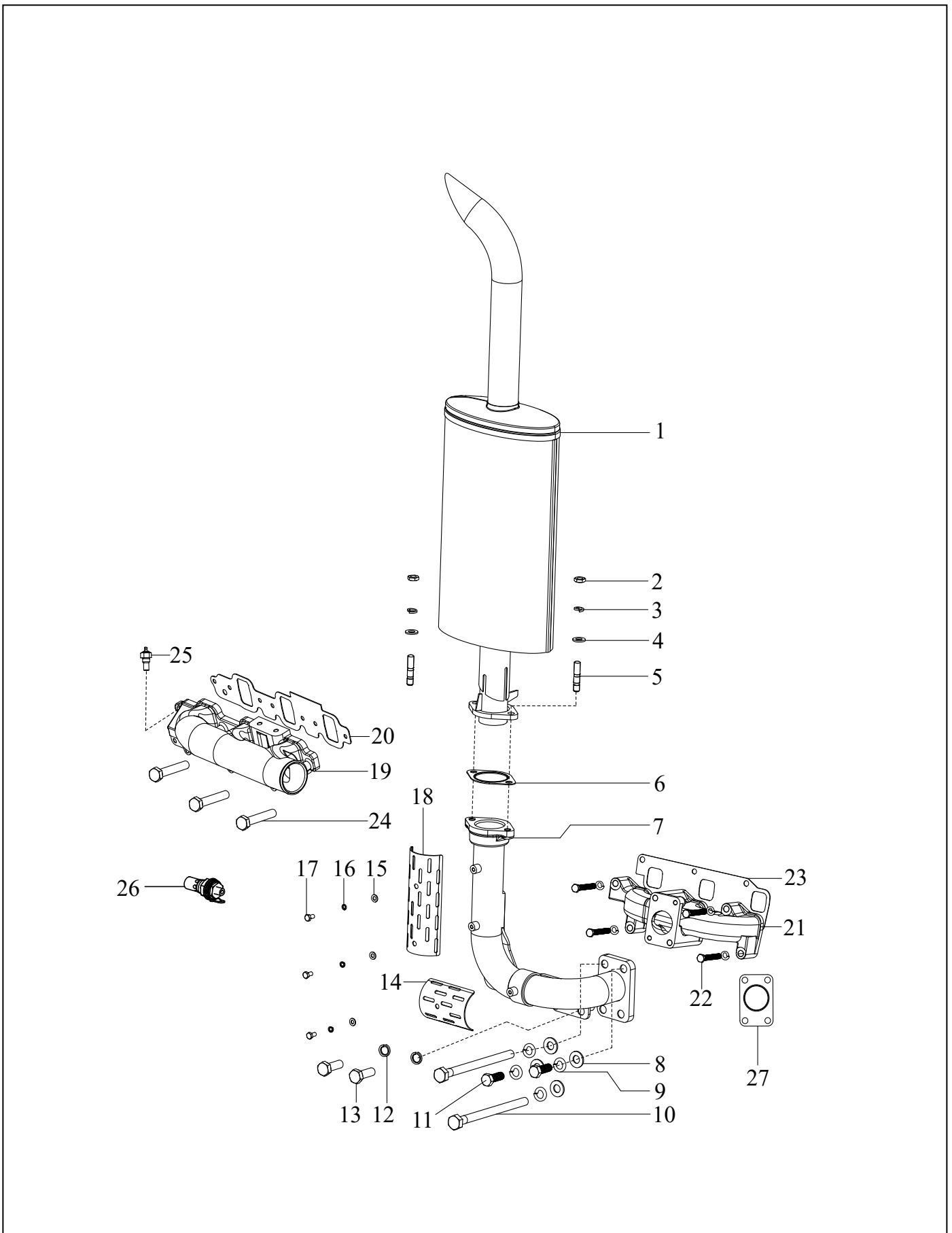
**TABLE-5**  
**OIL PUMP AND OIL PAN**



**TABLE-5**  
**OIL PUMP AND OIL PAN**

Fig. No.	Part No.	Description	Qty
1	D10193410.9	SHAFT AND GEAR LUBE OIL PUMP DRIVE ASSEMBLY	1
2	D10011170.9	SHAFT LUBE OIL PUMP	1
3	D10011140.9	GASKET LUBE OIL PUMP	1
4	D10044480.9	BODY OIL PUMP AVL	1
5	D10011150.9	WASHER LUBE OIL PUMP LOCK	2
6	D10011160.9	BOLT 3/8"-16X1.38" HEX HEAD	2
7	D10011060.9	ROTOR ASSEMBLY LUBE OIL PUMP OUTER AND INNER	1
8	D10011040.9	STOP LUBE OIL PUMP RELIEF VALVE	1
9	D86500030.9	WASHER M8 SPRING LOCK	1
10	D81500110.9	BOLT M8X1.25X20-8.8 HEX HEAD	1
10-1	D82500040.9	SCREW M8X1.25X20-8.8 HEX HEAD	1
11	D10010970.9	PUMP ASSEMBLY ENGINE LUBE OIL	1
12	D10010990.9	PLUG LUBE OIL PUMP RELIEF VALVE	1
13	D10011010.9	SPRING LUBE OIL PUMP RELIEF VALVE	1
14	D10011050.9	VALVE LUBE OIL PRESSURE RELIEF	1
15	D10011020.9	COVER LUBE OIL PUMP	1
16	D10011070.9	COVER LUBE OIL PUMP SCREEN	1
17	D10011030.9	SCREEN LUBE OIL PUMP	1
18	D10011080.9	SPRING LUBE OIL PUMP SCREEN	1
19	D10011090.9	BOLT M6X1.00X20-6.6 HEX FLANGED (LUBE OIL PUMP)	4
20	D10044790.9	GASKET OIL PAN	1
21	D10044630.9	PAN ASSEMBLY OIL	1
22	D86000010.9	WASHER 3/8" SPRING LOCK	22
23	D81000720.9	BOLT 3/8"-16X0.875" HEX HEAD	22
24	D10061670.9	PLUG OIL PAN DRAIN	1
25	D10044710.9	GASKET DRAIN PLUG	1
26	D10011000.9	SHAFT LUBE OIL PUMP DRIVE	1
27	D10011130.9	GEAR LUBE OIL PUMP DRIVE	1

**TABLE-6**  
**INTAKE MANIFOLD AND EXHAUST SYSTEM**



**TABLE-6**  
**INTAKE MANIFOLD AND EXHAUST SYSTEM**

Fig. No.	Part No.	Description	Qty
1	D10397230.9	MUFFLER ASSEMBLY VERTICAL	1
1-1	D10397230AD.9	MUFFLER ASSEMBLY VERTICAL	1
1-2	D10397230AE.9	MUFFLER ASSEMBLY VERTICAL	1
2	D83500210.9	NUT M10X1.50-5 HEX	2
3	D86500090.9	WASHER M10 SPRING LOCK	2
4	D85500140.9	WASHER M10 FLAT	2
5	D10024450.9	STUD B M10X37-6.6	2
6	D10016120.9	GASKET MUFFLER INLET	1
6-1	D10016120AE.9	GASKET MUFFLER INLET	1
6B	D10249980.9	GASKET COVER CLUTCH RELEASE PLATE	1
7	D10315130.9	PIPE ASSEMBLY EXHAUST MANIFOLD	1
8	D85000010.9	WASHER 3/8" FLAT	4
9	D86000010.9	WASHER 3/8" SPRING LOCK	8
10	D10007610.9	BOLT M10X1.50X143-8.8 HEX HEAD	2
11	D81000280.9	BOLT 3/8"-16X1.00" HEX HEAD	2
12	D86500050.9	WASHER M10 SPRING LOCK	2
13	D81500060.9	BOLT M10X1.50X30-8.8 HEX HEAD	2
14	D10318810.9	GUARD MUFFLER ASSEMBLY	1
15	D85500110.9	WASHER M6 FLAT	3
16	D86500040.9	WASHER M6 SPRING LOCK	3
17	D82500050.9	SCREW M6X1.00X12-6.8 HEX HEAD	3
18	D10310760.9	GUARD MUFFLER ASSEMBLY	1
19	D10321610.9	MANIFOLD ENGINE AIR INTAKE	1
19-1	D10639270.9	INTAKE MANIFOLD (WITH PROVISION THERMOSTART)	1
20	D10044840.9	GASKET ENGINE AIR INTAKE MANIFOLD	1
21	D10205310.9	MANIFOLD EXHAUST	1
22	D81500650.9	BOLT M10X1.50X70-8.8 HEX HEAD	4
22-1	D81500670.9	BOLT M10X1.50X60-8.0 HEX HEAD	4
23	D10386620.9	GASKET EXHAUST MANIFOLD	1
24	D10045190.9	BOLT M8X1.25X130-6.6 HEX HEAD	3
25	D10011480.9	SENSOR UNIT WATER TEMPERATURE GAUGE	1
26	D10096420.9	THERMOSTART ENGINE	1
26-1	D10405970.9	THERMOSTART ENGINE	1
27	D10602410.9	GASKET MUFFLER PIPE	1
27-1	D10100200.9	GASKET MUFFLER PIPE	1
27-2	D10100200AB.9	GASKET MUFFLER PIPE	1





**TABLE-7  
FUEL SYSTEM**

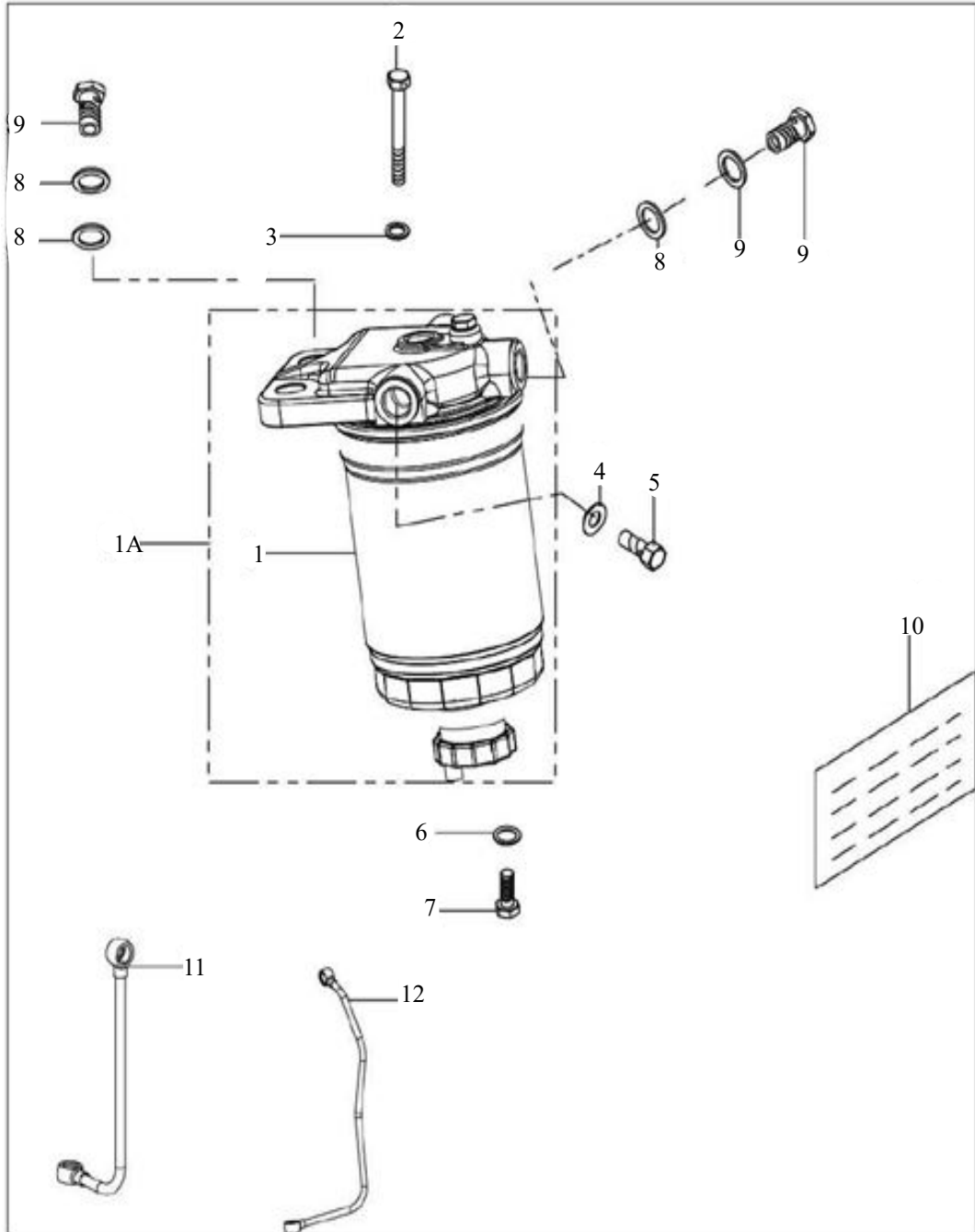
Fig. No.	Part No.	Description	Qty
1	D10044870.9	TUBE ASSEMBLY FUEL INJECTION LEAK OFF	1
2	D10249010.9	INJECTOR ASSEMBLY FUEL	3
3	D10337860.9	TUBE ASSEMBLY FUEL INJECTION CYLINDER #3 (FT 60EPI/6050)	1
4	D10337850.9	TUBE ASSEMBLY FUEL INJECTION CYLINDER #2 (FT 60EPI/6050)	1
5	D10337840.9	TUBE ASSEMBLY FUEL INJECTION CYLINDER #1 (FT 60EPI/6050)	1
5A	D10424980.9	TUBE FUEL INJECTION CYLINDER AND CLAMP ASSEMBLY (FT60EPI/6050)	1
6	D10421000.9	CLAMP ASSEMBLY FUEL INJECTION TUBE	1
6A	D10396650.9	CLAMP ASSEMBLY FUEL INJECTION TUBE	1
7	D10314580.9	TUBE ASSEMBLY FUEL TANK RETURN	1
8	D81000230.9	BOLT 3/8"-24X1.25" HEX HEAD	4
9	D85000010.9	WASHER 3/8" FLAT	3
10	D10010800.9	BOLT FUEL INJECTION PUMP ADAPTER PLATE	3
11	D86000040.9	WASHER 5/16" SPRING LOCK	3
12	D10010780.9	PLATE FUEL INJECTION PUMP	1
13	D10387930.9	GEAR FUEL INJECTION PUMP DRIVE	1
14	D10010760.9	COUPLING FUEL INJECTION PUMP DRIVE	1
15	D10192790.9	GASKET FUEL INJECTION PUMP	1
16	D10044980.9	PIPE FUEL INJECTION PIPE LUBRICATION	1
17	D10397760.9	TUBE ASSEMBLY FUEL FILTER TO FUEL INJECTION PUMP	1
18	D10089990.9	BRACKET FUEL WATER SEPARATOR MOUNTING	1
21	D10035000.9	SEPARATOR ASSEMBLY WATER	1
22	D10012580.9	WASHER 14.2X19.9 COPPER SEALING (MICO PART NO 2916710610)	13
24	D10348870.9	TUBE ASSEMBLY WATER SEPARATOR TO FUEL FEED PUMP	1
24-1	D10496220.9	HOSE ASSEMBLY WATER SEPARATOR TO FEED PUMP	1
25	D10348880.9	HOSE ASSEMBLY FUEL TANK TO FUEL WATER SEPARATOR	1
27	D81500610.9	BOLT M10X1.50X40-8.8 HEX HEAD	2
28	D10375260.9	FILTER ASSEMBLY FUEL (SPIN TYPE)	1
30	D10012590.9	BOLT M14X1.5X25.5 HEX HEAD PIPE UNION	5
31	D83000050.9	NUT 1/2"-13 HEX	2
32	D86000060.9	WASHER 1/2" SPRING LOCK	2
33	D10397740.9	TUBE ASSEMBLY FUEL FEED PUMP TO FUEL FILTER	1
34	D81000570.9	BOLT 1/2"-20X2.00" HEX HEAD	2
36	D10303480.9	PUMP ASSEMBLY FUEL INJECTION LLR 8MM LIFT 1850RPM X-TRA TORQUE	1
37	D10017460.9	CLAMP ASSEMBLY FUEL TUBE	2
38	D10017360.9	CONNECTOR FUEL RETURN TO TANK TUBE	1
39	D10017780.9	HOSE FUEL INJECTOR LEAK OFF	1
40	D10018180.9	CLAMP SPRING WIRE HOSE #7 G	2
41	D10017510.9	WASHER FIP LEAK OFF TUBE (TYPE 603)	6
42	D10017480.9	BOLT M10X1.0X18.5 PIPE UNION	3
43	D86000040.9	WASHER 5/16" SPRING LOCK	6



**TABLE-7**  
**FUEL SYSTEM**

<b>Fig. No.</b>	<b>Part No.</b>	<b>Description</b>	<b>Qty</b>
44	D83000140.9	NUT 1/2"-20 HEX	2
45	D10045160.9	SCREW HOLLOW AVL	2
46	D10045150.9	WASHER FUEL INJECTOR TUBE	4
47	D10326000.9	HOSE ENGINE OVERFLOW TUBE TO FUEL TANK TUBE	1
48	D10212530.9	BEADING CONSOLE FUEL TANK	1
49	D10013040.9	SEAL O RING FUEL INJECTION PUMP	1
50	D10026170.9	TUBE NYLON THERMOSTAT	1
51	D10018360.9	SPACER FUEL TANK MOUNTING LOWER	1
52	D10088780.9	CLAMP THERMOSTART TUBE	2

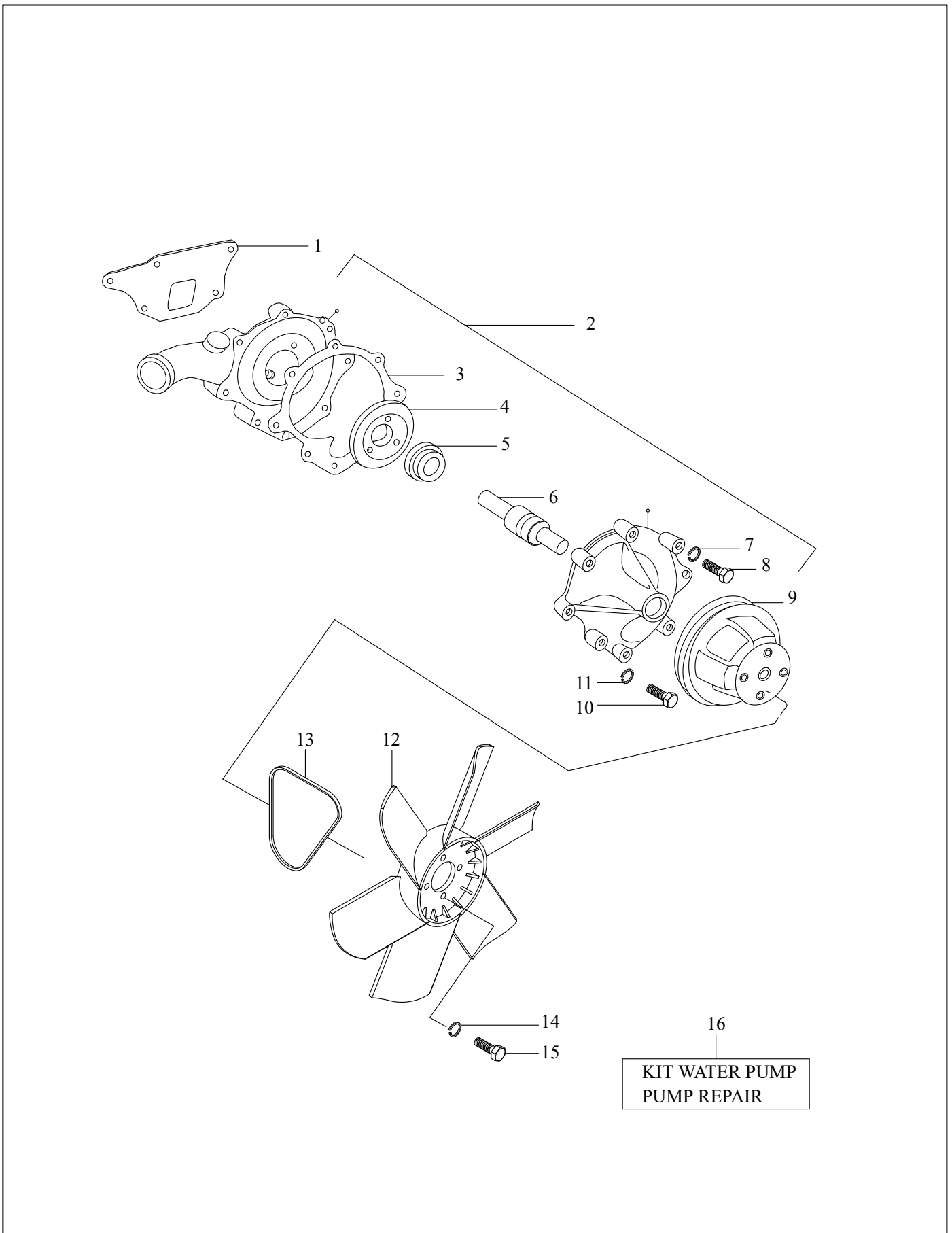
**TABLE-8**  
**FUEL FILTER**



**TABLE-8**  
**FUEL FILTER**

Fig. No.	Part No.	Description	Qty
1	D10406180.9	ELEMENT SINGLE FUEL FILTER	1
1A	D10375260.9	FILTER ASSEMBLY FUEL (SPIN TYPE)	1
2	D10121510.9	SCREW FIXING	2
3	D10067530.9	WASHER C5NE9G546A	2
4	D10121500.9	WASHER	2
5	D10121490.9	SCREW AIR VENT	2
6	D10105460.9	WASHER SEALING	1
7	D10121570.9	SCREW SLUDGE	1
8	D10105450.9	WASHER SEALING	1
9	D10012590.9	BOLT M14X1.5X25.5 HEX HEAD PIPE UNION	1
10	D10017640.9	DECAL FILTER CLEANER	2
11	D10397740.9	TUBE ASSEMBLY FUEL FEED PUMP TO FUEL FILTER	1
12	D10397760.9	TUBE ASSEMBLY FUEL FILTER TO FUEL INJECTION PUMP	1

**TABLE-9**  
**WATER PUMP**

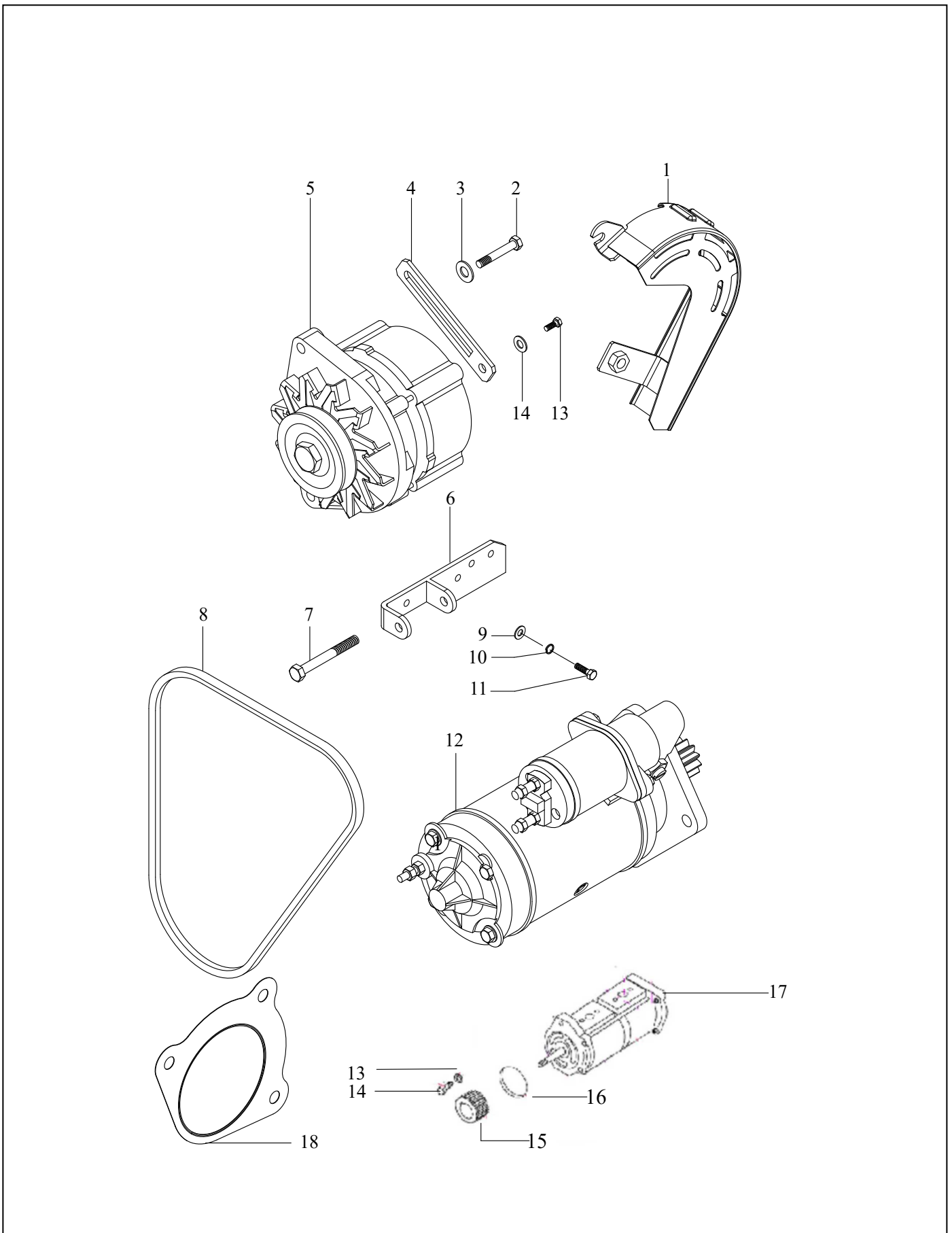


**TABLE-9**  
**WATER PUMP**

Fig. No.	Part No.	Description	Qty
1	D10011250.9	GASKET WATER PUMP	1
2	D10251120.9	PUMP ASSEMBLY WATER	1
2-1	D10441440.9	PUMP WATER AND HUB ASSEMBLY	1
3	D10063000.9	GASKET WATER PUMP COVER	1
4	D10068820.9	IMPELLER WATER PUMP	1
5	D10068860.9	SEAL AND SEAT ASSEMBLY WATER PUMP	1
6	D10011240.9	BEARING WATER PUMP	1
7	D86000040.9	WASHER 5/16" SPRING LOCK	4
8	D81000260.9	BOLT 5/16"-18X1.50" HEX HEAD	4
9	D10251130.9	PULLEY WATER PUMP	1
9-1	D10389650.9	PULLEY WATER PUMP (SHEET METAL)	1
10	D81000250.9	BOLT 7/16"-14X3.00" HEX HEAD	4
11	D86000020.9	WASHER 7/16" SPRING LOCK	4
12	D10123410.9	FAN ASSEMBLY WATER COOLING DIA 380MM (METALLIC)	1
13	D10018470.9	BELT DRIVE COGGED	1
14	D86000040.9	WASHER 5/16" SPRING LOCK	4
15	D81000420.9	BOLT 5/16"-18X0.88" HEX HEAD	4
16	D10075130.9	KIT WATER PUMP REPAIR KOYO BEARING 3610	1



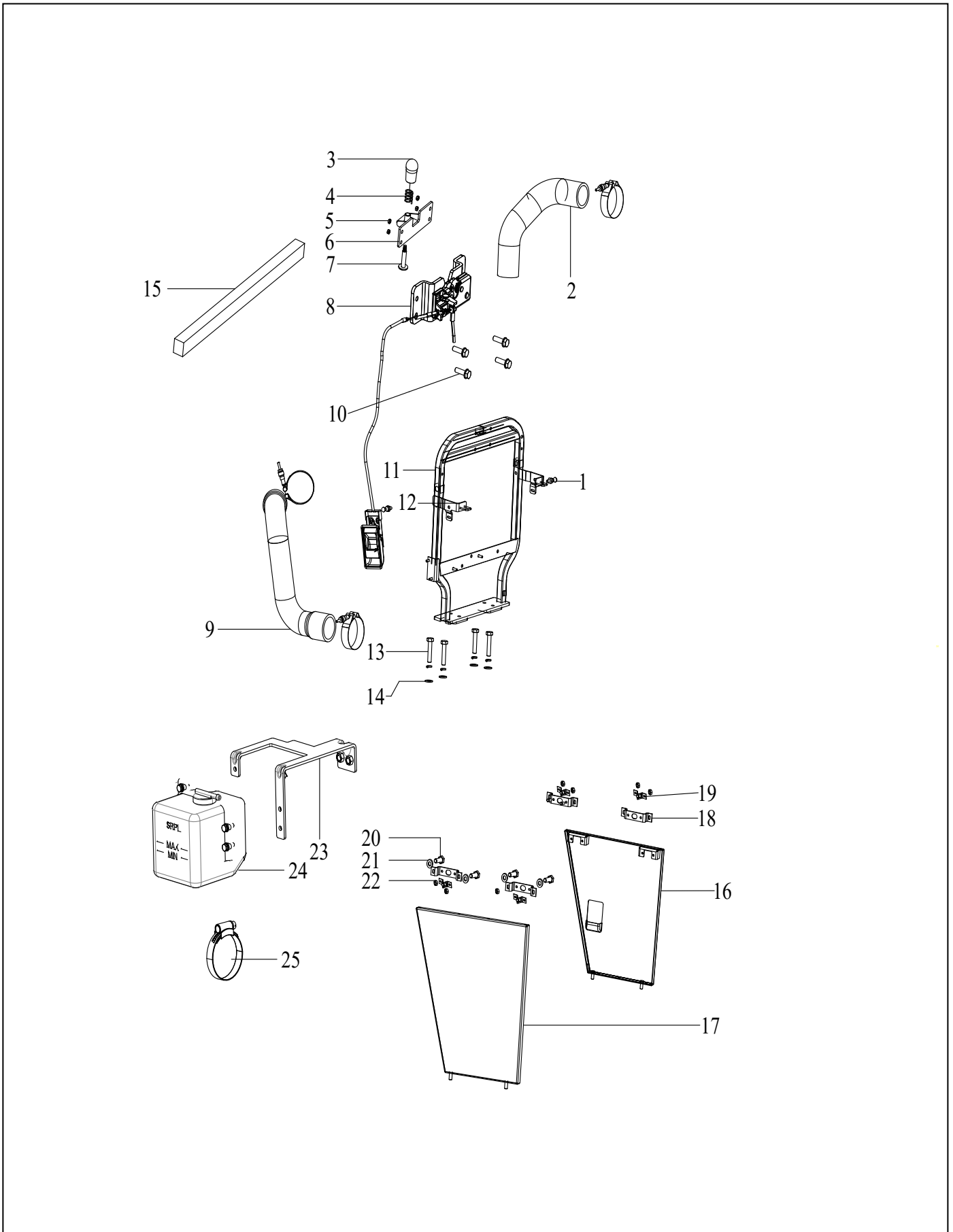
**TABLE-10**  
**ALTERNATOR ASSEMBLY AND GUARD**



**TABLE-10**  
**ALTERNATOR ASSEMBLY AND GUARD**

Fig. No.	Part No.	Description	Qty
1	D10332370.9	GUARD ASSEMBLY ALTERNATOR FAN	1
2	D81000250.9	BOLT 7/16"-14X3.00" HEX HEAD	1
3	D85000090.9	WASHER 7/16" FLAT	1
4	D10010960.9	ARM ALTERNATOR BELT	1
5	D10197190.9	ALTERNATOR ASSEMBLY 55 AMPERE (B TYPE PULLEY)	1
6	D10320350.9	BRACKET ALTERNATOR MOUNTING	1
7	D81500290.9	BOLT M10X1.50X90-8.8 HEX HEAD	1
9	D85500140.9	WASHER M10 FLAT	1
10	D85000050.9	WASHER 3/8" FLAT	2
11	D81000220.9	BOLT 3/8"-16X0.875" HEX HEAD LOCK (GRADE-8)	2
12	D10104190.9	STARTER MOTOR ASSEMBLY LUCAS M127 (2.8KW)	1
13	D86000010.9	WASHER 3/8" SPRING LOCK	2
14	D10013810.9	BOLT 3/8"-16X2.75" HEX HEAD	2
15	D10419560.9	GEAR DRIVE TANDEM PUMP	1
15-1	D10376270.9	GEAR HYDRAULIC LIFT PUMP DRIVE	1
16	D10012900.9	SEAL POWER STEERING PUMP	1
17	D10104180.9	PUMP ASSEMBLY HYDRAULIC LIFT OIL (TANDEM)	1
18	D10345520.9	GASKET STARTER MOTOR	1

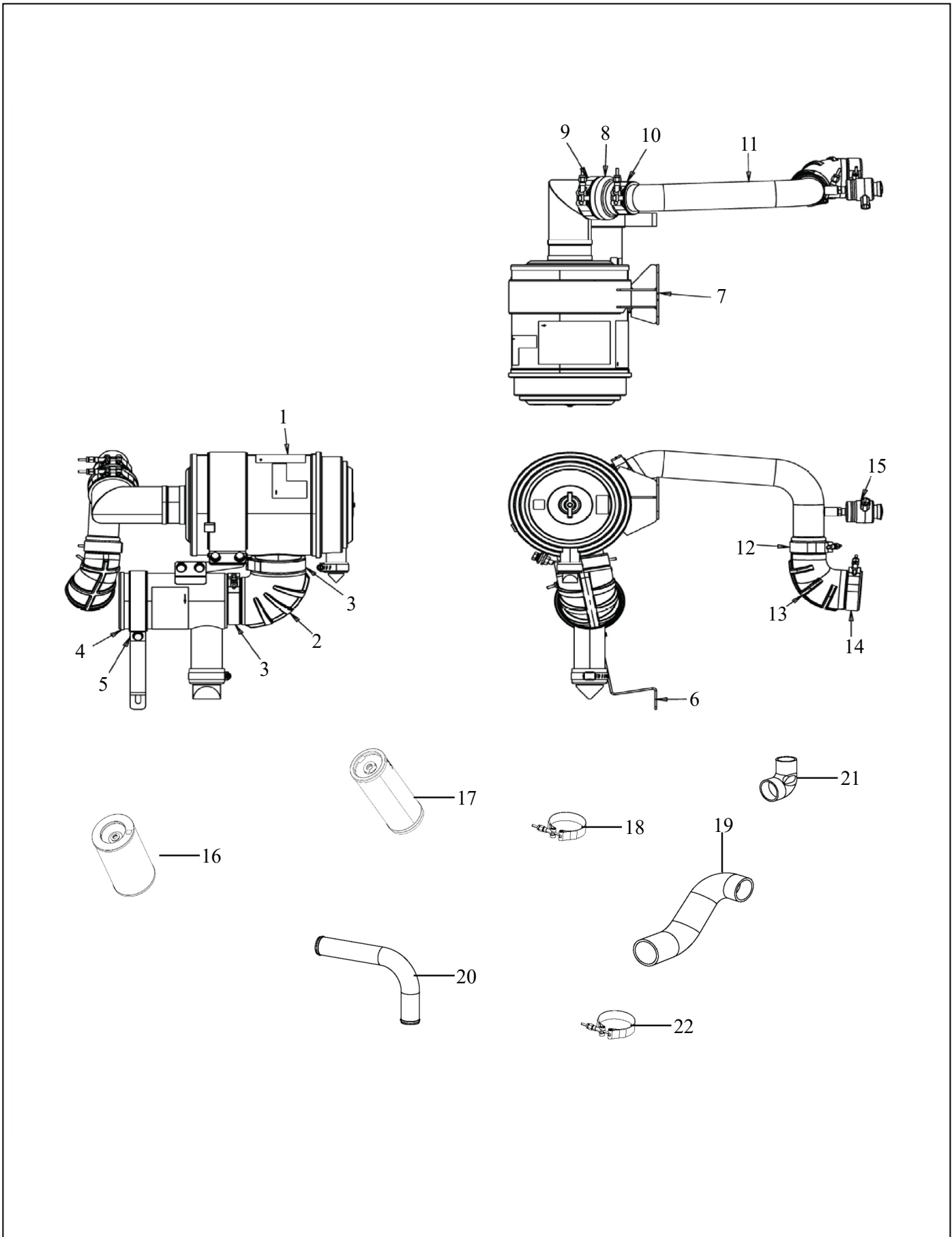
**TABLE-11**  
**INTERCOOLER AND HOSES**



**TABLE-11**  
**INTERCOOLER AND HOSES**

Fig. No.	Part No.	Description	Qty
1	D10286140.9	PIN LOCK SIDE PANEL	3
2	D10323270.9	HOSE WATER PUMP TO RADIATOR INLET	1
3	D10256590.9	KNOB ASSEMBLY (IPTO)	1
4	D10310800.9	SPRING KNOB ASSEMBLY (DAMPER)	1
5	D83500060.9	NUT M8X1.25-6 HEX	4
6	D10310790.9	BRACKET KNOB ASSEMBLY (DAMPER)	1
7	D10310810.9	PIN KNOB ASSEMBLY (DAMPER)	1
8	D10223100.9	LATCH ASSEMBLY HOOD	1
9	D10323280.9	HOSE WATER PUMP TO RADIATOR OUTLET	1
10	D81500590.9	BOLT M8X1.25X25-6.6 HEX HEAD	4
11	D10344900.9	FRAME ASSEMBLY RADIATOR	1
12	D10320640.9	BRACKET GRILL MOUNTING LH	1
13	D81500330.9	BOLT M8X1.25X40-8.8 HEX HEAD	4
14	D85500050.9	WASHER M8 FLAT	9
15	D10292630.9	FOAM SEALING RADIATOR SIDE	1
16	D10341710.9	GUARD ASSEMBLY SIDE RH	1
17	D10342140.9	GUARD ASSEMBLY SIDE LH	1
18	D10315570.9	BRACKET LOCK SIDE GUARD MOUNTING	4
19	D10286160.9	STRIP LOCK SIDE GUARD	4
20	D10016990.9	SCREW M4X0.70X10	8
21	D85500090.9	WASHER M5 FLAT	8
22	D10017000.9	NUT M4X0.70 NYLOCK	8
23	D10322480.9	BRACKET ASSEMBLY RECOVERY BOTTLE MOUNTING	1
24	D10186570.9	BOTTLE RADIATOR ASSEMBLY RECOVERY (1.5 LITRE)	1
25	D10017170.9	CLAMP ASSEMBLY 70MM DIAMETER	3

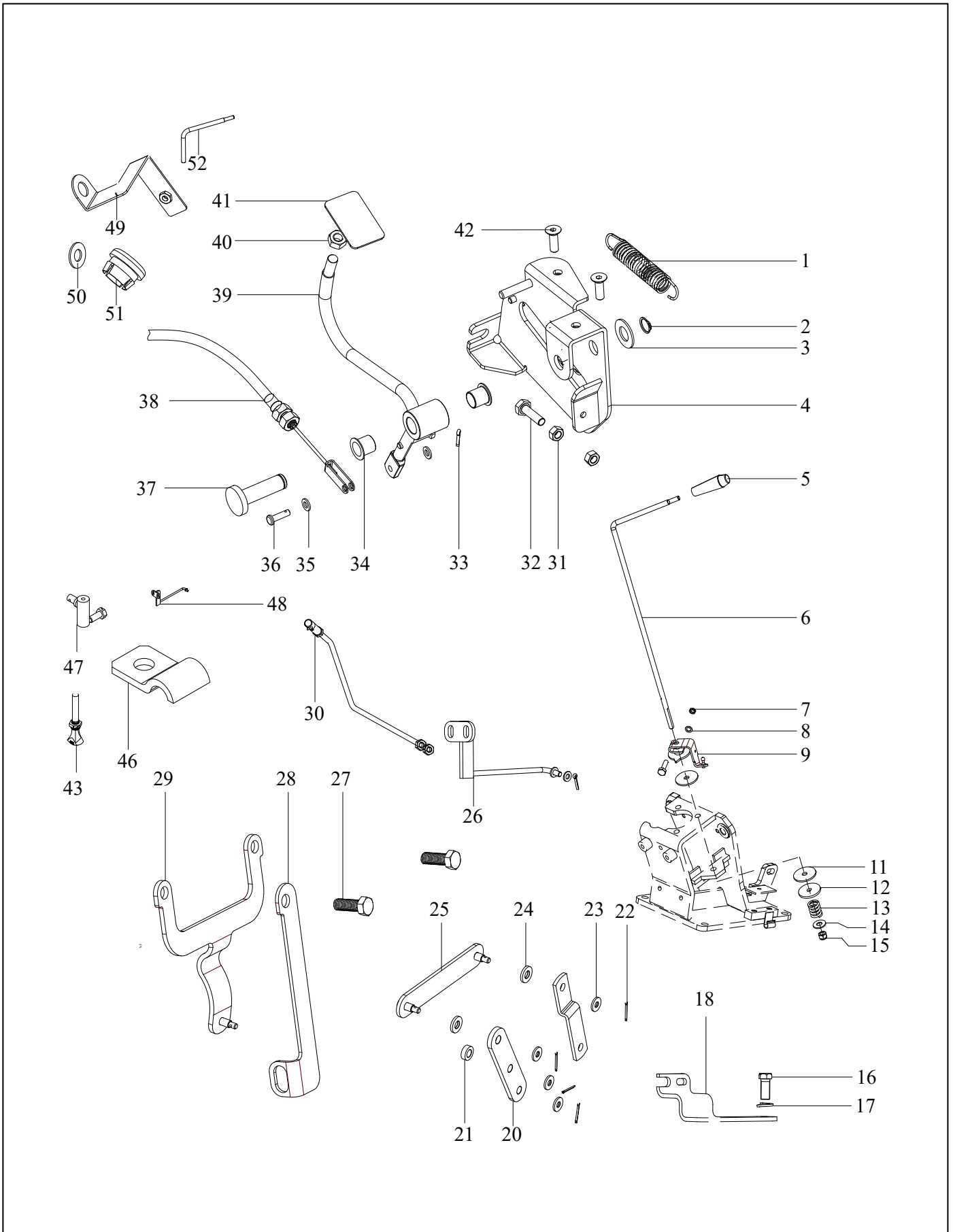
**TABLE-11A**  
**AIR CLEANER ASSEMBLY**



**TABLE-11A**  
**AIR CLEANER ASSEMBLY**

Fig. No.	Part No.	Description	Qty
1	D10368300.9	AIR CLEANER ASSEMBLY ENGINE AIR	1
2	D10313250.9	HOSE PRECLEANER TO AIR CLEANER	1
3	D10313240.9	BRACKET AIR CLEANER HOLDING REAR	2
4	D10452880.9	PRECLEANER ASSEMBLY ENGINE AIR	1
5	D10313380.9	CLAMP HOLDING PRECLENER	1
6	D10368350.9	BRACKET ASSEMBLY PRECLEANER	1
7	D10368340.9	BRACKET ASSEMBLY AIR CLEANER	1
8	D10335390.9	HOSE REDUCER ENGINE AIR INTAKE PIPE	1
9	D10313410.9	CLAMP ASSEMBLY HOSE (TB62)	1
10	D10335420.9	CLAMP ASSEMBLY HOSE (TB38)	1
11	D10363820.9	LINK ASSEMBLY HYDRAULIC LIFT LOWER LH	1
12	D10376740.9	CLAMP ASSEMBLY HOSE (TB36)	1
13	D10368330.9	HOSE ENGINE AIR CLEANER PIPE TO INTAKE MANIFOLD	1
14	D10370420.9	CLAMP HOSE AIR CLEANER PIPE SIDE	1
15	D10376750.9	INDICATOR DRY AIR CLEANER ELECTROMECHANICAL	1
16	D10327600.9	ELEMENT PRIMARY FILTER AIR CLEANER	1
17	D10327590.9	ELEMENT SECONDARY FILTER AIR CLEANER	1
18	D10245080.9	CLAMP ASSEMBLY HOSE (TB52)	2
19	D10297820.9	HOSE AIR CLEANER TO PIPE	1
20	D10299710.9	PIPE ENGINE AIR CLEANER OUTLET	1
21	D10315520.9	HOSE ENGINE AIR CLEANER OUTLET LOWER	1
22	D10012510.9	CLAMP ASSEMBLY RADIATOR HOSE UPPER	4

**TABLE-12**  
**THROTTLE CONTROL**

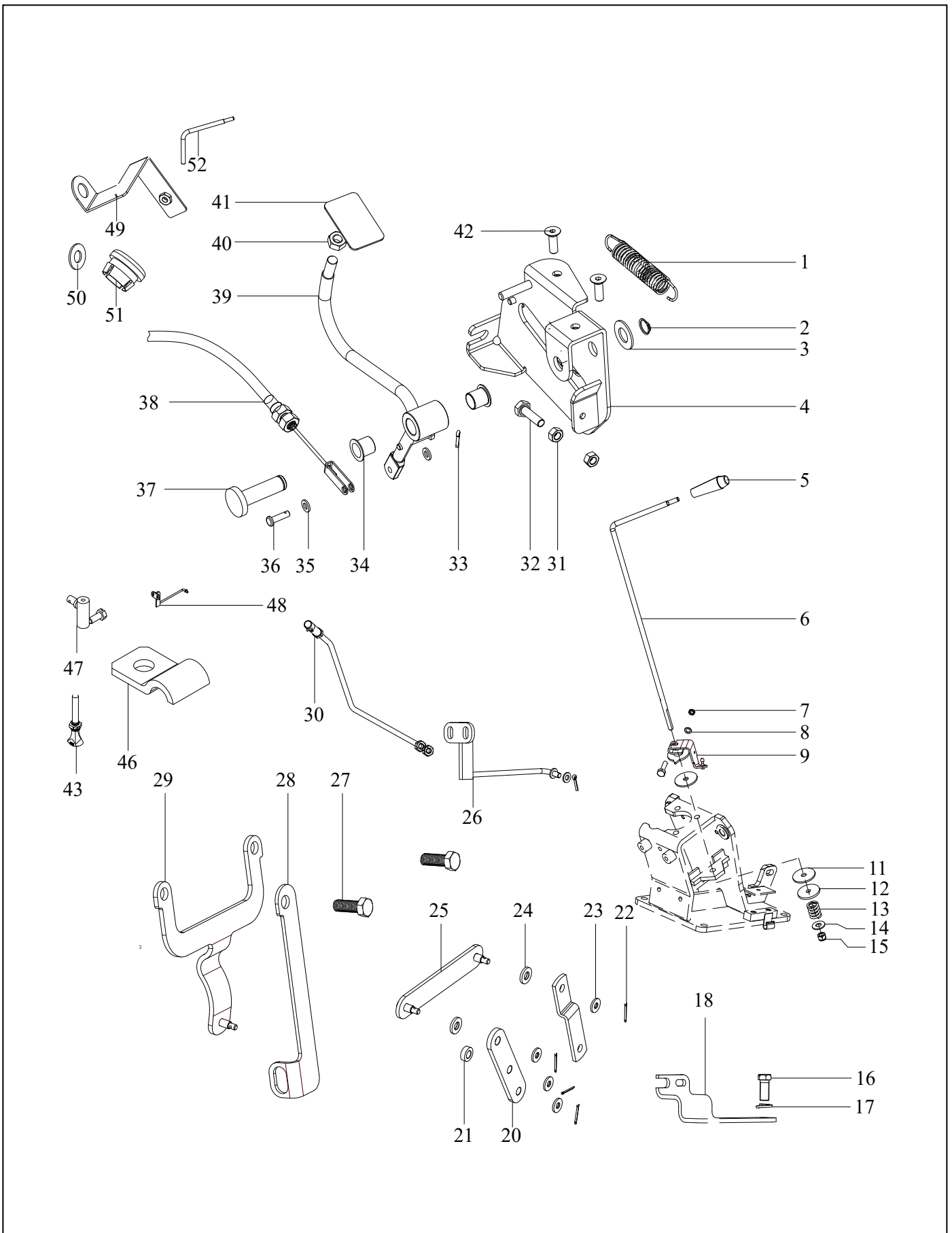


**TABLE-12**  
**THROTTLE CONTROL**

Fig. No.	Part No.	Description	Qty
1	D10258450.9	SPRING FOOT THROTTLE CONTROL RETURN	1
2	D90000180.9	CIRCLIP A15X0.90 SB	1
3	D10042730.9	WASHER 15.5X30 DIFFERENTIAL LOCK BUSH THRUST	1
4	D10398790.9	BRACKET ASSEMBLY FOOT THROTTLE CONTROL	1
5	D10288130.9	KNOB HAND THROTTLE CONTROL LEVER	1
5-1	D10215860.9	KNOB HAND THROTTLE CONTROL LEVER	1
6	D10258840.9	LEVER HAND THROTTLE CONTROL	1
7	D83500160.9	NUT M8X1.25 NYLOCK HEX	1
8	D85500130.9	WASHER M8 FLAT	1
9	D10280520.9	PLATE ASSEMBLY THROTTLE FRICTION DISC	1
11	D10018170.9	DISC THROTTLE CONTROL	2
12	D10017960.9	PLATE THROTTLE CONTROL	1
13	D10016480.9	SPRING GOVERNOR MANUAL CONTROL LEVER	1
14	D85000050.9	WASHER 3/8" FLAT	1
15	D10016890.9	NUT 3/8"-24 HEX	1
16	D81000060.9	BOLT 3/8"-16X1.00" HEX HEAD	1
17	D86000010.9	WASHER 3/8" SPRING LOCK	1
18	D10296860.9	BRACKET THROTTLE CONTROL CABLE HOLDER FRONT	1
20	D10156370.9	LEVER THROTTLE CONTROL ACTUATOR	1
21	D10060800.9	SPACER STEERING GEAR LASH ADJUSTER (6.4X12.0X4.0)	1
22	D10000640.9	PIN 1/16"X0.50" COTTER	4
23	D10060790.9	SPACER STEERING GEAR LASH ADJUSTER (4.7X12.0X1.5)	4
24	D10060780.9	SPACER STEERING GEAR LASH ADJUSTER (6.4X14.0X2.0)	2
25	D10296890.9	PLATE ASSEMBLY THROTTLE CONTROL ACTUATOR	1
25-1	D10227990.9	LINKAGE ASSEMBLY THROTTLE CONTROL	1
26	D10296920.9	ROD ASSEMBLY THROTTLE CONTROL	1
27	D81000280.9	BOLT 3/8"-16X1.00" HEX HEAD	2
28	D10296900.9	BRACKET THROTTLE CONTROL CABLE HOLDER FRONT	1
29	D10296870.9	BRACKET ASSEMBLY THROTTLE ACTUATOR	1
30	D10323380.9	ROD ASSEMBLY HAND THROTTLE CONTROL	1
30-1	D10399050.9	ROD ASSEMBLY THROTTLE CONTROL	1
31	D83500280.9	NUT M8X1.25 HEX	2
31-1	D83500060.9	NUT M8X1.25-6 HEX	2
32	D81500310.9	SCREW M8X1.25X30-8.8 HEX HEAD	2
33	D88400010.9	PIN 1.6X12.5 COTTER	1
34	D10292740.9	BUSH HYDRAULIC CONTROL LEVER	2
35	D85500040.9	WASHER M6 FLAT	2
36	D10016440.9	PIN 5.8X21 CLEVIS	1
37	D10309950.9	PIN FOOT THROTTLE PIVOT	1
38	D10329740.9	CABLE ASSEMBLY FOOT THROTTLE CONTROL	1



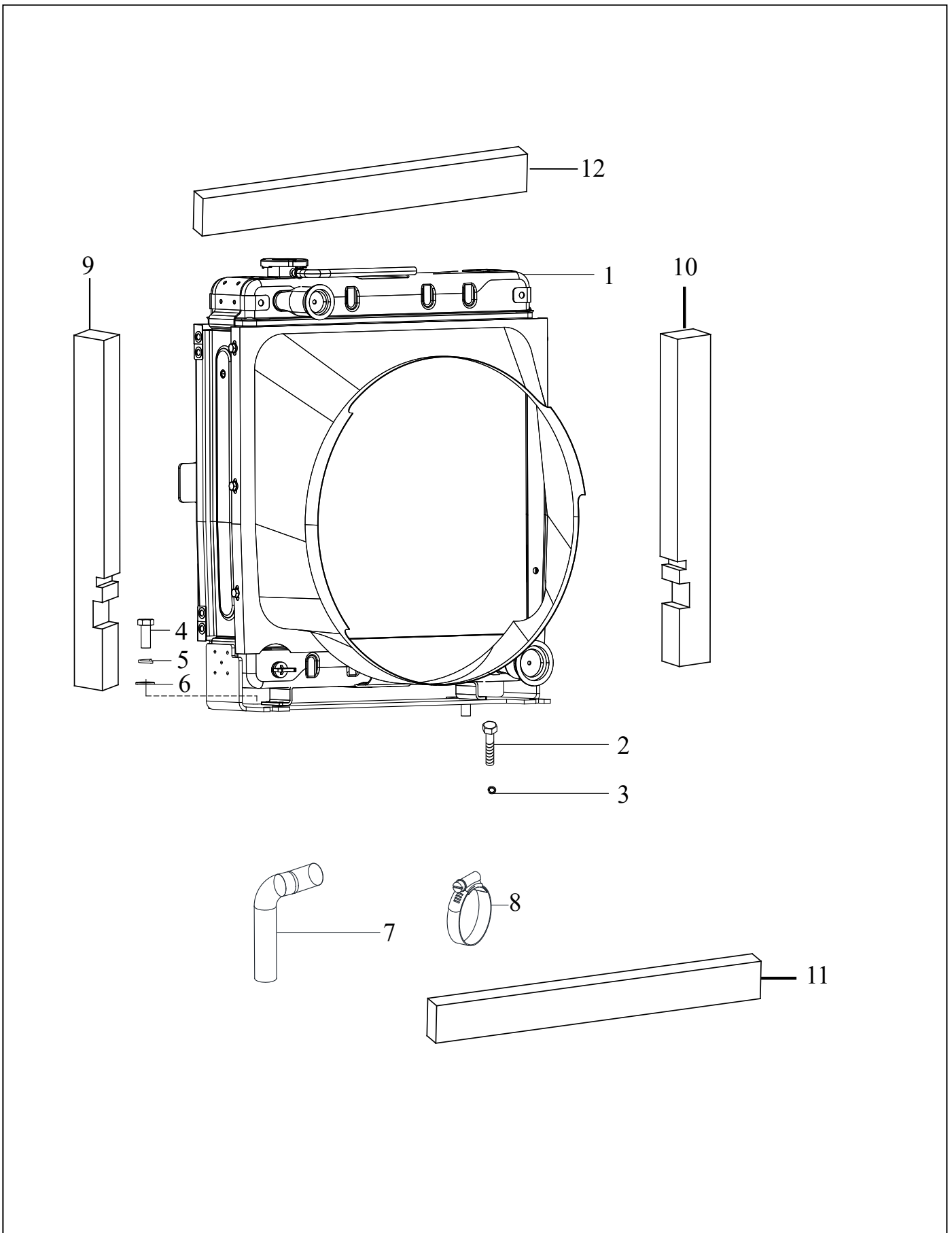
**TABLE-12**  
**THROTTLE CONTROL**



**TABLE-12**  
**THROTTLE CONTROL**

Fig. No.	Part No.	Description	Qty
39	D10258460.9	PEDAL ASSEMBLY FOOT THROTTLE CONTROL	1
40	D83500090.9	NUT M10X1.50-8 HEX	1
41	D10258470.9	PAD THROTTLE CONTROL LEVER	1
42	D82500760.9	SCREW M8X1.25X25-12.9 COUNTERSUNK HEAD	2
43	D10017670.9	CONTROL ASSEMBLY FUEL SHUT OFF	1
43-1	D10017670AF.9	CONTROL ASSEMBLY FUEL SHUT OFF	1
44	D86000060.9	WASHER 1/2" SPRING LOCK	1
45	D83000140.9	NUT 1/2"-20 HEX	1
46	D10017350.9	CLAMP FUEL SHUT OFF CABLE	1
47	D10011820.9	END ASSEMBLY FUEL SHUT OFF LEVER	1
47-1	D10151390.9	END ASSEMBLY FUEL SHUT OFF LEVER	1
48	D10296910.9	ROD THROTTLE CONTROL	1
49	D10017710.9	BRACKET ASSEMBLY FUEL SHUT OFF	1
50	D10011810.9	WASHER FIP SHUT OFF LEVER	1
51	D10515720.9	LEVER DIRECTION CONTROL VALVE	1
52	D10026540.9	GROMMET HAND THROTTLE CONTROL LEVER	2
52-1	D10015490.9	GROMMET HAND THROTTLE CONTROL LEVER	2

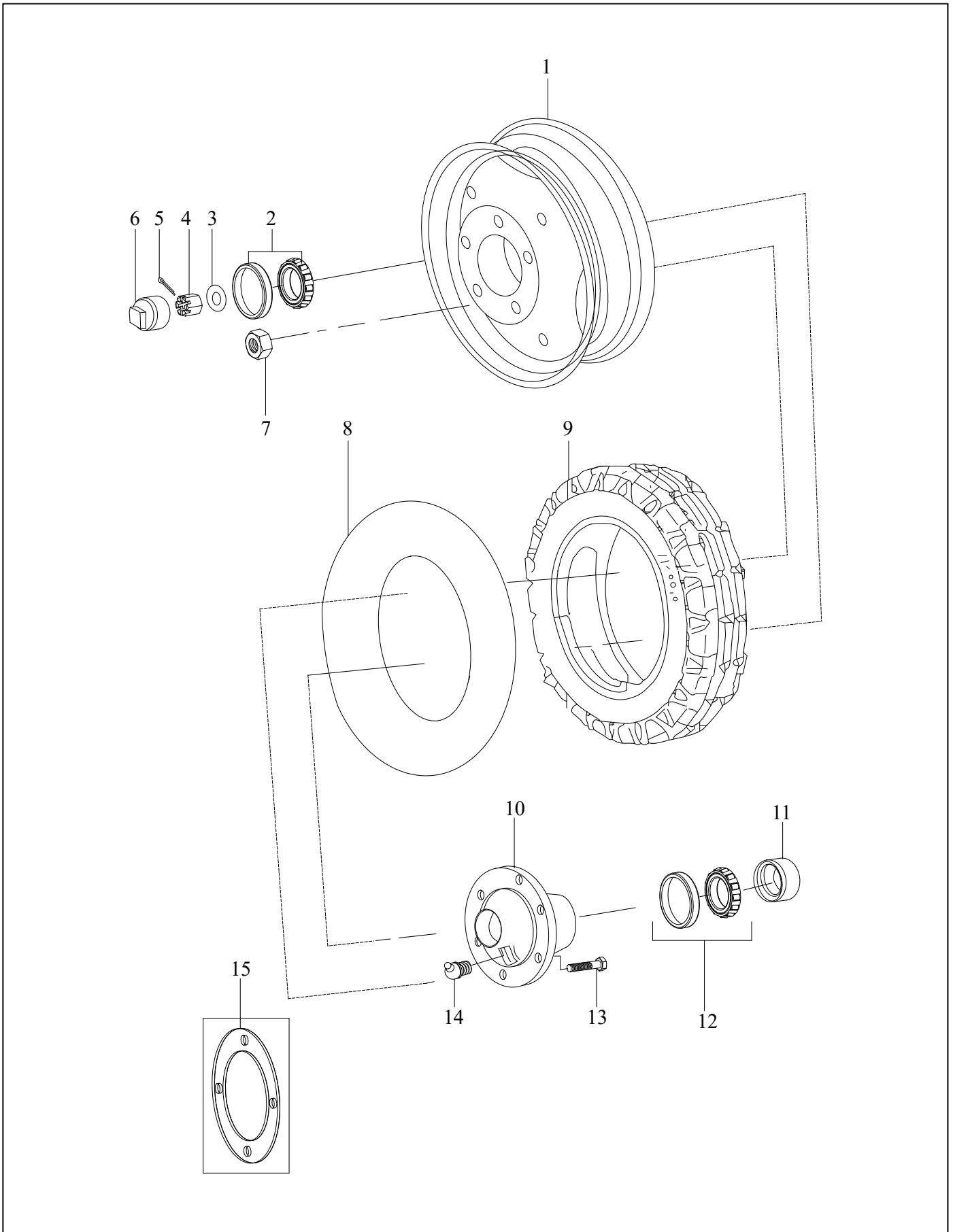
**TABLE-13**  
**RADIATOR ASSEMBLY**



**TABLE-13**  
**RADIATOR ASSEMBLY**

Fig. No.	Part No.	Description	Qty
1	D10441200.9	RADIATOR AND SHROUD ASSEMBLY	1
1-1	D11224500AA.9	RADIATOR AND SHROUD ASSEMBLY	1
2	D81500370.9	BOLT M10X1.50X30-9.8 HEX HEAD	2
3	D86500090.9	WASHER M10 SPRING LOCK	2
4	D81500560.9	BOLT M12X1.75X30-9.8 HEX HEAD	2
5	D86500020.9	WASHER M12 SPRING LOCK	2
6	D85500060.9	WASHER M12 FLAT	2
7	D10441260.9	HOSE WATER PUMP TO RADIATOR INLET	1
7-1	D10387900.9	HOSE WATER PUMP TO RADIATOR INLET	1
8	D10017620.9	CLAMP RADIATOR HOSE LOWER	2
9	D10581620.9	FOAM SEALING RADIATOR SIDE LH	1
10	D10581630.9	FOAM SEALING RADIATOR SIDE RH	1
11	D10581640.9	FOAM SEALING RADIATOR BOTTOM	1
12	D10581650.9	FOAM SEALING RADIATOR TOP	1
12-1	D10611500.9	FOAM SEALING RADIATOR TOP	1

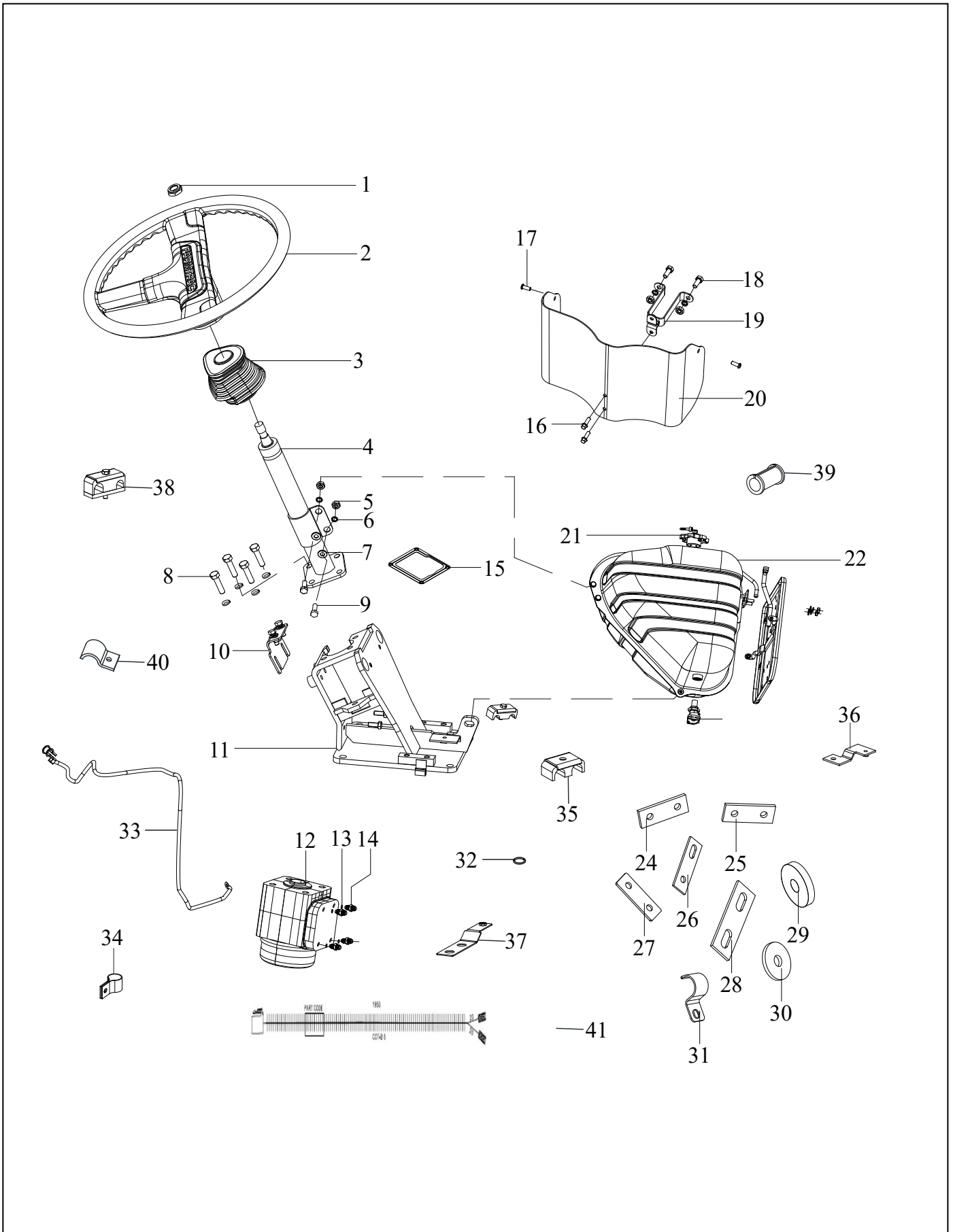
**TABLE-14**  
**FRONT WHEEL ASSEMBLY**



**TABLE-14**  
**FRONT WHEEL ASSEMBLY**

Fig. No.	Part No.	Description	Qty
1	D10389770.9	WHEEL ASSEMBLY FRONT 5.5X16 WITH PRIMER	2
1-1	D10370720.9	RIM ASSEMBLY FRONT WHEEL W5.5X16 (ANTIQUÉ SILVER)	2
2	D10012100.9	BEARING ASSEMBLY FRONT WHEEL OUTER	2
3	D10012970.9	WASHER FRONT HUB BEARING RETAINER	2
4	D10012980.9	NUT 1"-12 SLOTTED HEX	2
5	D88400080.9	PIN 5/32"X1.75" COTTER	2
6	D10213570.9	CAP HUB GREASE	2
6-1	D10584690.9	CAP FRONT AXLE HUB GREASE	2
7	D10018200.9	NUT FRONT WHEEL BOLT	12
8	D10499200.9	TUBE ASSEMBLY FRONT TYRE 7.5X16	2
9	D10499190.9	TYRE ASSEMBLY FRONT WHEEL 7.5X16	2
10	D10374520.9	HUB FRONT WHEEL (6 HOLE THREADED)	2
10-1	D10617260.9	HUB FRONT WHEEL	2
11	D10213700.9	SEAL FRONT AXLE HUB (SIDE SEALING)	2
12	D10013290.9	BEARING ASSEMBLY FRONT WHEEL INNER	2
13	D10374910.9	BOLT FRONT WHEEL HUB	12
14	D92000020.9	GREASE NIPPLE 1/2"-27 STRAIGHT FITTING	2
15	D10213580.9	GASKET FRONT WHEEL HUB COVER	1
15-1	D10695870.9	GASKET FRONT WHEEL HUB COVER	1

**TABLE-15**  
**STEERING MOTOR**

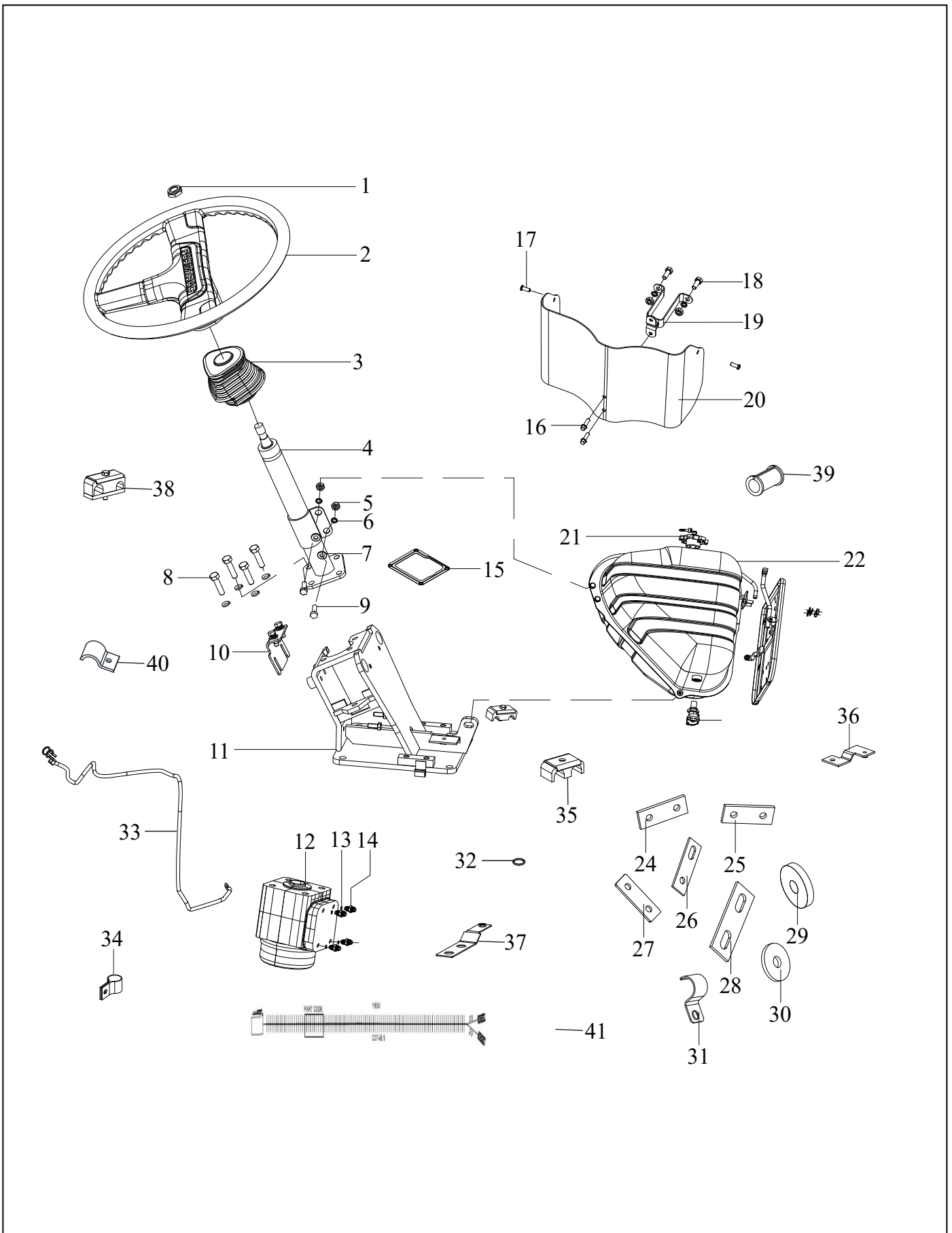


**TABLE-15**  
**STEERING MOTOR**

Fig. No.	Part No.	Description	Qty
1	D10018500.9	NUT NYLOCK STEERING WHEEL RETAINING	1
2	D10455770.9	WHEEL ASSEMBLY POWER STEERING	1
2-1	D10455770AD.9	WHEEL ASSEMBLY POWER STEERING	1
3	D10280240.9	BOOT STEERING COLUMN	1
4	D10304720.9	COLUMN ASSEMBLY POWER STEERING	1
5	D83500110.9	NUT M8X1.25-8 HEX	8
6	D86500030.9	WASHER M8 SPRING LOCK	15
7	D10034590.9	WASHER M8 FLAT	6
8	D81500610.9	BOLT M10X1.50X40-8.8 HEX HEAD	6
9	D81500590.9	BOLT M8X1.25X25-6.6 HEX HEAD	3
10	D10294850.9	BRACKET PANEL HOOD REAR MOUNTING	1
11	D10255350.9	BRACKET ASSEMBLY POWER STEERING MOUNTING	1
12	D10335990.9	MOTOR ASSEMBLY POWER STEERING	1
13	D93600070.9	SEAL O RING 0.087"X0.644"	4
14	D10021160.9	CONNECTER 1/2" FLX 3/4"-14 UNF STRAIGHT THREAD	4
15	D10333020.9	GASKET STEERING GEAR ASSEMBLY	1
16	D10011090.9	BOLT M6X1.00X20-6.6 HEX FLANGED (LUBE OIL PUMP)	2
17	D82000040.9	SCREW 1/4"-28X0.625 PAN HEAD	2
18	D81500110.9	BOLT M8X1.25X20-8.8 HEX HEAD	7
18-1	D82500040.9	SCREW M8X1.25X20-8.8 HEX HEAD	7
19	D10280990.9	BRACKET STEERING GEAR COVER REAR	1
20	D10254980.9	COVER ASSEMBLY STEERING GEAR	1
21	D10019100.9	CAP AND KEY ASSEMBLY FUEL TANK	1
22	D10401680.9	TANK ASSEMBLY FUEL	1
23	D10366610.9	TAP AND SCREEN ASSEMBLY FUEL CONTROL	1
24	D10401660.9	PAD RUBBER REAR FUEL TANK	1
25	D10401670.9	PAD RUBBER FRONT FUEL TANK	1
26	D10432870.9	PAD RUBBER FUEL TANK MOUNTING	2
26-1	D10432870AD.9	PAD RUBBER FUEL TANK MOUNTING	1
27	D10401650.9	PLATE SUPPORT RUBBER PAD FUEL TANK	1
28	D10378250.9	PLATE PAD RUBBER SUPPORT FUEL TANK UPPER FRONT	2
29	D10375010.9	PAD RUBBER FUEL TANK BOTTOM RH	1
29-1	D10375010AE.9	PAD RUBBER FUEL TANK BOTTOM RH	1
30	D10375020.9	PAD RUBBER FUEL TANK BOTTOM LH	1
31	D10504260.9	CLAMP POWER STEERING TUBE HOLDING	1
32	D93601130.9	SEAL O RING 1.78X12.42 (VITON)	2
33	D10577370.9	CABLE ASSEMBLY BATTERY TO STARTER SOLENOID	1
34	D10632340.9	CLAMP SUCTION TUBE HOLDING (DIA 25)	1
35	D10587620.9	CLAMP ASSEMBLY HYDRAULIC PRESSURE	1
36	D10617930.9	BRACKET ASSEMBLY HYDRAULIC DELIVERY TUBE MOUNTING	1



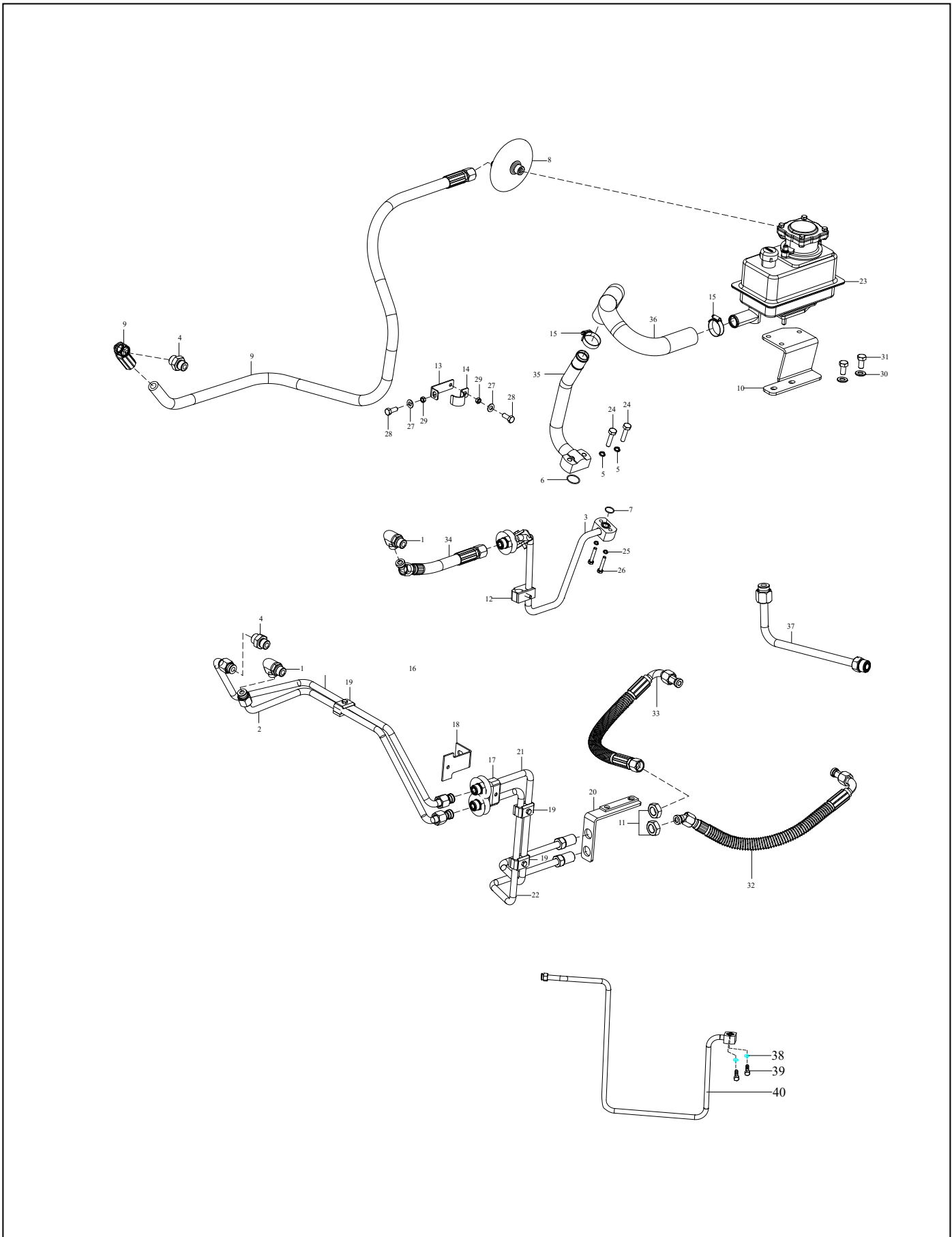
**TABLE-15**  
**STEERING MOTOR**



**TABLE-15**  
**STEERING MOTOR**

<b>Fig. No.</b>	<b>Part No.</b>	<b>Description</b>	<b>Qty</b>
37	D10619180.9	BRACKET ASSEMBLY HYDRAULIC PRESSURE TUBE HOLDING	1
38	D10536350.9	CLAMP ASSEMBLY HYDRAULIC PRESSURE TUBING	1
39	D10547990.9	GROMMET RUBBER DIA 16	1
40	D10548010.9	CLAMP TUBE HOLDING DIA 16	1
41	D10623280.9	HARNESS ASSEMBLY PIGTAIL CANOPY LAMP	1

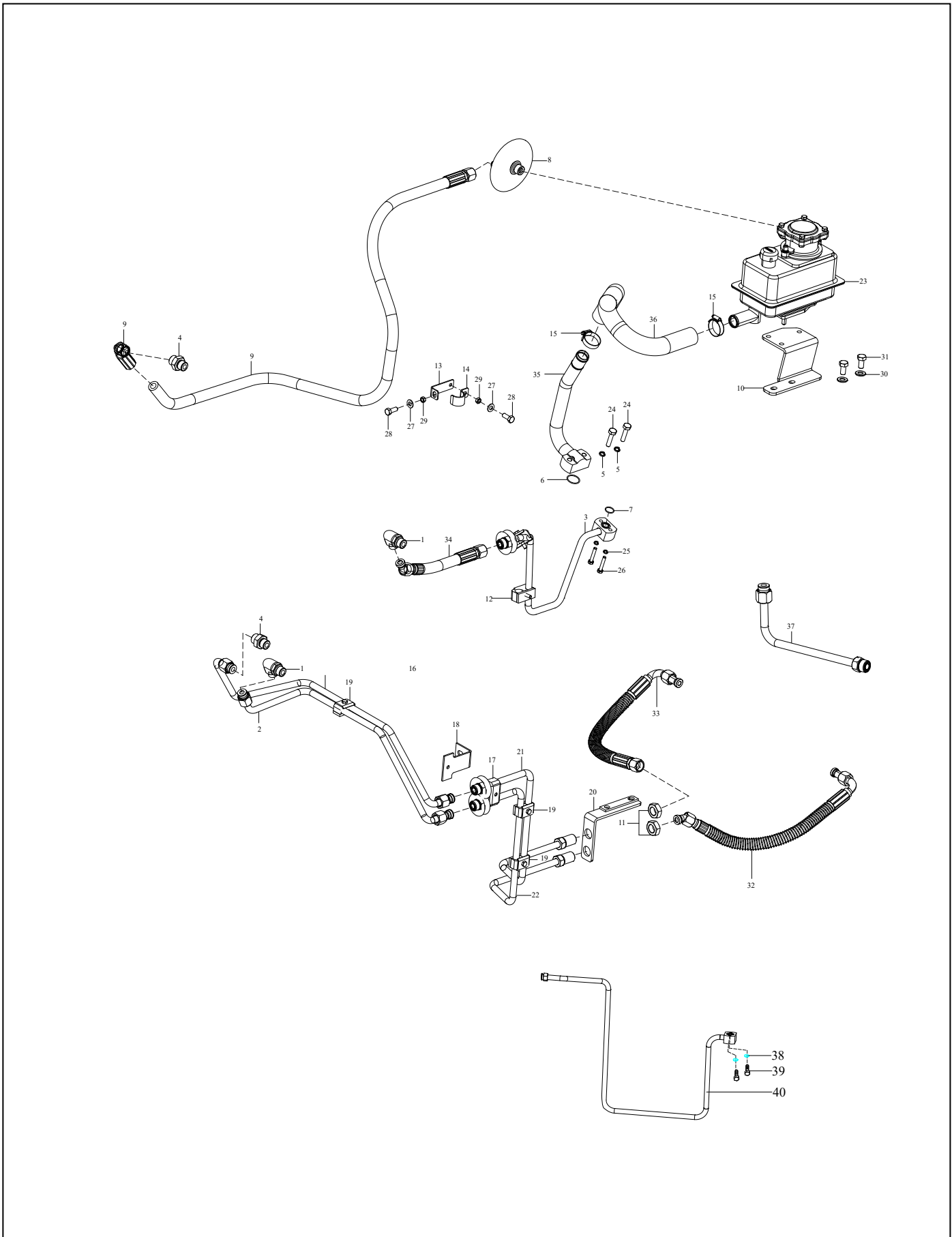
**TABLE-15A**  
**STEERING PIPES**



**TABLE-15A**  
**STEERING PIPES**

Fig. No.	Part No.	Description	Qty
1	D91500050.9	ELBOW 13/16 AND 3/4-16 UN	2
2	D10509870.9	TUBE ASSEMBLY STEERING MOTOR TO CONNECTOR RH	1
2-1	D10617890.9	TUBE ASSEMBLY RETURN STEERING MOTOR TO CONNECTOR	1
3	D10509810.9	TUBE ASSEMBLY STEERING PRESSURE TANDEM PUMP TO CONNECTOR	1
4	D10375240.9	ADAPTOR 13/16"-16 UN AND 3/4"-16 UNF	2
5	D86500030.9	WASHER M8 SPRING LOCK	2
6	D93600580.9	SEAL O RING 1.78X23.52	1
7	D93600670.9	SEAL O RING 1.78X15.6	1
8	D91500040.9	ELBOW 13/16-16 UNF AND 1/2-14 BSP	1
9	D10522650.9	HOSE ASSEMBLY STEERING MOTOR TO STEERING OIL RESERVOIR	1
9-1	D10628980.9	TUBE ASSEMBLY RETURN CONNECTOR TO STEERING RESERVOIR	1
10	D10522620.9	BRACKET ASSEMBLY POWER STEERING RESERVOIR	1
11	D83000400.9	NUT 13/16"-16 UN HEX	2
12	D10472160.9	CLAMP ASSEMBLY TUBING HYDRAULIC PRESSURE	2
13	D10504240.9	BRACKET ASSEMBLY POWER STEERING TUBE HOLDING	1
13-1	D10628940.9	BRACKET ASSEMBLY POWER STEERING TUBE HOLDING	1
14	D10504280.9	CLAMP TUBE HOLDING DIA 25	1
14-1	D10527370.9	CLAMP TUBE HOLDING DIA 12	1
15	D10013970.9	CLAMP HOSE 35A	2
16	D10509850.9	TUBE ASSEMBLY STEERING MOTOR TO CONNECTOR LH	1
17	D10296340.9	CLAMP ASSEMBLY TUBING POWER STEERING	1
18	D10315290.9	BRACKET POWER STEERING TUBE HOLDING	1
19	D10296350.9	CLAMP ASSEMBLY TUBING HYDRAULIC PRESSURE	3
20	D10510580.9	BRACKET ASSEMBLY POWER STEERING TUBING FRONT	1
20-1	D10628920.9	BRACKET ASSEMBLY POWER STEERING TUBING FRONT (LH)	1
21	D10509890.9	TUBE ASSEMBLY STEERING CONNECTOR TO HOSE LH	1
21-1	D10628960.9	TUBE ASSEMBLY STEERING CONNECTOR TO HOSE LH	1
22	D10509910.9	TUBE ASSEMBLY STEERING CONNECTOR TO HOSE RH	1
23	D10490500.9	RESERVOIR ASSEMBLY POWER STEERING OIL	1
23-1	D10490500AF.9	RESERVOIR ASSEMBLY POWER STEERING OIL	1
24	D81500030.9	BOLT M8X1.25X35-6.6 HEX HEAD	2
25	D86500040.9	WASHER M6 SPRING LOCK	2
26	D81500340.9	BOLT M6X1.00X35-8.0 HEX HEAD	2
27	D85500130.9	WASHER M8 FLAT	2
28	D81500110.9	BOLT M8X1.25X20-8.8 HEX HEAD	2
28-1	D82500040.9	SCREW M8X1.25X20-8.8 HEX HEAD	2
29	D83500220.9	NUT M6X1.00-5 HEX	4
30	D85500010.9	WASHER M10 FLAT	2
31	D10035900.9	SCREW M10X1.50X20-6.6 HEX HEAD	2
31-1	D82500350.9	SCREW M10X1.50X20-6.6 HEX HEAD	2

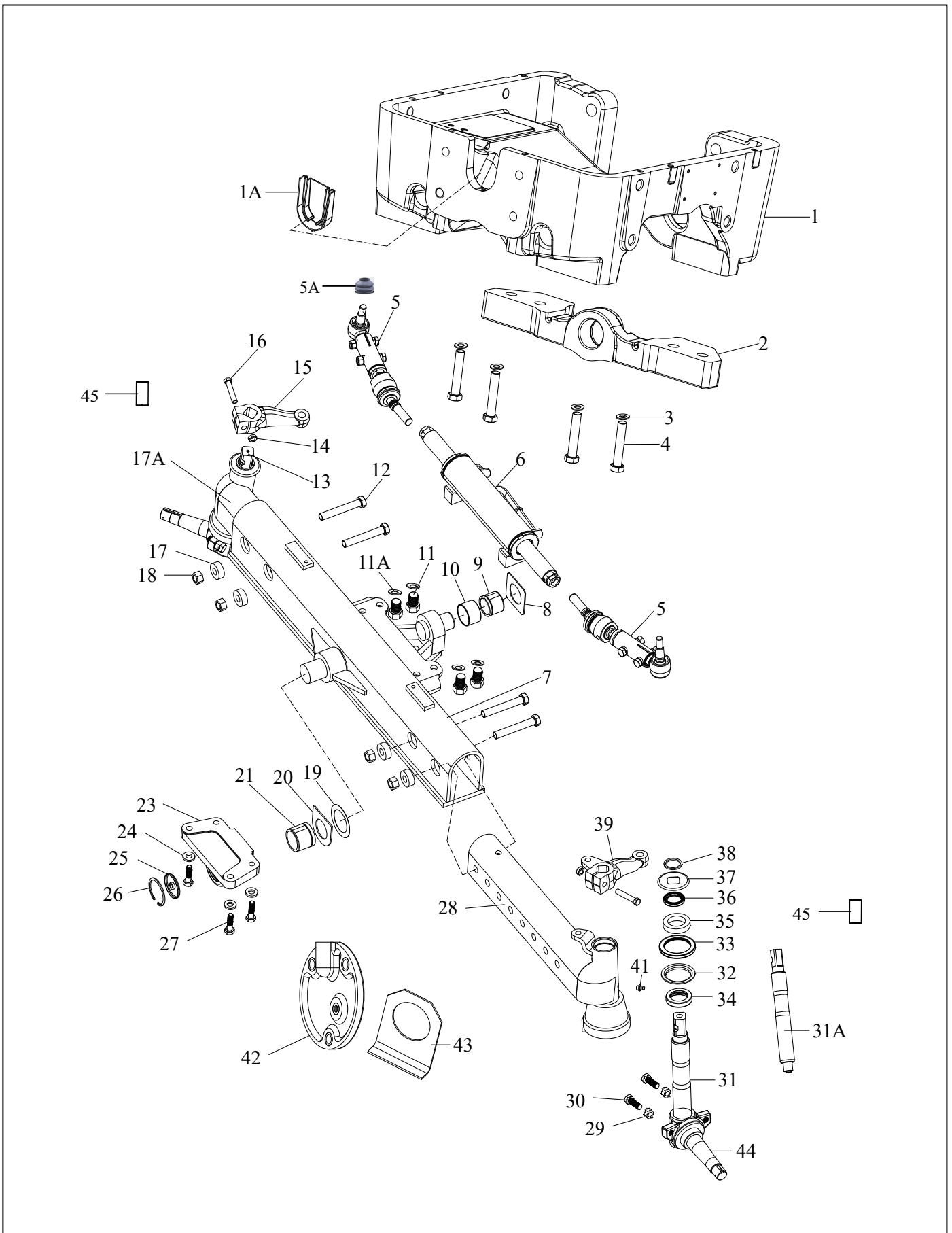
**TABLE-15A**  
**STEERING PIPES**



**TABLE-15A**  
**STEERING PIPES**

Fig. No.	Part No.	Description	Qty
32	D10509960.9	HOSE ASSEMBLY STEERING CYLINDER RH	1
33	D10511620.9	HOSE ASSEMBLY STEERING LH	1
34	D10553280.9	HOSE ASSEMBLY STEERING PRESSURE TANDEM PUMP TUBE TO STEERING MOTOR	1
34-1	D10617910.9	TUBE ASSEMBLY STEERING CONNECTOR TO STEERING MOTOR	1
35	D10546870.9	TUBE ASSEMBLY STEERING SUCTION RESERVOIR HOSE TO TANDEM PUMP	1
36	D10526800.9	HOSE STEERING SUCTION RESERVOIR TO TUBE TANDEM PUMP	1
37	D10509930.9	TUBE ASSEMBLY STEERING CYLINDER LH	1
38	D86500040.9	WASHER M6 SPRING LOCK	2
39	D81500340.9	BOLT M6X1.00X35-8.0 HEX HEAD	4
40	D10508620.9	TUBE ASSEMBLY SUCTION STEERING OIL RESERVOIR TO TENDOM PUMP INLET	1

**TABLE-16**  
**AXLE & STEERING PARTS**



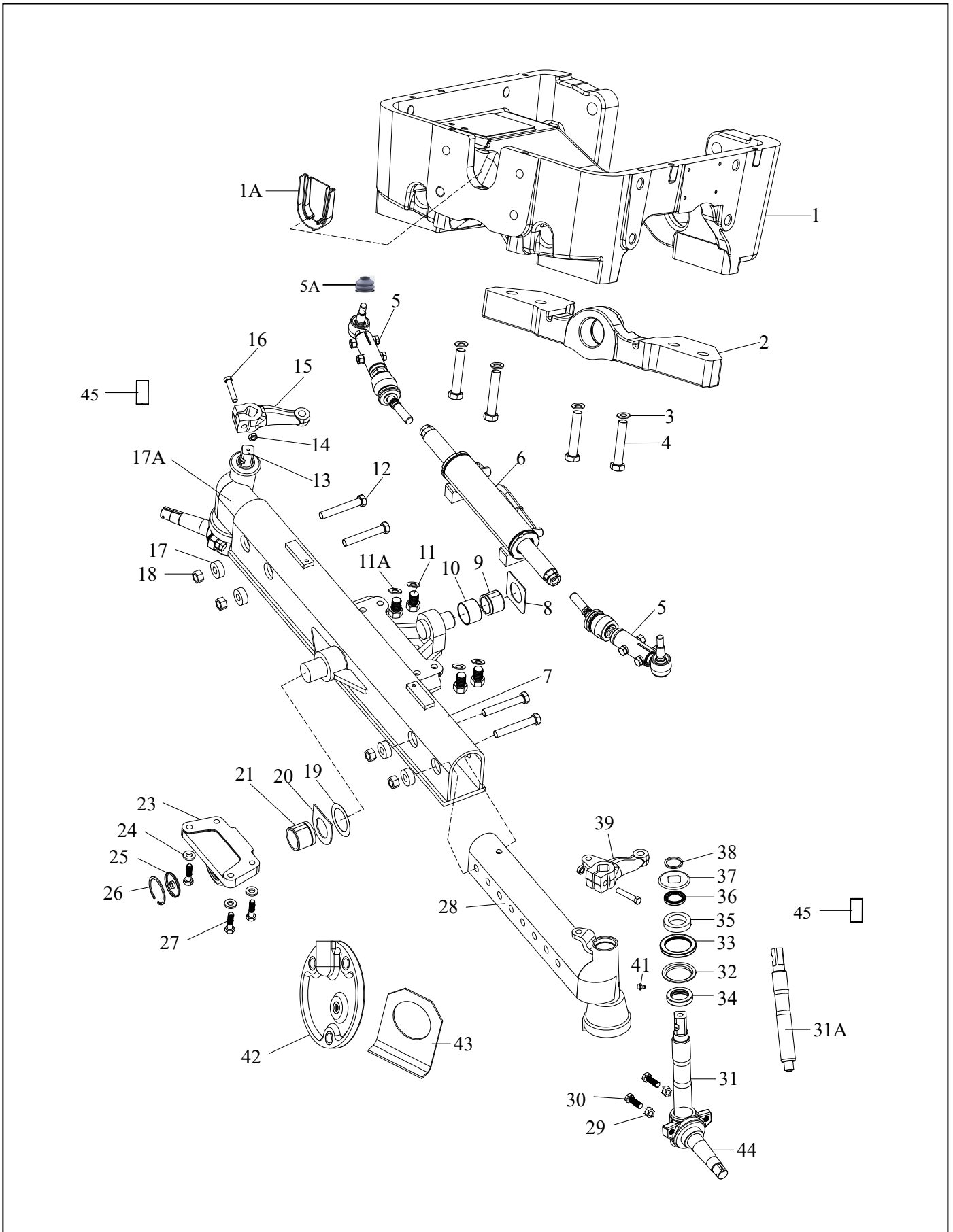
**TABLE-16**  
**AXLE & STEERING PARTS**

Fig. No.	Part No.	Description	Qty
1	D10297150.9	SUPPORT FRONT AXLE	1
1A	D10296670.9	PLUG DUST FRONT SUPPORT	1
2	D10286520.9	PILLOW BLOCK REAR	1
3	D86000150.9	WASHER 3/4" SPRING LOCK	4
3-1	D86500080.9	WASHER M20 SPRING LOCK	4
4	D81000910.9	BOLT 3/4"-10X3.50" HEX HEAD	4
5	D10406290.9	LINK ASSEMBLY STEERING DRAG	2
5-1	D10639090.9	CLAMP LINK ASSEMBLY STEERING DRAG (RANE STEERING PART NO 3127213901)	2
5-10	D10639080.9	TUBE SUBASSEMBLY LINK ASSEMBLY STEERING DRAG (RANE STEERING PART NO 2104134901)	2
5-11	D10639060.9	BALL JOINT AXIAL LINK ASSEMBLY STEERING DRAG (RANE STEERING PART NO 220536390)	2
5-12	D10484710.9	LINK ASSEMBLY STEERING DRAG LH	2
5-2	D10639100.9	BOLT M12X1.5X55 HEX HEAD (RANE STEERING PART NO 3010089901)	2
5-3	D10639150.9	BOOT RUBBER RADIAL JOINT LINK ASSEMBLY STEERING DRAG (RANE STEERING PART NO 3218374901)	2
5-4	D10639130.9	BOOT RUBBER AXIAL JOINT LINK ASSEMBLY STEERING DRAG (RANE STEERING PART NO 3118265901)	2
5-5	D10639070.9	BALL JOINT RADIAL LINK ASSEMBLY STEERING DRAG (RANE STEERING PART NO 210130890)	2
5-6	D10639110.9	WASHER M12 SPRING LOCK (RANE STEERING PART NO 3021003901)	2
5-7	D10639160.9	RING BOOT RADIAL JOINT LINK ASSEMBLY STEERING DRAG (RANE STEERING PART NO 3220353901)	2
5-8	D10639140.9	RING BOOT AXIAL JOINT LINK ASSEMBLY STEERING DRAG (RANE STEERING PART NO 3120262901)	2
5-9	D10639120.9	NUT M12 LOCK (RANE STEERING PART NO 3002026901)	2
5A	D10860480.9	DUST COVER (M/S QH TALBROS PART NO 3264X)	1
6	D10314350.9	CYLINDER ASSEMBLY POWER STEERING	1
6A	D10377510.9	KIT POWER STEERING CYLINDER SERVICE (DANTAL HYD PART NO DS12744)	1
7	D10331010.9	AXLE FRONT CENTRE POWER STEERING	1
8	D10013000.9	WASHER FRONT AXLE THRUST REAR	1
9	D10012650.9	BUSH FRONT AXLE SUPPORT	1
10	D10012790.9	SLEEVE FRONT AXLE CENTRE	1
11	D81500740.9	BOLT M14X2.00X35-10.9 HEX HEAD LOCK	4
12	D81000940.9	BOLT 5/8"-11X4.50" HEX HEAD	4
13	D10292100.9	SPINDLE ASSEMBLY FRONT AXLE RH (SQUARE TYPE)	1
13-1	D10520560.9	SPINDLE ASSEMBLY FRONT AXLE RH	1
13-2	D10292100.9	SPINDLE ASSEMBLY FRONT AXLE RH (SQUARE TYPE)	1
13E	D10203520.9	GUARD SPINDLE SEAL	1
14	D83000040.9	NUT 7/16"-14HEX	2
15	D10305590.9	ARM STEERING SPINDLE FRONT AXLE WITH LOCK (SQUARE TYPE)	1
15-1	D10492480.9	ARM STEERING SPINDLE FRONT AXLE LH	1
16	D81000490.9	BOLT 7/16"-14X2.25"HEX HEAD	2
17	D10103070.9	SPACER FRONT AXLE	4
17A	D10256900.9	AXLE FRONT RH	1
17A-1	D10520530.9	AXLE ASSEMBLY FRONT RH	1
18	D83000090.9	NUT 5/8"-11 HEX	4





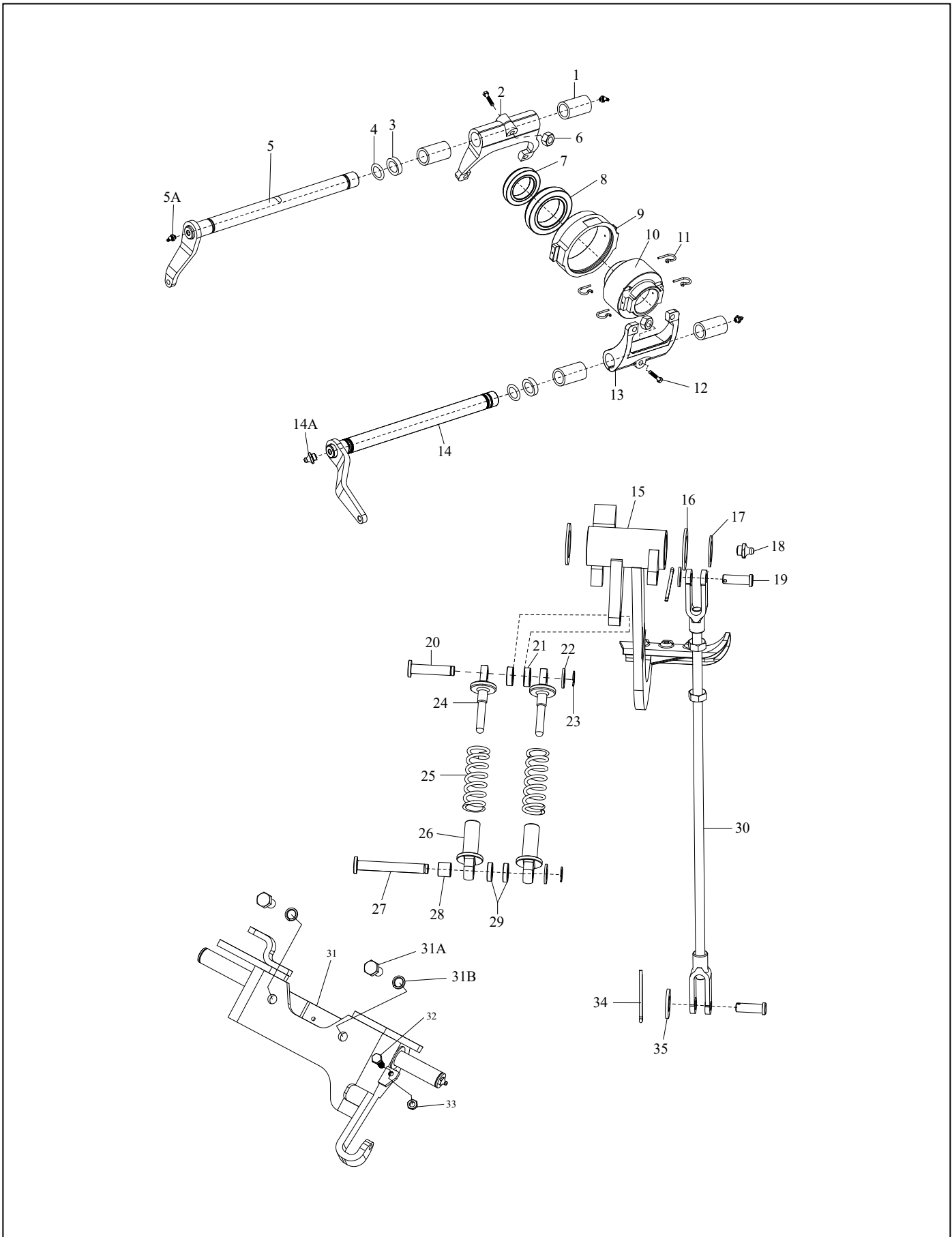
**TABLE-16**  
**AXLE & STEERING PARTS**



**TABLE-16**  
**AXLE & STEERING PARTS**

Fig. No.	Part No.	Description	Qty
19	D10012730.9	SHIM FRONT AXLE CENTRE PIN (0.016")	2
20	D10012880.9	WASHER FRONT AXLE CENTRE PIN THRUST	1
21	D10012600.9	SLEEVE FRONT AXLE TRUNION CENTRE	1
23	D10286530.9	FRONT SUPPORT (PILLOW BLOCK)	1
24	D10003580.9	WASHER 1/2" FLAT	4
25	D10013020.9	PLUG AND NUT ASSEMBLY FRONT AXLE TRUNION	1
25-1	D10252510.9	PLUG AND NUT ASSEMBLY FRONT AXLE TRUNION	1
26	D90500120.9	CIRCLIP B62X2.0 N	1
27	D81000380.9	BOLT 1/2"-13X2.50" HEX HEAD	4
28	D10256910.9	AXLE FRONT LH	1
28-1	D10520540.9	AXLE ASSEMBLY FRONT LH	1
29	D83500250.9	NUT M12X1.75-10 HEX	4
30	D82500790.9	SCREW M12X1.75X45-10.9 HEX HEAD	4
31	D10292090.9	SPINDLE ASSEMBLY FRONT AXLE LH (SQUARE TYPE)	1
31-1	D10520550.9	SPINDLE ASSEMBLY FRONT AXLE LH	1
31-2	D10292090.9	SPINDLE ASSEMBLY FRONT AXLE LH (SQUARE TYPE)	1
31A	D10236640.9	PIN FRONT WHEEL SPINDLE (SQUARE TYPE)	1
31B	D10248280.9	PIN FRONT WHEEL SPINDLE SQUARE TYPE (MACHINED)	1
32	D10042940.9	COVER SEAL DUST UPPER	2
33	D10042910.9	SEAL ASSEMBLY LOWER FRONT AXLE SPINDLE	2
34	D10042930.9	SPACER FRONT WHEEL SPINDLE THRUST	2
34-1	D10501530.9	SPACER FRONT WHEEL SPINDLE THRUST	2
35	D10039800.9	BEARING ASSEMBLY FRONT AXLE SPINDLE THRUST	2
36	D10012810.9	SEAL FRONT AXLE SPINDLE UPPER	2
37	D10192400.9	COVER FRONT AXLE SPINDLE SEAL DUST UPPER (SQUARE TYPE)	2
37-1	D10108300.9	COVER FRONT AXLE SPINDLE SEAL DUST	2
38	D10012840.9	SEAL FRONT AXLE SPINDLE	1
38-1	D10012310.9	SEAL SPINDLE FRONT AXLE UPPER	1
39	D10302870.9	ARM STEERING SPINDLE FRONT AXLE SQUARE TYPE (SEMI FINISHED)	1
41	D92500020.9	GREASE NIPPLE A M10X1	3
42	D10287040.9	PLATE FRONT AXLE SUPPORT	1
43	D10013010.9	WASHER FRONT AXLE CENTRE REAR	1
44	D10257110.9	SPINDLE FRONT WHEEL	1
45	D10640200.9	BUSH FRONT SPINDLE	4

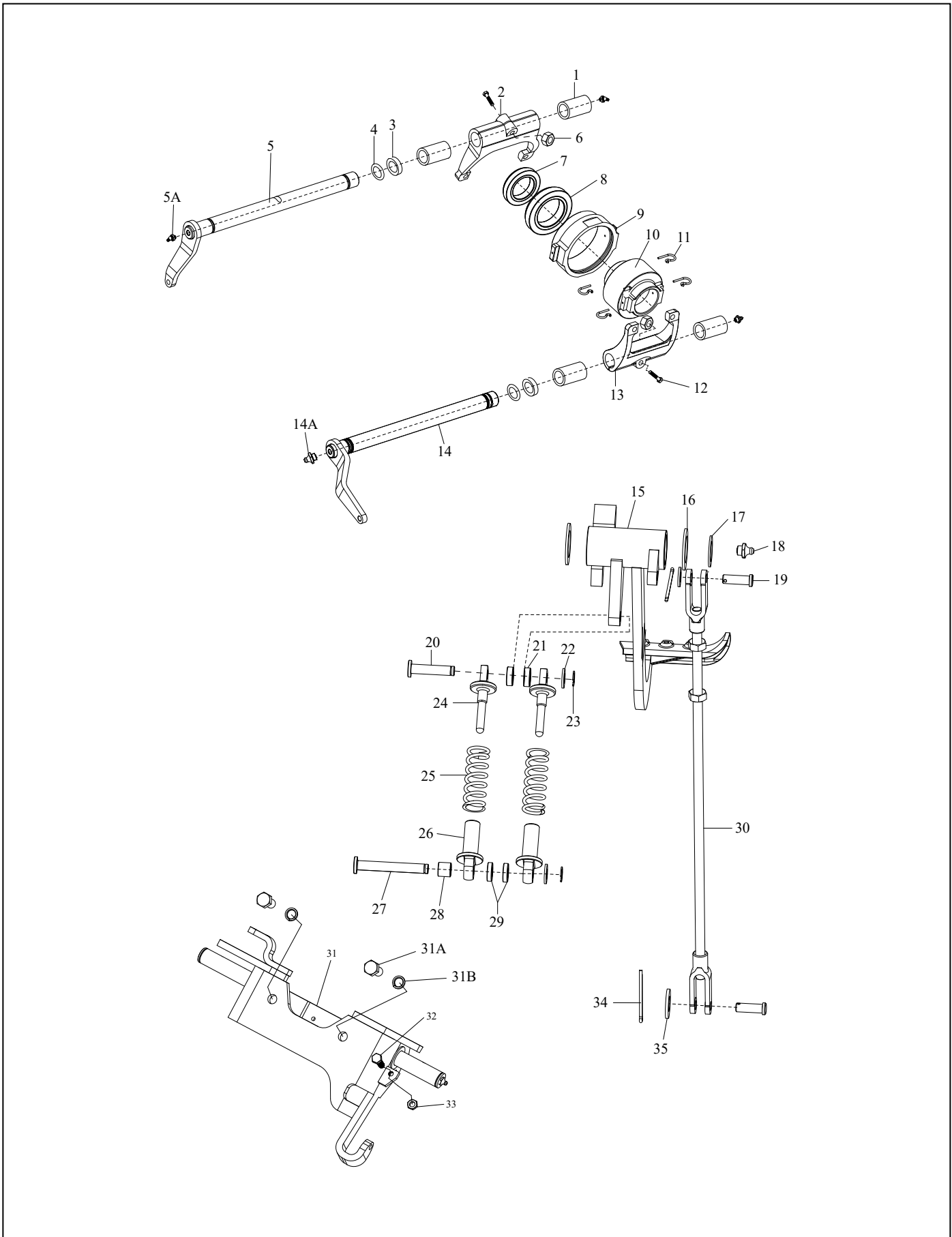
**TABLE-17**  
**CLUTCH CONTROLS**



**TABLE-17**  
**CLUTCH CONTROLS**

Fig. No.	Part No.	Description	Qty
1	D10188380.9	BUSH CLUTCH RELEASE SHAFT WITH OUT GRAPHITE INDENTATION	4
2	D10309330.9	FORK ASSEMBLY CLUTCH RELEASE PTO	1
3	D10001490.9	WASHER CLUTCH RELEASE SHAFT	2
4	D93600490.9	SEAL O RING 2.65X23.6	4
5	D10301250.9	SHAFT AND LEVER ASSEMBLY PTO CLUTCH RELEASE	1
5A	D92500090.9	GREASE NIPPLE B M10X1 WITH LOCKNUT	1
6	D10001520.9	NUT 3/8"-16 HEX PREVAILING TORQUE	2
7	D10093320.9	BEARING ASSEMBLY PTO CLUTCH RELEASE	1
8	D10228590.9	BEARING ASSEMBLY CLUTCH RELEASE	1
9	D10309070.9	HUB CLUTCH RELEASE BEARING PTO	1
10	D10309060.9	HUB CLUTCH RELEASE BEARING MAIN	1
11	D10282220.9	SPRING CLUTCH RELEASE BEARING SLEEVE RETURN INDEPENDENT PTO	4
12	D10001510.9	BOLT CLUTCH RELEASE FORK TO SHAFT	2
13	D10309320.9	FORK ASSEMBLY CLUTCH RELEASE MAIN	1
14	D10255980.9	SHAFT ASSEMBLY CLUTCH RELEASE	1
14A	D92500020.9	GREASE NIPPLE A M10X1	3
15	D10255970.9	PEDAL ASSEMBLY TRANSMISSION CLUTCH	1
16	D10012260.9	WASHER BRAKE PEDAL CROSS SHAFT THRUST	2
16A	D10309310.9	SPRING PTO SHAFT CONTROL	1
16B	D10309110.9	PLATE SPRING MOUNTING PTO SHAFT	1
16C	D10309120.9	LEVER ASSEMBLY PTO SHAFT RETURN	1
16D	D87000160.9	PIN 1/4"X1.50" SPRING DOWEL COMBINATION TYPE	1
17	D90000570.9	CIRCLIP A28X1.5 N	1
18	D92500020.9	GREASE NIPPLE A M10X1	3
19	D93400030.9	PIN 3/8"X1.14" CLEVIS	2
20	D10256140.9	PIN GUIDE CLUTCH SPRING UPPER	1
21	D10256790.9	BUSH CLUTCH PEDAL UPPER	2
22	D85500140.9	WASHER M10 FLAT	3
23	D10006220.9	CIRCLIP C8X1.00 N	2
24	D10256110.9	FORK GUIDE CLUTCH SPRING UPPER	2
25	D10256100.9	SPRING CLUTCH PEDAL	2
26	D10256120.9	FORK GUIDE CLUTCH SPRING LOWER	2
27	D10256130.9	PIN GUIDE CLUTCH SPRING LOWER	1
28	D10256720.9	BUSH CLUTCH PEDAL	1
29	D10256780.9	BUSH CLUTCH PEDAL LOWER	2
30	D10297260.9	ROD AND CLEVIS ASSEMBLY CLUTCH CONTROL	1
31	D10255360.9	BRACKET ASSEMBLY BRAKE AND CLUTCH PEDAL MOUNTING	1
31A	D81500250.9	BOLT M16X2.00X35-8.8P HEX HEAD	2
31B	D86500060.9	WASHER M16 SPRING LOCK	2
32	D81500880.9	BOLT M10X1.5X35-8.8 HEX HEAD	2

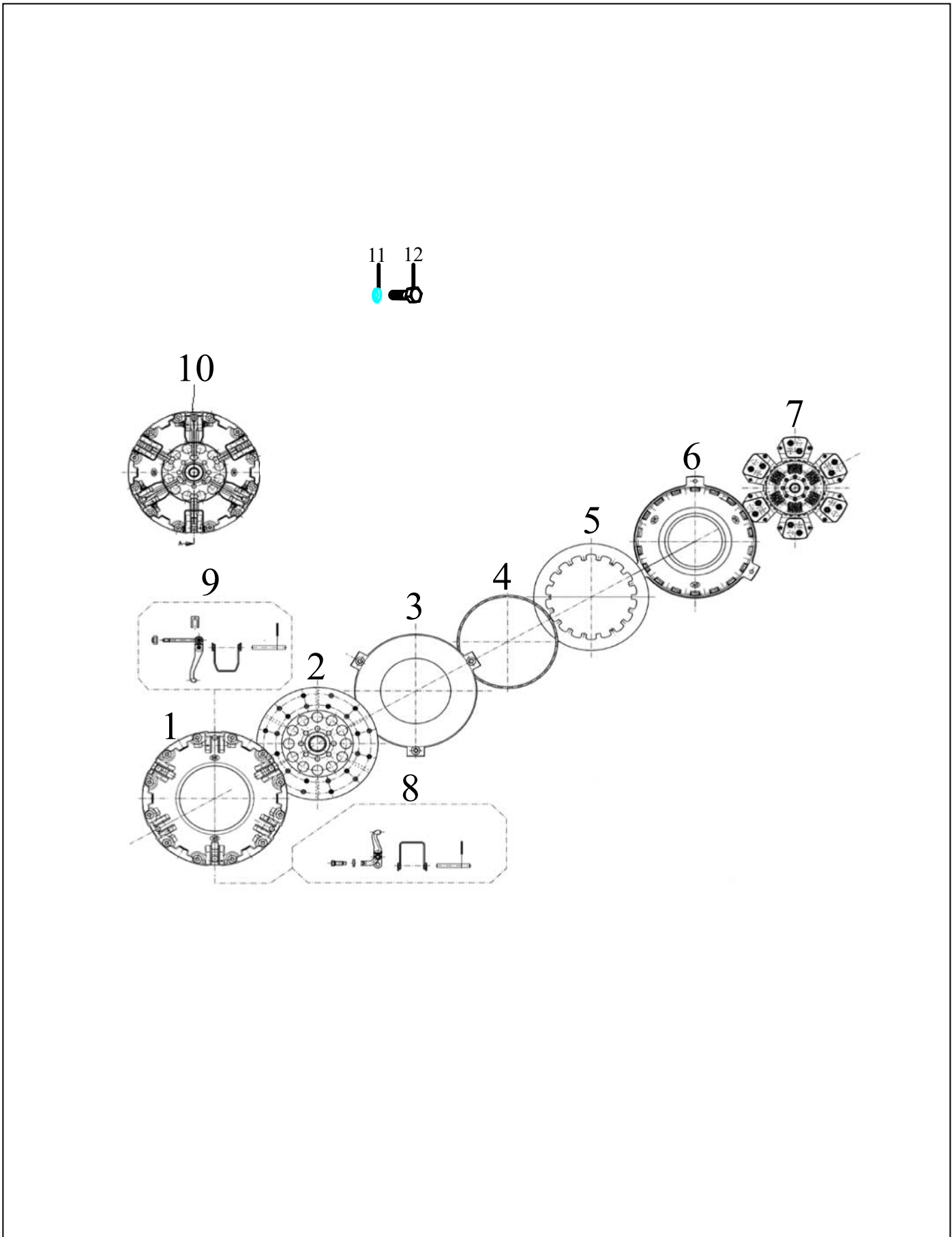
**TABLE-17**  
**CLUTCH CONTROLS**



**TABLE-17**  
**CLUTCH CONTROLS**

<b>Fig. No.</b>	<b>Part No.</b>	<b>Description</b>	<b>Qty</b>
32-1	D81500210.9	BOLT M10X1.50X35-6.6P HEX HEAD	2
33	D83500210.9	NUT M10X1.50-5 HEX	1
34	D10013460.9	PIN 1/8"X0.75" COTTER	2
35	D85500140.9	WASHER M10 FLAT	2

**TABLE-18**  
**CLUTCH ASSY IPTO 11**

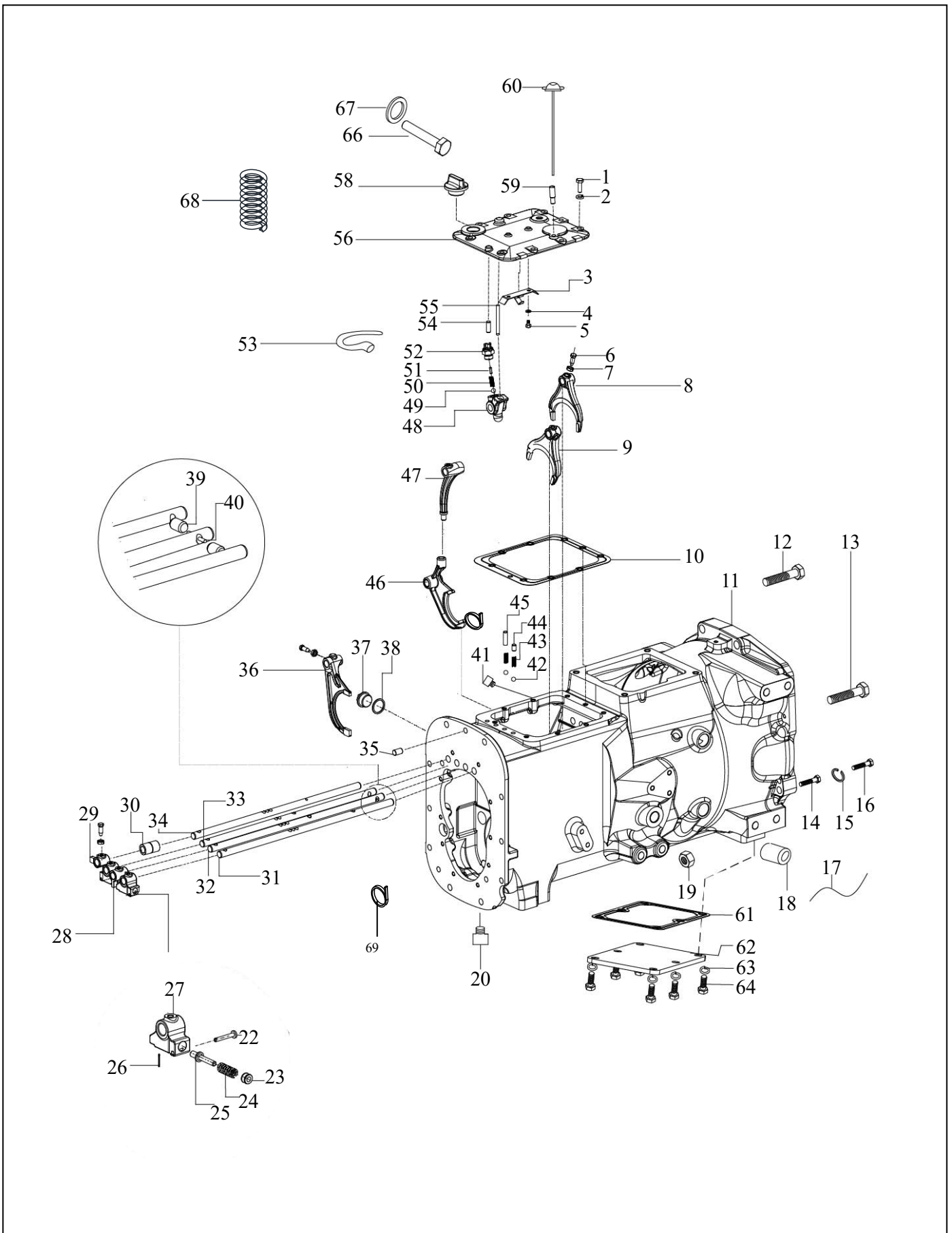




**TABLE-18**  
**CLUTCH ASSY IPTO 11**

Fig. No.	Part No.	Description	Qty
1	D10327940.9	COVER CLUTCH HOUSING (LUK PART NO L-2101-0P11)	1
2	D10327950.9	DISC ASSEMBLY CLUTCH PTO (LUK PART NO L-03028-0PGT)	1
3	D10327920.9	PLATE PRESSURE PTO CLUTCH (LUK PART NO L-02103-0P10)	1
4	D10327960.9	RING FULCRUM (LUK PART NO L-02165-0115)	1
5	D10327910.9	SPRING DIAPHRAGM (LUK PART NO L-04127-0005)	1
6	D10327930.9	PLATE PRESSURE MAIN CLUTCH (LUK PART NO L-02103-0432)	1
7	D10430170.9	DISC CLUTCH MAIN DRIVE CERAMETALLIC 11"	1
7-1	D10360870.9	CLUTCH ASSEMBLY INDEPENDENT PTO 11"X11" (CERAMETALLIC)	1
8	D10327980.9	KIT REPAIR PTO CLUTCH (LUK PART NO L-02615-1009)	3
9	D10327970.9	KIT REPAIR MAIN CLUTCH (LUK PART NO L-02615-1010)	3
10	D10245840.9	PLATE AND COVER ASSEMBLY CERAMETALLIC INDEPENDENT PTO CLUTCH	1
11	D86500030.9	WASHER M8 SPRING LOCK	12
12	D10042970.9	BOLT M8X1.25X100 (CLUTCH COVER)	12

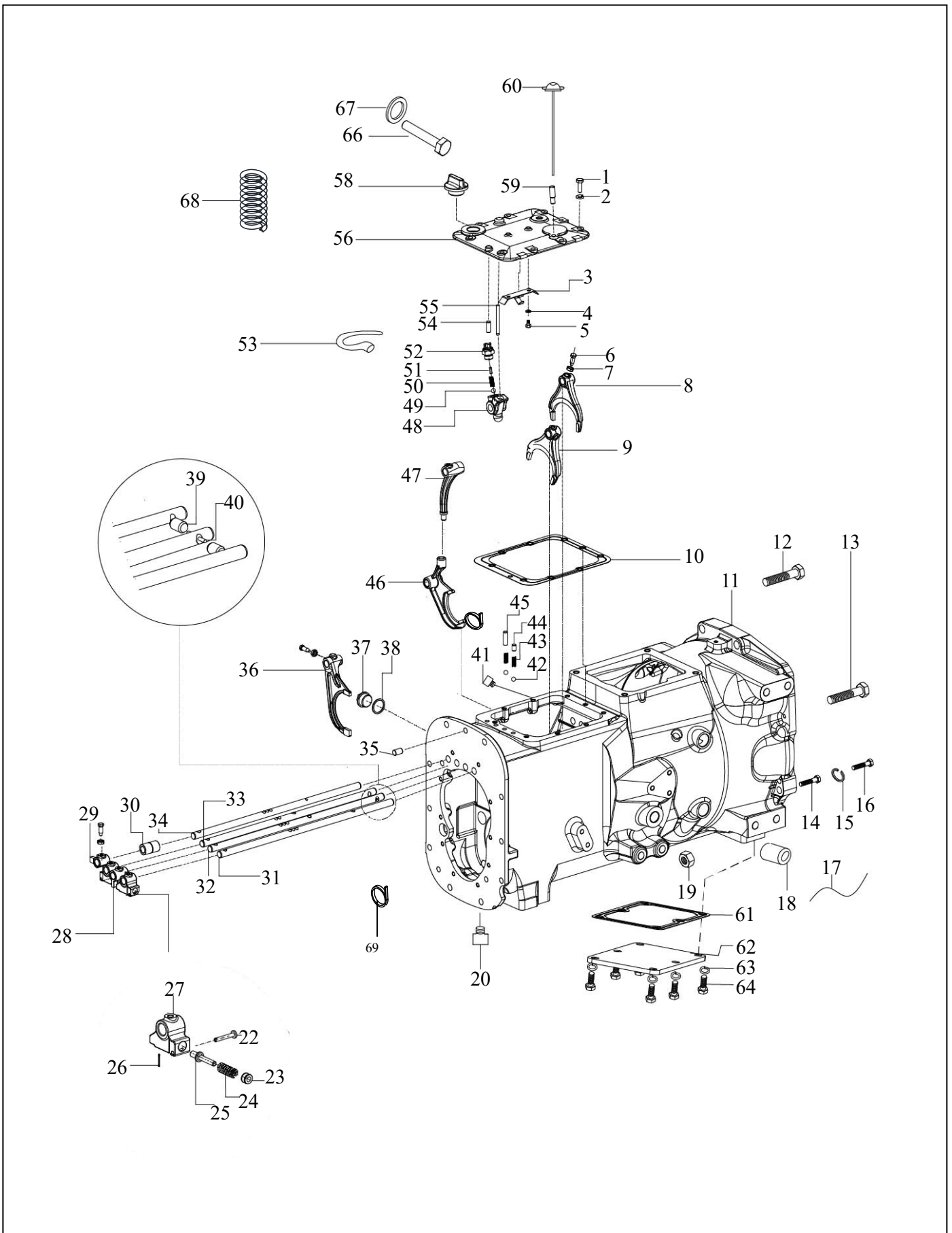
**TABLE-19**  
**TRANSMISSION CASE AND SHIFT LEVERS**



**TABLE-19**  
**TRANSMISSION CASE AND SHIFT LEVERS**

Fig. No.	Part No.	Description	Qty
1	D81000060.9	BOLT 3/8"-16X1.00" HEX HEAD	7
2	D86000010.9	WASHER 3/8" SPRING LOCK	7
3	D10249720.9	CLIP HARNESS SAFETY SWITCH	1
4	D86000050.9	WASHER 1/4" SPRING LOCK	2
5	D10085720.9	SCREW M6X10 (SELF LOCK)	2
6	D10000550.9	SCREW TRANSMISSION CONNECTOR LOCK	8
7	D83000010.9	NUT 3/8"-24 HEX	8
8	D10250000.9	FORK TRANSMISSION GEAR SHIFT 1ST AND 3RD SPEED	1
9	D10000540.9	FORK TRANSMISSION GEAR SHIFT HIGH LOW	1
10	D10001950.9	GASKET COVER CASE TRANSMISSION	1
11	D10295630.9	CASE ASSEMBLY TRANSMISSION	1
12	D81000580.9	BOLT 3/4"-16X2.75" HEX HEAD	2
13	D81000590.9	BOLT 5/8"-11X2.375" HEX HEAD	2
14	D81000600.9	BOLT 5/8"-11X3.75" HEX HEAD	2
15	D86000020.9	WASHER 7/16" SPRING LOCK	2
16	D81000090.9	BOLT 7/16"-14X1.25" HEX HEAD	2
17	D10107630.9	WIRE LOCKING GEAR SHIFTING PLATE TO COVER	1
18	D10188380.9	BUSH CLUTCH RELEASE SHAFT WITH OUT GRAPHITE INDENTATION	4
19	D83000090.9	NUT 5/8"-11 HEX	2
20	D10213110.9	PLUG DRAIN 3/4-14 NPTF (MAGNETIC)	1
22	D93400010.9	PIN 3/16"X1.219" CLEVIS	1
23	D10000670.9	RETAINER SELECTOR SPRING PLUNGER	1
24	D10240590.9	SPRING CONNECTOR GEAR SHIFTING 1ST 3RD AND 4TH SPEED	1
25	D10000650.9	PLUNGER TRANSMISSION GEAR SHIFT ARM	1
26	D10000640.9	PIN 1/16"X0.50" COTTER	1
27	D10219480.9	CONNECTOR GEAR SHIFTING 1ST 3RD AND 4TH SPEED (SIDE SHIFTING GEAR)	1
28	D10219490.9	CONNECTOR GEAR SHIFTING 2ND AND REVERSE (SIDE SHIFTING GEAR)	1
29	D10219500.9	CONNECTOR GEAR SHIFTING HIGH LOW (SIDE SHIFTING GEAR)	1
30	D10299750.9	SLEEVE STOPPER GEAR SHIFT(SIDE SHIFT)	1
31	D10219460.9	RAIL TRANSMISSION GEAR SHIFT 4TH SPEED (SIDE SHIFTING GEAR)	1
32	D10219440.9	RAIL TRANSMISSION GEAR SHIFT 1ST AND 3RD SPEED (SIDE SHIFTING GEAR)	1
33	D10219450.9	RAIL TRANSMISSION GEAR SHIFT 2ND AND REVERSE SPEED (SIDE SHIFTING GEAR)	1
34	D10219470.9	RAIL TRANSMISSION GEAR SHIFT HIGH LOW SPEED (SIDE SHIFTING GEAR)	1
35	D10000090.9	DOWEL 1/2"X0.8125" PLAIN	2
36	D10220170.9	FORK TRANSMISSION GEAR SHIFT HIGH LOW (SIDE SHIFTING GEAR)	1
37	D10238120.9	PLUG M30X1.5X12 WELCH	1
38	D10107280.9	WASHER COPPER HYDRAULIC LIFT (36X30X2)	1
39	D10000310.9	INTERLOCK TRANSMISSION GEAR SHIFTING	2
40	D10005570.9	PIN GEAR SHIFT RAIL INTERLOCK	1
41	D93100010.9	PLUG 1/4"-18 PIPE	1

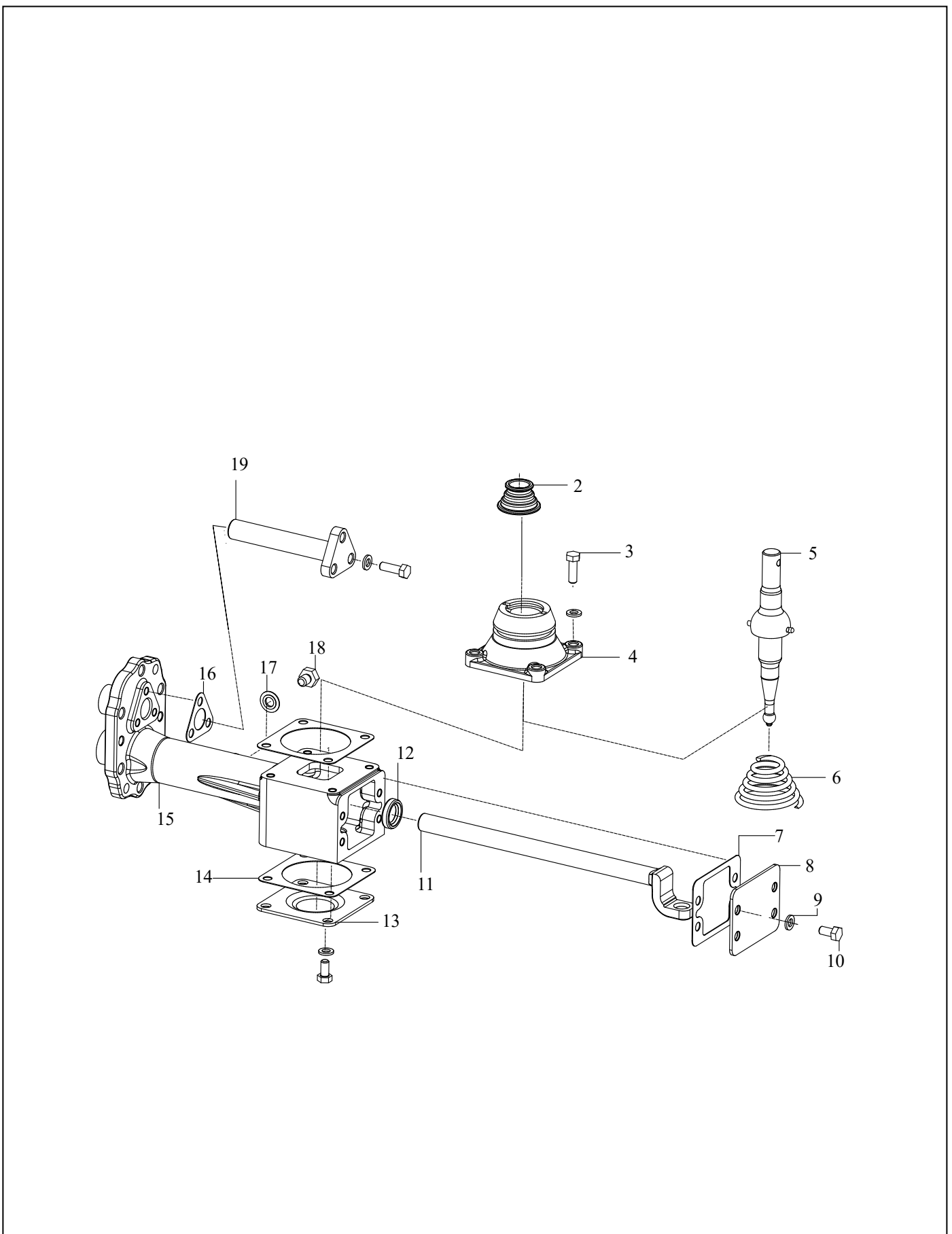
**TABLE-19**  
**TRANSMISSION CASE AND SHIFT LEVERS**



**TABLE-19**  
**TRANSMISSION CASE AND SHIFT LEVERS**

Fig. No.	Part No.	Description	Qty
42	D10000490.9	BALL 3/8" DIAMETER	4
43	D10000690.9	SPRING TRANSMISSION GEAR SHIFT	4
44	D10000710.9	PIN TRANSMISSION GEAR SHIFT	1
45	D10000700.9	PIN 3/8"X1.26/1-27 STRAIGHT	3
46	D10254450.9	FORK TRANSMISSION GEAR SHIFT 4TH SPEED	1
47	D10220160.9	ARM TRANSMISSION 4TH SPEED (SIDE SHIFTING GEAR)	1
48	D10179670.9	RETAINER SAFETY START SWITCH	1
49	D10000490.9	BALL 3/8" DIAMETER	1
50	D10000500.9	SPRING SAFETY START SWITCH	1
51	D10000510.9	PLUNGER SAFETY START SWITCH	1
52	D10000520.9	SWITCH ASSEMBLY TRANSMISSION CONTROL SELECTOR NEUTRAL	1
53	D10001920.9	HARNESS ASSEMBLY TRANSMISSION	1
54	D10107600.9	PIN DOWEL	1
55	D10107610.9	PIN	1
56	D10426860.9	COVER ASSEMBLY TOP TRANSMISSION CASE (SIDE SHIFTING GEAR)	1
58	D10004030.9	BREATHER ASSEMBLY TRANSMISSION OIL FILLER	1
58-1	D11251550AA.9	BREATHER ASSEMBLY TRANSMISSION	1
59	D10107620.9	TUBE OIL LEVEL INDICATOR	1
60	D10191970.9	INDICATOR ASSEMBLY TRANSMISSION OIL	1
61	D10435210.9	GASKET CLUTCH INSPECTION COVER	1
62	D10228930.9	COVER CLUTCH INSPECTION CASE TRANSMISSION	1
63	D86000040.9	WASHER 5/16" SPRING LOCK	6
64	D81000200.9	BOLT 5/16"-18X0.75 HEX HEAD	6
66	D81500190.9	BOLT M8X1.25X45-8.8P HEX HEAD	1
67	D10017510.9	WASHER FIP LEAK OFF TUBE (TYPE 603)	1
68	D10195960.9	SPRING TRANSMISSION PTO SHIFTER PLATE	4
69	D10203560.9	CLAMP GROMMET GEAR SHIFTING LEVER	4

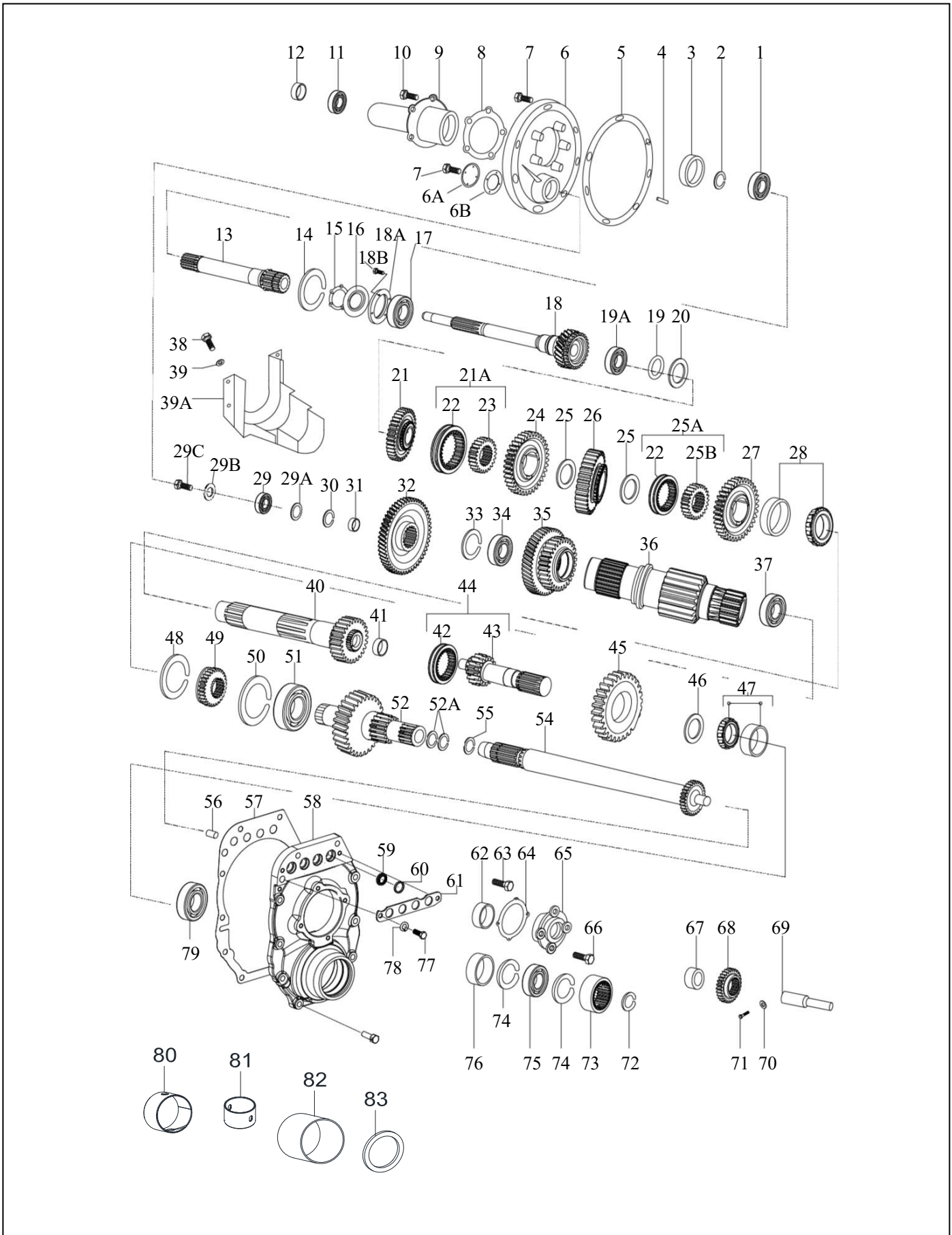
**TABLE-20**  
**MAIN GEAR SIDE SHIFT EXTERNAL**



**TABLE-20**  
**MAIN GEAR SIDE SHIFT EXTERNAL**

Fig. No.	Part No.	Description	Qty
2	D10242760.9	BOOT HOUSING MOUNTING MAIN GEAR SHIFT LEVER	1
3	D82500010.9	SCREW M8X1.25X28-8.8 HEX HEAD	7
4	D10499350.9	HOUSING MOUNTING MAIN GEAR SHIFT LEVER (SIDE SHIFTING GEAR)	1
5	D10239400.9	LEVER ASSEMBLY HIGH LOW GEAR SHIFTING TRANSMISSION	1
6	D10242830.9	SPRING GEAR SHIFTING LEVER TRANSMISSION (SIDE SHIFTING GEAR)	1
7	D10424270.9	GASKET PLATE HOUSING MAIN GEAR SHIFT LEVER (SIDE SHIFTING GEAR)	1
8	D10220340.9	PLATE HOUSING MAIN GEAR SHIFT LEVER (SIDE SHIFTING GEAR)	1
8-1	D10492120.9	PLATE HOUSING MAIN GEAR SHIFT LEVER (SIDE SHIFTING GEAR)	1
9	D86500030.9	WASHER M8 SPRING LOCK	15
10	D81501420.9	BOLT M8X1.25X15 HEX HEAD	8
10-1	D82500070.9	SCREW M8X1.25X15-6.8 HEX HEAD	8
11	D10290450.9	ROD LINK ASSEMBLY MAIN GEAR SHIFT LEVER (SIDE SHIFTING GEAR)	1
12	D10220420.9	SEAL OIL 18X30X7	1
13	D10424280.9	COVER HOUSING MAIN GEAR SHIFT LEVER (SIDE SHIFTING GEAR)	1
14	D10005710.9	GASKET RETAINER GEAR SHIFT LEVER BALL	2
15	D10221400.9	HOUSING ASSEMBLY TRANSMISSION MAIN GEAR SHIFT LEVER (SIDE SHIFTING GEAR)	1
15-1	D10482430.9	HOUSING ASSEMBLY TRANSMISSION MAIN GEAR SHIFT LEVER (SIDE SHIFTING)	1
16	D10220350.9	GASKET PIN LEVER CONNECTOR MAIN GEAR SHIFT HOLD (SIDE SHIFTING GEAR)	1
17	D10006750.9	WASHER 10X22 SCREW RAIL	1
18	D10007670.9	SCREW M10X1.50X12-6.8 HEX HEAD	1
19	D10220320.9	PIN LEVER CONNECTOR MAIN GEAR SHIFT HOLD (SIDE SHIFTING GEAR)	1

**TABLE-21**  
**8+2 SPEED TRANSMISSION GEARS**

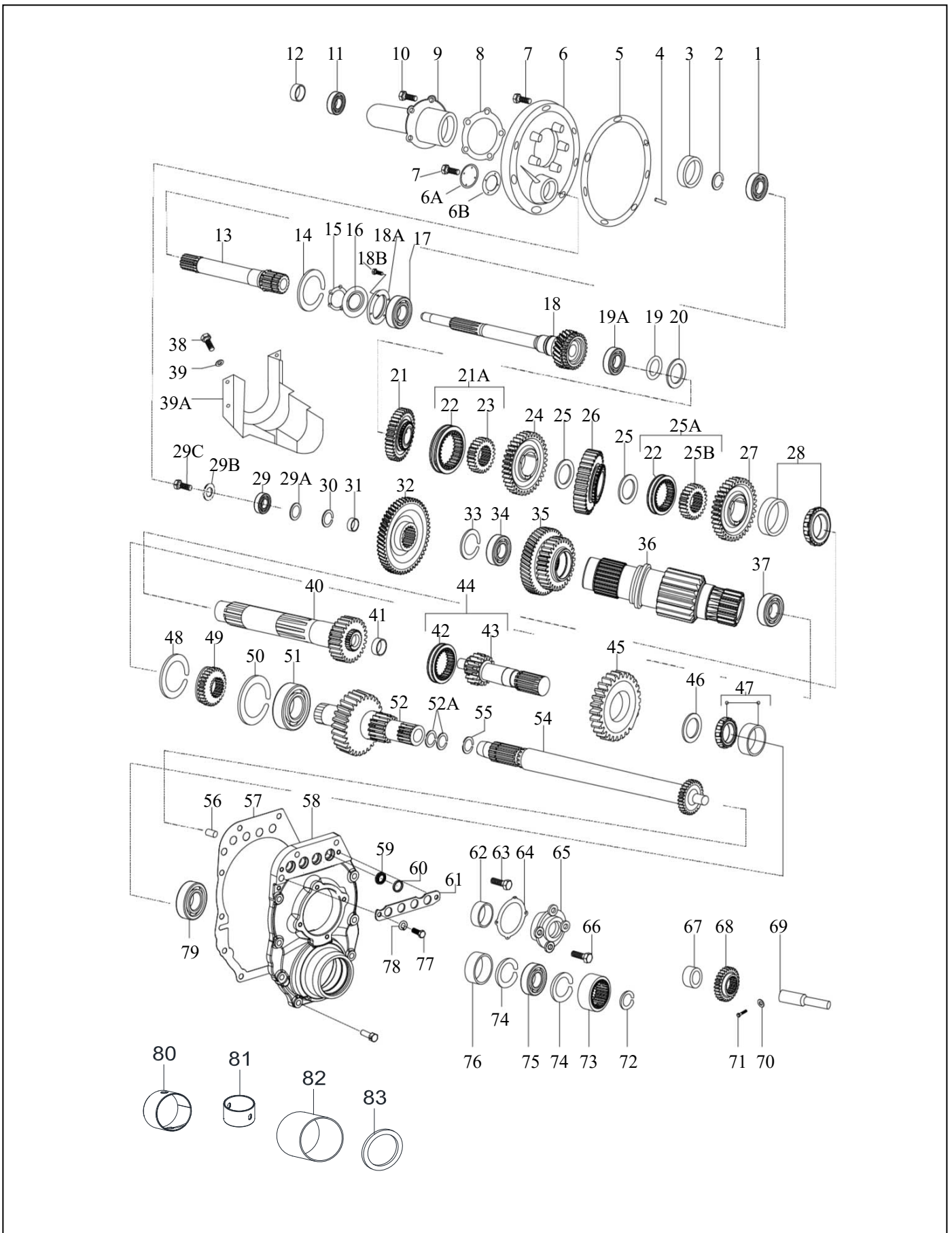




**TABLE-21**  
**8+2 SPEED TRANSMISSION GEARS**

Fig. No.	Part No.	Description	Qty
1	D10019710.9	BEARING ASSEMBLY LIVE PTO	1
2	D10019610.9	RING PTO INPUT SHAFT SNAP	1
3	D10019660.9	SEAL OIL TRANSMISSION INPUT SHAFT	1
4	D87000010.9	PIN 3/8"X0.687" DOWEL	1
5	D10001270.9	GASKET PLATE CLUTCH RELEASE BEARING HUB SUPPORT	1
6	D10249930.9	PLATE CLUTCH RELEASE (REVERSE PTO)	1
6-1	D10417990.9	PLATE CLUTCH RELEASE (REVERSE PTO)	1
6A	D10249960.9	COVER CLUTCH RELEASE PLATE	1
6B	D10249980.9	GASKET COVER CLUTCH RELEASE PLATE	1
7	D81000020.9	BOLT 3/8"-16X1.125" HEX HEAD	7
8	D10001400.9	GASKET RETAINER TRANSMISSION INPUT SHAFT	1
9	D10309100.9	RETAINER TRANSMISSION INPUT SHAFT LIVE PTO (MACHINED)	1
10	D81000030.9	BOLT 3/8"-16X0.875" HEX HEAD LOCK (GRADE-5)	5
11	D10019730.9	BEARING ASSEMBLY LIVE PTO	1
12	D10031320.9	SEAL OIL TRANSMISSION MAIN DRIVE SHAFT	1
12A	D10252160.9	BEARING BALL 6210 Z	1
13	D10019850.9	SHAFT PTO INPUT TRANSMISSION Z-17 (MACHINED)	1
13-1	D10341070.9	SHAFT PTO INPUT TRANSMISSION Z-17	1
14	D10000120.9	RING TRANSMISSION MAIN DRIVE SHAFT BEARING SNAP	1
15	D10019640.9	RING MAIN SHAFT DRIVE GEAR	1
16	D10019630.9	PLATE TRANSMISSION MAIN DRIVE	1
17	D10000900.9	BEARING BALL TRANSMISSION INPUT SHAFT	1
18	D10306780.9	SHAFT TRANSMISSION INPUT Z-30	1
18-1	D10306780AD.9	SHAFT TRANSMISSION INPUT Z-30	1
18A	D10087380.9	RETAINER TRANSMISSION INPUT SHAFT BEARING	1
18B	D81000020.9	BOLT 3/8"-16X1.125" HEX HEAD	3
19	D90000030.9	CIRCLIP A40X1.75 N	1
19A	D10019720.9	BEARING PTO COUNTERSHAFT	1
20	D10005340.9	WASHER 40X64 FLAT	1
21	D10335780.9	GEAR ASSEMBLY TRANSMISSION 3RD AND 7TH SPEED (Z-35)	1
21A	-	B	1
22	D10000390.9	COUPLING TRANSMISSION GEAR SHIFT (MACHINED)	2
23	D10087550.9	CONNECTOR TRANSMISSION 1ST AND 3RD SPEED	1
24	D10378420.9	GEAR ASSEMBLY TRANSMISSION 1ST AND 5TH SPEED (Z-47)	1
25	D10087560.9	WASHER TRANSMISSION MAIN SHAFT THRUST	2
25A	-	B	1
25B	D10087490.9	CONNECTOR TRANSMISSION 2ND AND REVERSE SPEED	1
26	D10253040.9	GEAR ASSEMBLY TRANSMISSION REVERSE SPEED Z-41	1
27	D10335820.9	GEAR ASSEMBLY TRANSMISSION 2ND AND 6TH SPEED (Z-39)	1
28	D10032500.9	BEARING ASSEMBLY (32211)	1

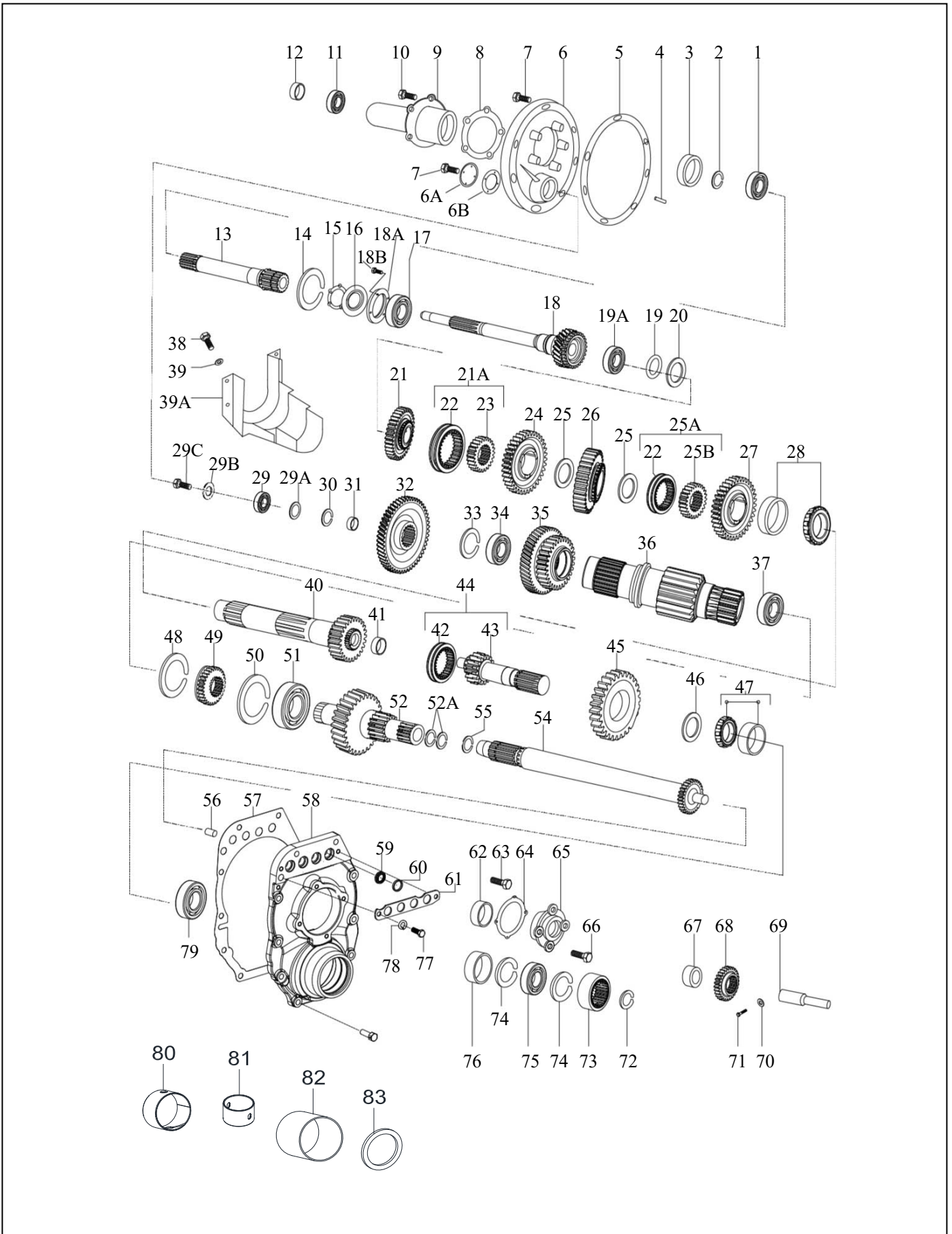
**TABLE-21**  
**8+2 SPEED TRANSMISSION GEARS**



**TABLE-21**  
**8+2 SPEED TRANSMISSION GEARS**

Fig. No.	Part No.	Description	Qty
29	D10019720.9	BEARING PTO COUNTERSHAFT	1
29A	D90500120.9	CIRCLIP B62X2.0 N	1
29B	D10184680.9	LOCKING PLATE PTO COUNTER SHAFT	1
29C	D10052710.9	BOLT M12X1.25X35-10.9 HEX HEAD COLLARED	1
30	D10019650.9	RING PTO COUNTER SHAFT GEAR SNAP	1
31	D10019600.9	WASHER PTO COUNTERSHAFT THRUST	1
32	D10019880.9	GEAR PTO COUNTERSHAFT Z-57 (MACHINED)	1
33	D10000120.9	RING TRANSMISSION MAIN DRIVE SHAFT BEARING SNAP	1
34	D10019710.9	BEARING ASSEMBLY LIVE PTO	1
35	D10306790.9	GEAR TRANSMISSION COUNTERSHAFT (Z-45/30)	1
36	D10220880.9	SHAFT COUNTER TRANSMISSION LIVE PTO (MACHINED)	1
36-1	D10220880AE.9	SHAFT COUNTER TRANSMISSION LIVE PTO (MACHINED)	1
37	D10000230.9	BEARING BALL COUNTERSHAFT REAR	1
38	D81500330.9	BOLT M8X1.25X40-8.8 HEX HEAD	2
39	D86500030.9	WASHER M8 SPRING LOCK	2
39A	D10123430.9	SHROUD GEAR COUNTER SHAFT TRANSMISSION	1
40	D10087400.9	SHAFT TRANSMISSION MAIN (Z-30)	1
41	D10001990.9	BEARING ASSEMBLY TRANSMISSION MAIN SHAFT REAR PILOT	1
42	D10000390.9	COUPLING TRANSMISSION GEAR SHIFT (MACHINED)	1
43	D10087540.9	SHAFT TRANSMISSION OUTPUT	1
43-1	D10087540AD.9	SHAFT TRANSMISSION OUTPUT	1
44	-	B	1
45	D10338010.9	GEAR ASSEMBLY TRANSMISSION OUTPUT (Z-49)	1
46	D10000840.9	WASHER TRANSMISSION OUTPUT SHAFT	1
47	D10002000.9	BEARING ASSEMBLY TRANSMISSION OUTPUT SHAFT	1
48	D10000130.9	RING FRONT TRANSMISSION INNER HOUSING SNAP	1
49	D10320400.9	COUPLING TRANSMISSION COUNTERSHAFT SLIDING GEAR Z-20	1
50	D10000140.9	RING TRANSMISSION COUNTER SHAFT FRONT BEARING SNAP	1
51	D10000730.9	BEARING BALL TRANSMISSION COUNTERSHAFT HIGH LOW REAR	1
52	D10080410.9	GEAR AND BUSH ASSEMBLY TRANSMISSION COUNTERSHAFT (Z-35)	1
52A	D10080370.9	SEAL OIL 32.5X39.5X5	1
54	D10249970.9	SHAFT TRANSMISSION COUNTER (REVERSE PTO)	1
54-1	D10249970AB.9	SHAFT TRANSMISSION COUNTER (REVERSE PTO)	1
55	D90500120.9	CIRCLIP B62X2.0 N	1
56	D10000090.9	DOWEL 1/2"X0.8125" PLAIN	1
57	D10296290.9	GASKET TRANSMISSION OUTPUT RETAINER	1
58	D10294720.9	RETAINER TRANSMISSION OUTPUT SHAFT BEARING	1
58-1	D10490540.9	RETAINER TRANSMISSION OUTPUT SHAFT BEARING (SIDE SHIFT)	1
58-2	D11036050AA.9	RETAINER TRANSMISSION OUTPUT SHAFT BEARING (SIDE SHIFT)	1
59	D10252920.9	SEAL WIPER 16X22X4.0	4

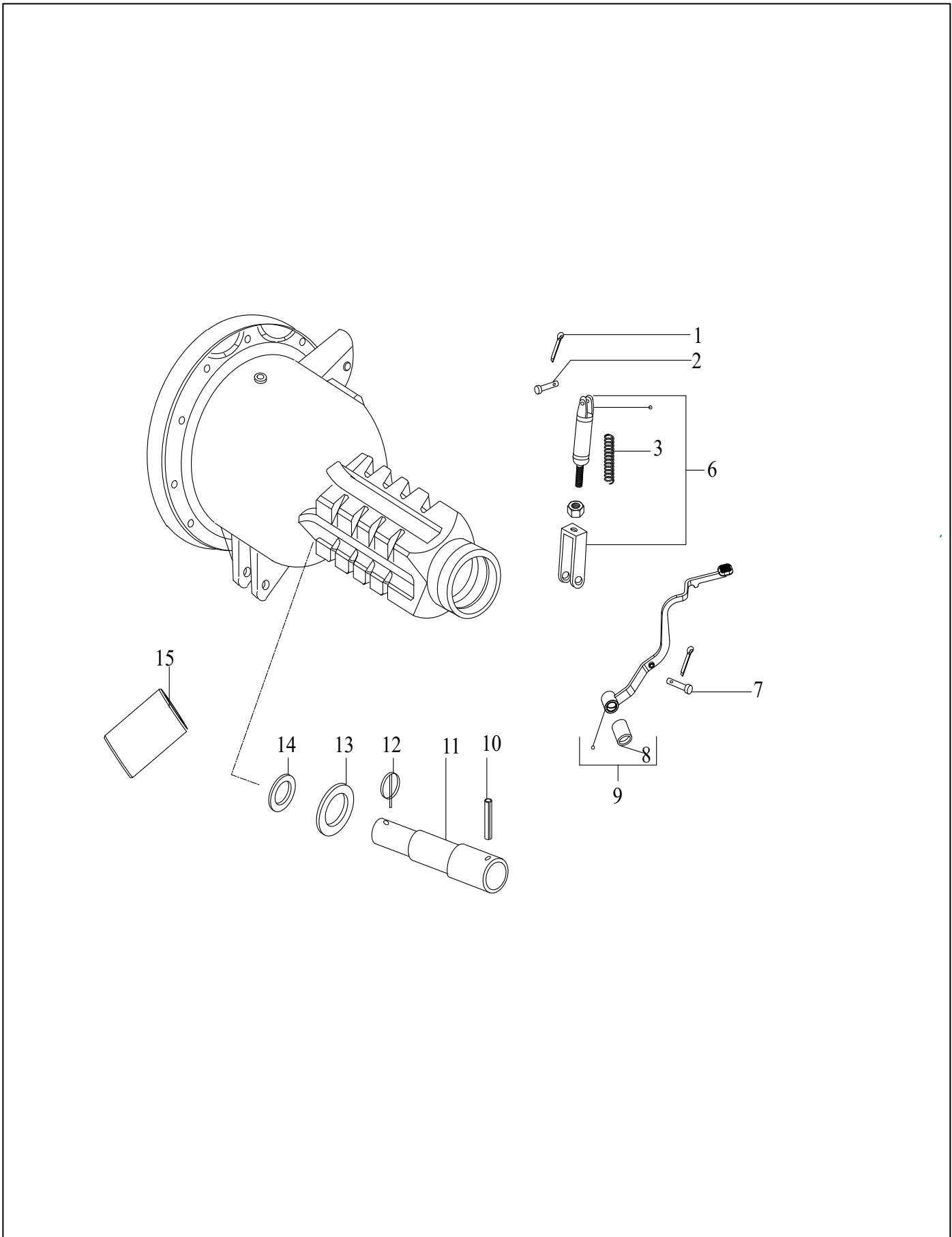
**TABLE-21**  
**8+2 SPEED TRANSMISSION GEARS**



**TABLE-21**  
**8+2 SPEED TRANSMISSION GEARS**

Fig. No.	Part No.	Description	Qty
60	D10252930.9	WASHER 18.5X22X3.0 SEAL WIPER RETAINER	4
61	D10252910.9	PLATE STOPPER SEAL WIPER	1
62	D10001120.9	SEAL TRANSMISSION OUTPUT SHAFT	1
63	D81000020.9	BOLT 3/8"-16X1.125" HEX HEAD	10
64	D10001130.9	SHIM TRANSMISSION OUTPUT SHAFT 0.003" THICK	AR
64A	D10001140.9	SHIM TRANSMISSION OUTPUT SHAFT 0.005" THICK	AR
64B	D10001150.9	SHIM TRANSMISSION OUTPUT SHAFT 0.012" THICK	AR
65	D10001100.9	RETAINER TRANSMISSION OUTPUT	1
66	D81000030.9	BOLT 3/8"-16X0.875" HEX HEAD LOCK (GRADE-5)	4
67	D10000280.9	BUSH TRANSMISSION REVERSE IDLER GEAR	1
68	D10253070.9	GEAR ASSEMBLY TRANSMISSION REVERSE IDLER Z -29	1
69	D10000260.9	SHAFT TRANSMISSION REVERSE IDLER	1
70	D10000290.9	SEAL IDLER SHAFT RETAINER BOLT LOCK	1
71	D10000300.9	BOLT TRANSMISSION REVERSE IDLER	1
72	D10019650.9	RING PTO COUNTER SHAFT GEAR SNAP	1
73	D10012290.9	BUSHING FRONT WHEEL SPINDLE PIN UPPER	1
74	D10000980.9	RING PTO BEARING HOUSING SNAP	1
75	D10002140.9	BEARING BALL PTO SHAFT REAR AXLE	1
76	D10080360.9	SEAL OIL 50.6X73X15.87	1
77	D81000010.9	BOLT 5/16"-18X0.375" HEX HEAD	2
78	D86000040.9	WASHER 5/16" SPRING LOCK	2
79	D10000740.9	BEARING BALL TRANSMISSION COUNTERSHAFT HIGH LOW FRONT	1
80	D10087520.9	BUSH TRANSMISSION 2ND GEAR	1
81	D10087460.9	BUSH TRANSMISSION 1ST GEAR	1
82	D10000830.9	BUSH TRANSMISSION GEAR OUTPUT	1
83	D10216000.9	WASHER PTO SHAFT THRUST	1

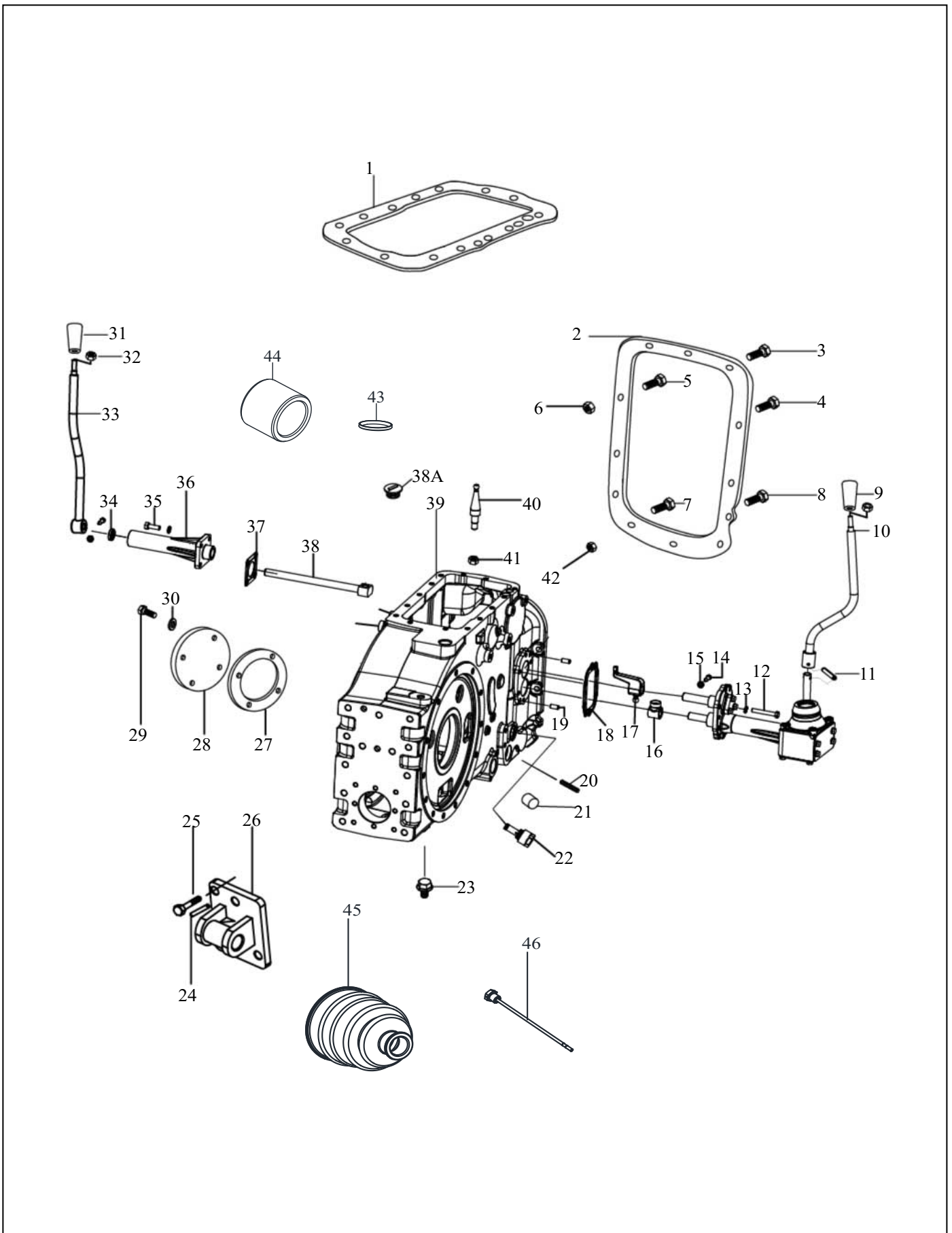
**TABLE-22**  
**REAR DIFFERENTIAL LOCK**



**TABLE-22**  
**REAR DIFFERENTIAL LOCK**

Fig. No.	Part No.	Description	Qty
1	D10013460.9	PIN 1/8"X0.75" COTTER	2
2	D93400020.9	PIN 5/16"X.76" CLEVIS	1
3	D10012500.9	SPRING PEDAL DIFFERENTIAL LOCK	1
6	D10013120.9	LINKAGE ASSEMBLY DIFFERENTIAL LOCK	1
7	D93400040.9	PIN 5/16"X1.24" CLEVIS	1
8	D10012950.9	BUSH DIFFERENTIAL LOCK PEDAL	1
9	D10256800.9	PEDAL ASSEMBLY REAR AXLE DIFFERENTIAL LOCK	1
10	D87500180.9	PIN 8.0X50.0 SPRING DOWEL	2
11	D10099410.9	PIN HYDRAULIC LIFT LOWER LINK PIVOT	2
11-1	D10490240.9	PIN ASSEMBLY LOWER LINK PIVOT HYDRAULIC LIFT	2
12	D10017310.9	PIN LYNCH LOCKING ASSEMBLY	2
13	D10099520.9	WASHER LIFT LOWER LINK PIVOT THRUST	2
14	D10099510.9	WASHER LIFT LOWER LINK PIVOT THRUST	2
15	D10012630.9	SLEEVE PEDAL DIFFERENTIAL LOCK	1
16	D10012640.9	BOLT 5/8"-11X2.75" HEX HEAD (DIFFERENTIAL LOCK PEDAL)	1

**TABLE-23**  
**CENTER HOUSING**

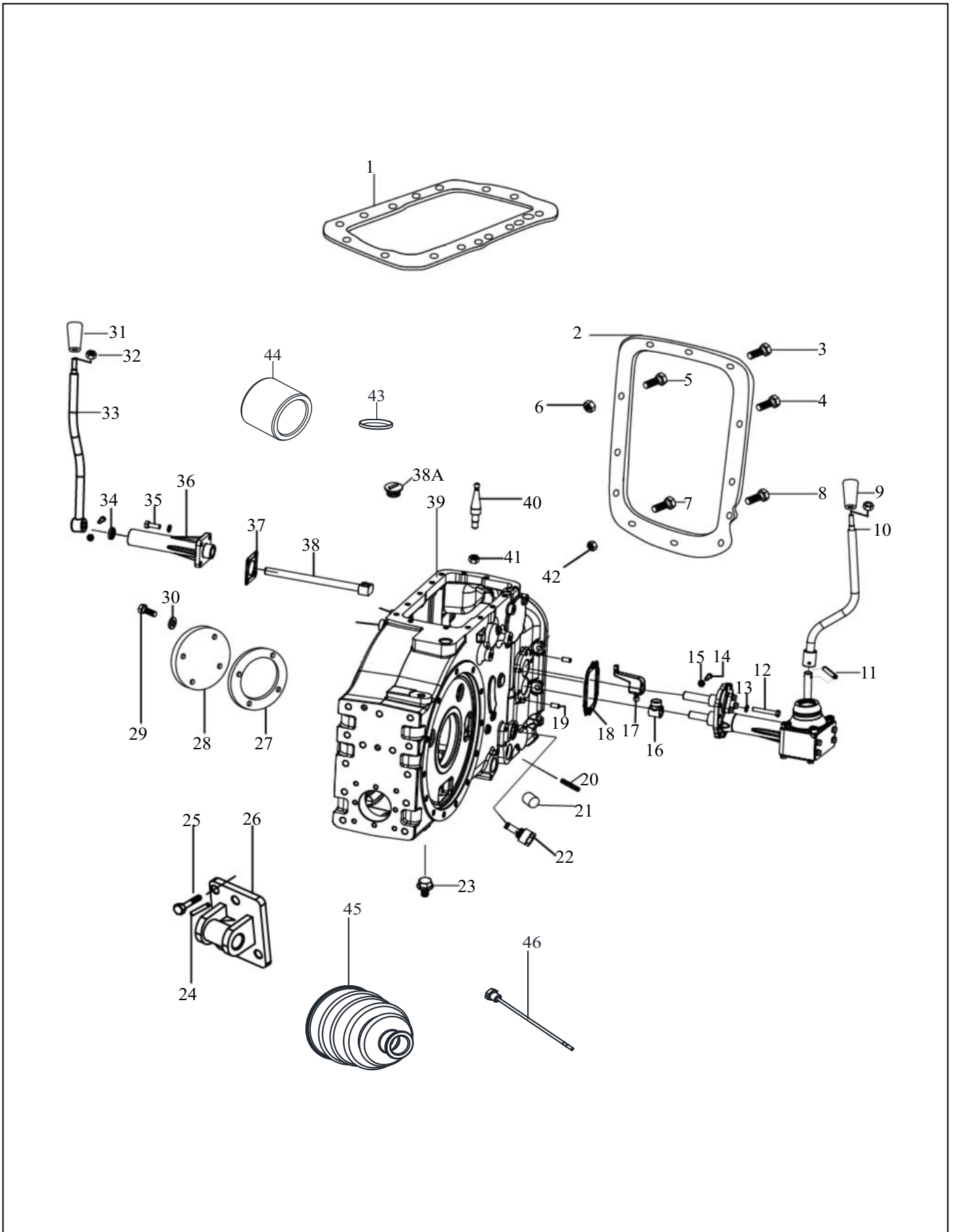




**TABLE-23**  
**CENTER HOUSING**

Fig. No.	Part No.	Description	Qty
1	D10012170.9	GASKET HYDRAULIC LIFT ASSEMBLY	1
2	D10012360.9	GASKET TRANSMISSION TO REAR AXLE ASSEMBLY	1
3	D81000520.9	BOLT 9/16"-12X 2.00" HEX HEAD	2
4	D81000360.9	BOLT 1/2"-13X2.00"HEX HEAD	1
5	D81000370.9	BOLT 1/2"-13X2.25" HEX HEAD	3
6	D83000050.9	NUT 1/2"-13 HEX	6
7	D81000530.9	BOLT 9/16"-12X2.50" HEX HEAD	2
8	D81000350.9	BOLT 1/2"-13X1.75" HEX HEAD	1
9	D10292770.9	KNOB TRANSMISSION MAIN GEAR SHIFT LEVER	1
10	D10254990.9	LEVER ASSEMBLY TRANSMISSION MAIN GEAR SHIFT (SIDE SHIFTING GEAR)	1
11	D87000160.9	PIN 1/4"X1.50" SPRING DOWEL COMBINATION TYPE	1
12	D81000730.9	BOLT 3/8"-16X1.25" HEX HEAD	6
13	D86000010.9	WASHER 3/8" SPRING LOCK	10
14	D10000550.9	SCREW TRANSMISSION CONNECTOR LOCK	2
15	D83000010.9	NUT 3/8"-24 HEX	2
16	D10220310.9	BUSH ROD LINK ASSEMBLY MAIN GEAR SHIFT LEVER (SIDE SHIFTING GEAR)	1
17	D10290460.9	LEVER CONNECTOR ASSEMBLY MAIN GEAR SHIFT (SIDE SHIFTING GEAR)	1
18	D10220370.9	GASKET HOUSING MAIN GEAR SHIFT LEVER (SIDE SHIFTING GEAR)	1
19	D87500030.9	PIN 10X22 PLAIN DOWEL	2
20	D93100010.9	PLUG 1/4"-18 PIPE	1
21	D10002040.9	BUSH BRAKE PEDAL SHAFT	2
22	D10004120.9	VALVE ASSEMBLY HYDRAULIC LIFT PUMP RELIEF	1
23	D10213110.9	PLUG DRAIN 3/4-14 NPTF (MAGNETIC)	1
24	D10000090.9	DOWEL 1/2"X0.8125" PLAIN	2
25	D81500250.9	BOLT M16X2.00X35-8.8P HEX HEAD	3
26	D10252830.9	BRACKET ROCKER HYDRAULIC LIFT MOUNTING	1
27	D10002070.9	GASKET HAND BRAKE OPENING COVER	1
28	D10002060.9	COVER HAND BRAKE OPENING	1
29	D81000100.9	BOLT 7/16"-14X1.00" HEX HEAD	2
29-1	D81000470.9	BOLT 7/16"-14X1.50" HEX HEAD	2
30	D85000090.9	WASHER 7/16" FLAT	2
31	D10292780.9	KNOB TRANSMISSION SELECTOR LEVER	1
32	D83500290.9	NUT M12X1.75 HEX	2
33	D10255030.9	LEVER ASSEMBLY TRANSMISSION HIGH LOW GEAR SHIFT (SIDE SHIFTING GEAR)	1
34	D10220420.9	SEAL OIL 18X30X7	2
35	D81000020.9	BOLT 3/8"-16X1.125" HEX HEAD	4
36	D10221410.9	HOUSING ASSEMBLY TRANSMISSION HIGH LOW GEAR SHIFT LEVER (SIDE SHIFTING GEAR)	1
37	D10223350.9	GASKET HOUSING HIGH LOW GEAR SHIFT LEVER (SIDE SHIFTING GEAR)	1
38	D10257500.9	ROD TRANSMISSION GEAR HIGH LOW SHIFT (SIDE SHIFTING)	1
38A	D10004030.9	BREATHER ASSEMBLY TRANSMISSION OIL FILLER	1

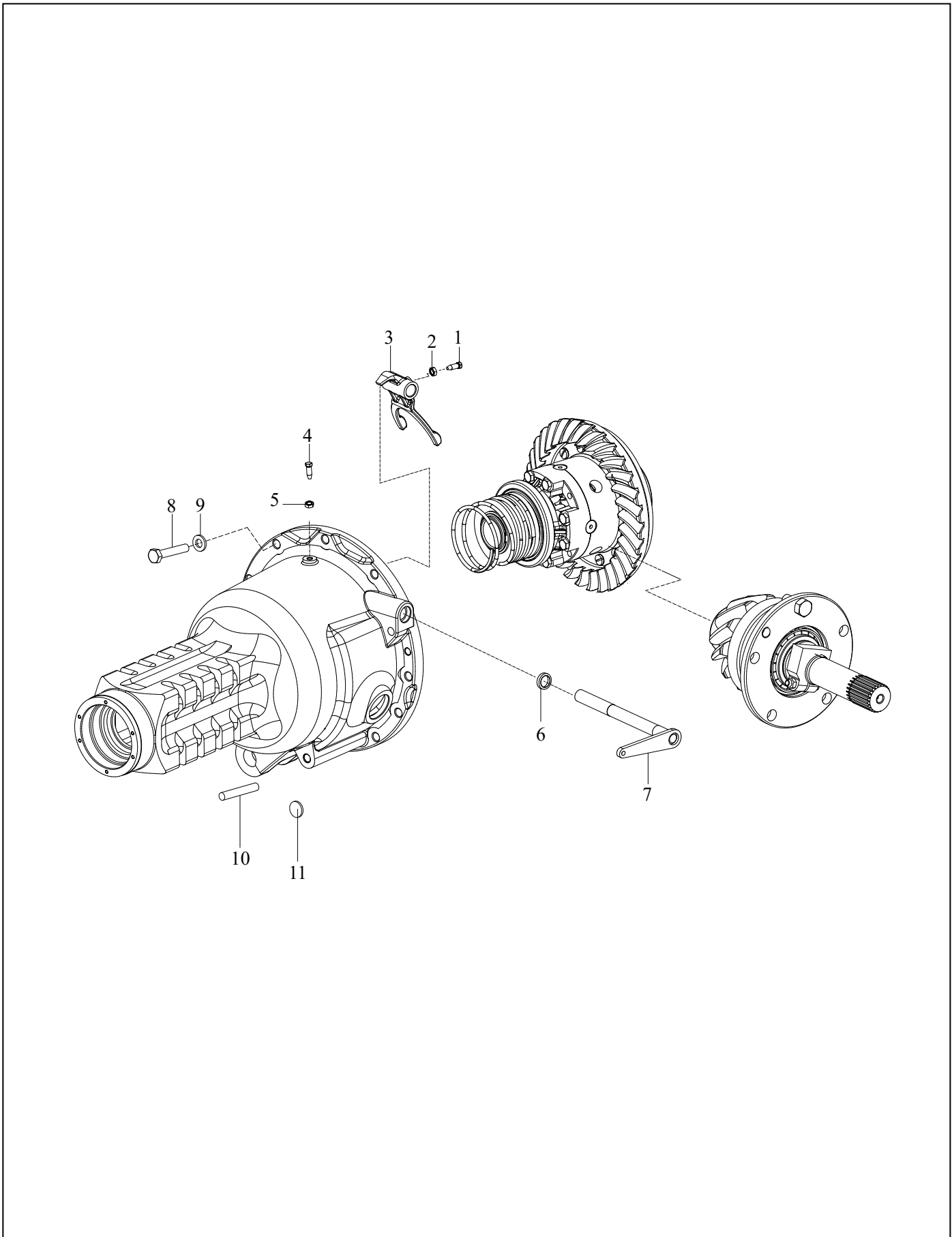
**TABLE-23**  
**CENTER HOUSING**



**TABLE-23**  
**CENTER HOUSING**

<b>Fig. No.</b>	<b>Part No.</b>	<b>Description</b>	<b>Qty</b>
38A-1	D11251550AA.9	BREATHER ASSEMBLY TRANSMISSION	1
39	D10491030.9	HOUSING ASSEMBLY REAR AXLE CENTRE SIDE SHIFTING GEAR (EPI)	1
39-1	D10686800.9	HOUSING ASSEMBLY REAR AXLE CENTRE SIDE SHIFTING GEAR (EPI)	1
40	D10257510.9	SHIFTER TRANSMISSION GEAR HIGH LOW (SIDE SHIFTING)	1
41	D83500140.9	NUT M14X1.50-8P HEX	1
42	D83000110.9	NUT 9/16"-12 HEX	4
43	D10002740.9	CUP REAR AXLE HOUSING RH	1
44	D10220410.9	SLEEVE BEARING (18X24X20)	2
45	D10400710.9	BOOT HOUSING MOUNTING MAIN GEAR SHIFT LEVER	1
46	D10388600.9	INDICATOR ASSEMBLY TRANSMISSION OIL	1

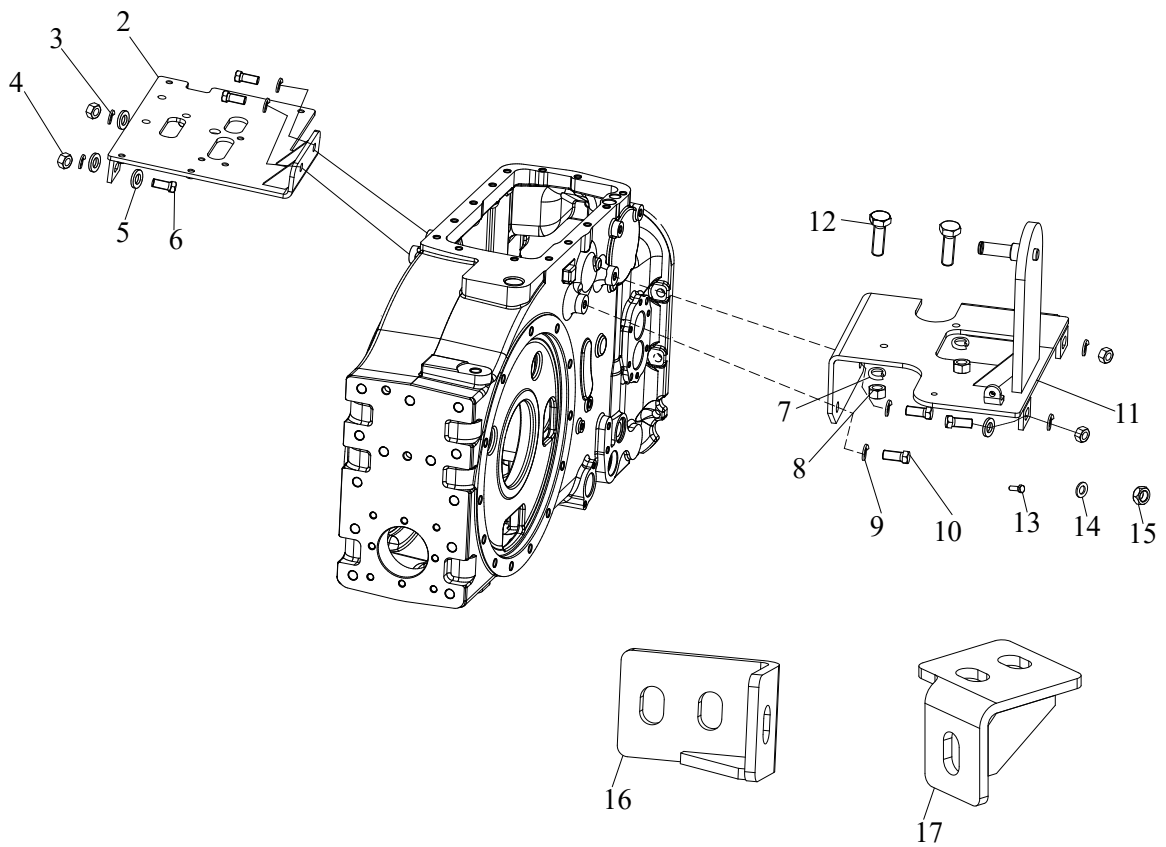
**TABLE-24**  
**REAR DIFFERENTIAL ASSEMBLIES**



**TABLE-24**  
**REAR DIFFERENTIAL ASSEMBLIES**

<b>Fig. No.</b>	<b>Part No.</b>	<b>Description</b>	<b>Qty</b>
1	D10000550.9	SCREW TRANSMISSION CONNECTOR LOCK	1
2	D83000010.9	NUT 3/8"-24 HEX	1
3	D10095950.9	FORK DIFFERENTIAL LOCK (MACHINED)	1
4	D10002840.9	SCREW REAR AXLE DIFFERENTIAL LOCK FORK STOP	1
5	D83000020.9	NUT 3/8"-16 HEX	1
6	D10002760.9	SEAL DIFFERENTIAL LOCK LEVER SHAFT RH REAR AXLE	1
7	D10096840.9	SHAFT AND LEVER ASSEMBLY REAR AXLE DIFFERENTIAL LOCK	1
8	D81000520.9	BOLT 9/16"-12X 2.00" HEX HEAD	24
9	D86000520.9	WASHER	24
10	D84500070.9	STUD 9/16"-12NC5X2.44"	2
11	D10002610.9	CUP BEVEL PINION SHAFT REAR AXLE	2

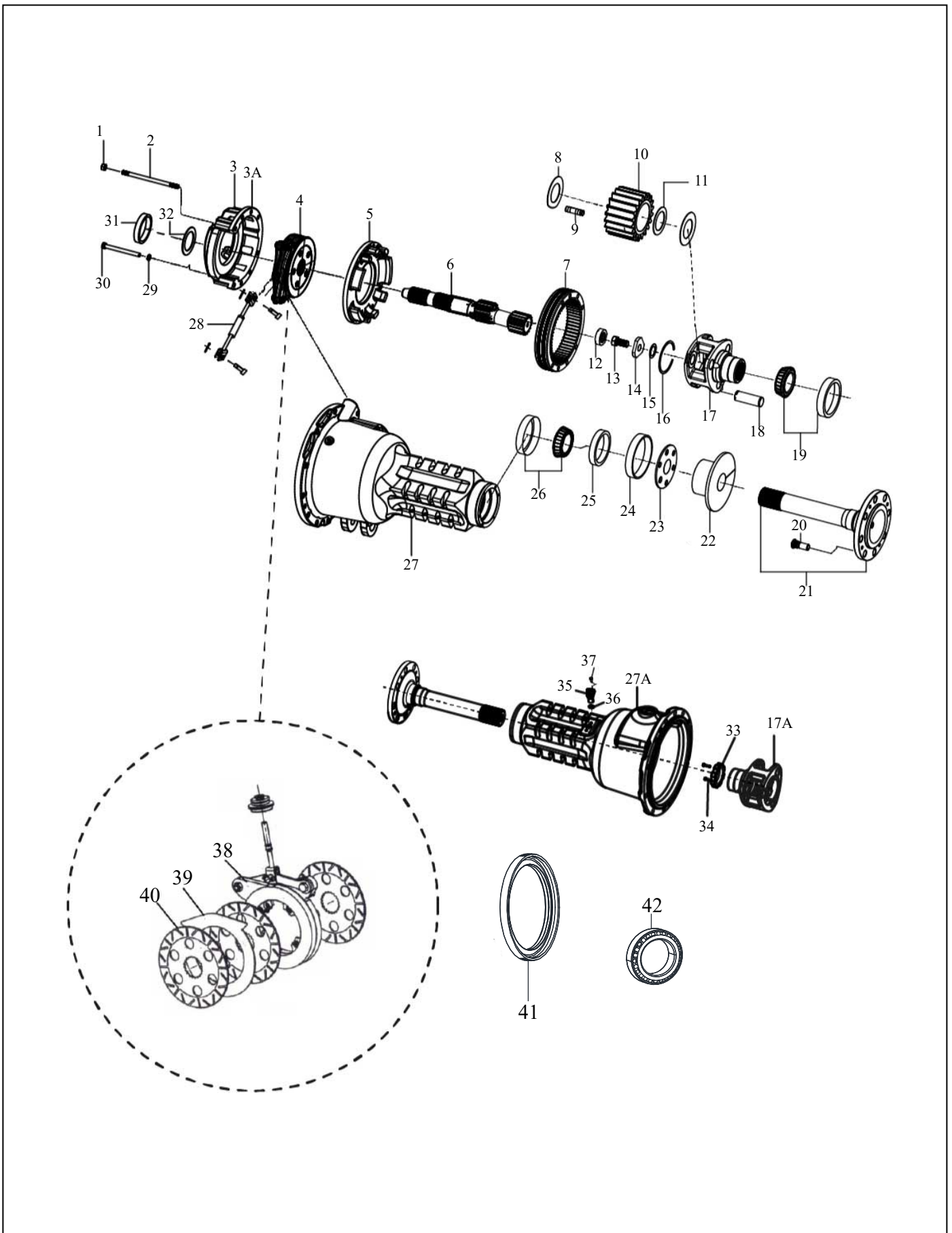
**TABLE-25**  
**CENTER HOUSING BRACKET**



**TABLE-25**  
**CENTER HOUSING BRACKET**

Fig. No.	Part No.	Description	Qty
2	D10395700.9	BRACKET ASSEMBLY IPTO MOUNTING	1
3	D86500090.9	WASHER M10 SPRING LOCK	4
4	D83500090.9	NUT M10X1.50-8 HEX	4
5	D85500010.9	WASHER M10 FLAT	8
6	D81500880.9	BOLT M10X1.5X35-8.8 HEX HEAD	4
6-1	D81500210.9	BOLT M10X1.50X35-6.6P HEX HEAD	4
7	D86500030.9	WASHER M8 SPRING LOCK	2
8	D83500230.9	NUT M8X1.25-5 HEX	2
9	D86000020.9	WASHER 7/16" SPRING LOCK	4
10	D81000100.9	BOLT 7/16"-14X1.00" HEX HEAD	4
10-1	D81000470.9	BOLT 7/16"-14X1.50" HEX HEAD	4
11	D10507150.9	BRACKET ASSEMBLY SPOOL VALVE AND HYDRAULIC LEVER MOUNTING	1
12	D81500130.9	BOLT M8X1.25X60-8.8 HEX HEAD	2
13	D81500060.9	BOLT M10X1.50X30-8.8 HEX HEAD	4
14	D85500140.9	WASHER M10 FLAT	8
15	D83500240.9	NUT M10X1.50-6 HEX	1
16	D10346970.9	BRACKET SUPPORT REAR FENDER MOUNTING RH	1
17	D10346960.9	BRACKET SUPPORT REAR FENDER MOUNTING LH	1

**TABLE-27**  
**REAR AXLE, DIFFERENTIAL AND RELATED PARTS**

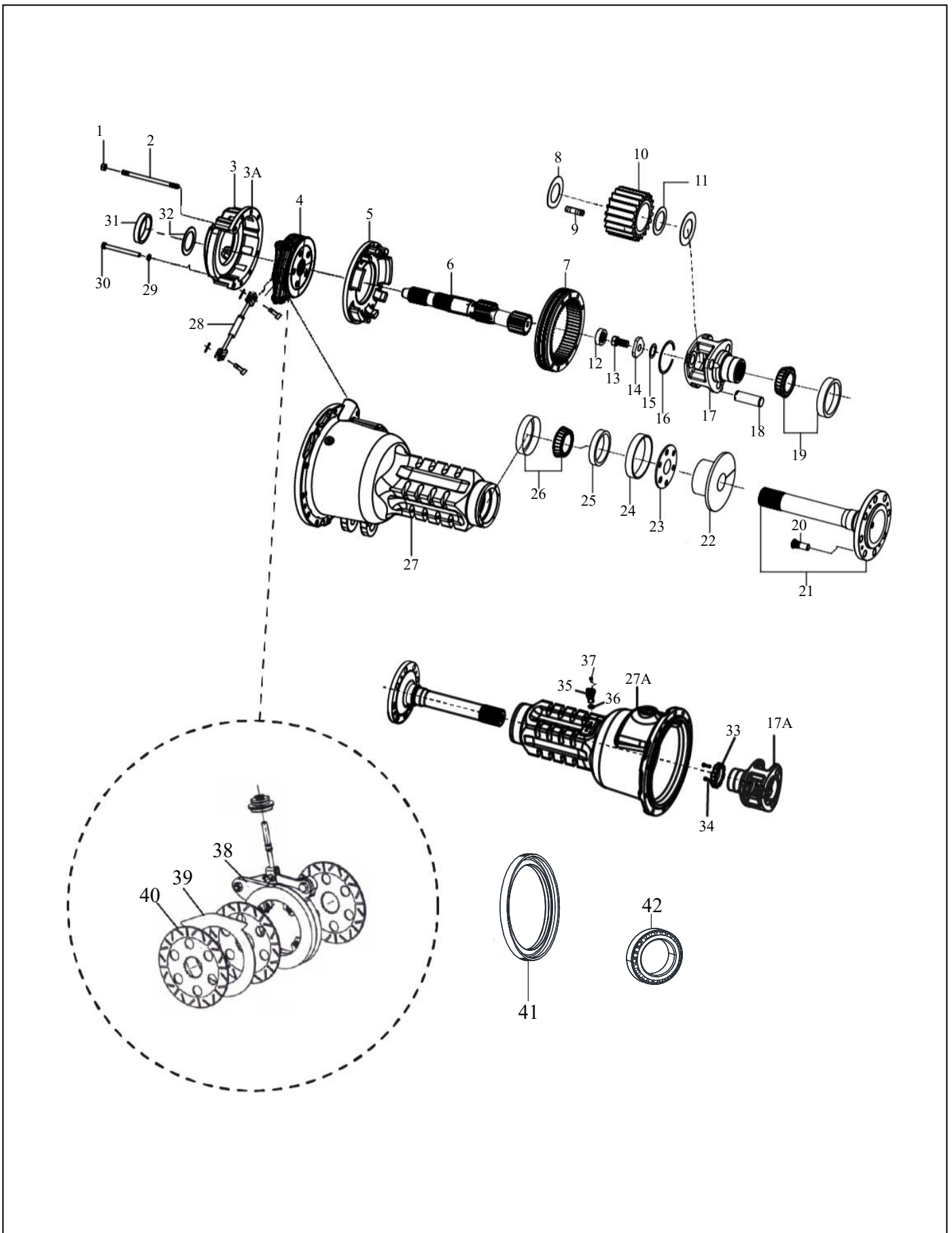




**TABLE-27**  
**REAR AXLE, DIFFERENTIAL AND RELATED PARTS**

Fig. No.	Part No.	Description	Qty
1	D83500250.9	NUT M12X1.75-10 HEX	4
2	D84500050.9	STUD B M12X180-10.9	4
3	D10084370.9	HOUSING REAR AXLE BRAKE INNER RH	1
3A	D10084360.9	HOUSING REAR AXLE BRAKE INNER LH	1
4	D10084380.9	BRAKE ASSEMBLY REAR WHEEL (WET TYPE)	2
5	D10084350.9	HOUSING REAR AXLE BRAKE OUTER	2
6	D10084340.9	SHAFT PLANETARY SUN GEAR (Z-16)	1
7	D10084320.9	RING GEAR PLANETARY (Z-56)	2
8	D10096740.9	WASHER FINAL DRIVE PLANETARY GEAR CARRIER THRUST	12
8-1	D10096740AC.9	WASHER FINAL DRIVE PLANETARY GEAR CARRIER THRUST	1
9	D10096730.9	ROLLER FINAL DRIVE PLANETARY GEAR	192
10	D10096690.9	GEAR FINAL DRIVE REDUCTION PLANETARY (Z-20)	6
11	D10096750.9	WASHER FINAL DRIVE PLANETARY GEAR ROLLER THRUST	6
11-1	D10096750AC.9	WASHER FINAL DRIVE PLANETARY GEAR ROLLER THRUST	1
12	D10084330.9	LOCK CARRIER PLANETARY GEAR	2
13	D82500490.9	SCREW M20X1.50X40-10.9 HEX HEAD	2
14	D10096480.9	SPACER REAR AXLE SHAFT CARRIER	2
15	D10139790.9	SHIM REAR AXLE SHAFT (0.031")	AR
16	D10096930.9	RING PLANETARY GEAR CARRIER RETAINING	2
17	D10091930.9	CARRIER PLANETARY GEAR (MACHINED)	1
17A	D10254830.9	CARRIER PLANETARY GEAR	1
18	D10096720.9	SHAFT FINAL DRIVE PLANETARY GEAR	6
19	D10151730.9	CONE AND ROLLER ASSEMBLY CARRIER REAR AXLE EPICYLIC	2
20	D10007030.9	BOLT REAR WHEEL HUB	16
21	D10363210.9	SHAFT REAR AXLE	2
22	D10083140.9	SEAL OIL REAR AXLE SHAFT OUTER	2
22-1	D10083140AE.9	SEAL OIL REAR AXLE SHAFT OUTER	2
23	D10089000.9	GASKET RRW SHAFT OIL SEAL COVER	2
24	D10183430.9	COVER SEAL REAR AXLE	2
24A	D10363220.9	SHIELD MUD REAR AXLE SHAFT	2
25	D10083160.9	WASHER FELT	2
25A	D10201990.9	SEAL OIL REAR AXLE COVER OUTER	2
25A-1	D10201990AC.9	SEAL OIL REAR AXLE COVER OUTER	2
26	D10003500.9	BEARING ASSEMBLY REAR AXLE SHAFT OUTER	2
27	D10183460.9	HOUSING ASSEMBLY REAR AXLE RH	1
27-1	D10480100.9	HOUSING ASSEMBLY REAR AXLE RH	1
27A	D10254810.9	HOUSING REAR AXLE LH	1
27A-1	D10569170.9	HOUSING REAR AXLE LH	1
28	D10113310.9	CONNECTOR FORK BRAKE	2
29	D86500020.9	WASHER M12 SPRING LOCK	16

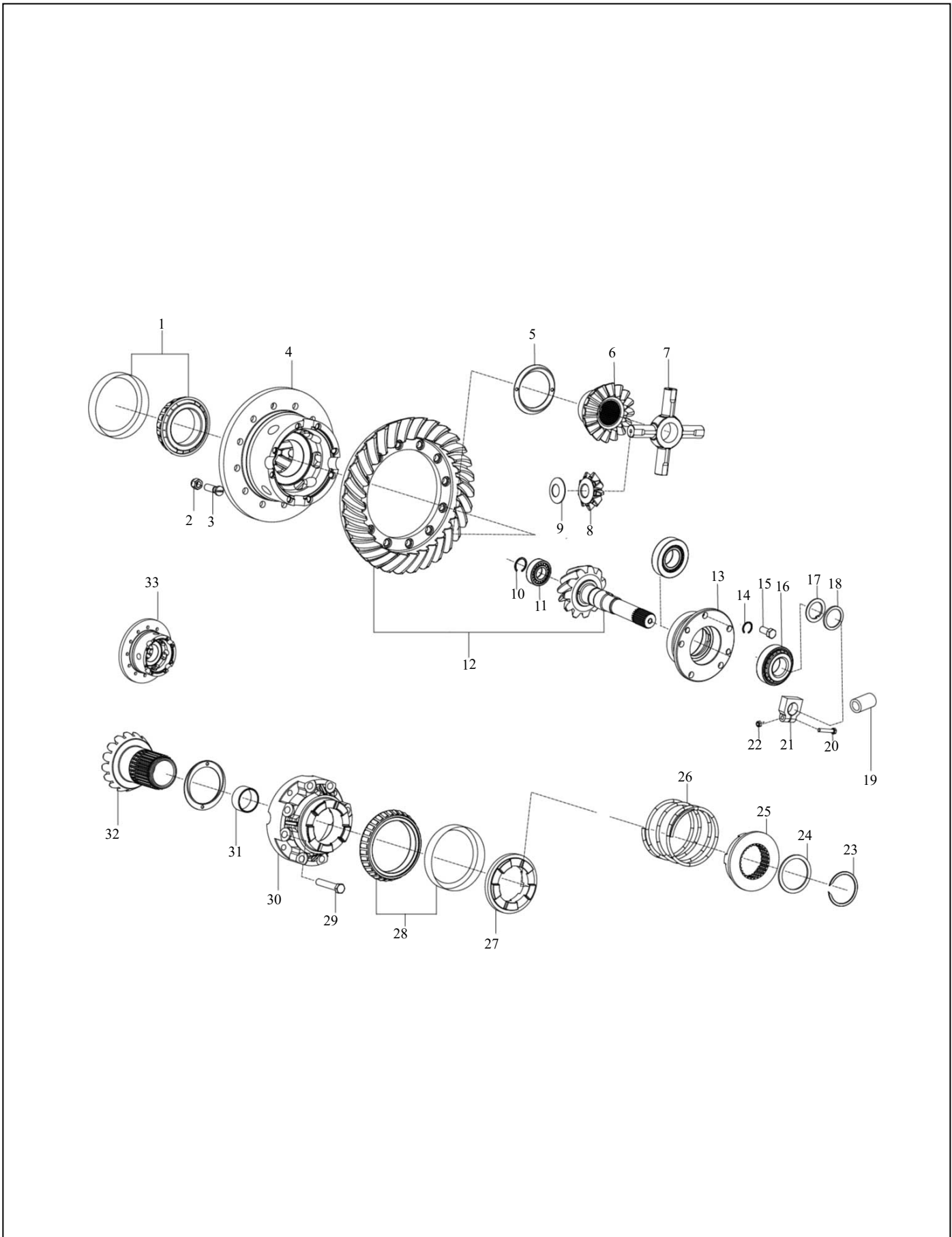
**TABLE-27**  
**REAR AXLE, DIFFERENTIAL AND RELATED PARTS**



**TABLE-27**  
**REAR AXLE, DIFFERENTIAL AND RELATED PARTS**

Fig. No.	Part No.	Description	Qty
30	D81501260.9	BOLT M12X1.75X130-10.9 HEX HEAD	12
31	D10096480.9	SPACER REAR AXLE SHAFT CARRIER	2
32	D10139850.9	SHIM BEARING DIFFERENTIAL REAR AXLE EPI (0.031")	2
33	D10254780.9	GEAR DETECTION SPEEDOMETER SENSOR	1
34	D82500600.9	BOLT M5X0.80X25-8.8 HEX HEAD	2
35	D10327870.9	SENSOR SPEED VEHICLE	1
36	D10257790.9	SEAL O RING 1.25X16	1
37	D81500360.9	BOLT M6X1.00X16-9.8 HEX HEAD	1
38	D10181050.9	ACTUATING UNIT ASSEMBLY (M/S BRAKES INDIA LTD 29321203)	1
39	D10181070.9	DISC INTERMEDIATE (M/S BRAKES INDIA LTD 29320965)	1
40	D10181060.9	DISC FRICTION (M/S BRAKES INDIA LTD 29321202)	1
41	D10363220.9	SHIELD MUD REAR AXLE SHAFT	2
42	D10151720.9	CUP CARRIER HOUSING REAR AXLE EPICYCLIC	1
43	D10182190.9	GUARD RUBBER BOOT	1
44	D88400070.9	PIN 4.0X25.0 COTTER	1

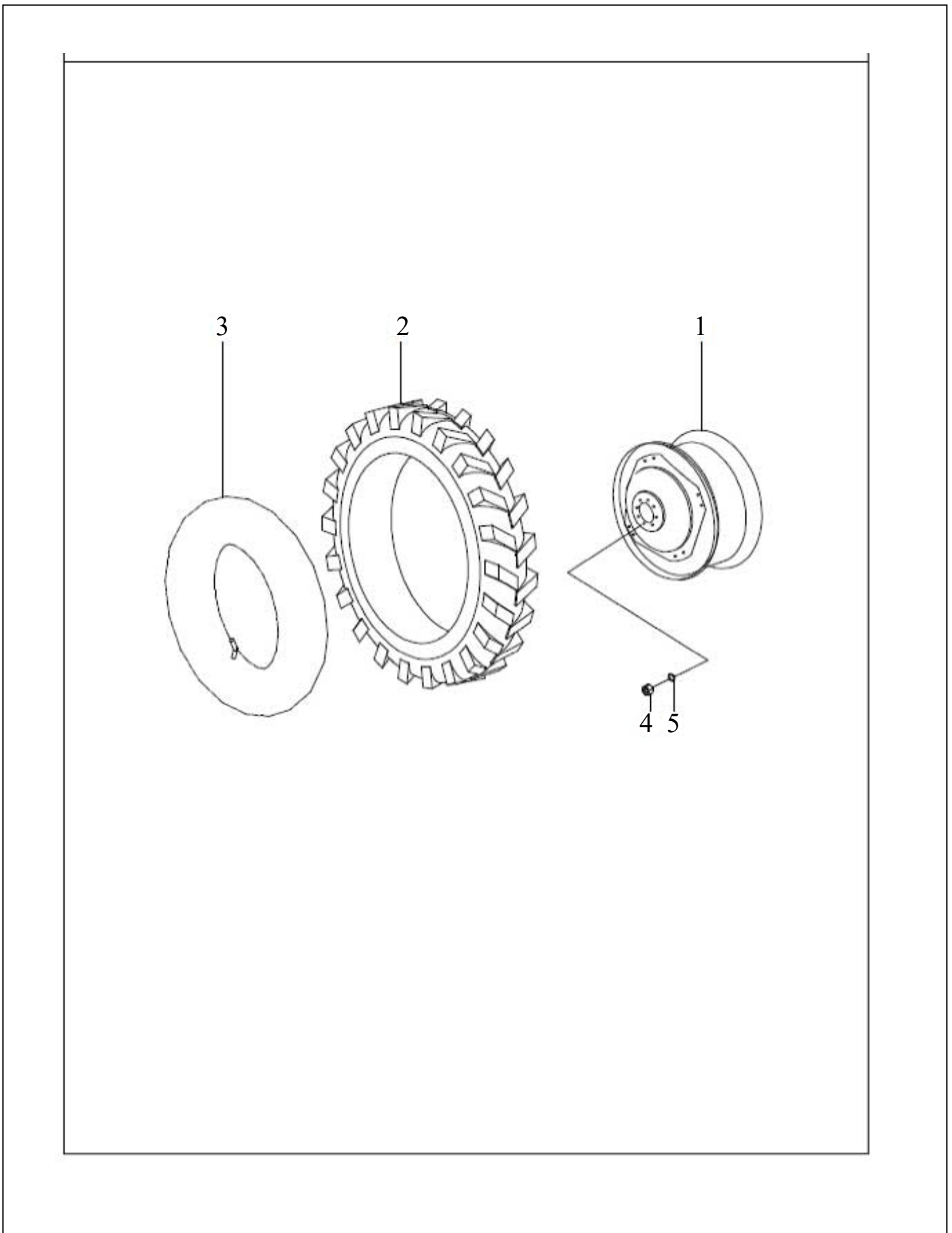
**TABLE-28**  
**REAR AXLE, DIFFERENTIAL AND RELATED PARTS**



**TABLE-28**  
**REAR AXLE, DIFFERENTIAL AND RELATED PARTS**

Fig. No.	Part No.	Description	Qty
1	D10032500.9	BEARING ASSEMBLY (32211)	1
2	D10003020.9	NUT 1/2"-20 NYLOCK HEX	12
3	D10003010.9	SCREW 1/2"-20X1.62" FLIP HEAD	12
4	D10084400.9	CASING ASSEMBLY REAR AXLE DIFFERENTIAL (MACHINED)	1
5	D10003050.9	WASHER REAR AXLE DIFFERENTIAL SUN GEAR THRUST	2
6	D10003030.9	GEAR REAR AXLE DIFFERENTIAL SIDE LH (Z-16)	1
7	D10003080.9	SPIDER SHAFT REAR AXLE DIFFERENTIAL	1
8	D10003090.9	PINION REAR AXLE DIFFERENTIAL (Z-9)	4
9	D10003100.9	WASHER REAR AXLE DIFFERENTIAL STAR GEAR THRUST	4
10	D10002660.9	RING REAR AXLE BEVEL PINION SHAFT SNAP	1
11	D10002650.9	BEARING REAR AXLE BEVEL PINION SHAFT PILOT	1
12	D10096790.9	GEAR SET BEVEL PINION AND CROWN WHEEL REAR AXLE (Z-31/11)	1
13	D10086350.9	RETAINER ASSEMBLY BEVEL PINION SHAFT REAR AXLE	1
14	D86000020.9	WASHER 7/16" SPRING LOCK	5
15	D81000110.9	BOLT 9/16"-12X1.25" HEX HEAD	5
16	D10002620.9	CONE AND ROLLER ASSEMBLY REAR AXLE	2
17	D10002670.9	WASHER REAR AXLE DRIVE PINION BEARING THRUST	1
18	D10002680.9	WASHER REAR AXLE DRIVE PINION BEARING THRUST	1
19	D10013400.9	COUPLING DRIVE SHAFT REAR AXLE	1
20	D10002700.9	BOLT REAR AXLE CLAMP NUT	1
21	D10002690.9	CLAMP REAR AXLE DRIVE PINION	1
22	D10002710.9	NUT LOCK REAR AXLE	1
23	D10003150.9	RING BULL PINION BEARING SNAP	1
24	D10003140.9	WASHER COUPLING DIFFERENTIAL LOCK REAR AXLE	1
25	D10003130.9	COUPLING REAR AXLE DIFFERENTIAL LOCK	1
26	D10003120.9	SPRING ADAPTOR REAR AXLE DIFFERENTIAL LOCK	1
27	D10003110.9	ADAPTOR REAR AXLE DIFFERENTIAL LOCK	1
28	D10087270.9	BEARING ASSEMBLY TAPER ROLLER (REAR AXLE)	1
29	D81000240.9	BOLT 1/2"-13X2.88" HEX HEAD LOCK	8
31	D10003000.9	BUSH DIFFERENTIAL CASE REAR AXLE	2
32	D10003040.9	GEAR REAR AXLE DIFFERENTIAL SIDE RH (Z-16)	1

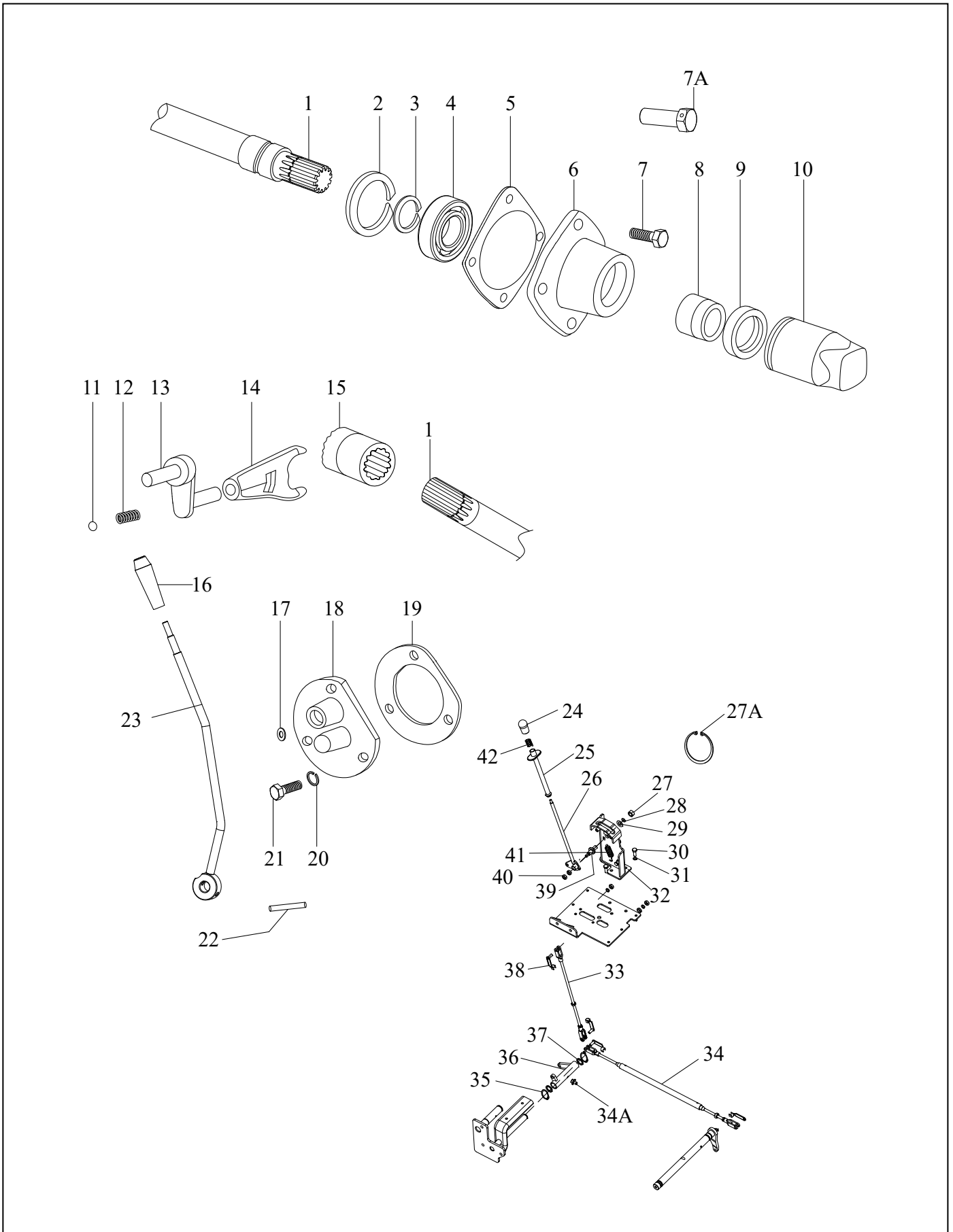
**TABLE-29**  
**REAR WHEELS**



**TABLE-29**  
**REAR WHEELS**

<b>Fig. No.</b>	<b>Part No.</b>	<b>Description</b>	<b>Qty</b>
1	D10184010.9	RIM AND DISC ASSEMBLY REAR WHEEL W12X28	2
1-1	D10370690.9	RIM ASSEMBLY REAR WHEEL W12X28 (ANTIQUER SILVER)	2
1-2	D10370690AC.9	RIM ASSEMBLY REAR WHEEL W12X28 ANTIQUER SILVER	2
2	D10500190.9	TYRE ASSEMBLY REAR WHEEL 14.9X28	2
3	D10500200.9	TUBE ASSEMBLY REAR TYRE 14.9X28	2
4	D83500150.9	NUT M20X1.50-6P HEX	16
5	D86500080.9	WASHER M20 SPRING LOCK	16

**TABLE-30**  
**POWER TAKE OFF ASSEMBLY**

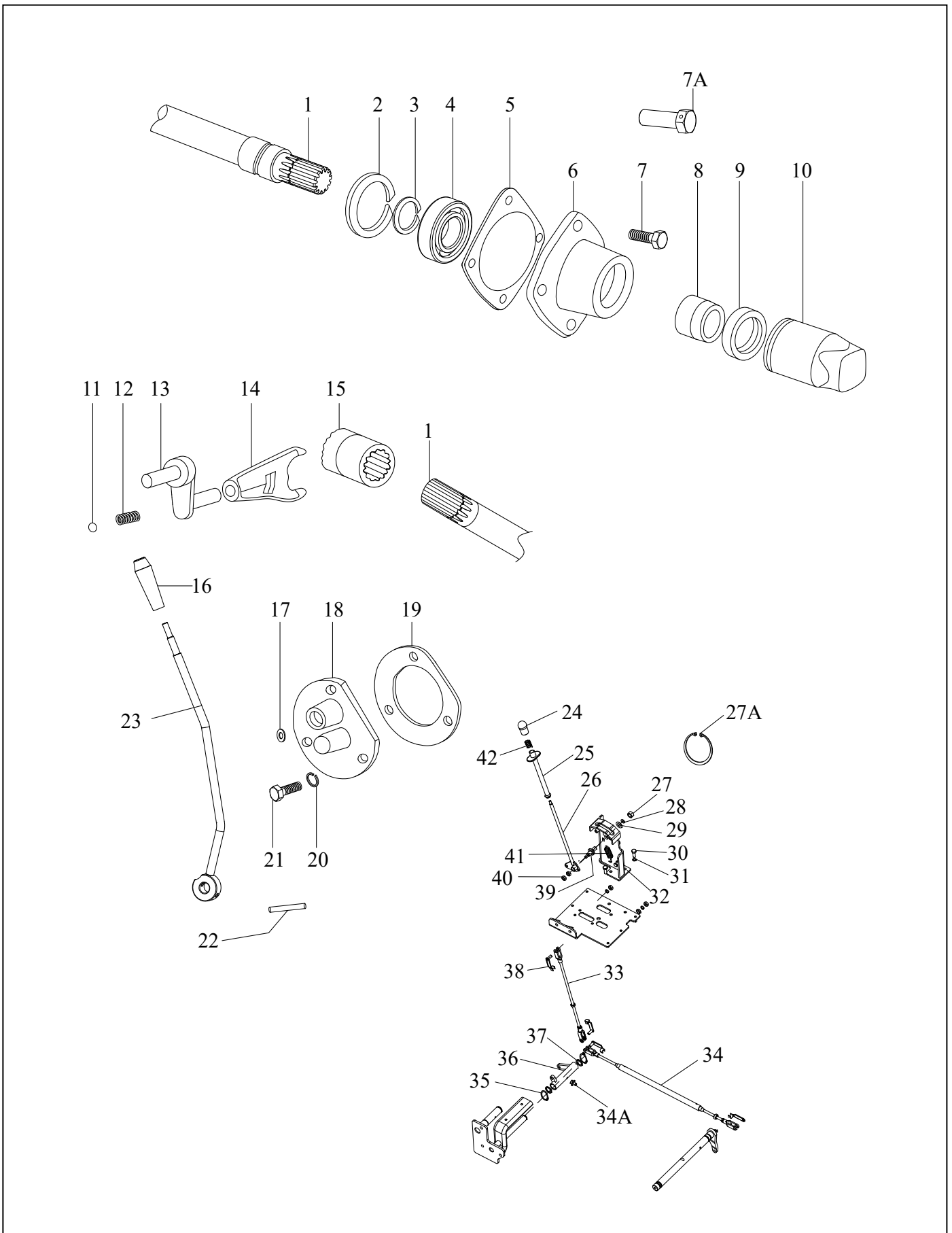




**TABLE-30**  
**POWER TAKE OFF ASSEMBLY**

Fig. No.	Part No.	Description	Qty
1	D10216850.9	SHAFT ASSEMBLY PTO REAR	1
1-1	D10807300.9	SHAFT ASSEMBLY PTO REAR	1
2	D90000110.9	CIRCLIP A35X2.0 N	1
3	D10216010.9	WASHER COVER PTO THRUST	1
4	D10002140.9	BEARING BALL PTO SHAFT REAR AXLE	1
5	D10002210.9	GASKET PTO COVER REAR AXLE	1
6	D10490400.9	COVER PTO REAR	1
7	D81000090.9	BOLT 7/16"-14X1.25" HEX HEAD	4
7A	D81001720.9	BOLT 7/16"-14X1.25" HEX HEAD WITH HOLE	2
8	D10238270.9	SLEEVE PTO SHAFT REAR AXLE	1
9	D10002130.9	SEAL OIL PTO SHAFT REAR AXLE	1
10	D10042010.9	CAP PTO	1
11	D10000490.9	BALL 3/8" DIAMETER	1
12	D10000690.9	SPRING TRANSMISSION GEAR SHIFT	1
13	D10239390.9	ARM PTO SHIFTER (SIDE SHIFTING GEAR)	1
14	D10002300.9	FORK PTO SHIFTER REAR AXLE	1
15	D10080330.9	SLEEVE PTO SHIFTER	1
16	D10215860.9	KNOB HAND THROTTLE CONTROL LEVER	1
17	D93600670.9	SEAL O RING 1.78X15.6	1
18	D10080320.9	PLATE PTO SHIFTER	1
19	D10002310.9	GASKET PTO SHIFTER PLATE REAR AXLE	1
20	D86000020.9	WASHER 7/16" SPRING LOCK	3
21	D81000100.9	BOLT 7/16"-14X1.00" HEX HEAD	1
21-1	D81000470.9	BOLT 7/16"-14X1.50" HEX HEAD	1
22	D87500320.9	PIN 6.35X40 SPRING DOWEL COMBINATION TYPE	1
22-1	D87000160.9	PIN 1/4"X1.50" SPRING DOWEL COMBINATION TYPE	1
23	D10306320.9	LEVER ASSEMBLY TRANSMISSION PTO SHIFTER	1
24	D10256590.9	KNOB ASSEMBLY (IPTO)	1
25	D10256680.9	CASING LEVER IPTO	1
26	D10256670.9	LEVER ASSEMBLY IPTO CONTROL	1
27	D83500100.9	NUT M14X1.50-6 HEX	1
27A	D90000240.9	CIRCLIP B72X2.5 N	1
28	D86500070.9	WASHER M14 SPRING LOCK	1
29	D10042730.9	WASHER 15.5X30 DIFFERENTIAL LOCK BUSH THRUST	1
30	D82500150.9	SCREW M10X1.50X25-8.8 HEX HEAD	3
31	D86500090.9	WASHER M10 SPRING LOCK	3
32	D10256560.9	PLATE AND PIN ASSEMBLY REAR (IPTO)	1
33	D10256530.9	ROD AND CLEVIS ASSEMBLY UPPER (IPTO)	1
33-1	D11057480AB.9	ROD AND ASSEMBLY UPPER (IPTO)	1
34	D10310350.9	ROD AND CLEVIS ASSEMBLY LOWER (INDEPENDENT PTO)	1

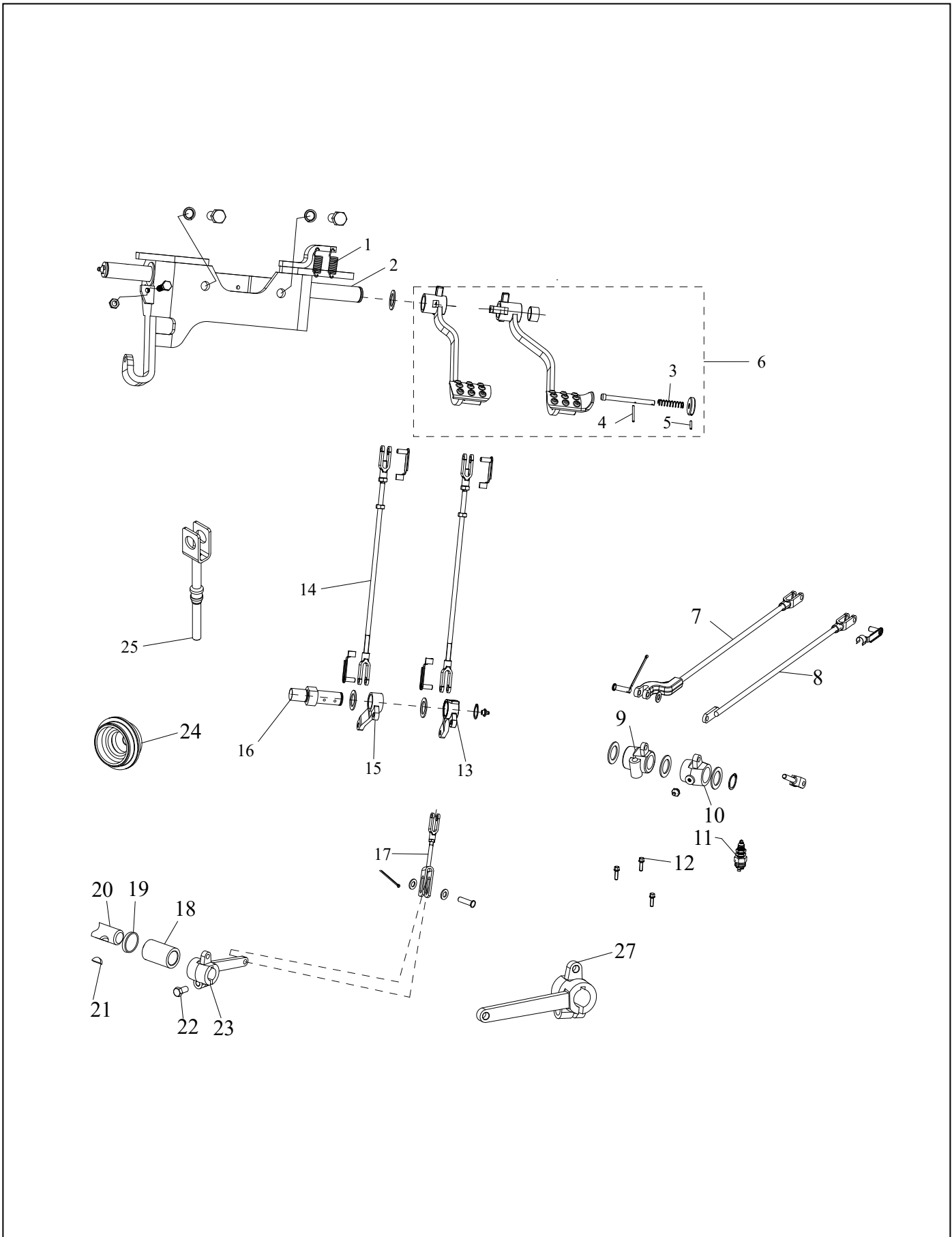
**TABLE-30**  
**POWER TAKE OFF ASSEMBLY**



**TABLE-30**  
**POWER TAKE OFF ASSEMBLY**

<b>Fig. No.</b>	<b>Part No.</b>	<b>Description</b>	<b>Qty</b>
34-1	D11057470AB.9	ROD AND CLEVIS ASSEMBLY LOWER [IPTO]	1
34A	D92500020.9	GREASE NIPPLE A M10X1	1
35	D90000060.9	CIRCLIP A22X1.2 N	2
36	D10256550.9	HUB AND LEVER ASSEMBLY (IPTO)	1
37	D10188010.9	WASHER THRUST IPTO BUSH	2
38	D10292730.9	PIN 3/8" CLEVIS	4
39	D10317370.9	PIN IPTO LEVER PIVOT	1
40	D83500080.9	NUT M10X1.00-8 HEX	2
41	D10012250.9	SPRING BRAKE PEDAL RETURN	1
42	D10256600.9	SPRING LEVER (IPTO)	1

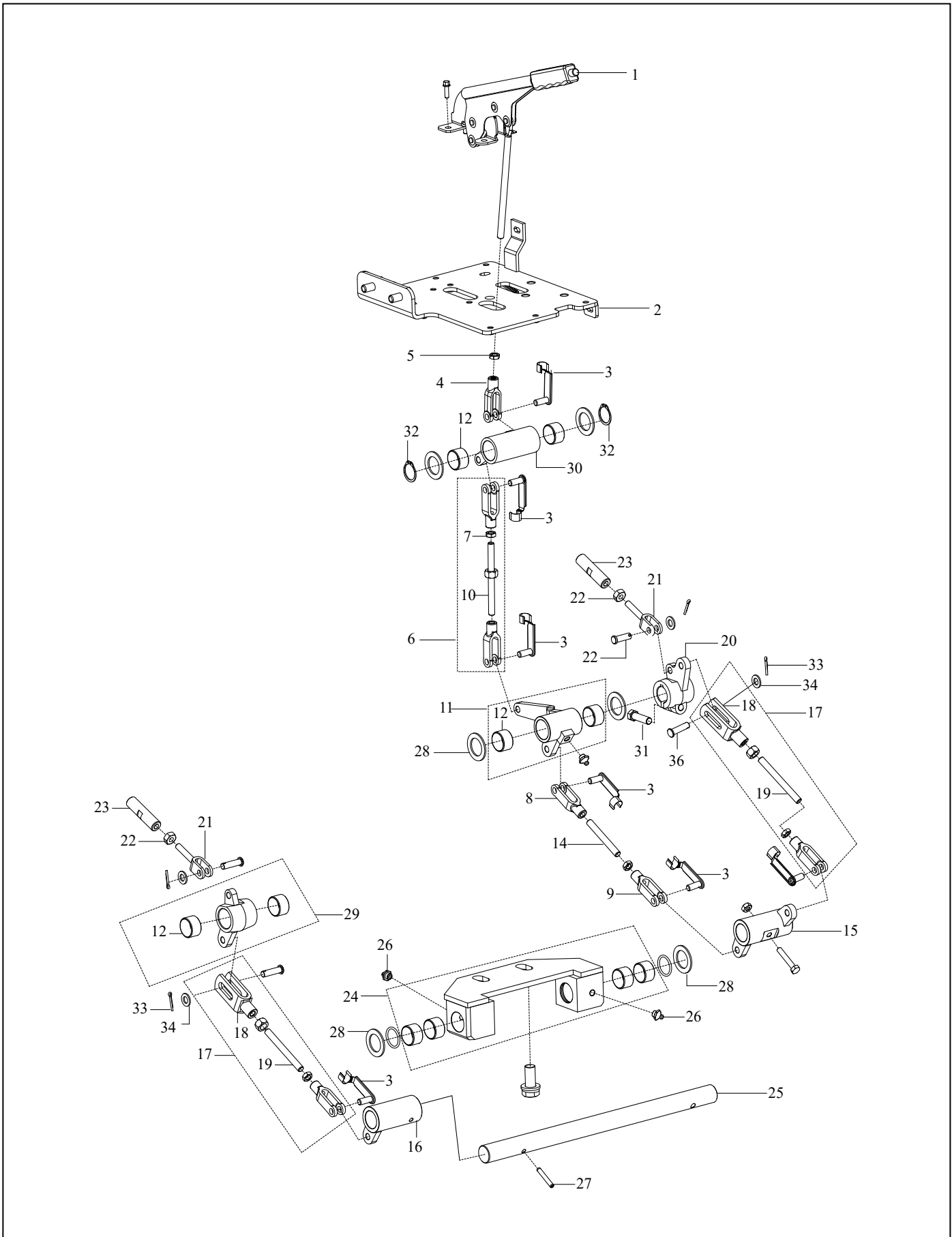
**TABLE-31**  
**BRAKES AND BRAKE CONTROLS**



**TABLE-31**  
**BRAKES AND BRAKE CONTROLS**

Fig. No.	Part No.	Description	Qty
1	D10012250.9	SPRING BRAKE PEDAL RETURN	2
2	D10255360.9	BRACKET ASSEMBLY BRAKE AND CLUTCH PEDAL MOUNTING	1
3	D10256190.9	ROD AND CLEVIS ASSEMBLY LOWER BRAKE RH	1
4	D10013460.9	PIN 1/8"X0.75" COTTER	4
5	D85500140.9	WASHER M10 FLAT	5
6	D10258180.9	PIN 10X35 CLEVIS	3
7	D10242460.9	HUB BRAKE PEDAL RH	1
8	D10279580.9	SWITCH ASSEMBLY STOP LAMP NC TYPE	1
9	D10293150.9	CLEVIS 3/8" -24 LH THREAD	1
10	D10255220.9	LEVER ASSEMBLY PARKING BRAKE	1
11	D10256240.9	HUB AND LEVER ASSEMBLY BRAKE PEDAL RH	1
12	D10297260.9	ROD AND CLEVIS ASSEMBLY CLUTCH CONTROL	2
13	D10181100.9	ROD AND CLEVIS ASSEMBLY BRAKE CONTROL	2
14	D10234130.9	HUB BRAKE LH	1
15	D10012560.9	SEAL ASSEMBLY BRAKE PEDAL SHAFT	2
16	D10012030.9	SHAFT BRAKE PEDAL	1
17	D91000070.9	KEY 1/4"X7/8" WOODRUFF	2
18	D10181170.9	BOOT EXTERNAL REAR WHEEL BRAKE LINKAGE (DIA 50)	1
19	D10181190.9	FORK BRAKE CONTROL	1
20	D10509260.9	ROD AND CLEVIS ASSEMBLY BOTTOM PARKING BRAKE	1
21	D10509280.9	HUB AND LEVER ASSEMBLY PARKING BRAKE LEFT	1
22	D10509310.9	ROD AND CLEVIS ASSEMBLY FRONT PARKING BRAKE	2
23	D10509330.9	HUB AND LEVER ASSEMBLY BRAKE PEDAL SHAFT PARKING BRAKE LEFT	1
24	D10509360.9	BRACKET AND BUSH ASSEMBLY PARKING BRAKE	2
25	D10509390.9	ROD INTERMEDIATE PARKING BRAKE	1
26	D10243340.9	CLAMP ASSEMBLY RUBBER BOOT BRAKE	2
27	D10234120.9	LEVER BRAKE OPERATING LH	1

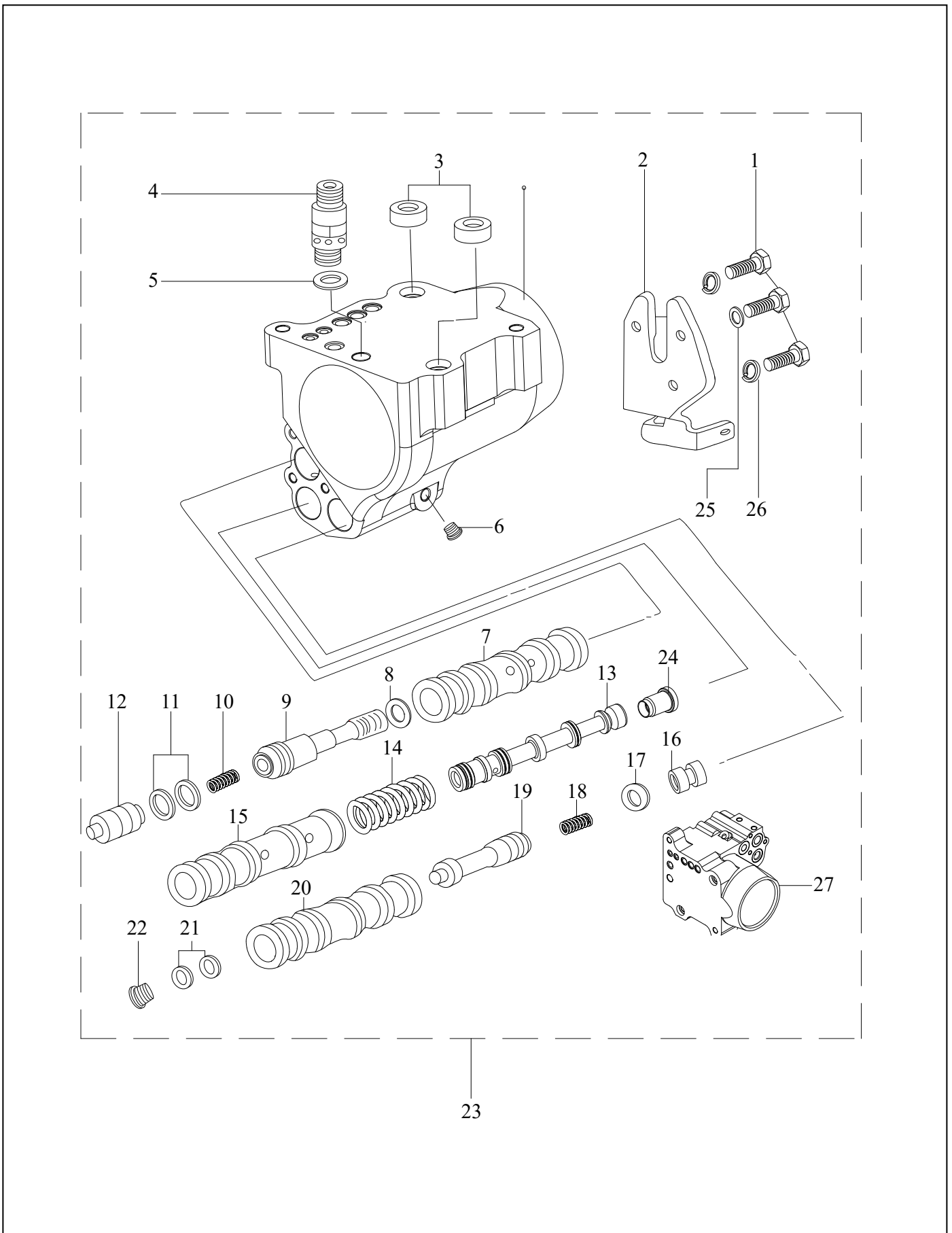
**TABLE-31A**  
**INDEPENDENT PARKING BRAKE**



**TABLE-31A**  
**INDEPENDENT PARKING BRAKE**

Fig. No.	Part No.	Description	Qty
1	D10255220.9	LEVER ASSEMBLY PARKING BRAKE	1
2	D10395700.9	BRACKET ASSEMBLY IPTO MOUNTING	1
3	D10292730.9	PIN 3/8" CLEVIS	8
4	D10102360.9	CLEVIS 3/8"	1
5	D83000010.9	NUT 3/8"-24 HEX	8
6	D10509190.9	ROD AND CLEVIS ASSEMBLY LOWER PARKING BRAKE	1
7	D10243650.9	NUT BRAKE CONTROL ROD	1
8	D10293150.9	CLEVIS 3/8" -24 LH THREAD	3
9	D10293160.9	CLEVIS 3/8"	3
10	D10509200.9	ROD LINKAGE LOWER PARKING BRAKE	1
11	D10509210.9	HUB AND LEVER ASSEMBLY BRAKE LH	1
12	D10062640.9	BUSHING CLUTCH PEDAL	2
13	D10509260.9	ROD AND CLEVIS ASSEMBLY BOTTOM PARKING BRAKE	1
14	D10509270.9	ROD BOTTOM PARKING BRAKE	1
15	D10509280.9	HUB AND LEVER ASSEMBLY PARKING BRAKE LEFT	1
16	D10509400.9	HUB AND LEVER ASSEMBLY PARKING BRAKE RIGHT	1
17	D10509310.9	ROD AND CLEVIS ASSEMBLY FRONT PARKING BRAKE	2
18	D10493790.9	FORK BRAKE CONTROL CLEVIS ASSEMBLY	2
19	D10509320.9	ROD FRONT PARKING BRAKE	2
20	D10509330.9	HUB AND LEVER ASSEMBLY BRAKE PEDAL SHAFT PARKING BRAKE LEFT	1
21	D10181100.9	ROD AND CLEVIS ASSEMBLY BRAKE CONTROL	2
22	D83500080.9	NUT M10X1.00-8 HEX	6
23	D10113310.9	CONNECTOR FORK BRAKE	2
24	D10509360.9	BRACKET AND BUSH ASSEMBLY PARKING BRAKE	2
25	D10509390.9	ROD INTERMEDIATE PARKING BRAKE	1
26	D92500020.9	GREASE NIPPLE A M10X1	3
27	D87500320.9	PIN 6.35X40 SPRING DOWEL COMBINATION TYPE	1
27-1	D87000160.9	PIN 1/4"X1.50" SPRING DOWEL COMBINATION TYPE	1
28	D10012260.9	WASHER BRAKE PEDAL CROSS SHAFT THRUST	5
29	D10509410.9	HUB AND LEVER ASSEMBLY BRAKE PEDAL SHAFT PARKING BRAKE RIGHT	1
30	D10416180.9	LEVER AND HUB ASSEMBLY PARKING BRAKE	1
31	D81000470.9	BOLT 7/16"-14X1.50" HEX HEAD	5
32	D90000570.9	CIRCLIP A28X1.5 N	2
33	D10013460.9	PIN 1/8"X0.75" COTTER	2
34	D85500140.9	WASHER M10 FLAT	2
35	D93400030.9	PIN 3/8"X1.14" CLEVIS	5
36	D10258180.9	PIN 10X35 CLEVIS	3

**TABLE-32**  
**HYDRAULIC LIFT CYLINDER**

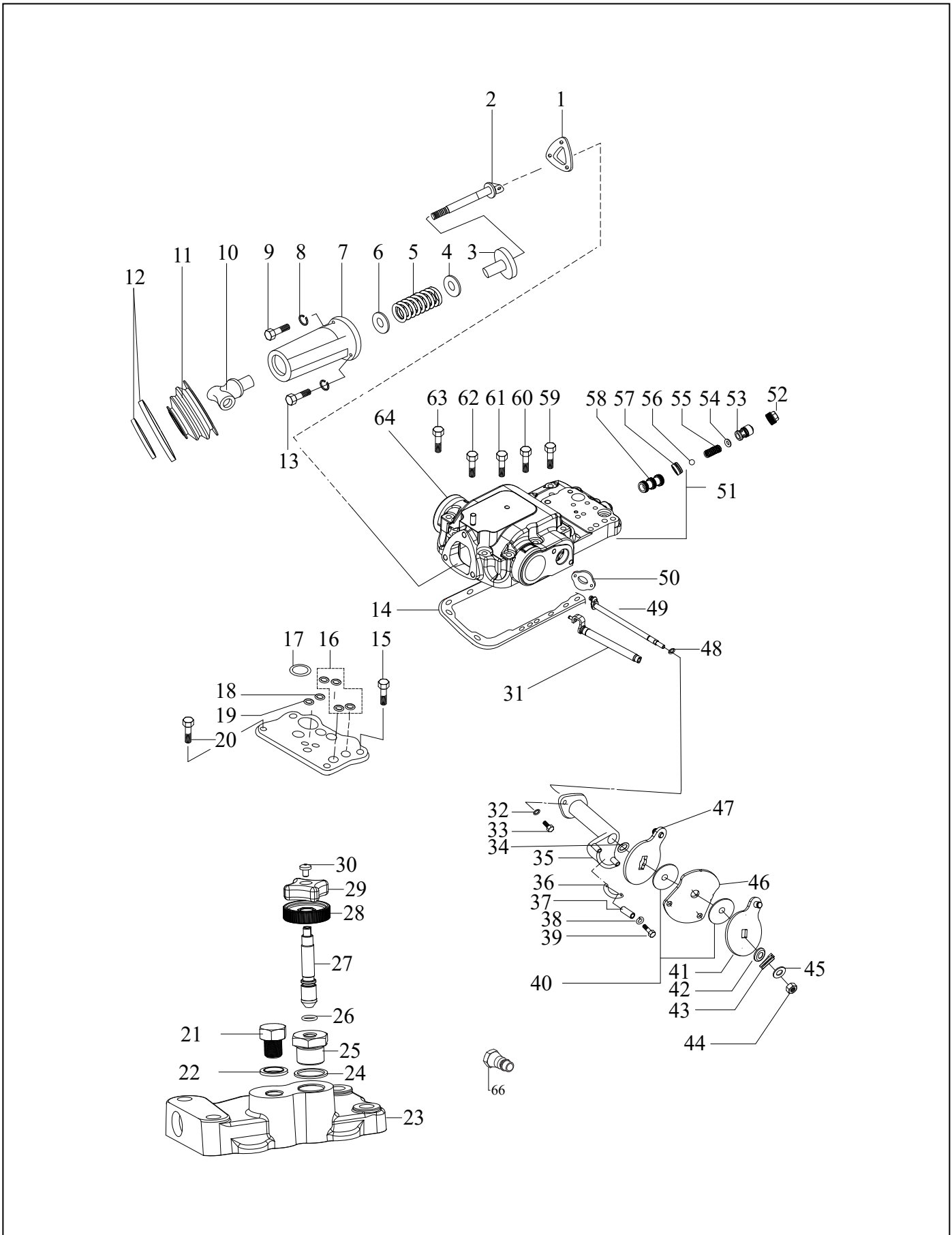




**TABLE-32**  
**HYDRAULIC LIFT CYLINDER**

Fig. No.	Part No.	Description	Qty
1	D10072280.9	BOLT 5/16"-18X0.75" HEX HEAD FLANGED	3
2	D10068990.9	PLATE HYDRAULIC LIFT VALVE RETAINING REAR	1
3	D10059200.9	RING HYDRAULIC CYLINDER DOWEL	2
4	D10194150.9	VALVE ASSEMBLY HYDRAULIC LIFT SAFETY	1
5	D10059580.9	GASKET HYDRAULIC LIFT SAFETY VALVE	1
6	D93100060.9	PLUG 1/8"-27 SOCKET HEX HEAD (STEEL)	4
7	D10068920.9	BUSHING HYDRAULIC LIFT UNLOADING VALVE REAR	1
8	D93600060.9	SEAL O RING 0.070"X0.500"	1
9	D10069000.9	VALVE HYDRAULIC LIFT UNLOAD	1
10	D10066650.9	SPRING HYDRAULIC LIFT UNLOAD VALVE	1
11	D93600170.9	SEAL O RING 0.070"X0.562"	2
12	D10060690.9	PLUG HYDRAULIC LIFT UNLOAD VALVE	1
13	D10077940.9	VALVE HYDRAULIC LIFT CONTROL	1
14	D10061760.9	SPRING HYDRAULIC LIFT CONTROL VALVE	1
15	D10194520.9	BUSHING CONTROL VALVE HYDRAULIC LIFT	1
16	D10069040.9	PLUG HYDRAULIC LIFT VALVE BLOCK	1
17	D93600050.9	SEAL O RING 0.070"X0.440"	1
18	D10069030.9	SPRING HYDRAULIC LIFT FLOW CONTROL VALVE	1
18-1	D10403410.9	SPRING HYDRAULIC LIFT FLOW CONTROL VALVE	1
19	D10069010.9	SPOOL HYDRAULIC LIFT PUMP FLOW CONTROL VALVE	1
20	D10077930.9	BUSHING HYDRAULIC LIFT FLOW CONTROL	1
21	D93600060.9	SEAL O RING 0.070"X0.500"	2
22	D10067770.9	PLUG HYDRAULIC LIFT VALVE BLOCK	1
23	D10177330.9	CYLINDER WITH VALVE ASSEMBLY AND PISTON ASSEMBLY HYDRAULIC LIFT	1
23-1	D11062040AA.9	CYLINDER WITH VALVE ASSEMBLY AND PISTON ASSEMBLY HYDRAULIC LIFT	1
24	D10077950.9	SLEEVE HYDRAULIC LIFT CONTROL VALVE	1
25	D85500130.9	WASHER M8 FLAT	1
26	D86000040.9	WASHER 5/16" SPRING LOCK	2
27	D10177270.9	CYLINDER ASSEMBLY WITH BUSHING AND SPOOL VALVE HYDRAULIC LIFT	1
27-1	D10624930.9	CYLINDER ASSEMBLY WITH BUSHING AND SPOOL VALVE HYDRAULIC LIFT	1

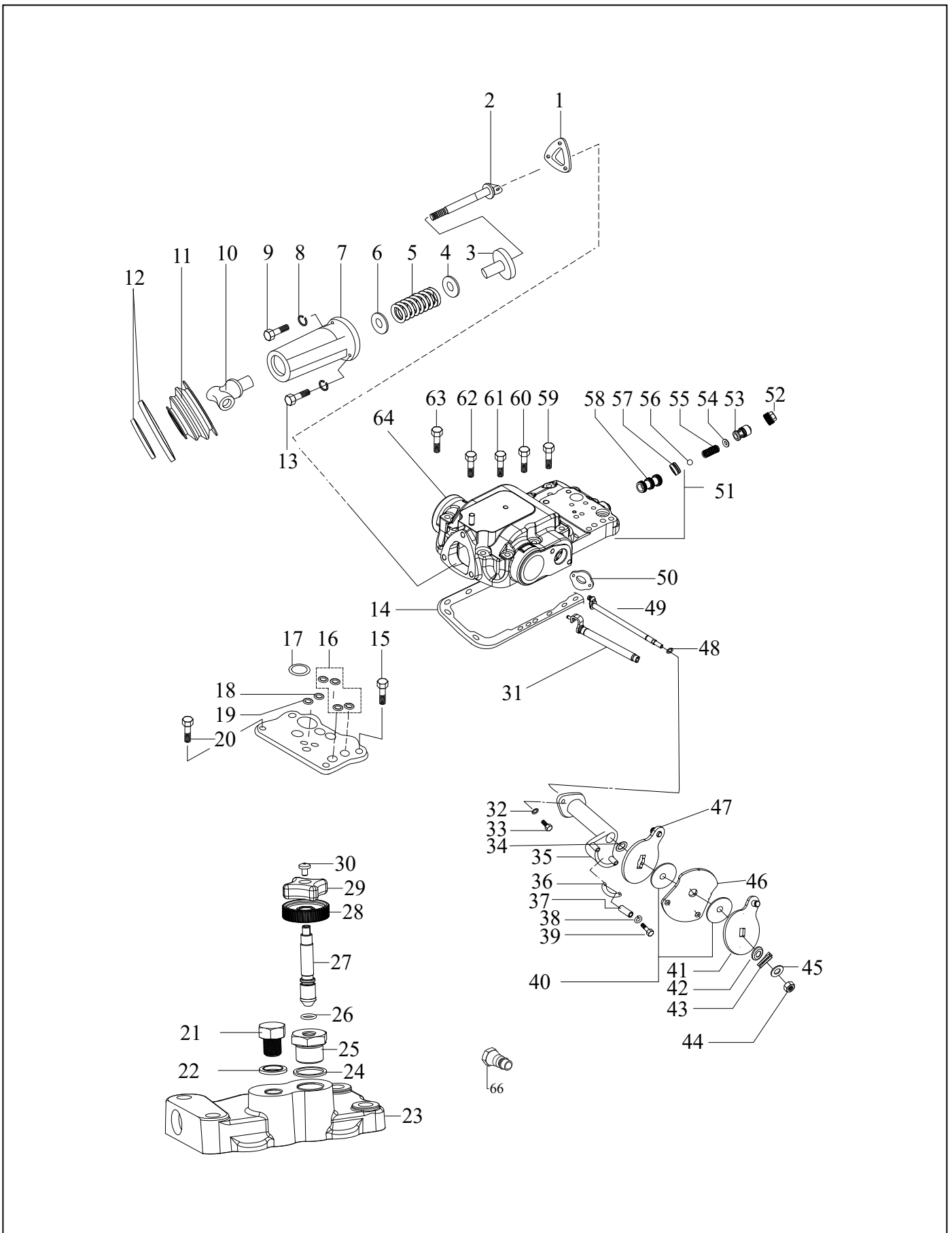
**TABLE-33**  
**HYDRAULIC LIFT COVER**



**TABLE-33**  
**HYDRAULIC LIFT COVER**

Fig. No.	Part No.	Description	Qty
1	D10072290.9	GASKET HOUSING HYDRAULIC LIFT	1
2	D10077870.9	PLUNGER HYDRAULIC LIFT DRAFT CONTROL	1
3	D10058630.9	SEAT DRAFT CONTROL SPRING HOUSING	1
4	D10059170.9	SHIM HYDRAULIC LIFT DRAFT CONTROL (0.0150")	AR
5	D10096860.9	SPRING HPL DRAFT CONTROL MAIN	1
5-1	D10368470.9	SPRING HPL DRAFT CONTROL MAIN	1
6	D10059510.9	SEAT HYDRAULIC LIFT DRAFT CONTROL SPRING	1
7	D10236320.9	HOUSING HYDRAULIC LIFT DRAFT CONTROL SPRING	1
8	D86000020.9	WASHER 7/16" SPRING LOCK	3
9	D10292860.9	BOLT 7/16"-14X1.75" HEX HEAD WITH HOLE	1
10	D10236310.9	YOKE HYDRAULIC LIFT	1
10-1	D10349460.9	YOKE HYDRAULIC LIFT	1
11	D10236300.9	BOOT HYDRAULIC LIFT YOKE	1
11-1	D10385440.9	BOOT HYDRAULIC LIFT YOKE	1
12	D10236610.9	CLAMP YOKE HYDRAULIC LIFT	2
13	D81001030.9	BOLT 7/16"-14X1.75" HEX HEAD	2
14	D10012170.9	GASKET HYDRAULIC LIFT ASSEMBLY	1
15	D81001020.9	BOLT 5/16"-18X1.50" HEX HEAD	1
16	D93600190.9	SEAL O RING 0.103"X0.562"	5
17	D93600200.9	SEAL O RING 0.103"X0.812"	1
18	D93600050.9	SEAL O RING 0.070"X0.440"	1
19	D93600060.9	SEAL O RING 0.070"X0.500"	1
20	D10061110.9	BOLT 7/16"-14X1.38" HEX HEAD	2
21	D81001170.9	BOLT 9/16-18X0.62 HEX HEAD	1
22	D10066820.9	SEAL 9/16" OIL PASSAGE PLUG	1
23	D10213740.9	COVER HYDRAULIC LIFT ACCESSORY (MACHINING)	1
24	D10186460.9	WASHER 22X27 FLAT COPPER	1
25	D10186470.9	ADAPTER M22X1.5 COVER HYDRAULIC LIFT ACCESSORY	1
26	D10186450.9	SEAL O RING 1.80X9.0	1
27	D10186510.9	SPOOL COVER HYDRAULIC LIFT ACCESSORY	1
28	D10186480.9	KNOB COVER HYDRAULIC LIFT ACCESSORY LOWER	1
29	D10228950.9	KNOB COVER HYDRAULIC LIFT ACCESSORY UPPER	1
30	D10186500.9	SCREW COVER HYDRAULIC LIFT ACCESSORY	1
31	D10289190.9	SUPPORT HYDRAULIC LIFT CONTROL QUADRANT	1
32	D86000020.9	WASHER 7/16" SPRING LOCK	2
33	D81000100.9	BOLT 7/16"-14X1.00" HEX HEAD	2
33-1	D81000470.9	BOLT 7/16"-14X1.50" HEX HEAD	2
34	D93600050.9	SEAL O RING 0.070"X0.440"	1
35	D10069400.9	SUPPORT HYDRAULIC LIFT CONTROL QUADRANT	1
36	D10060820.9	SPACER HYDRAULIC LIFT CONTROL LEVER	AR

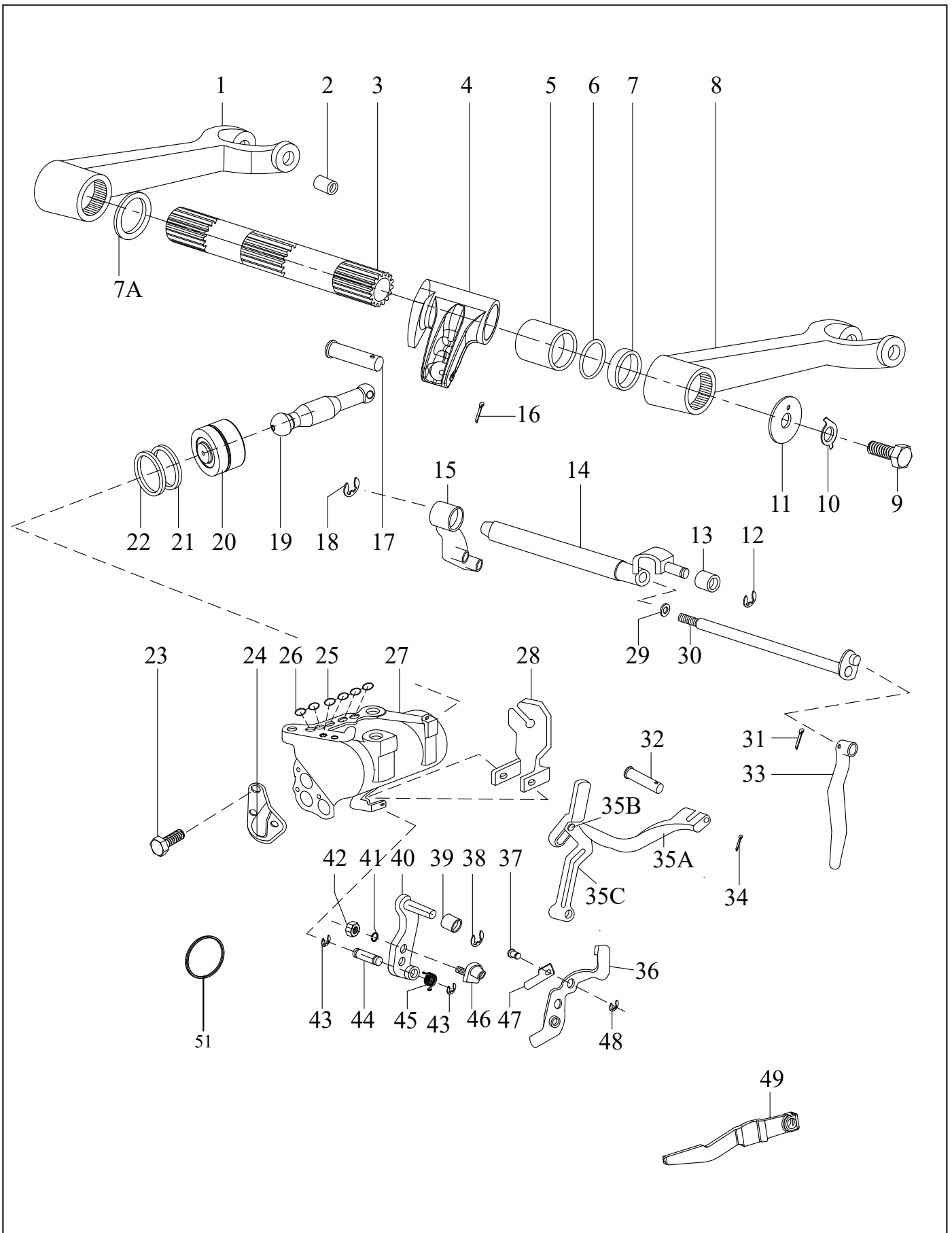
**TABLE-33**  
**HYDRAULIC LIFT COVER**



**TABLE-33**  
**HYDRAULIC LIFT COVER**

Fig. No.	Part No.	Description	Qty
37	D10258770.9	BUSH HYDRAULIC BODY EXTENTION	2
38	D86000010.9	WASHER 3/8" SPRING LOCK	2
39	D81001120.9	BOLT 3/8"-16X3.00" HEX HEAD	2
40	D10069270.9	DISC HYDRAULIC LIFT CONTROL FRICTION	2
41	D10258810.9	LEVER ASSEMBLY HYDRAULIC LIFT POSITION CONTROL	1
42	D10072300.9	WASHER LIFT CONTROL SHAFT CUP	1
43	D10072320.9	WASHER HYDRAULIC LIFT CONTROL SPRING	1
44	D83000100.9	NUT 7/16"-20 NYLOCK	1
45	D85500060.9	WASHER M12 FLAT	1
46	D10258820.9	DISC HYDRAULIC LIFT CONTROL	1
47	D10258800.9	LEVER ASSEMBLY HYDRAULIC LIFT DRAFT CONTROL	1
48	D10024070.9	SEAL O RING 2.40X25.00	1
49	D10280280.9	SHAFT HYDRAULIC LIFT CONTROL LEVER	1
50	D10058660.9	GASKET HYDRAULIC LIFT QUADRANT COVER	1
50-1	D93600870.9	SEAL O RING 2.62X29.82	1
51	D10490170.9	COVER HYDRAULIC LIFT WITH SLEEVE ASSEMBLY	1
51-1	D10497400.9	COVER HYDRAULIC LIFT WITH SLEEVE ASSEMBLY	1
52	D10059150.9	PLUG HYDRAULIC LIFT CHECK VALVE	1
53	D10068910.9	RETAINER HYDRAULIC LIFT CHECK VALVE	1
54	D93600090.9	SEAL O RING 0.103"X0.625"	1
55	D10060590.9	SPRING HYDRAULIC LIFT CHECK VALVE	1
56	D10066970.9	BALL 15/32" DIAMETER	1
57	D10193040.9	SEAT HYDRAULIC LIFT CHECK VALVE AND SEAL ASSEMBLY	1
58	D10059320.9	SLEEVE HYDRAULIC LIFT CHECK VALVE SEAT	1
59	D81000470.9	BOLT 7/16"-14X1.50" HEX HEAD	4
60	D10067070.9	BOLT 7/16"-20X1.75" HEX HEAD	3
61	D81000480.9	BOLT 7/16"-14X2.00" HEX HEAD	1
62	D81000500.9	BOLT 7/16"-14X3.25" HEX HEAD	4
63	D81000510.9	BOLT 7/16"-14X3.50" HEX HEAD	5
64	D10077970.9	PIN PLUNGER GUIDE HYDRAULIC LIFT	1
65	D10017590.9	KNOB HYDRAULIC LIFT CONTROL LEVER STOP	1
66	D10173630.9	ADAPTOR VALVE HYDRAULIC REMOTE	1

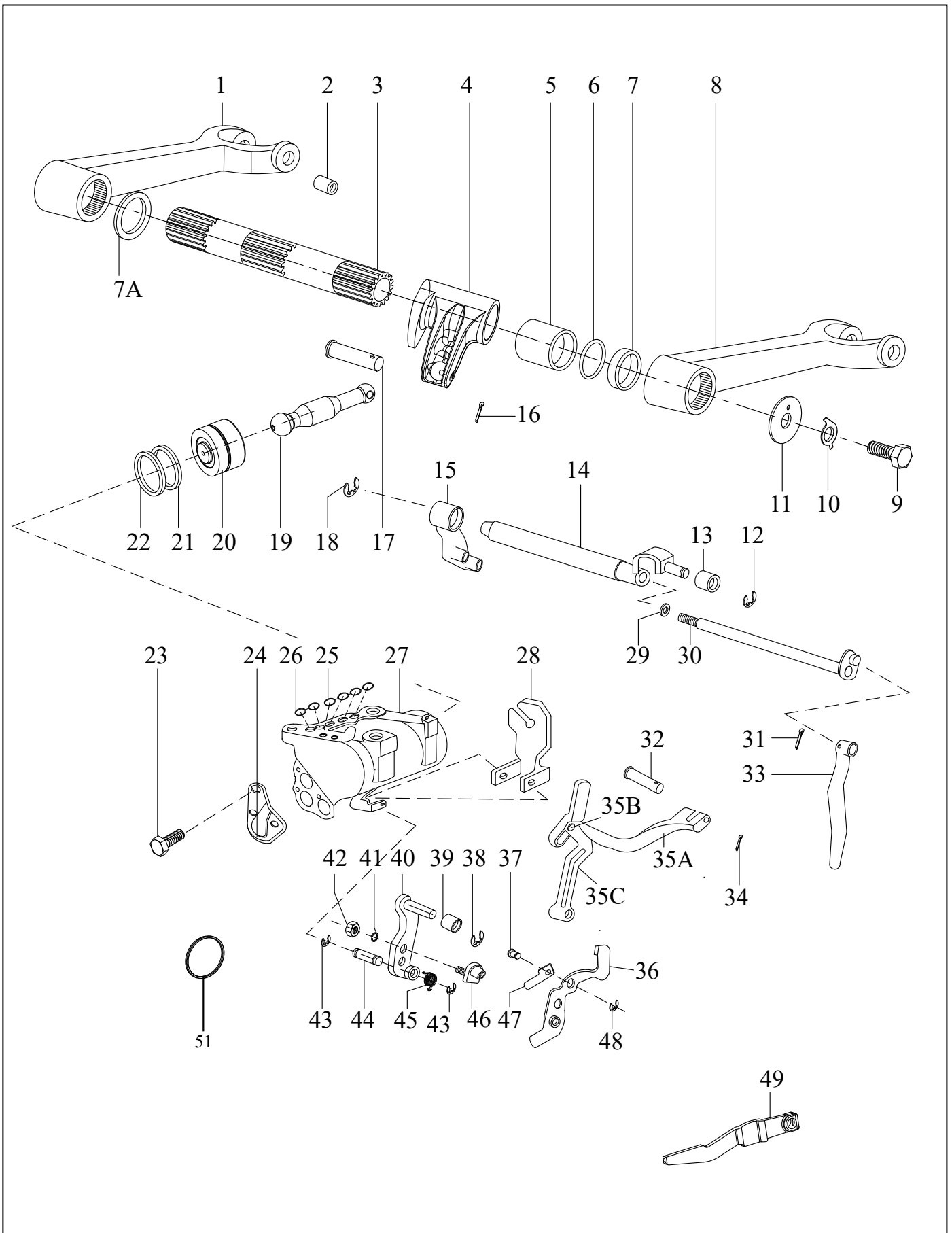
**TABLE-34**  
**HYDRAULIC LIFT SHAFTS HEAVY DUTY**



**TABLE-34**  
**HYDRAULIC LIFT SHAFTS HEAVY DUTY**

Fig. No.	Part No.	Description	Qty
1	D10433440.9	ARM ASSEMBLY HYDRAULIC LIFT RH	1
1-1	D10497440.9	ARM ASSEMBLY HYDRAULIC LIFT RH	1
2	D10095850.9	BUSH HYDRAULIC POWER LIFT ARM	4
3	D10433410.9	SHAFT HYDRAULIC LIFT	1
3-1	D10497420.9	SHAFT HYDRAULIC LIFT	1
4	D10433420.9	ARM HYDRAULIC LIFT RAM	1
5	D10095240.9	BUSHING HYDRAULIC LIFT SHAFT	2
6	D10095170.9	SEAL O RING 3.2X54.0	2
6-1	D93600890.9	SEAL O RING 2.62X59.99	2
7	D10095230.9	BUSHING HYDRAULIC LIFT SHAFT	2
7-1	D10414810.9	BUSH HYDRAULIC LIFT SHAFT	2
8	D10433430.9	ARM ASSEMBLY HYDRAULIC LIFT LH	1
8-1	D10497430.9	ARM ASSEMBLY HYDRAULIC LIFT LH	1
9	D81001010.9	BOLT 1/2"-20X1.00" HEX HEAD	2
10	D10058700.9	WASHER SHAFT HYDRAULIC LIFT LOCK	2
11	D10095210.9	WASHER SHAFT HYDRAULIC LIFT	2
12	D90000410.9	RING 3/8" RETAINING TYPE RC EXTERNAL	1
13	D10067730.9	ROLLER HYDRAULIC LIFT POSITION CAM FOLLOWER	1
14	D10289190.9	SUPPORT HYDRAULIC LIFT CONTROL QUADRANT	1
15	D10067590.9	LEVER AND ROLLER ASSEMBLY HYDRAULIC LIFT CONTROL	1
16	D10013460.9	PIN 1/8"X0.75" COTTER	1
17	D10066580.9	PIN 5/16"X2.00" CLEVIS	1
18	D90000430.9	RING 1" RETAINING TYPE RC EXTERNAL	1
19	D10095160.9	ROD HYDRAULIC LIFT CONNECTING	1
20	D10095140.9	PISTON HYDRAULIC LIFT CYLINDER	1
21	D10281210.9	SEAL O RING PISTON HYDRAULIC LIFT	1
22	D10234190.9	RING HYDRAULIC LIFT PISTON SEAL	1
23	D10072280.9	BOLT 5/16"-18X0.75" HEX HEAD FLANGED	3
24	D10095200.9	BAFFLE HYDRAULIC LIFT CYLINDER OIL OUTER	1
25	D10072340.9	SEAL O RING 0.364"X0.066"	2
26	D10249630.9	SEAL RING 1.68X11.44 DIAMETER HYDRAULIC LIFT ACCESS COVER	4
27	D10177330.9	CYLINDER WITH VALVE ASSEMBLY AND PISTON ASSEMBLY HYDRAULIC LIFT	1
27-1	D11062040AA.9	CYLINDER WITH VALVE ASSEMBLY AND PISTON ASSEMBLY HYDRAULIC LIFT	1
28	D10068990.9	PLATE HYDRAULIC LIFT VALVE RETAINING REAR	1
29	D10067700.9	WASHER HYDRAULIC LIFT SHAFT THRUST	1
30	D10280280.9	SHAFT HYDRAULIC LIFT CONTROL LEVER	1
31	D93400140.9	PIN 1/8X0.75 SPRING ROLL	1
32	D10067060.9	PIN 3/8"X1.656" CLEVIS	1
33	D10077850.9	LEVER HYDRAULIC LIFT DRAFT CONTROL	1
34	D10013460.9	PIN 1/8"X0.75" COTTER	1

**TABLE-34**  
**HYDRAULIC LIFT SHAFTS HEAVY DUTY**

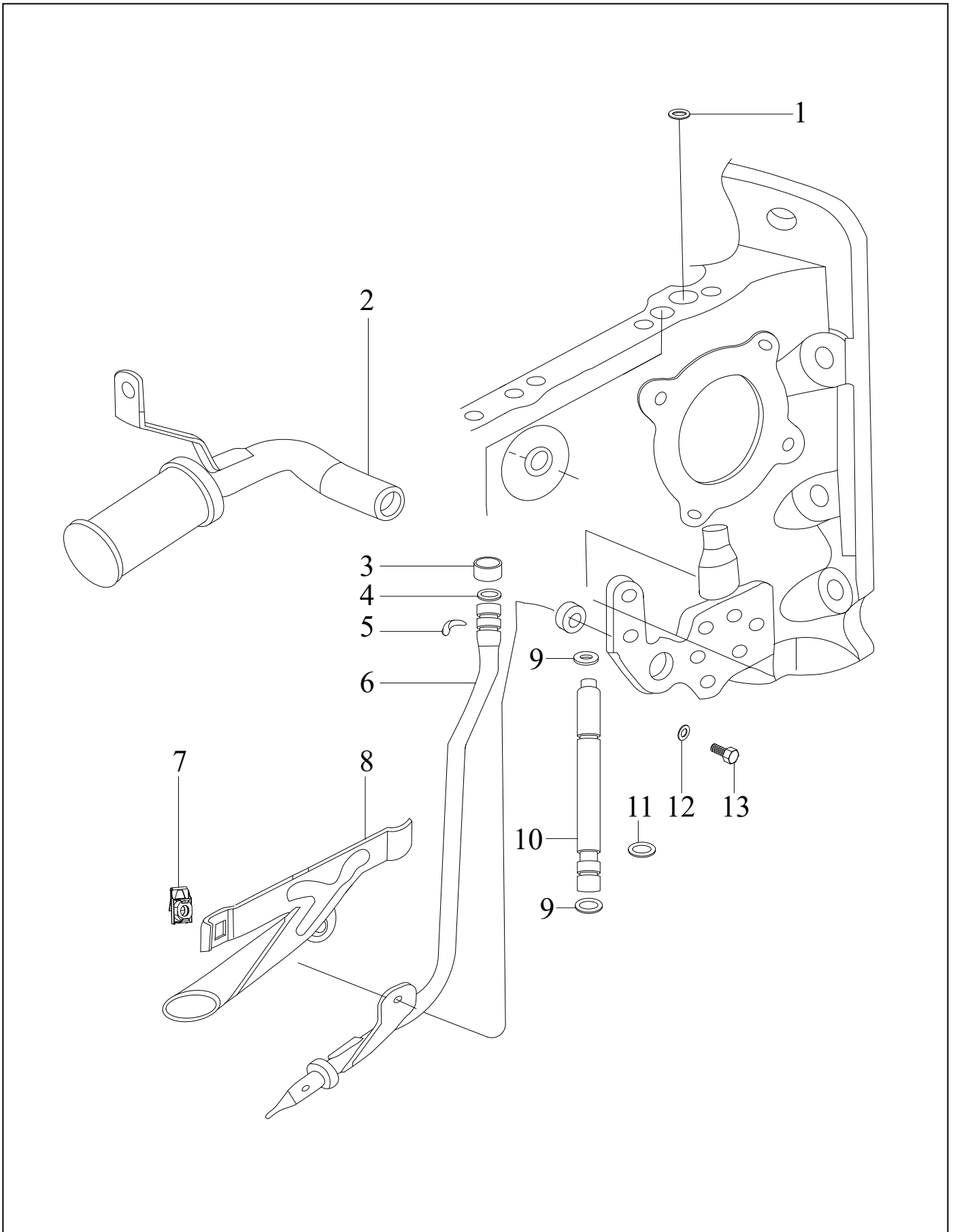




**TABLE-34**  
**HYDRAULIC LIFT SHAFTS HEAVY DUTY**

Fig. No.	Part No.	Description	Qty
35A	D10286500.9	LINK HYDRAULIC LIFT DRAFT CONTROL CONNECTER	1
35B	D10077960.9	PIN PIVOT ACUATOR HYDRAULIC LIFT	1
36	D10059910.9	LEVER HYDRAULIC LIFT CONTROL VALVE	1
37	D10067750.9	PIN HYDRAULIC LIFT ACTUATOR PIVOT	1
38	D90000220.9	RING 7/16" RETAINING TYPE RC EXTERNAL	2
39	D10067720.9	ROLLER HYDRAULIC LIFT POSITION CAM FOLLOWER	1
40	D10095180.9	LEVER ASSEMBLY HYDRAULIC LIFT CONTROL VALVE	1
41	D86000010.9	WASHER 3/8" SPRING LOCK	1
42	D83000020.9	NUT 3/8"-16 HEX	1
43	D10012440.9	RING 1/2" RETAINING TYPE RB EXTERNAL	2
44	D10067740.9	PIN HYDRAULIC LIFT ACTUATOR PIVOT	1
45	D10058250.9	SPRING HYDRAULIC LIFT POSITION CONTROL VALVE OVERTRAVEL	1
46	D10067680.9	SHAFT HYDRAULIC LIFT CONTROL LEVER	1
47	D10058580.9	ACTUATOR HYDRAULIC LIFT VALVE	1
48	D10066720.9	RING 5/16" RETAINING TYPE RB EXTERNAL	1
49	D10067690.9	LEVER HYDRAULIC LIFT CONTROL	1
50	D10145860.9	KIT BUSHING HYDRAULIC LIFT SHAFT	1
51	D10414880.9	SEAL RING 2.62X55.25	1

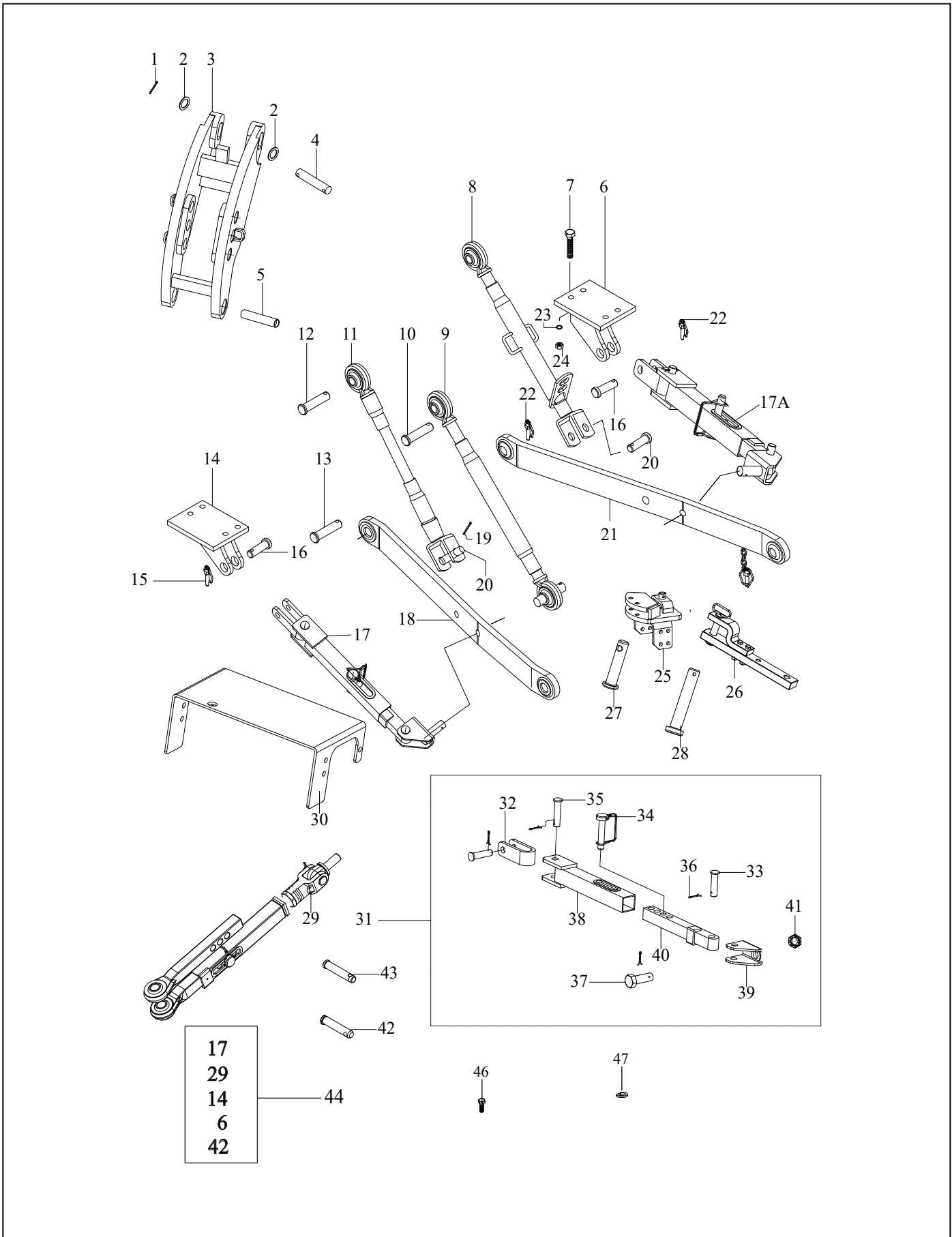
**TABLE-35**  
**HYDRAULIC FLOW SYSTEM**



**TABLE-35**  
**HYDRAULIC FLOW SYSTEM**

Fig. No.	Part No.	Description	Qty
1	D93600060.9	SEAL O RING 0.070"X0.500"	2
2	D10160350.9	PIPE ASSEMBLY HYDRAULIC LIFT INTAKE FILTER	1
3	D10002380.9	SPACER HYDRAULIC LIFT OIL RETURN	1
4	D93600050.9	SEAL O RING 0.070"X0.440"	1
5	D10002390.9	RETAINER HYDRAULIC LIFT OIL RETURN	2
6	D10199320.9	TUBE ASSEMBLY HYDRAULIC LIFT OIL RETURN	1
7	D10002450.9	NUT HYDRAULIC PUMP RELIEF VALVE BAFFLE	1
8	D10093290.9	TUBE AND BRACKET ASSEMBLY	1
9	D93600060.9	SEAL O RING 0.070"X0.500"	1
10	D10199340.9	TUBE ASSEMBLY HYDRAULIC LIFT PRESSURE	1
11	D10002480.9	RING TUBE HYDRAULIC LIFT PRESSURE SNAP	1
12	D10002460.9	SEAL 5/16" DIAMETER HYDRAULIC OIL RETURN	1
13	D81000660.9	BOLT 5/16"-24X1.125" HEX HEAD	2

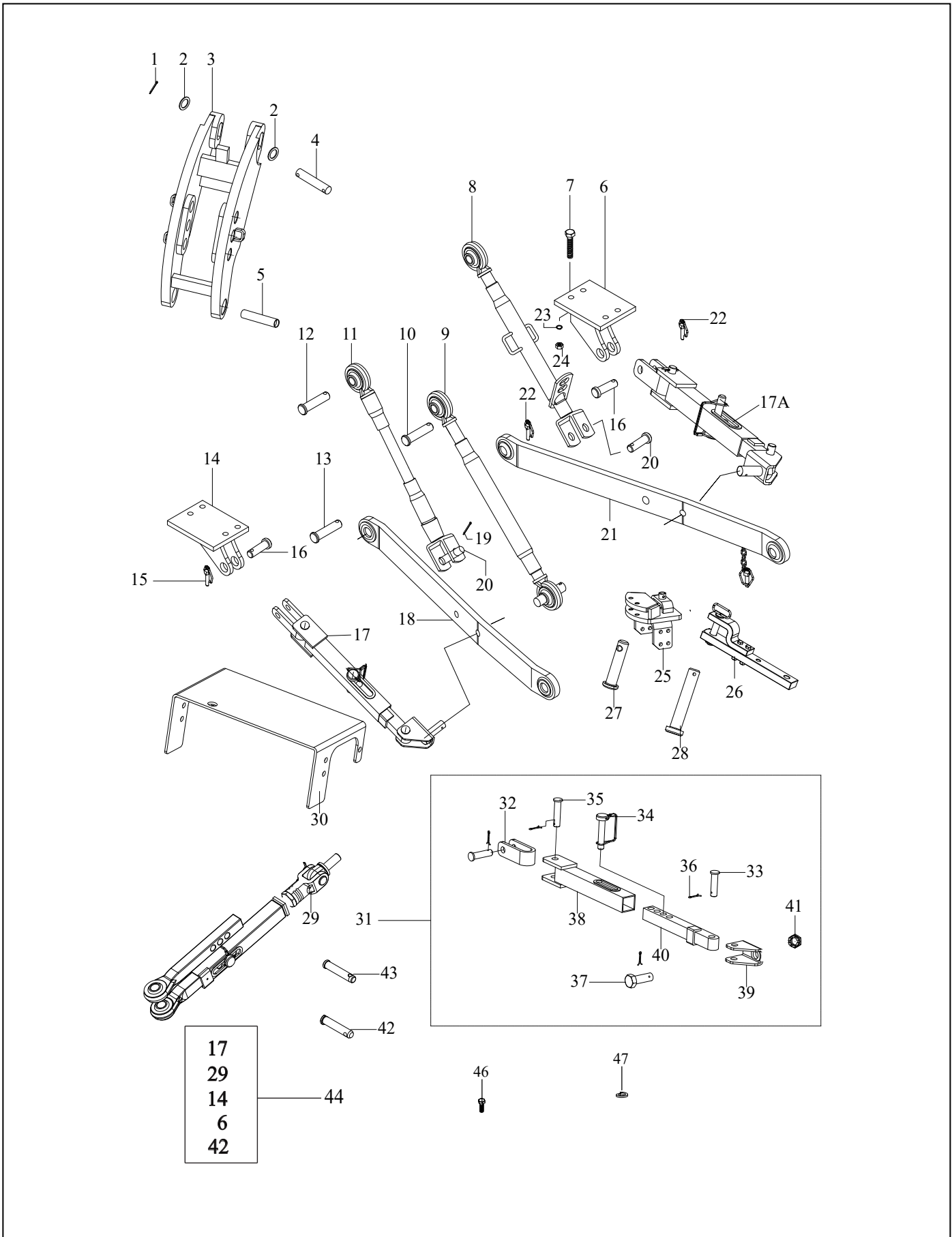
**TABLE-36**  
**HYDRAULIC LIFT LINKAGES**



**TABLE-36**  
**HYDRAULIC LIFT LINKAGES**

Fig. No.	Part No.	Description	Qty
1	D10013440.9	PIN 3/16"X1.25" COTTER	2
2	D10012180.9	WASHER PIN ROCKER HYDRAULIC LIFT	2
3	D10252820.9	ROCKER HYDRAULIC LIFT	1
3-1	D10384220.9	ROCKER HYDRAULIC LIFT	1
4	D10290600.9	PIN HYDRAULIC LIFT ROCKER	1
5	D10012160.9	BUSH ROCKER HYDRAULIC LIFT	1
6	D10418820.9	BRACKET STAY BAR MOUNTING RH	1
7	D81001390.9	BOLT 5/8"-18X10.8" CARRIAGE	8
8	D10303080.9	ROD ASSEMBLY HYDRAULIC LIFT LEVELLING RH	1
8-1	D10767620AB.9	ROD ASSEMBLY HYDRAULIC LIFT LEVELLING RH	1
9	D10412630.9	LINK ASSEMBLY HYDRAULIC UPPER LIFT	1
9-1	D10756210.9	LINK ASSEMBLY HYDRAULIC UPPER LIFT	1
9-2	D10387520.9	LINK ASSEMBLY HYDRAULIC UPPER LIFT	1
10	D10245510.9	PIN DRAWBAR HYDRAULIC UPPER LIFT LINK	1
11	D10370760.9	ROD ASSEMBLY HYDRAULIC LIFT LEVELLING LH	1
11-1	D10767660.9	ROD ASSEMBLY HYDRAULIC LIFT LEVELING LH	1
11-2	D10767660AB.9	ROD ASSEMBLY HYDRAULIC LIFT LEVELING LH	1
12	D10077320.9	PIN HYDRAULIC LIFT	1
13	D10012460.9	PIN LOWER LINK TO HYDRAULIC LIFT	1
14	D10418810.9	BRACKET STAY BAR MOUNTING LH	1
15	D10017310.9	PIN LYNCH LOCKING ASSEMBLY	2
16	D10411140.9	PIN DIA 15.8 STAY BAR SQUARE TYPE	2
17	D10418250.9	STAY BAR ASSEMBLY LH (SQUARE TYPE)	1
18	D10406380.9	LINK ASSEMBLY HYDRAULIC LIFT LOWER LH	1
18-1	D10082410.9	LINK ASSEMBLY HYDRAULIC LIFT LOWER LH	1
19	D88400210.9	PIN 5.0X40.0 COTTER	2
20	D10020820.9	PIN 15.8X58 CLEVIS HYDRAULIC LIFT ROD LH	1
21	D10406370.9	LINK ASSEMBLY HYDRAULIC LIFT LOWER RH	1
21-1	D10082420.9	LINK ASSEMBLY HYDRAULIC LIFT LOWER RH	1
22	D10020820.9	PIN 15.8X58 CLEVIS HYDRAULIC LIFT ROD LH	1
23	D86000120.9	WASHER 5/8" SPRING LOCK	8
24	D83000160.9	NUT 5/8"-18 HEX	8
25	D10510510.9	BRACKET ASSEMBLY SWINGING DRAWBAR	1
26	D10498150.9	SWINGING DRAWBAR ASSEMBLY	1
27	D10513310.9	PIN SWINGING DRAWBAR MOUNTING REAR	1
28	D10500720.9	PIN SWINGING DRAWBAR MOUNTING FRONT	2
29	D10418260.9	STAY BAR ASSEMBLY RH (SQUARE TYPE)	1
30	D10510480.9	GUARD PTO REAR	1
31	D10301500.9	STAY BAR ASSEMBLY LH (SQUARE TYPE)	1
32	D10316470.9	BRACKET STAY BAR REAR AXLE HOUSING SIDE	1

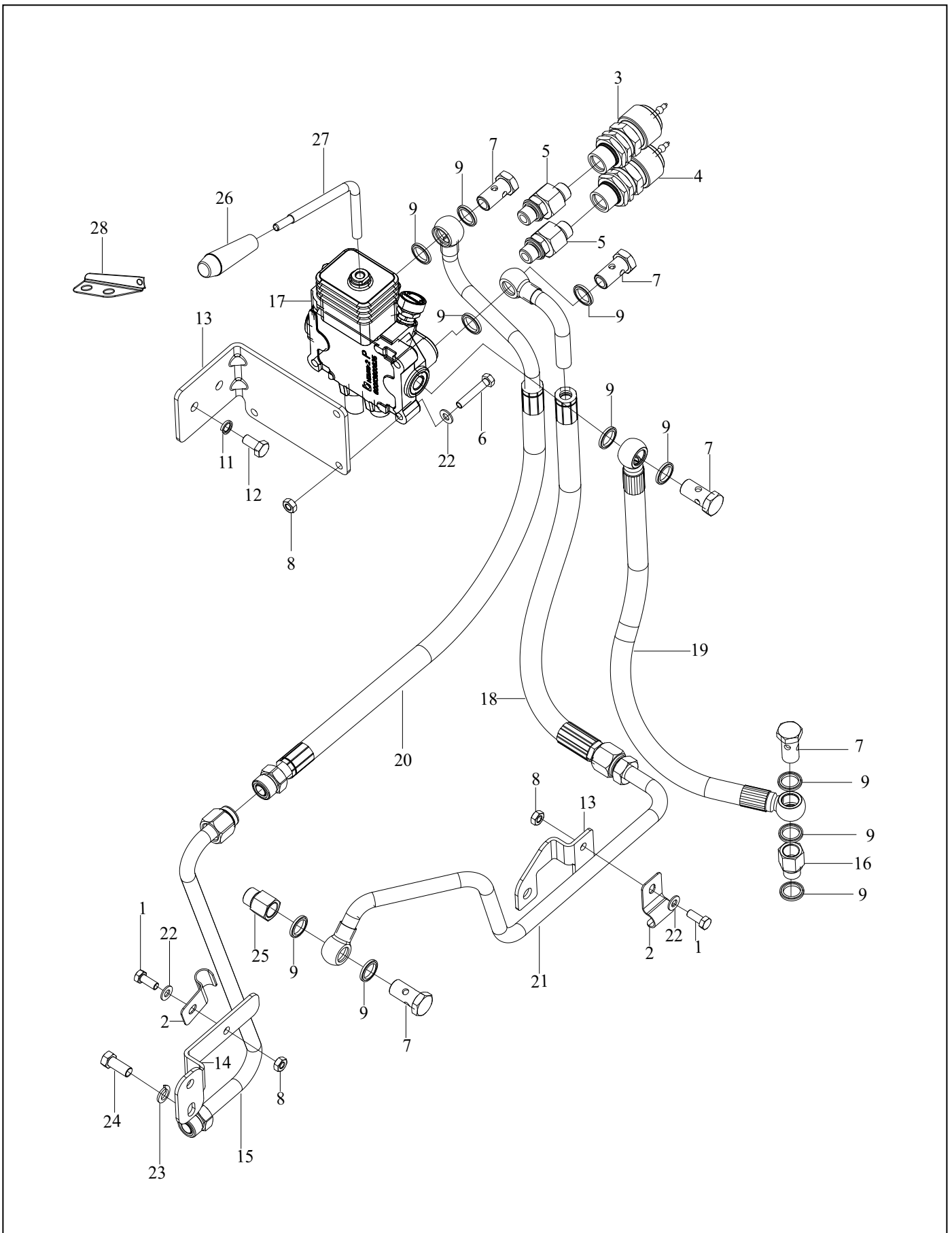
**TABLE-36**  
**HYDRAULIC LIFT LINKAGES**



**TABLE-36**  
**HYDRAULIC LIFT LINKAGES**

Fig. No.	Part No.	Description	Qty
33	D10295150.9	PIN 15.8X60 STAY BAR SQUARE TYPE	2
34	D10313590.9	PIN AND RING ASSEMBLY LYNCH	1
35	D10295140.9	PIN 15.8X68 STAY BAR SQUARE TYPE	1
36	D88400190.9	PIN 4.0X30 COTTER	4
37	D81501870.9	BOLT M20X1.5X35 HEX	1
38	D10316460.9	CHANNEL OUTER HOLLOW STAY BAR SQUARE TYPE	1
39	D10316480.9	BRACKET STAY BAR LOWER LINK SIDE	1
40	D10316450.9	CHANNEL INNER SOLID STAY BAR SQUARE TYPE	1
41	D83500690.9	NUT M20X1.50 CASTLE HEX (STAY BAR)	1
42	D10418320.9	PIN STAY BAR (INDUCTION HARDENED)	2
43	D10018450.9	PIN 1.0"X4.0" CLEVIS (HYDRAULIC LIFT UPPER LINK)	1
44	D10454910.9	KIT STAYBAR (FT 60 EPI/4455BT)	1
45	D10301510.9	STAY BAR ASSEMBLY RH (SQUARE TYPE)	1
46	D81000100.9	BOLT 7/16"-14X1.00" HEX HEAD	4
46-1	D81000470.9	BOLT 7/16"-14X1.50" HEX HEAD	4
47	D86500020.9	WASHER M12 SPRING LOCK	4

**TABLE-37**  
**SPOOL VALVE TUBING ASSEMBLY**

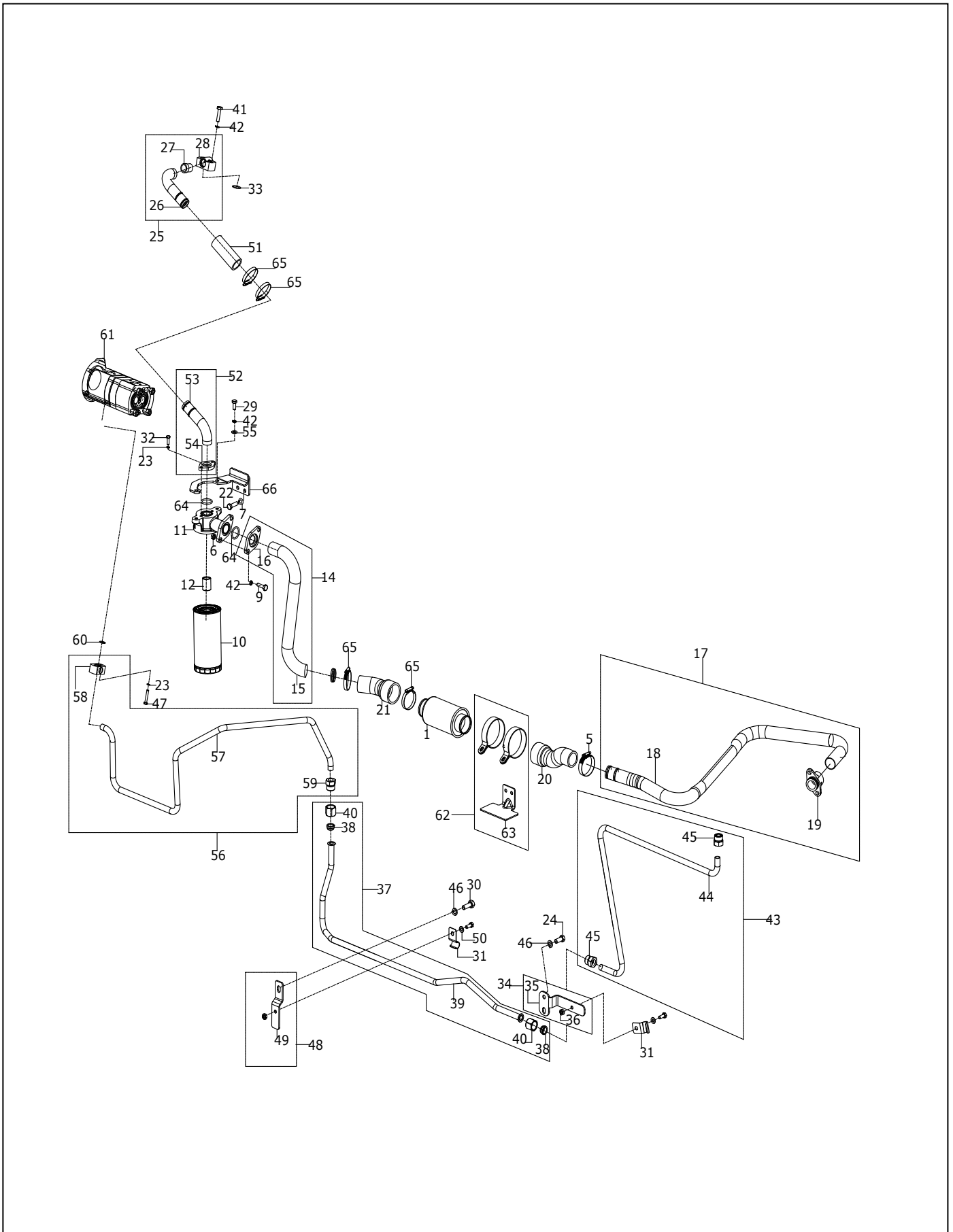




**TABLE-37**  
**SPOOL VALVE TUBING ASSEMBLY**

Fig. No.	Part No.	Description	Qty
1	D81500110.9	BOLT M8X1.25X20-8.8 HEX HEAD	2
1-1	D82500040.9	SCREW M8X1.25X20-8.8 HEX HEAD	2
2	D10504270.9	CLAMP TUBE HOLDING DIA 16	2
3	D10193340.9	COUPLING ASSEMBLY VALVE HYDRAULIC REMOTE (POPPET TYPE)	2
4	D10193330.9	COUPLING ASSEMBLY VALVE HYDRAULIC REMOTE (POPPET TYPE)	2
5	D10514960.9	ADAPTOR 3/4"-16 UNF AND M18X1.50 (S TYPE)	4
6	D81501150.9	BOLT M8X1.25X45 HEX HEAD	3
6-1	D81500190.9	BOLT M8X1.25X45-8.8P HEX HEAD	3
7	D10174960.9	BOLT BANJO M18X1.50	5
7-1	D10174960AD.9	BOLT BANJO M18X1.50	1
8	D83500060.9	NUT M8X1.25-6 HEX	3
9	D10174950.9	SEAL BANJO BOLT DISTRIBUTOR TO CYLINDER TUBE	11
9-1	D10174950AD.9	SEAL BANJO BOLT DISTRIBUTOR TO CYLINDER TUBE	1
10	D10514120.9	BRACKET ASSEMBLY TUBE HOLDING SPOOL VALVE TO LIFT INLET	1
11	D86500050.9	WASHER M10 SPRING LOCK	2
12	D10035900.9	SCREW M10X1.50X20-6.6 HEX HEAD	2
12-1	D82500350.9	SCREW M10X1.50X20-6.6 HEX HEAD	2
13	D10515950.9	BRACKET SPOOL VALVE MOUNTING	1
14	D10501860.9	BRACKET ASSEMBLY PRESSURE TUBE HOLDING	1
15	D10499750.9	TUBE ASSEMBLY HYDRAULIC PRESSURE CONNECTOR TO SPOOL VALVE INLET	1
16	D10515960.9	CONNECTOR M18X1.50 AND M18X1.50 STUD END	1
17	D10498980.9	VALVE ASSEMBLY HYDRAULIC CONTROL WITH CHANGE OVER KNOB TO SINGLE ACTING (DOUBLE SPOOL)	1
18	D10514720.9	HOSE ASSEMBLY SPOOL VALVE CONTROL TO HYDRAULIC LIFT	1
19	D10514700.9	HOSE ASSEMBLY RETURN SPOOL VALVE CONTROL TO REAR HOUSING	1
20	D10514680.9	HOSE ASSEMBLY SPOOL VALVE CONTROL INLET	1
21	D10499760.9	TUBE ASSEMBLY HYDRAULIC LIFT TO SPOOL PRESSURE PIPE	1
22	D85500130.9	WASHER M8 FLAT	5
23	D86000020.9	WASHER 7/16" SPRING LOCK	2
24	D81000100.9	BOLT 7/16"-14X1.00" HEX HEAD	2
24-1	D81000470.9	BOLT 7/16"-14X1.50" HEX HEAD	2
25	D10528430.9	CONNECTOR M18X1.5 AND 3/4-16 UNF STUD END	1
26	D10288130.9	KNOB HAND THROTTLE CONTROL LEVER	1
26-1	D10215860.9	KNOB HAND THROTTLE CONTROL LEVER	1
27	D10515720.9	LEVER DIRECTION CONTROL VALVE	1
28	D10027600.9	BRACKET ASSEMBLY COUPLING ASC VALVE	1

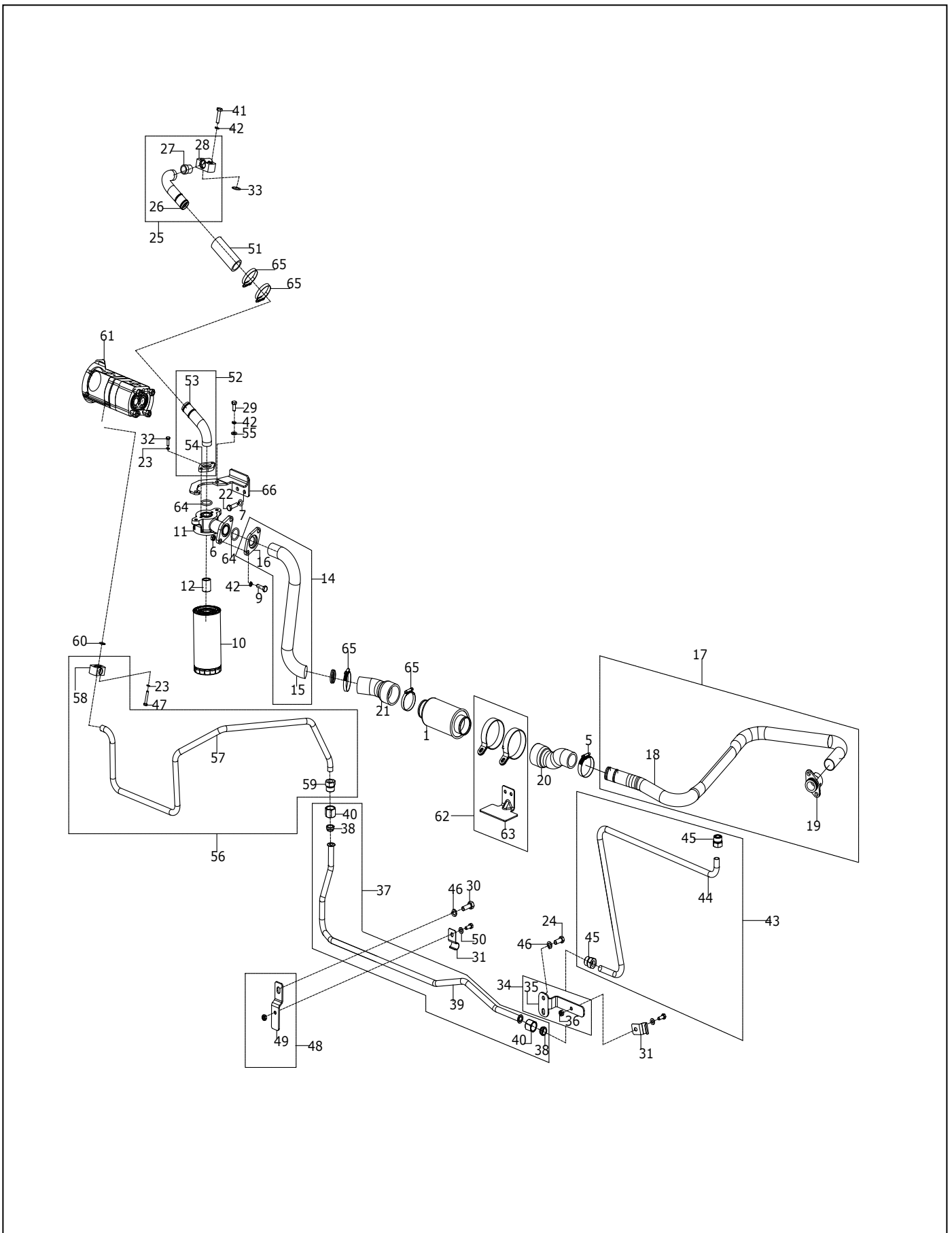
**TABLE-37A**  
**TUBING HYDRAULIC ASSEMBLY 2WD**



**TABLE-37A**  
**TUBING HYDRAULIC ASSEMBLY 2WD**

Fig. No.	Part No.	Description	Qty
1	D10528850.9	STRAINER ASSEMBLY HYDRAULIC OIL 102 LPM	1
5	D10329500.9	CLAMP HOSE WORM DRIVE 55MM	2
5-1	D10017540.9	CLAMP RADIATOR HOSE UPPER	2
6	D83500110.9	NUT M8X1.25-8 HEX	6
9	D81500310.9	SCREW M8X1.25X30-8.8 HEX HEAD	2
10	D10524050.9	FILTER ASSEMBLY HYDRAULIC LIFT OIL	1
11	D10284540.9	ADOPTER HYDRAULIC OIL FILTER	1
12	D10013890.9	CONNECTOR 1.125"-16X37	1
14	D10573140.9	TUBE ASSEMBLY HYDRAULIC SUCTION HOSE TO FILTER	1
15	D10573150.9	TUBE HYDRAULIC SUCTION HOSE TO FILTER	1
16	D10440210.9	FLANGE HYDRAULIC FILTER INLET	1
17	D10580780.9	TUBE ASSEMBLY SUCTION HOUSING TO HOSE	1
18	D10580790.9	TUBE SUCTION HOUSING TO HOSE	1
19	D10511570.9	FLANGE HYDRAULIC SUCTION TUBE	1
20	D10580800.9	HOSE HYDRAULIC STRAINER INLET	1
21	D10580810.9	HOSE HYDRAULIC STRAINER OUTLET	1
22	D81000730.9	BOLT 3/8"-16X1.25" HEX HEAD	2
23	D86500040.9	WASHER M6 SPRING LOCK	4
24	D81000100.9	BOLT 7/16"-14X1.00" HEX HEAD	2
24-1	D81000470.9	BOLT 7/16"-14X1.50" HEX HEAD	2
25	D10508560.9	TUBE ASSEMBLY HYDRAULIC SUCTION HOSE TO TANDEM PUMP	1
26	D10508570.9	TUBE HYDRAULIC SUCTION HOSE TO TANDEM PUMP	1
27	D10508580.9	SLEEVE HYDRAULIC SUCTION TUBE	1
28	D10482940.9	FLANGE HYDRAULIC PUMP INLET (22 DIA TUBE)	1
29	D81500110.9	BOLT M8X1.25X20-8.8 HEX HEAD	6
29-1	D82500040.9	SCREW M8X1.25X20-8.8 HEX HEAD	6
30	D81000090.9	BOLT 7/16"-14X1.25" HEX HEAD	1
31	D10504270.9	CLAMP TUBE HOLDING DIA 16	2
32	D82500120.9	SCREW M6X1.00X20-6.6P HEX HEAD	2
33	D93600580.9	SEAL O RING 1.78X23.52	1
34	D10501860.9	BRACKET ASSEMBLY PRESSURE TUBE HOLDING	1
35	D10501870.9	BRACKET PRESSURE TUBE HOLDING	1
36	D83500060.9	NUT M8X1.25-6 HEX	2
37	D10509790.9	TUBE ASSEMBLY HYDRAULIC PRESSURE CONNECTOR	1
38	D10510570.9	SLEEVE HYDRAULIC JOINT TUBE DIA16	2
39	D10509800.9	TUBE HYDRAULIC PRESSURE CONNECTOR	1
40	D10490080.9	NUT HYDRAULIC TUBE JOINT 1"-14UNS	2
41	D81500030.9	BOLT M8X1.25X35-6.6 HEX HEAD	2
42	D86500030.9	WASHER M8 SPRING LOCK	6
43	D10499750.9	TUBE ASSEMBLY HYDRAULIC PRESSURE CONNECTOR TO SPOOL VALVE INLET	1

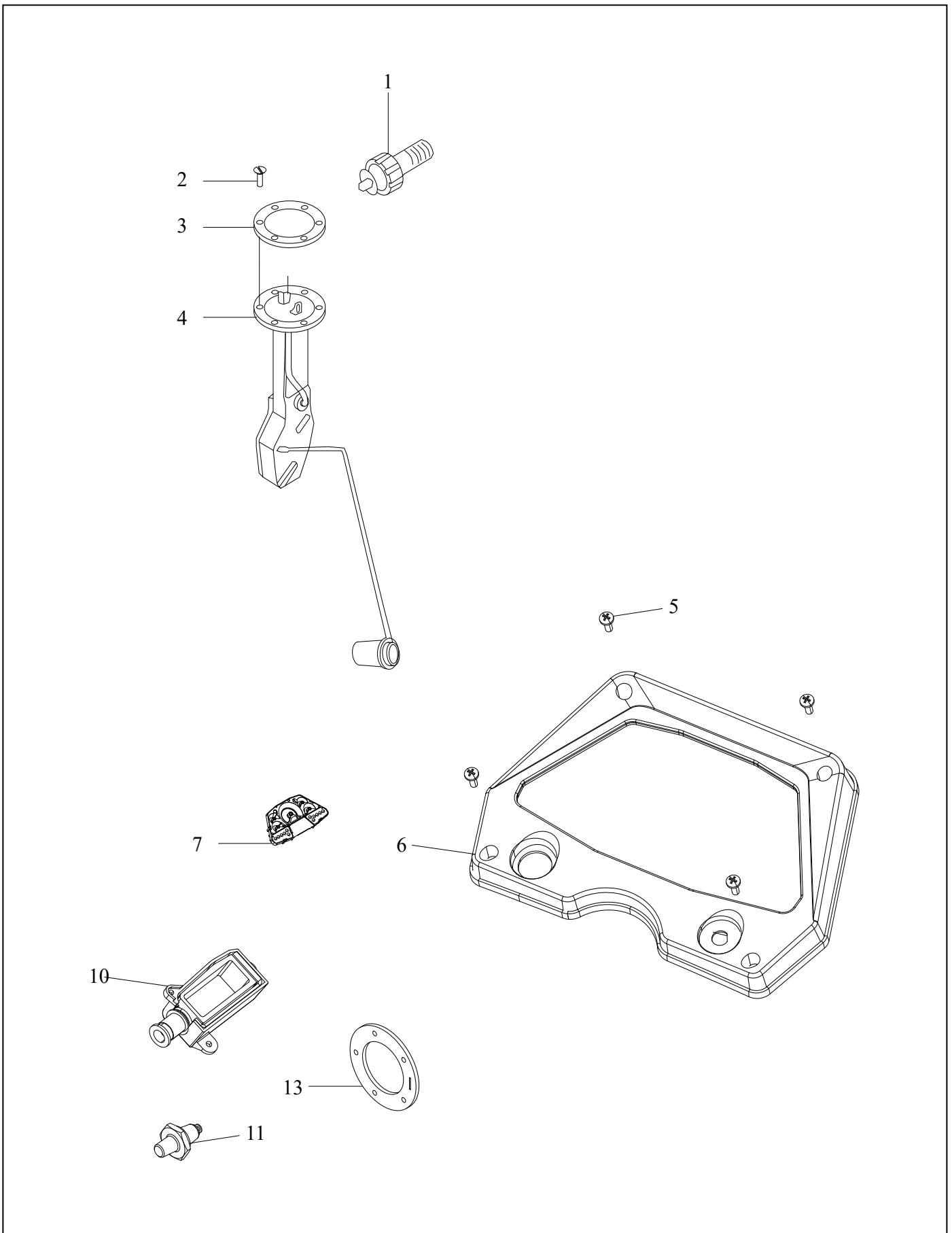
**TABLE-37A**  
**TUBING HYDRAULIC ASSEMBLY 2WD**



**TABLE-37A**  
**TUBING HYDRAULIC ASSEMBLY 2WD**

Fig. No.	Part No.	Description	Qty
44	D10502060.9	TUBE HYDRAULIC PRESSURE CONNECTOR TO SPOOL VALVE INLET	1
45	D10490100.9	CONNECTOR HYDRAULIC TUBE JOINT 1"-14 UNS	3
46	D86000020.9	WASHER 7/16" SPRING LOCK	3
47	D81500340.9	BOLT M6X1.00X35-8.0 HEX HEAD	2
48	D10504200.9	BRACKET ASSEMBLY HYDRAULIC PRESSURE TUBE HOLDING	1
49	D10504210.9	PLATE HYDRAULIC PRESSURE TUBE HOLDING	1
50	D85500050.9	WASHER M8 FLAT	3
51	D10480740.9	HOSE HYDRAULIC SUCTION FILTER TUBE TO TANDUM PUMP TUBE	1
52	D10508340.9	TUBE ASSEMBLY HYDRAULIC SUCTION FILTER TO TANDEM PUMP HOSE	1
53	D10508350.9	TUBE HYDRAULIC SUCTION FILTER TO TANDEM PUMP HOSE	1
54	D10452750.9	FLANGE TUBE FILTER TO HYDRAULIC PUMP	1
55	D85500130.9	WASHER M8 FLAT	3
56	D10508590.9	TUBE ASSEMBLY HYDRAULIC PRESSURE TANDEM PUMP TO CONNECTOR	1
56-1	D10628900.9	TUBE ASSEMBLY HYDRAULIC PRESSURE CONNECTOR TO CONNECTOR	1
57	D10508600.9	TUBE HYDRAULIC PRESSURE TANDEM PUMP TO CONNECTOR	1
58	D10491100.9	FLANGE HYDRAULIC PUMP OUTLET 16 DIA TUBE	1
59	D10490100.9	CONNECTOR HYDRAULIC TUBE JOINT 1"-14 UNS	3
60	D93600670.9	SEAL O RING 1.78X15.6	1
61	D10104182.9	PUMP ASSEMBLY HYDRAULIC LIFT OIL TANDEM (M/S REXROTH)	1
62	D10573120.9	BRACKET ASSEMBLY HYDRAULIC STRAINER MOUNTING	1
63	D10573130.9	BRACKET HYDRAULIC STRAINER MOUNTING	1
64	D93600080.9	SEAL O RING 0.139"X1.125"	2
66	D10515730.9	BRACKET ASSEMBLY HYDRAULIC FILTER MOUNTING	1

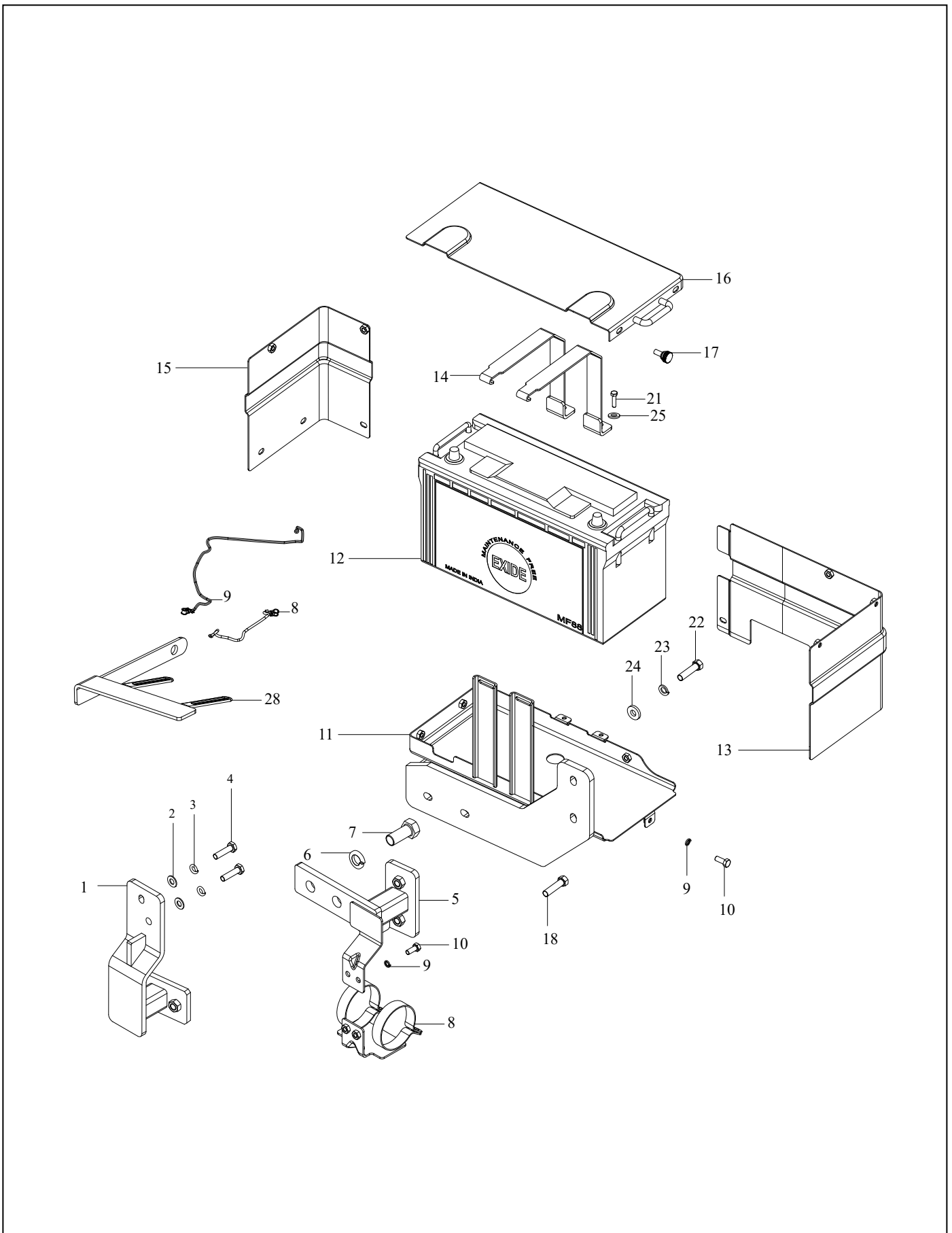
**TABLE-38**  
**INSTRUMENT CLUSTER**



**TABLE-38**  
**INSTRUMENT CLUSTER**

Fig. No.	Part No.	Description	Qty
1	D10344070.9	CLUSTER ASSEMBLY INSTRUMENT (FT6050 FACELIFT 4WD)	1
2	D10434160.9	SEALING RING INNER ASSEMBLY INSTRUMENT CLUSTER	1
3	D10434190.9	GLASS ASSEMBLY INSTRUMENT CLUSTER	1
4	D10434220.9	FACIA ASSEMBLY INSTRUMENT CLUSTER	1
5	D10434200.9	SEALING RING OUTER ASSEMBLY INSTRUMENT CLUSTER	1
6	D10434230.9	HOUSING ASSEMBLY INSTRUMENT CLUSTER	1
7	D10434210.9	COVER COMPARTMENT ASSEMBLY INSTRUMENT CLUSTER	1
8	D10434180.9	PCB ASSEMBLY INSTRUMENT CLUSTER	1
9	D10341410.9	HARNESS ASSEMBLY INSTRUMENT PANEL	1
10	D10434140.9	COVER BACK ASSEMBLY INSTRUMENT CLUSTER	1
11	D10179030.9	SWITCH ASSEMBLY OIL PRESSURE	1
12	D10026030.9	SCREW #10-32X0.625" HEX HEAD	5
13	D10021980.9	GASKET FUEL TANK SENDER	1
14	D10042440.9	FLOAT ASSEMBLY FUEL TANK (PRICOL PART NO 806650)	1
14-1	D10042440AG.9	FLOAT ASSEMBLY FUEL TANK (PRICOL PART NO 806650)	1
15	D10039900.9	SCREW 1/4"-28X1.50" PAN HEAD	4

**TABLE-39**  
**BATTERY AND BATTERY SUPPORT**

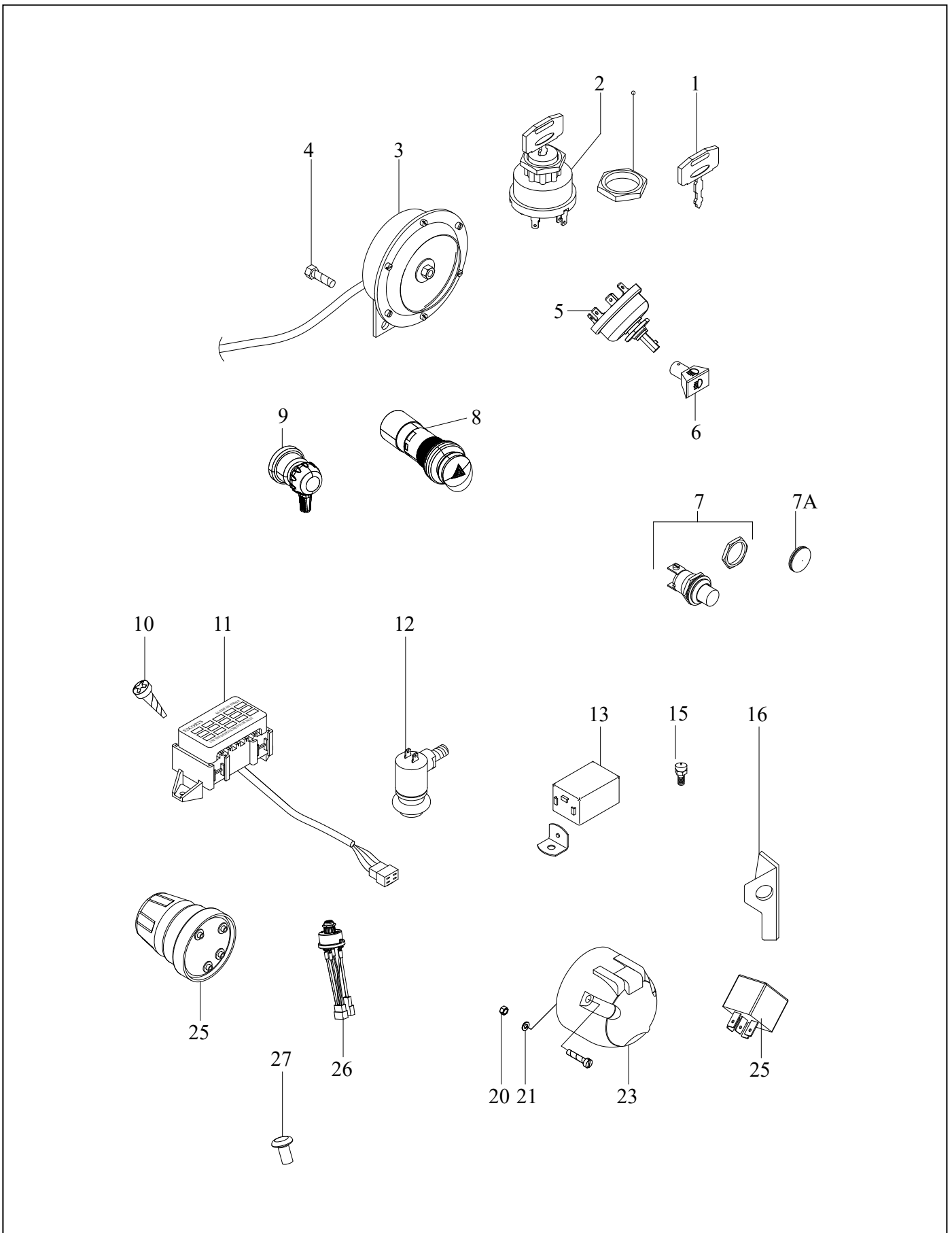




**TABLE-39**  
**BATTERY AND BATTERY SUPPORT**

Fig. No.	Part No.	Description	Qty
1	D10574610.9	BRACKET ASSEMBLY BATTERY BOX SUPPORT REAR	1
2	D85000010.9	WASHER 3/8" FLAT	2
3	D86000010.9	WASHER 3/8" SPRING LOCK	2
4	D81000190.9	BOLT 3/8"-16X1.50" HEX HEAD	2
5	D10574850.9	BRACKET ASSEMBLY BATTERY BOX SUPPORT FRONT	1
6	D86000150.9	WASHER 3/4" SPRING LOCK	2
6-1	D86500080.9	WASHER M20 SPRING LOCK	2
7	D10010450.9	BOLT 3/4"-16X1.75" HEX HEAD	2
8	D10573120.9	BRACKET ASSEMBLY HYDRAULIC STRAINER MOUNTING	2
9	D86500030.9	WASHER M8 SPRING LOCK	3
10	D81500110.9	BOLT M8X1.25X20-8.8 HEX HEAD	3
10-1	D82500040.9	SCREW M8X1.25X20-8.8 HEX HEAD	3
11	D10574660.9	BRACKET ASSEMBLY BATTERY BOX MOUNTING	1
12	D10082850.9	BATTERY ASSEMBLY MAINTENANCE FREE TYPE 12V 88AH	1
13	D10574730.9	COVER ASSEMBLY BATTERY BOX FRONT	1
14	D10578210.9	STRAP ASSEMBLY BATTERY BOX	2
15	D10574750.9	COVER ASSEMBLY BATTERY BOX REAR	1
16	D10578170.9	COVER ASSEMBLY BATTERY BOX TOP	1
17	D10480490.9	KNOB SIDE GUARD MOUNTING	9
18	D81500540.9	BOLT M12X1.75X40-9.8 HEX HEAD	2
19	D85500060.9	WASHER M12 FLAT	4
20	D86500020.9	WASHER M12 SPRING LOCK	4
21	D81500270.9	BOLT M6X1.00X25-9.8 HEX HEAD	2
21-1	D10034960.9	SCREW M6X1.00X25-6.6 HEX HEAD	2
22	D81001030.9	BOLT 7/16"-14X1.75" HEX HEAD	2
23	D86000020.9	WASHER 7/16" SPRING LOCK	2
24	D85000090.9	WASHER 7/16" FLAT	2
25	D85500040.9	WASHER M6 FLAT	2
26	D10576210.9	CABLE ASSEMBLY BATTERY TO GROUND	1
27	D10577370.9	CABLE ASSEMBLY BATTERY TO STARTER SOLENOID	1
28	D10580770.9	BRACKET BATTERY CABLE HOLDING	1

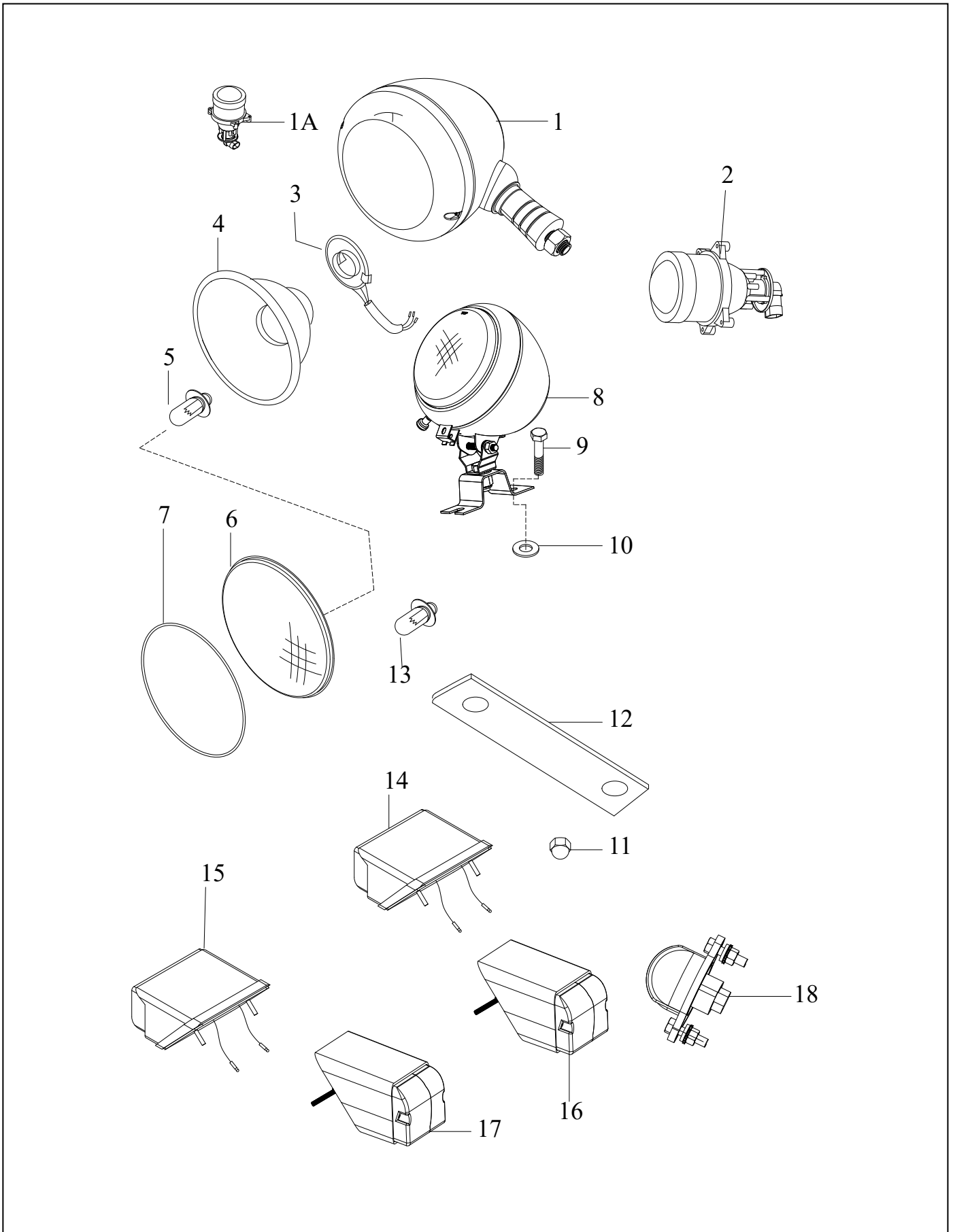
**TABLE-40**  
**ELECT.SWITCHES & CONTROL**



**TABLE-40**  
**ELECT.SWITCHES & CONTROL**

Fig. No.	Part No.	Description	Qty
1	D10206690.9	KEY IGNITION LOCK FARMTRAC	1
2	D10287550.9	SWITCH ASSEMBLY HEATER AND STARTER	1
3	D10028020.9	HORN AND BRACKET ASSEMBLY	1
4	D81500110.9	BOLT M8X1.25X20-8.8 HEX HEAD	1
4-1	D82500040.9	SCREW M8X1.25X20-8.8 HEX HEAD	1
5	D10387160.9	SWITCH ASSEMBLY LIGHTING	1
6	D10113120.9	KNOB LIGHT SWITCH	1
7	D10016460.9	SWITCH ASSEMBLY HORN BLOWING	1
8	D10291520.9	SWITCH ASSEMBLY EMERGENCY WARNING	1
9	D10291530.9	SWITCH ASSEMBLY TURN SIGNAL	AR
10	D82500050.9	SCREW M6X1.00X12-6.8 HEX HEAD	2
11	D10238940.9	FUSE BOX ASSEMBLY	1
11-1	D10080830.9	WIRE ASSEMBLY FUSE BOX	1
11A	D10243580.9	FUSE 40 AMPERE (SLOW BLOW)	1
12	D10016930.9	SWITCH ASSEMBLY STOP LAMP	1
13	D10371230.9	FLASHER ASSEMBLY INDICATOR LIGHT	1
14	D10558270.9	BRACKET ASSEMBLY TRAILER SOCKET	1
15	D10179030.9	SWITCH ASSEMBLY OIL PRESSURE	1
16	D83000130.9	NUT #10-24 HEX	4
17	D86000080.9	WASHER #10 SPRING LOCK	4
18	D82000030.9	SCREW #10-24X0.62" PAN HEAD	4
19	D10135490.9	SOCKET ASSEMBLY TRAILER ELECTRICAL	1
20	D10554340.9	BRACKET ASSEMBLY FUSE BOX MOUNTING	1
21	D10018410.9	WASHER FUSE JUNCTION CHANNEL MOUNTING	2
23	D10135520.9	HARNESS ASSEMBLY TRAILER SOCKET	1
24	D10293350.9	SWITCH ASSEMBLY LED	1
25	D10299950.9	RELAY ASSEMBLY ELECTRICAL CIRCUIT	1
26	D10317160.9	SWITCH ASSEMBLY HEATER AND STARTER	1
27	D10015940.9	KNOB FUEL SHUT OFF ROD	1
28	D10209970.9	CHARGER MOBILE	1

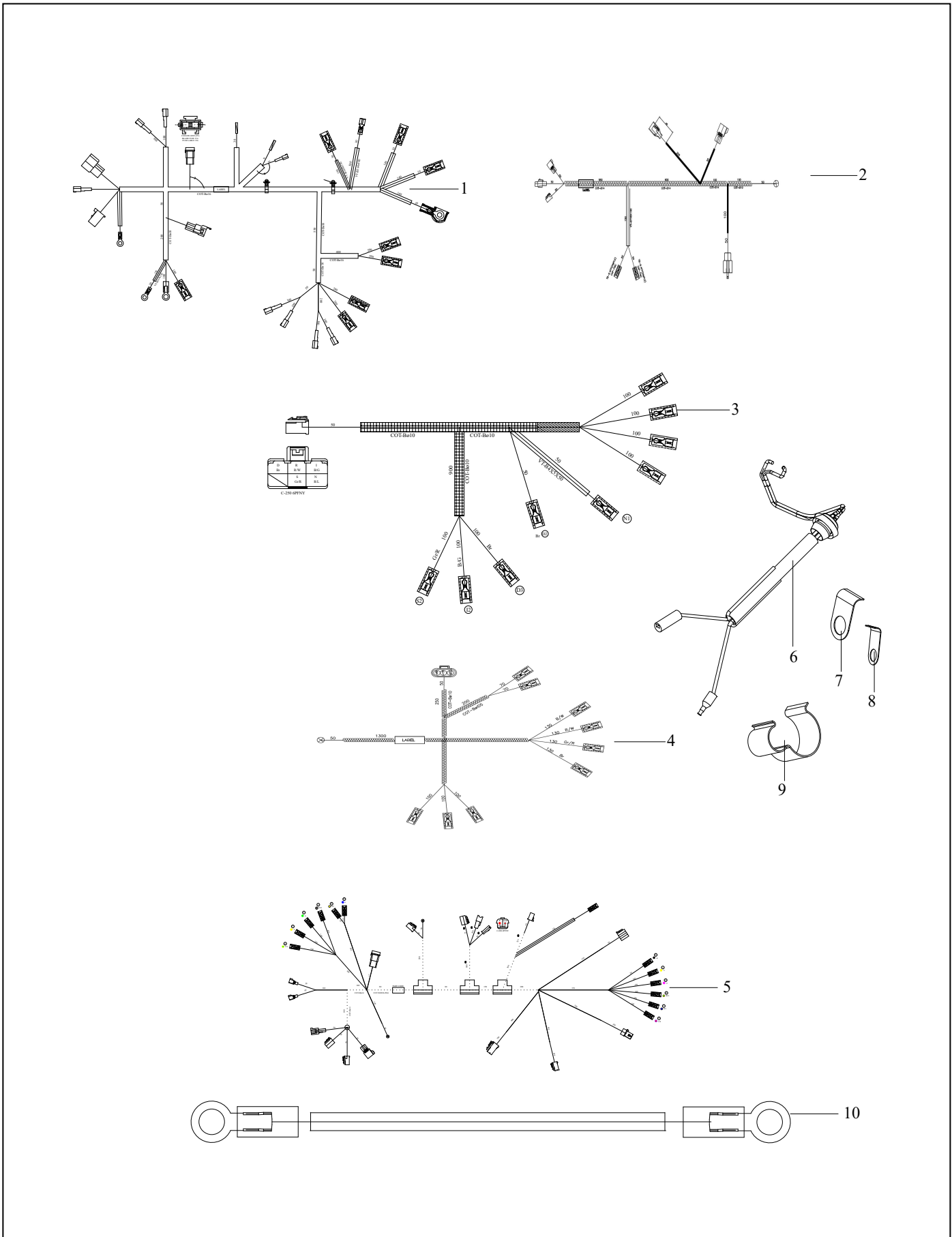
**TABLE-41**  
**HEAD LAMP AND WORK LAMP**



**TABLE-41**  
**HEAD LAMP AND WORK LAMP**

Fig. No.	Part No.	Description	Qty
1	D10338500.9	HEAD LAMP ASSEMBLY (LOW BEAM PROJECTOR)	1
2	D10338490.9	HEAD LAMP ASSEMBLY (HIGH BEAM PROJECTOR)	1
3		CONNECTOR & COUPLING ASSY TRANS. 1ST & 3RD GEAR	2
4		CONNECTOR & COUPLING ASSY TRANS. 2ND & REVERSE GEAR	2
5		COUPLING & SHAFT ASSYTRANSMISSION	2
6		LENS HEAD LAMP	2
7		GASKET	2
8	D10297220.9	LAMP ASSEMBLY PLOUGH	1
9	D10018380.9	BOLT 3/8"-24X0.87" DRIVER SEAT HINGE TO SPRING	2
10	D85000010.9	WASHER 3/8" FLAT	2
11	D10016890.9	NUT 3/8"-24 HEX	2
12	D10017520.9	PLATE PLOUGH LAMP	1
13	D10501470.9	LAMP ASSEMBLY PLOUGH	1
14	D10372580.9	LAMP ASSEMBLY PARKING LH	2
15	D10372560.9	LAMP ASSEMBLY PARKING RH	2
16	D10372590.9	LAMP ASSEMBLY FENDER REAR LH	2
17	D10372570.9	LAMP ASSEMBLY FENDER REAR RH	2
18	D10345870.9	LAMP ASSEMBLY VEHICLE REGISTRATION PLATE	1

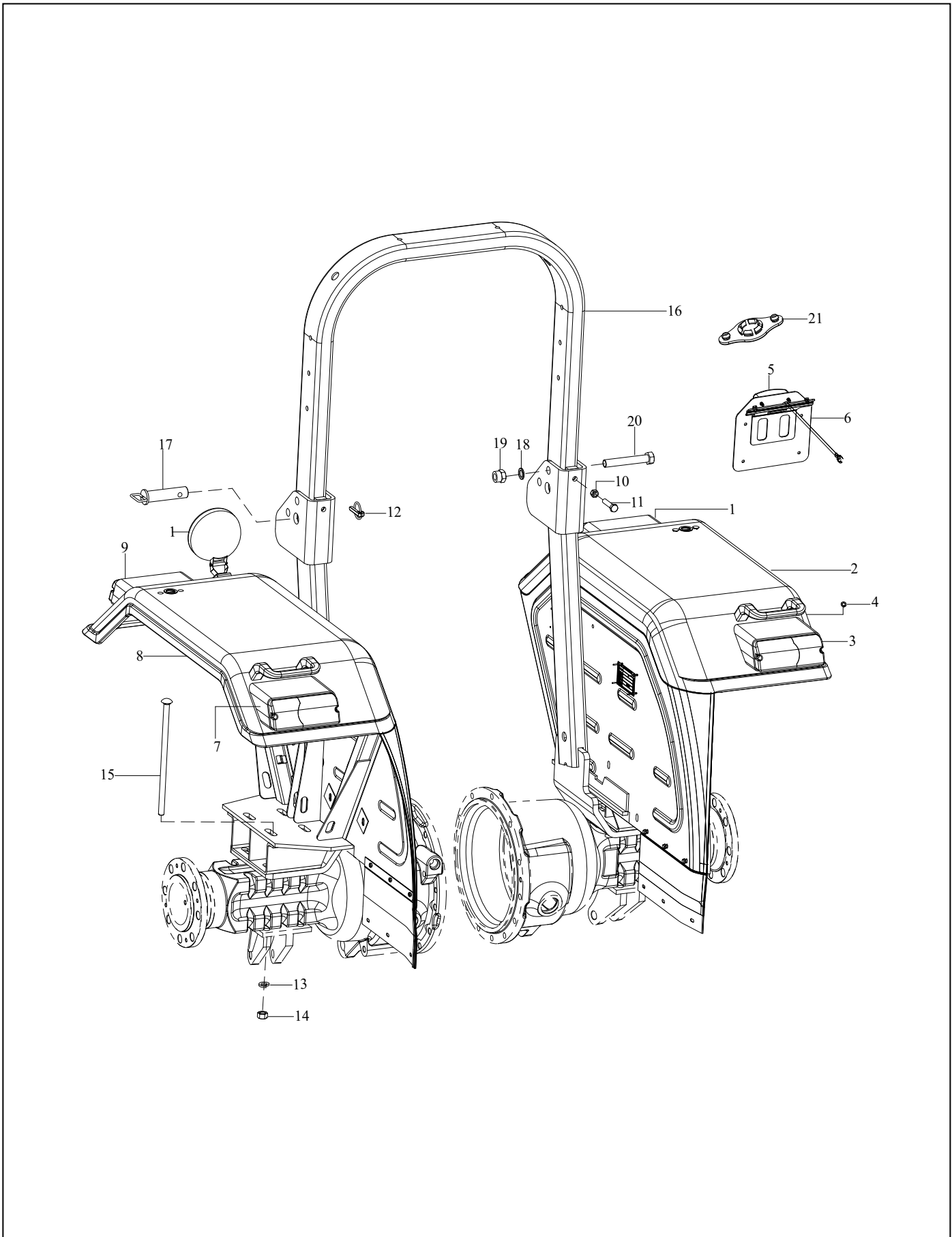
**TABLE-42**  
**WIRING HARNESS**



**TABLE-42**  
**WIRING HARNESS**

Fig. No.	Part No.	Description	Qty
1	D10383280.9	HARNESS ASSEMBLY ELECTRICAL MAIN	1
1-1	D10634000.9	HARNESS ASSEMBLY ELECTRICAL MAIN	1
2	D10484630.9	HARNESS ASSEMBLY INSTRUMENT PANEL TO RUNNING BOARD	1
2-1	D10623270.9	HARNESS ASSEMBLY INSTRUMENT PANEL TO RUNNING BOARD	1
3	D10437330.9	HARNESS ASSEMBLY REAR FENDER RH	1
4	D10483570.9	HARNESS ASSEMBLY REAR FENDER LH	1
5	D10496080.9	HARNESS ASSEMBLY INSTRUMENT PANEL	1
6	D10001920.9	HARNESS ASSEMBLY TRANSMISSION	1
7	D10004170.9	CLIP WIRING HARNESS LH	1
8	D10004160.9	CLIP WIRING HARNESS RH	1
9	D10012990.9	CLIP HARNESS	1
10	D10582240.9	WIRE ASSEMBLY GROUND	1
11	D10293330.9	CLAMP WIRING HARNESS CONDUIT	1
12	D10293340.9	CLAMP WIRING HARNESS CONDUIT	1
13	D10028490.9	HARNESS SAFETY START SWITCH TO DASH BOARD	1
14	D10018230.9	CLIP HARNESS	1
15	D10018400.9	CLIP BATTERY CABLE	1

**TABLE-43**  
**FENDERS**

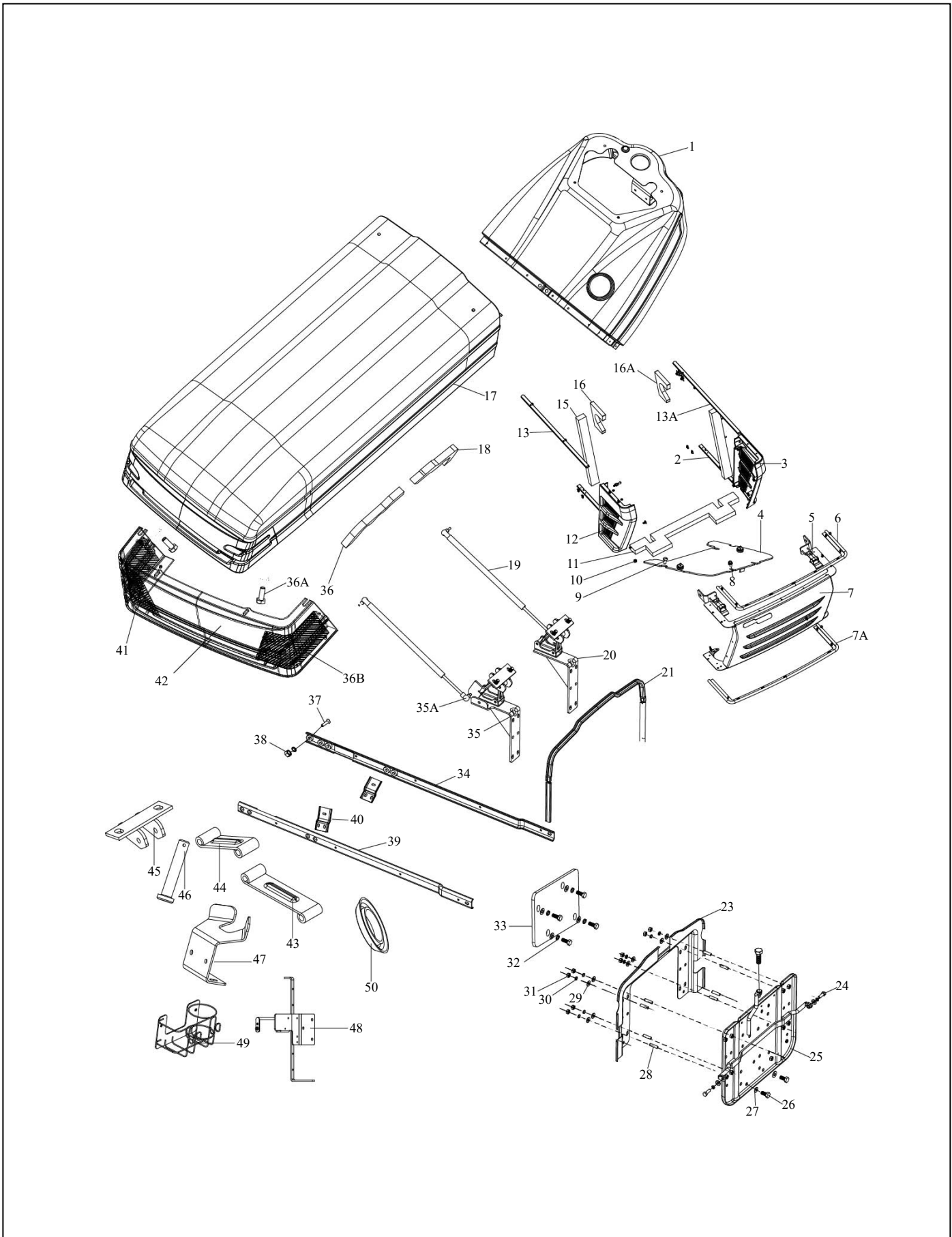




**TABLE-43**  
**FENDERS**

Fig. No.	Part No.	Description	Qty
1	D10372590.9	LAMP ASSEMBLY FENDER REAR LH	2
2	D10778620.9	FENDER ASSEMBLY REAR LH (ESCORTS GREY)	2
3	D10372580.9	LAMP ASSEMBLY PARKING LH	1
4	D86000040.9	WASHER 5/16" SPRING LOCK	8
5	D10345870.9	LAMP ASSEMBLY VEHICLE REGISTRATION PLATE	8
6	D10501110.9	BRACKET ASSEMBLY REGISTRATION PLATE MOUNTING	3
7	D10372560.9	LAMP ASSEMBLY PARKING RH	1
8	D10778630.9	FENDER ASSEMBLY REAR RH (ESCORTS GREY)	1
9	D10372570.9	LAMP ASSEMBLY FENDER REAR RH	1
10	D83500290.9	NUT M12X1.75 HEX	1
11	D81500170.9	BOLT M12X1.75X55-10.9 HEX HEAD	2
12	D10014880.9	PIN AND RING ASSEMBLY LOWER LIFT LINK LYNCH	2
13	D86000120.9	WASHER 5/8" SPRING LOCK	8
14	D83000160.9	NUT 5/8"-18 HEX	8
15	D81001730.9	BOLT 5/8"-18X13" CARRIAGE	8
16	D10434620.9	ROPS FOLDABLE	2
17	D10333900.9	PIN ROPS MOUNTING	2
18	D85500210.9	WASHER M20 FLAT	2
19	D83500670.9	NUT M20X2.50 HEX NYLOCK	2
20	D81502340.9	BOLT M20X2.5 ROPS MOUNTING	2
21	D10562370.9	PLUG PLASTIC FENDER REAR	1
22	D10047810.9	BOLT M16X2.0X165-8.8 HEX HEAD	2

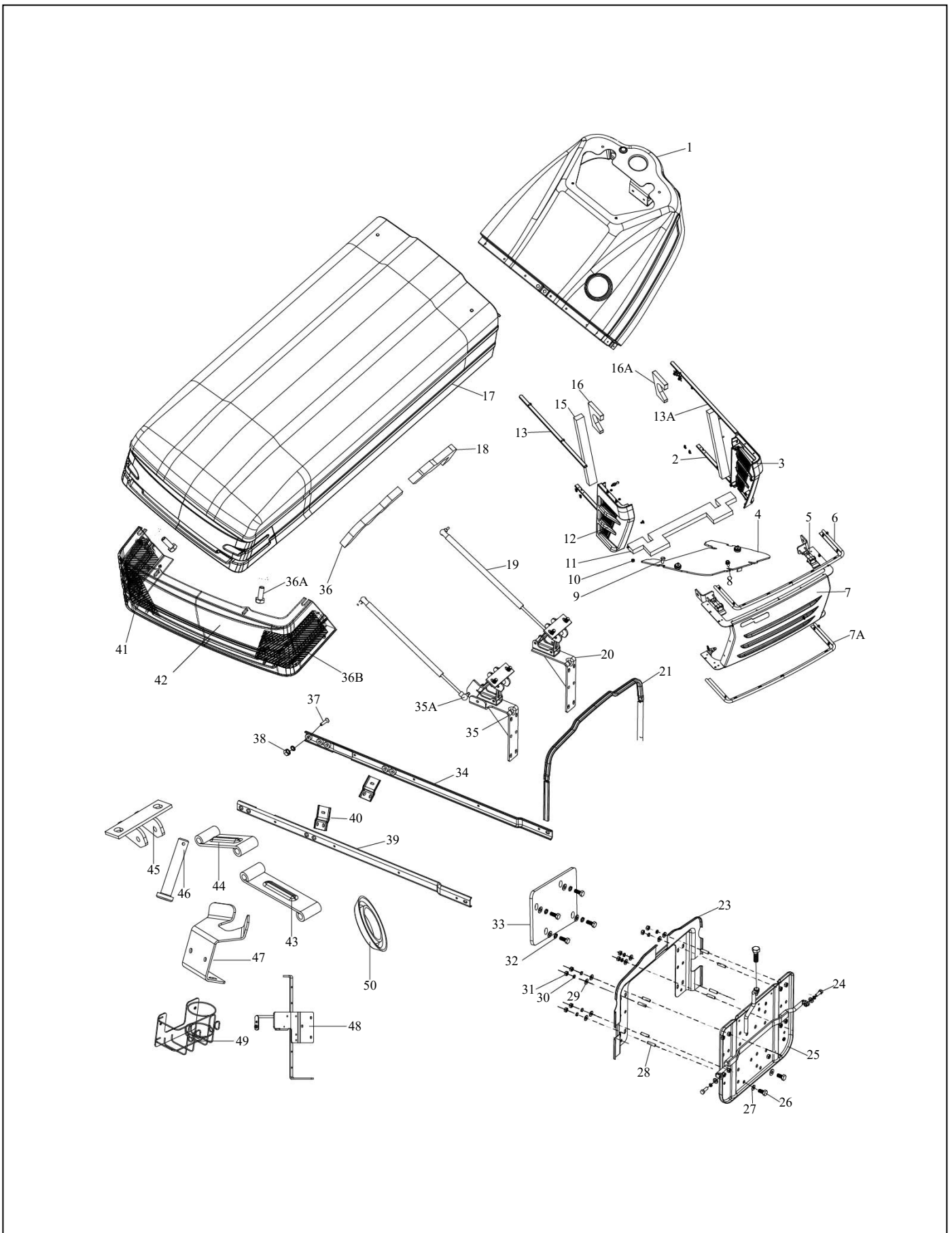
**TABLE-44**  
**SHEET METAL**



**TABLE-44**  
**SHEET METAL**

Fig. No.	Part No.	Description	Qty
1	D10804970.9	PANEL ASSEMBLY HOOD REAR (PAINT TSA DELPHINIUM BLUE)	1
1A	D10294840.9	BRACKET ASSEMBLY PANEL HOOD REAR	1
2	D10306490.9	PIN LOCK SIDE GUARD	2
2A	D10319000.9	SEALING ASSEMBLY SIDE GUARD LOWER RH (FT6050)	1
3	D10283090.9	PANEL LH	1
4	D10297810.9	BAFFLE ASSEMBLY FRONT AXLE SUPPORT	1
5	D10016980.9	LATCH ASSEMBLY HOOD	2
5A	D10017000.9	NUT M4X0.70 NYLOCK	20
5B	D85500190.9	WASHER M4.0 FLAT	20
6	D10342410.9	SEALING ASSEMBLY FRONT GRILL UPPER	1
7	D10340330.9	GRILL ASSEMBLY FRONT	1
7-1	D10891780.9	GRILL ASSEMBLY FRONT	1
7A	D10342420.9	SEALING ASSEMBLY FRONT GRILL LOWER	1
7B	D10340410.9	BEZEL HEAD LAMP LOW BEAM	2
7C	D10340420.9	BEZEL HEAD LAMP HIGH BEAM	2
7D	D10340430.9	BEZEL LH FRONT GRILL	1
7D-1	D10528810.9	BEZEL ASSEMBLY FRONT GRILL LH	1
7E	D10340440.9	BEZEL RH FRONT GRILL	1
7E-1	D10528830.9	BEZEL ASSEMBLY FRONT GRILL RH	1
8	D82500230.9	SCREW M8X1.25X20-8.8 HEX HEAD FLANGED	2
9	D10035370.9	SCREW M8X1.25X20 COUNTERSUNK HEAD	2
10	D10018100.9	NUT M5X0.80 NYLOCK	2
11	D10308400.9	FOAM SEALING BAFFLE PLATE	1
13	D10319020.9	SEALING ASSEMBLY SIDE GUARD LOWER LH (FT6050)	1
13A	D10342430.9	SEALING ASSEMBLY SIDE GUARD UPPER	1
13B	D10308680.9	SEALING ASSEMBLY SIDE GUARD LOWER	1
14	D10311740.9	STRIP LOCK SIDE GUARD	2
15	D10377130.9	FOAM SEALING HEAD LAMP	4
15A	D10342140.9	GUARD ASSEMBLY SIDE LH	1
15B	D10341710.9	GUARD ASSEMBLY SIDE RH	1
16	D10310250.9	FOAM SEALING HEAD LAMP RH	1
16A	D10310260.9	FOAM SEALING HEAD LAMP LH	1
17	D10804580.9	PANEL ASSEMBLY HOOD TOP FRONT (PAINT TSA DELPHINIUM BLUE)	1
18	D10321420.9	FOAM SEALING FRAME UPPER RH	1
19	D10194500.9	STRUT BONNET OPENING	2
20	D10316680.9	HINGE ASSEMBLY WITH LEVER AND BRACKET PANEL HOOD TOP FRONT RH	1
21	D10308690.9	SEALING ASSEMBLY REAR HOOD	1
22	D10101750.9	BOLT M10X1.50X25-8.8 HEX HEAD	4
22-1	D81500280.9	BOLT M10X1.50X25-9.8 HEX HEAD	4
22-2	D82500150.9	SCREW M10X1.50X25-8.8 HEX HEAD	4

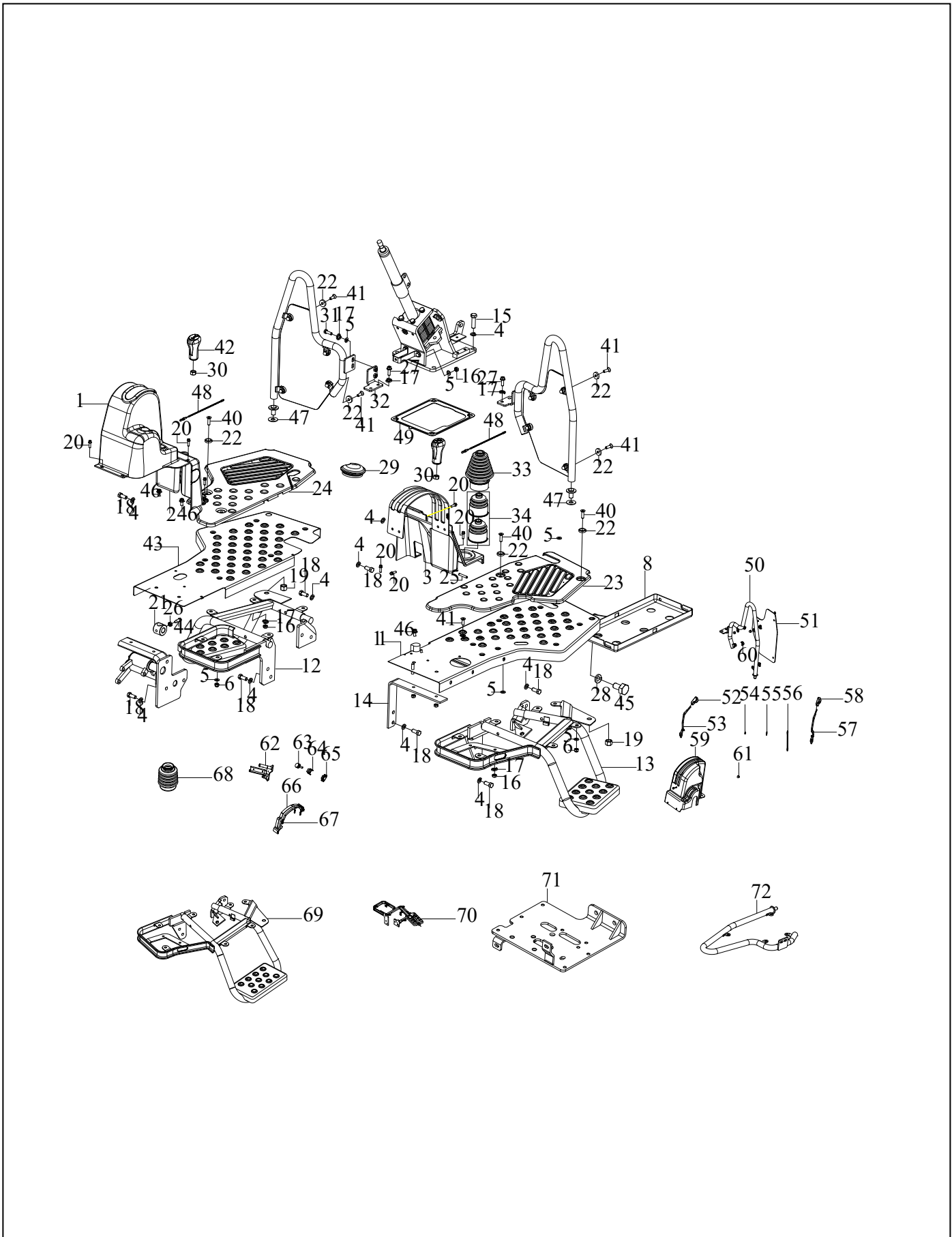
**TABLE-44**  
**SHEET METAL**



**TABLE-44**  
**SHEET METAL**

Fig. No.	Part No.	Description	Qty
23	D10281430.9	BAFFLE ASSEMBLY HOT AIR	1
23-1	D10959600AA.9	BAFFLE PLATE HOT AIR	1
23-2	D10959600AB.9	BAFFLE PLATE HOT AIR	1
24	D81500590.9	BOLT M8X1.25X25-6.6 HEX HEAD	5
24-1	D81500270.9	BOLT M6X1.00X25-9.8 HEX HEAD	5
24-2	D10034960.9	SCREW M6X1.00X25-6.6 HEX HEAD	5
25	D10223190.9	SUPPORT AND BRACKET ASSEMBLY HOOD REAR	1
26	D81500200.9	BOLT M10X1.50X20-6.6 HEX HEAD	6
27	D85500140.9	WASHER M10 FLAT	10
28	D10022010.9	STUD B M8X1.25X35-8.8P	8
28-1	D84500170.9	STUD B M8X1.25X42-8.8	8
28-2	D84500420.9	STUD B M8X25-8.8	8
29	D10034590.9	WASHER M8 FLAT	12
30	D86500030.9	WASHER M8 SPRING LOCK	13
31	D83500280.9	NUT M8X1.25 HEX	8
31-1	D83500060.9	NUT M8X1.25-6 HEX	8
32	D86500050.9	WASHER M10 SPRING LOCK	10
33	D10298460.9	PLATE ASSEMBLY HOOD REAR	1
34	D10344880.9	SUPPORT ASSEMBLY RADIATOR LH	1
35	D10316670.9	HINGE ASSEMBLY WITH LEVER AND BRACKET PANEL HOOD TOP FRONT LH	1
35A	D10311250.9	END ASSEMBLY GAS STRUT	4
36	D10321410.9	FOAM SEALING FRAME UPPER LH	1
36A	D81500270.9	BOLT M6X1.00X25-9.8 HEX HEAD	4
36A-1	D10034960.9	SCREW M6X1.00X25-6.6 HEX HEAD	4
36B	D10307020.9	PANEL HOOD FRONT LH	1
37	D82500880.9	SCREW M8X1.25X55-6.8 COUNTERSUNK HEAD ZINC PLATED	1
38	D83500160.9	NUT M8X1.25 NYLOCK HEX	1
39	D10344890.9	SUPPORT ASSEMBLY RADIATOR RH	1
40	D10315530.9	BRACKET SIDE GUARD MOUNTING	2
41	D10307030.9	PANEL HOOD FRONT RH	1
42	D10283490.9	HOOD ASSEMBLY FRONT (PLASTIC)	1
43	D10235980.9	LEVER BIG HINGE ASSEMBLY PANEL HOOD TOP FRONT	1
44	D10235990.9	LEVER SMALL HINGE ASSEMBLY PANEL HOOD TOP FRONT	1
45	D10236000.9	BRACKET ASSEMBLY HINGE AND PANEL HOOD LEVER SUPPORT	1
46	D10235550.9	PIN PIVOT HINGE PANEL HOOD	1
47	D10294840.9	BRACKET ASSEMBLY PANEL HOOD REAR	1
48	D10293300.9	SUPPORT ASSEMBLY CROSS	1
49	D10208010.9	BRACKET ASSEMBLY WATER BOTTLE AND LUNCH BOX HOLDER	1
50	D10080880.9	GROMMET FUEL TANK FILTER FLANGE	1

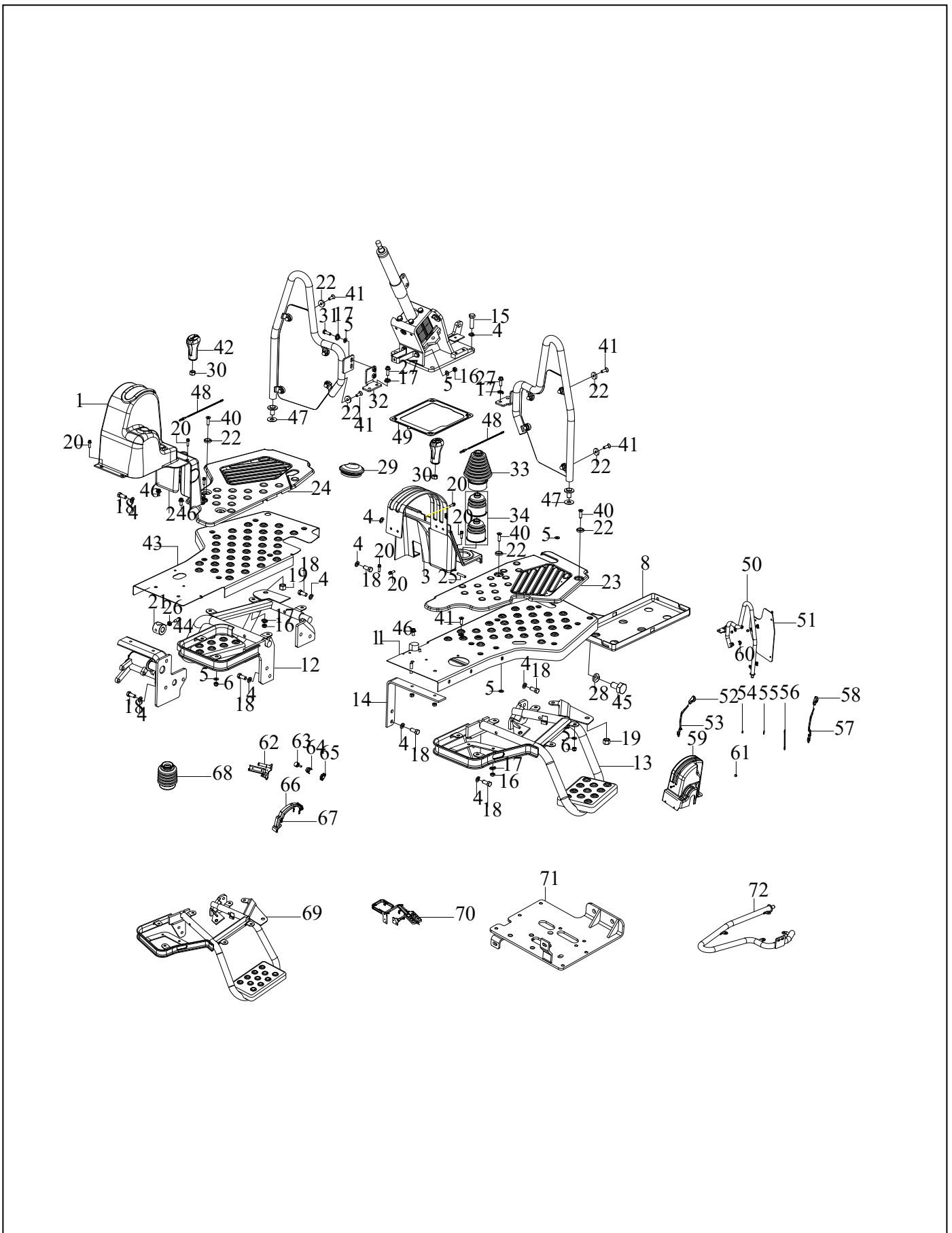
**TABLE-45**  
**RUNNING BOARD**



**TABLE-45**  
**RUNNING BOARD**

Fig. No.	Part No.	Description	Qty
1	D10254970.9	CONSOLE REAR IPTO LEVER	1
2	D10254940.9	CONSOLE REAR HIGH LOW GEAR LEVER	1
3	D10254950.9	CONSOLE REAR MAIN GEAR LEVER	1
4	D86000020.9	WASHER 7/16" SPRING LOCK	7
5	D85500130.9	WASHER M8 FLAT	1
6	D83500160.9	NUT M8X1.25 NYLOCK HEX	7
8	D10258430.9	TRAY BATTERY AND BRACKET SUPPORT ASSEMBLY	1
8-1	D10574660.9	BRACKET ASSEMBLY BATTERY BOX MOUNTING	1
11	D10361830.9	BOARD ASSEMBLY RUNNING RH	1
12	D10255250.9	STEP ASSEMBLY RUNNING BOARD LH	1
13	D10255340.9	FRAME ASSEMBLY RUNNING BOARD RH	1
13-1	D10574830.9	FOOT STEP ASSEMBLY RUNNING BOARD RH	1
14	D10279850.9	BRACKET ASSEMBLY RUNNING BOARD REAR RH	1
15	D81000350.9	BOLT 1/2"-13X1.75" HEX HEAD	1
16	D83500110.9	NUT M8X1.25-8 HEX	2
17	D86500150.9	WASHER M8 SPRING LOCK	2
18	D81000100.9	BOLT 7/16"-14X1.00" HEX HEAD	1
18-1	D81000470.9	BOLT 7/16"-14X1.50" HEX HEAD	1
19	D83500100.9	NUT M14X1.50-6 HEX	1
20	D10011090.9	BOLT M6X1.00X20-6.6 HEX FLANGED (LUBE OIL PUMP)	4
21	D10255030.9	LEVER ASSEMBLY TRANSMISSION HIGH LOW GEAR SHIFT (SIDE SHIFTING GEAR)	1
22	D10279860.9	PAD NYLON HEAT SHIELD MOUNTING	4
23	D10280220.9	FOOT MAT RUNNING BOARD RH	1
24	D10280210.9	FOOT MAT RUNNING BOARD LH	1
25	D87000160.9	PIN 1/4"X1.50" SPRING DOWEL COMBINATION TYPE	1
26	D83000010.9	NUT 3/8"-24 HEX	8
27	D82500200.9	SCREW M8X1.25X25-6.6 HEX HEAD FLANGED	4
28	D86000150.9	WASHER 3/4" SPRING LOCK	4
28-1	D86500080.9	WASHER M20 SPRING LOCK	4
29	D10292760.9	CAP TRANMISSION OIL FILLING	1
30	D83500290.9	NUT M12X1.75 HEX	2
31	D82500080.9	SCREW M8X1.25X25-8.8 HEX HEAD	2
32	D10318390.9	BRACKET HEAT SHIELD SUPPORT	1
33	D10280230.9	BOOT TRANSMISSION LEVER COVER	1
34	D10305850.9	BOOT HOUSING MOUNTING MAIN GEAR SHIFT LEVER	1
40	D82500870.9	SCREW M8X1.25X30-6.8 COUNTERSUNK HEAD ZINC PLATED	4
41	D82500760.9	SCREW M8X1.25X25-12.9 COUNTERSUNK HEAD	4
42	D10292780.9	KNOB TRANSMISSION SELECTOR LEVER	1
43	D10575580.9	BOARD RUNNING ASSEMBLY LH	1
44	D10000550.9	SCREW TRANSMISSION CONNECTOR LOCK	8

**TABLE-45**  
**RUNNING BOARD**

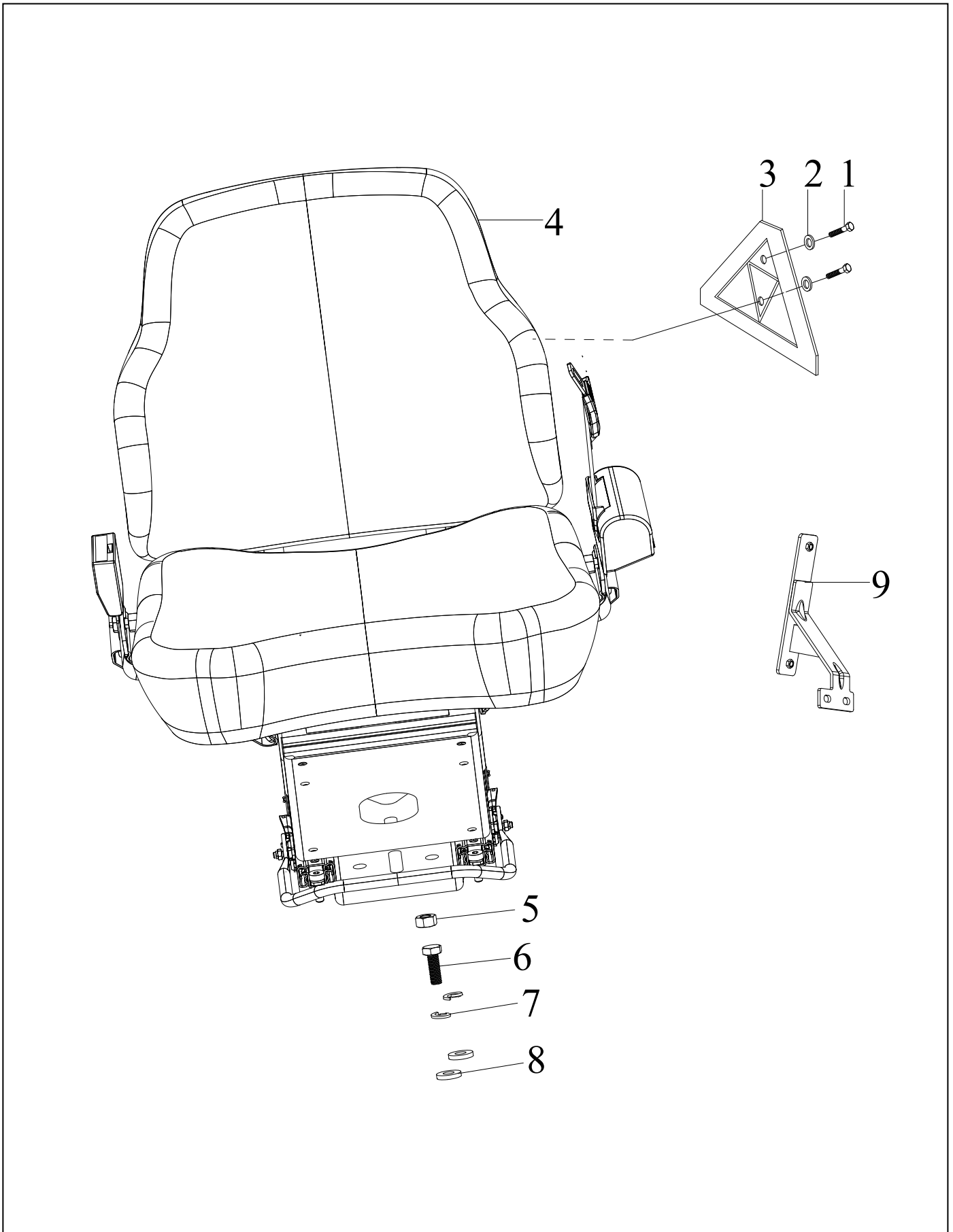




**TABLE-45**  
**RUNNING BOARD**

Fig. No.	Part No.	Description	Qty
45	D10256260.9	BOLT 3/4"-10X1.25" HEX HEAD	2
46	D81501580.9	BOLT M8X1.25X16 HEX HEAD FLANGED	2
47	D10323100.9	WASHER 15X35 NYLON	2
48	D10028500.9	STRAP WIRING 250 MM IC MAKE	6
49	D10207670.9	GASKET STEERING GEAR MOUNTING	1
50	D10255280.9	FRAME ASSEMBLY SHIELD HEAT PROTECTION RH	1
51	D10255150.9	SHIELD HEAT PROTECTION LH (FIBER GLASS)	1
52	D10288150.9	KNOB HYDRAULIC LIFT DRAFT CONTROL	1
53	D10255130.9	HANDLE ASSEMBLY HYDRAULIC LIFT DRAFT CONTROL	1
54	D10292750.9	BUSH HYDRAULIC CONTROL LINK	4
55	D10310890.9	WASHER THRUST HYDRAULIC LEVER	2
56	D10258830.9	LINK HYDRAULIC LIFT LEVER	2
57	D10258760.9	HANDLE ASSEMBLY HYDRAULIC LIFT POSITION CONTROL	1
58	D10288140.9	KNOB POSITION CONTROL	1
59	D10343190.9	CONSOLE REAR HYDRAULIC LEVER	1
60	D10279880.9	PAD RUBBER HEAT SHIELD MOUNTING	4
61	D10292720.9	NUT CAP M8X1.25X6	4
62	D10258160.9	BRACKET ASSEMBLY RUNNING BOARD REAR LH	1
63	D10215920.9	KNOB HYDRAULIC REMOTE CONTROL VALVE HANDLE (BLACK)	1
64	D10343070.9	STOPPER HYDRAULIC LEVER LOWER	2
65	D10343080.9	STOPPER HYDRAULIC LEVER UPPER	2
66	D10343060.9	BRACKET HYDRAULIC LEVER GUIDE	1
67	D10147720.9	SCREW 1/4"-28X1.0" PAN HEAD	4
67-1	D10039900.9	SCREW 1/4"-28X1.50" PAN HEAD	4
68	D10432430.9	BOOT TRANSMISSION MAIN GEAR LEVER COVER	1
69	D10574830.9	FOOT STEP ASSEMBLY RUNNING BOARD RH	1
70	D10574790.9	FOOT STEP ASSEMBLY RUNNING BOARD LH	1
71	D10507120.9	BRACKET ASSEMBLY IPTO MOUNTING	1
72	D10255170.9	FRAME ASSEMBLY SHIELD HEAT PROTECTION LH	1
73	D10279580.9	SWITCH ASSEMBLY STOP LAMP NC TYPE	2
74	D10254990.9	LEVER ASSEMBLY TRANSMISSION MAIN GEAR SHIFT (SIDE SHIFTING GEAR)	1
75	D10302770.9	SUPPORT ASSEMBLY RADIATOR LH	1
76	D10286490.9	BOOT TRANSMISSION HIGH LOW LEVER	1
77	D10255160.9	SHIELD HEAT PROTECTION RH (FIBER GLASS)	1

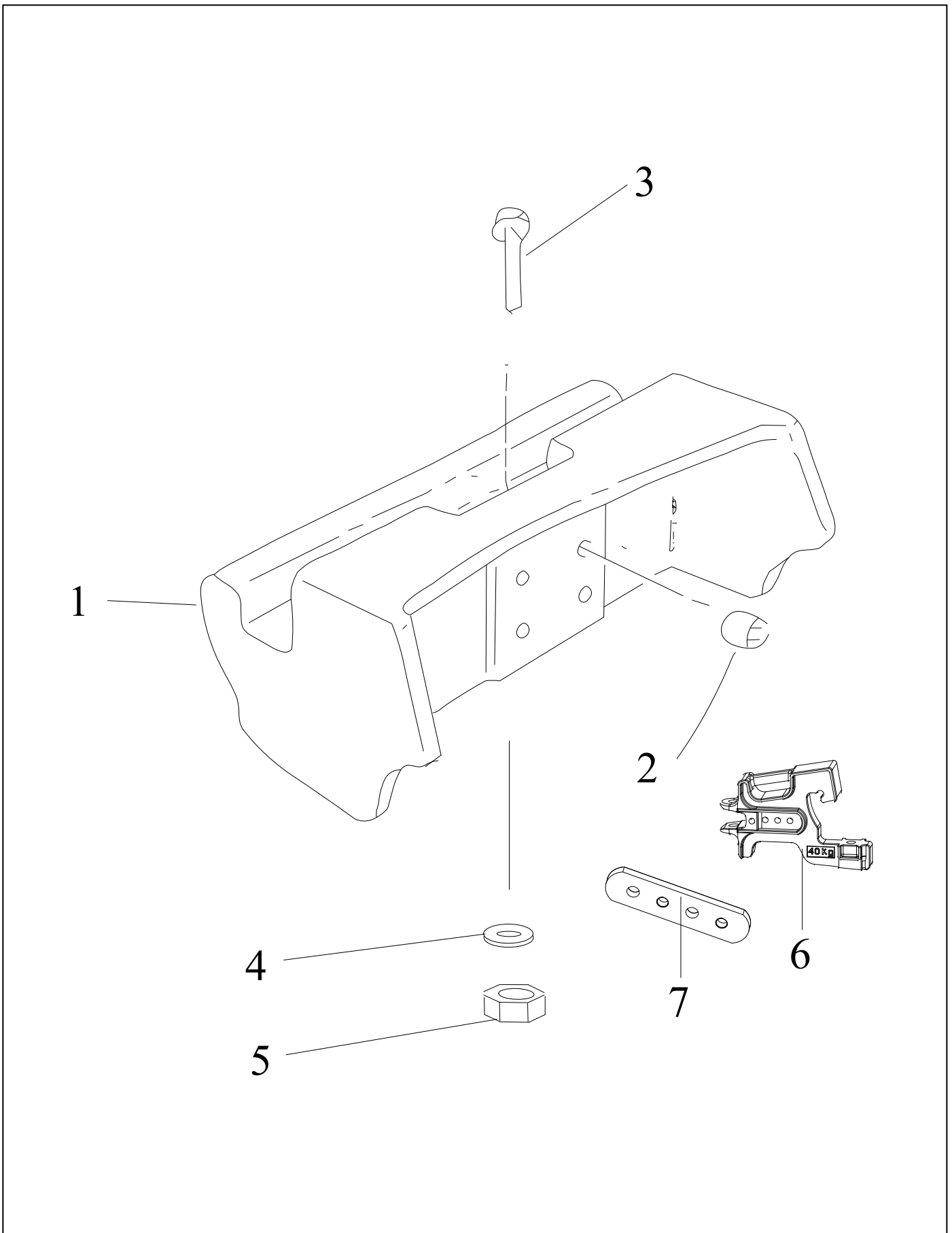
**TABLE-46**  
**DRIVER SHEET**



**TABLE-46**  
**DRIVER SHEET**

<b>Fig. No.</b>	<b>Part No.</b>	<b>Description</b>	<b>Qty</b>
1	D82500040.9	SCREW M8X1.25X20-8.8 HEX HEAD	2
2	D85500130.9	WASHER M8 FLAT	2
3	D10511460.9	EMBLEM SLOW MOVING VEHICLE	1
4	D10479730.9	SEAT ASSEMBLY DRIVER WITH SEAT BELT	1
5	D83000180.9	NUT 7/16"-20 HEX	1
6	D81000090.9	BOLT 7/16"-14X1.25" HEX HEAD	1
7	D86000020.9	WASHER 7/16" SPRING LOCK	2
8	D85000090.9	WASHER 7/16" FLAT	2
9	D10521910.9	BRACKET ASSEMBLY EMBLEM MOUNTING	1

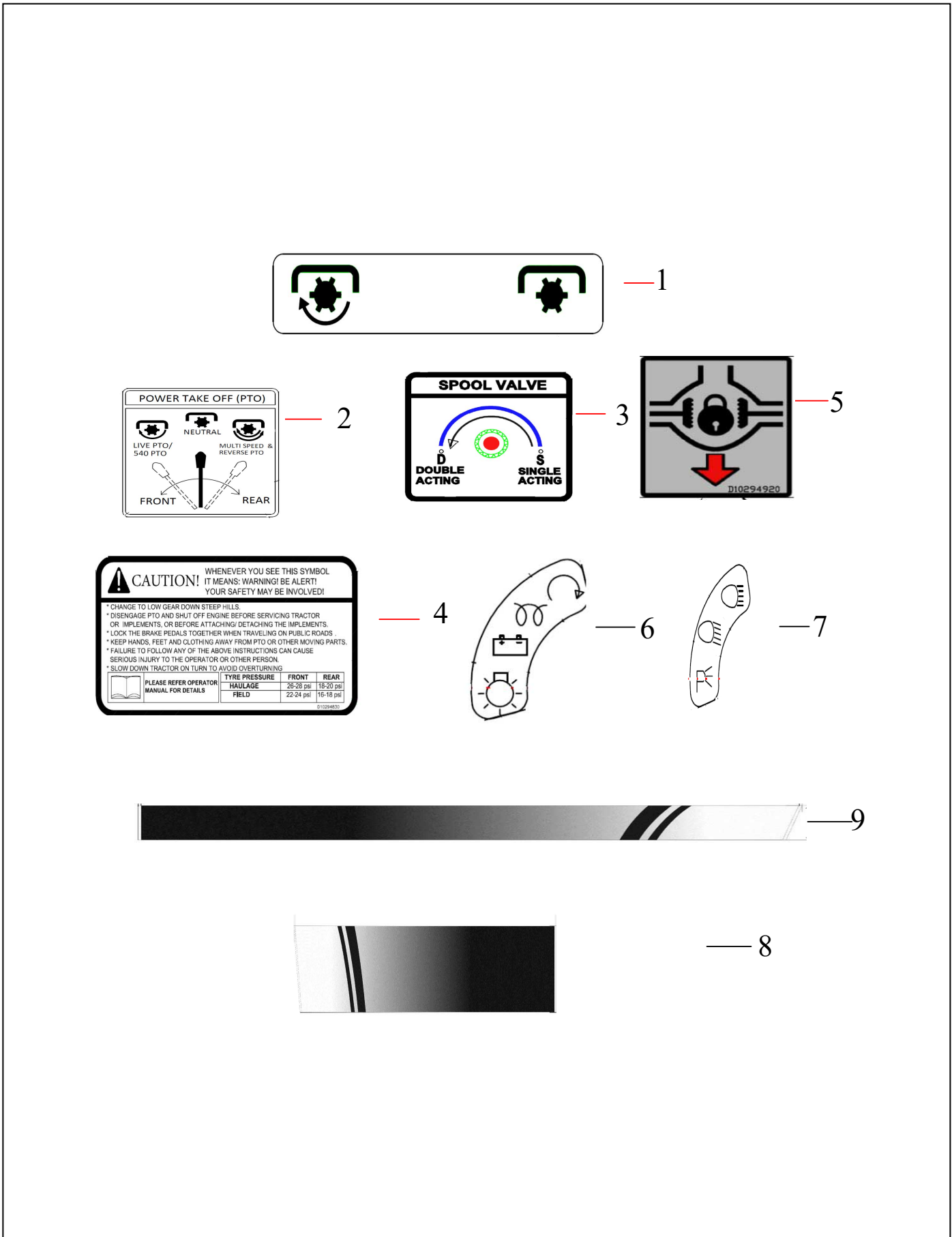
**TABLE-47**  
**FRONT WHEEL WEIGHT**



**TABLE-47**  
**FRONT WHEEL WEIGHT**

<b>Fig. No.</b>	<b>Part No.</b>	<b>Description</b>	<b>Qty</b>
1	D10324240.9	WEIGHT FRONT END	1
2	D10042830.9	SPACER BATTERY TRAY	4
3	D81501570.9	BOLT M20X2.5X170 HEX HEAD	4
4	D86500080.9	WASHER M20 SPRING LOCK	1
5	D83500670.9	NUT M20X2.50 HEX NYLOCK	1
6	D10193130.9	WEIGHT TOWING HOOK FRONT	1
7	D10042800.9	PLATE FRONT END WEIGHT	2

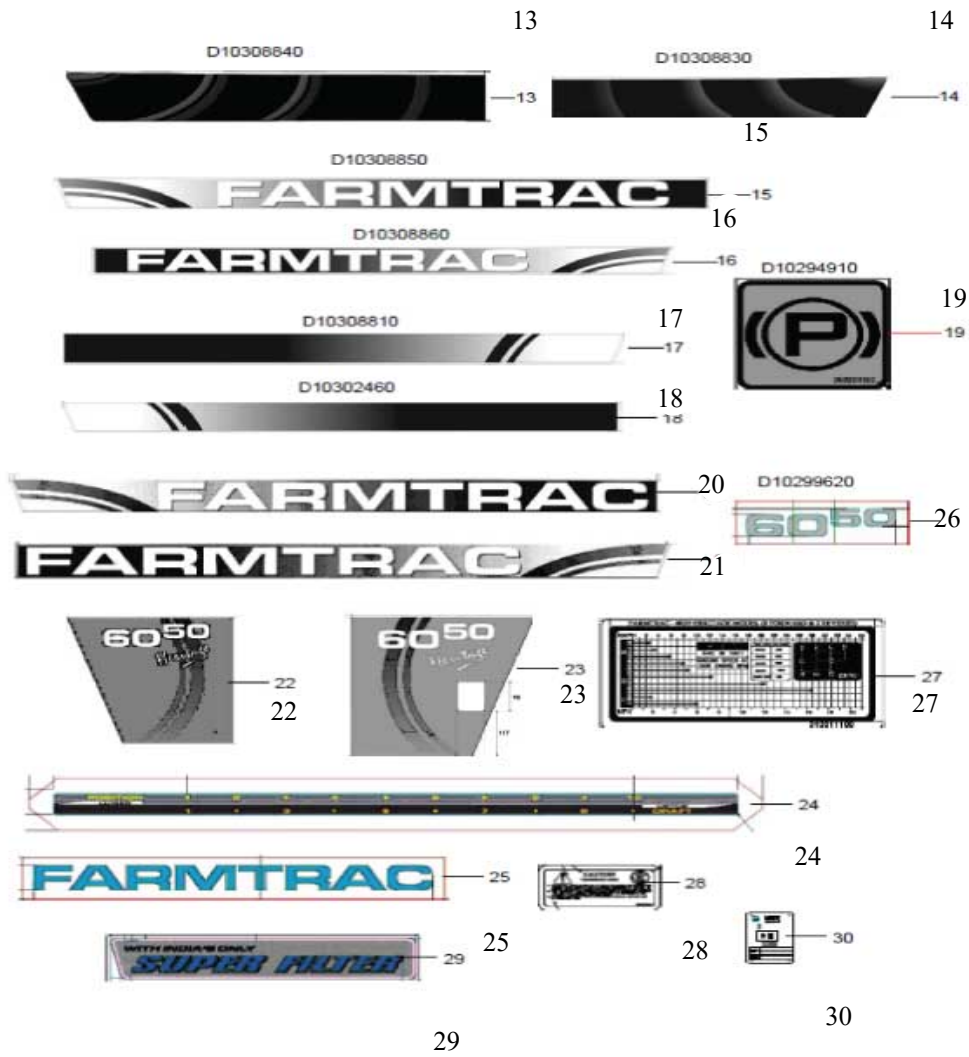
**TABLE-48**  
**DECAL**



**TABLE-48****DECAL**

<b>Fig. No.</b>	<b>Part No.</b>	<b>Description</b>	<b>Qty</b>
1	D10294790.9	DECAL PTO CONTROL	1
2	D10294800.9	DECAL MULTISPEED POWER TAKE OFF	1
3	D10294820.9	DECAL SPOOL VALVE	1
4	D10294830.9	DECAL TRACTOR SAFETY INSTRUCTIONS	1
5	D10294920.9	DECAL DIFFERENTIAL LOCK	1
6	D10301420.9	DECAL IGNITION KEY POSITION	1
7	D10301430.9	DECAL SWITCH ELECTRICAL POSITION	1
8	D10301160.9	DECAL CENTRE PANEL LH (FT6050)	1
9	D10301170.9	DECAL CENTRE PANEL RH (FT6050)	1

**TABLE-48A**  
**DECAL 2**

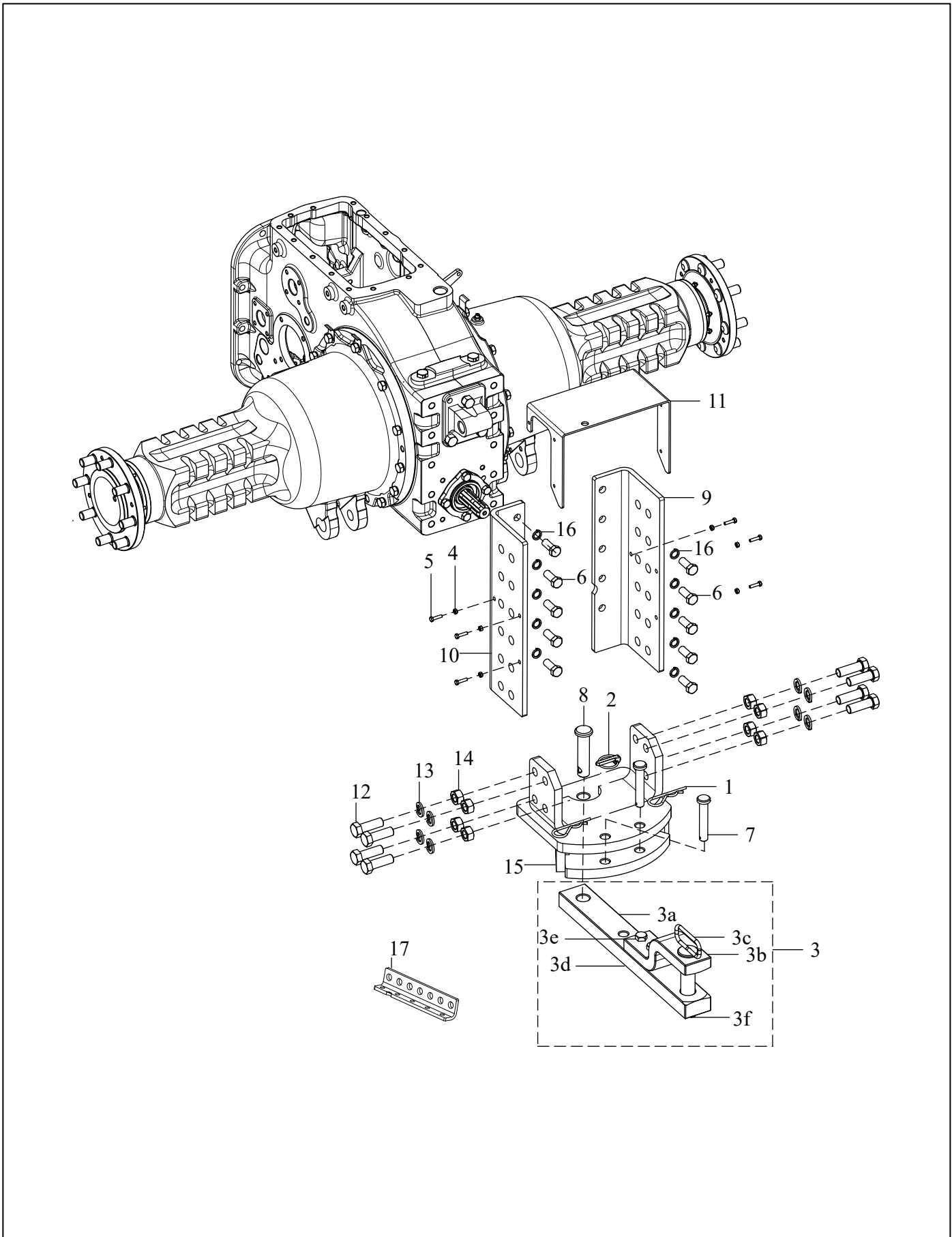




**TABLE-48A****DECAL 2**

<b>Fig. No.</b>	<b>Part No.</b>	<b>Description</b>	<b>Qty</b>
13	D10308840.9	DECAL REAR HOOD WAVESLH	1
14	D10308830.9	DECAL REAR HOOD WAVES RH	1
15	D10308850.9	DECAL MODEL IDENTIFICATION BONNET LH	1
16	D10308860.9	DECAL MODEL IDENTIFICATION BONNET RH	1
17	D10308810.9	DECAL BONNET DOWN RH	1
18	D10302460.9	DECAL BONNET CENTER DOWN LH	1
19	D10294910.9	DECAL PARKING	1
20	D10302540.9	DECAL FARMTRAC BONNET CENTER LH	1
21	D10302550.9	DECAL FARMTRAC BONNET CENTER RH	1
22	D10347440.9	DECAL 6050 HERITAGE SIDE GUARD LH	1
23	D10347450.9	DECAL 6050 HERITAGE SIDE GUARD RH	1
24	D10401490.9	DECAL HYDRAULIC PUMP AND LIFT QUADRANT	1
25	D10303010.9	BADGE FRONT FARMTRAC (BLUE)	1
26	D10299620.9	BADGE FRONT (FT 6050)	1
27	D10511100.9	DECAL TRANSMISSION SHIFT PATTERN FT6050 (14.9X28)	1
28	D10185450.9	DECAL WARNING TRANSPORT LOCK	1
29	D10346590.9	DECAL SUPER FILTER	1
30	D10457140.9	DECAL ROPS E-MARKED	1

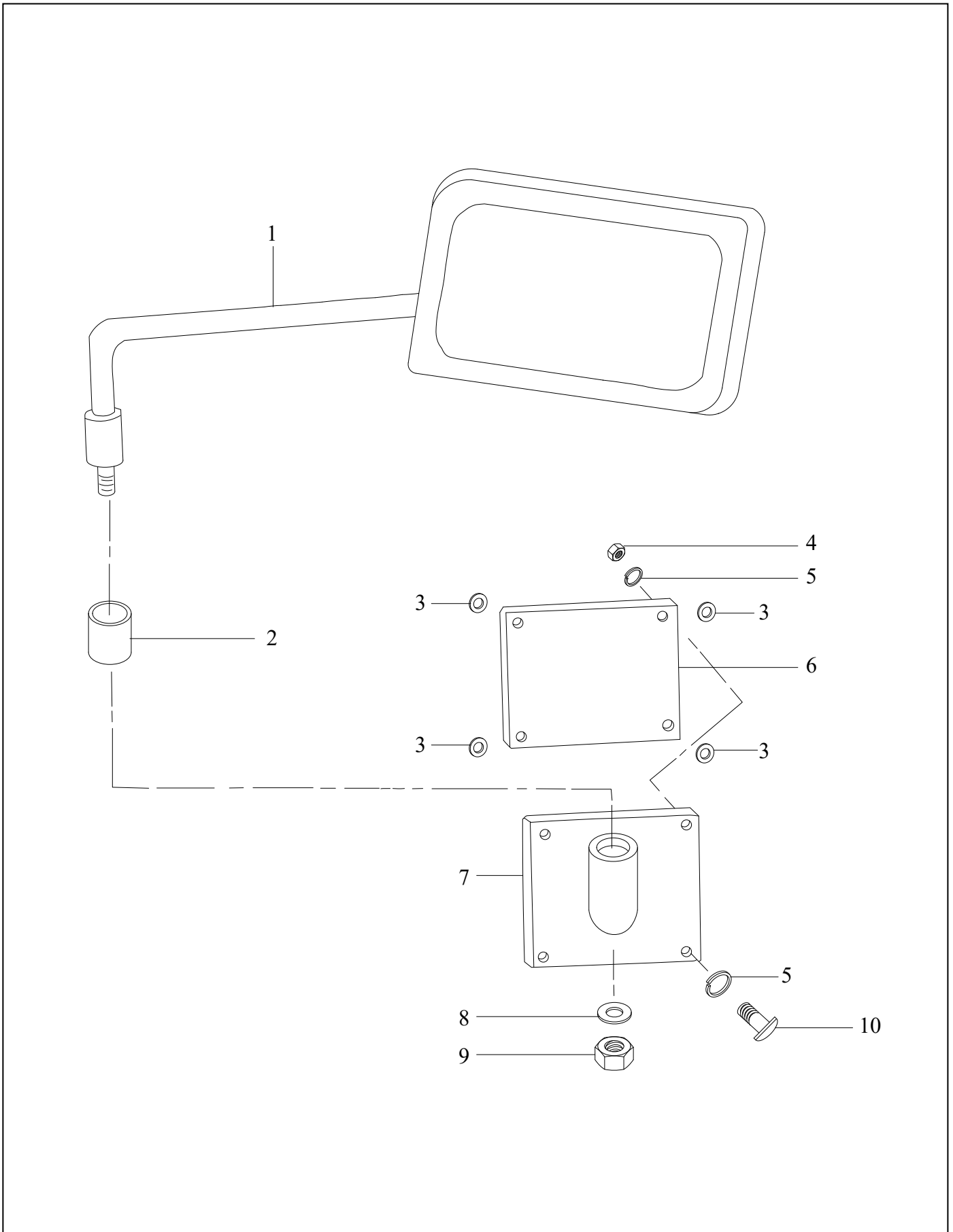
**TABLE-49**  
**HITCH REAR SUBASSEMBLY**



**TABLE-49**  
**HITCH REAR SUBASSEMBLY**

Fig. No.	Part No.	Description	Qty
1	D87500390.9	PIN 5X105 SPRING R TYPE (IS:6483)	2
2	D10014880.9	PIN AND RING ASSEMBLY LOWER LIFT LINK LYNCH	1
2-1	D10081260.9	PIN AND RING ASSEMBLY	1
3	D10498150.9	SWINGING DRAWBAR ASSEMBLY	1
3a	D10498950.9	BAR LOWER SWINGING DRAWBAR	1
3b	D10498960.9	BAR UPPER SWINGING DRAWBAR	1
3c	D10498970.9	PIN HITCH SWINGING DRAWBAR	1
3d	D83500720.9	NUT M16X2.00-6 HEX (WHITE PASSIVATED)	2
3e	D10046850.9	BOLT M16X2.0X95-8.8 HEX HEAD	2
3e-1	D81503280.9	BOLT M16X2.00X110-10.9 HEX HEAD	2
3f	D10081260.9	PIN AND RING ASSEMBLY	1
4	D83500220.9	NUT M6X1.00-5 HEX	6
5	D81500270.9	BOLT M6X1.00X25-9.8 HEX HEAD	6
5-1	D10034960.9	SCREW M6X1.00X25-6.6 HEX HEAD	6
6	D81500070.9	BOLT M16X2.00X40-8.8 HEX HEAD	10
7	D10500720.9	PIN SWINGING DRAWBAR MOUNTING FRONT	2
8	D10513310.9	PIN SWINGING DRAWBAR MOUNTING REAR	1
9	D10510500.9	PLATE TOW HOOK MOUNTING RH (L TYPE)	1
10	D10510490.9	PLATE TOW HOOK MOUNTING LH (L TYPE)	1
11	D10510480.9	GUARD PTO REAR	1
12	D81503140.9	BOLT M20X2.5X60-12.9 HEX HEAD	8
12-1	D81503410.9	BOLT M20X2.5X65-12.9 HEX HEAD	8
13	D86500080.9	WASHER M20 SPRING LOCK	8
14	D83500640.9	NUT M20X2.5 LOCK	8
14-1	D83500670.9	NUT M20X2.50 HEX NYLOCK	8
15	D10510510.9	BRACKET ASSEMBLY SWINGING DRAWBAR	1
16	D86500060.9	WASHER M16 SPRING LOCK	10
17	D10510490.9	PLATE TOW HOOK MOUNTING LH (L TYPE)	1
18	D10510500.9	PLATE TOW HOOK MOUNTING RH (L TYPE)	1

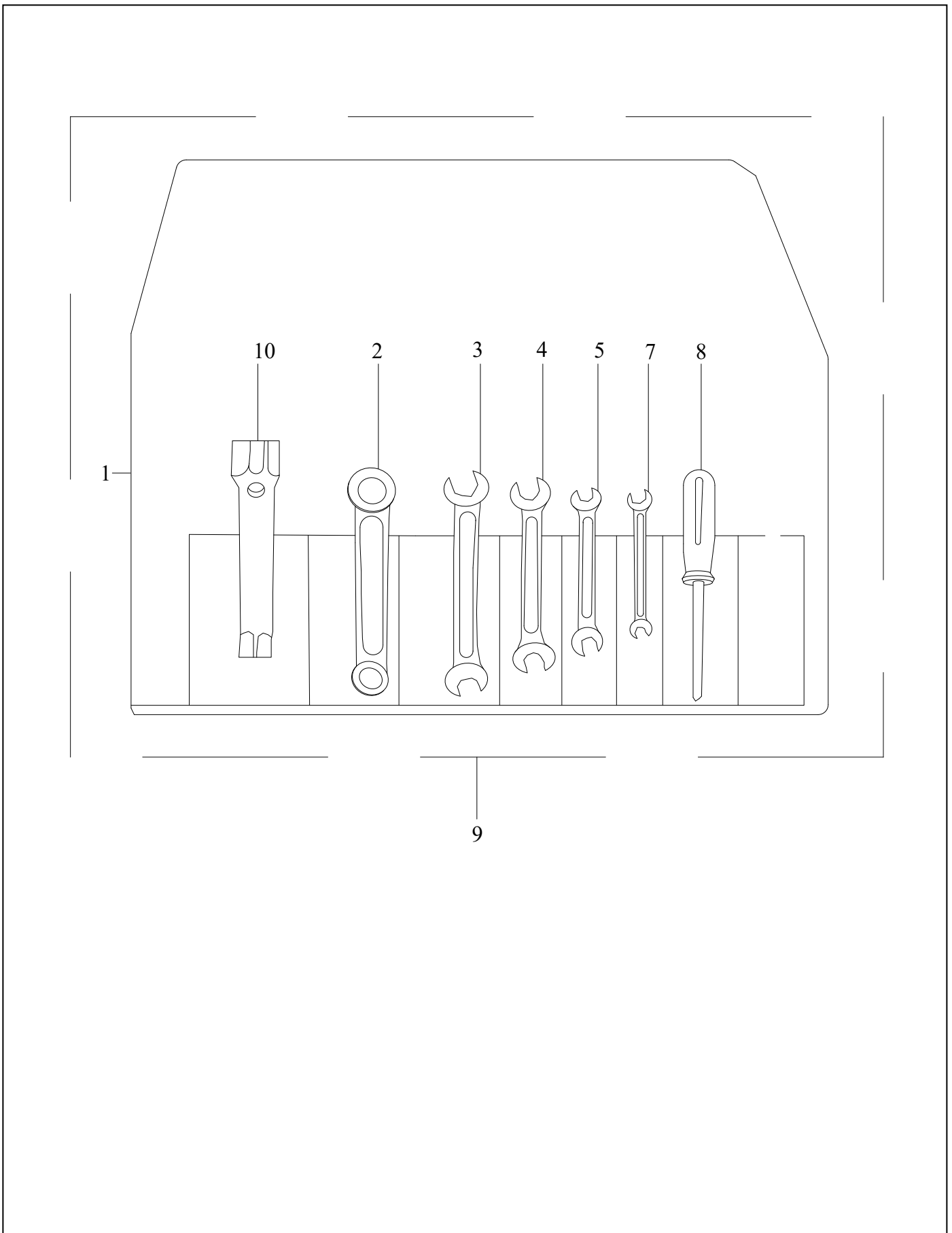
**TABLE-50**  
**REAR VIEW MIRROR**



**TABLE-50**  
**REAR VIEW MIRROR**

Fig. No.	Part No.	Description	Qty
1	D10397280.9	MIRROR AND ROD ASSEMBLY REAR VIEW LH (E MARKED)	1
1A	D10397290.9	MIRROR AND ROD ASSEMBLY REAR VIEW RH (E MARKED)	1
1A-1	D10151990.9	MIRROR AND ROD ASSEMBLY REAR VIEW	1
2	D10016680.9	BUSH REAR VIEW MIRROR	1
3	D10016490.9	GROMMET HOOD SUPPORT	4
4	D83500190.9	NUT M5X0.80 NYLOCK HEX	4
4-1	D10018100.9	NUT M5X0.80 NYLOCK	4
5	D85500090.9	WASHER M5 FLAT	4
6	D10016660.9	PLATE REAR VIEW MIRROR	1
7	D10016690.9	BRACKET ASSEMBLY REAR VIEW MIRROR	1
8	D85500110.9	WASHER M6 FLAT	1
9	D83500350.9	NUT M6X1.00 NYLOCK HEX	1
10	D10016630.9	SCREW M5X0.80X25 CROSS RECESSED PAN HEAD	4
10-1	D10216680.9	SCREW M5X0.80X20 CROSS RECESSED PAN HEAD	4

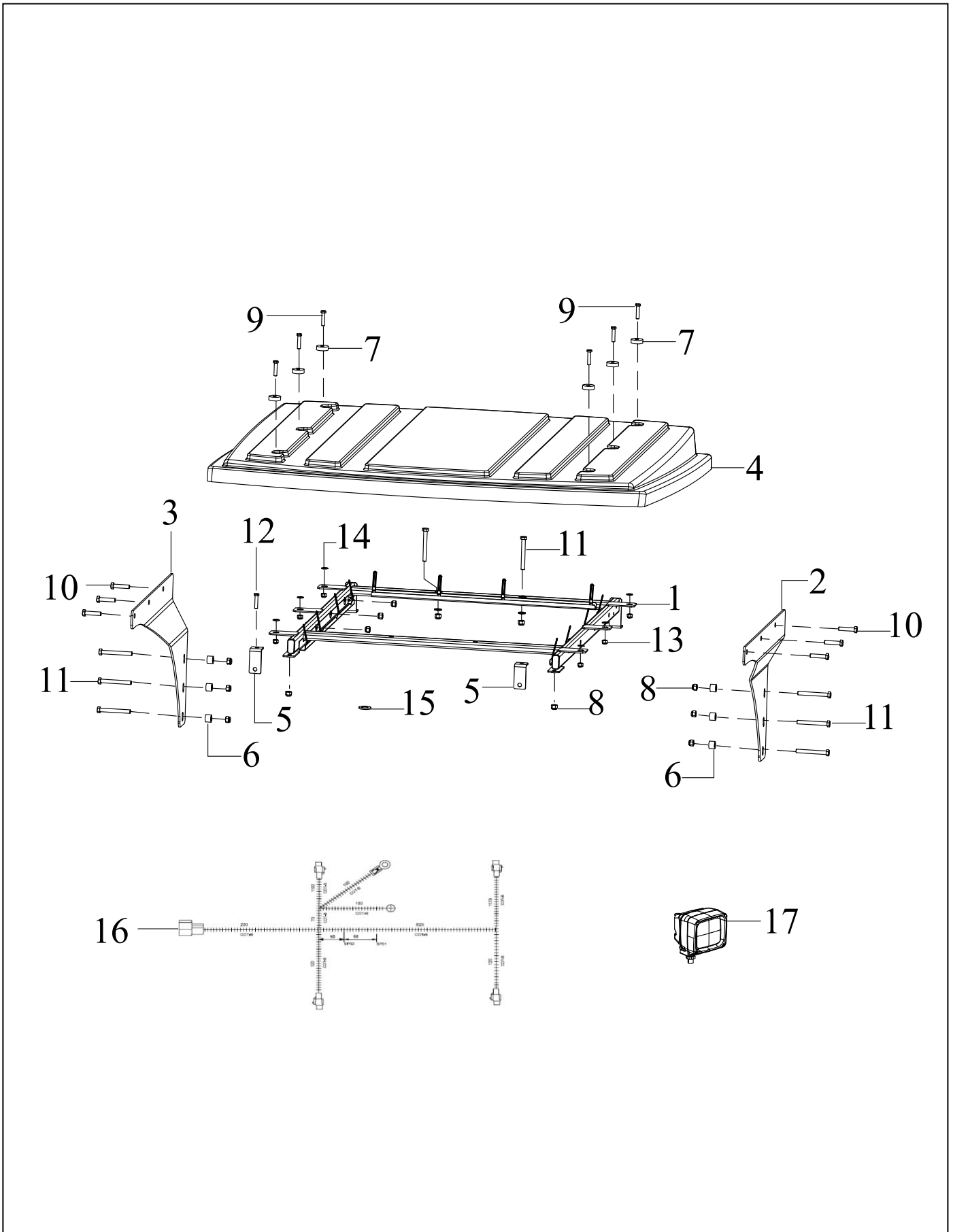
**TABLE-51**  
**TOOL KIT**



**TABLE-51**  
**TOOL KIT**

Fig. No.	Part No.	Description	Qty
1	D10370900.9	TOOL KIT	1
1-1	D10671040.9	TOOL KIT	1
1-2	D10671040AB.9	TOOL KIT	1
2	D10018280.9	SPANNER D/E 3/8"X5/16"	1
3	D10018290.9	SPANNER D/E 1/2"X7/16"	1
4	D10018300.9	SPANNER D/E 5/8"X9/16"	1
5	D10018310.9	SPANNER D/E 3/4"X11/16"	1
7	D10370910.9	SPANNER RING 19X24	1
8	D10018320.9	SCREW DRIVER	1
9	D10374900.9	BAG TOOL KIT	1
10	D10370940.9	SPANNER WHEEL 21X30	1

**TABLE-51**  
**CANOPY ASSEMBLY**

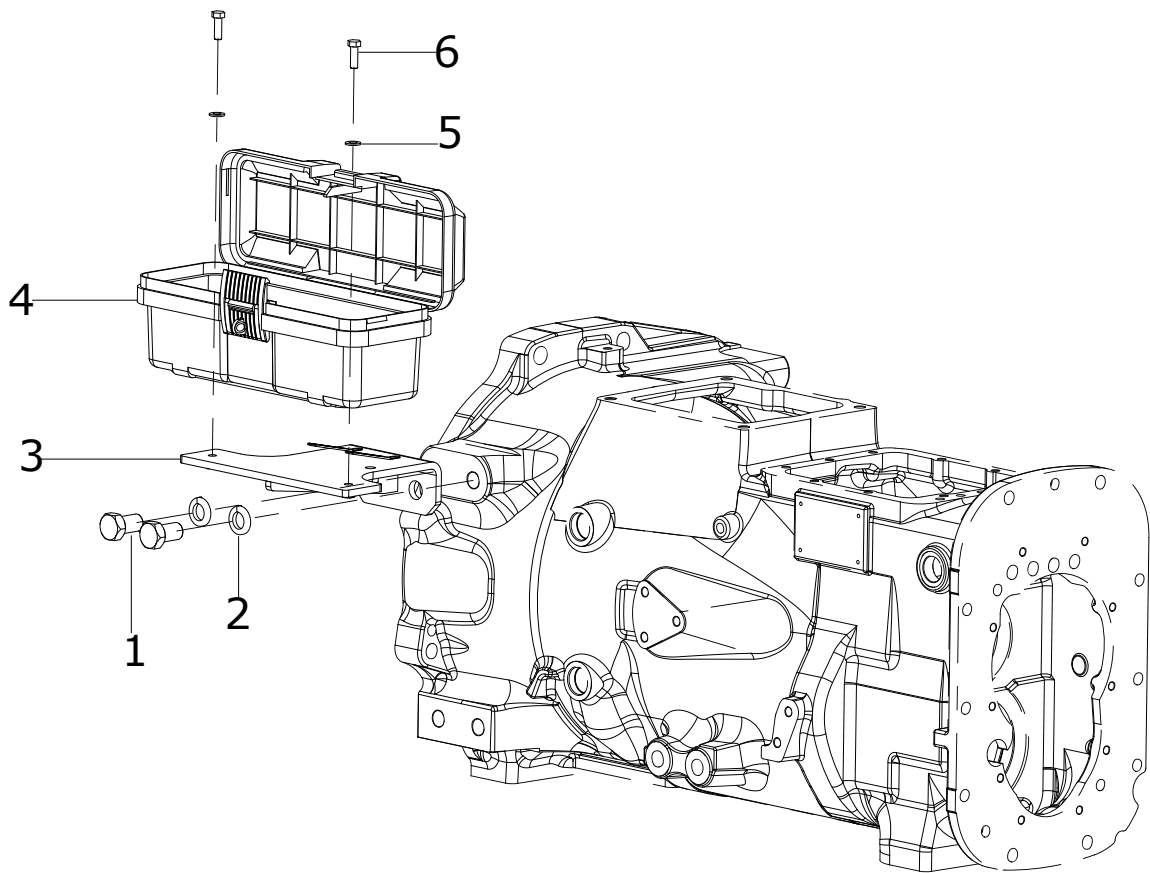




**TABLE-51**  
**CANOPY ASSEMBLY**

Fig. No.	Part No.	Description	Qty
1	D10490990.9	FRAME ASSEMBLY CANOPY	1
2	D10491010.9	BRACKET FRAME ASSEMBLY CANOPY LH	1
3	D10491020.9	BRACKET FRAME ASSEMBLY CANOPY RH	1
4	D10474740.9	CANOPY	1
5	D10473920.9	BRACKET WORK LAMP MOUNTING	2
6	D10497010.9	SPACER CANOPY MOUNTING BRACKET	6
7	D10326280.9	PAD CANOPY FRAME (RUBBER)	6
8	D83500180.9	NUT M12X1.75 NYLOCK HEX	18
9	D81500160.9	BOLT M10X1.50X45-10.9 HEX HEAD	6
10	D81500170.9	BOLT M12X1.75X55-10.9 HEX HEAD	2
11	D10007160.9	BOLT M12X1.75X105-10.9 HEX HEAD	8
12	D81500540.9	BOLT M12X1.75X40-9.8 HEX HEAD	4
13	D83500170.9	NUT M10X1.50 NYLOCK HEX	6
14	D85500060.9	WASHER M12 FLAT	1
15	D85500140.9	WASHER M10 FLAT	2
16	D10476260.9	HARNESS ASSEMBLY CANOPY WITH RELAY	1
16-1	D10623260.9	HARNESS ASSEMBLY CANOPY WITH RELAY	1
17	D10522330.9	LAMP ASSEMBLY WORK	4

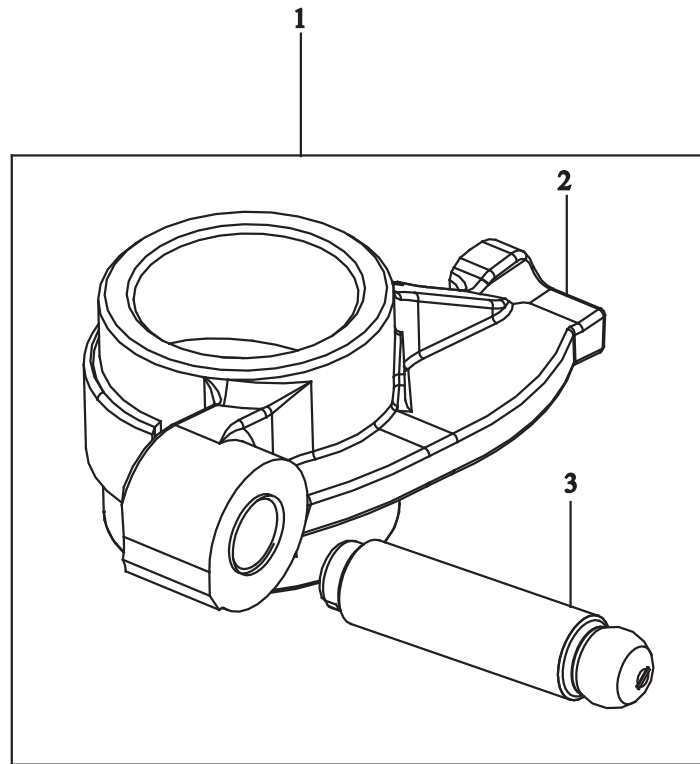
**TABLE-52**  
**TOOL BOX ASSEMBLY**



**TABLE-52**  
**TOOL BOX ASSEMBLY**

Fig. No.	Part No.	Description	Qty
1	D81001520.9	BOLT 3/4"-10X1.25" HEX HEAD	2
2	D86000150.9	WASHER 3/4" SPRING LOCK	2
2-1	D86500080.9	WASHER M20 SPRING LOCK	2
3	D10492980.9	BRACKET ASSEMBLY TOOL BOX MOUNTING	1
4	D10477810.9	BOX ASSEMBLY TOOL (PLASTIC)	1
5	D85500050.9	WASHER M8 FLAT	2
6	D81500590.9	BOLT M8X1.25X25-6.6 HEX HEAD	2
6-1	D81500270.9	BOLT M6X1.00X25-9.8 HEX HEAD	2
6-2	D10034960.9	SCREW M6X1.00X25-6.6 HEX HEAD	2

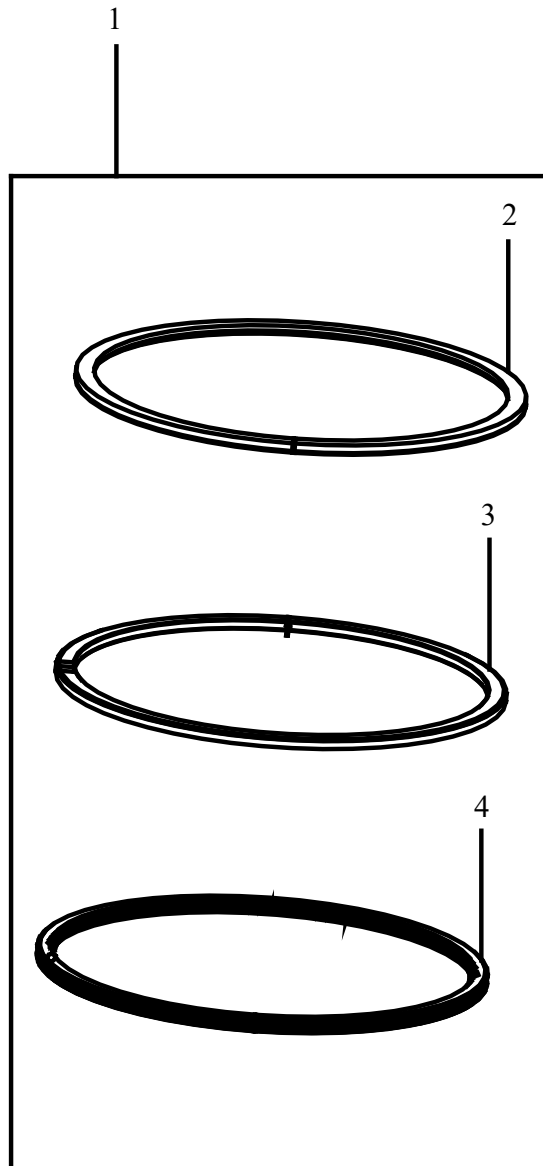
**TABLE-44**  
**KIT ROCKER ARM WITH SCREW**



**TABLE-44**  
**KIT ROCKER ARM WITH SCREW**

<b>Fig. No.</b>	<b>Part No.</b>	<b>Description</b>	<b>Qty</b>
1	D10075030.9	KIT ROCKER ARM WITH SCREW	1
2	D10196470.9	ARM ROCKER VALVE	1
3	D10196000.9	SCREW ROCKER ARM ADJUSTING	1

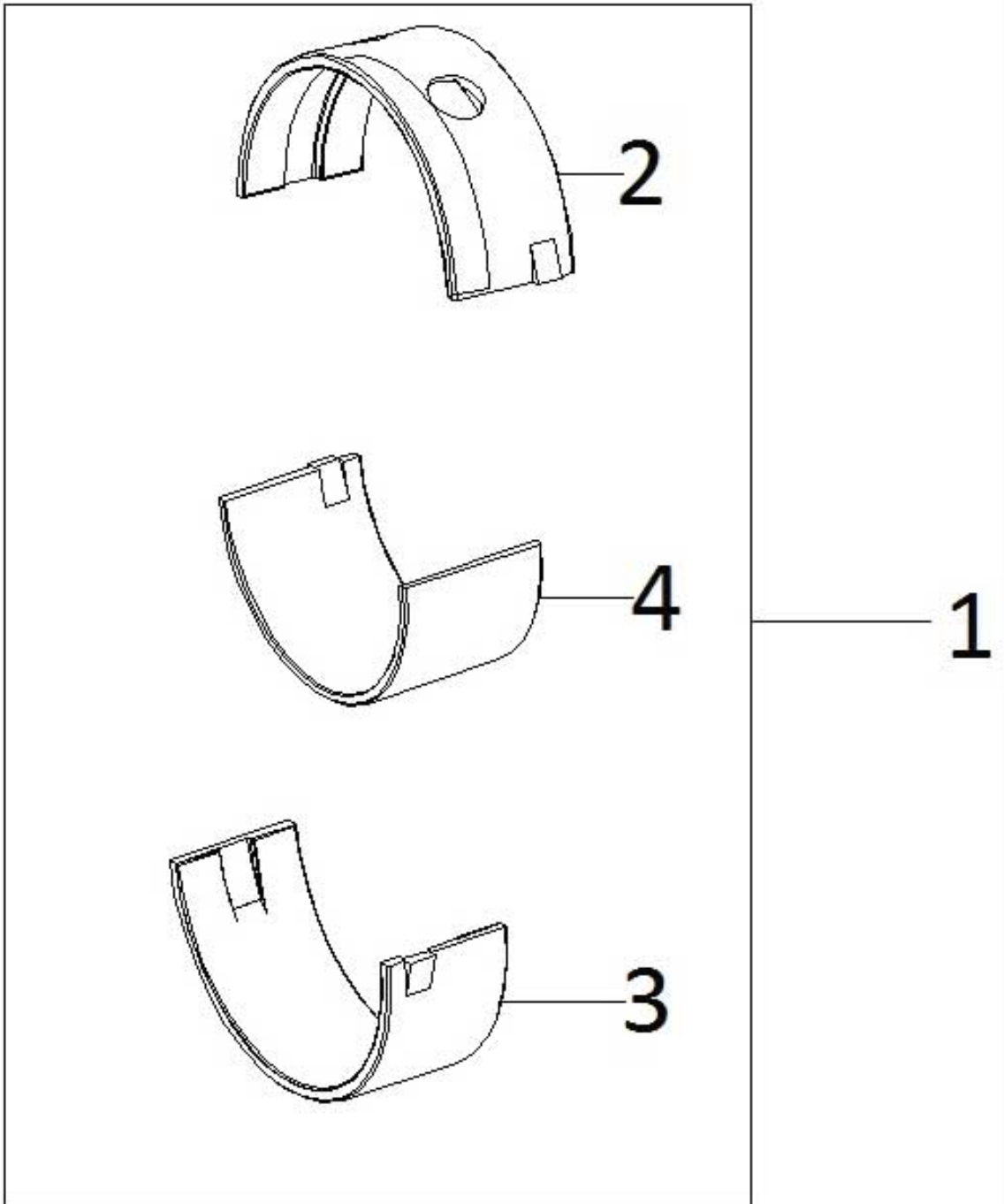
**TABLE-45**  
**KIT PISTON RING SET**



**TABLE-45**  
**KIT PISTON RING SET**

<b>Fig. No.</b>	<b>Part No.</b>	<b>Description</b>	<b>Qty</b>
1	D10116310.9	KIT PISTON RING SET (FT60 AVL)	1
2	D10010670.9	RING PISTON COMPRESSION UPPER	3
3	D10010680.9	RING PISTON COMPRESSION LOWER	3
4	D10044670.9	CONFORMABLE OIL RING ASSEMBLY AVL-70	3

**TABLE-46**  
**KIT ENGINE MAIN AND CONNECTING ROD BEARING SET SIZE STANDARD**

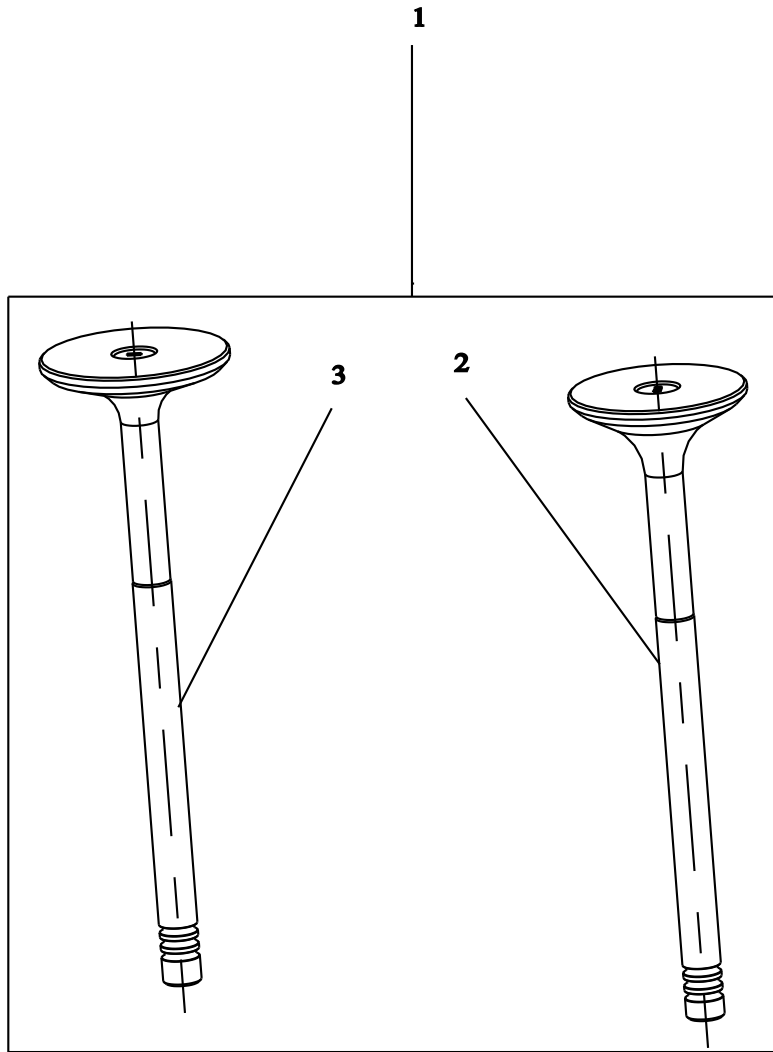




**TABLE-46**  
**KIT ENGINE MAIN AND CONNECTING ROD BEARING SET SIZE STANDARD**

<b>Fig. No.</b>	<b>Part No.</b>	<b>Description</b>	<b>Qty</b>
1	D10137560.9	KIT ENGINE MAIN AND CONNECTING ROD BEARING SET SIZE STANDARD (AVL)	1
2	D10044520.9	BEARING CRANKSHAFT MAIN UPPER	4
3	D10044530.9	BEARING CRANKSHAFT MAIN LOWER	4
4	D10045000.9	BEARING CONNECTING ROD	6

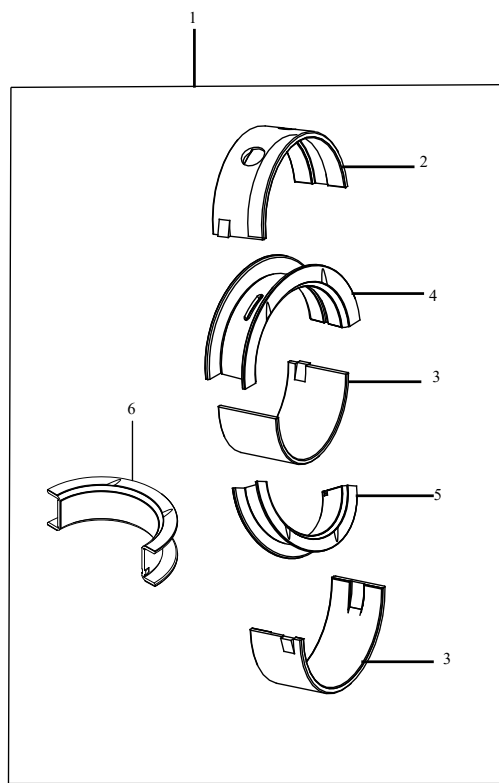
**TABLE-47**  
**KIT ENGINE INLET AND EXHAUST VALVES**



**TABLE-47**  
**KIT ENGINE INLET AND EXHAUST VALVES**

<b>Fig. No.</b>	<b>Part No.</b>	<b>Description</b>	<b>Qty</b>
1	D10137900.9	KIT ENGINE INLET AND EXHAUST VALVES (AVL)	1
2	D10044490.9	VALVE EXHAUST	3
3	D10044500.9	VALVE AIR INTAKE	3

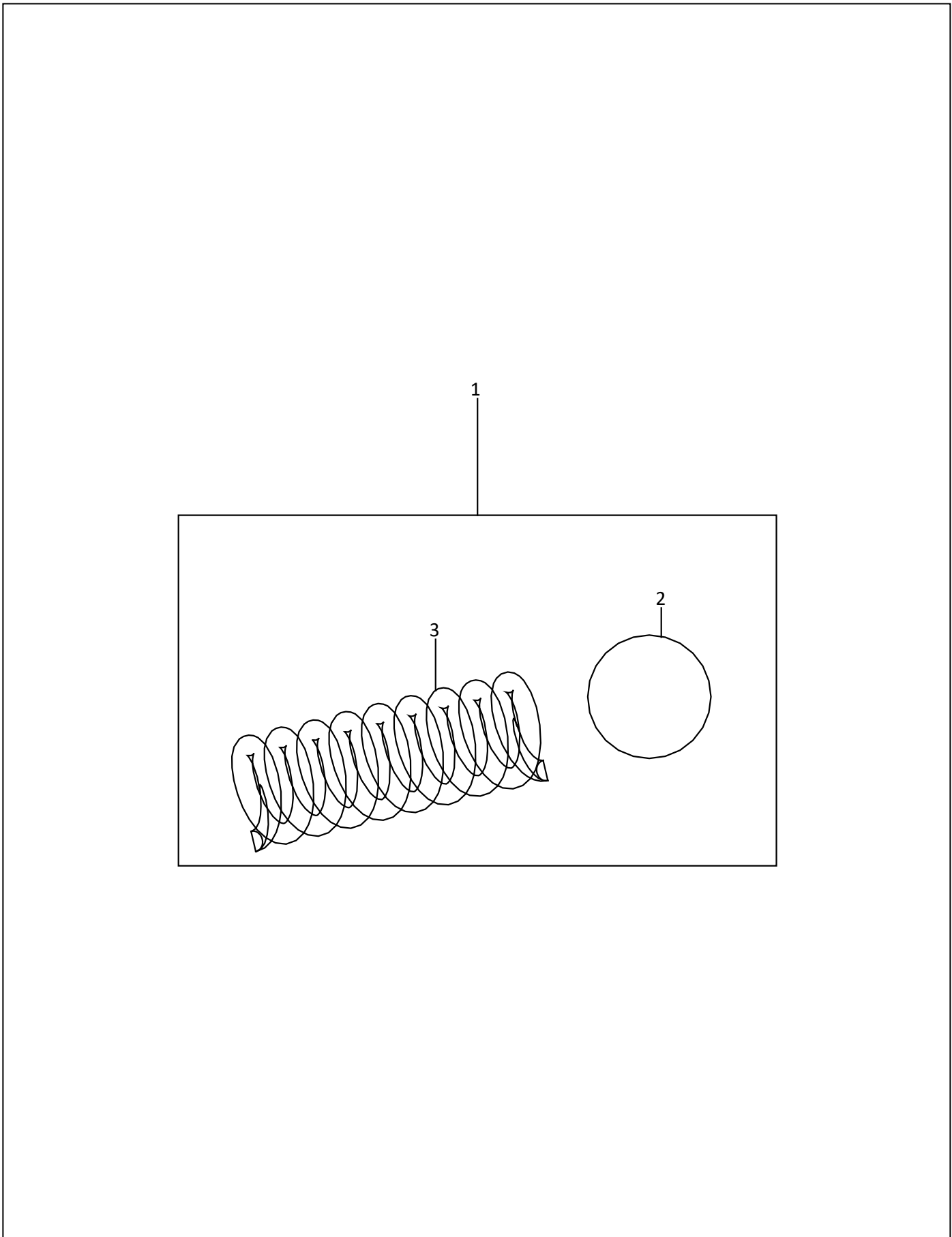
**TABLE-48**  
**KIT ENGINE MAIN AND CONNECTING ROD BEARING SET SIZE STANDARD**



**TABLE-48**  
**KIT ENGINE MAIN AND CONNECTING ROD BEARING SET SIZE STANDARD**

<b>Fig. No.</b>	<b>Part No.</b>	<b>Description</b>	<b>Qty</b>
1	D10175910.9	KIT ENGINE MAIN AND CONNECTING ROD BEARING SET SIZE STANDARD (AVL)	1
2	D10044520.9	BEARING CRANKSHAFT MAIN UPPER	3
3	D10044530.9	BEARING CRANKSHAFT MAIN LOWER	3
4	D10045000.9	BEARING CONNECTING ROD	6
5	D10157440.9	BEARING CRANKSHAFT MAIN THRUST UPPER	1
6	D10157450.9	BEARING CRANKSHAFT MAIN THRUST LOWER	1

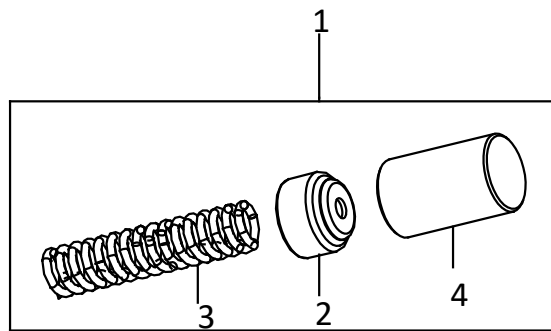
**TABLE-1**  
**KIT GEAR BOX BALL AND SPRING**



**TABLE-1**  
**KIT GEAR BOX BALL AND SPRING**

<b>Fig. No.</b>	<b>Part No.</b>	<b>Description</b>	<b>Qty</b>
1	D10112880.9	KIT GEAR BOX BALL AND SPRING (FARMTRAC)	1
2	D10000490.9	BALL 3/8" DIAMETER	4
3	D10195960.9	SPRING TRANSMISSION PTO SHIFTER PLATE	4

**TABLE-46**  
**KIT OIL PUMP REPAIR**

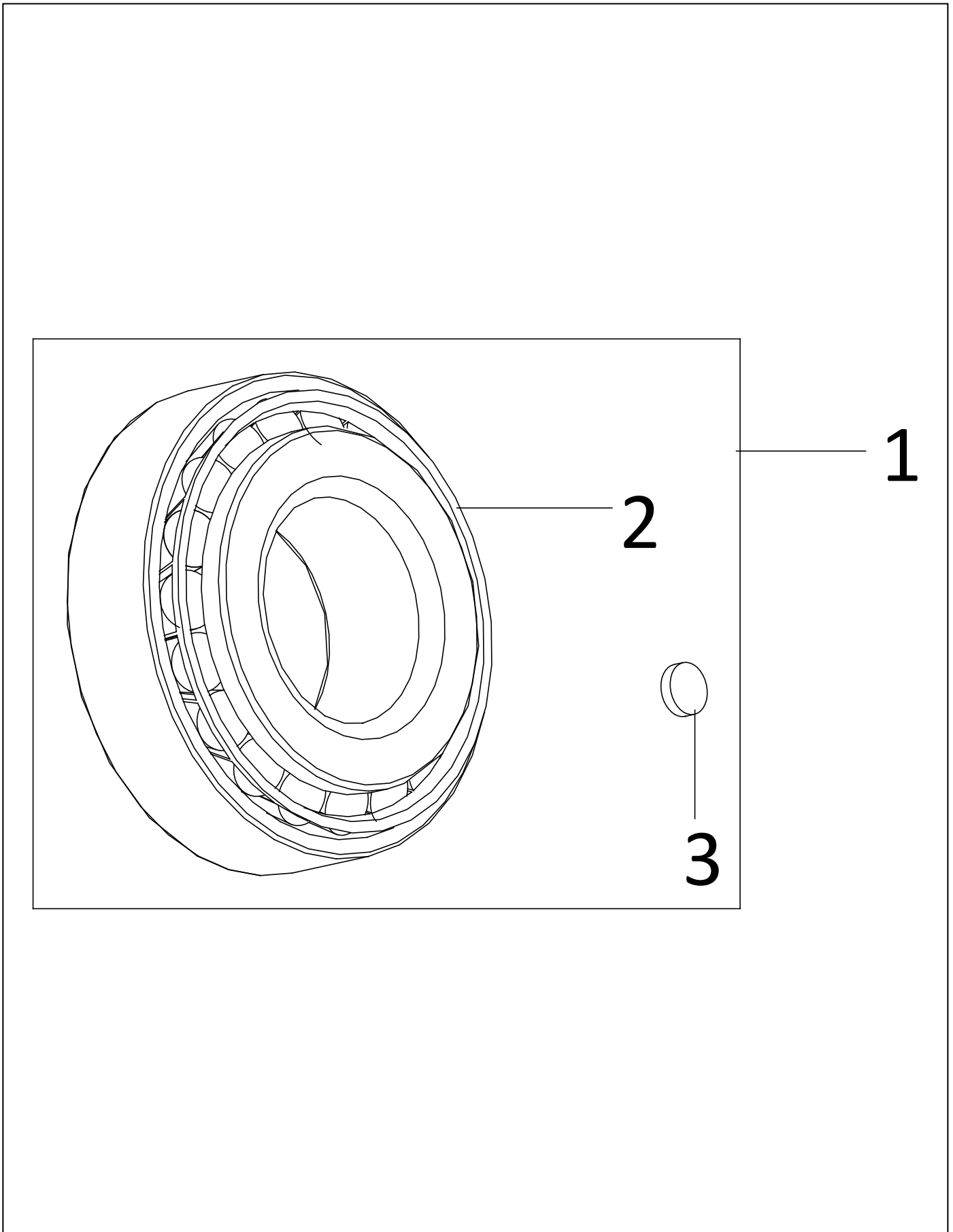




**TABLE-46**  
**KIT OIL PUMP REPAIR**

<b>Fig. No.</b>	<b>Part No.</b>	<b>Description</b>	<b>Qty</b>
1	D10112890.9	KIT OIL PUMP REPAIR (FARMTRAC)	1
2	D10010990.9	PLUG LUBE OIL PUMP RELIEF VALVE	1
3	D10011010.9	SPRING LUBE OIL PUMP RELIEF VALVE	1
4	D10011050.9	VALVE LUBE OIL PRESSURE RELIEF	1

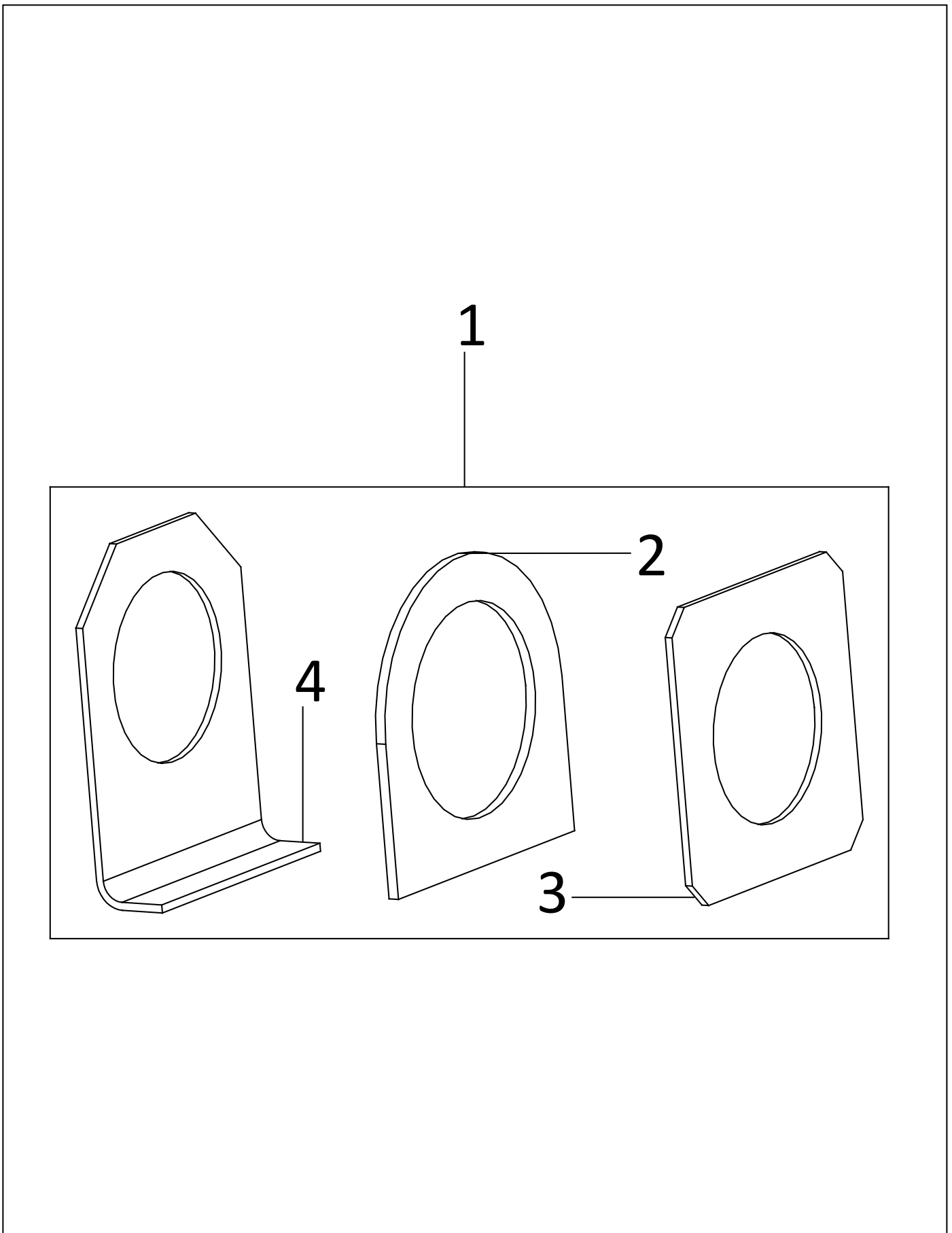
**TABLE-104**  
**KIT CUP AND CONE ROLLER BEARING REAR AXLE**



**TABLE-104**  
**KIT CUP AND CONE ROLLER BEARING REAR AXLE**

<b>Fig. No.</b>	<b>Part No.</b>	<b>Description</b>	<b>Qty</b>
1	D10249530.9	KIT CUP AND CONE ROLLER BEARING REAR AXLE	1
2	D10002620.9	CONE AND ROLLER ASSEMBLY REAR AXLE	1
3	D10002610.9	CUP BEVEL PINION SHAFT REAR AXLE	1

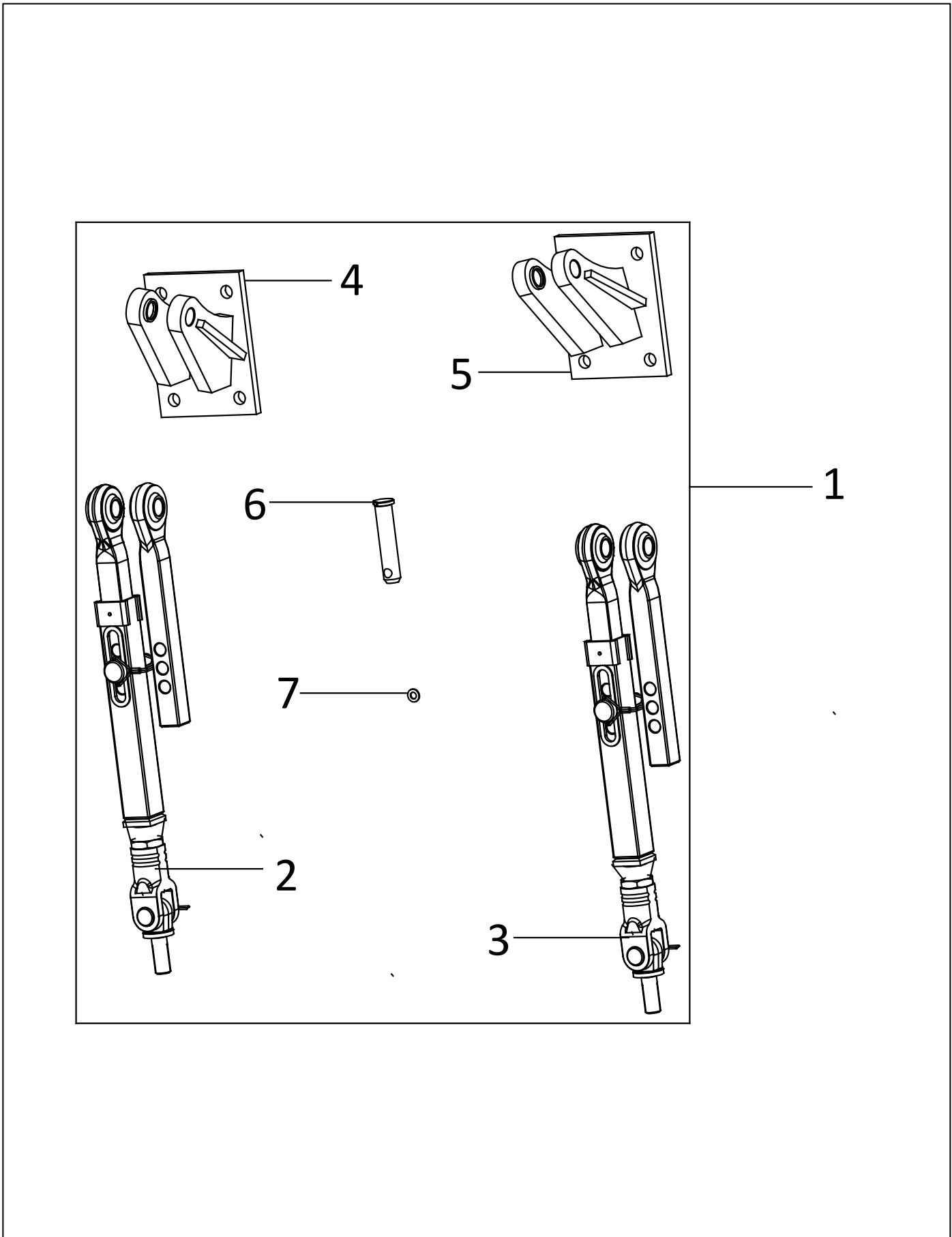
**TABLE-59**  
**KIT WASHER SET CENTRE PIN**



**TABLE-59**  
**KIT WASHER SET CENTRE PIN**

<b>Fig. No.</b>	<b>Part No.</b>	<b>Description</b>	<b>Qty</b>
1	D10311280.9	KIT WASHER SET CENTRE PIN	1
2	D10012880.9	WASHER FRONT AXLE CENTRE PIN THRUST	1
3	D10013000.9	WASHER FRONT AXLE THRUST REAR	1
4	D10013010.9	WASHER FRONT AXLE CENTRE REAR	1

**TABLE-67**  
**KIT STAYBAR**



**TABLE-67**  
**KIT STAYBAR**

<b>Fig. No.</b>	<b>Part No.</b>	<b>Description</b>	<b>Qty</b>
1	D10454910.9	KIT STAYBAR (FT 60 EPI/4455BT)	1
2	D10418250.9	STAY BAR ASSEMBLY LH (SQUARE TYPE)	1
3	D10418260.9	STAY BAR ASSEMBLY RH (SQUARE TYPE)	1
4	D10418810.9	BRACKET STAY BAR MOUNTING LH	1
5	D10418820.9	BRACKET STAY BAR MOUNTING RH	1
6	D10418320.9	PIN STAY BAR (INDUCTION HARDENED)	2
7	D85500050.9	WASHER M8 FLAT	3