

# Parts Catalog

## FARMTRAC

TRACTOR FARMTRAC-6065 ULTRAMAXX

**Escorts Agri Machinery**

**TABLE INDEX**

<b>Sr No.</b>	<b>Table Name</b>	<b>Table No.</b>	<b>Page No.</b>
1	LINER, BLOCK ASSY	1	1-2
2	EXHAUST MANIFOLD,TURBO CHARGER ASSY	2	3-4
3	PUMP LUBE OIL SUBASSEMBLY (4 CYLINDER)	3	5-6
4	GEAR IDLER, CAMSHAFT	4	7-8
5	HOUSING TIMING GEAR INLINE FIP SUBASSEMBLY (EURO)	5	9-10
6	PULLEY, CRANKSHAFT	6	11-12
7	PUMP ASSY. WATER, FAN ASSY	7	13-14
8	FLYWHEEL ASSY	8	15-16
9	HYDRAULIC PUMP, STARTER MOTOR, ALTERNATOR ASSY	9	17-18
10	FILTERS	10	19-20
11	TUBES, INJECTORS, FIP	11	21-22
12	FUEL TANK SUBASSEMBLY	12	23-24
13	PISTON & CONNECTING ROD ASSY	13	25-26
14	INTAKE MANIFOLD, CYL. HEAD ASSY	14	27-30
15	EXHAUST SYSTEM SUBASSEMBLY	15	31-32
16	AIR CLEANER ASSY, INTERCOOLER & HOSES	16	33-34
17	THERMOSTAT	17	35-36
18	THROTTLE AND ACCELERATION CONTROL	18	37-40
19	COOLING SYSTEM SUBASSEMBLY	19	41-42
20	INTERCOOLER SUBASSEMBLY	20	43-44
21	CARRIER ASSEMBLY PLANETARY CARRIER	21	45-46
22	RETAINER & BEVEL PINION SHAFT ASSY-FRONT AXLE 4WD	22	47-48
23	DIFFERENTIAL ASSEMBLY	23	49-50
24	BEVEL PINION SHAFT & DIFF.ASSY-FRONT AXLE 4WD	24	51-52
25	HOUSING ASSY SWIVEL FRONT AXLE LH-4WD	25	53-54
26	HOUSING ASSY SWIVEL FRONT AXLE RH-4WD	26	55-56
27	DROP BOX ASSEMBLY	27	57-58
28	SUPPORT FRONT AXLE	28	59-60
29	AXLE FRONT SUBASSEMBLY	29	61-64
30	PROPELLER SHAFT AND GUARD	30	65-66

**TABLE INDEX**

<b>Sr No.</b>	<b>Table Name</b>	<b>Table No.</b>	<b>Page No.</b>
31	MOTOR AND COLUMN ASSEMBLY (POWER STEERING)	31	67-68
32	TUBING STEERING SUBASSEMBLY	32	69-72
33	CLUTCH ASSEMBLY	33	73-74
34	CLUTCH HOUSING	34	75-76
35	CLUTCH CONTROL	35	77-78
36	CLUTCH OUTER CONTROL	36	79-80
37	PTO CLUTCH OUTER CONTROL	37	81-82
38	CLUTCH - SHAFTS	38	83-84
39	GEAR BOX HOUSING	39	85-86
40	LEVERS COVER	40	87-88
41	TRANSMISSION GEAR BOX OUTER CONTROL	41	89-90
42	REVERSE OUTER CONTROL	42	91-92
43	GEAR BOX INNER CONTROL	43	93-94
44	REDUCER INNER CONTROLS	44	95-96
45	REVERSE INNER CONTROLS	45	97-98
46	PRIMARY SHAFT	46	99-100
47	SECONDARY SHAFT	47	101-102
48	REVERSE GEAR	48	103-104
49	BEVEL GEAR SET	49	105-106
50	REAR DIFFERENTIAL	50	107-108
51	REAR DIFFERENTIAL LOCK	51	109-110
52	DIFFERENTIAL LOCK LINKAGE	52	111-112
53	P.T.O. INNER GEARS AND SHAFT	53	113-114
54	P.T.O. OUTER CONTROLS	54	115-116
55	TRANSMISSION P.T.O. (540 RPM)	55	117-118
56	FINAL DRIVE HOUSING	56	119-120
57	FINAL DRIVE - WHEEL SHAFT	57	121-122
58	BRAKES	58	123-124
59	BRAKE RELEASE SYSTEM	59	125-126
60	HYDRAULIC LIFT - BODY	60	127-128

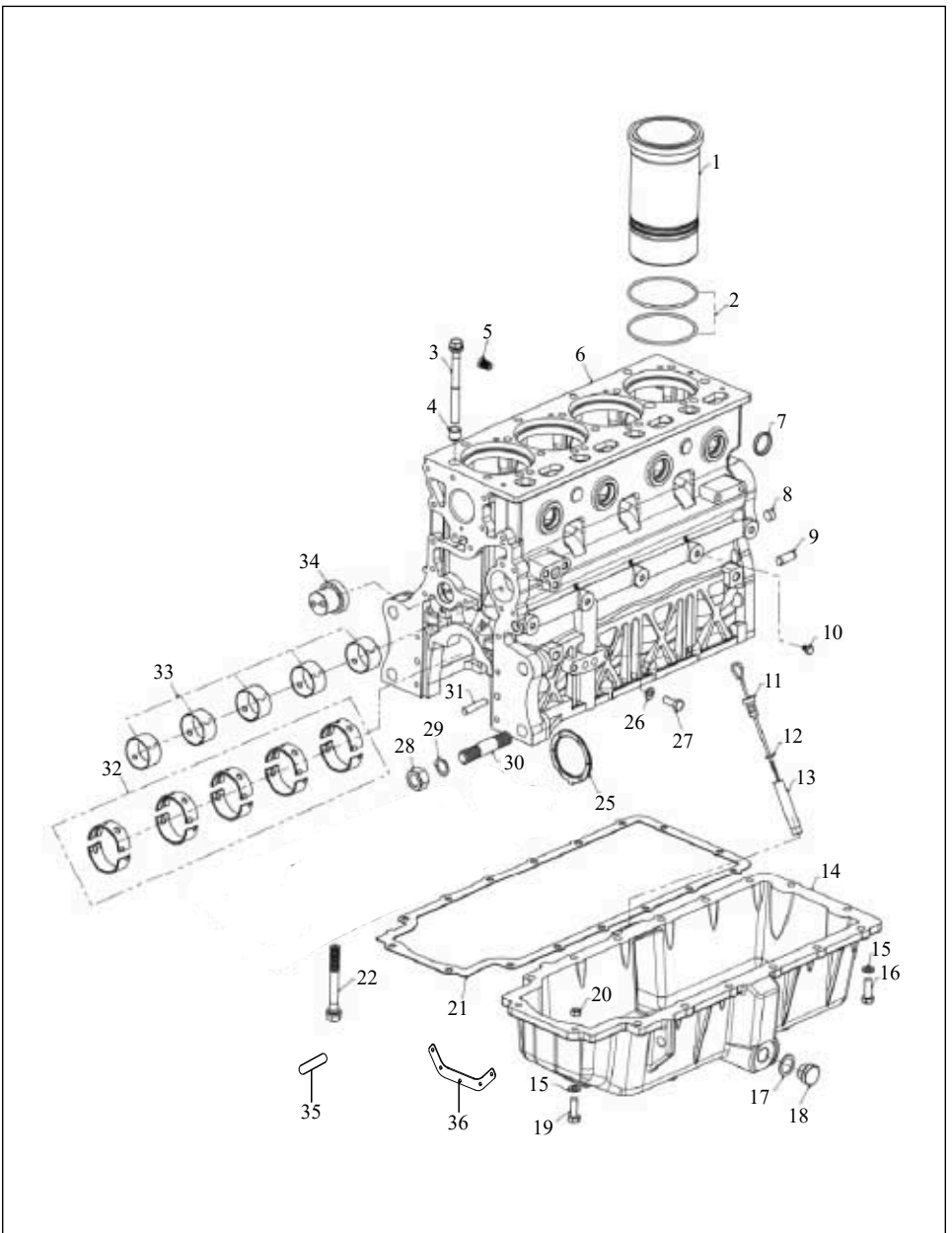
**TABLE INDEX**

<b>Sr No.</b>	<b>Table Name</b>	<b>Table No.</b>	<b>Page No.</b>
61	COVER HYDRAULIC ASSEMBLY	61	129-130
62	CYLINDER	62	131-132
63	INSIDE LIFTING CONTROL	63	133-134
64	TOP LINK SENSING	64	135-136
65	OUTER LIFTING CONTROL	65	137-138
66	LEVER LIFTING CONTROL	66	139-140
67	MAIN DISTRIBUTOR VALVE	67	141-144
68	PTO GUARD	68	145-146
69	REAR WHEELS	69	147-148
70	BRAKE PEDAL	70	149-150
71	HAND BRAKE SYSTEM	71	151-152
72	HYDRAULIC LIFT LINKAGE	72	153-154
73	TUBING SPOOL CONTROL VALVE SUBASSEMBLY	73	155-156
74	TUBING HYDRAULIC SUBASSEMBLY	74	157-160
75	ALTERNATOR GUARD & STARTER MOTOR	75	161-162
76	BATTERY AND BATTERY SUPPORT	76	163-164
77	WIRING HARNESS SYSTEM	77	165-166
78	HEAD LAMP AND WORK LAMP	78	167-168
79	HOOD FRONT AND REAR SUBASSEMBLY	79	169-170
80	HOOD REAR AND INSTRUMENT CLUSTER ASSEMBLY	80	171-172
81	HOOD FRONT AND PANEL TOP ASSEMBLY	81	173-174
82	GRILL FRONT AND BEZEL ASSEMBLY	82	175-176
83	FRAME ASSEMBLY RADIATOR AND SIDE GUARD SUBASSEMBLY	83	177-178
84	FRAME COOLING SYSTEM AND ELECTRICAL FRONT ASSEMBLY	84	179-180
85	GUARD ASSEMBLY RADIATOR RH	85	181-182
86	GUARD ASSEMBLY RADIATOR LH	86	183-184
87	RUNNING BOARD	87	185-188
88	FENDER	88	189-190
89	DRIVER SEAT	89	191-192
90	DECAL	90	193-194

**TABLE INDEX**

<b>Sr No.</b>	<b>Table Name</b>	<b>Table No.</b>	<b>Page No.</b>
91	TOW HOOK	91	195-196
92	FRONT WHEEL WEIGHT	92	197-198
93	REAR VIEW MIRROR	93	199-200
94	TOOLS	94	201-202
95	KIT ENGINE MAIN AND CONNECTING ROD BEARING SET SIZE STANDARD	95	203-204
96	KIT CRANKSHAFT THRUST RING UPPER AND LOWER SIZE STANDARD	96	205-206
97	KIT MIRROR AND BRACKET REAR VIEW	97	207-208
98	KIT ENGINE VALVES INLET AND EXHAUST	98	209-210
99	KIT ENGINE VALVES INLET AND EXHAUST	99	211-212
100	KIT ENGINE PISTON RING SET	100	213-214
101	COVER AND HOUSING VALVE TIMING GEAR	101	215-216
102	KIT ENGINE SET OF PISTON, PIN AND CIRCLIP	102	217-218
103	KIT PISTON, PIN AND CIRCLIP (FT60 AVL)	103	219-220
104	KIT FUEL FILTER INSERTS PRIMARY AND SECONDARY ( MICO )	104	221-222
105	KIT ENGINE VALVES INLET AND EXHAUST	105	223-224
106	KIT CONNECTING ROD SMALL END BUSG ( FT- 6065 )	106	225-226
107	ENGINE ASSEMBLY	1A	227-228

**TABLE-1**  
**LINER, BLOCK ASSY**



**TABLE-1****LINER, BLOCK ASSY**

Fig. No.	Part No.	Description	Qty
1	D10009220.9	LINER CYLINDER E3.215	4
2	D10010040.9	SEAL O RING 3.80X95.20 (M/S FENNER PART NO 7883)	8
3	D10114410.9	BOLT M12X1.5X138.5-12.9 HEX HEAD E4.286	18
4	D87500070.9	PIN 18X15 SLEEVE	2
5	D93100010.9	PLUG 1/4"-18 PIPE	1
6	D10286060.9	BLOCK ASSEMBLY CYLINDER F4.286	1
7	D10008890.9	PLUG 36.15MM WELCH	4
8	D10009990.9	DOWEL 16X9 CYLINDER BLOCK OIL GALLERY PLUG	3
9	D87500080.9	PIN 13X34 PLAIN DOWEL	2
10	D93100020.9	PLUG 1/8"-27 HEX HEAD	5
11	D10325750.9	INDICATOR ASSEMBLY OIL LEVEL	1
12	D10007700.9	SEAL O RING 2.62X7.59	2
13	D10249580.9	TUBE ENGINE OIL LEVEL INDICATOR	1
14	D10250610.9	SUMP ENGINE OIL (E4.286 TCI)	1
15	D85500010.9	WASHER M10 FLAT	1
16	D81500060.9	BOLT M10X1.50X30-8.8 HEX HEAD	13
17	D10005120.9	WASHER M24 FLAT COPPER	1
18	D10023940.9	PLUG DRAIN M24X1.5X15	1
19	D82500150.9	SCREW M10X1.50X25-8.8 HEX HEAD	2
20-1	D83500940.9	NUT M10X1.5-10 HEX FLANGED (WHITE PASSIVATED)	8
21	D10095390.9	GASKET ENGINE OIL SUMP	1
22	D10114400.9	BOLT M14X1.5X110-10.9 CRANKSHAFT MAIN BEARING CAP E4.286	10
25	D10124220.9	RING CRANKSHAFT THRUST UPPER E4.286 TCI	2
25A	D10124210.9	RING CRANKSHAFT THRUST LOWER E4.286 TCI	2
26	D86500050.9	WASHER M10 SPRING LOCK	2
27	D81500060.9	BOLT M10X1.50X30-8.8 HEX HEAD	2
28	D10032950.9	NUT M20X1.5-8 HEX	4
29	D86500080.9	WASHER M20 SPRING LOCK	4
30	D10035660.9	STUD FRONT AXLE SUPPORT	4
31	D10009340.9	DOWEL POSITIONING 10X50	2
32	D10248740.9	BEARING CRANKSHAFT MAIN UPPER	5
32A	D10248750.9	BEARING CRANKSHAFT MAIN LOWER	5
33	D10009470.9	BUSH CAMSHAFT E3.215	5
34	D10009310.9	SHAFT VALVE TIMING IDLER GEAR	1
35	D10022020.9	PIN FUEL INJECTOR NOZZLE HOLDER	4
36	D10012340.9	STIFFENER ENGINE REAR COVER PLATE	1
38	D95010830.9	LOCTITE 5060	1
39	D95010840.9	LOCTITE ANAEROBIC L-5182	AR

**TABLE-2**  
**EXHAUST MANIFOLD, TURBO CHARGER ASSY**

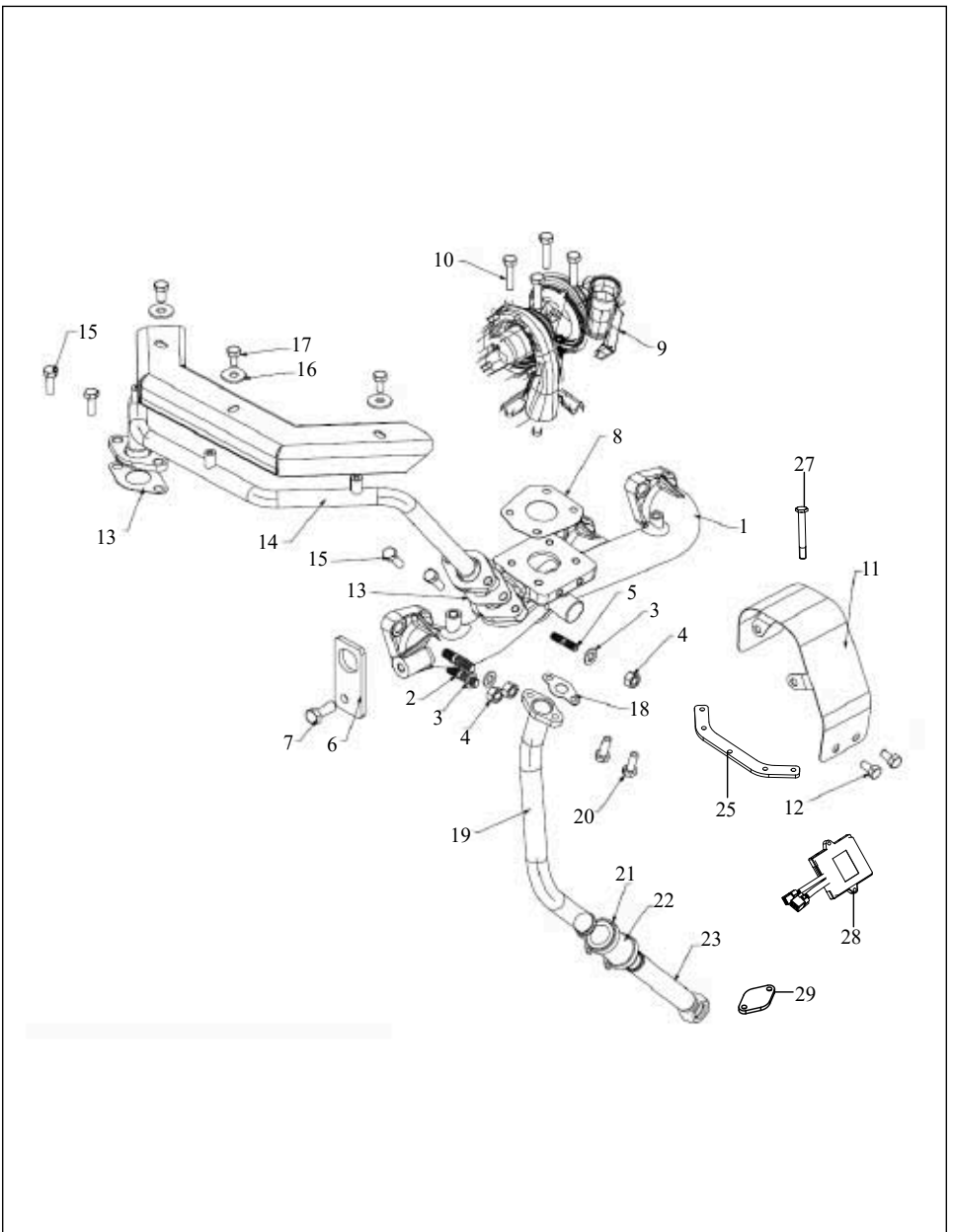


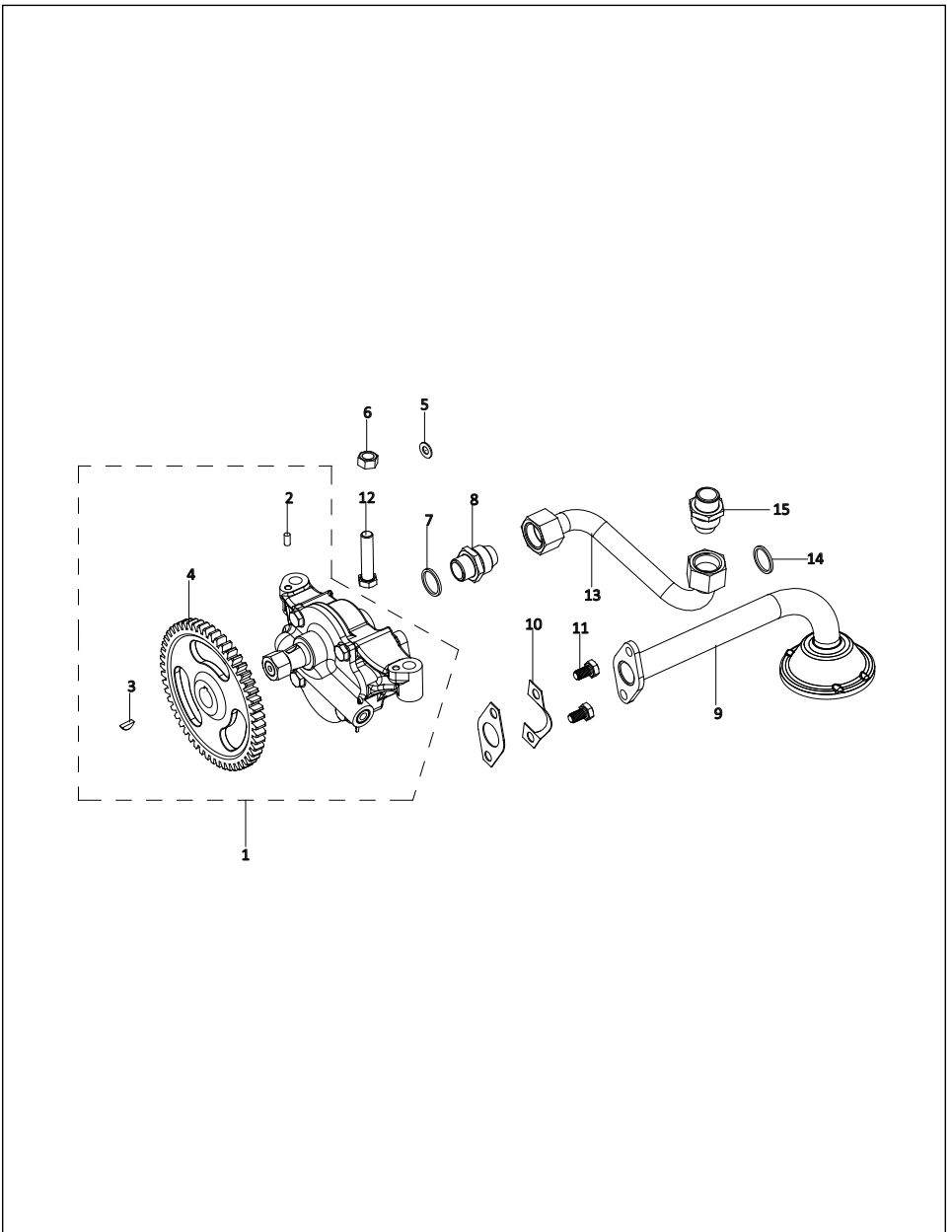


TABLE-2

## EXHAUST MANIFOLD,TURBO CHARGER ASSY

Fig. No.	Part No.	Description	Qty
1	D10309910.9	MANIFOLD EXHAUST E4.286 TCI	1
2	D84500020.9	STUD B M10X26-6.8 ZINC PASSIVATED	17
3	D86500050.9	WASHER M10 SPRING LOCK	17
4-1	D83500940.9	NUT M10X1.5-10 HEX FLANGED (WHITE PASSIVATED)	8
5	D10024450.9	STUD B M10X37-6.6	1
6	D10008600.9	PLATE HOOK ENGINE LIFTING	1
7	D82500150.9	SCREW M10X1.50X25-8.8 HEX HEAD	1
8	D10196590.9	GASKET TURBOCHARGER TO ADOPTER (G40)	1
9	D10225990.9	TURBOCHARGER ASSEMBLY HX20 TD03L 6T/4	1
10	D81500030.9	BOLT M8X1.25X35-6.6 HEX HEAD	4
11	D10244810.9	GUARD ASSEMBLY TURBOCHARGER (E4.286TCI BHARAT TREM 3A)	1
12	D81500110.9	BOLT M8X1.25X20-8.8 HEX HEAD	2
13	D10178440.9	GASKET EGR VALVE	2
14	D10310750.9	TUBE EXHAUST GAS RECIRCULATION	1
15	D82500080.9	SCREW M8X1.25X25-8.8 HEX HEAD	4
16	D10022040.9	WASHER 8.5X17 FUEL INJECTOR NOZZLE HOLDER	4
17	D82500050.9	SCREW M6X1.00X12-6.8 HEX HEAD	3
18	D10135850.9	GASKET TURBOCHARGER OIL OUTLET (E4.286 TC/TCI)	1
19	D10244870.9	PIPE OUTLET TURBOCHARGER LUBRICATION TOP (E4.286TCI BHARAT TREM 3A)	1
20	D81500420.9	BOLT M6X1.00X20 HEX HEAD HOLED	2
21	D10015860.9	CLAMP HOSE WORM DRIVE 35MM	5
22	D10169430.9	HOSE OUTLET TURBOCHARGER LUBRICATION (E4.286 TC/TCI)	1
23	D10236330.9	PIPE OUTLET TURBOCHARGER LUBRICATION BOTTOM	1
24	D10061140.9	BEARING 6308 2RS1(SKF)	2
25	D10253460.9	VALVE ASSEMBLY EXHAUST GAS RECIRCULATION	1
27	D81501720.9	BOLT M8X1.5X94 HEX HEAD	1
28	D10253440.9	UNIT ENGINE ELECTRONIC CONTROL EXHAUST GAS RECIRCULATION	1
29	D10198330.9	PLATE EXHAUST MANIFOLD (E3.215 TCI)	1

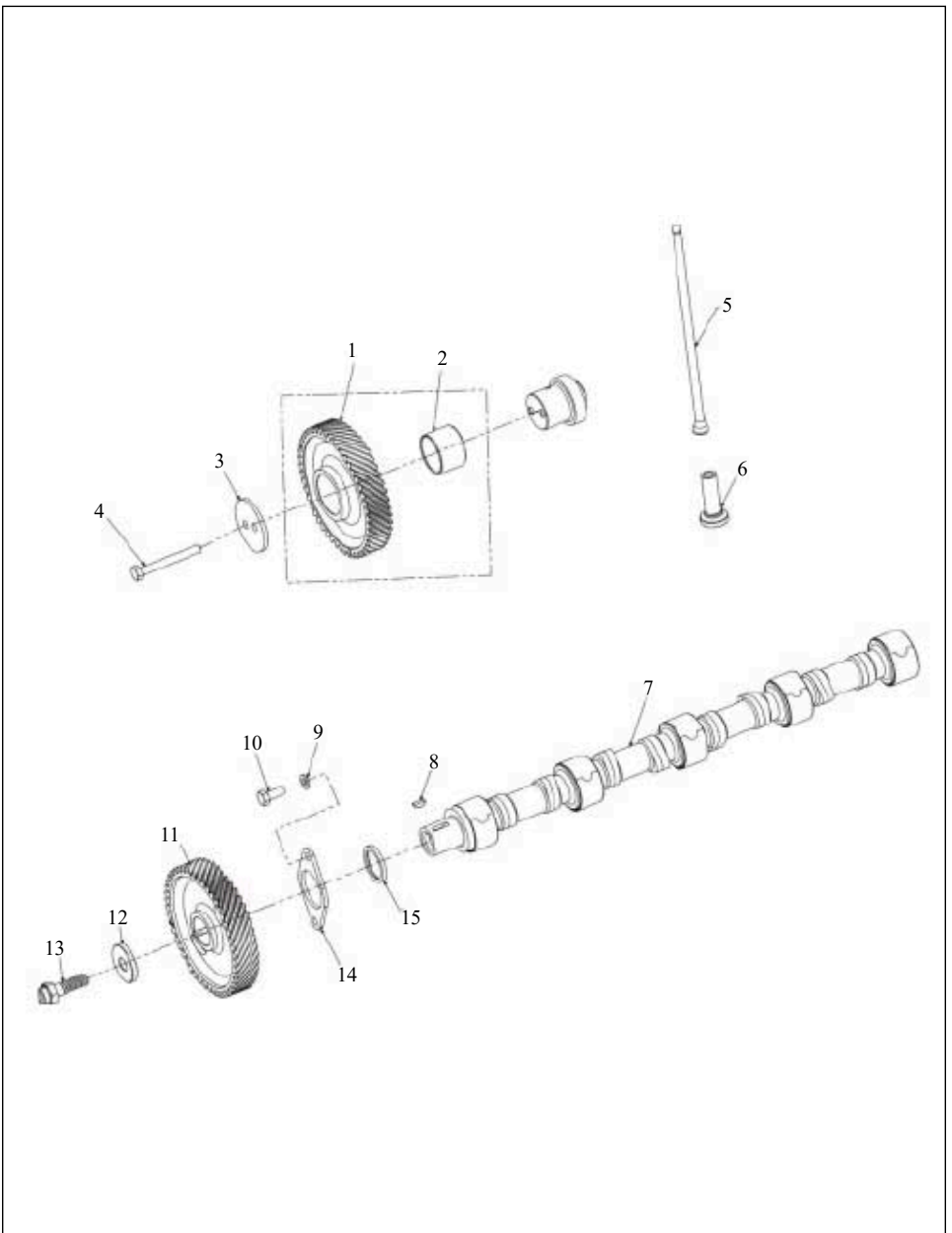
**TABLE-3**  
**PUMP LUBE OIL SUBASSEMBLY (4 CYLINDER)**



**TABLE-3**  
**PUMP LUBE OIL SUBASSEMBLY (4 CYLINDER)**

Fig. No.	Part No.	Description	Qty
1	D10098690.9	PUMP ASSEMBLY ENGINE LUBE OIL	1
2	D87500090.9	PIN 5X30 PLAIN DOWEL	2
3	D91000050.9	KEY 4X5 WOODRUFF	1
4	D10009810.9	GEAR DRIVEN LUBE OIL PUMP	1
5	D10009800.9	WASHER TAB D 15X32X3.5	1
6	D83500140.9	NUT M14X1.50-8P HEX	1
7	D10008820.9	WASHER 20.5 ALUMINIUM SEALING	1
8	D10008810.9	ADAPTER LUBE OIL PUMP	1
9	D10099920.9	PIPE AND STRAINER ASSEMBLY LUBE OIL PUMP SUCTION	1
10	D10009980.9	WASHER LUBE OIL PUMP SUCTION STRAINER LOCK	1
11	D82500070.9	SCREW M8X1.25X15-6.8 HEX HEAD	2
12	D81500160.9	BOLT M10X1.50X45-10.9 HEX HEAD	2
13	D10008800.9	PIPE ASSEMBLY LUBE OIL DELIVERY	1
14	D10008820.9	WASHER 20.5 ALUMINIUM SEALING	1
15	D10008810.9	ADAPTER LUBE OIL PUMP	1

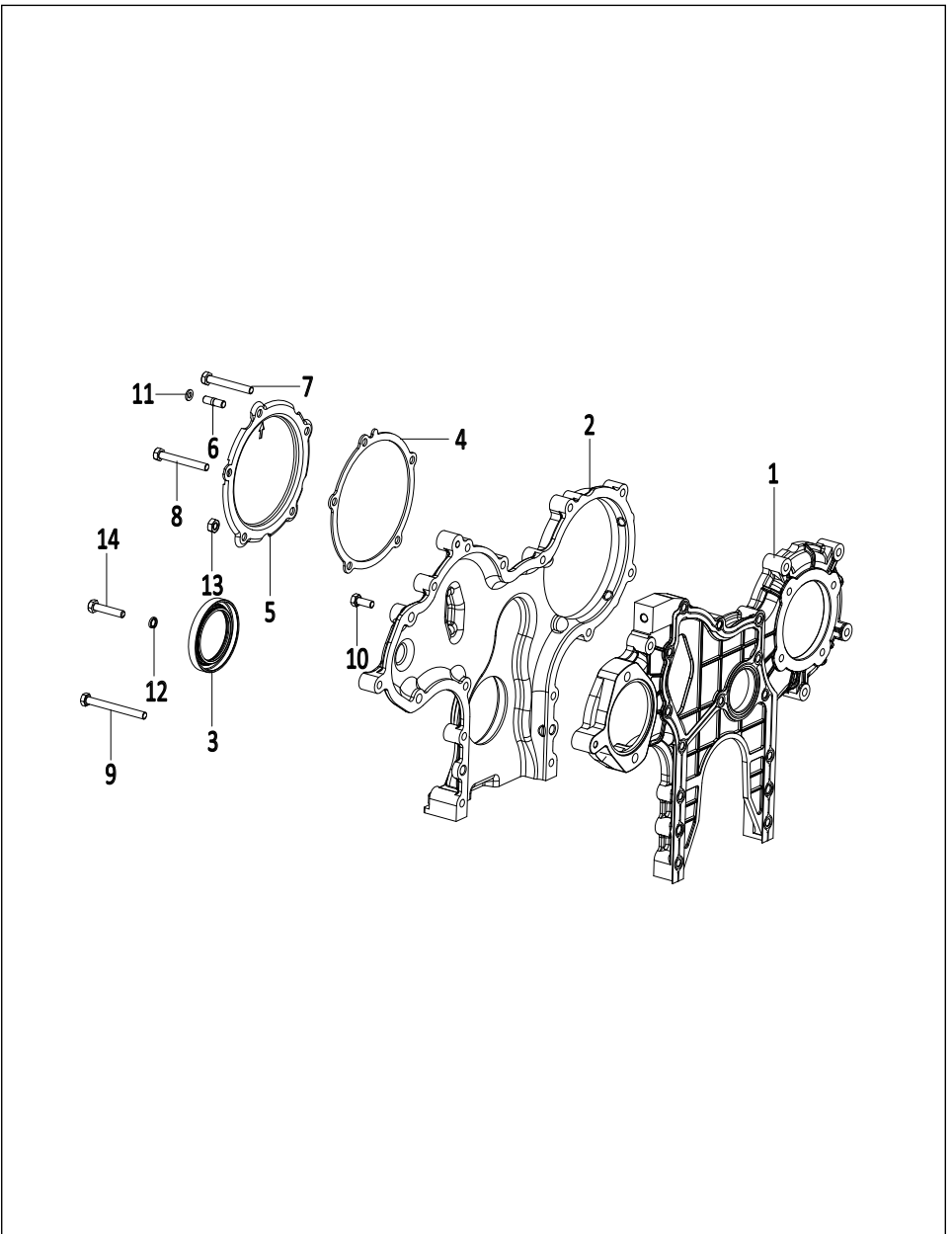
**TABLE-4**  
**GEAR IDLER, CAMSHAFT**



**TABLE-4****GEAR IDLER, CAMSHAFT**

<b>Fig. No.</b>	<b>Part No.</b>	<b>Description</b>	<b>Qty</b>
1	D10108450.9	GEAR ASSEMBLY IDLER ENGINE VALVE TIMING (HARDENED AND LEFT HAND HELIX)	1
2	D10101130.9	BUSH ENGINE VALVE TIMING IDLER GEAR	1
3	D10009650.9	PLATE VALVE TIMING IDLER GEAR SHAFT THRUST	1
4	D81500150.9	BOLT M8X1.25X70-8.8P HEX HEAD	2
5	D10009020.9	ROD VALVE PUSH E3.215	8
6	D10173250.9	TAPPET INTAKE AND EXHAUST VALVE	8
7	D10115780.9	CAMSHAFT(MACHINING E4.286 TC AND TCI)	1
8	D91000130.9	KEY 5X7.5 WOODRUFF	1
9	D85500010.9	WASHER M10 FLAT	2
10	D81500060.9	BOLT M10X1.50X30-8.8 HEX HEAD	2
11	D10108470.9	GEAR CAM SHAFT Z-48 (HARDENED AND RIGHT HAND HELIX)	1
12	D10009240.9	PLATE CAMSHAFT THRUST	1
13	D10009230.9	BOLT M12X1.75X38 HEX HEAD CAMSHAFT	1
14	D10009270.9	PLATE FLANGED CAMSHAFT THRUST	1

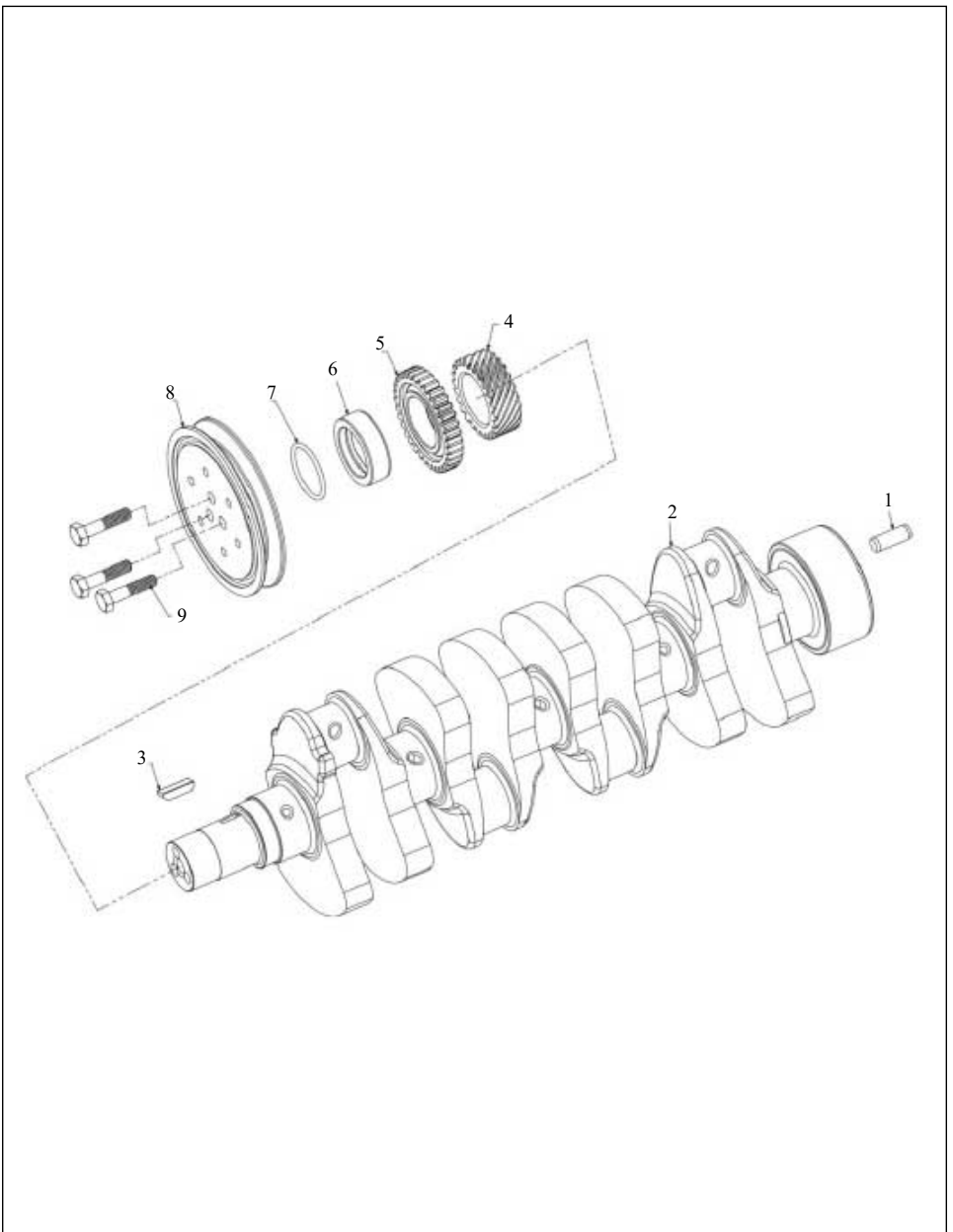
**TABLE-5**  
**HOUSING TIMING GEAR INLINE FIP SUBASSEMBLY (EURO)**



**TABLE-5**  
**HOUSING TIMING GEAR INLINE FIP SUBASSEMBLY (EURO)**

Fig. No.	Part No.	Description	Qty
1	D10009561.9	HOUSING VALVE TIMING GEAR (ALUMINIUM)	1
2	D10378030.9	COVER VALVE TIMING GEAR (ALUMINIUM)	1
3-1	D10377530.9	SEAL OIL CRANKSHAFT FRONT (PTFE TYPE)	1
4	D10378020.9	GASKET FIP GEAR INSPECTION COVER	1
5	D10378010.9	COVER FIP GEAR INSPECTION	1
6	D84500180.9	STUD B M8X1.25X28-8.8	5
7	D81500130.9	BOLT M8X1.25X60-8.8 HEX HEAD	4
8	D81500140.9	BOLT M8X1.25X65-8.8 HEX HEAD	6
9	D81500120.9	BOLT M8X1.25X80-8.8 HEX HEAD	2
10	D81500110.9	BOLT M8X1.25X20-8.8 HEX HEAD	5
11	D85500040.9	WASHER M6 FLAT	5
12	D86500030.9	WASHER M8 SPRING LOCK	12
13	D83500060.9	NUT M8X1.25-6 HEX	6
14	D82500100.9	SCREW M8X1.25X40-6.6 HEX HEAD	1

**TABLE-6**  
**PULLEY, CRANKSHAFT**

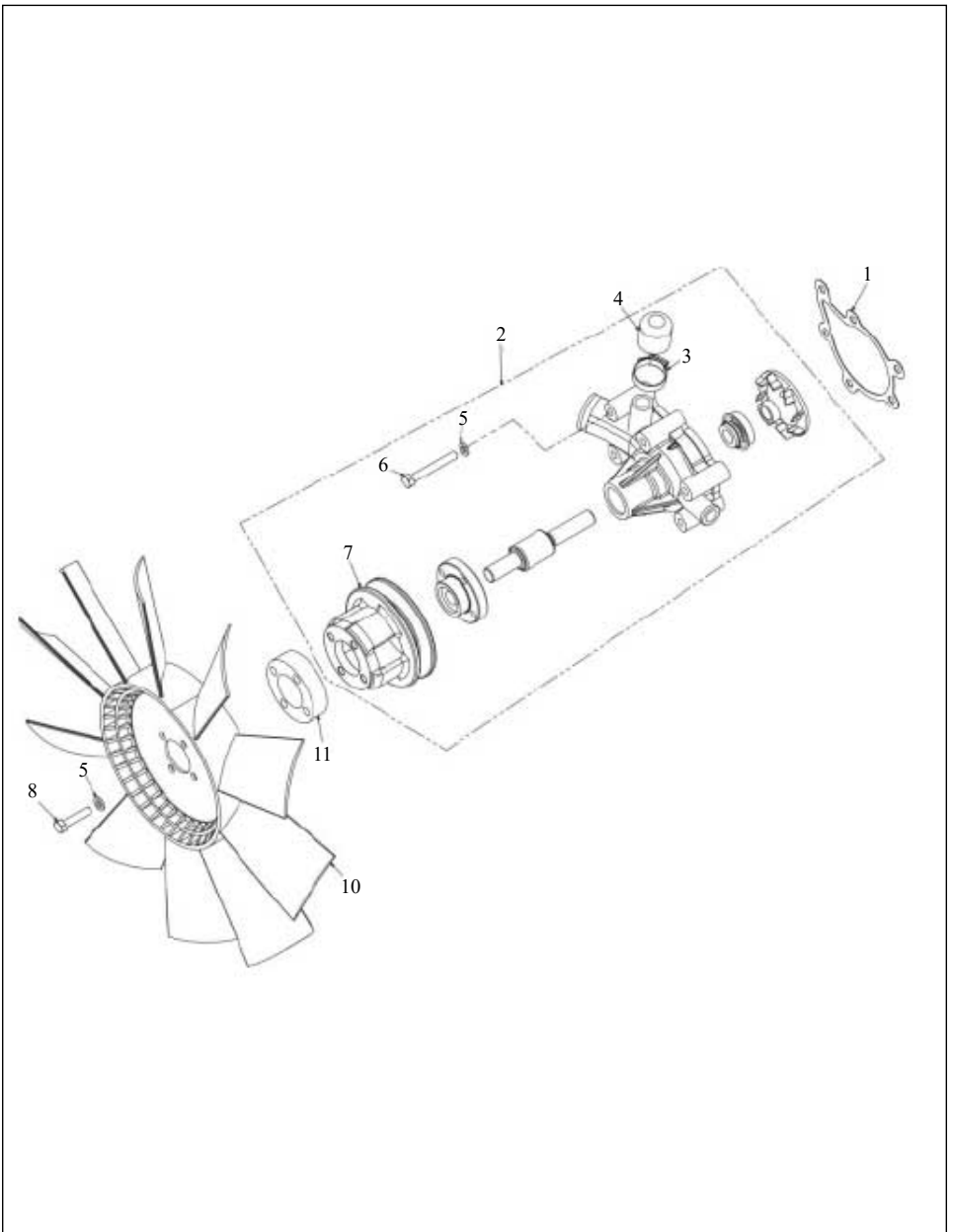




**TABLE-6**  
**PULLEY, CRANKSHAFT**

Fig. No.	Part No.	Description	Qty
1	D87500080.9	PIN 13X34 PLAIN DOWEL	2
2	D10124050.9	CRANKSHAFT E4.286 TCI (SEMI FINISHED)	1
3	D91000130.9	KEY 5X7.5 WOODRUFF	1
4	D10108440.9	GEAR CRANKSHAFT Z-24 (HARDENED AND RIGHT HAND HELIX)	1
5	D10009570.9	GEAR CRANKSHAFT LUBE OIL PUMP DRIVE Z-34	1
6	D10399350.9	SPACER CRANK PULLEY	1
7	D10010030.9	SEAL O RING 3.53X43.60	1
8	D10399340.9	PULLEY CRANKSHAFT B TYPE	1
9	D81500180.9	BOLT M10X1.00X45-10.9P HEX HEAD	3

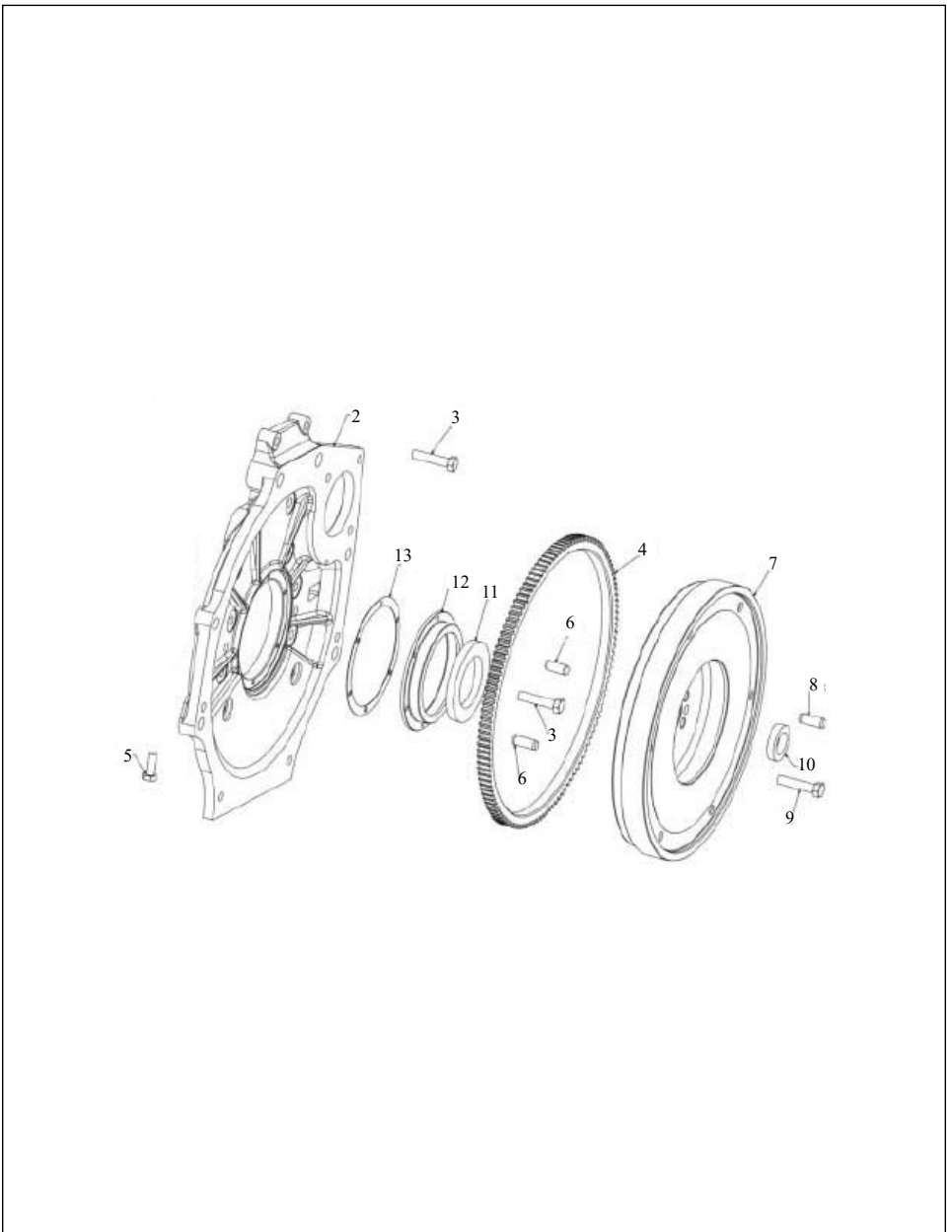
**TABLE-7**  
**PUMP ASSY. WATER, FAN ASSY**



**TABLE-7****PUMP ASSY. WATER, FAN ASSY**

<b>Fig. No.</b>	<b>Part No.</b>	<b>Description</b>	<b>Qty</b>
1	D10008920.9	GASKET WATER PUMP	1
2	D10221980.9	PUMP ASSEMBLY WATER E4.286 TCI	1
3	D10015860.9	CLAMP HOSE WORM DRIVE 35MM	1
4	D10188440.9	CAP WATER PUMP ASSEMBLY	1
5	D86500030.9	WASHER M8 SPRING LOCK	12
6	D81500130.9	BOLT M8X1.25X60-8.8 HEX HEAD	4
7	D10184400.9	PULLEY WATER PUMP B TYPE (E4.286 TCI)	1
8	D81500190.9	BOLT M8X1.25X45-8.8P HEX HEAD	4
10	D10182830.9	FAN ASSEMBLY WATER COOLING DIA 457MM (10 BLADE) E4.286 TCI	1
11	D10180560.9	SPACER CRANK PULLEY	1

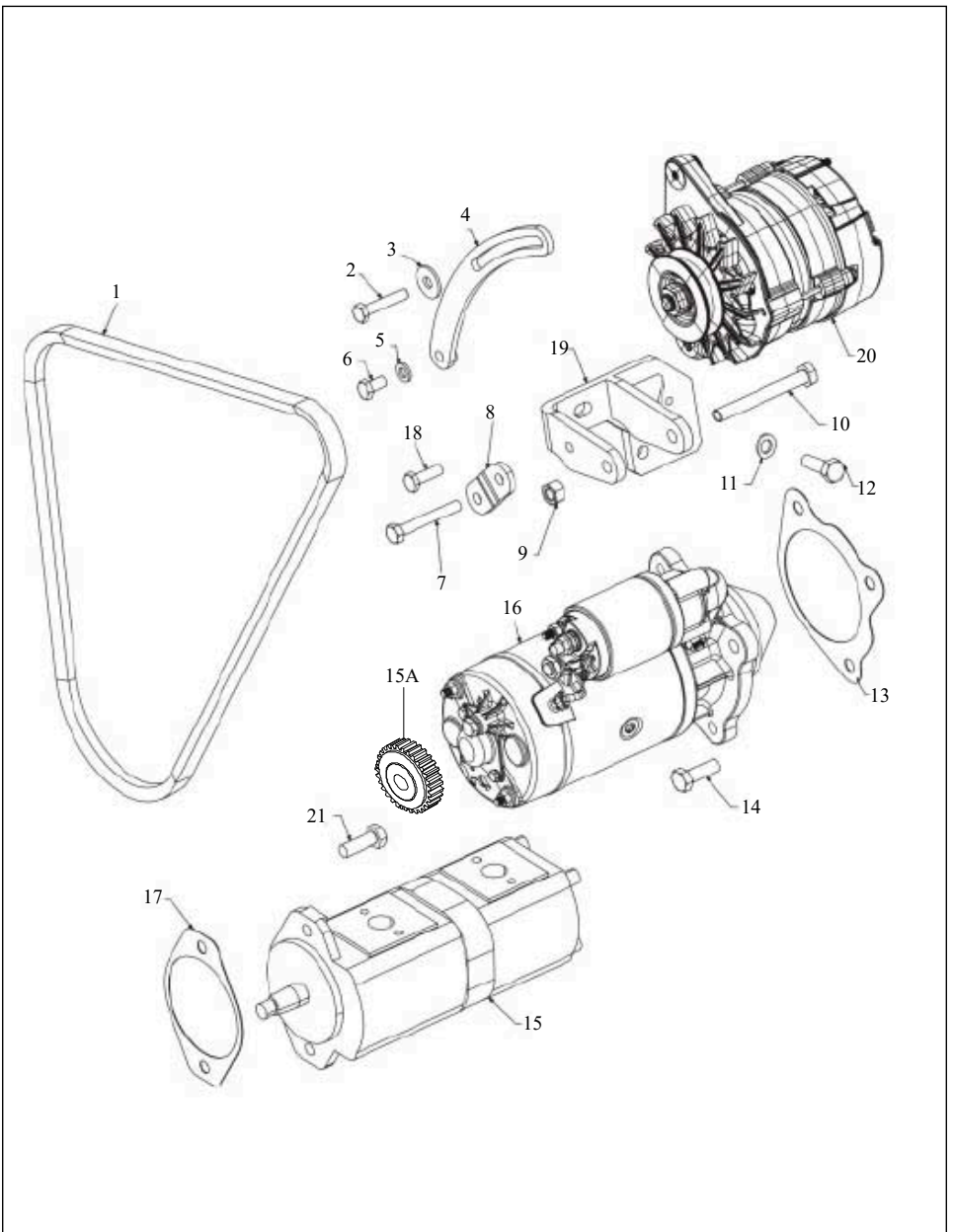
**TABLE-8**  
**FLYWHEEL ASSY**



**TABLE-8**  
**FLYWHEEL ASSY**

Fig. No.	Part No.	Description	Qty
2	D10437040.9	ADAPTER PLATE ENGINE	1
3	D10008440.9	BOLT M12X1.75X36-10.9P HEX HEAD	8
4	D10061470.9	GEAR FLYWHEEL	1
5	D81500200.9	BOLT M10X1.50X20-6.6 HEX HEAD	2
6	D10009830.9	PIN 8X83 PLAIN DOWEL	1
7	D10250500.9	FLYWHEEL ASSEMBLY E4.286 TCI (DUAL CLUTCH)	1
8	D87500080.9	PIN 13X34 PLAIN DOWEL	1
9	D10138160.9	BOLT FLYWHEEL MOUNTING (E4.286 TCI)	6
10	D10009930.9	BEARING 6203 ZZ	1
11	D10009120.9	SEAL OIL CRANKSHAFT REAR (M/S FENNER PART NO 7845)	1
12	D10009130.9	CARRIER CRANKSHAFT REAR OIL SEAL	1
13	D10009140.9	GASKET CRANKSHAFT REAR OIL SEAL CARRIER	1

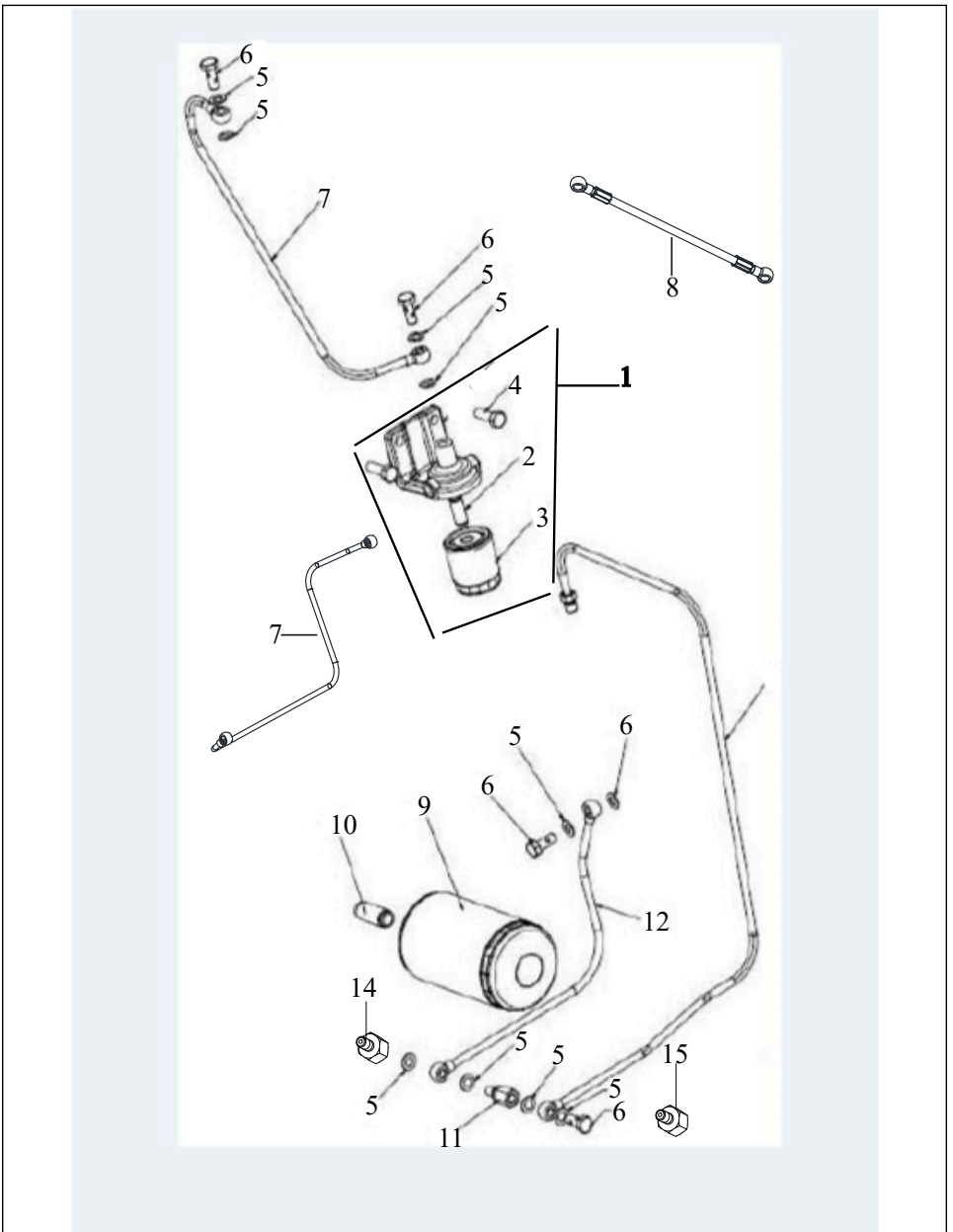
**TABLE-9**  
**HYDRAULIC PUMP, STARTER MOTOR, ALTERNATOR ASSY**



**TABLE-9****HYDRAULIC PUMP, STARTER MOTOR, ALTERNATOR ASSY**

<b>Fig. No.</b>	<b>Part No.</b>	<b>Description</b>	<b>Qty</b>
1	D10184350.9	BELT DRIVE B1275	1
2	D10034600.9	BOLT ADJUSTER	1
4	D10009210.9	LEVER ALTERNATOR ADJUSTING	1
5	D86500030.9	WASHER M8 SPRING LOCK	8
6	D81500110.9	BOLT M8X1.25X20-8.8 HEX HEAD	1
7	D81500130.9	BOLT M8X1.25X60-8.8 HEX HEAD	2
8	D10009180.9	CLAMP ALTERNATOR MOUNTING BRACKET	1
9-1	D83500940.9	NUT M10X1.5-10 HEX FLANGED (WHITE PASSIVATED)	1
10	D81501240.9	BOLT M10X1.50X85-6.6 HEX HEAD	1
11	D86500050.9	WASHER M10 SPRING LOCK	1
12	D82500110.9	SCREW M10X1.50X25-6.8 HEX HEAD	1
13	D95010830.9	LOCTITE 5060	1
15	D10104180.9	PUMP ASSEMBLY HYDRAULIC LIFT OIL (TANDEM)	1
15A	D10376270.9	GEAR HYDRAULIC LIFT PUMP DRIVE	1
16	D10104190.9	STARTER MOTOR ASSEMBLY LUCAS M127 (2.8KW)	1
17	D10013800.9	GASKET HYDRAULIC PUMP	1
18	D82500060.9	SCREW M8X1.25X30-8.8 HEX HEAD	2
19	D10194350.9	BRACKET ASSEMBLY ALTERNATOR MOUNTING	1
20	D10197190.9	ALTERNATOR ASSEMBLY 55 AMPERE (B TYPE PULLEY)	1

**TABLE-10**  
**FILTERS**

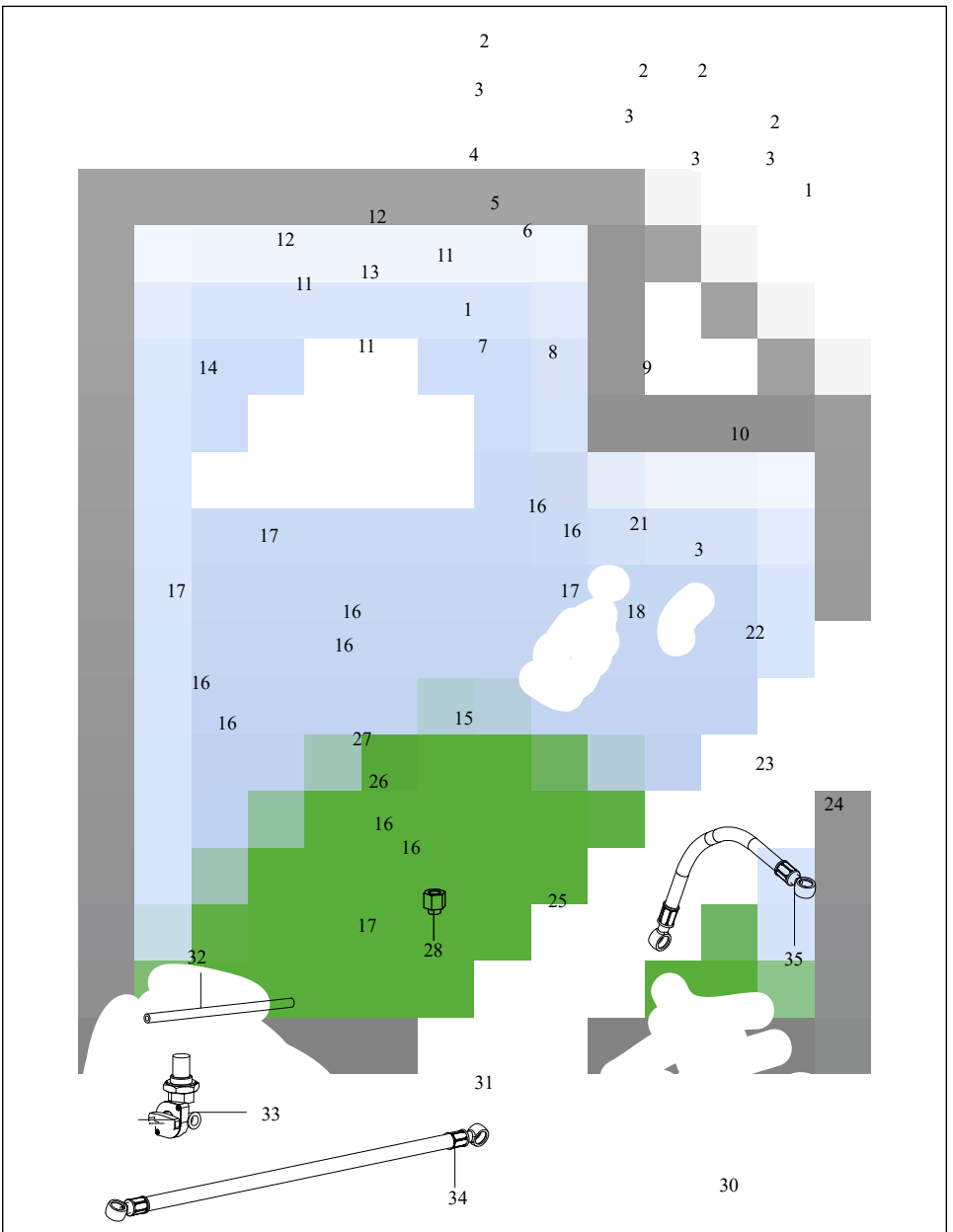




**TABLE-10**  
**FILTERS**

<b>Fig. No.</b>	<b>Part No.</b>	<b>Description</b>	<b>Qty</b>
1	D10215760.9	FILTER AND BRACKET ASSEMBLY SECONDARY (E4.286 TCI)	1
2	D10239650.9	ADOPTER LUBE OIL FILTER	1
3	D10198880.9	FILTER ASSEMBLY SECONDARY FOR TURBOCHARGER	1
4	D81500060.9	BOLT M10X1.50X30-8.8 HEX HEAD	2
5	D85500010.9	WASHER M10 FLAT	10
6	D10034530.9	BOLT PIPE UNION M10X1.00 HEX HEAD	4
7	D10244850.9	PIPE OUTLET SECONDARY OIL FILTER TO TURBOCHARGER (E4.286TCI BHARAT TREM 3A)	1
8	D10322920.9	PIPE ASSEMBLY LIVE LUBRICATION (FLEXIBLE)	1
9	D10174110.9	FILTER ASSEMBLY ENGINE LUBE OIL (E4.286 TCI)	1
10	D10248390.9	INSERT OIL FILTER MOUNTING	1
11	D10156180.9	ADAPTER F I PUMP LIVE LUBRICATION	1
12	D10244840.9	PIPE INLET SECONDARY OIL FILTER (E4.286TCI BHARAT TREM 3A)	1
13	D10215760.9	FILTER AND BRACKET ASSEMBLY SECONDARY (E4.286 TCI)	1
14	D10207880.9	ADAPTER OIL PRESSURE SWITCH ENGINE	1
15	D10033390.9	ADAPTER COMPRESSOR PIPE	1

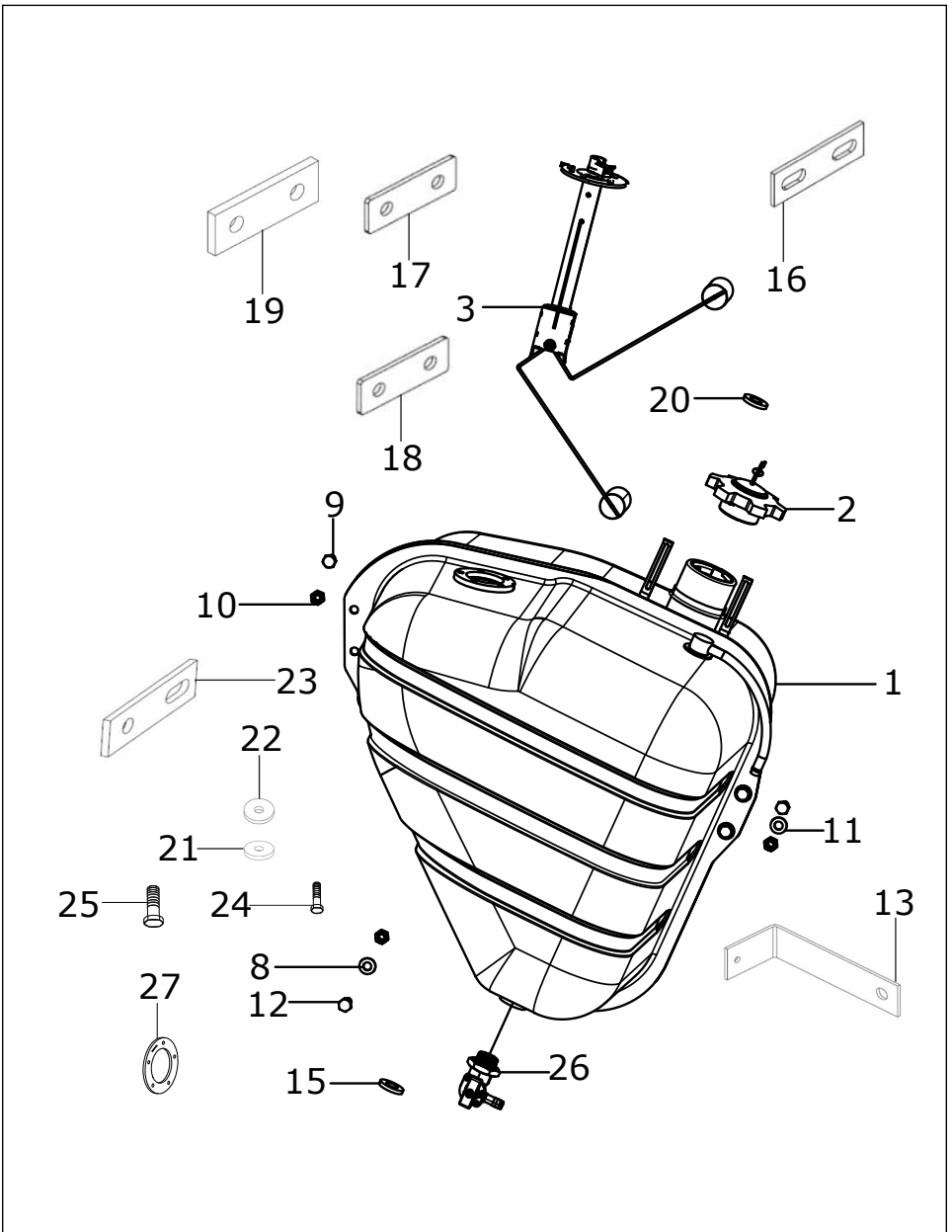
**TABLE-11**  
**TUBES, INJECTORS, FIP**



**TABLE-11**  
**TUBES, INJECTORS, FIP**

Fig. No.	Part No.	Description	Qty
1	D10135670.9	TUBE ASSEMBLY FUEL INJECTION LEAK OFF (E4.286)	1
2	D83500060.9	NUT M8X1.25-6 HEX	4
3	D86500030.9	WASHER M8 SPRING LOCK	8
4	D10022030.9	CLAMP FUEL INJECTOR NOZZLE HOLDER	4
5	D10039010.9	STUD INJECTOR M8X51	4
6	D10191520.9	INJECTOR ASSEMBLY FUEL 8MM LIFT BHARAT TREM 3 (MICO PART NO E083307600)	4
7	D10226040.9	TUBE ASSEMBLY FUEL INJECTION CYLINDER NO 4 (E4.286 INLINE)	1
8	D10226030.9	TUBE ASSEMBLY FUEL INJECTION CYLINDER NO 3 (E4.286 INLINE)	1
9	D10226020.9	TUBE ASSEMBLY FUEL INJECTION CYLINDER NO 2 (E4.286 INLINE)	1
10	D10226010.9	TUBE ASSEMBLY FUEL INJECTION CYLINDER NO 1 (E4.286 INLINE)	1
11	D85500060.9	WASHER M12 FLAT	4
12	D81500630.9	BOLT M12X1.50 HEX HEAD PIPE UNION	2
13	D10383870.9	TUBE ASSEMBLY FUEL TANK RETURN	1
14	D10515530.9	HOSE ASSEMBLY FUEL FEED PUMP TO FUEL FILTER	1
15	D10370070.9	PUMP ASSEMBLY FUEL INJECTION INLINE WITHOUT LDA (E4.286TCI 65 HP)	1
16	D10015190.9	WASHER 14.2X18 FLAT COPPER	8
17	D10206320.9	BOLT PIPE UNION M10X1.25 HEX HEAD	4
18	D10156710.9	HUB FUEL INJECTION PUMP 20MM CONE	1
21	D81500030.9	BOLT M8X1.25X35-6.6 HEX HEAD	4
22	D10424640.9	GEAR FUEL INJECTION PUMP (RH HELIX)	1
23	D10009600.9	WASHER 8.5X22 FLAT PHOSPHATED	4
24	D81500110.9	BOLT M8X1.25X20-8.8 HEX HEAD	3
25	D10515490.9	TUBE AND HOSE ASSEMBLY FUEL FILTER TO FUEL INJECTION PUMP	1
26	D10015140.9	FILTER ASSEMBLY FUEL (MICO PART NO 9450030120)	1
27	D81500060.9	BOLT M10X1.50X30-8.8 HEX HEAD	2
28	D10227930.9	ADOPTER ASSEMBLY FUEL INJECTION PUMP OVERFLOW	1
30	D10035000.9	SEPARATOR ASSEMBLY WATER	1
31	D10348880.9	HOSE ASSEMBLY FUEL TANK TO FUEL WATER SEPARATOR	1
32	D10026170.9	TUBE NYLON THERMOSTAT	1
33	D10160370.9	TAP AND SCREEN ASSEMBLY FUEL CONTROL	1
34	D10496220.9	HOSE ASSEMBLY WATER SEPARATOR TO FEED PUMP	1
35	D10671090.9	HOSE ASSEMBLY FUEL FEED PUMP TO FUEL FILTER	1

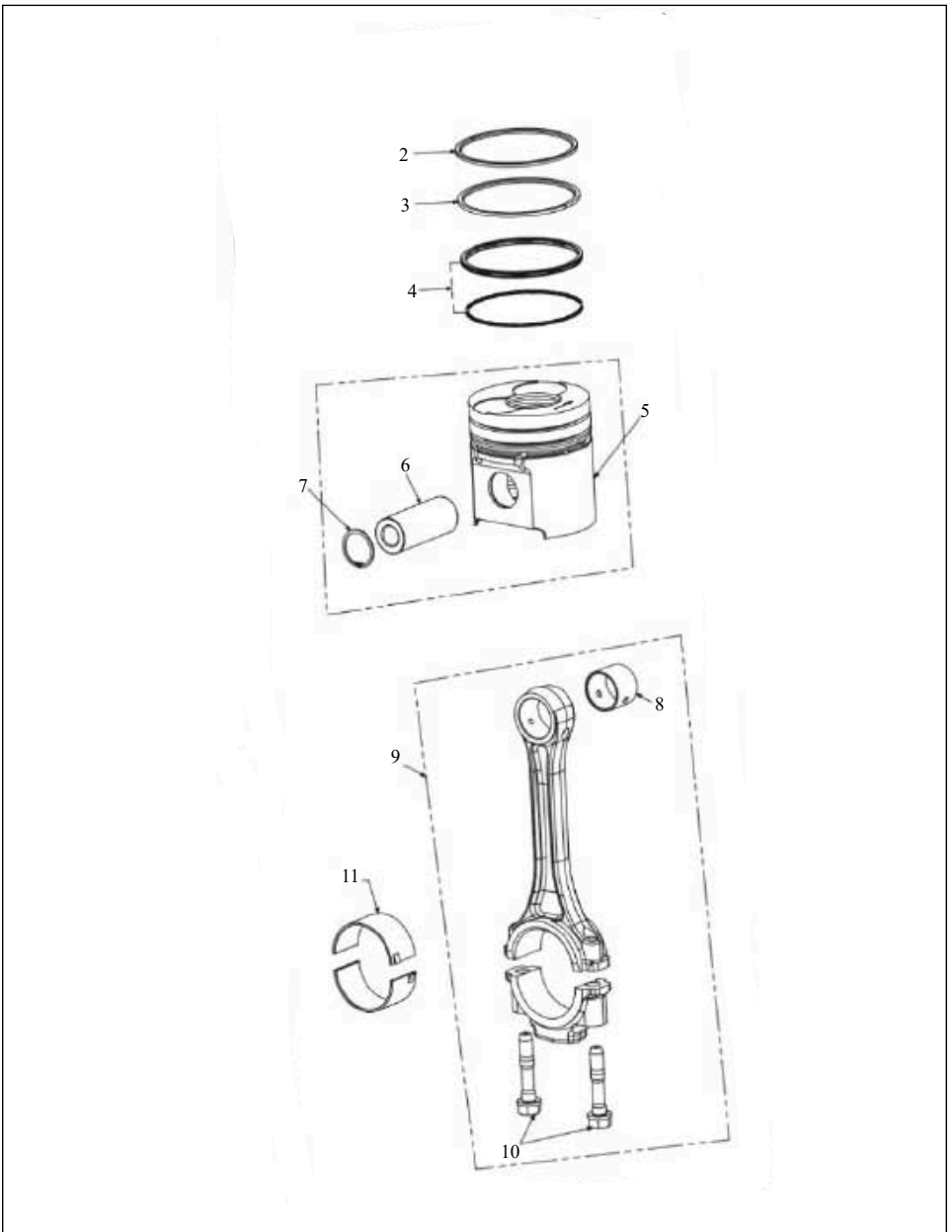
**TABLE-12**  
**FUEL TANK SUBASSEMBLY**



**TABLE-12****FUEL TANK SUBASSEMBLY**

<b>Fig. No.</b>	<b>Part No.</b>	<b>Description</b>	<b>Qty</b>
1	D10401680.9	TANK ASSEMBLY FUEL	1
2	D10019100.9	CAP AND KEY ASSEMBLY FUEL TANK	1
3-1	D10042440AG.9	FLOAT ASSEMBLY FUEL TANK (PRICOL PART NO 806650)	1
8	D85000040.9	WASHER 5/16" FLAT	6
9	D81000420.9	BOLT 5/16"-18X0.88" HEX HEAD	4
10	D83000080.9	NUT 5/16"-18 HEX	3
11	D86000110.9	WASHER 5/16" LOCK EXTERNAL TOOTH	2
12	D81000670.9	BOLT 5/16"-24X1.25" SQUARE HEAD	1
13	D10043110.9	BRACKET FOOT THROTTLE	1
15	D10003580.9	WASHER 1/2" FLAT	4
16	D10378250.9	PLATE PAD RUBBER SUPPORT FUEL TANK UPPER FRONT	2
17	D10401650.9	PLATE SUPPORT RUBBER PAD FUEL TANK	2
18	D10401670.9	PAD RUBBER FRONT FUEL TANK	1
19	D10401660.9	PAD RUBBER REAR FUEL TANK	1
20	D86500180.9	WASHER 8.5X30 FLAT	1
21-1	D10375010AE.9	PAD RUBBER FUEL TANK BOTTOM RH	1
22	D10375020.9	PAD RUBBER FUEL TANK BOTTOM LH	1
23-1	D10432870AD.9	PAD RUBBER FUEL TANK MOUNTING	1
24	D81501390.9	BOLT M8X40 SQUARE HEAD	1
25	D10068840.9	BOLT M8X1.25X30-8.8 HEX HEAD	2
26	D10160370.9	TAP AND SCREEN ASSEMBLY FUEL CONTROL	1
27	D10021980.9	GASKET FUEL TANK SENDER	1

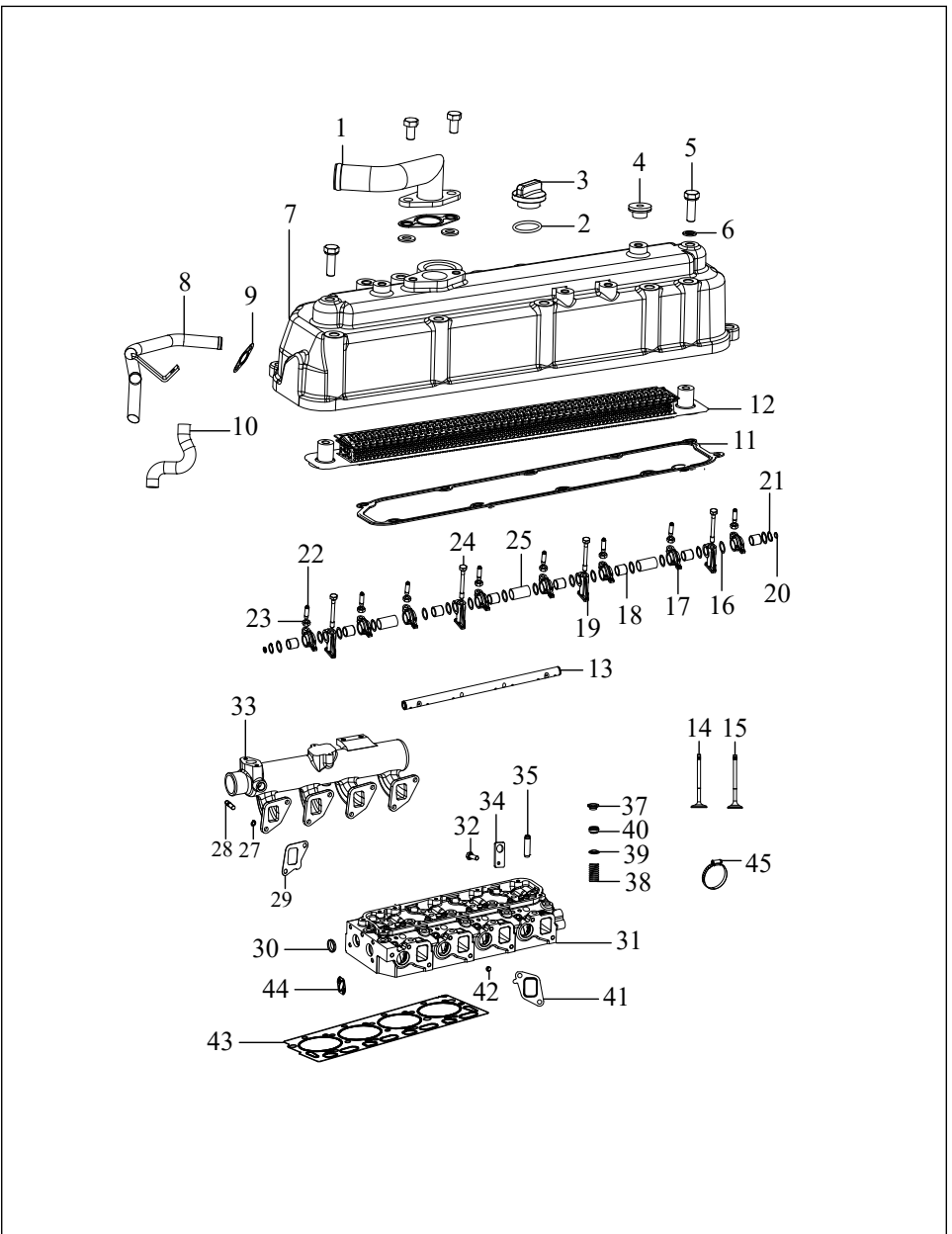
**TABLE-13**  
**PISTON & CONNECTING ROD ASSY**



**TABLE-13****PISTON & CONNECTING ROD ASSY**

<b>Fig. No.</b>	<b>Part No.</b>	<b>Description</b>	<b>Qty</b>
2	D10009750.9	RING PISTON COMPRESSION UPPER	4
3	D10009740.9	RING PISTON COMPRESSION LOWER	4
4	D10009730.9	RING ASSEMBLY PISTON OIL CONTROL	4
5	D10234830.9	PISTON 91MM (E4.286)	4
6	D10009760.9	PIN PISTON E3.215	4
7	D90500050.9	CIRCLIP B28X1.2 N	8
8	D10114420.9	BUSH CONNECTING ROD SMALL END E4.286	4
9	D10360930.9	ROD AND CAP ASSEMBLY CONNECTING E4.286 TCI	4
10	D10212500.9	BOLT M10X1.25X52-10.9 CONNECTING ROD	4
11	D10009670.9	BEARING CONNECTING ROD	8

**TABLE-14**  
**INTAKE MANIFOLD, CYL. HEAD ASSY**

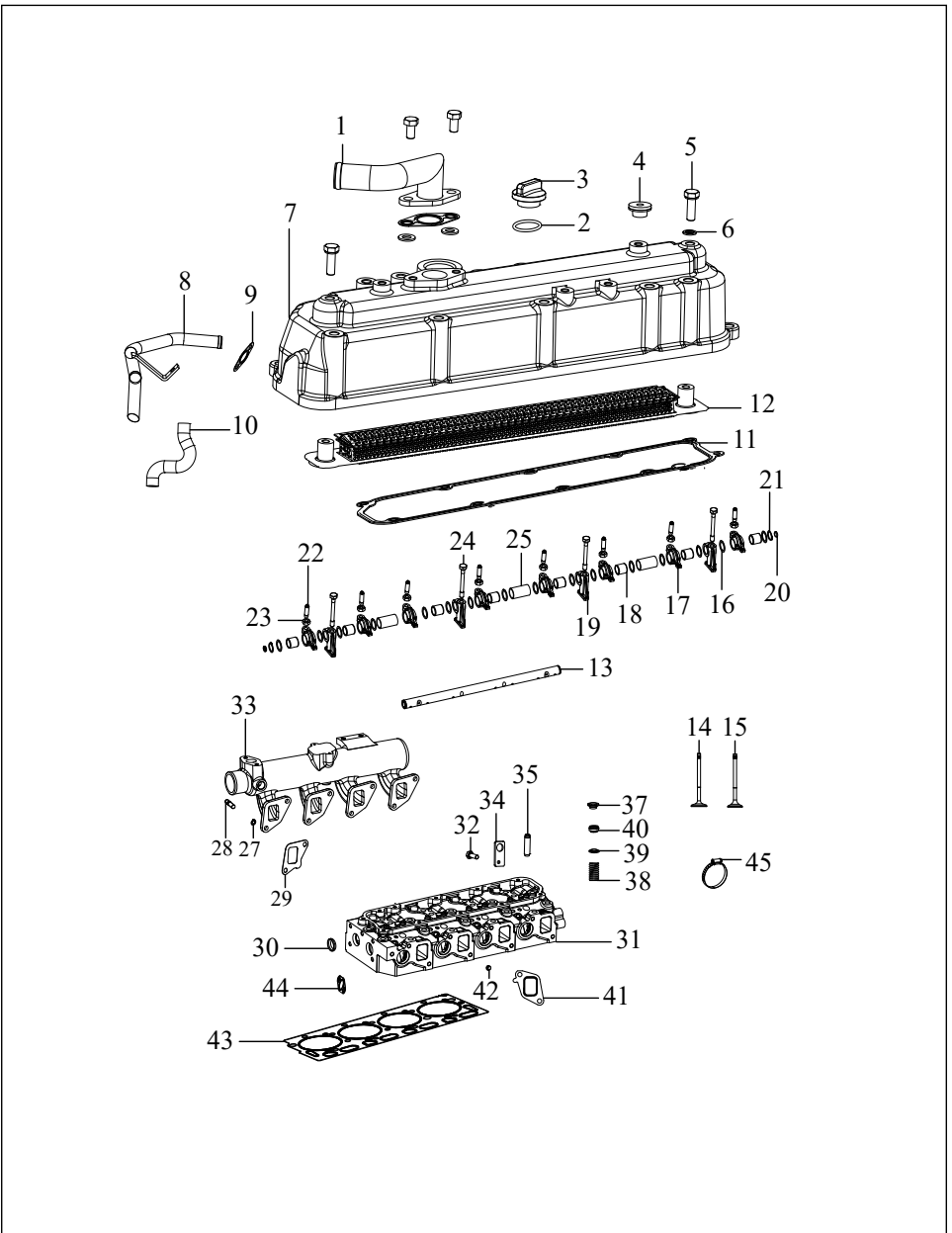




**TABLE-14****INTAKE MANIFOLD, CYL. HEAD ASSY**

<b>Fig. No.</b>	<b>Part No.</b>	<b>Description</b>	<b>Qty</b>
1-1	D10309980.9	TUBE ROCKER COVER CRANKCASE VENTILATION	1
2	D10010020.9	SEAL O RING 3.00X28.00	1
3	D10008940.9	CAP OIL FILLING CYLINDER HEAD COVER	1
4	D10008950.9	SEAL WASHER 28MM	4
5	D82500140.9	SCREW M8X1.25X25-6.6P HEX HEAD	4
6	D10008980.9	SEAL METAL BONDED	2
7	D10312440.9	COVER CYLINDER HEAD E4.286 NA	1
8	D10320900.9	TUBE ROCKER COVER BLOW BY E4.286 TCI	1
9	D10183950.9	GASKET TUBE ROCKER COVER E4.286 TCI	1
10	D10182820.9	HOSE TIMING GEAR COVER TUBE TO ROCKER COVER TUBE E4.286 TCI	1
11	D10239270.9	GASKET CYLINDER HEAD COVER (E4.286)	1
12	D10433080.9	BAFFLE ASSEMBLY CYLINDER HEAD OIL PROTECTION	1
13	D10134800.9	SHAFT ASSEMBLY ROCKER ARM E4.286	1
14	D10008730.9	VALVE AIR INTAKE 37.9MM GAUGE	4
15	D10008720.9	VALVE EXHAUST 35MM GAUGE	4
16	D10008830.9	WASHER ROCKER ARM SHAFT	16
17	D10189570.9	ARM ROCKER VALVE E3.215	8
18	D10009060.9	BUSH ROCKER ARM	1
19	D10008570.9	BRACKET ROCKER ARM SHAFT E3.215	4
20	D10105240.9	PLUG 14MM WELCH	2
21	D90000060.9	CIRCLIP A22X1.2 N	2
22	D10009030.9	SCREW M10X1.00 ROCKER ARM ADJUSTING	8
23	D83500080.9	NUT M10X1.00-8 HEX	8
24	D10177980.9	BOLT ROCKER ARM BRACKET	4
25	D10008560.9	SPACER ROCKER ARM SHAFT E3.215	3
26-1	D83500940.9	NUT M10X1.5-10 HEX FLANGED (WHITE PASSIVATED)	10
27	D86500050.9	WASHER M10 SPRING LOCK	10
28	D84500020.9	STUD B M10X26-6.8 ZINC PASSIVATED	10
29	D10008670.9	GASKET ENGINE AIR INTAKE MANIFOLD	4
30	50.10148.9	WLECH PLUG	5
31	D10309940.9	HEAD ASSEMBLY CYLINDER WITHOUT VALVE E4.286 TCI	1
32	D82500150.9	SCREW M10X1.50X25-8.8 HEX HEAD	1
33	D10161800.9	MANIFOLD ASSEMBLY ENGINE AIR INTAKE (E4.286 TIER 3)	1
34	D10008600.9	PLATE HOOK ENGINE LIFTING	1
35	D10049520.9	GUIDE ENGINE VALVE (E-430/435)	8
36	D10008690.9	LOCK VALVE SPRING DISC	16
37	D10115020.9	RETAINER VALVE SPRING E4.286 TURBO CHARGED/TCI	8
38	D10139630.9	SPRING VALVE E4.286 TURBO CHARGED/TCI	8
39	D10115010.9	SEAT VALVE SPRING E4.286	8
40	D10008740.9	SEAL VALVE STEM 8MM DIAMETER (M/S FENNER PART NO 7935)	8

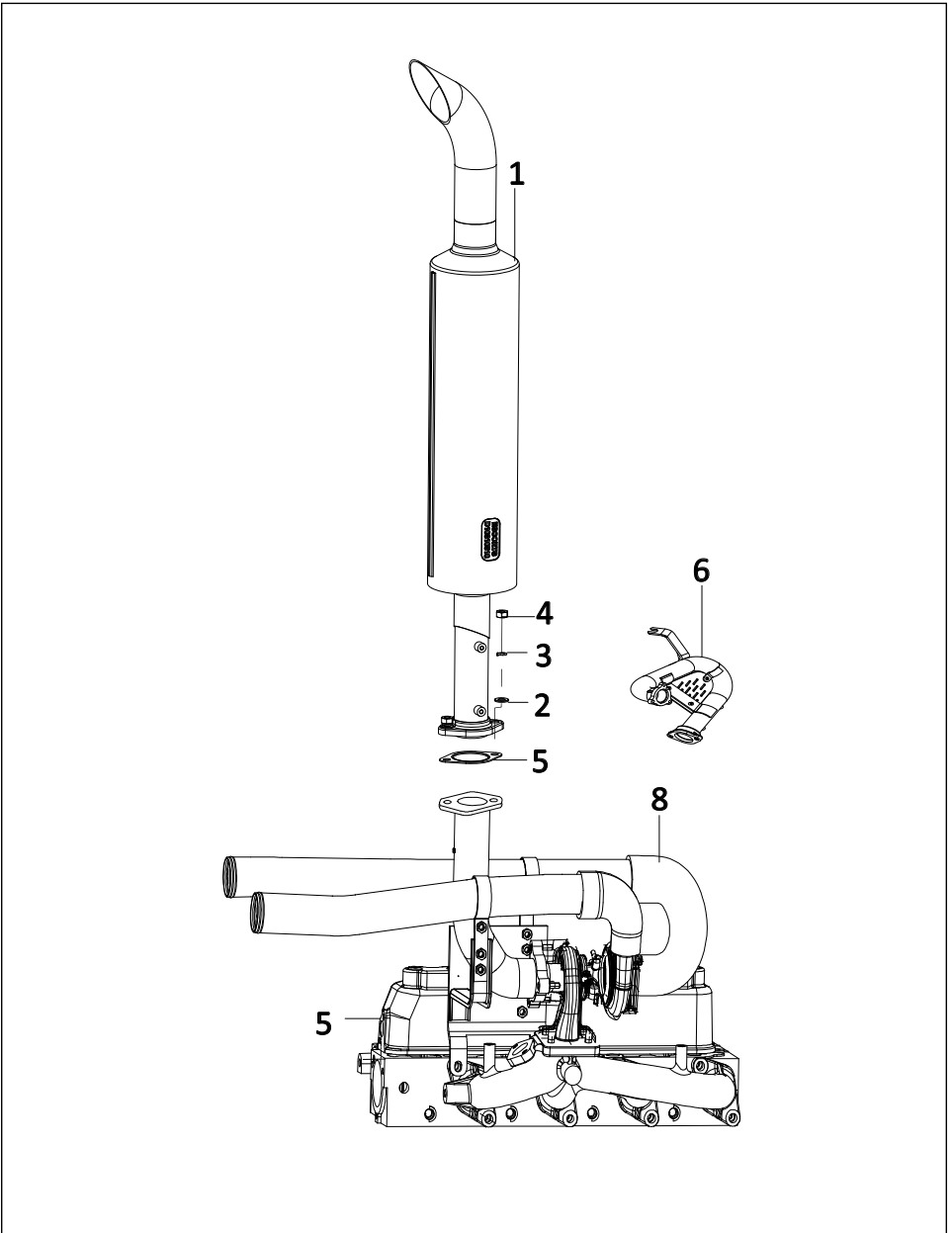
**TABLE-14**  
**INTAKE MANIFOLD, CYL. HEAD ASSY**



**TABLE-14****INTAKE MANIFOLD, CYL. HEAD ASSY**

<b>Fig. No.</b>	<b>Part No.</b>	<b>Description</b>	<b>Qty</b>
41	D10008650.9	GASKET EXHAUST MANIFOLD	4
42	D10035650.9	PLUG OIL GALLERY	5
43	D10119170.9	GASKET ASSEMBLY CYLINDER HEAD E4.286 TC AND TCI (NON ASBESTOS)	1
44	D10309530.9	GASKET TUBE ROCKER COVER	1
45	D10046730.9	CLAMP ASSEMBLY INTAKE MANIFOLD FT80	1

**TABLE-15**  
**EXHAUST SYSTEM SUBASSEMBLY**

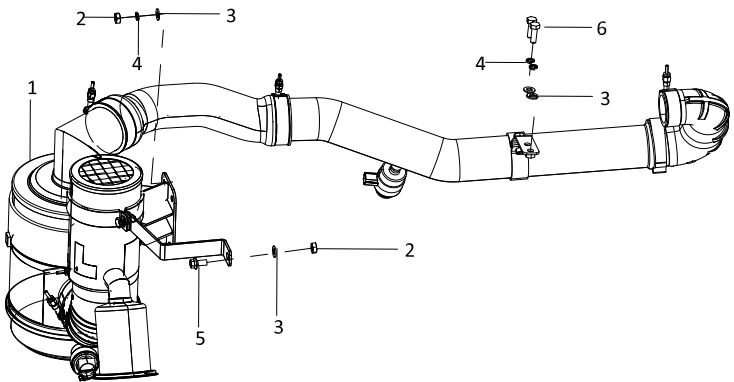


**TABLE-15****EXHAUST SYSTEM SUBASSEMBLY**

<b>Fig. No.</b>	<b>Part No.</b>	<b>Description</b>	<b>Qty</b>
1	D10310510.9	MUFFLER ASSEMBLY VERTICAL	1
2	D85500010.9	WASHER M10 FLAT	2
3	D86500050.9	WASHER M10 SPRING LOCK	2
4-1	D83500940.9	NUT M10X1.5-10 HEX FLANGED (WHITE PASSIVATED)	2
5-1	D10016120AE.9	GASKET MUFFLER INLET	1
6	D10308470.9	PIPE ASSEMBLY EXHAUST MANIFOLD	1
7	D10279690.9	BRACKET SUPPORT EXHAUST ELBOW	1
8	D10243500.9	HOSE TURBOCHARGER INTAKE PIPE	1

**TABLE-16**

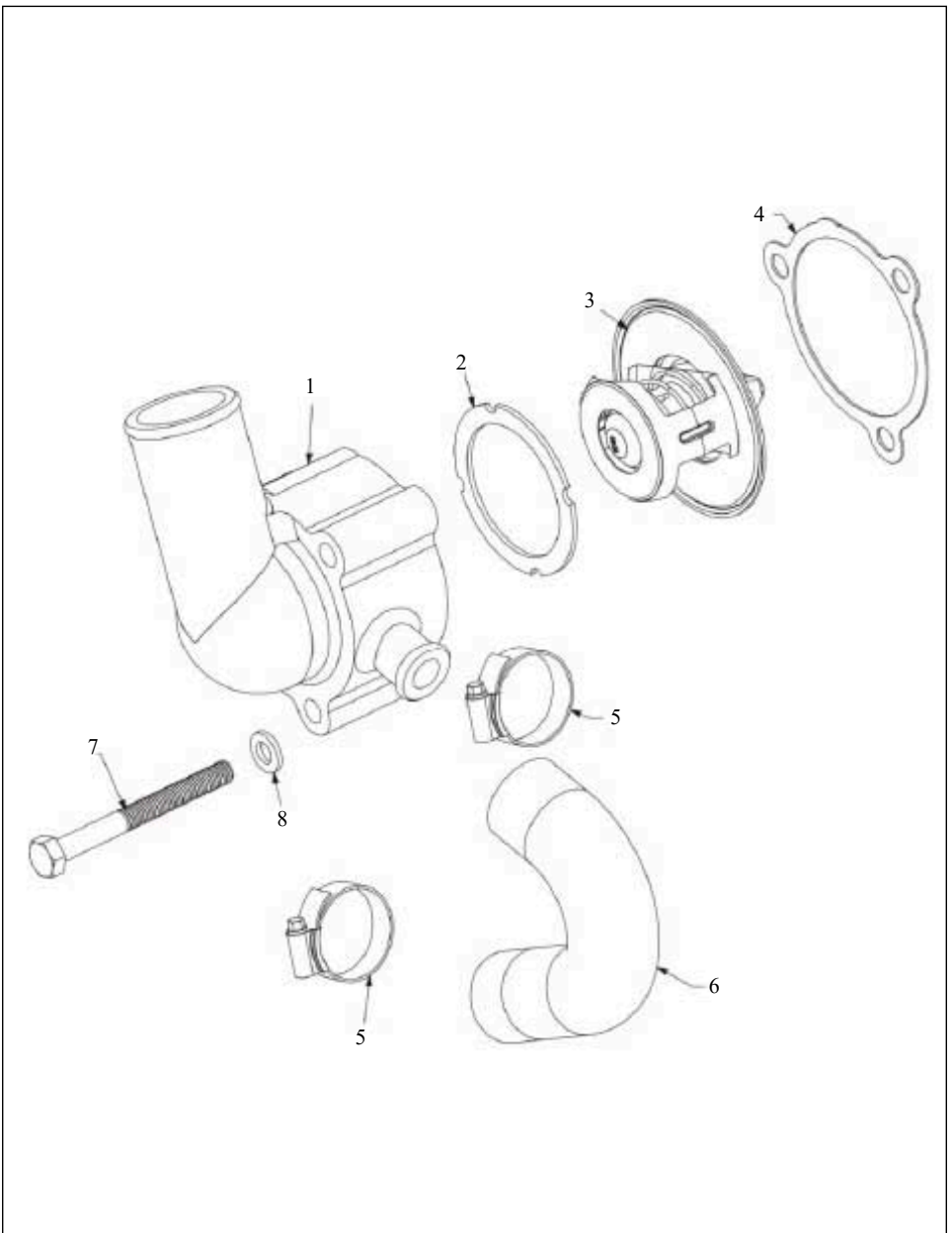
**AIR CLEANER ASSY, INTERCOOLER & HOSES**



**TABLE-16****AIR CLEANER ASSY, INTERCOOLER & HOSES**

<b>Fig. No.</b>	<b>Part No.</b>	<b>Description</b>	<b>Qty</b>
1	D10344940.9	CLEANER ASSEMBLY ENGINE AIR (DRY TYPE)	1
2	D83500060.9	NUT M8X1.25-6 HEX	5
3-1	D86500030.9	WASHER M8 SPRING LOCK	7
4	D86500030.9	WASHER M8 SPRING LOCK	6
5	D81501580.9	BOLT M8X1.25X16 HEX HEAD FLANGED	1
6	D81500590.9	BOLT M8X1.25X25-6.6 HEX HEAD	2

**TABLE-17**  
**THERMOSTAT**

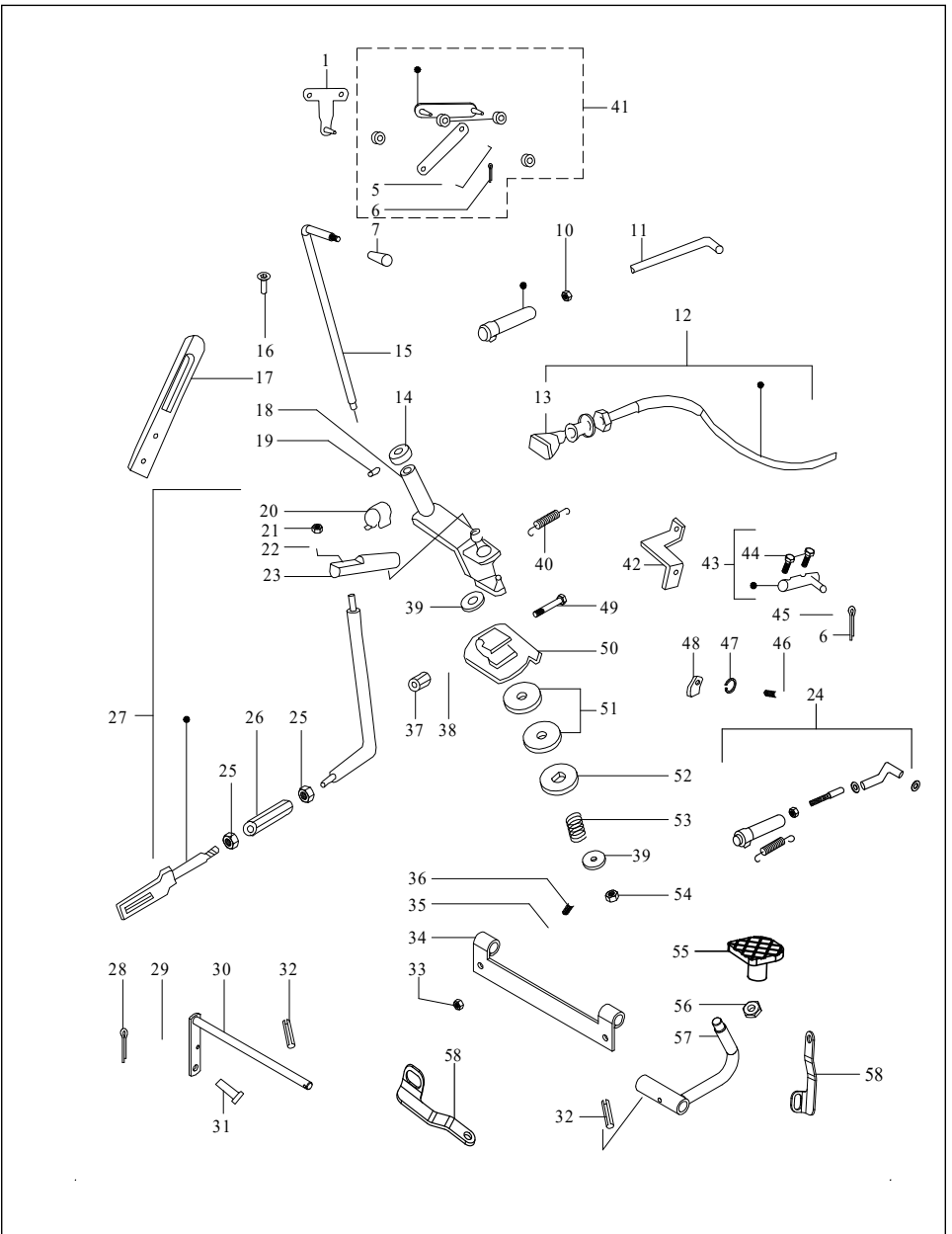




**TABLE-17**  
**THERMOSTAT**

<b>Fig. No.</b>	<b>Part No.</b>	<b>Description</b>	<b>Qty</b>
1	D10250660.9	HOUSING THERMOSTAT (ECEL)	1
2	D10013760.9	RING THERMOSTAT SEALING	1
3	D10250470.9	THERMOSTAT ASSEMBLY ENGINE COOLING	1
4	D10035810.9	GASKET WATER OUTLET	1
5	D10013970.9	CLAMP HOSE 35A	2
6	D10013780.9	HOSE WATER PUMP TO THERMOSTAT HOUSING	1
7	D81500260.9	BOLT M8X1.25X55-6.6P HEX HEAD	3
8	D86500030.9	WASHER M8 SPRING LOCK	3

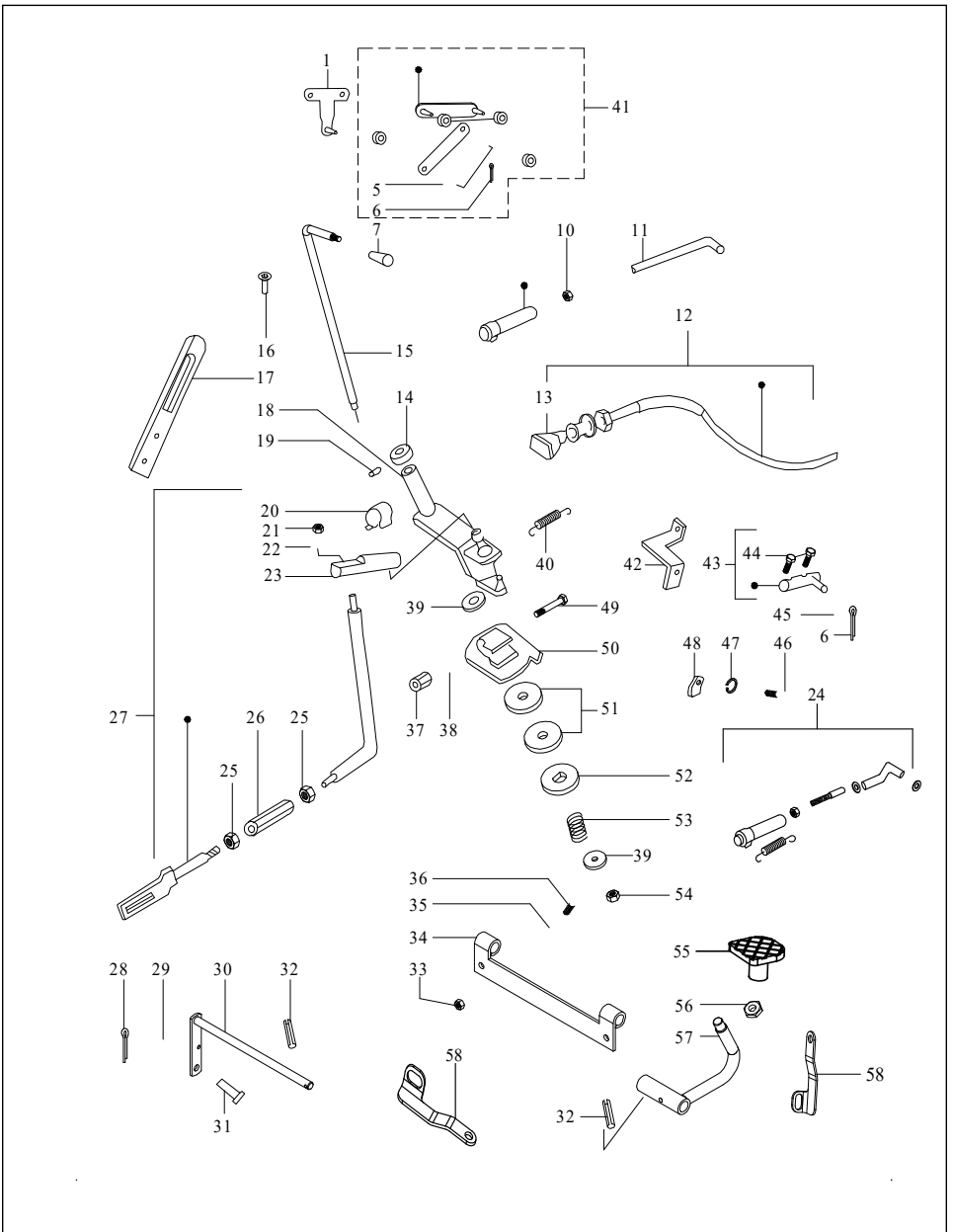
**TABLE-18**  
**THROTTLE AND ACCELERATION CONTROL**



**TABLE-18**  
**THROTTLE AND ACCELERATION CONTROL**

Fig. No.	Part No.	Description	Qty
1	D10017710.9	BRACKET ASSEMBLY FUEL SHUT OFF	1
5	D85000030.9	WASHER 1/4" FLAT	2
6	D10000640.9	PIN 1/16"X0.50" COTTER	5
7	D10042450.9	KNOB	1
10	D81000400.9	NUT 1/4"-28 HEX	1
11	D10223700.9	ROD ASSEMBLY THROTTLE CONTROL	1
12-1	D10017670AF.9	CONTROL ASSEMBLY FUEL SHUT OFF	1
13	D10015940.9	KNOB FUEL SHUT OFF ROD	1
14	D10017970.9	STOP THROTTLE CONTROL LEVER	1
15	D10042510.9	LEVER ASSEMBLY HAND THROTTLE	1
16	D10026540.9	GROMMET HAND THROTTLE CONTROL LEVER	1
17	D10043100.9	GUIDE FOOT ACCELERATOR	1
18	D10019090.9	ARM ASSEMBLY HAND THROTTLE CONTROL	1
19	D81500300.9	BOLT M5X0.80X8-9.8 HEX HEAD	1
20	D10019070.9	LOCK THROTTLE LEVER	1
21	D83500220.9	NUT M6X1.00-5 HEX	1
22	D85500040.9	WASHER M6 FLAT	1
23	D10103600.9	CONNECTOR ASSEMBLY THROTTLE CONTROL ROD	1
24	D10522200.9	ARM ASSEMBLY ACCELERATOR CONTROL	1
25	D83500230.9	NUT M8X1.25-5 HEX	2
26	D10103620.9	COUPLER ACCELERATOR CONTROL	1
27	D10043090.9	LINK ASSEMBLY ACCELERATOR CONTROL	1
28	D10013450.9	PIN 3/32"X0.75" COTTER	1
29	D85000010.9	WASHER 3/8" FLAT	1
30	D10103590.9	ARM ACCELERATOR CONTROL	1
31	D10017560.9	PIN 3/8"X13/16" CLEVIS	1
32	D87000110.9	PIN 6X25 SPRING DOWEL	2
33	D81000400.9	NUT 1/4"-28 HEX	2
34	D10043110.9	BRACKET FOOT THROTTLE	1
35	D85000030.9	WASHER 1/4" FLAT	2
36	D81000390.9	BOLT 1/4"-28X0.62" HEX HEAD	2
37	D10019410.9	NUT 5/16"-24 HEX	1
38	D10018690.9	WASHER 5/16" FLAT	1
39	D85000050.9	WASHER 3/8" FLAT	1
40	D10012750.9	SPRING FOOT ACCELERATOR PEDAL	1
41	D10227990.9	LINKAGE ASSEMBLY THROTTLE CONTROL	1
42	D10017710.9	BRACKET ASSEMBLY FUEL SHUT OFF	1
43	D10011820.9	END ASSEMBLY FUEL SHUT OFF LEVER	1
44	D82000100.9	SCREW	2
45	D10011810.9	WASHER FIP SHUT OFF LEVER	1

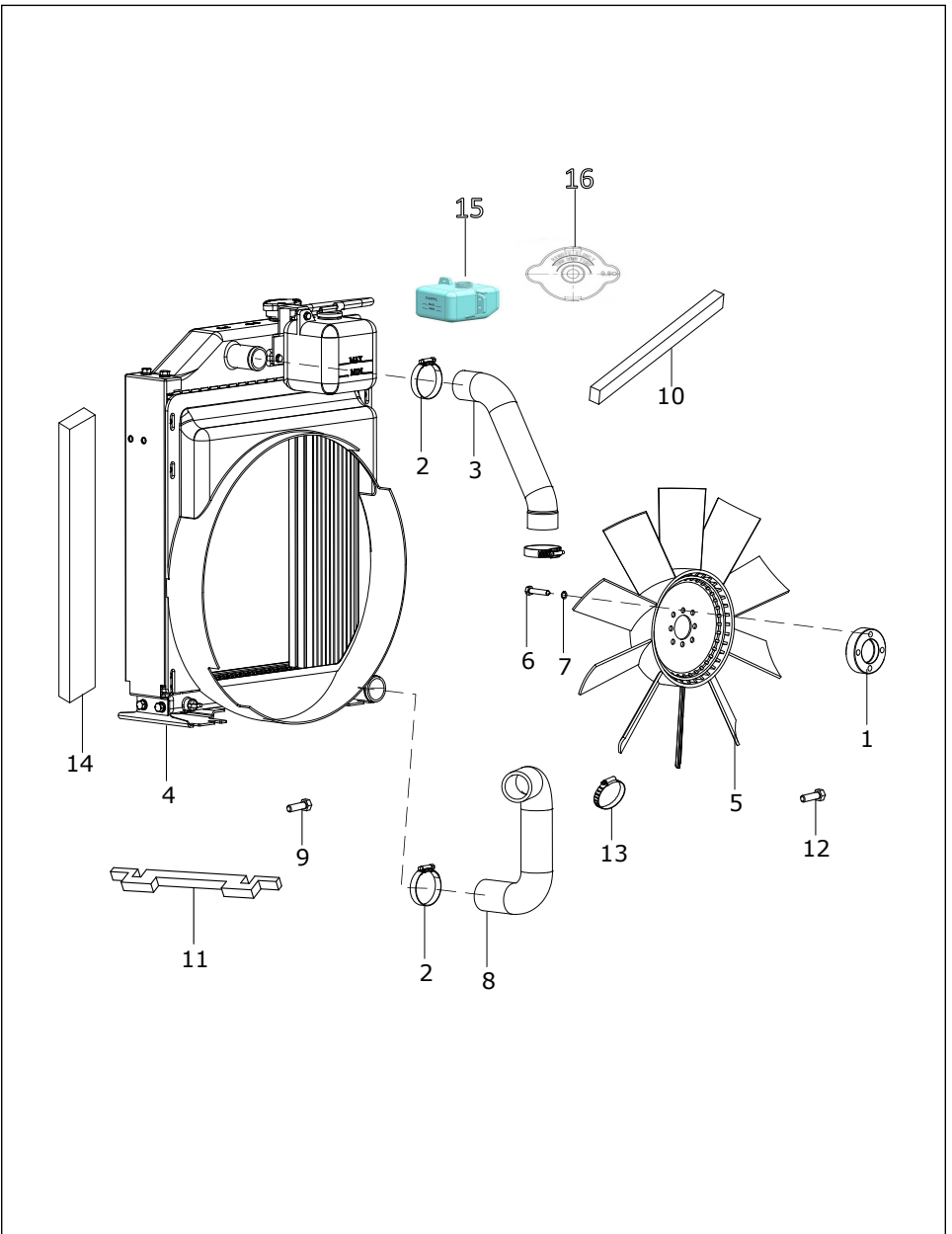
**TABLE-18**  
**THROTTLE AND ACCELERATION CONTROL**



**TABLE-18****THROTTLE AND ACCELERATION CONTROL**

<b>Fig. No.</b>	<b>Part No.</b>	<b>Description</b>	<b>Qty</b>
46	D82000020.9	SCREW #10-24X0.44" HEX HEAD	1
47	D86000080.9	WASHER #10 SPRING LOCK	1
48	D10017350.9	CLAMP FUEL SHUT OFF CABLE	1
49	D81000670.9	BOLT 5/16"-24X1.25" SQUARE HEAD	1
50	D10017990.9	PLATE ASSEMBLY THROTTLE CONTROL FRICTION DISC	1
51	D10018170.9	DISC THROTTLE CONTROL	2
52	D10021590.9	PLATE ASSEMBLY THROTTLE CONTROL POWER STEERING	1
53	D10016480.9	SPRING GOVERNOR MANUAL CONTROL LEVER	1
54	D10016890.9	NUT 3/8"-24 HEX	1
55	D10043430.9	PEDAL DIFFERENTIAL LOCK	1
56	D83500210.9	NUT M10X1.50-5 HEX	1
57	D10043080.9	BRACKET AND PAD ASSEMBLY FOOT ACCELERATOR	1
58	D10280470.9	BRACKET THROTTLE CONTROL CABLE HOLDER FRONT	1

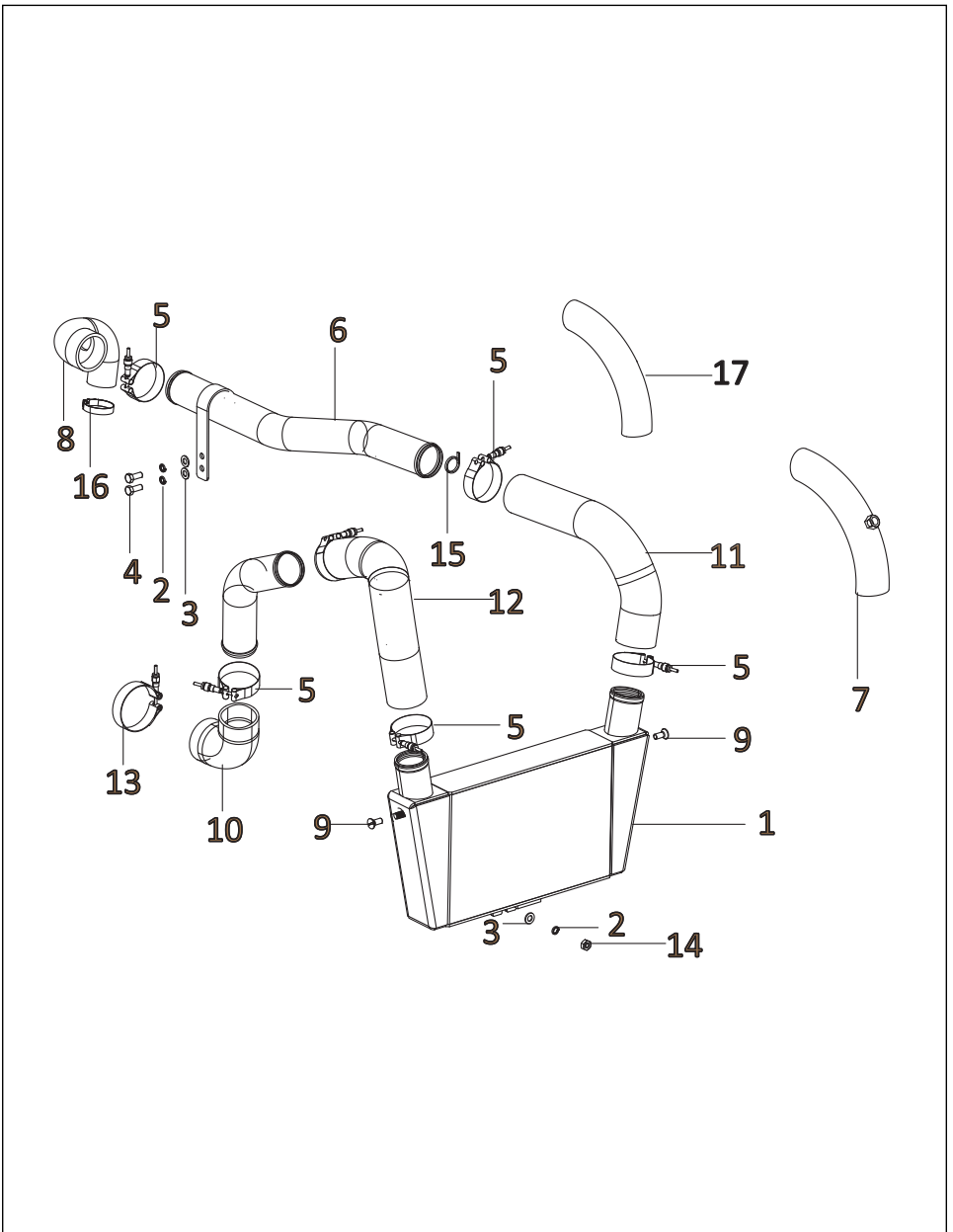
**TABLE-19**  
**COOLING SYSTEM SUBASSEMBLY**



**TABLE-19****COOLING SYSTEM SUBASSEMBLY**

<b>Fig. No.</b>	<b>Part No.</b>	<b>Description</b>	<b>Qty</b>
1	D10318380.9	SPACER FAN WATER COOLING	1
2	D10017540.9	CLAMP RADIATOR HOSE UPPER	4
3	D10174680.9	HOSE WATER PUMP TO RADIATOR OUTLET	1
4	D10451460.9	RADIATOR AND SHROUD ASSEMBLY	1
5	D10182830.9	FAN ASSEMBLY WATER COOLING DIA 457MM (10 BLADE) E4.286 TCI	1
6	D81500330.9	BOLT M8X1.25X40-8.8 HEX HEAD	4
7	D86500030.9	WASHER M8 SPRING LOCK	4
8	D10174670.9	HOSE WATER PUMP TO RADIATOR INLET	1
9	D82500090.9	SCREW M12X1.75X25-6.6 HEX HEAD	2
10	D10292630.9	FOAM SEALING RADIATOR SIDE	2
11	D10308400.9	FOAM SEALING BAFFLE PLATE	1
12	D82500760.9	SCREW M8X1.25X25-12.9 COUNTERSUNK HEAD	6
13-1	D10330480.9	CLAMP HOSE WORM DRIVE 60MM	2
14	D10016300.9	FOAM RADIATOR SEALING SIDE	1
15	D11325170AA.9	BOTTLE RADIATOR RECOVERY	1
16	D10848910.9	CAP PRESSURE 0.9 DOUBLE SEAL WITH CHAIN (M/S COMMERCIAL LTD)	1

**TABLE-20**  
**INTERCOOLER SUBASSEMBLY**

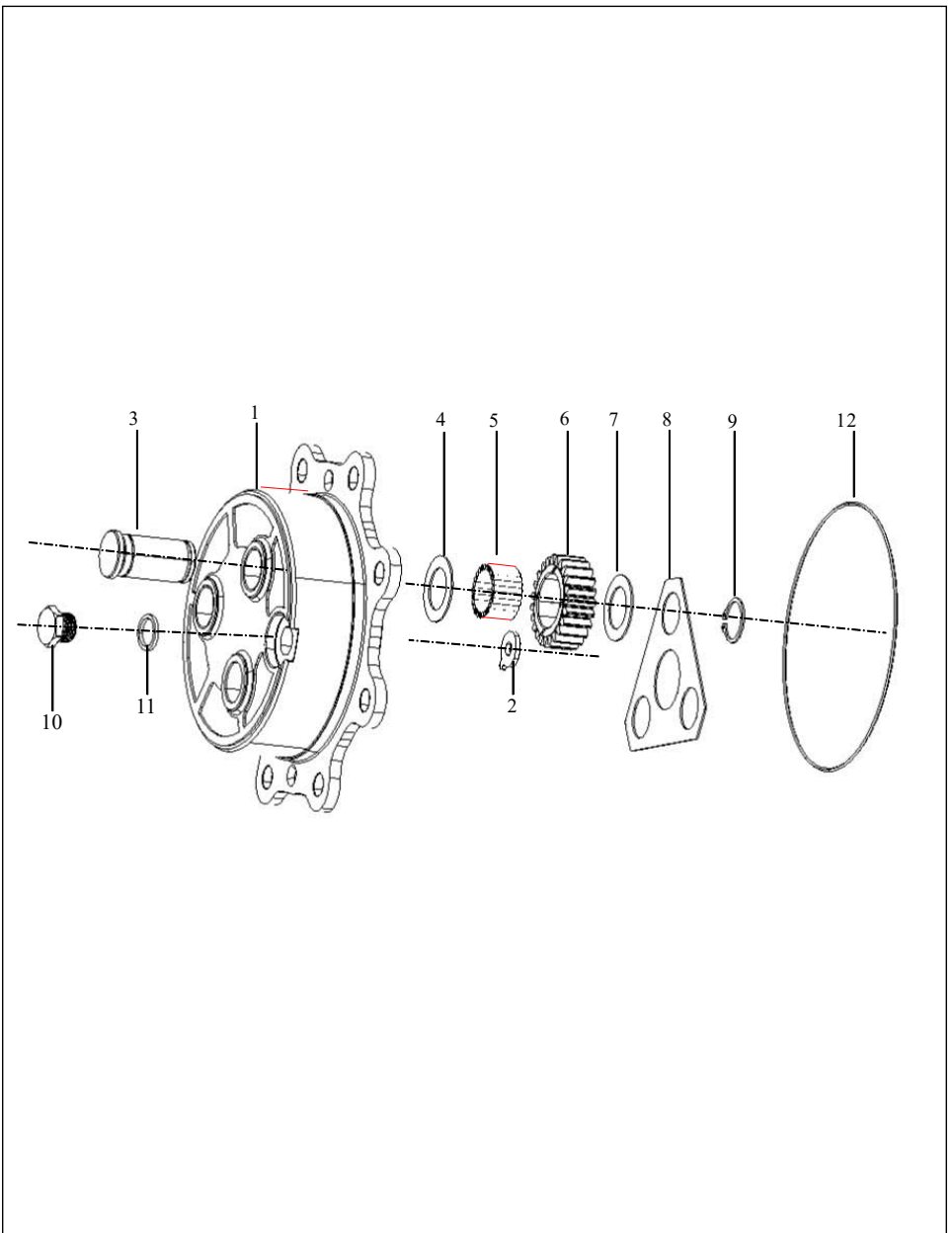




**TABLE-20****INTERCOOLER SUBASSEMBLY**

<b>Fig. No.</b>	<b>Part No.</b>	<b>Description</b>	<b>Qty</b>
1	D10444270.9	INTERCOOLER ASSEMBLY (BHARAT TREM 3A)	1
2	D86500030.9	WASHER M8 SPRING LOCK	3
4-1	D81500110.9	BOLT M8X1.25X20-8.8 HEX HEAD	2
5	D10245050.9	CLAMP ASSEMBLY HOSE (TB42)	6
6	D10279700.9	PIPE TURBOCHARGER TO INTERCOOLER	1
7	D10215580.9	TUBE INTERCOOLER TO INTAKE MANIFOLD	1
8	D10283780.9	HOSE TURBOCHARGER OUTLET	1
9	D10035370.9	SCREW M8X1.25X20 COUNTERSUNK HEAD	2
10	D10244530.9	HOSE INTAKE MANIFOLD	1
11	D10286110.9	HOSE TURBO OUTLET PIPE TO INTER COOLER	1
12	D10286120.9	HOSE INTERCOOLER TO INTAKE PIPE	1
13	D10245080.9	CLAMP ASSEMBLY HOSE (TB52)	1
14	D83500060.9	NUT M8X1.25-6 HEX	1
15	D10203560.9	CLAMP GROMMET GEAR SHIFTING LEVER	4
16-1	D10245040.9	CLAMP ASSEMBLY HOSE (TB26)	1
17	D10370330.9	TUBE INTERCOOLER TO INTAKE MANIFOLD	1

**TABLE-21**  
**CARRIER ASSEMBLY PLANETARY CARRIER**

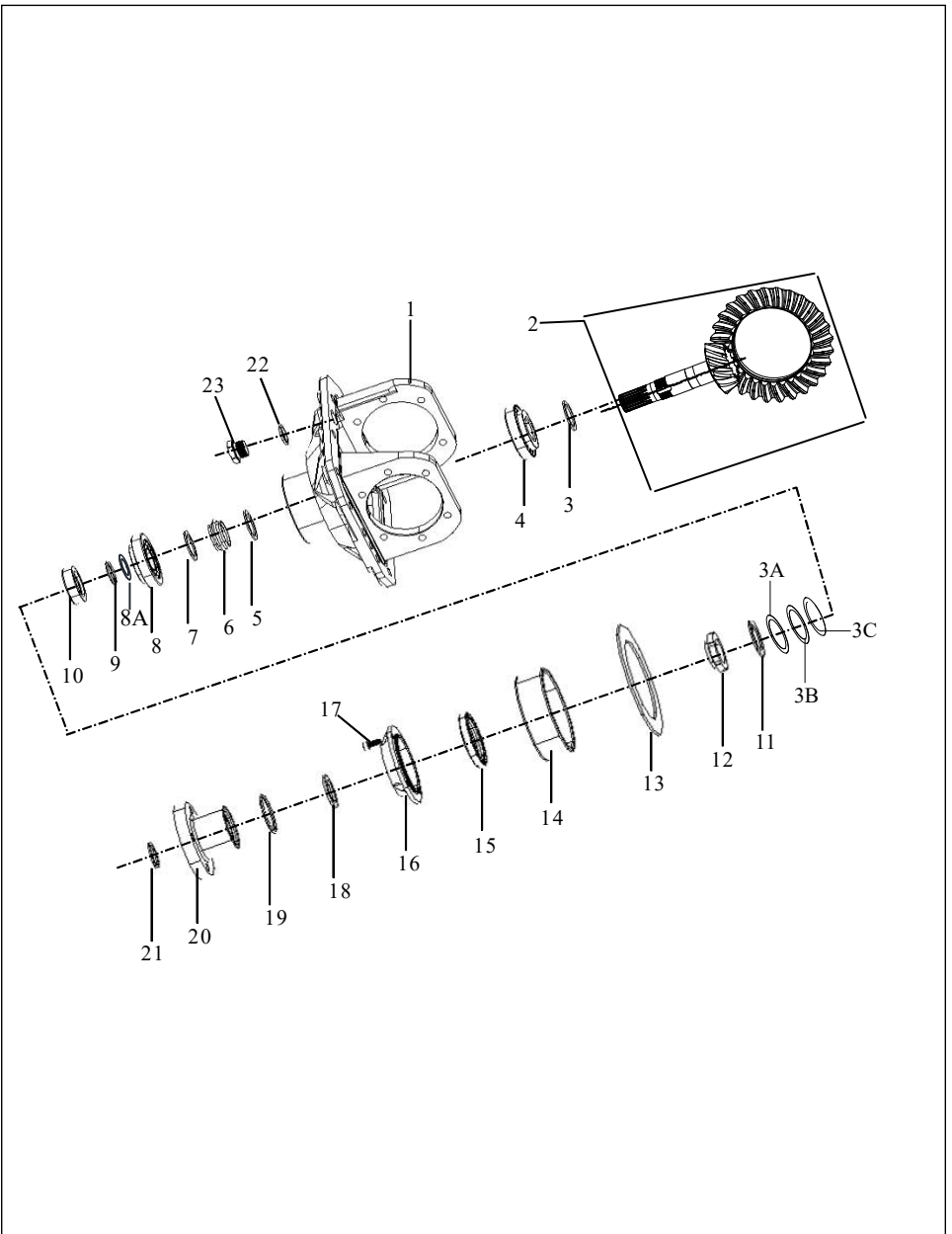


**TABLE-21**  
**CARRIER ASSEMBLY PLANETARY CARRIER**

Fig. No.	Part No.	Description	Qty
1	D10150770.9	HOUSING FRONT AXLE PLANETARY GEAR EPICYCLIC	2
2	D10158460.9	WASHER THRUST PLANETARY HOUSING	2
3	D10151160.9	SHAFT FRONT AXLE PLANETARY GEAR	6
4	D10150790.9	WASHER 55.0X34.6X1.5 PLANETARY GEAR EPICYCLIC FRONT AXLE	6
5	D10150810.9	GEAR PLANETARY EPICYCLIC FRONT AXLE (Z-23)	6
6	D10150800.9	BEARING NEEDLE EPICYCLIC FRONT AXLE	150
7	D10150790.9	WASHER 55.0X34.6X1.5 PLANETARY GEAR EPICYCLIC FRONT AXLE	6
8	D10150780.9	THRUST WASHER PLANETARY GEAR EPICYCLIC FRONT AXLE	2
9	D90000550.9	CIRCLIP A35.0X2.5 H	6
10	D93100300.9	PLUG M24X1.5X15 DRAIN (MAGNETIC)	2
11	D10005120.9	WASHER M24 FLAT COPPER	2
12	D10150710.9	SEAL O RING HUB EPICYCLIC FRONT AXLE	2

TABLE-22

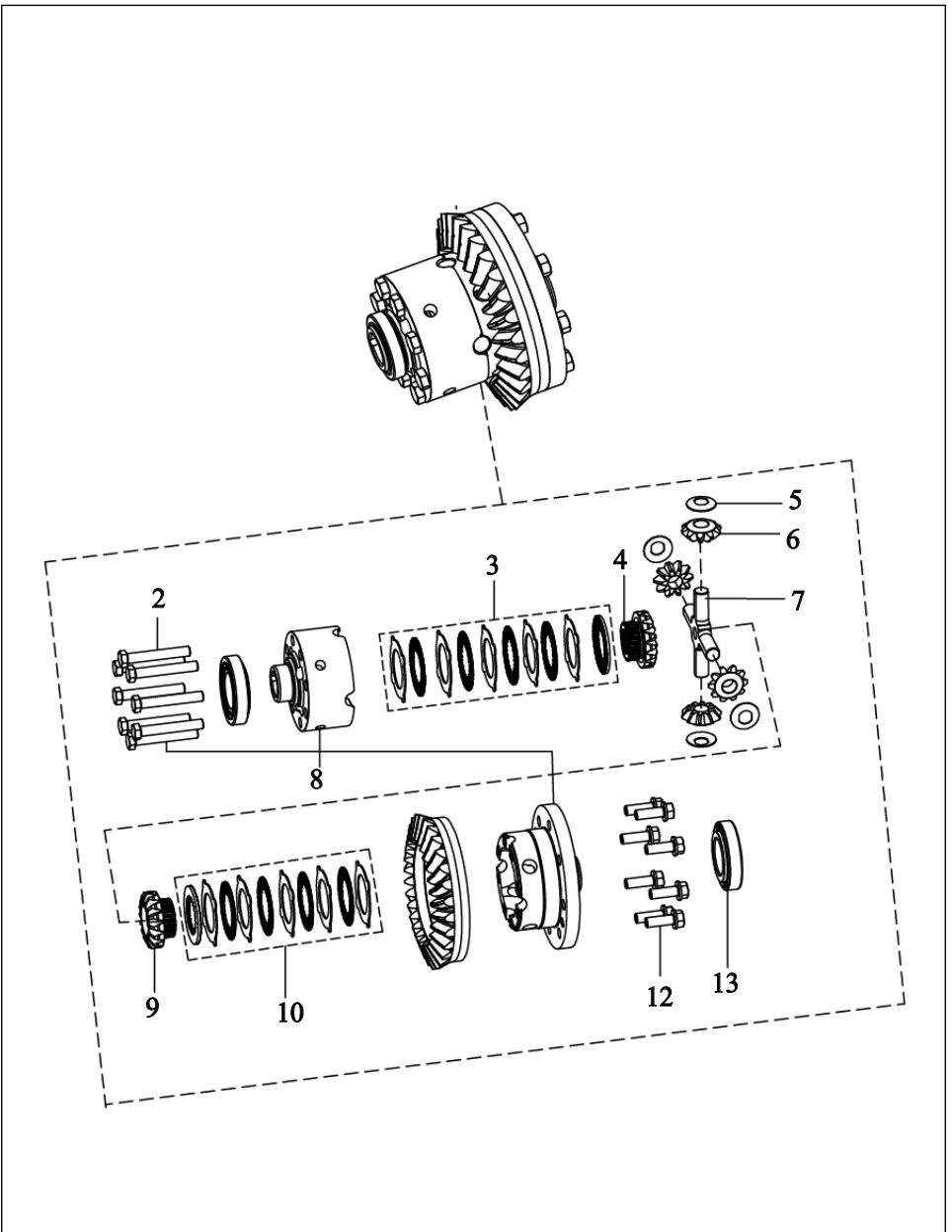
RETAINER & BEVEL PINION SHAFT ASSY-FRONT AXLE 4WD



**TABLE-22****RETAINER & BEVEL PINION SHAFT ASSY-FRONT AXLE 4WD**

<b>Fig. No.</b>	<b>Part No.</b>	<b>Description</b>	<b>Qty</b>
1	D10375570.9	RETAINER SHAFT BEVEL PINION	1
3	D10161370.9	SHIM FRONT AXLE SHAFT BEVEL PINION (0.075MM)	AR
3A	D10161380.9	SHIM FRONT AXLE SHAFT BEVEL PINION (0.125MM)	AR
3B	D10161390.9	SHIM FRONT AXLE SHAFT BEVEL PINION (0.2285MM)	AR
3C	D10161400.9	SHIM FRONT AXLE SHAFT BEVEL PINION (0.4065MM)	AR
4	D10150510.9	BEARING BEVEL PINION SHAFT FRONT AXLE	1
5	D10150490.9	WASHER 45.0X35.5X2.0 BEVEL PINION SHAFT	1
6	D10150500.9	SPACER COLLAPSIBLE BEVEL PINION SHAFT	1
7	D10150490.9	WASHER 45.0X35.5X2.0 BEVEL PINION SHAFT	1
8	D10150510.9	BEARING BEVEL PINION SHAFT FRONT AXLE	2
8A	D10280440.9	SHIM FRONT AXLE SHAFT BEVEL PINION (0.5MM)	1
9	D10150560.9	SEAL O RING 35.0X3.20 BEVEL PINION SHAFT FRONT AXLE	1
9A	D10007790.9	SEAL O RING 3.10X33.30	1
10	D10150530.9	SPACER BEVEL PINION SHAFT FRONT AXLE	1
11	D10150470.9	WASHER LOCK BEVEL PINION SHAFT	1
12	D10150480.9	NUT RING M33X1.5 BEVEL PINION SHAFT	1
13	D10152660.9	WASHER THRUST FRONT PILLOW BLOCK FRONT AXLE	1
14	D10152710.9	BUSH RETAINER FRONT AXLE 4WD	1
15	D10312790.9	SEAL OIL PINION SHAFT 4WD FRONT AXLE	1
16	D10150570.9	FLANGE INNER BEVEL PINION SHAFT FRONT AXLE	1
16A	D95000750.9	LOCTITE L-515	AR
17	D10159490.9	BOLT M6X1.0 ALLEN	4
18	D10150550.9	WASHER 45.0X31.5X3.0 BEVEL PINION SHAFT	1
19	D10150520.9	SEAL O RING 30.0X3.50 BEVEL PINION SHAFT FRONT AXLE	1
20	D10150580.9	FLANGE OUTER BEVEL PINION SHAFT FRONT AXLE	1
21	D90000560.9	CIRCLIP A30.0X2.0 H	1
22	D10005880.9	WASHER M18 FLAT COPPER	1
23	D10006500.9	PLUG M18X1.5X12-6.8 HEX HEAD	1
24	D10150440.9	GEAR SET BEVEL PINION AND CROWN WHEEL FRONT AXLE	1

**TABLE-23**  
**DIFFERENTIAL ASSEMBLY**

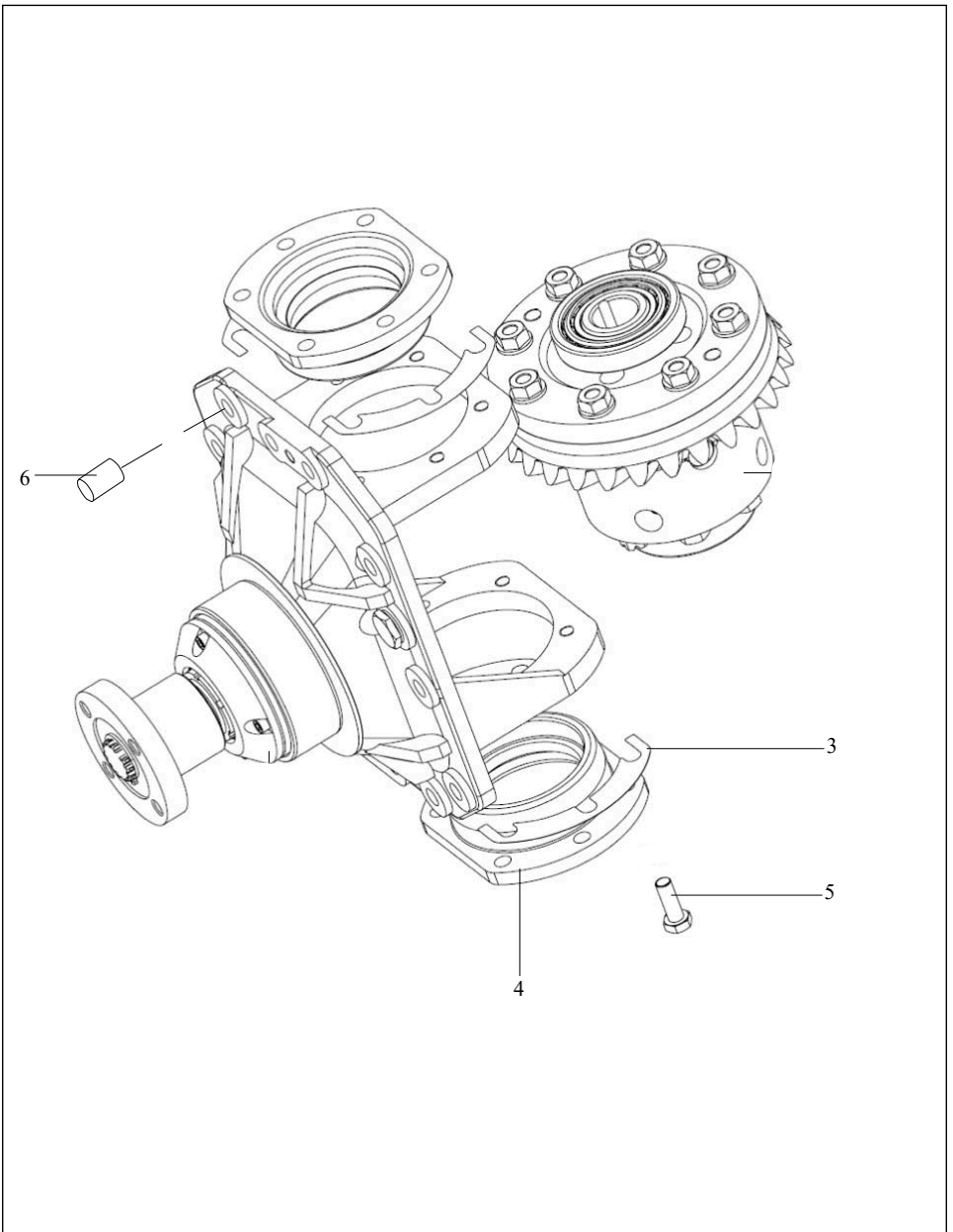


**TABLE-23****DIFFERENTIAL ASSEMBLY**

<b>Fig. No.</b>	<b>Part No.</b>	<b>Description</b>	<b>Qty</b>
2	D10007180.9	BOLT M12X1.75X80-10.9 HEX HEAD	8
3	D10161600.9	PLATE ASSEMBLY LIMITED SLIP FRONT AXLE	1
4	D10150600.9	GEAR SIDE FRONT AXLE DIFFERENTIAL	1
5	D10315090.9	WASHER THRUST FRONT AXLE DIFFERENTIAL STAR GEAR	2
6	D10315080.9	PINION FRONT AXLE DIFFERENTIAL	2
7	D10299110.9	SPIDER SHAFT FRONT AXLE DIFFERENTIAL GEAR	1
8	D10299120.9	CASE ASSEMBLY FRONT AXLE DIFFERENTIAL GEAR	1
9	D10150600.9	GEAR SIDE FRONT AXLE DIFFERENTIAL	1
10	D10161600.9	PLATE ASSEMBLY LIMITED SLIP FRONT AXLE	1
12	D10052710.9	BOLT M12X1.25X35-10.9 HEX HEAD COLLARED	8
13	D10152610.9	BEARING TAPPER ROLLER (30209)	1

**TABLE-24**

**BEVEL PINION SHAFT & DIFF.ASSY-FRONT AXLE 4WD**



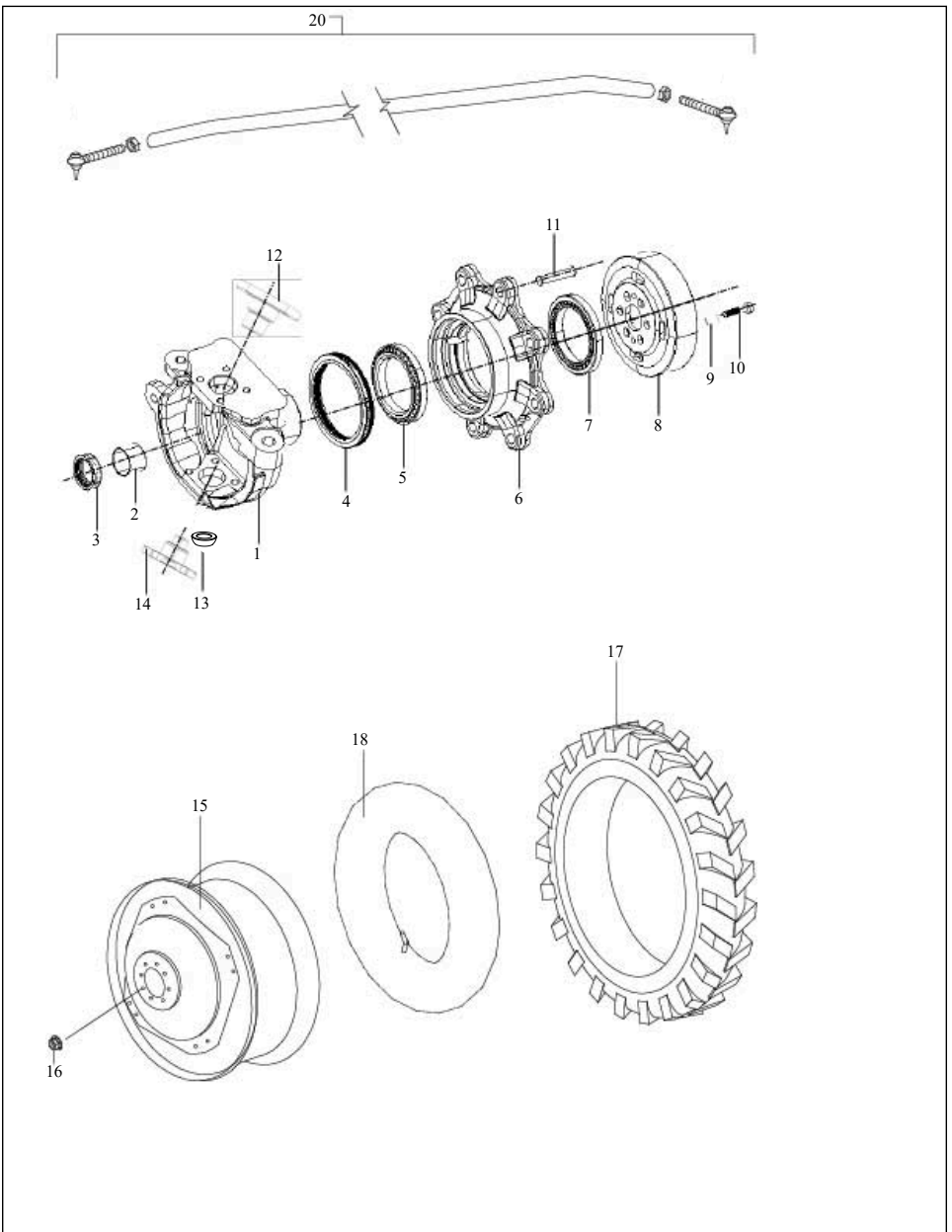


**TABLE-24****BEVEL PINION SHAFT & DIFF.ASSY-FRONT AXLE 4WD**

<b>Fig. No.</b>	<b>Part No.</b>	<b>Description</b>	<b>Qty</b>
3	D10161320.9	SHIM BEARING DIFFERENTIAL FRONT AXLE (0.075MM)	AR
3A	D10161330.9	SHIM BEARING DIFFERENTIAL FRONT AXLE (0.125MM)	AR
3B	D10161340.9	SHIM BEARING DIFFERENTIAL FRONT AXLE (0.2285MM)	AR
3C	D10161350.9	SHIM BEARING DIFFERENTIAL FRONT AXLE (0.4065MM)	AR
3D	D10161360.9	SHIM BEARING DIFFERENTIAL FRONT AXLE (0.5335MM)	AR
4	D10152540.9	RETAINER DIFFERENTIAL CASING 4WD	2
5	D81500060.9	BOLT M10X1.50X30-8.8 HEX HEAD	12
6	D87500080.9	PIN 13X34 PLAIN DOWEL	2

**TABLE-25**

**HOUSING ASSY SWIVEL FRONT AXLE LH-4WD**

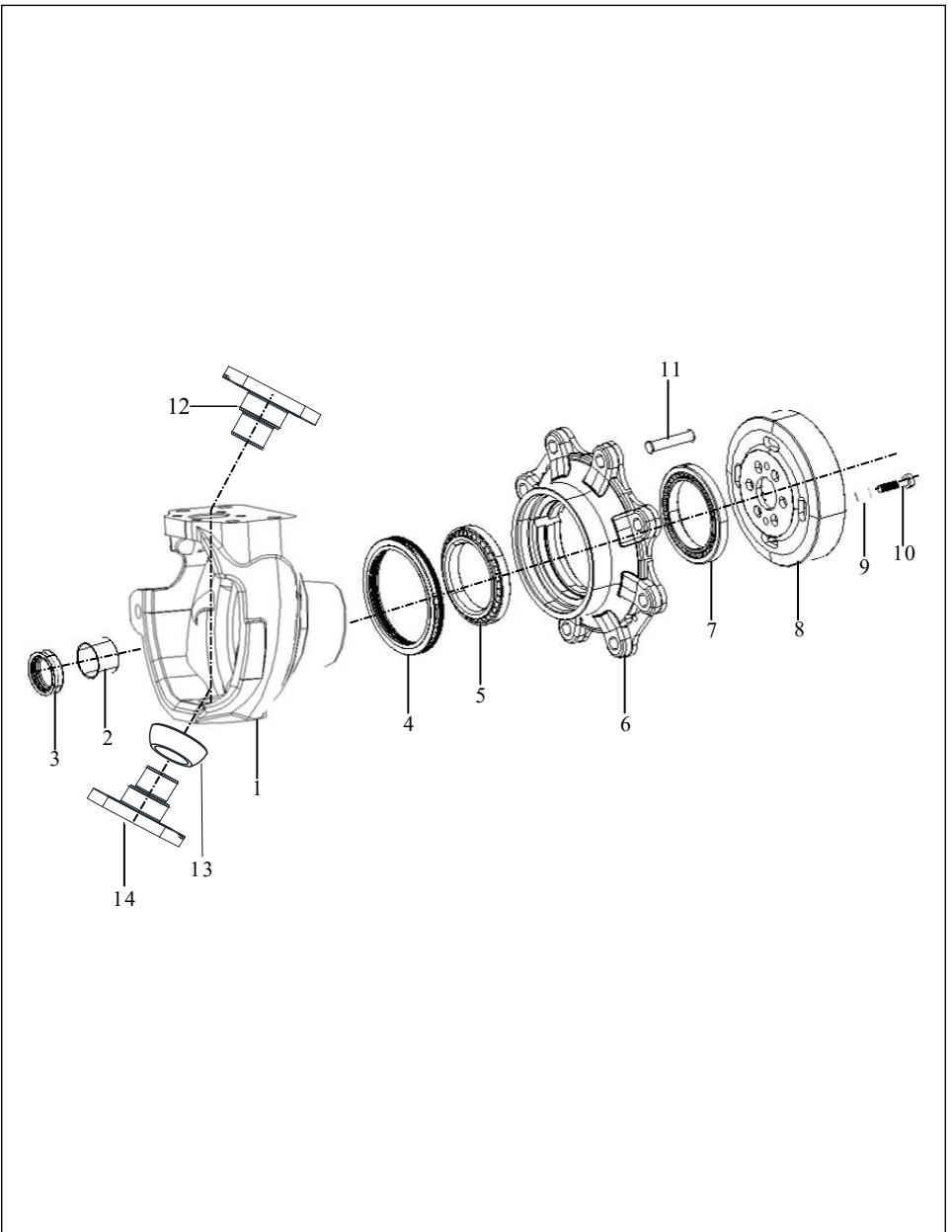


**TABLE-25****HOUSING ASSY SWIVEL FRONT AXLE LH-4WD**

<b>Fig. No.</b>	<b>Part No.</b>	<b>Description</b>	<b>Qty</b>
1	D10343830.9	HOUSING ASSEMBLY SWIVEL FRONT AXLE LH (WET LAND)	1
2	D10313060.9	BUSH SHAFT SUN GEAR (BI METALLIC)	1
3	D10312780.9	SEAL OIL HALF AXLE SHAFT 4WD FRONT AXLE (COMBINATION TYPE)	1
4	D10312800.9	SEAL WHEEL HOUSING 4WD FRONT AXLE (CASSETTE TYPE)	1
5	D10150680.9	BEARING HUB EPICYCLIC FRONT AXLE	1
6	D10312700.9	HOUSING WHEEL EPICYCLIC WET LAND	1
7	D10150680.9	BEARING HUB EPICYCLIC FRONT AXLE	1
8	D10150740.9	GEAR RING EPICYCLIC FRONT AXLE	1
9	D10150750.9	BUSH CENTERING EPICYCLIC FRONT AXLE	8
10	D10150760.9	BOLT M10X45.0 EPICYCLIC FRONT AXLE	8
11	D10150700.9	STUD M18X37.0	8
12	D10152550.9	PIN SWIVEL HOUSING UPPER	1
13	D10152570.9	BEARING SPHERICAL AXLE HOUSING	1
14	D10152560.9	PIN SWIVEL HOUSING LOWER	1
15	D10590400.9	WHEEL ASSEMBLY FRONT W10-24	2
16	D10018200.9	NUT FRONT WHEEL BOLT	12
17	D10499220.9	TYRE ASSEMBLY FRONT WHEEL 11.2X24	2
18	D10499230.9	TUBE ASSEMBLY FRONT TYRE 11.2X24	2
20	D10174850.9	LINK ASSEMBLY STEERING DRAG (4WD POWER STEERING) FT70/80	1
20A	D10396530.9	END ASSEMBLY STEERING DRAG LINK RH	1
20B	D10396860.9	END ASSEMBLY STEERING DRAG LINK LH	1

**TABLE-26**

**HOUSING ASSY SWIVEL FRONT AXLE RH-4WD**



**TABLE-26****HOUSING ASSY SWIVEL FRONT AXLE RH-4WD**

<b>Fig. No.</b>	<b>Part No.</b>	<b>Description</b>	<b>Qty</b>
1	D10343840.9	HOUSING ASSEMBLY SWIVEL FRONT AXLE RH (WET LAND)	1
2	D10313060.9	BUSH SHAFT SUN GEAR (BI METALLIC)	1
3	D10312780.9	SEAL OIL HALF AXLE SHAFT 4WD FRONT AXLE (COMBINATION TYPE)	1
4	D10312800.9	SEAL WHEEL HOUSING 4WD FRONT AXLE (CASSETTE TYPE)	1
5	D10150680.9	BEARING HUB EPICYCLIC FRONT AXLE	2
6	D10150690.9	HOUSING WHEEL EPICYCLIC FRONT AXLE	1
7	D10150680.9	BEARING HUB EPICYCLIC FRONT AXLE	1
8	D10150740.9	GEAR RING EPICYCLIC FRONT AXLE	1
9	D10150750.9	BUSH CENTERING EPICYCLIC FRONT AXLE	8
10	D10150760.9	BOLT M10X45.0 EPICYCLIC FRONT AXLE	8
11	D10150700.9	STUD M18X37.0	8
12	D10152550.9	PIN SWIVEL HOUSING UPPER	1
13	D10152570.9	BEARING SPHERICAL AXLE HOUSING	1
14	D10152560.9	PIN SWIVEL HOUSING LOWER	1

TABLE-27

DROP BOX ASSEMBLY

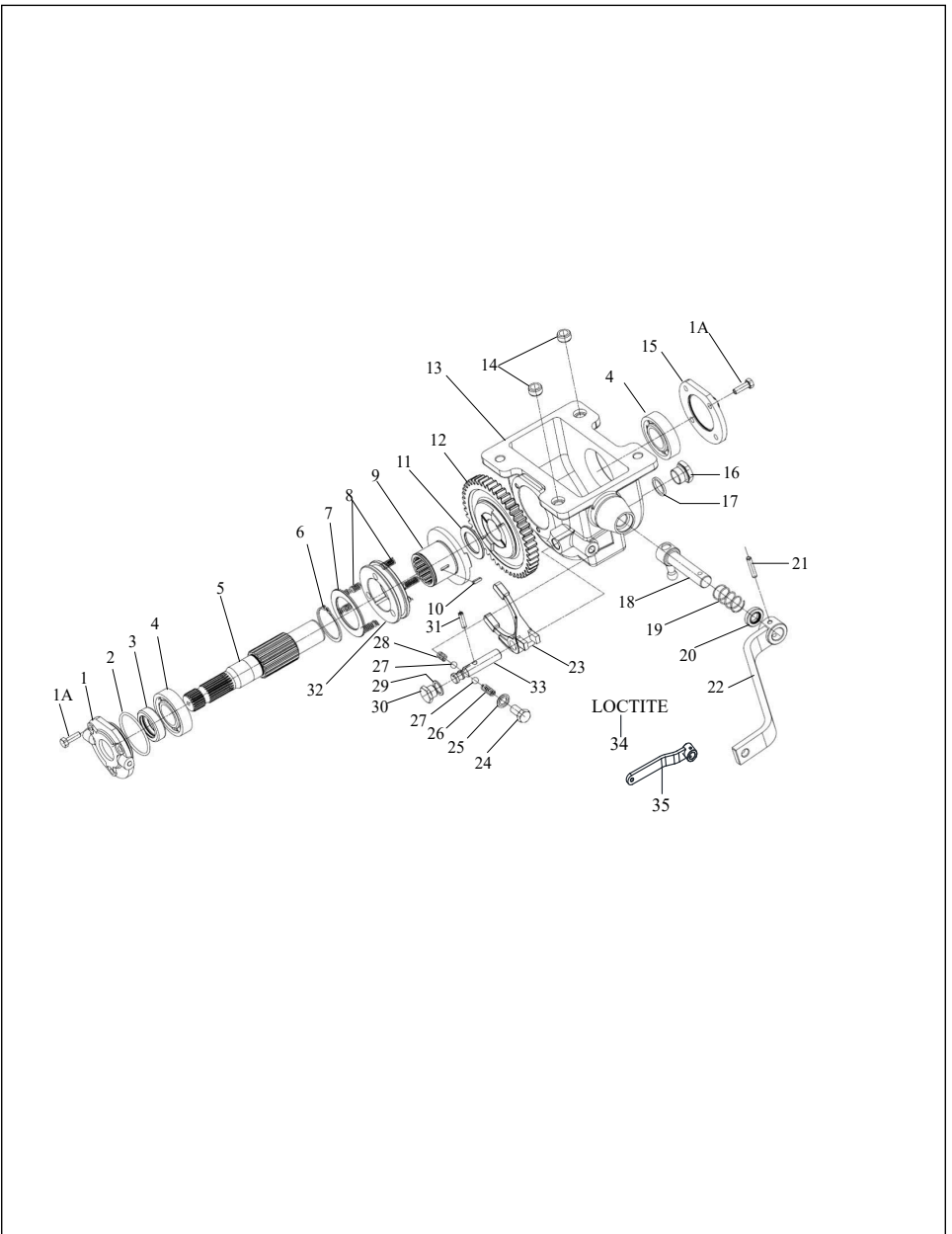


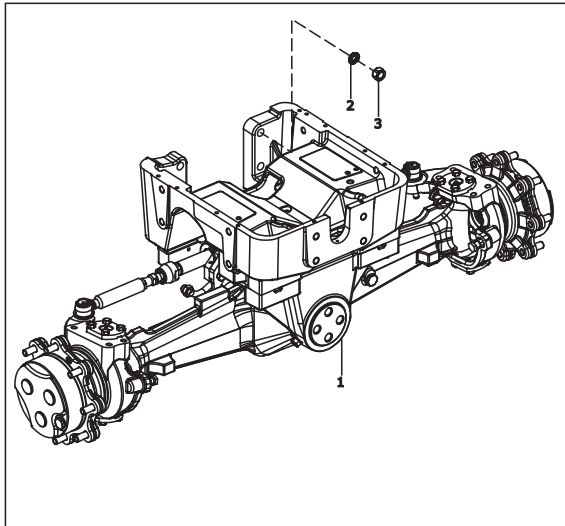
TABLE-27

## DROP BOX ASSEMBLY

Fig. No.	Part No.	Description	Qty
1	D10312710.9	COVER FRONT DROP BOX WET LAND	1
1A	D81501470.9	BOLT M8X1.25X25-10.9 HEX HEAD	7
2	D10154560.9	SEAL O RING 2.65X65.0	1
3	D10312760.9	SEAL OIL DROP BOX OUTPUT SHAFT (COMBINATION TYPE)	1
4	D10002140.9	BEARING BALL PTO SHAFT REAR AXLE	2
5	D10152390.9	SHAFT DROP BOX	1
6	D90000530.9	CIRCLIP A55.0X2.0 N	1
7	D10152360.9	WASHER THRUST 80.0X55.0X3.0	1
8	D10152500.9	SPRING SLEEVE 4WD	6
9	D10152380.9	HUB SPLINE DROP BOX	1
10	D10152520.9	KEY 4.0X4.0X15.0 SQUARE	1
11	D10154470.9	WASHER 55.0X35.0X3.0	1
12	D10152340.9	GEAR Z-46 DROP BOX	1
13	D10152460.9	HOUSING DROP BOX	1
14	D10159940.9	DOWEL BUSH DROP BOX	2
15	D10152410.9	COVER REAR DROP BOX	1
16	D93100300.9	PLUG M24X1.5X15 DRAIN (MAGNETIC)	1
17	D10005120.9	WASHER M24 FLAT COPPER	1
18	D10152440.9	LEVER 4WD ENGAGE	1
19	D10152480.9	SPRING LEVER 4WD ENGAGE	1
20	D10152510.9	SEAL OIL 20.0X30.0X7.0	1
21	D87000160.9	PIN 1/4"X1.50" SPRING DOWEL COMBINATION TYPE	1
22	D10045620.9	BRACKET ASSEMBLY HUB AND LEVER	1
23	D10152490.9	FORK 4WD ENGAGE	1
24	D81500600.9	BOLT M12X1.75X20-10.9 HEX HEAD LOCK	1
25	D10161480.9	WASHER 12.0X22.0 SCREW RAIL	1
26	D10160180.9	SPRING COMPRESSION LOWER ENGAGE 4WD RAIL	1
27	D10000490.9	BALL 3/8" DIAMETER	2
28	D10160190.9	SPRING COMPRESSION UPPER ENGAGE 4WD RAIL	1
29	D10005880.9	WASHER M18 FLAT COPPER	1
30	D10006500.9	PLUG M18X1.5X12-6.8 HEX HEAD	1
31	D87000140.9	PIN 1/4"X1.00" SPRING DOWEL COMBINATION TYPE	1
32	D10152370.9	SLEEVE ENGAGEMENT DROP BOX	1
33	D10152430.9	RAIL 4WD ENGAGE	1
34	D95000750.9	LOCTITE L-515	AR
35	D10411630.9	LEVER AND HUB ASSEMBLY ENGAGEMENT 4 WHEEL DRIVE	1

**TABLE-28**

**SUPPORT FRONT AXLE**

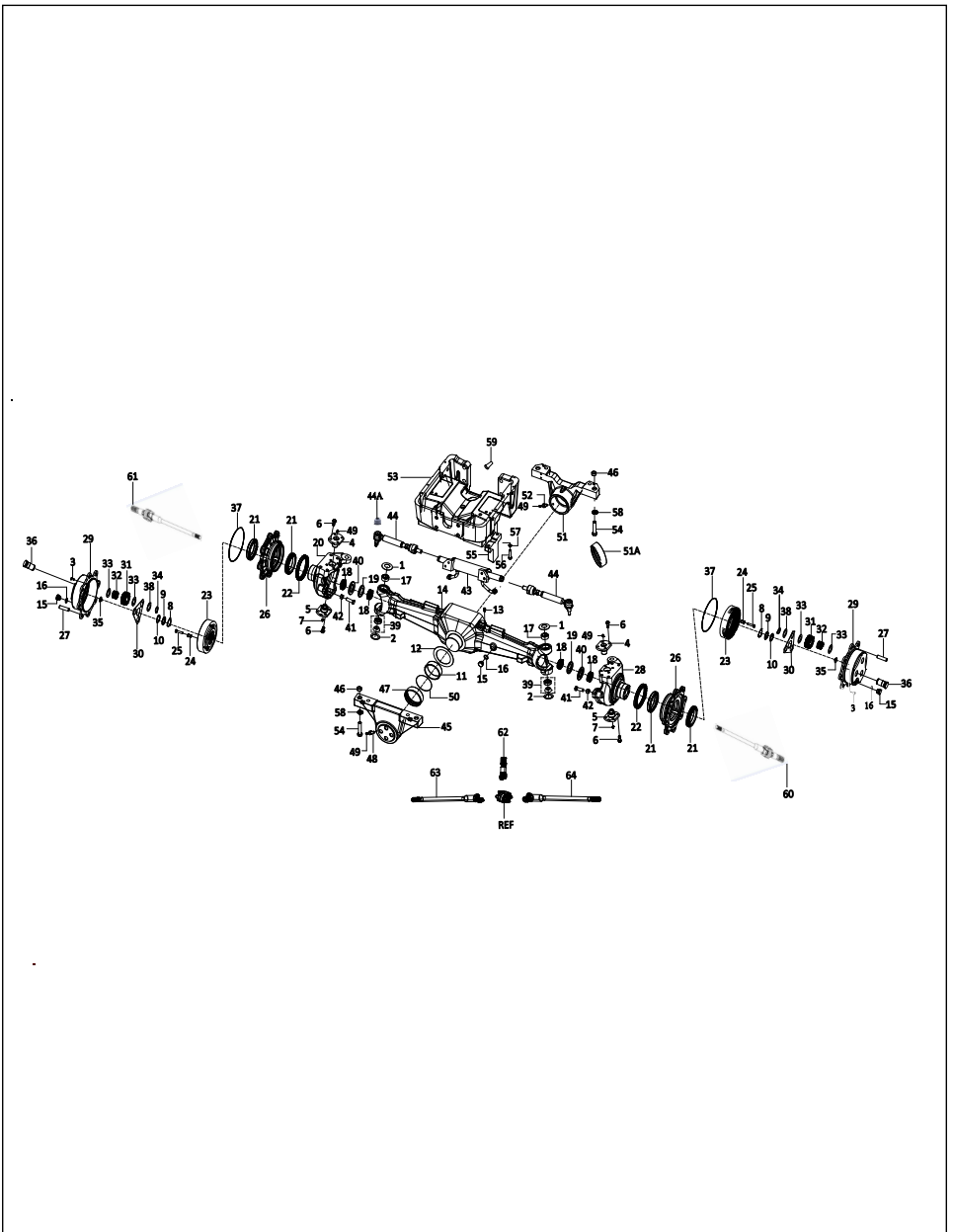




**TABLE-28**  
**SUPPORT FRONT AXLE**

Fig. No.	Part No.	Description	Qty
1	D10248290.9	SUPPORT FRONT AXLE (4 WHEEL DRIVE)	1
2	D10526820.9	WASHER LOCK (NORD TYPE)	4
3	D83500150.9	NUT M20X1.50-6P HEX	4

**TABLE-29**  
**AXLE FRONT SUBASSEMBLY**



**TABLE-29****AXLE FRONT SUBASSEMBLY**

<b>Fig. No.</b>	<b>Part No.</b>	<b>Description</b>	<b>Qty</b>
1	D10152580.9	WASHER BELLEVILLE 71.0X36.0X2.0	2
2	D10152590.9	WASHER BELLEVILLE 61.0X43.0X1.0	2
3	D10152630.9	SCREW M8X1.25X20 COUNTERSUNK SOCKET HEAD	4
4	D10152550.9	PIN SWIVEL HOUSING UPPER	2
5	D10152560.9	PIN SWIVEL HOUSING LOWER	2
6	D82500610.9	SCREW M12X1.75X30-10.9	16
7	D92500010.9	GREASE NIPPLE B M6	2
8	D10152780.9	WASHER THRUST SHAFT SUN GEAR	2
9	D10152790.9	WASHER THRUST WITH INTERNAL SPLINE SHAFT SUN GEAR	2
10	D90000600.9	CIRCLIP A45X2.5 H	2
11	D10152710.9	BUSH RETAINER FRONT AXLE 4WD	1
12	D10152660.9	WASHER THRUST FRONT PILLOW BLOCK FRONT AXLE	1
13	D10497260.9	BREATHER ASSEMBLY FRONT AXLE	1
14	D10312630.9	HOUSING ASSEMBLY FRONT AXLE 4 WHEEL DRIVE WET LAND	1
15	D93100300.9	PLUG M24X1.5X15 DRAIN (MAGNETIC)	1
16	D10005120.9	WASHER M24 FLAT COPPER	1
17	D10152670.9	BUSH PIN SWIVEL HOUSING UPPER	2
18	D10312780.9	SEAL OIL HALF AXLE SHAFT 4WD FRONT AXLE (COMBINATION TYPE)	2
19	D10312740.9	SHIELD MUD HALF FRONT AXLE SHAFT	2
20	D10343840.9	HOUSING ASSEMBLY SWIVEL FRONT AXLE RH (WET LAND)	1
21	D10150680.9	BEARING HUB EPICYCLIC FRONT AXLE	2
22	D10312800.9	SEAL WHEEL HOUSING 4WD FRONT AXLE (CASSETTE TYPE)	1
23	D10150740.9	GEAR RING EPICYCLIC FRONT AXLE	1
24	D10150750.9	BUSH CENTERING EPICYCLIC FRONT AXLE	6
25	D10150760.9	BOLT M10X45.0 EPICYCLIC FRONT AXLE	6
26	D10312700.9	HOUSING WHEEL EPICYCLIC WET LAND	1
27	D10150700.9	STUD M18X37.0	8
28	D10343830.9	HOUSING ASSEMBLY SWIVEL FRONT AXLE LH (WET LAND)	1
29	D10150770.9	HOUSING FRONT AXLE PLANETARY GEAR EPICYCLIC	2
30	D10150780.9	THRUST WASHER PLANETARY GEAR EPICYCLIC FRONT AXLE	2
31	D10150810.9	GEAR PLANETARY EPICYCLIC FRONT AXLE (Z-23)	6
32	D10150800.9	BEARING NEEDLE EPICYCLIC FRONT AXLE	150
33	D10150790.9	WASHER 55.0X34.6X1.5 PLANETARY GEAR EPICYCLIC FRONT AXLE	12
34	D90000550.9	CIRCLIP A35.0X2.5 H	6
35	D10158460.9	WASHER THRUST PLANETARY HOUSING	2
36	D10151160.9	SHAFT FRONT AXLE PLANETARY GEAR	6
37	D10150710.9	SEAL O RING HUB EPICYCLIC FRONT AXLE	2
38	D10231640.9	SHIM SHAFT FRONT AXLE PLANETARY GEAR	12
39	D10188370.9	BEARING SPHERICAL	2
40	D10312730.9	SHIELD MUD SUN GEAR SHAFT	2

TABLE-29

AXLE FRONT SUBASSEMBLY

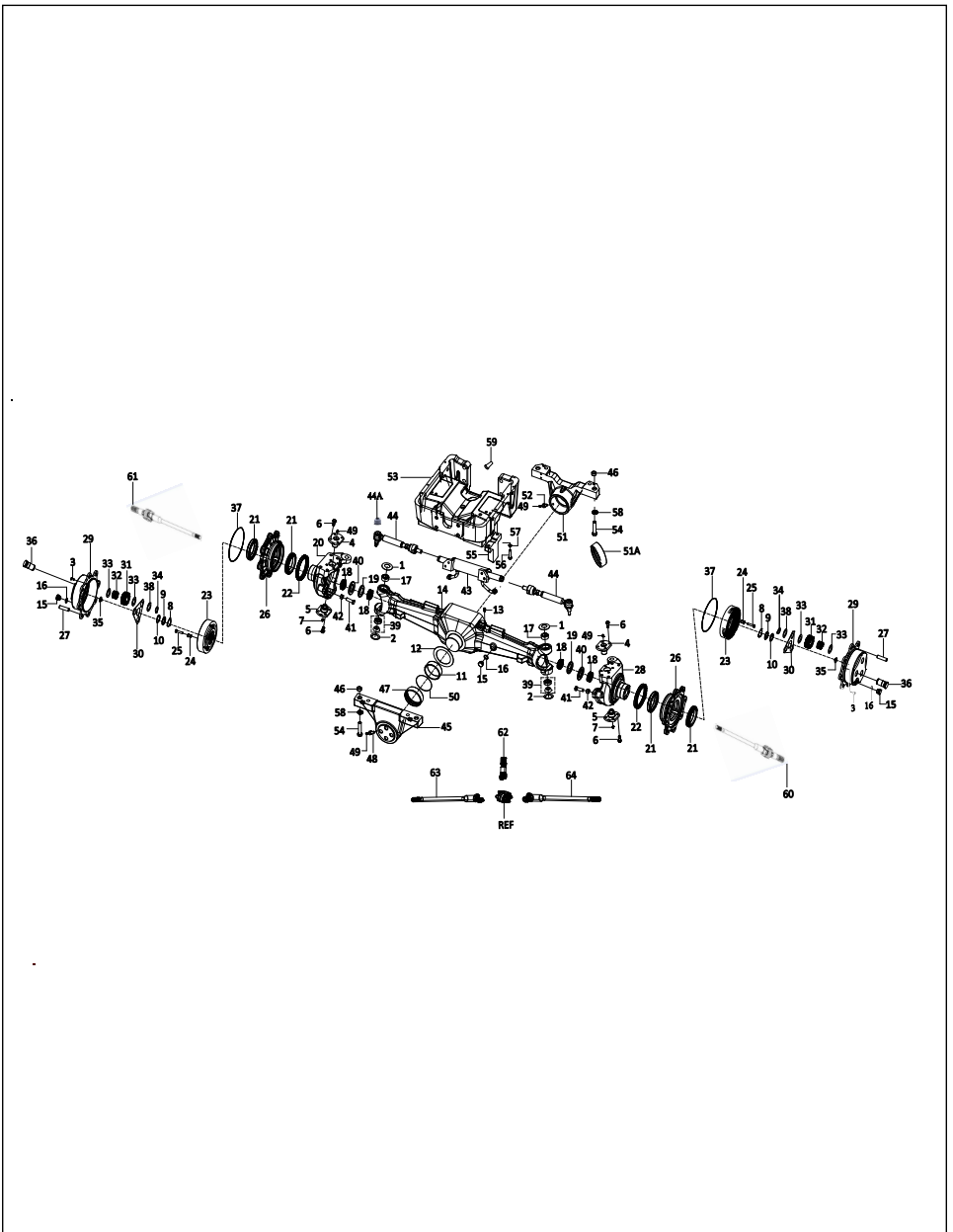
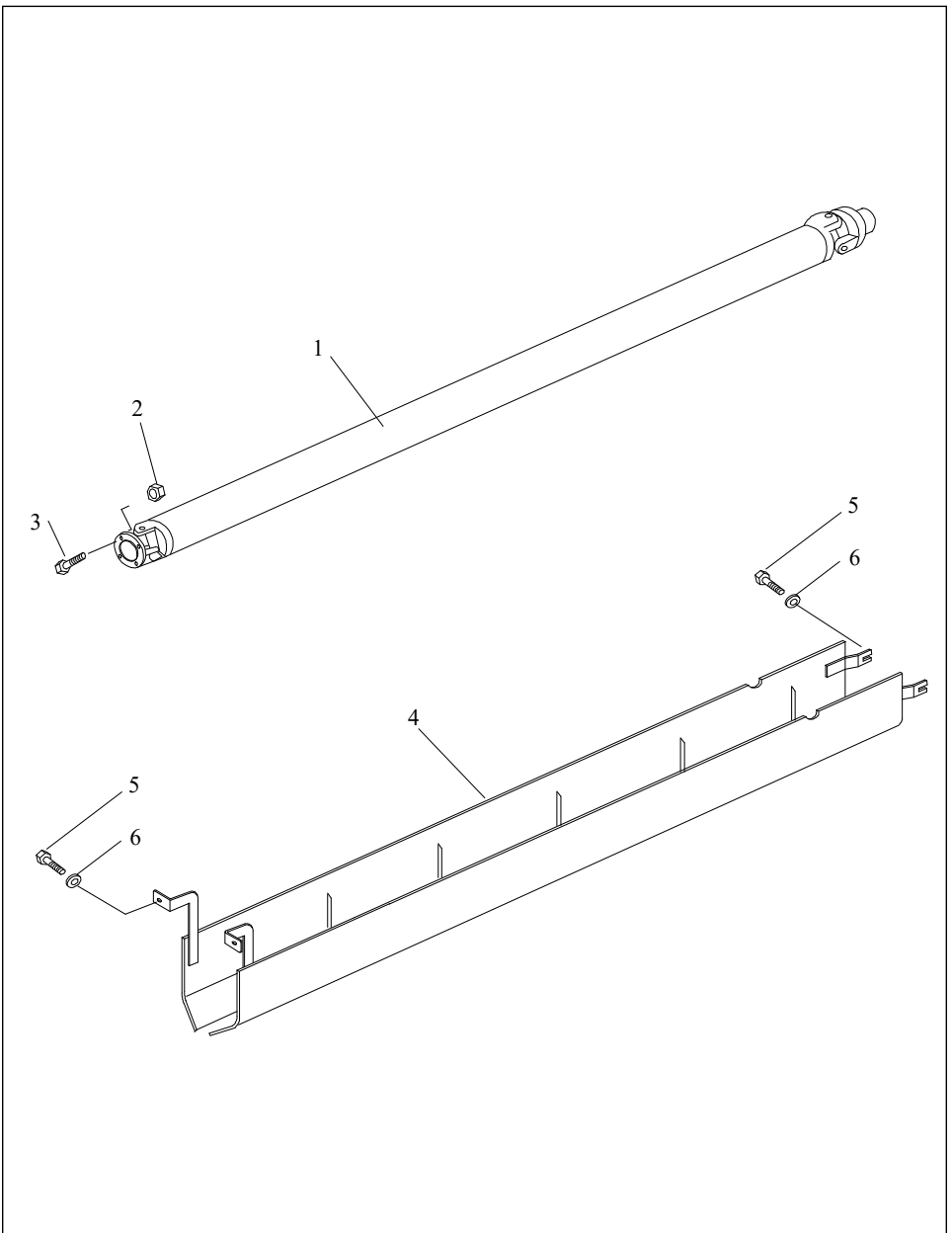


TABLE-29

## AXLE FRONT SUBASSEMBLY

Fig. No.	Part No.	Description	Qty
41	D10176790.9	BOLT M16X2.0X50-8.8 HEX HEAD WITH ROUNDED TOP	2
42-1	D83500050.9	NUT M16X2.00-6 HEX	2
43	D10595450.9	CYLINDER ASSEMBLY POWER STEERING	1
43A	D10870470.9	KIT POWER STEERING CYLINDER SERVICE (DANTAL HYD PART NO DS12384)	1
44	D10344160.9	LINK ASSEMBLY POWER STEERING	2
44A	D10860470.9	DUST COVER (M/S QH TALBROS PART NO 3337X)	1
45	D10525360.9	PILLOW BLOCK FRONT	1
46	D10155900.9	DOWEL BUSH UP BOX	2
47	D10152700.9	BUSH PILLOW BLOCK REAR	1
48	D10412020.9	BOLT BUSH LOCKING FRONT PILLOW BLOCK	1
49-1	D92500010.9	GREASE NIPPLE B M6	6
50	D93600460.9	SEAL O RING 115.0X1.80	1
51	D10525340.9	PILLOW BLOCK REAR	1
51A	D10399030.9	BUSH REAR PILLOW BLOCK	1
52	D10155920.9	BOLT BUSH LOCKING UP BOX	1
53	D10248290.9	SUPPORT FRONT AXLE (4 WHEEL DRIVE)	1
54	D81000910.9	BOLT 3/4"-10X3.50" HEX HEAD	12
55	D10525380.9	STOPPER FRONT AXLE	2
56	D81000370.9	BOLT 1/2"-13X2.25" HEX HEAD	4
57	D86000060.9	WASHER 1/2" SPRING LOCK	8
58	D10526820.9	WASHER LOCK (NORD TYPE)	4
59	D10019450.9	PLUG DUST FRONT SUPPORT	1
60	D10343890.9	SHAFT ASSEMBLY 4WD FRONT AXLE LH (B300)	1
61	D10343900.9	SHAFT ASSEMBLY 4WD FRONT AXLE RH (B300)	1
62	D10343910.9	SHAFT SUN GEAR 4WD FRONT	2
64	D10343930.9	SHAFT HALF AXLE SHAFT 4WD FRONT RH	1
65	D10343920.9	SHAFT HALF AXLE SHAFT 4WD FRONT LH	1

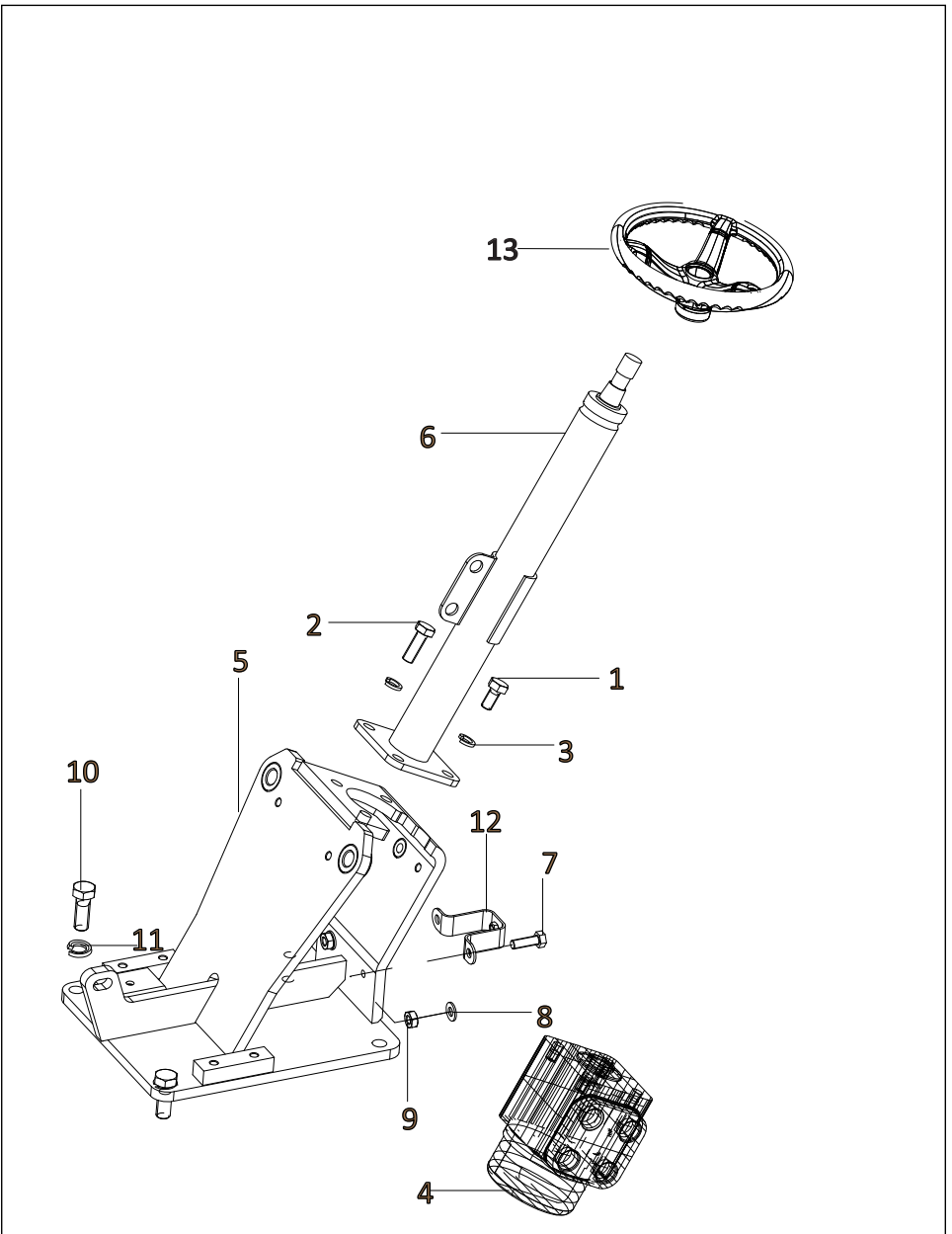
**TABLE-30**  
**PROPELLER SHAFT AND GUARD**



**TABLE-30****PROPELLER SHAFT AND GUARD**

<b>Fig. No.</b>	<b>Part No.</b>	<b>Description</b>	<b>Qty</b>
1	D10437280.9	SHAFT ASSEMBLY PROPELLAR	1
2	D83500170.9	NUT M10X1.50 NYLOCK HEX	4
3	D81500610.9	BOLT M10X1.50X40-8.8 HEX HEAD	4
4	D10249240.9	GUARD PROPELLER SHAFT	1
5-1	D81500110.9	BOLT M8X1.25X20-8.8 HEX HEAD	4
6	D85000010.9	WASHER 3/8" FLAT	4

**TABLE-31**  
**MOTOR AND COLUMN ASSEMBLY (POWER STEERING)**



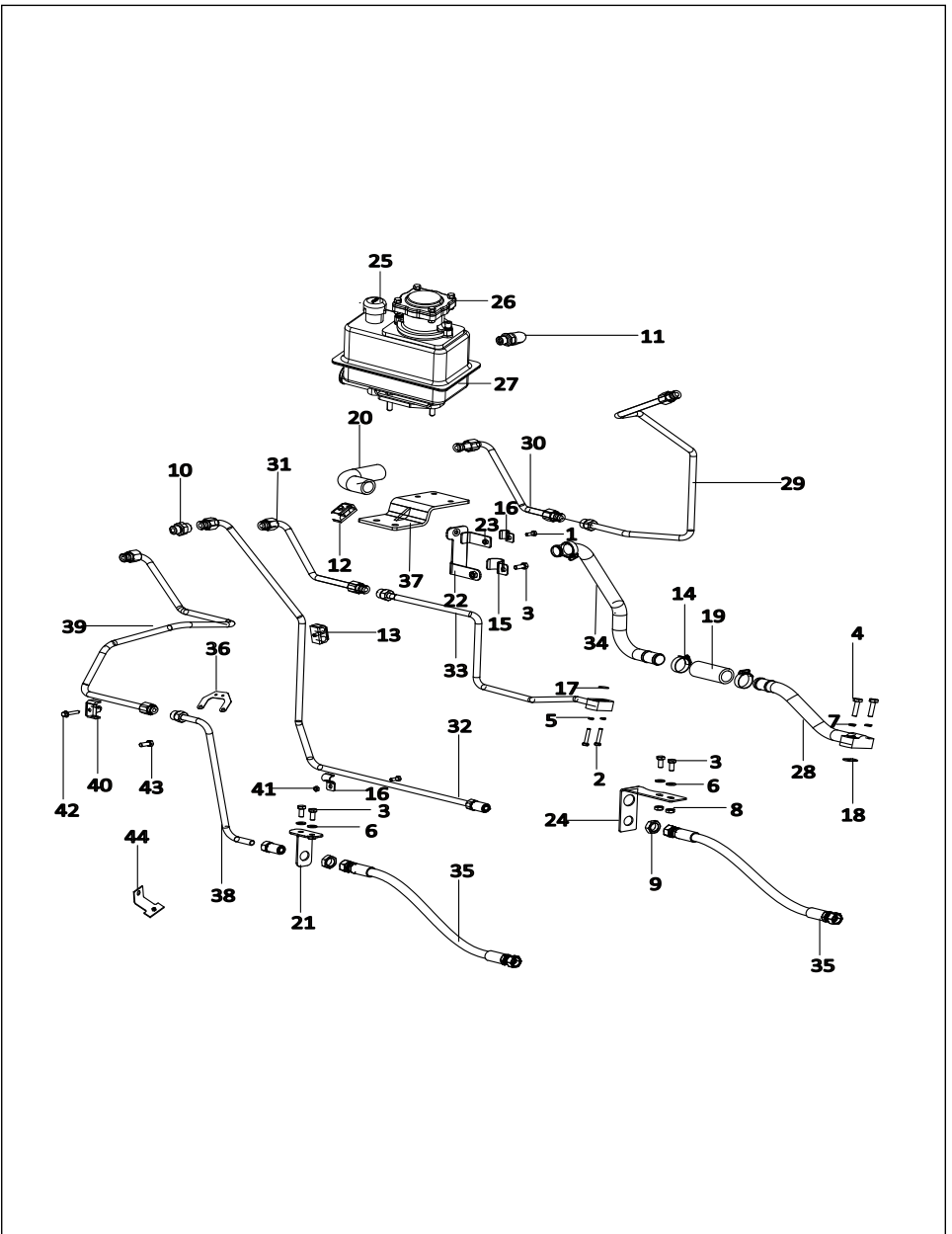


**TABLE-31****MOTOR AND COLUMN ASSEMBLY (POWER STEERING)**

<b>Fig. No.</b>	<b>Part No.</b>	<b>Description</b>	<b>Qty</b>
1	D81500200.9	BOLT M10X1.50X20-6.6 HEX HEAD	1
2	D81500060.9	BOLT M10X1.50X30-8.8 HEX HEAD	3
3	D86500090.9	WASHER M10 SPRING LOCK	4
4-1	D10336000AD.9	MOTOR ASSEMBLY POWER STEERING	1
5	D10255350.9	BRACKET ASSEMBLY POWER STEERING MOUNTING	1
6	D10304720.9	COLUMN ASSEMBLY POWER STEERING	1
7	D81500590.9	BOLT M8X1.25X25-6.6 HEX HEAD	2
8	D85500130.9	WASHER M8 FLAT	2
9	D83500110.9	NUT M8X1.25-8 HEX	2
10	D10012330.9	BOLT 1/2"-13X1.38" HEX HEAD (STEERING GEAR MOUNTING)	4
11	D86000060.9	WASHER 1/2" SPRING LOCK	4
12	D10396200.9	BRACKET ASSEMBLY STEERING GEAR COVER REAR	1
13-1	D10455770AD.9	WHEEL ASSEMBLY POWER STEERING	1

TABLE-32

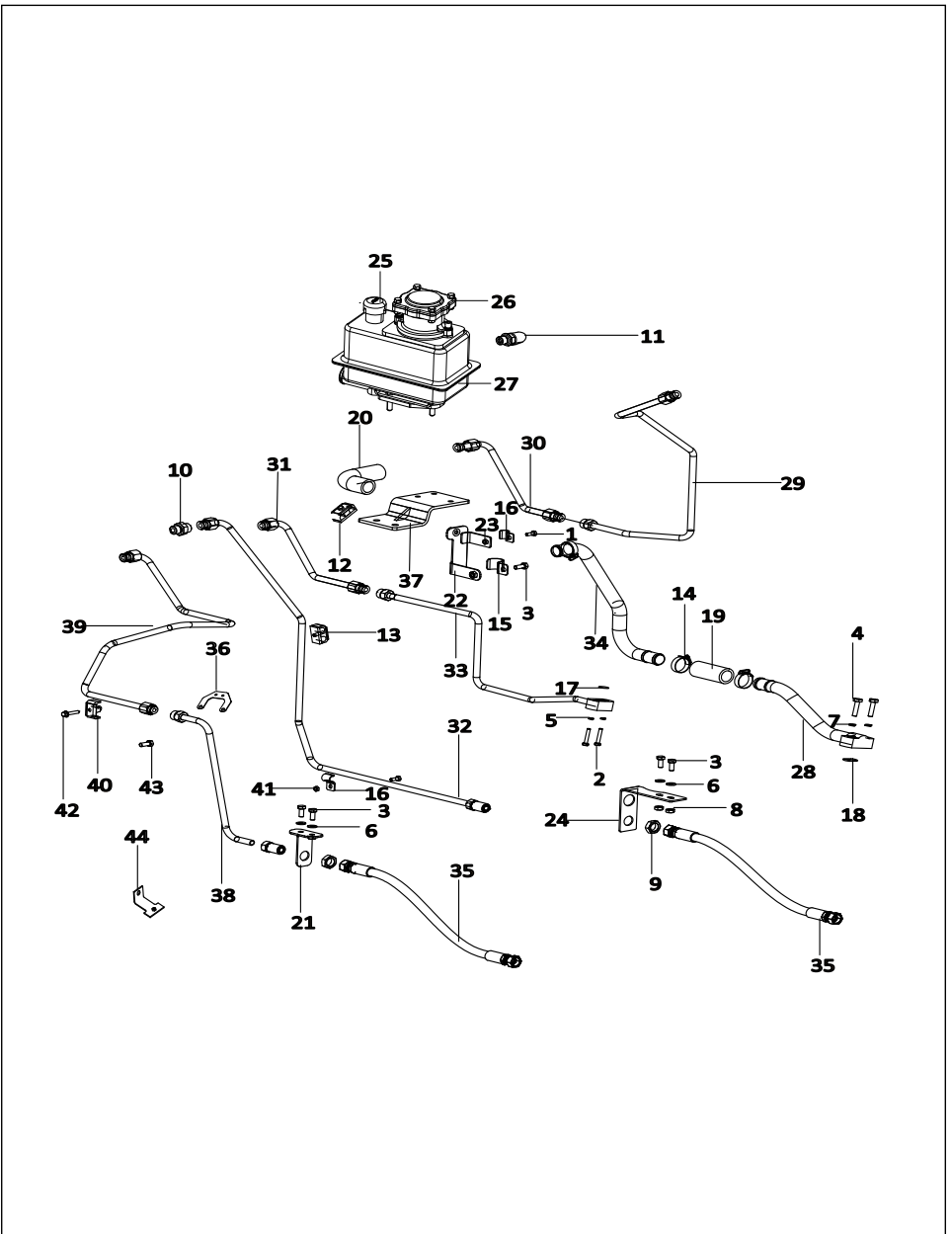
TUBING STEERING SUBASSEMBLY



**TABLE-32****TUBING STEERING SUBASSEMBLY**

Fig. No.	Part No.	Description	Qty
1	D81500360.9	BOLT M6X1.00X16-9.8 HEX HEAD	2
2	D81500340.9	BOLT M6X1.00X35-8.0 HEX HEAD	2
3	D81500110.9	BOLT M8X1.25X20-8.8 HEX HEAD	6
4	D81500030.9	BOLT M8X1.25X35-6.6 HEX HEAD	2
5	D86500040.9	WASHER M6 SPRING LOCK	2
6	D85500130.9	WASHER M8 FLAT	6
7	D86500030.9	WASHER M8 SPRING LOCK	5
8	D83500060.9	NUT M8X1.25-6 HEX	7
9	D10398450.9	NUT LOCK HYDRAULIC JOINT 13/16"-16 UN	2
10	D10375240.9	ADAPTOR 13/16"-16 UN AND 3/4"-16 UNF	4
11	D91500040.9	ELBOW 13/16-16 UNF AND 1/2-14 BSP	1
12	D10560110.9	CLAMP 12.7X12.7 ASSEMBLY TUBING HYDRAULIC PRESSURE	1
13	D10296350.9	CLAMP ASSEMBLY TUBING HYDRAULIC PRESSURE	1
14	D10013970.9	CLAMP HOSE 35A	4
15	D10504260.9	CLAMP POWER STEERING TUBE HOLDING	1
16	D10527370.9	CLAMP TUBE HOLDING DIA 12	2
17	D93600670.9	SEAL O RING 1.78X15.6	1
18	D93600580.9	SEAL O RING 1.78X23.52	1
19	D10519950.9	HOSE STEERING SUCTION TUBE	1
20	D10520440.9	HOSE STEERING SUCTION TUBE	1
21	D10585060.9	BRACKET ASSEMBLY STEERING TUBE HOLDING LOWER RH	1
22	D10558970.9	BRACKET ASSEMBLY SUCTION TUBE HOLDING	1
23	D83500070.9	NUT M6X1.00-6 HEX	1
24	D10560090.9	BRACKET STEERING TUBE HOLDING LOWER LH	1
25-1	D10490500AF.9	RESERVOIR ASSEMBLY POWER STEERING OIL	1
26	D10641680.9	FILTER POWER STEERING RESERVOIR (M/S A V AUTO)	1
27	D10641700.9	BREATHER POWER STEERING RESERVOIR (M/S A V AUTO)	1
28	D10524070.9	TUBE ASSEMBLY POWER STEERING SUCTION HOSE TO TANDEM PUMP	1
29	D10524100.9	TUBE ASSEMBLY RETURN CONNECTOR TO STEERING RESERVOIR	1
30	D10519900.9	TUBE ASSEMBLY RETURN STEERING MOTOR TO CONNECTOR	1
31	D10520000.9	TUBE ASSEMBLY STEERING CONNECTOR TO STEERING MOTOR	1
32	D10520020.9	TUBE ASSEMBLY STEERING MOTOR TO CYLINDER LH	1
33	D10519980.9	TUBE ASSEMBLY STEERING TANDEM PUMP TO CONNECTOR	1
34	D10524090.9	TUBE SUCTION STEERING RESERVOIR TO HOSE	1
35	D10520060.9	HOSE ASSEMBLY STEERING CYLINDER LH	2
36	D10585050.9	BRACKET STEERING TUBE HOLDING	2
37	D10484920.9	BRACKET STEERING OIL RESERVOIR MOUNTING	1
38	D10697790.9	TUBE ASSEMBLY STEERING MOTOR TO CYLINDER RH	1
39	D10697810.9	TUBE ASSEMBLY STEERING MOTOR TO CYLINDER RH	1
40	D10587620.9	CLAMP ASSEMBLY HYDRAULIC PRESSURE	1

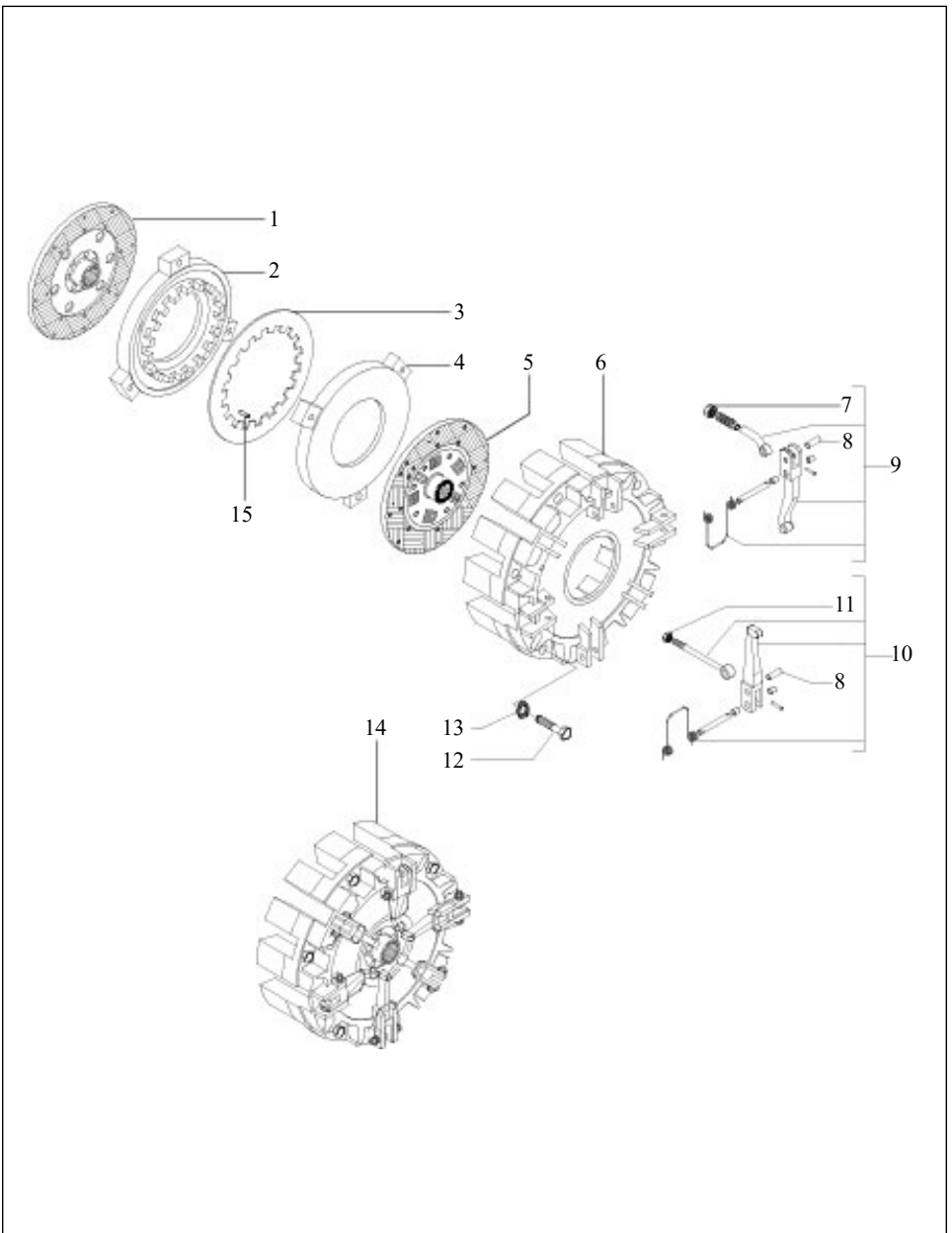
**TABLE-32**  
**TUBING STEERING SUBASSEMBLY**



**TABLE-32****TUBING STEERING SUBASSEMBLY**

<b>Fig. No.</b>	<b>Part No.</b>	<b>Description</b>	<b>Qty</b>
41	D83500070.9	NUT M6X1.00-6 HEX	2
42	D81501610.9	BOLT M6X1.0X30-8.8 HEX HEAD (PRECOATING)	1
43	D82500050.9	SCREW M6X1.00X12-6.8 HEX HEAD	1
44	D10315290.9	BRACKET POWER STEERING TUBE HOLDING	1

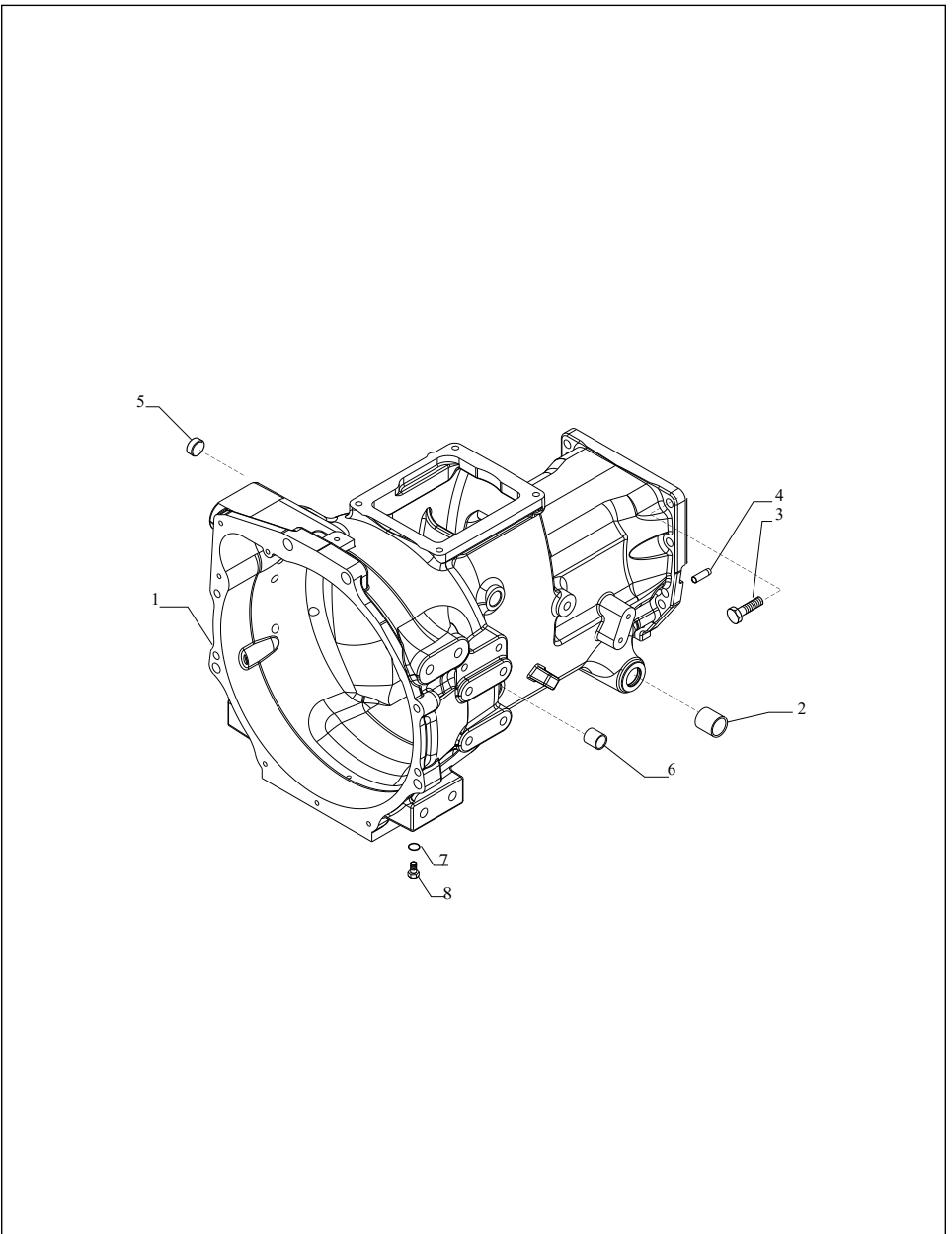
**TABLE-33**  
**CLUTCH ASSEMBLY**



**TABLE-33**  
**CLUTCH ASSEMBLY**

Fig. No.	Part No.	Description	Qty
1	D10103840.9	DISC CLUTCH PTO DRIVE (CARRARO PART NO 190241)	1
1-1	D10159070.9	DISC CLUTCH PTO DRIVE 12" WITH ORGANIC FACINGS (LUK NO 3031PT100)	1
2	D10072580.9	PLATE (CARRARO PART NO 351610)	1
2-1	D10159080.9	PLATE PRESSURE PTO CLUTCH (LUK NO 2103A1100)	1
3	D10072540.9	WASHER BELLEVILLE (CARRARO PART NO 342315)	1
4	D10072590.9	PLATE	1
5	D10103850.9	DISC CLUTCH MAIN DRIVE (CARRARO PART NO 190242)	1
5-1	D10159060.9	DISC CLUTCH MAIN DRIVE 12" WITH MIBA MD-519 CERAMIC PADS (LUK NO 3031PLC00)	1
6	D10072600.9	HOUSING	1
7	D10072560.9	NUT (CARRARO PART NO 342303)	3
8	D10072570.9	PIN SPRING	6
9	D10077150.9	KIT LEVER CLUTCH 11"X11" TRANSMISSION (CARRARO PART NO 351614)	1
9-1	D10159130.9	KIT REPAIR MAIN CLUTCH (LUK NO 2615P2500)	1
10	D10077160.9	KIT LEVER CLUTCH 11"X11" PTO (CARRARO PART NO 350016)	1
10-1	D10159140.9	KIT REPAIR PTO CLUTCH (LUK NO 2615P2600)	1
11	D10072610.9	NUT	3
12	D81500670.9	BOLT M10X1.50X60-8.0 HEX HEAD	6
13	D86500050.9	WASHER M10 SPRING LOCK	6
14	D10045800.9	CLUTCH ASSEMBLY DUAL	1
15	D10072550.9	PIN (CARRARO PART NO 341720)	3

**TABLE-34**  
**CLUTCH HOUSING**

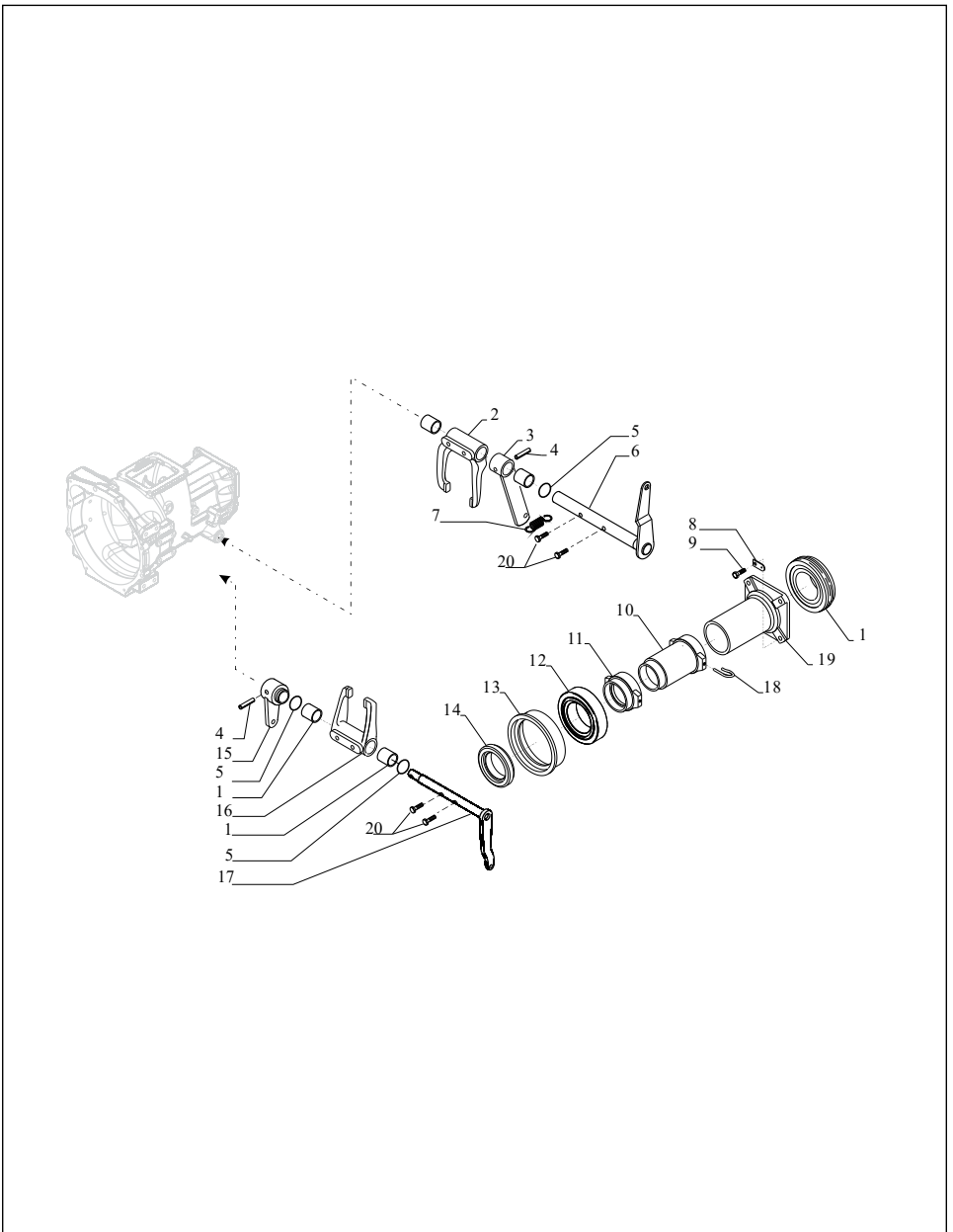




**TABLE-34****CLUTCH HOUSING**

<b>Fig. No.</b>	<b>Part No.</b>	<b>Description</b>	<b>Qty</b>
1	D10540320.9	HOUSING TRANSMISSION CLUTCH (CARRARO PART NO 446525)	1
2	D10240760.9	BUSH CLUTCH HOUSING (CARRARO PART NO 120763)	4
3	D81500970.9	BOLT M14X2.00X40-9.8 HEX HEAD	8
4	D10110660.9	PIN DIA 15.0X35.0	2
5	D10240790.9	PLUG CLUTCH HOUSING (CARRARO PART NO 116949)	2
6	D10540330.9	BUSH (CARRARO PART NO140514)	2
7	D10540340.9	SEAL (CARRARO PART NO 23258)	1
8	D10540350.9	SCREW (CARRARO PART NO 20774)	1

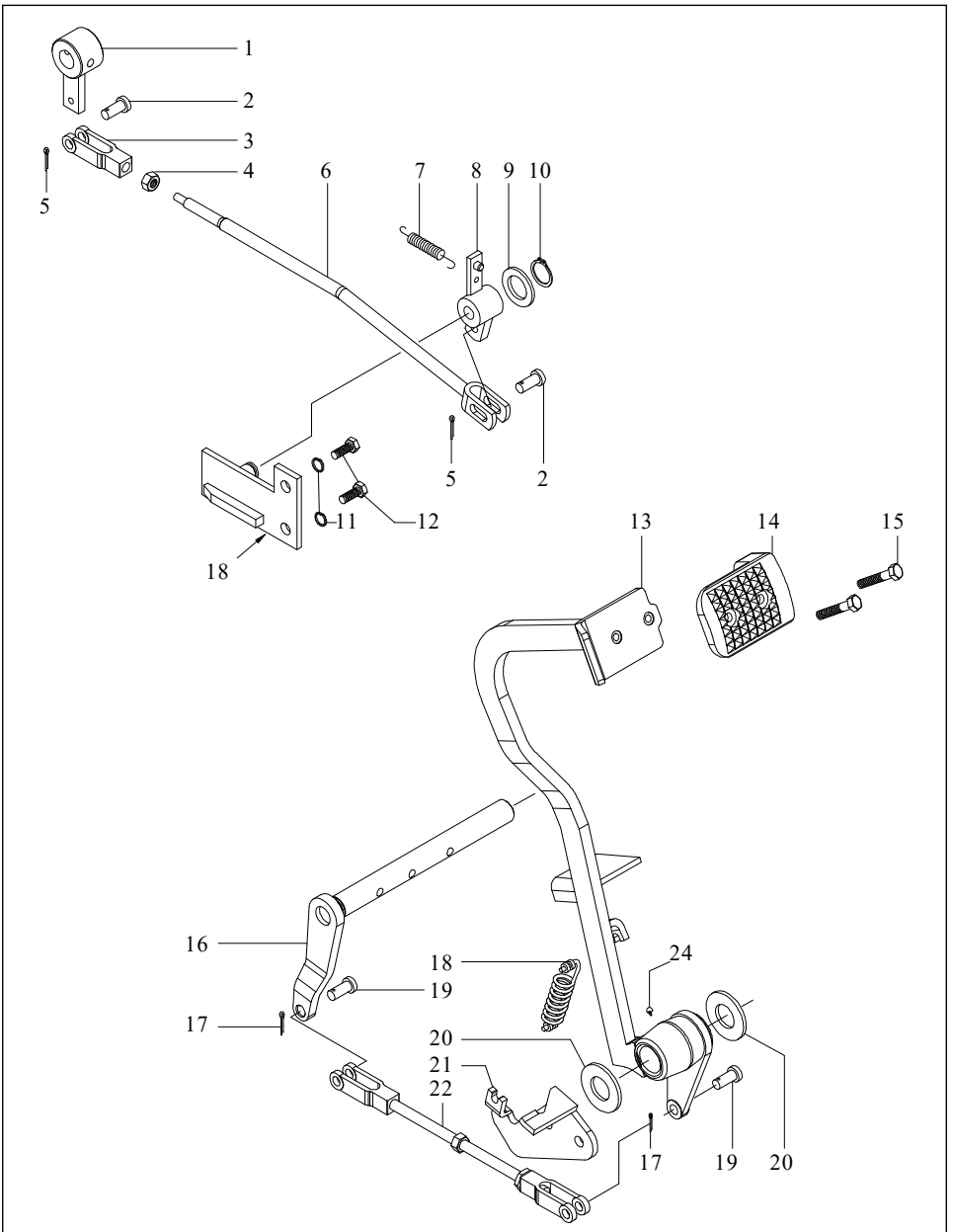
**TABLE-35**  
**CLUTCH CONTROL**



**TABLE-35**  
**CLUTCH CONTROL**

Fig. No.	Part No.	Description	Qty
1	D10061140.9	BEARING 6308 2RS1(SKF)	1
2	D10540360.9	FORK (CARRARO PART NO 438012)	1
3	D10061180.9	LEVER	1
4	D10240810.9	PIN D8X36 (CARRARO PART NO 024445)	2
5	D10042990.9	SEAL O RING 3.63X16.85	3
6	D10136380.9	LEVER PTO (CARRARO PART NO 145508)	1
7	D10061150.9	SPRING	1
8	D10103820.9	BRACKET SPRING RETAINING (CARRARO PART NO 090646)	1
9	D81501040.9	BOLT M8X1.25X25-9.8 HEX HEAD	4
10	D10061230.9	SLEEVE PTO	1
11	D10061240.9	SLEEVE	1
12	D10061270.9	BEARING	1
13	D10136390.9	SLEEVE (CARRARO PART NO 149549)	1
14	D10243160.9	BEARING CLUTCH CONTROL (CARRARO PART NO 397758)	1
15	D10063100.9	LEVER	1
16	D10540370.9	FORK CLUTCH ( CARRARO PART NO 438013)	1
17	D10061220.9	LEVER	1
18	D10061160.9	SPRING	4
19	D10061190.9	SLEEVE SUPPORT	1
20	D10540380.9	SCREW M8X45 (CARRARO PART NO 437855)	4

**TABLE-36**  
**CLUTCH OUTER CONTROL**

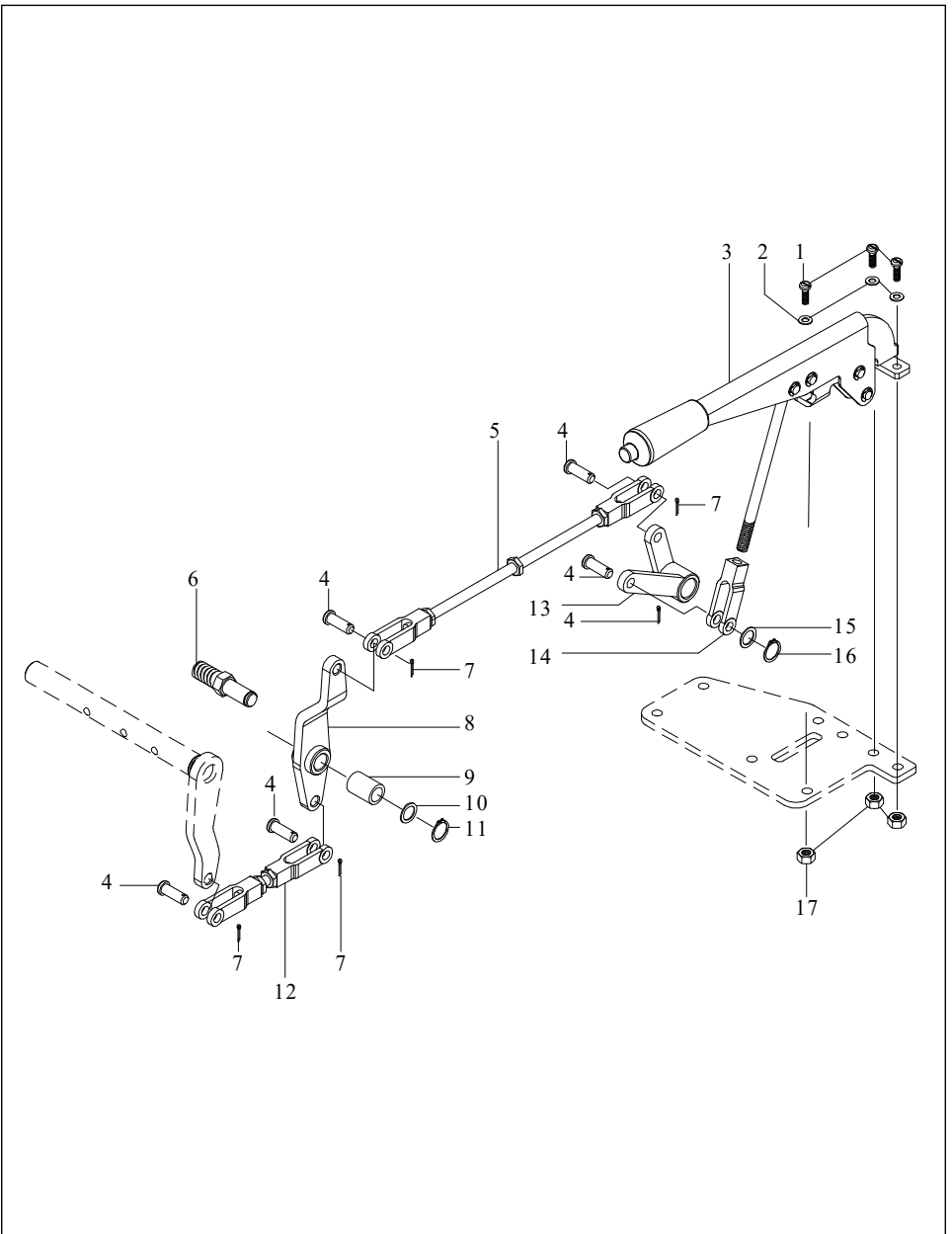


**TABLE-36****CLUTCH OUTER CONTROL**

<b>Fig. No.</b>	<b>Part No.</b>	<b>Description</b>	<b>Qty</b>
1	D10063100.9	LEVER	1
2	D93400070.9	PIN 10X27.5 CLEVIS	2
3	D93400060.9	CLEVIS 10X47.62 ADJUSTABLE	1
4	D83500450.9	NUT M10X1.50 HEX	1
5	D93400110.9	PIN 3.2X25.0 COTTER	2
6	D10043380.9	ROD FORWARD REVERSE LOCK	1
7	D10043400.9	SPRING FORWARD REVERSE LOCK	1
8	D10043370.9	HUB AND LEVER ASSEMBLY FORWARD REVERSE	1
9	D10042730.9	WASHER 15.5X30 DIFFERENTIAL LOCK BUSH THRUST	1
10	D90000180.9	CIRCLIP A15X0.90 SB	1
11	D10043390.9	BRACKET ASSEMBLY GEAR SHIFT LEVER PIVOT	1
11A	D86000060.9	WASHER 1/2" SPRING LOCK	4
12	D81500040.9	BOLT M12X1.75X35-8.8 HEX HEAD	4
13	D10039500.9	PEDAL ASSEMBLY TRANSMISSION CLUTCH	1
14	D10042840.9	PAD PEDAL	1
15	D81500030.9	BOLT M8X1.25X35-6.6 HEX HEAD	2
16	D10042870.9	SHAFT AND LEVER ASSEMBLY PTO CLUTCH RELEASE	1
17	D10013460.9	PIN 1/8"X0.75" COTTER	1
18	D10012380.9	SPRING ASSEMBLY CLUTCH PEDAL LEVER ASSIST	1
19	D93400030.9	PIN 3/8"X1.14" CLEVIS	2
20	D10012260.9	WASHER BRAKE PEDAL CROSS SHAFT THRUST	2
21	D10043000.9	BRACKET CLUTCH PEDAL SPRING PIVOT REAR	1
22	D10043990.9	ROD AND CLEVIS ASSEMBLY	1
23	D10087240.9	BUSH CLUTCH PEDAL	1
24	D92500050.9	GREASE NIPPLE 1/4"-28 STRAIGHT FITTING	1

**TABLE-37**

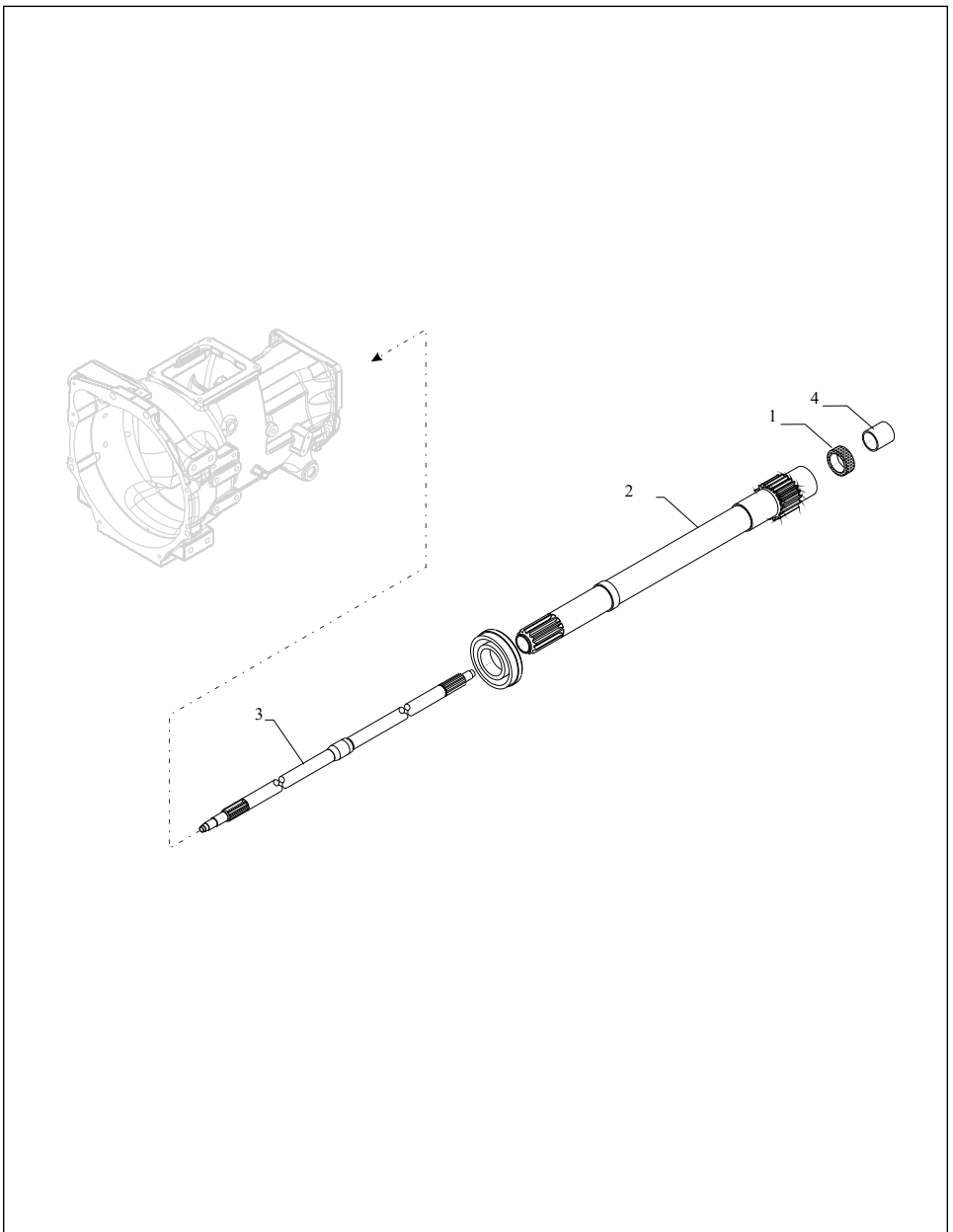
**PTO CLUTCH OUTER CONTROL**



**TABLE-37****PTO CLUTCH OUTER CONTROL**

<b>Fig. No.</b>	<b>Part No.</b>	<b>Description</b>	<b>Qty</b>
1	D81500490.9	BOLT M6X1.00X20-9.8 HEX HEAD	3
2	D85500040.9	WASHER M6 FLAT	3
3	D10039780.9	LEVER ASSEMBLY PTO CLUTCH	1
4	D93400030.9	PIN 3/8"X1.14" CLEVIS	5
5	D10042880.9	ROD CLEVIS ASSEMBLY PTO	1
6	D10043480.9	PIN PTO CLUTCH	1
7	D10013460.9	PIN 1/8"X0.75" COTTER	5
8	D10042890.9	HUB LEVER ASSEMBLY	1
9	D10042700.9	BUSH	1
10	D10042730.9	WASHER 15.5X30 DIFFERENTIAL LOCK BUSH THRUST	1
11	D90000180.9	CIRCLIP A15X0.90 SB	1
12	D10043140.9	LINK ASSEMBLY PARKING BRAKE	1
13	D10324420.9	SLEEVE AND BUSH ASSEMBLY PTO CLUTCH	1
14	D93400060.9	CLEVIS 10X47.62 ADJUSTABLE	1
15	D10012260.9	WASHER BRAKE PEDAL CROSS SHAFT THRUST	1
16	D10012470.9	RING CLUTCH AND BRAKE CROSS SHAFT LOCK	1
17	D83500220.9	NUT M6X1.00-5 HEX	3

**TABLE-38**  
**CLUTCH - SHAFTS**

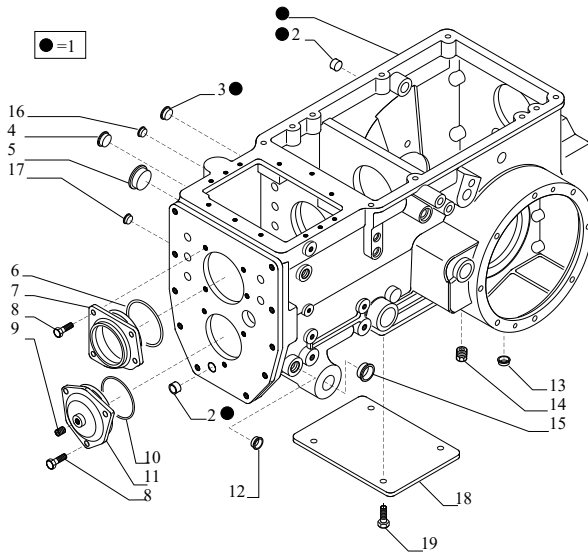




**TABLE-38****CLUTCH - SHAFTS**

<b>Fig. No.</b>	<b>Part No.</b>	<b>Description</b>	<b>Qty</b>
1	D10062520.9	SEAL OIL	1
2	D10160130.9	TRANSMISSION SHAFT (CARRARO PART NO 147576)	1
3	D10243150.9	SHAFT CLUTCH (CARRARO PART NO 147594)	1
5	D10065650.9	BUSH	1

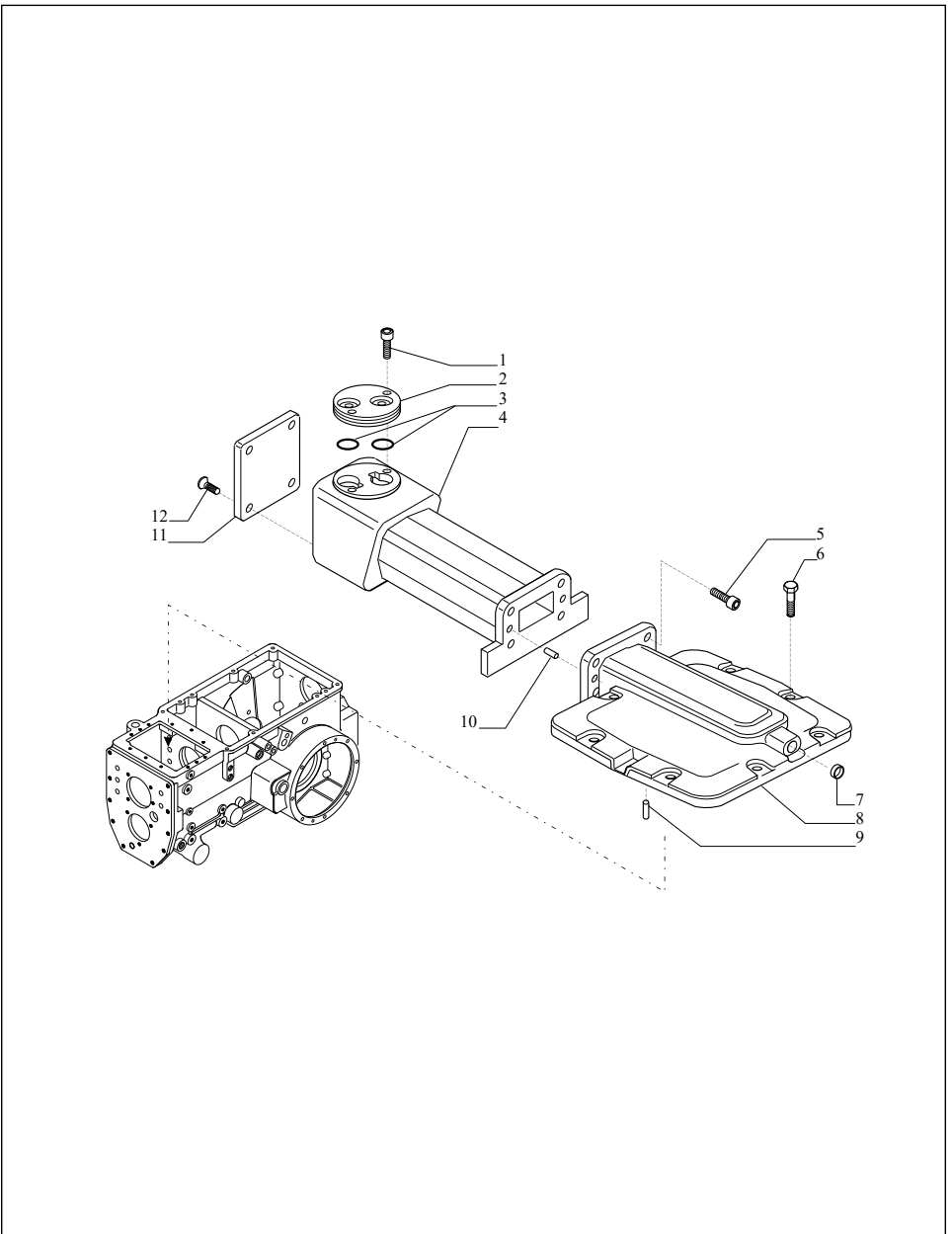
**TABLE-39**  
**GEAR BOX HOUSING**



**TABLE-39**  
**GEAR BOX HOUSING**

Fig. No.	Part No.	Description	Qty
1	D10243040.9	KIT GEAR BOX HOUSING (CARRARO PART NO 068323)	1
2	D10062570.9	PLUG D20.35 (CARRARO PART NO 138341)	2
3	D10062590.9	PLUG D15.5 (CARRARO PART NO 77157)	3
4	D10062600.9	PLUG D20.5 (CARRARO PART NO 30763)	1
5	D10062610.9	PLUG D39	1
6	D10062620.9	SEAL O RING	1
7	D10062630.9	COVER	1
8	D81501040.9	BOLT M8X1.25X25-9.8 HEX HEAD	7
9	D10062660.9	PLUG	1
10	D10062670.9	O RING	1
11	D10062690.9	COVER	1
12	D10062710.9	PLUG	1
13	D10062720.9	PLUG D14.5 (CARRARO PART NO 30755)	12
14	D10084970.9	PLUG M24X1.5	1
15	D10062760.9	PLUG D26	4
16	D10062780.9	PLUG D7	3
17	D10062790.9	PLUG D11	10
18	D10062770.9	COVER	1
19	D81500840.9	BOLT M12X35 HEX HEAD	4

**TABLE-40**  
**LEVERS COVER**

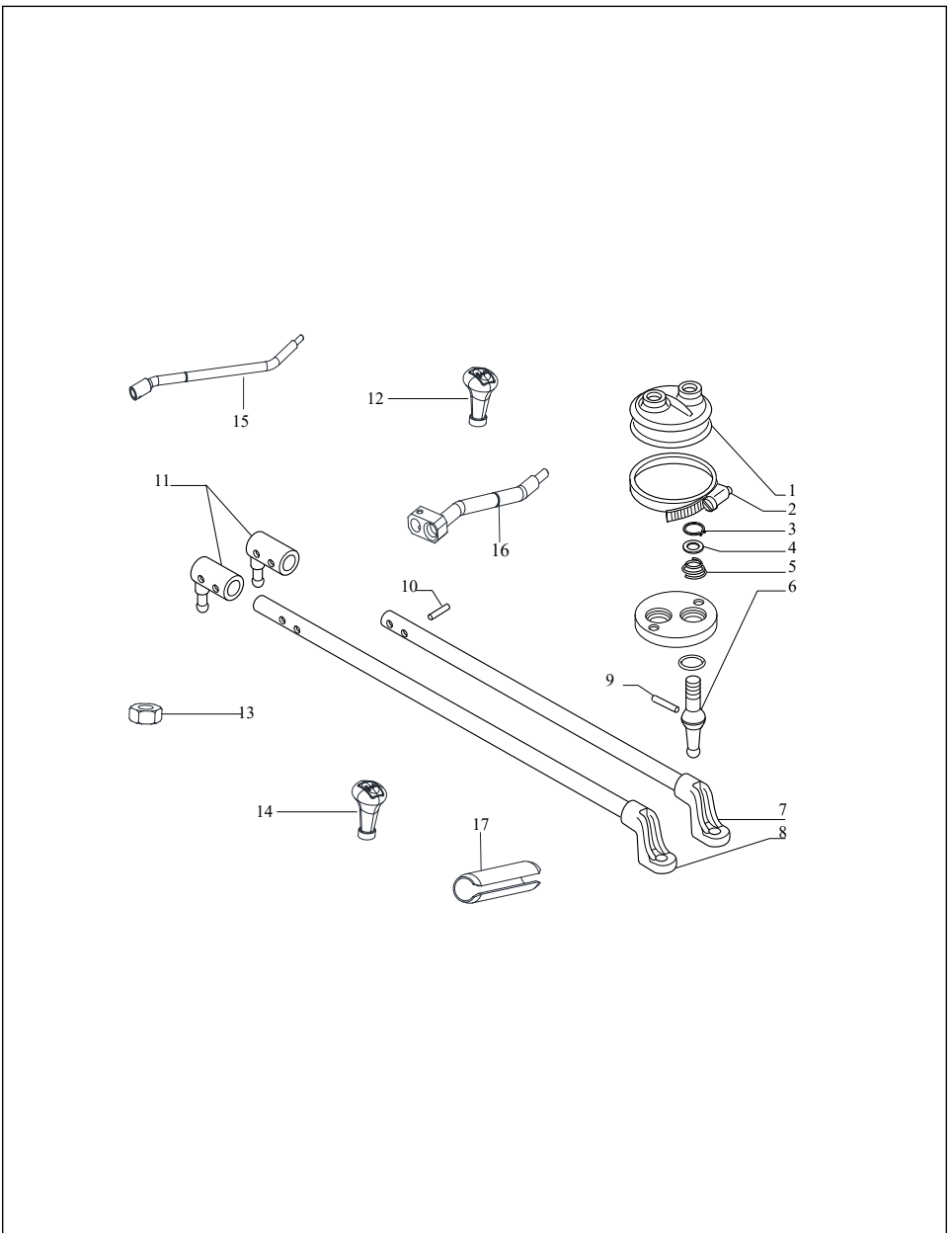


**TABLE-40****LEVERS COVER**

<b>Fig. No.</b>	<b>Part No.</b>	<b>Description</b>	<b>Qty</b>
1	D82500420.9	SCREW M8X16	2
2	D10062820.9	COVER	1
3	D10062860.9	SEAL O RING	2
4	D10062870.9	LEVER SUPPORT	1
5	D82500440.9	SCREW M8X25	4
6	D10138670.9	BOLT HEX (CARRARO PART NO 127922)	8
7	D10062880.9	PLUG	1
8	D10062890.9	COVER	1
9	D10062900.9	PIN	2
10	D10062910.9	PIN	2
11	D10062920.9	COVER	1
12	D81500980.9	BOLT M6X12	4

**TABLE-41**

**TRANSMISSION GEAR BOX OUTER CONTROL**



**TABLE-41****TRANSMISSION GEAR BOX OUTER CONTROL**

<b>Fig. No.</b>	<b>Part No.</b>	<b>Description</b>	<b>Qty</b>
1	D10136530.9	BOOT (CARRARO PART NO 146026)	1
2	D10062960.9	CLAMP HOSE	1
3	D90000340.9	RING SNAP D16 (CARRARO PART NO 024771)	2
4	D10063030.9	SHIM 26X16.5X1 (CARRARO PART NO 133992)	2
5	D10063040.9	SPRING	2
6	D10063050.9	LEVER	2
7	D10063060.9	INNER ROD	1
8	D10063070.9	ROD INNER	1
9	D10062910.9	PIN	2
10	D93400250.9	PIN 6X26 COTTER (CARRARO PART NO 24403)	4
11	D10063120.9	LEVER INNER	2
12	D10124520.9	KNOB GEAR SHIFT HIGH LOW MEDIUM	1
13-1	D83500080.9	NUT M10X1.00-8 HEX	2
14	D10124530.9	KNOB GEAR SHIFT MAIN	1
15	D10043030.9	LEVER AND HUB ASSEMBLY TRANSMISSION	1
16	D10043060.9	LEVER AND HUB ASSEMBLY TRANSMISSION GEAR SHIFT	1
17	D87000110.9	PIN 6X25 SPRING DOWEL	2



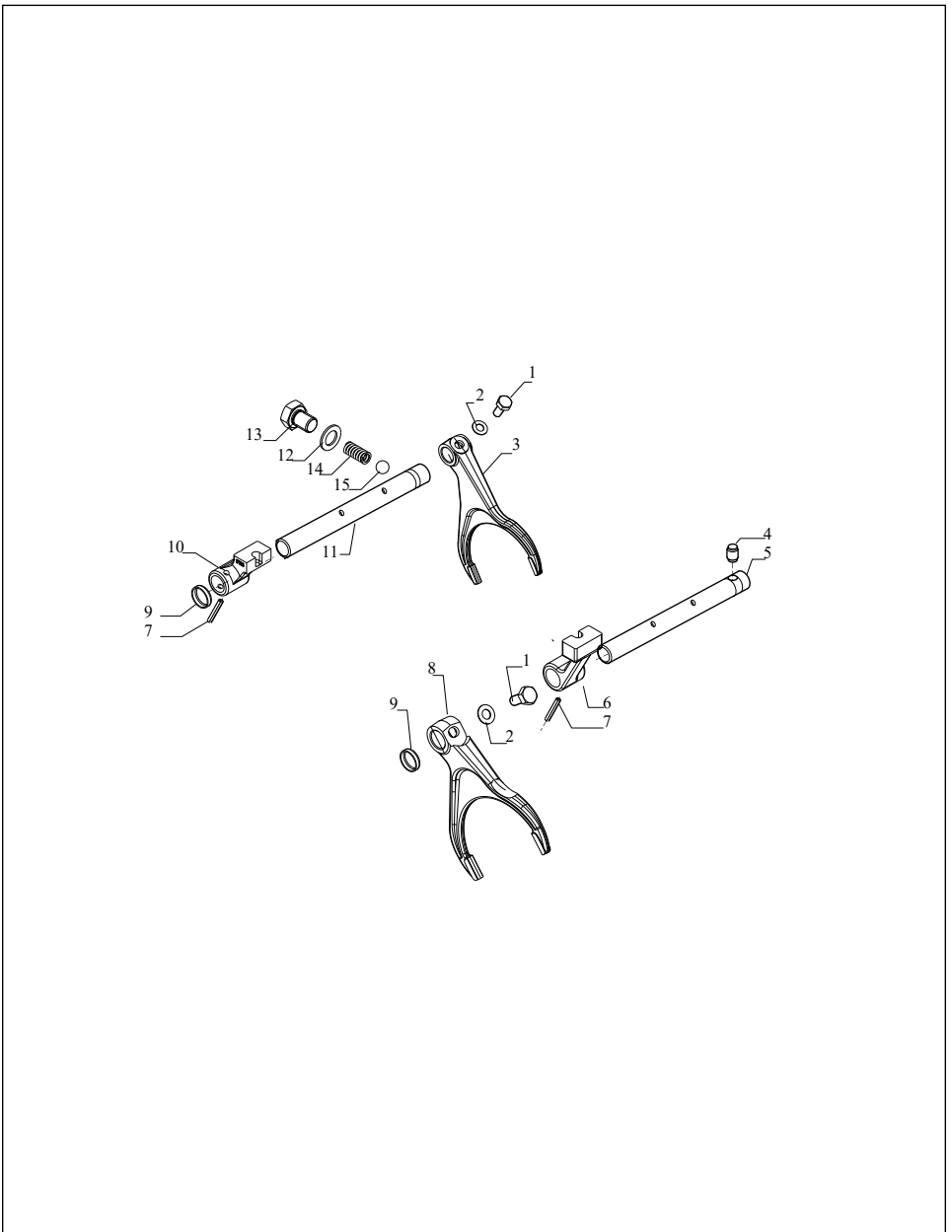


**TABLE-42****REVERSE OUTER CONTROL**

<b>Fig. No.</b>	<b>Part No.</b>	<b>Description</b>	<b>Qty</b>
1	D10043280.9	CLEVIS FORWARD REVERSE GEAR	2
2	D87000120.9	PIN 6X30 SPRING DOWEL	1
3	D10227220.9	ROD FORWARD REVERSE CLEVIS	1
4-1	D83500060.9	NUT M8X1.25-6 HEX	2
5	D81500370.9	BOLT M10X1.50X30-9.8 HEX HEAD	2
6	D92000010.9	GREASE NIPPLE 1/8"-27 ELBOW FITTING	1
7	D10222190.9	TUBE ASSEMBLY GEAR SHIFT FORWARD REVERSE	1
8	D10227230.9	ADAPTOR TUBE FORWARD REVERSE GEAR	2
9	D10042080.9	RETAINER FORWARD REVERSE GEAR SHIFTER SHAFT	1
10	D87000120.9	PIN 6X30 SPRING DOWEL	1
11	D10223820.9	LEVER CROSS SHAFT FORWARD REVERSE GEAR RH	1
12	D10042120.9	PIN 9.85X23 CLEVIS	1
13	D85500140.9	WASHER M10 FLAT	1
14	D10013470.9	PIN 1/8"X1.00" COTTER	1
15	D10227210.9	HANDLE ASSEMBLY FORWARD REVERSE GEAR SHIFTER	1
17	D10124510.9	KNOB GEAR SHIFT FORWARD REVERSE	1
18	D10043270.9	ADAPTER TUBE FORWARD REVERSE	1
19	D10043300.9	ROD FORWARD REVERSE GEAR SHIFTER RH	1

**TABLE-43**

**GEAR BOX INNER CONTROL**

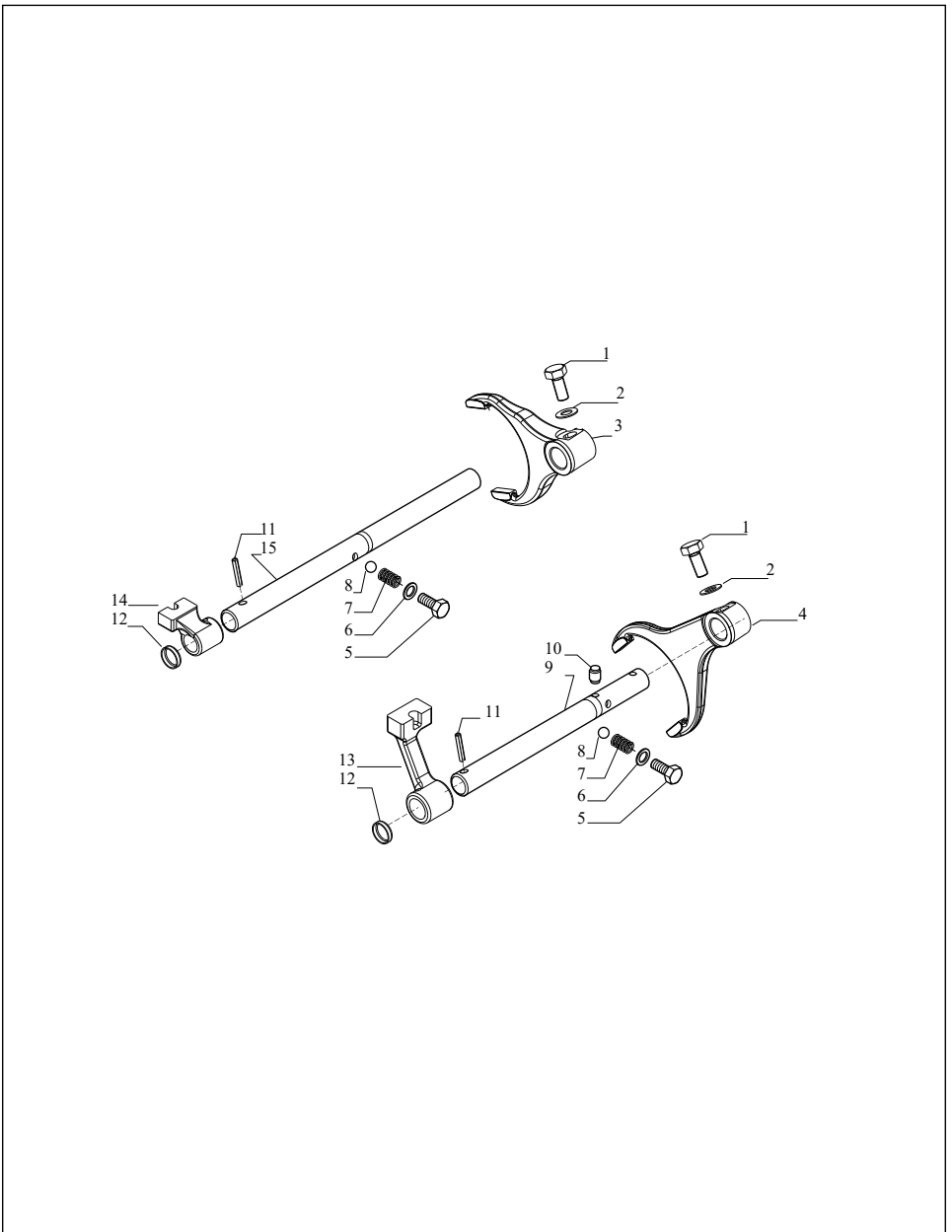


**TABLE-43****GEAR BOX INNER CONTROL**

<b>Fig. No.</b>	<b>Part No.</b>	<b>Description</b>	<b>Qty</b>
1	D10264330.9	BOLT (CARRARO PART NO 107990)	2
2	D10063140.9	WASHER	2
3	D10063250.9	FORK 1-2	1
4	D10063260.9	PIN LOCK	1
5	D10540390.9	ROD (CARRARO PART NO 414526)	1
6	D10063290.9	BLOCK	1
7	D10063300.9	PIN	2
8	D10063320.9	FORK 3-4	1
9	D10062570.9	PLUG D20.35 (CARRARO PART NO 138341)	2
10	D10063330.9	BLOCK	1
11	D10540400.9	ROD (CARRARO PART NO 414525)	1
12	D10240920.9	WASHER (CARRARO PART NO 023288)	2
13	D10240930.9	SCREW (CARRARO PART NO 138003)	2
14	D10240940.9	SPRING (CARRARO PART NO 641673)	2
15	D10063380.9	BALL	2

**TABLE-44**

**REDUCER INNER CONTROLS**

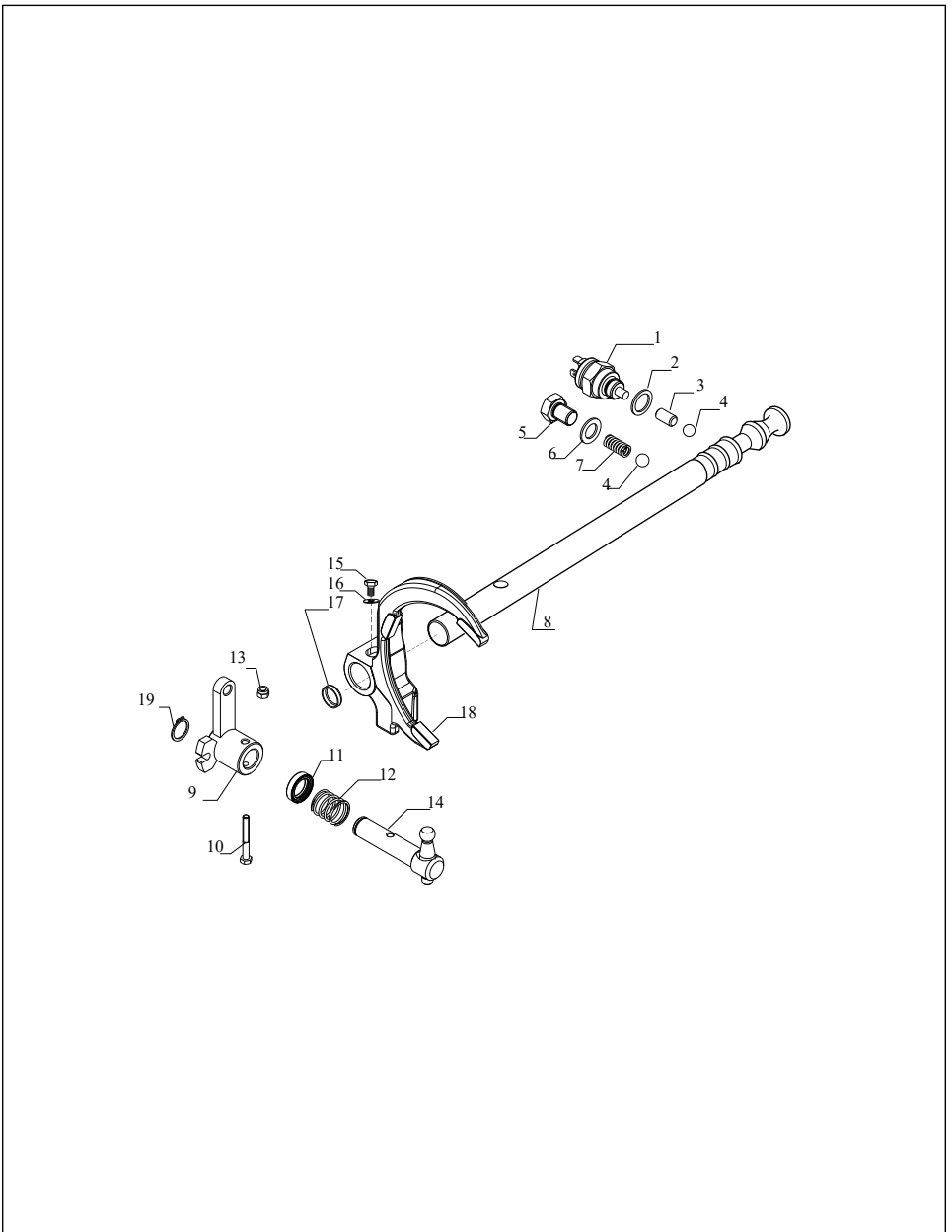


**TABLE-44****REDUCER INNER CONTROLS**

<b>Fig. No.</b>	<b>Part No.</b>	<b>Description</b>	<b>Qty</b>
1	D10264330.9	BOLT (CARRARO PART NO 107990)	2
2	D10063140.9	WASHER	2
3	D10063390.9	FORK	1
4	D10063450.9	FORK	1
5	D10240930.9	SCREW (CARRARO PART NO 138003)	2
6	D10240920.9	WASHER (CARRARO PART NO 023288)	2
7	D10240940.9	SPRING (CARRARO PART NO 641673)	2
8	D10063380.9	BALL	2
9	D10063440.9	ROD	1
10	D10063260.9	PIN LOCK	1
11	D10063300.9	PIN	2
12	D10062570.9	PLUG D20.35 (CARRARO PART NO 138341)	2
13	D10063290.9	BLOCK	1
14	D10063330.9	BLOCK	1
15	D10063430.9	ROD	1

**TABLE-45**

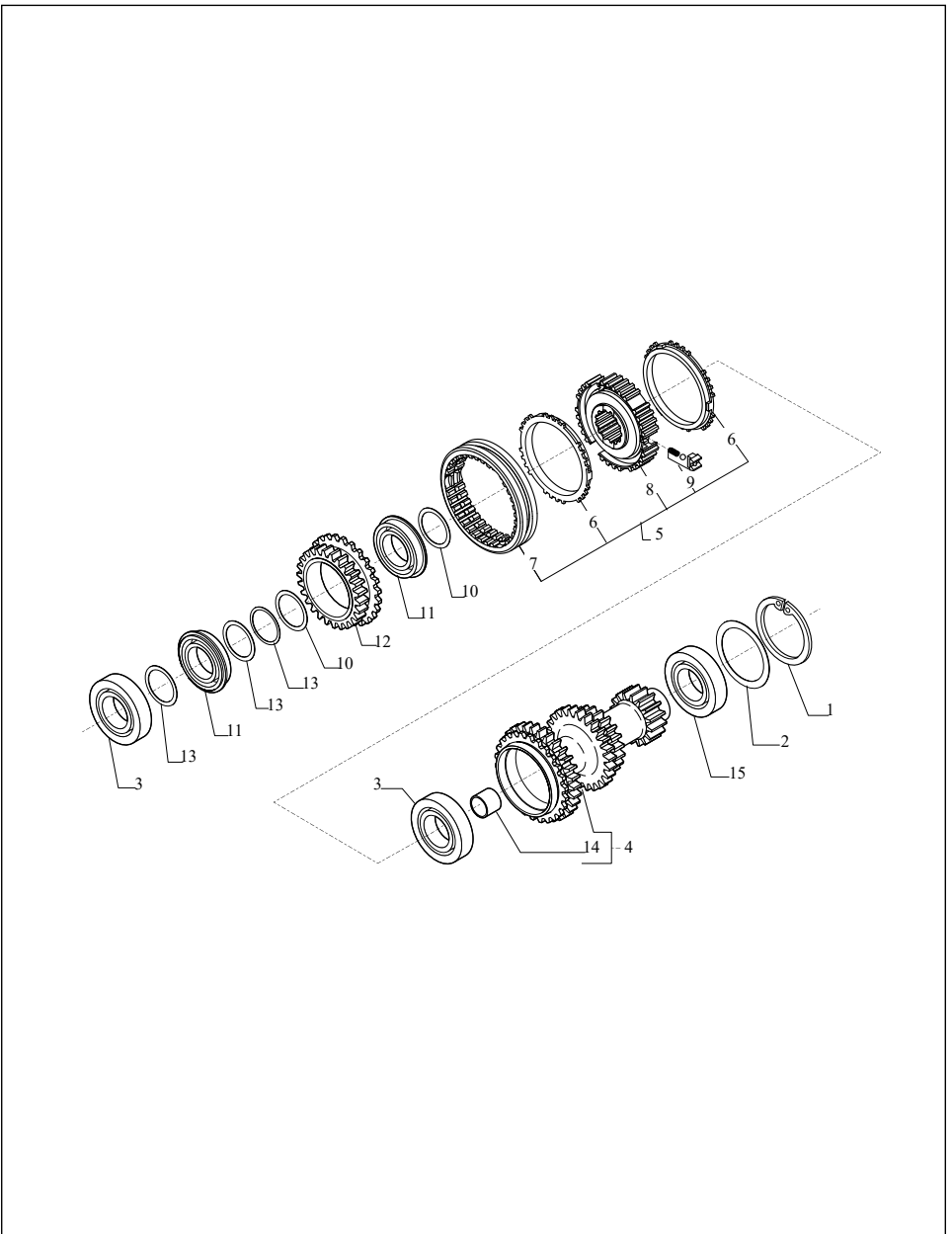
**REVERSE INNER CONTROLS**



**TABLE-45****REVERSE INNER CONTROLS**

<b>Fig. No.</b>	<b>Part No.</b>	<b>Description</b>	<b>Qty</b>
1	D10063460.9	SENSOR	1
2	D10063470.9	WASHER	1
3	D10063480.9	PIN D9X17	1
4	D10063380.9	BALL	2
5	D10240930.9	SCREW (CARRARO PART NO 138003)	1
6	D10240920.9	WASHER (CARRARO PART NO 023288)	1
7	D10240940.9	SPRING (CARRARO PART NO 641673)	1
8	D10072640.9	ROD (CARRARO PART NO 142422)	1
9	D10540420.9	LEVER (CARRARO PART NO 421482)	1
10	D10540430.9	SCREW (CARRARO PART NO 421328)	1
11	D10110420.9	SEALING RING (CARRARO PART NO 025107)	1
12	D10063510.9	SPRING (CARRARO PART NO 118067)	1
13	D10241150.9	NUT M6 HYDRAULIC LIFTING CONTROL INSIDE (CARRARO PART NO 022405)	1
14	D10540440.9	LEVER (CARRARO PART NO 421481)	1
15	D10264330.9	BOLT (CARRARO PART NO 107990)	1
16	D10063140.9	WASHER	1
17	D10062570.9	PLUG D20.35 (CARRARO PART NO 138341)	1
18	D10072630.9	FORK (CARRARO PART NO 142423)	1
19	D10249770.9	RING SNAP (CARRARO PART NO 024775)	1

**TABLE-46**  
**PRIMARY SHAFT**



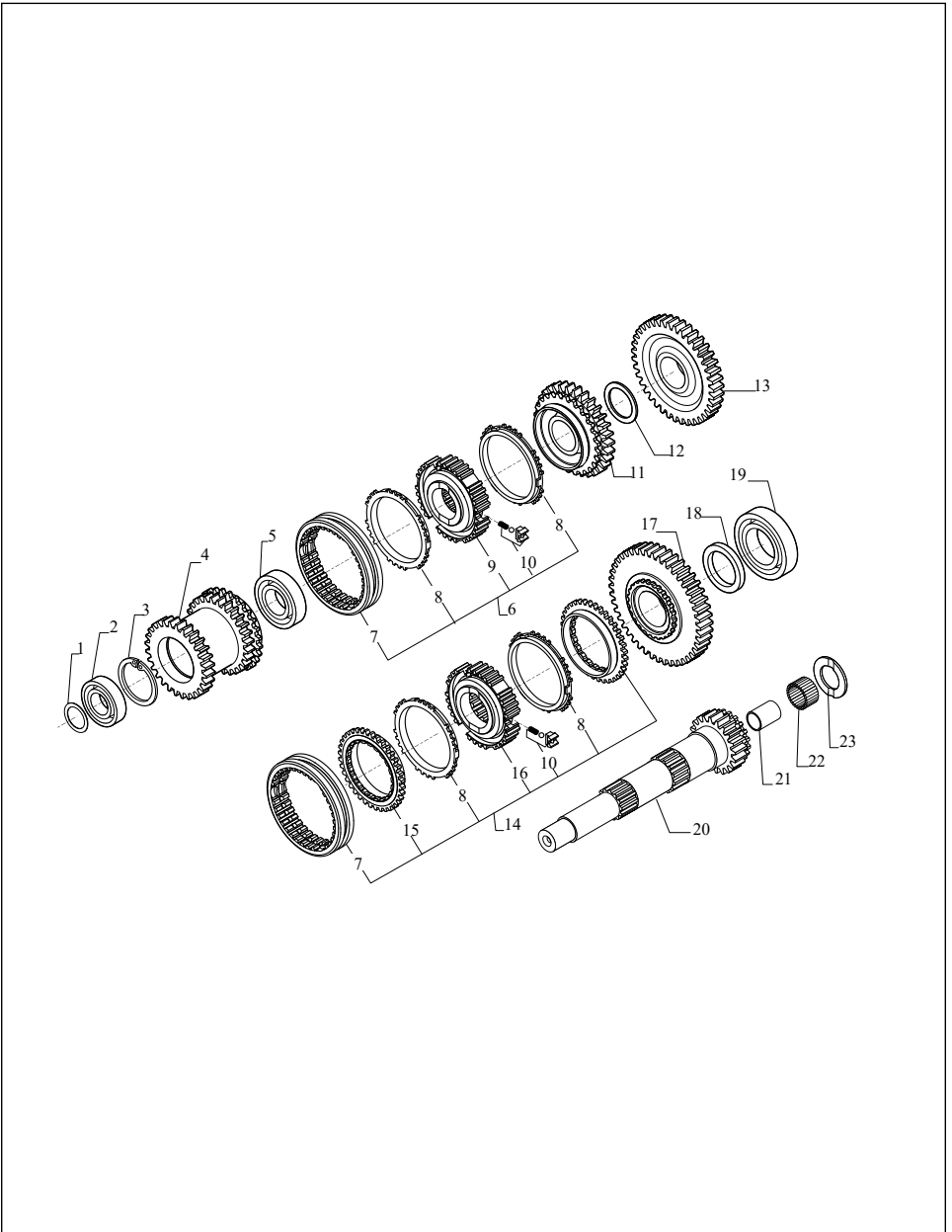


**TABLE-46****PRIMARY SHAFT**

<b>Fig. No.</b>	<b>Part No.</b>	<b>Description</b>	<b>Qty</b>
1	D90000280.9	RING SNAP	1
2	D10063550.9	SHIM 0.1MM (CARRARO PART NO 97198)	AR
2A	D10063560.9	SHIM 0.3MM (CARRARO PART NO 97197)	AR
2B	D10065170.9	SHIM 0.05MM (CARRARO PART NO 102302)	AR
3	D10063570.9	BEARING	2
4	D10063580.9	SHAFT PRIMARY	1
5	D10076790.9	KIT SYNCHRONIZER	1
6	D10136570.9	RING SYNCHRONIZER (CARRARO PART NO 046371 AND 046086)	2
7	D10540460.9	SLEEVE (CARRARO PART NO 414855)	1
8	D10540470.9	HUB (CARRARO PART NO 429733)	1
9	D10540490.9	KIT SPRING (CARRARO PART NO 414856)	1
10	D10063600.9	SHIM 0.5MM (CARRARO PART NO 133360)	3
11	D10063610.9	BEARING	2
12	D10063620.9	GEAR Z=26	1
13	D10063600.9	SHIM 0.5MM (CARRARO PART NO 133360)	AR
13A	D10063640.9	SHIM 0.3MM (CARRARO PART NO 132815)	AR
13B	D10063660.9	SHIM 0.5MM (CARRARO PART NO 132824)	AR
14	D10062540.9	BUSH	1
15	D10372990.9	BEARING 6208 (CARRARO PART NO 429424)	1

TABLE-47

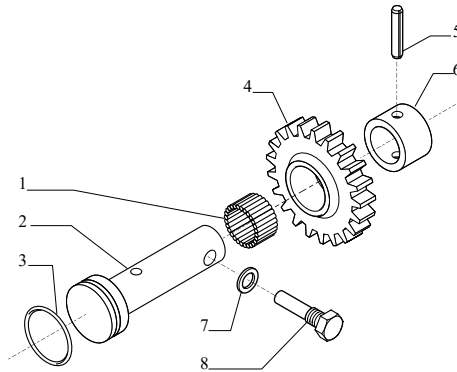
SECONDARY SHAFT



**TABLE-47****SECONDARY SHAFT**

Fig. No.	Part No.	Description	Qty
1	D10063810.9	SPACER	1
2	D10063800.9	BEARING	1
3	D90000290.9	RING SNAP	1
4	D10063790.9	GEAR Z=28/28	1
5	D10063780.9	BEARING	1
6	D10372810.9	KIT SYNCHRONIZER 3RD AND 4TH SPEED (CARRARO PART NO 414384)	1
7	D10540460.9	SLEEVE (CARRARO PART NO 414855)	2
8	D10136690.9	RING SYNCHRONISER (CARRARO PART NO 046330 AND 046088)	4
9	D10540480.9	HUB (CARRARO PART NO 414857)	1
10	D10540490.9	KIT SPRING (CARRARO PART NO 414856)	6
11	D10063770.9	GEAR Z=33	1
12	D10063760.9	SPACER	AR
12A	D10243130.9	SHIM 3.2MM (CARRARO PART NO 143731)	AR
12B	D10243140.9	SHIM 3.4MM (CARRARO PART NO 143732)	AR
12C	D10065630.9	WASHER COPPER	AR
13	D10372760.9	GEAR TRANSMISSION 2ND SPEED (CARRARO PART NO 429723)	1
14	D10136670.9	KIT SYCHRONIZER (CARRARO PART NO 046093 AND 046094)	1
15	D10136680.9	COUPLING RING (CARRARO PART NO 046374 AND 046090)	2
16	D10540510.9	HUB (CARRARO PART NO 414854)	1
17	D10372750.9	GEAR TRANSMISSION 1ST SPEED (CARRARO PART NO 429724)	1
18	D10063690.9	SPACER	1
19	D10063700.9	BEARING	1
20	D10590060.9	SHAFT SECONDARY (CARRARO PART NO 138458)	1
21	D10240960.9	BUSH TRANSMISSION SECONDARY SHAFT (CARRARO PART NO 389314)	1
22	D10136660.9	BEARING NEEDLES (CARRARO PART NO 28298)	1
23	D10240970.9	WASHER THRUST TRANSMISSION SECONDARY SHAFT (CARRARO PART NO 122969)	1

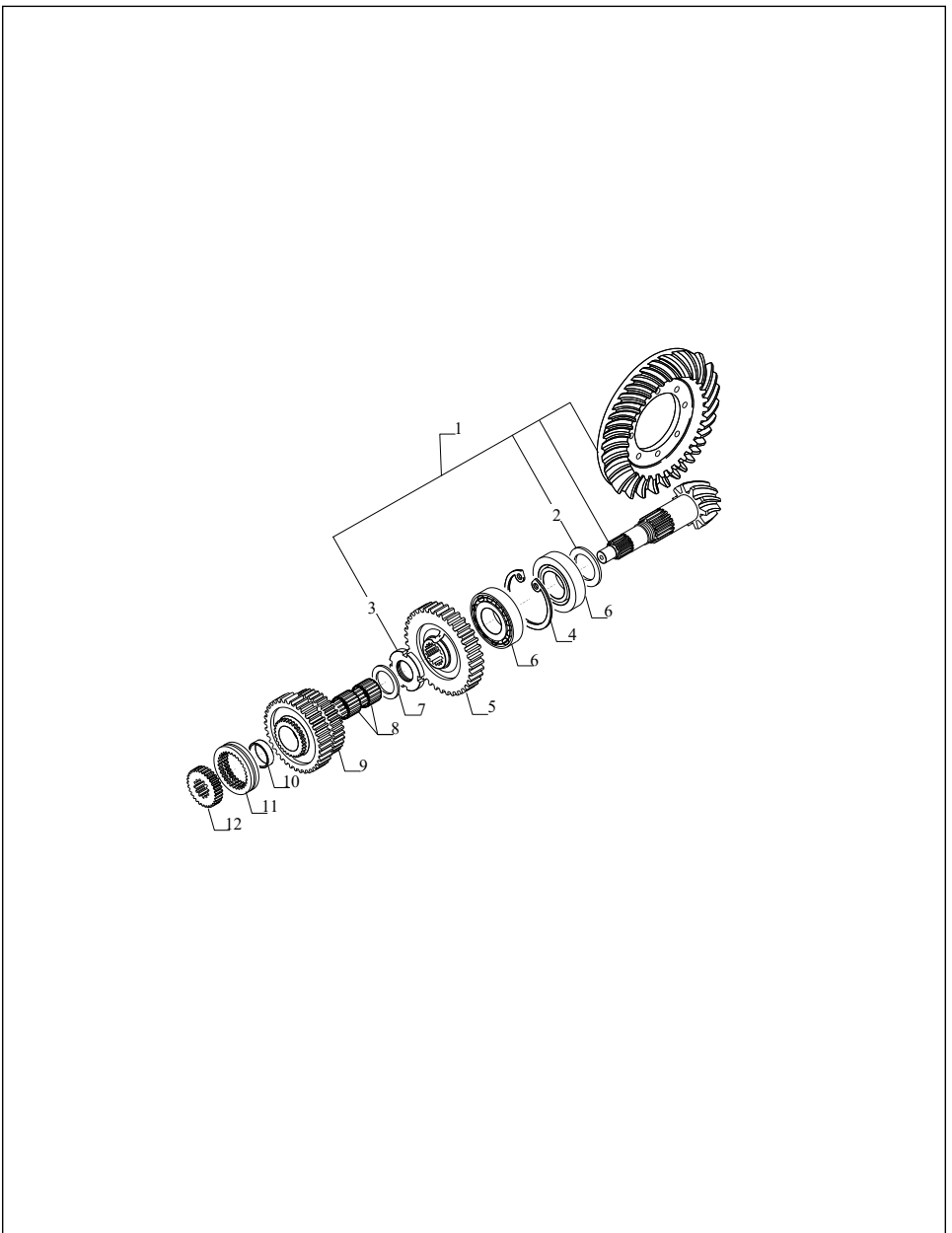
**TABLE-48**  
**REVERSE GEAR**



**TABLE-48****REVERSE GEAR**

<b>Fig. No.</b>	<b>Part No.</b>	<b>Description</b>	<b>Qty</b>
1	D10063860.9	BEARING NEEDLES	1
2	D10063870.9	SHAFT	1
3	D10063880.9	SEAL O RING	1
4	D10063890.9	GEAR Z=21	1
5	D93400210.9	PIN COTTER	1
6	D10063900.9	BUSH	1
7	D10063910.9	WASHER	1
8	D82500360.9	SCREW M12X47	1

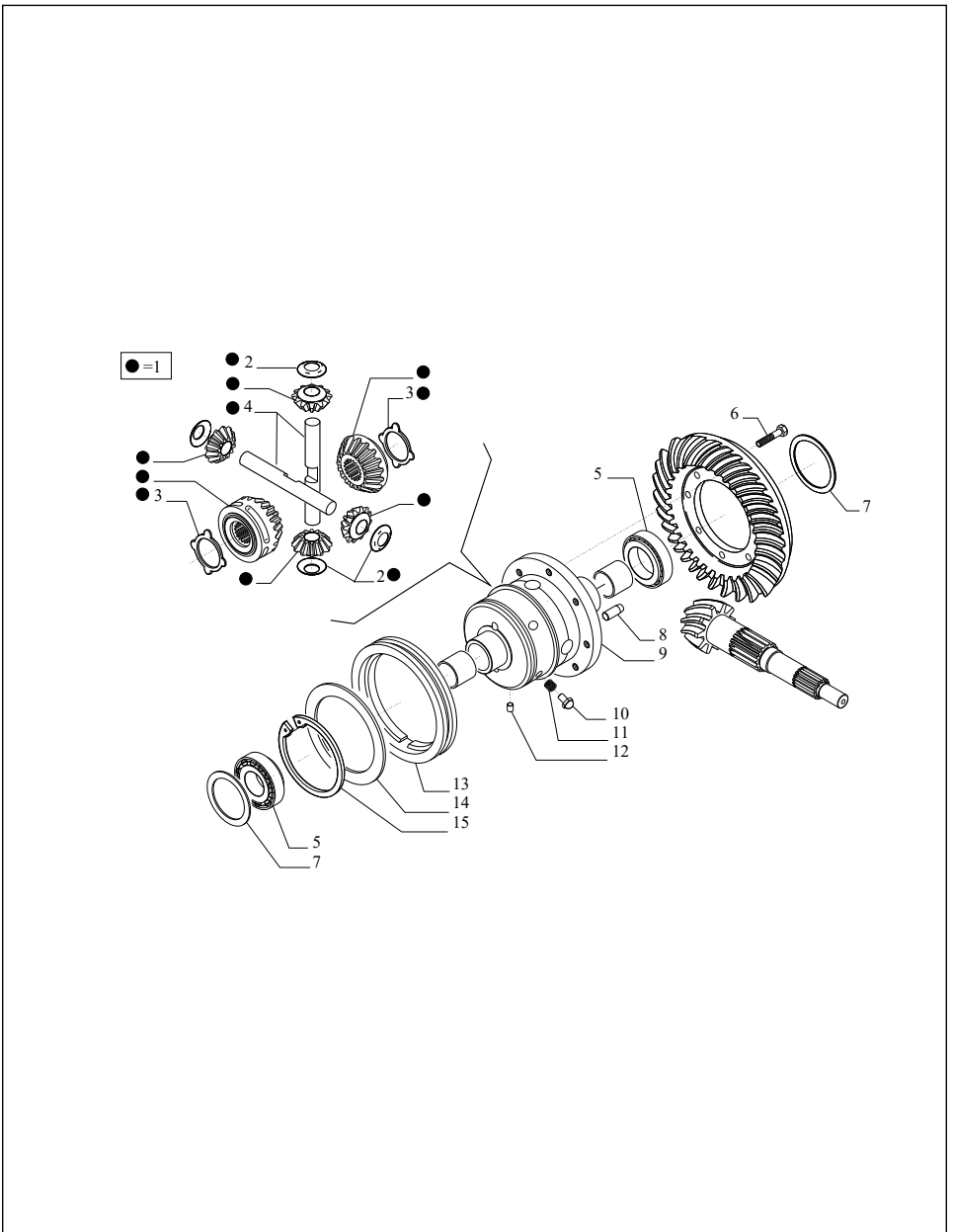
**TABLE-49**  
**BEVEL GEAR SET**



**TABLE-49**  
**BEVEL GEAR SET**

Fig. No.	Part No.	Description	Qty
1	D10282300.9	GEAR SET BEVEL Z-14/38 (CARRARO PART NO 064260)	1
2	D10136890.9	KIT SHIM (CARRARO PART NO 068289)	AR
3	D10064080.9	RING NUT M45X15	1
4	D90000300.9	RING SNAP	1
5	D10064070.9	GEAR Z=40	1
6	D10064060.9	BEARING	2
7	D10064090.9	WASHER THRUST	1
8	D10240980.9	BEARING NEEDLE ROLLER KIT (CARRARO PART NO 386338)	2
9	D10064110.9	GEAR Z=34/26	1
10	D10064120.9	SPACER	1
11	D10064130.9	COLLAR	1
12	D10064140.9	CLUTCH CENTRAL	1

**TABLE-50**  
**REAR DIFFERENTIAL**



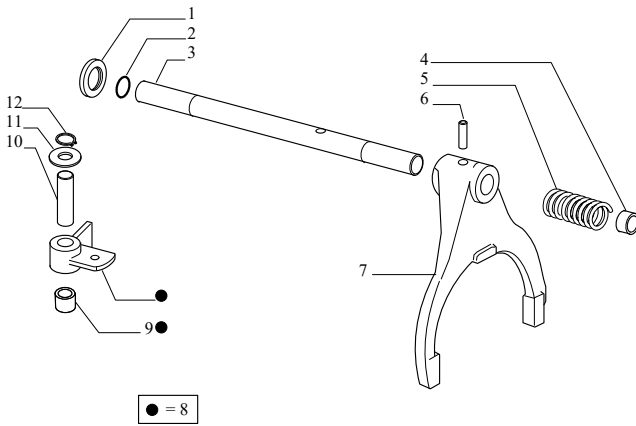


**TABLE-50**  
**REAR DIFFERENTIAL**

Fig. No.	Part No.	Description	Qty
1	D10081590.9	KIT DIFFERENTIAL (CARRARO PART NO 066739)	1
2	D10064160.9	WASHER THRUST	4
3	D10064170.9	WASHER THRUST	2
4	D10064180.9	SHAFT	2
5	D10064190.9	BEARING	2
6	D10266550.9	BOLT (CARRARO PART NO 141506)	8
7	D10064200.9	SHIM 0.1MM (CARRARO PART NO 98817)	AR
7A	D10064210.9	SHIM 0.3MM (CARRARO PART NO 98818)	AR
7B	D10064220.9	SHIM 0.5MM (CARRARO PART NO 98819)	AR
7C	D10064230.9	SHIM 0.05MM (CARRARO PART NO 123850)	AR
8	D10064240.9	PIN 12X30	1
9	D10064250.9	BOX DIFFERENTIAL	1
10	D10064260.9	PIN	4
11	D10064270.9	SPRING	4
12	D10064280.9	PIN	1
13	D10064290.9	SLEEVE	1
14	D10064300.9	FLANGE	1
15	D90000310.9	RING SNAP	1

**TABLE-51**

**REAR DIFFERENTIAL LOCK**

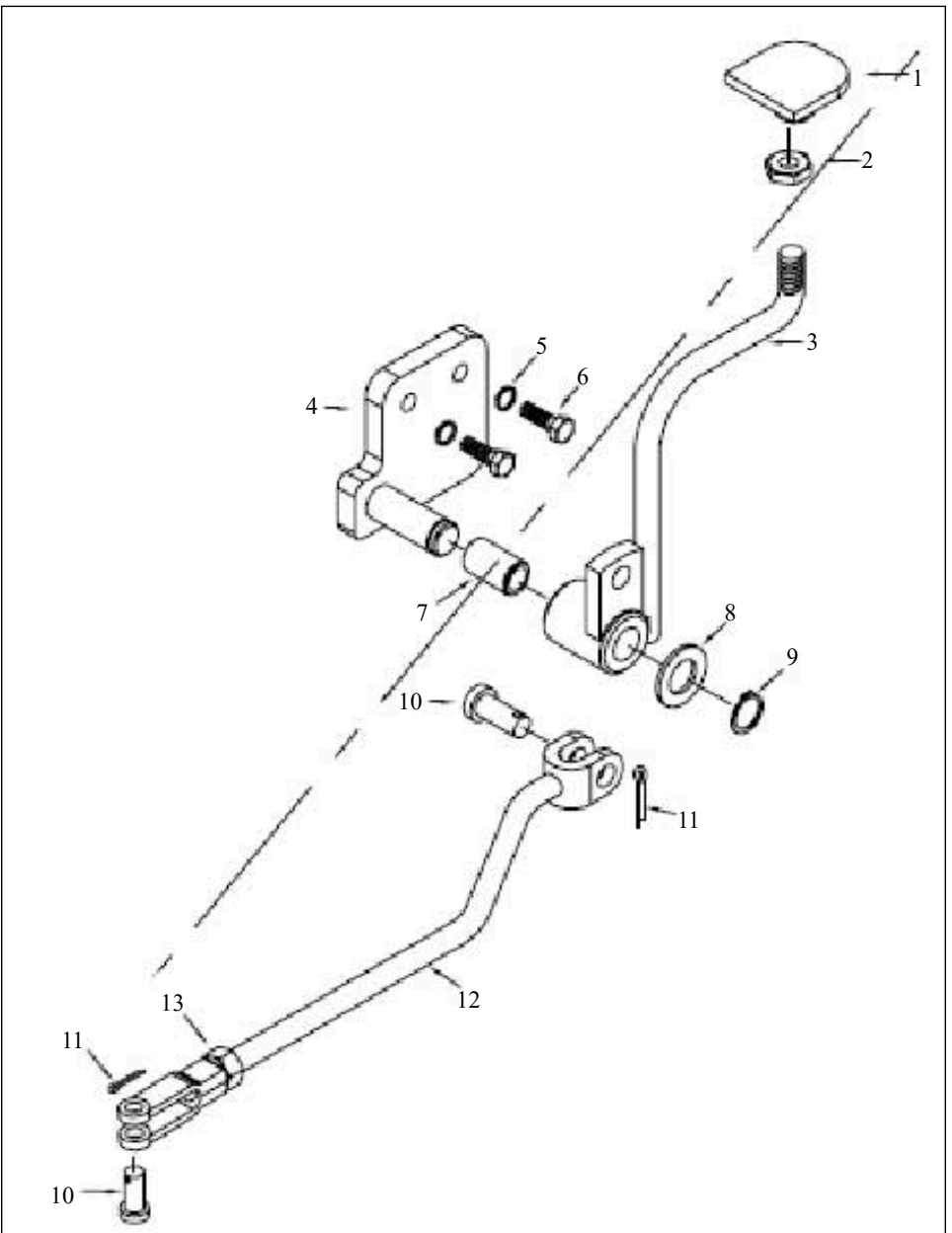


**TABLE-51****REAR DIFFERENTIAL LOCK**

<b>Fig. No.</b>	<b>Part No.</b>	<b>Description</b>	<b>Qty</b>
1	D10064310.9	RING SEAL	1
2	D10064330.9	SEAL O RING (CARRARO PART NO 28111)	1
3	D10064340.9	DIFFERENTIAL BLOCK DRIVE	1
4	D10062570.9	PLUG D20.35 (CARRARO PART NO 138341)	1
5	D10064350.9	SPRING	1
6	D10240810.9	PIN DSX36 (CARRARO PART NO 024445)	1
7	D10282290.9	FORK DIFFERENTIAL BLOCK (CARRARO PART NO 406057)	1
8	D10081620.9	KIT LEVER (CARRARO PART NO 066722)	1
9	D10241000.9	BUSH REAR DIFFERENTIAL LOCK (CARRARO PART NO 121729)	1
10	D10064390.9	PIN 15X51	1
11	D10241010.9	WASHER REAR DIFFERENTIAL LOCK (CARRARO PART NO 105089)	1
12	D10241020.9	RING SNAP (CARRARO PART NO 024770)	1

**TABLE-52**

**DIFFERENTIAL LOCK LINKAGE**

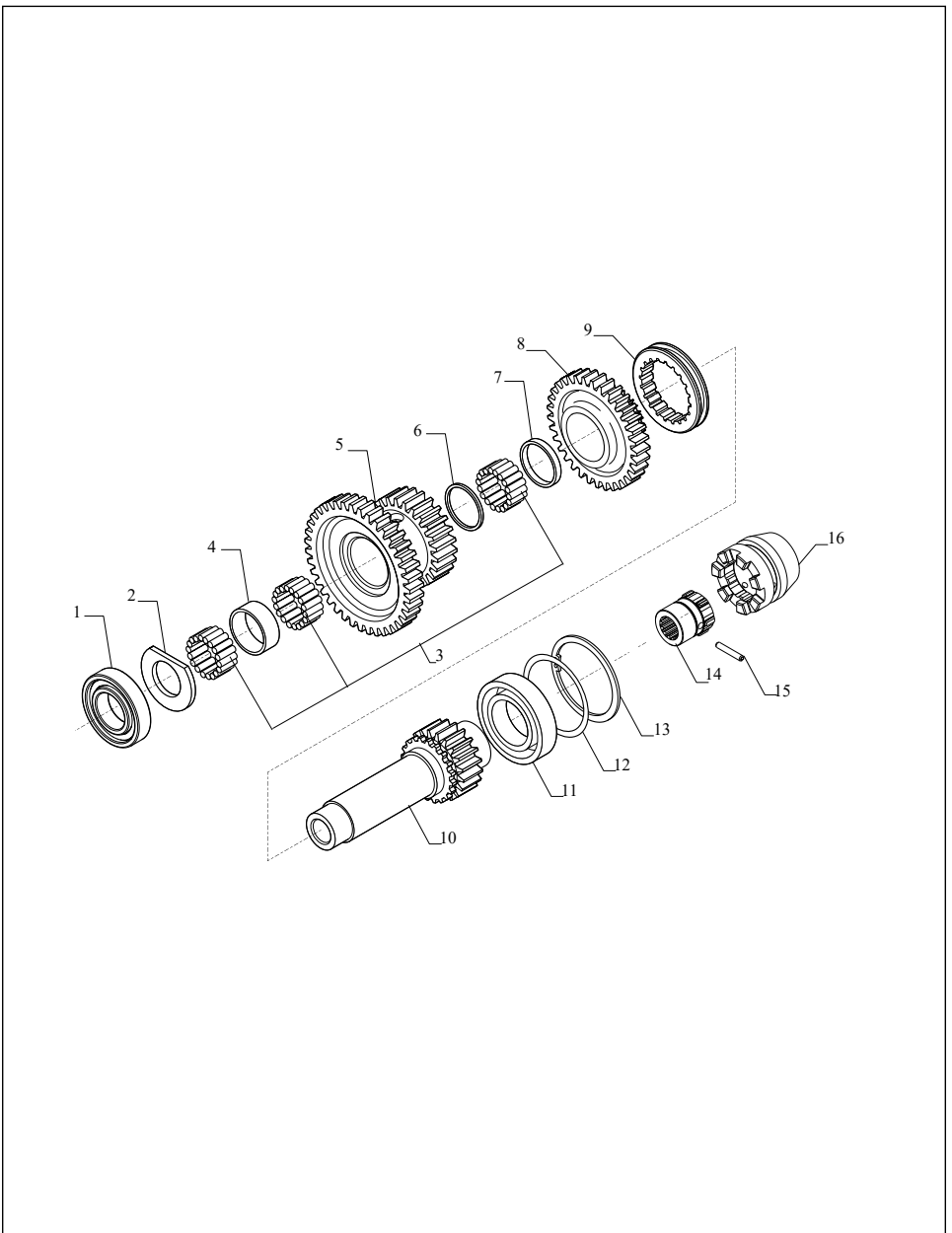


**TABLE-52****DIFFERENTIAL LOCK LINKAGE**

<b>Fig. No.</b>	<b>Part No.</b>	<b>Description</b>	<b>Qty</b>
1	D10043430.9	PEDAL DIFFERENTIAL LOCK	1
2	D83500520.9	NUT M10X1.50-6 HEX HEAD THIN (CHROME PASSIVATED)	1
3	D10039750.9	PEDAL ASSEMBLY REAR AXLE DIFFERENTIAL LOCK	1
4	D10042480.9	BRACKET ASSEMBLY DIFFERENTIAL LOCK PEDAL	1
5	D86500150.9	WASHER M8 SPRING LOCK	2
6	D81500590.9	BOLT M8X1.25X25-6.6 HEX HEAD	2
7	D10042700.9	BUSH	1
8	D10042730.9	WASHER 15.5X30 DIFFERENTIAL LOCK BUSH THRUST	1
9	D90000180.9	CIRCLIP A15X0.90 SB	1
10	D93400030.9	PIN 3/8"X1.14" CLEVIS	2
11	D10013460.9	PIN 1/8"X0.75" COTTER	2
12	D10042720.9	ROD AND CLEVIS ASSEMBLY	1
13	D83500450.9	NUT M10X1.50 HEX	1

**TABLE-53**

**P.T.O. INNER GEARS AND SHAFT**

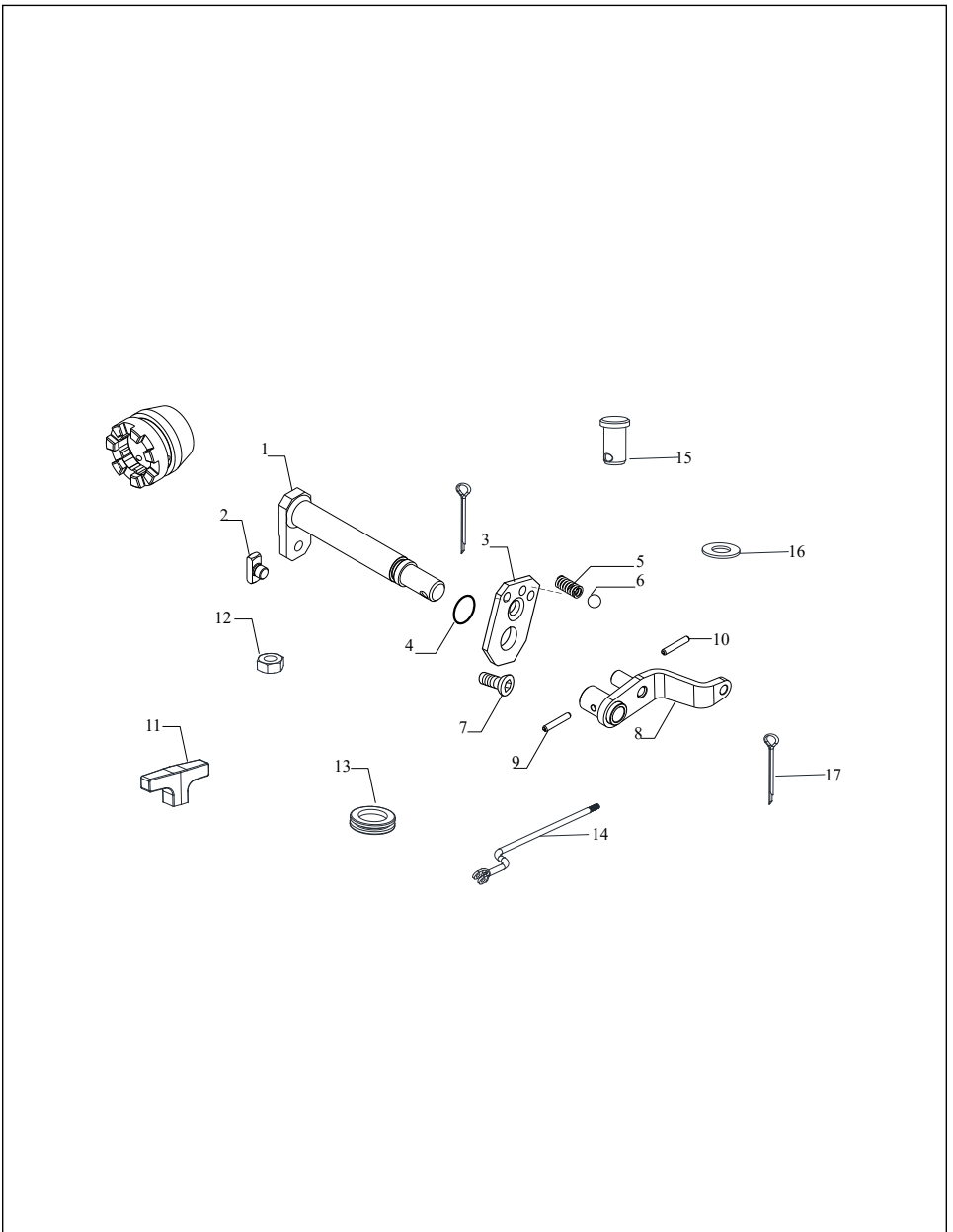


**TABLE-53****P.T.O. INNER GEARS AND SHAFT**

<b>Fig. No.</b>	<b>Part No.</b>	<b>Description</b>	<b>Qty</b>
1	D10372990.9	BEARING 6208 (CARRARO PART NO 429424)	1
2	D10064560.9	WASHER	1
3	D10241030.9	BEARINGS NEEDLE ROLLER KIT PTO GEAR (CARRARO PART NO 374137)	1
4	D10064550.9	SPACER	1
5	D10064540.9	GEAR Z-25/39	1
6	D10064530.9	SPACER	1
7	D10136960.9	SPACER (CARRARO PART NO 122142)	1
8	D10064510.9	GEAR Z-33	1
9	D10064500.9	COLLAR	1
10	D10064490.9	SHAFT GEAR Z-20	1
11	D10064480.9	BEARING	1
12	D10064200.9	SHIM 0.1MM (CARRARO PART NO 98817)	AR
12A	D10064210.9	SHIM 0.3MM (CARRARO PART NO 98818)	AR
12B	D10064220.9	SHIM 0.5MM (CARRARO PART NO 98819)	AR
13	D90000360.9	RING SNAP D90	1
14	D10372960.9	COUPLING DOG CLUTCH PTO (CARRARO PART NO 124428)	1
15	D10261050.9	PIN (CARRARO PART NO 024385)	1
16	D10372970.9	COUPLING DOG CLUTCH PTO (CARRARO PART NO 124429)	1

**TABLE-54**

**P.T.O. OUTER CONTROLS**



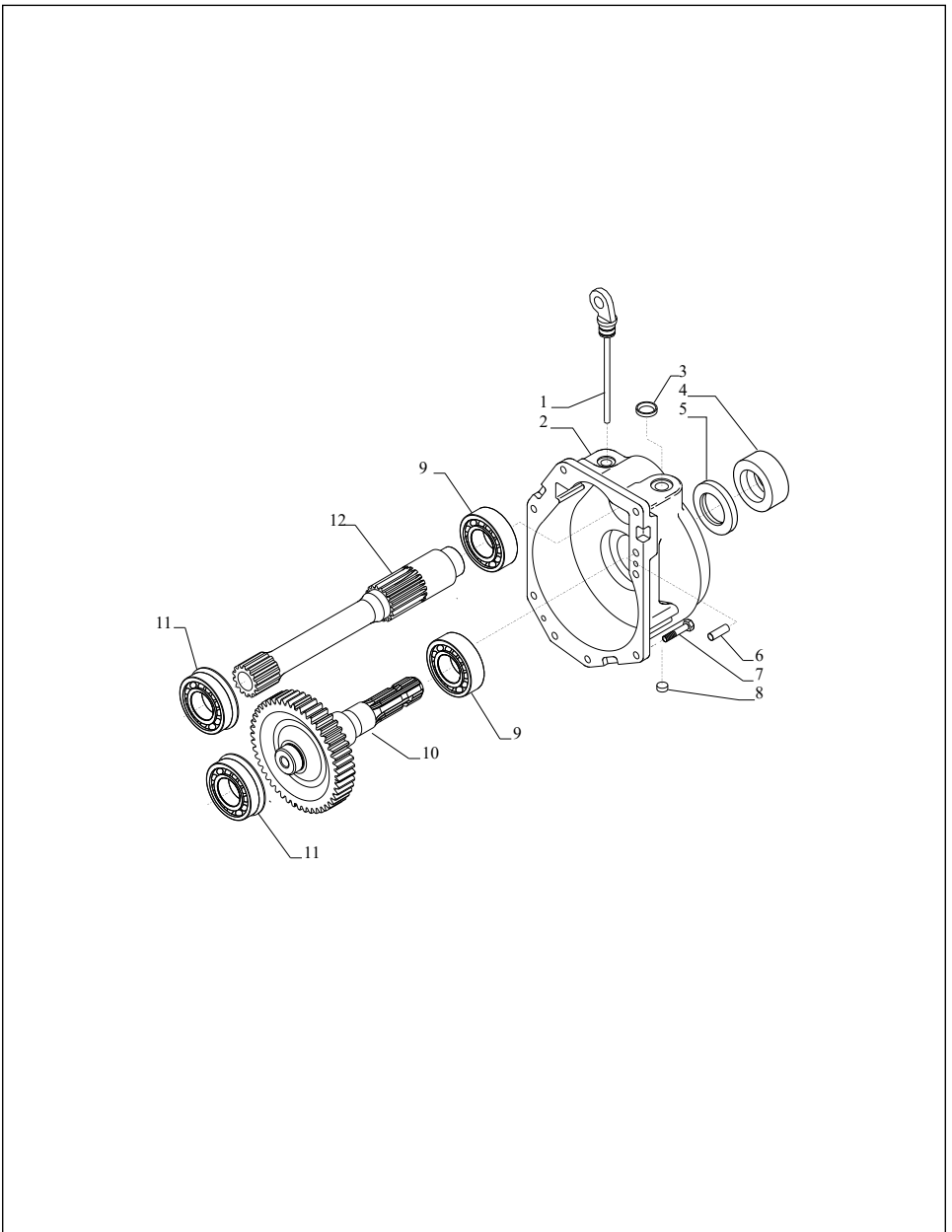


**TABLE-54****P.T.O. OUTER CONTROLS**

<b>Fig. No.</b>	<b>Part No.</b>	<b>Description</b>	<b>Qty</b>
1	D10372820.9	SHAFT (CARRARO PART NO 121709)	1
2	D10138690.9	PAD (CARRARO PART NO 116118)	1
3	D10064590.9	PLATE	1
4	D10064330.9	SEAL O RING (CARRARO PART NO 28111)	1
5	D10064450.9	BALL D1/4"	1
6	D10064400.9	SPRING	1
7	D82500430.9	SCREW M8X16	1
8	D10336450.9	LEVER FRONT PTO (CARRARO PART NO 431189)	1
9	D10064610.9	PIN 6X28 COTTER	1
11	D10042460.9	KNOB PTO	1
12	D83500450.9	NUT M10X1.50 HEX	1
13	D10018640.9	GROMMET	1
14	D10334090.9	ROD ASSEMBLY PTO ENGAGE	1
15	D10017560.9	PIN 3/8"X13/16" CLEVIS	1
16	D85000010.9	WASHER 3/8" FLAT	1
17	D10013450.9	PIN 3/32"X0.75" COTTER	1

**TABLE-55**

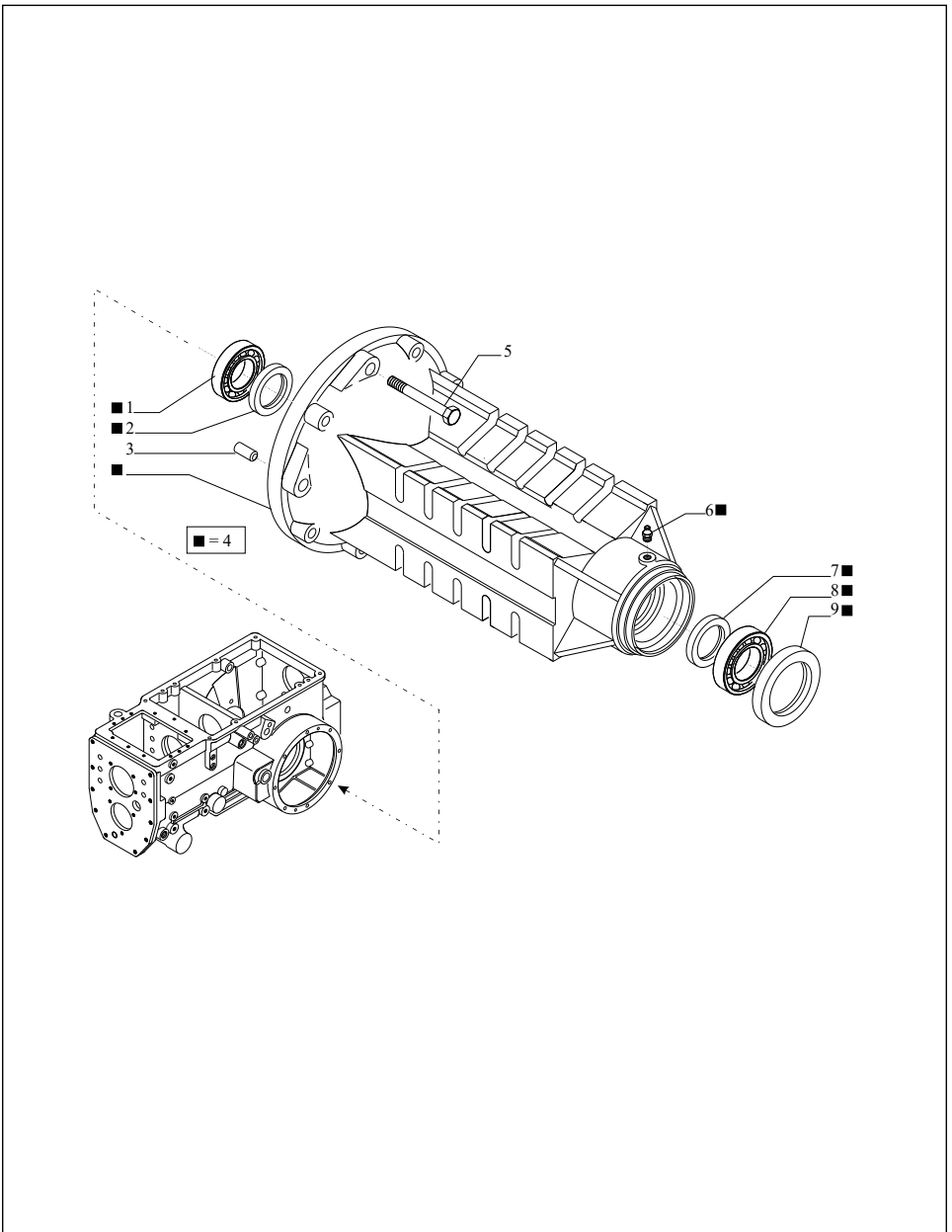
**TRANSMISSION P.T.O. (540 RPM)**



**TABLE-55****TRANSMISSION P.T.O. (540 RPM)**

<b>Fig. No.</b>	<b>Part No.</b>	<b>Description</b>	<b>Qty</b>
1	D10064680.9	STICK OIL DIP (CARRARO PART NO 133813)	1
2	D10138660.9	COVER REAR TRANSMISSION (CARRARO PART NO 145696)	1
3	D10065160.9	PLUG	1
4	D10061060.9	SEAL OIL (126403)	1
5	D10138710.9	SEAL OIL (CARRARO PART NO 025150)	1
6	D10064240.9	PIN 12X30	2
7	D10138670.9	BOLT HEX (CARRARO PART NO 127922)	7
8	D10064700.9	PLUG (CARRARO PART NO 114973)	1
9	D10063570.9	BEARING	2
10	D10375130.9	SHAFT PTO OUTPUT (CARRARO PART NO 430667)	1
11	D10064630.9	BEARING	2
12	D10282280.9	SHAFT PTO (CARRARO PART NO 143990)	1

**TABLE-56**  
**FINAL DRIVE HOUSING**

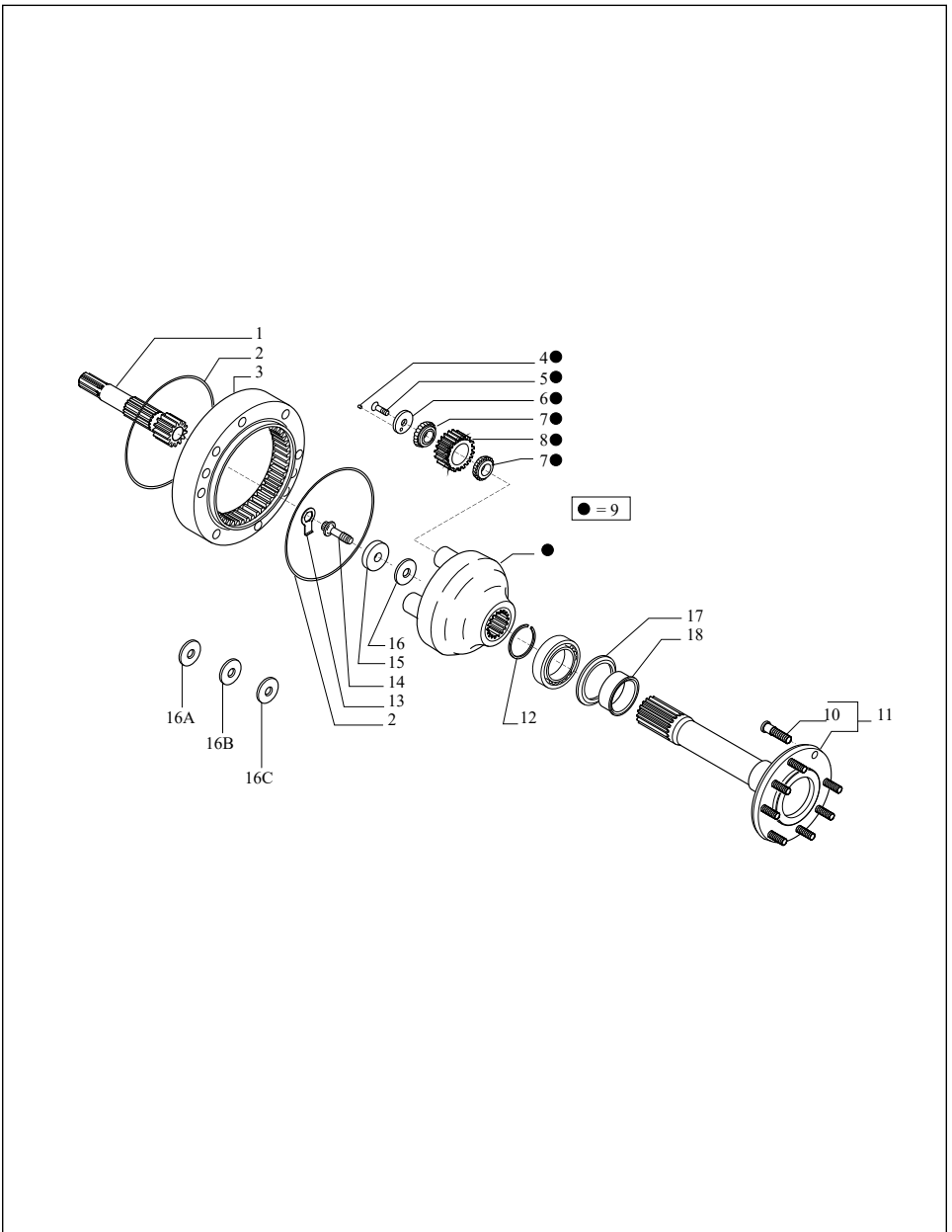


**TABLE-56****FINAL DRIVE HOUSING**

<b>Fig. No.</b>	<b>Part No.</b>	<b>Description</b>	<b>Qty</b>
1	D10064710.9	SEAL	2
2	D10064720.9	BEARING	2
3	D10064730.9	PIN D15X75	4
4	D10081600.9	KIT REAR AXLE SHAFT HOUSING (CARRARO PART NO 066740)	2
5	D81500950.9	BOLT M14X100	16
6	D92500070.9	GREASE NIPPLE M8X1-45DEGREE (CARRARO PART NO 24264)	2
7	D10064740.9	SEAL	2
8	D10064750.9	BEARING	2
9	D10064760.9	SEAL	2

**TABLE-57**

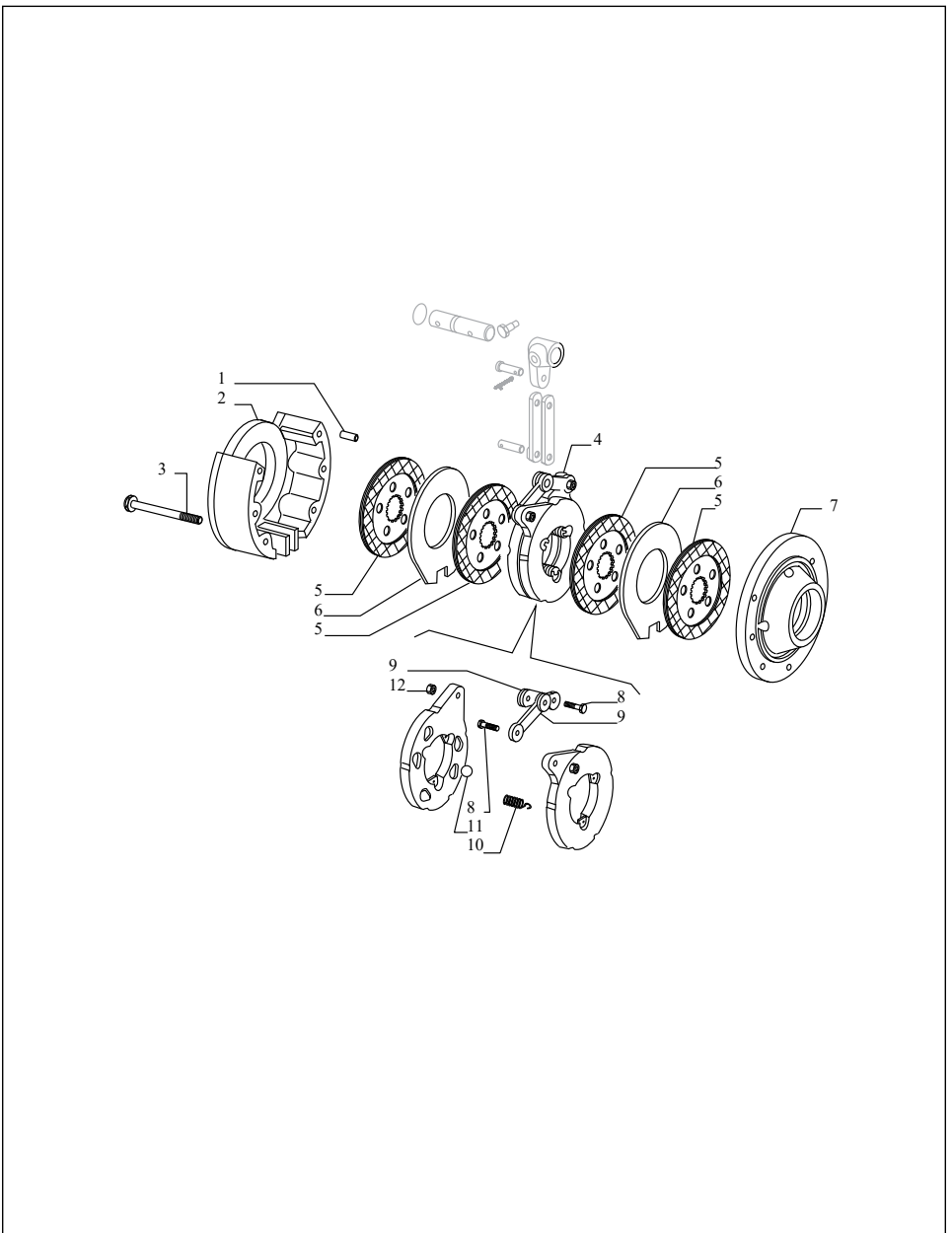
**FINAL DRIVE - WHEEL SHAFT**



**TABLE-57****FINAL DRIVE - WHEEL SHAFT**

<b>Fig. No.</b>	<b>Part No.</b>	<b>Description</b>	<b>Qty</b>
1	D10064780.9	SHAFT HALF WITH GEAR	2
2	D10064790.9	SEAL O RING	4
3	D10064800.9	RING GEAR EPIC Z82	2
4	D10242950.9	NEEDLE PLANETARY CARRIER (CARRARO PART NO 028370)	AR
5	D10065690.9	SCREW	6
6	D10081650.9	WASHER (CARRARO PART NO 135846)	6
7	D10081660.9	BEARING (CIL - 136302)	12
8	D10081670.9	GEAR EPICYCLIC (Z-33) (CIL - 135640)	6
9	D10081680.9	CARRIER ASSEMBLY PLANETARY GEAR (CIL - 066741)	2
10	D10081690.9	BOLT REAR WHEEL (CIL - 084911)	16
11	D10081700.9	SHAFT ASSEMBLY WHEEL~(CIL - 066455)	2
12	D10064820.9	RING LOCK	2
13	D10064830.9	STOP SCREW	2
14	D10064840.9	SPECIAL BOLT M16X2	2
15	D10064850.9	WASHER (CARRARO PART NO 135844)	2
16	D10064860.9	SHIM 0.1MM (CARRARO PART NO 123310)	AR
16A	D10064870.9	SHIM 0.3MM (CARRARO PART NO 123311)	AR
16B	D10064880.9	SHIM 0.5MM (CARRARO PART NO 123312)	AR
16C	D10064890.9	SHIM 0.05MM (CARRARO PART NO 123721)	AR
17	D10064900.9	SEAL	2
18	D10064910.9	BUSH	2

**TABLE-58**  
**BRAKES**

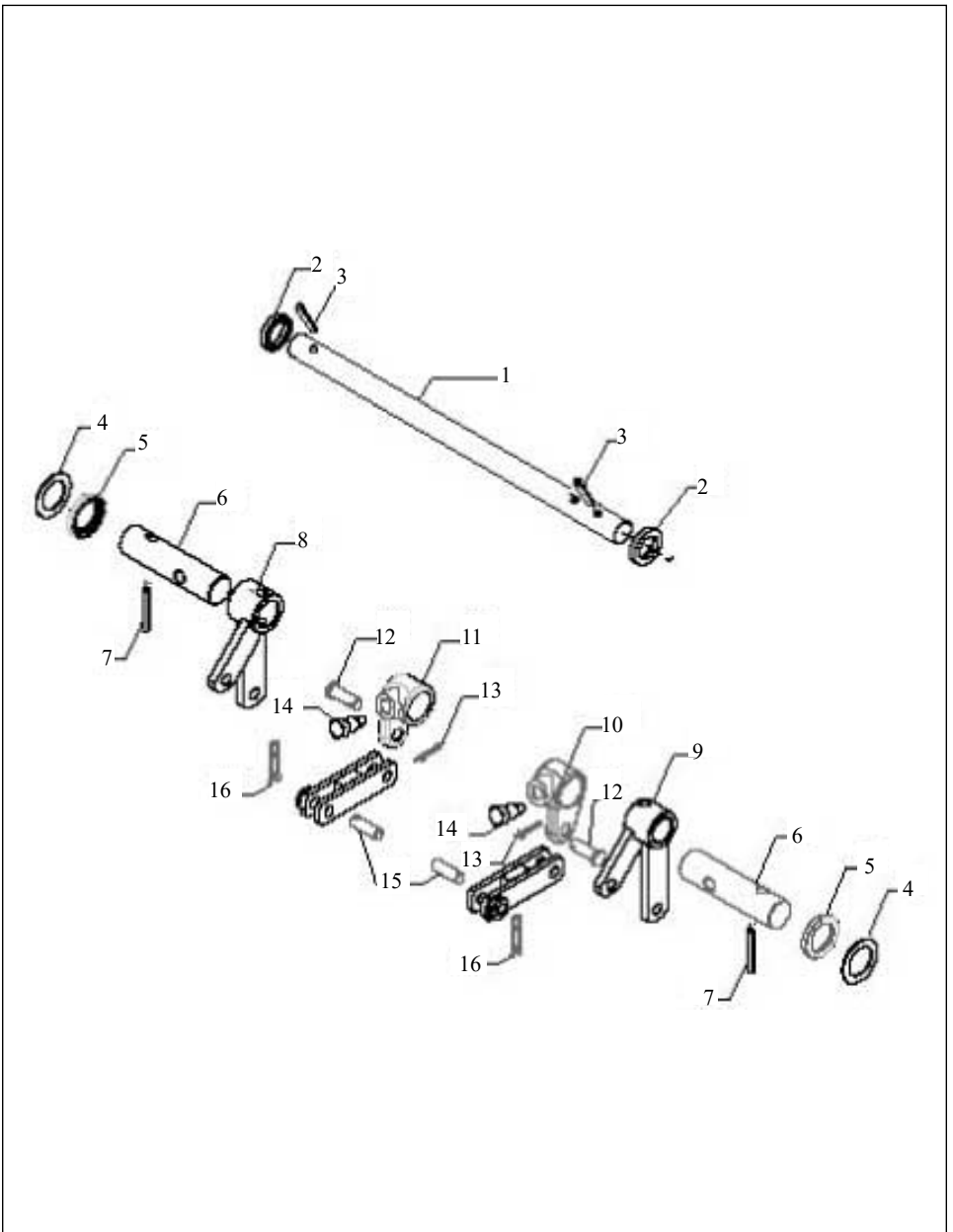




**TABLE-58**  
**BRAKES**

Fig. No.	Part No.	Description	Qty
1	D10064990.9	PIN D12X50	4
2	D10064980.9	FLANGE BRAKES	2
3	D81500910.9	BOLT M12X110	10
4	D10064940.9	ACTUATOR ASSEMBLY BRAKE DISC (CARRARO PART NO 117165)	2
5	D10064950.9	BRAKE DISC (CARRARO PART NO 117166)	8
6	D10205040.9	DISC (CARRARO PART NO 117167)	4
7	D10064970.9	SUPPORTING FLANGE	2
8	D10138790.9	BOLT HEX (CARRARO PART NO 040184)	4
9	D10138800.9	LINK ASSEMBLY STEERING DRAG (CARRARO PART NO 040192)	4
10	D10140100.9	SPRING (CARRARO PART NO 040190)	6
11	D10140090.9	BALL (CARRARO PART NO 040191)	10
12	D10098140.9	NUT HEX HEAD (CARRARO PART NO 040100)	4

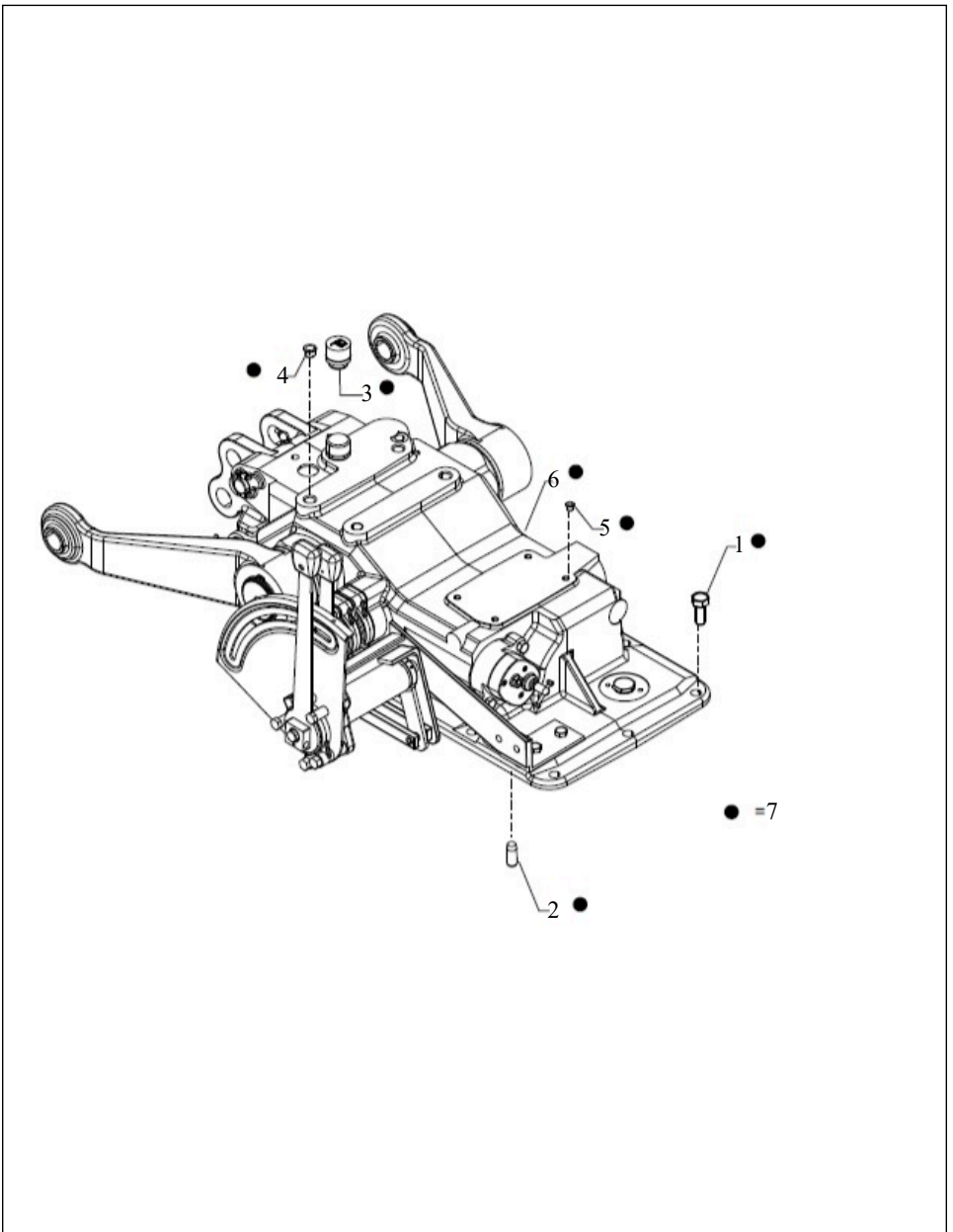
**TABLE-59**  
**BRAKE RELEASE SYSTEM**



**TABLE-59****BRAKE RELEASE SYSTEM**

<b>Fig. No.</b>	<b>Part No.</b>	<b>Description</b>	<b>Qty</b>
1	D10065020.9	SHAFT HAND BRAKE	1
2	D10110420.9	SEALING RING (CARRARO PART NO 025107)	2
3	D10065030.9	PIN DIA 8X36 (CARRARO PART NO 24427)	2
4	D10065150.9	WASHER THRUST (CARRARO PART NO 129176)	2
5	D10204860.9	SEAL (CARRARO PART NO 25131)	2
6	D10065060.9	BRAKE SHAFT	2
7	D10065090.9	PIN 10X45	2
8	D10065130.9	LEVER BRAKE RH	1
9	D10065050.9	LEVER BRAKE LH	1
10	D10065110.9	LEVER RH DX (CARRARO PART NO 118327)	1
11	D10065140.9	LEVER (LH)	1
12	D10065100.9	PIN D11 BRAKE (CARRARO PART NO 117226)	2
13	D93400240.9	SPLIT PIN D32X32	2
14	D10065120.9	SCREW M14X1.5X30 (CARRARO PART NO 117208)	2
15	D10064930.9	PIN D11 (CARRARO PART NO 118336)	2
16	D10137030.9	PIN SPRING LOCK (CARRARO PART NO 146912)	2
17	D10137040.9	LINKAGE BRAKE CONTROL (CARRARO PART NO. 146913)	2

**TABLE-60**  
**HYDRAULIC LIFT - BODY**

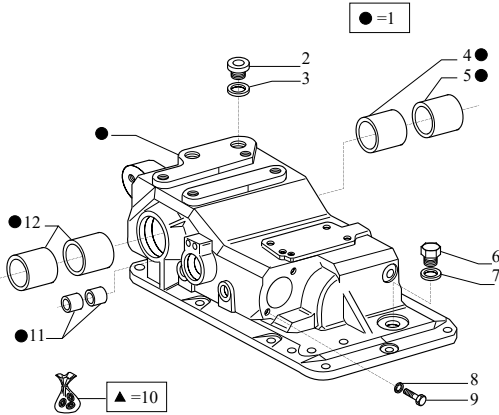


**TABLE-60**  
**HYDRAULIC LIFT - BODY**

Fig. No.	Part No.	Description	Qty
1	D81500920.9	BOLT M12X30	9
2	D10064240.9	PIN 12X30	2
3	D10081720.9	PLUG (CIL - 030368)	1
4	D10282250.9	PLUG (CARRARO PART NO 030573)	4
5	D10062780.9	PLUG D7	4
6	D10540530.9	HYDRAULIC LIFT ASSEMBLY (CARRARO PART NO 440655)	1
7	D10540540.9	HYDRAULIC LIFT ASSEMBLY (CARRARO PART NO 441229)	1

**TABLE-61**

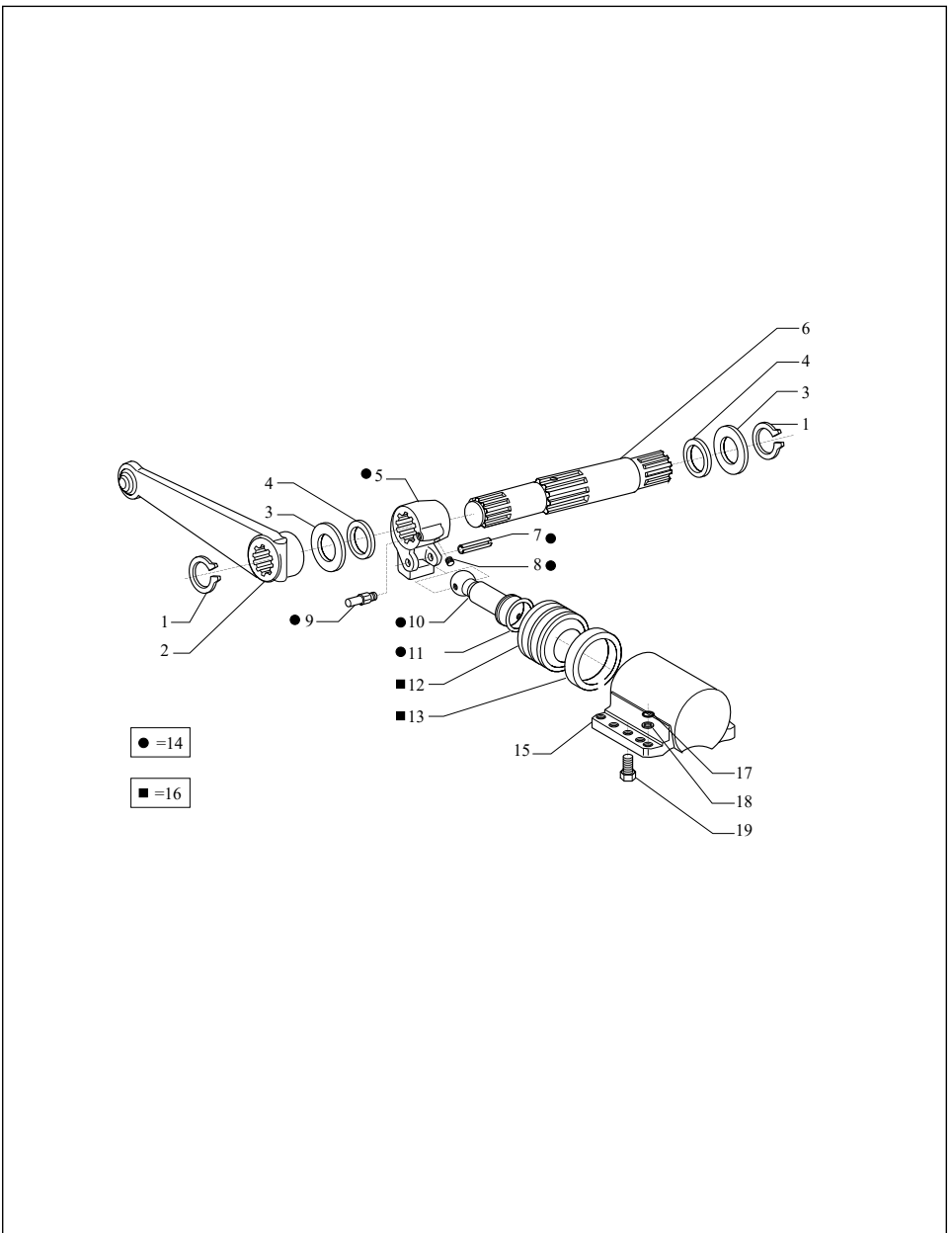
**COVER HYDRAULIC ASSEMBLY**



**TABLE-61****COVER HYDRAULIC ASSEMBLY**

<b>Fig. No.</b>	<b>Part No.</b>	<b>Description</b>	<b>Qty</b>
1	D10155780.9	HOUSING ASSEMBLY HYDRAULIC LIFT (CARRARO PART NO 046949)	1
2	D10062150.9	PLUG 1/2"	1
3	D10062220.9	WASHER	1
4	D10061580.9	BUSH	1
5	D10061530.9	BUSH	1
6	D10062350.9	PLUG M18X15	1
7	D10061420.9	WASHER COPPER SEALING	1
8	D10110360.9	WASHER M8 SPRING LOCK (CARRARO PART NO 022856)	2
9	D81501080.9	BOLT M8X1.25X35	2
10	D10098110.9	KIT SEAL (CARRARO PART NO 047023)	1
11	D10062160.9	BUSH	2
12	D10061510.9	BUSH	2

**TABLE-62**  
**CYLINDER**



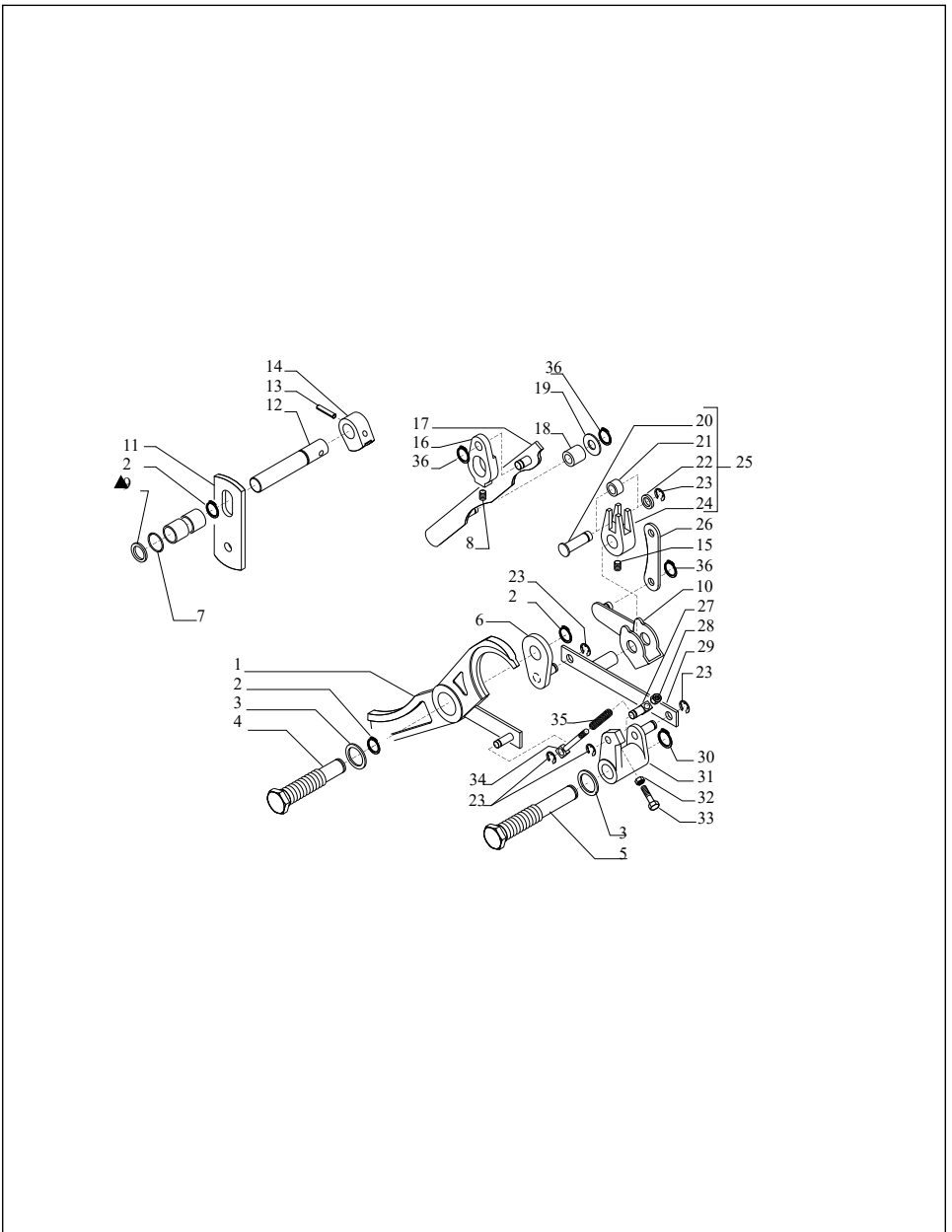


**TABLE-62**  
**CYLINDER**

<b>Fig. No.</b>	<b>Part No.</b>	<b>Description</b>	<b>Qty</b>
1	D90000350.9	RING SNAP D55	2
2	D10062510.9	ARM LIFTING	2
3	D10067440.9	SPACER	2
4	D10061850.9	SEAL OIL (CARRARO PART NO 046705)	2
5	D10062040.9	LEVER	1
6	D10062060.9	SHAFT LIFTING	1
7	D93400260.9	PIN 10X65 COTTER	1
8	D10062180.9	GRUB M10X20	1
9	D10062050.9	PIN	1
10	D10062030.9	ROD CONNECTING	1
11	D10061520.9	SEAL O RING (CARRARO PART NO 046533)	1
12	D10062020.9	PISTON (CARRARO PART NO 046841)	1
13	D10062170.9	PACKING PISTON (CARRARO PART NO 46877)	1
14	D10098120.9	KIT LEVER AND CONNECTING ROD (CARRARO PART NO 047691)	1
15	D10061990.9	CYLINDER	1
16	D10081730.9	PISTON AND RING ASSEMBLY (CARRARO PART NO 046497)	1
17	D10061540.9	SEAL O RING (CARRARO PART NO 046626)	1
18	D10105290.9	RING (CARRARO PART NO 046537)	1
19	D81500960.9	BOLT M14X35	2

**TABLE-63**

**INSIDE LIFTING CONTROL**

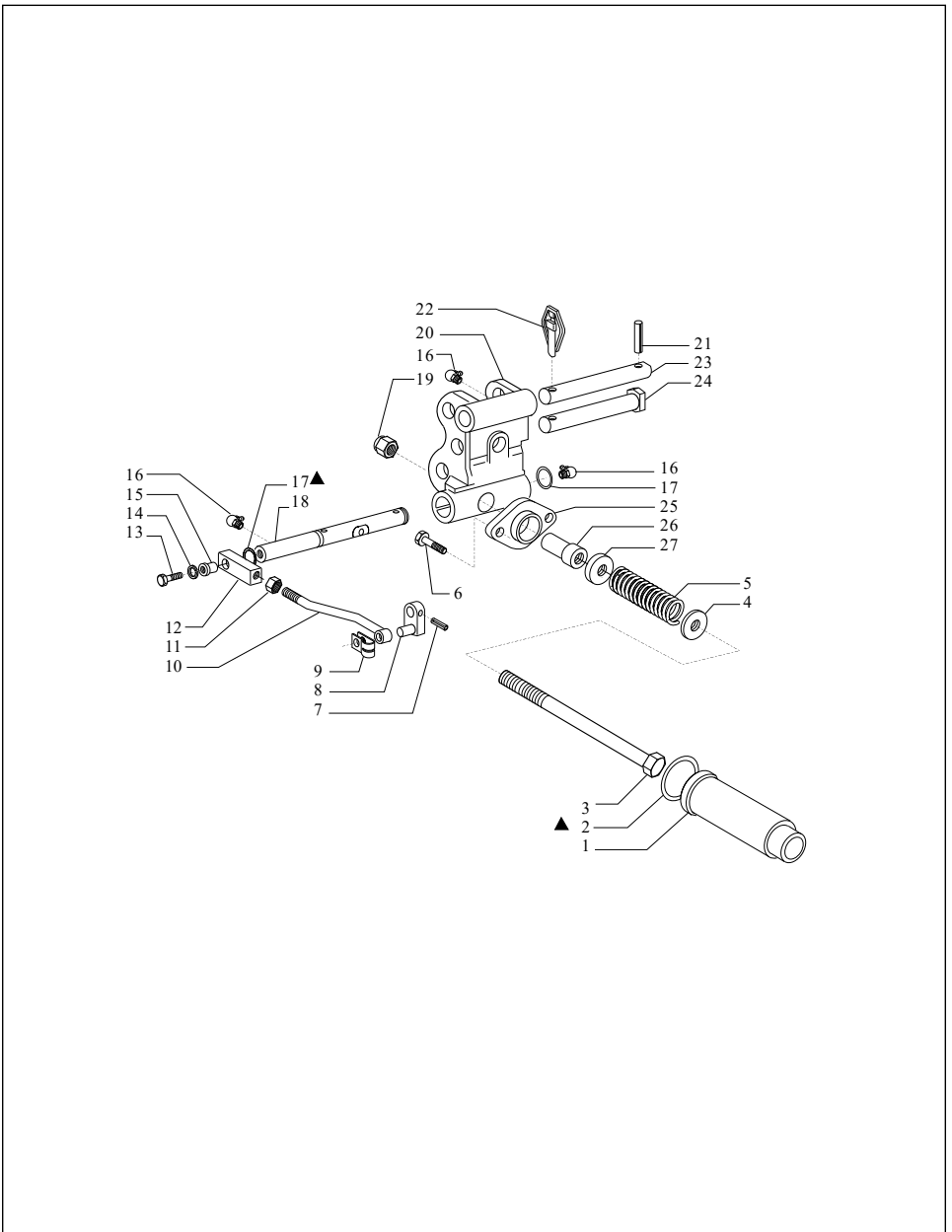


**TABLE-63****INSIDE LIFTING CONTROL**

<b>Fig. No.</b>	<b>Part No.</b>	<b>Description</b>	<b>Qty</b>
1	D10282230.9	EQUALIZER (CARRARO PART NO 046873)	1
2	D90000340.9	RING SNAP D16 (CARRARO PART NO 024771)	3
3	D10061420.9	WASHER COPPER SEALING	2
4	D10241110.9	PIN SUPPORT HYDRAULIC LIFTING CONTROL INSIDE (CARRARO PART NO 046995)	1
5	D10067550.9	PIN SUPPORT	1
6	D10067620.9	SHACKLE	1
7	D10241120.9	O RING HYDRAULIC LIFTING CONTROL INSIDE (CARRARO PART NO 028620)	1
8	D10067350.9	GRUB M8X9	1
9	D10282240.9	SEAL RING (CARRARO PART NO 046866)	1
10	D10067470.9	CAM	1
11	D10067340.9	PLATE	1
12	D10067460.9	SHAFT	1
13	D93400210.9	PIN COTTER	1
14	D10241130.9	CAM INSIDE HYDRAULIC LIFTING CONTROL INSIDE (CARRARO PART NO 048585)	1
15	D10067420.9	SCREW M8X12 GRUB	1
16	D10067360.9	CAM	1
17	D10138610.9	PLATE HYDRAULIC LIFTING CONTROL INSIDE (CARRARO PART NO 046669)	1
18	D10241140.9	ROLLER HYDRAULIC LIFTING CONTROL INSIDE (CARRARO PART NO 048586)	1
19	D10067310.9	WASHER (CARRARO PART NO 023071)	1
20	D10067380.9	PIN (CARRARO PART NO 046676)	1
21	D10067390.9	WASHER (CARRARO PART NO 046677)	1
22	D10067320.9	WASHER (CARRARO PART NO 046548)	1
23	D10099080.9	RING SNAP HYDRAULIC LIFTING CONTROL INSIDE (CARRARO PART NO 040989)	5
24	D10067400.9	ROD CONNECTING (CARRARO PART NO 046678)	1
25	D10099130.9	ROD CONNECTING ASSEMBLY (PRE ASSEMBLED - CARRARO PART NO 046496)	1
26	D10067480.9	ROD LINK	1
27	D10067500.9	SHAFT	1
28	D10241150.9	NUT M6 HYDRAULIC LIFTING CONTROL INSIDE (CARRARO PART NO 022405)	1
29	D10067510.9	PLATE	1
30	D10241020.9	RING SNAP (CARRARO PART NO 024770)	1
31	D10067520.9	LEVER	1
32	D10241160.9	NUT M8 HYDRAULIC LIFTING CONTROL INSIDE (CARRARO PART NO 022167)	1
33	D10263350.9	BOLT (CARRARO PART NO 046985)	1
34	D10067570.9	PIN	1
35	D10067610.9	SPRING (CARRARO PART NO 046857)	1
36	D90000330.9	RING SNAP (CARRARO PART NO 024711)	3

**TABLE-64**

**TOP LINK SENSING**

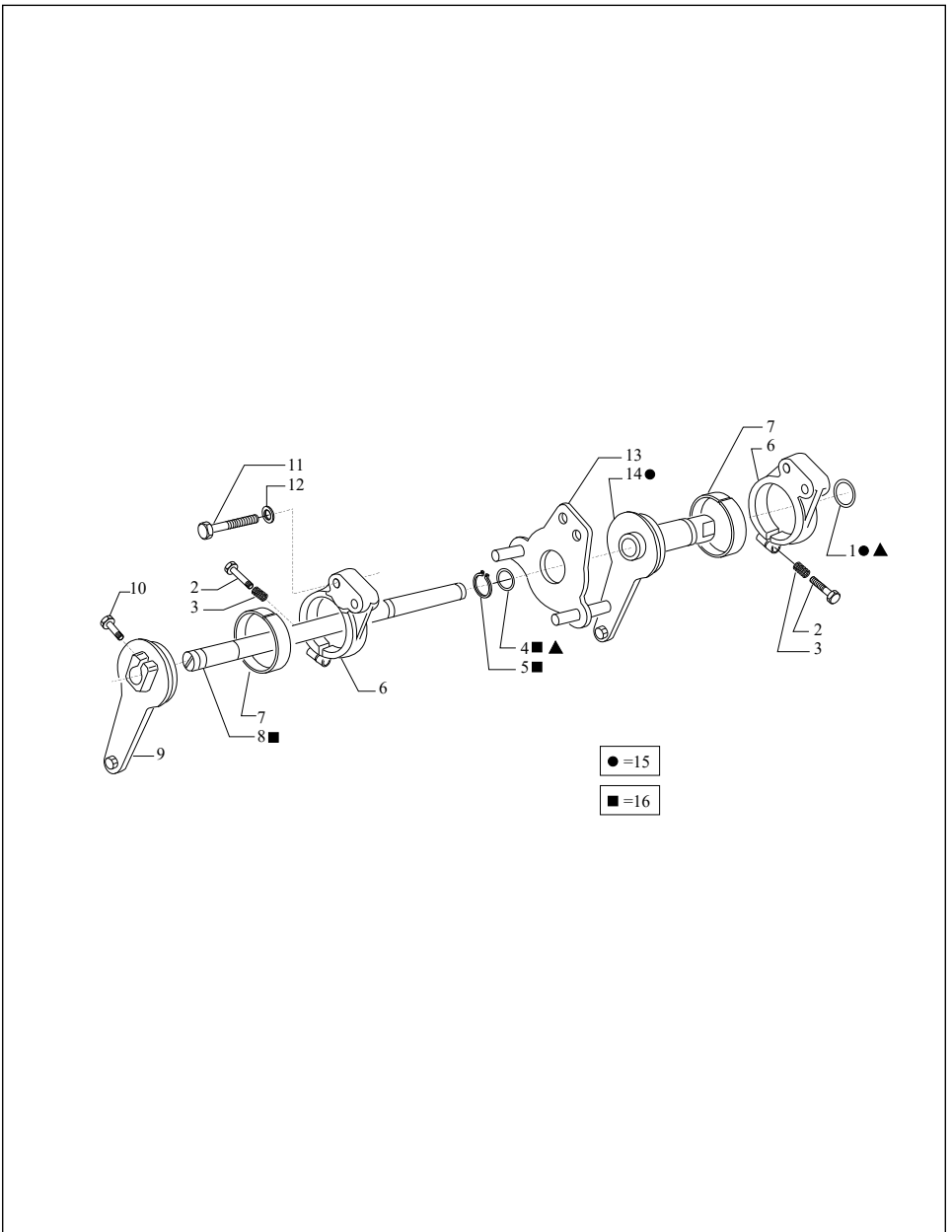


**TABLE-64****TOP LINK SENSING**

<b>Fig. No.</b>	<b>Part No.</b>	<b>Description</b>	<b>Qty</b>
1	D10241170.9	COVER SPRING THREE POINT LINKAGE (CARRARO PART NO 048574)	1
2	D10061700.9	SEAL O RING	1
3	D10241180.9	ROD M14 THREE POINT LINKAGE (CARRARO PART NO 046478)	1
4	D10241190.9	WASHER THREE POINT LINKAGE (CARRARO PART NO 046500)	1
5	D10241200.9	SPRING THREE POINT LINKAGE (CARRARO PART NO 048579)	1
6	D10243170.9	BOLT M12X30 (CARRARO PART NO 020920)	2
7	D10064610.9	PIN 6X28 COTTER	1
8	D10062430.9	LEVER	1
9	D10061790.9	WASHER LOCK	1
10	D10062070.9	ROD	1
11	D10241220.9	NUT M10 THREE POINT LINKAGE (CARRARO PART NO 022118)	1
12	D10061800.9	PLATE	1
13	D81501350.9	BOLT M8X25 HEX HEAD	1
14	D10110360.9	WASHER M8 SPRING LOCK (CARRARO PART NO 022856)	1
15	D10061840.9	BUSH	1
16	D92500060.9	GREASE NIPPLE M10X1-45DEGREE	3
17	D10061460.9	SEAL O RING (CARRARO PART NO 028514)	2
18	D10062090.9	SHAFT	1
19	D83500470.9	NUT M14	1
20	D10061500.9	BRACKET 3RD POINT	1
21	D93400210.9	PIN COTTER	2
22	D10098130.9	PIN DIA 10 QUICK LOCK THREE POINT LINKAGE (CARRARO PART NO 12782)	1
23	D10062410.9	PIN 3RD POINT	1
24	D10098090.9	PIN 3RD POINT THREE POINT LINKAGE (CARRARO PART NO 046987)	1
25	D10241230.9	FLANGE THREE POINT LINKAGE (CARRARO PART NO 046473)	1
26	D10241240.9	BUSH THREE POINT LINKAGE (CARRARO PART NO 046477)	1
27	D10241250.9	WASHER THREE POINT LINKAGE (CARRARO PART NO 046479)	1

**TABLE-65**

**OUTER LIFTING CONTROL**

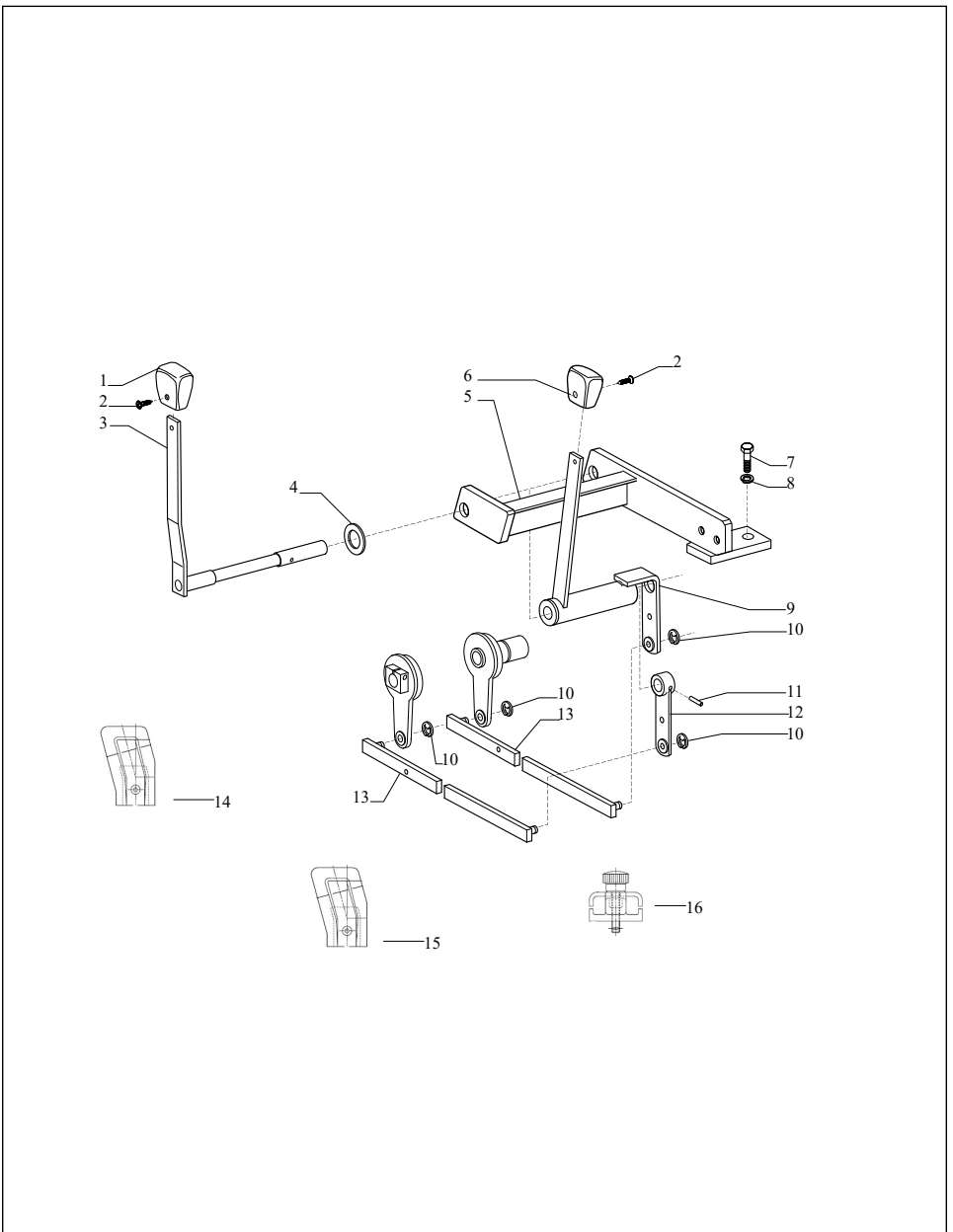


**TABLE-65****OUTER LIFTING CONTROL**

<b>Fig. No.</b>	<b>Part No.</b>	<b>Description</b>	<b>Qty</b>
1	D10061450.9	SEAL O RING (CARRARO PART NO 028115)	1
2	D81501010.9	BOLT M6X40	2
3	D10061600.9	SPRING	2
4	D10061540.9	SEAL O RING (CARRARO PART NO 046626)	1
5	D90000340.9	RING SNAP D16 (CARRARO PART NO 024771)	1
6	D10061630.9	SUPPORT	2
7	D10061590.9	RING CLUTCH	2
8	D10062110.9	SHAFT POSITION DRIVE (CARRARO PART NO 046863)	1
9	D10062120.9	LEVER	1
10	D81501060.9	BOLT M8X1.25X30	1
11	D81501100.9	BOLT M8X1.25X55	2
12	D10110360.9	WASHER M8 SPRING LOCK (CARRARO PART NO 022856)	2
13	D10062200.9	FLANGE	1
14	D10062390.9	SHAFT STRESS DRIVE (CARRARO PART NO 046928)	1
15	D10116880.9	SHAFT DRIVE STRESS (CIL PART NO 046488)	1
16	D10138810.9	SHAFT DRIVE PRE ASSEMBLED (CARRARO PART NO 046487)	1

**TABLE-66**

**LEVER LIFTING CONTROL**

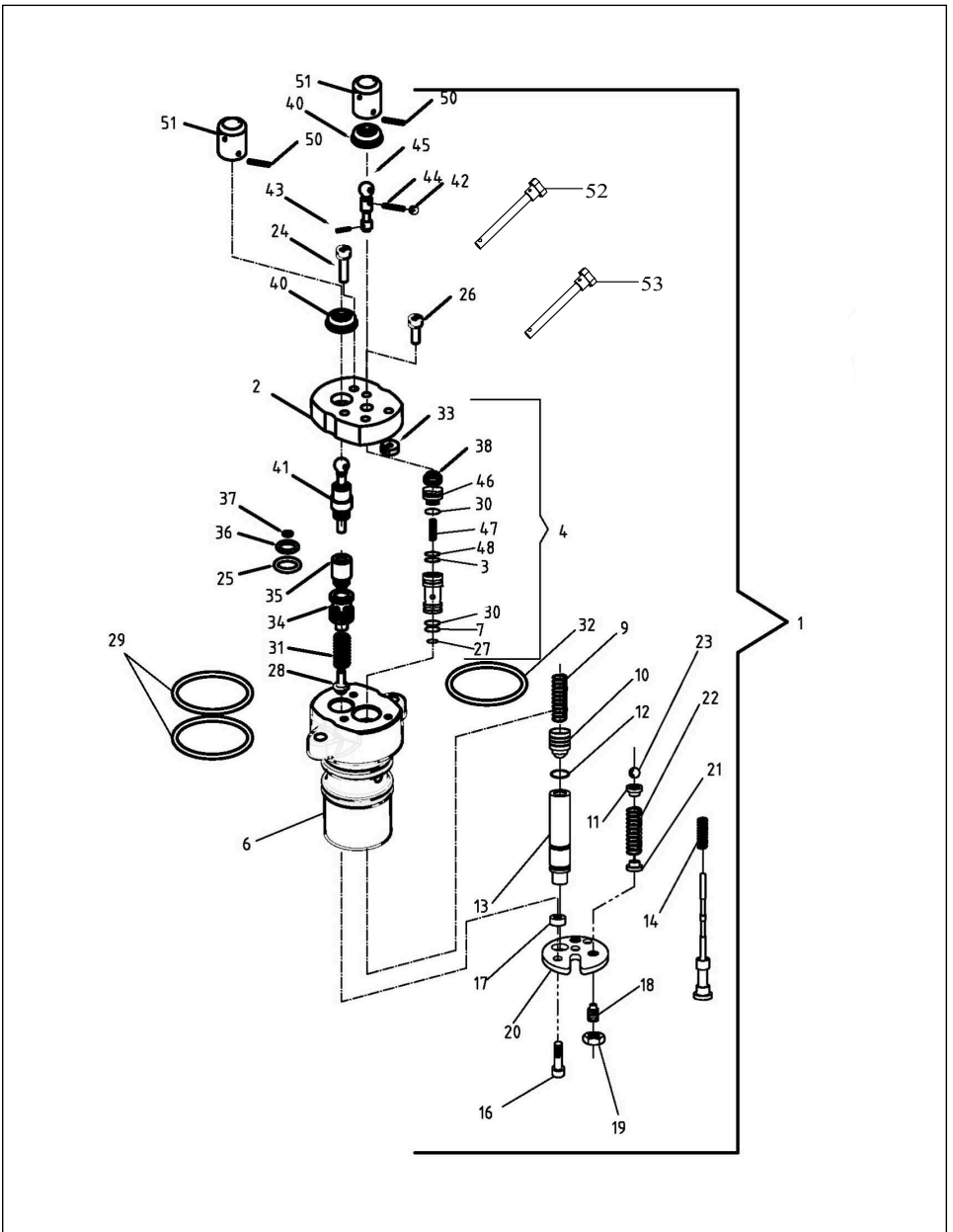




**TABLE-66****LEVER LIFTING CONTROL**

<b>Fig. No.</b>	<b>Part No.</b>	<b>Description</b>	<b>Qty</b>
1	D10062260.9	KNOB (YELLOW)	1
2	D82500380.9	SCREW M35X13	2
3	D10540550.9	LEVER POSITION (CARRARO PART NO 210389)	1
4	D10062330.9	WASHER	1
5	D10241270.9	SUPPORT HYDRAULIC LIFTING CONTROL OUTSIDE (CARRARO PART NO 046471)	1
6	D10062340.9	KNOB (RED)	1
7	D10241280.9	BOLT M10X25 HYDRAULIC LIFTING CONTROL OUTSIDE (CARRARO PART NO 046472)	2
8	D10061350.9	WASHER SPLIT	2
9	D10540560.9	LEVER DRAFT (CARRARO PART NO 210388)	1
10	D10241300.9	RING SNAP DIA 6 HYDRAULIC LIFTING CONTROL OUTSIDE (CARRARO PART NO 046475)	4
11	D10241310.9	PIN D6X25 ELASTIC HYDRAULIC LIFTING CONTROL OUTSIDE (CARRARO PART NO 046476)	1
12	D10062140.9	LEVER	1
13	D10241320.9	ROD TIE ASSEMBLY HYDRAULIC LIFTING CONTROL OUTSIDE (CARRARO PART NO 046468)	2
14	D10043460.9	KNOB HYDRAULIC CONTROL LEVER (RED)	1
15	D10043470.9	KNOB HYDRAULIC CONTROL LEVER (YELLOW)	1
16	D10044000.9	STOP ASSEMBLY LIFT CONTROL LEVER	1

**TABLE-67**  
**MAIN DISTRIBUTOR VALVE**

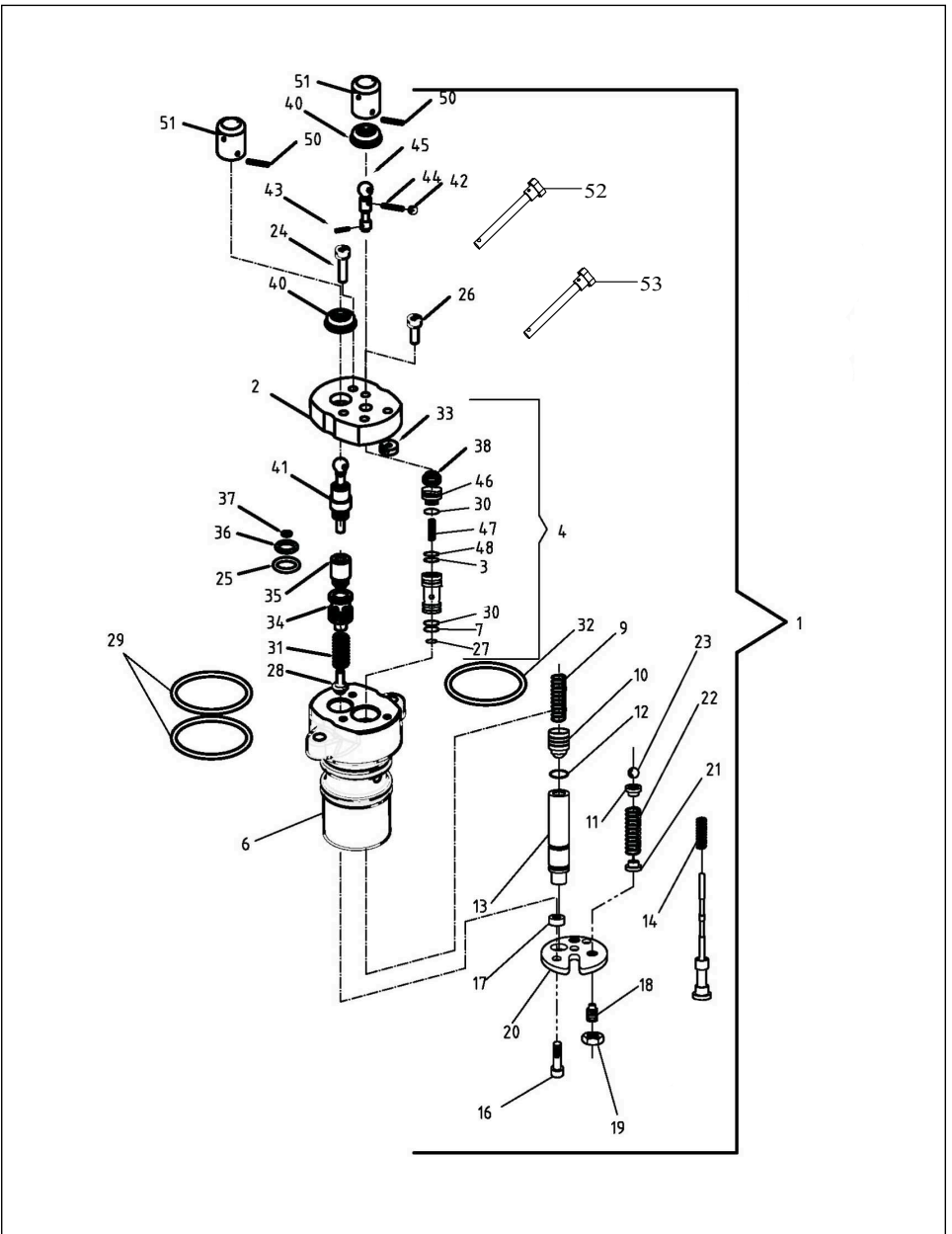


**TABLE-67****MAIN DISTRIBUTOR VALVE**

<b>Fig. No.</b>	<b>Part No.</b>	<b>Description</b>	<b>Qty</b>
1	D10540570.9	VALVE CONTROL (CARRARO PART NO 210080)	1
2	D10242990.9	COVER (CARRARO PART NO 046883)	1
3	D10540580.9	O RING (CARRARO PART NO 210072)	1
4	D10540590.9	VALVE ASSEMBLY (CARRARO PART NO 210083)	1
7	D93600420.9	SEAL O RING (CARRARO PART NO 46564)	1
8	D93600430.9	SEAL O RING (CARRARO PART NO 46728)	1
9	D10137920.9	SPRING DIAMETER 11.0 - 6X30MM (CARRARO PART NO 046577)	1
10	D10173740.9	DIFFERENTIAL VALVE MAIN DISTRIBUTOR (CARRARO PART NO 046890)	1
11	D10540600.9	SPACER (CARRARO PART NO 30452)	2
12	D10540610.9	O RING (CARRARO PART NO 210071)	2
13	D10540620.9	SEAT VALVE (CARRARO PART NO 46891)	1
14	D10137930.9	SPRING MT001846 (CARRARO PART NO 046733)	1
16	D10540630.9	SCREW (CARRARO PART NO 210070)	3
17	D10262950.9	SPACER (CARRARO PART NO 046418)	3
18	D10262850.9	SCREW (CARRARO PART NO 046402)	2
19	D10540640.9	NUT (CARRARO PART NO 210069)	2
20	D10540650.9	PLATE (CARRARO PART NO 46572)	1
21	D10116860.9	GUIDE SPRING (CIL PART NO 046568)	2
22	D10263000.9	SPRING (CARRARO PART NO 046569)	2
23	D10271360.9	BALL (CARRARO PART NO 262908)	2
24	D10540660.9	SCREW (CARRARO PART NO 210068)	3
25	D10540670.9	O RING (CARRARO PART NO 210067)	1
26	D10540680.9	SCREW (CARRARO PART NO 210066)	2
27	D10540690.9	RING (CARRARO PART NO 210065)	1
28	D10262890.9	VALVE (CARRARO PART NO 046406)	1
29	D10540700.9	O RING (CARRARO PART NO 46566)	2
30	D10540710.9	O RING (CARRARO PART NO 210064)	2
31	D10540720.9	SPRING (CARRARO PART NO 46407)	1
32	D10540730.9	O RING (CARRARO PART NO 210063)	1
33	D10147260.9	VALVE (CARRARO PART NO 046888)	2
34	D10540740.9	SEAT VALVE (CARRARO PART NO 210082)	1
35	D10540750.9	VALVE (CARRARO PART NO 210081)	1
36	D10540760.9	O RING (CARRARO PART NO 46931)	1
37	D10540770.9	O RING (CARRARO PART NO 210062)	1
38	D10116160.9	RING NUT (CARRARO PART NO 046882)	1
39	D10540780.9	SEAT VALVE (CARRARO PART NO 46411)	1
40	D10105370.9	SPRING (PRE ASSEMBLED)	2
41	D10540790.9	LEVER (CARRARO PART NO 210061)	1
42	D10540800.9	BUSH (CARRARO PART NO 210060)	1
43	D10116170.9	PIN (CARRARO PART NO 046885)	1

TABLE-67

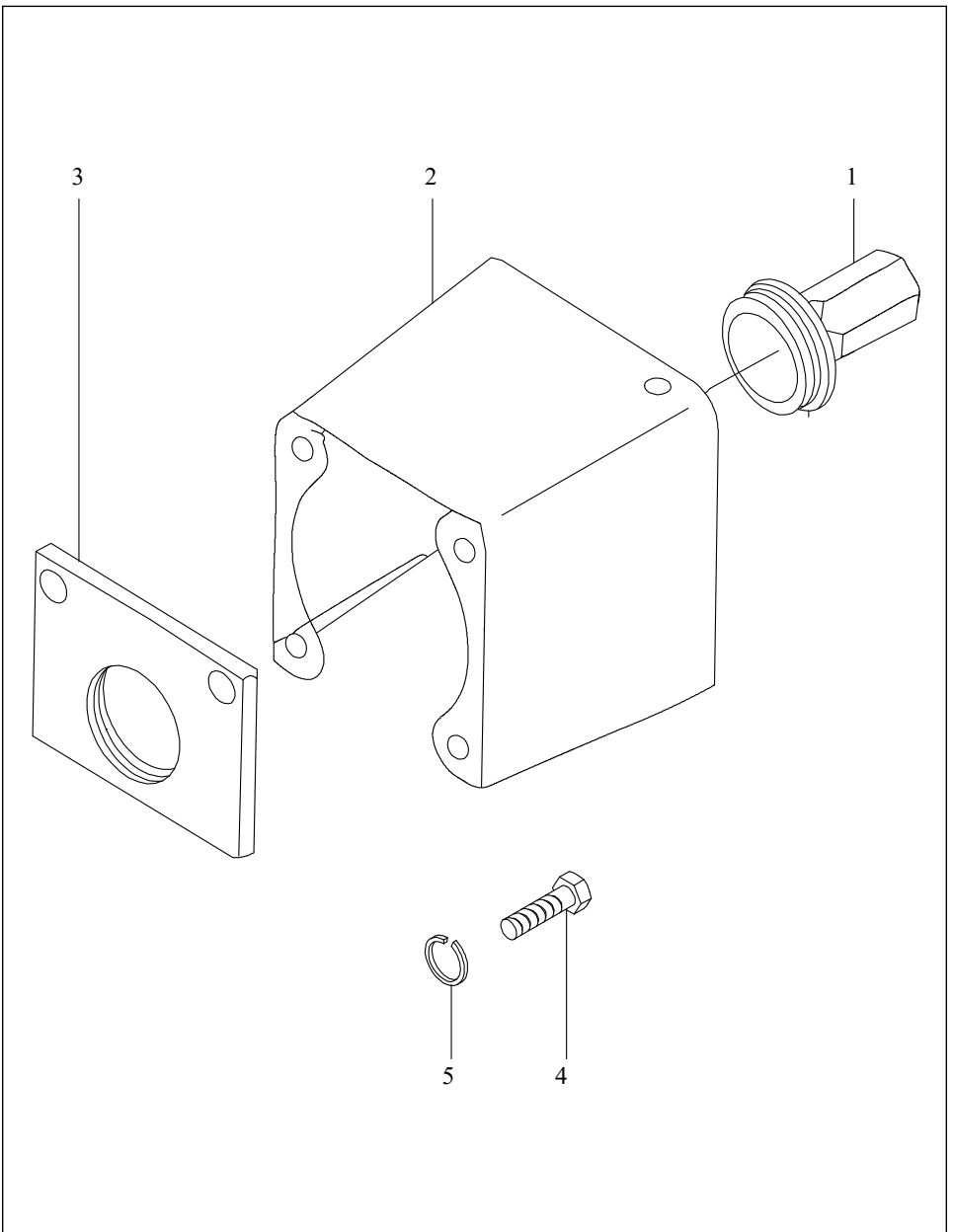
MAIN DISTRIBUTOR VALVE



**TABLE-67****MAIN DISTRIBUTOR VALVE**

<b>Fig. No.</b>	<b>Part No.</b>	<b>Description</b>	<b>Qty</b>
44	D10540810.9	PIN ELASTIC (CARRARO PART NO 210059)	1
45	D10116180.9	ROD PUSH (CARRARO PART NO 046886)	1
46	D10540820.9	PLUG (CARRARO PART NO 210058)	1
47	D10573880.9	SPRING (CARRARO PART NO 210057)	1
48	D93600430.9	SEAL O RING (CARRARO PART NO 46728)	1
51	D10173670.9	JOINT MAIN DISTRIBUTOR VALVE (CARRARO PART NO 046884)	1
52	D10043410.9	LEVER AND KNOB ASSEMBLY FLOW CONTROL VALVE	1
53	D10043420.9	LEVER AND KNOB ASSEMBLY FLOW CONTROL VALVE	1

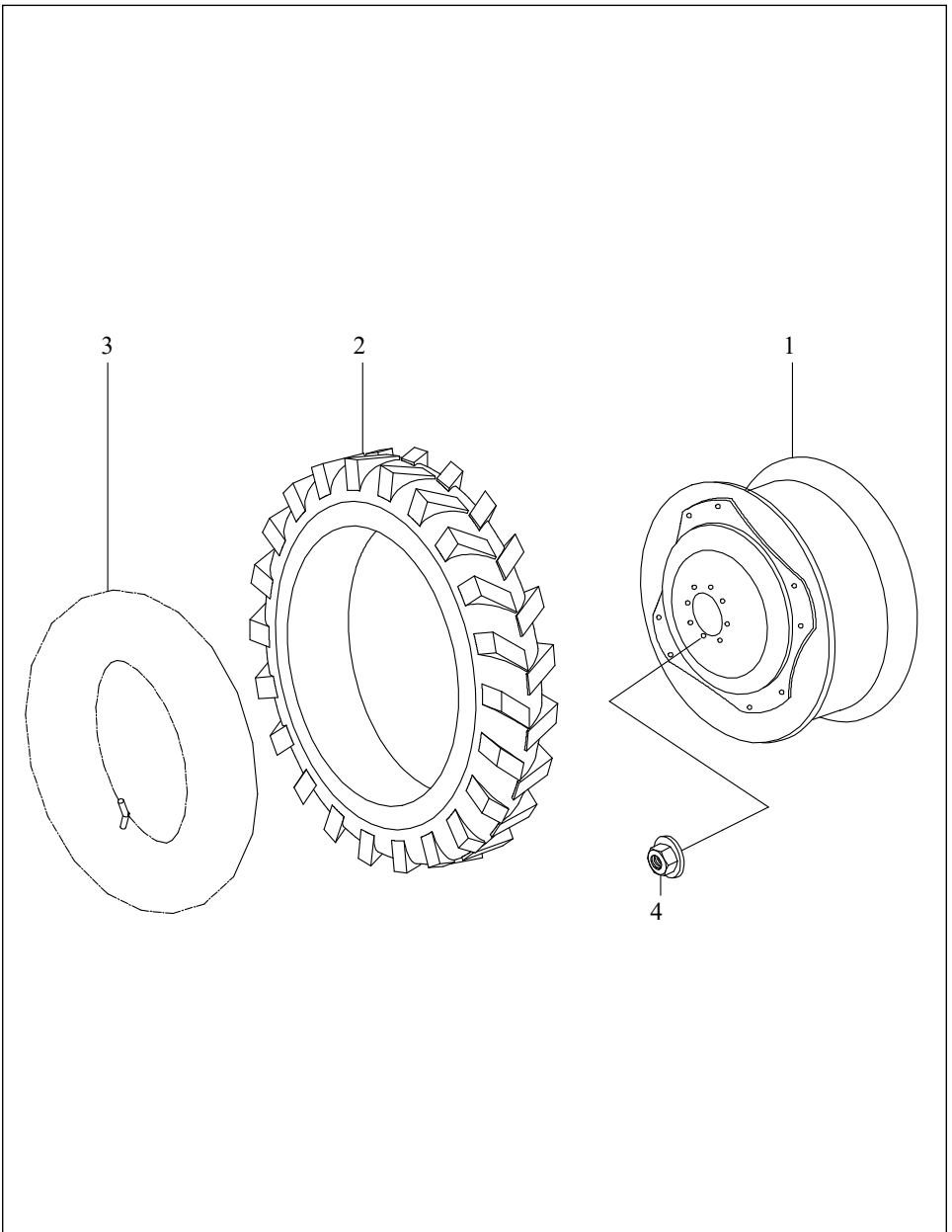
**TABLE-68**  
**PTO GUARD**



**TABLE-68**  
**PTO GUARD**

<b>Fig. No.</b>	<b>Part No.</b>	<b>Description</b>	<b>Qty</b>
1	D10042010.9	CAP PTO	1
2	D10039730.9	GUARD PTO	1
3	D10042000.9	PLATE PTO CAP MOUNTING	1
4	D81500040.9	BOLT M12X1.75X35-8.8 HEX HEAD	4
5	D86000060.9	WASHER 1/2" SPRING LOCK	2

**TABLE-69**  
**REAR WHEELS**

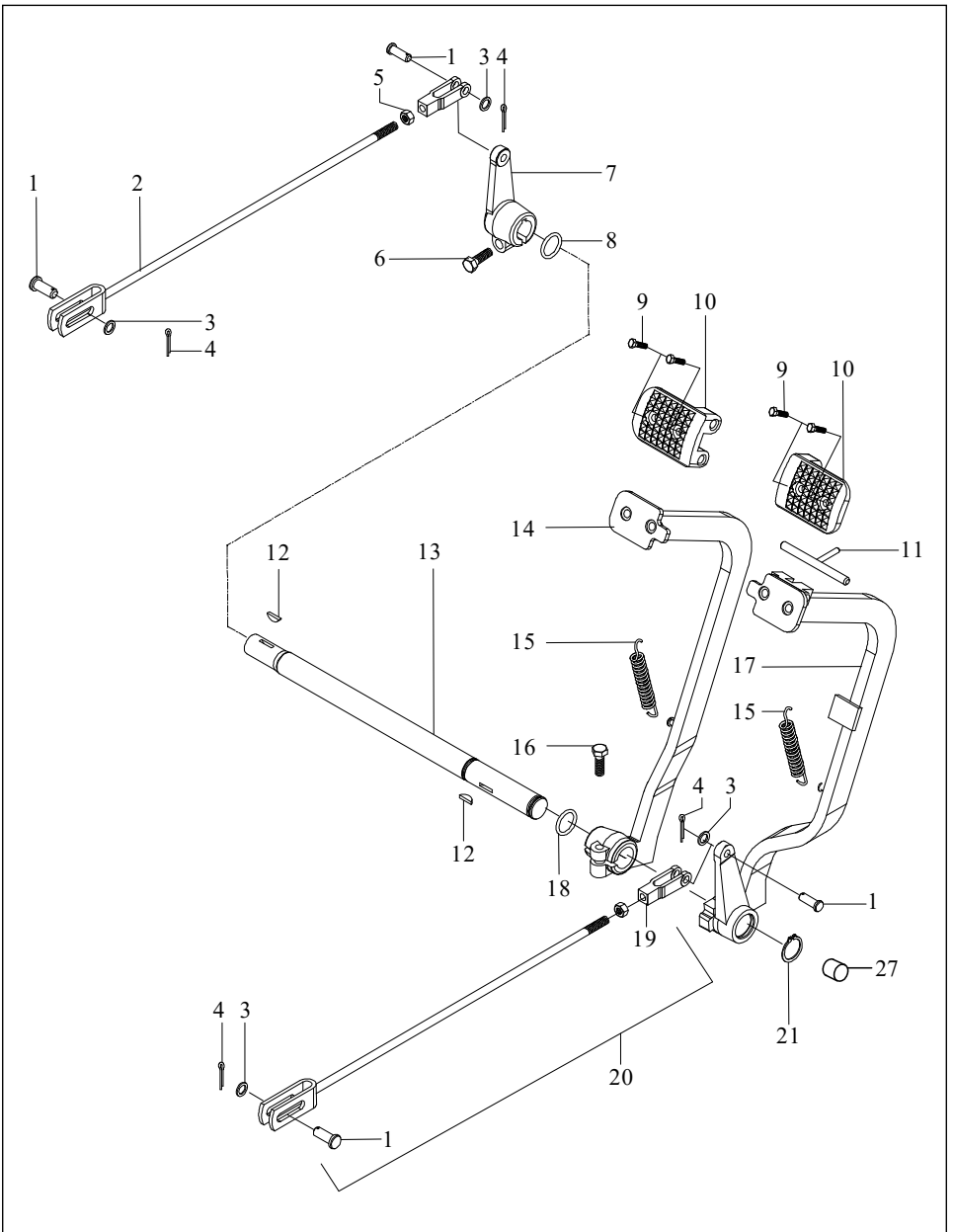




**TABLE-69**  
**REAR WHEELS**

<b>Fig. No.</b>	<b>Part No.</b>	<b>Description</b>	<b>Qty</b>
1	D10045420.9	WHEEL ASSEMBLY REAR W15X30 WITHOUT PRIMER	1
1A	D10416480.9	KIT WHEEL ASSEMBLY REAR W15LX28 WITHOUT PRIMER (SILVER)	1
2	D10499250.9	TYRE ASSEMBLY REAR WHEEL 16.9X30	1
3	D10499260.9	TUBE ASSEMBLY REAR TYRE 16.9X30	1
4	D10124340.9	NUT M18X1.50-8 HEX HEAD COLLARED (REAR WHEEL BOLT)	16

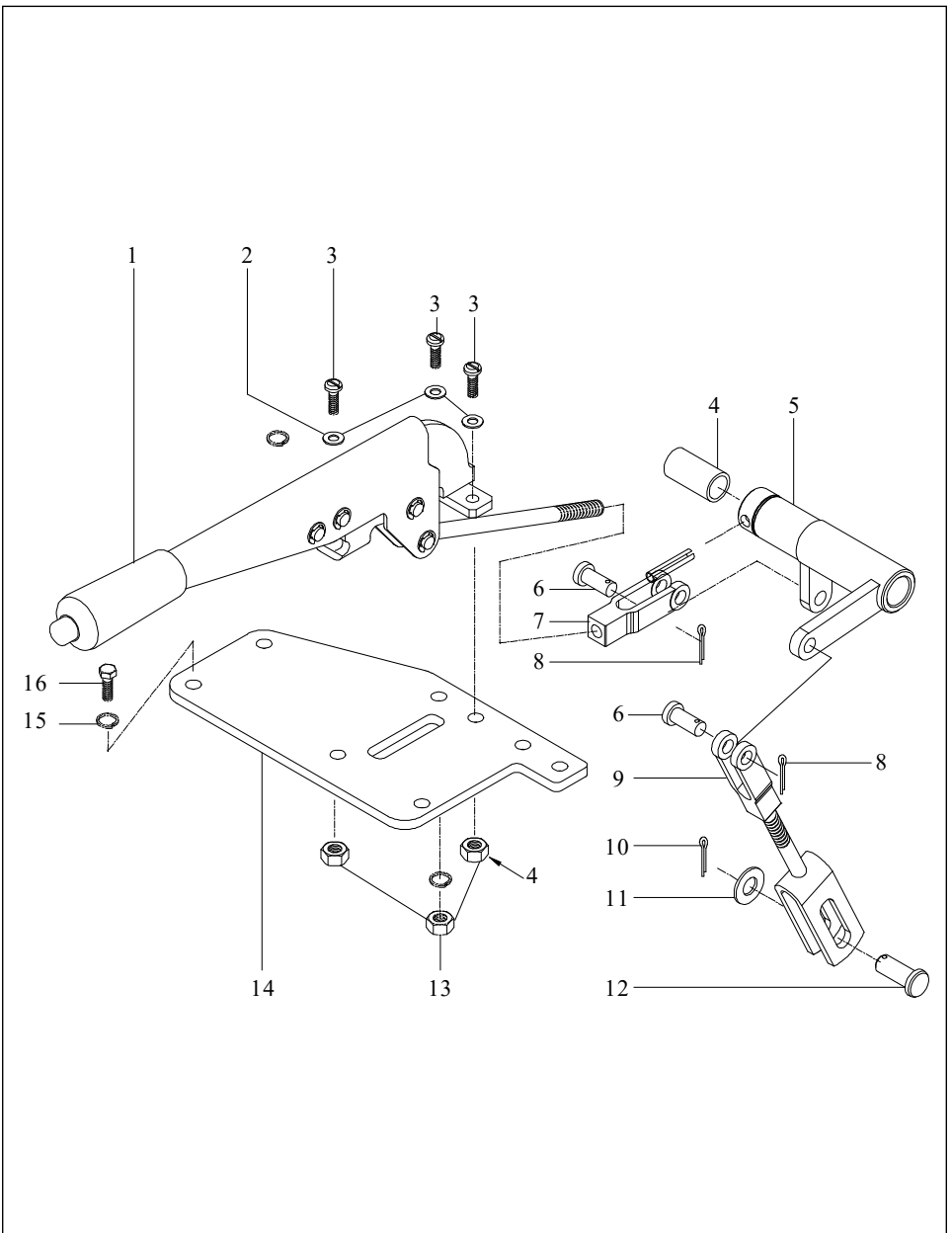
**TABLE-70**  
**BRAKE PEDAL**



**TABLE-70**  
**BRAKE PEDAL**

Fig. No.	Part No.	Description	Qty
1	D93400080.9	PIN 12X30.8 CLEVIS	4
2	D10042790.9	ROD ASSEMBLY BRAKE LINK	2
3	D85500160.9	WASHER M12 FLAT	4
4	D88400080.9	PIN 5/32"X1.75" COTTER	4
5	D10016890.9	NUT 3/8"-24 HEX	2
6	D81000470.9	BOLT 7/16"-14X1.50" HEX HEAD	1
7	D10042490.9	LEVER BRAKE OPERATING LH	1
8	D10012260.9	WASHER BRAKE PEDAL CROSS SHAFT THRUST	3
9	D81500030.9	BOLT M8X1.25X35-6.6 HEX HEAD	4
10	D10042840.9	PAD PEDAL	2
11	D10042290.9	LATCH ROD	1
12	D91000070.9	KEY 1/4"X7/8" WOODRUFF	2
13	D10039740.9	SHAFT BRAKE PEDAL CROSS	1
14	D10039300.9	PEDAL ASSEMBLY BRAKE LH	1
15	D10012250.9	SPRING BRAKE PEDAL RETURN	2
16	D81000090.9	BOLT 7/16"-14X1.25" HEX HEAD	2
17	D10039290.9	PEDAL ASSEMBLY BRAKE RH	1
18	D93600120.9	SEAL O RING 0.139"X1.062"	1
19	D93400060.9	CLEVIS 10X47.62 ADJUSTABLE	2
20	D10017720.9	ROD AND CLEVIS ASSEMBLY BRAKE CONTROL	2
21	D10012470.9	RING CLUTCH AND BRAKE CROSS SHAFT LOCK	1
22	D10012480.9	WASHER BRAKE PEDAL CROSS SHAFT THRUST	1
23	D93600080.9	SEAL O RING 0.139"X1.125"	3
24	D10106420.9	BUSH BRAKE PEDAL	1
25	D92500050.9	GREASE NIPPLE 1/4"-28 STRAIGHT FITTING	1
26	D10013460.9	PIN 1/8"X0.75" COTTER	4
27	D10002040.9	BUSH BRAKE PEDAL SHAFT	1

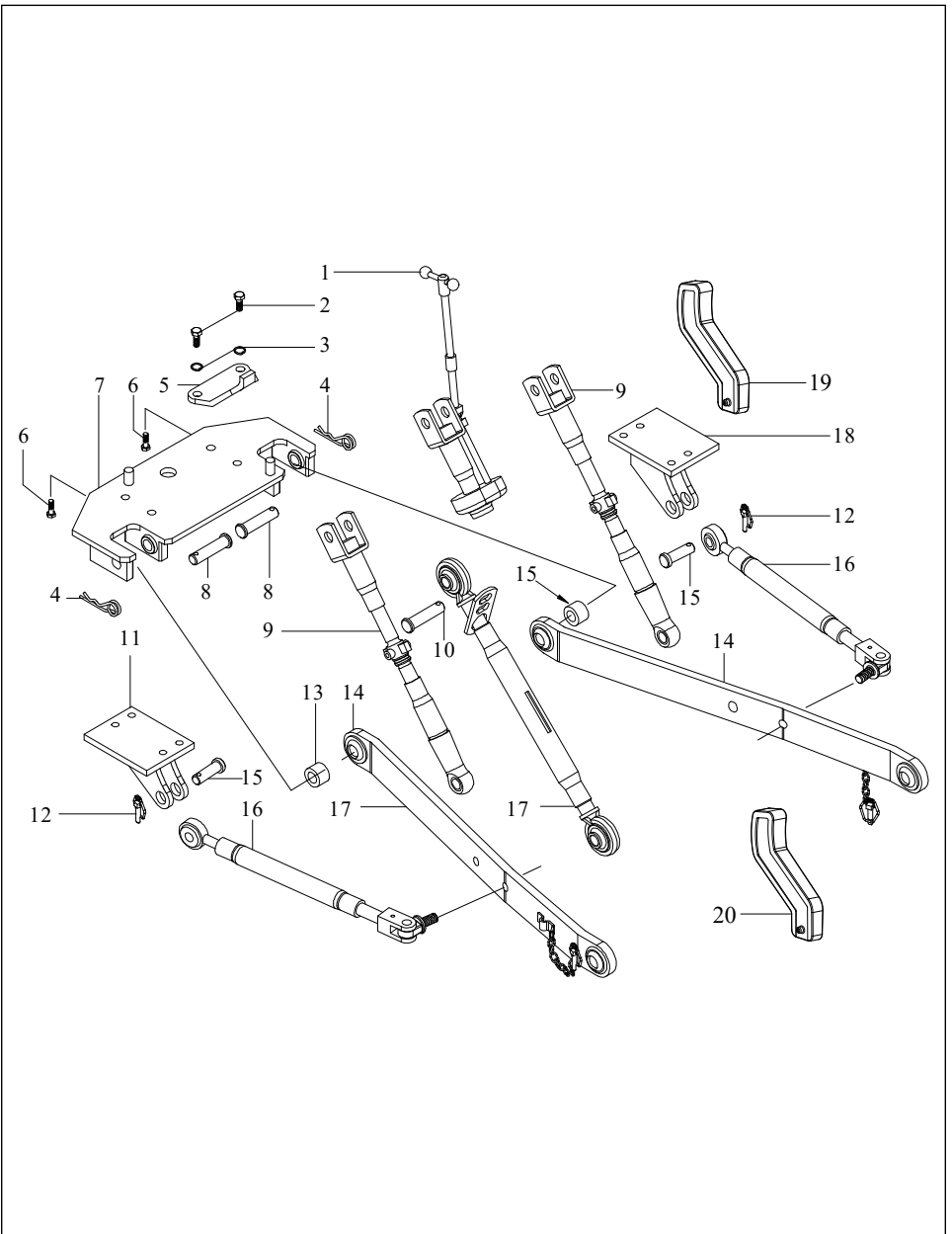
**TABLE-71**  
**HAND BRAKE SYSTEM**



**TABLE-71****HAND BRAKE SYSTEM**

<b>Fig. No.</b>	<b>Part No.</b>	<b>Description</b>	<b>Qty</b>
1	D10042050.9	LEVER ASSEMBLY PARKING BRAKE	1
1a	D10042060.9	LEVER ASSEMBLY PARKING BRAKE RH	1
2	D85500040.9	WASHER M6 FLAT	3
3	D81500490.9	BOLT M6X1.00X20-9.8 HEX HEAD	3
4	D10042980.9	BUSH PTO CLUTCH LEVER	1
5	D10324540.9	SHAFT PARKING BRAKE EXTENSION	1
6	D93400030.9	PIN 3/8"x1.14" CLEVIS	2
7	D10102360.9	CLEVIS 3/8"	1
8	D10013460.9	PIN 1/8"x0.75" COTTER	2
9	D10042820.9	ROD AND CLEVIS ASSEMBLY	2
10	D87000100.9	PIN 5/32"x1.25" COTTER	1
11	D85500160.9	WASHER M12 FLAT	1
12	D93400080.9	PIN 12X30.8 CLEVIS	1
13	D83500220.9	NUT M6X1.00-5 HEX	3
14	D10042210.9	BRACKET PARKING BRAKE LEVER MOUNTING	1
15	D86500030.9	WASHER M8 SPRING LOCK	2
16-1	D81502240.9	BOLT M8X1.25X30-10.9 HEX HEAD FLANGED	2

**TABLE-72**  
**HYDRAULIC LIFT LINKAGE**



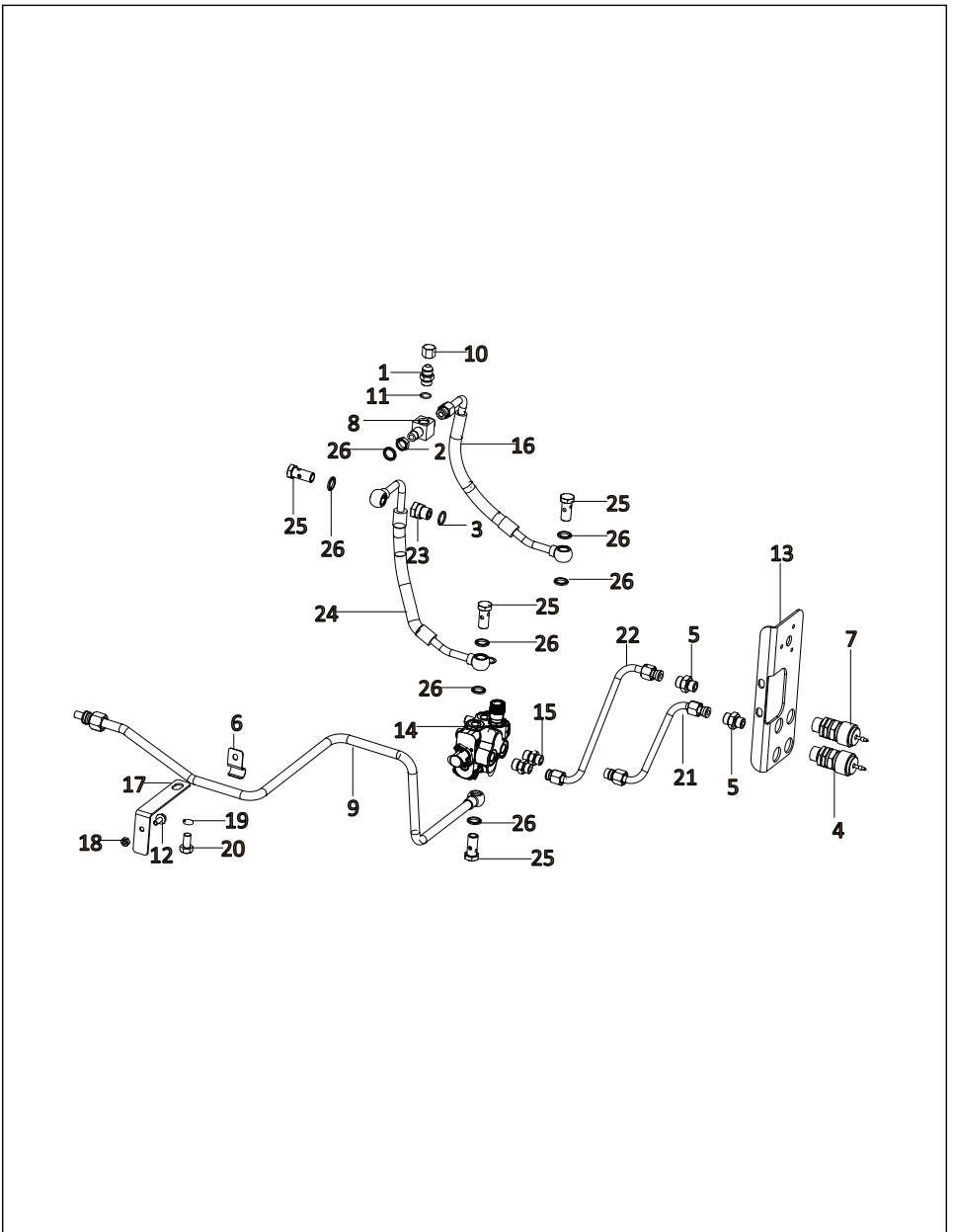
**TABLE-72**

**HYDRAULIC LIFT LINKAGE**

Fig. No.	Part No.	Description	Qty
1	D10039450.9	BOX ASSEMBLY HYDRAULIC LIFT LEVELLING	1
2	D81500370.9	BOLT M10X1.50X30-9.8 HEX HEAD	2
3	D86500050.9	WASHER M10 SPRING LOCK	2
4	D87000130.9	PIN 8X35 SPRING DOWEL	2
5	D10042590.9	BRACKET HYDRAULIC LIFT UPPER LINK HOLDING	1
6	D10042620.9	SCREW M16X2.00X58 HEX HEAD SELF LOCKING	4
7	D10147660.9	SUPPORT HYDRAULIC LIFT LOWER LINK MOUNTING	1
8	D10042610.9	PIN FULCRUM	2
9	D10039440.9	ROD ASSEMBLY HYDRAULIC LIFT LEVELLING LH	2
10	D10043230.9	PIN HYDRAULIC LIFT UPPER LINK (CAT II)	2
11	D10039340.9	BRACKET STAY BAR MOUNTING LH	1
12	D10042600.9	PIN SAFETY SPLIT	12
13	D10042630.9	SPACER HYDRAULIC LIFT LOWER LINK	2
14	D10310920.9	LINK ASSEMBLY HYDRAULIC LOWER LIFT	2
15	D10043010.9	PIN 22X67 CLEVIS	2
16	D10039460.9	BAR ASSEMBLY STAY	2
17	D10039430.9	LINK ASSEMBLY HYDRAULIC UPPER LIFT	1
18	D10039350.9	BRACKET STAY BAR MOUNTING RH	1
19	D10305870.9	HANDLE HYDRAULIC LIFT CONTROL FT6065 (RED)	1
20	D10306180.9	HANDLE HYDRAULIC LIFT CONTROL FT6065 (YELLOW)	1

TABLE-73

TUBING SPOOL CONTROL VALVE SUBASSEMBLY



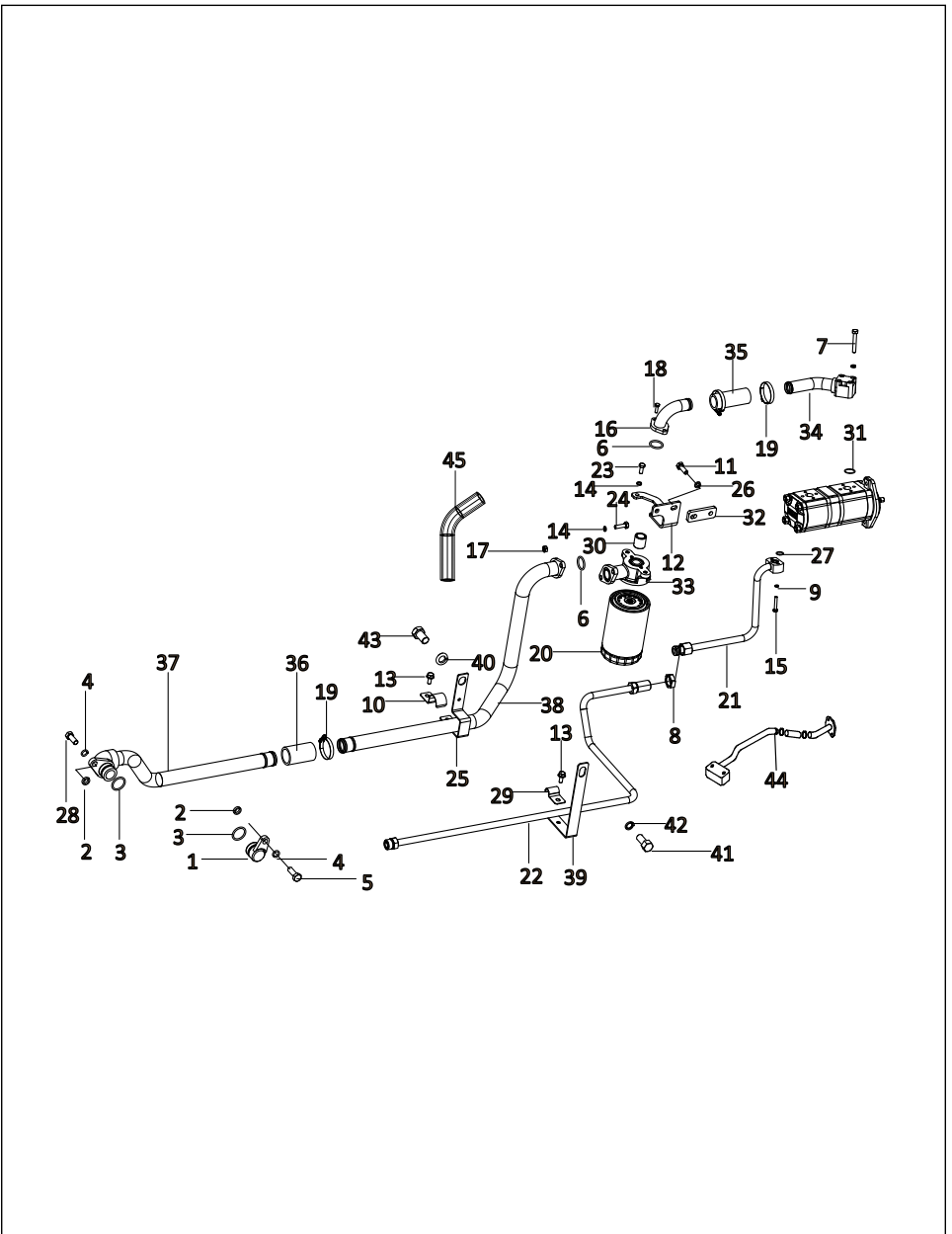


**TABLE-73****TUBING SPOOL CONTROL VALVE SUBASSEMBLY**

<b>Fig. No.</b>	<b>Part No.</b>	<b>Description</b>	<b>Qty</b>
1	D10021160.9	CONNECTER 1/2" FLX 3/4"-14 UNF STRAIGHT THREAD	1
2	D10042150.9	NUT M18X1.50 HEX HEAD LOCK	1
3	D10044190.9	WASHER 21.3X26 HYDRAULIC LIFT ADAPTER SEALING	1
4	D10193330.9	COUPLING ASSEMBLY VALVE HYDRAULIC REMOTE (POPPET TYPE)	1
5	D10375240.9	ADAPTOR 13/16"-16 UN AND 3/4"-16 UNF	2
6	D10504270.9	CLAMP TUBE HOLDING DIA 16	1
7	D10193340.9	COUPLING ASSEMBLY VALVE HYDRAULIC REMOTE (POPPET TYPE)	1
8	D10469780.9	ADAPTER HYDRAULIC CONTROL OIL RETURN	1
9	D10697830.9	TUBE ASSEMBLY HYDRAULIC PRESSURE CONNECTOR TO SCV INLET	1
10-1	D10224210.9	PLUG ACCESSORY COVER PLATE	1
11	D93600070.9	SEAL O RING 0.087"X0.644"	1
12	D82500230.9	SCREW M8X1.25X20-8.8 HEX HEAD FLANGED	1
13	D10044170.9	BRACKET COUPLING MOUNTING	1
14-1	D10832250.9	VALVE ASSEMBLY HYDRAULIC CONTROL SINGLE SPOOL	1
15	D10469790.9	ADAPTOR M18 AND 13/16"-16 UN	2
16	D10470650.9	HOSE ASSEMBLY SPOOL VALVE RETURN TO HOUSING REAR AXLE	1
17	D10519240.9	BRACKET ASSEMBLY SUCTION TUBE HOLDING	1
18	D83500060.9	NUT M8X1.25-6 HEX	1
19	D86500070.9	WASHER M14 SPRING LOCK	1
20	D81500580.9	BOLT M14X2.00X25-10.9 HEX HEAD LOCK	1
21	D10697850.9	TUBE ASSEMBLY SCV TO QRC UPPER RH	1
22	D10697870.9	TUBE ASSEMBLY SCV TO QRC UPPER LH	1
23	D10371770.9	ADAPTER HYDRAULIC LIFT INLET	1
24	D10418480.9	HOSE ASSEMBLY SPOOL VALVE TO HYDRAULIC LIFT	1
25	D10174960.9	BOLT BANJO M18X1.50	4
26	D10174950.9	SEAL BANJO BOLT DISTRIBUTOR TO CYLINDER TUBE	8

TABLE-74

TUBING HYDRAULIC SUBASSEMBLY

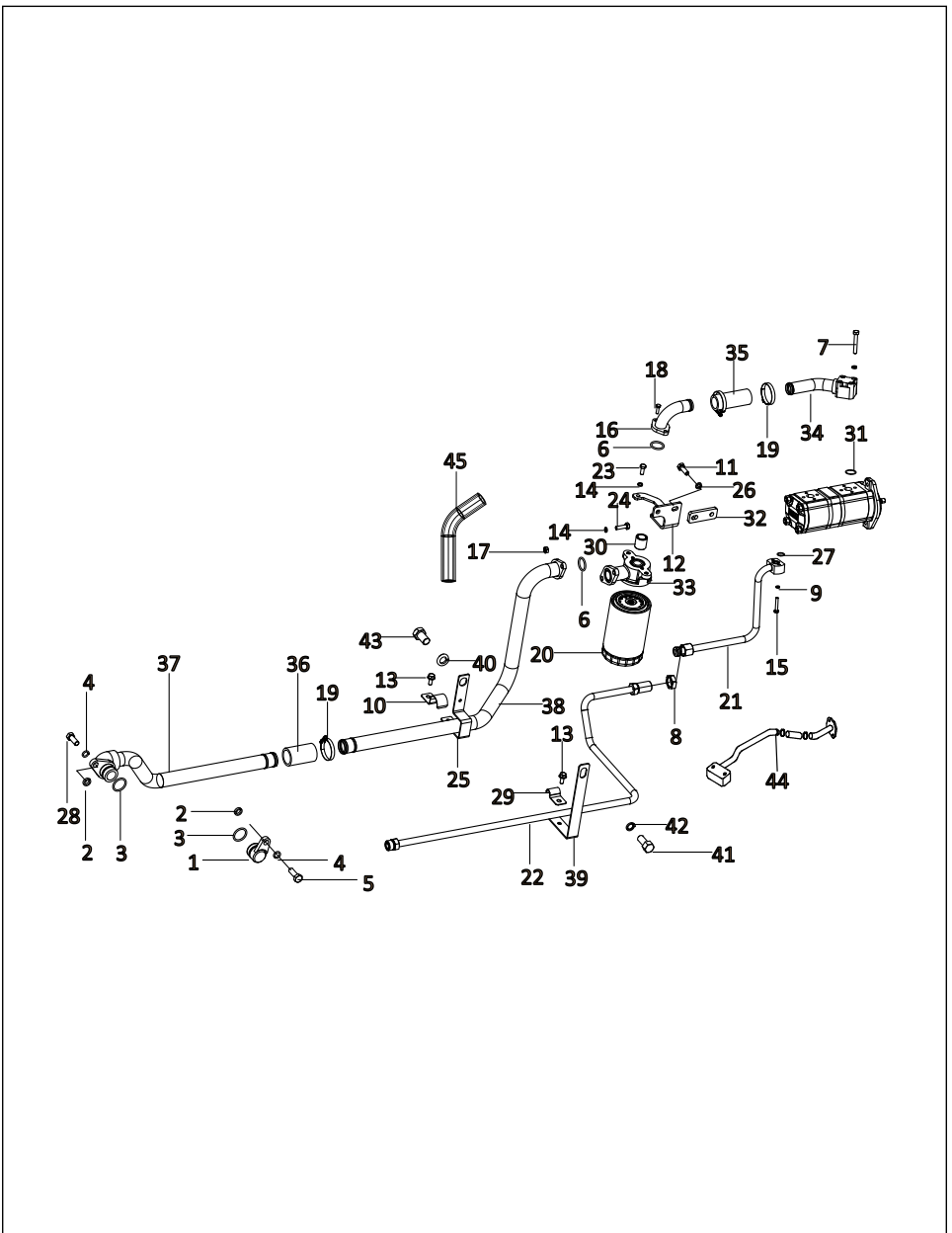


**TABLE-74****TUBING HYDRAULIC SUBASSEMBLY**

<b>Fig. No.</b>	<b>Part No.</b>	<b>Description</b>	<b>Qty</b>
1	D10522860.9	PLUG ASSEMBLY SUCTION PORT	1
2	D10521800.9	SPACER HYDRAULIC SUCTION	1
3	D93600020.9	SEAL O RING 0.139"X1.250"	2
4	D86500020.9	WASHER M12 SPRING LOCK	2
5	D81500040.9	BOLT M12X1.75X35-8.8 HEX HEAD	1
6	D93600080.9	SEAL O RING 0.139"X1.125"	2
7-1	D81500260.9	BOLT M8X1.25X55-6.6P HEX HEAD	2
8	D83000480.9	NUT 1"-14 LOCK BULKHEAD	1
9	D86500040.9	WASHER M6 SPRING LOCK	2
10	D10504290.9	CLAMP TUBE HOLDING DIA 35	1
11	D81500480.9	BOLT M10X1.50X30-6.6 HEX HEAD	2
12	D10519120.9	BRACKET FILTER ADAPTER MOUNTING	1
13	D82500230.9	SCREW M8X1.25X20-8.8 HEX HEAD FLANGED	2
14	D86500030.9	WASHER M8 SPRING LOCK	6
15	D81500340.9	BOLT M6X1.00X35-8.0 HEX HEAD	2
16	D10561570.9	TUBE ASSEMBLY HYDRAULIC FILTER TO TANDEM PUMP	1
17	D83500110.9	NUT M8X1.25-8 HEX	2
18	D82500120.9	SCREW M6X1.00X20-6.6P HEX HEAD	2
19-1	D10017540.9	CLAMP RADIATOR HOSE UPPER	4
20	D10222790.9	FILTER ASSEMBLY HYDRAULIC LIFT OIL INTAKE (DELPHINIUM BLUE)	1
21	D10519200.9	TUBE ASSEMBLY HYDRAULIC PRESSURE TANDEM PUMP TO CONNECTOR	1
22	D10519270.9	TUBE ASSEMBLY HYDRAULIC PRESSURE CONNECTOR	1
23	D81500110.9	BOLT M8X1.25X20-8.8 HEX HEAD	2
25	D10697930.9	BRACKET ASSEMBLY SUCTION TUBE HOLDING	1
26	D86500090.9	WASHER M10 SPRING LOCK	2
27	D93600670.9	SEAL O RING 1.78X15.6	1
28	D81500560.9	BOLT M12X1.75X30-6G HEX HEAD	1
29	D10504270.9	CLAMP TUBE HOLDING DIA 16	1
30	D10013260.9	ADAPTOR OIL FILTER	1
31	D93600580.9	SEAL O RING 1.78X23.52	1
32	D10519290.9	SPACER FILTER MOUNTING BRACKET	1
33	D10284540.9	ADOPTER HYDRAULIC OIL FILTER	1
34	D10561580.9	TUBE ASSEMBLY HYDRAULIC FILTER TO TANDEM PUMP	1
35	D10480740.9	HOSE HYDRAULIC SUCTION FILTER TUBE TO TANDUM PUMP TUBE	1
36	D10535470.9	HOSE SUCTION TUBE DIA 35	1
37	D10697910.9	TUBE ASSEMBLY HYDRAULIC SUCTION HOUSING TO HOSE	1
38	D10697890.9	TUBE ASSEMBLY HYDRAULIC SUCTION HOSE TO FILTER	1
39	D10701200.9	BRACKET ASSEMBLY SUCTION TUBE HOLDING	1
40-1	D86500080.9	WASHER M20 SPRING LOCK	1
41	D81500250.9	BOLT M16X2.00X35-8.8P HEX HEAD	1

TABLE-74

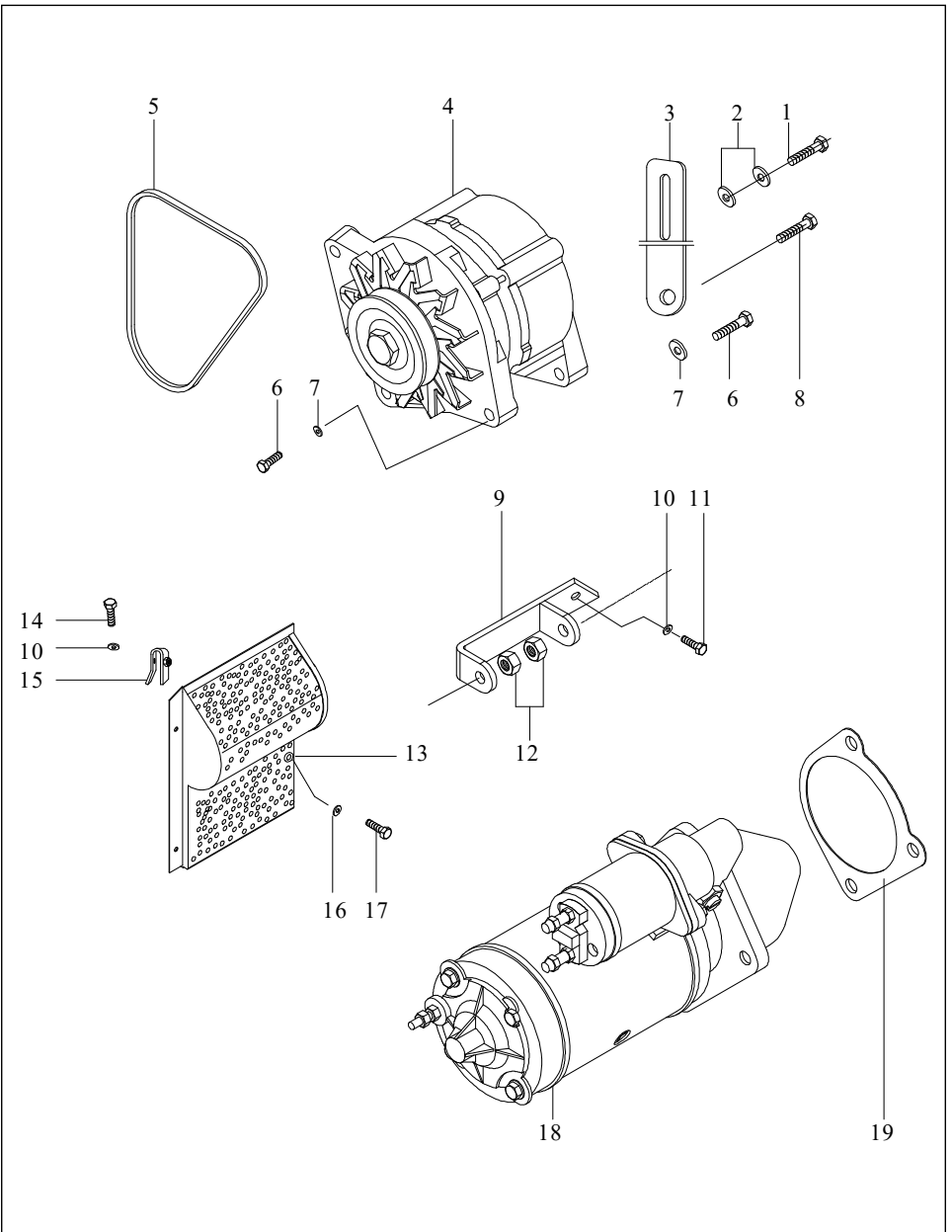
TUBING HYDRAULIC SUBASSEMBLY



**TABLE-74****TUBING HYDRAULIC SUBASSEMBLY**

<b>Fig. No.</b>	<b>Part No.</b>	<b>Description</b>	<b>Qty</b>
42	D86500060.9	WASHER M16 SPRING LOCK	1
43	D81001520.9	BOLT 3/4"-10X1.25" HEX HEAD	1
44	D10237870.9	HOSE HYDRAULIC LIFT PUMP INLET TUBE	1
45	D10326000.9	HOSE ENGINE OVERFLOW TUBE TO FUEL TANK TUBE	1

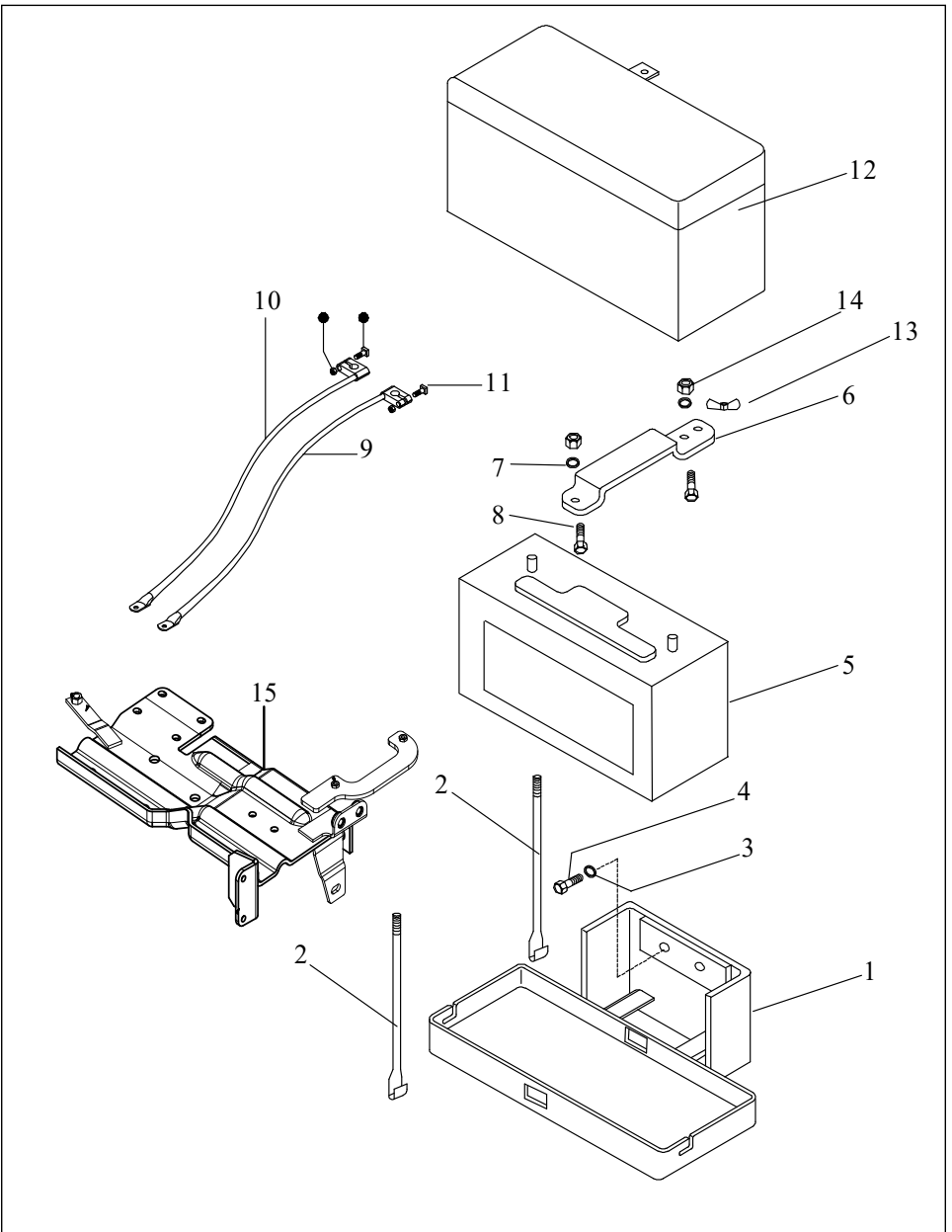
**TABLE-75**  
**ALTERNATOR GUARD & STARTER MOTOR**



**TABLE-75****ALTERNATOR GUARD & STARTER MOTOR**

<b>Fig. No.</b>	<b>Part No.</b>	<b>Description</b>	<b>Qty</b>
3	D10010960.9	ARM ALTERNATOR BELT	1
4	D10197190.9	ALTERNATOR ASSEMBLY 55 AMPERE (B TYPE PULLEY)	1
5	D10184350.9	BELT DRIVE B1275	1
6	D81000660.9	BOLT 5/16"-24X1.125" HEX HEAD	1
7	D85000040.9	WASHER 5/16" FLAT	2
8	D81000260.9	BOLT 5/16"-18X1.50" HEX HEAD	1
9	D10194350.9	BRACKET ASSEMBLY ALTERNATOR MOUNTING	1
10	D10021570.9	WASHER 3/8" FLAT	2
11	D81000720.9	BOLT 3/8"-16X0.875" HEX HEAD	2
12	D83000060.9	NUT 5/16"-18 HEX	2
13	D10219670.9	GUARD ASSEMBLY ALTERNATOR FAN	1
14	D82000080.9	SCREW #10-24X1.25" HEX HEAD	4
15	D10018540.9	NUT RADIATOR GRILL MOUNTING	4
16	D81000340.9	BOLT 5/16"-18X2.50" HEX HEAD	1
17	D85000040.9	WASHER 5/16" FLAT	1
18	D10104190.9	STARTER MOTOR ASSEMBLY LUCAS M127 (2.8KW)	1
19	D95010830.9	LOCTITE 5060	1

**TABLE-76**  
**BATTERY AND BATTERY SUPPORT**

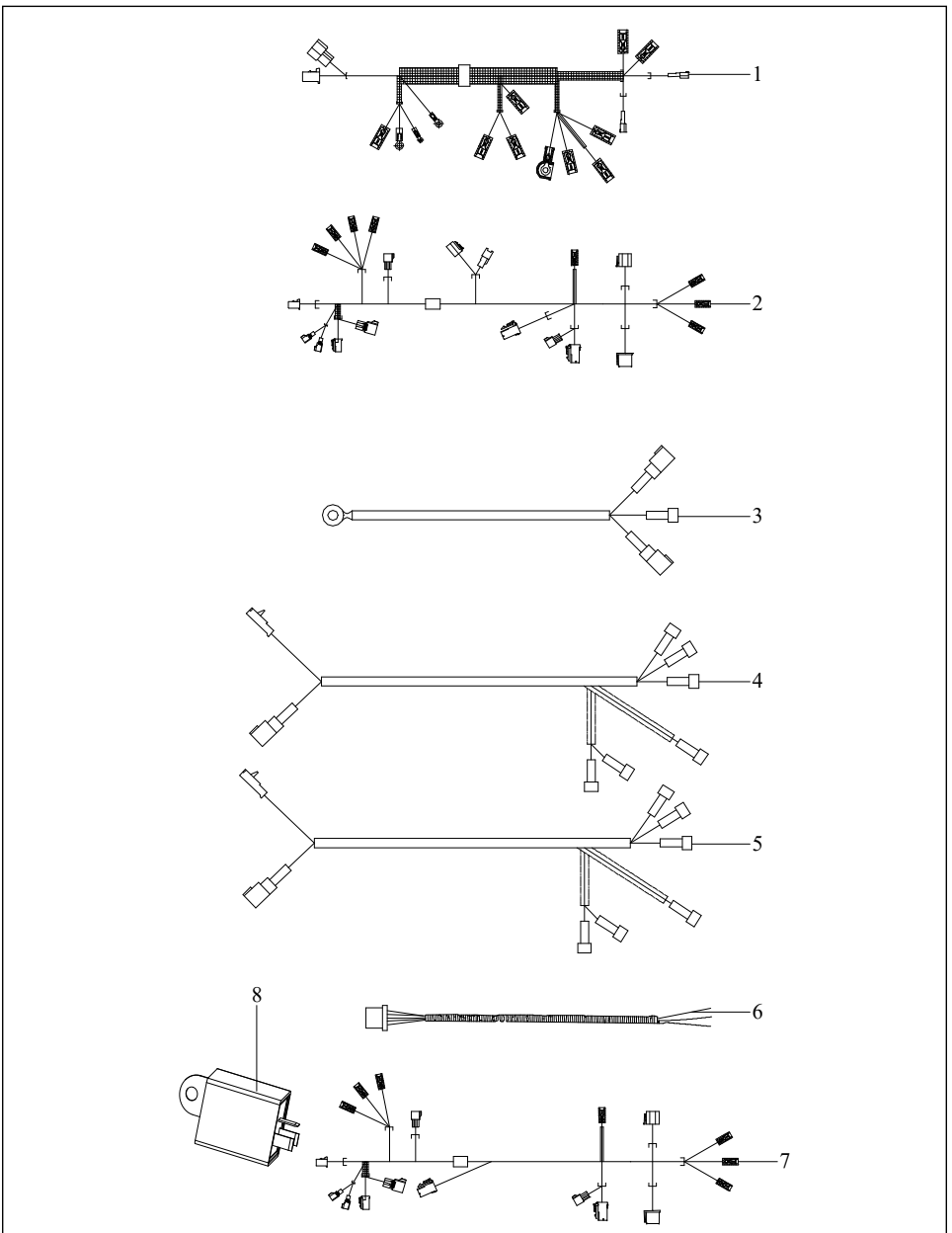




**TABLE-76****BATTERY AND BATTERY SUPPORT**

<b>Fig. No.</b>	<b>Part No.</b>	<b>Description</b>	<b>Qty</b>
1	D10208550.9	TRAY BATTERY AND BRACKET SUPPORT ASSEMBLY	1
2	D10208590.9	ROD BATTERY HOLD DOWN RH	1
2A	D10208600.9	ROD BATTERY HOLD DOWN LH	1
3-1	D86500080.9	WASHER M20 SPRING LOCK	2
4	D81000880.9	BOLT 3/4"-10X1.75" HEX HEAD	2
5	D10082850.9	BATTERY ASSEMBLY MAINTENANCE FREE TYPE 12V 88AH	1
6	D10379280.9	BRACKET ASSEMBLY BATTERY HOLD DOWN	1
7	D85000030.9	WASHER 1/4" FLAT	2
8	D81000390.9	BOLT 1/4"-28X0.62" HEX HEAD	2
9	D10034200.9	CABLE ASSEMBLY BATTERY TO GROUND	1
10	D10242180.9	CABLE ASSEMBLY BATTERY TO STARTER SOLENOID	1
11	D83000150.9	NUT 5/16"-18 HEX LOCK	2
12	D10208580.9	COVER ASSEMBLY BATTERY	1
13	D10018710.9	NUT 5/16"-18 WING	1
14	D81000400.9	NUT 1/4"-28 HEX	2
15	D10214190.9	BRACKET ASSEMBLY BATTERY SUPPORT REAR	1

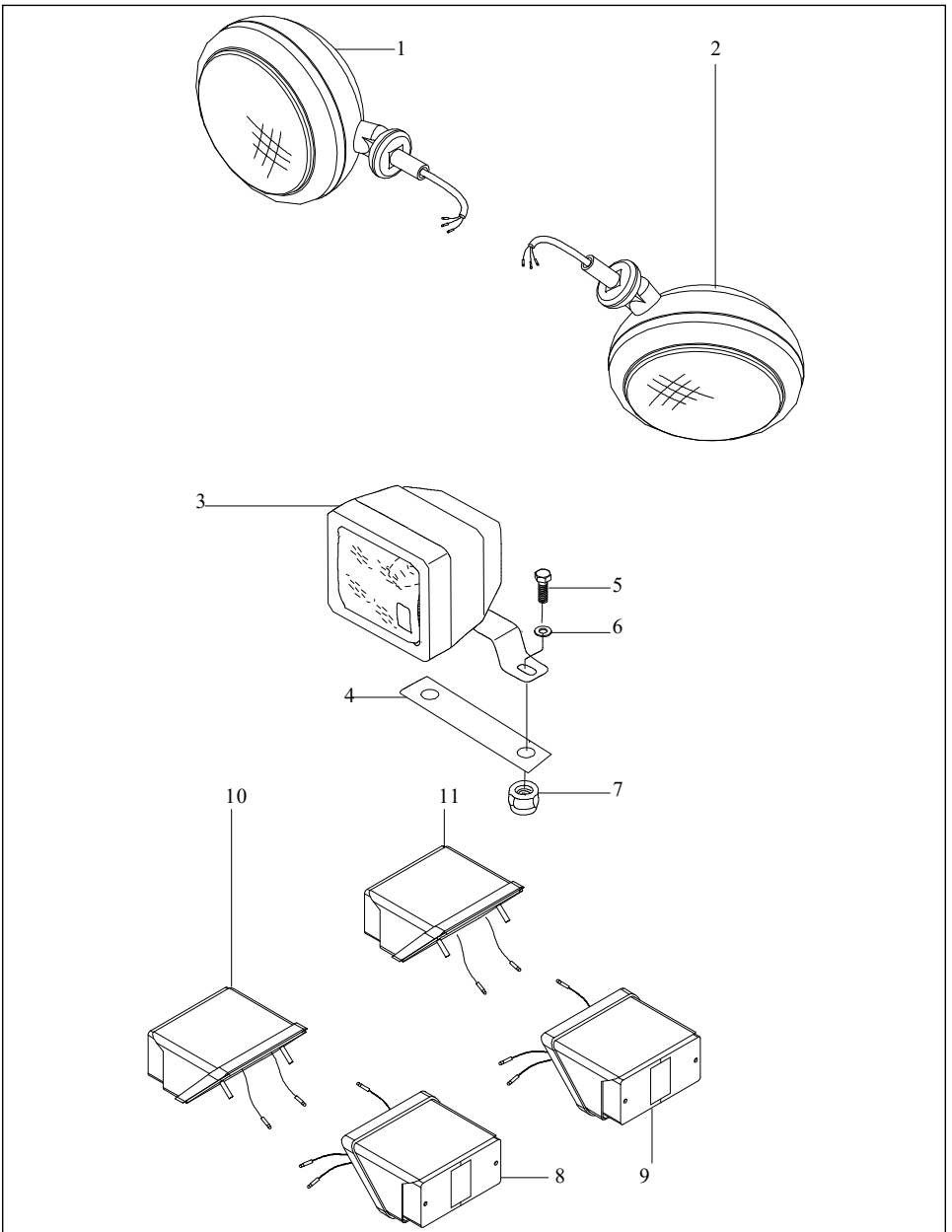
**TABLE-77**  
**WIRING HARNESS SYSTEM**



**TABLE-77****WIRING HARNESS SYSTEM**

<b>Fig. No.</b>	<b>Part No.</b>	<b>Description</b>	<b>Qty</b>
1	D10341400.9	HARNESS ASSEMBLY ELECTRICAL MAIN	1
2	D10499960.9	HARNESS ASSEMBLY INSTRUMENT PANEL TO RUNNING BOARD	1
3	D10437330.9	HARNESS ASSEMBLY REAR FENDER RH	1
4	D10499970.9	HARNESS ASSEMBLY REAR FENDER LH	1
5	D10135520.9	HARNESS ASSEMBLY TRAILER SOCKET	1
6	D10080830.9	WIRE ASSEMBLY FUSE BOX	1
7	D10341410.9	HARNESS ASSEMBLY INSTRUMENT PANEL	1
8	D10019350.9	FLASHER ASSEMBLY INDICATOR	1

**TABLE-78**  
**HEAD LAMP AND WORK LAMP**

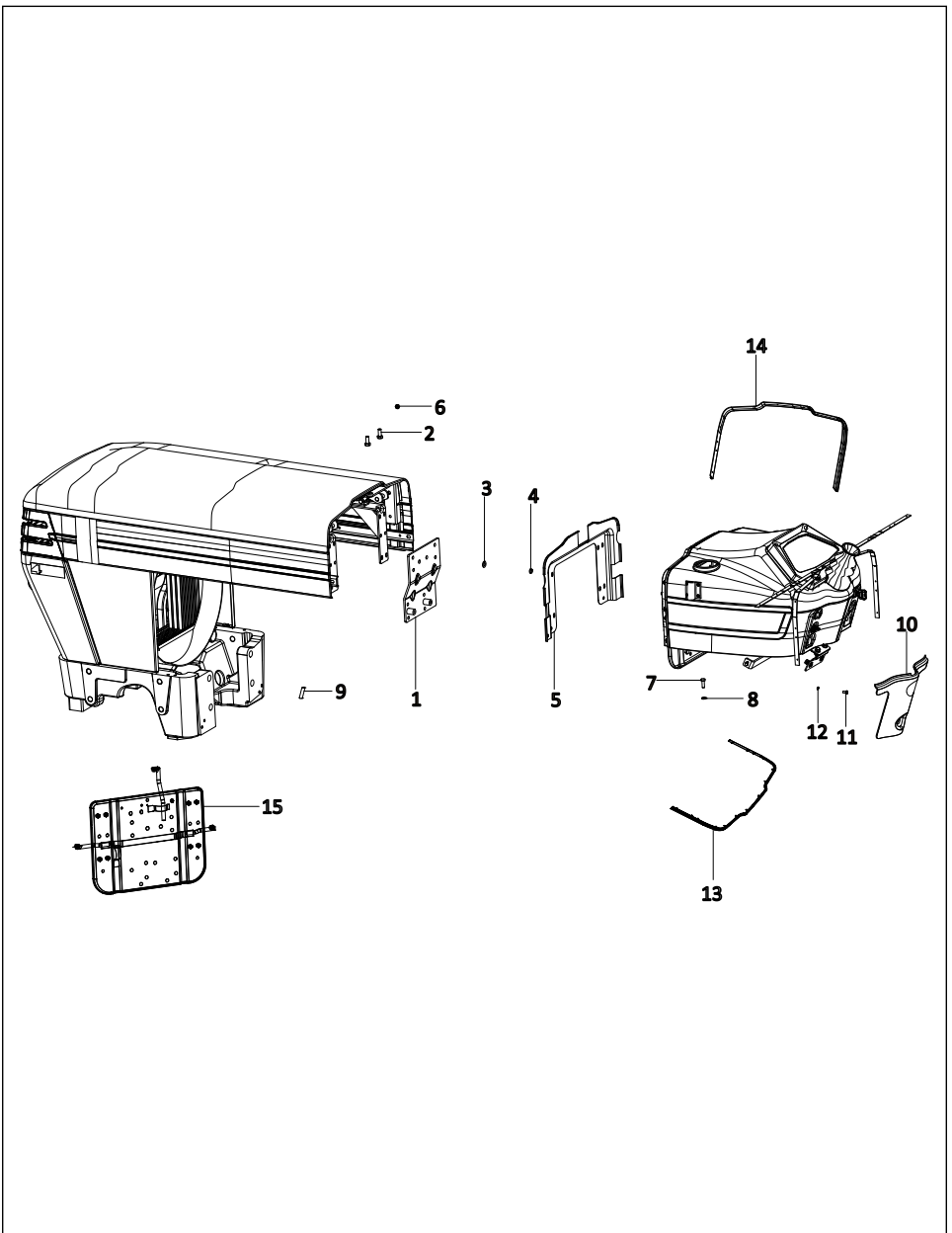


**TABLE-78****HEAD LAMP AND WORK LAMP**

<b>Fig. No.</b>	<b>Part No.</b>	<b>Description</b>	<b>Qty</b>
1	D10197900.9	HEAD LAMP ASSEMBLY RH (CLEAR LENS)	1
2	D10197890.9	HEAD LAMP ASSEMBLY LH (CLEAR LENS)	1
3	D10026390.9	LAMP ASSEMBLY WORK	1
4	D10017520.9	PLATE PLOUGH LAMP	1
5	D10018380.9	BOLT 3/8"-24X0.87" DRIVER SEAT HINGE TO SPRING	2
6	D85000010.9	WASHER 3/8" FLAT	2
7	D10016890.9	NUT 3/8"-24 HEX	2
8	D10372570.9	LAMP ASSEMBLY FENDER REAR RH	2
9	D10372590.9	LAMP ASSEMBLY FENDER REAR LH	2
10	D10372560.9	LAMP ASSEMBLY PARKING RH	2
11	D10372580.9	LAMP ASSEMBLY PARKING LH	2

TABLE-79

HOOD FRONT AND REAR SUBASSEMBLY



**TABLE-79****HOOD FRONT AND REAR SUBASSEMBLY**

<b>Fig. No.</b>	<b>Part No.</b>	<b>Description</b>	<b>Qty</b>
1	D10212920.9	PLATE ASSEMBLY HOOD REAR	1
2	D81500280.9	BOLT M10X1.50X25-6G HEX HEAD (CARRARO PART NO 127922)	10
3	D85500140.9	WASHER M10 FLAT	12
4	D86500090.9	WASHER M10 SPRING LOCK	10
5-2	D10959600AB.9	BAFFLE PLATE HOT AIR	1
6-1	D83500060.9	NUT M8X1.25-6 HEX	8
7	D81500590.9	BOLT M8X1.25X25-6.6 HEX HEAD	7
8-1	D85500130.9	WASHER M8 FLAT	11
9	D84500170.9	STUD B M8X1.25X42-8.8	8
10	D10690720.9	COVER STEERING GEAR	1
11	D82500050.9	SCREW M6X1.00X12-6.8 HEX HEAD	1
12	D86500040.9	WASHER M6 SPRING LOCK	3
13	D10308690.9	SEALING ASSEMBLY REAR HOOD	1
14	D10309030.9	SEALING REAR HOOD	1
15	D10223190.9	SUPPORT AND BRACKET ASSEMBLY HOOD REAR	1



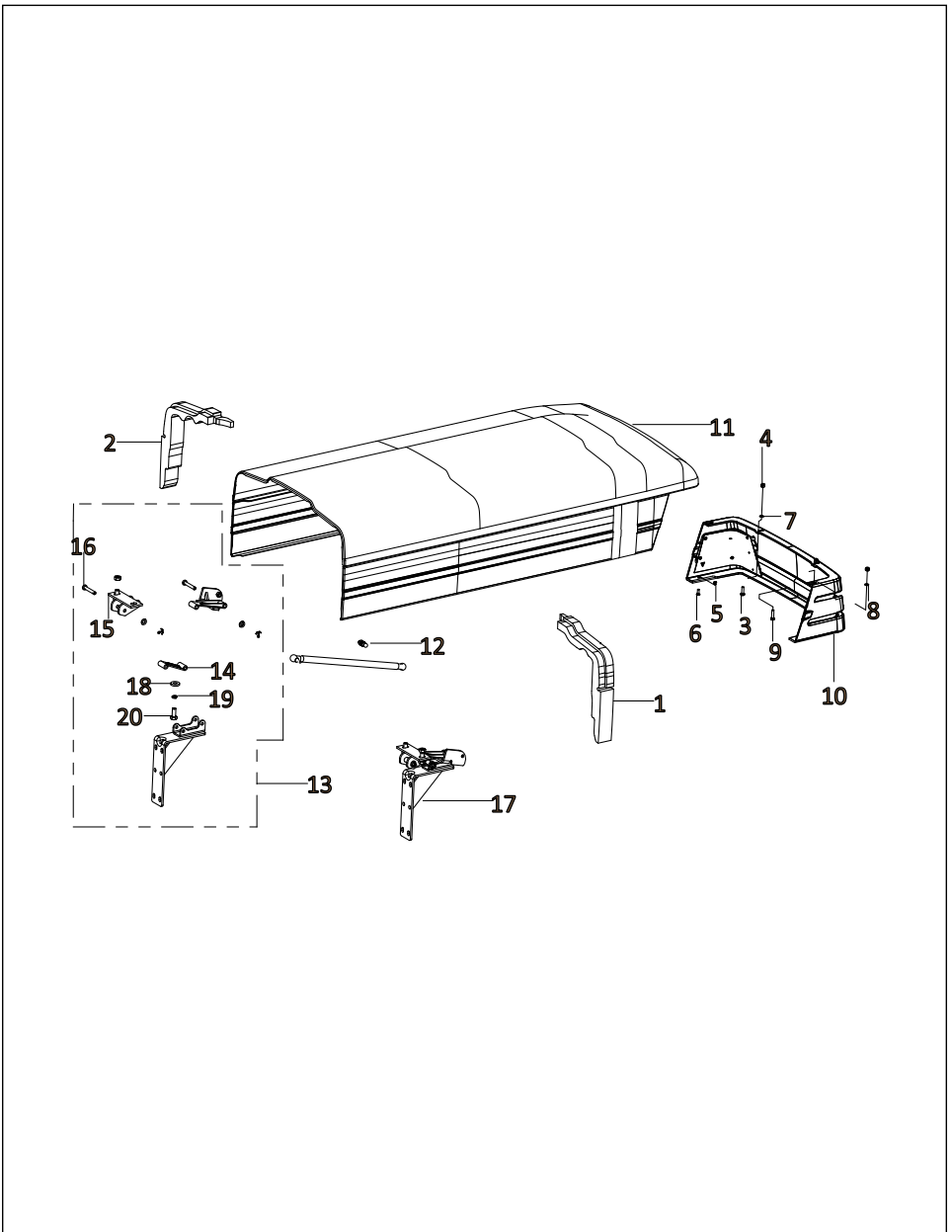


**TABLE-80****HOOD REAR AND INSTRUMENT CLUSTER ASSEMBLY**

<b>Fig. No.</b>	<b>Part No.</b>	<b>Description</b>	<b>Qty</b>
1	D10016490.9	GROMMET HOOD SUPPORT	1
2	D10016820.9	NUT INSTRUMENT CLUSTER RETAINING	4
3	D10341410.9	HARNESS ASSEMBLY INSTRUMENT PANEL	1
4	D10017350.9	CLAMP FUEL SHUT OFF CABLE	1
5	D10017400.9	BOLT 1/4"-20X0.50" HEX HEAD FLANGED (GENERATOR TERMINAL)	1
6	D10804970.9	PANEL ASSEMBLY HOOD REAR (PAINT TSA DELPHINIUM BLUE)	1
7	D10039900.9	SCREW 1/4"-28X1.50" PAN HEAD	4
8	D10018680.9	BOLT 5/16"-24X0.56 HEX HEAD	2
10	D10317160.9	SWITCH ASSEMBLY HEATER AND STARTER	1
11	D10206690.9	KEY IGNITION LOCK FARMTRAC	2
12Å	D10387160.9	SWITCH ASSEMBLY LIGHTING	1
13Å	D10687970.9	CLUSTER ASSEMBLY INSTRUMENT	1
14	D81000420.9	BOLT 5/16"-18X0.88" HEX HEAD	4
15	D81000710.9	BOLT 1/4"-20X0.62" HEX HEAD	4
16	D83000060.9	NUT 5/16"-18 HEX	4
17	D85000030.9	WASHER 1/4" FLAT	4
18	D86000110.9	WASHER 5/16" LOCK EXTERNAL TOOTH	3
19	D10016460.9	SWITCH ASSEMBLY HORN BLOWING	1
22	D10016630.9	SCREW M5X0.80X25 CROSS RECESSED PAN HEAD	4
22-1	D10216680.9	SCREW M5X0.80X20 CROSS RECESSED PAN HEAD	4
22-2	D10216680.9	SCREW M5X0.80X20 CROSS RECESSED PAN HEAD	4
24	D10026540.9	GROMMET HAND THROTTLE CONTROL LEVER	1
25	D10018100.9	NUT M5X0.80 NYLOCK	4
25-2	D10018100.9	NUT M5X0.80 NYLOCK	4
26Å	D10291530.9	SWITCH ASSEMBLY TURN SIGNAL	1
27	D10017940.9	GROMMET 0.53X0.75 ROUND FLANGE	1
28	D10080830.9	WIRE ASSEMBLY FUSE BOX	1

**TABLE-81**

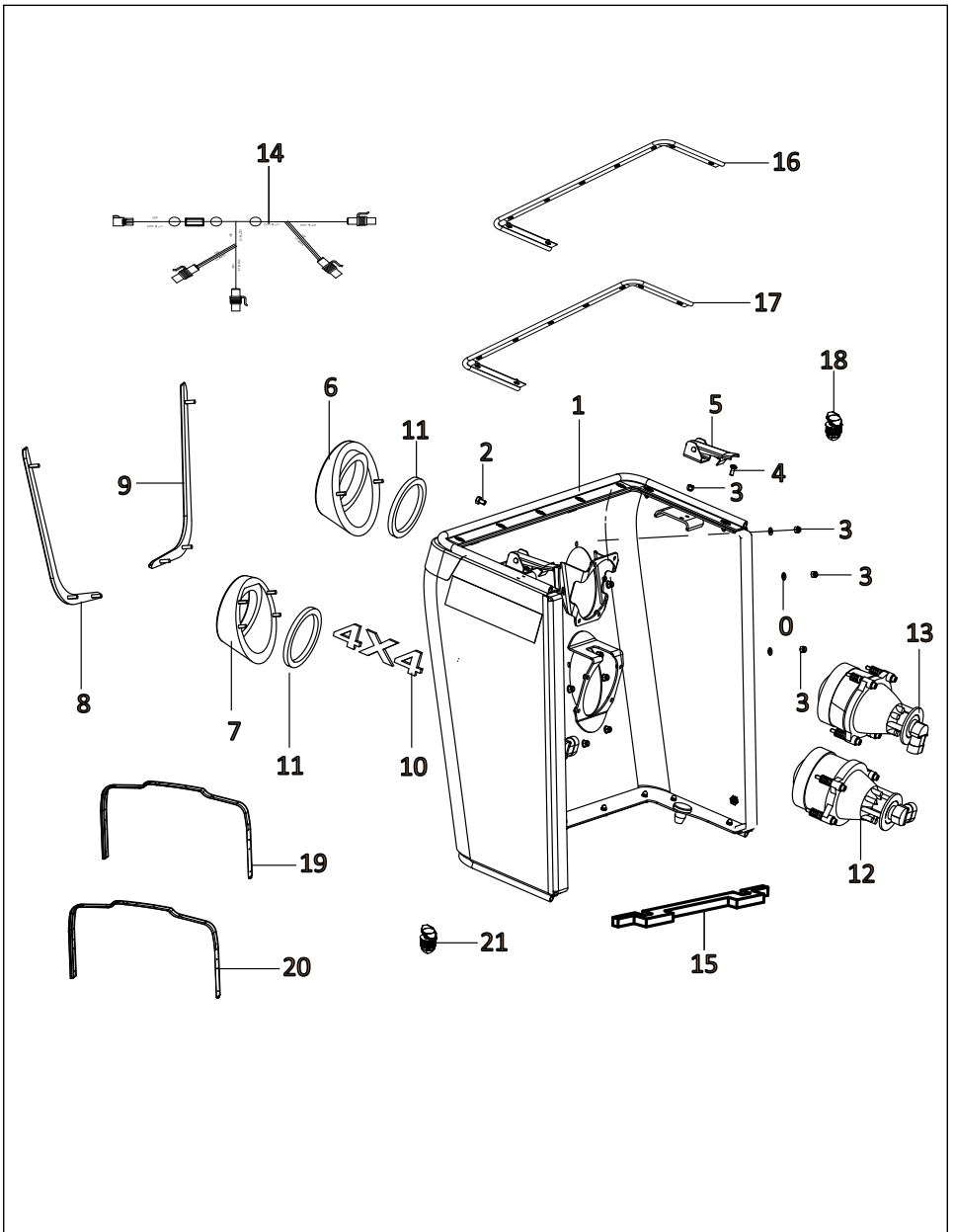
**HOOD FRONT AND PANEL TOP ASSEMBLY**



**TABLE-81****HOOD FRONT AND PANEL TOP ASSEMBLY**

<b>Fig. No.</b>	<b>Part No.</b>	<b>Description</b>	<b>Qty</b>
1	D10321410.9	FOAM SEALING FRAME UPPER LH	1
2	D10321420.9	FOAM SEALING FRAME UPPER RH	1
3	D82500120.9	SCREW M6X1.00X20-6.6P HEX HEAD	2
4	D10017930.9	NUT M6X1.00 HEX NYLOCK	4
5-1	D10018100.9	NUT M5X0.80 NYLOCK	2
6	D10314430.9	SCREW M5X0.80X16 COUNTERSUNK HEAD	2
7	D85500110.9	WASHER M6 FLAT	8
8	D10804510.9	PANEL ASSEMBLY HOOD TOP FRONT (PAINT TSA DELPHINIUM BLUE)	2
9-1	D10034960.9	SCREW M6X1.00X25-6.6 HEX HEAD	2
10	D10283490.9	HOOD ASSEMBLY FRONT (PLASTIC)	1
11	D10804510.9	PANEL ASSEMBLY HOOD TOP FRONT (PAINT TSA DELPHINIUM BLUE)	1
12	D10311250.9	END ASSEMBLY GAS STRUT	4
13	D10316670.9	HINGE ASSEMBLY WITH LEVER AND BRACKET PANEL HOOD TOP FRONT LH	1
14	D10316680.9	HINGE ASSEMBLY WITH LEVER AND BRACKET PANEL HOOD TOP FRONT RH	1
15	D85000090.9	WASHER 7/16" FLAT	4
16	D86500090.9	WASHER M10 SPRING LOCK	4
17	D81500280.9	BOLT M10X1.50X25-6G HEX HEAD (CARRARO PART NO 127922)	4

**TABLE-82**  
**GRILL FRONT AND BEZEL ASSEMBLY**

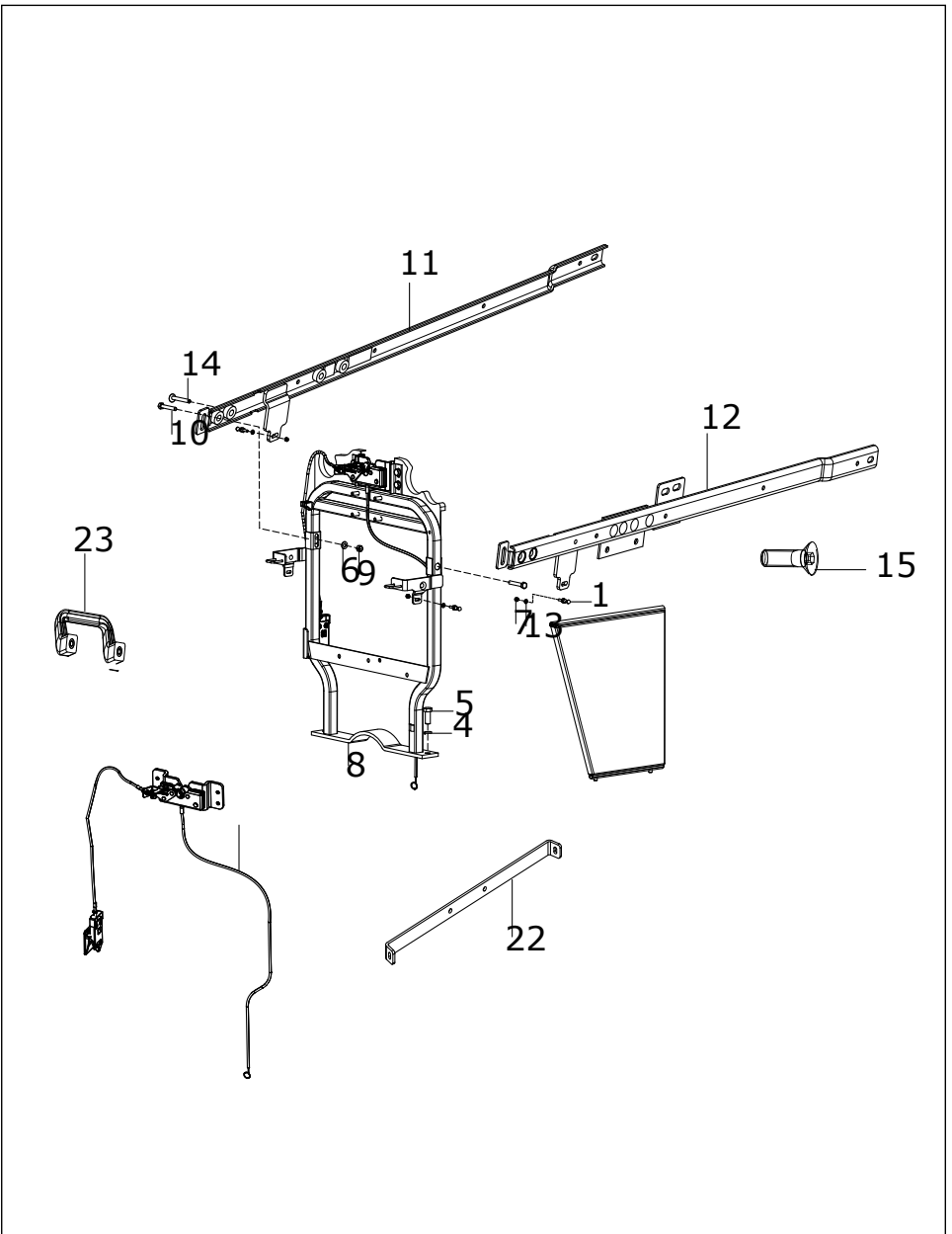


**TABLE-82****GRILL FRONT AND BEZEL ASSEMBLY**

<b>Fig. No.</b>	<b>Part No.</b>	<b>Description</b>	<b>Qty</b>
1	D10340330.9	GRILL ASSEMBLY FRONT	1
2	D81500300.9	BOLT M5X0.80X8-9.8 HEX HEAD	2
3	D10017000.9	NUT M4X0.70 NYLOCK	20
4	D10016990.9	SCREW M4X0.70X10	8
5	D10016980.9	LATCH ASSEMBLY HOOD	2
6	D10340410.9	BEZEL HEAD LAMP LOW BEAM	2
7	D10340420.9	BEZEL HEAD LAMP HIGH BEAM	2
8	D10340430.9	BEZEL LH FRONT GRILL	1
9	D10340440.9	BEZEL RH FRONT GRILL	1
10	D10366870.9	BADGE 4X4	2
11	D10377130.9	FOAM SEALING HEAD LAMP	4
12	D10338490.9	HEAD LAMP ASSEMBLY (HIGH BEAM PROJECTOR)	2
13	D10338500.9	HEAD LAMP ASSEMBLY (LOW BEAM PROJECTOR)	2
14	D10338530.9	WIRE ASSEMBLY HEAD LAMP PROJECTOR	1
15	D10451450.9	FOAM SEALING BAFFLE PLATE	1
16	D10342410.9	SEALING ASSEMBLY FRONT GRILL UPPER	1
17	D10340450.9	SEALING FRONT GRILL UPPER	1
18	D10309040.9	CLIP SEALING LOCK	9
19	D10342420.9	SEALING ASSEMBLY FRONT GRILL LOWER	1
20	D10340460.9	SEALING FRONT GRILL LOWER	1
21	D10309040.9	CLIP SEALING LOCK	9

TABLE-83

FRAME ASSEMBLY RADIATOR AND SIDE GUARD SUBASSEMBLY

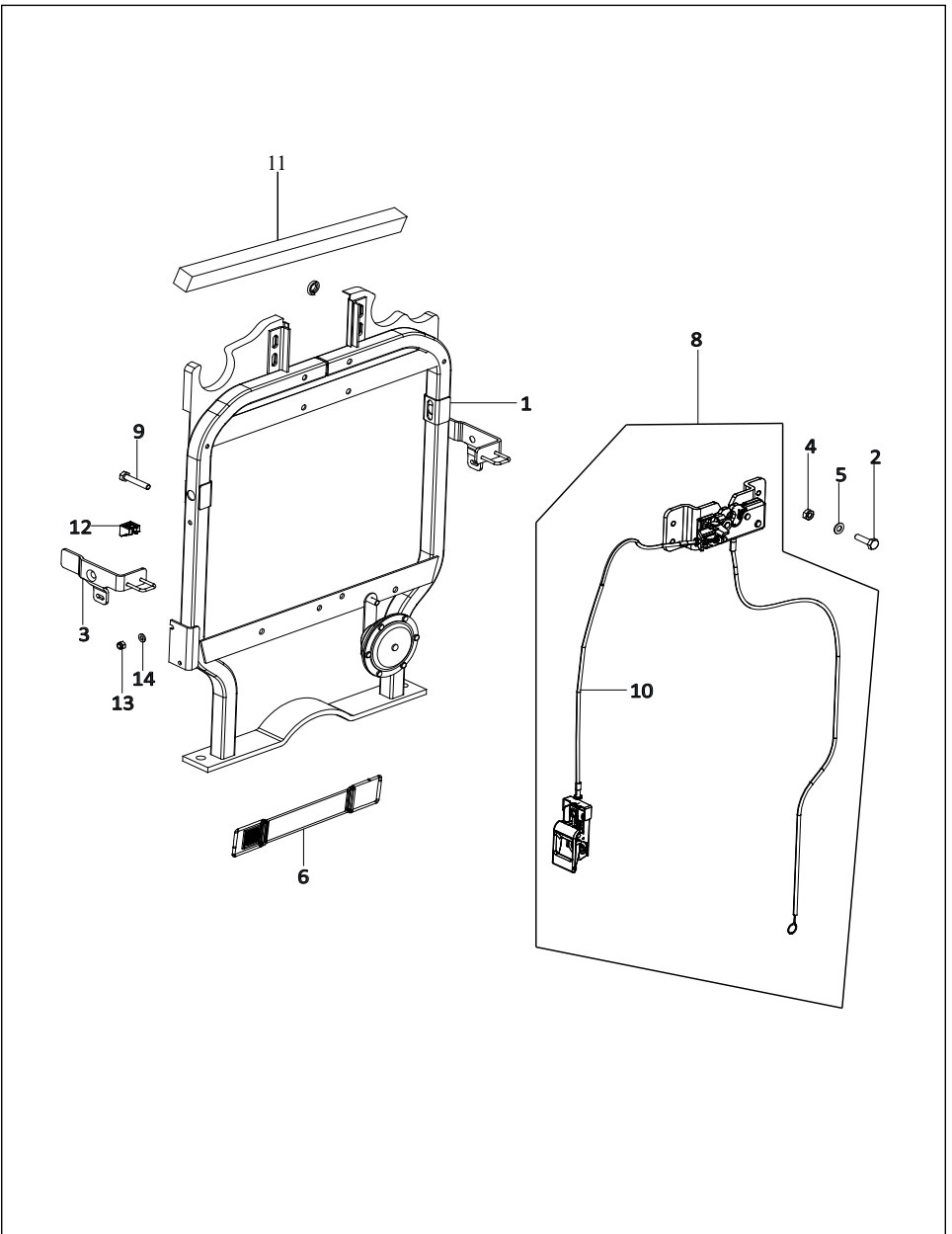


**TABLE-83****FRAME ASSEMBLY RADIATOR AND SIDE GUARD SUBASSEMBLY**

<b>Fig. No.</b>	<b>Part No.</b>	<b>Description</b>	<b>Qty</b>
1	D10306490.9	PIN LOCK SIDE GUARD	4
4	D86500020.9	WASHER M12 SPRING LOCK	2
5	D81500560.9	BOLT M12X1.75X30-6G HEX HEAD	2
7-1	D10018100.9	NUT M5X0.80 NYLOCK	4
9	D83500160.9	NUT M8X1.25 NYLOCK HEX	2
10-1	D81503600.9	BOLT M8X1.25X50-8.8 HEX HEAD	2
11	D10523520.9	BRACKET SUPPORT ASSEMBLY RADIATOR RH	1
12	D10523530.9	BRACKET SUPPORT ASSEMBLY RADIATOR LH	1
13	D85500090.9	WASHER M5 FLAT	4
14	D10320370.9	SCREW M8X1.25X50-12.9 COUNTERSUNK HEAD	4
15	D82500760.9	SCREW M8X1.25X25-12.9 COUNTERSUNK HEAD	4
21	D10223100.9	LATCH ASSEMBLY HOOD	1
22	D10690730.9	BRACKET STEERING COVER MOUNTING	1
23	D10306410.9	HOLD DOWN REAR FENDER	2

**TABLE-84**

**FRAME COOLING SYSTEM AND ELECTRICAL FRONT ASSEMBLY**

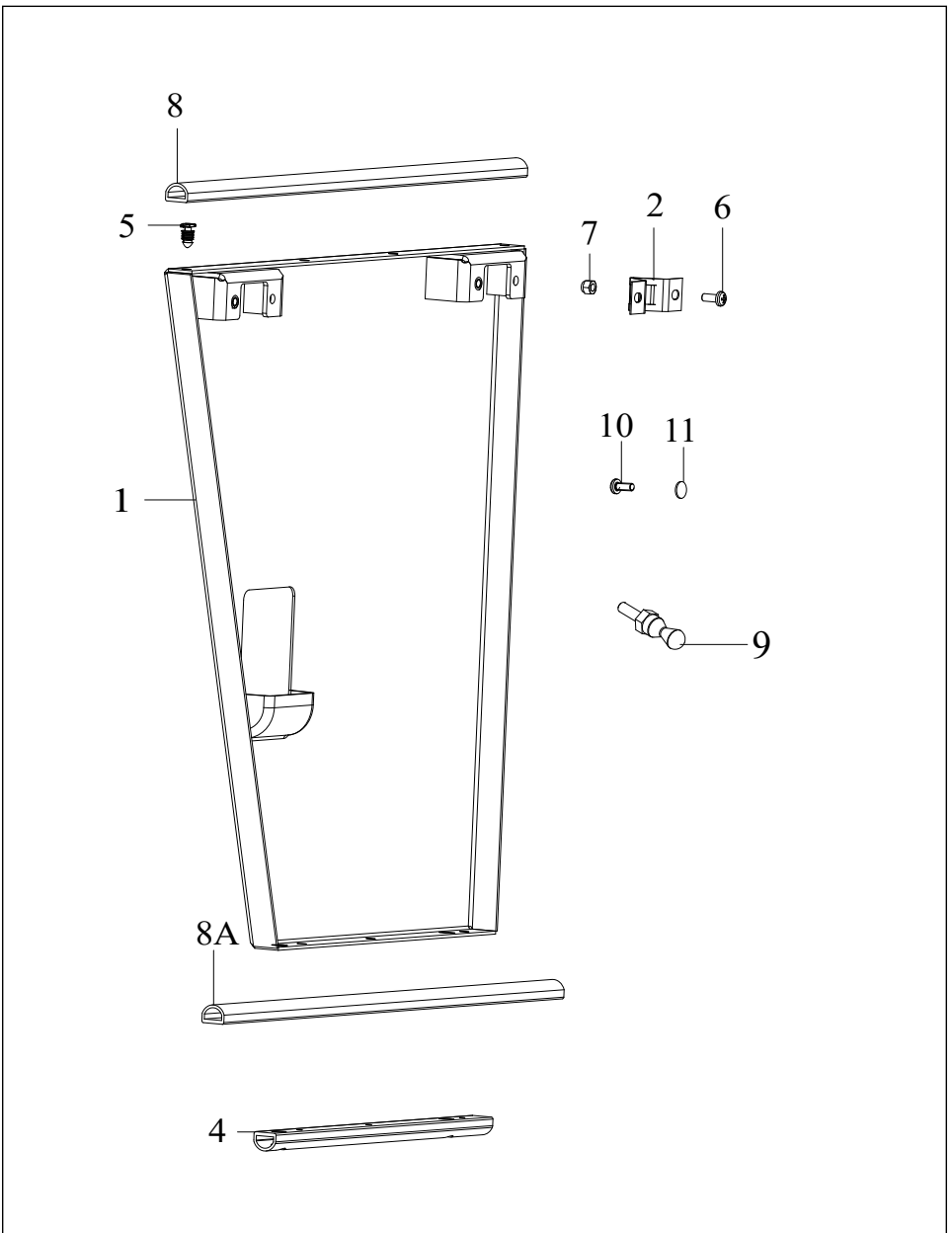




**TABLE-84****FRAME COOLING SYSTEM AND ELECTRICAL FRONT ASSEMBLY**

<b>Fig. No.</b>	<b>Part No.</b>	<b>Description</b>	<b>Qty</b>
1	D10444250.9	FRAME ASSEMBLY RADIATOR	1
2	D81500590.9	BOLT M8X1.25X25-6.6 HEX HEAD	6
3	D10286080.9	BRACKET AIR CLEANER HOLDING REAR	1
4	D83500060.9	NUT M8X1.25-6 HEX	4
5	D86500030.9	WASHER M8 SPRING LOCK	4
6	D10292480.9	STRAP ENGINE AIR CLEANER	1
8-1	D10884440AD.9	LATCH ASSEMBLY HOOD	1
8A	D10897450AB.9	CABLE ASSEMBLY LATCH HOOD HANDLE	1
9	D81500340.9	BOLT M6X1.00X35-8.0 HEX HEAD	4
10	D10286540.9	HANDLE ASSEMBLY PANEL HOOD TOP FRONT	1
11	D10292630.9	FOAM SEALING RADIATOR SIDE	1
12	D10293310.9	CLIP CABLE LATCH	1
13	D10017000.9	NUT M4X0.70 NYLOCK	3
14-1	D85500130.9	WASHER M8 FLAT	2

**TABLE-85**  
**GUARD ASSEMBLY RADIATOR RH**

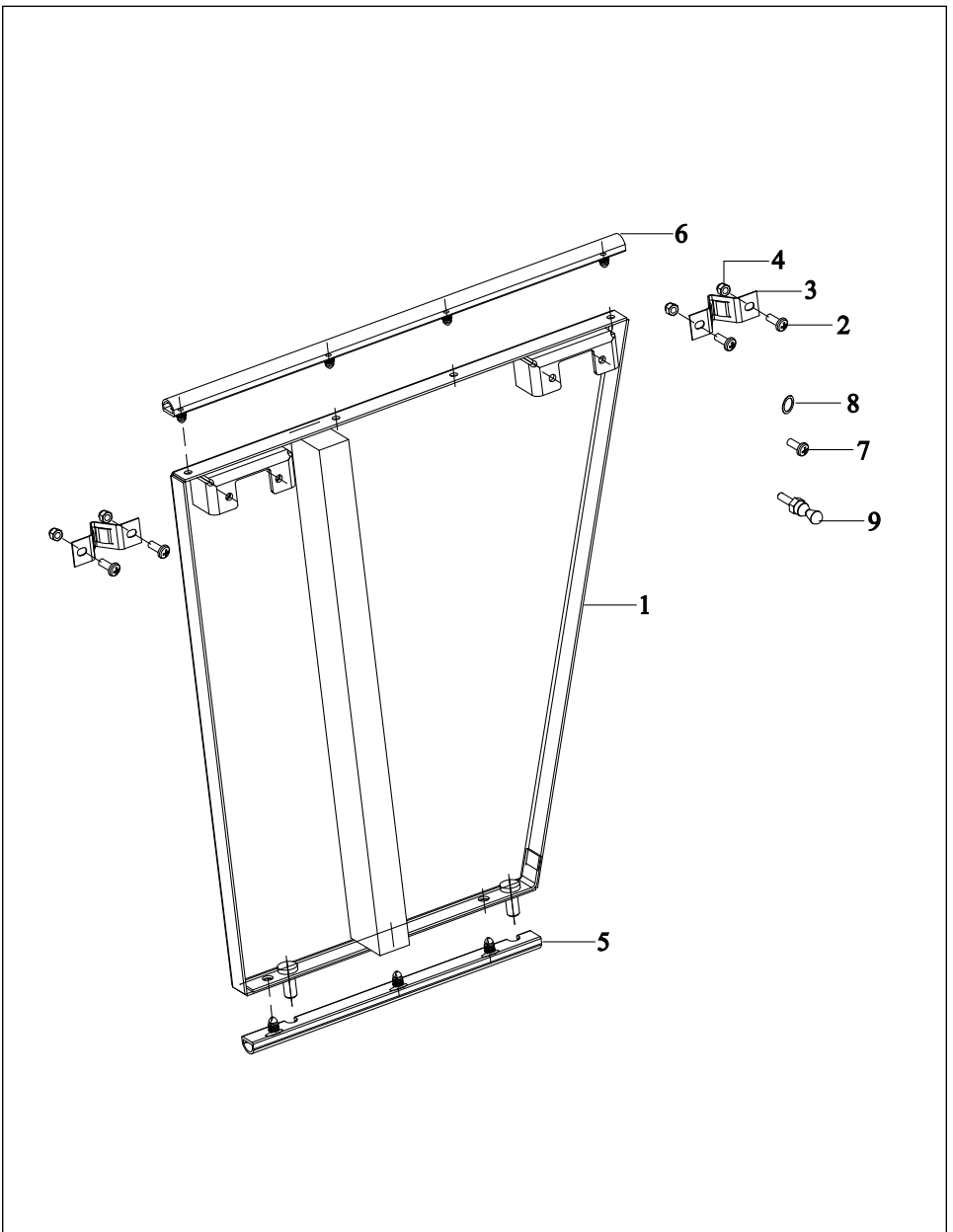


**TABLE-85****GUARD ASSEMBLY RADIATOR RH**

<b>Fig. No.</b>	<b>Part No.</b>	<b>Description</b>	<b>Qty</b>
1	D10341710.9	GUARD ASSEMBLY SIDE RH	1
2-1	D10311740AD.9	STRIP LOCK SIDE GUARD	1
4	D10319000.9	SEALING ASSEMBLY SIDE GUARD LOWER RH (FT6050)	1
5	D10286140.9	PIN LOCK SIDE PANEL	2
6	D10016990.9	SCREW M4X0.70X10	2
7	D10017000.9	NUT M4X0.70 NYLOCK	2
8	D10342430.9	SEALING ASSEMBLY SIDE GUARD UPPER	1
8A	D10308680.9	SEALING ASSEMBLY SIDE GUARD LOWER	1
9	D10306490.9	PIN LOCK SIDE GUARD	1
10	D82500030.9	SCREW M5X0.80X10-6.6 HEX HEAD	5
11	D85500090.9	WASHER M5 FLAT	5

**TABLE-86**

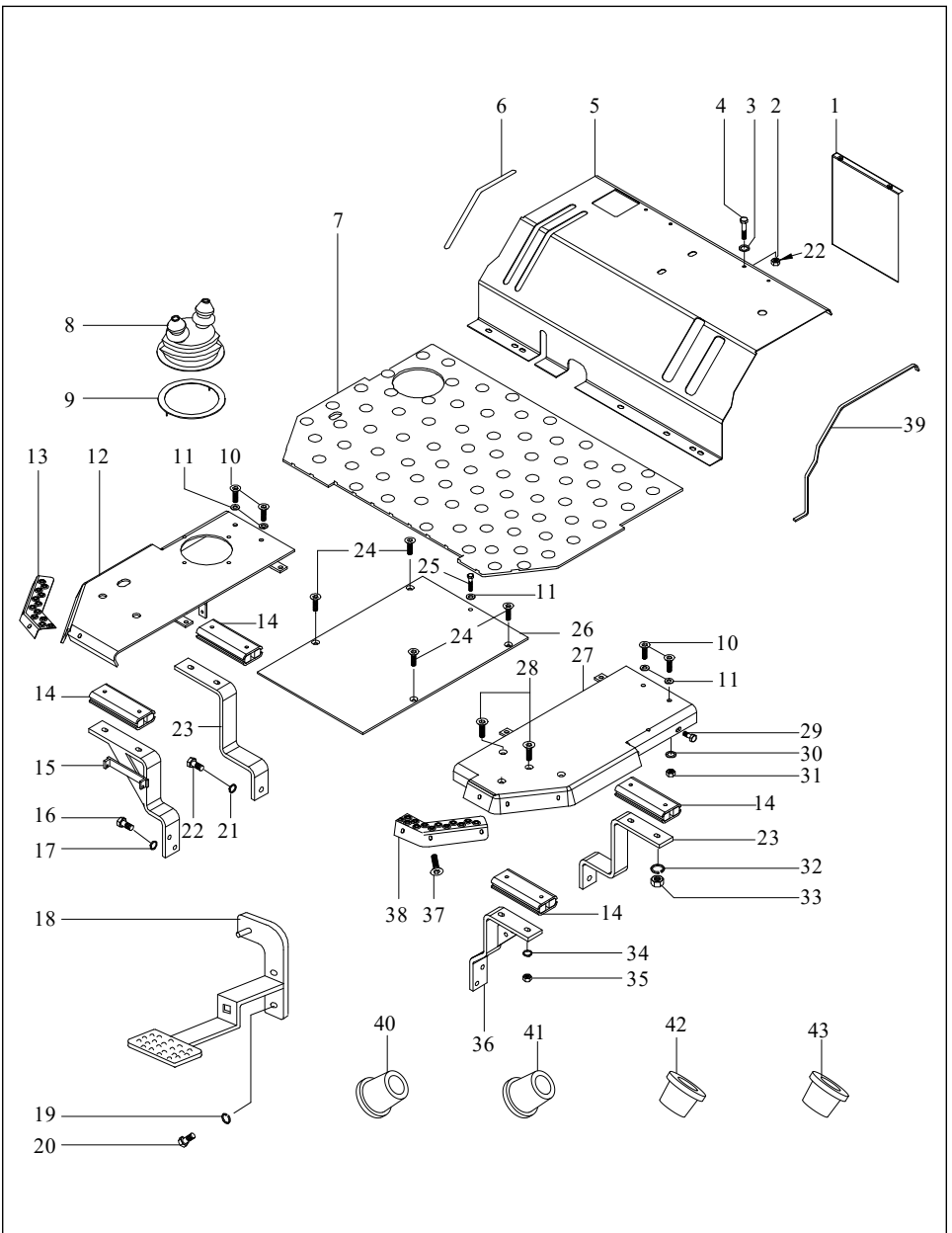
**GUARD ASSEMBLY RADIATOR LH**



**TABLE-86****GUARD ASSEMBLY RADIATOR LH**

<b>Fig. No.</b>	<b>Part No.</b>	<b>Description</b>	<b>Qty</b>
1	D10342140.9	GUARD ASSEMBLY SIDE LH	1
2	D10016990.9	SCREW M4X0.70X10	2
4	D10017000.9	NUT M4X0.70 NYLOCK	2
5	D10319020.9	SEALING ASSEMBLY SIDE GUARD LOWER LH (FT6050)	1
6	D10342430.9	SEALING ASSEMBLY SIDE GUARD UPPER	1
7	D82500030.9	SCREW M5X0.80X10-6.6 HEX HEAD	5
8	D85500090.9	WASHER M5 FLAT	5
9	D10306490.9	PIN LOCK SIDE GUARD	2

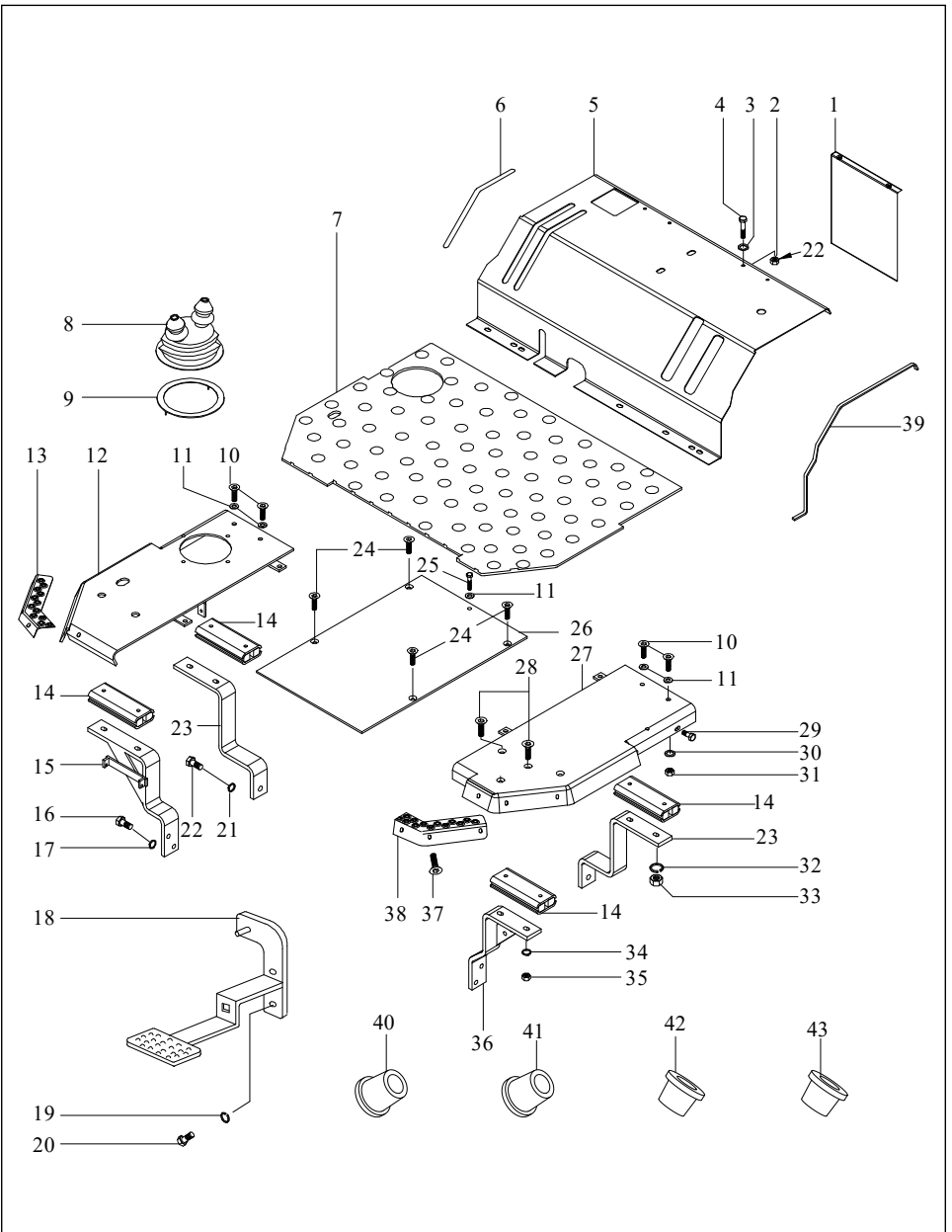
**TABLE-87**  
**RUNNING BOARD**



**TABLE-87**  
**RUNNING BOARD**

Fig. No.	Part No.	Description	Qty
1	D10042850.9	COVER ASSEMBLY REAR CONSOLE LH	1
2	D81000400.9	NUT 1/4"-28 HEX	2
3	D85000030.9	WASHER 1/4" FLAT	2
4	D81000390.9	BOLT 1/4"-28X0.62" HEX HEAD	2
5	D10128950.9	CONSOLE REAR	1
6	D10042380.9	BEADING CONSOLE SIDE	1
7-1	D10042200AD.9	FOOT MAT PLATFORM	1
8	D10128980.9	BOOT TRANSMISSION LEVER COVER	1
9	D10131240.9	RING TRANSMISSION LEVER BOOT	1
10	D81500330.9	BOLT M8X1.25X40-8.8 HEX HEAD	4
11	D85500050.9	WASHER M8 FLAT	5
12	D10191140.9	BOARD ASSEMBLY RUNNING RH	1
13	D10043210.9	STRIP RUNNING BOARD RH	1
14	D10042270.9	PAD ISOLATOR	4
15	D10039860.9	BRACKET RUNNING BOARD MOUNTING FRONT RH	1
16	D81500540.9	BOLT M12X1.75X40-9.8 HEX HEAD	4
17	D86000010.9	WASHER 3/8" SPRING LOCK	4
18	D10138170.9	STEP PLATFORM (FT70)	1
19	D85500060.9	WASHER M12 FLAT	2
20	D81500040.9	BOLT M12X1.75X35-8.8 HEX HEAD	2
21	D86000060.9	WASHER 1/2" SPRING LOCK	2
22	D81500040.9	BOLT M12X1.75X35-8.8 HEX HEAD	2
23	D10039850.9	BRACKET RUNNING BOARD MOUNTING REAR	2
24	D10035370.9	SCREW M8X1.25X20 COUNTERSUNK HEAD	4
25	D81500110.9	BOLT M8X1.25X20-8.8 HEX HEAD	1
26	D10191150.9	PLATE RUNNING BOARD CENTRE	1
27	D10286800.9	BOARD ASSEMBLY RUNNING LH	1
28	D10035370.9	SCREW M8X1.25X20 COUNTERSUNK HEAD	1
29	D81000390.9	BOLT 1/4"-28X0.62" HEX HEAD	6
30	D85500050.9	WASHER M8 FLAT	8
31	D83500230.9	NUT M8X1.25-5 HEX	6
32	D85500050.9	WASHER M8 FLAT	8
33	D83500230.9	NUT M8X1.25-5 HEX	8
34	D85500050.9	WASHER M8 FLAT	4
35	D83000130.9	NUT #10-24 HEX	4
36	D10039870.9	BRACKET RUNNING BOARD MOUNTING FRONT LH	1
37	D10011090.9	BOLT M6X1.00X20-6.6 HEX FLANGED (LUBE OIL PUMP)	6
38	D10043200.9	STRIP RUNNING BOARD LH	1
39	D10042380.9	BEADING CONSOLE SIDE	2
40	D10299360.9	COVER DUST FENDER	2

**TABLE-87**  
**RUNNING BOARD**

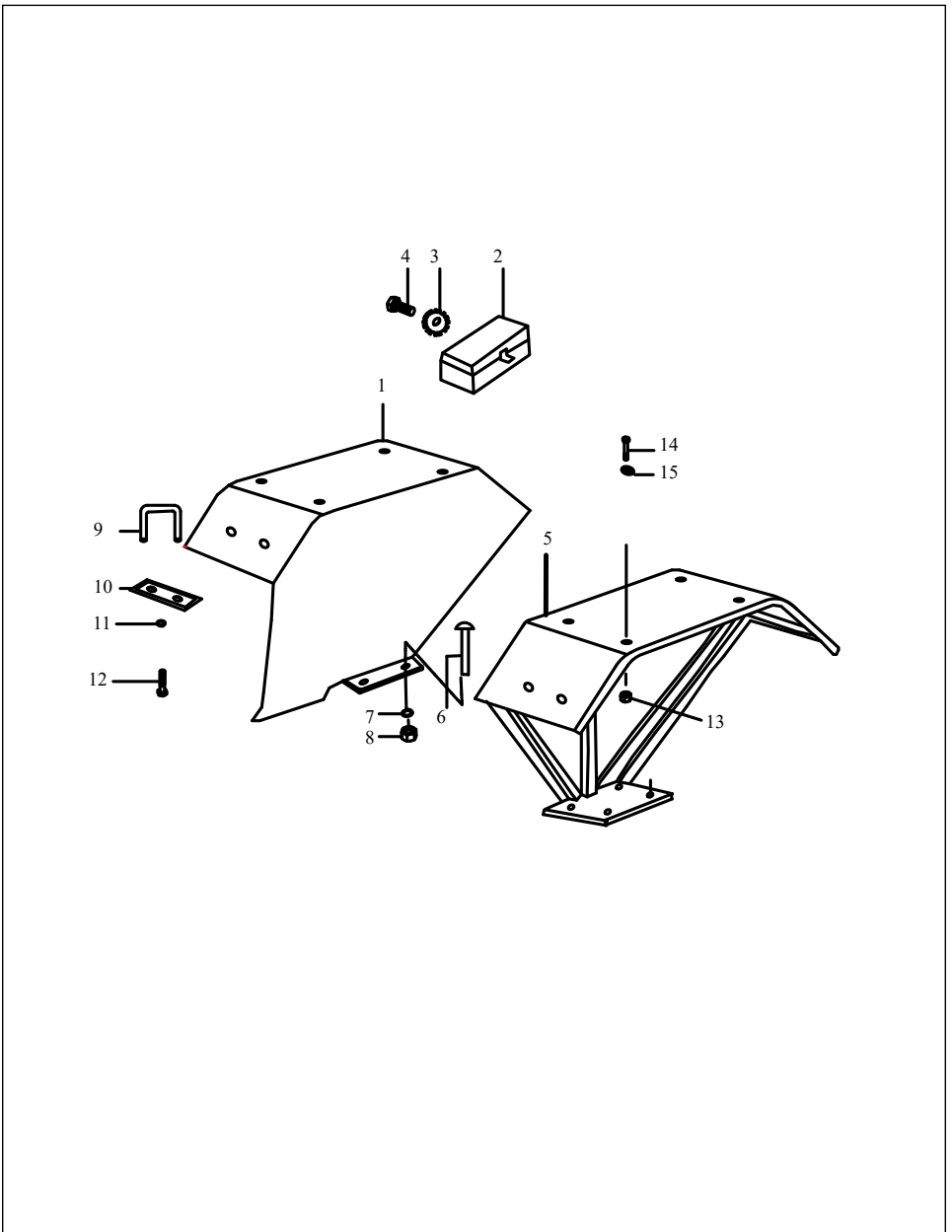




**TABLE-87**  
**RUNNING BOARD**

<b>Fig. No.</b>	<b>Part No.</b>	<b>Description</b>	<b>Qty</b>
41	D10299370.9	COVER DUST FENDER	2
42	D10299380.9	COVER DUST CHASSIS	1
43	D10299390.9	COVER DUST CHASSIS	1

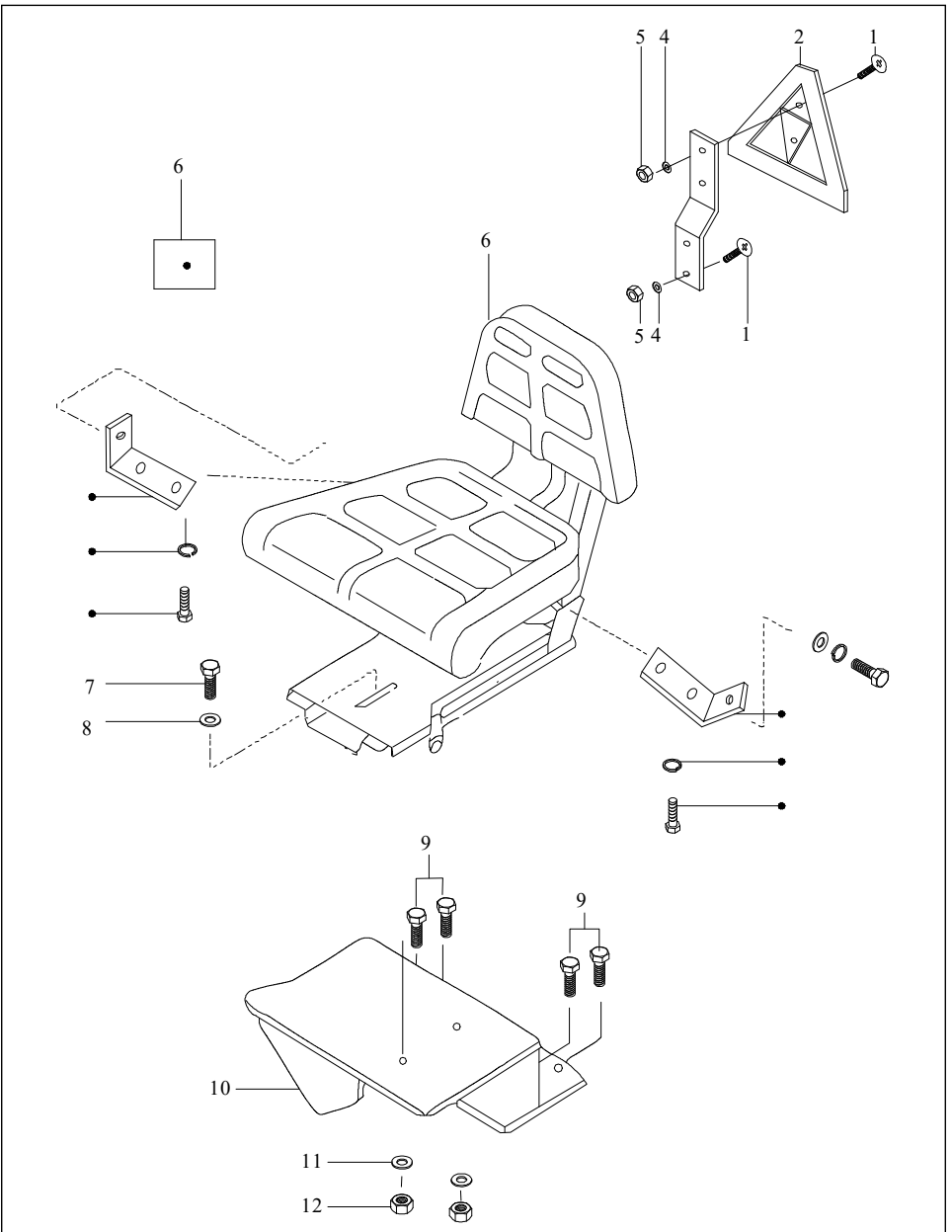
**TABLE-88**  
**FENDER**



**TABLE-88****FENDER**

<b>Fig. No.</b>	<b>Part No.</b>	<b>Description</b>	<b>Qty</b>
1	D10778390.9	FENDER ASSEMBLY REAR RH (ESCORTS GREY)	1
2	D10016970.9	BOX ASSEMBLY TOOL	1
3	D86000110.9	WASHER 5/16" LOCK EXTERNAL TOOTH	3
4	D81000390.9	BOLT 1/4"-28X0.62" HEX HEAD	9
5	D10778380.9	FENDER ASSEMBLY REAR LH (ESCORTS GREY)	1
6	D81001620.9	BOLT 5/8"-18X9.45" HEX HEAD	8
7	D86000120.9	WASHER 5/8" SPRING LOCK	8
8	D83000160.9	NUT 5/8"-18 HEX	8
9	D10281470.9	HOLD DOWN	2
10	D10017900.9	PLATE HOLD DOWN	2
11	D86000040.9	WASHER 5/16" SPRING LOCK	2
12	D81000330.9	BOLT 5/16"-18X1.00" HEX HEAD	2
13	D10034130.9	NUT M10X1.50 NYLOCK	8
14	D81500440.9	BOLT M10X1.50X55-8.8 HEX HEAD ZINC PLATED	8
15	D85500140.9	WASHER M10 FLAT	8

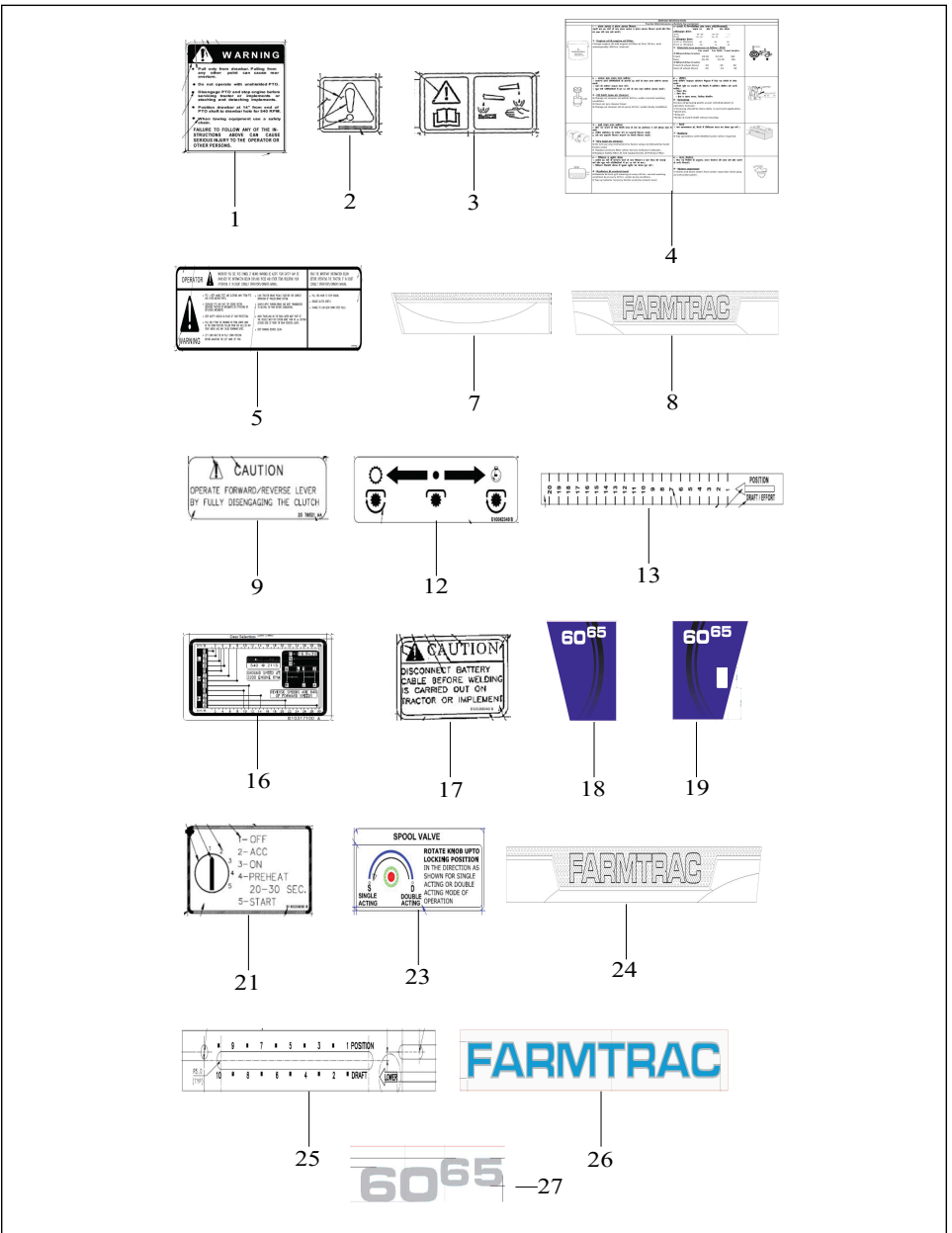
**TABLE-89**  
**DRIVER SEAT**



**TABLE-89**  
**DRIVER SEAT**

Fig. No.	Part No.	Description	Qty
1	D10043580.9	SCREW 1/4"-28X0.75" PAN HEAD	7
2	D10163980.9	EMBLEM SLOW MOVING VEHICLE	1
4	D85000030.9	WASHER 1/4" FLAT	4
5	D10017580.9	NUT 1/4"-28UNF-2B NYLOCK	4
6	D10407090.9	SEAT ASSEMBLY DRIVER	1
7	D81000090.9	BOLT 7/16"-14X1.25" HEX HEAD	2
8	D85000090.9	WASHER 7/16" FLAT	2
9	D81500580.9	BOLT M14X2.00X25-10.9 HEX HEAD LOCK	4
10	D10151640.9	SUPPORT ASSEMBLY DRIVER SEAT MOUNTING	1
11	D85000040.9	WASHER 5/16" FLAT	2
12	D83000040.9	NUT 7/16"-14HEX	2

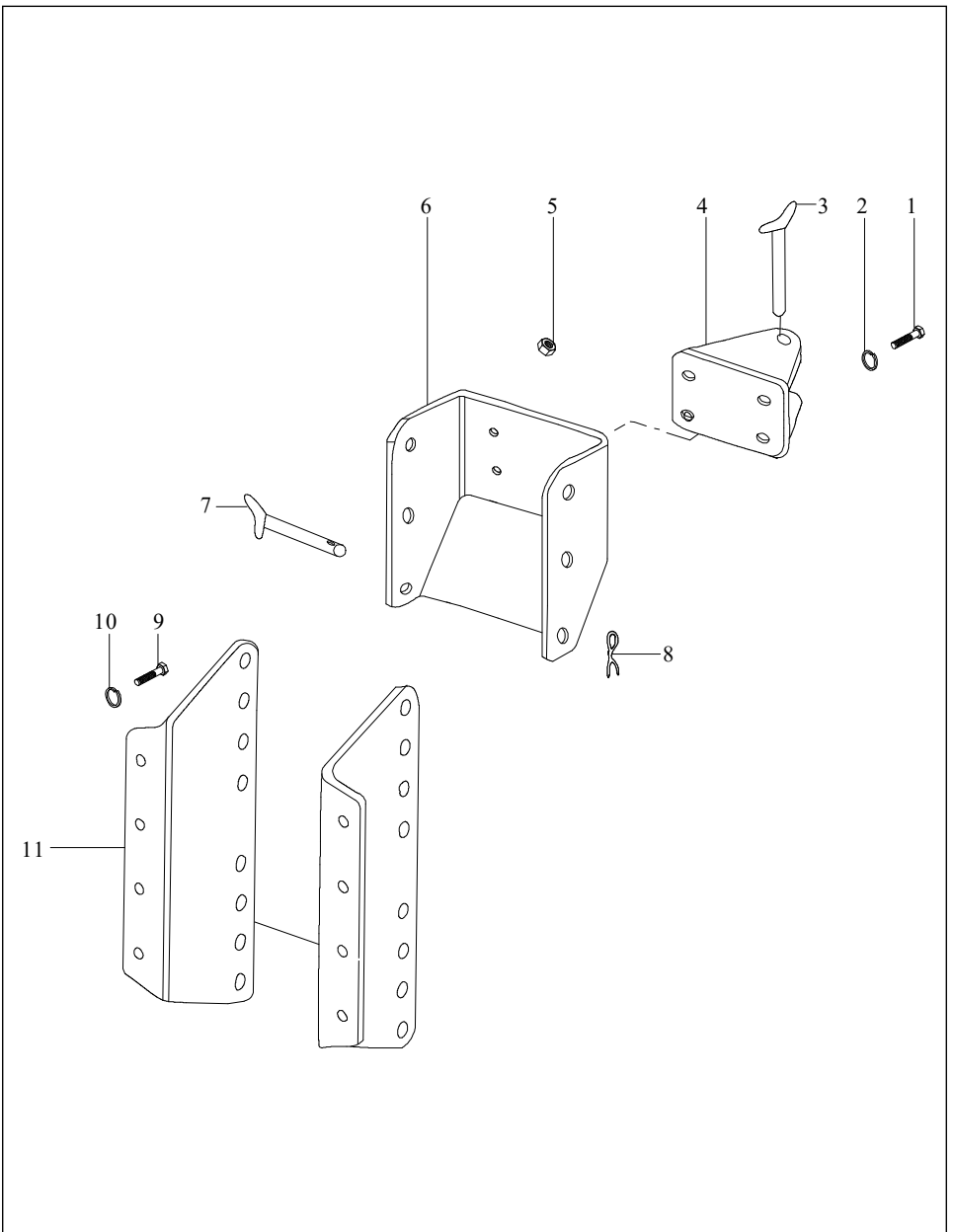
TABLE-90  
DECAL



**TABLE-90**  
**DECAL**

<b>Fig. No.</b>	<b>Part No.</b>	<b>Description</b>	<b>Qty</b>
1	D10017890.9	DECAL OPERATING INSTRUCTION	1
2	D10018580.9	DECAL VEHICLE WARNING	1
3	D10018620.9	DECAL BATTERY WARNING	1
4	D10019110.9	DECAL TRACTOR MAINTENANCE SERVICE	1
5	D10019210.9	DECAL TRACTOR SAFETY INSTRUCTIONS	1
6	D10217270.9	DECAL REAR HOOD LH	1
7	D10217280.9	DECAL REAR HOOD RH	1
8	D10315950.9	DECAL MODEL IDENTIFICATION CENTRE LH	1
9	D10042310.9	DECAL FORWARD REVERSE WARNING	1
10	D10042320.9	DECAL HYDRAULIC FLOW CONTROL	1
11	D10042330.9	DECAL DIFFERENTIAL LOCK	1
12	D10042340.9	DECAL PTO	1
13	D10042350.9	DECAL HYDRAULIC PUMP AND LIFT QUADRANT	1
14	D10042360.9	DECAL CLUTCH PTO	1
15	D10042370.9	DECAL PARKING BRAKE	1
16	D10317100.9	DECAL TRANSMISSION SHIFT PATTERN (16.9X30 REAR TYRE)	1
17	D10108040.9	DECAL CAUTION ALTERNATOR	1
18	D10664680.9	DECAL 6065 SIDE GUARD LH	1
19	D10664690.9	DECAL 6065 SIDE GUARD RH	1
20	D10171660.9	DECAL POWER STEERING	1
21	D10026850.9	DECAL THERMO START	1
22	D10043940.9	DECAL PTO GUARD	1
23	D10214690.9	DECAL SPOOL VALVE	1
24	D10315960.9	DECAL MODEL IDENTIFICATION CENTRE RH	1
25	D10247280.9	PLATE QUADRANT HYDRAULIC DEPTH AND DRAFT SELECTION	1
26	D10303010.9	BADGE FRONT FARMTRAC (BLUE)	1
27	D10664700.9	BADGE FRONT (FT 6065)	1

**TABLE-91**  
**TOW HOOK**

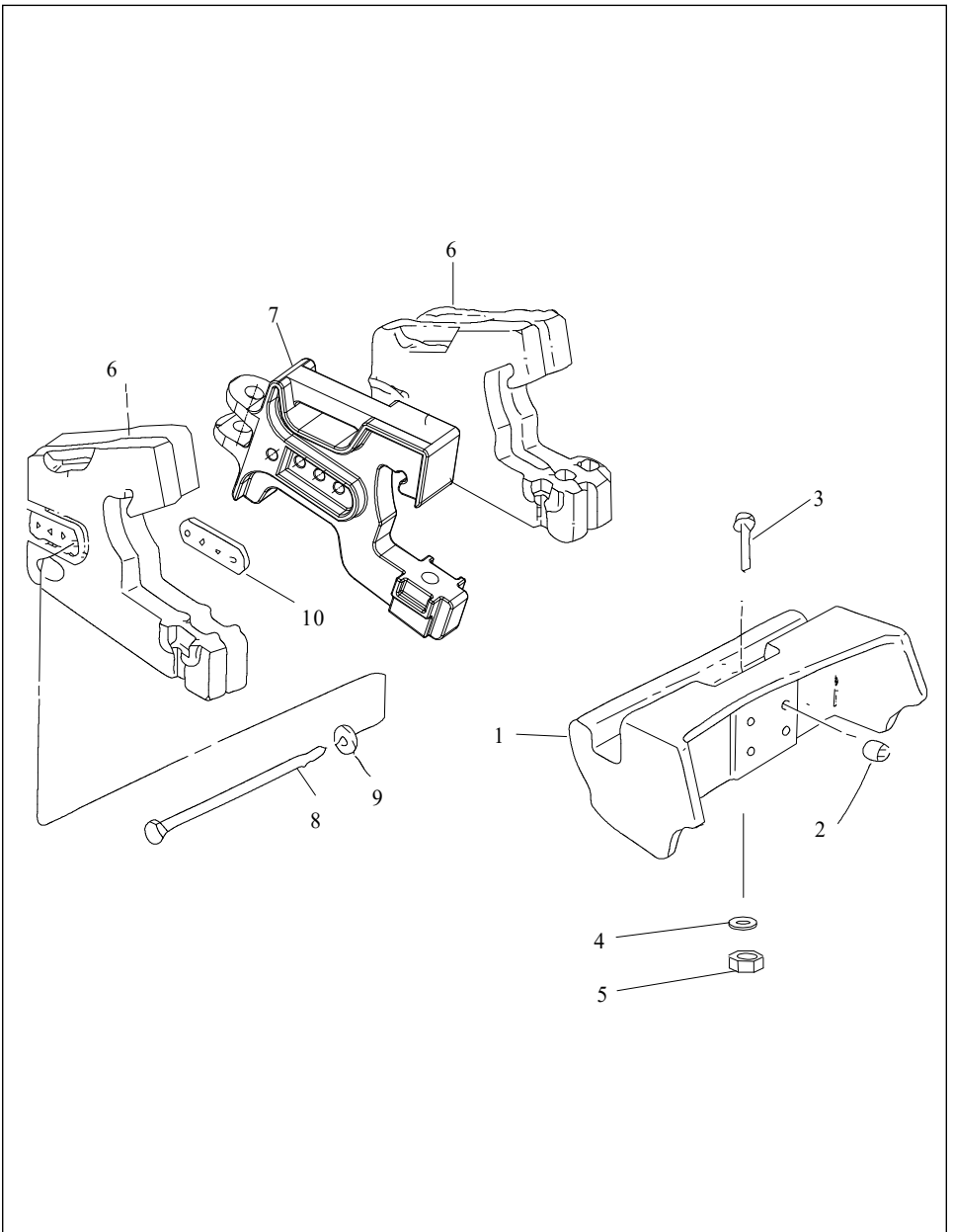




**TABLE-91**  
**TOW HOOK**

<b>Fig. No.</b>	<b>Part No.</b>	<b>Description</b>	<b>Qty</b>
1	D81000900.9	BOLT 9/16"-12X1.75" HEX HEAD	4
2	D86000160.9	WASHER 9/16" SPRING LOCK	4
3	D10042750.9	PIN FRONT TOW HOOK	1
4-1	D11087730AB.9	TOW HOOK ASSEMBLY REAR	1
5	D83000110.9	NUT 9/16"-12 HEX	4
6	D10039370.9	ATTACHMENT PLATE TOW HOOK	1
7	D10042740.9	PIN FRONT TOW HOOK	2
8	D10027320.9	PIN R12X104 RETAINER SPRING	2
9	D10042760.9	BOLT M16X2.00X35-8.8 HEX HEAD	8
10	D86500060.9	WASHER M16 SPRING LOCK	8
11	D10039390.9	BRACKET TOW HOOK MOUNTING	2
12	D10081260.9	PIN AND RING ASSEMBLY	2

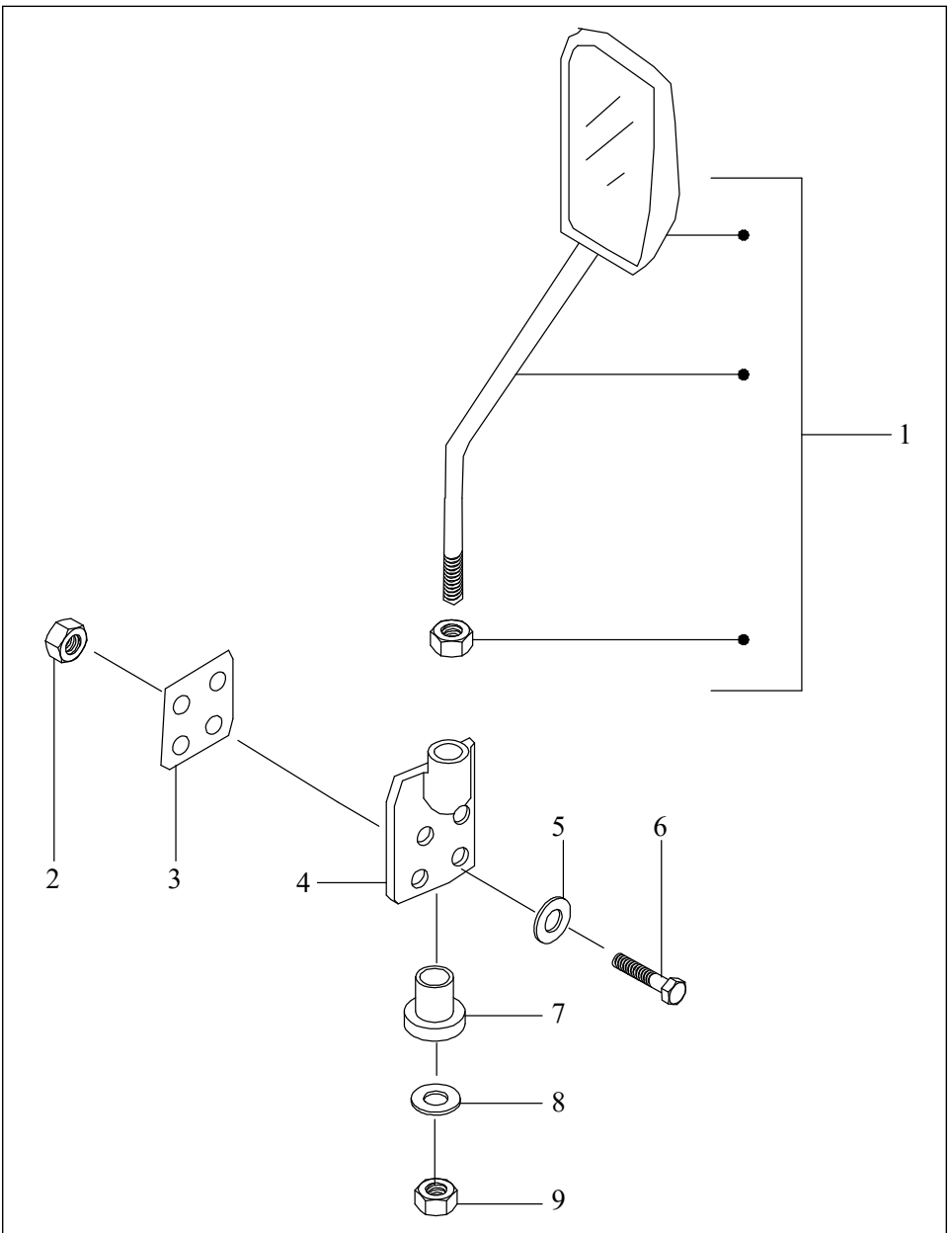
**TABLE-92**  
**FRONT WHEEL WEIGHT**



**TABLE-92****FRONT WHEEL WEIGHT**

<b>Fig. No.</b>	<b>Part No.</b>	<b>Description</b>	<b>Qty</b>
1	D10193120.9	CARRIER FRONT END WEIGHT	1
2	D10042830.9	SPACER BATTERY TRAY	4
3	D81501570.9	BOLT M20X2.5X170 HEX HEAD	4
4	D86500080.9	WASHER M20 SPRING LOCK	1
5	D83500670.9	NUT M20X2.50 HEX NYLOCK	1
6	D10324240.9	WEIGHT FRONT END	4
7	D10193130.9	WEIGHT TOWING HOOK FRONT	1
8	D10042810.9	BOLT FRONT END WEIGHT	4
9	D85500020.9	WASHER M16 FLAT	4
10	D10042800.9	PLATE FRONT END WEIGHT	2

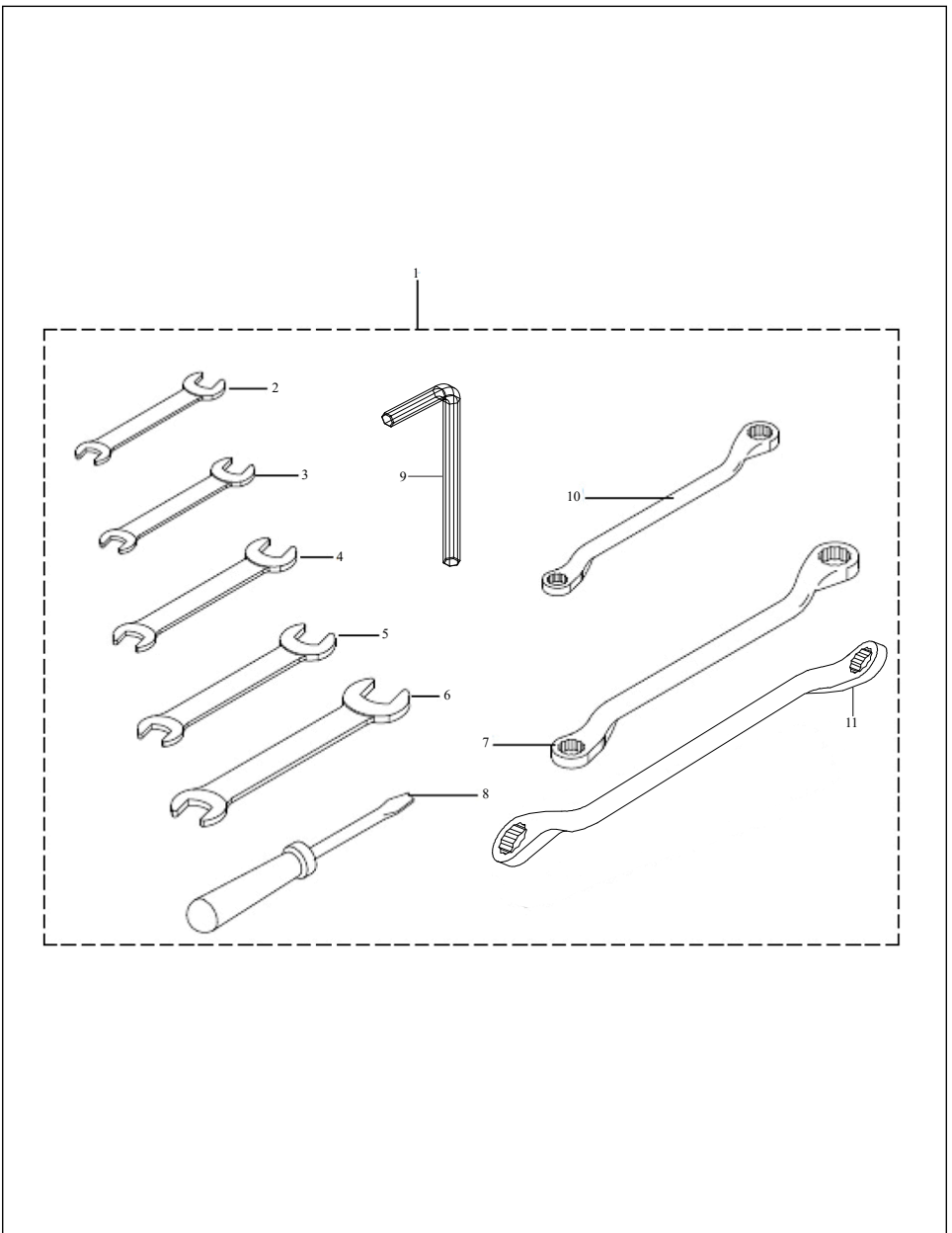
**TABLE-93**  
**REAR VIEW MIRROR**



**TABLE-93****REAR VIEW MIRROR**

<b>Fig. No.</b>	<b>Part No.</b>	<b>Description</b>	<b>Qty</b>
1	D10151990.9	MIRROR AND ROD ASSEMBLY REAR VIEW	1
2-1	D10018100.9	NUT M5X0.80 NYLOCK	4
3	D10016660.9	PLATE REAR VIEW MIRROR	1
4	D10016690.9	BRACKET ASSEMBLY REAR VIEW MIRROR	1
5	D85500040.9	WASHER M6 FLAT	4
6-1	D10216680.9	SCREW M5X0.80X20 CROSS RECESSED PAN HEAD	4
7	D10016680.9	BUSH REAR VIEW MIRROR	1
8	D85500040.9	WASHER M6 FLAT	1
9	D10016890.9	NUT 3/8"-24 HEX	1

**TABLE-94**  
**TOOLS**

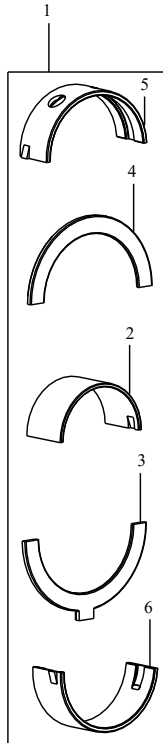


**TABLE-94****TOOLS**

<b>Fig. No.</b>	<b>Part No.</b>	<b>Description</b>	<b>Qty</b>
1	D10371280.9	TOOL KIT	1
2	D10018280.9	SPANNER D/E 3/8"X5/16"	1
3	D10018290.9	SPANNER D/E 1/2"X7/16"	1
4	D10018300.9	SPANNER D/E 5/8"X9/16"	1
5	D10018310.9	SPANNER D/E 3/4"X11/16"	1
8	D10018320.9	SCREW DRIVER	1
9	D10043240.9	KEY HEXAGONAL SOCKET SCREW SIZE-5	1
10	D10043250.9	WRENCH OPEN END (11X10)	1
11	D10181730.9	WRENCH RING 24X27MM	1

**TABLE-95**

**KIT ENGINE MAIN AND CONNECTING ROD BEARING SET SIZE STANDARD**



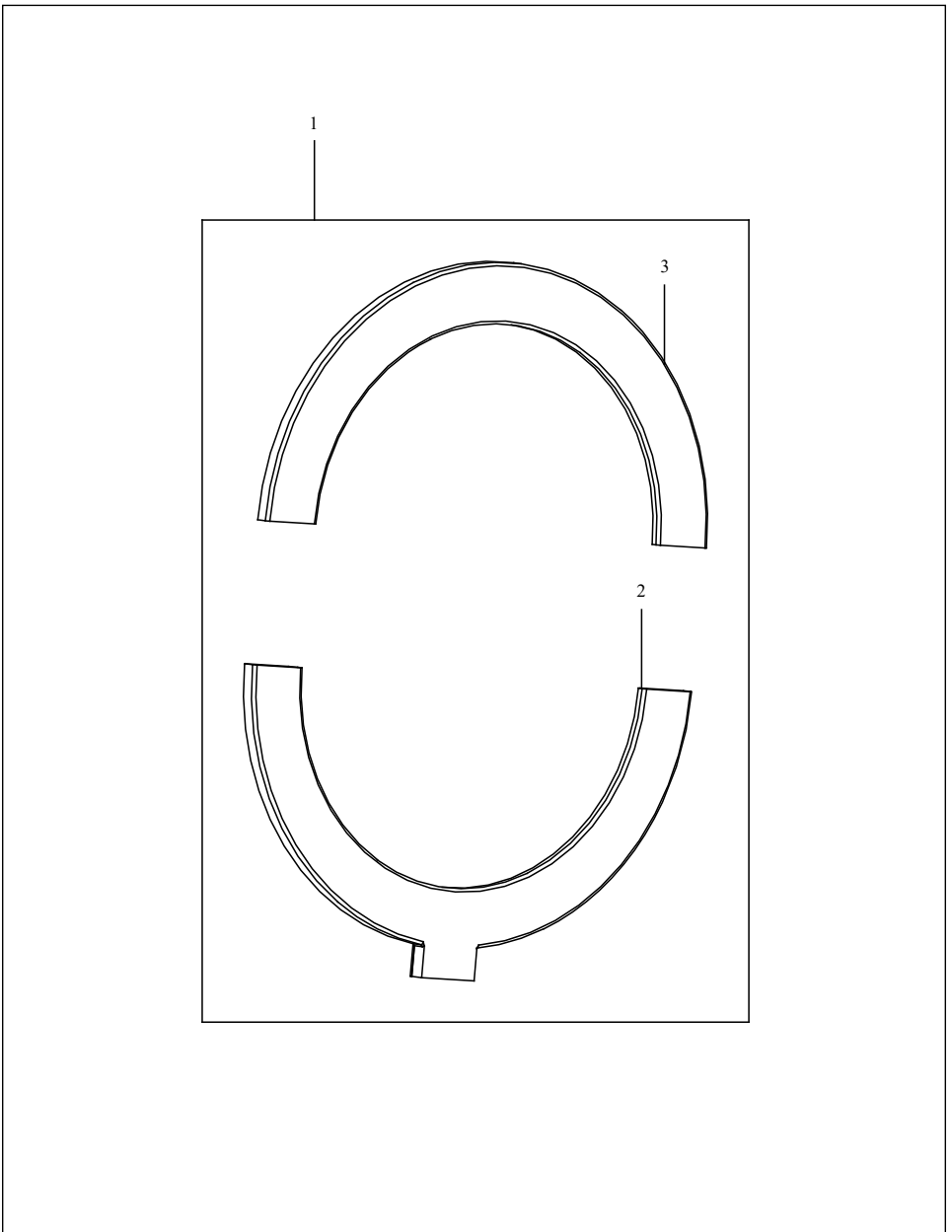


**TABLE-95**  
**KIT ENGINE MAIN AND CONNECTING ROD BEARING SET SIZE STANDARD**

Fig. No.	Part No.	Description	Qty
1	D10336210.9	KIT ENGINE MAIN AND CONNECTING ROD BEARING SET SIZE STANDARD (PT439 DS PLUS)	1
2	D10009670.9	BEARING CONNECTING ROD	6
3	D10124210.9	RING CRANKSHAFT THRUST LOWER E4.286 TCI	2
4	D10124220.9	RING CRANKSHAFT THRUST UPPER E4.286 TCI	2
5	D10248740.9	BEARING CRANKSHAFT MAIN UPPER	4
6	D10248750.9	BEARING CRANKSHAFT MAIN LOWER	4
7	D10336220.9	KIT ENGINE MAIN AND CONNECTING ROD BEARING SET SIZE 010 UNDER (PT439 DS PLUS)	1
8	D10336230.9	KIT ENGINE MAIN AND CONNECTING ROD BEARING SET SIZE 020 UNDER (PT439 DS PLUS)	1
9	D10336240.9	KIT ENGINE MAIN AND CONNECTING ROD BEARING SET SIZE 030 UNDER (PT439 DS PLUS)	1
10	D10336220.9	KIT ENGINE MAIN AND CONNECTING ROD BEARING SET SIZE 010 UNDER (PT439 DS PLUS)	1
11	D10336230.9	KIT ENGINE MAIN AND CONNECTING ROD BEARING SET SIZE 020 UNDER (PT439 DS PLUS)	1
12	D10336240.9	KIT ENGINE MAIN AND CONNECTING ROD BEARING SET SIZE 030 UNDER (PT439 DS PLUS)	1

**TABLE-96**

**KIT CRANKSHAFT THRUST RING UPPER AND LOWER SIZE STANDARD**

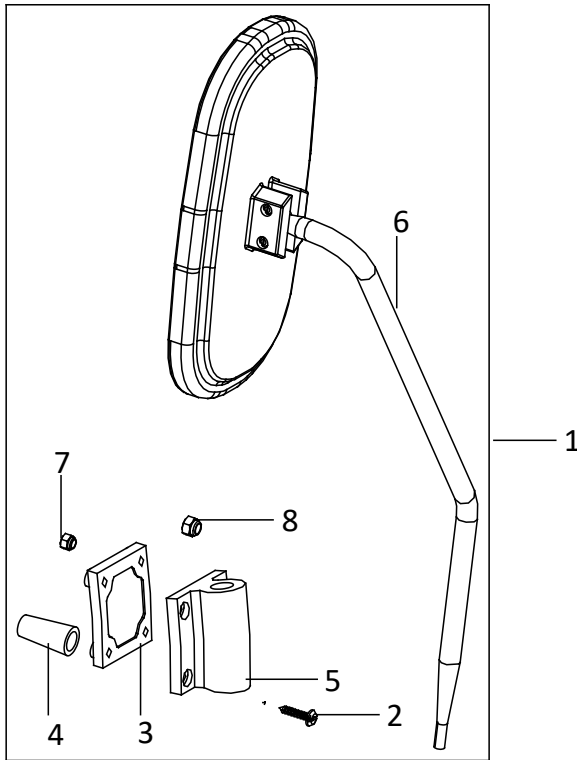


**TABLE-96****KIT CRANKSHAFT THRUST RING UPPER AND LOWER SIZE STANDARD**

<b>Fig. No.</b>	<b>Part No.</b>	<b>Description</b>	<b>Qty</b>
1	D10344500.9	KIT CRANKSHAFT THRUST RING UPPER AND LOWER SIZE STANDARD (DIA 84MM)	1
2	D10124210.9	RING CRANKSHAFT THRUST LOWER E4.286 TCI	2
3	D10124220.9	RING CRANKSHAFT THRUST UPPER E4.286 TCI	2

**TABLE-97**

**KIT MIRROR AND BRACKET REAR VIEW**

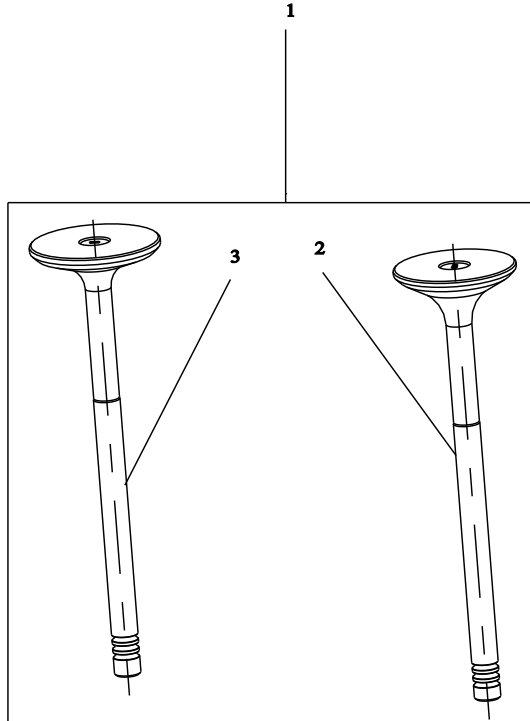


**TABLE-97**  
**KIT MIRROR AND BRACKET REAR VIEW**

Fig. No.	Part No.	Description	Qty
1	D10207230.9	KIT MIRROR AND BRACKET REAR VIEW (PT/FT ALL)	1
2	D10216680.9	SCREW M5X0.80X20 CROSS RECESSED PAN HEAD	4
3	D10016660.9	PLATE REAR VIEW MIRROR	1
4	D10016680.9	BUSH REAR VIEW MIRROR	1
5	D10016690.9	BRACKET ASSEMBLY REAR VIEW MIRROR	1
6	D10151990.9	MIRROR AND ROD ASSEMBLY REAR VIEW	1
7	D10018100.9	NUT M5X0.80 NYLOCK	4
8	D10017930.9	NUT M6X1.00 HEX NYLOCK	1

**TABLE-98**

**KIT ENGINE VALVES INLET AND EXHAUST**

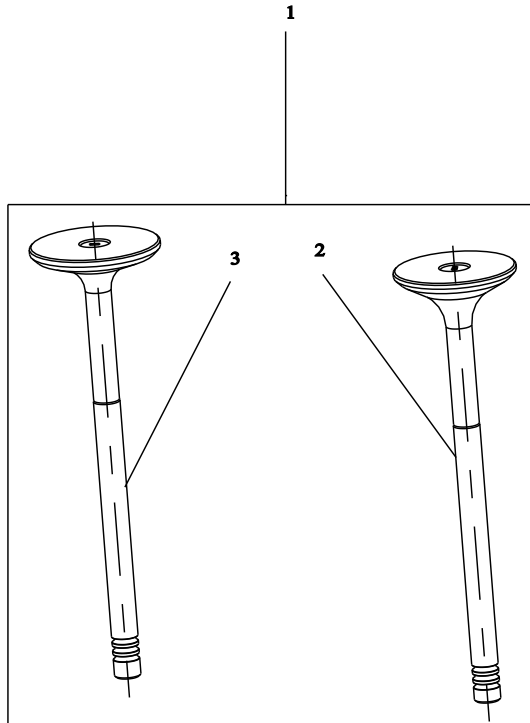


**TABLE-98****KIT ENGINE VALVES INLET AND EXHAUST**

<b>Fig. No.</b>	<b>Part No.</b>	<b>Description</b>	<b>Qty</b>
1	D10074180.9	KIT ENGINE VALVES INLET AND EXHAUST (E-430/435)	1
2	D10008720.9	VALVE EXHAUST 35MM GAUGE	4
3	D10008730.9	VALVE AIR INTAKE 37.9MM GAUGE	4

**TABLE-99**

**KIT ENGINE VALVES INLET AND EXHAUST**



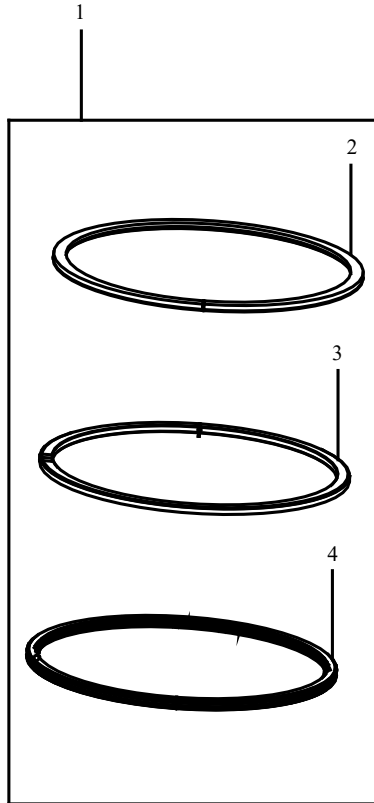


**TABLE-99****KIT ENGINE VALVES INLET AND EXHAUST**

<b>Fig. No.</b>	<b>Part No.</b>	<b>Description</b>	<b>Qty</b>
1	D10203850.9	KIT ENGINE VALVES INLET AND EXHAUST (E4455PT)	1
2	D10008720.9	VALVE EXHAUST 35MM GAUGE	3
3	D10008730.9	VALVE AIR INTAKE 37.9MM GAUGE	3

**TABLE-100**

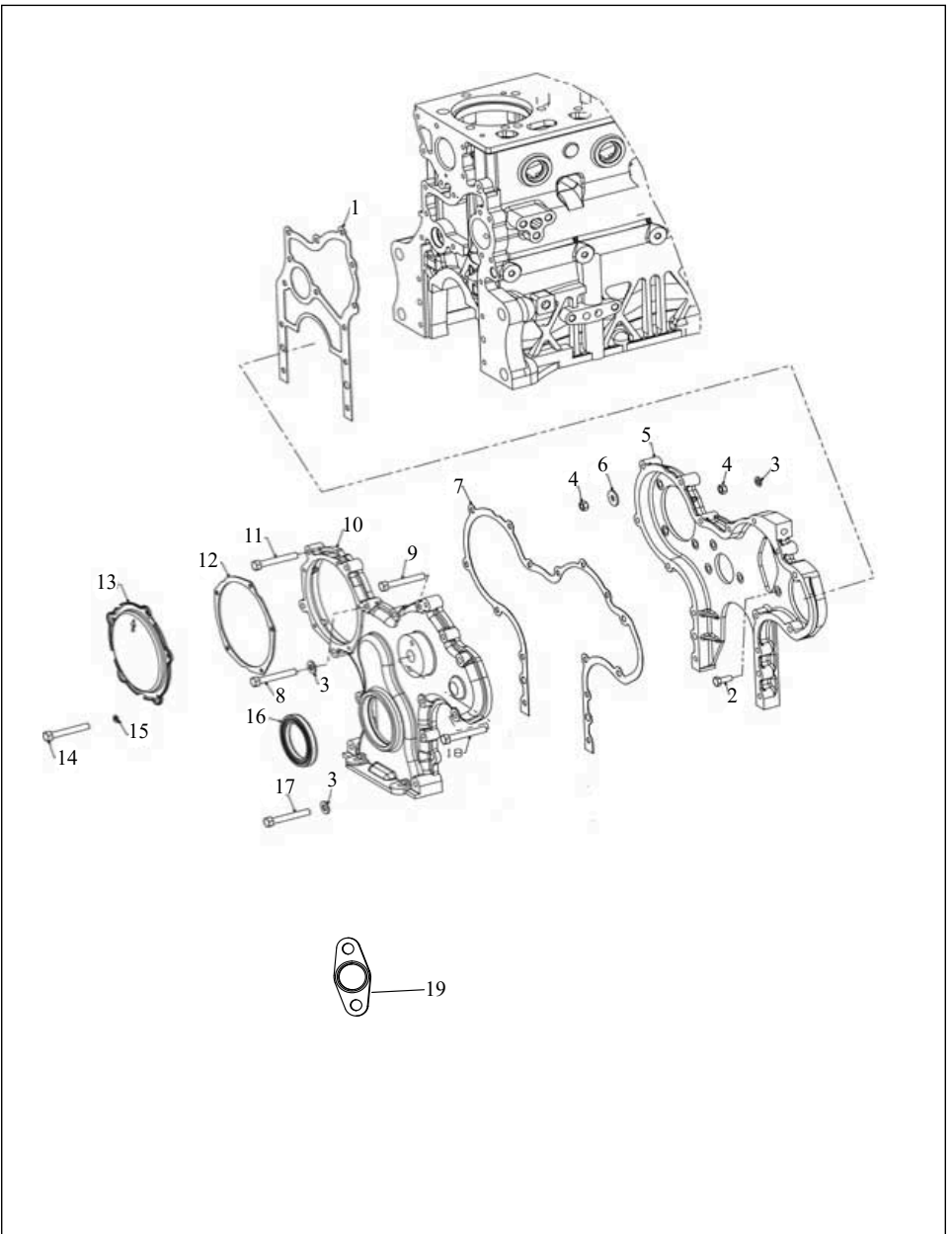
**KIT ENGINE PISTON RING SET**



**TABLE-100****KIT ENGINE PISTON RING SET**

<b>Fig. No.</b>	<b>Part No.</b>	<b>Description</b>	<b>Qty</b>
1	D10203900.9	KIT ENGINE PISTON RING SET (E4455PT)	1
2	D10009730.9	RING ASSEMBLY PISTON OIL CONTROL	4
3	D10009740.9	RING PISTON COMPRESSION LOWER	4
4	D10009750.9	RING PISTON COMPRESSION UPPER	4

**TABLE-101**  
**COVER AND HOUSING VALVE TIMING GEAR**

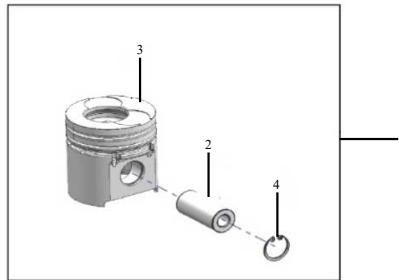


**TABLE-101****COVER AND HOUSING VALVE TIMING GEAR**

<b>Fig. No.</b>	<b>Part No.</b>	<b>Description</b>	<b>Qty</b>
1	D10332600.9	GASKET TIMING GEAR HOUSING	1
2	D81500110.9	BOLT M8X1.25X20-8.8 HEX HEAD	5
3	D86500030.9	WASHER M8 SPRING LOCK	16
4-1	D83500060.9	NUT M8X1.25-6 HEX	8
5	D10009561.9	HOUSING VALVE TIMING GEAR (ALUMINIUM)	1
6	D86500030.9	WASHER M8 SPRING LOCK	4
7	D10331790.9	GASKET TIMING GEAR COVER	1
8	D81500130.9	BOLT M8X1.25X60-8.8 HEX HEAD	6
9	D81500140.9	BOLT M8X1.25X65-8.8 HEX HEAD	5
10	D10323360.9	COVER VALVE TIMING GEAR (ALUMINIUM)	1
11	D81500150.9	BOLT M8X1.25X70-8.8P HEX HEAD	1
12	D10009540.9	GASKET FIP GEAR INSPECTION COVER	1
13	D10090600.9	COVER FIP GEAR INSPECTION	1
14	D82500050.9	SCREW M6X1.00X12-6.8 HEX HEAD	6
15	D86500040.9	WASHER M6 SPRING LOCK	6
16-1	D10377530.9	SEAL OIL CRANKSHAFT FRONT (PTFE TYPE)	1
17	D81500120.9	BOLT M8X1.25X80-8.8 HEX HEAD	2
18	D81500140.9	BOLT M8X1.25X65-8.8 HEX HEAD	3

**TABLE-102**

**KIT ENGINE SET OF PISTON, PIN AND CIRCLIP**

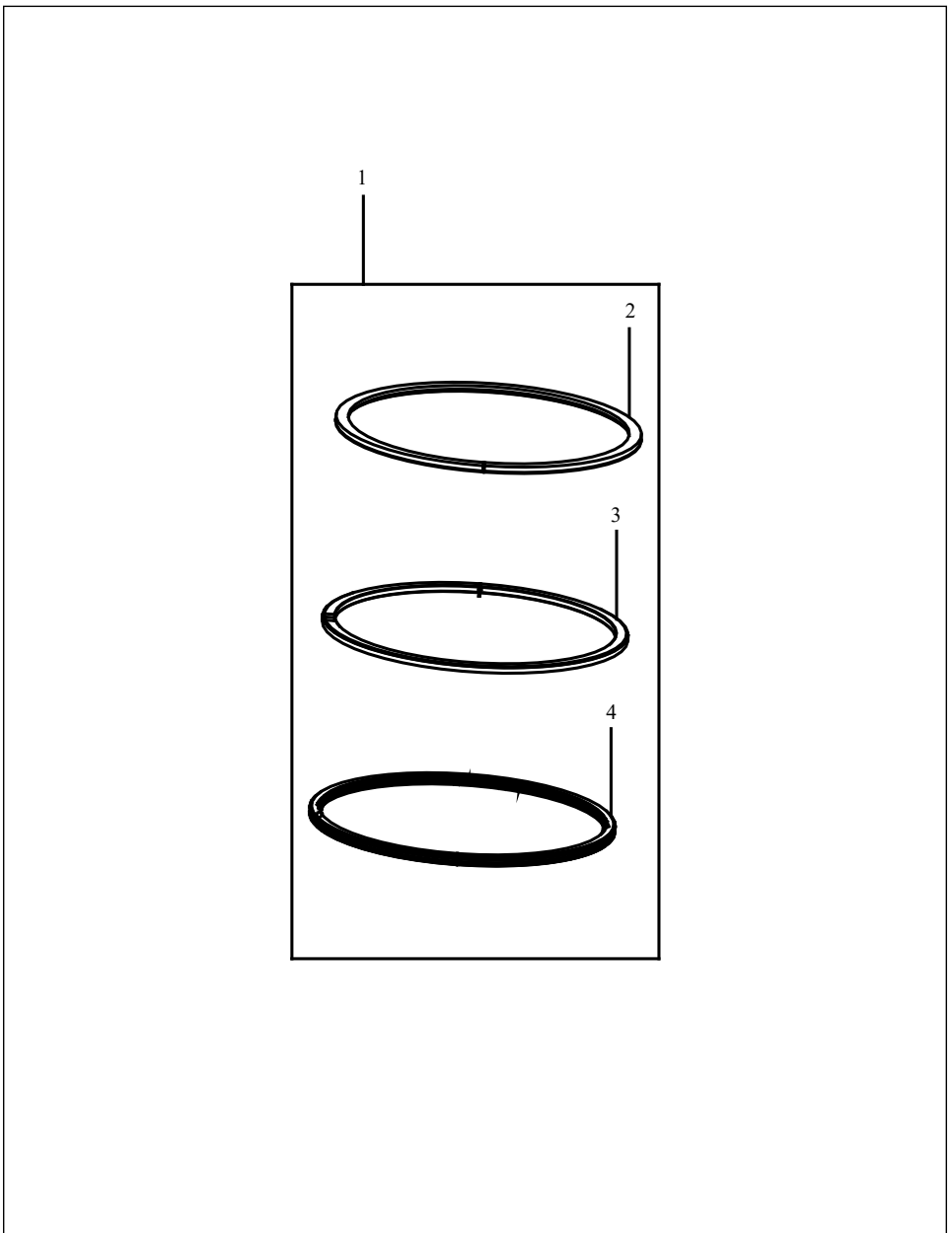


**TABLE-102****KIT ENGINE SET OF PISTON, PIN AND CIRCLIP**

<b>Fig. No.</b>	<b>Part No.</b>	<b>Description</b>	<b>Qty</b>
1	D10417880.9	KIT ENGINE SET OF PISTON PIN AND CIRCLIP ( FT 6065 )	1
2	D10234830.9	PISTON 91MM (E4.286)	4
3	D10009760.9	PIN PISTON E3.215	4
4	D90500050.9	CIRCLIP B28X1.2 N	8

**TABLE-103**

**KIT PISTON, PIN AND CIRCLIP (FT60 AVL)**



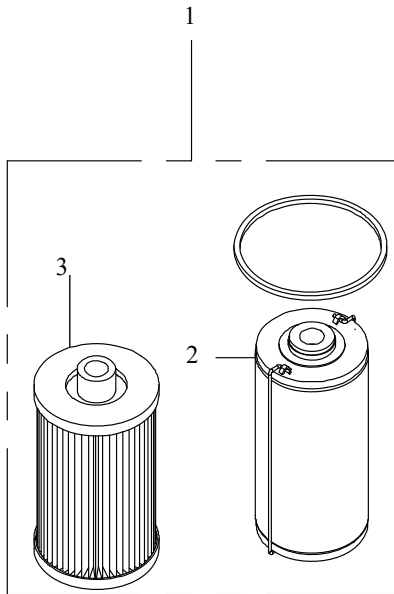


**TABLE-103****KIT PISTON, PIN AND CIRCLIP (FT60 AVL)**

<b>Fig. No.</b>	<b>Part No.</b>	<b>Description</b>	<b>Qty</b>
1	D10417910.9	KIT PISTON RING SET ( FT - 6065 )	1
2	D10009730.9	RING ASSEMBLY PISTON OIL CONTROL	4
3	D10009740.9	RING PISTON COMPRESSION LOWER	4
4	D10009750.9	RING PISTON COMPRESSION UPPER	4

**TABLE-104**

**KIT FUEL FILTER INSERTS PRIMARY AND SECONDARY ( MICO )**



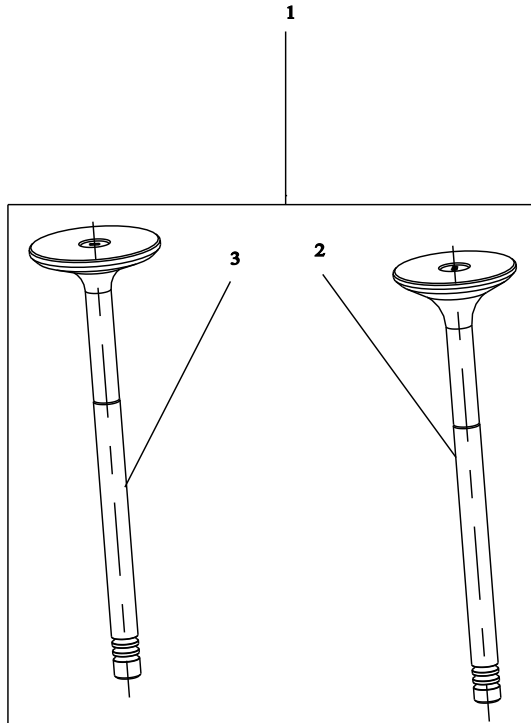
**TABLE-104**

**KIT FUEL FILTER INSERTS PRIMARY AND SECONDARY ( MICO )**

Fig. No.	Part No.	Description	Qty
1	D10076780.9	KIT FUEL FILTER INSERTS PRIMARY AND SECONDARY ( MICO )	1
2	D10066450.9	FILTER FUEL PRIMARY WITH RING	1
3	D10169100.9	FILTER FUEL SECONDARY WITH RING	1

**TABLE-105**

**KIT ENGINE VALVES INLET AND EXHAUST**

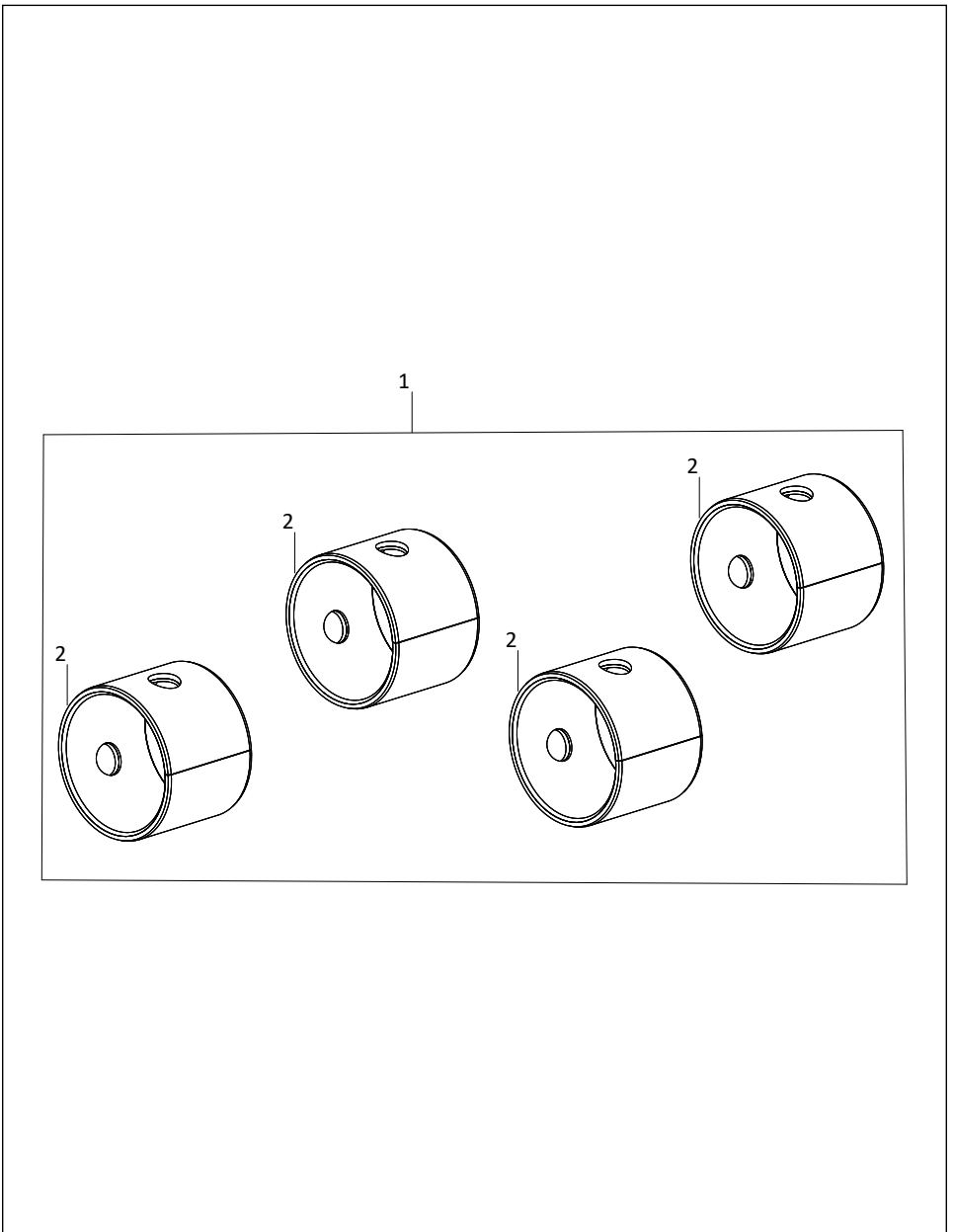


**TABLE-105****KIT ENGINE VALVES INLET AND EXHAUST**

<b>Fig. No.</b>	<b>Part No.</b>	<b>Description</b>	<b>Qty</b>
1	D10203850.9	KIT ENGINE VALVES INLET AND EXHAUST (E4455PT)	1
2	D10008720.9	VALVE EXHAUST 35MM GAUGE	4
3	D10008730.9	VALVE AIR INTAKE 37.9MM GAUGE	4

**TABLE-106**

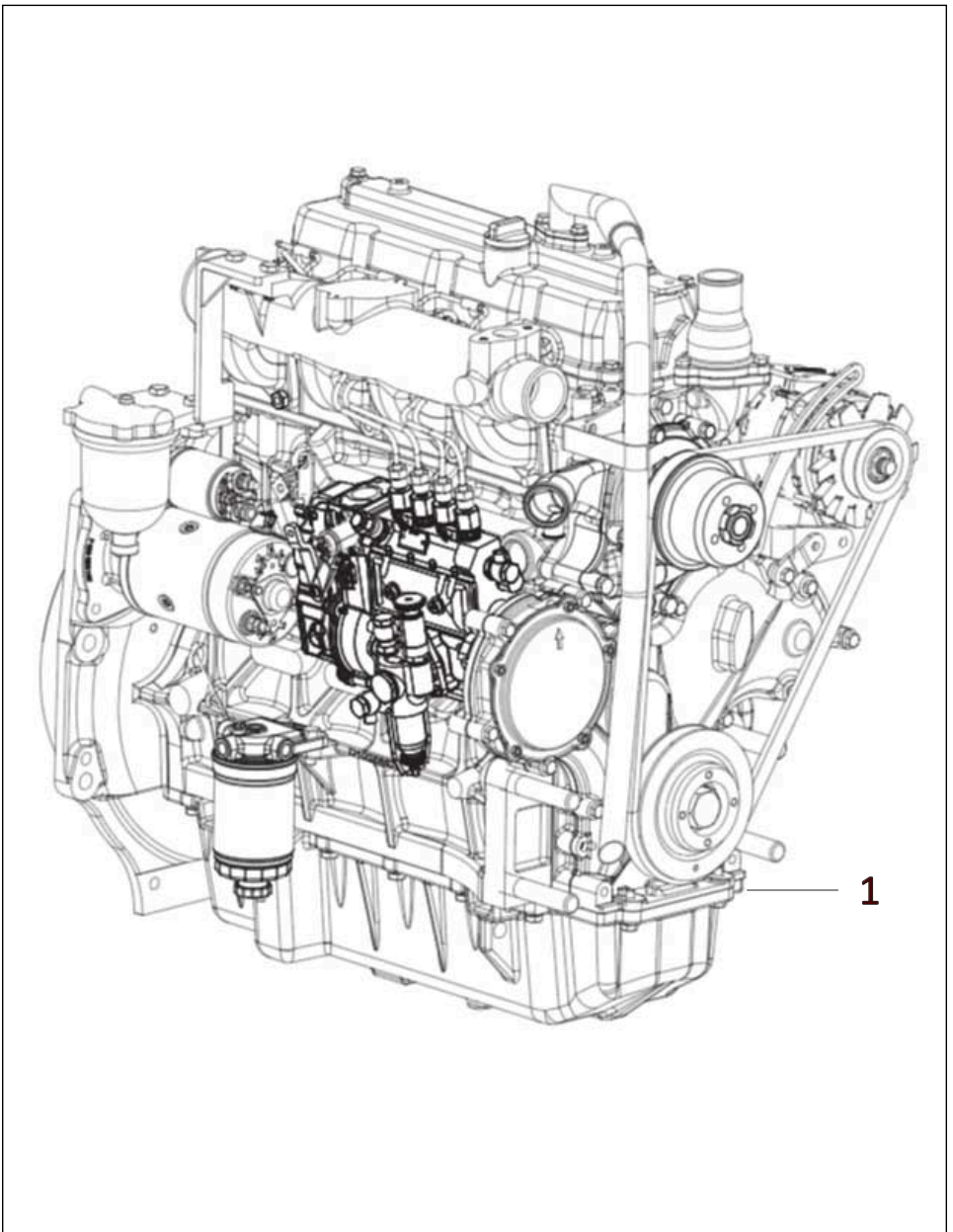
**KIT CONNECTING ROD SMALL END BUSG ( FT- 6065 )**



**TABLE-106****KIT CONNECTING ROD SMALL END BUSG ( FT- 6065 )**

<b>Fig. No.</b>	<b>Part No.</b>	<b>Description</b>	<b>Qty</b>
1	D10417900.9	KIT CONNECTING ROD SMALL END BUSG ( FT- 6065 )	1
2	D10114420.9	BUSH CONNECTING ROD SMALL END E4.286	4

**TABLE-1A**  
**ENGINE ASSEMBLY**





**TABLE-1A**  
**ENGINE ASSEMBLY**

Fig. No.	Part No.	Description	Qty
1	D10662790.9	ENGINE ASSEMBLY FT35DBN UPRATE	1