

ENGINE

Tractor Cut-off Number for Extended Camshaft

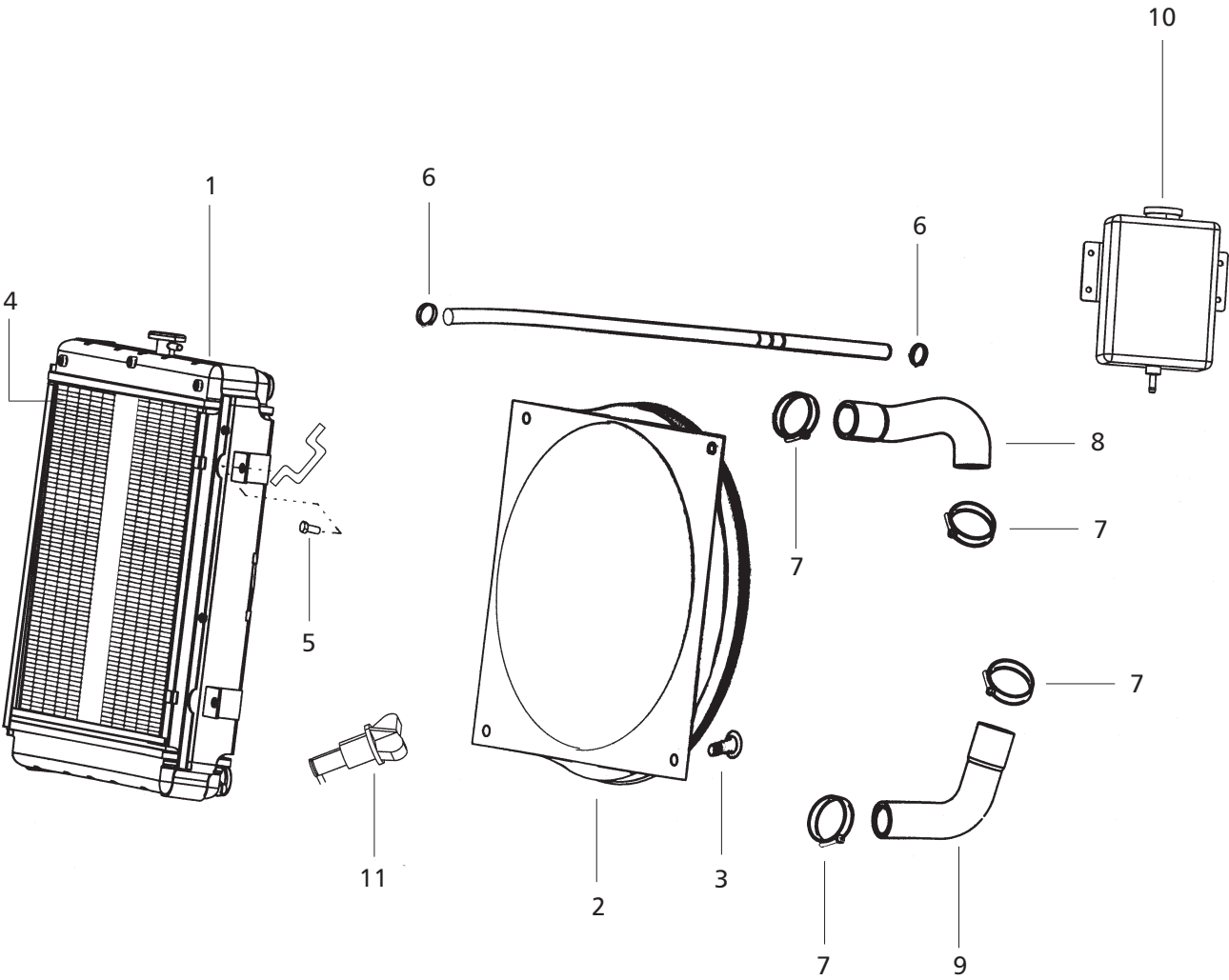
"All Tractors Billed Starting August-05"

Engine Cpte., Major Crankcase Assembly

M&M Part Number	Ref.	Description of Part	Unit Quantity		Remarks / Service Bulletin No.
			6565 4WD	6565 2WD	
006004133F91	*	ENGINE Assy. Cpte - 6565	1	1	
006004135F91	*	ENGINE ASSY HALF 6565	1	1	
FOR EXTENDED CAMSHAFT					
006007696D1	*	ENGINE Assy. Cpte - 6565	1	1	
006004582F91	*	ENGINE ASSY HALF 6565	1	1	
Tractor Cut-off Number for Extended Camshaft					
"All Tractors Billed Starting August-05"					

* Parts not illustrated

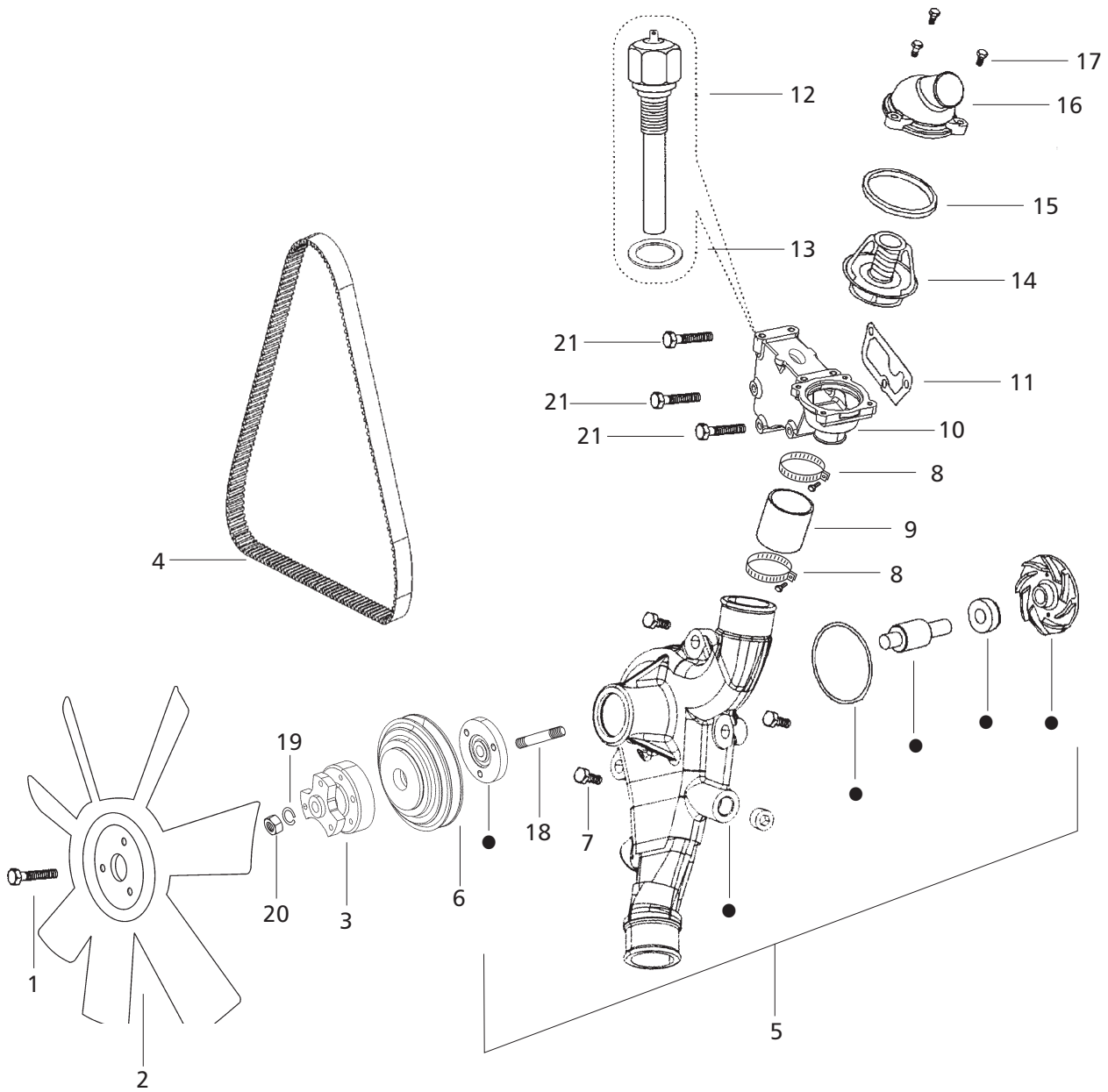
Radiator and Hoses



Radiator and Hoses

M&M Part Number	Ref.	Description of Part	Unit Quantity		Remarks / Service Bulletin No.
			6565 4WD	6565 2WD	
E008000586D91		RADIATOR 2 Row Consists of :	1	1	
006002791F1	1	▶ RADIATOR	1	1	
006002792F1	2	▶ COWL Radiator	1	1	
006002821F1	3	▶ SCREW	4	4	
006000865F1	4	▶ THRESH Guard	2	2	
000020307E05	5	BOLT Flanged Hex. Head M8 x 1.25 x 20	4	4	
006002536C1	6	CLAMP Hose 12 IS:4762	2	2	
006004797F1	7	CLIP Hose Radiator	4	4	
006000603F1	8	HOSE Radiator Inlet	1	1	
006000604F1	9	HOSE Radiator Outlet	1	1	
006003198F91	10	SURGE TANK Assy.	1	1	
005003284F1	11	DRAIN Pluga	1	1	
30.127	*	Zero 'R' Raditor additive			

Water Pump and Fan

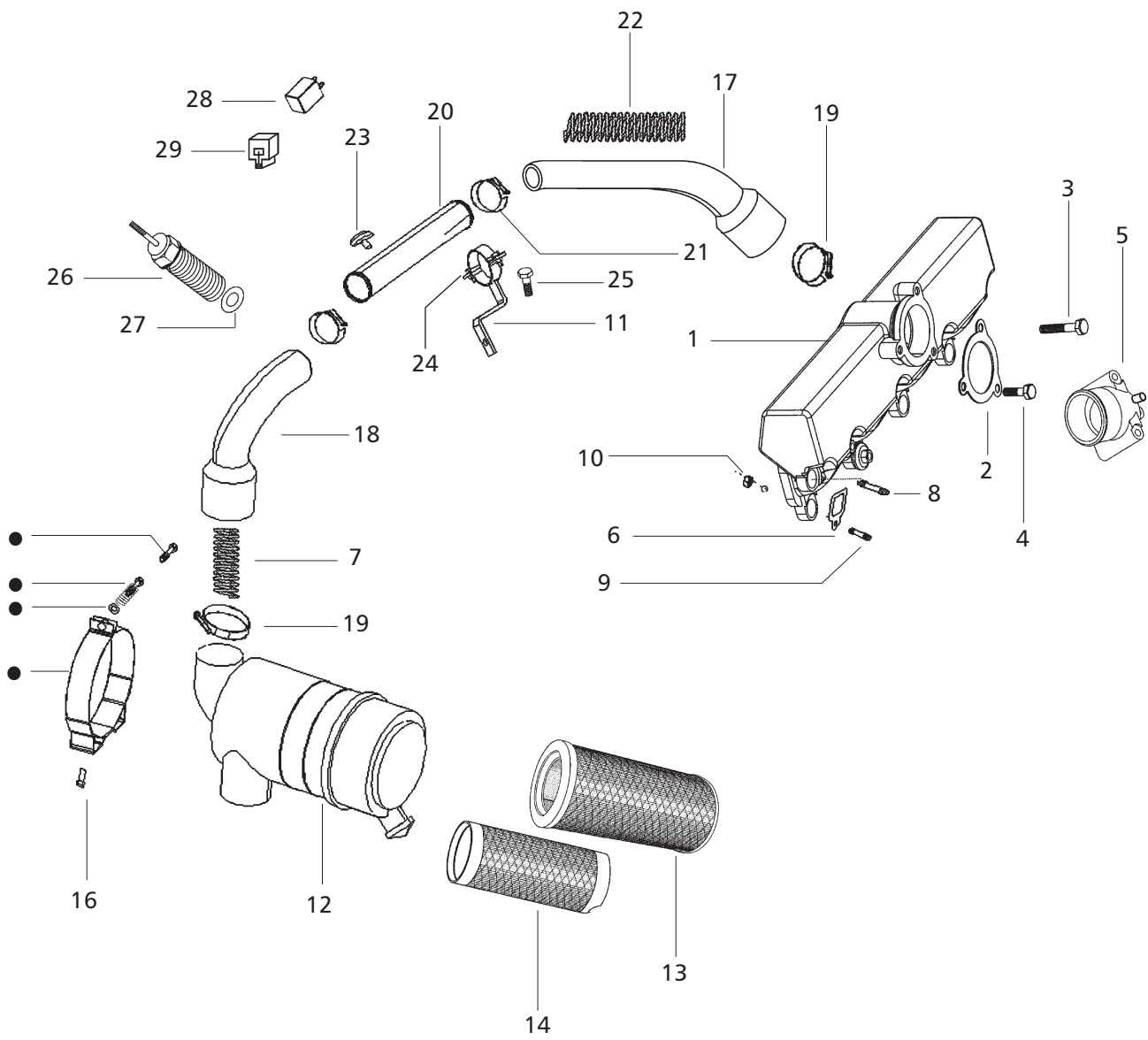


● = 5

Water Pump and Fan

M&M Part Number	Ref.	Description of Part	Unit Quantity		Remarks / Service Bulletin No.
			6565 4WD	6565 2WD	
000020307E05	1	BOLT Flanged M8 x 1.25 x 20.0	3	3	
006000153F1	2	FAN Wheel Assy.	1	1	
006000617F1	3	FAN Adapter	1	1	
000022048E14	4	V BELT Cogged - AVX13-1215	1	1	
000021905E14	5	WAT. PUMP Assy.	1	1	
000021858E14	6	PULLEY Water Pump Fan Drive	1	1	
000020306E05	7	BOLT Flanged Hex. Head M8 x 1.25 x 30	3	3	
006004797F1	8	CLIP Hose Radiator	2	2	
000020591E05	9	HOSE Bypass for Water Pump	1	1	
000021914E14	10	THERMOSTAT Housing	1	1	
000021920E14	11	GASKET Thermo. Housing	1	1	
0000000MU	12	TEMPERATURE SENSOR Unit	1	1	
005550766R2	13	WASHER Insert Temperature	1	1	
006004365F91	14	THERMOSTAT Assembly	1	1	
000020320E05	15	GASKET Thermostat	1	1	
000021915E14	16	COVER Thermostat	1	1	
000020312E05	17	BOLT Flanged Hex. Head M6 x 1 x 20	4	4	
000020266E05	18	STUD M8 x 1.25 x 45	3	3	
001082011R2	19	WASHER Spring Lock 5/16"	3	3	
000020777E05	20	NUT Flanged M8 x 1.25 Grade 8	3	3	
000020792E05	21	BOLT Flanged M8 x 1.25 x 70.0	3	3	

Air Intake System

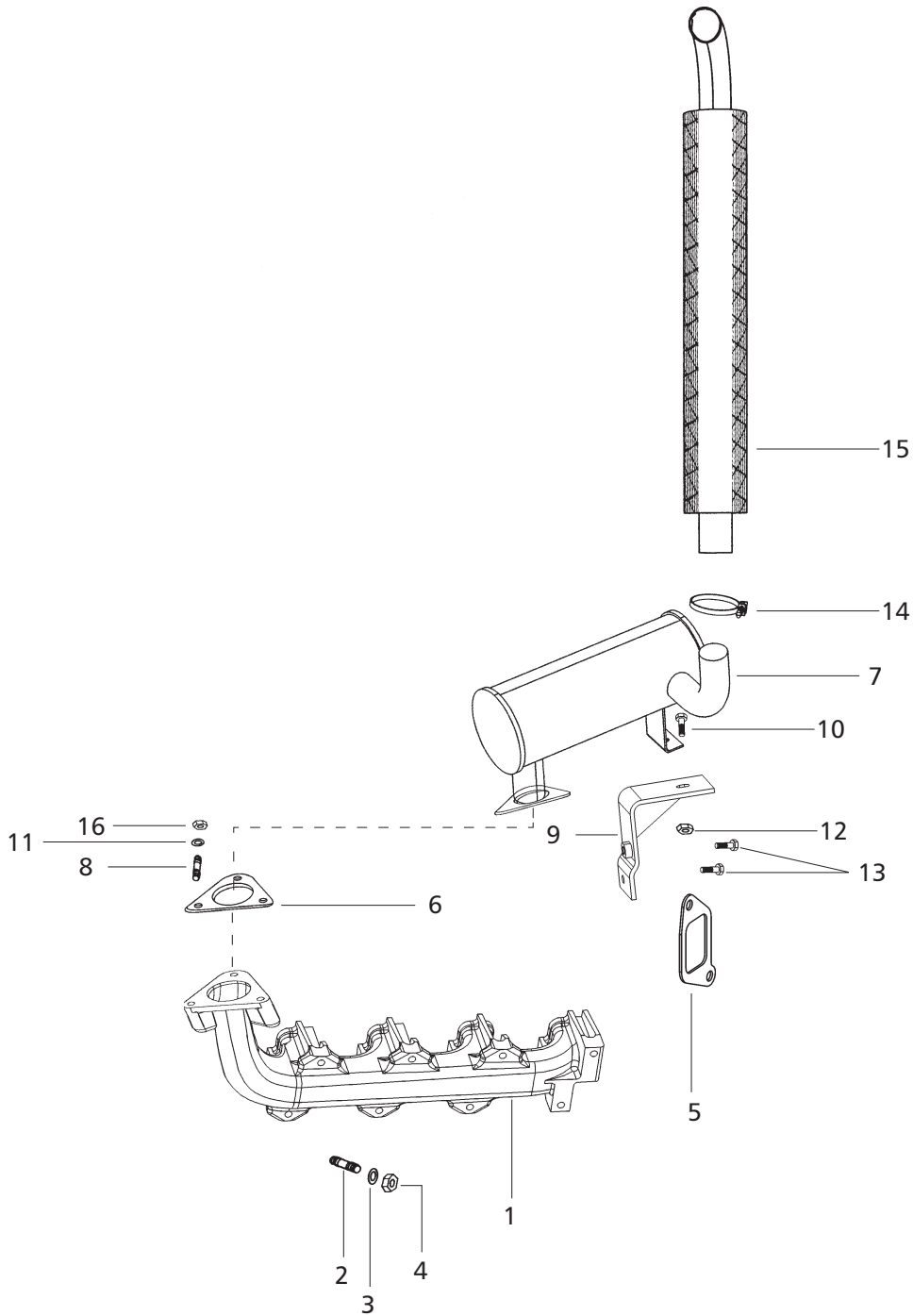


● = 15

Air Intake System

M&M Part Number	Ref.	Description of Part	Unit Quantity		Remarks / Service Bulletin No.
			6565 4WD	6565 2WD	
006000123F1	1	INTAKE Manifold	1	1	
000020247E05	2	GASKET Intake Pipe	1	1	
000020259E05	3	BOLT Hex. M8 x 85	2	2	
000020310E05	4	BOLT Hex. M8 x 35	1	1	
006004934F1	5	CONNECTOR Intake Manifold (CI)	1	1	
006000556F1	*	ADAPTOR	1	1	
000020609E05	6	GASKET Intake Manifold	4	4	
006000060B1	7	SPRING Hose AC Side	1	1	
000020267E05	8	STUD M8 x 1.25 x 70	5	5	
000020265E05	9	STUD M8 x 1.25 x 40	4	4	
000020777E05	10	NUT Flanged M8 x 1.25 GRADE 8	9	9	
006002641F1	11	BOTTOM-CLAMP Air Cleaner Intake Pipe	1	1	
E006000454F91	12	AIR CLEANER Donaldson Consists of :	1	1	
006000456F1	13	▶ SAFETY Element	1	1	
006000455F1	14	▶ PRIMARY Element	1	1	
E006003081F91	15	BRACKET Air Cleaner (Assembly)	1	1	
000020307E05	16	BOLT Flanged Hex. Head M8 x 1.25 x 20	2	2	
E006004959F91	17	ASSEMBLY Intake Pipe	1	1	
E006003061F1	18	HOSE EPDM AC Side	1	1	
006000629F1	19	CLIP HOSE	2	2	
E006000868F1	20	PIPE Metallic Air Intake System	1	1	
006004798F1	21	CLIP Hose 80mm	2	2	
Part Deleted	22	SPRING Hose EPDM CPI Side	1	1	
E006000827F1	23	INDICATOR SERVICE	1	1	
006002635F1	24	CLAMP Top Plate - Air Cleaner Intake Pipe	1	1	
000020311E05	25	BOLT Flanged Hex. Head M6 x 1 x 16	2	2	
006007231C1	26	PLUG M22 x 1.5	1	1	
000020291E05	27	WASHER for Manifold Heater	1	1	
E007700570D91	28	TIMER KSB (Black Housing)	1	1	
007700572B91	29	SHORT Link Coupler	1	1	

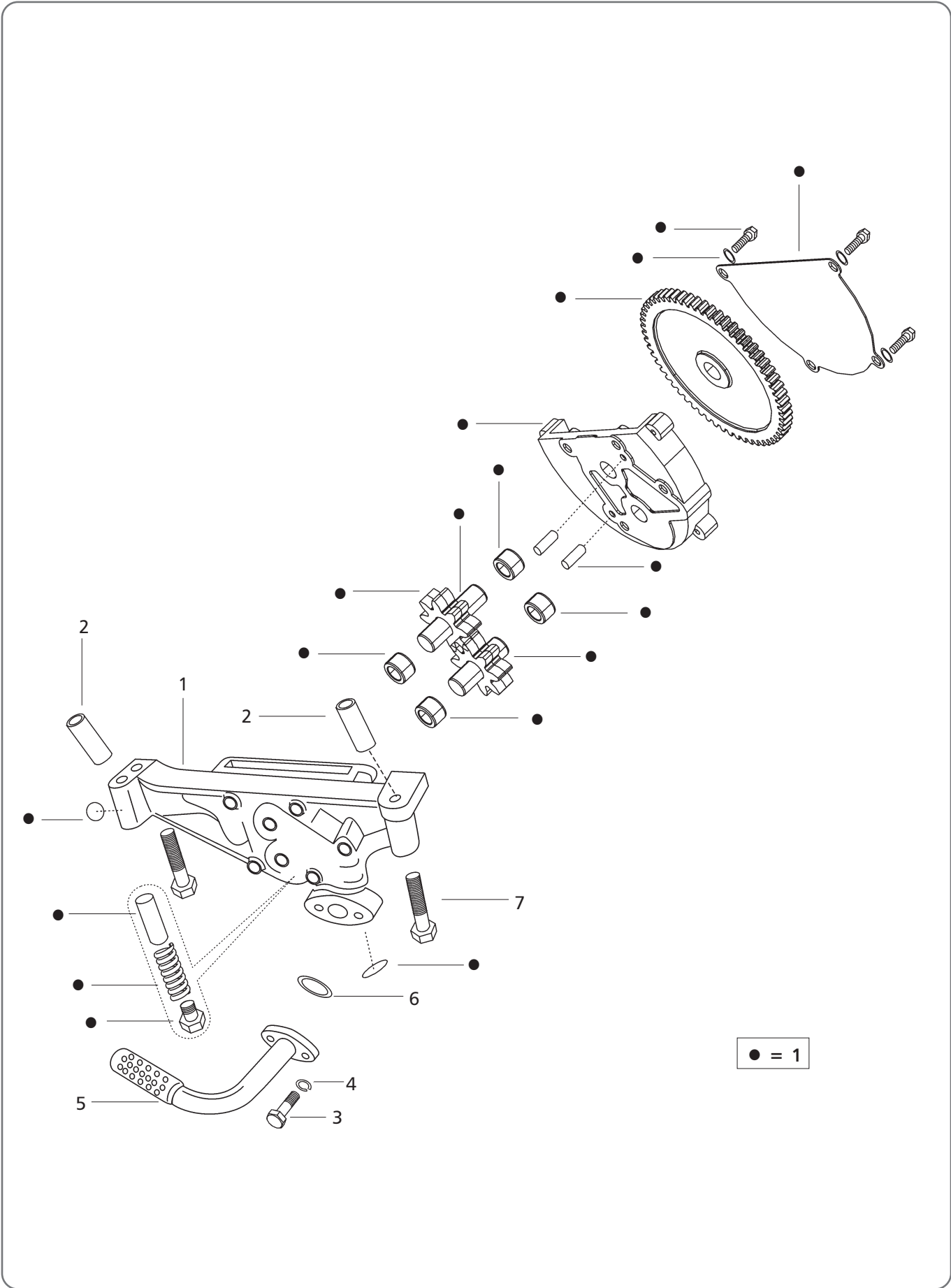
Exhaust System



Exhaust System

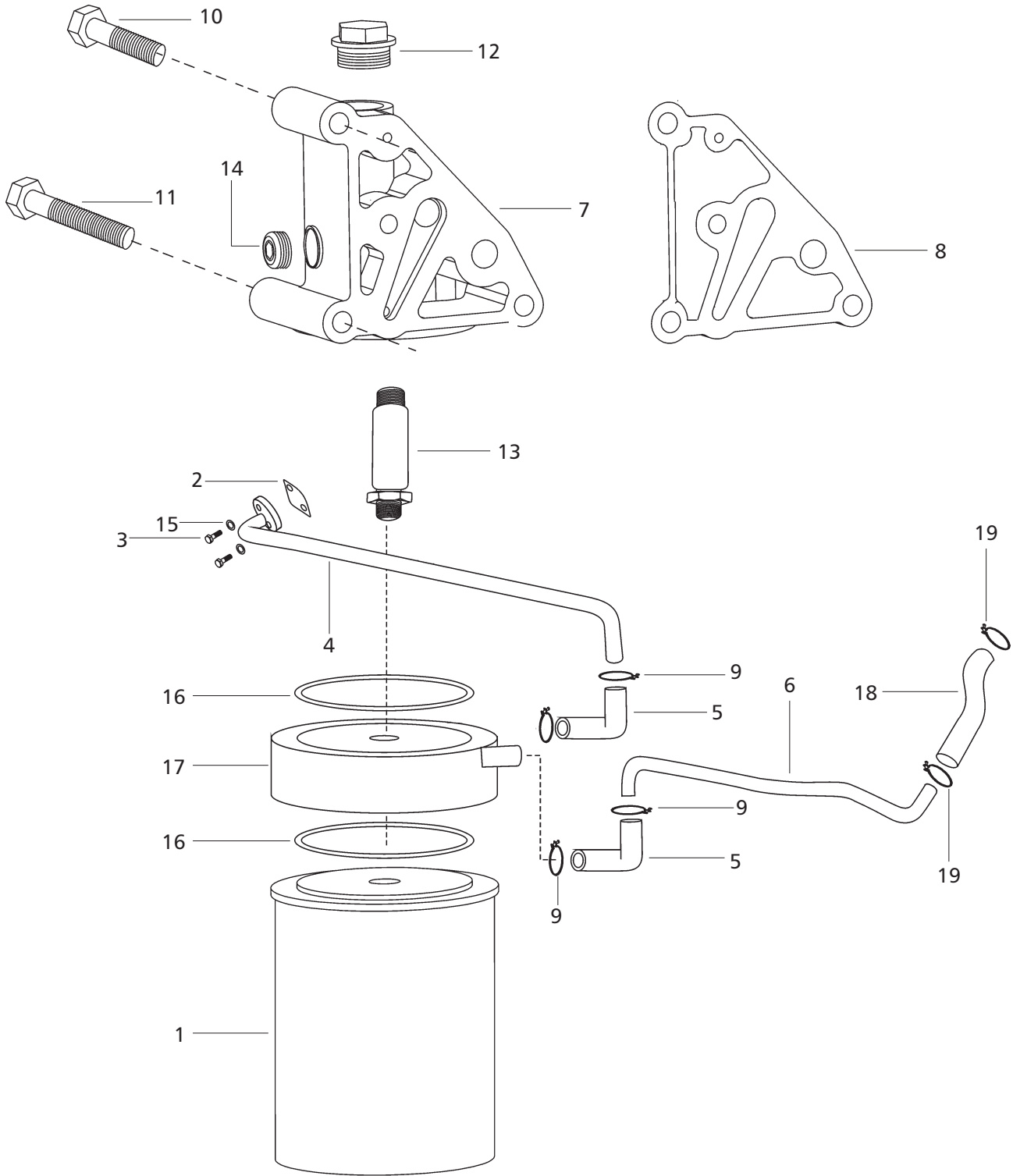
M&M Part Number	Ref.	Description of Part	Unit Quantity		Remarks / Service Bulletin No.
			6565 4WD	6565 2WD	
000021857E14	1	MANIFOLD Exhaust 4 Cyl.	1	1	
000022029E14	2	STUD - Exhaust Manifold	8	8	
001082011R2	3	WASHER - Exhaust Manifold	8	8	
000020777E05	4	NUT Flanged M8 X 1.25	8	8	
000020026E05	5	GAKSET Exh. Manifold	4	4	
006000891F1	6	GASKET between UHM & Exhaust Manifold	1	1	
E006004592D1	7	UNDERHOOD Muffler	1	1	
006002649F1	8	STUD M8 x 28 for Exhaust Manifold	3	3	
006000728F1	9	SUPPORT UHM	1	1	
000020307E05	10	BOLT Flanged Hex. Head M8 x 1.25 x 20	1	1	
001082011R2	11	WASHER Spring Lock	3	3	
000020777E05	12	NUT	1	1	
000020309E05	13	BOLT Flanged M8 x 1.25 x 25	2	2	
006000845F1	14	CLAMP	1	1	
006007160D1	15	Silencer	1	1	
005553017R1	16	NUT M8 x 1.25	3	3	

Lub Oil Pump



M&M Part Number	Ref.	Description of Part	Unit Quantity		Remarks / Service Bulletin No.
			6565 4WD	6565 2WD	
006002746C91	1	OIL PUMP Assy. - NEF	1	1	
000020275E05	2	SLEEVE Location 14 x 15	2	2	
000020311E05	3	BOLT Flanged Hex. Head M6 x 1 x 16	2	2	
001233808R1	4	WASHER Spring Lock M6	2	2	
006000195F1	5	STRAINER Suction	1	1	
000021720E11	6	GASKET for Oil Cooler Pipe Flange	1	1	
000020302E05	7	BOLT Flanged Hex. Head M10 x 1.5 x 65	2	2	

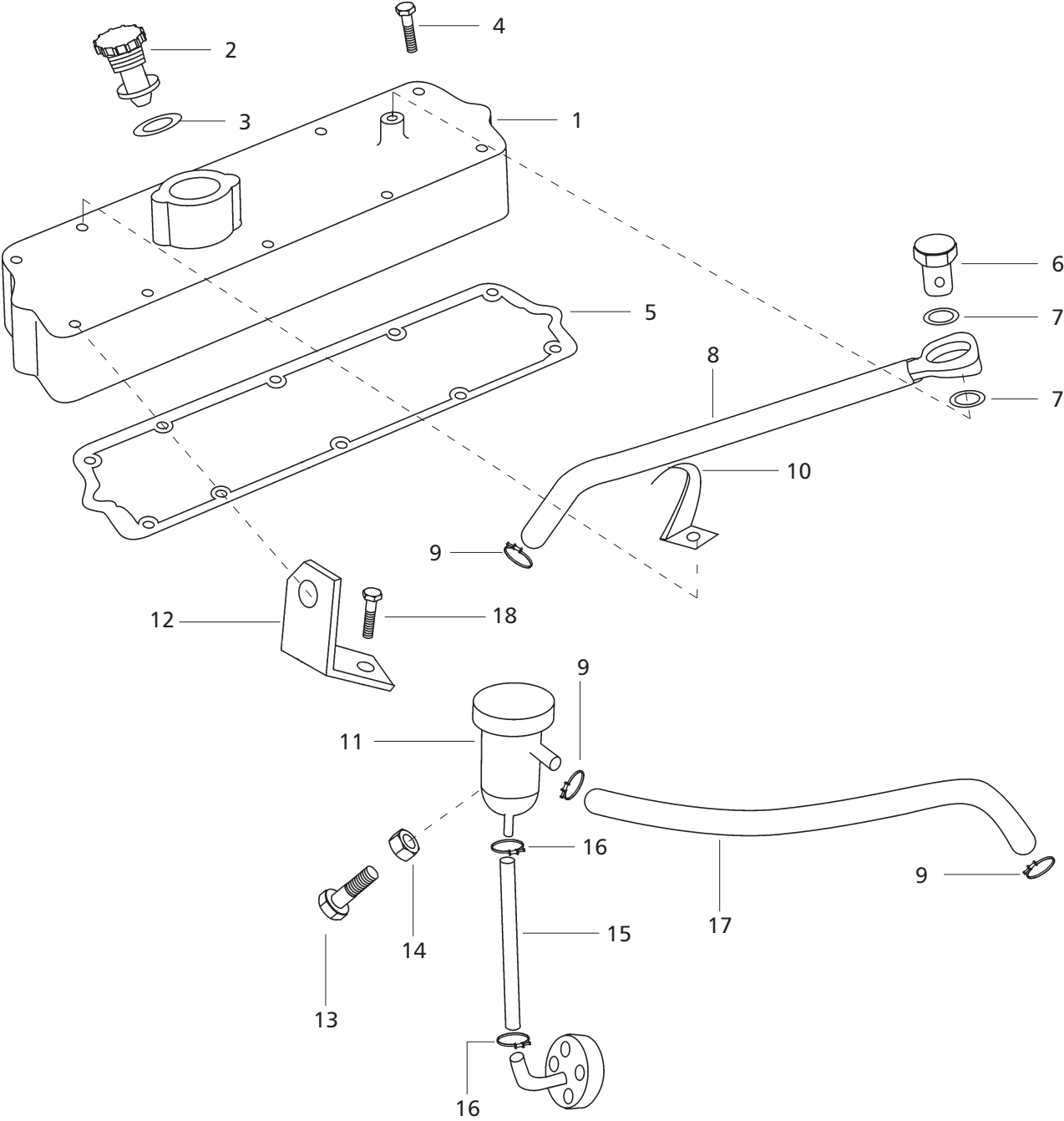
Lub Oil Cooler and Pipings



Lub Oil Cooler and Pipings

M&M Part Number	Ref.	Description of Part	Unit Quantity		Remarks / Service Bulletin No.
			6565 4WD	6565 2WD	
000020316E05	1	OIL FILTER	1	1	
000021720E11	2	GASKET for Oil Cooler Pipe Flange	1	1	
000020311E05	3	BOLT Flanged Hex. Head M6 x 1 x 16	2	2	
006000850F1	4	PIPE from Crankcase Rear to Oil Cooler	1	1	
006005659F1	5	HOSE for Oil Cooler Inlet & Outlet	2	2	
006000546F1	6	PIPE Oil Cooler to Water Pump	1	1	
006002819C1 OR 006000198F1	7	BRACKET Oil Filter (Casting) BRACKET Oil Filter (Aluminium)	1	1	
008000046F1	8	GASKET Oil Filter Bracket	1	1	
005552915R91	9	CLIP PIPE Res.to Pump-Worm Type	4	4	
000020254E05	10	BOLT Flanged Hex. Head M8 x 1.25 x 45	1	1	
000020791E05	11	BOLT Flanged M8x1.25x95.0	2	2	
000020292E05	12	PLUG M22 X 1.5	1	1	
006000622F1	13	CONNECTING PLUG Oil Cooler	1	1	
000020786E05	14	PLUG M10 X 1	1	1	
001233808R1	15	WASHER Spring Lock M6	2	2	
006000771F1	16	RING Rectangular Sealing	2	2	
006000646F1	17	OIL COOLER - 10 Plate	1	1	
000020754E05	18	HOSE Connector at Water Pump End	1	1	
005556668R91	19	CLIP Hose	2	2	

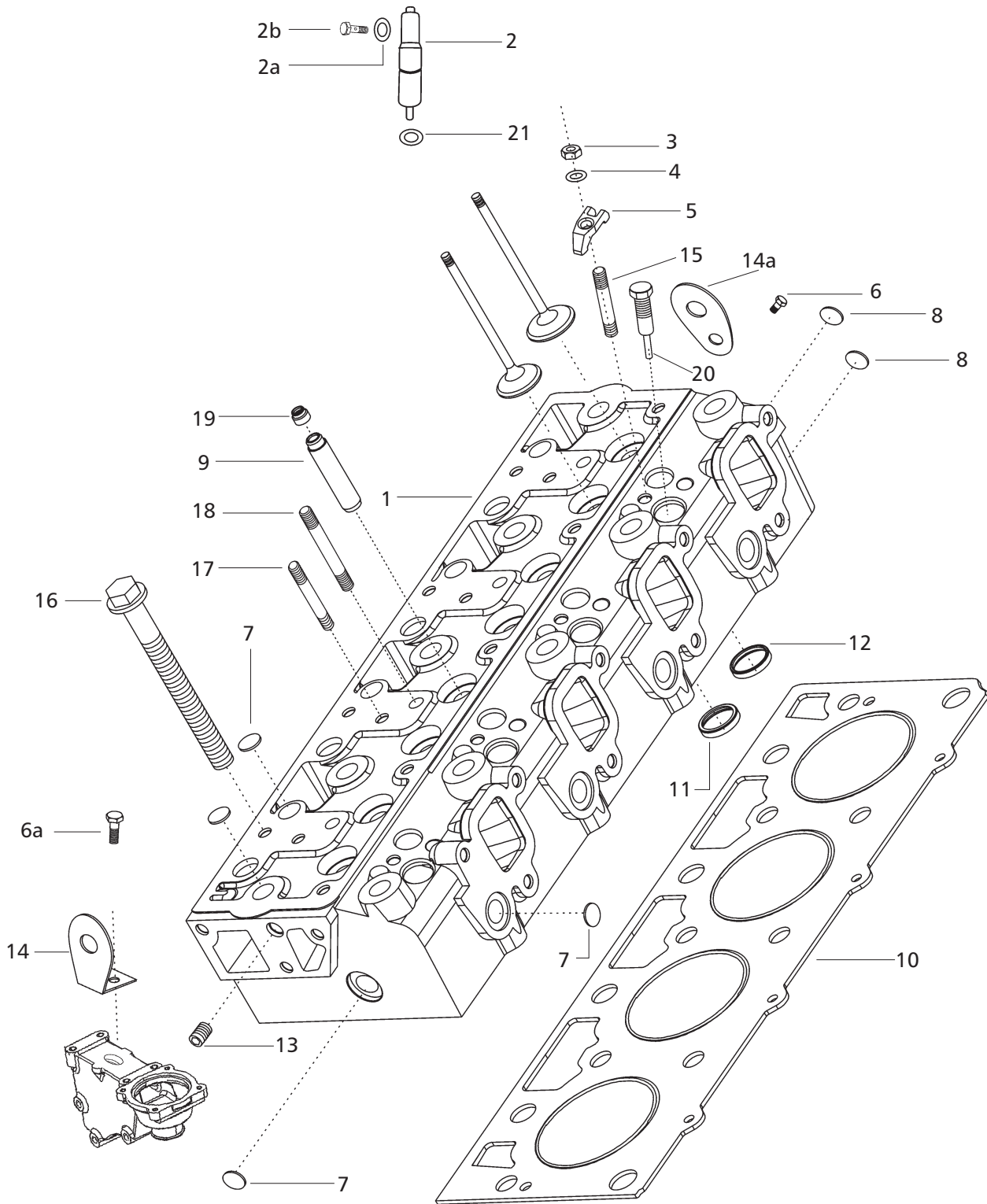
Valve Housing Cover



Valve Housing Cover

M&M Part Number	Ref.	Description of Part	Unit Quantity		Remarks / Service Bulletin No.
			6565 4WD	6565 2WD	
006003108C11	1	COVER Cyl. Head 4 cyl.	1	1	
006003111C91	2	OIL FILLER Cap Assy.	1	1	
000020628E05	3	'O' RING Oil filler cap	1	1	
000020791E5	4	BOLT M8 x 95 for Mtg. Cover Cyl. Head	8	8	
000020608E05	5	GASKET for Cover Cyl. Head 4 cyl.	1	1	
000020704E05	6	BOLT Banjo M16	1	1	
000020706E05	7	SEALING WASHER 16 x 20 Copper	2	2	
006002899C1	8	HOSE Cover to Oil Seperator - 4 cyl.	1	1	
005552915R91	9	CLIP for Hose - Cover to Oil Seperator	3	3	
006002904C1	10	CLIP for PCV Hose Support	1	1	
006002227B1	11	OIL SEPERATOR	1	1	
006003062F1	12	BRACKET for Oil Seperator mtg.	1	1	
000020312E05	13	BOLT M6 x 20 for mtg. Oil Seperator	1	1	
001233807R1	14	NUT M6	1	1	
006002496B1	15	HOSE from Oil Seperator to IPG Cover	1	1	
000020708E05	16	CLIP for Hose - Cover to Oil Seperator	2	2	
006002901C1	17	HOSE Oil seperator to CPI manifold - 4 Cyl.	1	1	
006000227F1	18	BOLT Coller Hex. Head M8 x 100	1	1	

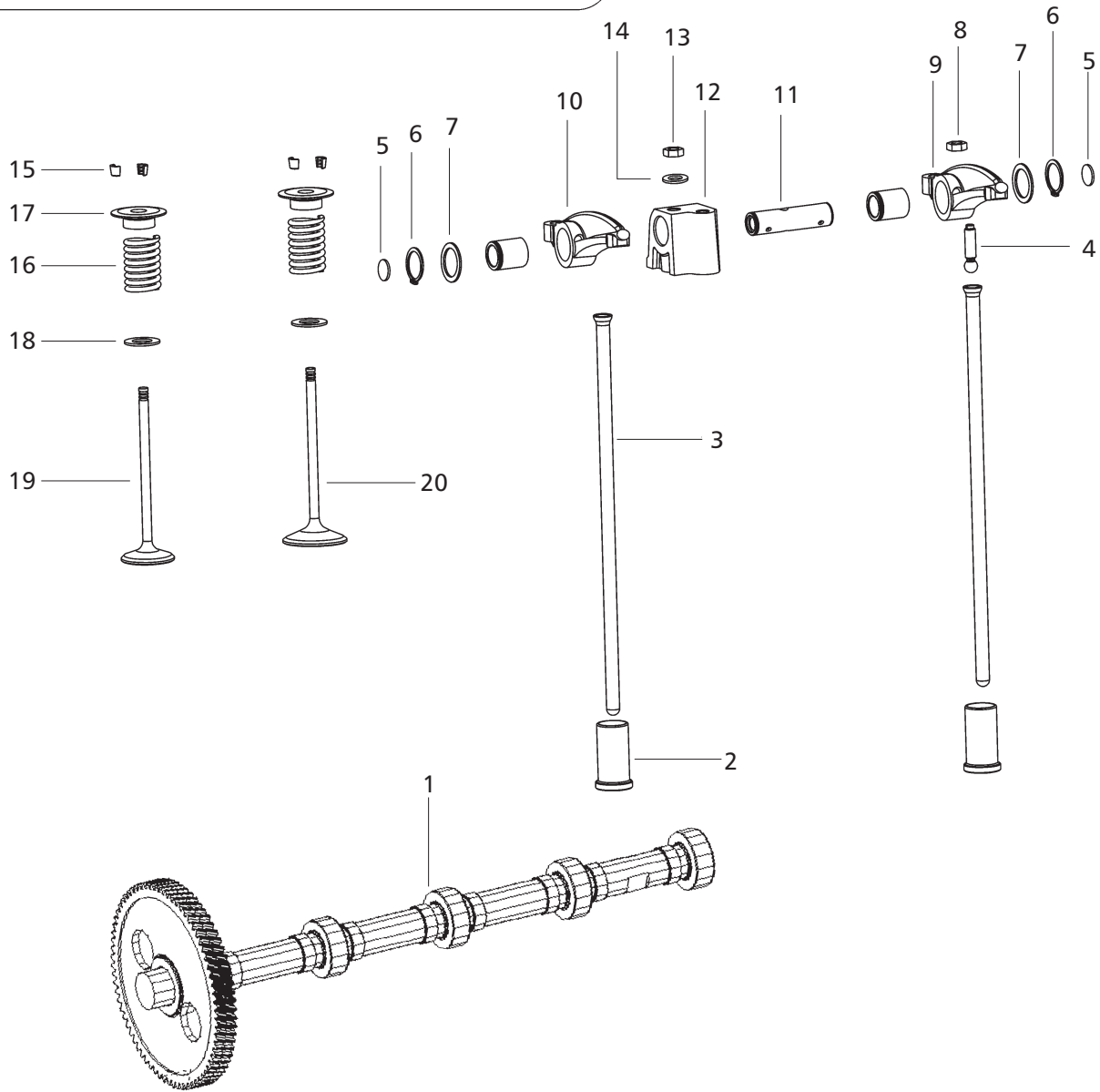
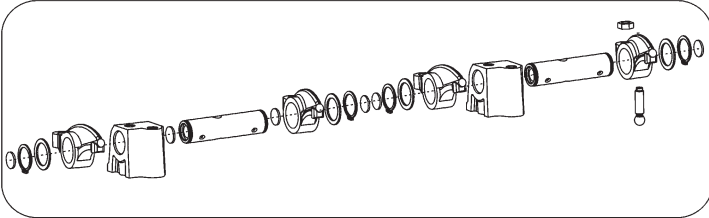
Cylinder Head Assembly



Cylinder Head Assembly

M&M Part Number	Ref.	Description of Part	Unit Quantity		Remarks / Service Bulletin No.
			6565 4WD	6565 2WD	
006000560F1	1	CYLINDER HEAD Assy. Consisting Of :	1	1	
000020299E05	7	▶ PLUG Expansion 30 x 2.0 x 42	7	7	
000020298E05	8	▶ PLUG Expansion 25 x 2.0 x 34	8	8	
000020024E05	9	▶ GUIDE Valve	8	8	
000020052E05	11	▶ RING VALVE SEAT Exhaust	4	4	
000020069E05	12	▶ RING VALVE SEAT Intake	4	4	
000020345E05	19	▶ VALVE Stem Seal	8	8	
006000870F1	2	INJECTOR 6 x Ø 0.172 x 144° x 17°	4	4	
0000000K2	2a	▶ WASHER Copper for Pipe	8	8	
0000000KT	2b	▶ BOLT Banjo for Spill Pipe	4	4	
000020777E05	3	NUT Flanged M8 x 1.25 Grade 8	4	4	
000020289E05	4	WASHER - Clamp Nozzle Holder	4	4	
000020571E05	5	CLAMP Nozzle Holder	4	4	
000010583P03	6	BOLT M16 x 2 x 40 Hex. Hd. Front Lifting Eye	1	1	
000020308E05	6a	BOLT Flanged Hex. Head M8 x 1.25 x 16	2	2	
006000798F1	10	GASKET Cylinder Head	1	1	
000020786E05	13	PLUG Hex. M10 x 1.0	3	3	
006000831F1	14	LIFTING EYE	1	1	
006002380F1	14a	BRACKET Engine Lifting Rear	1	1	
000020266E05	15	STUD M8 x 1.25 x 45	4	4	
006000812F1	16	BOLT Cylinder Head Mounting M14 x 2 x 134 Grade 12.9	10	10	
006000659F1	17	STUD for Pedestal Rocker Arm M8 x 1.25 x 70 Grade 10.9	4	4	
006000662F1	18	STUD M8 x 1.25 x 80 Grade 10.9	4	4	
006000548F1	20	DUMMY Glow Plug	4	4	
000020170E05	21	WASHER Nozzle Holder	4	4	

Valve Train

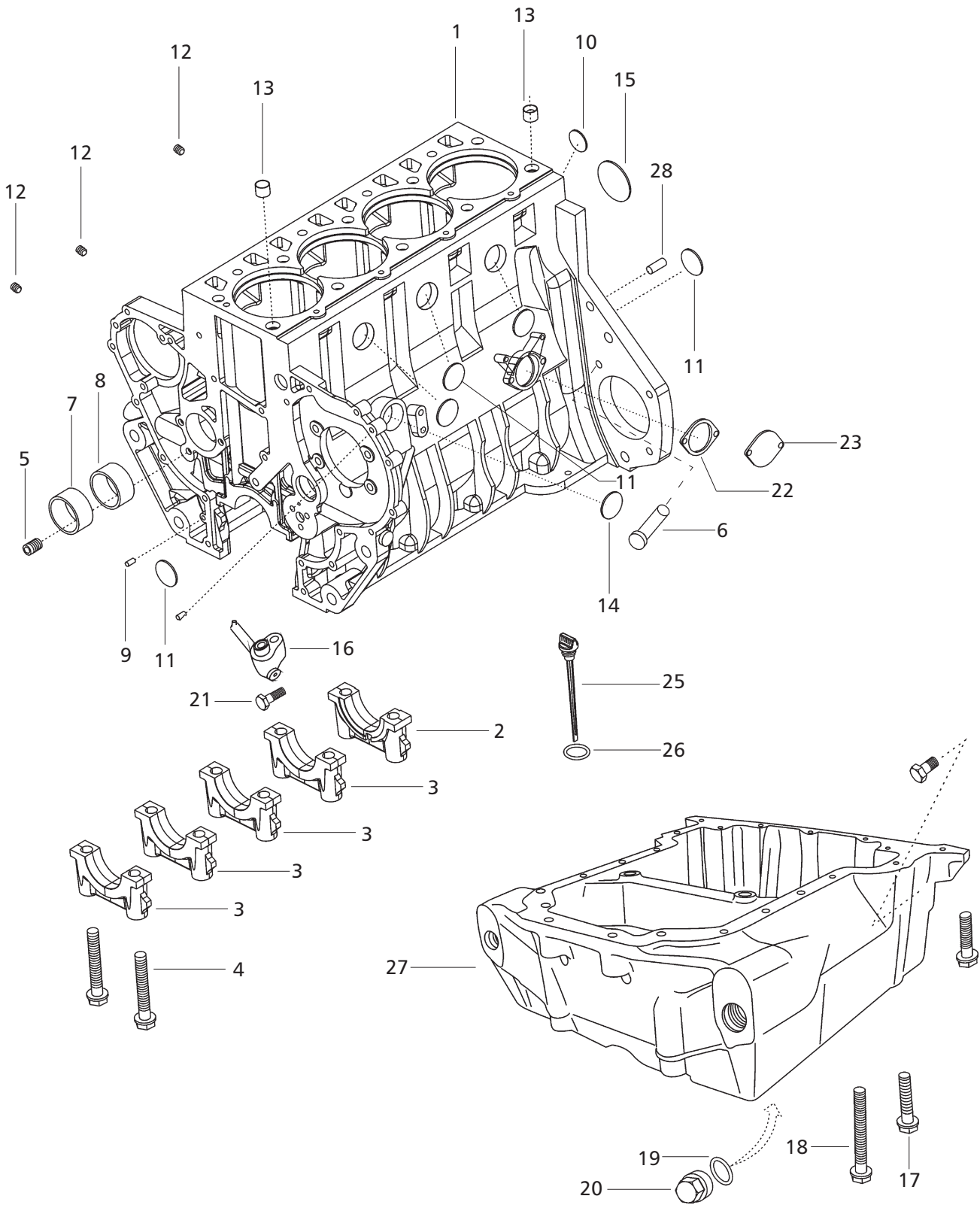


M&M Part Number	Ref.	Description of Part	Unit Quantity		Remarks / Service Bulletin No.
			6565 4WD	6565 2WD	
006004577F91	1	CAMSHAFT Assy with Gear	1	1	CCC/12/2006
006002300D1	2	TAPPET	8	8	
000021602E11	3	PUSH ROD Valve	8	8	
000020172E05		ARM ROCKER Cpte Consists of :	4	4	
000020062E05	4	▶ SCREW Adjusting	8	8	
000020799E05	5	▶ PLUG Tapper	8	8	
000022034RD	6	▶ RING Seeger	8	8	
000022033RD	7	▶ WASHER Valve Lever Shaft	8	8	
000020796E05	8	▶ NUT M8 x 1	8	8	
000020843E05	9	▶ ROKER ARM Intake Assy.	4	4	
000020844E05	10	▶ ROKER Arm Exhaust Assly	4	4	
000020064E05	11	▶ SHAFT Rocker Arm	8	8	
000020031E05	12	▶ PEDESTAL Rocker Arm	8	8	
006000663F1	13	NUT for Pedestal M8 x 1.25 Class 10-M94981	8	8	
006000002F1	14	VALVE LOCK - Half	16	16	
0000000XC	15	VALVE Spring	8	8	
006000077F1	16	RETAINER Upper for Valve Spring	8	8	
000020562E05	17	WASHER Lower - Valve Spring Retainer	8	8	
000020857E05	18	SET of Valves Consist of			
‡	19	▶ VALVE Engine Intake	4	4	
‡	20	▶ VALVE Engine Exhaust	4	4	
006005158F91	*	KIT for 6565 Extended Camshaft Arrangement	1	1	

* Part not illustrated

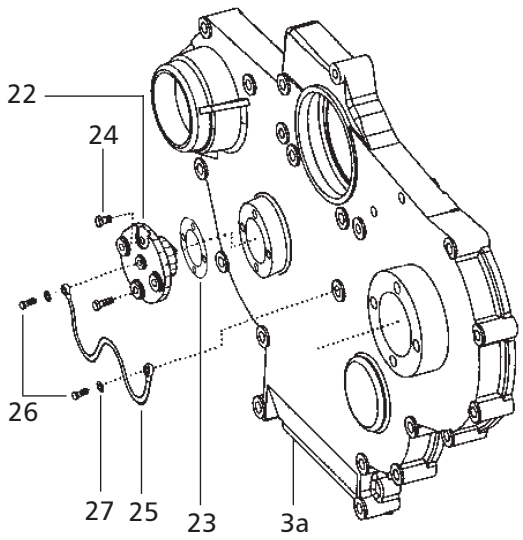
‡ Not Serviceable Separately

Cylinder Block

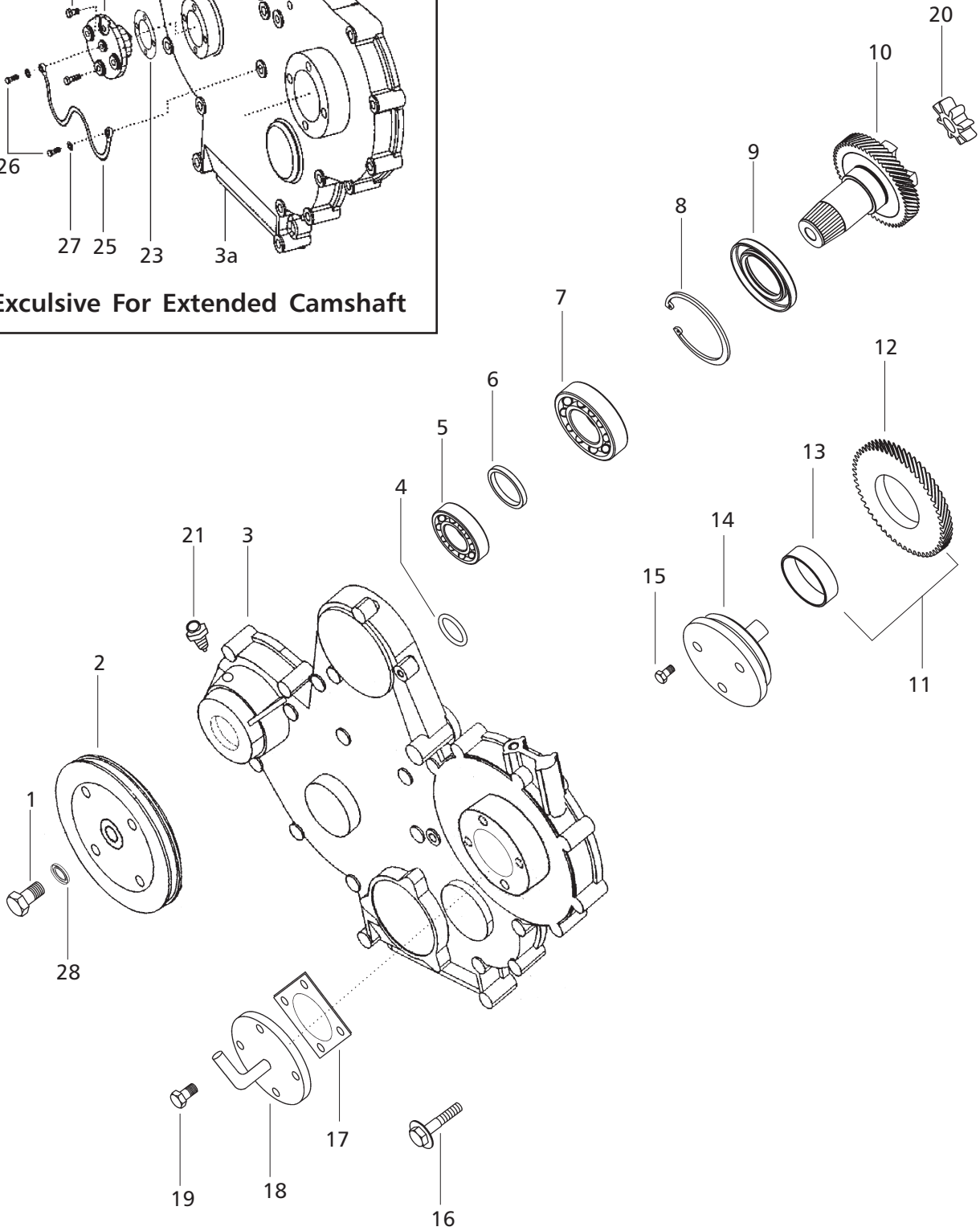


M&M Part Number	Ref.	Description of Part	Unit Quantity		Remarks / Service Bulletin No.
			6565 4WD	6565 2WD	
000022023E14		CRANKCASE Assy. Consists of :	1	1	
‡	1	▶ CRANKCASE	1	1	
‡	2	▶ CAP Main Bearing Rear	1	1	
‡	3	▶ CAP Main Bearing Front	4	4	
000020145E05	4	▶ BOLT Main Bearing Cap	10	10	
006002987C1	7	▶ BUSH Camshaft Front	1	1	
006000015F1	8	▶ BUSH Camshaft Rear	4	4	
000020298E05	14	▶ PLUG Expansion 25 x 2.0 x 34	1	1	
000020903E05	11	▶ PLUG Expansion	5	5	
000020787E05	5	PLUG M14 x 1.5 Hex Socket Pipe	6	6	
000020751E05	6	PIN SEALING for fuel timing hole	1	1	
000020279E05	9	PIN Dowel 8.0m 6 x 12	2	2	
000020300E05	10	PLUG Expansion	1	1	
000020786E05	12	PLUG M10 x 1.0 Hex Socket Pipe	1	1	
000020507E05	13	SLEEVE Location	2	2	
000020301E05	15	PLUG Expansion 56 x 2.0 x 80	1	1	
000020778E05	16	PISTON COOLING JET Assembly (Ball Type)	4	4	
000020255E05	17	BOLT Flanged Hex. Head M8 x 1.25 x 50	4	4	
006000130F1	18	BOLT Flanged M8 x 1.25 x 145 Grade 8.8	25	25	
000020286E05	19	SEALING for pipe union	1	1	
006000110F1	20	PLUG Hex Head	1	1	
000020818E05	21	BOLT Flanged M6 x 30 Full Threaded	4	4	
000020495E05	22	GASKET Water Drain Plug Hsg	1	1	
006000386F1	23	PLATE Crankcase Water Drain	1	1	
006002603F1	25	DIPSTICK	1	1	
000020664E05	26	O’RING for Dipstick	1	1	
006002375F1	27	OIL PAN - 6565	1	1	
005551963R1	28	PIN DOWEL 12.5 h8 - for flywheel hsg. to crankcase	1	1	

Front Cover Group



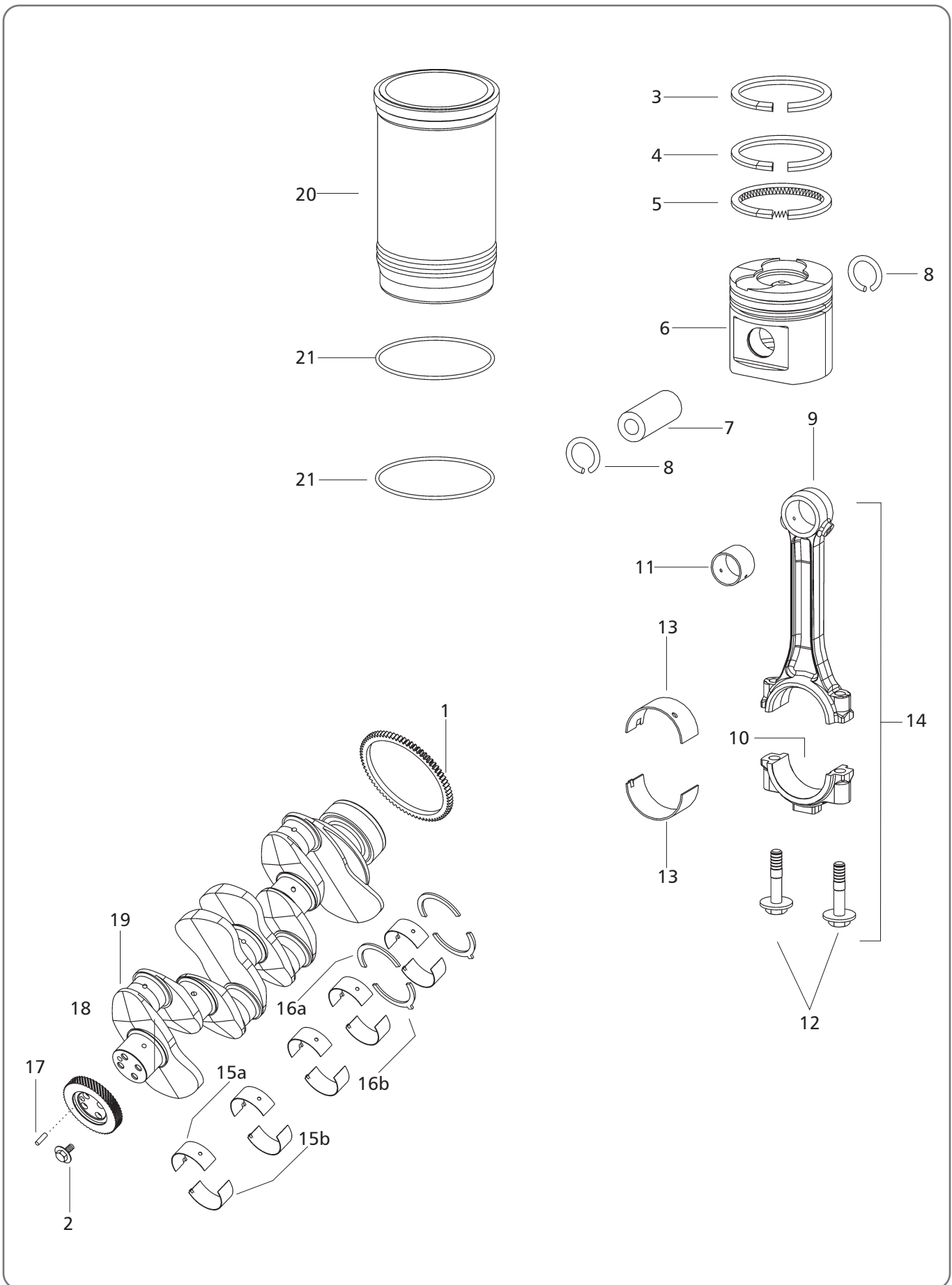
Exclusive For Extended Camshaft



M&M Part Number	Ref.	Description of Part	Unit Quantity		Remarks / Service Bulletin No.
			6565 4WD	6565 2WD	
006504243F91	*	KIT for Single Groove Pully Consisting of :	1	1	
006004337F91	*	▶ SUB Assembly Main Drive Pully	1	1	
006005063F91	2	▶ PULLEY Hydraulic Pump Splined (Single Groove)	1	1	
000020305E05	1	▶ BOLT Flanged	1	1	
006000069F1	3	FRONT Cover (Discontinued)	1	1	
006005552F91	A	FRONT Cover Sub - Assy Consists of	1	1	
006003611F1	3a	▶ FRONT Cover	1	1	
000020381E05	4	▶ 'O'RING	1	1	
000020283E05	5	▶ BALL Bearing 6007.2	1	1	
000020118E05	6	▶ SPACER Hyd Pump Brg	1	1	
000020288E05	7	▶ BALL Bearing 6207.2	1	1	
000704385R1	8	▶ CIRCLIP Internal 72 mm	1	1	
000020369E05	9	▶ OIL SEAL Front	1	1	
006005061F1	10	▶ GEAR Hydraulic Pump	1	1	
000020786E05	*	▶ PLUG (M10 x 1 Hex Socket Pipe)	1	1	
007600185C1	21	▶ GREASE Nipple M6	1	1	
000020363E05	11	GEAR Idler Assembly With Bush	1	1	
000020159E05	12	▶ GEAR Idler	1	1	
000020339E05	13	▶ BUSH for Idler Gear	1	1	
006005610C1	14	SHAFT Idler Gear	1	1	
000020253E05	15	BOLT Flanged Hex. Head M8 x 1.25 x 35	3	3	
000020254E05	16	BOLT Flanged Hex. Head M8 x 1.25 x 45	21	21	
006000099F1	17	GASKET -Cover Injection Pump Gear	1	1	
006002890C11	18	COVER for Injection Pump Gear	1	1	
000020307E05	19	BOLT Flanged Hex. Head M8 x 1.25 x 20	4	4	
006000089F1	20	RUBBER Clutch	1	1	
006003610F1	22	BEARING Housing	1	1	
006000099F1	23	GASKET	1	1	
000020309E05	24	BOLT M8 x 25	4	4	
006004882F1	25	PIPE Lubrication	1	1	
001081723R1	26	BOLT Banjo (M10 x 1)	2	2	
001081724R1	27	WASHER	4	4	
006005197F1	28	WASHER Main Drive Pulley	1	1	
006004224F1	*	PIPE Oil Cooler	1	1	
006005550F91	*	KIT A for Splined Pulley for Tractors Fitted with Extended Camshaft	1	1	
006005551F91	*	KIT B for Splined Pulley for Tractors Fitted with Regular Camshaft	1	1	

* Part not illustrated

Piston, Liner, Connecting Rod and Crankshaft



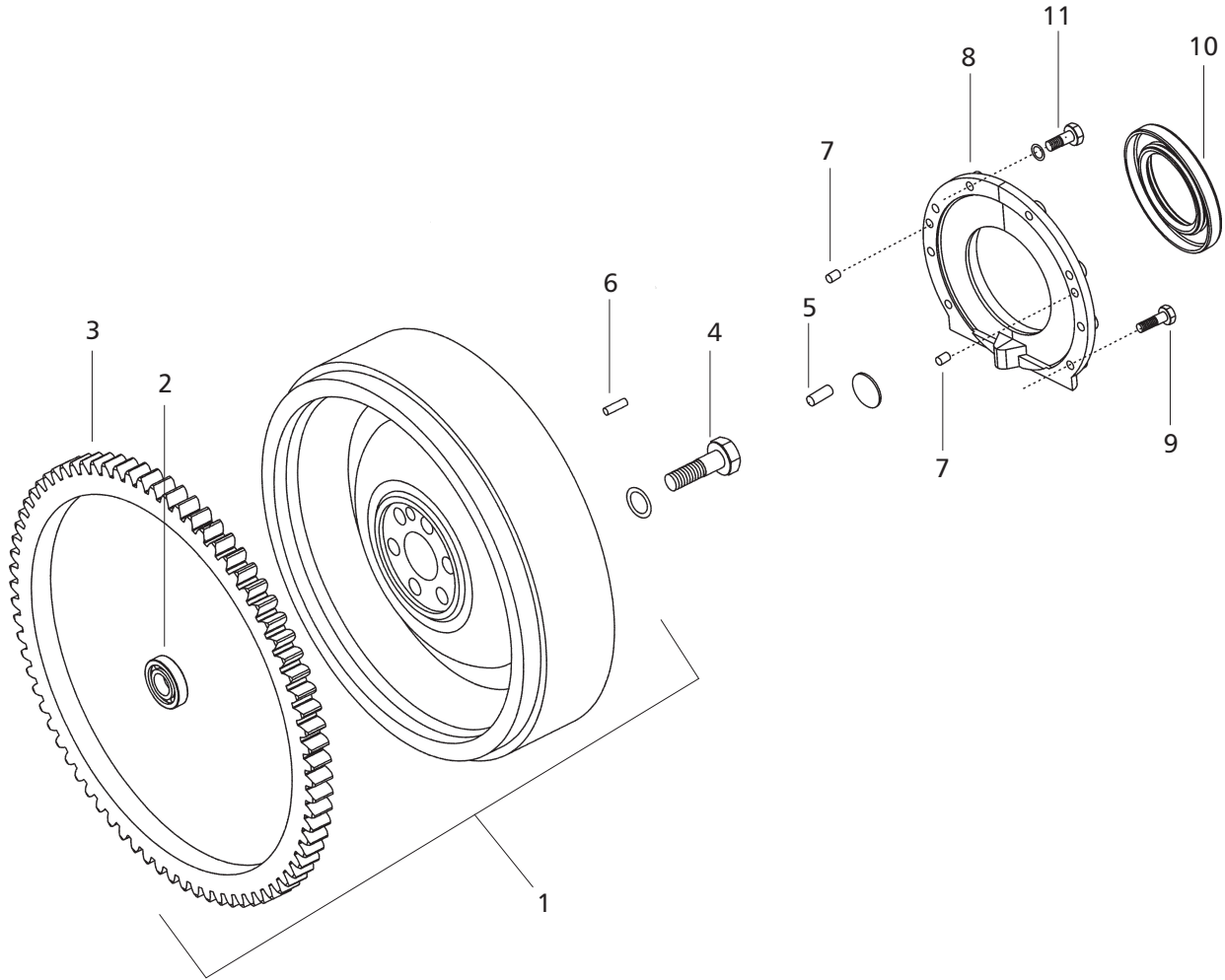
Piston, Liner, Connecting Rod and Crankshaft

M&M Part Number	Ref.	Description of Part	Unit Quantity		Remarks / Service Bulletin No.
			6565 4WD	6565 2WD	
000020368E05	1	GEAR Oil Pump Drive	1	1	
000020884E05	2	BOLT Hex Head M10 x 1 x 20	4	4	
006004552F91	*	RING Set Piston Consists of			
‡	3	▶ RING Piston TOP	4	4	
‡	4	▶ RING Piston 2nd	4	4	
‡	5	▶ RING OIL CONTROL	4	4	
006000775F91		PISTON with Pin Consists of			
‡	6	▶ PISTON	4	4	
‡	7	▶ PIN Piston	4	4	
‡	8	▶ RETAINER Piston Pin	8	8	
006004203F91	14	ASSY. Connecting Rod each Consist of	4	4	
‡	9	▶ CONNECTING ROD without Cap			
‡	10	▶ CAP Connecting Rod			
000020337E05	11	▶ BUSH Connecting Rod	4	4	
000020027E05	12	▶ BOLT Connecting Rod	8	8	
006000278F1	13	BEARING Shell Connecting Rod Upper & Lower	8	8	
000020332E05	15a	BEARING MAIN JOURNAL Top	5	5	
000020340E05	15b	BEARING MAIN JOURNAL Bottom	5	5	
000020889E05	16a	THRUST WASHER (With Lug)	2	2	
000020890E05	16b	THRUST WASHER (Without Lug)	2	2	
000020281E05	17	PIN Dowel 8.0 M6 x 18 DIN 7	1	1	
000020361E05	18	GEAR Crankshaft	1	1	
000021810E11	19	CRANKSHAFT	1	1	
000021637E11	20	CYLINDER Liner	4	4	
000020375E05	21	O' RING Cylinder Liner	8	8	

‡ Not Serviceable Separately

Change on 6 Jan 2012

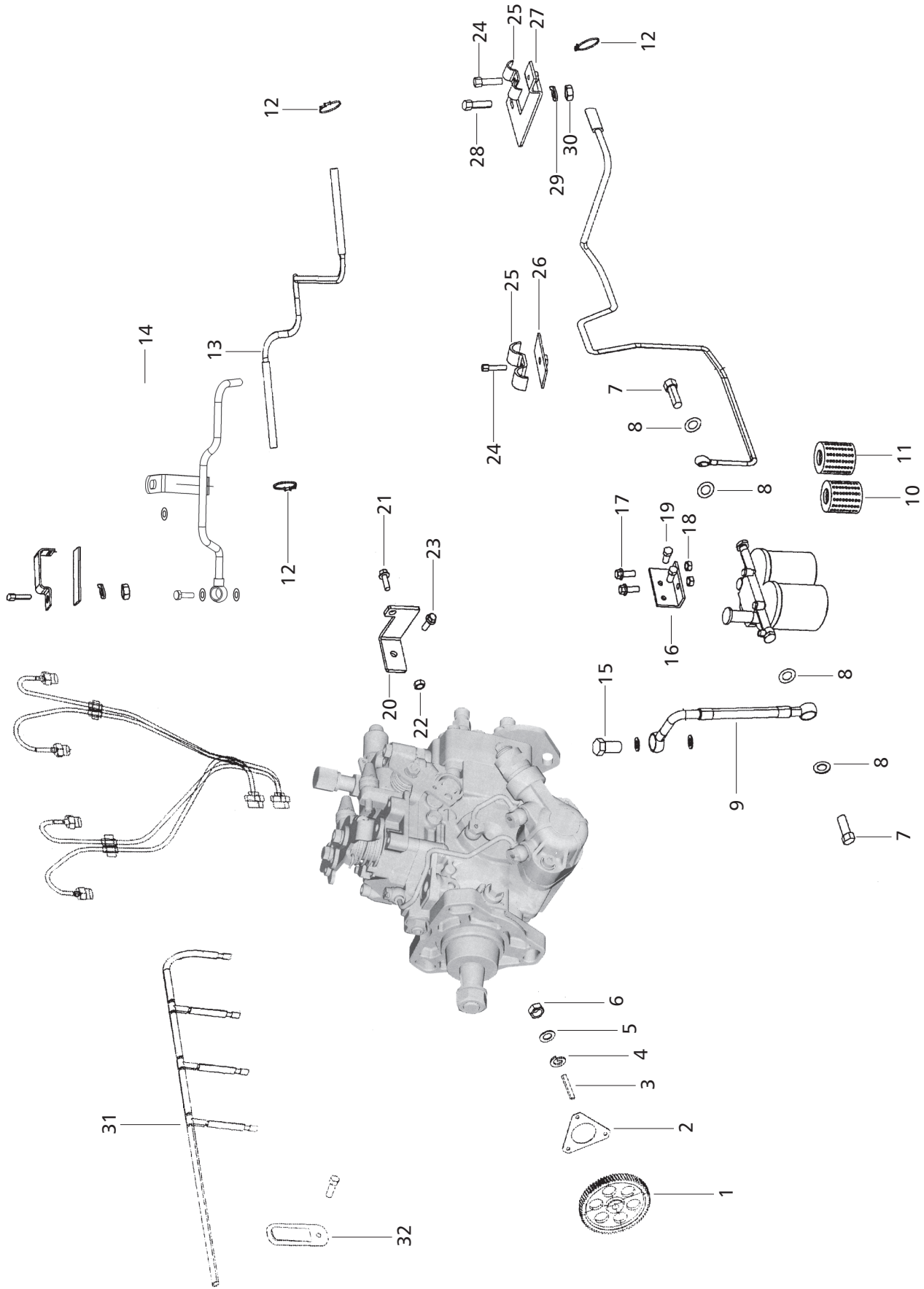
Flywheel and Rear Oil Seal



Flywheel and Rear Oil Seal

M&M Part Number	Ref.	Description of Part	Unit Quantity		Remarks / Service Bulletin No.
			6565 4WD	6565 2WD	
006000573F91	1	ASSY FLYWHEEL Consisting of :	1	1	
000704436R1	3	↳ RING GEAR	1	1	
0000000B7	2	BEARING CLUTCH PILOT	1	1	
000020860E05	4	BOLT M14 x1.5 x 33	6	6	
005551963R1	5	PIN Dowel	2	2	
000020269E05	6	PIN Dowel	1	1	
000020280E05	7	PIN Dowel 8.0 M6 x 16	2	2	
000020541E05	8	RETAINER Rear Oil Seal	1	1	
000020307E05	9	BOLT Flanged Hex. Head M8 x 1.25 x 20	2	2	
000020524E05	10	OIL SEAL Cr'Shaft Rear	1	1	
000020309E05	11	BOLT Flanged Hex. Head M8 x 1.25 x 25	8	8	

FIP, Nozzle and Piping



FIP, Nozzle and Pipings

M&M Part Number	Ref.	Description of Part	Unit Quantity		Remarks / Service Bulletin No.
			6565 4WD	6565 2WD	
006000821F1	1	GEAR Rotary FIP	1	1	
006000222F1	2	GASKET FIP Mtg	1	1	
006000557F1	3	STUD ROTARY FIP Mtg	3	3	
000120393	4	WASHER PLAIN	3	3	
001082011R2	5	WASHER 5/16" Springlock	3	3	
000020777E05	6	NUT FLANGED M8 x 1.25 grades	3	3	
0000000HF	7	BANJO BOLT M14 x 1.5	1	1	
001081721R2	8	WASHER 2 916 710 609	4	4	
006002766F1	9	PIPE Fuel Filter to FIP Inlet	1	1	
006002802F1	10	PRIMARY ELEMENT - Fuel Filter	1	1	
006002802F1	11	SECONDARY ELEMENT - Fuel Filter	1	1	
007515222D1	12	CLIP HOSE	3	3	
006000922F1	13	PIPE O/F Tank side	1	1	
006003200F1	14	PIPE O/F FIP side	1	1	
006000331F1	15	BANJO BOLT M12 - Rotary FIP	1	1	
006000638F1	16	BRACKET For Fuel Filter	1	1	
000020726E05	17	BOLT Flanged M12 x 1.75 x 40	2	2	
005550753R1	18	NUT Hex M12 x 1.75	2	2	
000020565E05	19	BOLT Hex M10 X 1.5 X 20	2	2	
006000814F1	20	BRACKET Support Rotary FIP	1	1	
000020307E05	21	BOLT Flanged Hex. Head M8 x 1.25 x 20	1	1	
000020777E05	22	NUT Flanged M8 x 1.25	1	1	
000020308E05	23	BOLT Flanged Hex. Head M8 x 1.25 x16	1	1	
001121502R1	24	SCREW M5 x 20	2	2	
006002413F1	25	U-CLAMP Top Plate	2	2	
007201242C1	26	U-CLAMP Bottom Plate	1	1	
006002449F1	27	Z-Clamp	1	1	
000020311E05	28	BOLT Flanged M6 x 1 x 16	1	1	
001233808R1	29	WASHER Spring Lock M6	1	1	
001233807R1	30	NUT M6 x 1	1	1	
006000639F1	31	FUEL Spill Pipe	1	1	
000708114R3	32	CLIP CABLE	1	1	

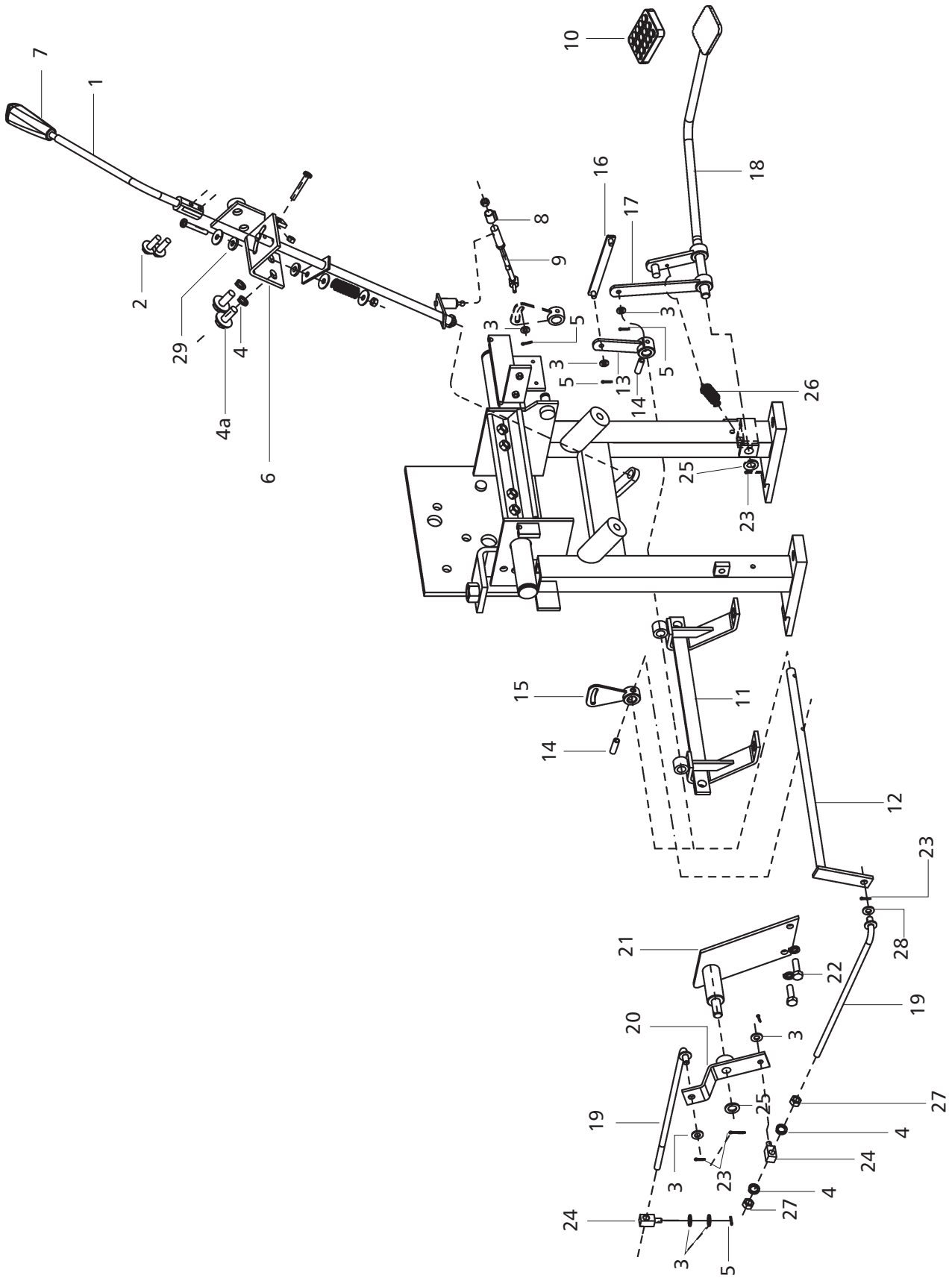
FIP, Nozzle and Pipings



FIP, Nozzle and Pipings

M&M Part Number	Ref.	Description of Part	Unit Quantity		Remarks / Service Bulletin No.
			6565 4WD	6565 2WD	
000020308E05	33	BOLT Flanged M8	1	1	
006000905F1	34	FIP	1	1	
006002848F91	35	HIGH PRESSURE Pipe Set	1	1	
000022206RD	36	BOLT M6 x 16	1	1	
000022201RD	37	HPP CLAMP Top	1	1	
000022202RD	38	HPP CLAMP Bottom	1	1	
001233808R1	39	SPRING WASHER M6	1	1	
001233807R1	40	NUT	1	1	
000021354E08	41	FUEL FILTER	1	1	
006002640F1	42	PIPE - Tank to Filter	1	1	
000020695E05	43	WASHER Plain M12	2	2	
000030184R1	44	WASHER Plain	1	1	

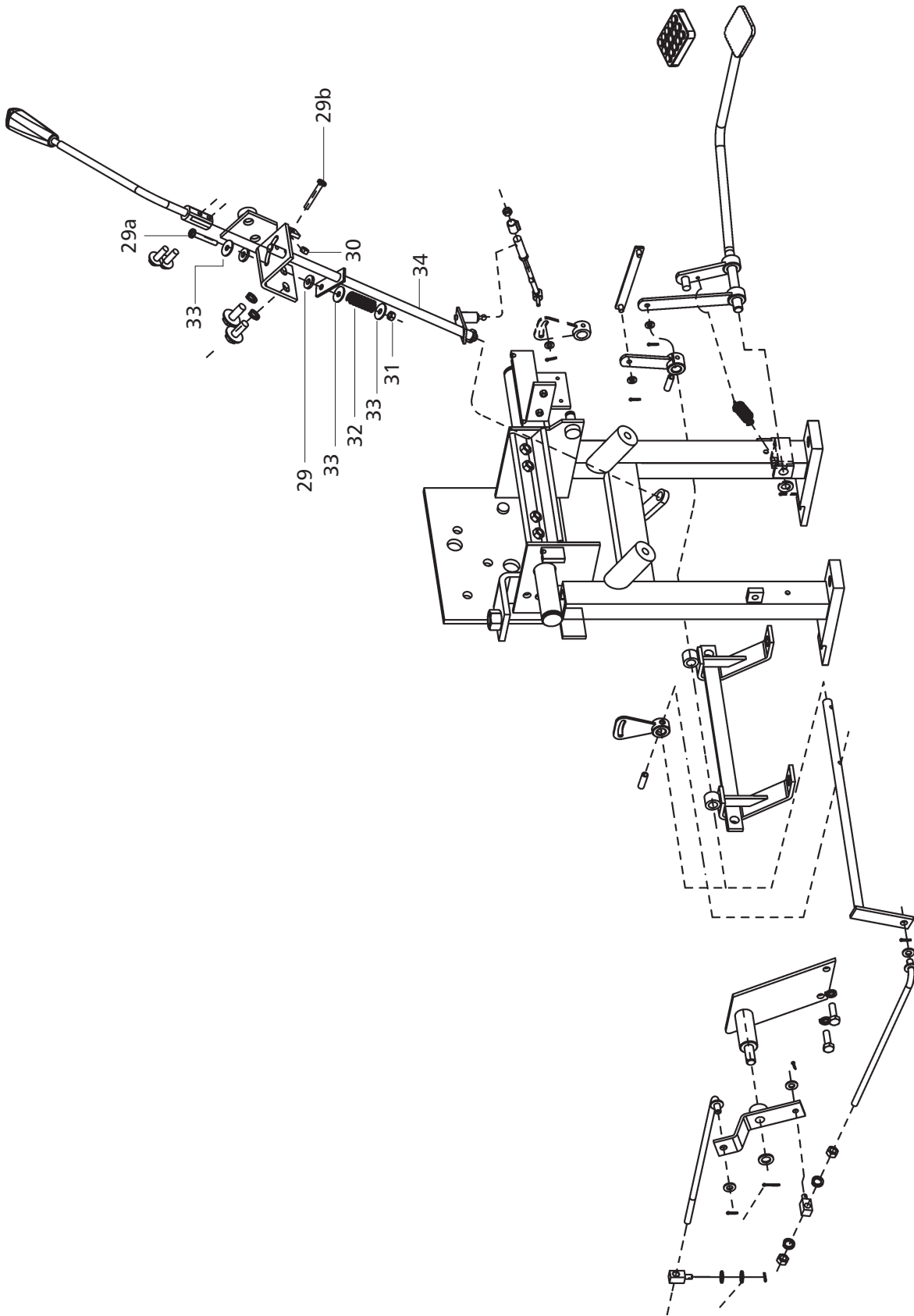
Hand and Foot Accelerator



Hand and Foot Accelerator

M&M Part Number	Ref.	Description of Part	Unit Quantity		Remarks / Service Bulletin No.
			6565 4WD	6565 2WD	
007600267D1	1	LEVER Hand Accelerator	1	1	
000020818E05	2	BOLT Flanged M6 X 30 Full Threaded	2	2	
000446161	3	WASHER Plain .218 x .437 x .036	1	1	
000446161	3	WASHER Plain .218 x .437 x .036	5	5	
000934309R1	4	WASHER Spring Lock M8	7	7	
000934309R1	4	WASHER Spring Lock M8	4	4	
000020309E05	4a	BOLT Flanged Hex. M8 x 25	2	2	
000103361	5	PIN Cotter 1/16 x 1/2	5	5	
007600269D1	6	BRACKET Hand Accelerator	1	1	
007600930D1	7	KNOB Hand Accelerator	1	1	
005550498R1	8	SPRING for Short Link end	1	1	
007601749C91	9	CONTROL ROD Asly Control to x SFT	1	1	
007600787D1	10	RUBBER COVER Foot Accelerator	3	3	
007602293D1	11	BRACKET Foot Accelerator	1	1	
007600262D1	12	CROSS-SHAFT Foot Accelerator	1	1	
007600263D1	13	CONNECTING LINK Cpte	1	1	
000012754P04	14	SPRING DOWEL SLEEVE Heavy 4 x 25	2	2	
007600270D1	15	SLOTTED LINK Hand Accelerator	1	1	
007600264D1	16	PULL LINK Foot Accelerator	1	1	
007600265D1	17	LINK Foot Accelerator	1	1	
007600266D1	18	PEDAL Accelerator Cpte	1	1	
007600657D1	19	ROD Foot Accelerator	2	2	
007600658D1	20	MID LINK Foot Accelerator	1	1	
007600659D1	21	BRACKET Foot Accelerator	1	1	
000020307E05	22	BOLT Flanged Hex. Head M8 x 1.25 x 20	2	2	
000103373	23	PIN Cotter 3/32 x 3/4	4	4	
007500059C1	24	PIVOT Governor Control Rod	2	2	
000012764P04	25	WASHER Plain 12 dia	2	2	
007600359D1	26	SPRING Foot Accelerator	1	1	
005553017R1	27	NUT M8 x 1.25 69 06 08 04	2	2	
000020249E05	28	WASHER Plain - A8.4 DIN 125	2	2	
000704681R2	29	WASHER FRICTION Governor Control	2	2	

Hand and Foot Accelerator



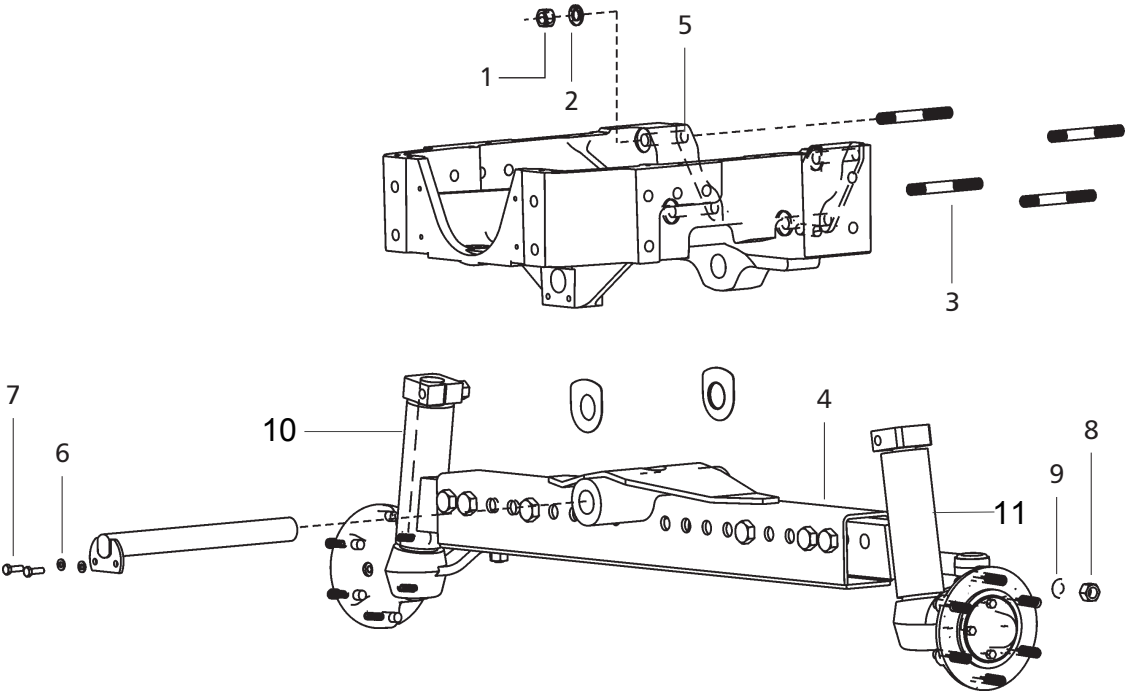
Hand and Foot Accelerator

M&M Part Number	Ref.	Description of Part	Unit Quantity		Remarks / Service Bulletin No.
			6565 4WD	6565 2WD	
000225507	29a	SCREW 1/4" UNF x 1-3/4	1	1	
000020755E05	29b	BOLT M6 x 1.0 x 40	1	1	
001233807R1	30	NUT Hex M 6 x 1 Zinc Plated	1	1	
001121174R1	31	NUT Nylock 1/4 UNF	1	1	
003047323R1	32	SPRING FRICTION Governor Control	1	1	
003047325R1	33	WASHER Governor Control	3	3	
007600268D1	34	ROD for Hand Accelerator Lever	1	1	

FRONT AXLE & WEIGHTS

FRONT AXLE & SUPPORT - 6565 2WD

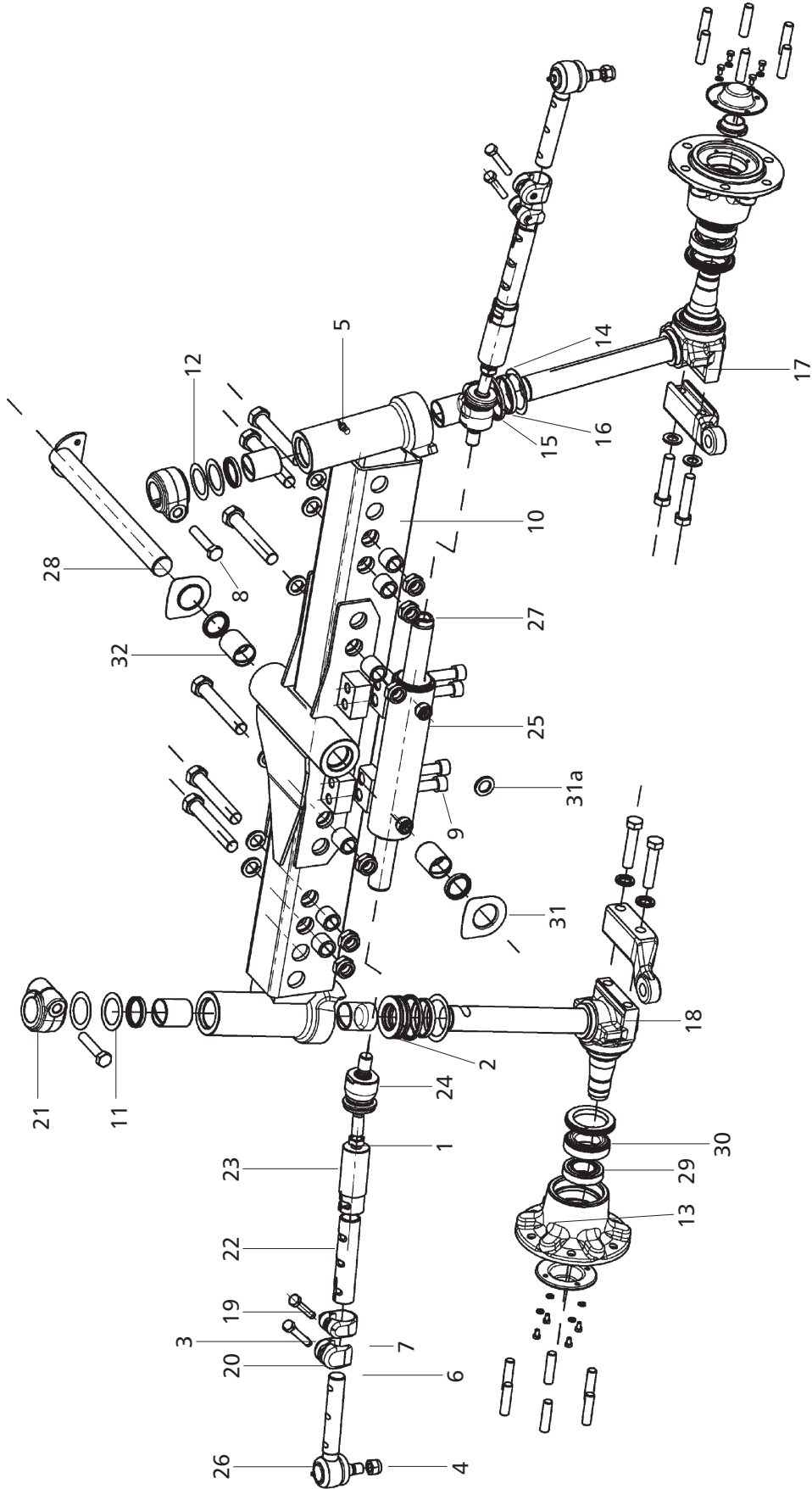
Support Front Axle - 6565 2WD



Support Front Axle - 6565 2WD

M&M Part Number	Ref.	Description of Part	Unit Quantity		Remarks / Service Bulletin No.
			6565 4WD	6565 2WD	
000012653P04	1	NUT M16 x 2	-	4	
005556521R1	2	WASHER Spring Lock M16	-	4	
007601785D1	3	STUD M16 x 2 x 110	-	4	
E000012636P04	4	FRONT AXLE Cpte. - Integrated Cyl.	-	1	
007903620C1	10	▶ FRONT Axle Extension LH		1	
007903619C1	11	▶ FRONT Axle Extension RH		1	
E007602541D1	5	FRONT AXLE Support - 2WD	-	1	
000020249E05	6	WASHER Spring M8	-	2	
000020309E05	7	SCREW Hex. M8	-	2	
000013119P04	8	NUT M14 x 1.5	-	12	
000013120P04	9	WASHER Spring M14	-	12	

Front Axle - 6565 2WD



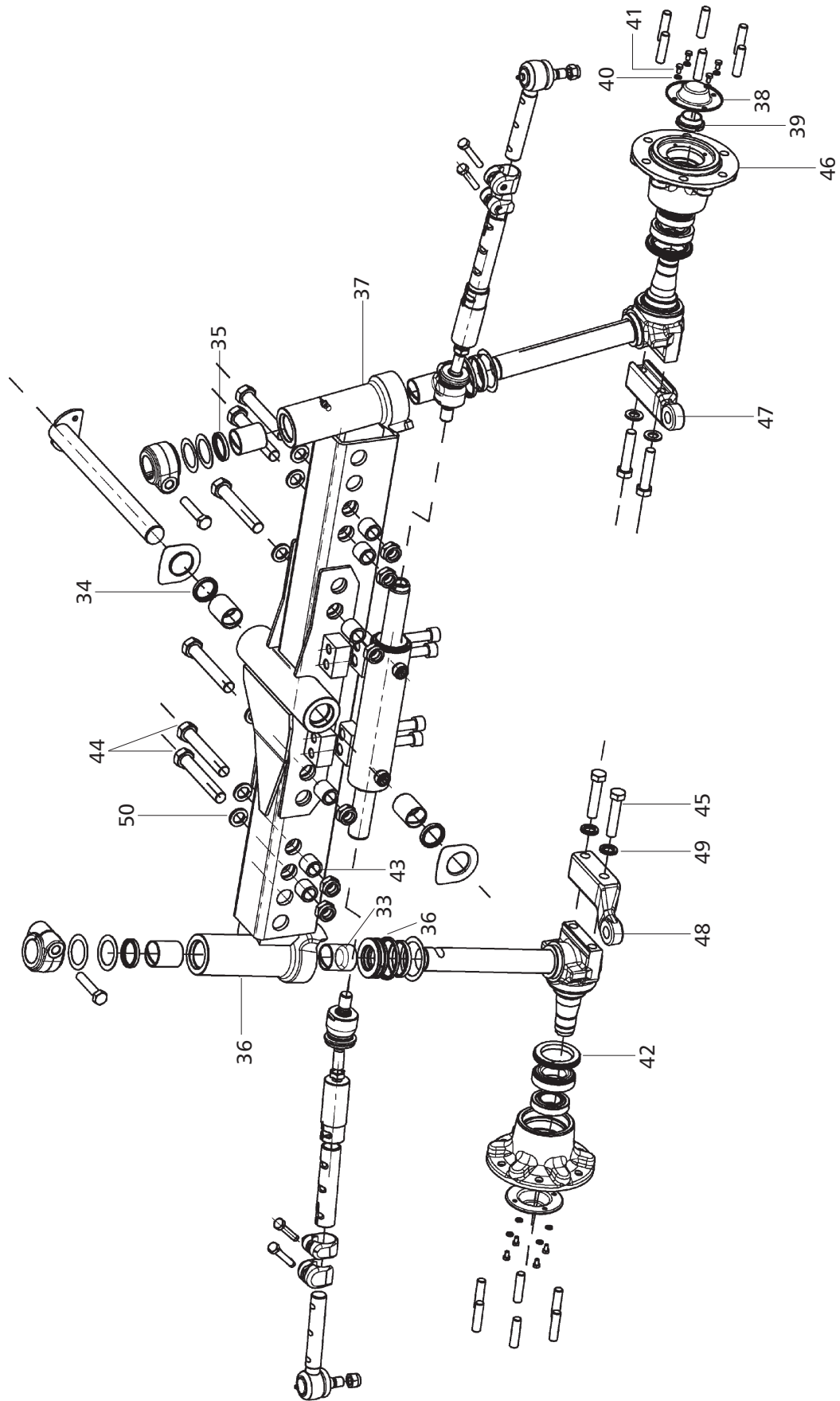
Front Axle - 6565 2WD

M&M Part Number	Ref.	Description of Part	Unit Quantity		Remarks / Service Bulletin No.
			6565 4WD	6565 2WD	
E000012636P04	*	FRONT AXLE Complete (Consisting of Ref. 1-50)			
007601979D1	1	NUT M18 x 1.5	-	2	
007601980D1	2	THRUST Ball Bearing	-	2	
007601981D1	3	M10-6.6	-	4	
007601982D1	4	M14-5.5 2	-	2	
007601983D1	5	AM10 x 1-5.5	-	2	
007601984D1	6	M10 x 8.8	-	2	
007601985D1	7	M10 x 60-8.8	-	2	
007601986D1	8	M14 x 1.5 x 70-10.9	-	2	
007601987D1	9	M16 x 1.5 x 50-10.9	-	4	
‡	10	MAIN BEAM Assy.	-	1	
007601989D1	11	WASHER 42 x 60 x 1	-	2	
007601990D1	12	WASHER 42 x 60 x 0.5	-	2	
007601991D1	13	WHEEL Hub Assy.	-	2	
007601992D1	14	WASHER	-	2	
007601993D1	15	KING Pin Bottom Seal 3 LIP	-	2	
007601994D1	16	SPACER	-	2	
007601995D1	17	STEERING Knuckle RH Assy.	-	1	
007601996D1	18	STEERING Knuckle LH Assy.	-	1	
007602028D1	19	LOCKER	-	2	
007601997D1	20	LOCKER	-	2	
007601998D1	21	LOCKER	-	2	
007601999D1	22	INSIDE TUBE Tie Rod	-	2	
007602000D1	23	OUTER TUBE Tie Rod	-	2	
007602001D1	24	AXIAL Ball Joint	-	2	
007602002D1	25	STEERING Cylinder	-	1	
007602003D1	26	TIE ROD Assy.	-	2	
007602004D1	27	STEERING Cylinder Ball Joint Assy.	-	1	
007602005D1	28	PIVOT PIN	-	1	
007602006D1	29	BEARING LM501349/10	-	2	
007602007D1	30	BEARING LM48548/10	-	2	
007602008D1	31	WASHER Thrust	-	2	
007602617D1	31a	WASHER Thrust 1.5 Thick	-	1	
007602009D1	32	BUSH 35 x 39 x 50	-	2	

* Part Not Illustrated

‡ Not Serviceable Separately

Front Axle - 6565 2WD



Front Axle - 6565 2WD

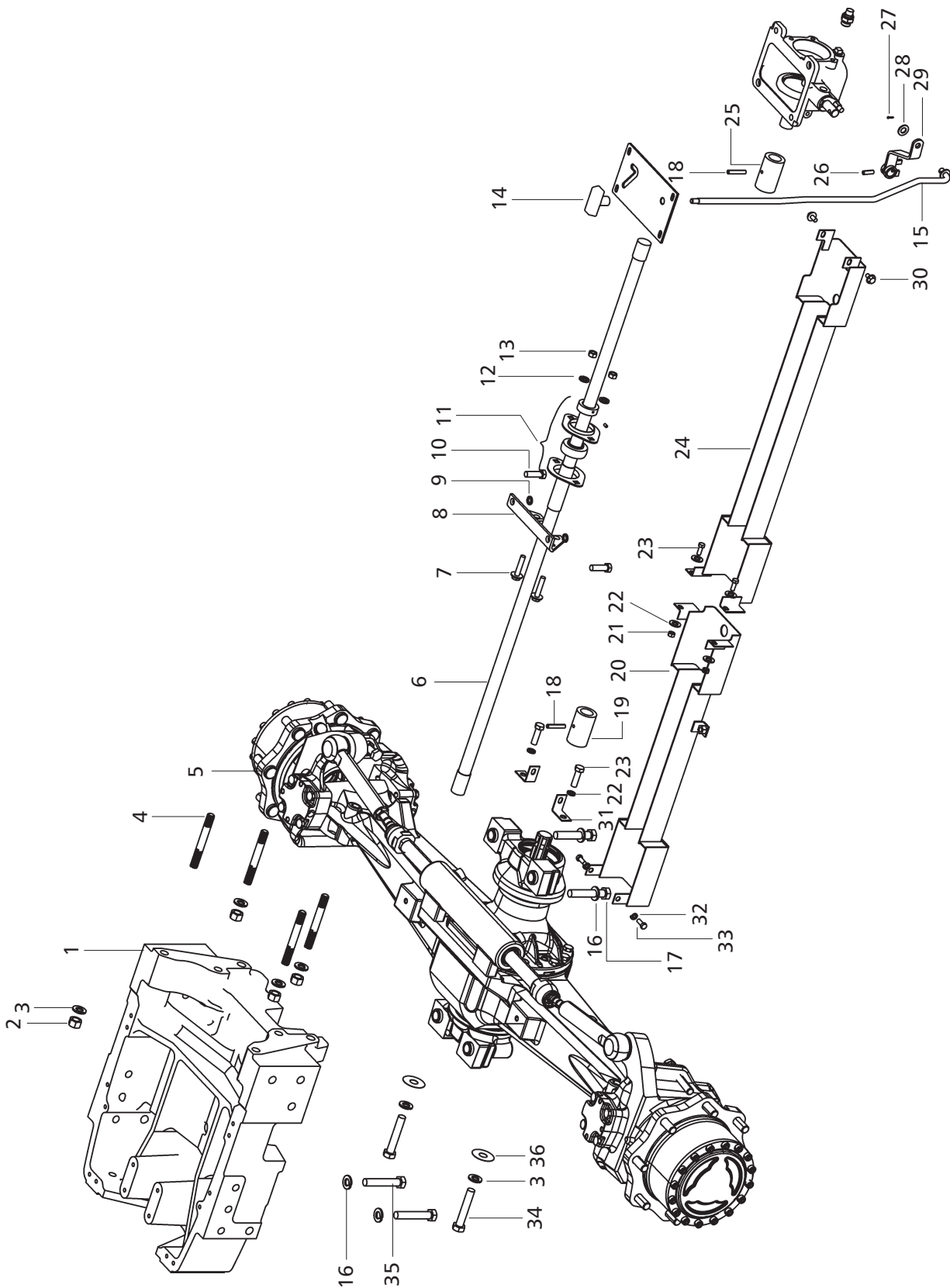
M&M Part Number	Ref.	Description of Part	Unit Quantity		Remarks / Service Bulletin No.
			6565 4WD	6565 2WD	
007602010D1	33	BUSH 40 x 44 x 50	-	4	
007602011D1	34	WIPER Seal Center Pivot 3 LIP	-	2	
007602012D1	35	KING Pin Top Seal 3 LIP	-	2	
‡	36	EXTENSION ASSY. LH	-	1	
‡	37	EXTENSION ASSY. RH	-	1	
007602015D1	38	HUB COVER	-	2	
007602016D1	39	NUT Ring M33 x 1.5	-	2	
007602017D1	40	WASHER Spring	-	8	
007602018D1	41	BOLT Hex. M6 x 20.5 x 33	-	8	
007602019D1	42	CASSET SEAL	-	2	
007602020D1	43	SPACER 30 x 20.5 x 33	-	6	
007602021D1	44	M20 x 1.5 x 130 - 10.9 DIN 960	-	6	
007602022D1	45	BOLT Hex. M16 x 1.5 x 75 L DIN 960	-	4	
007602023D1	46	WHEEL HUB	-	2	
007602024D1	47	STEERING LEVER LH	-	1	
007602025D1	48	STEERING LEVER RH	-	1	
007602026D1	49	SPACER	-	4	
007602027D1	50	WASHER Spring	-	6	

‡ Not Serviceable Separately

FRONT AXLE & SUPPORT - 6565 4WD

(DANA)

Front Axle Support and Drive

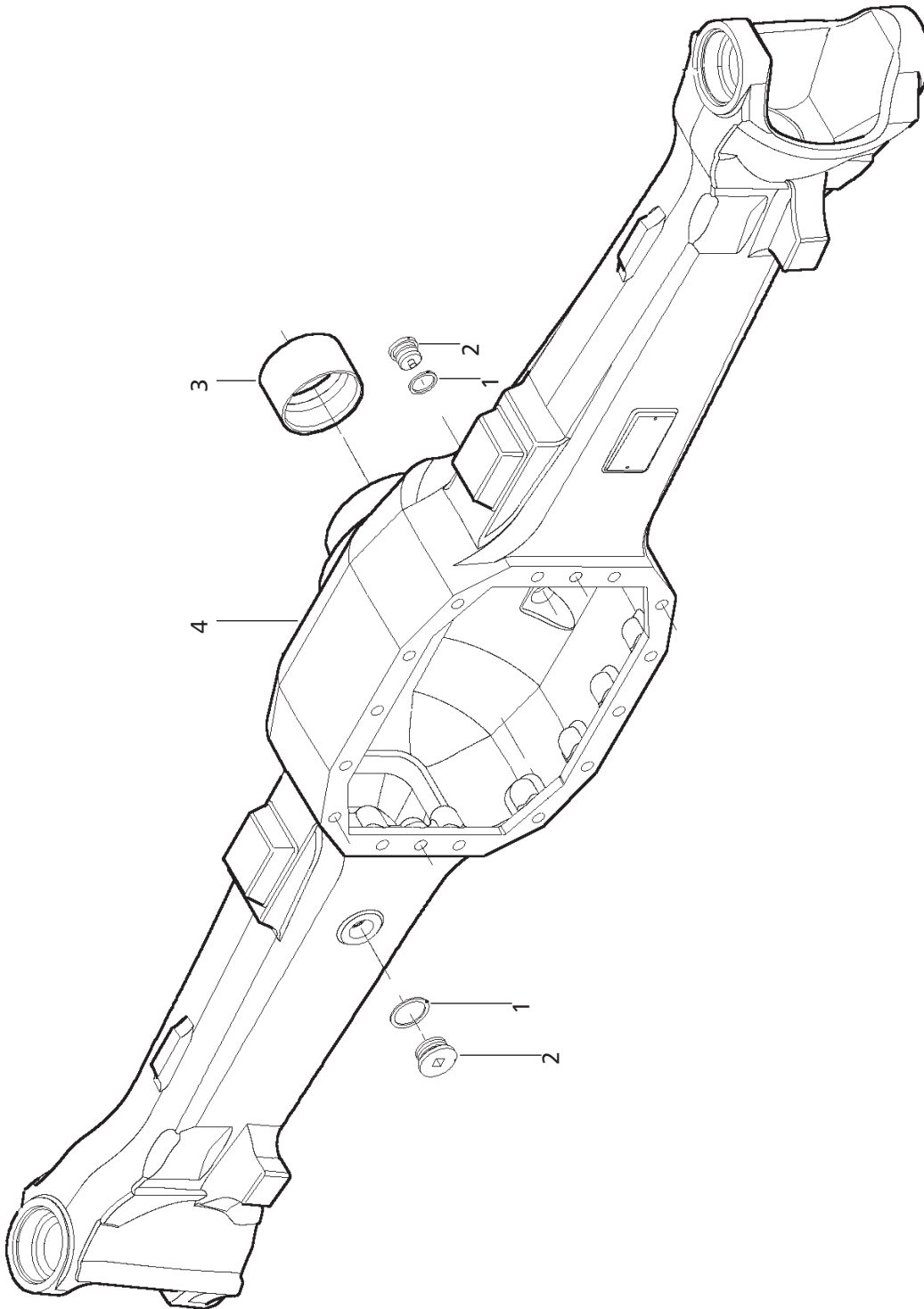


DANA

Front Axle Support and Drive

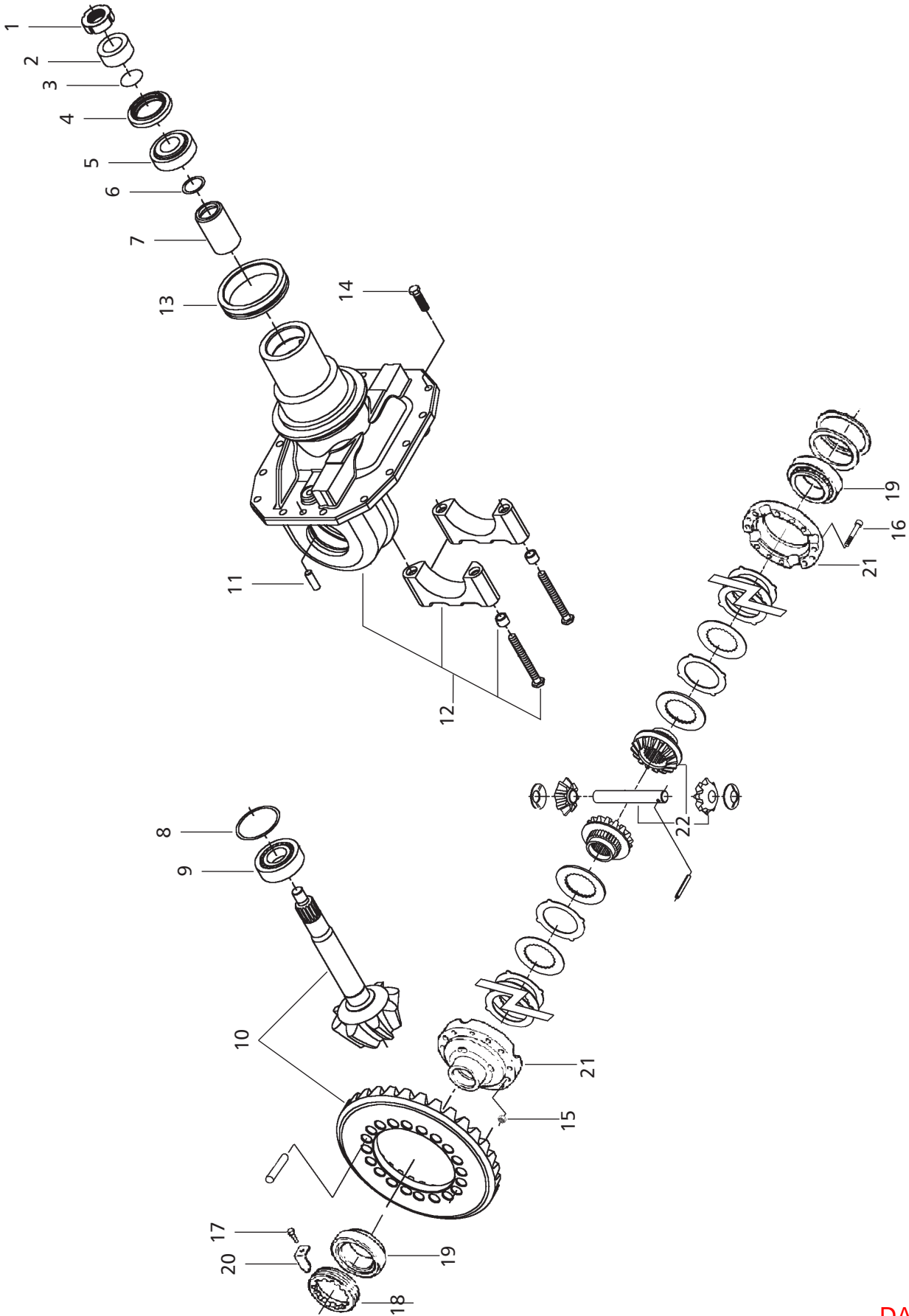
M&M Part Number	Ref.	Description of Part	Unit Quantity		Remarks / Service Bulletin No.
			6565 4WD	6565 2WD	
007602671 D1	1	SUPPORT Front Axle	1	–	
000012653 P04	2	NUT M16 x 2	4		
005556521 R1	3	WASHER Spring Lock M16	6		
007601785 D1	4	STUD M16 x 2 x 105	4		
006504142 C91	5	AXLE Front Drive DANA LIM SLIP	1		
007602658 D1	6	PROPELLER Shaft	1		
000020313 E05	7	BOLT Flanged Hex. Head M10 x 1.5 x 25	2		
006502894 C1	8	BRACKET Intermediate Bearing Support	1		
005550700 R1	9	WASHER Spring Lock M12	1		
000011104 P03	10	BOLT M12 x 25	2		
006500998 C1	11	BEARING Intermediate Support	1		
005555988 R1	12	WASHER M10 Spring Lock	2		
005554365 R1	13	NUT M10 x 1.5	2		
007600472 D1	14	KNOB 4WD	1		
007600470 D1	15	LEVER 4WD	1		
005555990 R1	16	WASHER Spring Lock 3/4"	4		
007602656 D1	17	BOLT Rear Pillow Block	2		
000010778 P03	18	ROLL PIN 8 x 45	2		
006503468C1	19	SLEEVE Axle Side P/N 127489	1		
007600463 D11	20	COVER for propeller shaft (Axle End)	1		
005553017 R1	21	NUT M8 x 1.25 69 06 08 04	2		
000060686 M01	22	WASHER Plain	6		
000061276 M01	23	SCREW Hex.M8 x 25	5		
007600464 D11	24	COVER for Propeller Sft Drop Box End	1		
007600630 D1	25	SLEEVE Drop Box end	1		
000012508 P04	26	SPRING Dowel Sleeve Dia 8 x 28	1		
000103373	27	PIN Cotter 3/32 x 3/4	1		
000012764 P04	28	WASHER Plain 12 dia	1		
007600471 D1	29	END LINK 4WD	1		
000020308 E05	30	BOLT Flanged Hex. Head M8 x 1.25 x 16	2		
007600466 D1	31	BRACKET Propeller Sft Cvr to Pillow Block	2		
000934309 R1	32	WASHER M8 Spring Lock	4		
000061276 M01	33	SCREW Hex.M8 x 25	2		
000040341 C08	34	BOLT Hex Head M16 x 85	2		
007602657 D1	35	BOLT Front Pillow Block	2		
007600221 C1	36	SHIM	AR		

Central Housing



M&M Part Number	Ref.	Vendor Part No.	Description of Part	Unit Quantity	Remarks / Service Bulletin No.
				6565 4WD	
006506098 C1	1	3427185 M1	SEAL Washer	2	
006506099 C1	2	3429400 M1	PLUG	2	
006506100 C1	3	3428657 M3	BUSHING	1	
006506101 C1	4	3765981 M91	STEERING Axle Housing	1	

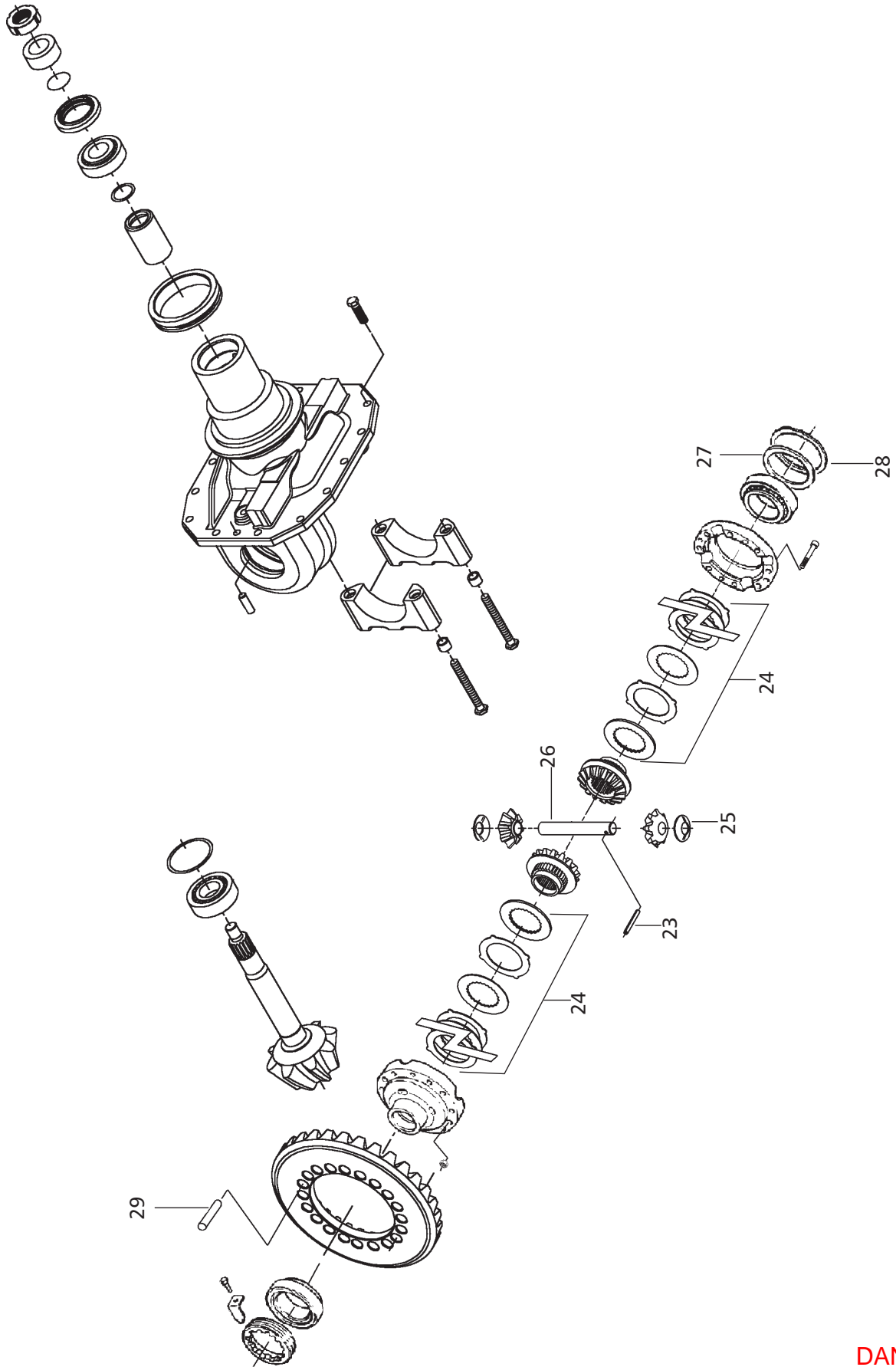
Differential



DANA

M&M Part Number	Ref.	Vendor Part No.	Description of Part	Unit Quantity	Remarks / Service Bulletin No.
				6565 4WD	
006506102C1	1	3426023 M1	NUT	1	
006506103C1	2	3429043 M1	SPACER	1	
006506104C1	3	366434 X1	'O' RING	1	
006506105C1	4	3428942 M1	SEAL	1	
006506106C1	5	339394 X1	BEARING	1	
006506107C1	6	3428289 M1	SHIM	1	
006506108C1	6	3428290 M1	SHIM	1	
006506109C1	6	3428291 M1	SHIM	1	
006506110C1	6	3428292 M1	SHIM	1	
006506111C1	6	3428293 M1	SHIM	1	
006506112C1	6	3428294 M1	SHIM	1	
006506113C1	7	3428900 M1	SPACER	1	
006506114C1	8	3428923 M1	SHIM	1	
006506115C1	8	3428924 M1	SHIM	1	
006506116C1	8	3428925 M1	SHIM	1	
006506117C1	8	3428926 M1	SHIM	1	
006506118C1	8	3428927 M1	SHIM	1	
006506119C1	8	3428928 M1	SHIM	1	
006506120C1	9	3765690 M1	BEARING	1	
006506843 D91	10	730.04.510.01	BEVEL Gear Set	1	
006506122C1	11	393596 X1	DOWEL	2	
006506123C91	12	730.04.719.01	SUPPORT	1	
006506124C1	13	3764140 M2	FLANGE	1	
006506125C1	14	3428397 M1	BOLT	12	
006506126C1	15	3019947 X1	NUT	12	
006506127C1	16	016.03.3134	BOLT	12	
006506128C1	17	1444071 X1	BOLT	1	
006506129C1	18	730.04.051.01	RING Nut	1	
006506130C1	19	391339 X1	BEARING	2	
006506131C1	20	3427466 M1	SHEET	1	
006506132C91	21	730.04.720.01	DIFFERENTIAL Carrier	1	
006506133C91	22	730.04.721.01	GEAR	1	

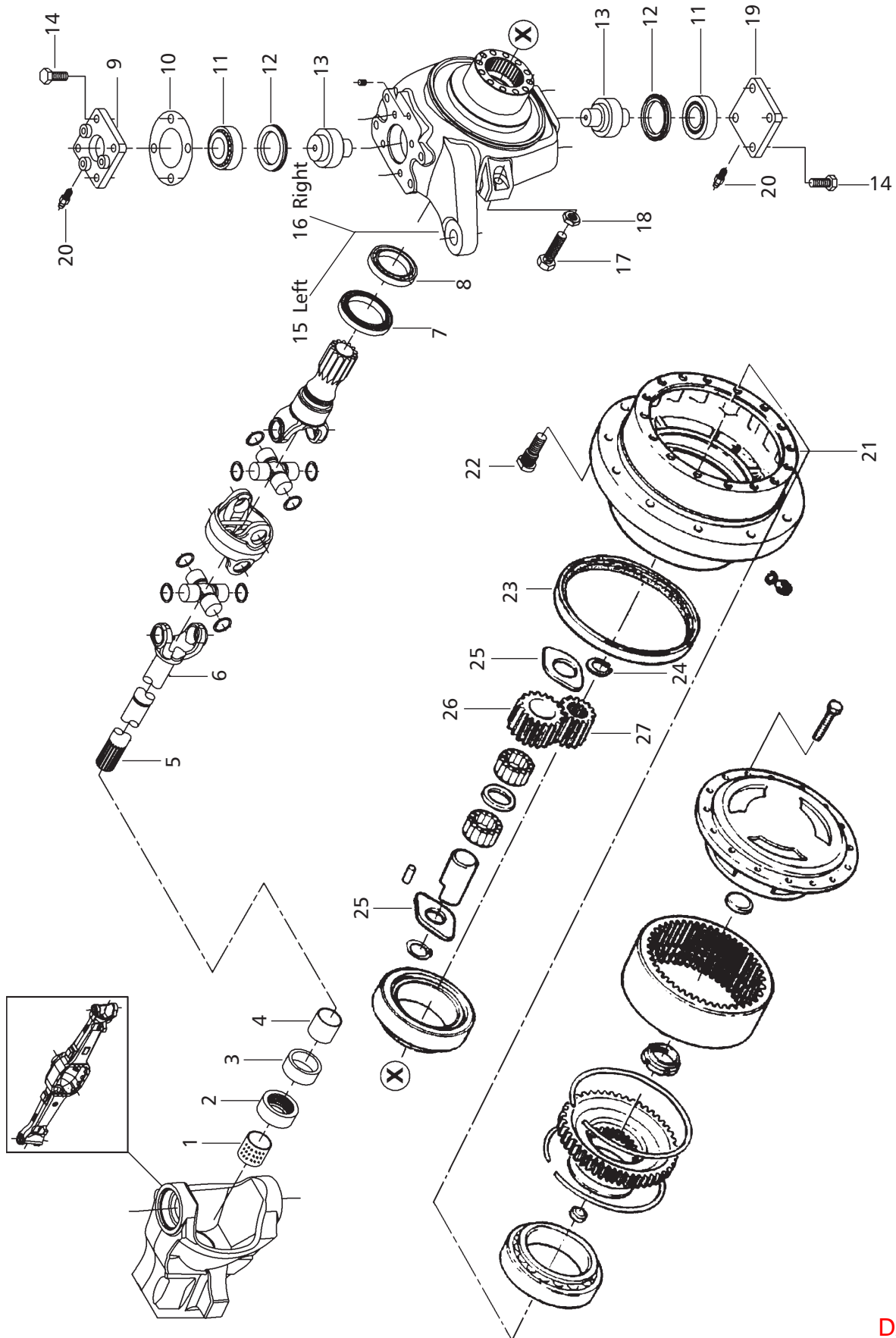
Differential



DANA

M&M Part Number	Ref.	Vendor Part No.	Description of Part	Unit Quantity		Remarks / Service Bulletin No.
				6565	4WD	
006506134C1	23	014.03.0743	ROLL Pin	1		
006506135C91	24	750.04.602.01	DISC	2		
006506136C1	25	750.04.006.01	FRICTION Washer	2		
006506137C1	26	730.04.005.01	DIFFERENTIAL Shaft	1		
006506138C1	27	3427281 M1	SHIM	1		
006506139C1	27	3427282 M1	SHIM	1		
006506140C1	27	3427283 M1	SHIM	1		
006506141C1	27	3427284 M1	SHIM	1		
006506143C1	27	3427285 M1	SHIM	1		
006506144C1	27	3427286 M1	SHIM	1		
006506145C1	28	3427079 M1	SPACER	1		
006506146C1	29	3764700 M1	DOWEL	2		

Hub Reduction

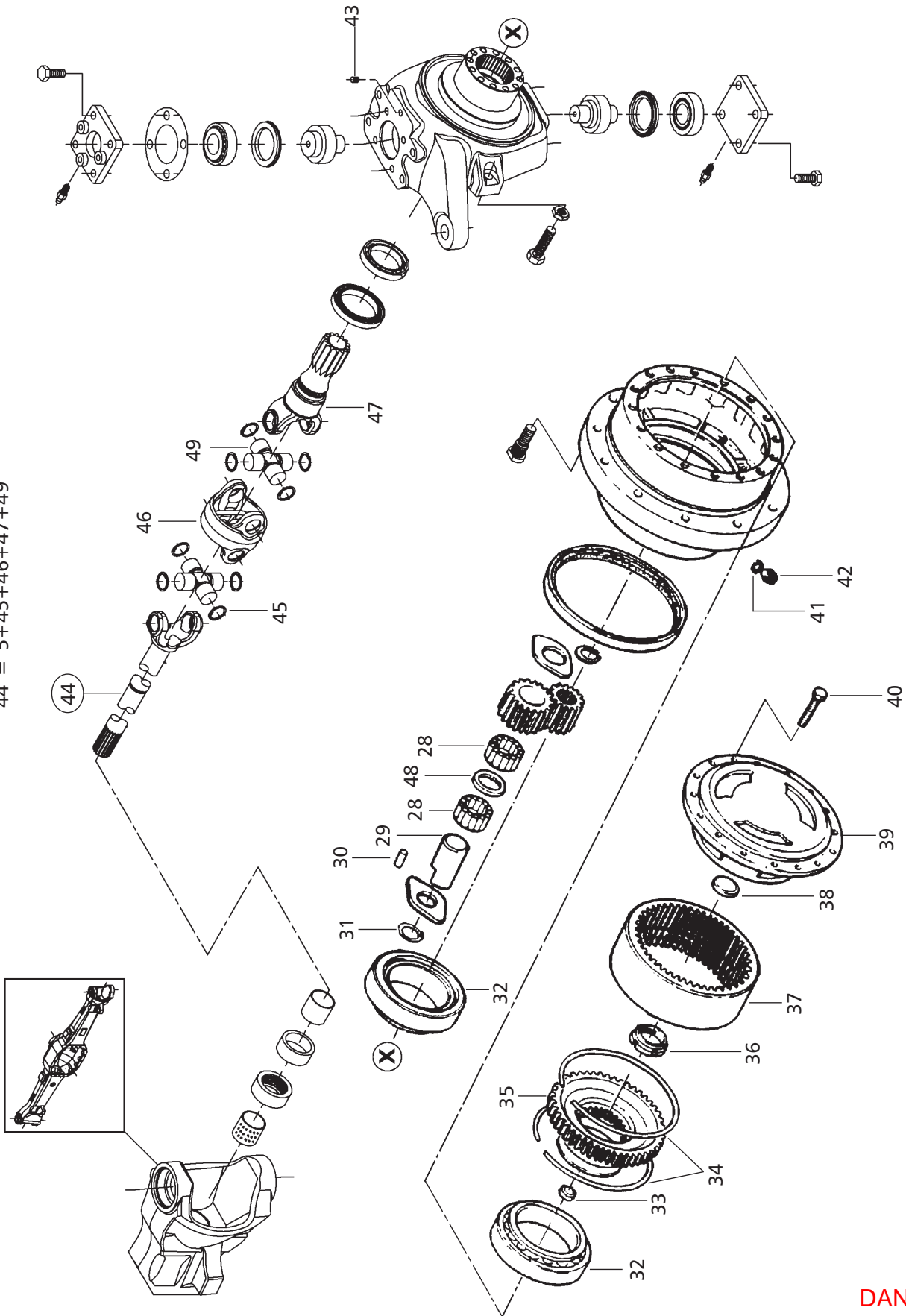


DANA

M&M Part Number	Ref.	Vendor Part No.	Description of Part	Unit Quantity	Remarks / Service Bulletin No.
				6565 4WD	
006506153C1	1	3426938 M1	BUSHING	2	
006506154C1	2	760.01.005.01	SEAL	2	
006506155C1	3	3428090 M1	RING	2	
006506156C1	4	139355	REDUCTION Bushing	2	
006506157C1	5	3765985 M1	HALF SHAFT Differential Side	1	
006506158C1	6	3765988 M1	HALF SHAFT Differential Side	1	
006506159C1	7	730.06.049.01	SEAL	2	
006506160C1	8	390984 X1	BEARING	2	
006506161C1	9	3429321 M1	COVER	2	
006506162C1	10	3426230 M1	SHIM	1	
006506163C1	10	3426231 M1	SHIM	1	
006506164C1	10	3426232 M1	SHIM	1	
006506165C1	10	3426233 M1	SHIM	1	
006506166C1	10	3426234 M1	SHIM	1	
006506167C1	11	338511 X1	BEARING	4	
006506168C1	11	338512 X1	BEARING	4	
006506169C1	12	3429317 M1	SEAL	4	
006506170C1	13	3429319 M1	PIVOT Pin	4	
006506171C1	14	3428397 M1	BOLT	16	
006506172C1	15	3765754 M1	STEERING Case	1	
006506173C1	16	3765753 M1	STEERING Case	1	
006506174C1	17	3428648 M1	BOLT	2	
006506175C1	18	3764827 M1	NUT	2	
006506176C1	19	3429323 M1	COVER	2	
006506177C1	20	339003 X1	GREASE Fitting	4	
006506178C1	21	3766340 M1	WHEEL Hub	2	
006506179C1	22	3428238 M3	WHEEL Stud	16	
006506180C1	23	730.06.050.01	SEAL	2	
006506181C1	24	002.01.0068	CIRCLIP	2	
006506182C1	25	3429350 M1	FRICION Washer	12	
006506183C1	26	3429984 M1	PLANET Gear	6	
006506184C1	27	3429983 M1	PINION	2	

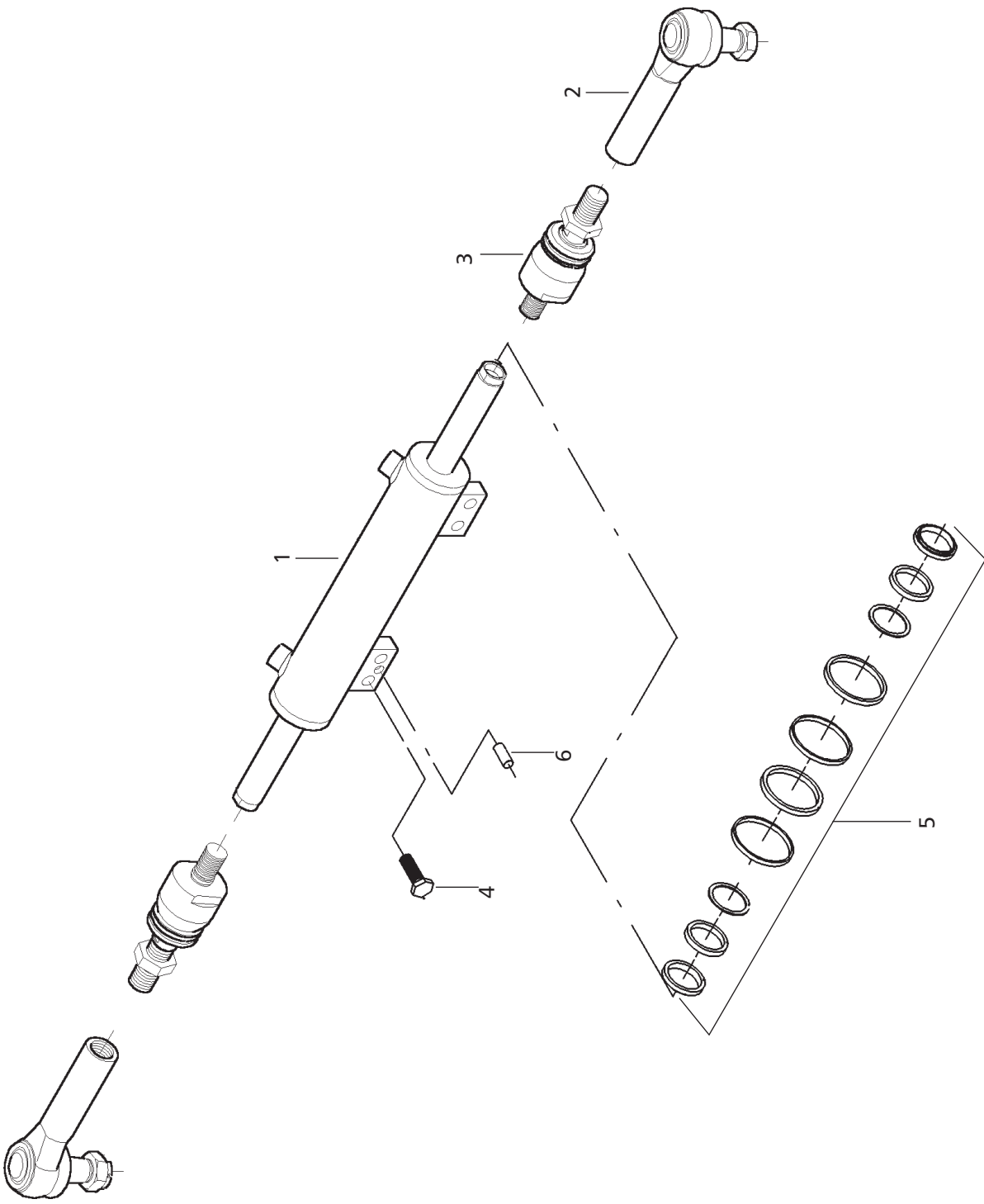
Hub Reduction

44 = 5+45+46+47+49



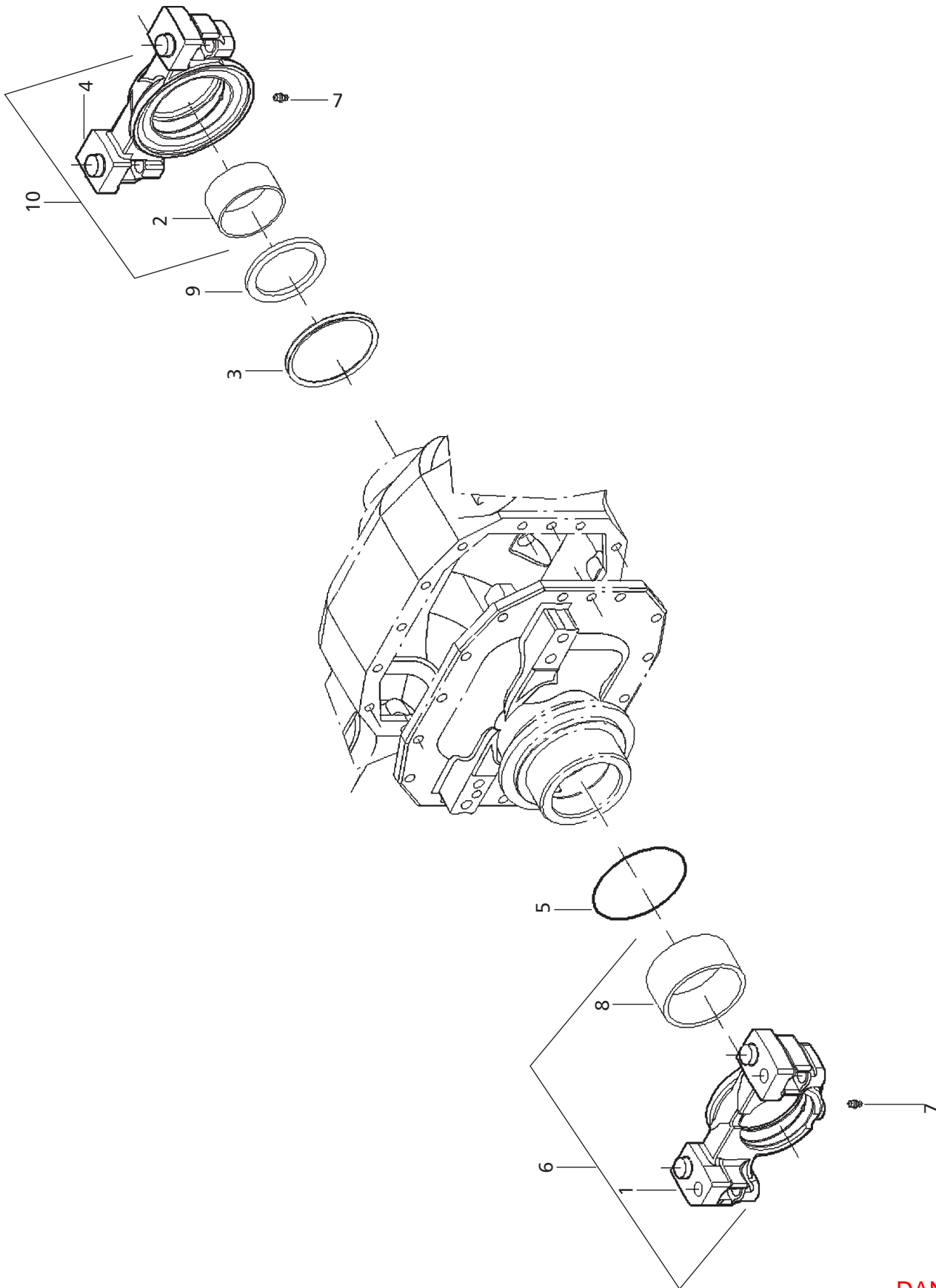
DANA

M&M Part Number	Ref.	Vendor Part No.	Description of Part	Unit Quantity	Remarks / Service Bulletin No.
				6565 4WD	
006506185C1	28	3426852 M3	ROLLER	2	
006506186C1	29	3765178 M1	PIN	6	
006506187C1	30	3764823 M1	ROLLER	6	
006506188C1	31	3765179 M2	CIRCLIP	6	
006506189C1	32	3426850 M2	BEARING	4	
006506190C1	33	3428535 M1	FRICION Washer	2	
006506191C1	34	3428523 M1	CIRCLIP	4	
006506192C1	35	730.06.048.01	RING Gear Support	2	
006506193C1	36	3429497 M1	RING Nut	2	
006506194C1	37	3764515 M1	RING Gear	2	
006506195C1	38	3426771 M1	FRICION Washer	2	
006506196C1	39	3766339 M1	PLANET Gear Carrier	2	
006506197C1	40	1440965 X1	CYLINDER Bolt	32	
006506198C1	41	3427185 M1	SEAL Washer	2	
006506199C1	42	3429400 M1	PLUG	2	
006506200C1	43	1442560 X1	PLUG	2	
006506201C1	44	730.06.637.01	JOINT	2	
006506202C1	45	3429449 X1	CIRCLIP	8	
006506203C1	46	3429435 M1	JOINT Centre Section	1	
006506204C1	46	3765114 M1	JOINT Centre Section	1	
006506205C1	47	3765990 M1	HALF SHAFT	1	
006506206C1	47	3765993 M1	HALF SHAFT	1	
006506207C1	48	730.06.047.01	SPACER	6	
006506208C1	49	3429436 M1	JOINT Cross	2	
006506209C1	49	3765113 M1	JOINT Cross	2	



M&M Part Number	Ref.	Vendor Part No.	Description of Part	Unit Quantity		Remarks / Service Bulletin No.
				6565 4WD		
006506210C1	1	730.24.642.01	CYLINDER		1	
006506211C1	2	730.24.644.01	TRACTION Rod		2	
006506212C1	3	730.24.643.01	ARTICULATION		2	
006506213C1	4	3764202 M1	BOLT		4	
006506214C91	5	730.24.450.25	SEALS Kit		1	

Trunnion

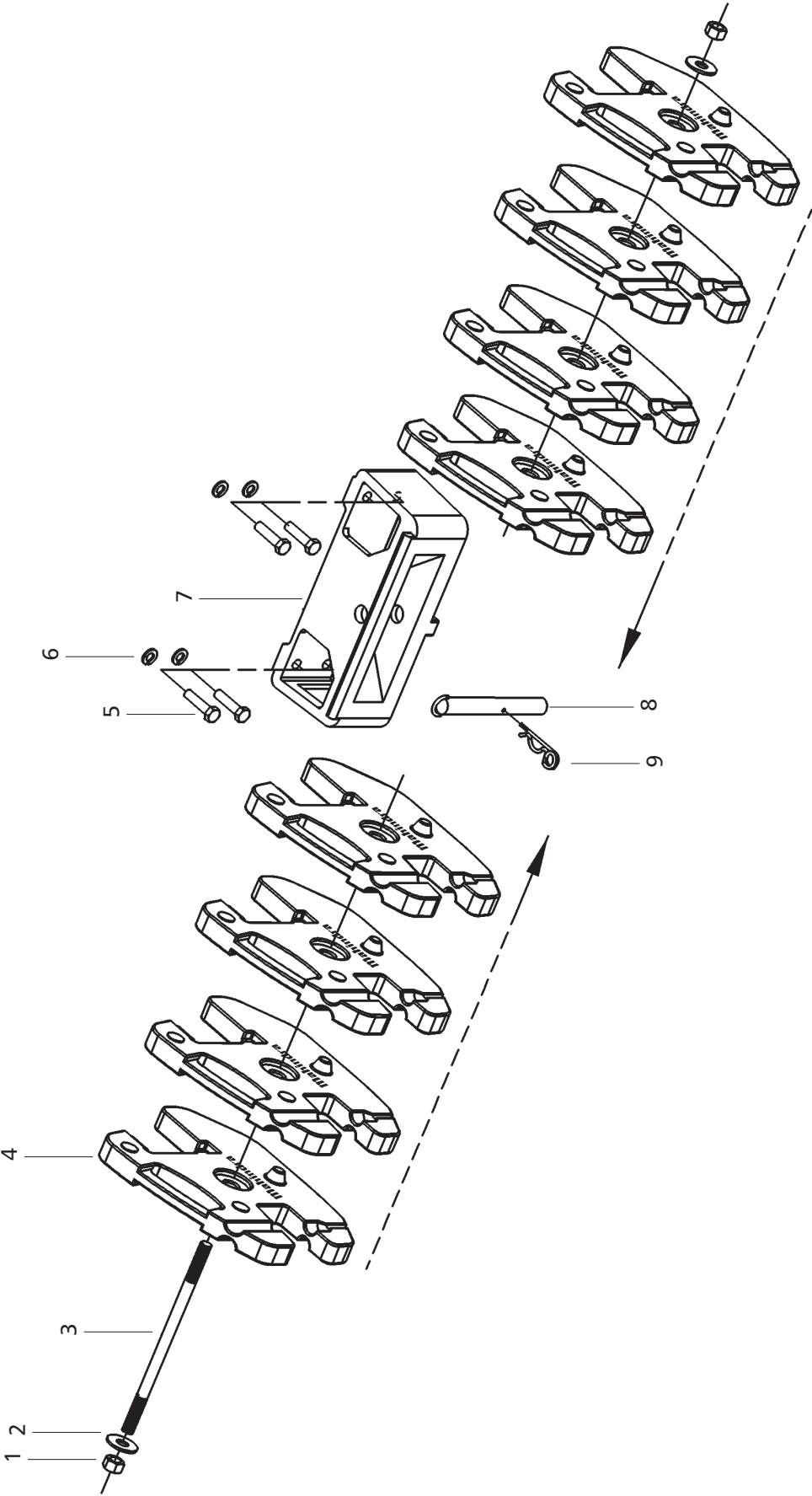


DANA

M&M Part Number	Ref.	Vendor Part No.	Description of Part	Unit Quantity	Remarks / Service Bulletin No.
				6565 4WD	
006506215C1	1	730.25.012.01	SUPPORT	1	
006506216C1	2	730.25.013.01	THRUST Bushing	1	
006506217C1	3	001.11.3813	RING	1	
006506218C1	4	730.25.011.01	SUPPORT	1	
006506219C1	5	001.05.3974	'O' RING	1	
006506220C91	6	730.25.620.01	SUPPORT	1	
006506221C1	7	008.01.0213	GREASE Fitting	1	
006506222C1	8	730.25.014.01	THRUST Bushing	1	
006506223C1	9	730.25.017.01	RING	1	
006506224C91	10	730.25.619.01	SUPPORT	1	

JERRICANE WEIGHTS

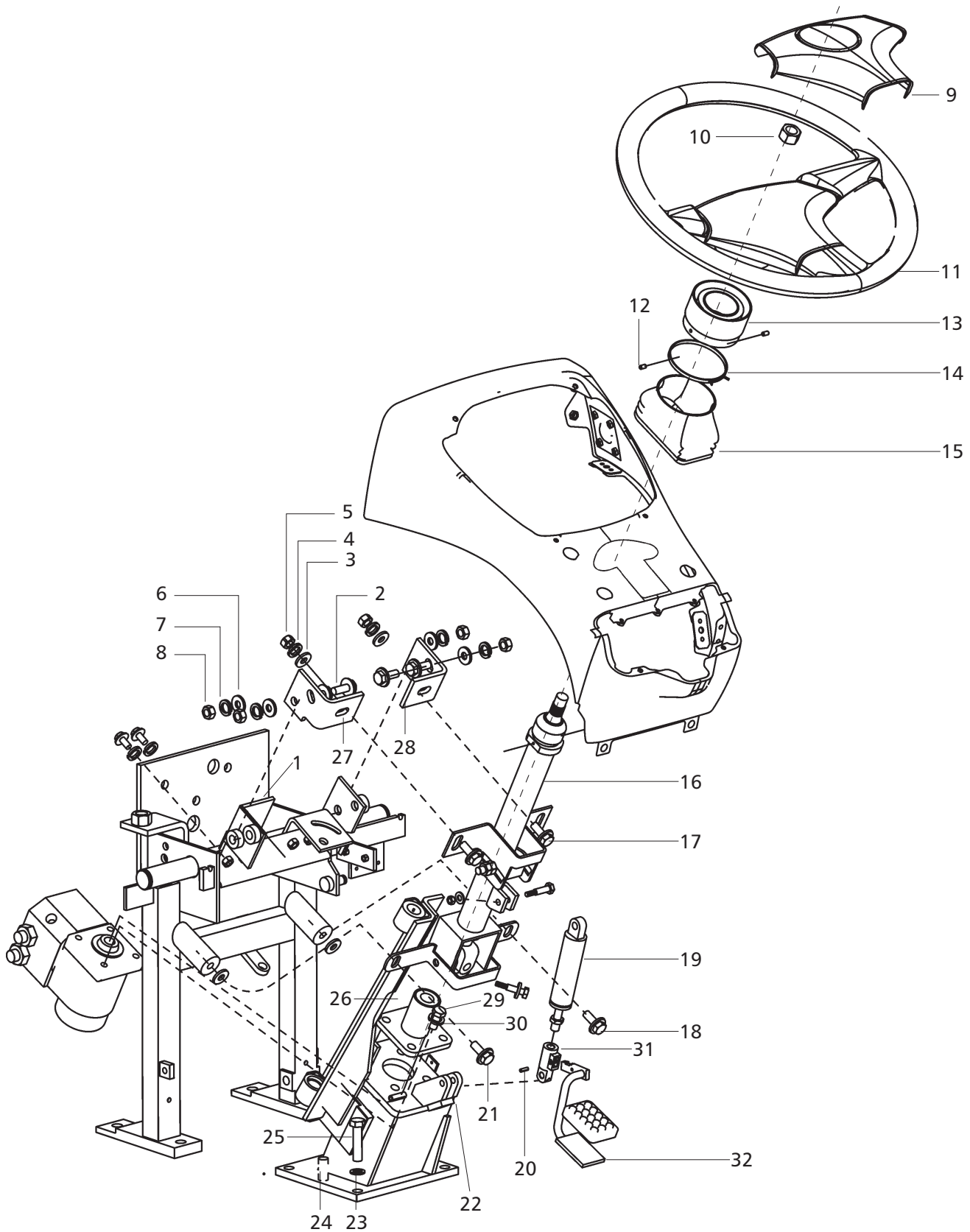
Jerrican Weights



M&M Part Number	Ref.	Description of Part	Unit Quantity		Remarks / Service Bulletin No.
			6565 4WD	6565 2WD	
007602308D91		FRONT END WEIGHTS Kit Consists of			
000040345C08	1	▶ NUT M20 x 2.5	2	2	
007900006D1	2	▶ WASHER Front Weight Mounting	2	2	
007900004D1	3	▶ STUD Front Weight Mounting	1	1	
007900001D1	4	▶ WEIGHT Front Ballast	8	8	
007900012D1	5	▶ BOLT Hex M16 x 2 x 50	4	4	
005556521R1	6	▶ WASHER Spring Lock M16	4	4	
007600109D1	7	▶ BRACKET Front Weight Ballast	1	1	
007900005D1	8	▶ PIN	1	1	
007900013D1	9	▶ SPRING COTTER 6.3	1	1	

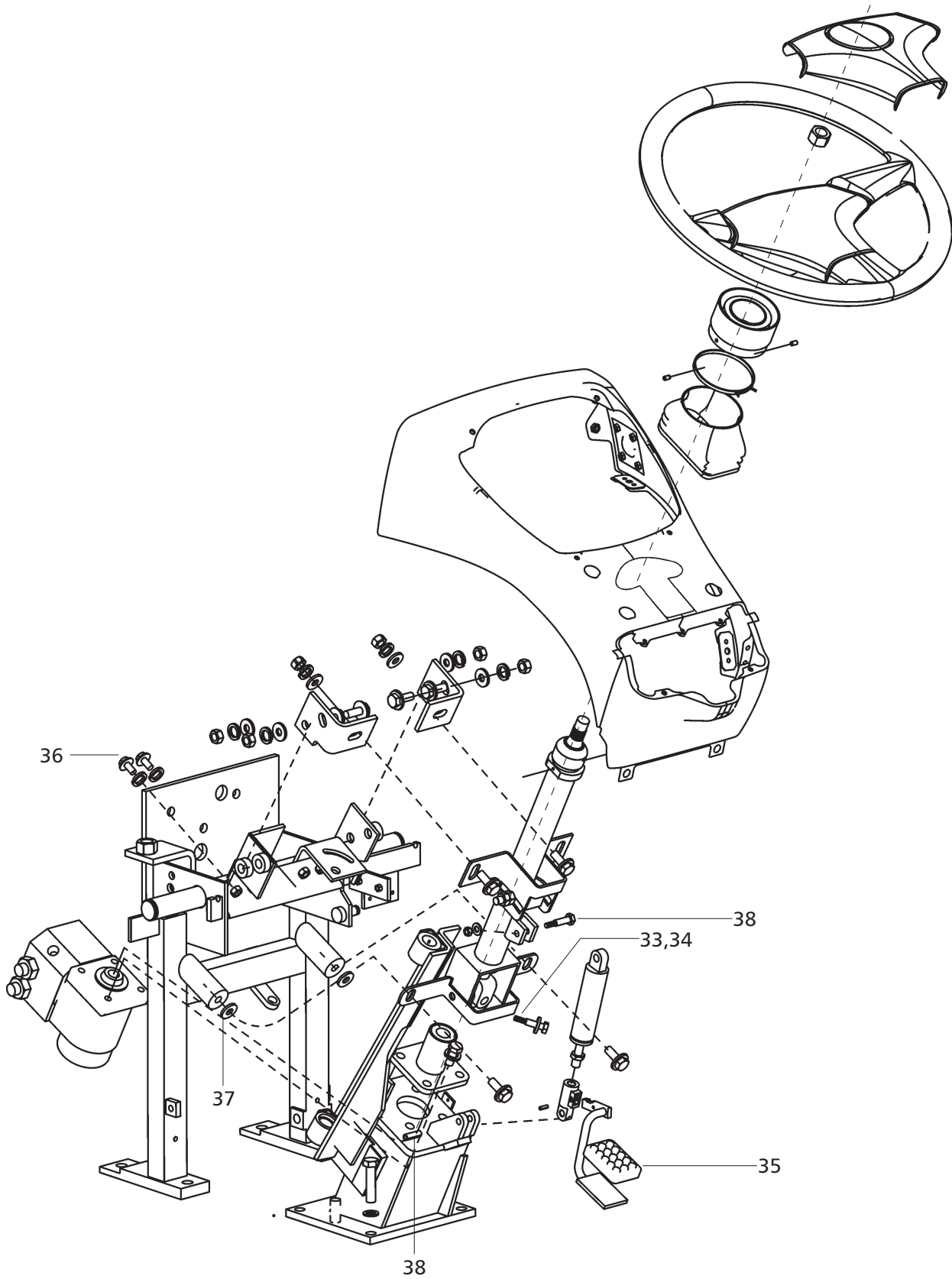
STEERING & LINKAGES

Wheel and Column



M&M Part Number	Ref.	Description of Part	Unit Quantity		Remarks / Service Bulletin No.
			6565 4WD	6565 2WD	
007601701D1	1	BRACKET F-R Shuttle linkage	1	1	
000020314E05	2	BOLT Flanged Hex. Head M10 x 1.5 x 35	4	4	
000022079RD	3	WASHER Plain	6	6	
005555988R1	4	WASHER M10 Spring Lock	2	2	
005554365R1	5	NUT M10 x 1.5	2	2	
000022079RD	6	WASHER Plain M 10	6	6	
005555988R1	7	WASHER M10 Spring Lock	4	4	
005554365R1	8	NUT M10 x 1.5	2	2	
007601752D1	9	TOP COVER Steering Wheel	1	1	
007603381D91	11	WHEEL Steering	1	1	
007601753D1	12	SCREW Steering Cup	1	1	
007900003D1	13	CUP Steering Wheel	1	1	
007601334D1	14	CLAMP Steering Boot	1	1	
007600103D1	15	RUBBER BOOT for Steering	1	1	
E007601291D91	16	UPPER COLUMN	1	1	
007601740D1	10	↳ NUT M16 x 1.5 (RNL No-B00302B)	1	1	
000020313E05	17	BOLT Flanged Hex. head M10 x 1.5 x 25	2	2	
000020313E05	18	BOLT Flanged Hex. head M10 x 1.5 x 25	1	1	
E007601618D91	19	GAS SPRING for Tilt Steering	1	1	
000012754P04	20	SPRING DOWEL SLEEVE Heavy 4 x 25	1	1	
000020313E05	21	BOLT Flanged Hex. head M10 x 1.5 x 25	1	1	
E007600642D11	22	BRACKET HSU Mounting	1	1	
005550700R1	23	WASHER Spring Lock M12	4	4	
000016182P04	24	PIN Dowel	2	2	
000012506P04	25	BOLT Hex head M12 x 30	4	4	
E007601292D91	26	INT SHAFT	1	1	
007600921D1	27	BRACKET Tilt Steering Mounting LH	1	1	
007600920D1	28	BRACKET Tilt Steering Mounting RH	1	1	
000051420D01	29	BOLT M10 x 1.5 x 35	4	4	
005555988R1	30	WASHER M10 Spring Lock	4	4	
007601601D1	31	PIVOT HOUSING	1	1	
007601603D1	32	LEVER Tilt Steering	1	1	

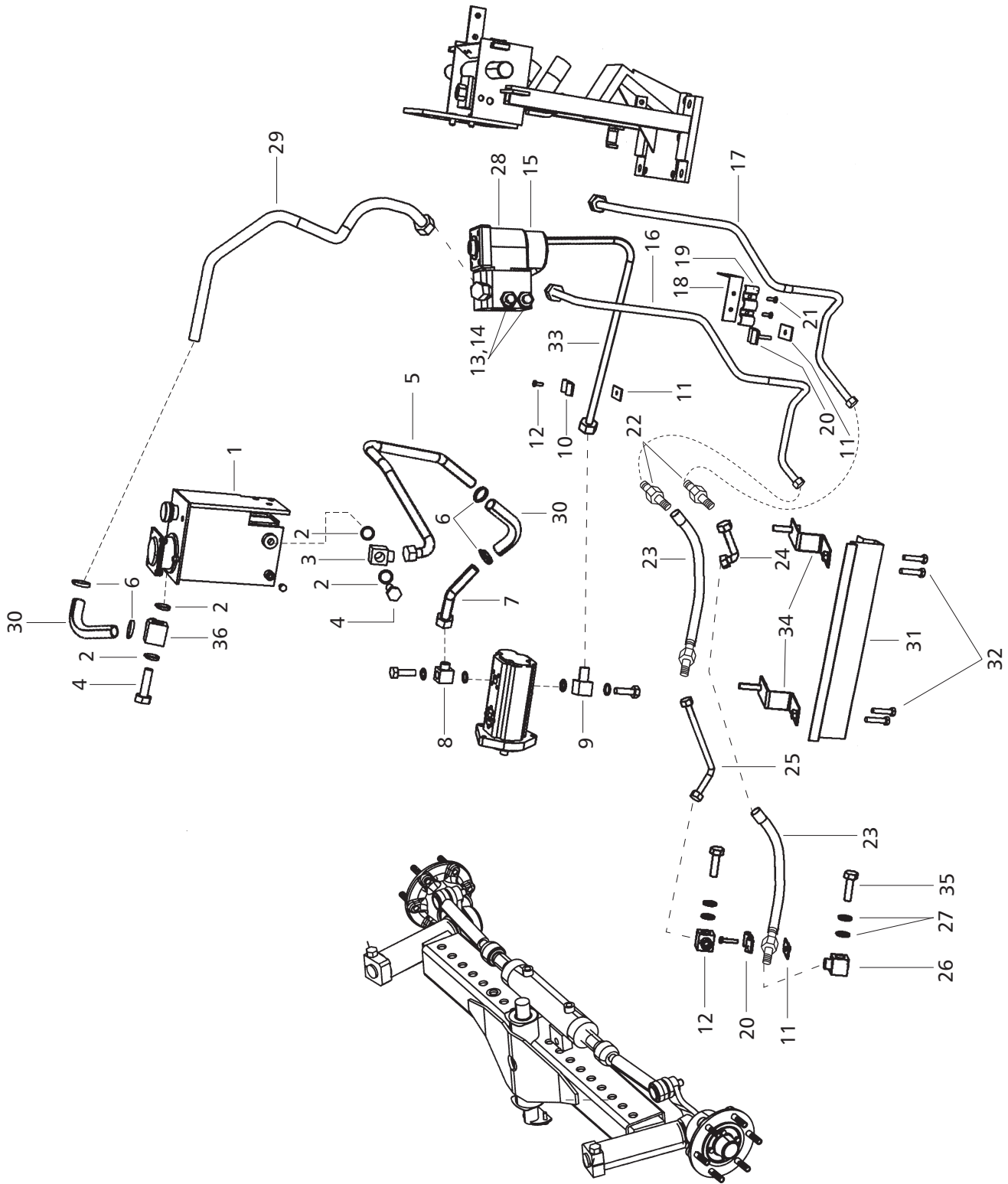
Wheel and Column



Wheel and Column

M&M Part Number	Ref.	Description of Part	Unit Quantity		Remarks / Service Bulletin No.
			6565 4WD	6565 2WD	
007601741D1	33	PINCH BOLT (RNL No-B00102B)	1	1	
007601742D1	34	WASHER Spring (RNL No-B77102D)	1	1	
007600787D1	35	COVER RUBBER	1	1	
000020309E05	36	BOLT Flanged M8 X 25	2	2	
000022079RD	37	WASHER Plain M10	2	2	
000010778P03	38	SPRING Dowell Sleeve 8 X 45	2	2	

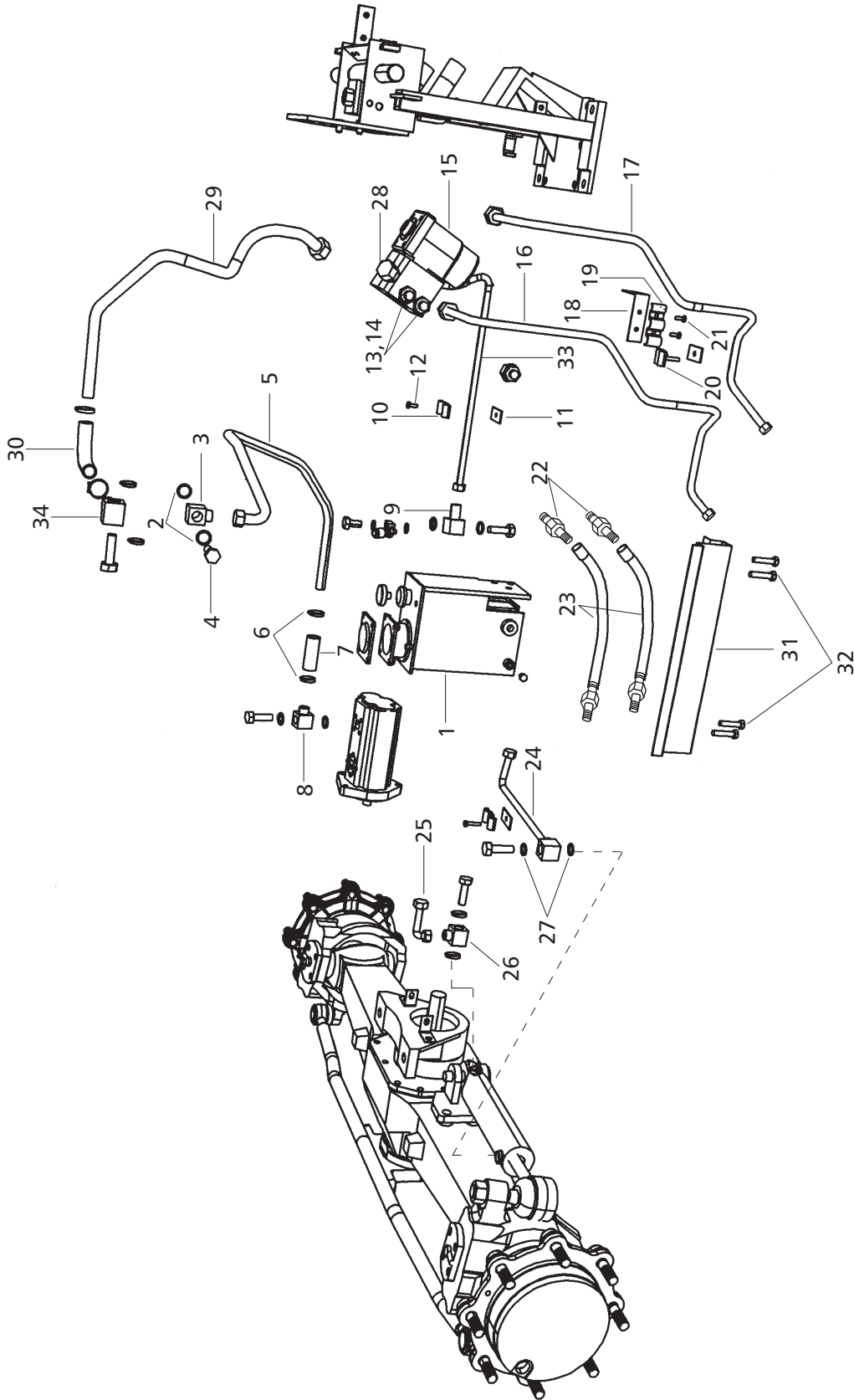
Power Steering Piping Sub-Assembly - 2WD



Power Steering Piping Sub-Assembly - 2WD

M&M Part Number	Ref.	Description of Part	Unit Quantity		Remarks / Service Bulletin No.
			6565 4WD	6565 2WD	
007202388D91		ASSY. OF PIPES & FITTINGS (Power Steering 6565-2WD)			
E007201518D91	1	RESERVOIR Power Steering Assy.	-	1	
000704337R1	2	WASHER 10.2" BSP Sealing Dowty	-	8	
007200347C1	3	SUCTION PORT Banjo Body	-	1	
007200346C1	4	BOLT Banjo W/Inlet Banjo Body	-	4	
E007202223D1	5	PS PIPE Reservoir To Hose	-	1	
005552915R1	6	CLIP Pipe Res. to Pump-Worm Type	-	4	
007202224D	7	PS PIPE Hose to Pump	-	1	
E007202235D1	8	LONG PS SUCTION Port Banjo Body	-	1	
007201628D1	9	BANJO BODY 1/2" BSP, 12 mm OD Extra Length	-	1	
007201579D1	10	PIPE Clamp 3	-	1	
007201608D1	11	CLAMP Plate 1	-	3	
000020311E05	12	BOLT M6 X 16 Long	-	3	
000051410D01	13	ADAPTOR (PLR Port on HSU)	-	3	
000051411D01	14	O-RING for P, L, R&T Ports of HSU	-	3	
E000013763P04	15	PSU 100cc Eaton Series 5 (With Adaptor Plate)	-	1	
007202019D1	16	PIPE (HSU To PS Hose RH, 12 OD)	-	1	
007202018D1	17	PIPE (HSU To PS Hose LH, 12 OD)	-	1	
007201449D1	18	CLAMP 8 Bottom Plate PS Starting Motor Mtg.	-	1	
007201578D1	19	PIPE Clamp 8 HSU To Hose	-	1	
007201577D1	20	PIPE Clamp 10	-	2	
001121502R1	21	SCREW M5 X 20 Long	-	2	
000051685D01	22	STRAIGHT Coupling Dia 1200 Tube	-	2	
000013777P04	23	HOSE Power Steering LH & RH, 5/16" ID	-	2	
007202160D1	24	PS PIPE (2WD End,12 OD) L.H	-	1	
007202159D1	25	PS PIPE (2WD End,12 OD) R.H	-	1	
007202226D1	26	BANJO BODY for M14 Banjo Bolt	-	2	
007202239D1	27	WASHER Copper I.D. 14.2 X O.D. 19.9 X 1.5 THK	-	4	
000013764P04	28	MALE STUD Coupling, 9/16", 18 OD Tube With O-ring	-	1	
007202020D1	29	PS PIPE (HSU To Reservoir)	-	1	
007200338C1	30	HOSE For Return Line Reservoir Imperial	-	2	
007201872D1	31	PS HOSE Guard	-	1	
005552901R1	32	BOLT Hex M10 x 20	-	6	
E007202174D1	33	PS PIPE 11 GPM Pump to HSU	-	1	
007202176D1	34	BRACKET for PS Hose Guard	-	2	
007202225D1	35	BOLT Banjo M14 for 2WD-4WD to incorporate 6565-2WD	-	2	
007200342C1	36	BANJO BODY Return Line Power Steering	-	1	

Power Steering Piping Sub-Assembly - 4WD

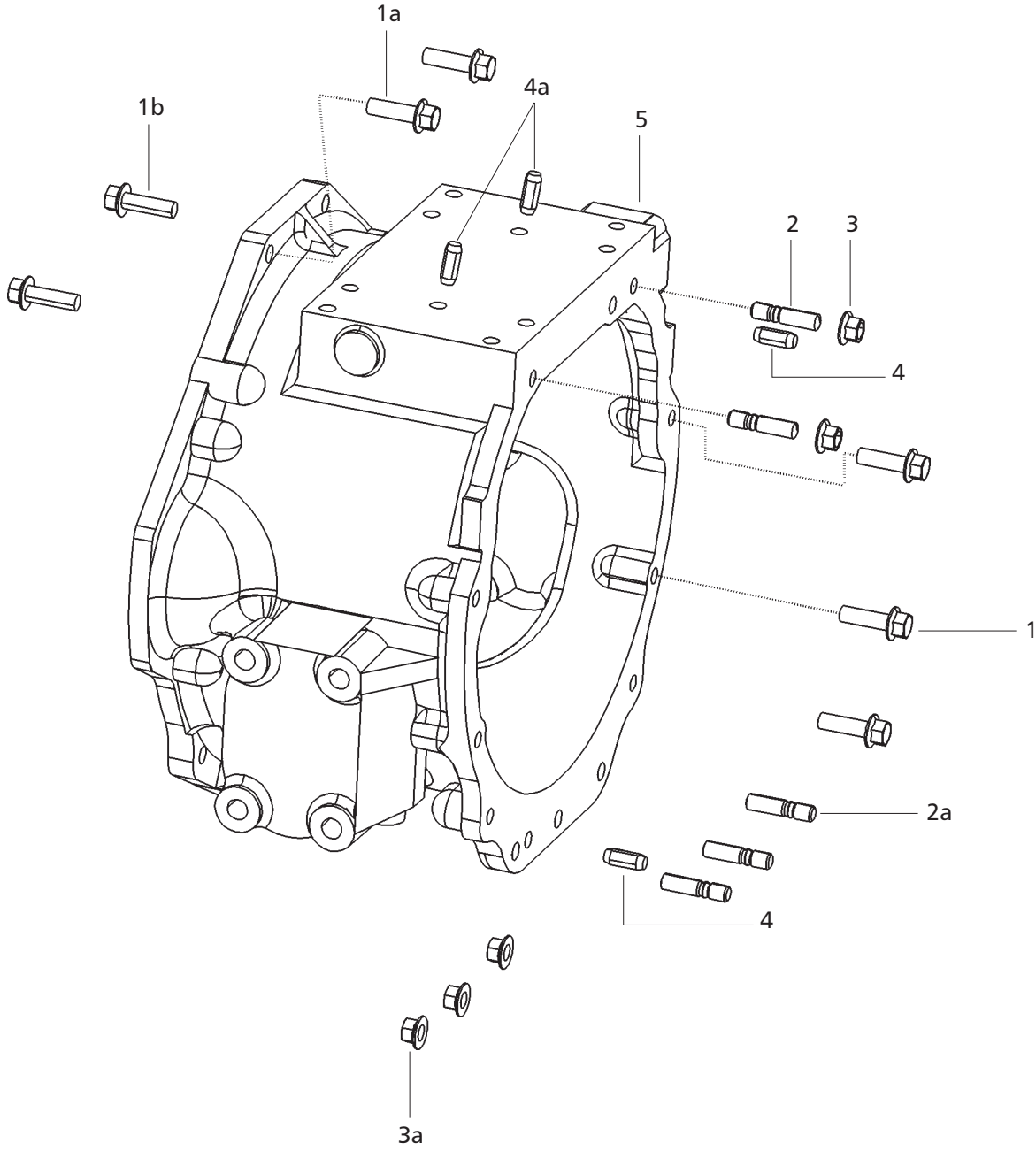


Power Steering Piping Sub-Assembly - 4WD

M&M Part Number	Ref.	Description of Part	Unit Quantity		Remarks / Service Bulletin No.
			6565 4WD	6565 2WD	
007202240D91		ASSY. OF PIPES & FITTINGS (PS with Reservoir 6565-4WD)			
E007201518D91	1	RESERVOIR Power Steering Assy.	1	-	
000704337R1	2	WASHER 10.2" BSP Sealing Dowty	8	-	
007200347C1	3	SUCTION PORT Banjo Body	1	-	
007200346C1	4	BOLT Banjo W/Inlet Banjo Body	4	-	
E007202223D1	5	PS PIPE Reservoir To Hose	1	-	
005552915R1	6	CLIP Pipe Res. to Pump-Worm Type	4	-	
007202224D	7	PS PIPE Hose to Pump	1	-	
E007202235D1	8	LONG PS SUCTION Port Banjo Body	2	-	
007201628D1	9	BANJO BODY 1/2" BSP, 12 mm OD Extra Length	1	-	
007201579D1	10	PIPE Clamp 3	1	-	
007201608D1	11	CLAMP Plate 1	3	-	
000020311E05	12	BOLT M6 X 16 Long	3	-	
000051410D01	13	ADAPTOR (PLR Port on HSU)	3	-	
000051411D01	14	O-RING for P, L, R&T Ports of HSU	3	-	
E000013763P04	15	PSU 100cc Eaton Series 5 (With Adaptor Plate)	1	-	
007203107D1	16	PIPE (HSU To PS Hose RH, 12 OD)	1	-	
007203106D1	17	PIPE (HSU To PS Hose LH, 12 OD)	1	-	
007201449D1	18	CLAMP 8 Bottom Plate PS Starting Motor Mtg.	1	-	
007201578D1	19	PIPE Clamp 8 HSU To Hose	1	-	
007201577D1	20	PIPE Clamp 10	2	-	
001121502R1	21	SCREW M5 X 20 Long	2	-	
000051685D01	22	STRAIGHT Coupling Dia 1200 Tube	2	-	
007203104D1	23	HOSE Power Steering LH & RH, 5/16" ID	2	-	
007202031D1	24	PS PIPE (4WD End,12 OD) L.H	1	-	
007202030D1	25	PS PIPE (4WD End,12 OD) R.H	1	-	
000013778P04	26	SWIVEL Banjo Elbow	2	-	
005552905R1	27	WASHER Copper 16 ID	4	-	
000013764P04	28	MALE STUD Coupling, 9/16", 18 OD Tube With O-ring	1	-	
007202020D1	29	PS PIPE (HSU To Reservoir)	1	-	
007200338C1	30	HOSE For Return Line Reservoir Imperial	2	-	
007201872D1	31	PS HOSE Guard	1	-	
005552901R1	32	BOLT Hex M10 x 20	4	-	
E007202174D1	33	PS PIPE 11 GPM Pump to HSU	1	-	
007200342C1	34	BANJO BODY Return Line Power Steering	1	-	
007203052C1	*	CONNECTOR M20 x 1.5 by M14 x 1.5 (6030)			

CLUTCH

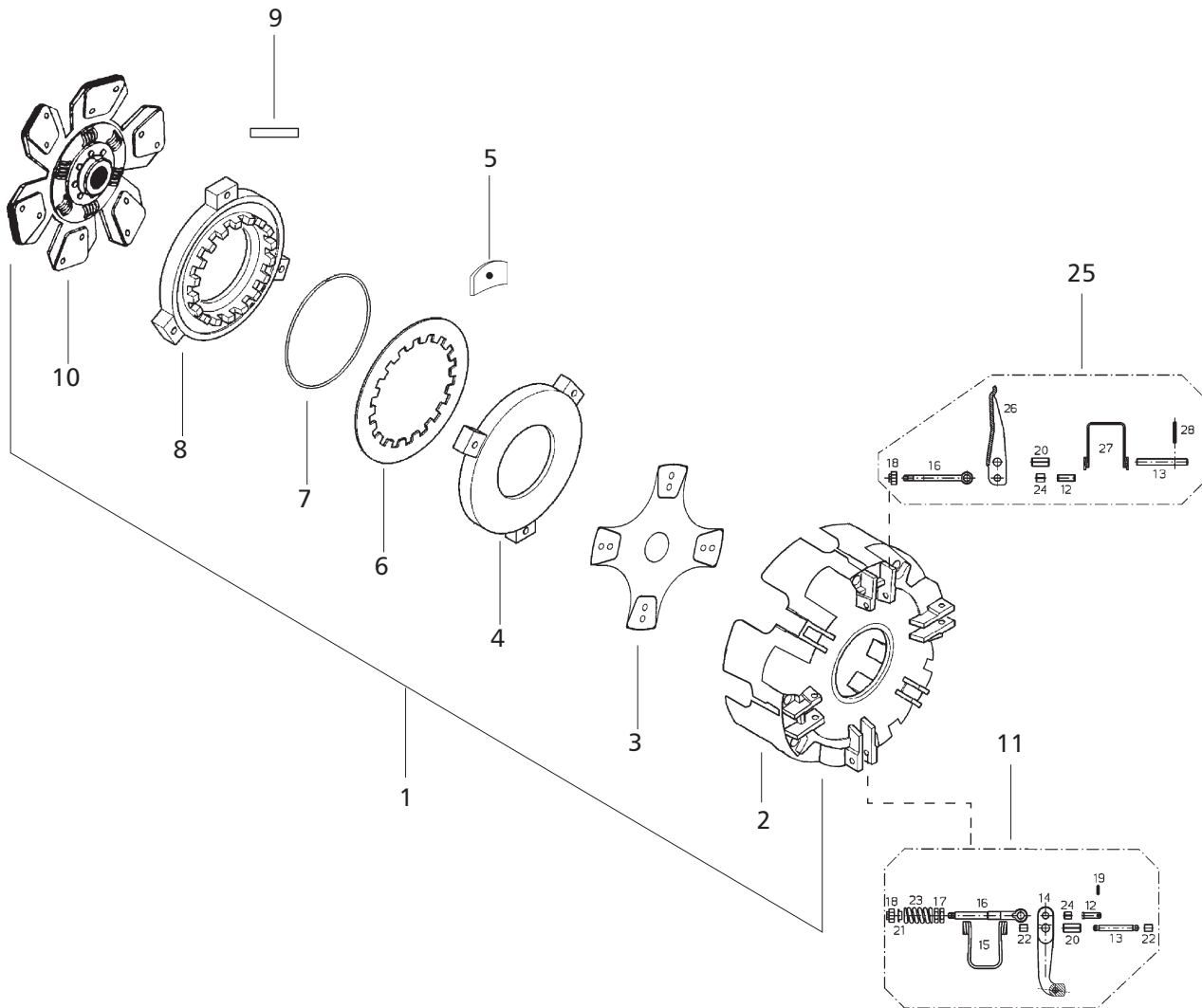
Clutch Housing



Clutch Housing

M&M Part Number	Ref.	Description of Part	Unit Quantity		Remarks / Service Bulletin No.
			6565 4WD	6565 2WD	
000013898P04	1	BOLT Flanged Hex Head M12 x 40	6	6	
000013898P04	1a	BOLT Flanged Hex Head M12 x 40	6	6	
000013898P04	1b	BOLT Flanged Hex Head M12 x 40	5	5	
000012502P04	2	STUD B M12 x 35	2	2	
000012502P04	2a	STUD B M12 x 35	3	3	
007535360D1	3	NUT Flanged Hex M12	2	2	
007535360D1	3a	NUT Flanged Hex M12	3	3	
000016182P04	4	PIN Dowel	2	2	
000016182P04	4a	PIN Dowel	2	2	
000016287P04	5	HOUSING CLUTCH	1	1	

Clutch Assembly



Applicable from Tractor Cut Off Number

6565 4WD

KPS 1337

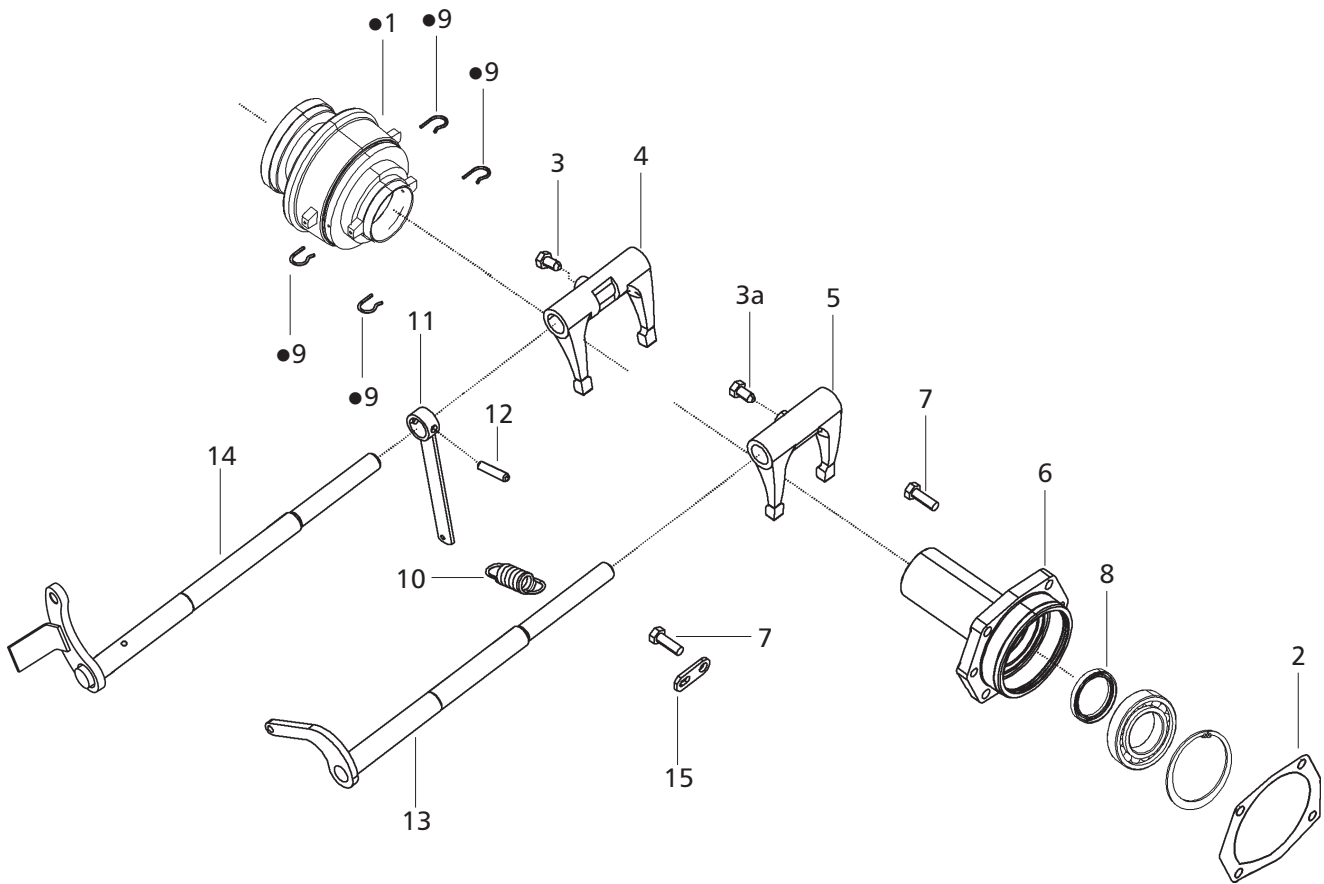
6565 2WD

KPT 1134

Clutch Assembly

M&M Part Number	Vendor Part Number	Ref.	Description of Part per tractor	Unit Quantity		Remarks / Bulletin No.
				7520 4WD	7520 2WD	
006503645D91	A2028P1700	1	NDC CLUTCH			
0065004865D1	2101P0500	2	→ COVER Housing	1	1	
006504857D1	A3028PTR00	3	→ PTO Driven Plate	1	1	
006504858D1	2903P0000	4	→ PTO Pressure Plate Sub assy	1	1	
006504859D1	211408101	5	→ RETAINING Clip	6	6	
006504860D1	412700504	6	→ DIAPHRAGM Spring	1	1	
006503356D1	216511501	7	→ FULCRUM Ring	1	1	
006504861D1	2103P0700	8	→ PRESSURE Plate (Main)	1	1	
006504862D1	045400201	9	→ SPRING Pin	1	1	
006503643D91	A3028PMR00	10	→ MAIN Driven Plate	1	1	
006504863D1	2615P3000	11	REP Set (PTO)	3	3	
‡		12	→ BOLT	3	3	
‡		13	→ BOLT	3	3	
‡		14	→ LEVER - I	3	3	
‡		15	→ FORM spring (for Lever I)	3	3	
‡		16	→ EYE Bolt	3	3	
‡		17	→ NUT	6	6	
‡		18	→ SPECIAL Nut	3	3	
‡		19	→ COTTER Pin	3	3	
‡		20	→ BUSH Bearing	3	3	
‡		21	→ WASHER	3	3	
‡		22	→ SLEEVE	6	6	
‡		23	→ COIL Spring	3	3	
‡		24	→ BUSH Bearing	3	3	
006504864D1	2615P2900	25	REP Set (Main)	3	3	
‡		26	→ LEVER - II	3	3	
‡		12	→ PIVOT Pin - Smaller	3	3	
‡		27	→ FORM spring (for Lever II)	3	3	
‡		13	→ PIVOT Pin - Bigger	3	3	
‡		16	→ EYE Bolt	3	3	
‡		18	→ NUT Special	3	3	
‡		28	→ SPRING type Straight Pin	3	3	
‡		20	→ BUSH Bearing	3	3	
‡		24	→ BUSH Bearing	3	3	
Applicable from Tractor Cut Off Number						
6565 4WD		KPS 1337		6565 2WD		KPT 1134

Clutch Inner Controls and Shafts



● = 1

Applicable from Tractor Cut Off Number

7520 2WD

KNT 1227

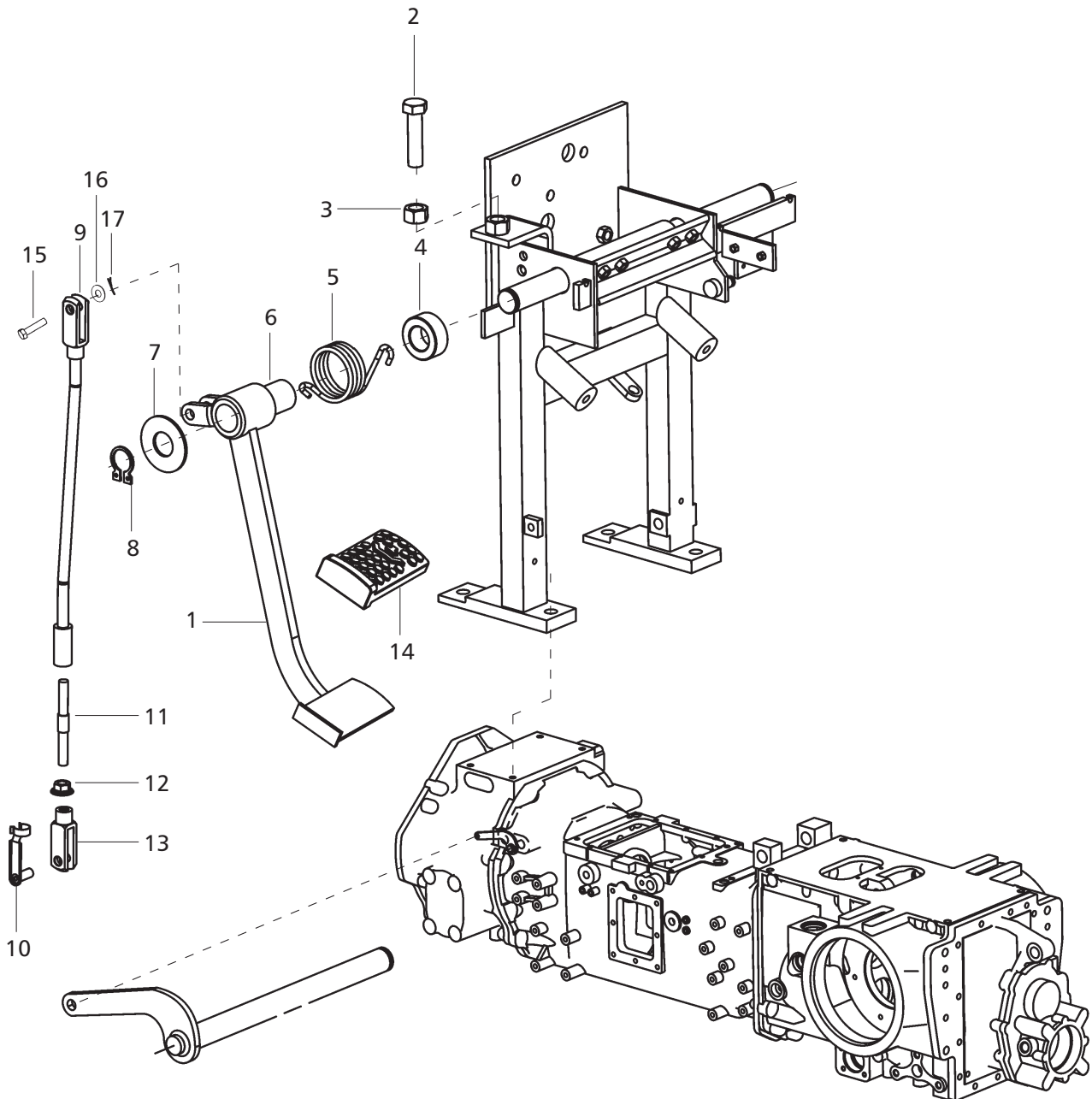
7520 4WD

KNG 940

Clutch Inner Controls and Shafts

M&M Part Number	Ref.	Description of Part	Unit Quantity		Remarks / Service Bulletin No.
			6565 4WD	6565 2WD	
006505243D91	1	BEARING ASSY. for Clutch Release (A5014P0400) Consisting of :	1	1	
006503359D1	9	▶ R-CLIP (516300401)	4	4	
000016128P04	2	GASKET	1	1	
000012497P04	3	BOLT Hex head	1	1	
000012497P04	3a	BOLT Hex head	1	1	
000012152P04	4	FORK Transmission Clutch Release	1	1	
000012153P04	5	FORK PTO Clutch Release	1	1	
000016323P04	6	SLEEVE Clutch Release Bearing	1	1	
000012248P04	7	BOLT Hex head M10 x 30	4	4	
000012256P04	8	OIL SEAL PTO drive shaft	1	1	
006505300D1	10	SPRING Return NDC Clutch Bearing	1	1	
006505302D91	11	LINK Shaft PTO for NDC Clutch Bearing	1	1	
000012282P04	12	SPRING DOWEL SLEEVE	1	1	
000012776P04	13	BELCRANK SHAFT for Transmission Clutch	1	1	
007602937D1	14	BELCRANK SHAFT for PTO Clutch NDC	1	1	
006502932D1	15	PLATE Spring Retainer	1	1	
Applicable from Tractor Cut Off Number					
7520 2WD		KNT 1227	7520 4WD		KNG 940

Clutch Pedal and Linkages

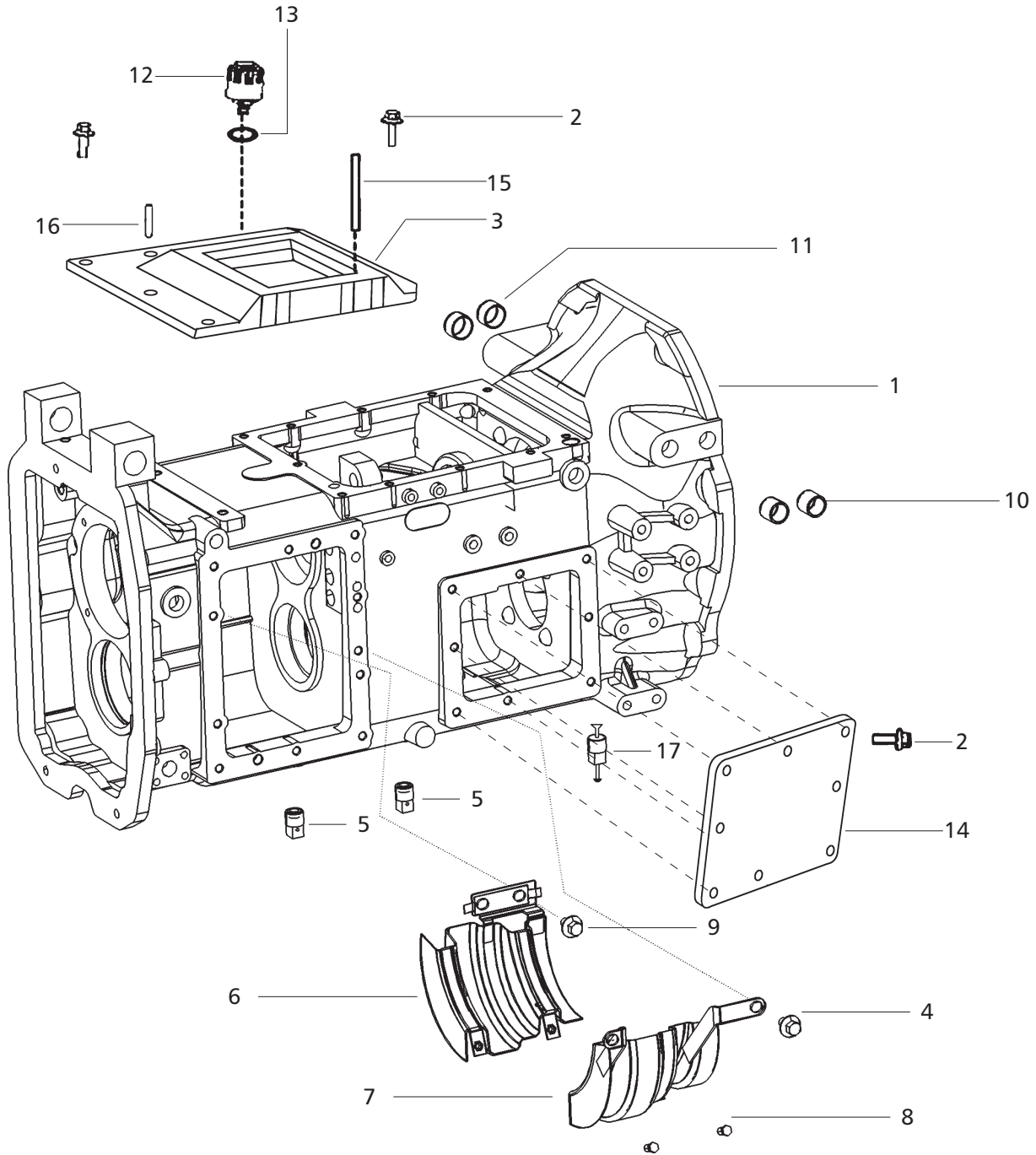


Clutch Pedal and Linkages

M&M Part Number	Ref.	Description of Part	Unit Quantity		Remarks / Service Bulletin No.
			6565 4WD	6565 2WD	
007600249D1	1	PEDAL CLUTCH CPTC Consists Of :-	1	1	
000012770P04	6	↳ BUSH Sintered 28 x 40L	1	1	
000013185P04	2	SCREW Hex head M16 x 2 x60	1	1	
000012918P04	3	NUT Hex M16 x 2 (IS:1363)	1	1	
007600277D1	4	SPACER 28 Dia x 21 mm	3	3	
000012723P04	5	SPRING Torsion	1	1	
000013151P04	7	WASHER Plain 28.5 x 65 x 3	1	1	
005554798R1	8	CIRCLIP External	1	1	
007600800D1	9	VERTICAL LINK for Clutch	1	1	
000012935P04	10	YOKE Lock Pin	1	1	
007600251D1	11	TURN LINK for Clutch M10 x 1.25 x 100 RH LH	1	1	
000012645P04	12	NUT Flanged M10 x 1.25	1	1	
007600229D1	13	YOKE Standard M10 x 1.25	1	1	
007600785D1	14	RUBBER COVER for Clutch Pedal	1	1	
000012848P04	15	PIN Joint 10 Dia	1	1	
000012914P04	16	WASHER Plain 10 Dia	1	1	
000103373	17	PIN Cotter 3/32 x 3/4	1	1	

TRANSMISSION

Speed Housing



Applicable from Tractor Cut Off Number

6565 4WD

KPS 1337

6565 2WD

KPT 1134

Speed Housing

M&M Part Number	Ref.	Description of Part	Unit Quantity		Remarks / Service Bulletin No.
			6565 4WD	6565 2WD	
006503706D1	1	SPEED HOUSING	1	1	
000020313E05	2	BOLT Flanged Hex. Head M10 x 25	16	16	
006503841D1	3	COVER Top Speed	1	1	
000020308E05	4	BOLT Flanged Hex. Head M8 x 16	2	2	
005556422R2	5	PLUG Magnetic Drain 1/2-14 NPTF	2	2	
000016617P04	6	TRAY Speed Gear LH	1	1	
000016618P04	7	TRAY Speed Gear RH	1	1	
000020797E05	8	BOLT Flanged Hex. Head M6 x 12	2	2	
000020324E05	9	BOLT Flanged Hex M10 x 16	2	2	
000010700P03	10	BUSH Control Lever	2	2	
006503155D1	11	BUSH Clutch Shaft L.H.	2	2	
006503363D1	12	BREATHER Shuttle	1	1	
006503393D1	13	WASHER Breather	1	1	
006503819D1	14	SPEED Hsg. Slide Cover Plate	1	1	
006503842D1	15	DOWEL M10 X 60	1	1	
000020313E05	16	DOWEL PIN	1	1	
006505037D1	17	BREATHER for Clutch Housing	1	1	

Applicable from Tractor Cut Off Number

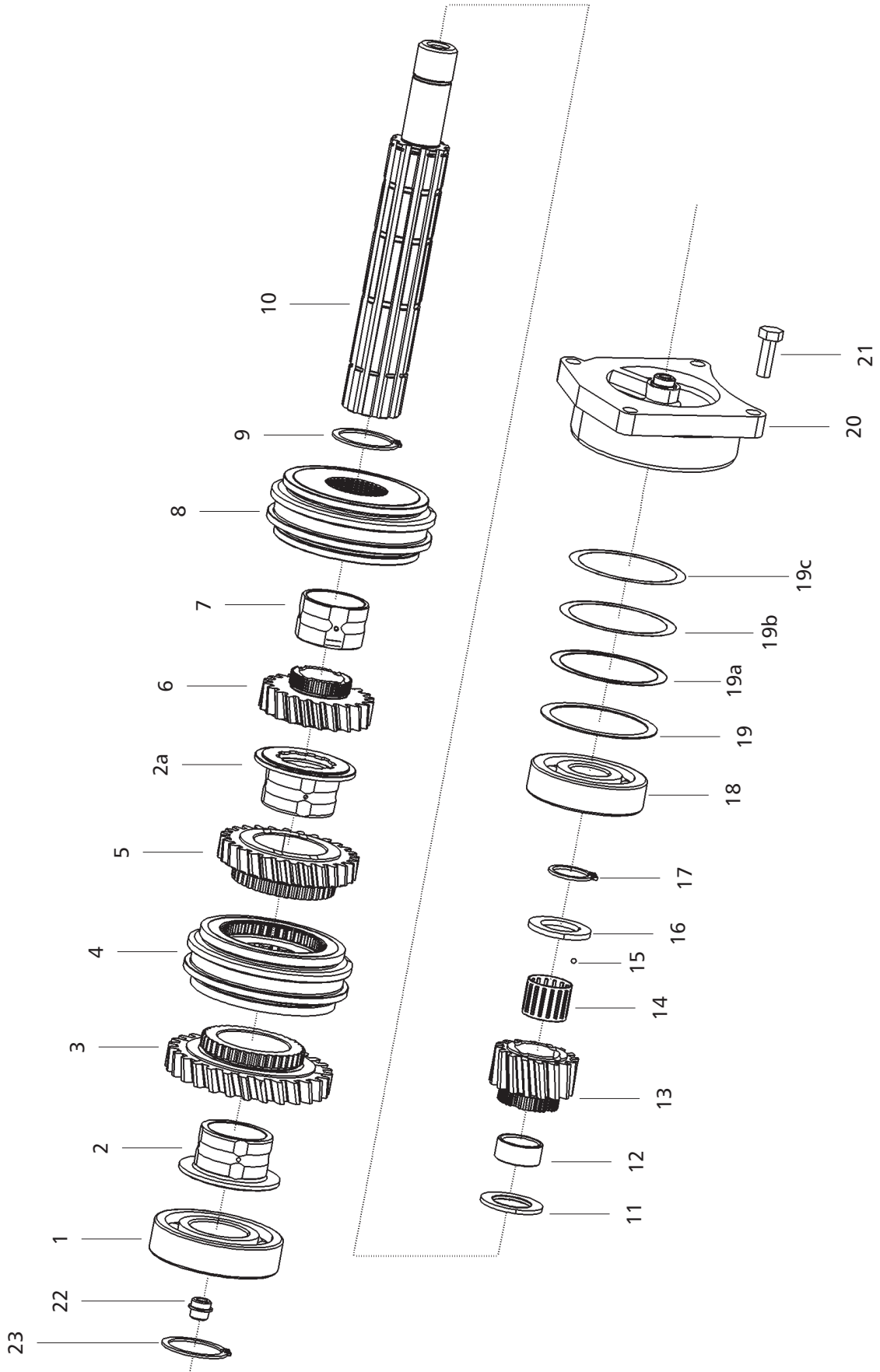
6565 4WD

KPS 1337

6565 2WD

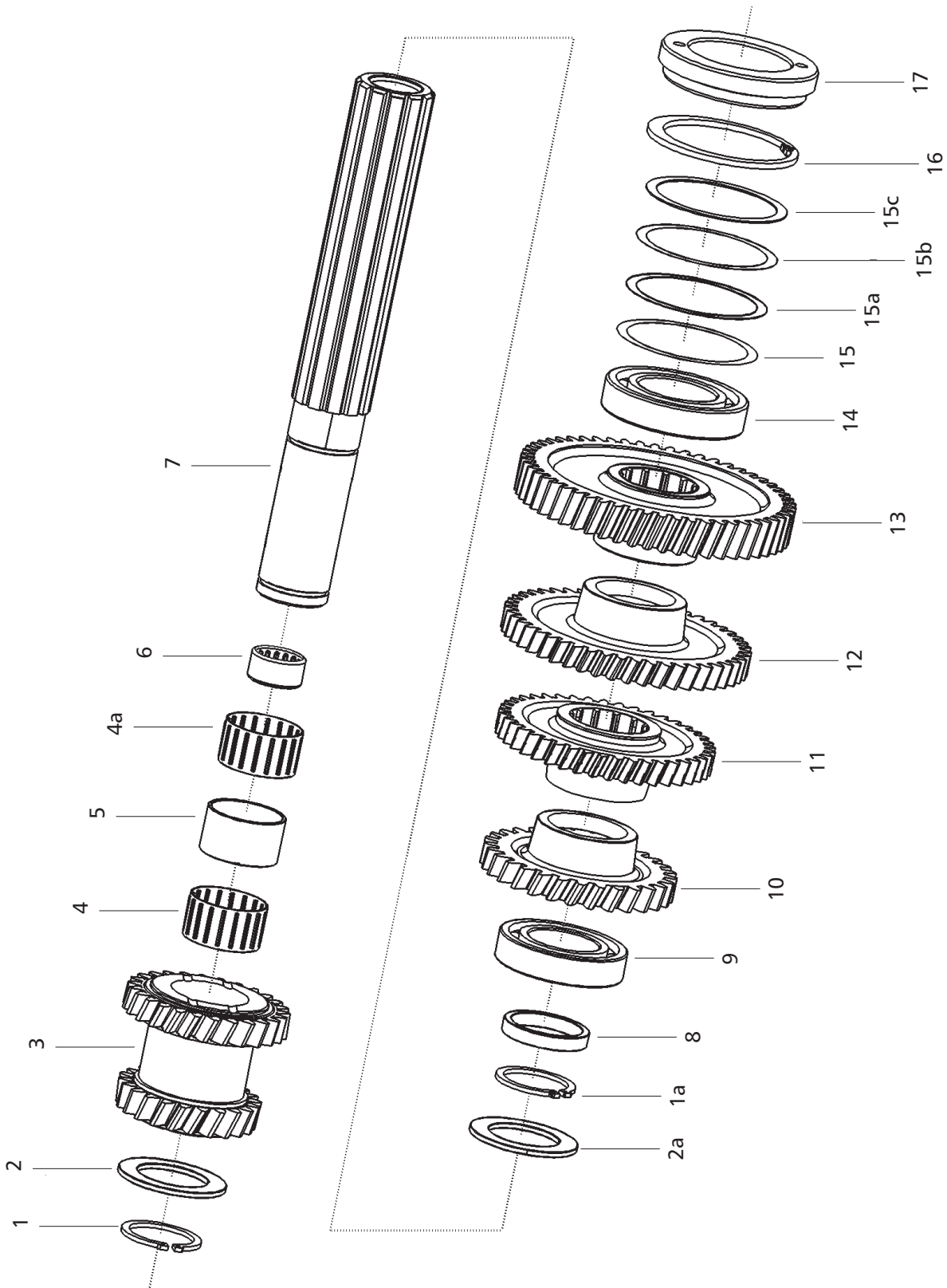
KPT 1134

Speed Top Shaft



M&M Part Number	Ref.	Description of Part	Unit Quantity		Remarks / Service Bulletin No.
			6565 4WD	6565 2WD	
000012146P04	1	BALL BEARING	1	1	
000016355P04	2	BUSH 3-4 Driving Gear & Low Driven Gear	1	1	
000016355P04	2a	BUSH 3-4 Driving Gear & Low Driven Gear	1	1	
000016276P04	3	GEAR 4th Driving	1	1	
000012092P04	4	SYNCHROPACK ASSY. 3rd & 4th Gear	1	1	
000013903P04	5	GEAR 3rd Driving	1	1	
000012044P04	6	GEAR 2nd Driving	1	1	
000012106P04	7	BUSH 2nd Driving Gear	1	1	
000012068P04	8	SYNCHROPACK ASSY. 1ST & 2ND GEAR	1	1	
000012155P04	9	CIRCLIP External	1	1	
000016384P04	10	SHAFT Speed Driving Shuttle Option	1	1	
000012440P04	11	SPACER - 1st Driving Gear (Front)	1	1	
000012217P04	12	BUSH 1st Speed Driving Gear	1	1	
000013901P04	13	GEAR 1st Driving	1	1	
000012114P04	14	NEEDLE BEARING - 1st Driving Gear	1	1	
000012197P04	15	BALL Chrome Steel 3mm DIA.	1	1	
006503219D1	16	SPACER - 1st Driving Gear (Rear) -Thickness 4.1 mm	1 OR	1 OR	
006503220D1	16	SPACER - 1st Driving Gear (Rear) -Thickness 4.2 mm	1 OR	1 OR	
006503221D1	16	SPACER - 1st Driving Gear (Rear) -Thickness 4.3 mm	1 OR	1 OR	
006503222D1	16	SPACER - 1st Driving Gear (Rear) -Thickness 4.4 mm	1 OR	1 OR	
006503223D1	16	SPACER - 1st Driving Gear (Rear) -Thickness 4.5 mm	1 OR	1 OR	
006503224D1	16	SPACER - 1st Driving Gear (Rear) -Thickness 4.6 mm	1 OR	1 OR	
006503225D1	16	SPACER - 1st Driving Gear (Rear) -Thickness 4.7 mm	1 OR	1 OR	
006503254D1	16	SPACER - 1st Driving Gear (Rear) -Thickness 4.8 mm	1	1	
000012230P04	17	CIRCLIP External	1	1	
000012112P04	18	BALL BEARING	1	1	
000012206P04	19	SHIM Speed Driving Shaft Rear 1.0mm	AR	AR	
000012128P04	19a	SHIM Speed Driving Shaft Rear 0.5mm	AR	AR	
000012204P04	19b	SHIM Speed Driving Shaft Rear 0.2mm	AR	AR	
000012205P04	19c	SHIM Speed Driving Shaft Rear 0.1mm	AR	AR	
000016372P04	20	CAGE for Speed Driving Shaft	1	1	
000012248P04	21	BOLT Hex head M10 x 30	4	4	
000013875P04	22	BUSHING for Lubrication	1	1	
000012165P04	23	CIRCLIP External	1	1	

Speed Countershaft

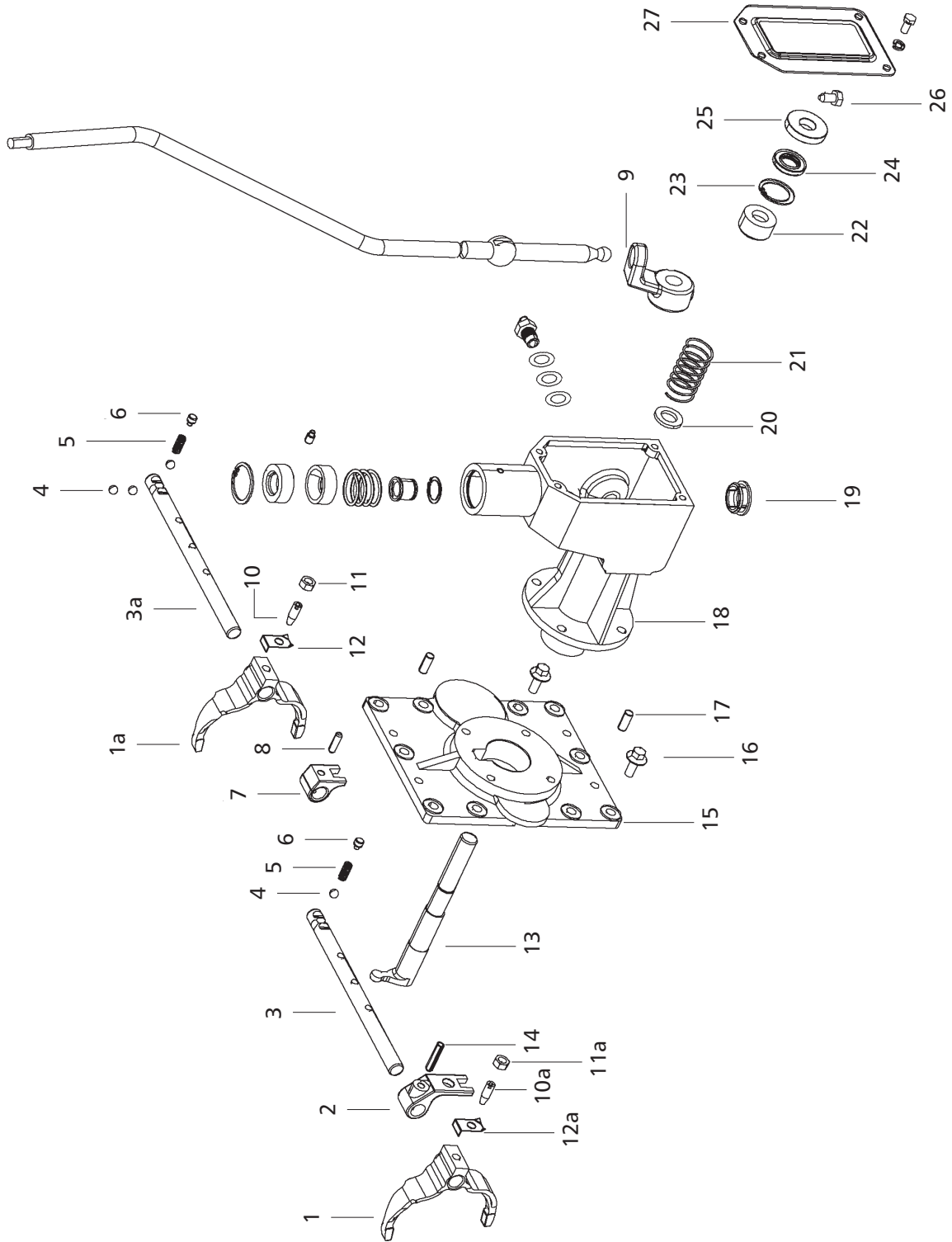


Speed Countershaft

M&M Part Number	Ref.	Description of Part	Unit Quantity		Remarks / Service Bulletin No.
			6565 4WD	6565 2WD	
000012227P04	1	CIRCLIP External	1	1	
000012227P04	1a	CIRCLIP External	1	1	
006506536D1	2	SPACER	1	1	
006506536D1	2a	SPACER	1	1	
006506534D1	3	CLUSTER Gear	1	1	
006504624D91	*	KIT Cluster Gear & NRB Consists of (Discontinued)	1	1	
000016364P04	3	▶ GEAR	1	1	
006501359C1	4	▶ BEARING Needle Roller B505530 50 x 55 x 30	1	1	
006501359C1	4a	▶ BEARING Needle Roller B505530 50 x 55 x 30	1	1	
E006507170D91	*	KIT for Cluster Gear Consists of	1	1	
006506535D1	2	▶ SPACER	1	1	
006506536D1	2a	▶ SPACER	2	2	
006506534D1	3	▶ CLUSTER Gear	1	1	
006506533D1	7	▶ HOLLOW Countershaft Speed	1	1	
006506535D1	5	SPACER	1	1	
005551769R91	6	BEARING Needle Roller	1	1	
006506533D1	7	HOLLOW Countershaft Speed	1	1	
000012132P04	8	SPACER	1	1	
000012381P04	9	BALL Bearing	1	1	
000012050P04	10	GEAR 4th Driven	1	1	
000016275P04	11	GEAR 3rd Driven	1	1	
000016273P04	12	GEAR 2nd Driven	1	1	
000016271P04	13	GEAR 1st Driven	1	1	
000012115P04	14	BALL Bearing	1	1	
000012127P04	15	SHIM 0.5mm	AR	AR	
000012201P04	15a	SHIM 0.2mm	AR	AR	
000012202P04	15b	SHIM 0.1mm	AR	AR	
000012203P04	15c	SHIM 0.1mm	AR	AR	
000012164P04	16	CIRCLIP Internal	1	1	
000012067P04	17	LOCATOR Preloading	1	1	

* Part Not Illustrated

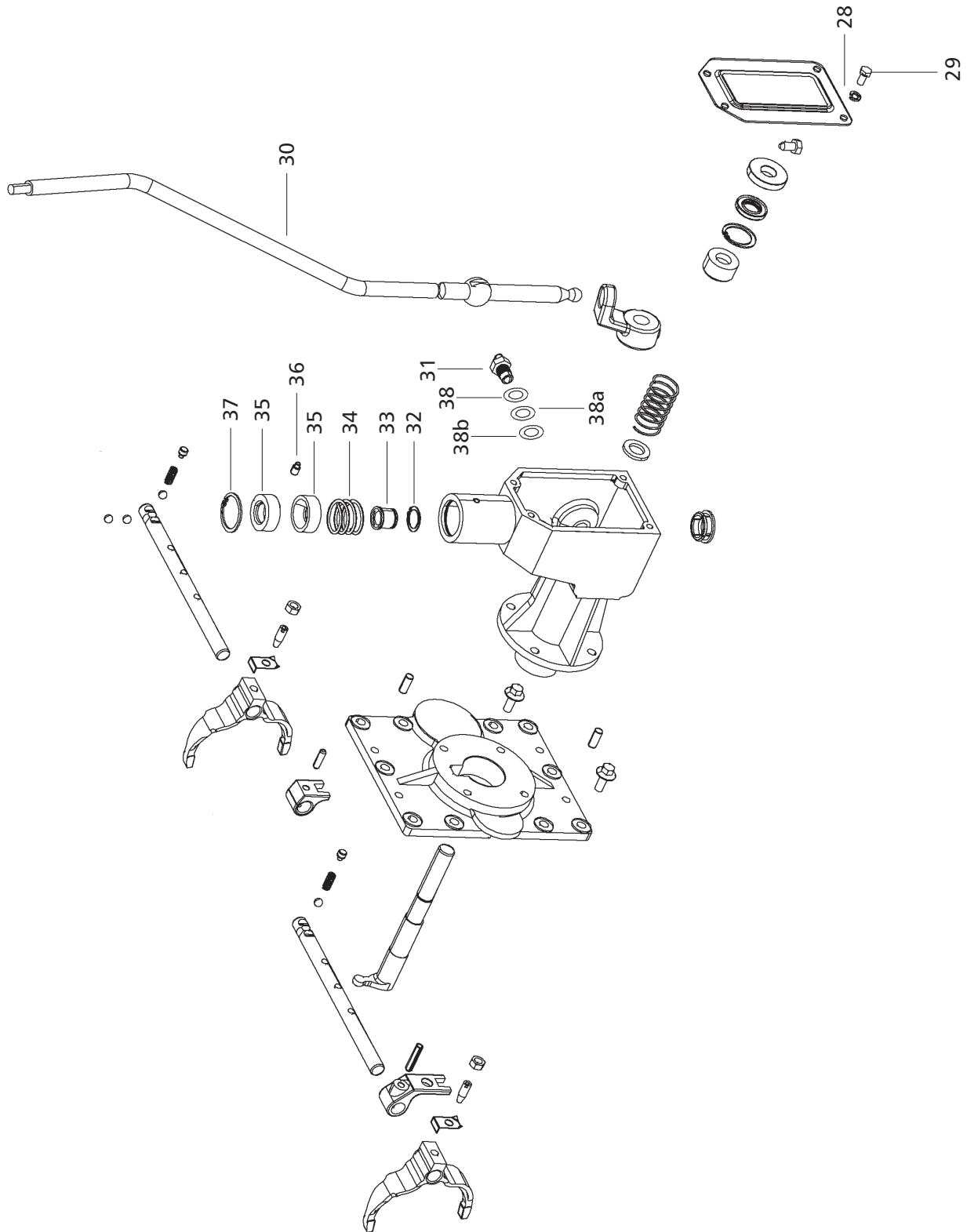
Speed Shifting System



Speed Shifting System

M&M Part Number	Ref.	Description of Part	Unit Quantity		Remarks / Service Bulletin No.
			6565 4WD	6565 2WD	
000016341P04	1	FORK I-II-III-IV Speed	1	1	
000016341P04	1a	FORK I-II-III-IV Speed	1	1	
000013881P04	2	SHIFTER BLOCK I & II Speed with Dowel Hole	1	1	
000016340P04	3	RAIL I-II Speed (III-IV) WITH DOWEL HOLE	1	1	
000016340P04	3a	RAIL I-II Speed (III-IV) WITH DOWEL HOLE	1	1	
001082178R1	4	BALL STEEL 13/32"	4	4	
006502304R1	5	SPRING Gear Shifter Poppet	2	2	
000012028P04	6	BUTTON Poppet Spring	2	2	
000013882P04	7	SHIFTER BLOCK 3rd-4th Speed With Dowel Hole	1	1	
000012508P04	8	SPRING DOWEL SLEEVE Dia 8 x 28	1	1	
000012073P04	9	CAM LINK- Gear Shifter Lever	1	1	
000031249B12	10	GRUB SCREW	1	1	
000031249B12	10a	GRUB SCREW	1	1	
000031251B12	11	NUT	1	1	
000031251B12	11a	NUT	1	1	
000016343P04	12	LOCK PLATE	1	1	
000016343P04	12a	LOCK PLATE	1	1	
006504698D1	13	CAM Speed	1	1	
000012282P04	14	SPRING DOWEL SLEEVE	1	1	
000012587P04	15	COVER Speed Shifter Window	1	1	
000020313E05	16	BOLT Flanged Hex. Head M10 x 25	14	14	
000012196P04	17	PIN Dowel GEAR SHIFTING HOUSING	2	2	
006504699D1	18	HOUSING SPEED SHIFTER	1	1	
000012033P04	19	PLUG	1	1	
000012020P04	20	SPACER	1	1	
000012039P04	21	SPRING	1	1	
000012018P04	22	BUSH	1	1	
000012189P04	23	CIRCLIP Internal	1	1	
000013859P04	24	OIL SEAL 20 x 40 x 7	1	1	
000013809P04	25	SPACER	1	1	
000012497P04	26	BOLT Hex head	1	1	
000012012P04	27	COVER PLATE	1	1	

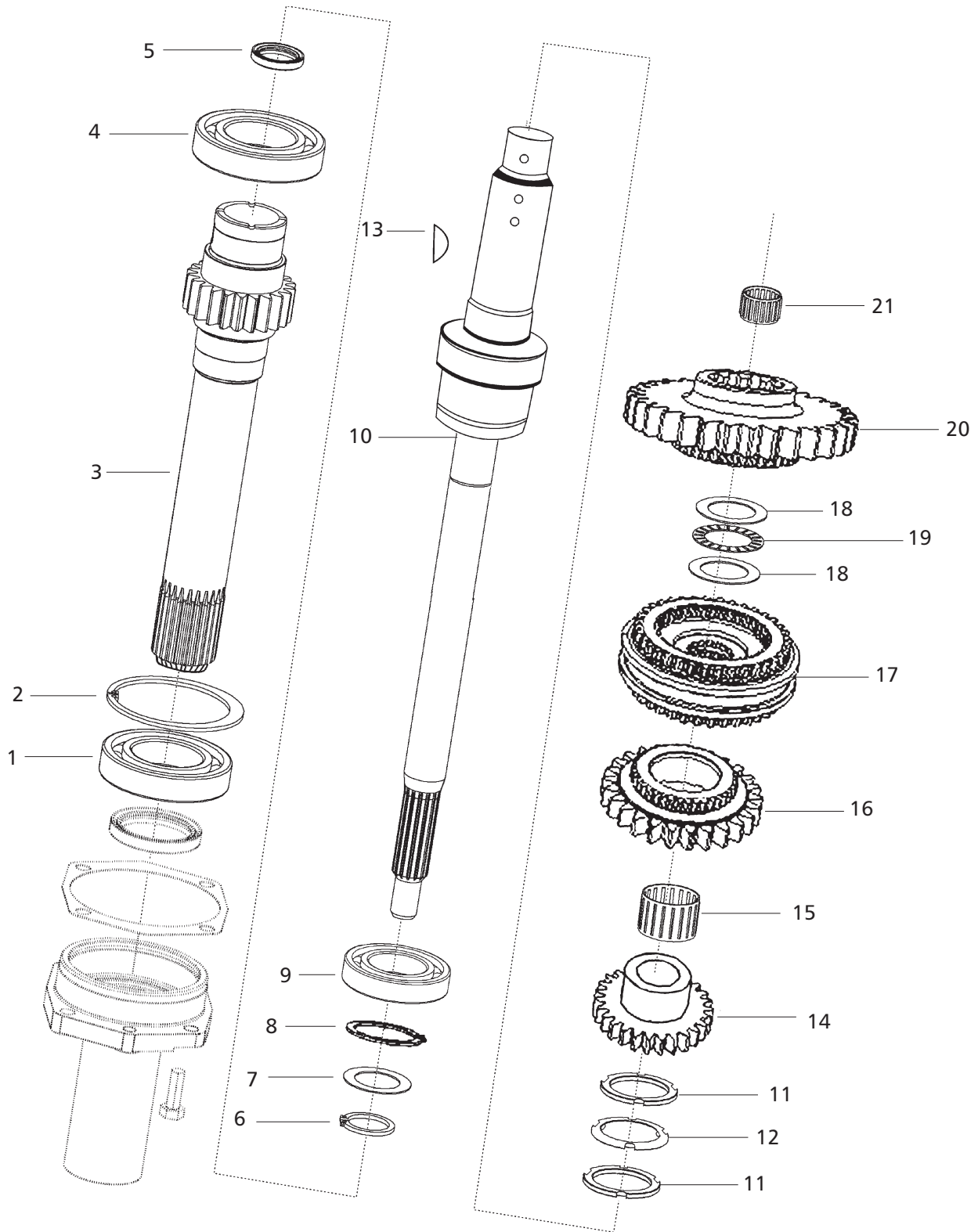
Speed Shifting System



Speed Shifting System

M&M Part Number	Ref.	Description of Part	Unit Quantity		Remarks / Service Bulletin No.
			6565 4WD	6565 2WD	
000934309R1	28	WASHER M8 Spring Lock	4	4	
000031296B12	29	BOLT M8 x 16	4	4	
007600432D1	30	LEVER SPEED	1	1	
000013059P04	31	SWITCH NEUTRAL	1	1	
000704589R1	32	CIRCLIP External	1	1	
000013939P04	33	BUSH Cam Link	1	1	
000012041P04	34	SPRING Gear Shifter Lever	1	1	
000012010P04	35	SPHERICAL HALF Gear Shifter Lever	2	2	
000012011P04	36	PIN LOCKING Gear Shifter Lever	1	1	
000012188P04	37	CIRCLIP Internal	1	1	
006503672D1	38	SHIMS Neutral Switch	AR	AR	
006503673D1	38a	SHIMS Neutral Switch	AR	AR	
006503674D1	38b	SHIMS Neutral Switch	AR	AR	

PTO Drive Shaft and Main Drive Shaft



Applicable from Tractor Cut Off Number

6565 4WD

KPS 1337

6565 2WD

KPT 1134

PTO Drive Shaft and Main Drive Shaft

M&M Part Number	Ref.	Description of Part	Unit Quantity		Remarks / Service Bulletin No.
			6565 4WD	6565 2WD	
000012115P04	1	BALL BEARING	1	1	
000751081R1	2	CIRCLIP Internal LD 100	1	1	
006503702D1	3	SHAFT PTO Driving Hollow	1	1	
001082207R91	4	BALL Brg. 6212	1	1	
006503817D1	5	OIL SEAL 30x46x8	1	1	
000012227P04	6	CIRCLIP HD50	1	1	
006503814D1	7	SPACER I.D.50	1	1	
000012226P04	8	CIRCLIP HD90	1	1	
000012381P04	9	BALL Bearing 6210	1	1	
006503703D1	10	TRANSMISSION Drive Shaft	1	1	
006504432D1	11	LOCK NUT M 40x1.5	2	2	
006503812D1	12	LOCK WASHER -Drive Shaft Lock Nut	1	1	
006504675D1	13	WOODRUFF Key For Main Shaft	1	1	
006503552D1	14	GEAR Pump Driving	1	1	
000016212P04	15	NRB 55x63x32	1	1	
006503709D1	16	GEAR Reverse Driving-NDC	1	1	
000012070P04	17	SYNCHRO-FW/Rev -Single Cone	1	1	
006503262D1	18	THRUST WASHER 3.5 Thk.	2	2	
000012350P04	19	THRUST BEARING	1	1	
006503704D1	20	GEAR Forward Driving-NDC	1	1	
000012345P04	21	NEEDLE Bearing 25x31x20	1	1	

Applicable from Tractor Cut Off Number

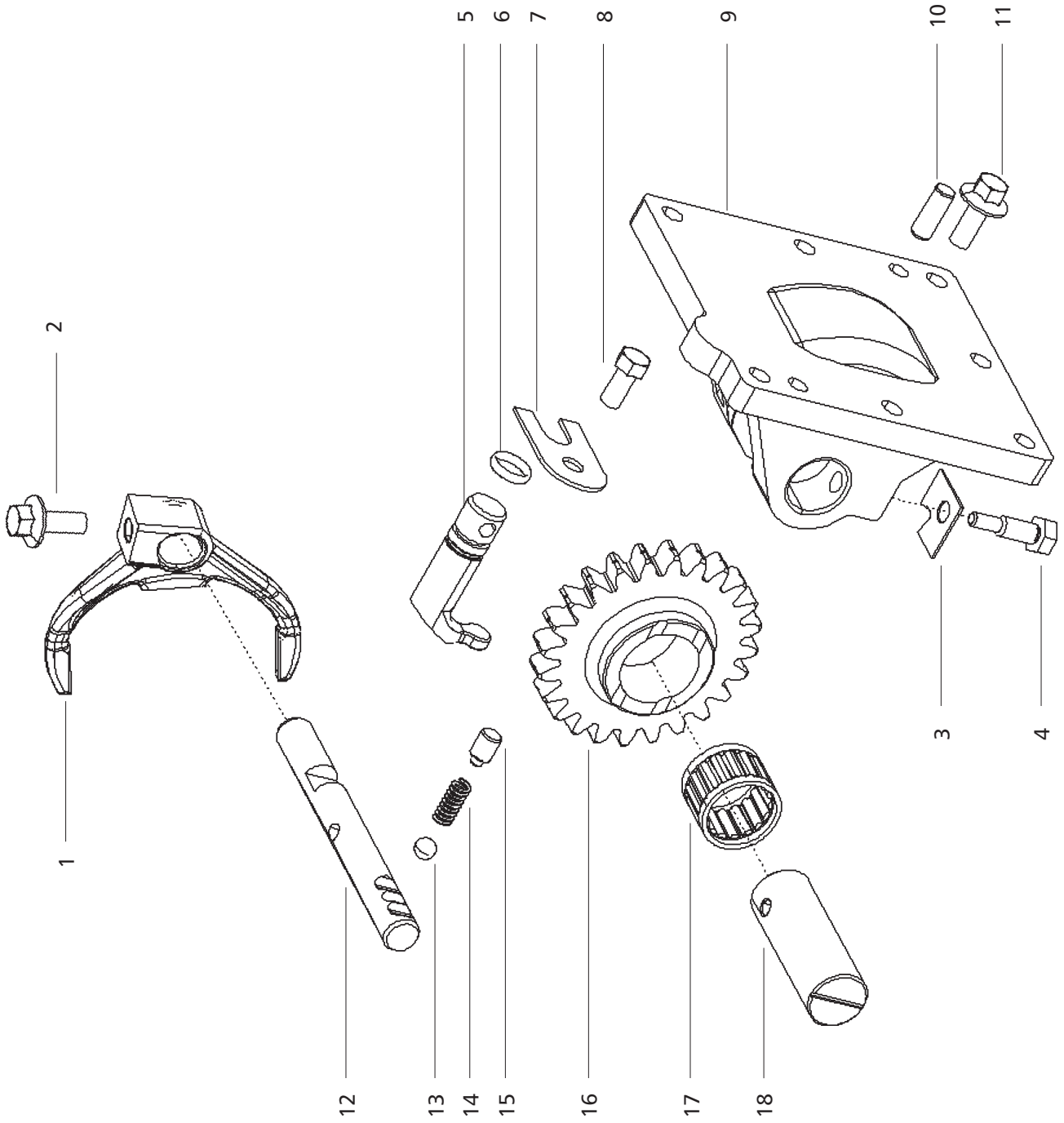
6565 4WD

KPS 1337

6565 2WD

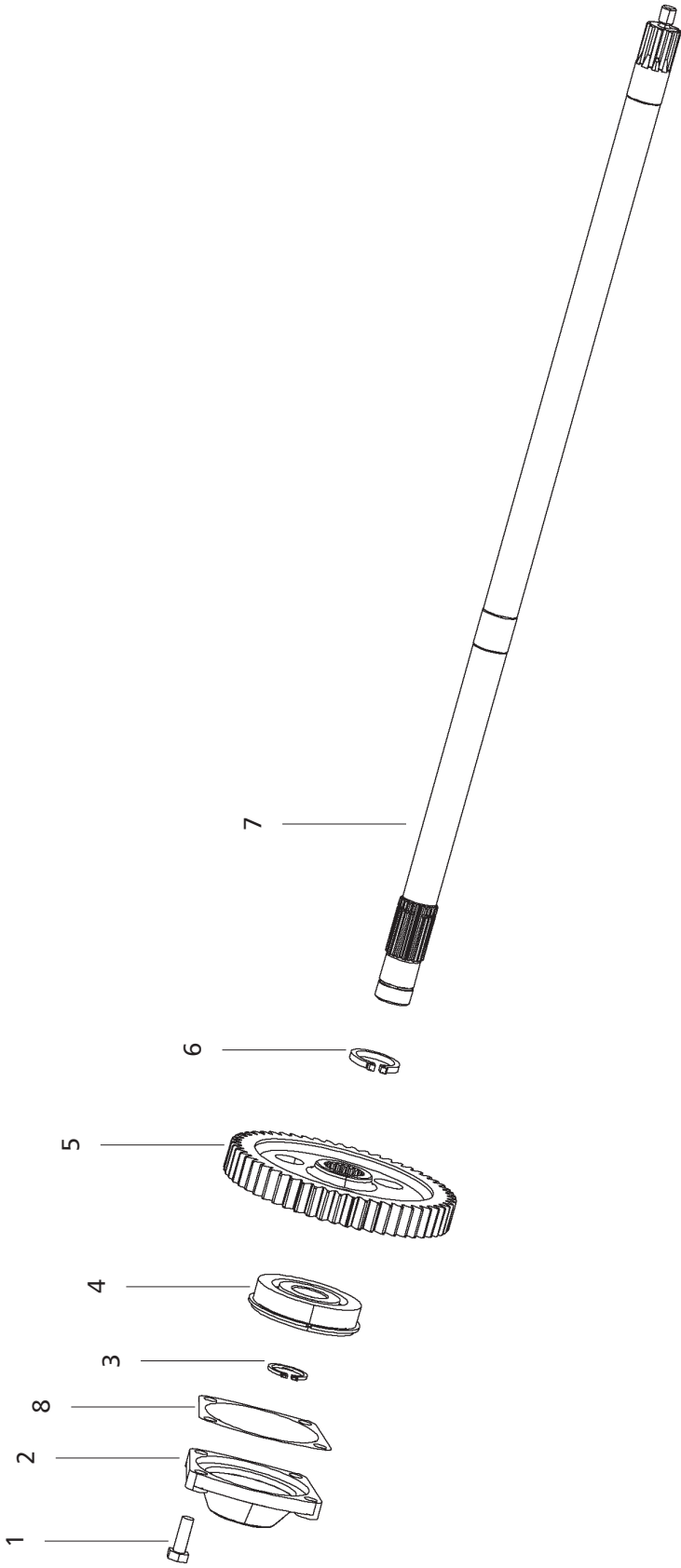
KPT 1134

Shuttle Shifting



M&M Part Number	Ref.	Description of Part	Unit Quantity		Remarks / Service Bulletin No.
			6565 4WD	6565 2WD	
006503410D1	1	FORK Forward Reverse	1	1	
006503097D1	2	BOLT Flanged Hex head M10 x 1.25 x 30	1	1	
000016534P04	3	LOCK PLATE Rev Idler Bolt	1	1	
000012130P04	4	BOLT	1	1	
000012294P04	5	CAM Forward Reverse Shuttle	1	1	
000013850P04	6	O - RING	1	1	
000012510P04	7	LOCK PLATE Cam	1	1	
000013851P04	8	BOLT M10 x 16 Hex	1	1	
000012362P04	9	BLOCK Shuttle Idler	1	1	
000012196P04	10	PIN Dowel	2	2	
000020313E05	11	BOLT Flanged Hex. Head M10 x 25	8	8	
006503095D1	12	RAIL Forward Reverse Shuttle	1	1	
001082178R1	13	BALL STEEL 13/32"	1	1	
006502304R1	14	SPRING Gear Shifter Poppet	1	1	
000012028P04	15	BUTTON Poppet Spring (Speed)	1	1	
000016356P04	16	GEAR Reverse Idler Shuttle Option	1	1	
000012119P04	17	NEEDLE BEARING B30 x 40 x 30	1	1	
000016590P04	18	SHAFT Reverse Idler Shuttle	1	1	

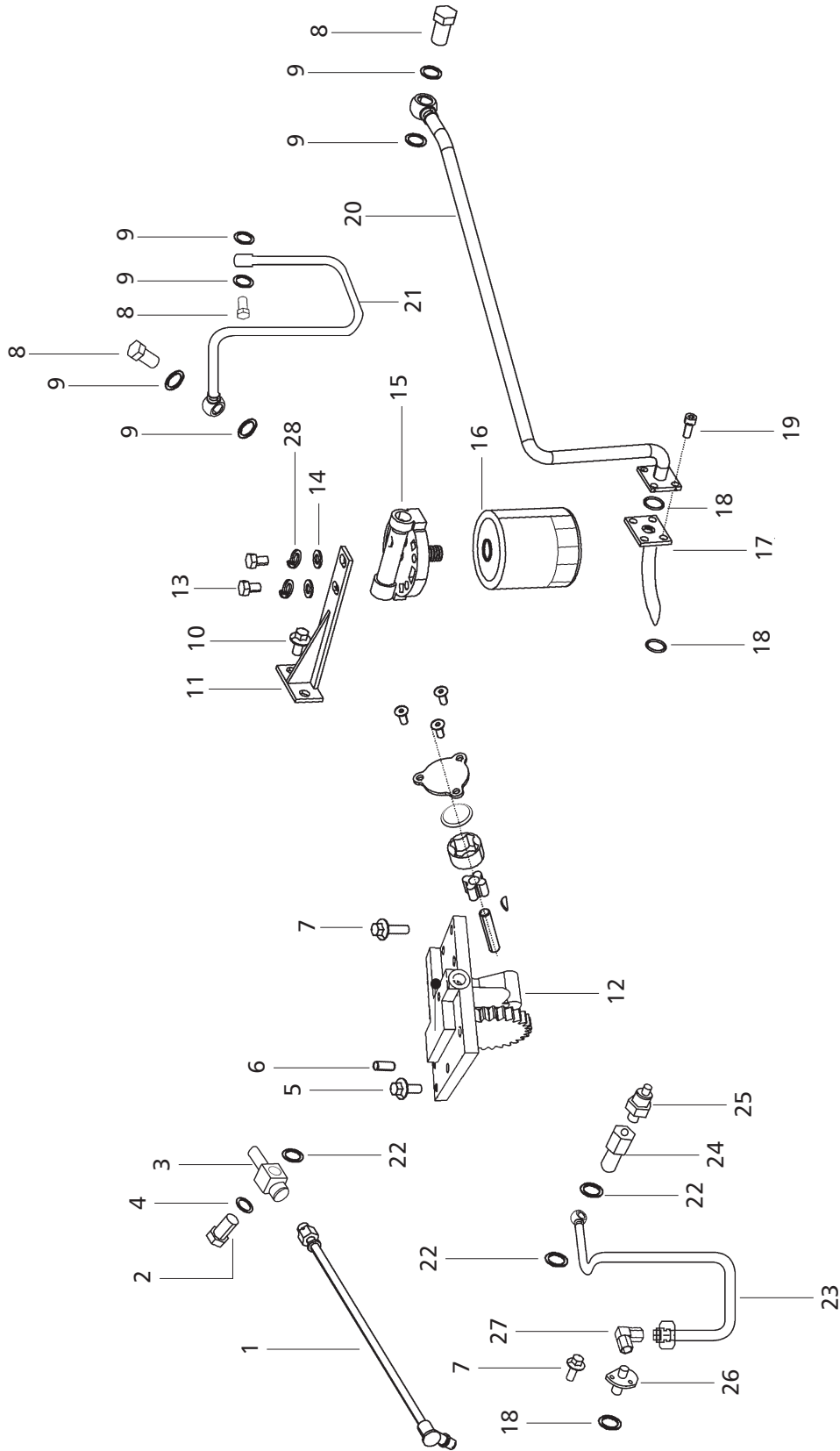
PTO Shaft (Front)



PTO Shaft (Front)

M&M Part Number	Ref.	Description of Part	Unit Quantity		Remarks / Service Bulletin No.
			6565 4WD	6565 2WD	
000012248P04	1	BOLT Hex head M10 x 30	4	4	
000016203P04	2	COVER Front PTO Shaft	1	1	
000012230P04	3	CIRCLIP External HD 30	1	1	
000012135P04	4	BALL BEARING 30 x 90 x 23	1	1	
000016641P04	5	GEAR PTO Driven	1	1	
000012228P04	6	CIRCLIP External HD 33	1	1	
000016368P04	7	SHAFT PTO Driven Front Shuttle (12F/12R)	1	1	
0000000JV	8	GASKET Cover Front PTO Retainer	1	1	

Scavenging Pump and Lubrication



Applicable from Tractor Cut Off Number

6565 4WD

KPS 1337

6565 2WD

KPT 1134

Scavenging Pump and Lubrication

M&M Part Number	Ref.	Description of Part	Unit Quantity		Remarks / Service Bulletin No.
			6565 4WD	6565 2WD	
006503839D1	1	PIPE Speed Lubrication	1	1	
007202225D1	2	BANJO Bolt	1	1	
007202443D1	3	BANJO Body Lubrication	1	1	
000012488P04	4	WASHER Copper DIA-16	1	1	
000020313E05	5	BOLT Banjo Hex Head M10 X 25	5	5	
000012196P04	6	DOWEL PIN Gear Shifting HSG.	1	1	
006503852D1	7	BOLT M10 X 1.7 X 70	3	3	
000016371P04	8	BANJO Bolt M18 x 1.5	3	3	
000016390P04	9	WASHER Sealing	6	6	
000016206P04	10	BRACKET Suction Filter Mounting	1	1	
000012196P04	11	DOWEL PIN Gear Shifting HSG.	2	2	
006503716D91	12	SCAVERGING Pump Assy	1	1	
000013851P04	13	SCREW Hex Head M10 x 16	2	2	
000016471P04	14	WASHER Plain 11x 21 x 2	2	2	
000016210P04	15	FILTER Head Assy	1	1	
000016115P04	16	FILTER	1	1	
000016346P04	17	PIPE MAIN Suction	1	1	
007202344D1	18	O' Ring Flange Bulk Head Union	1	1	
000016466P04	19	SCREW Hex Socket Head M8 X 20	3	3	
000016204P04	20	PIPE INPUT Suction Filter	1	1	
006504100D1	21	SUCTION Pipe	1	1	
000061056M01	22	WASHER Copper DIA-14	3	3	
006504101D1	23	DELIVERY Pipe	1	1	
007202347D1	24	BANJO Bolt Sensor Mounting	1	1	
006003172B1	25	OIL Pressure Switch	1	1	
007202341D1	26	FLANGE Union	1	1	
000013959P04	27	ELBOW ESWIO	1	1	
000022273RD	28	WASHER Spring Lock M10	2	2	

Applicable from Tractor Cut Off Number

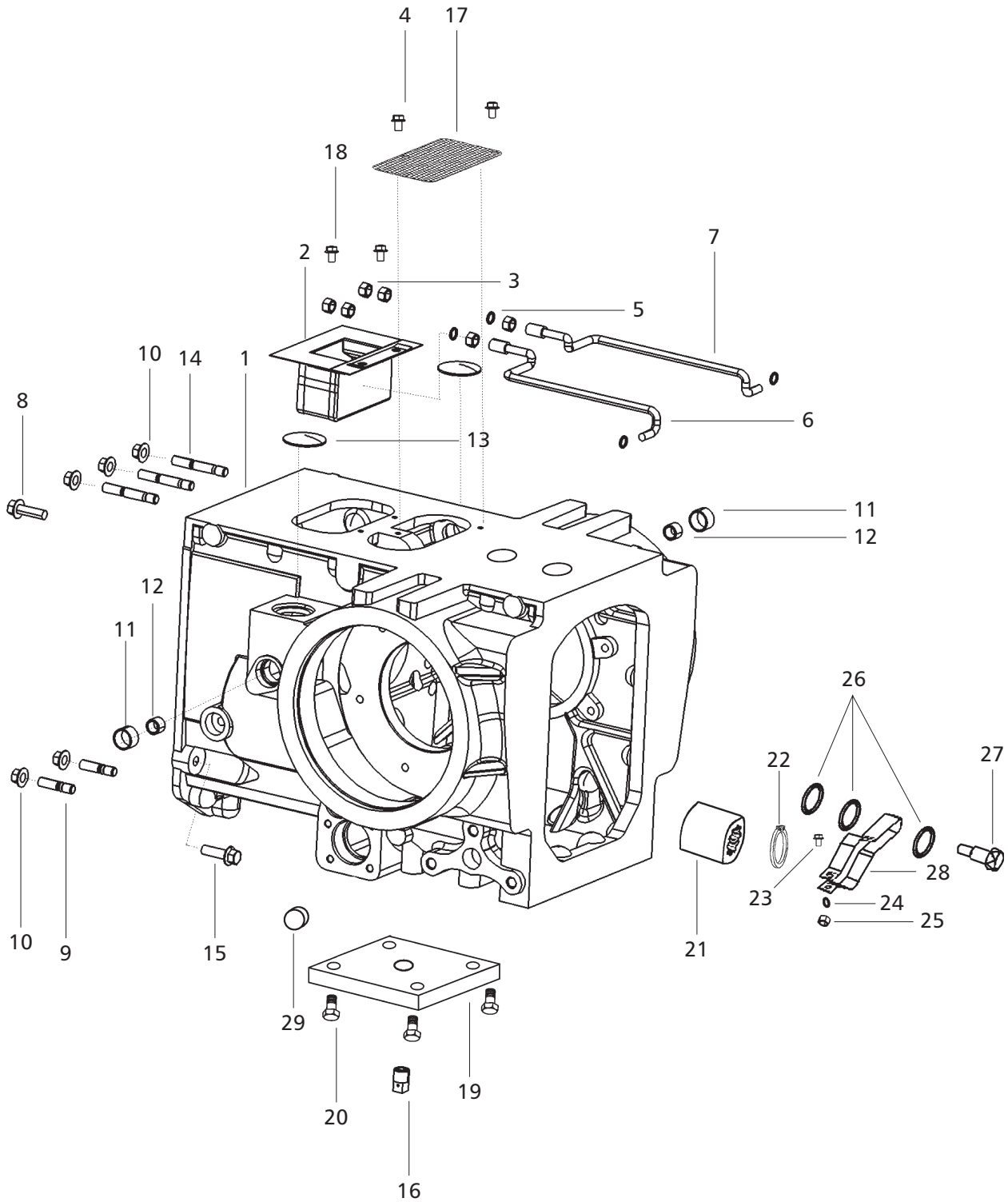
6565 4WD

KPS 1337

6565 2WD

KPT 1134

Rear Housing



Applicable from Tractor Cut Off Number

6565 4WD

KPS 1337

6565 2WD

KPT 1134

Rear Housing

M&M Part Number	Ref.	Description of Part	Unit Quantity		Remarks / Service Bulletin No.
			6565 4WD	6565 2WD	
000016153P04	1	REAR HOUSING Transmission	1	1	
000016150P04	2	TRAY Rear Housing	1	1	
000016198P04	3	NUT LOCK M12	6	6	
000016535P04	4	BOLT Flanged Hex. Head M8 x 16	2	2	
000020695E05	5	WASHER Sealing 12 x 16	4	4	
000016347P04	6	PIPE Brake Lubrication L.H	1	1	
000016348P04	7	PIPE Brake Lubrication R.H.	1	1	
000013898P04	8	BOLT Flanged Hex Head M12 x 40	7	7	
000012502P04	9	STUD B M12 x 35	2	2	
007535360D1	10	NUT Flanged Hex M12	5	5	
000016140P04	11	BUSH Metallic	2	2	
000013257P04	12	BUSHING Draft Lever	2	2	
000020301E05	13	PLUG Expansion 56 x 2 x 80	2	2	
000012298P04	14	STUD M12 x 65	3	3	
000013899P04	15	BOLT Flanged Hex Head M12 x 55	1	1	
005556422R1	16	PLUG Magnetic Drain 1/2-14NPTF	3	3	
006503092D1	17	COVER MESH Rear Housing	1	1	
000031296B12	18	BOLT M8 x 16	2	2	
006503568D1	19	BOTTOM COVER Rear Housing	-	1	
000016469P04	20	BOLT Flanged M12 x 35	-	4	
006500224C1	21	GEAR PTO Coupling	1	1	
006500225C1	22	CIRCLIP PTO Coupling	1	1	
000060434M01	23	BOLT M6	1	1	
001233808R1	24	SPRING WASHER	1	1	
001233807R1	25	NUT M6	1	1	
000120396	26	WASHER	3	3	
006504462D1	27	SHOULDER Bolt Coupling Holding Spring	1	1	
006504413D1	28	COUPLING Holding Spring	1	1	
006504629D1	29	PLUG Bush SLP	1	1	

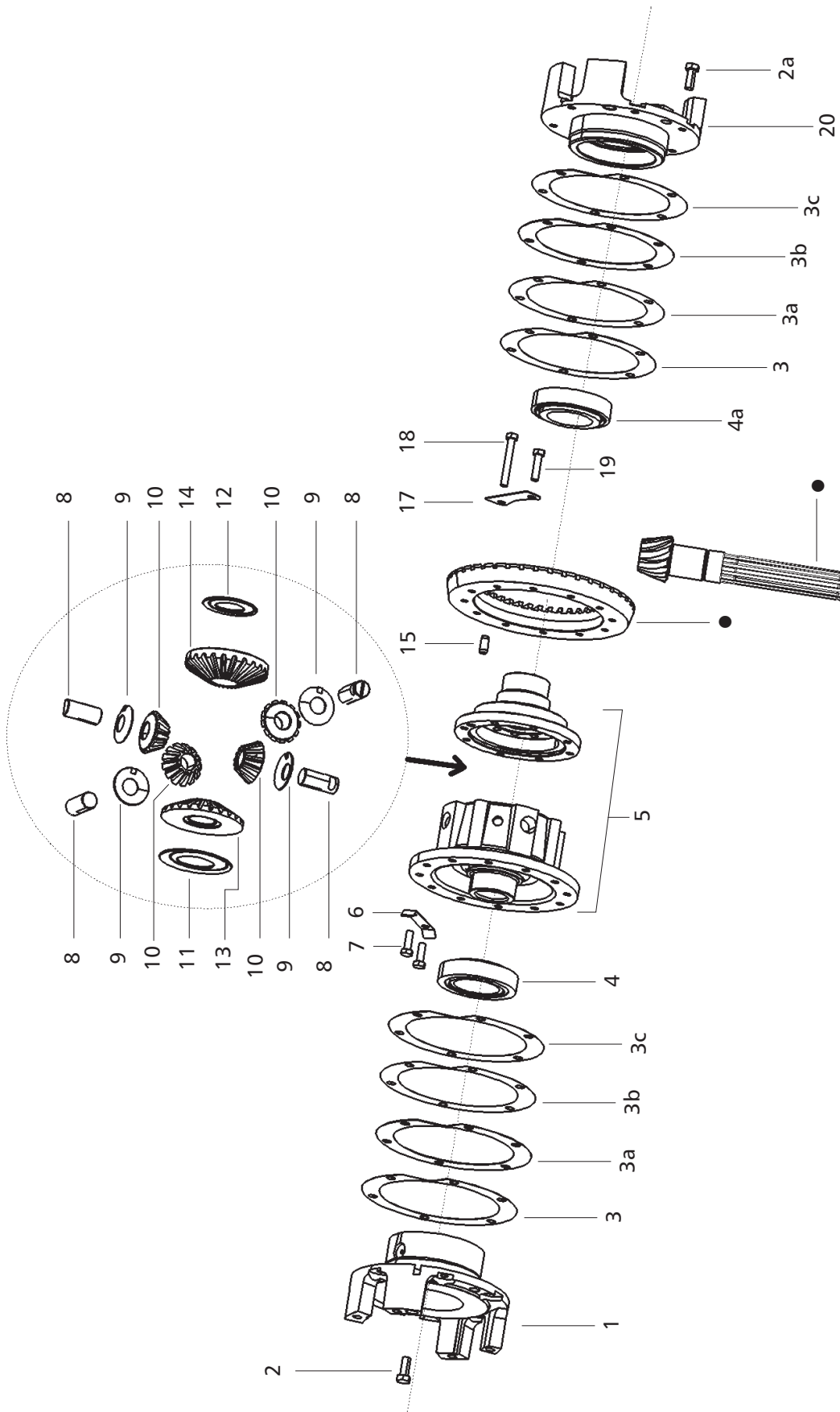
Applicable from Tractor Cut Off Number

6565 4WD

KPS 1337

6565 2WD

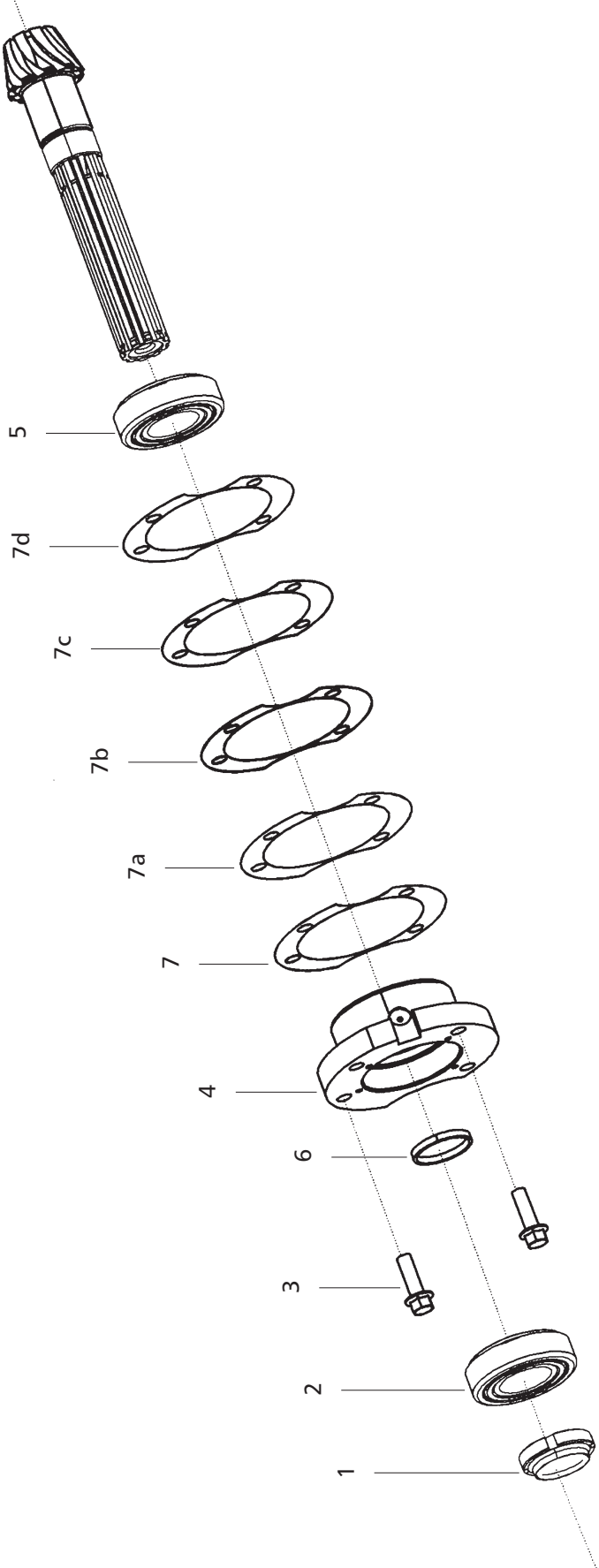
KPT 1134



● = 16

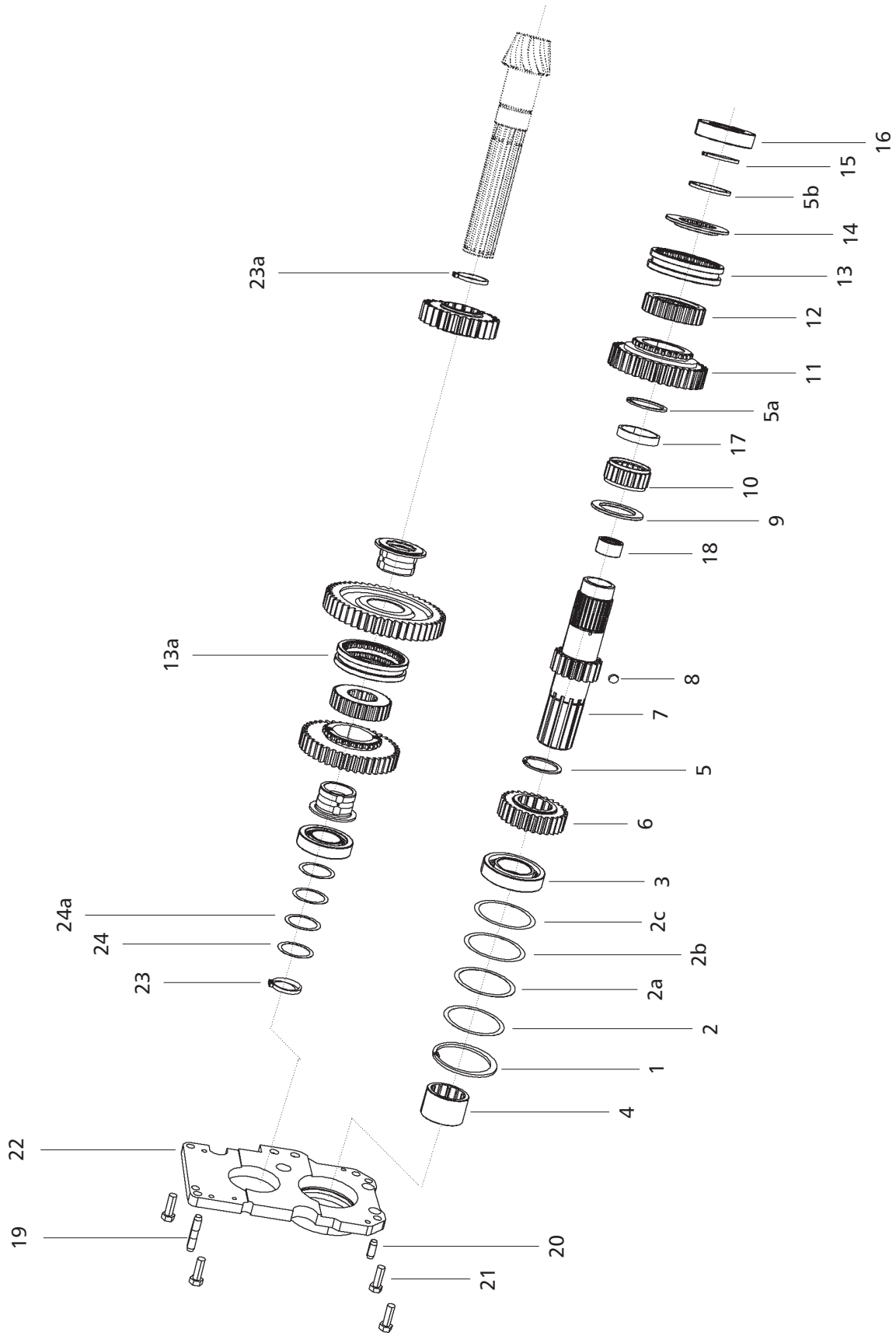
M&M Part Number	Ref.	Description of Part	Unit Quantity		Remarks / Service Bulletin No.
			6565 4WD	6565 2WD	
006504388D1	1	CAGE Bearing cum Brake L.H	1	1	
000016163P04	2	BOLT Hex head. M12 x 1.25 x 30	12	12	
000016163P04	2a	BOLT Hex head. M12 x 1.25 x 30	12	12	
000016165P04	3	SHIM 0.1	AR	AR	
000016166P04	3a	SHIM 0.2	AR	AR	
000016167P04	3b	SHIM 0.4	AR	AR	
000016168P04	3c	SHIM 0.8	AR	AR	
0000000BE	4	BEARING Taper Roller (482/472)	1	1	
0000000BE	4a	BEARING Taper Roller (482/472)	1	1	
000016164P04	5	DIFFERENTIAL Sub Assy L.H and R.H	1	1	
000013921P04	6	LOCK PLATE	6	6	
000016468P04	7	BOLT M10 x 1.25 x 30	12	12	
006503267D1	8	PIN Differential Pinion	4	4	
000012252P04	9	WASHER THRUST	4	4	
000012102P04	10	PINION Differential (13-TEETH)	4	4	
000012406P04	11	WASHER THRUST-LH Diff Bevel Gear	1	1	
000012407P04	12	WASHER THRUST-RH Diff Bevel Gear	1	1	
000012065P04	13	GEAR BEVEL Differential LH (24-Teeth)	1	1	
000012101P04	14	GEAR BEVEL Differential RH (24-Teeth)	1	1	
000012513P04	15	PIN Dowel Dia .12 h8 x 22	1	1	
006503329D91	16	SET of TWO Consists Of :	1	1	
000012003P04		▶ GEAR SPIRAL BEVEL	1	1	
000012002P04		▶ SHAFT SPIRAL PINION	1	1	
000013919P04	17	LOCK PLATE Diff Case	4	4	
005553022R1	18	BOLT M10 x 75	4	4	
000016631P04	19	BOLT Hex head M10 x 40	4	4	
006504389D1	20	CAGE Bearing cum Brake R.H	1	1	

Spline Shaft



M&M Part Number	Ref.	Description of Part	Unit Quantity		Remarks / Service Bulletin No.
			6565 4WD	6565 2WD	
000012166P04	1	NUT LOCK Spiral Pinion Bevel Shaft	1	1	
0000000BR	2	BEARING Trans Spline Shaft (Rear)	1	1	
000013898P04	3	BOLT M12 x 40	4	4	
006503570D01	4	CAGE Trans Spiral Pinion	1	1	
0000000BQ	5	BEARING Trans Spline Shaft (Front)	1	1	
000012367P04	6	SPACER GRADED -Spiral Bevel Pinion Shaft 6.55 TH	1 OR	1 OR	
006503163D1	6	SPACER GRADED -Spiral Bevel Pinion Shaft 6.575TH	1 OR	1 OR	
000012368P04	6	SPACER GRADED -Spiral Bevel Pinion Shaft 6.6 TH	1 OR	1 OR	
006503164D1	6	SPACER GRADED -Spiral Bevel Pinion Shaft 6.625TH	1 OR	1 OR	
000012369P04	6	SPACER GRADED -Spiral Bevel Pinion Shaft 6.65 TH	1 OR	1 OR	
000012370P04	6	SPACER GRADED -Spiral Bevel Pinion Shaft 6.7 TH	1 OR	1 OR	
006503165D1	6	SPACER GRADED -Spiral Bevel Pinion Shaft 6.675TH	1 OR	1 OR	
000012371P04	6	SPACER GRADED -Spiral Bevel Pinion Shaft 6.71 TH	1 OR	1 OR	
006503166D1	6	SPACER GRADED -Spiral Bevel Pinion Shaft 6.725TH	1 OR	1 OR	
006503167D1	6	SPACER GRADED -Spiral Bevel Pinion Shaft 6.775TH	1 OR	1 OR	
000012490P04	6	SPACER GRADED -Spiral Bevel Pinion Shaft 6.8 TH	1 OR	1 OR	
006503168D1	6	SPACER GRADED -Spiral Bevel Pinion Shaft 6.825TH	1 OR	1 OR	
000012491P04	6	SPACER GRADED -Spiral Bevel Pinion Shaft 6.85TH	1 OR	1 OR	
006503169D1	6	SPACER GRADED -Spiral Bevel Pinion Shaft 6.875TH	1 OR	1 OR	
000012492P04	6	SPACER GRADED -Spiral Bevel Pinion Shaft 6.9 TH	1 OR	1 OR	
006503170D1	6	SPACER GRADED -Spiral Bevel Pinion Shaft 6.925TH	1 OR	1 OR	
000012493P04	6	SPACER GRADED -Spiral Bevel Pinion Shaft 6.95TH	1 OR	1 OR	
006503171D1	6	SPACER GRADED -Spiral Bevel Pinion Shaft 6.975TH	1 OR	1 OR	
000012494P04	6	SPACER GRADED -Spiral Bevel Pinion Shaft 7.0 TH	1 OR	1 OR	
006503172D1	6	SPACER GRADED -Spiral Bevel Pinion Shaft 7.025TH	1 OR	1 OR	
000012495P04	6	SPACER GRADED -Spiral Bevel Pinion Shaft 7.05 TH	1 OR	1 OR	
006503173D1	6	SPACER GRADED -Spiral Bevel Pinion Shaft 7.075TH	1 OR	1 OR	
000012496P04	6	SPACER GRADED -Spiral Bevel Pinion Shaft 7.1 TH	1	1	
006503573D1	7	SHIM Spiral Pinion Shaft TRB Cage 0.1 Thick	AR	AR	
006503574D1	7a	SHIM Spiral Pinion Shaft TRB Cage 0.2 Thick	AR	AR	
006503572D1	7b	SHIM Spiral Pinion Shaft 0.8 Thick	AR	AR	
006503575D1	7c	SHIM Spiral Pinion Shaft 0.4 Thick	AR	AR	
006503571D1	7d	SHIM Spiral Pinion Shaft 0.075 Thick	AR	AR	

Range Countershaft

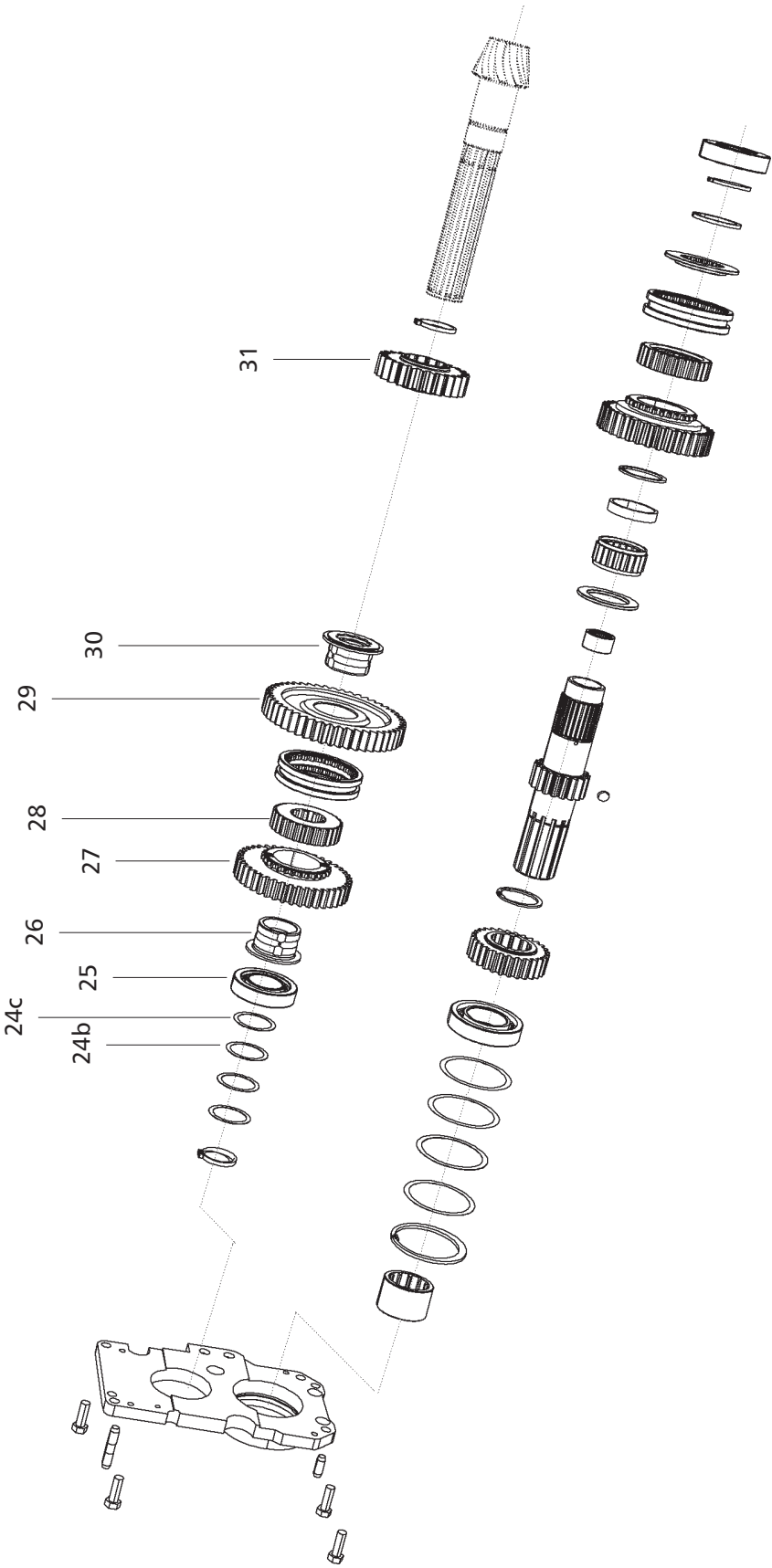


Range Countershaft

M&M Part Number	Ref.	Description of Part	Unit Quantity		Remarks / Service Bulletin No.
			6565 4WD	6565 2WD	
000012164P04	1	CIRCLIP Internal HD 100	1	1	
000012203P04	2	SHIM Range Counter Shaft - Front Retainer 1.0mm	AR	AR	
000012127P04	2a	SHIM Range Counter Shaft - Front 0.5mm	AR	AR	
000012201P04	2b	SHIM Range Counter Shaft - Front. 0.2mm	AR	AR	
000012202P04	2c	SHIM Range Counter Shaft - Front 0.1mm	AR	AR	
000012115P04	3	BALL BEARING 55 x 100 x 21	1	1	
000012104P04	4	COUPLING Speed & Range Countershaft	1	1	
000012158P04	5	SNAP RING	1	1	
000012158P04	5a	SNAP RING	1	1	
000012158P04	5b	SNAP RING	1	1	
000016279P04	6	GEAR Driving Medium	1	1	
000016361P04	7	HOLLOW COUNTER SHAFT Range Driving	1	1	
000012197P04	8	BALL Chrome Steel 3mm DIA.	1	1	
000012097P04	9	SPACER Low and Medium Driving Gear	1	1	
000016212P04	10	BEARING B55X63X32	1	1	
006504626D91	*	KIT For SHIFTING Range Gears	1	1	
006504398D1	11	GEAR Driving- High	1	1	
006504400D1	12	HUB Medium and Reverse Gear	1	1	
000016261P04	13	CONTROL SHIFTING RING	2	2	
000016261P04	13a	CONTROL SHIFTING RING	2	2	
000016379P04	14	ADAPTER Gear Driving- High	1	1	
000012159P04	15	CIRCLIP LD 50	1	1	
000012116P04	16	BALL BEARING 50 x 90 x 20	1	1	
000016395P04	17	SPACER High Driving Gear	1	1	
005551769R91	18	BEARING Needle Roller	1	1	
000016183P04	19	PIN Dowel	1	1	
000016182P04	20	PIN Dowel	1	1	
000012524P04	21	BOLT Hex head M12X35	4	4	
000016179P04	22	PLATE INTERMEDIATE	1	1	
000012165P04	23	CIRCLIP External SPIRAL PINION SHAFT HD 45	1	1	
000012165P04	23a	CIRCLIP External SPIRAL PINION SHAFT	1	1	
000012199P04	24	SHIM Spiral Bevel Pinion Shaft Front 0.6mm	AR	AR	
000012200P04	24a	SHIM Spiral Bevel Pinion Shaft Front 0.7mm	AR	AR	

* Part Not Illustrated

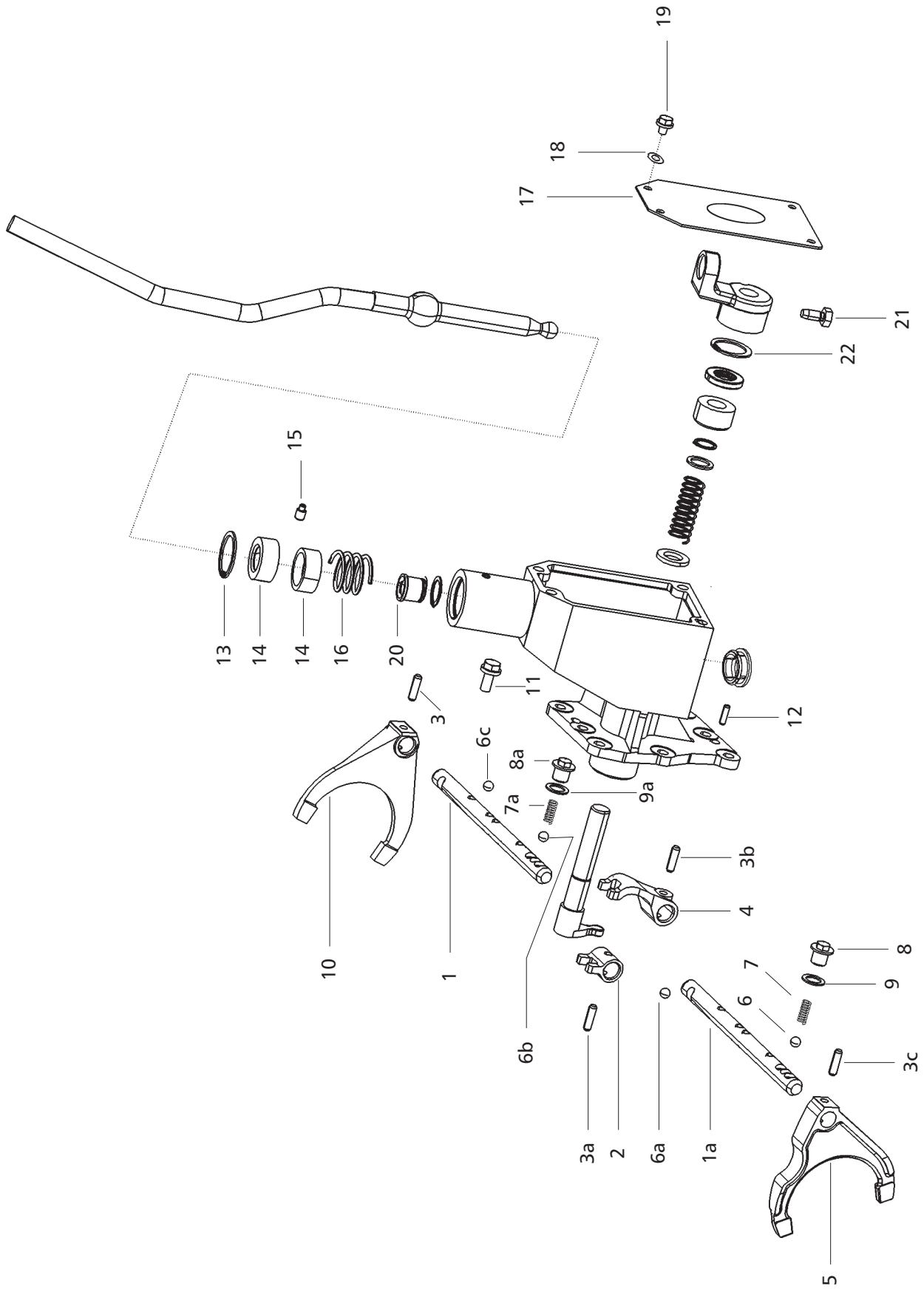
Range Countershaft



Range Countershaft

M&M Part Number	Ref.	Description of Part	Unit Quantity		Remarks / Service Bulletin No.
			6565 4WD	6565 2WD	
000012198P04	24b	SHIM Spiral Bevel Pinion Shaft Front 0.4 mm	AR	AR	
000012126P04	24c	SHIM Spiral Bevel Pinion Shaft Front 0.5 mm	AR	AR	
000012110P04	25	BALL BEARING 45 x 85 x 19	1	1	
000016387P04	26	BUSH Medium Driven Gear	1	1	
006504397D1	27	GEAR Driven Medium	1	1	
006504399D1	28	HUB High & Low Gear	1	1	
006504396D1	29	GEAR Driven Low	1	1	
000016355P04	30	BUSH 3-4 Driving Gear & Low Driven Gear	1	1	
000016478P04	31	GEAR Driven High	1	1	

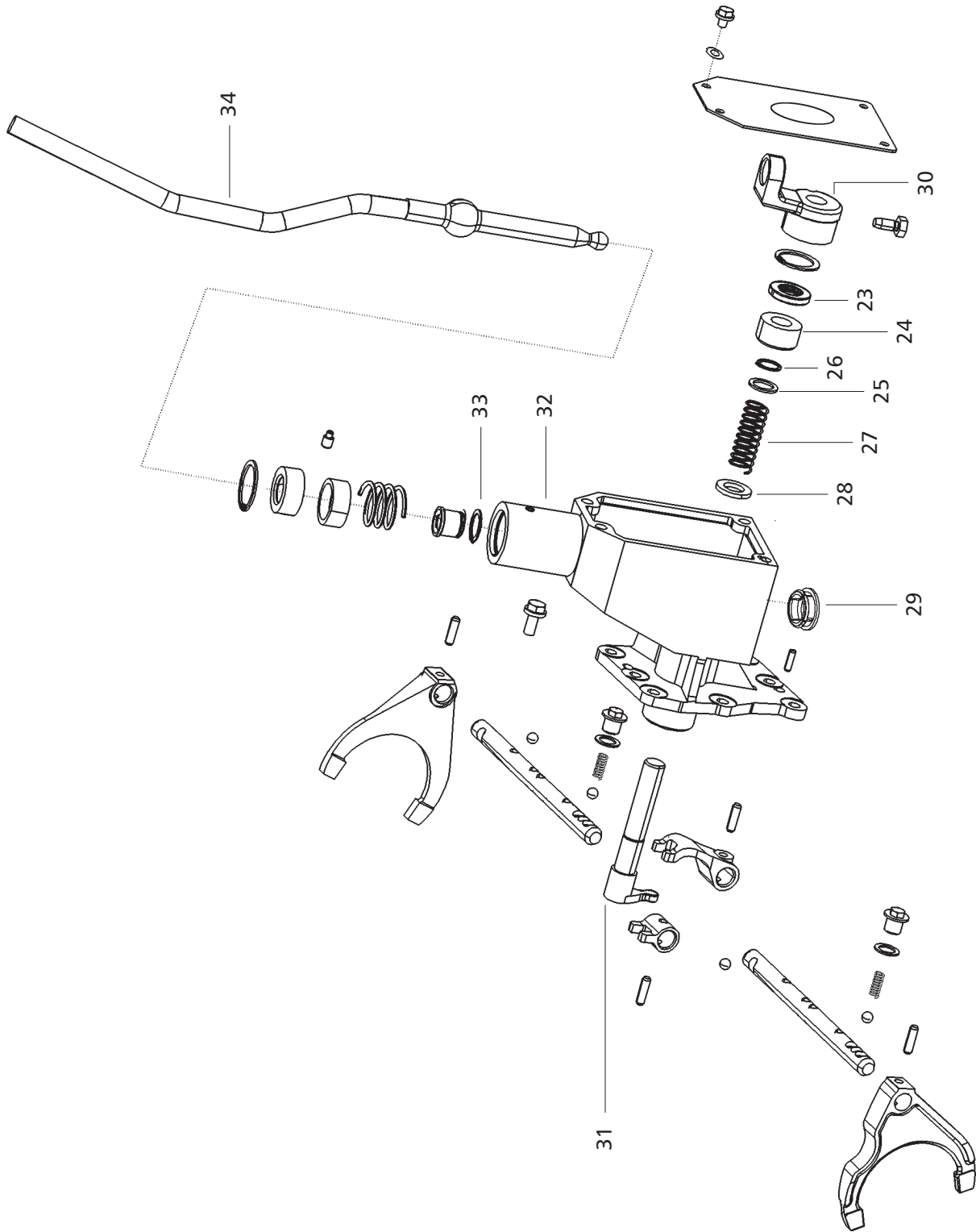
Range Shifting System



Range Shifting System

M&M Part Number	Ref.	Description of Part	Unit Quantity		Remarks / Service Bulletin No.
			6565 4WD	6565 2WD	
000016385P04	1	RAIL M / L / H Range	1	1	
000016385P04	1a	RAIL M / L / H Range	1	1	
000012075P04	2	SHIFTER BLOCK High Low Range	1	1	
000012508P04	3	SPRING DOWEL SLEEVE Dia 8 x 28	1	1	
000012508P04	3a	SPRING DOWEL SLEEVE Dia 8 x 28	1	1	
000012508P04	3b	SPRING DOWEL SLEEVE Dia 8 x 28	1	1	
000012508P04	3c	SPRING DOWEL SLEEVE Dia 8 x 28	1	1	
000012076P04	4	SHIFTER BLOCK Medium-Reverse Range	1	1	
000012489P04	5	FORK Medium-Reverse Range	1	1	
001082178R1	6	BALL STEEL 13/32"	1	1	
001082178R1	6a	BALL STEEL 13/32"	1	1	
001082178R1	6b	BALL STEEL 13/32"	1	1	
001082178R1	6c	BALL STEEL 13/32"	1	1	
006502304R1	7	SPRING Gear Shifter Poppet	1	1	
006502304R1	7a	SPRING Gear Shifter Poppet	1	1	
000016100P04	8	BOLT M16 x 2	1	1	
000016100P04	8a	BOLT M16 x 2	1	1	
000012488P04	9	COPPER WASHER	1	1	
000012488P04	9a	COPPER WASHER	1	1	
000016386P04	10	FORK M L Range	1	1	
000020313E05	11	BOLT Flanged Hex. Head M10 x 25	8	8	
000012196P04	12	PIN Dowel Gear Shifting Housing	2	2	
000012188P04	13	CIRCLIP Internal	1	1	
000012010P04	14	SPHERICAL HALF Gear Shifter Lever	2	2	
000012011P04	15	PIN LOCKING Gear Shifter Lever	1	1	
000012041P04	16	SPRING Gear Shifter Lever	1	1	
000012012P04	17	PLATE COVER Speed Gear Shifter Housing	1	1	
000934309R1	18	WASHER M8 Spring Lock	4	4	
000031296B12	19	BOLT M8 x 16	4	4	
000013939P04	20	BUSH Cam Link	1	1	
000012497P04	21	BOLT Hex head	1	1	
000012189P04	22	CIRCLIP Internal	1	1	

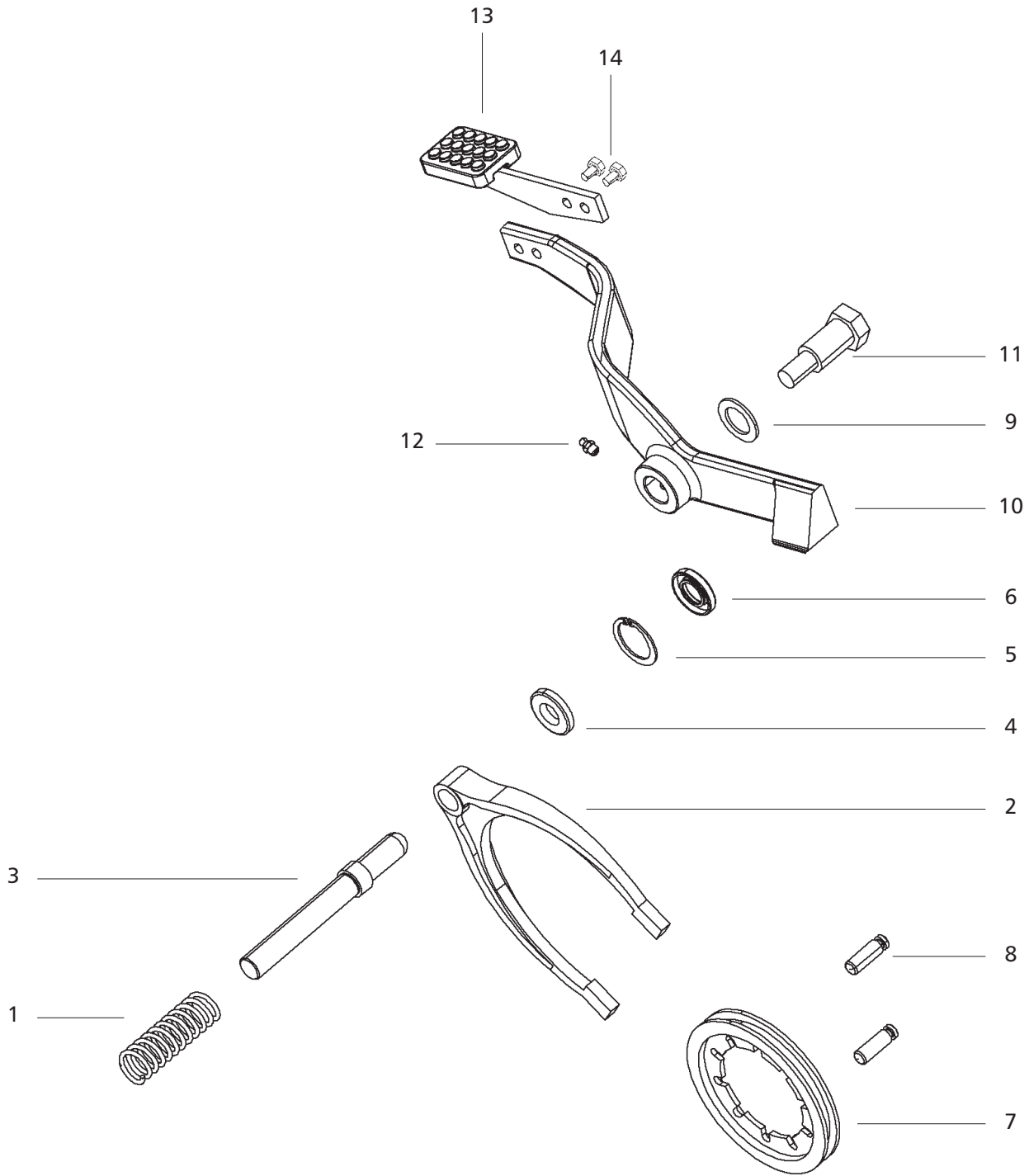
Range Shifting System



Range Shifting System

M&M Part Number	Ref.	Description of Part	Unit Quantity		Remarks / Service Bulletin No.
			6565 4WD	6565 2WD	
000013859P04	23	OIL SEAL 20 x 40 x 7	1	1	
000012018P04	24	BUSH	1	1	
000012019P04	25	SPACER Small Cam	1	1	
000012192P04	26	CIRCLIP External Cam (20 DIA.)	1	1	
000012040P04	27	SPRING Inner Cam	1	1	
000012020P04	28	SPACER Big Cam	1	1	
000012033P04	29	PLUG Shifter Housing	1	1	
000012073P04	30	CAM LINK Gear Shifter Lever	1	1	
006504623D1	31	CAM Range	1	1	
000013880P04	32	HOUSING Range Shifter - Integral	1	1	
000704589R1	33	CIRCLIP External 24 mm	1	1	
007600300D1	34	LEVER Range	1	1	

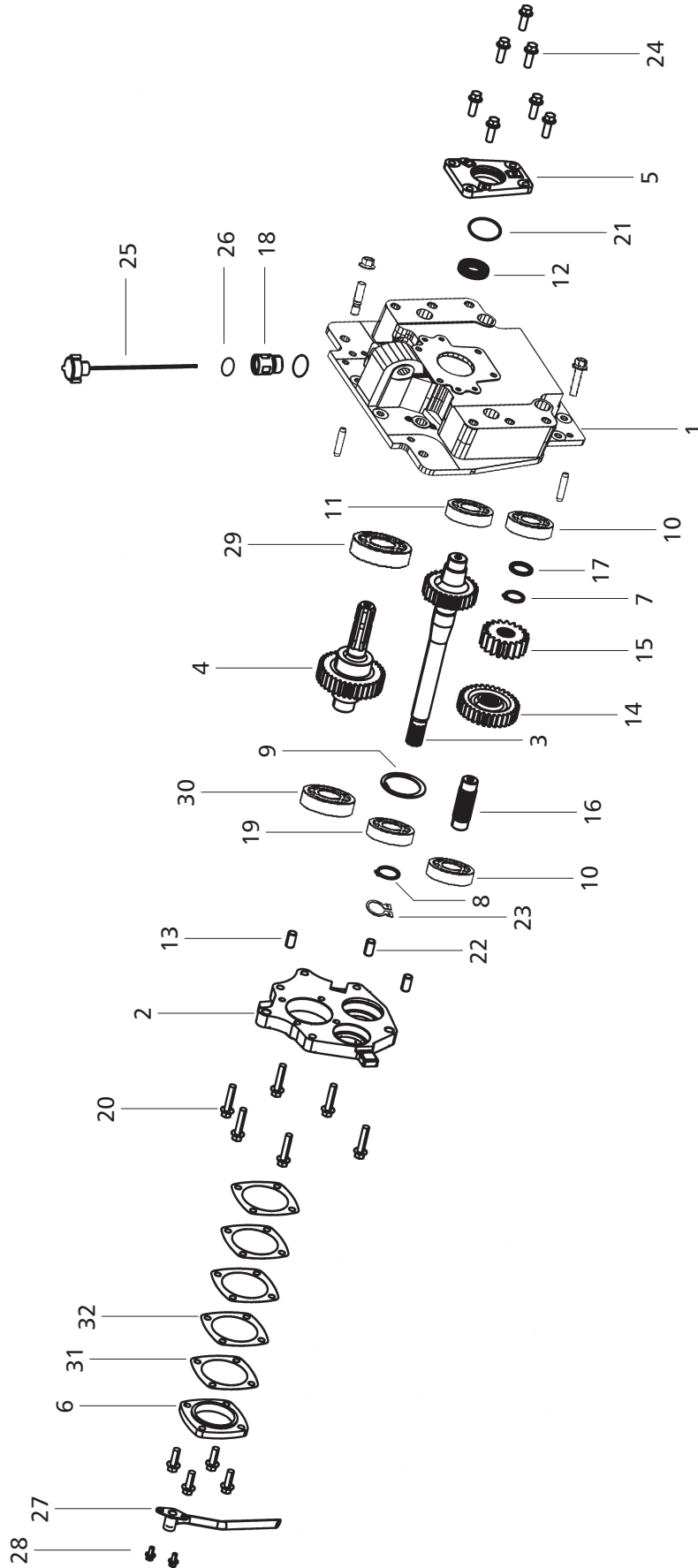
Differential Lock System



Differential Lock System

M&M Part Number	Ref.	Description of Part	Unit Quantity		Remarks / Service Bulletin No.
			6565 4WD	6565 2WD	
000016175P04	1	SPRING Diff Lock	1	1	
000016173P04	2	FORK Diff Lock	1	1	
000016174P04	3	SHAFT Diff Lock	1	1	
000016176P04	4	GUIDE BUSH Diff Lock	1	1	
000012189P04	5	CIRCLIP Internal	1	1	
000013859P04	6	OIL SEAL 20 x 40 x 7	1	1	
000016172P04	7	RING SHIFTER Diff Lock	1	1	
000016171P04	8	PIN Diff Lock	10	10	
000012944P04	9	WASHER Plain PTO Clutch Lever	1	1	
007601819D1	10	PEDAL Differential Lock	1	1	
007600254D2	11	BOLT Diff Lock Pedal	1	1	
000109462P04	12	GREASE NIPPLE 1/8"-27 PTF, 90°	1	1	
007600932D1	13	PEDAL END For Diff Lock	1	1	
000060684M01	14	SCREW	2	2	

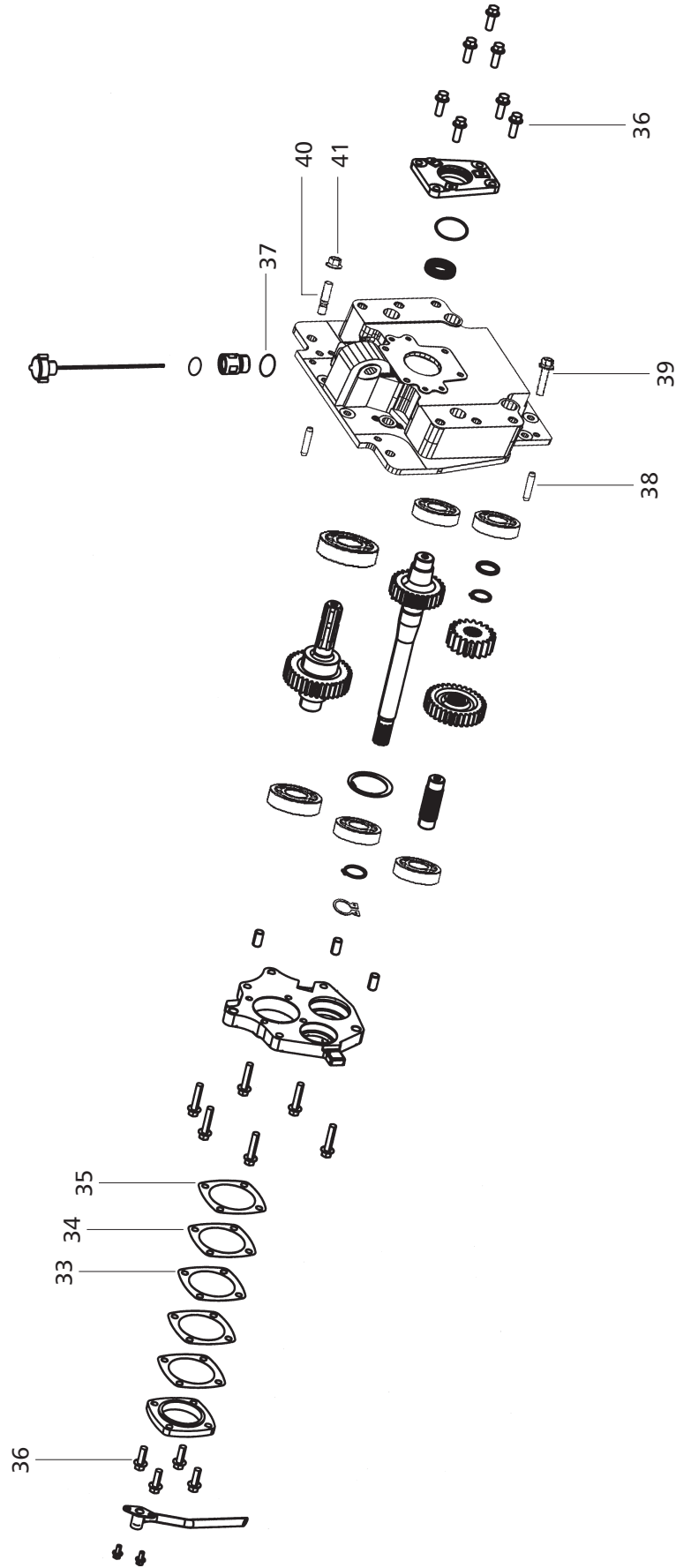
Single Speed PTO



Single Speed PTO

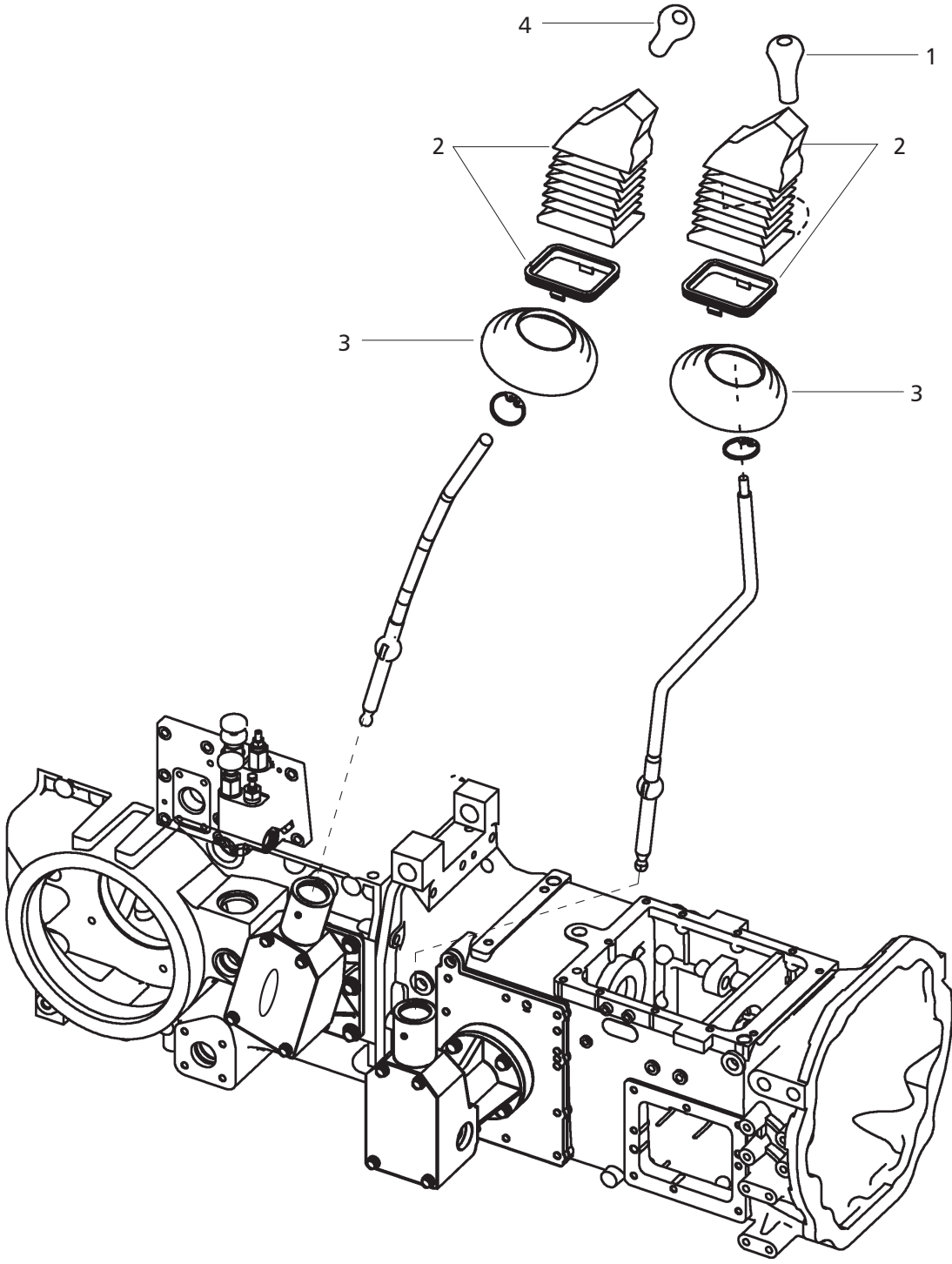
M&M Part Number	Ref.	Description of Part	Unit Quantity		Remarks / Service Bulletin No.
			6565 4WD	6565 2WD	
006503596D1	1	HOUSING Single PTO-CD-112	1	1	
006503593D1	2	INTERMEDIATE Plate Rear	1	1	
006503428D1	3	SHAFT Intermediate Single Speed	1	1	
006503599D1	4	SHAFT PTO Output	1	1	
006503600D1	5	PTO Oil Seal Retainer	1	1	
006503601D1	6	BEARING Retainer Cap	1	1	
000012228D1	7	CIRCLIP Ext-HD33	1	1	
000012185P04	8	CIRCLIP External	1	1	
000016308P04	9	CIRCLIP Internal	1	1	
000016464P04	10	CR Bearing NJ 306	2	2	
000016299P04	11	BEARING Ball - 35 x 80 x 21	1	1	
006503006R91	12	OIL SEAL (casste type)	1	1	
006503534D1	13	LOCATION Sleeve for IDBH-M12	2	2	
006503430D1	14	PTO Idler Gear	1	1	
006503443D1	15	GEAR PTO Idler-Single Speed	1	1	
006503442D1	16	SHAFT PTO Idler-Single Speed	1	1	
006503444D1	17	SPACER PTO Idler-Single Speed	1	1	
006503582D1	18	CONNECTOR Dipstick	1	1	
0000000HC	19	CR Bearing Nup 208-40x80x18	1	1	
000013899P04	20	BOLT M12 x 55-GR 10.9	6	6	
000013366P04	21	O-RING Dia 82.22 x 2.62	1	1	
005552637R1	22	BUSH PTO Shaft Rear	1	1	
000012230P04	23	CIRCLIP Ext.	1	1	
000020310E05	24	BOLT Flg M8 x 35-8.8	3	3	
000016655P04	25	DIPSTICK cum Breather	1	1	
000016656P04	26	O-RING 22.7 x 2.8	1	1	
000016634P04	27	FLANGE Pipe Return	1	1	
000012190P04	28	BOLT Hex. M8 x 12	2	2	
0000000BQ	29	BEARING Taper Roller 482/472	1	1	
006503521D1	30	BEARING Taper Roller 30308	1	1	
006503602D1	31	SHIM TRB 0.075 Thk	AR	AR	
006503603D1	32	SHIM TRB 0.05 Thk	AR	AR	

Single Speed PTO



M&M Part Number	Ref.	Description of Part	Unit Quantity		Remarks / Service Bulletin No.
			6565 4WD	6565 2WD	
006503604D1	33	SHIM TRB 0.2 Thk	AR	AR	
006503605D1	34	SHIM TRB 0.3 Thk	AR	AR	
006503606D1	35	SHIM TRB 0.5 Thk	AR	AR	
000016469P04	36	BOLT Flange M12 x 35	8	8	
000016654P04	37	O-RING 29.7 x 2.8	1	1	
000016219P04	38	DOWEL Pin Rear Plate to Rear Housing	2	2	
000013898P04	39	BOLT Hex. Hd. M12 x 40 Flanged	10	10	
000012502P04	40	STUD M12 x 35 IS 1862	3	3	
007535360D1	41	NUT Hex. Flange M12 Yellow Plated	3	3	

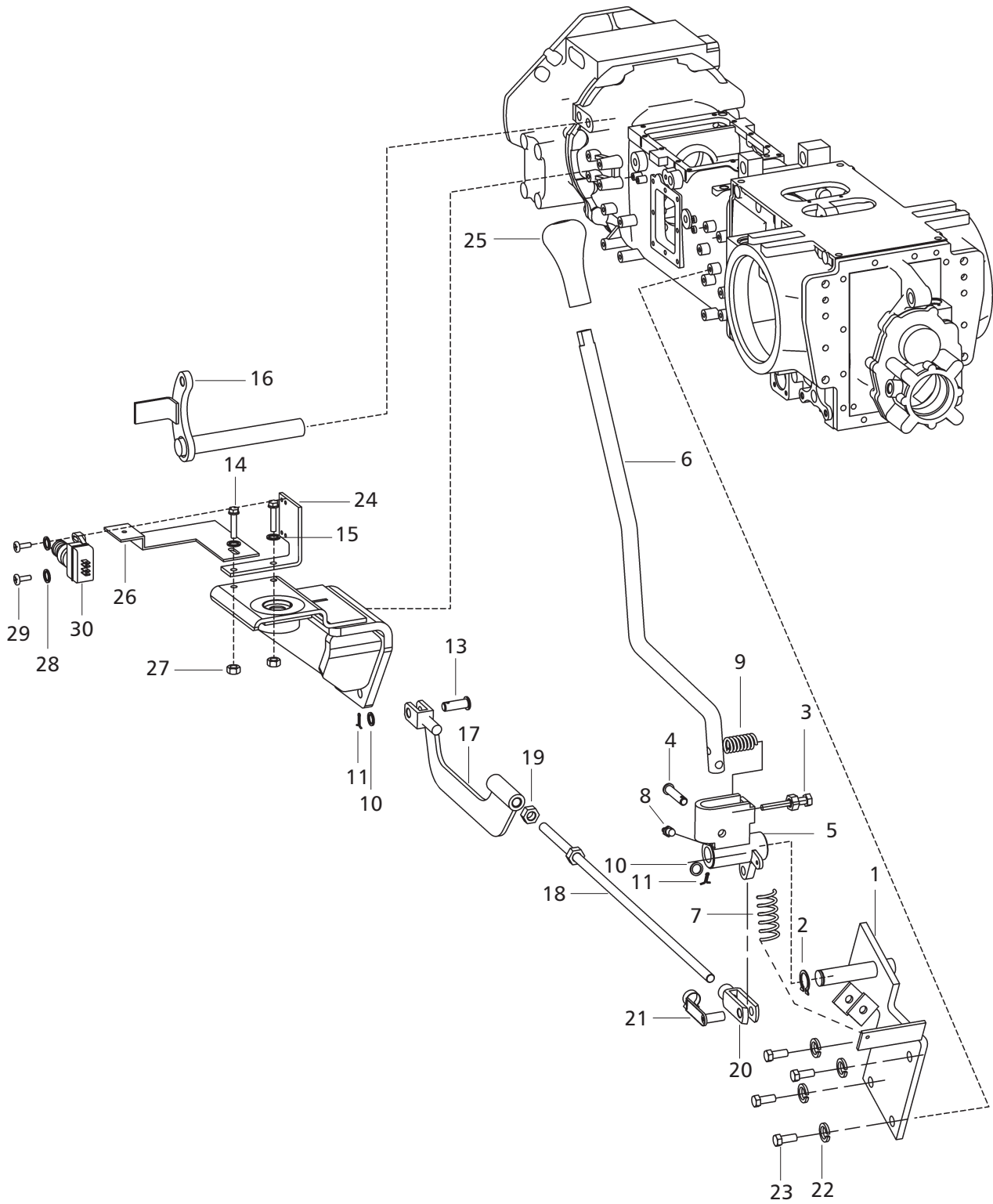
Speed and Range Gear Shift Levers



Speed and Range Gear Shift Levers

M&M Part Number	Ref.	Description of Part	Unit Quantity		Remarks / Service Bulletin No.
			6565 4WD	6565 2WD	
000013188P04	1	KNOB Gear Shifter Lever	1	1	
007600655D91	2	RUBBER BOOT Upper	2	2	
007600106D1	3	RUBBER BOOT Lower	2	2	
007600440D1	4	KNOB for Range Lever	1	1	

IPTO Outer Linkages



Applicable from Tractor Cut Off Number

6565 4WD

KPS 1337

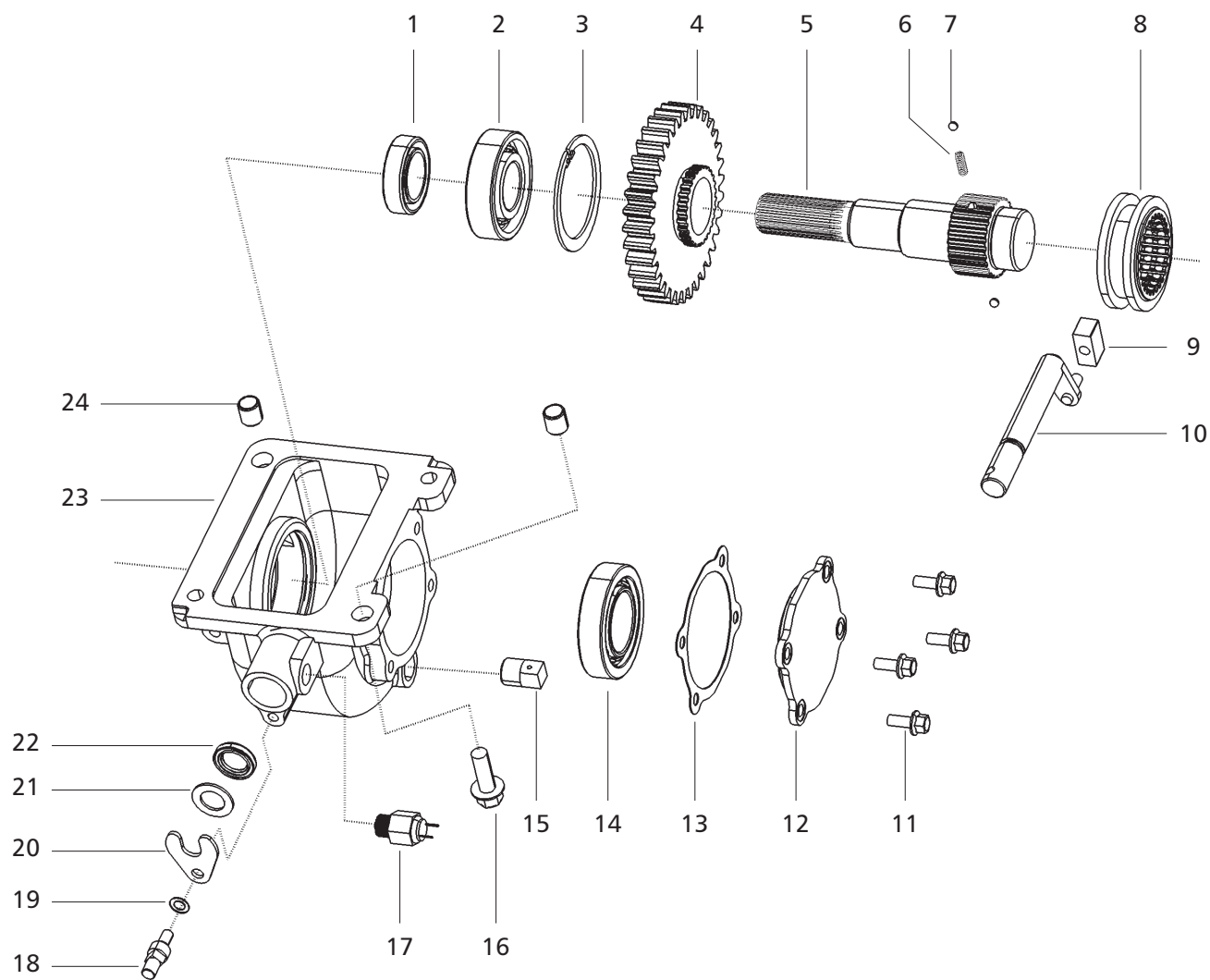
6565 2WD

KPT 1134

IPTO Outer Linkages

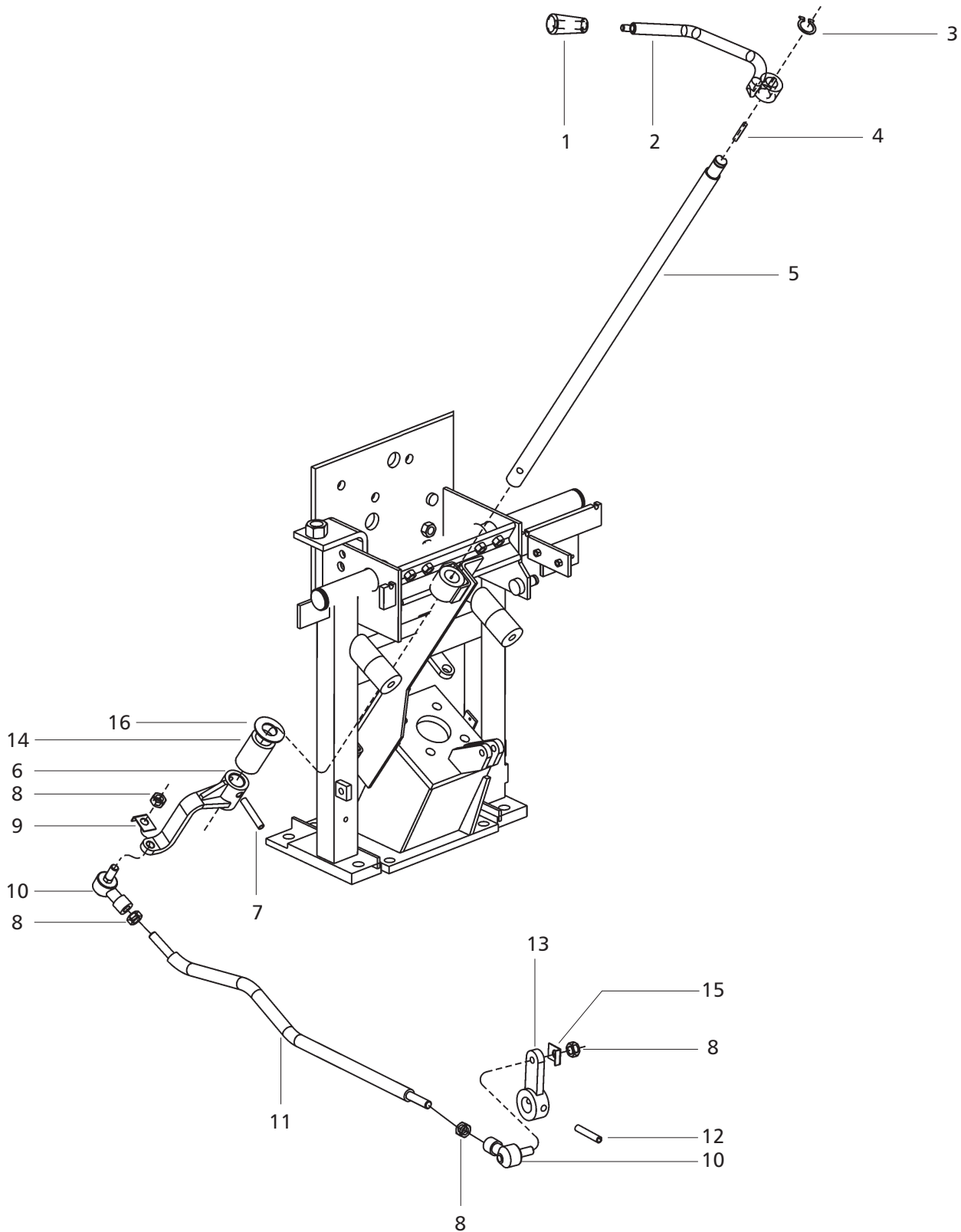
M&M Part Number	Ref.	Description of Part	Unit Quantity		Remarks / Service Bulletin No.
			6565 4WD	6565 2WD	
007600573D1	1	BRACKET PTO Clutch Mounting	1	1	
000012456P04	2	CIRCLIP External-18 x 1.2	1	1	
000012939P04	3	BOLT GUIDE SPRING	1	1	
000012940P04	4	PIN CLEVIS Dia.9	1	1	
007602941D1	5	SLEEVE PTO Lever Assy. Single Link	1	1	
007602316D1	6	LEVER PTO Clutch	1	1	
005550488R1	7	SPRING	1	1	
000109462	8	GREASE NIPPLE 1/8 - 27 PTF	1	1	
000012938P04	9	SPRING PTO Clutch Lever	1	1	
000012914P04	10	WASHER Plain 10 Dia.	2	2	
000103373	11	PIN Cotter 3/32 x 3/4	2	2	
005553017R1	12	NUT M8 x 1.25 69 06 08 04	1	1	
000012848P04	13	PIN Joint 10 Dia	1	1	
000020312E05	14	BOLT M6 x 1 x 20	2	2	
001233808R1	15	WASHER M6	2	2	
007602937D1	16	BEL Crank Shaft PTO Clutch NDC	1	1	
007602940D1	17	CONNECTING SLPTO Bel Crank	1	1	
007602938D1	18	ROD PTO Clutch Lever	1	1	
000012645P04	19	NUT Flanged M10 x 1.25	1	1	
007600776D1	20	YOKE Standard M10 x 1.25	1	1	
000012935P04	21	YOKE Lock Pin	1	1	
005555988R1	22	WASHER M10 Spring Lock	4	4	
000030020R1	23	BOLT M10 x 1.5 x 25 L	4	4	
007603038D1	24	BRACKET IPTO Safety Neutral Switch	1	1	
007600828D1	25	KNOB IPTO	1	1	
006002449F1	26	Z CLAMP Isolator Mounting Bracket	1	1	
001233807R1	27	NUT M6 x 1 Zink Plated	2	2	
000060809M01	28	WASHER M4 Spring Lock	2	2	
000060972M01	29	NUT M6 x 1 Zink Plated	2	2	
000013058P04	30	SAFETY Neutral Switch	1	1	
Applicable from Tractor Cut Off Number					
6565 4WD		KPS 1337	6565 2WD		KPT 1134

Transfer Case



M&M Part Number	Ref.	Description of Part	Unit Quantity		Remarks / Service Bulletin No.
			6565 4WD	6565 2WD	
0000000RY	1	OILSEAL	1	-	
000016299P04	2	BEARING	1	-	
000016308P04	3	SNAP RING	1	-	
000016479P04	4	GEAR	1	-	
000016302P04	5	DRIVE SHAFT	1	-	
000016300P04	6	SPRING	1	-	
000016293P04	7	BALL STEEL 1/4"	2	-	
000016305P04	8	COLLAR LOCKING	1	-	
000016304P04	9	CHOCK BLOCK	1	-	
000016303P04	10	ARM	1	-	
000020307E05	11	BOLT Flanged Hex. Head M8 x 1.25 x 20	4	-	
000016296P04	12	COVER	1	-	
000016297P04	13	GASKET	1	-	
000012110P04	14	BALL BEARING	1	-	
005556422R1	15	PLUG Magnetic Drain 1/2-14NPTF	1	-	
000016469P04	16	BOLT Flanged M12X35	4	-	
000013061P04	17	SWITCH 4 WD	1	-	
000016324P04	18	STOPPER	1	-	
000060686M01	19	WASHER Plain M-8	1	-	
000016322P04	20	PLATE LOCKING	1	-	
000016321P04	21	WASHER Sealing Drop Box	1	-	
0000000RU	22	OILSEAL PTO Shifter Bracket	1	-	
000016319P04	23	TRANSFER Case	1	-	
000016310P04	24	LOCTION SLEEVE	2	-	

F-R Shuttle Mechanism

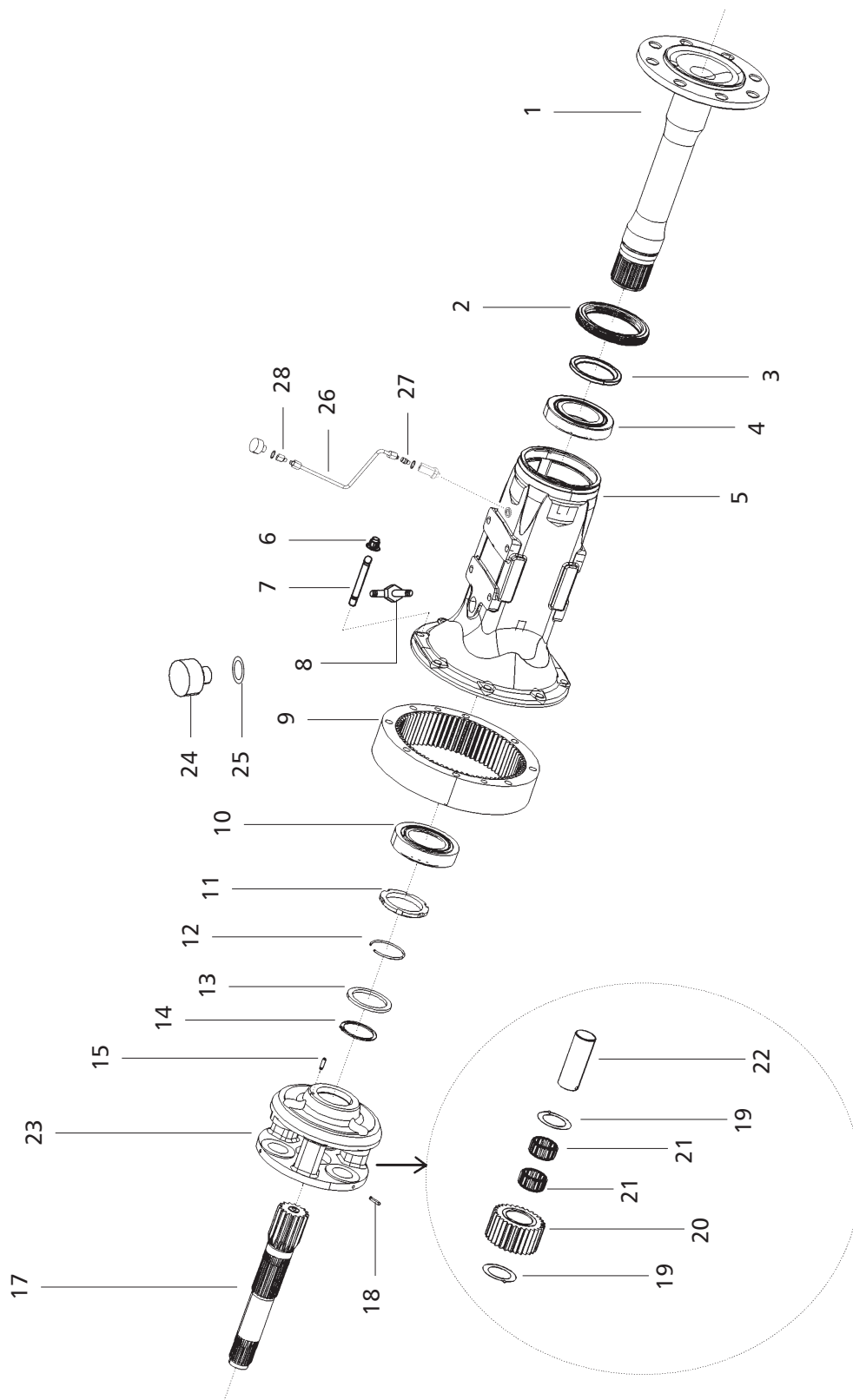


F-R Shuttle Mechanism

M&M Part Number	Ref.	Description of Part	Unit Quantity		Remarks / Service Bulletin No.
			6565 4WD	6565 2WD	
007600931D1	1	KNOB F-R Shuttle	1	1	
007601696D1	2	LEVER F-R linkage	1	1	
007535084C1	3	CIRCLIP	1	1	
007535117C1	4	KEY	1	1	
007601697D1	5	SHAFT F-R shuttle Linkage	1	1	
007601695D1	6	LEVER F-R shuttle Linkage	1	1	
000010778P03	7	ROLL PIN 8 x 45	1	1	
005554365R1	8	NUT M10 x 1.5	4	4	
000016392P04	9	LOCK PLATE	2	2	
006500931C91	10	BALL JOINT	2	2	
007601693D1	11	HORIZONTAL LINK	1	1	
000012508P04	12	SPRING DOWEL SLEEVE Dia 8 x 28	1	1	
007601700D1	13	LEVER	1	1	
007601735D1	14	SPACER	1	1	
000032375B12	15	LOCK PLATE	1	1	
000049405H	16	SPACER	1	1	

FINAL DRIVE & BRAKES

Rear Axle and Mounting

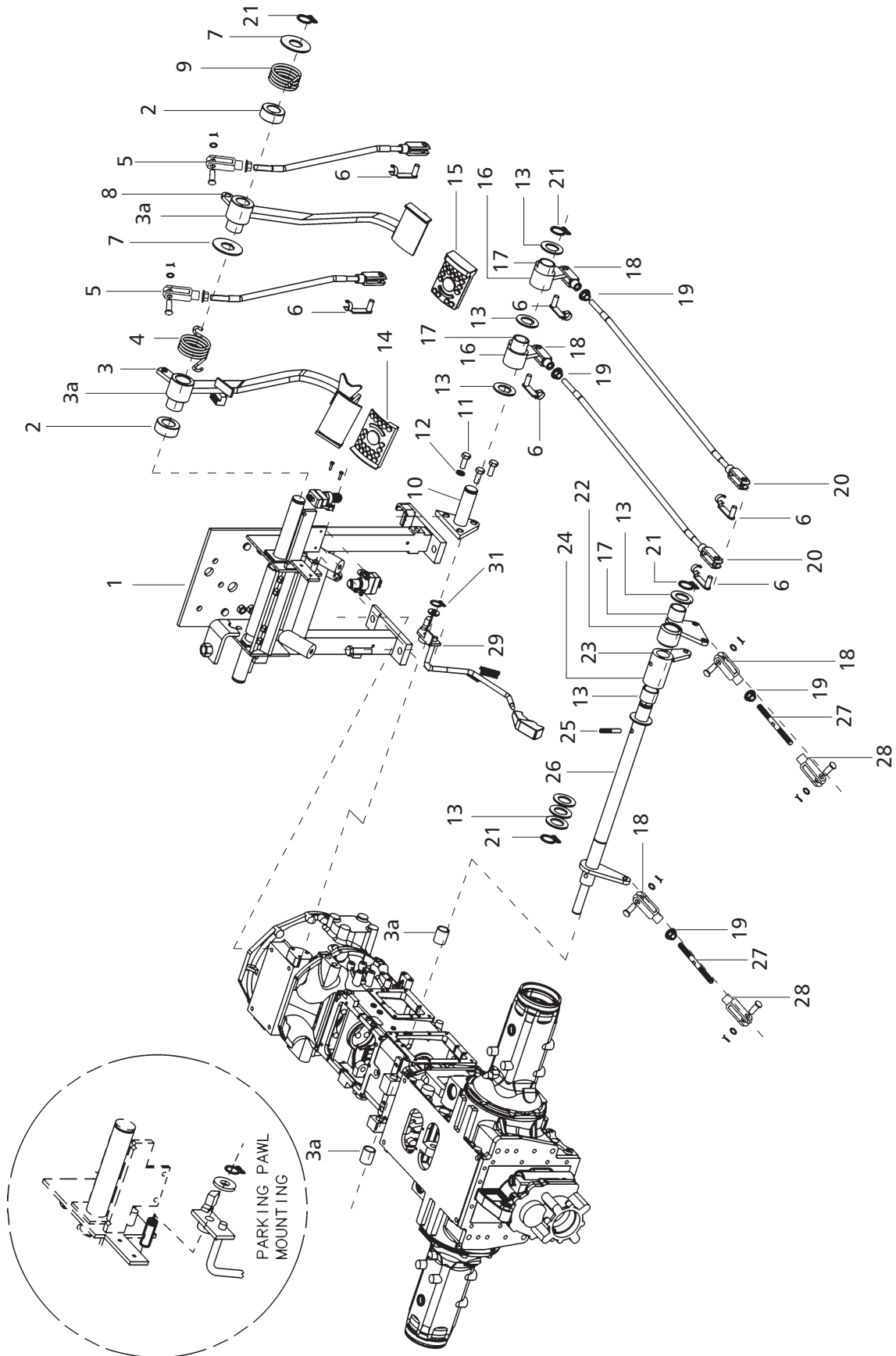


Rear Axle and Mounting

M&M Part Number	Ref.	Description of Part	Unit Quantity		Remarks / Service Bulletin No.
			6565 4WD	6565 2WD	
000016399P04	1	REAR Axle	2	2	
000012285P04	2	OIL SEAL Rear Axle LH & RH	2	2	
000012467P04	3	SPACER	2	2	
000012264P04	4	BEARING Taper Roller RR.Axle LH/RH HD	2	2	
006505028D1	5	REAR Axle Carrier	2	2	
007535360D1	6	NUT Flanged Hex M12	16	16	
006506097D1	7	STUD M12 x 120	16	16	
006503362D1	8	ADAPTER for Breather	2	2	
000012272P04	9	GEAR Ring Internal	2	2	
0000000BE	10	BEARING Taper Roller (482/472)	2	2	
000012427P04	11	NUT LOCK Rear Axle Taper Roller Bearing	2	2	
000012429P04	12	CIRCLIP Wire Type	2	2	
000012431P04	14	CIRCLIP External - 60 x 2	2	2	
000012428P04	15	SPRING Dowel Sleeve Preloading Lock Nut	2	2	
000012268P04	17	SHAFT -Sun Gear	2	2	
000012438P04		PLANETARY Gears Carrier Assembly Consisting of :	2	2	
000012430P04	13	▶ SPACER	2	2	
000012415P04	18	▶ SPRING Dowel Pin Din 1481- 6 x 24	6	6	
000012432P04	19	▶ WASHER Thrust	12	12	
000012269P04	20	▶ GEAR Planetary	6	6	
000016397P04	21	▶ NRB needle cage K42.422 x 51.948 x 25.4	12	12	
000012436P04	22	▶ PLANETARY Axle	6	6	
000012270P04	23	▶ PLANETARY Carrier	2	2	
006503363D1	24	BREATHER	2	2	
006503393D1	25	WASHER Breather	2	2	
006504627D91	*	KIT - A for Breather - R.A.C consists of			
006504348D1	26	▶ PIPE Breather L.H.	1	1	
006504346D1	27	▶ COUPLING Male Stud-Parallel	2	2	
005556339R1	*	▶ DOWTY washer	4	4	
006504347D1	28	▶ COUPLING Female Stud-Parallel	2	2	
006504350D1	*	▶ PIPE Breather R.H.	1	1	

* Part Not Illustrated

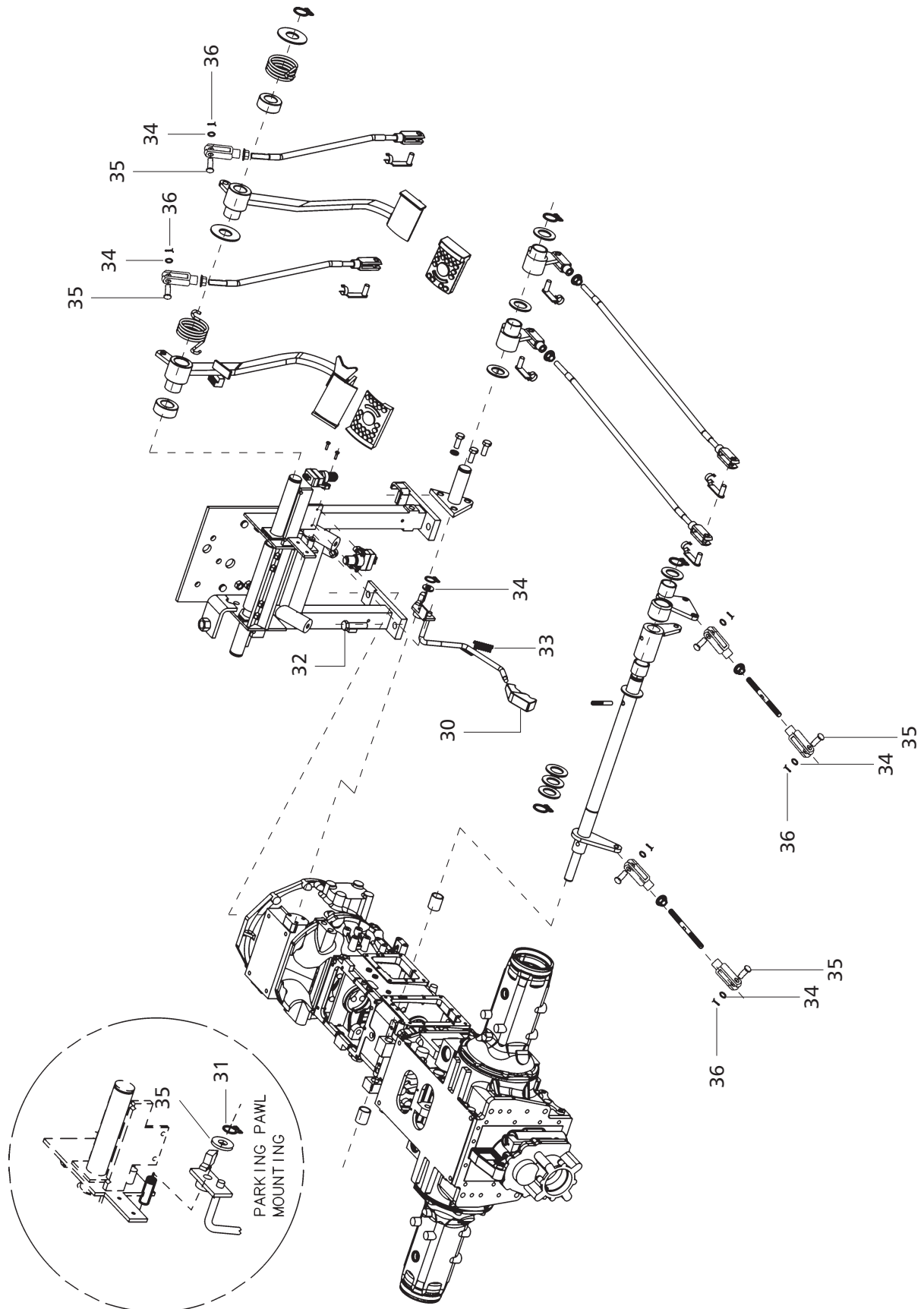
Brake Pedal and Linkages



Brake Pedal and Linkages

M&M Part Number	Ref.	Description of Part	Unit Quantity		Remarks / Service Bulletin No.
			6565 4WD	6565 2WD	
E007602292D1	1	BRACKET MAIN CONTROL Mounting	1	1	
007600385D1	2	SPACER 28 x 32 x 35.5	2	2	
E007600799D1	3	BRAKE PEDAL LH consisting of :-	1	1	
000012770P04	3a	↳ BUSH Sintered 28 x 40L	1	1	
000012704P04	4	SPRING Torsion for LH Brake	1	1	
007600240D1	5	VERTICAL Link for Brake	3	3	
000012935P04	6	YOKE Lock Pin	6	6	
000013151P04	7	WASHER Plain 28.5 x 65 x 3	2	2	
007600237D1	8	BRAKE PEDAL RH consisting of :-	1	1	
000012770P04	3a	↳ BUSH Sintered 28 x 40L	1	1	
000012723P04	9	SPRING Torsion for RH Brake	1	1	
007600241D1	10	PIVOT SHAFT Brake	1	1	
001233891R1	11	BOLT M10 x 1.5 x 30 Hex	3	3	
005555988R1	12	WASHER M10 Spring Lock	3	3	
000012718P04	13	WASHER Plain 28 x 45 X 2.5	8	8	
007600781D1	14	RUBBER COVER for Brake Pedal LH	1	1	
007600786D1	15	RUBBER COVER for Brake Pedal RH	1	1	
007600242D1	16	PIVOT BRACKET for Brake consisting of :-	2	2	
000012713P04	17	↳ BUSH Sintered 28 x 25L	2	2	
007600229D1	18	YOKE Standard M10 x 1.25	6	6	
000012645P04	19	NUT Flanged M10 x 1.25	6	6	
007600243D1	20	HOR. LINK for Brake	2	2	
005554798R1	21	CIRCLIP External	4	4	
007600245D1	22	CONNECTING LINK RH Brake consisting of :-	2	2	
000012713P04	17	↳ BUSH Sintered 28 x 25L	2	2	
007600244D1	23	CONNECTING LINK LH Brake	2	2	
007600385D1	24	SPACER 28 x 32 x 35.5	1	1	
000012747P04	25	PIN Grooved 8 x 45	1	1	
007600570D1	26	CROSS SHAFT for Brake	1	1	
007600247D1	27	CONNECTING LINK	2	2	
007600776D1	28	YOKE Standard M10 x 1.25 LH	2	2	
007600248D1	29	PARKING Lever	1	1	

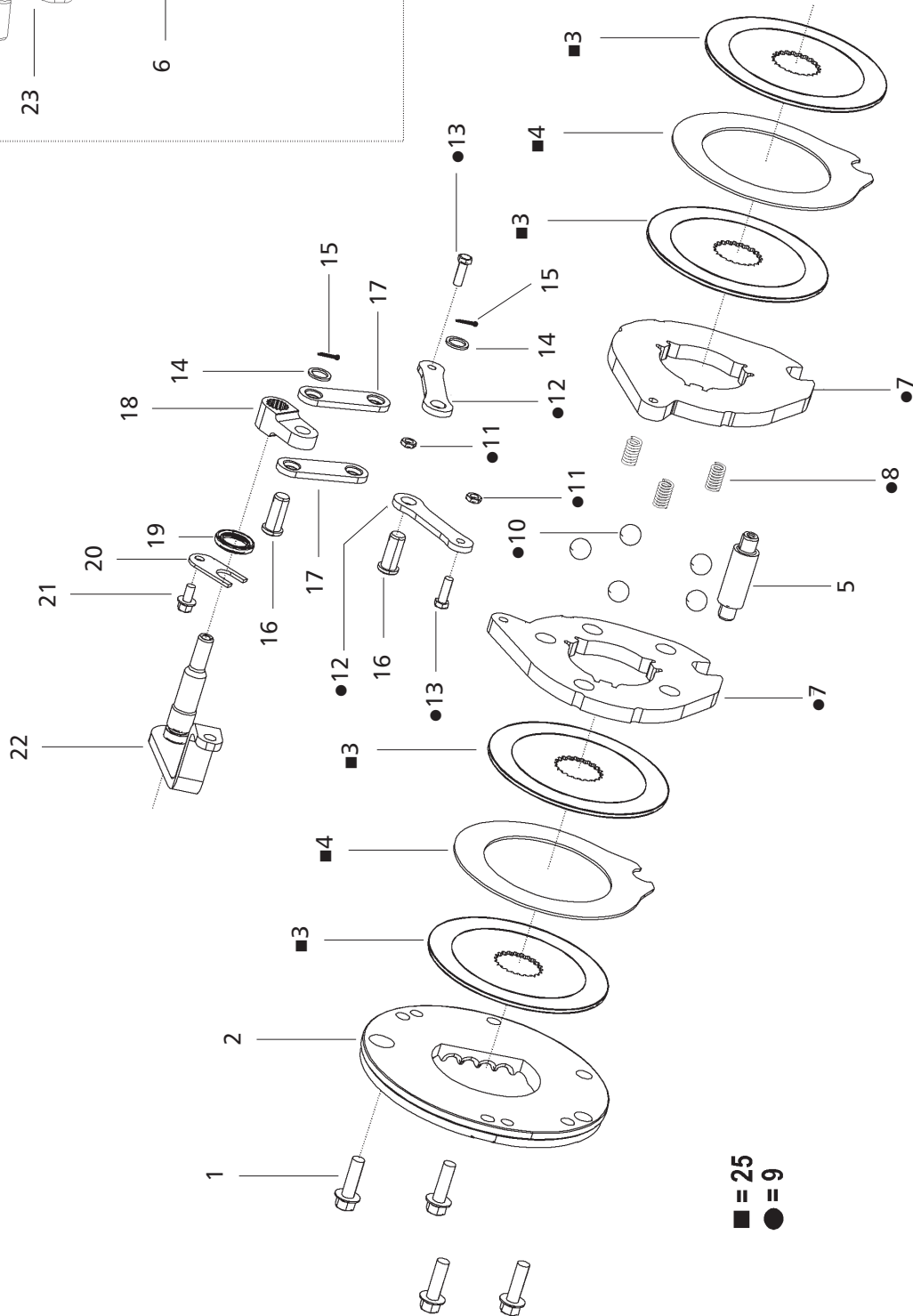
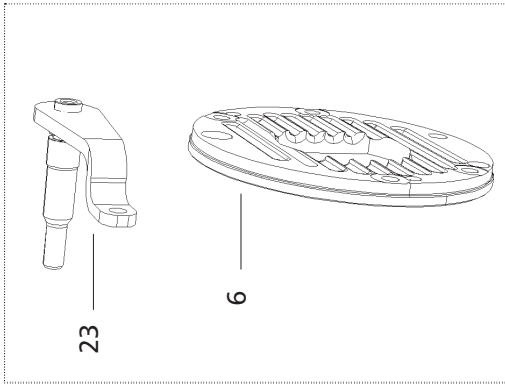
Brake Pedal and Linkages



Brake Pedal and Linkages

M&M Part Number	Ref.	Description of Part	Unit Quantity		Remarks / Service Bulletin No.
			6565 4WD	6565 2WD	
007600541D1	30	KNOB Tilt Steering Lever	1	1	
000013354P04	31	CIRCLIP Dia 12 MM	1	1	
000016469P04	32	BOLT head M12 x 35	4	4	
007601791D1	33	SPRING Parking Lever	1	1	
000012914P04	34	WASHER Plain 10 Dia.	8	8	
000012848P04	35	PIN Joint 10 Dia	6	6	
000103373	36	PIN Cotter 3/32 x 3/4	6	6	

Brake Assembly and Mounting

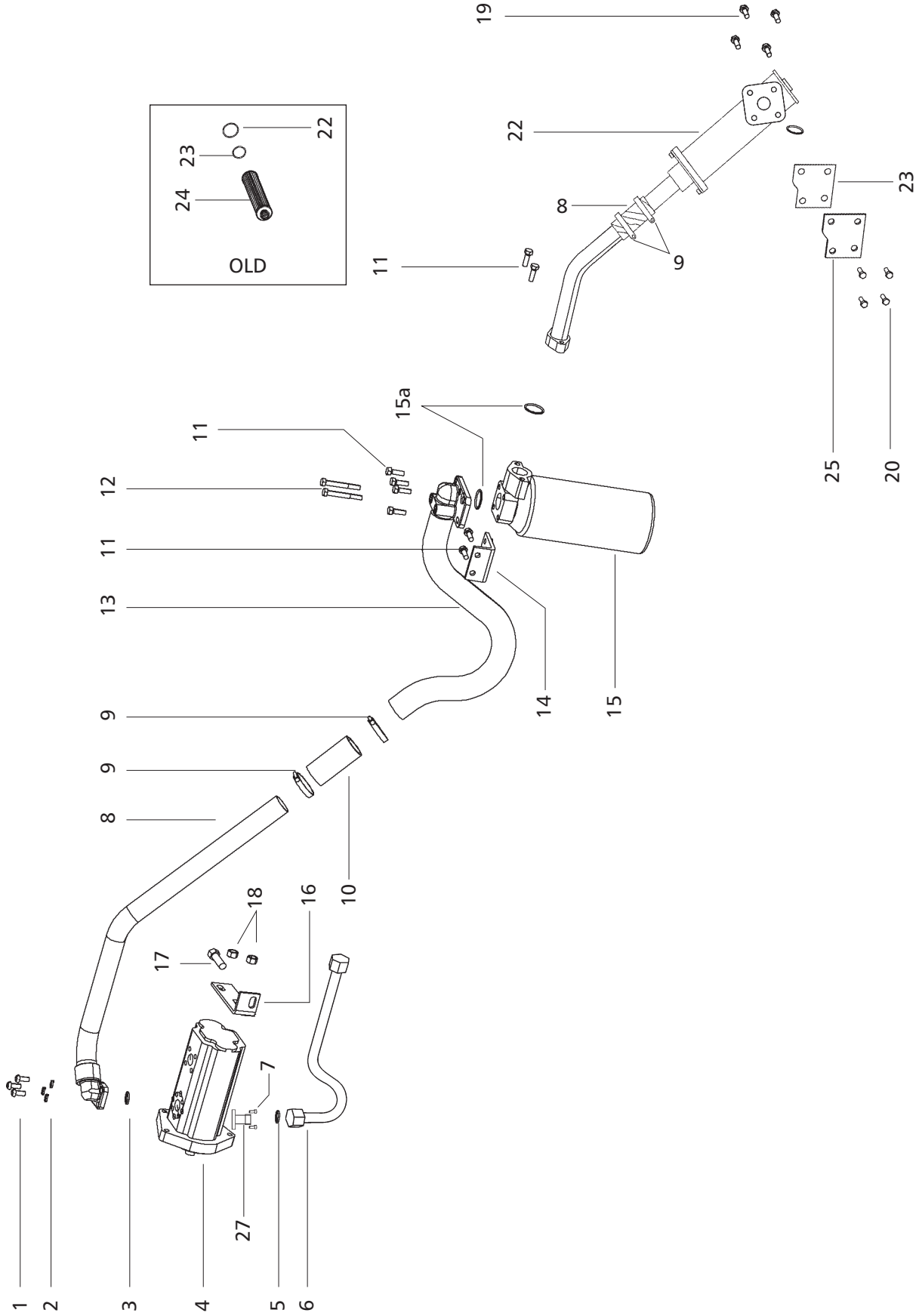


Brake Assembly and Mounting

M&M Part Number	Ref.	Description of Part	Unit Quantity		Remarks / Service Bulletin No.
			6565 4WD	6565 2WD	
000013898P04	1	BOLT Flanged Hex Head M12 x 40	8	8	
000016146P04	2	BRAKE PLATE L.H.	1	1	
00000000XX	25	BRAKE ASSY. (29032256) Consisting Of :	2	2	
006503344D91	3	▶ Disc Friction (29321148)	8	8	
006503353D1	4	▶ Disc Intermediate (29321190)	4	4	
006503346D1	9	▶ BRAKE ACTUATOR ASSY. (29321376) Consisting Of :	2	2	
006503347D1	7	▶ DISC (29321380)	4	4	
006503348D1	8	▶ SPRING (64326506)	6	6	
006503349D1	10	▶ BALL (64150456)	10	10	
006503350D1	11	▶ NUT Lock (29100005)	4	4	
006503351D1	12	▶ LINK (29321189)	4	4	
006503352D1	13	▶ PIVOT Pin (29320442)	4	4	
006504453D1	5	BOLT BRAKE (Abutment Pin)	2	2	
000016145P04	6	BRAKE PLATE RH	1	1	
000016137P04	14	WASHER Plain 15 DIA	4	4	
000013894P04	15	COTTER Pin 3.2 x 25 (Split Type)	4	4	
000016136P04	16	PIN For Brake	4	4	
000016135P04	17	TIE STRAP	4	4	
000016138P04	18	BRAKE Lever (Inside)	2	2	
006502748D1	19	OIL SEAL 38 x 24 x 6	2	2	
000016142P04	20	LOCK PLATE	2	2	
000020308E05	21	BOLT Flanged Hex. Head M8 x 16	2	2	
000016152P04	22	ASSLY Of Brake Lever and Brake Shaft L.H	1	1	
000016151P04	23	ASSLY Of Brake Lever and Brake Shaft R.H	1	1	

HYDRAULICS & THREE POINT LINKAGES

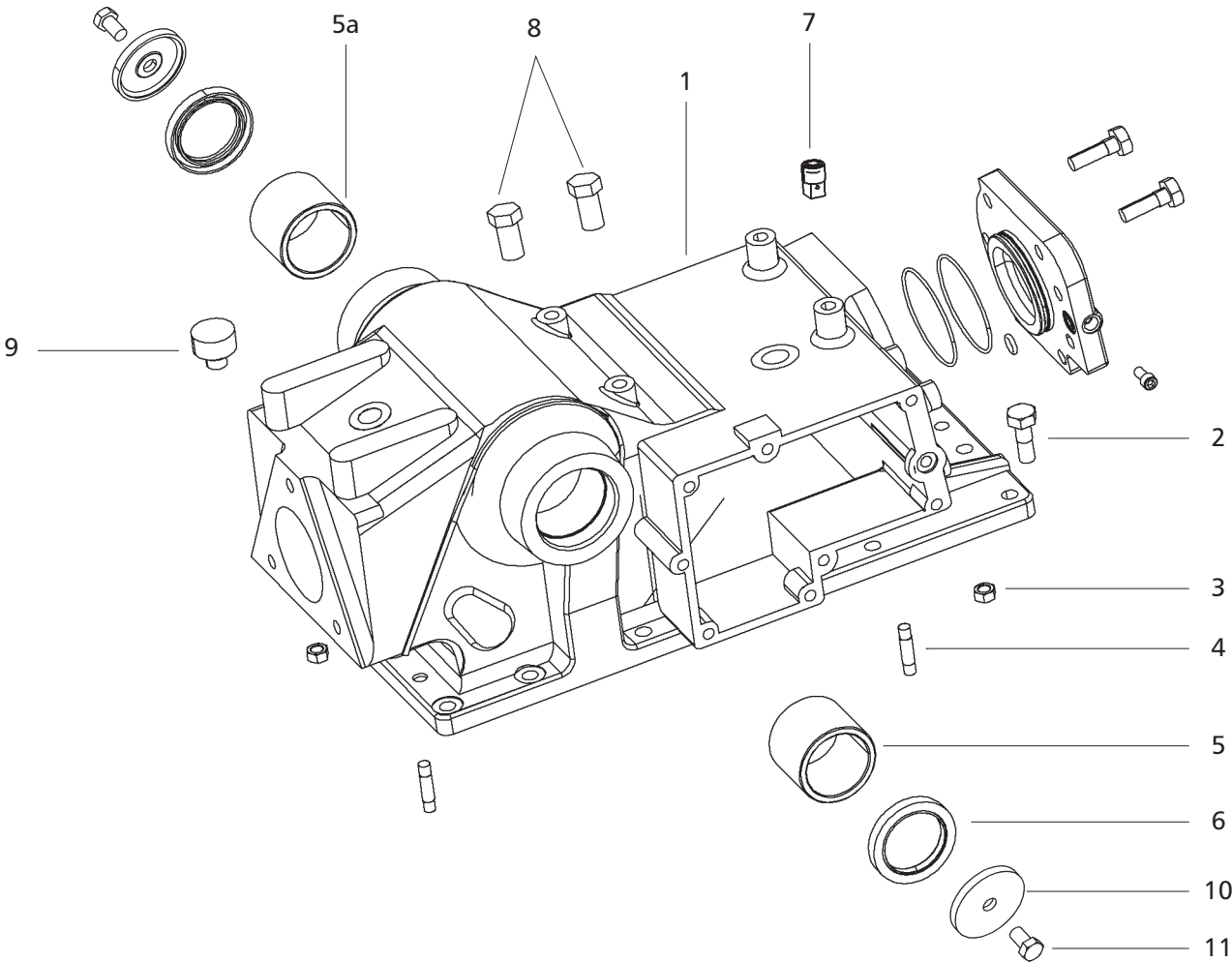
Pump and Suction Pipes



Pump and Suction Pipes

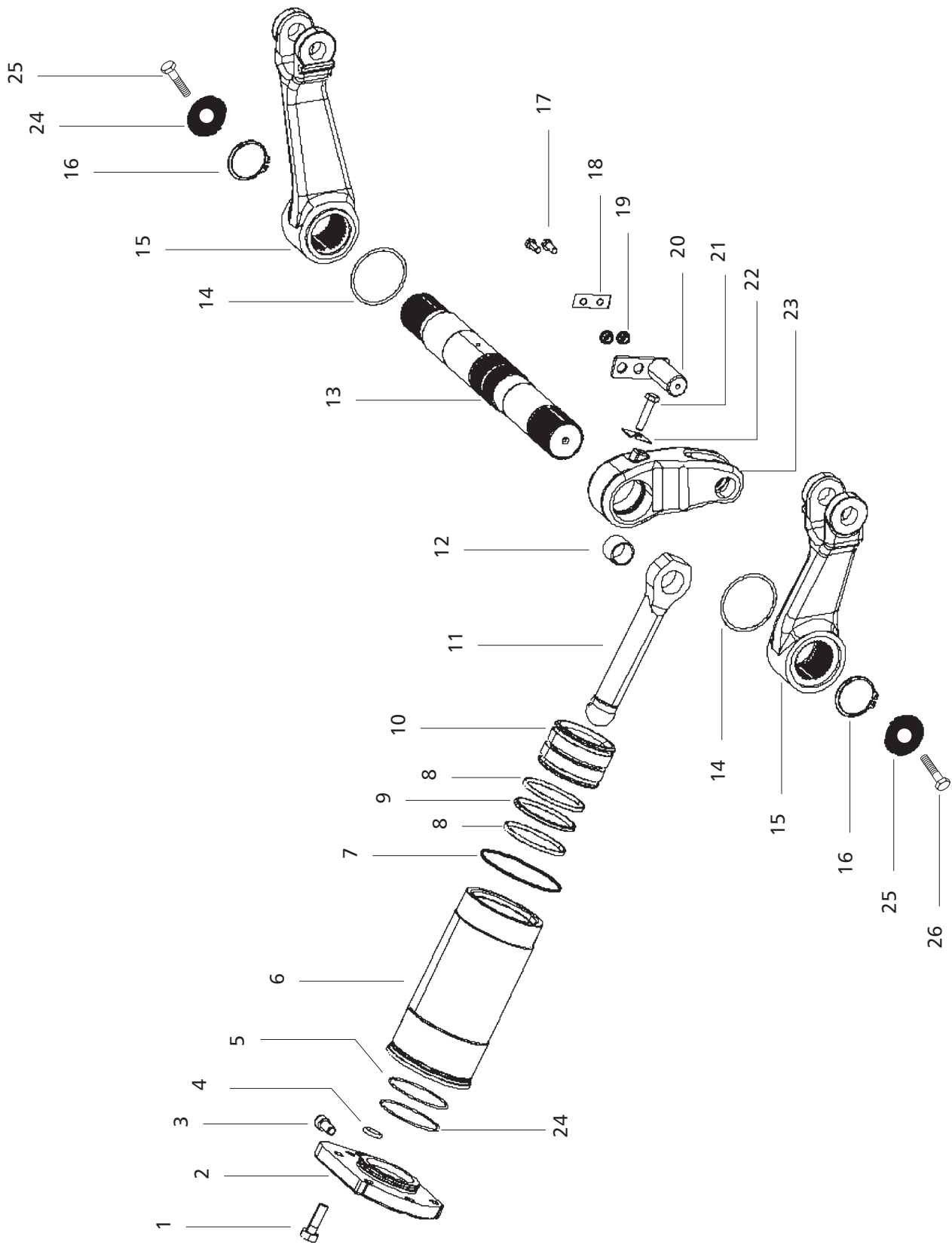
M&M Part Number	Ref.	Description of Part	Unit Quantity		Remarks / Service Bulletin No.
			6565 4WD	6565 2WD	
001082253R1	1	SCREW M8 x 20	3	3	
000934309R1	2	WASHER M8 Spring Lock	3	3	
000051187D01	3	O' RING Suction Manifold - Hyd. Pump	1	1	
E007202366D91	4	TANDEM Pump	1	1	
000377952R1	5	'O' RING Pressure Manifold	1	1	
E007202288D1	6	PRESSURE PIPE 1 for 6565 4WD with Reservoir	1	1	
001082252R1	7	SCREW Allen	2	2	
E000013757P04	8	PIPE Suction Dia 35	1	1	
000013499P04	9	CLIP Hose Dia 43	2	2	
007201869D1	10	HOSE	1	1	
000022271RD	11	BOLT M8 x 1.25 x 22	8	8	
000020258E05	12	BOLT Flanged Hex. Head M8 x 1.25 x 65	2	2	
007201870D11	13	SUCTION PIPE Assy.	1	1	
000013754P04	14	BRACKET Filter Mtg	1	1	
E000013231P04	15	FILTER Suction Line Consists of :	1	1	
000013427P04		▶ CANISTER	1	1	
007201394E1		▶ FILTER HEAD	1	1	
007202179D1	15a	▶ O-RING	2	2	
007202177D1	16	BRACKET Pump Support	1	1	
005552901R1	17	BOLT Hex. M10 x 20	1	1	
000751872R1	18	NUT 3/8"UNF	2	2	
005552901R1	19	BOLT M10 x 1.5 x 20 mm - 69 04 10 02	8	8	
000013713P04	20	O'RING 47.29 x 2.62	1	1	
E007202741D91	21	STRAINER Box with Strainer	1	1	
000013765P04	22	▶ 'O' RING 40.87 x 3.53	1	1	
E007202605D1	23	▶ 'O' RING 59.6 x 3.43	1	1	
000013701P04	24	▶ STRAINER Hydraulic Suction	1	1	
000013703P04	25	GASKET for Strainer Removal Flange	1	1	
000013702P04	26	FLANGE Suction Strainer Removal	1	1	
E007202198D1	27	ADAPTOR for Pressure Pipe 18 CC Pump	1	1	

Lift Housing



M&M Part Number	Ref.	Description of Part	Unit Quantity		Remarks / Service Bulletin No.
			6565 4WD	6565 2WD	
007201624D1	1	LIFT HOUSING	1	1	
000013348P04	2	BOLT Hex head M12 x 40 x 25	10	10	
007535360D1	3	NUT Hex M12 x 1.75	2	2	
007201905D1	4	STUD B M12 x 40	2	2	
007200029D1	5	BUSH Rockshaft R/H	1	1	
007201891D1	5a	BUSH Rockshaft L/H	1	1	
001127798R91	6	OILSEAL Rockshaft	2	2	
000020786E05	7	PLUG M10 x 1.0 Hex Socket Pipe	1	1	
000013900P04	8	BOLT Hex Head M12 x 45	2	2	
000013362P04	9	BREATHER	1	1	
007202004D1	10	ROCKSHAFT Cap	2	2	
007202063D1	11	BOLT M12 x 1.75 x 20	2	2	

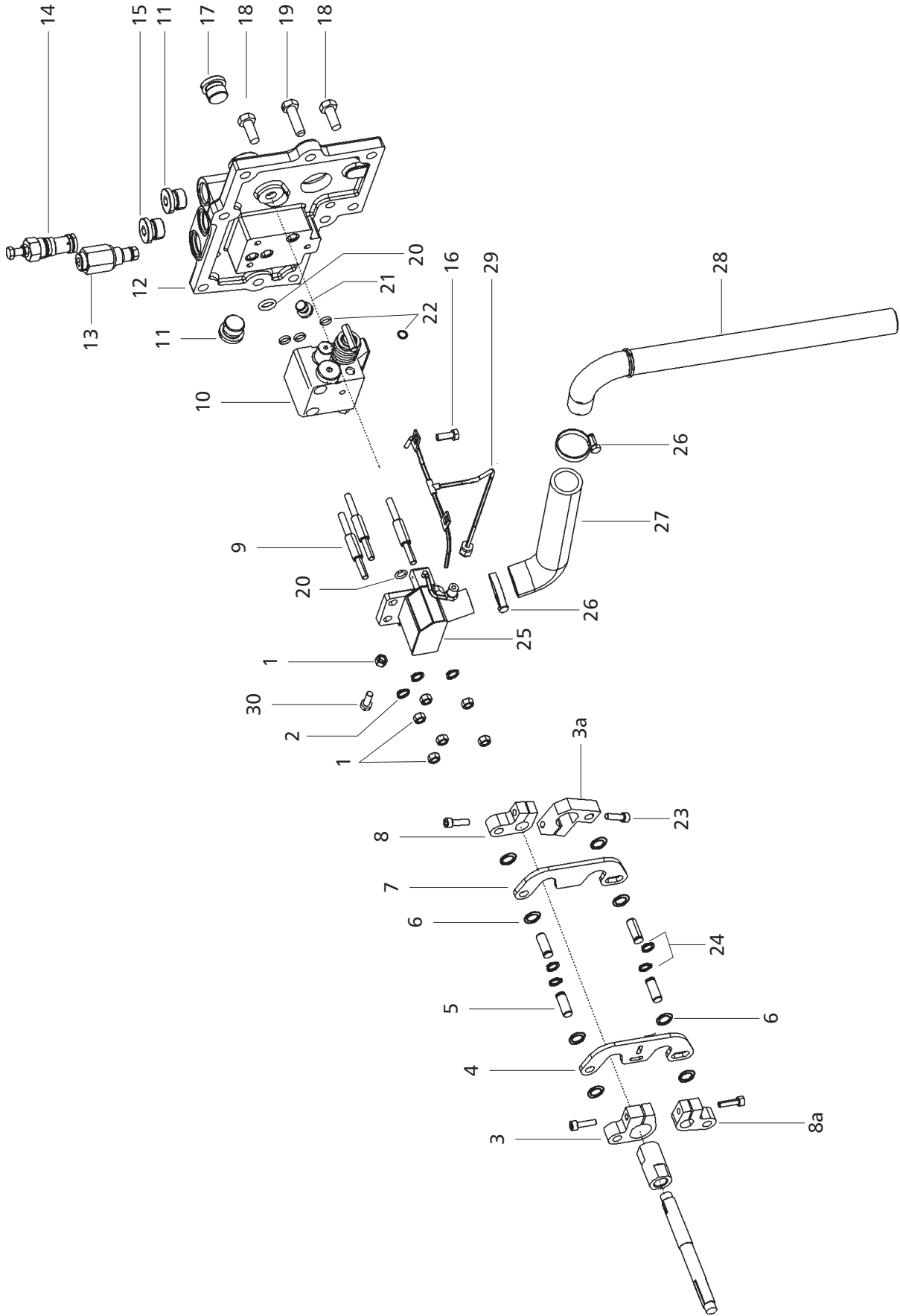
Piston, Cylinder, Ram, Rockshaft and Arms



Piston, Cylinder, Ram, Rockshaft and Arms

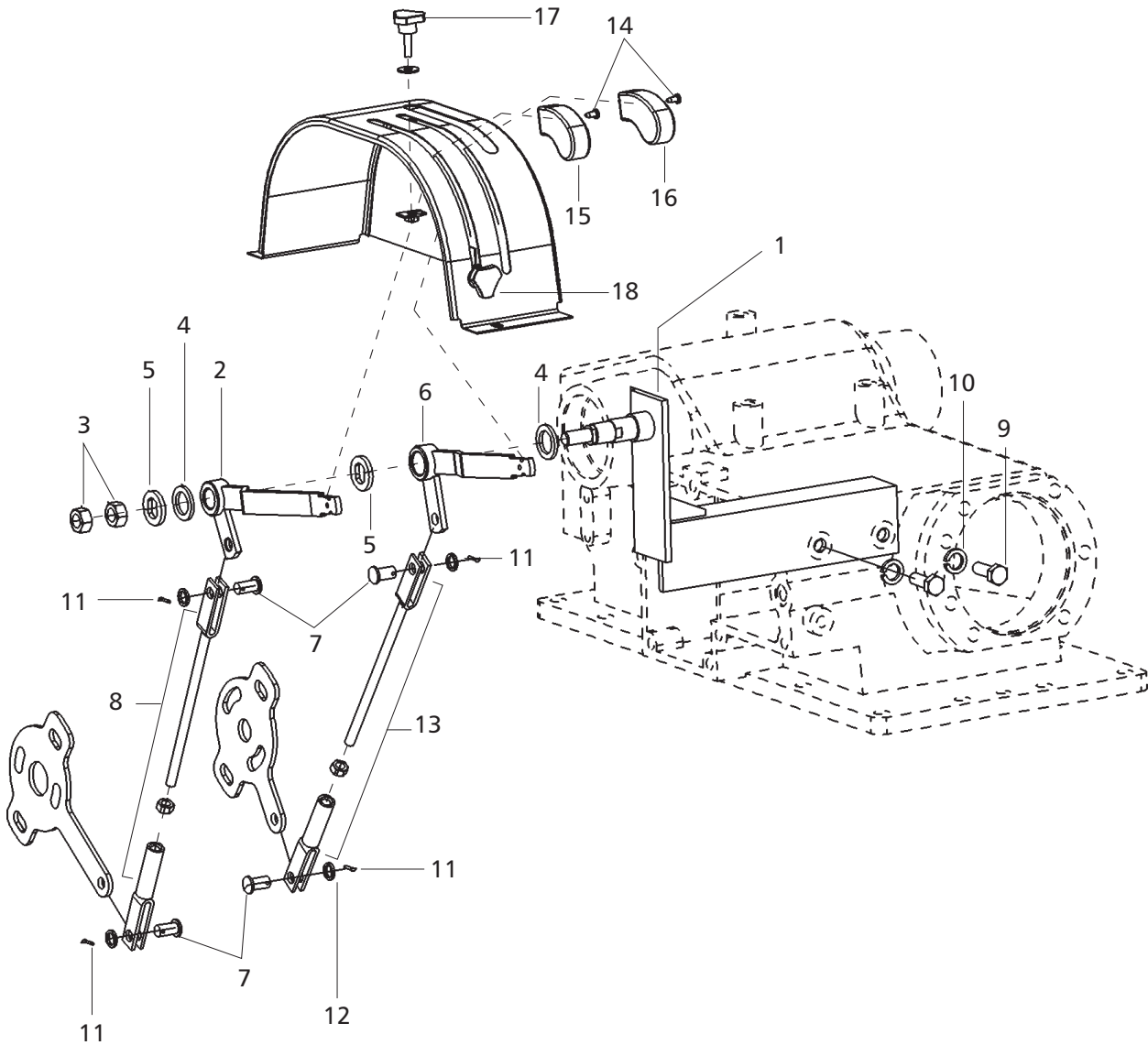
M&M Part Number	Ref.	Description of Part	Unit Quantity		Remarks / Service Bulletin No.
			6565 4WD	6565 2WD	
000013502P04		CYLINDER HEAD Assy.	1	1	
000013348P04	1	▶ BOLT Hex M12 x 40Long x 25THD	7	7	
000013679P04	2	▶ CYLINDER HEAD	1	1	
000000028	3	▶ PLUG 1/4" NPT	1	1	
000013465P04	4	▶ 'O' RING 13.95 x 2.62	1	1	
000013366P04	5	▶ 'O'RING 82.22 x 2.62(240 BAR)	1	1	
000013367P04	24	▶ BACKUP RING FOR 'O'RING 82.22 x 2.62	1	1	
000013210P04	6	CYLINDER SLEEVE	1	1	
000013368P04	7	'O'RING 113.97 x 2.62	1	1	
000013306P04	8	SLYDRING (GP6900900-Z61)	2	2	
000013305P04	9	GLYDRING (PT0300900-T46)	1	1	
000013212P04	10	PISTON	1	1	
000013503P04		CYLINDER ROD Assy	1	1	
000013214P04	11	▶ ROD CYLINDER	1	1	
000013633P04	12	▶ BUSH Cylinder Rod	1	1	
007201911D1	13	ROCKSHAFT	1	1	
001121176R1	14	SPACER Lift Arm	2	2	
000013662P04	15	LIFT ARM	2	2	
000013331P04	16	CIRCLIP External	2	2	
001081607R1	17	BOLT M8 x 1.5 x 20	2	2	
007201931D1	18	LOCKPLATE Countershaft	1	1	
000013755P04	19	SPACER	2	2	
000013341P04	20	BEARING PIN Assy	1	1	
000013624P04	21	BOLT Locking Rocker Arm to Rockshaft	1	1	
000013626P04	22	LOCK PLATE Rocker-Arm	1	1	
007201908D1	23	ARM ROCKER	1	1	
007202004D1	25	ROCKSHAFT CAP	2	2	
007202063D1	26	BOLT M12 x 1.75 x 20	2	2	

Manifold and RCV



M&M Part Number	Ref.	Description of Part	Unit Quantity		Remarks / Service Bulletin No.
			6565 4WD	6565 2WD	
005553017R1	1	NUT M8 x 1.25	7	7	
000060686M01	2	WASHER Plain M-8	3	3	
000013718P04	3	ROCKER 25 mm	1	1	
000013718P04	3a	ROCKER 25 mm	1	1	
000013323P04	4	BLADE Position Control	1	1	
000013251P04	5	PIN Dia 10	4	4	
000013254P04	6	WASHER Plain Dia 20	8	8	
000013653P04	7	BLADE Draft Control	1	1	
000013717P04	8	ROCKER 15 mm	1	1	
000013717P04	8a	ROCKER 15 mm	1	1	
007201848D1	9	STUD	3	3	
000013201P04	10	VALVE ROCKSHAFT	1	1	
000013360P04	11	PLUG Hollow Hex M22 x 1.5	2	2	
000013680P04	12	MANIFOLD	1	1	
000013206P04	13	RELIEF VALVE (Shock Load)	1	1	
000013205P04	14	RELIEF VALVE (System)	1	1	
000013382P04	15	PLUG Hollow Hex 7/8"-14 UNF	1	1	
000022271RD	16	BOLT M8 x 1.25 x 22	3	3	
000013697P04	17	PLUG Hollow hex M 22 with Flat Seal	1	1	
000020313E05	18	BOLT Flanged Hex. Head M10 x 1.5 x 25	2	2	
000020314E05	19	BOLT Flanged Hex. Head M10 x 1.5 x 35	8	8	
000013465P04	20	'O' RING 13.95 x 2.62	2	2	
007201663D1	21	PLUG Hex M12 x 1.5 with O' Ring 9.4 x 2.1	1	1	
000013371P04	22	'O' RING 11.1 x 1.78 (240 BAR)	4	4	
000051211D01	23	BOLT Allen - M6 x 25 mm Long	4	4	
000013252P04	24	CIRCLIP 10 mm	4	4	
007201845D11	25	MANIFOLD RETURNLINE RCV	1	1	
000013499P04	26	WORM CUP	2	2	
007201850D1	27	HOSE RCV	1	1	
007201849D1	28	PIPE Return Line RCV	1	1	
007201906D11	29	LUB Pipe	1	1	

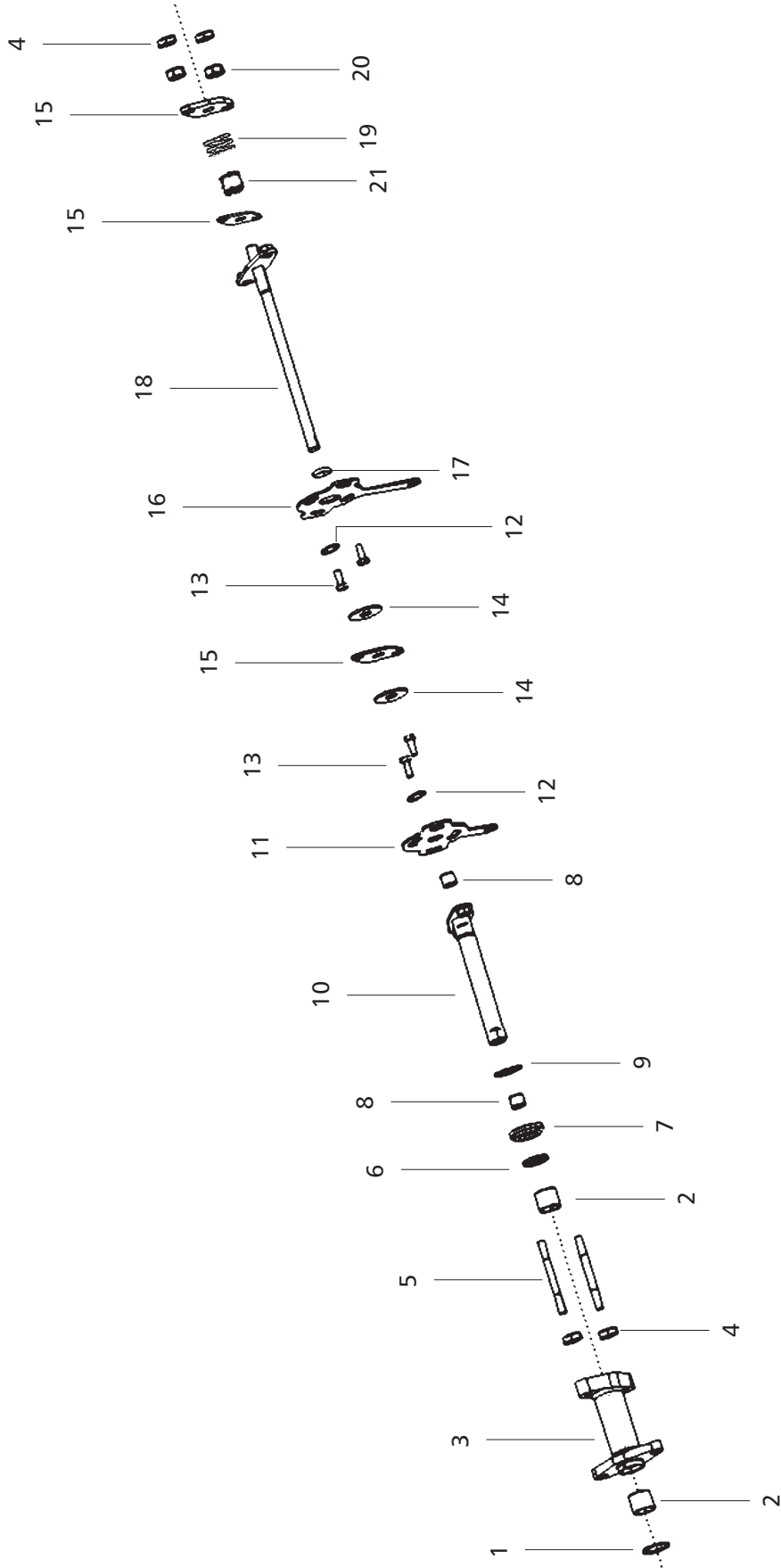
Quadrant Assembly



Quadrant Assembly

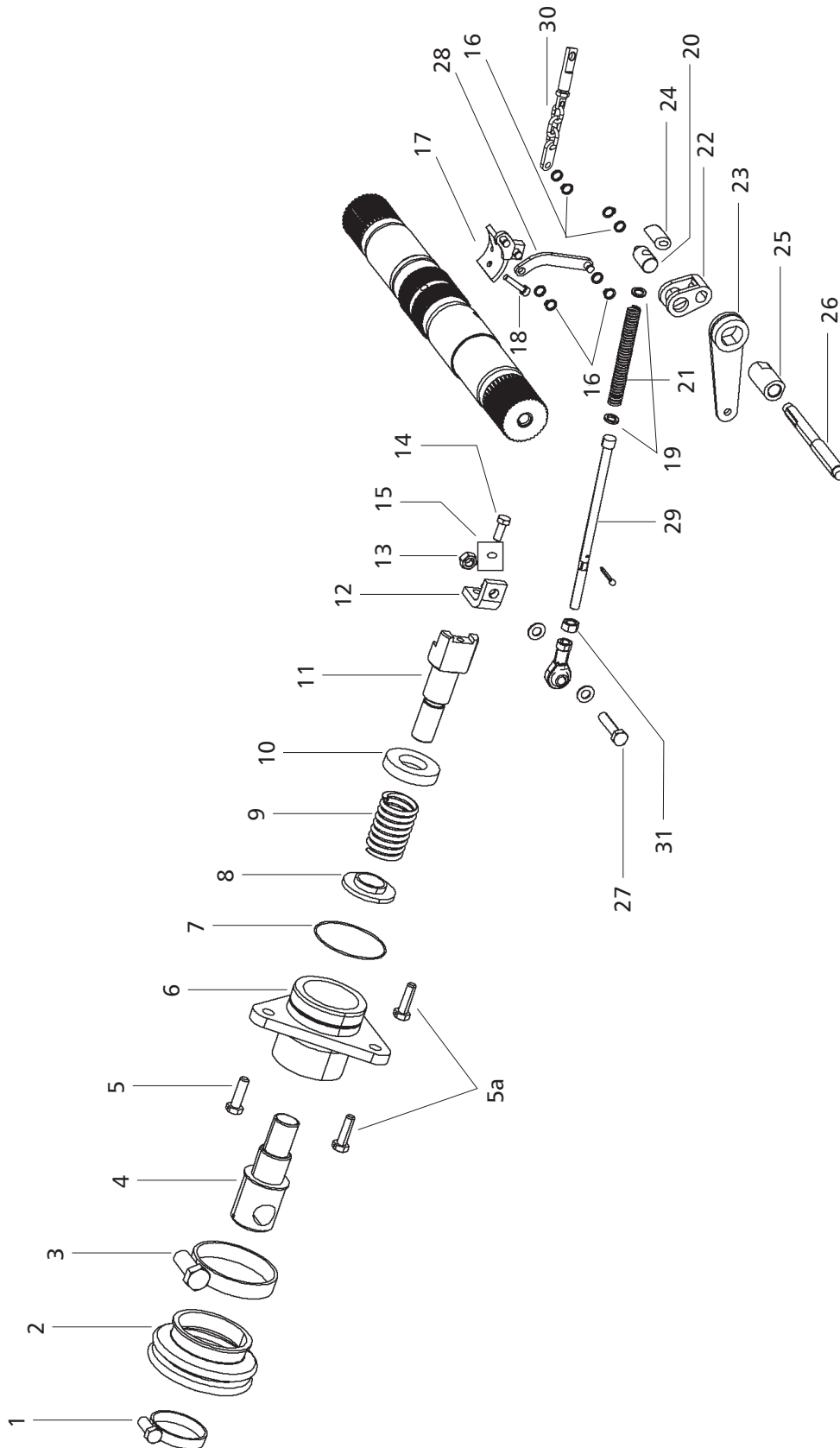
M&M Part Number	Ref.	Description of Part	Unit Quantity		Remarks / Service Bulletin No.
			6565 4WD	6565 2WD	
007600370D1	1	BRACKET PC DC QL Mounting	1	1	
007600165D11	2	PC LEVER	1	1	
000016198P04	3	NUT LOCK	2	2	
000012726P04	4	WASHER FRICTION 20.25 x 30 x 3	2	2	
007601239D1	5	WASHER DC Lever	2	2	
007600167D11	6	DC LEVER	1	1	
000012915P04	7	PIN Joint DIA 10 x 21	4	4	
007600169D91	8	YOKE ROD	1	1	
000030020R1	9	BOLT M10 x 1.5 x 25 L	2	2	
000012914P04	10	WASHER Plain 10 Dia.	4	4	
000103373	11	PIN Cotter 3/32 x 3/4	4	3	
005555988R1	12	WASHER M10 Spring Lock	2	2	
007600341D91	13	YOKE ROD DC	1	1	
000012904P04	14	SCREW A M4 x 10-6.6 Pan Hd. Cross Recessed	2	2	
007600256D1	15	KNOB PC LEVER	1	1	
007600257D1	16	KNOB DC LEVER	1	1	
000012855P04	17	STOPPER for PC DC	1	1	
000012855P04	18	STOPPER for PC DC	1	1	

Quadrant Mechanism



M&M Part Number	Ref.	Description of Part	Unit Quantity		Remarks / Service Bulletin No.
			6565 4WD	6565 2WD	
000013270P04	1	O RING 32.99 x 2.62	1	1	
000013249P04	2	BUSH Control Lever Hsg	2	2	
000013676P04	3	HOUSING Control Lever	1	1	
000013351P04	4	NUT Slim 10 mm	4	4	
000013685P04	5	STUD M10	2	2	
000013242P04	6	WASHER Flat	1	1	
000013666P04	7	WASHER Draft Lever	1	1	
000013257P04	8	BUSHING Draft Lever	2	2	
000013375P04	9	'O' RING 20 x 2.5	1	1	
000013668P04	10	TUBE Draft Lever	1	1	
000013675P04	11	BRACKET Draft Lever	1	1	
000061278M01	12	WASHER Plain 8.5 x 20 x 3 thk (special)	4	4	
000060387M01	13	SCREW Hex M8 x 16	4	4	
000013677P04	14	FRICTION GASKET	2	2	
000013245P04	15	BRACKET Handle Support	7	7	
000013674P04	16	BRACKET Position Lever	1	1	
000013371P04	17	'O'RING 11.1 x 1.78 (240 BAR)	1	1	
000013671P04	18	POSITION LEVER	1	1	
007200949E1	19	SPRING BELLEVILLE	4	4	
000022055RD	20	NUT M10 x 1.5	2	2	
007202308D1	21	GUIDE Quadrant Spring	1	1	

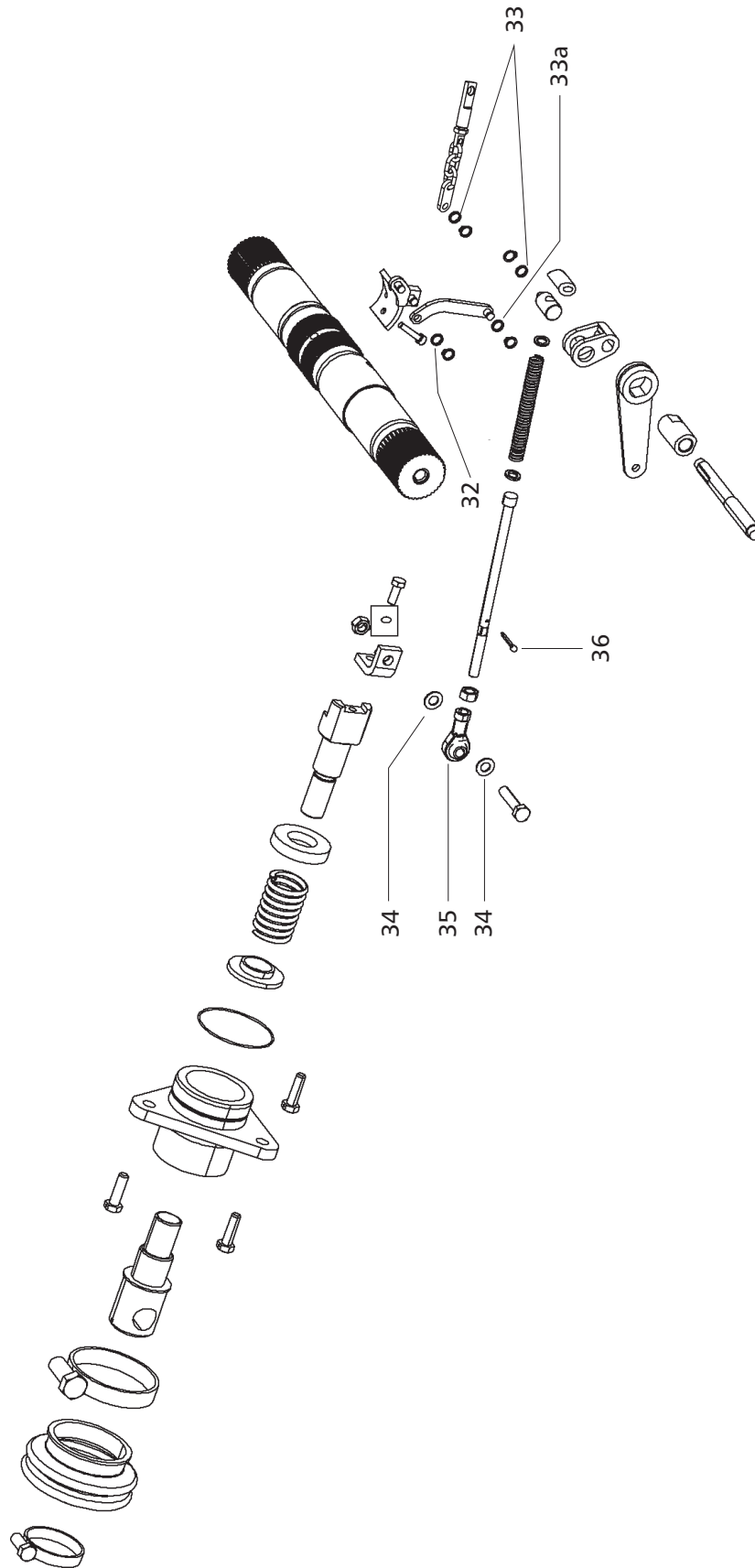
Draft Sensing Mechanism and Inner Linkages



Draft Sensing Mechanism and Inner Linkages

M&M Part Number	Ref.	Description of Part	Unit Quantity		Remarks / Service Bulletin No.
			6565 4WD	6565 2WD	
007201583D1	1	CLIP WORM 60	1	1	
007201600D1	2	BELLOW RUBBER	1	1	
007201581D1	3	CLIP WORM 90	1	1	
000013681P04	4	LINK BOLT	1	1	
007201619D1	5	BOLT	1	1	
000012524P04	5a	BOLT M12 x 35	2	2	
000013469P04	6	HOUSING SPRING	1	1	
000013422P04	7	'O' RING 79 x 1.78 (DSGN-2)	1	1	
000013447P04	8	SPRING HOLDER Outer	1	1	
000013451P04	9	SPRING Draft Control	1	1	
000013448P04	10	SPRING HOLDER Inner	1	1	
000013690P04	11	INNER LINK BOLT	1	1	
007201794D1	12	CONTROL ARM	1	1	
000013351P04	13	NUT Slim 10 mm	1	1	
000060387M01	14	SCREW Hex M8 x 16	1	1	
007201902D1	15	LOCKPLATE Control Arm	1	1	
000013483P04	16	CIRCLIP External 5 mm	3	3	
000013483P04	16	CIRCLIP External 5 mm	1	1	
007201795D1	17	BRACKET Rockshaft	1	1	
000013345P04	18	BOLT Allen M6 x 16	2	2	
000013261P04	19	WASHER Draft Feedback Rod	2	2	
007201790D1	20	BEARING Draft Feedback	1	1	
000013262P04	21	SPRING Draft Feedback	1	1	
007201792D1	22	LINK Draft Feedback	1	1	
007201828D11	23	ARM Position Feedback Cpte	1	1	
007201783D1	24	SPACER	1	1	
007201796D1	25	SHAFT Position Feedback	1	1	
007201791D1	26	SHAFT Draft Feedback	1	1	
000020314E05	27	BOLT Flanged Hex. Head M10 x 1.5 x 35	1	1	
007201831D11	28	LINK Position Feedback Cpte	1	1	
000013264P04	29	ROD Draft Feedback	1	1	
007202309D91	30	CHAIN Draft Disengagement	1	1	
000022055RD	31	NUT M10 x 1.5	1	1	

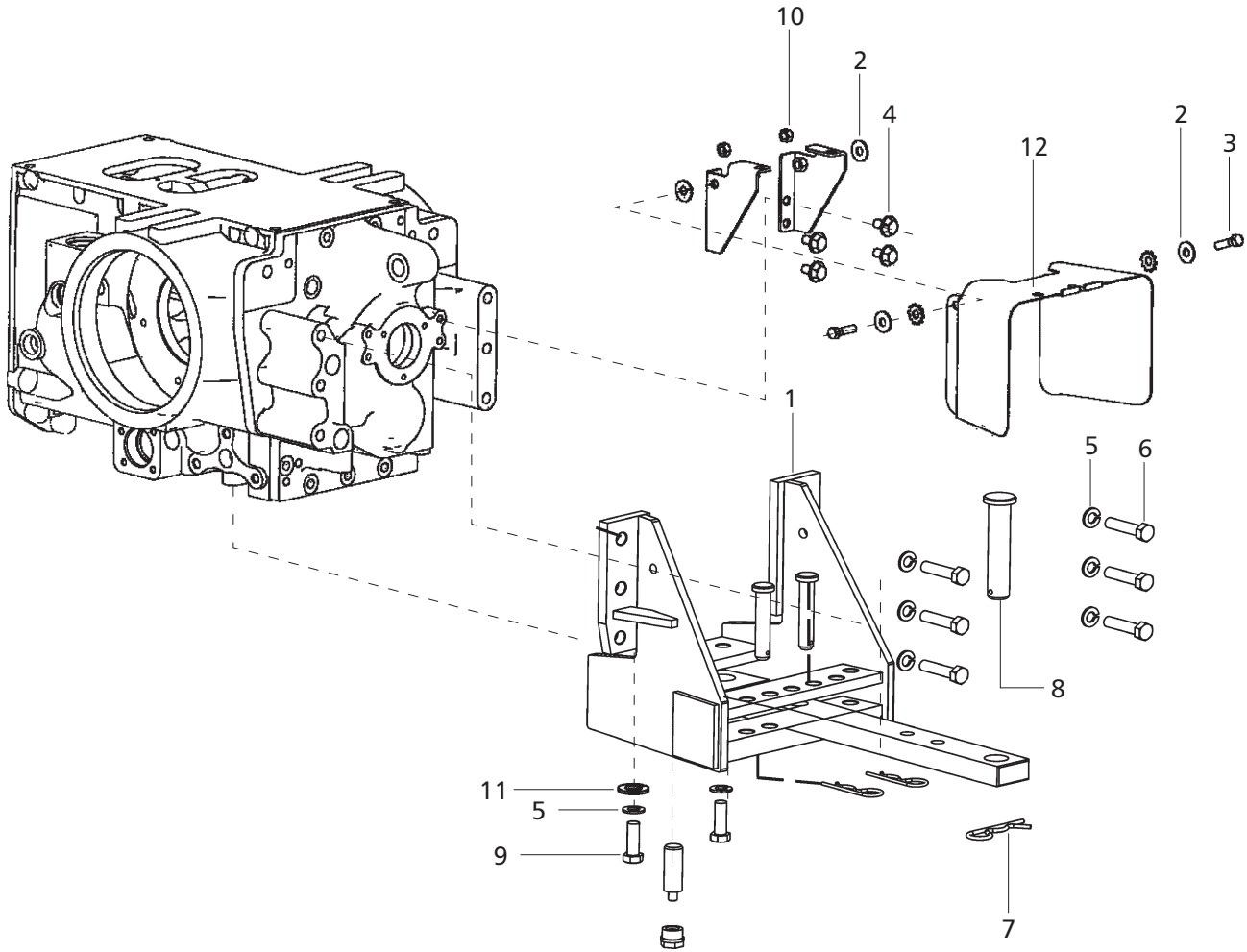
Draft Sensing Mechanism and Inner Linkages



Draft Sensing Mechanism and Inner Linkages

M&M Part Number	Ref.	Description of Part	Unit Quantity		Remarks / Service Bulletin No.
			6565 4WD	6565 2WD	
007201877D1	32	WASHER 8.5 x 13 x 2	1	1	
000060686M01	33	WASHER Plain M-8	2	2	
000060686M01	33a	WASHER Plain M-8	1	1	
000013254P04	34	WASHER Plain Dia 20	2	2	
000013271P04	35	SPHERICAL JOINT Rod End	1	1	
000012462P04	36	COTTER 3.2 x 18	1	1	

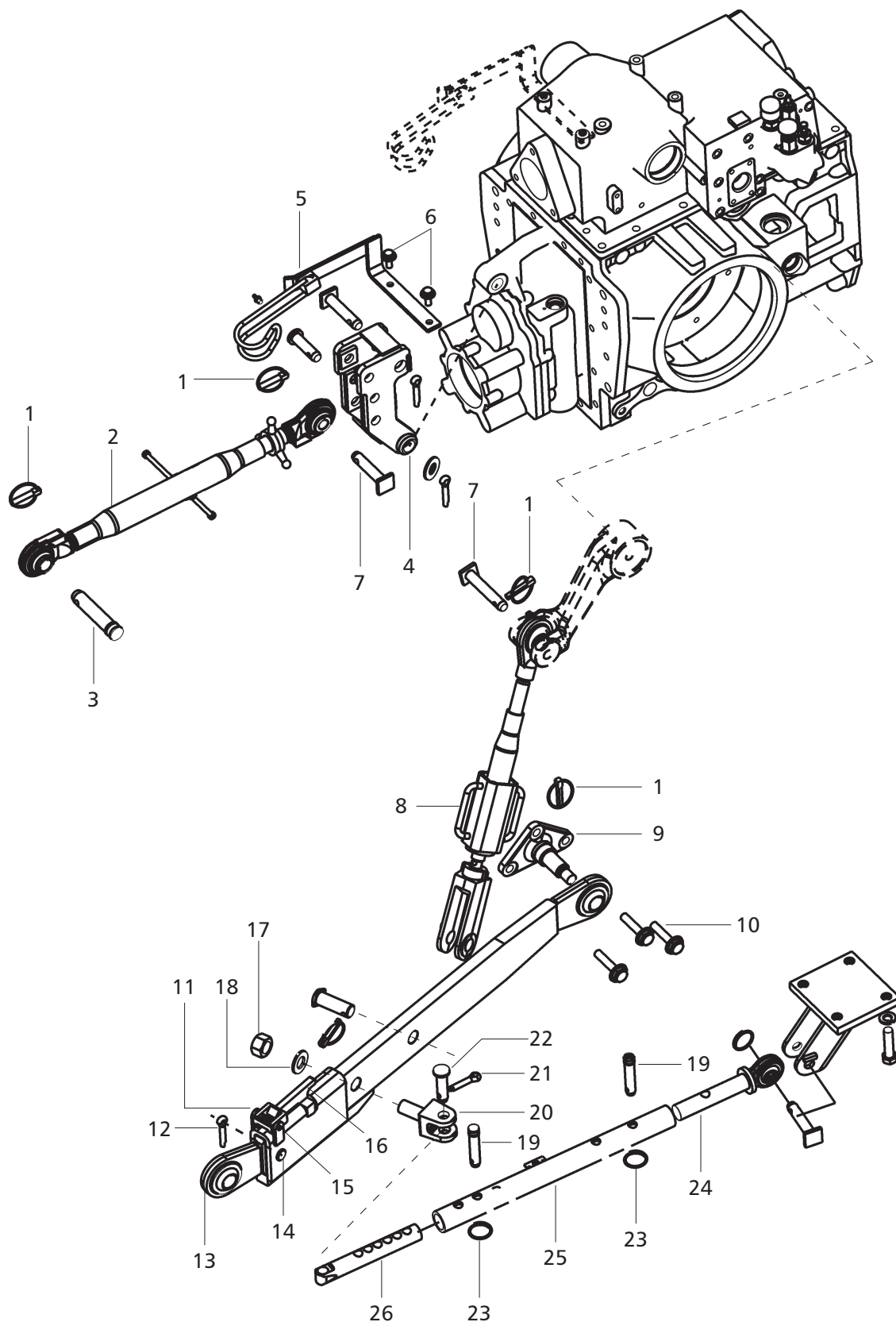
Swinging Drawbar and PTO Shield



Swinging Drawbar and PTO Shield

M&M Part Number	Ref.	Description of Part	Unit Quantity		Remarks / Service Bulletin No.
			6565 4WD	6565 2WD	
007603110D1	1	BRACKET CPTe Rear Tow-Hook	1	1	
000120396	2	WASHER Plain 0.531 x 1.060 x 0.074	4	4	
000012506P04	3	BOLT M12 x 1.75 x 30	2	2	
005552901R1	4	BOLT M10 x 1.5 x 20	4	4	
005556521R1	5	WASHER Spring Lock M16	8	8	
0076000479C1	6	BOLT Hex. Head M16 x 2-230LG	6	6	
007900013D1	7	SPRING COTTER 6.3 DIN 11024 - ZINC PLATED	1	1	
007900027D1	8	PIN Swinging Drawbar	1	1	
007900012D1	9	BOLT Hex. M16 x 2 x 50	2	2	
005550753R1	10	NUT Hex. M12 x 1.75	2	2	
001099817R1	11	WASHER Plain	2	2	
007602747D1	12	PTO Cover	1	1	
007200491C1	*	BOLT Tow-Hook Mounting	6	6	
007000068C11	*	TOW-HOOK Rear Cpte.	1	1	
007000087C11	*	PIN Cpte. Trailer Coupling	1	1	
003074763R1	*	RING Retaning External	1	1	
005555990R1	*	WSHER Spring	6	6	
005556439R1	*	NUT Tow-Hook Mounting	6	6	

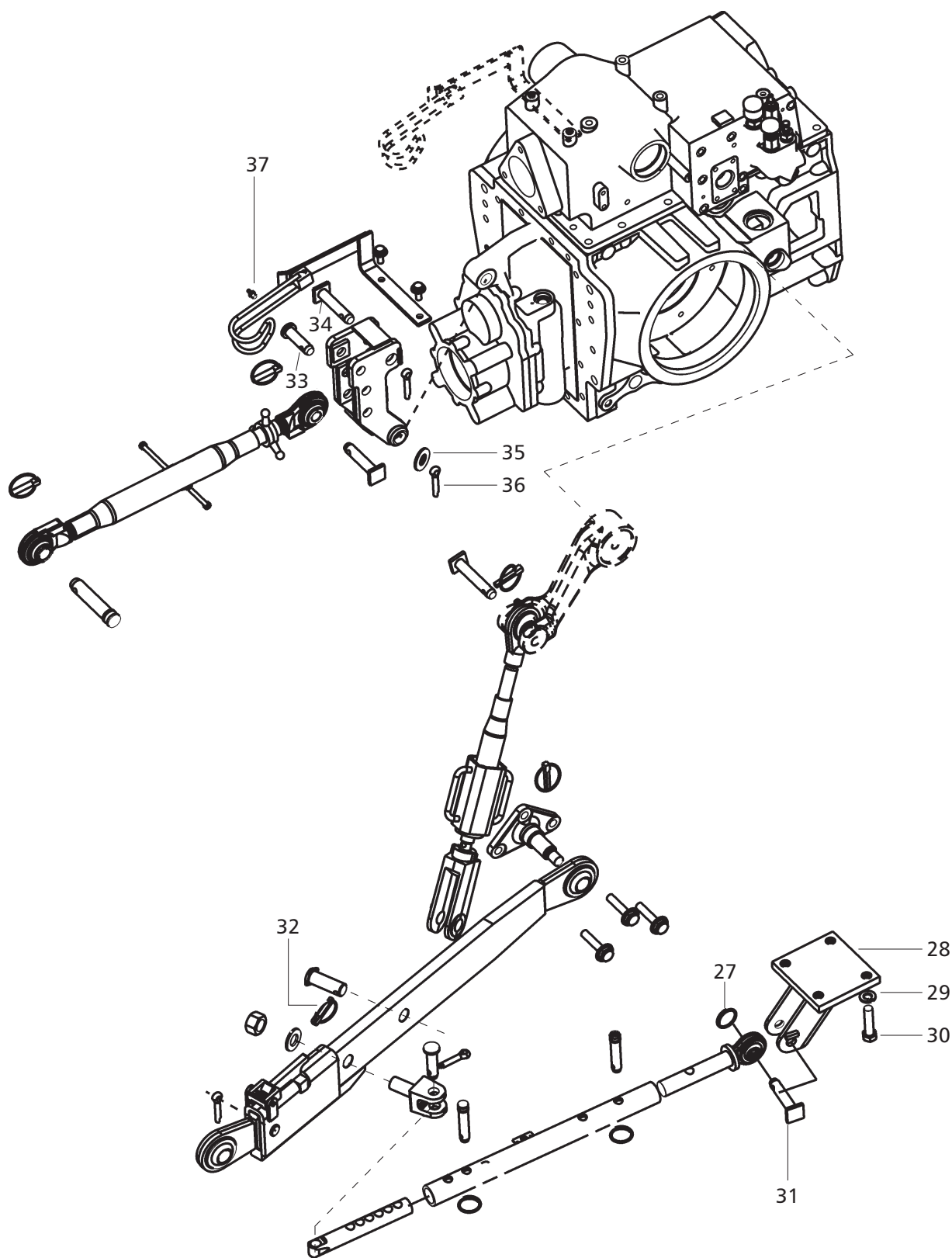
Three Point Linkages



Three Point Linkages

M&M Part Number	Ref.	Description of Part	Unit Quantity		Remarks / Service Bulletin No.
			6565 4WD	6565 2WD	
007200598C91	1	LYNCH PIN Assy	6	6	
E007200390D91	2	TOP LINK ASSY	1	1	
007200400D1	3	PIN Top Link Implement End	1	1	
007601857D91	4	ASSY PIVOT BRACKET	1	1	
007202110D91	5	TOP LINK HOOK	1	1	
000020313E05	6	BOLT Flanged Hex. Head M10 x 1.5 x 25	2	2	
007200398D1	7	PIN Lift Rod to Lift Arm	3	3	
E007201396D91	8	LIFT ROD ASSY	2	2	
E007200396D11	9	PIN LOWER LINK Fabricated	2	2	
000020305E05	10	BOLT Flanged M14 x 47.5 x 1.5-10.9	6	6	
E007201399D91		LOWER LINK TELESCOPIC ASSY. RH consists of:	1	1	
007201984D1	11	▶ TORSION SPRING LOCK LEVER	1	1	
007201974D1	12	▶ SPLIT PIN 4 x 25 - IS:549	1	1	
007202301D1	13	▶ SLIP END RH	1	1	
007201985D1	14	▶ PIVOT PIN Dia 16 X 51	1	1	
007201975D1	15	▶ SPRING DOWEL SLEEVE Heavy 8x60 IS:5988-1970	1	1	
007201972D1	16	▶ LOCK LEVER	1	1	
E007201400D91		LOWER LINK TELESCOPIC ASSY. LH consists of:	1	1	
007201984D1	11	▶ TORSION SPRING LOCK LEVER	1	1	
007201974D1	12	▶ SPLIT PIN 4 x 25 - IS:549	1	1	
007202302D1	13	▶ SLIP END LH	1	1	
007201985D1	14	▶ PIVOT PIN Dia 16 X 51	1	1	
007201975D1	15	▶ SPRING DOWEL SLEEVE Heavy 8x60 IS:5988-1970	1	1	
007201972D1	16	▶ LOCK LEVER	1	1	
E007201398D91		STABILIZER STRUT Assy. consists of:	2	2	
007201969D1	17	▶ NUT Hex. Nylock M24	2	2	
007201983D1	18	▶ WASHER PLAIN	2	2	
007201963D1	19	▶ PIN STABILIZER STRUT	4	4	
007201965D1	20	▶ YOKE BOLT STABILIZER	2	2	
007201966D1	21	▶ SPLIT PIN STABILIZER	2	2	
000013320P04	22	▶ PIVOT PIN	2	2	
007201964D1	23	▶ CLIP SPRING	4	4	
007201962D1	24	▶ EYE BOLT STABILIZER	2	2	
007202303D1	25	▶ TUBE STABILIZER STRUT	2	2	
007201961D1	26	▶ ROD END, Stabilizer Strut	2	2	

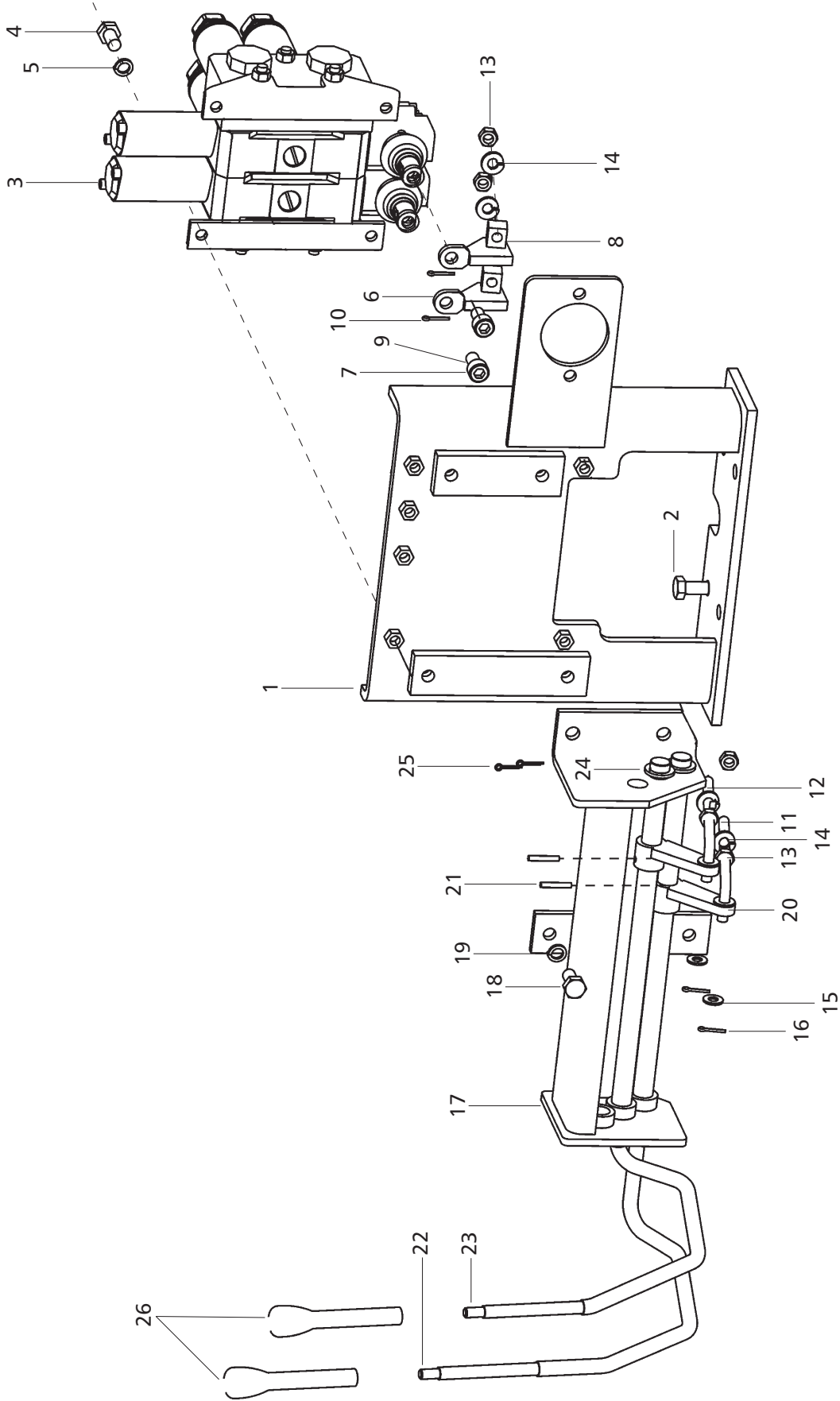
Three Point Linkages



Three Point Linkages

M&M Part Number	Ref.	Description of Part	Unit Quantity		Remarks / Service Bulletin No.
			6565 4WD	6565 2WD	
000050591D02	27	CLIP SPRING	2	2	
E007200486D1	28	STABILIZER BRACKET RH	1	1	
E007200487D1	28	STABILIZER BRACKET LH	1	1	
005556521R1	29	WASHER SPRING LOCK M16	8	8	
007900012D1	30	BOLT Hex. M16 x 2 x 50	8	8	
007200679D1	31	PIN STABILIZER BRACKET	2	2	
007202304D1	32	LYNCH PIN Assy.	2	2	
007201509D1	33	PIVOT PIN	1	1	
007201461D1	34	PIVOT PIN Link Bolt	1	1	
000012725P04	35	WASHER Plain 25.5 x 38 x 3	2	2	
000103398	36	PIN Cotter 5/32 x 1½	2	2	
000012871P04	37	GREASE Nipple M8 x 1	1	1	

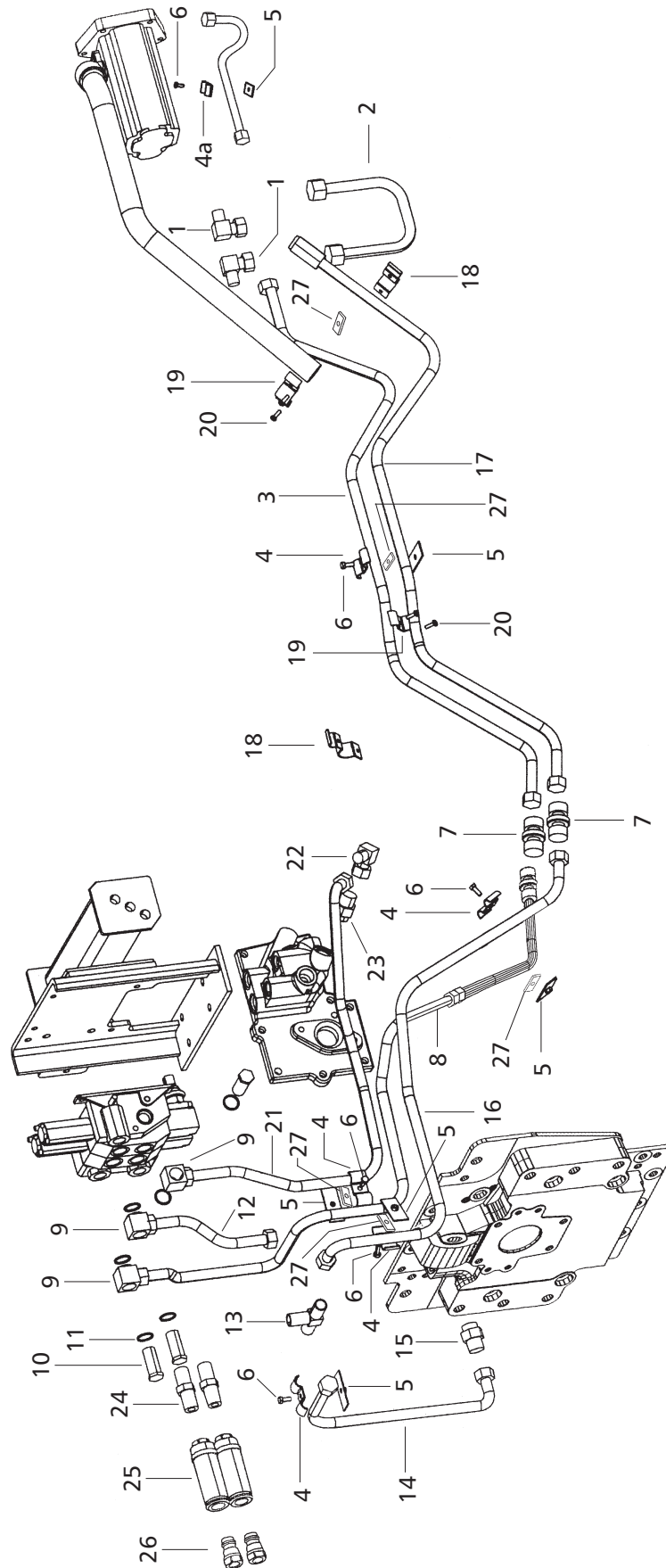
Auxiliary Valve and Levers



Auxiliary Valve and Levers

M&M Part Number	Ref.	Description of Part	Unit Quantity		Remarks / Service Bulletin No.
			6565 4WD	6565 2WD	
E007601688D11	1	MOUNTING BRACKET Auxiliary Valve	1	1	
007601864D1	2	BOLT M10 x 1.5 x 20L	2	2	
E007201988D1	3	HDS 15 2 Spool Stackable Valve with Float & Kickback	1	1	
000061276M01	4	SCREW Hex. M8 x 25	3	3	
000934309R1	5	WASHER M8 Spring lock	3	3	
007601692D1	6	BRACKET Auxiliary Lever End	2	2	
007601864D1	7	HEX. SOCKET Head Cap Screw M10 x 16	2	2	
007601746D1	8	PIN Square Head 10mm dia.	2	2	
000012914P04	9	WASHER Plain 10mm dia.	2	2	
000103373	10	PIN COTTER 3/32" x 3/4"	2	2	
007601744D1	11	PUSH ROD Cpte. 1st Spool	1	1	
007601754D1	12	PUSH ROD Cpte. 2nd Spool	1	1	
005553017R1	13	NUT M8 x 1.5	4	4	
000934309R1	14	WASHER M8 Spring lock	4	4	
000060686M01	15	WASHER Plain M8	2	2	
000103373	16	PIN COTTER 3/32" x 3/4"	2	2	
E007601687D1	17	SUPPORT BRACKET Auxiliary Valve	1	1	
005552901R1	18	BOLT M10 x 0.5 x 20L	4	4	
005555988R1	19	WASHER M10 Spring Lock	4	4	
007601745D1	20	CRANK LEVER Cross Shaft	2	2	
007601336D1	21	SPRING Dowel Sleeve Heavy 5 x 24mm	2	2	
007601689D1	22	LEVER Auxiliary Valve Outer	1	1	
007601690D1	23	LEVER Auxiliary Valve Middle	1	1	
007601755D1	24	WASHER Plain 16.2 x 24 x 2.5	2	2	
000103374	25	PIN COTTER 3/32" x 1"	2	2	
E007600542D1	26	KNOB Level Aux. Valve	2	2	

Pressure and Return Line Pipings

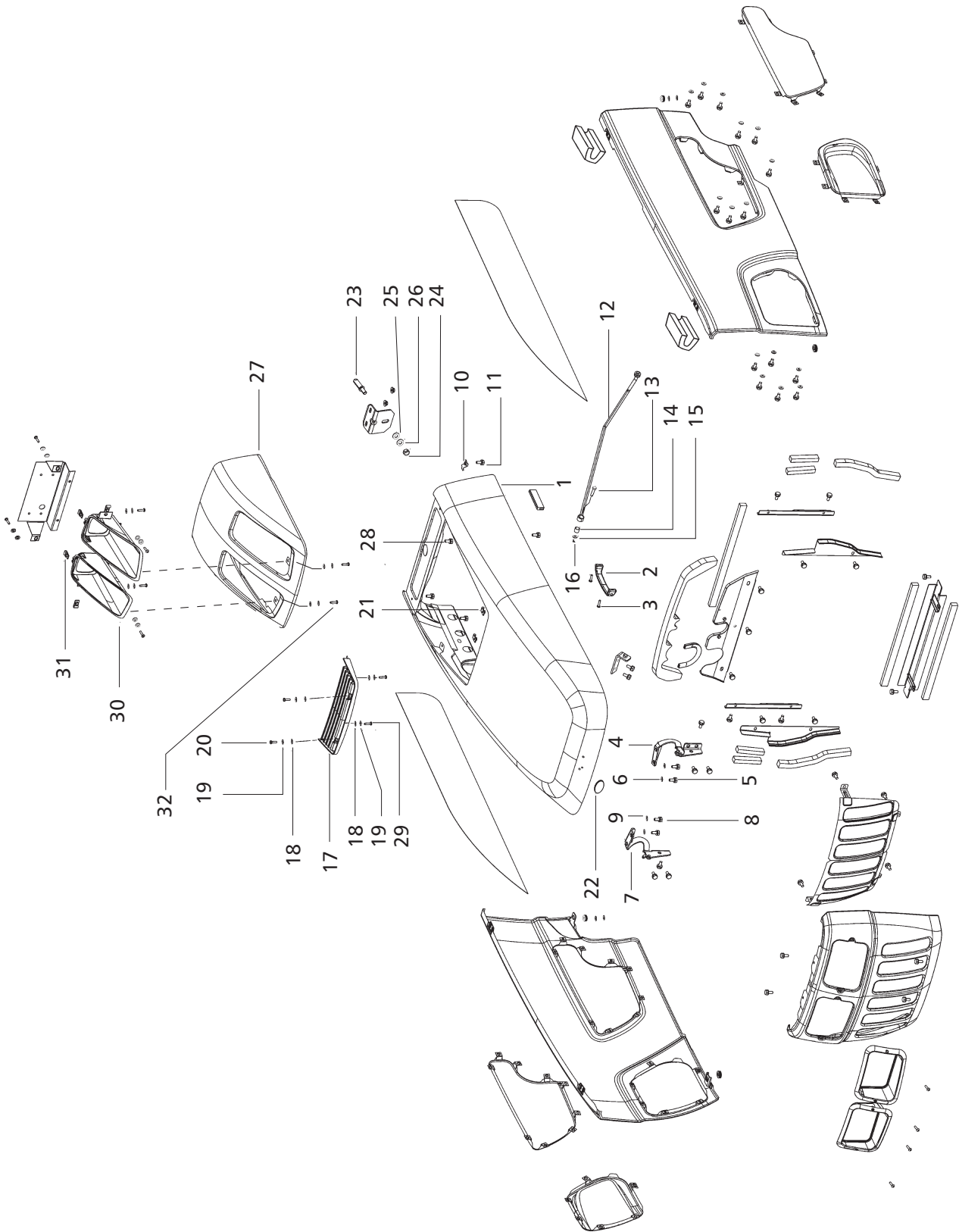


Pressure and Return Line Pipings

M&M Part Number	Ref.	Description of Part	Unit Quantity		Remarks / Service Bulletin No.
			6565 4WD	6565 2WD	
000013792P04	1	EQUAL ELBOW Connector 16 Tube, Near U	2	2	
007201533D1	2	PRESSURE PIPE 2 - 'U' Bend	1	1	
007202012D1	3	PRESSURE PIPE 3 , U Pipe To Straight Coupling	1	1	
007201585D1	4	PIPE CLAMP 1	5	5	
007201864D1	4a	PIPE CLAMP 2	1	1	
007201589D1	5	CLAMP PLATE 2	6	6	
000020311E05	6	BOLT M6 x 16	6	6	
000013744P04	7	STRAIGHT COUPLING Dia 16 OD Tube	2	2	
07202617D1	8	PRESSURE PIPE 4 , Straight Coupling to Aux Valve P Port	1	1	
007202581D1	8a	PRESSURE Hose	1	1	
007202014D1	9	BANJO BODY For 16 OD Tube	3	3	
007202015D1	10	BANJO BOLT M22 X 1.5 16 OD Tube	3	3	
007202016D1	11	WASHER COPPER for M22 X 1.5 Banjo Bolt	6	6	
007202013D1	12	RETURN PIPE 1 , Aux. T Port to Equal T	1	1	
007201986D1	13	EQUAL T for Return Line	1	1	
E007202289D1	14	6565 RETURN PIPE , Equal T to Trans Hsg.	1	1	
000013363P04	15	MALE STUD Coupling M22 X 1.5 X 16 OD with Elastomeric Seal	1	1	
007202007D1	16	DOZER RETURN PIPE 2 , Straight Coupling to Equal T	1	1	
007202039D11	17	DOZER RETURN PIPE 1 , upto Straight Coupling	1	1	
007202036D1	18	PIPE CLAMP for 35 & 16 OD Tube	2	2	
007202037D1	19	CLAMP PLATE for 35 & 16 OD Tube	2	2	
001121502R1	20	SCREW M5 X 20 Long	4	4	
007202010D1	21	HPCO PIPE , Aux. HPCO Port to Manifold	1	1	
007201865D1	22	SWIVEL ELBOW M24 X 1.5 16 OD Tube	1	1	
000013426P04	23	MALE STUD Coupling M22 X 1.5 With O Ring	1	1	
007202292D91	24	ADAPATOR - Special QDC	4	4	
E007201990D1	25	QDC FEMALE 3 CFPV Series With PVC Dust Cap	4	4	
007201991D1	26	QDC MALE 3 CFPV Series	4	4	
007201304C1	27	RUBBER Pad	5	5	

SHEET METAL & ELECTRICALS

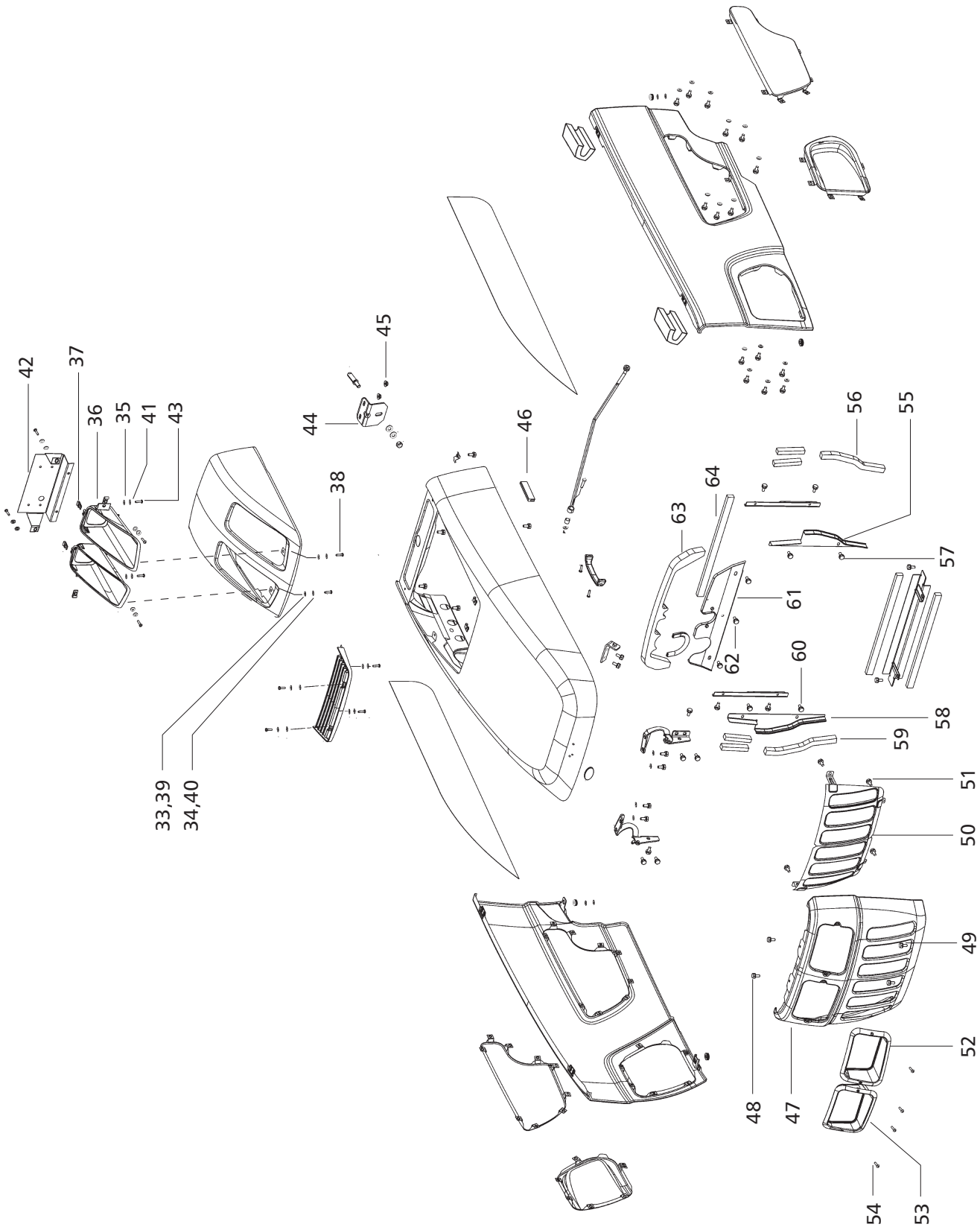
Hood and Front End Assembly



Hood and Front End Assembly

M&M Part Number	Ref.	Description of Part	Unit Quantity		Remarks / Service Bulletin No.
			6565 4WD	6565 2WD	
007500151D94	1	HOOD Assy	1	1	
007535014D1	2	HANDLE Hood	1	1	
007535525D1	3	SCREW Philip Pan Head M5 x 20	2	2	
007500209D91	4	HINGE for Hood LH	1	1	
000020307E05	5	BOLT Flanged Hex M8 x 20	5	5	
007535860D1	6	WASHER Plain 8.5 x 19 x 3	2	2	
007500210D91	7	HINGE for Hood RH	1	1	
000020307E05	8	BOLT Flanged Hex M8 x 20	5	5	
007535860D1	9	WASHER Plain 8.5 x 19 x 3	2	2	
007500549D91	10	CLIP for Stay Rod	1	1	
000020797E05	11	BOLT Flanged Hex M6 x 12	1	1	
007500221D92	12	STAY ROD	1	1	
007500331D2	13	PIN	1	1	
007500333D2	14	BUSH	1	1	
007535860D1	15	WASHER Plain 8.5 x 19 x 3	1	1	
000103361	16	PIN Cotter 1/16 x 1/2	1	1	
007500012D1	17	HOOD GRILL	1	1	
007535861D1	18	WASHER Plain 6.6 x 12.7 x 1	4	4	
007535862D1	19	WASHER Spring M6	4	4	
007535368D1	20	SCREW Philip Pan Head (M6X16)	2	2	
007500378D91	21	MTG CLIP	2	2	
005559054R1	22	LOGO MAHINDRA	1	1	
007500603D1	23	PIN Hood Latch	1	1	
007535360D1	24	NUT Hex M12 x 1.75	1	1	
000060687M01	25	WASHER Plain M-12	1	1	
000041641C08	26	WASHER Spring M12	1	1	
007505097D91	27	HOUSING Scuttle Lamp	1	1	
000020311E05	28	BOLT Flanged Hex M6 x 16	4	4	
007535368D1	29	SCREW Philip Pan Head (M6X16)	2	2	
007505033D1	30	SCUTTLE LAMP HOLDER RH	1	1	
007500378D91	31	MTG CLIP	2	2	
007535366D1	32	SCREW Philip Pan Head (M6 x 10)	1	1	
007535861D1	33	WASHER Plain 6.6 x 12.7 x 1	1	1	
007535862D1	34	WASHER Spring M6	1	1	

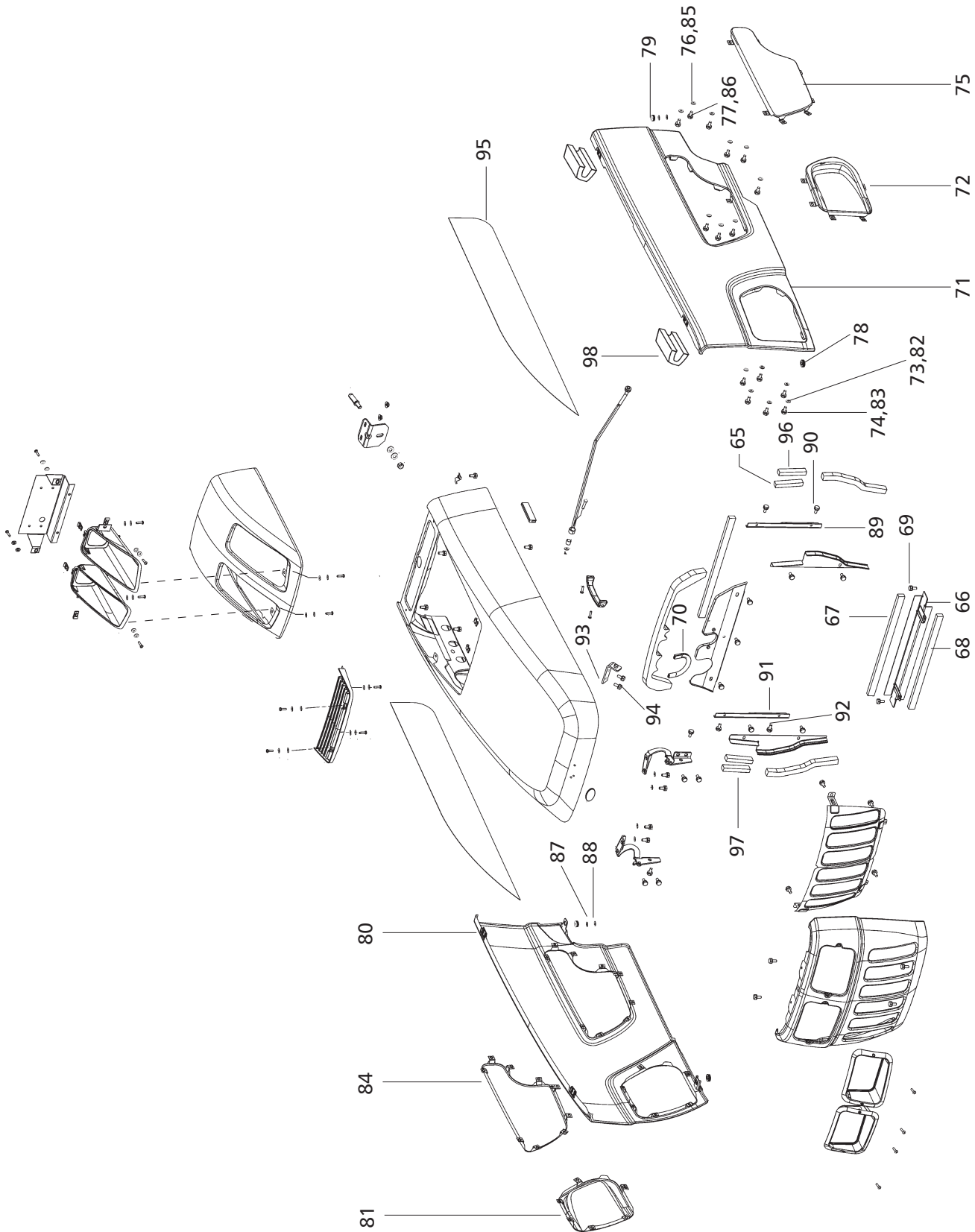
Hood and Front End Assembly



Hood and Front End Assembly

M&M Part Number	Ref.	Description of Part	Unit Quantity		Remarks / Service Bulletin No.
			6565 4WD	6565 2WD	
007535861D1	35	WASHER Plain M6	6	6	
007505032D1	36	SCUTTLE LAMP HOLDER LH	1	1	
007500378D91	37	MTG CLIP	2	2	
007535366D1	38	SCREW Philip Pan Head (M6 x 10)	1	1	
007535861D1	39	WASHER Plain 6.6 x 12.7 x 1	1	1	
007535862D1	40	WASHER Spring M6	1	1	
007535862D1	41	SPRING WASHER M6	6	6	
007505139D91	42	CASE Scuttle Lamp	1	1	
007535368D1	43	SCREW Philip Pan Head (M6 x 16)	4	4	
007500559D1	44	ANGLE Hood Latch Mounting	1	1	
000020777E05	45	NUT Flanged Hex M8	2	2	
Part Deleted	46	GASKET	1	1	
007500159D92	47	PANEL Front Grille	1	1	
000020797E05	48	BOLT Flanged Hex M6 x 12	2	2	
000020308E05	49	BOLT Flanged Hex (M8 x 16)	2	2	
007500163D92	50	PERFORATED GUARD Front Grille	1	1	
000020797E05	51	BOLT Flanged Hex M6 x 12	4	4	
007500198D2	52	COVER Head Lamp LH	1	1	
007500199D2	53	COVER Head Lamp RH	1	1	
000012904P04	54	SCREW A M4 x 10-6.6 Pan Hd. Cross Recessed	4	4	
007500601D91	55	SIDE SEALING for Radiator LH	1	1	
007535769D1	56	FOAM	1	1	
000020797E05	57	BOLT Flanged Hex M6 x 12	2	2	
007500602D91	58	SIDE SEALING for Radiator RH	1	1	
007535769D1	59	FOAM	1	1	
000020797E05	60	BOLT Flanged Hex M6 x 12	2	2	
007500582D91	61	TOP SEALING for Radiator	1	1	
000012190P04	62	BOLT Hex (M8 x 12)	3	3	
E007535761D1	63	FOAM RADIATOR - TOP SEALING	1	1	
007535579D1	64	FOAM Top Sealing - BOTTOM	1	1	
007535580D2	65	FOAM Sealing - Side Channel	2	2	
007500341D92	66	SEALING	1	1	
007535287D1	67	SEALING FOAM Radiator Front (Top)	1	1	

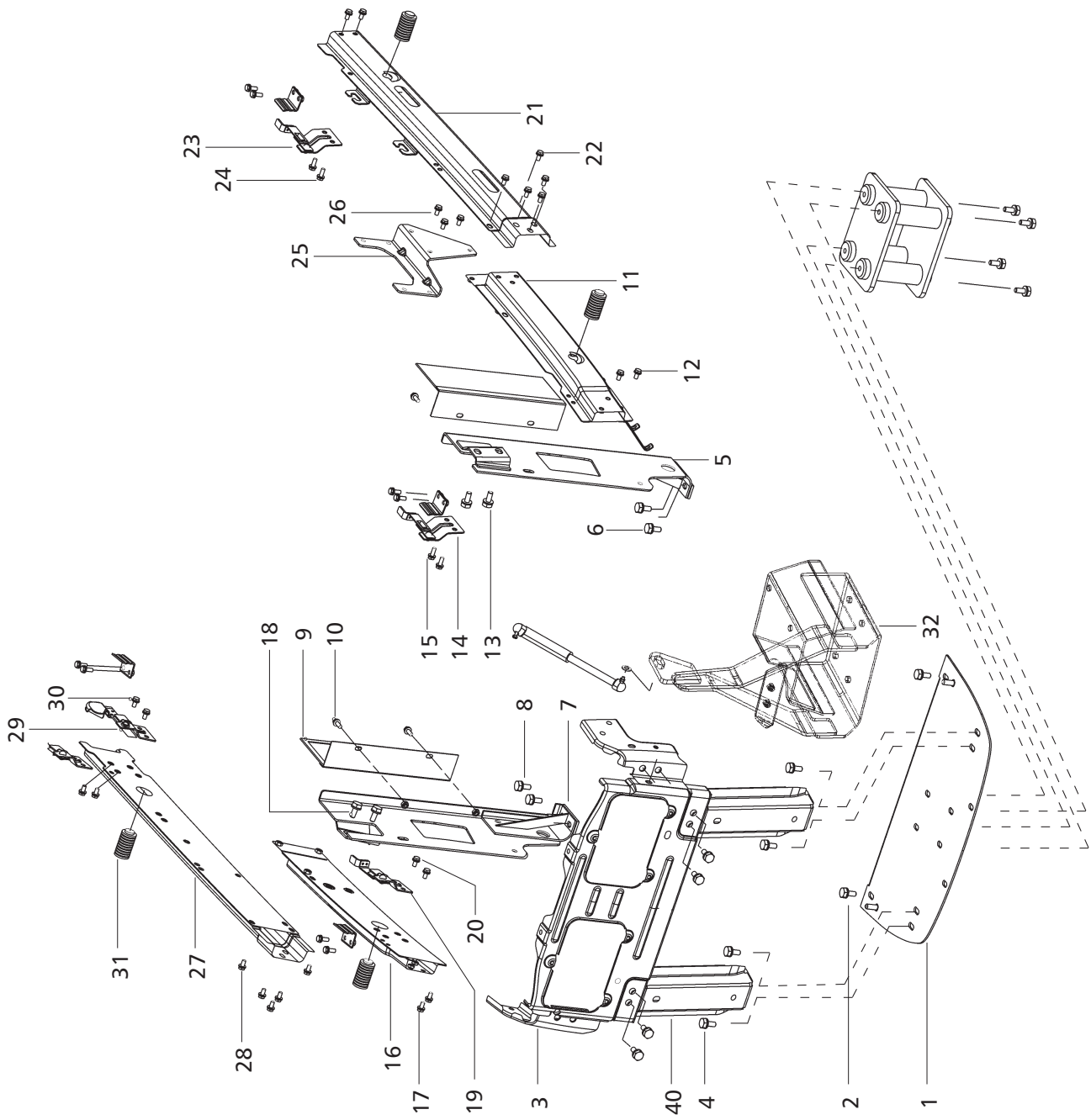
Hood and Front End Assembly



Hood and Front End Assembly

M&M Part Number	Ref.	Description of Part	Unit Quantity		Remarks / Service Bulletin No.
			6565 4WD	6565 2WD	
007535288D1	68	SEALING FOAM Radiator Front (Bottom)	1	1	
000020308E05	69	BOLT Flanged Hex (M8 x 16)	2	2	
007500552D1	70	BEADING	1	1	
007500130D92	71	SIDE PANEL LH	1	1	
007500399D91	72	FRONT GRILL for Side Panel LH	1	1	
007535862D1	73	WASHER Spring M6	6	6	
000020797E05	74	BOLT Flanged Hex M6 x 12	6	6	
007500401D91	75	REAR GRILL for Side Panel LH	1	1	
007535862D1	76	WASHER Spring M6	9	9	
000020797E05	77	BOLT Flanged Hex M6 x 12	9	9	
007535308D1	78	GROMMET	2	2	
007535307D1	79	GROMMET	2	2	
007500131D92	80	SIDE PANEL RH	1	1	
007500400D91	81	FRONT GRILL for Side Panel RH	1	1	
007535862D1	82	WASHER Spring M6	6	6	
000020797E05	83	BOLT Flanged Hex M6 x 12	6	6	
007500402D91	84	REAR GRILL for Side Panel RH	1	1	
007535862D1	85	WASHER Spring M6	9	9	
000020797E05	86	BOLT Flanged Hex M6 x 12	9	9	
007535821D1	87	SPACER 1 Thk	2	2	
007535822D1	88	SPACER 2 Thk	2	2	
007535842D91	89	SIDE SEALING Mtg. Angle Assy. LH	1	1	
000020797E05	90	BOLT Flanged Hex M6 x 12	2	2	
007535843D91	91	SIDE SEALING Mtg. Angle Assy. RH	1	1	
000020797E05	92	BOLT Flanged Hex M6 x 12	2	2	
007500896D91	93	GAS SPRING Bracket Top S/A	1	1	
000020307E05	94	BOLT Flanged Hex M8 x 20	2	2	
007535768D1	96	FOAM	1	1	
007535768D1	97	FOAM	1	1	
000060404M01	98	BUMPER - Hood	4	4	
007537894D91	*	REGISTRATION Plate Mounting Bracket Front	1	1	

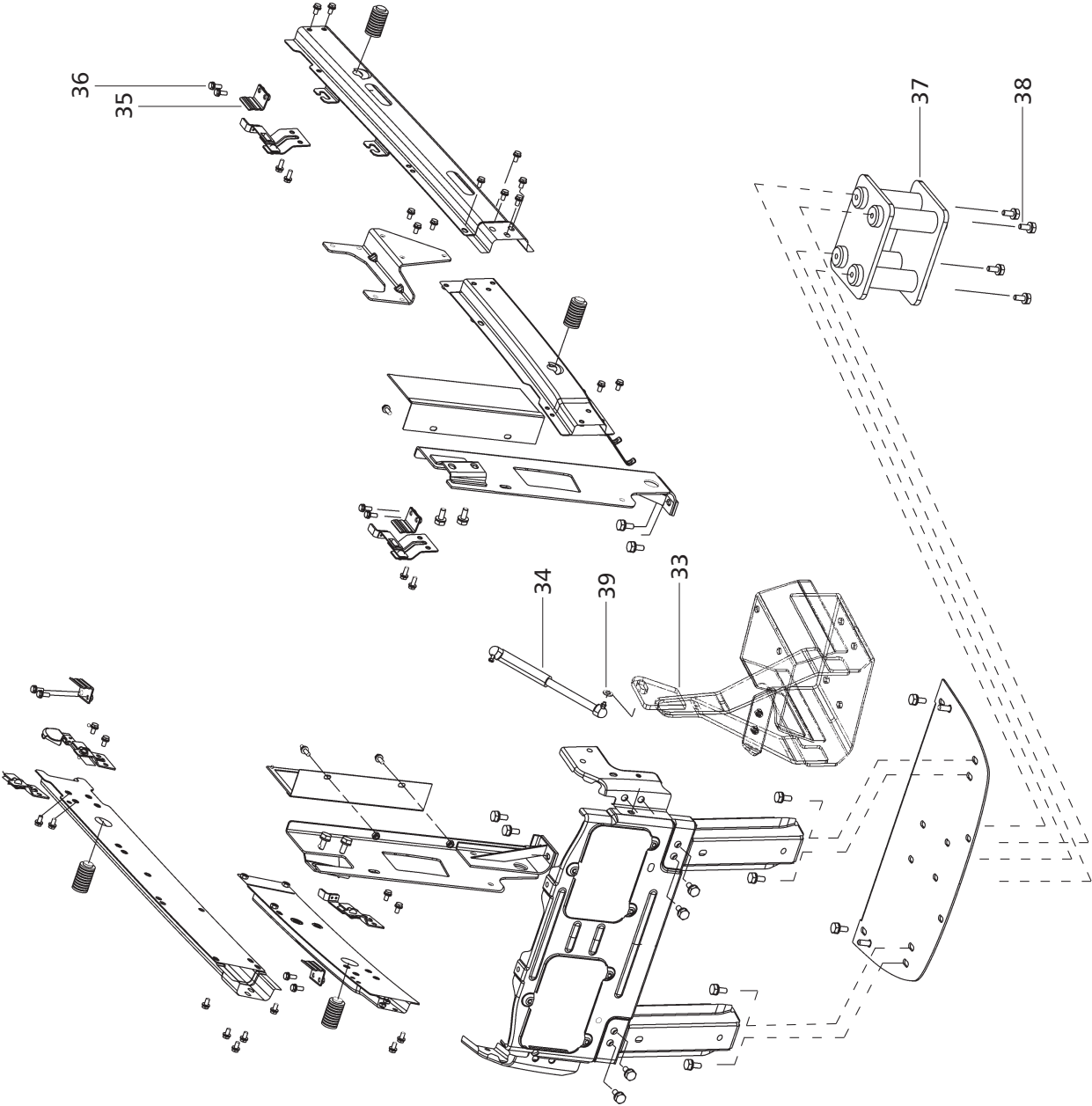
Front Structure Assembly



Front Structure Assembly

M&M Part Number	Ref.	Description of Part	Unit Quantity		Remarks / Service Bulletin No.
			6565 4WD	6565 2WD	
007500252D91	1	SUPPORT PLATE	1	1	
000020308E05	2	BOLT Flanged Hex (M8 x 16)	2	2	
007500172D95	3	FRONT FRAME STRUCTURE	1	1	
000020307E05	4	BOLT Flanged Hex M8 x 20	8	8	
007500318D93	5	BRACKET Radiator Mounting LH	1	1	
000020308E05	6	BOLT Flanged Hex (M8 x 16)	2	2	
007500319D93	7	BRACKET Radiator Mounting RH	1	1	
000020308E05	8	BOLT Flanged Hex (M8 x 16)	2	2	
007535325D1	9	GUARD for Fan Belt	2	2	
000020797E05	10	BOLT Flanged Hex M6 x 12	2	2	
007500284D91	11	FRONT CHANNEL Side Panel LH	1	1	
000020797E05	12	BOLT Flanged Hex M6 x 12	2	2	
000020308E05	13	BOLT Flanged Hex (M8 x 16)	2	2	
007500269D91	14	LATCH Side Panel LH	1	1	
000020797E05	15	BOLT Flanged Hex M6 x 12	2	2	
007500304D91	16	FRONT CHANNEL Side Panel RH	1	1	
000020797E05	17	BOLT Flanged Hex M6 x 12	2	2	
000020308E05	18	BOLT Flanged Hex (M8 x 16)	2	2	
007500374D91	19	LATCH Side Panel RH	1	1	
000020797E05	20	BOLT Flanged Hex M6 x 12	2	2	
007500286D92	21	REAR CHANNEL Side Panel LH	1	1	
000020797E05	22	BOLT Flanged Hex M6 x 12	7	7	
007500269D91	23	LATCH Side Panel LH	1	1	
000020797E05	24	BOLT Flanged Hex M6 x 12	2	2	
007500681D91	25	BRACKET Surge tank Mounting	1	1	
000020797E05	26	BOLT Flanged Hex M6 x 12	3	3	
007500306D92	27	REAR CHANNEL Side Panel RH	1	1	
000020797E05	28	BOLT Flanged Hex M6 x 12	7	7	
007500616D91	29	REAR LATCH RH	1	1	
000020797E05	30	BOLT Flanged Hex M6 x 12	2	2	
000060409M01	31	STOPPER RUBBER - HOOD	4	4	
007500791D91	32	BRACKET	1	1	

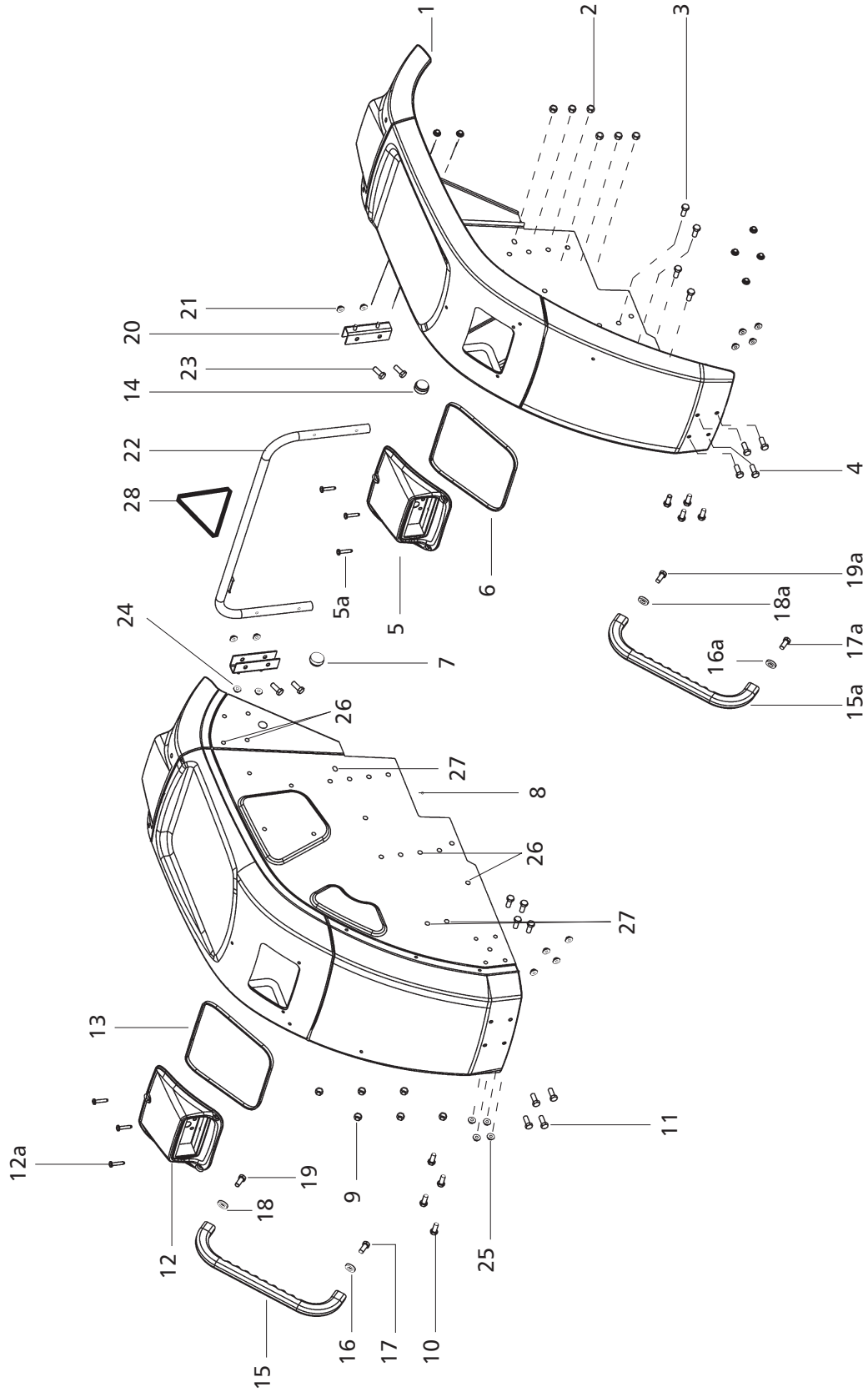
Front Structure Assembly



Front Structure Assembly

M&M Part Number	Ref.	Description of Part	Unit Quantity		Remarks / Service Bulletin No.
			6565 4WD	6565 2WD	
000020306E05	33	BOLT Flanged Hex (M8 X 30)	4	4	
E007500697D1	34	GAS SPRING	1	1	
007500477D1	35	LATCH for Side Panel	4	4	
000020797E05	36	BOLT Flanged Hex M6 x 12	8	8	
Part Deleted	37	SUPPORT BRACKET	1	1	
Part Deleted	38	BOLT Hex head M12 x 30	4	4	
007535860D1	39	WASHER Plain M8	1	1	
007500171D93	40	VERTICAL Column S/A	2	2	

Fender Assembly



Discontinued from Tractor Cut Off Number

6565 4WD

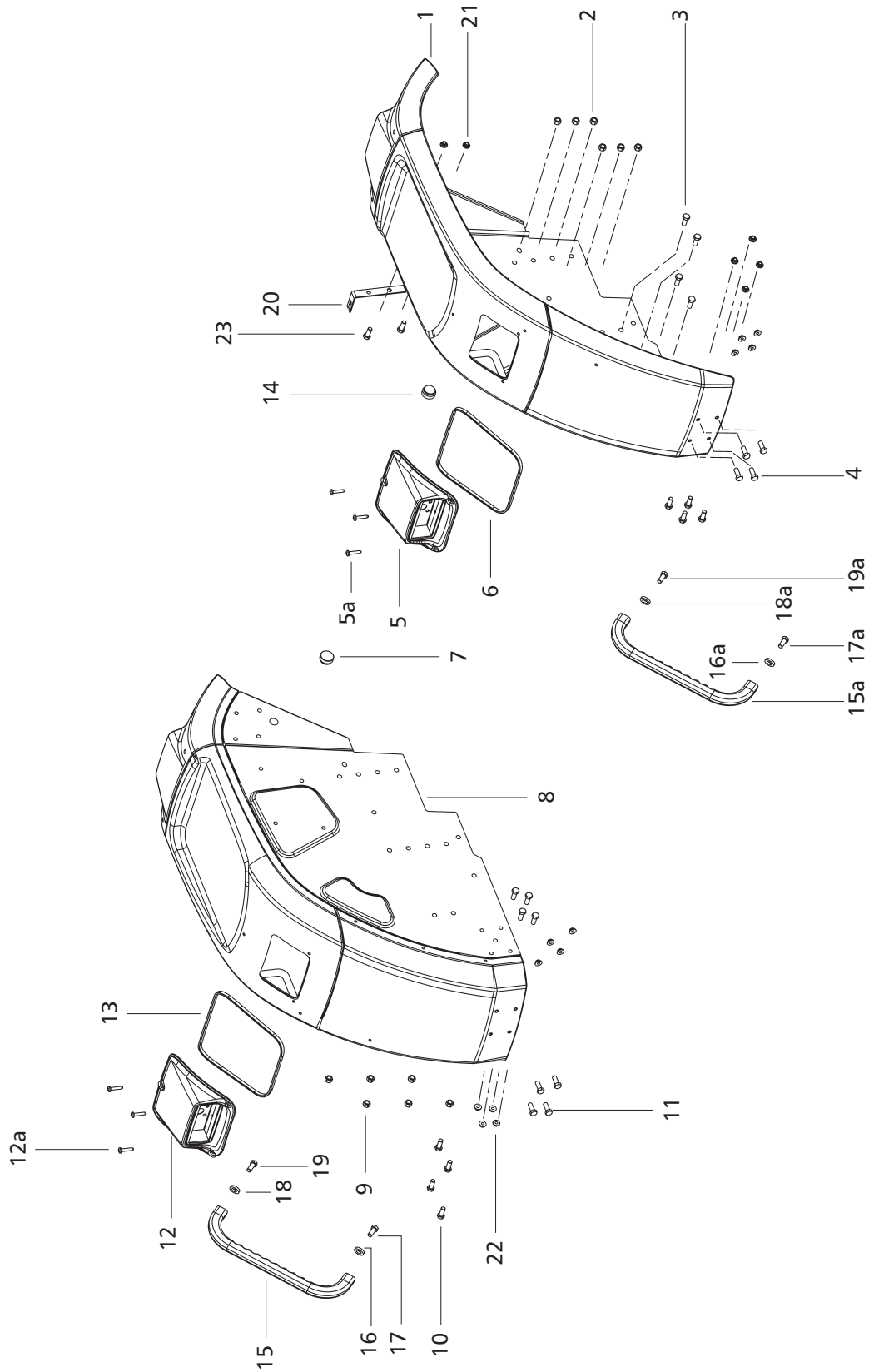
KPS 1336

6565 2WD

KPT 1133

M&M Part Number	Ref.	Description of Part	Unit Quantity		Remarks / Service Bulletin No.
			6565 4WD	6565 2WD	
007530120D95	1	FENDER Assy LH	1	1	
007535360D1	2	NUT Flanged Hex M12	6	6	
007535365D1	3	BOLT Flanged Hex M12 x 25	4	4	
000020306E05	4	BOLT Flanged Hex (M8 X 30)	8	8	
007530055D93	5	HOUSING Fender Lamp	1	1	
007535368D1	5a	SCREW Philip Pan Head (M6X16)	3	3	
007535292D1	6	BEADING Fender Lamp	1	1	
000060865M01	7	BUSH RUBBER	1	1	
007530119D95	8	FENDER Assy RH	1	1	
007535360D1	9	NUT Flanged Hex M12	6	6	
007535365D1	10	BOLT Flanged Hex M12 x 25	4	4	
000020306E05	11	BOLT Flanged Hex (M8 X 30)	8	8	
007530055D93	12	HOUSING Fender Lamp	1	1	
007535368D1	12a	SCREW Philip Pan Head (M6X16)	3	3	
007535292D1	13	BEADING Fender Lamp	1	1	
000060865M01	14	BUSH RUBBER	1	1	
007536181D91	15	HAND HOLD-RH	1	1	
007536180D91	15a	HAND HOLD-LH	1	1	
007535766D1	16	WASHER Nylon - M8	1	1	
007535766D1	16a	WASHER Nylon - M8	1	1	
000020307E05	17	BOLT Flanged Hex M8 x 20	1	1	
000020307E05	17a	BOLT Flanged Hex M8 x 20	1	1	
007535767D1	18	WASHER Nylon - M10	1	1	
007535767D1	18a	WASHER Nylon - M10	1	1	
000020313E05	19	BOLT Flanged Hex M10 x 25	1	1	
000020313E05	19a	BOLT Flanged Hex M10 x 25	1	1	
007530791D91	20	BRACKET for Interconnector Mounting	2	2	
000020777E05	21	NUT Flanged Hex M8	4	4	
007531127C11	22	ARJUN FENDER INTER CONNECTOR-ASSY	1	1	
000020256E05	23	BOLT Flanged Hex M8 x 55	4	4	
000020777E05	24	NUT Flanged Hex M8	4	4	
000020777E05	25	NUT Flanged Hex M8	16	16	
007535100C1	26	PLUG	5	5	
007535890C1	27	PLUG	3	3	
007700640B1	28	EMBLEM	1	1	
Discontinued from Tractor Cut Off Number					
6565 4WD		KPS 1336	6565 2WD		KPT 1133

Fender Assembly



Applicable from Tractor Cut Off Number

6565 4WD

KPS 1337

6565 2WD

KPT 1134

Fender Assembly

M&M Part Number	Ref.	Description of Part	Unit Quantity		Remarks / Service Bulletin No.
			6565 4WD	6565 2WD	
007530120D96	1	FENDER Assy LH	1	1	
007535360D1	2	NUT Flanged Hex M12	6	6	
007535365D1	3	BOLT Flanged Hex M12 x 25	4	4	
000020306E05	4	BOLT Flanged Hex (M8 X 30)	8	8	
007530055D93	5	HOUSING Fender Lamp	1	1	
007535368D1	5a	SCREW Philip Pan Head (M6X16)	3	3	
007535292D1	6	BEADING Fender Lamp	1	1	
000060865M01	7	BUSH RUBBER	1	1	
00753011D96	8	FENDER Assy RH	1	1	
007535360D1	9	NUT Flanged Hex M12	6	6	
007535365D1	10	BOLT Flanged Hex M12 x 25	4	4	
000020306E05	11	BOLT Flanged Hex (M8 X 30)	8	8	
007530055D93	12	HOUSING Fender Lamp	1	1	
007535368D1	12a	SCREW Philip Pan Head (M6X16)	3	3	
007535292D1	13	BEADING Fender Lamp	1	1	
000060865M01	14	BUSH RUBBER	1	1	
007535493D1	15	HAND HOLD	1	1	
007535493D1	15a	HAND HOLD	1	1	
007535766D1	16	WASHER Nylon - M8	1	1	
007535766D1	16a	WASHER Nylon - M8	1	1	
000020307E05	17	BOLT Flanged Hex M8 x 20	1	1	
000020307E05	17a	BOLT Flanged Hex M8 x 20	1	1	
007535767D1	18	WASHER Nylon - M10	1	1	
007535767D1	18a	WASHER Nylon - M10	1	1	
000020313E05	19	BOLT Flanged Hex M10 x 25	1	1	
000020313E05	19a	BOLT Flanged Hex M10 x 25	1	1	
007530515D1	20	PLOUGH Lamp Bracket	1	1	
000020777E05	21	NUT Flanged Hex M8	2	2	
000020777E05	22	NUT Flanged Hex M8	16	16	
000020307E05	23	HEX Flang Bolt M8 x 20	2	2	
007537777D91	*	Assy Reg Plate	1	1	
005557975R91	*	Reg Plate Lamp	1	1	

Applicable from Tractor Cut Off Number

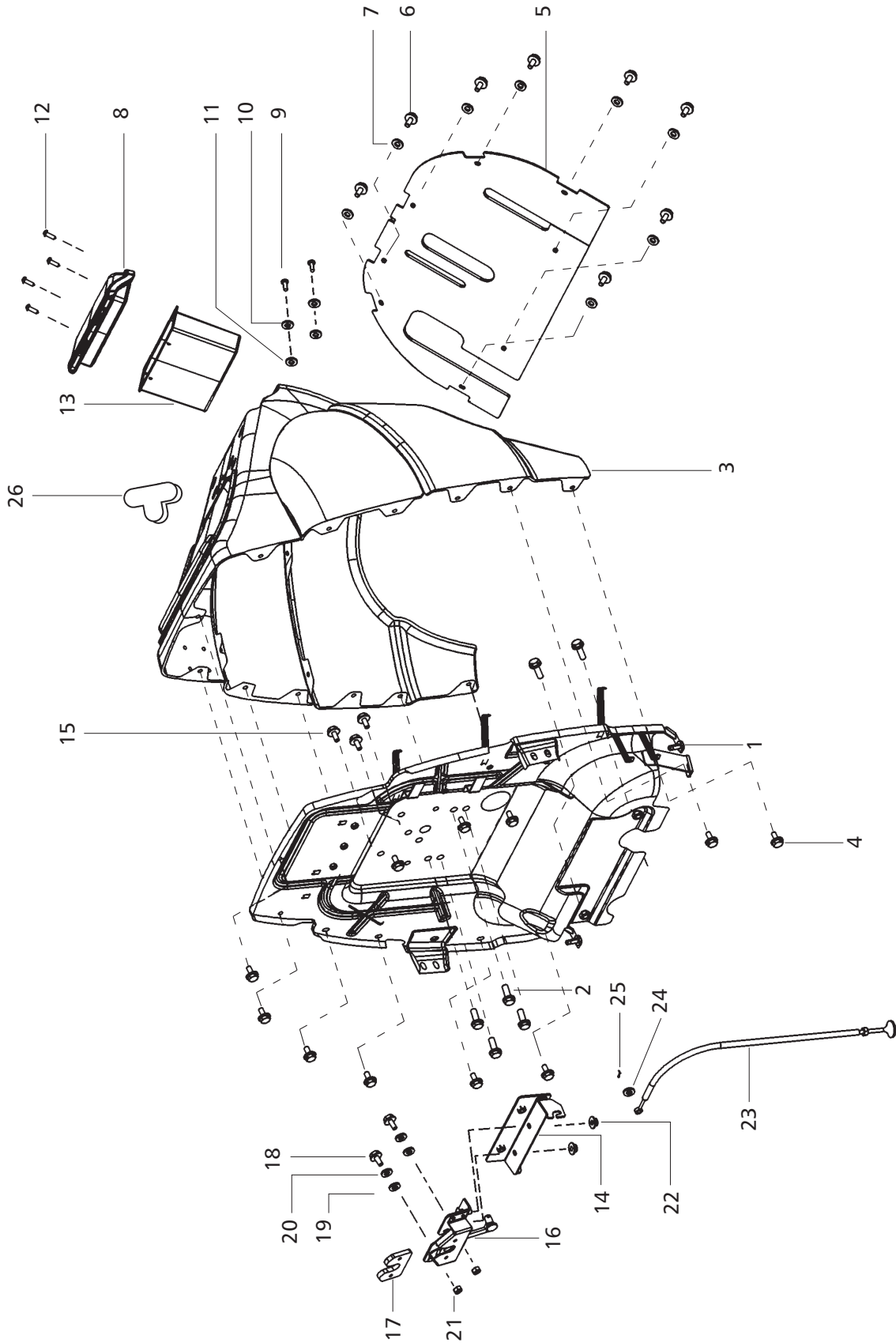
6565 4WD

KPS 1337

6565 2WD

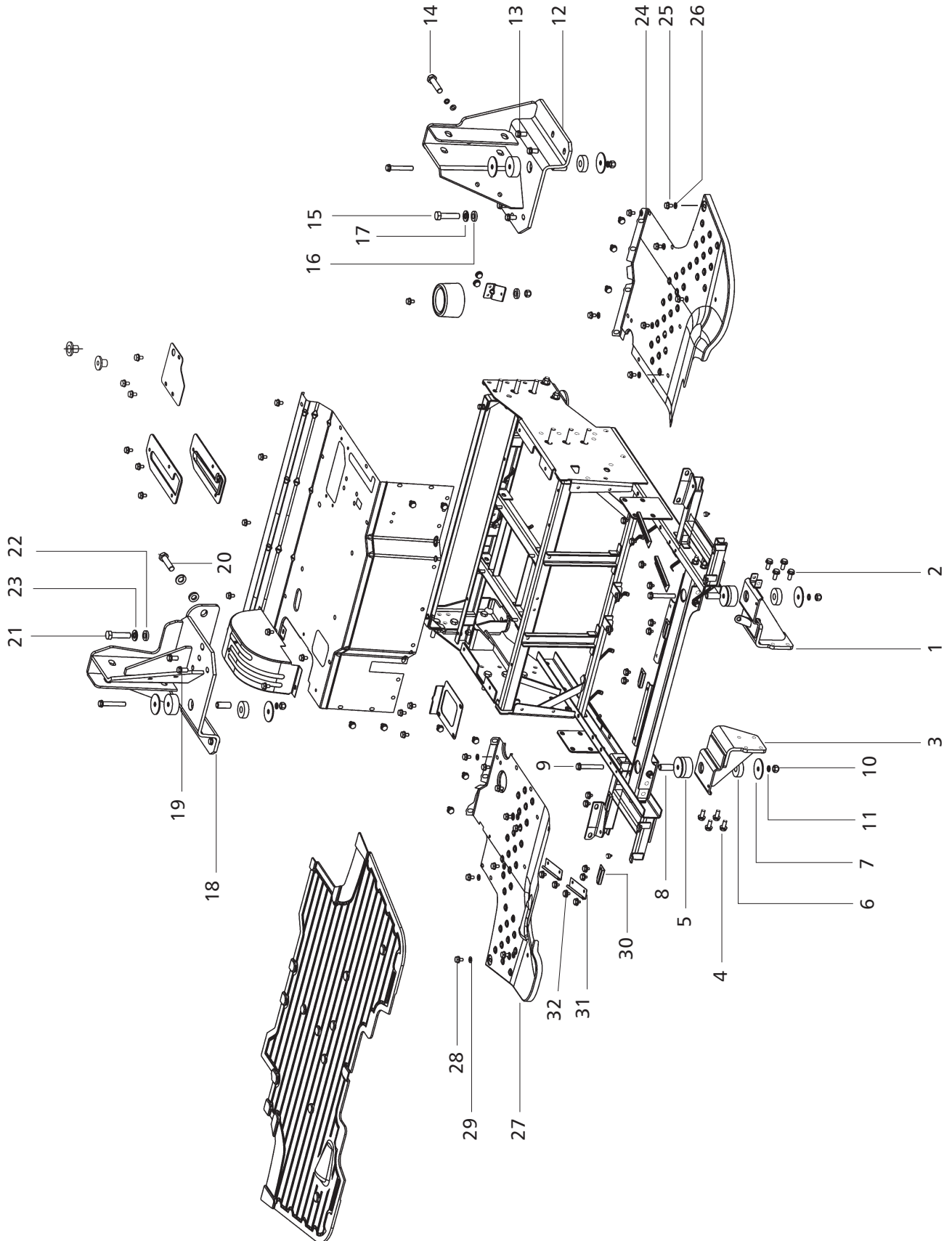
KPT 1134

Scuttle Assembly



M&M Part Number	Ref.	Description of Part	Unit Quantity		Remarks / Service Bulletin No.
			6565 4WD	6565 2WD	
007538003D91	1	FIRE WALL	1	1	
000020565E05	2	BOLT Hex head M10 x 1.5 x 20	6	6	
007505356D91	3	SCUTTLE Assy	1	1	
000020311E05	4	BOLT Flanged Hex M6 x 16	11	11	
007505245D1	5	BOTTOM COVER for Scuttle	1	1	
000020312E05	6	BOLT Flanged Hex M6 x 20	8	8	
007535860D1	7	WASHER Plain	8	8	
007505246D91	8	LID Assy. Utility Box	1	1	
007535368D1	9	SCREW Philip Pan Head (M6 x 16)	2	2	
007535862D1	10	WASHER Spring M6	2	2	
007535861D1	11	WASHER Plain 6.6 x 12.7 x 1	2	2	
000012904P04	12	SCREW A M4 x 10-6.6 Pan Hd. Cross Recessed	4	4	
007535376D1	13	UTILITY BOX	1	1	
007500560D91	14	BRACKET Hood Latch Mounting	1	1	
000020308E05	15	BOLT Flanged Hex (M8 x 16)	3	3	
007500609D91	16	HOOD LATCH Cpte	1	1	
000043038C11	17	PAD RUBBER for Hood Latch	1	1	
000060434M01	18	SCREW Hex 16 Lg.	2	2	
000016559R2	19	WASHER Plain .265 x .625 x .036	2	2	
001233808R1	20	WASHER Spring Lock M6	2	2	
001233807R1	21	NUT Hex M 6 x 1 Zinc Plated	2	2	
000020777E05	22	NUT Flanged Hex M8	2	2	
007535776D1	23	CABLE Hood Opening	1	1	
007535861D1	24	WASHER Plain 6.6 x 12.7 x 1	1	1	
000103361	25	PIN Cotter 1/16 x 1/2	1	1	
000061348M01	26	SCUTTLE Door Beading	1	1	
000012803P04	*	REAR View Mirror	1	1	
007537986D1	*	FIREWALL Bottom Cover-LH	1	1	
007537987D1	*	FIREWALL Bottom Cover-RH	1	1	

Rear Structure and Platform



Applicable from Tractor Cut Off Number

6565 4WD

KPS 1337

6565 2WD

KPT 1134

Rear Structure and Platform

M&M Part Number	Ref.	Description of Part	Unit Quantity		Remarks / Service Bulletin No.
			6565 4WD	6565 2WD	
007537248D91	1	BRACKET Isolator Mounting LH	1	1	
000020313E05	2	BOLT Flanged Hex M10 x 25	4	4	
007537249D91	3	BRACKET Isolator Mounting RH	1	1	
000020313E05	4	BOLT Flanged Hex M10 x 25	4	4	
007535349D91	5	VIBRATION ISOLATER (Upper)	4	4	
007535353D1	6	VIBRATION ISOLATER (Lower)	4	4	
007535351D1	7	WASHER	4	4	
007535354D1	8	SPACER PIPE	4	4	
007535364D1	9	BOLT Flanged Hex M12 x 80	4	4	
005556479R1	10	NUT Nyloc M12	4	4	
005554172R1	11	WASHER Plain 14.5 x 30 mm	4	4	
007517131D91	12	ROPS Mounting Bracket Assembly LH (2 x 4)	1	1	
007535365D1	13	BOLT Flanged Hex M12 x 25	4	4	
007535630D1	14	BOLT Hex head M16 x 2 x 70	1	1	
007535629D1	15	SCREW Hex head M16 x 2 x 35	1	1	
001099817R1	16	WASHER Plain	2	2	
005556521R1	17	WASHER Spring Lock M16	2	2	
007517132D91	18	ROPS Mounting Bracket Assembly RH (2 x 4)	1	1	
007535365D1	19	BOLT Flanged Hex M12 x 25	4	4	
007535630D1	20	BOLT Hex head M16 x 2 x 70	1	1	
007535629D1	21	SCREW Hex head M16 x 2 x 35	1	1	
001099817R1	22	WASHER Plain	2	2	
005556521R1	23	WASHER Spring Lock M16	2	2	
007530303D91	24	PLATFORM Front Panel LH	1	1	
000020307E05	25	BOLT Flanged Hex M8 x 20	10	10	
007535860D1	26	WASHER Plain 8.5 x 19 x 3	7	7	
007530412D91	27	PLATFORM Front Panel RH	1	1	
000020307E05	28	BOLT Flanged Hex M8 x 20	12	12	
007535860D1	29	WASHER Plain 8.5 x 19 x 3	6	6	
007530519D1	30	CLAMP	4	4	
007530520D1	31	CLAMP	4	4	
000020797E05	32	BOLT Flanged Hex M6 x 12	16	16	

Applicable from Tractor Cut Off Number

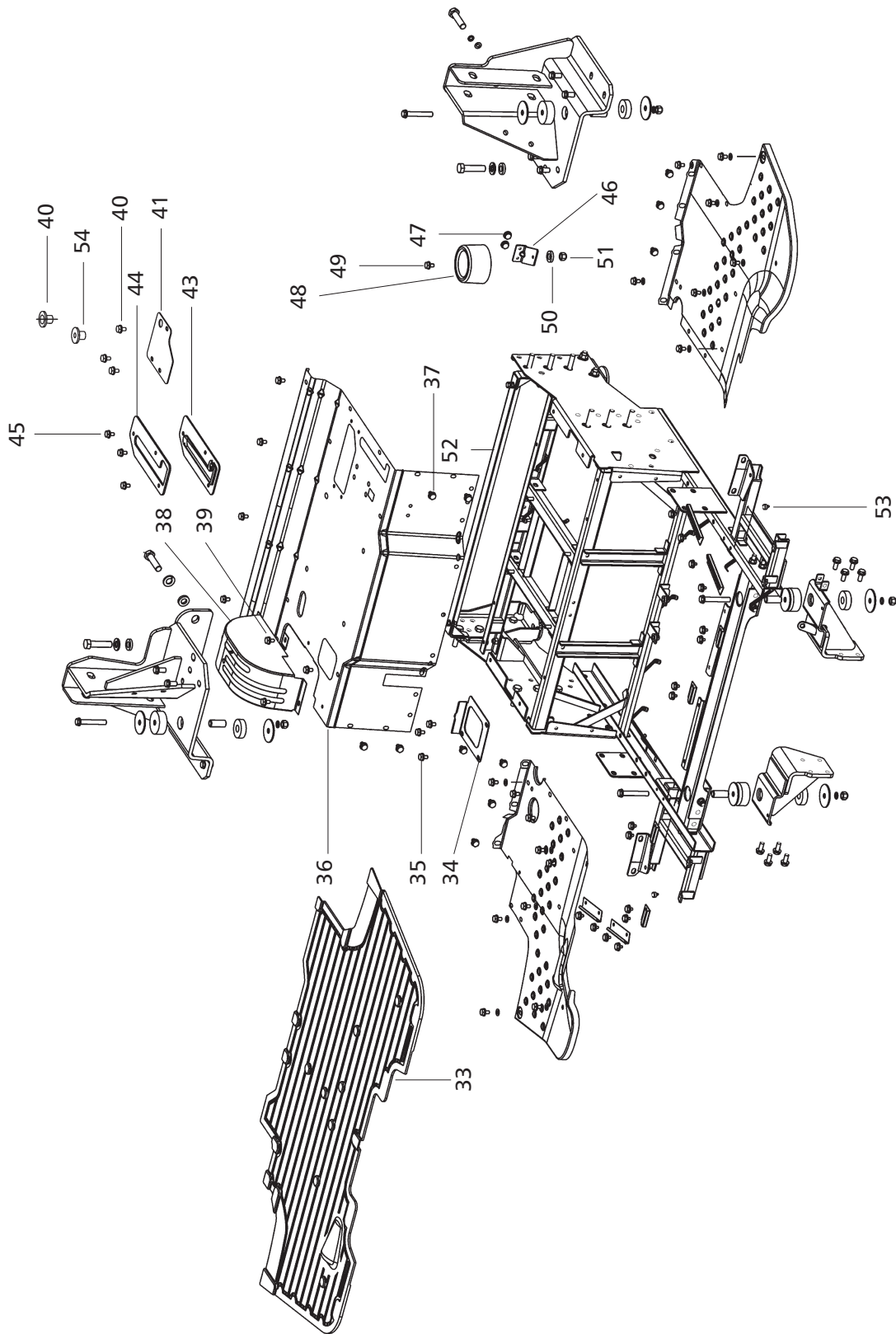
6565 4WD

KPS 1337

6565 2WD

KPT 1134

Rear Structure and Platform



Applicable from Tractor Cut Off Number

6565 4WD

KPS 1337

6565 2WD

KPT 1134

Rear Structure and Platform

M&M Part Number	Ref.	Description of Part	Unit Quantity		Remarks / Service Bulletin No.
			6565 4WD	6565 2WD	
007535430D2	33	RUBBER MAT	1	1	
007530411D2	34	COVER SPEED LEVER	1	1	
000020308E05	35	BOLT Flanged Hex (M8 x 16)	3	3	
007530015D94	36	REAR PLATFORM	1	1	
000020308E05	37	BOLT Flanged Hex (M8 x 16)	11	11	
007510016D91	38	PC - DC COVER	1	1	
000020308E05	39	BOLT Flanged Hex (M8 x 16)	3	3	
007536150D1	40	BUSH 4WD Lever	1	–	
007530957D1	41	COVER PTO TOP	1	1	
000020307E05	42	BOLT Flanged Hex M8 x 20	3	3	
007530664D1	43	MIDDLE COVER - IPTO	1	1	
007530663D1	44	TOP COVER - IPTO	1	1	
000020307E05	45	BOLT Flanged Hex M8 x 20	3	3	
007535385D2	46	BRACKET - Can Holder	1	1	
000020797E05	47	BOLT Flanged Hex M6 x 12	2	2	
007535383D1	48	CAN HOLDER	1	1	
007535368D1	49	SCREW Philip Pan Head (M6X16)	1	1	
007535861D1	50	WASHER Plain 6.6 x 12.7 x 1	1	1	
000060683M01	51	NUT NYLOC M-6	1	1	
007537331D91	52	REAR STRUCTURE Assy	1	1	
000060495M01	53	RUBBER PAD	2	2	
005555460R1	54	GROMMET	–	1	

Applicable from Tractor Cut Off Number

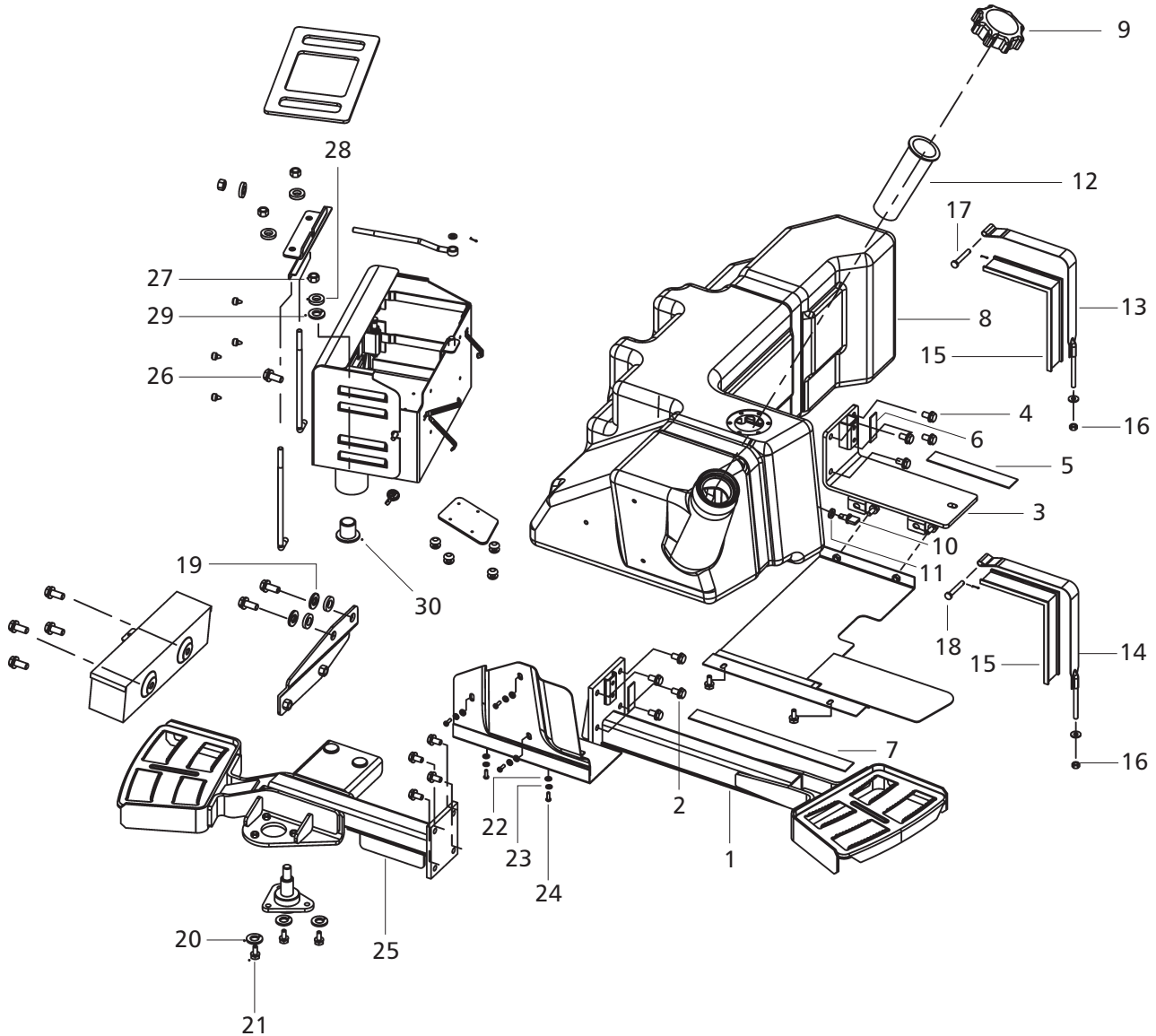
6565 4WD

KPS 1337

6565 2WD

KPT 1134

Fuel Tank and Battery Mounting



Applicable from Tractor Cut Off Number

6565 4WD

KPS 1337

6565 2WD

KPT 1134

Fuel Tank and Battery Mounting

M&M Part Number	Ref.	Description of Part	Unit Quantity		Remarks / Service Bulletin No.
			6565 4WD	6565 2WD	
007515315D91	1	BRACKET LH Foot Step	1	1	
000020313E05	2	BOLT Flanged Hex M10 x 25	4	4	
007515244D91	3	BRACKET Fuel Tank Rear	1	1	
000020565E05	4	BOLT Hex head M10 x 1.5 x 20	4	4	
007515055D1	5	PAD Fuel Tank (Rear)	1	1	
007515056D1	6	PAD Fuel Tank (Side)	2	2	
007515057D1	7	PAD Fuel Tank (Front)	1	1	
007515210D92	8	FUEL TANK Assy	1	1	
007515065D91	9	CAP Fuel Tank	1	1	
001127926R1	10	WING BOLT Water Drain	1	1	
001121752R2	11	WASHER Rubber	1	1	
007515087D1	12	STRAINER	1	1	
007515314D91	13	STRAP Fuel Tank -Rear	1	1	
007515246D91	14	STRAP Fuel Tank -Front	1	1	
007515231D1	15	Beading - Fuel Tank Strap	2	2	
000020777E05	16	NUT Flanged Hex M8	2	2	
007535371D1	17	CLEVIS PIN	2	2	
000103361	18	PIN Cotter 1/16 x 1/2	2	2	
005556521R1	19	WASHER Spring Lock M16	2	2	
000934309R1	20	WASHER M8 Spring Lock	3	3	
000020306E05	21	BOLT Hex. M8 x 30	3	3	
007535865D1	22	WASHER Plain 6.5X12.5X1.5	5	5	
007535862D1	23	WASHER Spring M6	5	5	
000012807P04	24	SCREW A M5 x 16 Pan Hd. Cross Recessed	5	5	
007515235D91	25	GUARD Fuel Tank	1	1	
000020313E05	26	BOLT Flanged Hex M10 x 25	1	1	
000012653P04	27	NUT M16 x 2	1	1	
005556521R1	28	WASHER Spring Lock M16	1	1	
001099817R1	29	WASHER Plain	1	1	
007530817D1	30	BUSH	1	1	

Applicable from Tractor Cut Off Number

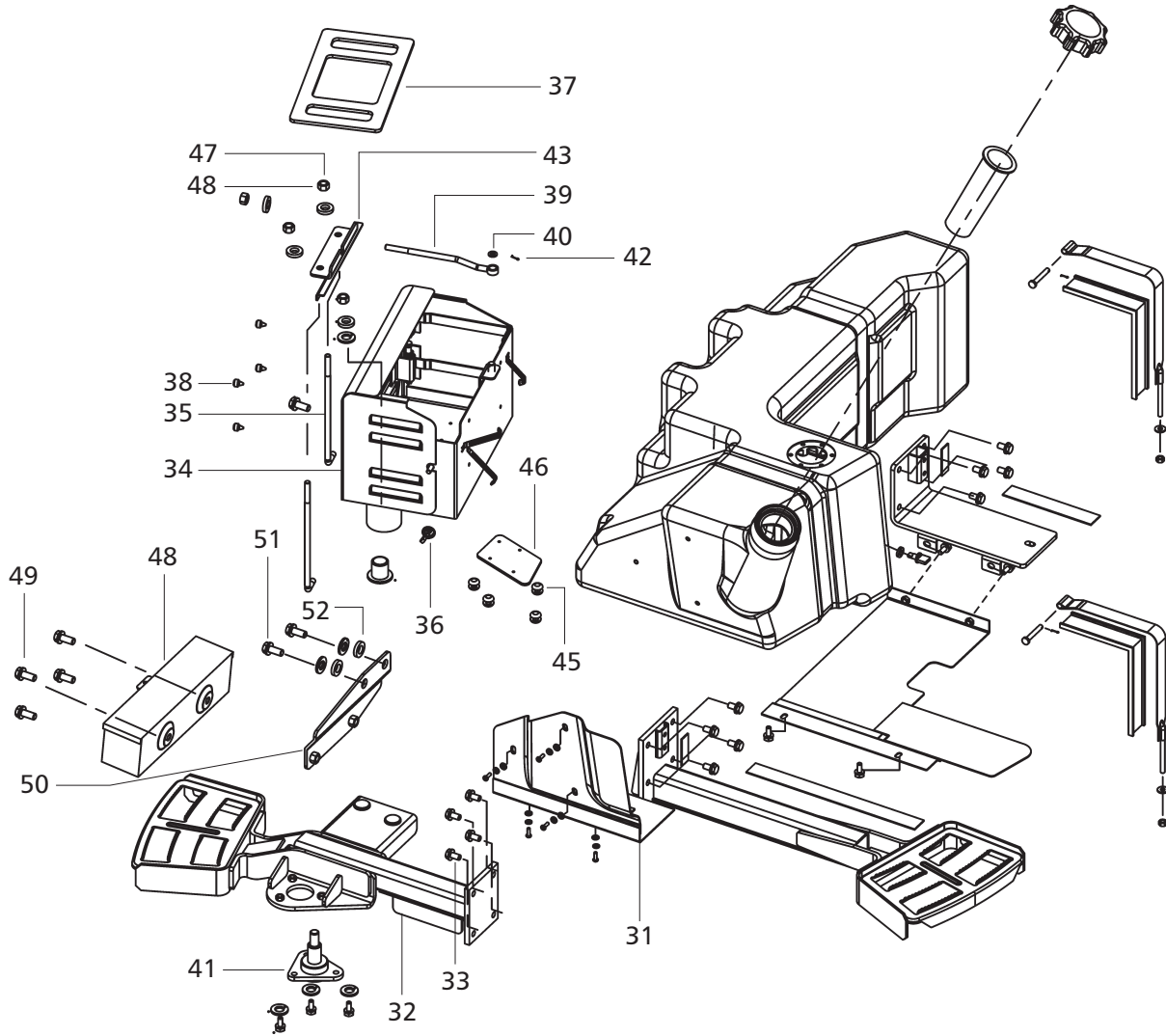
6565 4WD

KPS 1337

6565 2WD

KPT 1134

Fuel Tank and Battery Mounting



Applicable from Tractor Cut Off Number

6565 4WD

KPS 1337

6565 2WD

KPT 1134

Fuel Tank and Battery Mounting

M&M Part Number	Ref.	Description of Part	Unit Quantity		Remarks / Service Bulletin No.
			6565 4WD	6565 2WD	
007515211D92	31	GUARD Fuel Tank (Front)	1	1	
007537642D91	32	FOOT PLATE Support RH	1	1	
000020313E05	33	BOLT Flanged Hex M10 x 25	4	4	
007537409D91	34	BATTERY Box Complete	1	1	
007530483D2	35	STUD Battery	1	1	
001231333R91	36	NUT Wing	1	1	
008000211B2	37	PAD RUBBER for Battery	1	1	
000060495M01	38	PAD RUBBER - Door Fuel	4	4	
007530834D91	39	TOP STUD Assy - Battery	1	1	
005554172R1	40	WASHER Plain 14.5 x 30 mm	2	2	
007530835D92	41	SWIVEL Pin Assy	1	1	
000103374	42	PIN Cotter 3/32 x 1"	1	1	
007530484D92	43	CLAMP Assy Battery	1	1	
000030184R1	44	WASHER Plain M10	3	3	
007535832D1	45	POP RIVET	4	4	
007530821D1	46	SLIDING PLATE	1	1	
005554365R1	47	NUT M10 x 1.5	3	3	
005555301R91	48	TOOL BOX Cpte.	1	1	
007535365D1	49	BOLT Flanged Hex M12 x 25	2	2	
007537983D91	50	BRACKET Toolbox Mounting	1	1	
007535629D1	51	SCREW Hex. head M16 x 2 x 35	2	2	
001099817R1	52	WASHER Plain	2	2	
000020308E05	53	BOLT Flanged Hex. (M8 x 16)	4	4	
007536260D1	*	SPRING Battery Clamp	1	1	

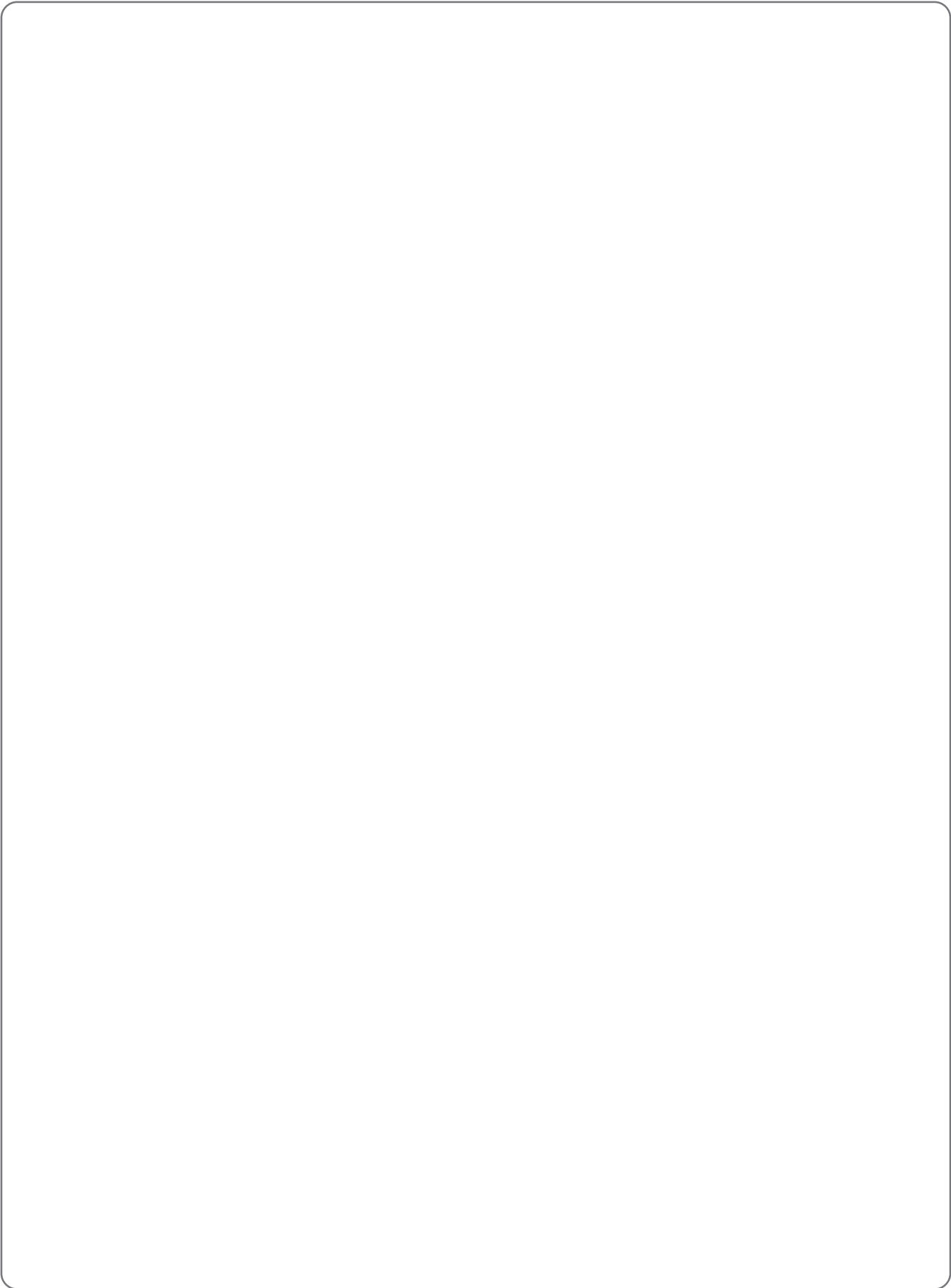
Applicable from Tractor Cut Off Number

6565 4WD

KPS 1337

6565 2WD

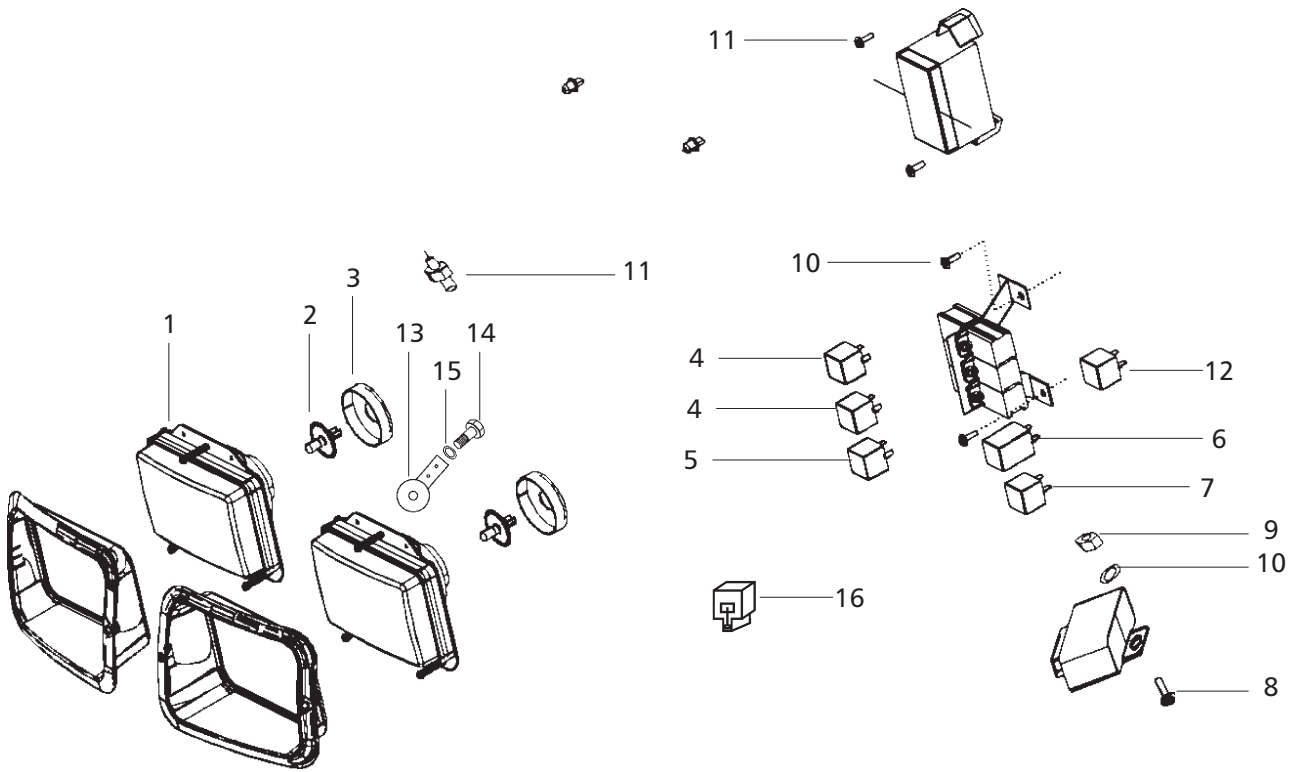
KPT 1134



Stickers, Graphics, Decals, EPA Plates

M&M Part Number	Ref.	Description of Part	Unit Quantity		Remarks / Service Bulletin No.
			6565 4WD	6565 2WD	
007535340D91		STICKER SET	1	1	
007535341D91		STICKER SET	1	1	
007535634D1		STICKER For Speed Chart	1	1	
007600049R1		STICKER FINAL OK	1	1	
007604595D1		SERIAL NUMBER PLATE 6565 - 4WD	1	-	
007604593D1		SERIAL NUMBER PLATE 6565 - 2WD	-	1	
007535705D91		SET OF STICKERS	1	1	
007535881D1		STICKERS Battery Box	1	1	
007535808D1		STICKER Auxiliary Valve	1	1	
007538725D1		GRAPHICS 4WD	1	-	
007501166D1		GRAPHICS (Arjun International) 2WD / 4WD	1	1	
007538716D1		GRAPHICS 2WD	1	-	

Head Lamp and Scuttle Lamp

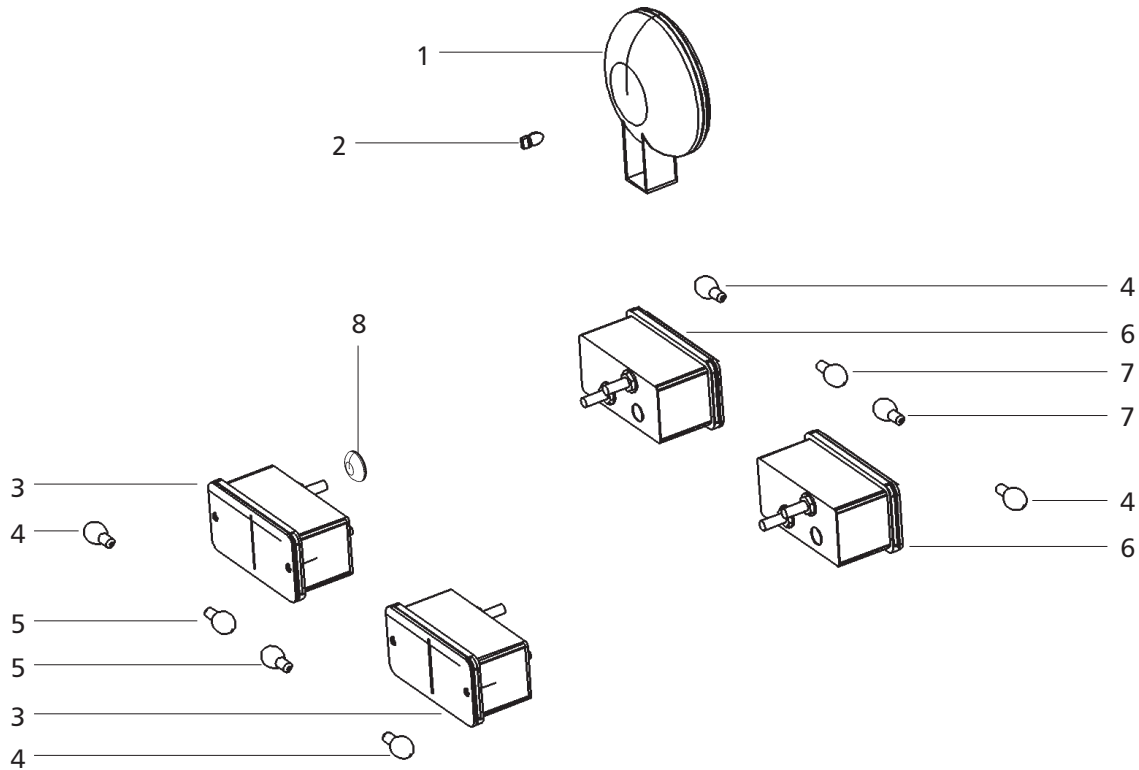


Head Lamp and Scuttle Lamp

M&M Part Number	Ref.	Description of Part	Unit Quantity		Remarks / Service Bulletin No.
			6565 4WD	6565 2WD	
007700122D91	1	HEAD LAMP - MFR (LHD) Consists of :	2	2	
005557947R1	2	▶ BULB H4 60/55 W	2	2	
007700318D1	3	▶ RUBBER BOOT for Head Lamp	2	2	
007700319D1	*	▶ KIT H/L FITMENT consisting of Screw & Spring	2	2	
007505631D1	*	COVER Scuttle Lamp	2	2	
000013066P04	4	RELAY - Head Lamp	2	2	
000013084P04	5	RELAY for Starter Motor	1	1	
007700570D91	6	TIMER KSB	1	1	
000013078P04	7	RELAY Engine Shut - off	1	1	
000060971M01	8	SCREW Philips Head M6 x 20	3	3	
000012807P04	9	SCREW M5 x 16 Pan Hd. Cross Recessed	1	1	
007535747D1	10	WASHER Plain 6.6 x 12.7 x 1	1	1	
000013085P04	11	SWITCH Oil Pressure	1	1	
007700811D91	*	WIRING HARNESS Front	1	1	
005556674R2	*	GUARD for Starter Motor	1	1	
005557308R2	*	NUT Domed	1	1	
007700211D91	*	HARNESS for Glow Plug	1	1	
001233807R1	*	NUT Hex M 6 x 1 Zinc Plated	2	2	
007700311D1	*	FUSE 5A	1	1	
000040697C99	*	FUSE 10A	3	3	
000040883C99	*	FUSE 15A	4	4	
007700310D1	*	FUSE 25A	1	1	
007700309D1	*	FUSE 30A	1	1	
000013065P04	12	RELAY HORN	1	1	
007700750B91	13	HORN	1	1	
000060434M01	14	BOLT M6	2	2	
001233808R1	15	WASHER M6	2	2	
007700572B91	16	SHORT Link	1	1	
007505245D1	*	COVER Scuttle Bottom	1	1	

* Parts Not Illustrated

Plough Lamp and Combination Lamp

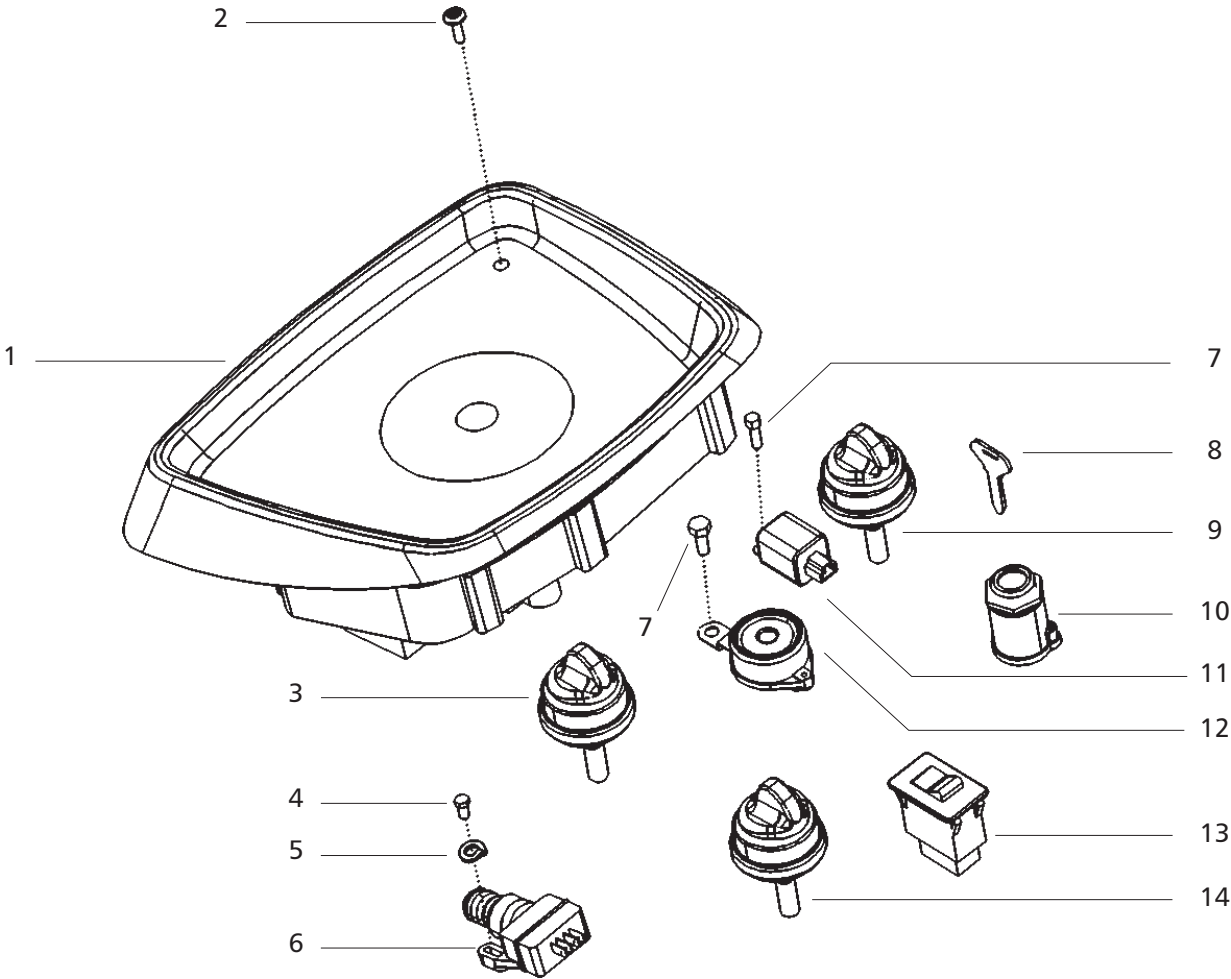


Plough Lamp and Combination Lamp

M&M Part Number	Ref.	Description of Part	Unit Quantity		Remarks / Service Bulletin No.
			6565 4WD	6565 2WD	
007700067D91		WIRING HARNESS - Fender LH	1	1	
0000000PL	1	PLOUGH LAMP Round with Bulb	1	1	
000041677C91	2	BULB 55 W	1	1	
000013034P04	3	LAMP COMBINATION Front Consisting of :	2	2	
005556522R91	4	BULB 12V / 21 W	2	2	
005556522R91	4	BULB 12V / 21 W	2	2	
005556523R91	5	BULB 12V / 5 W	2	2	
000013035P04	6	LAMP COMBINATION Rear Consisting of :	2	2	
005556872R91	7	BULB 12V, 21/5 W	2	2	
007700272D1	8	RUBBER BOOT	1	1	
007700204D91	*	WIRING HARNESS - Fender RH (7520,6565,5520)	1	1	

* Parts Not Illustrated

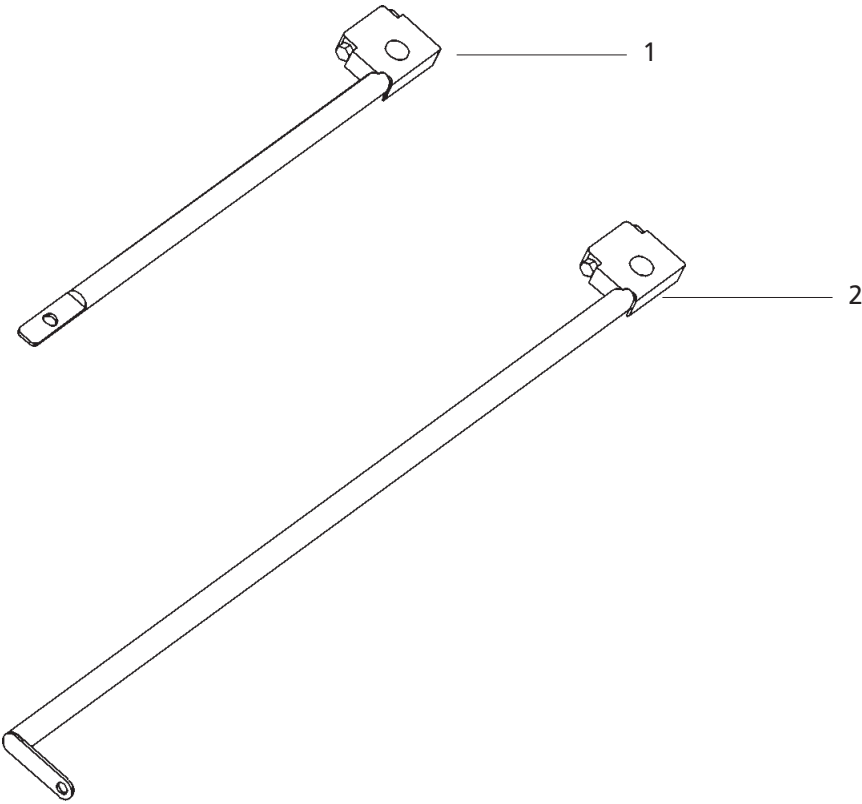
Instrument Panel and Switches



Instrument Panel and Switches

M&M Part Number	Ref.	Description of Part	Unit Quantity		Remarks / Service Bulletin No.
			6565 4WD	6565 2WD	
007700837D91	1	INSTRUMENT CLUSTER consisting of :	1	1	
007700131D1		▶ GLASS with Rubber Beading	1	1	
000040880C99		▶ BULB 1.7 W	9	9	
000040881C99		▶ BULB 3 W	2	2	
007700146D91		▶ GAUGE Fuel Level	1	1	
007700150D91		▶ GAUGE Temp (Electrical)	1	1	
007700142D91		▶ RPM Meter	1	1	
000012807P04	2	SCREW A M5 x 16 Pan Hd. Cross Recessed	4	4	
000013056P04	3	SWITCH Scuttle Cum Plough Lamp	1	1	
007535626C1	4	BOLT M4 x 20	4	4	
000060809M01	5	WASHER Spring Lock M4	4	4	
000013058P04	6	SWITCH Brake Light	2	2	
000060971M01	7	SCREW Philips Head M6 x 20	2	2	
007700312D1	8	KEY	1	1	
000013053P04	9	SWITCH Light	1	1	
000013052P04	10	STARTER SWITCH 4 Position	1	1	
E000041614C11	11	FLASHER with lockable connector	1	1	
007700124D91	12	Intermittent Beeper - IPTO	1	1	
005558699R92	13	SWITCH HAZARD	1	1	
000013054P04	14	SWITCH Turn Signal	1	1	
007700491D91	*	WIRING HARNESS Instru cl. 7520, 6565, 5520	1	1	
007700320D91	*	BUZZER	1	1	
007700152D91	*	FITMNT KIT - Inst Cluster Consisting of Internal Screws	1	1	
007700495D91	*	CONTROLER for Buzzle Scavenging Pump			

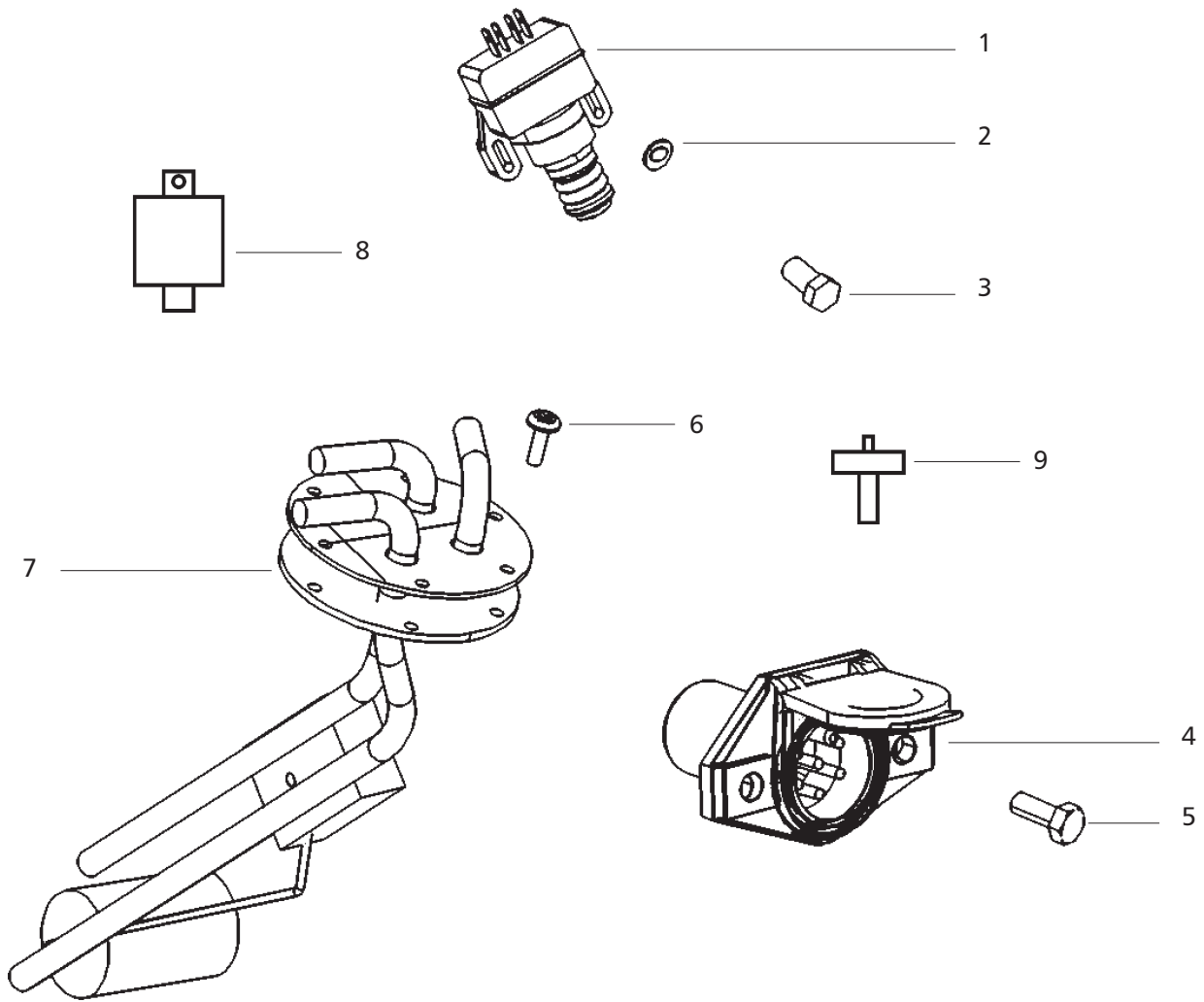
* Parts Not Illustrated



Battery and Cable

M&M Part Number	Ref.	Description of Part	Unit Quantity		Remarks / Service Bulletin No.
			6565 4WD	6565 2WD	
000013073P04	1	CABLE - Battery -ve	1	1	
E000013074P04	2	CABLE - Battery +ve	1	1	

Fuel Level Sensor and 7 Pole Socket



Applicable from Tractor Cut Off Number

6565 4WD

KPS 1337

6565 2WD

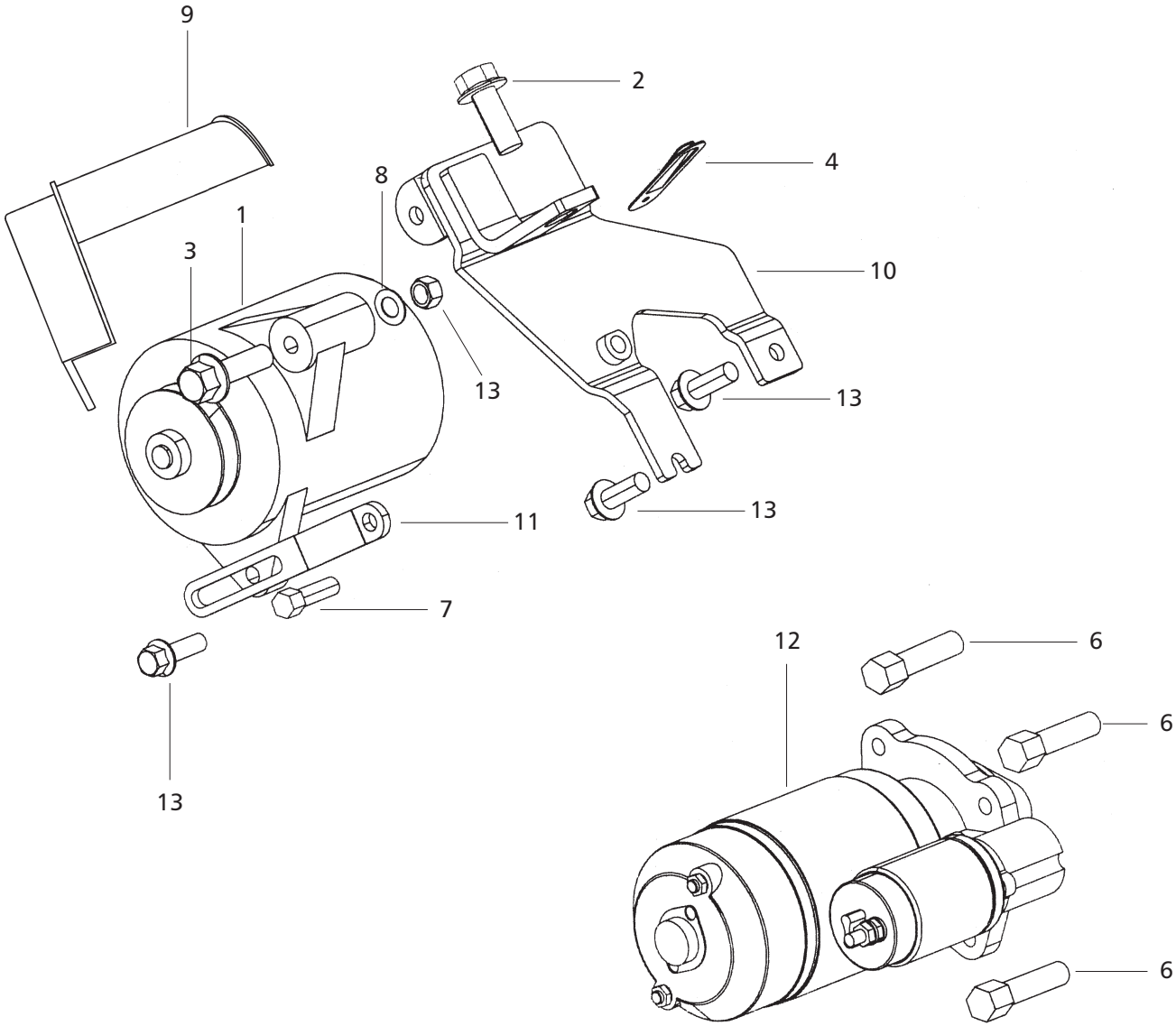
KPT 1134

Fuel Level Sensor and 7 Pole Socket

M&M Part Number	Ref.	Description of Part	Unit Quantity		Remarks / Service Bulletin No.
			6565 4WD	6565 2WD	
000013058P04	1	SWITCH Brake Light	1	1	
000060809M01	2	WASHER Spring Lock M4	2	2	
000060972M01	3	SCREW Philips Head M4 x 20	2	2	
007700813D91	4	SEVEN Pole Socket	1	1	
000020309E05	5	BOLT Flanged Hex. Head M8 x 1.25 x 25	2	2	
000012807P04	6	SCREW A M5 x 16 Pan Hd. Cross Recessed	6	6	
007700849D91	7	FLOAT Unit	1	1	
007700492D91	*	WIRING HARNESS Platform Rear 7520 SLPTO	1	1	
007700495D91	8	PUMP Scavenging Controller	1	1	
006003172B1	9	PRESSURE Switch	1	1	
Applicable from Tractor Cut Off Number					
6565 4WD		KPS 1337	6565 2WD		KPT 1134

* Parts Not Illustrated

Starter Motor and Alternator

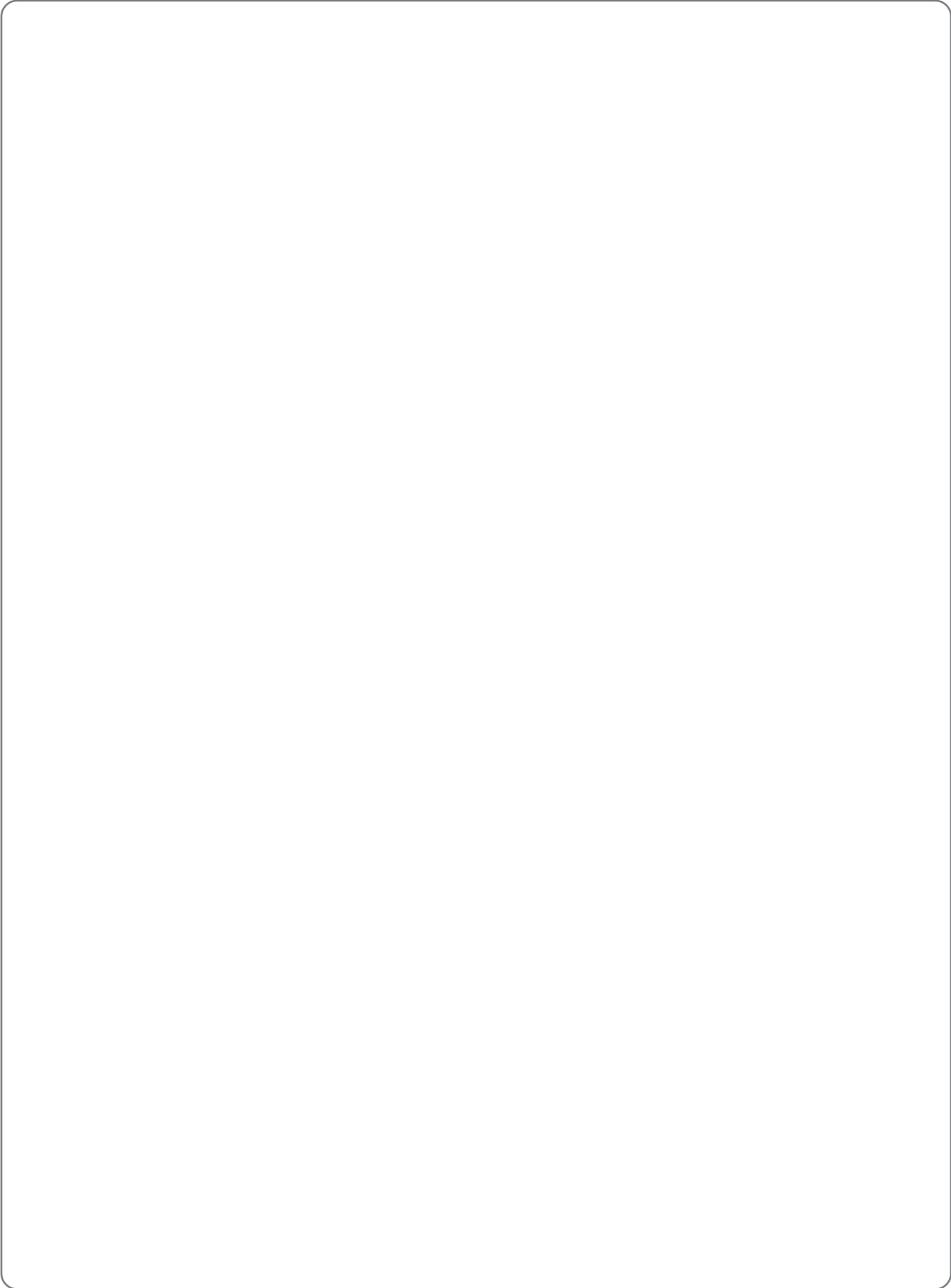


Starter Motor and Alternator

M&M Part Number	Ref.	Description of Part	Unit Quantity		Remarks / Service Bulletin No.
			6565 4WD	6565 2WD	
000013086P04	1	ALTERNATOR 45 Amp.	1	1	
000020313E05	2	BOLT Flanged Hex. Head M10 x 1.5 x 25	1	1	
000020314E05	3	BOLT Flanged Hex. Head M10 x 1.5 x 35	1	1	
000708117R2	4	CLIP CABLE	1	1	
005554365R1	5	NUT M10 x 1.5 PITCH	1	1	
000020324E05	6	BOLT M10 x 1.5 x 16 HEX	2	2	
000020586E05	7	BOLT HEX. M10 x 1.5 x 100	1	1	
000022079RD	8	WASHER PLAIN M 10	2	2	
000061374C08	9	GUARD Alternator	1	1	
006000184F1	10	BRACKET Alternator Mounting	1	1	
006000792F1	11	BRACKET Tensioner	1	1	
005558084R91	12	MOTOR Starter - LUCAS TVS 6M14	1	1	
000020313E05	13	BOLT Flanged Hex. Head M10 x 1.5 x 25	3	3	

WHEELS

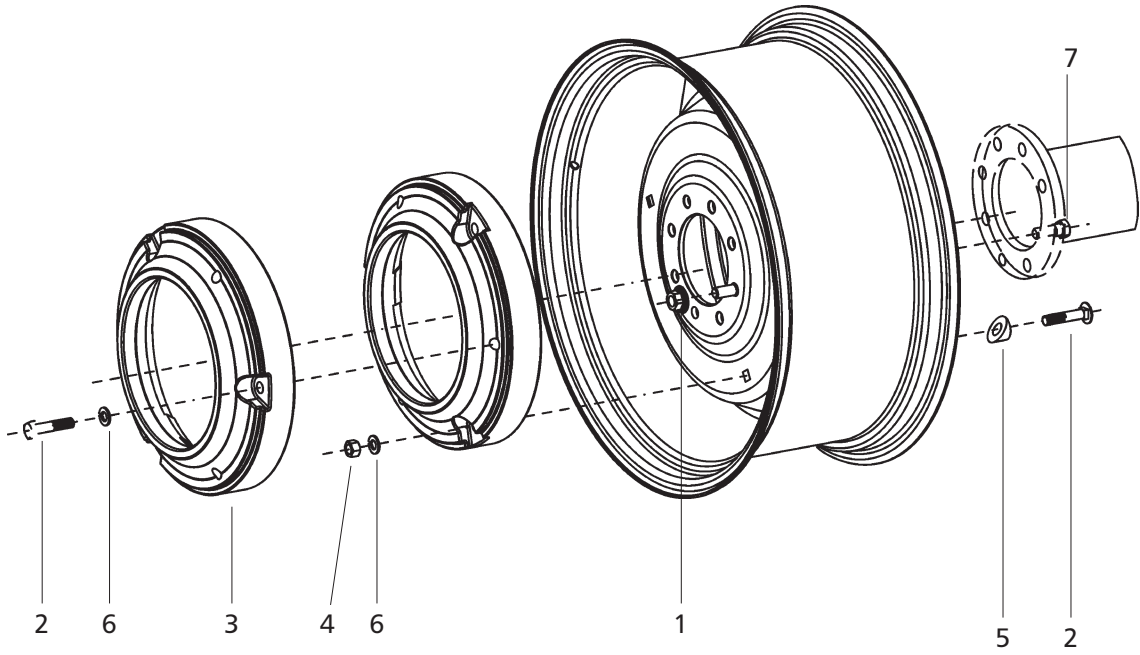
Front Wheel & Tire



Front Wheel & Tire

M&M Part Number	Ref.	Vendor Part No.	Description of Part	Unit Quantity		Remarks / Service Bulletin No.
				6565 4WD	6565 2WD	
-	1	TIT6565AGLF	FRONT LEFT AG WHEEL cpte. consists of	-	1	
-	a	41637100	▶ WHEEL 15 x 8 LB-6-6.00-4.625-0.62 OUTSET	-	1	
-	b	466343	▶ TIRE 9.5L x 15 6PRF-2M,TL	-	1	
-	c	1141700	▶ VALVE TR-415	-	1	
-	2	TIT6565AGLR	FRONT RIGHT AG wheel cpte. consists of	-	1	
-	a	41637100	▶ WHEEL 15 x 8 LB-6-6.00-4.625-0.62 OUTSET	-	1	
-	b	466343	▶ TIRE 9.5L x 15 6PRF-2M,TL	-	1	
-	c	1141700	▶ VALVE TR-415	-	1	
-	3	TIT6565FWDAGLF	FRONT LEFT AG wheel cpte. consists of :	1	-	
-	a	031973100	▶ WHEEL	1	-	
-	b	48D694	▶ TIRE (9.5 X 24)	1	-	
-	c	1141700	▶ VALVE	1	-	
-	4	TIT6565FWDAGRF	FRONT RIGHT AG wheel cpte. consists of :	1	-	
-	a	031973100	▶ WHEEL	1	-	
-	b	48D694	▶ TIRE (16.9 X 28)	1	-	
-	c	1141700	▶ VALVE	1	-	
-	5	TIT6565FWDINDLF	FRONT LEFT IND WHEEL cpte. consists of	1	-	
-	a	051656500	▶ WHEEL 12.5 x 80 x 18	1	-	
-	b	46W3J8	▶ TIRE	1	-	
-	c	1141700	▶ VALVE TR-415	1	-	
-	6	TIT6565FWDINDRF	FRONT RIGHT IND WHEEL cpte. consists of	1	-	
-	a	051656500	▶ WHEEL 15 x 8 LB-6-6.00-4.625-0.62 OUTSET	1	-	
-	b	46W3J8	▶ TIRE 9.5L x 15 6PRF-2M,TL	1	-	
-	c	1141700	▶ VALVE TR-415	1	-	
-		000041195C08	WHEEL Rim 5.5F x 16	-	2	
-		005554410R1	TIRE 7.5 x 16	-	2	
-		007500006C91	TUBE 7.5 x 16	-	2	

Rear Wheel, Tires, ROPS & SMV Kit

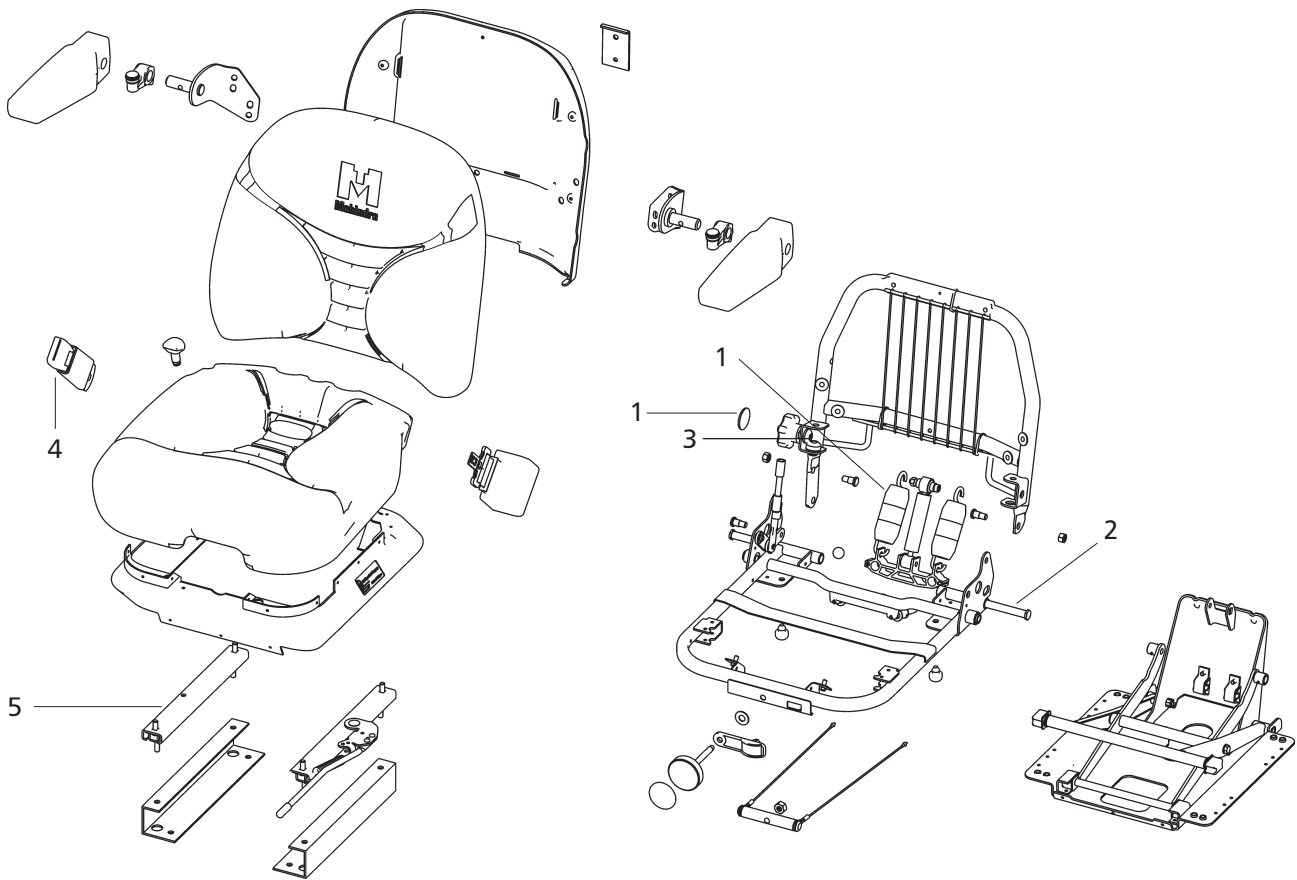


Rear Wheel, Tires, ROPS & SMV Kit

M&M Part Number	Ref.	Vendor Part No.	Description of Part	Unit Quantity		Remarks / Service Bulletin No.
				6565 4WD	6565 2WD	
007602309D91		—	REAR WHEEL WEIGHTS Kit Consists of			AA/15/2007
007600164D1	1	—	▶ NUT Flanged Rear Wheel Bolt M18x1.5-10	16	16	
000040341C08	2	—	▶ BOLT Hex head M16 x 85	12	12	
E007900072D1	3	—	▶ BALLAST WEIGHT Rear Wheel	4	4	
000012653P04	4	—	▶ NUT M16 x 2	6	6	
007900080D1	5	—	▶ SPACER Rear Wheel Weight Agri. 17 x 40	6	6	
005556521R1	6	—	▶ WASHER Spring Lock M16	12	12	
000013011P04	7	—	▶ BOLT Rear Wheel Hub	16	16	
—	8	TIT6565FWDAGLR	REAR LEFT AG WHEEL cpte. consists of :	1	1	
—	a	031984700	▶ WHEEL	1	1	
—	b	48D648	▶ TIRE (16.9 X 28)	1	1	
—	c	1141700	▶ VALVE	1	1	
—	9	TIT6565FWDAGRR	REAR RIGHT AG WHEEL cpte. consists of :	1	1	
—	a	031984700	▶ WHEEL	1	1	
—	b	48D648	▶ TIRE (16.9 X 28)	1	1	
—	c	1141700	▶ VALVE	1	1	
—	10	TIT5520FWDINDLR	REAR LEFT IND WHEEL cpte. consists of :	1	—	
—	a	031984800	▶ WHEEL 19.5L x 24	1	—	
—	b	486845	▶ TIRE	1	—	
—	c	1141700	▶ VALVE TR-415	1	—	
—	11	TIT5520FWDINDRR	REAR RIGHT IND WHEEL cpte. consists of :	1	—	
—	a	031984800	▶ WHEEL 19.5L x 24	1	—	
—	b	486845	▶ TIRE	1	—	
—	c	1141700	▶ VALVE TR-415	1	—	
—	12	301783472	ROPS FEMCO consists of :	1	1	
—	13	SMVPM10160	SMV Kit	1	1	
007604638D91			FRONT			
000017122P02			▶ WHEEL Rim & Dis Cpte	2	2	
000017123P02			▶ TIRE (9.5 x 24) Appollo	2	2	
			▶ TUBE (9.5 x 24) Appollo	2	2	
007537316C91			REAR			
005554410R1			▶ WHEEL Rim & Dis Cpte (W13 x 28)	2	2	
005555425R91			▶ TIRE (16.9 x 28)	2	2	
			▶ TUBE (16.9 x 28)	2	2	

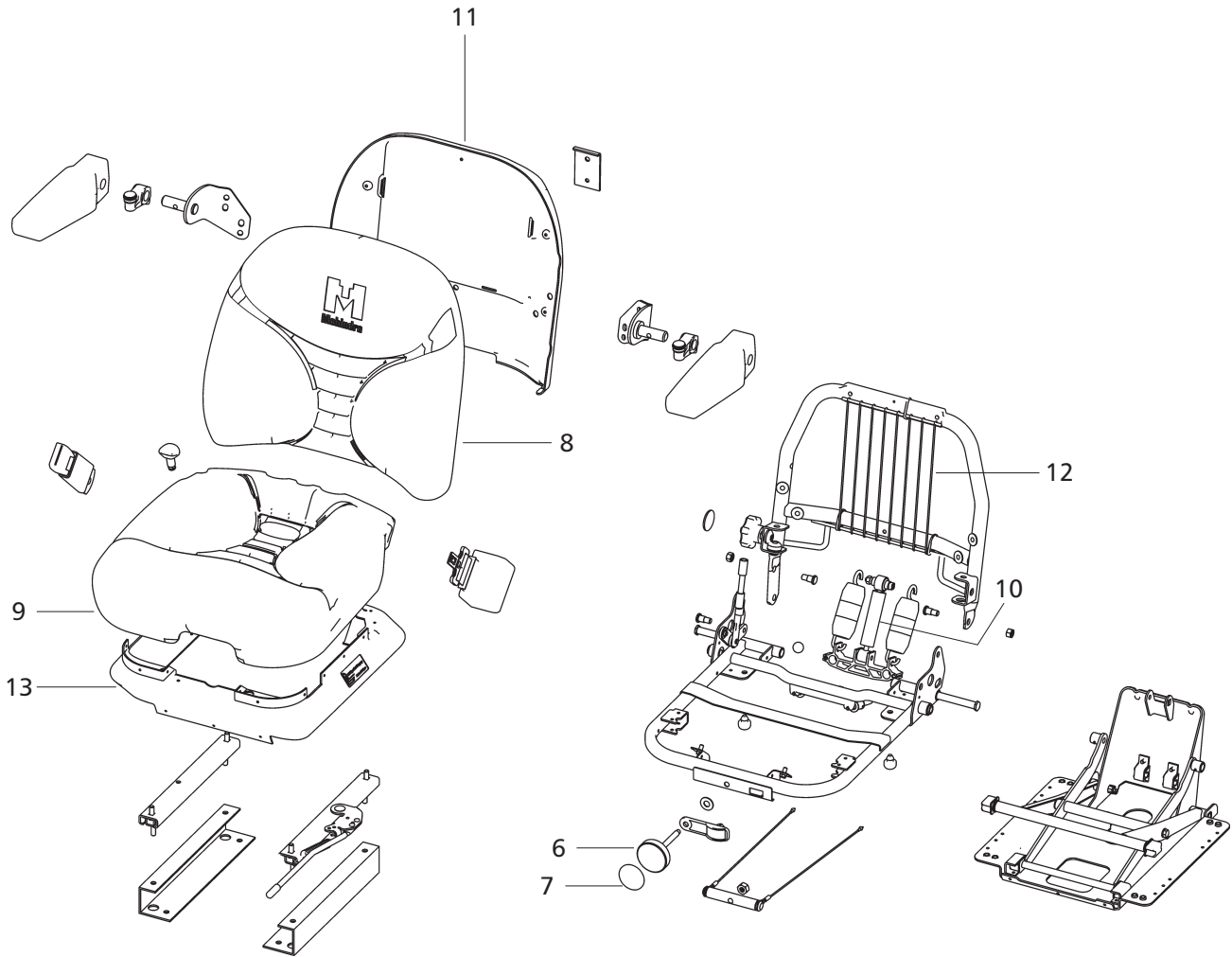
SEAT

Seat



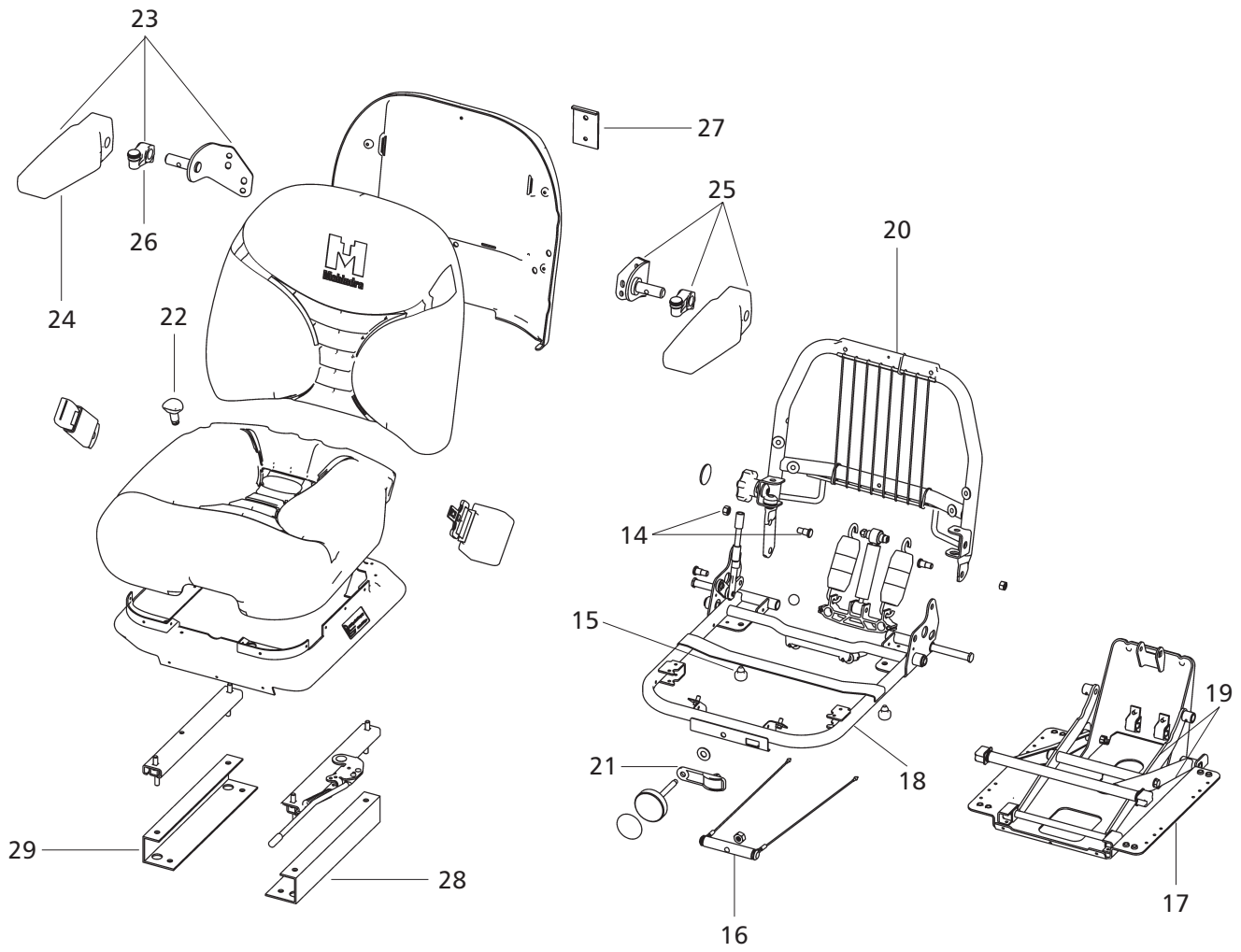
M&M Part Number	Ref.	Vendor Part No.	Description of Part	Unit Quantity		Remarks / Service Bulletin No.
				6565 4WD	6565 2WD	
—		007603373D91	SEAT Assy.	1	1	
—	1	16654s	▶ SPRING & SADDLE KIT	1	1	
—			▶ SPRING ARM	1	1	
—			▶ STRAP, PIVOT BLOCK	2	2	
—			▶ PIVOT BLOCK	2	2	
—			▶ TAPTITE 1/4-20 x 1/2	2	2	
—			▶ SPRING SADDLE	1	1	
—			▶ SADDLE BUSHING	2	2	
—			▶ SUSP. SPRING	2	2	
—			▶ SPRING ARM BEARING	1	1	
—			▶ SCREW #8-18 PH HD	2	2	
—	2	16074s	▶ SHAFT / BEARING KIT	1	1	
—			▶ BEARING	8	8	
—			▶ BEARING SHAFT	2	2	
—			▶ BEARING SHAFT	2	2	
—			▶ ROLL PIN	2	2	
—	3	16073s	▶ GEAR KIT	1	1	
—			▶ ADJUST BUSHING	2	2	
—			▶ GEAR BEVEL	1	1	
—			▶ NUT GEAR	1	1	
—			▶ WASHER THRUST	1	1	
—			▶ ADJUST SHAFT	1	1	
—			▶ PUSH NUT	1	1	
—			▶ RECLINER SCREW ASSY	1	1	
—	4	16241s	▶ SEAT BELT KIT	1	1	
—			▶ SEAT BELT	1	1	
—	5	16655s	▶ SLIDE KIT	1	1	
—			▶ ADJUSTER 11" HNDL, 6" TRVL	1	1	
—			▶ ADJUSTER (SLAVE) 6" TRVL	1	1	
—			▶ SPACER	4	4	
—			▶ TAPTITE 5/16-18 x .75"	4	4	

Seat



M&M Part Number	Ref.	Vendor Part No.	Description of Part	Unit Quantity		Remarks / Service Bulletin No.
				6565 4WD	6565 2WD	
—	6	16070s	▶ KNOB KIT	1	1	
—			▶ NUT HEX 5/16-18 (CTR LOCK)	1	1	
—			▶ KNOB WEIGHT ADJUST	1	1	
—			▶ LABEL WEIGHT ADJUST	1	1	
—			▶ KNOB ADJUST	2	2	
—			▶ NUT 1/4-20 FLANGE	2	2	
—			▶ LABEL LUMBAR	1	1	
—			▶ LABEL BACK ANGLE ADJUST	1	1	
—	7	13869s	▶ LABEL KIT	1	1	
—			▶ WEIGHT ADJ LABEL	1	1	
—			▶ LUMBAR ADJ LABEL	1	1	
—			▶ RECLINER LABEL	1	1	
—	8	16545s	▶ BACK CUSHION KIT	1	1	
—			▶ BACK CUSH TRIMMED, BLK.	1	1	
—			▶ CLIPS, XMAS	6	6	
—	9	15981s	▶ SEAT CUSHION KIT	1	1	
—			▶ SEAT CUSH ASSY, BLK.	1	1	
—			▶ TAPTITE 1/4-20 x 3/8"	2	2	
—	10	16656s	▶ SHOCK ABSORBER KIT	1	1	
—			▶ SHOCK ASBORBER	1	1	
—			▶ SHOCK PIN	1	1	
—			▶ SHOCK PIN	1	1	
—			▶ NUT HEX 5/16-18 (CTR LOCK)	2	2	
—	11	16567s	▶ BACK PANEL KIT	1	1	
—			▶ BACK PANEL	1	1	
—			▶ SCREW #8-18 PH HD	5	5	
—	12	90426s	▶ FLEXOLATOR KIT	1	1	
—			▶ FLEXOLATOR	1	1	
—			▶ TIE STRAP	3	3	
—	13	16253s	▶ BOOT KIT	1	1	
—			▶ BOOT	1	1	
—			▶ CLIP X-MAS	25	25	

Seat



M&M Part Number	Ref.	Vendor Part No.	Description of Part	Unit Quantity		Remarks / Service Bulletin No.
				6565 4WD	6565 2WD	
—	14	16067s	▶ PIVOT BOLT KIT	1	1	
—			▶ BOLT SHOULDER 3/8-16	3	3	
—			▶ NUT HEX 3/8-16 (CTR LOCK)	2	2	
—	15	16066s	▶ BUMPER KIT	1	1	
—			▶ RUBBER BUMPER	2	2	
—	16	16065s	▶ WEIGHT ADJUST KIT	1	1	
—			▶ WEIGHT ADJUST BAR	1	1	
—			▶ CABLE ASSY	2	2	
—			▶ NUT HEX 5/16-18 (CTR LOCK)	1	1	
—	17	16493s	▶ SUSP. BASE WELDMENT KIT	1	1	
—	18	16482s	▶ SEAT FRAME WELDMENT KIT	1	1	
—	19	16098s	▶ LINKAGE ASSY KIT	1	1	
—			▶ LINKAGE WELDMENT	1	1	
—			▶ LINKAGE WELDMENT, INSIDE	1	1	
—			▶ BEARING	10	10	
—			▶ LINKAGE SHAFT	1	1	
—			▶ TAPTITE 5/16-18	2	2	
—	20	15723s	▶ BACK FRAME WELDMENT KIT	1	1	
—	21	12540s	▶ WEIGHT IND ASSY KIT	1	1	
—	22	15809s	▶ WATER DRAIN KIT	1	1	
—	23	15978s	▶ ARMREST ASSY RH KIT	1	1	
—	24	15976s	▶ ARMREST, MOLDED KIT	1	1	
—	25	15979s	▶ ARMREST ASSY LH KIT	1	1	
—	26	16015s	▶ ARMREST STOP ASSY	1	1	
—	27	16555s	▶ SMV BRKT. KIT	1	1	
—			▶ SMV BRKT.	1	1	
—			▶ SCREW 5/16-18 x .50"	1	1	
—			▶ NUT HEX 5/16-18	4	4	
—			▶ SCREW 5/16-18 x .75"	1	1	
007601911D1	28	—	BRACKET Seat LH	1	1	
007601912D1	29	—	BRACKET Seat RH	1	1	

