

TABLE OF CONTENTS

[ENGINE]

EC1-G142001	OIL PAN GROUP	1
3C100LWU-E010	CYLINDER BLOCK GROUP	2
3C100A-E020	OIL PAN GROUP	4
3C100LW-E030	CYLINDER HEAD GROUP	5
EC1-G114004	GEAR CASE GROUP	6
3C100A-E050	MAIN BEARING CASE GROUP	8
3C100A-E080	VALVE ROCKER ARM GROUP	9
3C093LW-E090	CYLINDER HEAD COVER GROUP	10
3C100A-E100	CAMSHAFT GROUP	11
3C100LWU-E110	PISTON & CRANKSHAFT GROUP	12
EC1-G126002	FLYWHEEL GROUP	13
3C100LWU-E130	NOZZLE HOLDER GROUP	14
3C100LW-C-E140	FUEL CAMSHAFT GROUP	15
EC1-G153001	SPEED CONTROL LEVER GROUP	17
EC1-G154003	ENGINE STOP LEVER GROUP	19
3C100LF-E170	GROUP,GOVERNOR	21
EC1-G162001	WATER FLANGE GROUP	22
EC1-G164002	COOLING FAN GROUP	23
EC1-G131001	INTAKE MANIFOLD GROUP	24
EC1-G133002	EXHAUST MANIFOLD GROUP	25
EC1-G183002	EPA LABEL GROUP	26

[TRANSMISSION]

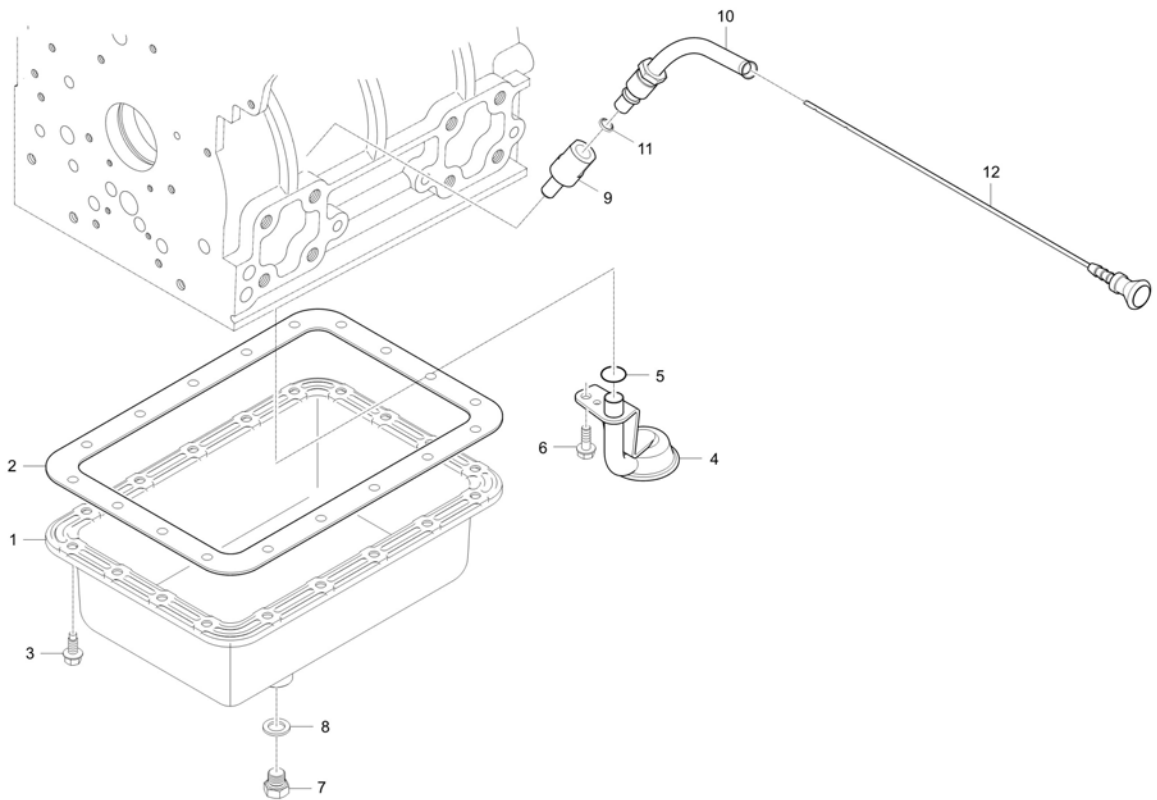
TB2-G2C4001	PTO SHAFT GROUP	27
T2555-G610	ASSY,HST GROUP	30
TB2-G224001	TRANSMISSION CASE GROUP	34
T2555-G225	HI-LOW GEAR GROUP	36
T2555-G230	BEVEL PINOIN GEAR GROUP	38
T2555-G240	RANGE FORK GROUP	39
T2555-G245	PTO FORK GROUP	40
T2555-G250	BRAKE GROUP	41
T2555-G255	REAR DIFF. LOCK GROUP	42
T2555-G260	REAR DIFFERENTIAL SYSTEM GROUP	43
T2555-G265	REAR AXLE GROUP	45
T2555-G270	4WD DRIVE GROUP	46

T2555-G350	MAIN SHAFT JOINT GROUP	47
T2555-G355	4WD JOINT GROUP	49
[FRONT AXLE]		
T2555-G310	FRONT AXLE SUPPORT GROUP	50
T2555-G315	BEVEL GEAR CASE GROUP	52
T2555-G320	FRONT AXLE CASE GROUP	53
T2555-G325	FRONT AXLE GROUP	54
T2555-G330	FRONT AXLE BRACKET GROUP	55
T2555-G335	STEERING CYLINDER GROUP	56
[HYDRAULIC]		
TB2-G412001	GEAR PUMP GROUP	57
TB2-G431002	FILTER AND PIPE GROUP	59
T2555-G615	POWER STEERING UNIT GROUP	62
T2555-G620	HYD.CYLINDER GROUP	63
T2555-G635	VALVE,CONTROLLERGROUP	66
[ELECTRICAL]		
TB2-G571206	BONNET ELECTRICAL SYSTEM GROUP	67
TB2-G575203	WIRE HARNESS GROUP	69
T2555-G762	LIGHT GROUP	70
T2555-G721	MISSION ELECTRICAL SYSTEM GROUP	71
TB2-G573102	BODY ELECTRICAL SYSTEM GROUP	72
[CHASSIS]		
TB2-G612001	MUFFLER GROUP	73
TB2-G612504	RADIATOR GROUP	74
TB2-G615505	BONNET GROUP(3C100)	78
TB2-G622005	MAIN FRAME GROUP	81
TB2-G624001	VIBRATIONPROOF RUBBER GROUP	84
TB2-G631003	ROPS BAR GROUP	86
TB2-G647502	HST PEDAL GROUP	89
TB2-G653003	STEERING COLUMN GROUP(3C100)	91
TB2-G655003	INSTRUMENT COVER GROUP	94
TB2-G671001	FUEL TANK GROUP	95
TB2-G685001	3 POINT LINK GROUP	97

TB3-G6G1101	SEAT GROUP(OPTION)	99
TB3-G611002	AIR CLEANER GROUP(3C100)	100
T2555-G360	WHEEL BOLT GROUP	102
T2555-G412	CONTROL LEVER, RH GROUP	103
T2555-G416	CONTROL LEVER, LH GROUP	106
T2555-G418	BRAKE PEDAL GROUP	108
T2555-G426	FENDER GROUP	110
T2555-G436	STEP GROUP	111
T2555-G446	HST PAN PROTECTION COVER GROUP	112
TB2-G6D5003	LABEL GROUP	113
TB2-G661002	SEAT GROUP	115
 [OPTION]		
TB2-G593101	REAR WORKING LAMP GROUP(OPTION)	116
TB2-G6G1401	TOWING HOOK GROUP(OPTION)	117
TB2-G6G3802	REAR VIEW MIRROR GROUP(OPTION)	118
T2555-G460	SUNSHADE GROUP	119
T2555-G499	OPTION GROUP	120
T2555-G670	FILTER GUARD	121
T2555-G680	TUBE.HYD	122
T2555-G685	TUBE.HYD	124
T2555-G690	VALVE, STOPPER	126
T2555-G741	CRUISE OPTION GROUP	127
T2555-G771	WORKING LAMP OPTION GROUP	128
T2558-G940	FRONT WEIGHT GROUP	129
 INDEX1		 130
INDEX2	137

EC1-G142001

OIL PAN GROUP



A : CS2210(WY8200001~)

No.	Part Number	Description	Qty					I.C	Remark
			A	B	C	D	E		
1	EC14-0012A	PAN, OIL	1						
2	E5700-01624	GASKET, OIL PAN	1						T2.0
3	E5700-91094	BOLT	18						
4	E5700-32112	FILTER1 OIL	1						
5	04811-00140	O RING	1						
6	01654-50820	BOLT, FLANGE WITH PIN	1						
7	E6303-33752	PLUG	1						-
8	E6303-33661	GASKET	1						2.0t
9	E5752-35692	GUIDE, OIL GAUGE	1						
10	E5752-36423	GUIDE PIPE, OIL GAUGE	1						
11	E7310-36431	PACKING	1						
12	E5752-36413	OIL GAUGE V	1						

----> Old replace New
 <----> Interchangeable

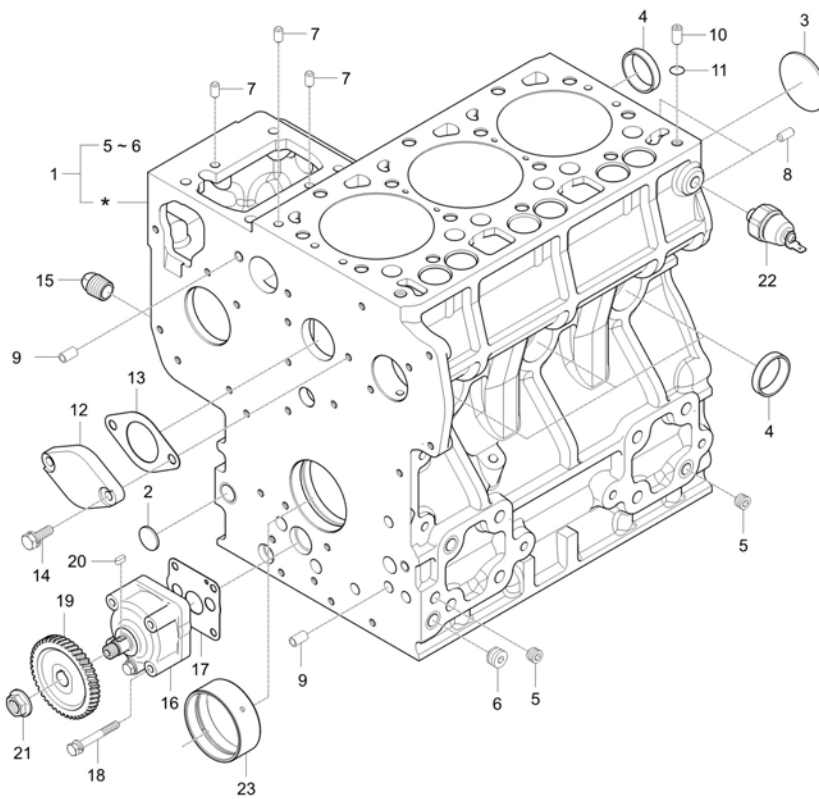
<---- New replace Old
 <-O-> Interchangeable with another part(s)

<-X-> Not interchangeable

* Please place an order assy(*)

3C100LWU-E010

CYLINDER BLOCK GROUP



A : CS2210(WY8200001~)

No.	Part Number	Description	Qty					I.C	Remark
			A	B	C	D	E		
1	EC11-A0016A	CYLINDER BLOCK ASSY v	1						
2	06311-75015	PLUG	3						T1.6*18*18
3	06311-75040	PLUG	1						
4	15321-9626-3	PLUG	6						T1.6*50*50
5	E5900-96022	PLUG	9						-
6	E5900-96032	PLUG	1						
7	05012-00609	PIN, PARALLEL	4						
8	05012-00814	PIN, PARALLEL	2						DIA10*20
9	E5205-33961	PIN, TUBE	2						DIA10*18
10	15221-3365-1	PIN, TUBE	1						DIA8*18
11	E5500-33702	O RING	1						
12	E5205-73912	COVER	1						T10*50*60
13	E5700-73922	GASKET	1						T0.5*65*49
14	01023-50618	BOLT w- WASHER	2						
15	EF15-0003A	PLUG	1						PT 1/4
16	E5700-35012	OIL PUMP ASSY	1						
17	E5700-35154	GASKET, OIL PUMP v	1						T0.3*65*54
18	E5205-91022	BOLT, WASHER	4						HEX10,M6*1.0

----> Old replace New
 <----> Interchangeable

<---- New replace Old
 <-O-> Interchangeable with another part(s)

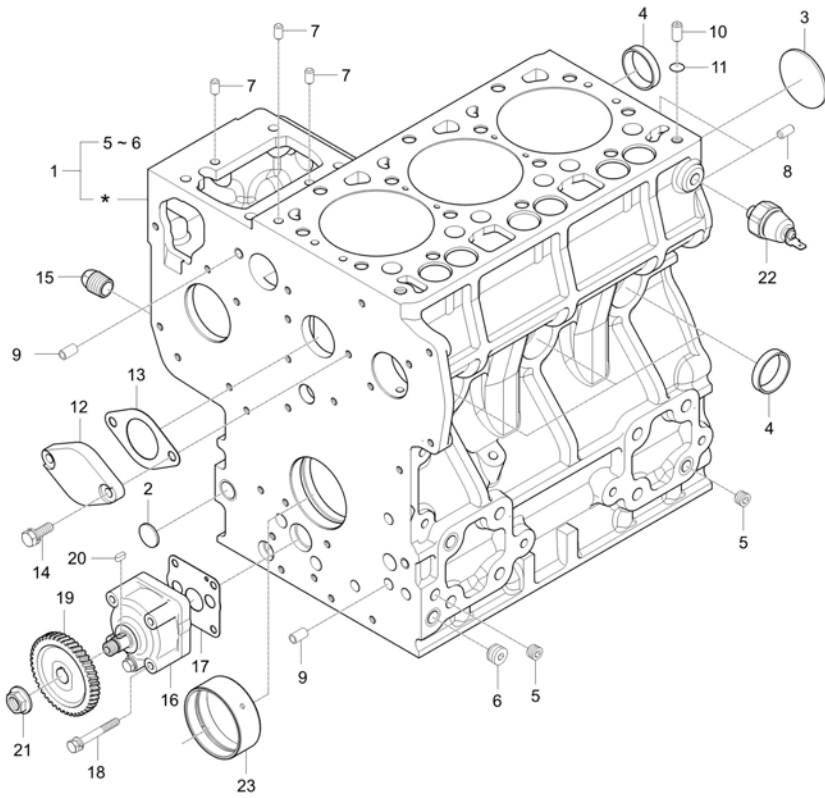
<-X-> Not interchangeable

* Please place an order assy(*)

ENGINE

3C100LWU-E010

CYLINDER BLOCK GROUP



A : CS2210(WY8200001~)

No.	Part Number	Description	Qty					I.C	Remark
			A	B	C	D	E		
19	E5700-35662	GEAR, OIL PUMP DRIVE	1						
20	05712-00408	KEY	1						5*5*12
21	E5753-35681	NUT, FLANGE	1						
22	E5500-39013	OIL SWITCH	1						
23	E5760-23471	METAL 1, CRANKSHAFT	1						

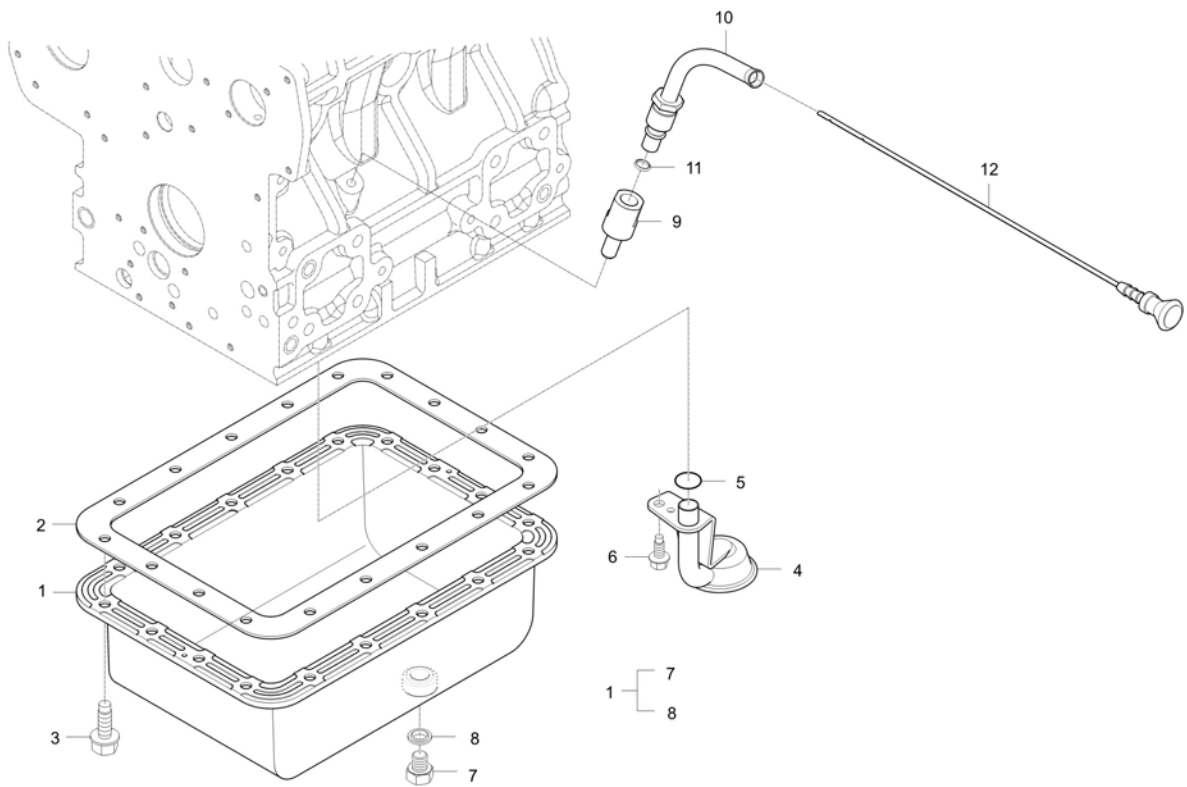
----> Old replace New
 <----> Interchangeable
 * Please place an order assy(*)

<---- New replace Old
 <-O-> Interchangeable with another part(s)

<-X-> Not interchangeable

3C100A-E020

OIL PAN GROUP



A : CS2210(WY8200001~)

No.	Part Number	Description	Qty					I.C	Remark
			A	B	C	D	E		
1	E5760-A0075	ASSY FAN,OIL	1						
2	E5700-01624	GASKET, OIL PAN	1						T2.0
3	E5700-91094	BOLT	18						
4	E5700-32112	FILTER1 OIL	1						
5	04811-00140	O RING	1						
6	01654-50820	BOLT, FLANGE WITH PIN	1						
7	E6303-33752	PLUG	1						-
8	E6303-33661	GASKET	1						2.0t
9	E5752-35692	GUIDE, OIL GAUGE	1						
10	E5752-36423	GUIDE PIPE, OIL GAUGE	1						
11	E7310-36431	PACKING	1						
12	E5752-36413	OIL GAUGE V	1						

----> Old replace New
 <----> Interchangeable

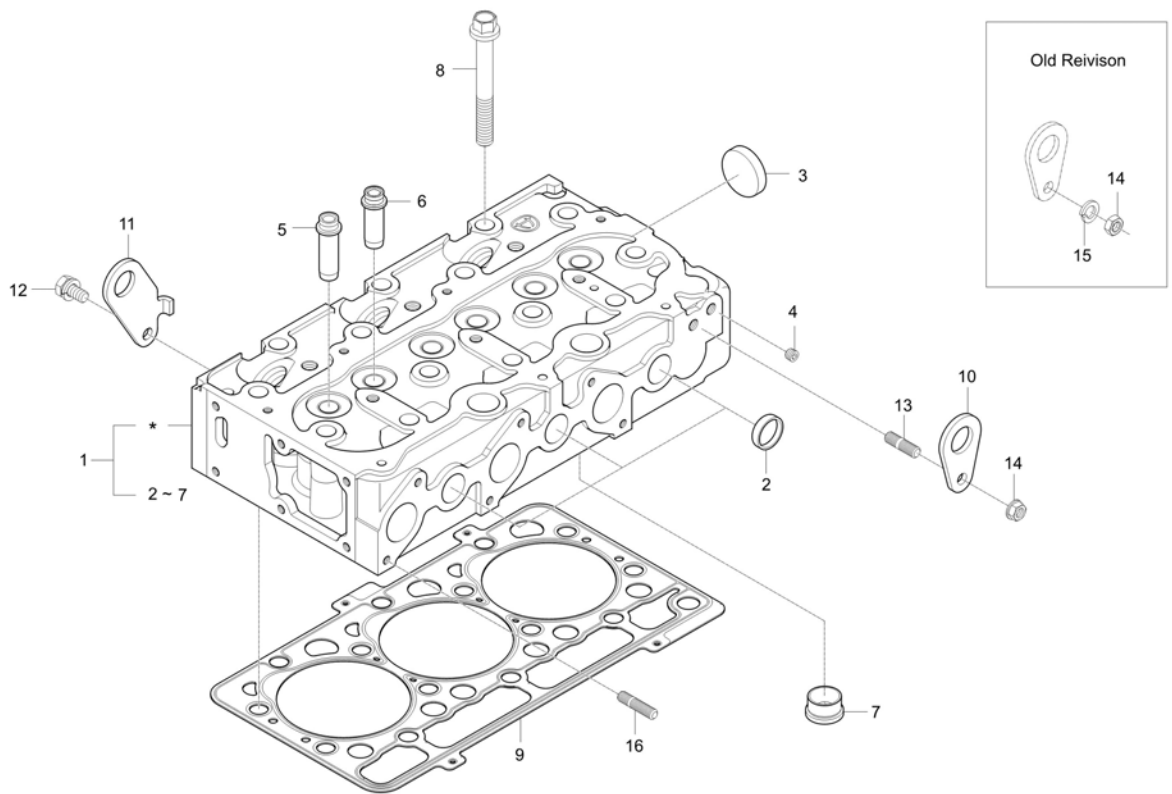
<---- New replace Old
 <-O-> Interchangeable with another part(s)

<-X-> Not interchangeable

* Please place an order assy(*)

3C100LW-E030

CYLINDER HEAD GROUP



A : CS2210(WY8200001~)

No.	Part Number	Description	Qty					I.C	Remark
			A	B	C	D	E		
1	E5763-A0304	TOTAL CYLINDER HEAD ASSY	1						
2	E5205-03371	CAP	5						T1.6*32*32
3	15321-9626-3	PLUG	1						T1.6*50*50
4	E5900-96022	PLUG	2						-
5	E5205-13542	GUIDE, INTAKE VALVE v	3						DIA12*10
6	E5205-13562	GUIDE, VALVE	3						DIA16*45
7	E5760-03141	HOT FLUG	3						
8	E5770-03451	BOLT, CYLINDER HEAD v	14						
9	E5760-03314	GASKET, HEAD v	1						
10	15221-0175-1	ENGINE HOOK	1						T4*40*64
11	E5760-01751	ENGINE HOOK	1						
12	01123-50816	Hex Head Cap Screw	1						M8XP1.25
13	01513-50822	STUD	1						M8*1.25
14	02763-50080	FLANGE NUT	1						M8XP1.25
15	04512-50080	SPRING WASHER	1						M08
16	01513-50620	STUD	6						

----> Old replace New
 <----> Interchangeable

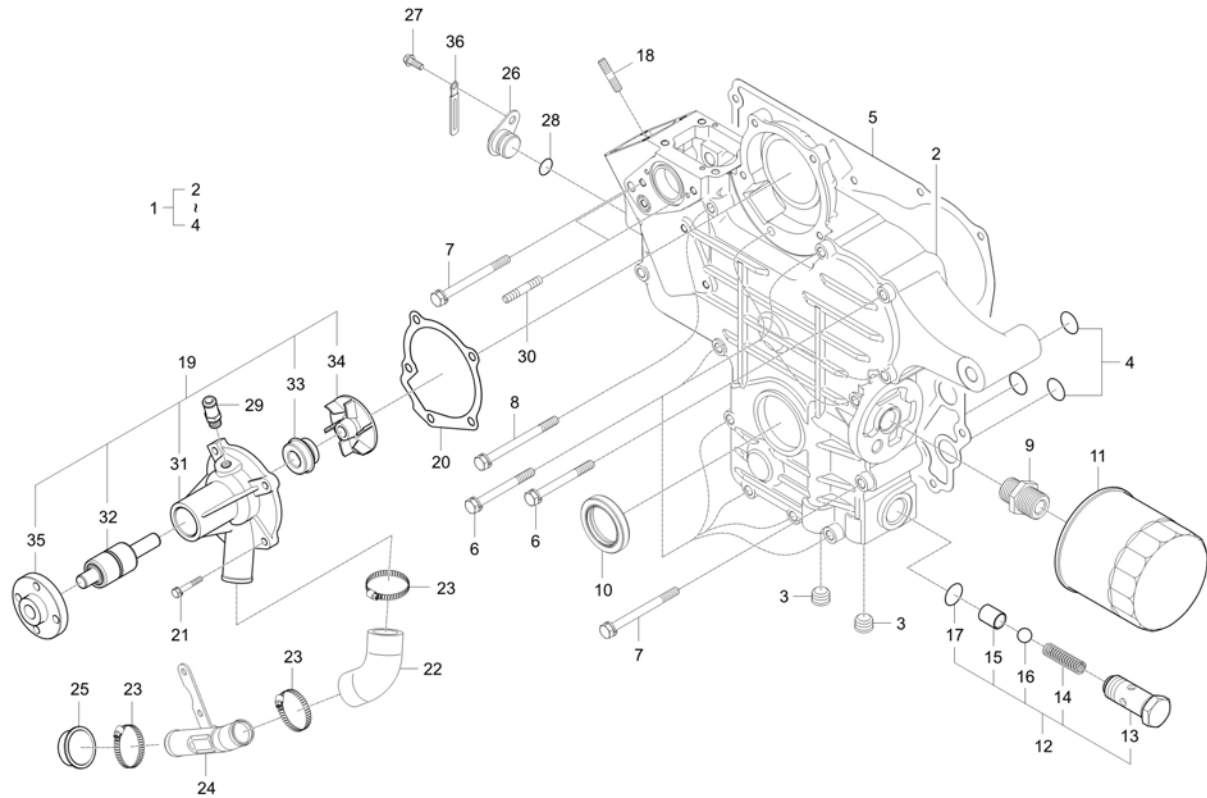
<---- New replace Old
 <-O-> Interchangeable with another part(s)

<-X-> Not interchangeable

* Please place an order assy(*)

EC1-G114004

GEAR CASE GROUP



A : CS2210(WY8200001~)

No.	Part Number	Description	Qty					I.C	Remark
			A	B	C	D	E		
1	EC11-0109A	ASSY CASE,GEAR	1						
2	EC11-0108A	GEAR CASE	1						
3	E5900-96032	PLUG	2						
4	04811-06130	O RING	3						
5	E5760-04132	GASKET, GEAR CASE v	1						
6	01023-50665	BOLT, WASHER	11						MEX10*76
7	01023-50670	BOLT, WASHER	2						MEX10*81
8	01023-50675	BOLT, WASHER	1						MEX10*86
9	E5205-32291	TUBE, CONNECTING	1						HEX24*39
10	09550-00008	SEAL, OIL	1						
11	E5205-32091	FILTER, OIL sp	1						
12	E5700-36071	RELIFE VALVE ASSY	1						
13	E5700-36911	BODY, RELIEF VALVE v	1						
14	15241-3695-2	SPRING	1						DIA1.2
15	E5700-36932	SEAT, VALVE	1						DIA16*21
16	07715-03213	STEEL BALL	1						13/32"(10.3188)
17	04810-00150	O RING	1						
18	01513-50618	STUD	1						M6*1.0

----- Old replace New
 <----- Interchangeable

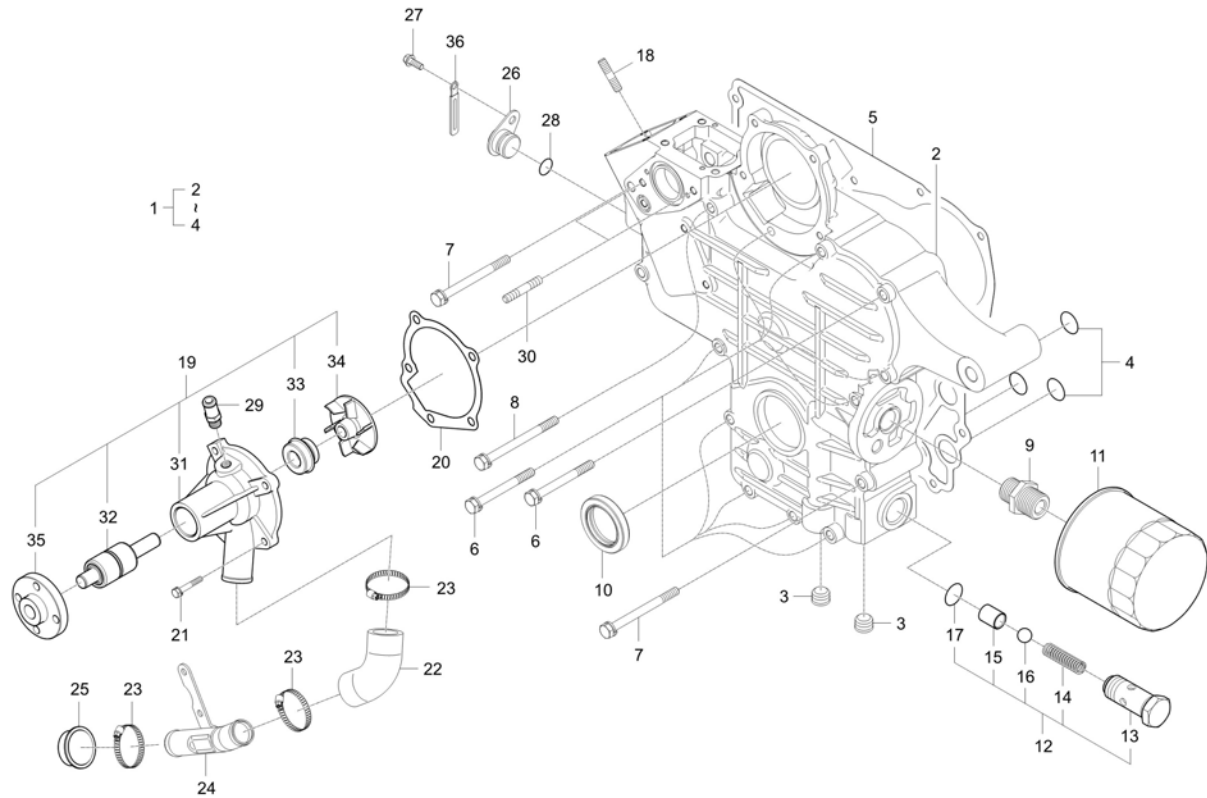
<---- New replace Old
 <-O-> Interchangeable with another part(s)

<-X-> Not interchangeable

* Please place an order assy(*)

EC1-G114004

GEAR CASE GROUP



A : CS2210(WY8200001~)

No.	Part Number	Description	Qty					I.C	Remark
			A	B	C	D	E		
19	E5760-73033	WATER PUMP ASSY v	1						
20	E5760-73432	GASKET, WATER PUMP	1						t0.5
21	01023-50625	BOLT WASHER v	4						M6XP1.0
22	E5205-72952	HOSE 3, COOLING WATER v	1						
23	E5752-18172	CLAMP, STAINLESS HOSE	3						
24	E5760-72873	HOSE, REFRIGERANT	1						
25	E5700-74213	COVER,WATER HOSE	1						
26	E5806-04151	COVER	1						t=1.5
27	01754-50610	BOLT, FLANGE	1						M6XP1.0
28	04811-00160	O RING	1						DIA15.8
29	E5700-73343	HOSE, COOLING WATER RETURN dnr v	1						DIA12*31
30	01513-50614	STUD	2						
31	E5760-73043	BODY, WATER PUMP	1						
32	E5760-73551	BEARING	1						
33	E5800-73052	MECHANICAL SEAL ASSY v	1						
34	E5760-73512	IMPELLER	1						
35	E5205-73524	FLANGE	1						N
36	37150-3447-1	WIR'G CLAMP	1						T0.5

----> Old replace New
 <----> Interchangeable

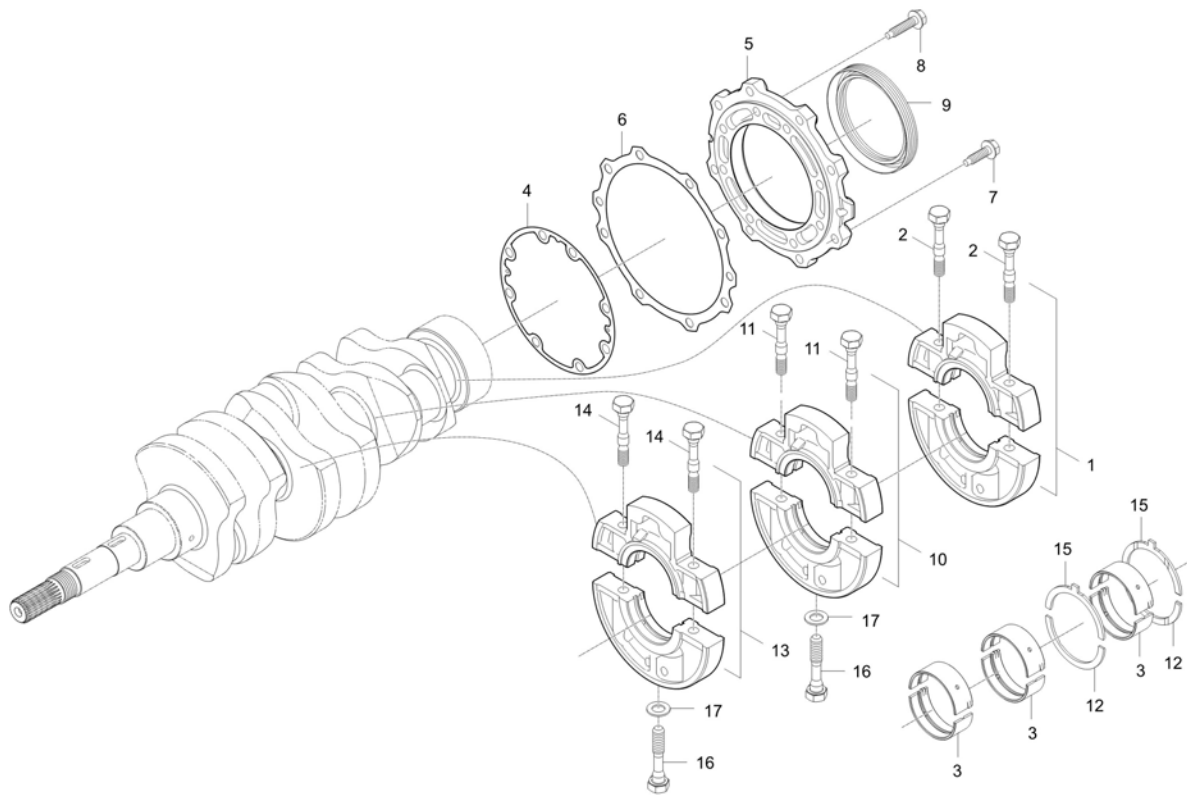
<---- New replace Old
 <-O-> Interchangeable with another part(s)

<-X-> Not interchangeable

* Please place an order assy(*)

3C100A-E050

MAIN BEARING CASE GROUP



A : CS2210(WY8200001~)

No.	Part Number	Description	Qty					I.C	Remark
			A	B	C	D	E		
1	E5760-04043	BEARING CASE ASSY	1						
2	E5761-04541	BOLT 1, BEARING CASE	2						
3	E5760-23481	METAL 2, CRANKSHAFT	6						
4	E5760-04361	GASKET, BEARING CASE	1						
5	E5760-04811	COVER, BEARING CASE	1						
6	E5760-04822	GASKET, COVER	1						
7	01754-50825	BOLT, FLANGE	8						M8XP1.25
8	01754-50822	BOLT, FLANGE	9						
9	E5760-04461	SEAL, OIL	1						
10	E5760-04053	MAIN BEARING CASE ASSY, 1	1						
11	E5761-04541	BOLT 1, BEARING CASE	2						
12	E5760-23531	SIDE METAL, 1	2						
13	E5760-04063	MAIN BEARING CASE ASSY, 2	1						
14	E5761-04541	BOLT 1, BEARING CASE	2						
15	E5760-23541	SIDE METAL, 2	2						
16	E5205-04561	BOLT 2, BEARING CASE	2						HEX13M8*1.25
17	04014-50080	WASHER, PLAIN	2						

----> Old replace New
 <----> Interchangeable

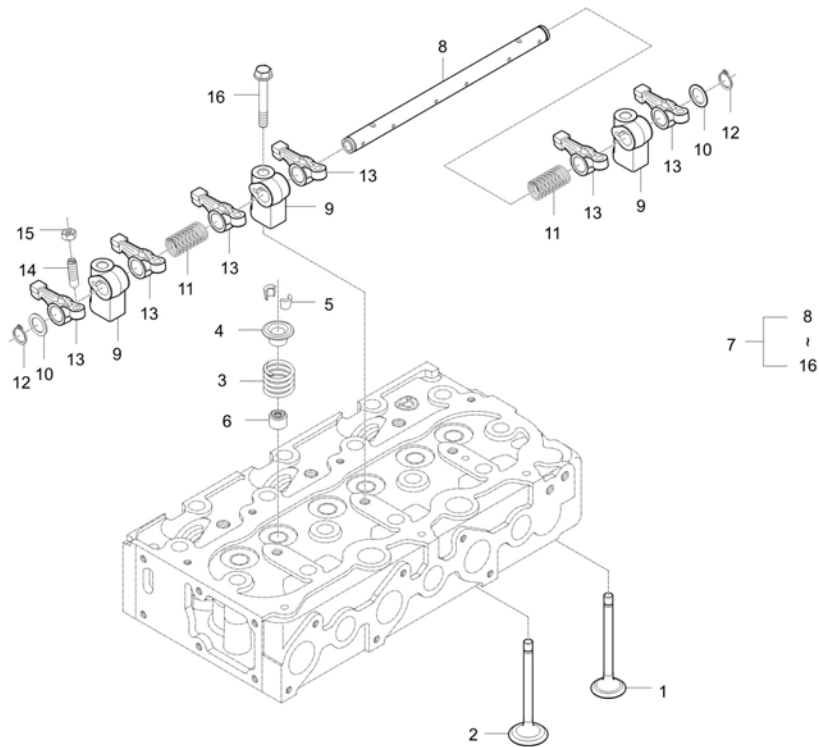
<---- New replace Old
 <-O-> Interchangeable with another part(s)

<-X-> Not interchangeable

* Please place an order assy(*)

3C100A-E080

VALVE ROCKER ARM GROUP



A : CS2210(WY8200001~)

No.	Part Number	Description	Qty					I.C	Remark
			A	B	C	D	E		
1	E5760-13111	VALVE, INTAKE	3						
2	E5760-13121	EXHAUST VALVE	3						
3	E5205-13241	SPRING, VALVE	6						DIA29
4	E5700-13332	RETAINER, VALVE SPRING	6						
5	E5763-13361	COLLET, VALVE SPRING v	12						KK7(독일 TRW)
6	E5205-13152	SEAL, VALVE STEM	6						
7	E5753-14001	ROCKER ARM TOTAL ASSY	1						
8	E5753-14051	ROCKER ARM SHAFT ASSY	1						
9	E5753-14351	SUPPORT, ROCKER ARM v	3						
10	E5753-14431	WASHER, PLAIN	2						
11	E5753-14311	SPRING, ROCKER ARM	2						
12	04612-00130	SNAP RING	2						
13	E5753-14111	ARM, ROCKER	6						
14	E5700-14232	SCREW, ADJUSTING	6						
15	E5205-14241	NUT, ADJUSTING dnr v	6						HEX10*9
16	E5752-91502	BOLT, ROCKER ARM SUPPORT	3						

----> Old replace New
 <----> Interchangeable

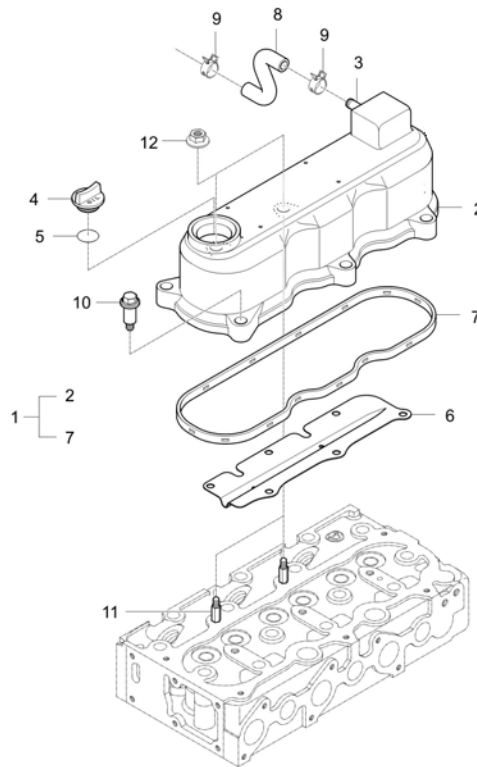
<---- New replace Old
 <-O-> Interchangeable with another part(s)

<-X-> Not interchangeable

* Please place an order assy(*)

3C093LW-E090

CYLINDER HEAD COVER GROUP



A : CS2210(WY8200001~)

No.	Part Number	Description	Qty					I.C	Remark
			A	B	C	D	E		
1	E5770-14502	CYLINDER HEAD COVER ASSY	1						
2	E5760-14511	COVER, CYLINDER HEAD v	1						
3	E6510-05552	CONNECTOR, AIR BREATHER HOSE	1						N
4	E5500-33142	PLUG, OIL FILLER	1						
5	04811-50300	O RING v	1						G30
6	E5752-14562	PLATE, OIL PROTECTING	1						T1.0
7	E5752-14522	GASKET, CYLINDER HEAD COVER v	1						
8	E6510-05511	HOSE, AIR BREATHER v	1						
8	EC11-0112A	HOSE, AIR BREATHER	1						<--O-->
9	09318-88180	CLAMP, HOSE	2						
10	E6510-33661	BOLT, CYLINDER HEAD COVER v	5						
11	E5500-33672	STUD, CYLINDER HEAD COVER	2						
12	E5500-35681	NUT, FLANGE	2						HEX10,M6*1.0

----> Old replace New
 <----> Interchangeable

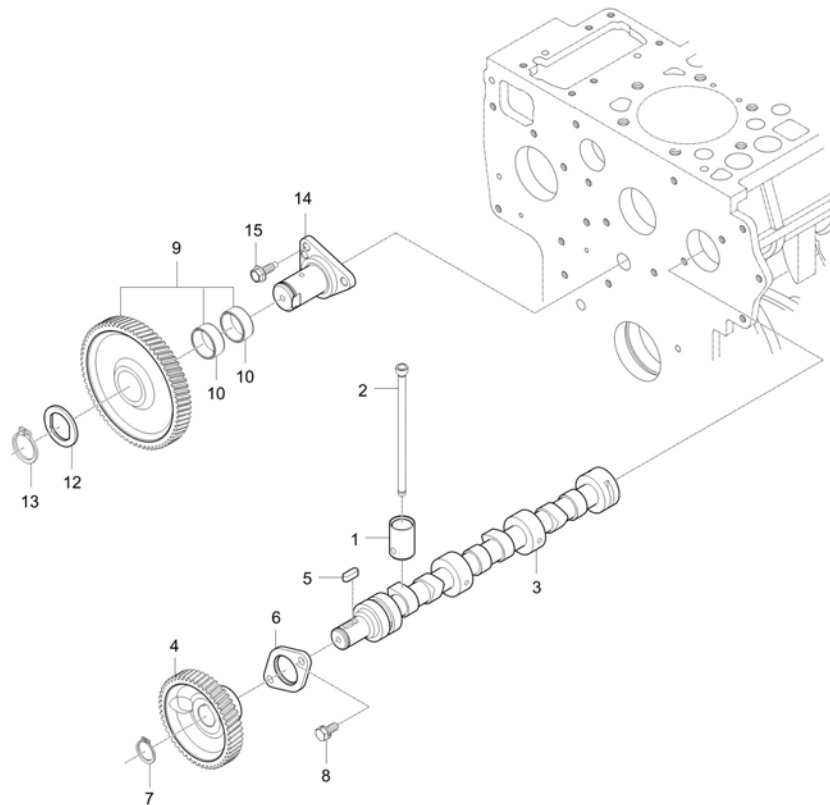
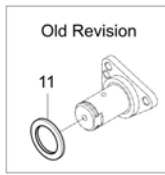
<---- New replace Old
 <-O-> Interchangeable with another part(s)

<-X-> Not interchangeable

* Please place an order assy(*)

3C100A-E100

CAMSHAFT GROUP



A : CS2210(WY8200001~)

No.	Part Number	Description	Qty					I.C	Remark
			A	B	C	D	E		
1	E5700-15552	TAPPET	6						DIA133*35
2	EC12-0009A	ROD, PUSH	6						
3	E5760-16011	CAMSHAFT ASSY	1						
4	E5205-16511	GEAR, CAMSHAFT	1						
5	05712-00515	KEY	1						
6	E5205-16272	STOPPER, CAMSHAFT	1						T4
7	04612-00180	SNAP RING	1						
8	01023-50614	BOLT, WASHER	2						M6P1.0
9	E5205-24012	IDLE GEAR ASSY	1						
10	E5205-24281	BUSH, IDLE GEAR v dnr	2						
11	E5205-24361	COLLAR, 1	1						T2.5
12	E5205-24371	COLLAR, 2	1						T2.5
13	E5205-24321	SNAP RING	1						T2
14	E5700-24253	SHAFT, IDLE GEAR	1						
15	01654-50618	BOLT, FLANGE WITH PIN	3						

----> Old replace New
 <----> Interchangeable

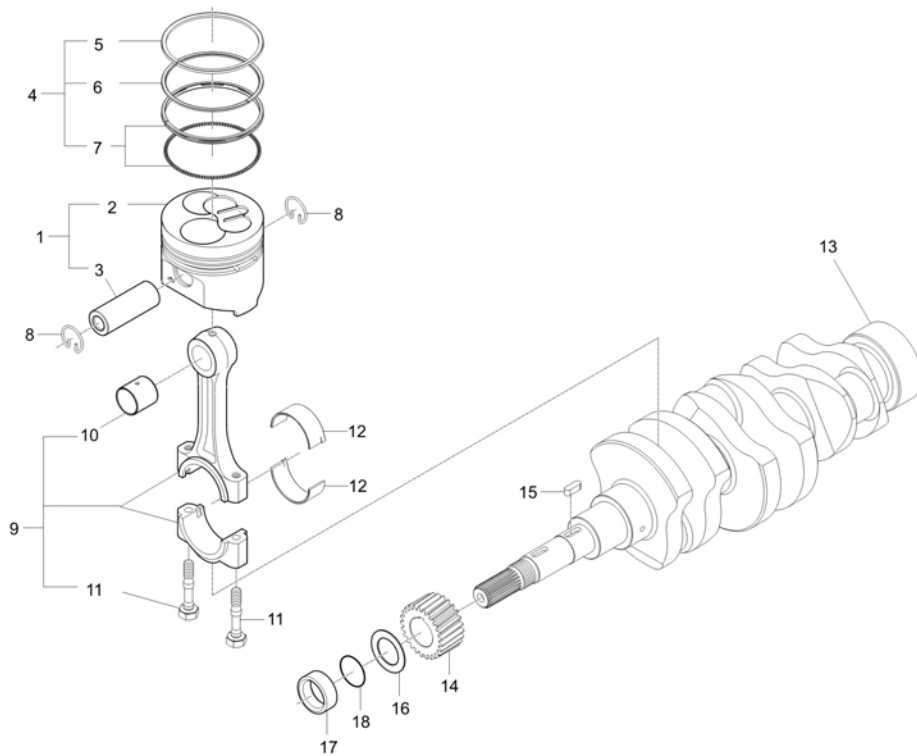
<---- New replace Old
 <-O-> Interchangeable with another part(s)

<-X-> Not interchangeable

* Please place an order assy(*)

3C100LWU-E110

PISTON & CRANKSHAFT GROUP



A : CS2210(WY8200001~)

No.	Part Number	Description	Qty					I.C	Remark
			A	B	C	D	E		
1	E5760-21011	PISTON PIN ASSY	3						
2	E5760-21111	PISTON dnr v	1						
3	E5760-21311	PIN, PISTON	3						
4	E5760-21051	PISTON RING ASSY v	3						
5	E5760-21001	PISTON RING, 1	3						Ø75
6	E5700-21106	2ND PISTON RING	3						
7	E5760-21151	OIL RING ASSY	3						
8	E5205-21331	SNAP RING	6						DIA1.6
9	E5760-22016	CONNECTOR ROD ASSY v	3						
10	E5205-21355	BUSH, PISTON PIN	1						
11	E5760-22144	BOLT, CONNECTING ROD	2						
12	E5760-22311	METAL, CRANK PIN	6						
13	E5760-23012	CRANKSHAFT ASSY	1						
14	E5205-24112	GEAR, CRANKSHAFT	1						
15	05712-00515	KEY	1						
16	E5205-23311	SLINGER, OIL	1						T1.0*37*37
17	E5700-23252	SPACER v	1						
18	04811-10220	O RING	1						

----- Old replace New
 <----- Interchangeable

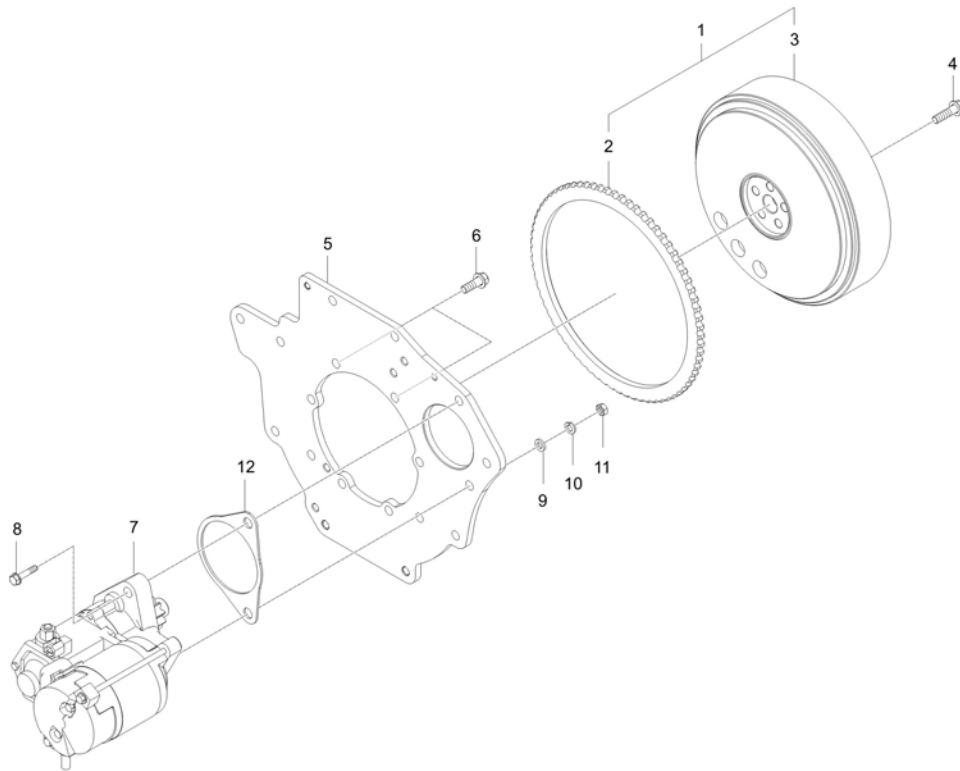
<---- New replace Old
 <-O-> Interchangeable with another part(s)

<-X-> Not interchangeable

* Please place an order assy(*)

EC1-G126002

FLYWHEEL GROUP



A : CS2210(WY8200001~)

No.	Part Number	Description	Qty					I.C	Remark
			A	B	C	D	E		
1	EC12-0005B	ASSY FLYWHEEL	1						
2	E5250-63821	RING GEAR	1						
3	EC12-0006B	FLYWHEEL	1						-
4	E5743-25161	BOLT, FLYWHEEL	5						
5	EC11-0101B	PLATE, ENGINE	1						t=8
6	E5752-91141	BOLT, FLANGE WITH PIN	8						M10*1.25
7	EC19-0005A	ASSY MOTOR, STARTER-1.4KW	1						
8	01133-51045	BOLT	2						
9	04014-50100	PLAIN WASHER	2						M10
10	04512-50100	SPRING WASHER	2						M10
11	02176-50100	NUT v	2						M10XP1.25
12	TB25-0039A	COLLAR	1						

----> Old replace New
 <----> Interchangeable

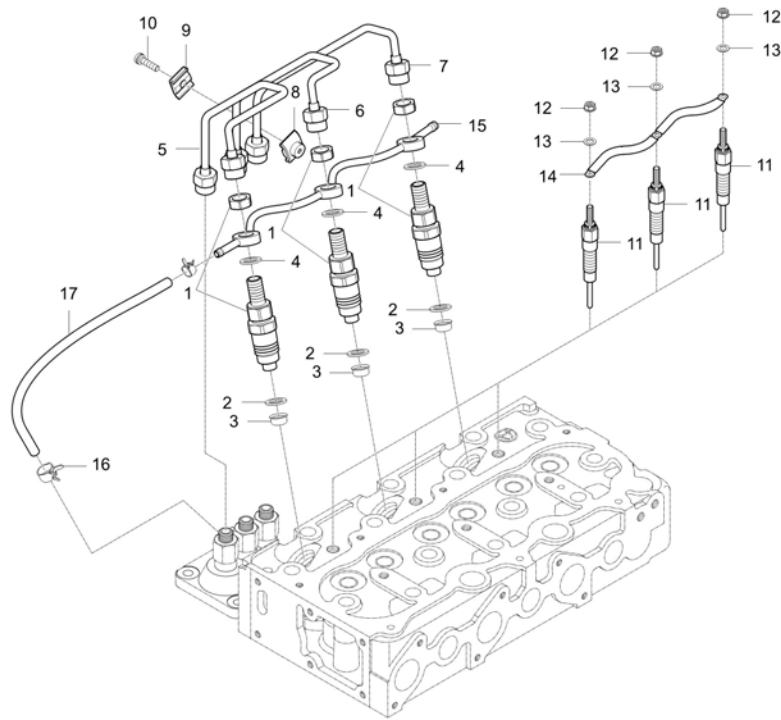
<---- New replace Old
 <-O-> Interchangeable with another part(s)

<-X-> Not interchangeable

* Please place an order assy(*)

3C100LWU-E130

NOZZLE HOLDER GROUP



A : CS2210(WY8200001~)

No.	Part Number	Description	Qty					I.C	Remark
			A	B	C	D	E		
1	E5760-53001	ASSY HOLDER,NOZZLE 1	3						
2	E6300-53021	GASKET	3						
3	E6300-53651	SEAL, HEAT SHIELD	3						T0.8
4	E6300-53621	GASKET	3						
5	E5775-53712	TUBE 1, INJECTION	1						
6	E5775-53722	TUBE 2, INJECTION	1						
7	E5775-53732	TUBE 3, INJECTION	1						
8	15121-5385-2	CLAMP 1, TUBE dnr v	2						-
9	T4815-67371	HOLDER, TUBE	2						-
10	03024-50520	SCREW, WASHER	2						DIA10*28
11	E5760-65511	GLOW PLUG	3						
12	02761-50040	NUT, FLANGE	3						
13	04012-50050	WASHER, PLAIN	3						M5
14	E5760-65562	CORD, GLOW PLUG	1						
15	E5760-42503	OVERFLOW HOSE ASSY	1						
16	09318-88080	CLMAP, HOSE	2						
17	09661-40200	HOSE, FUELv	1						

----> Old replace New
 <----> Interchangeable

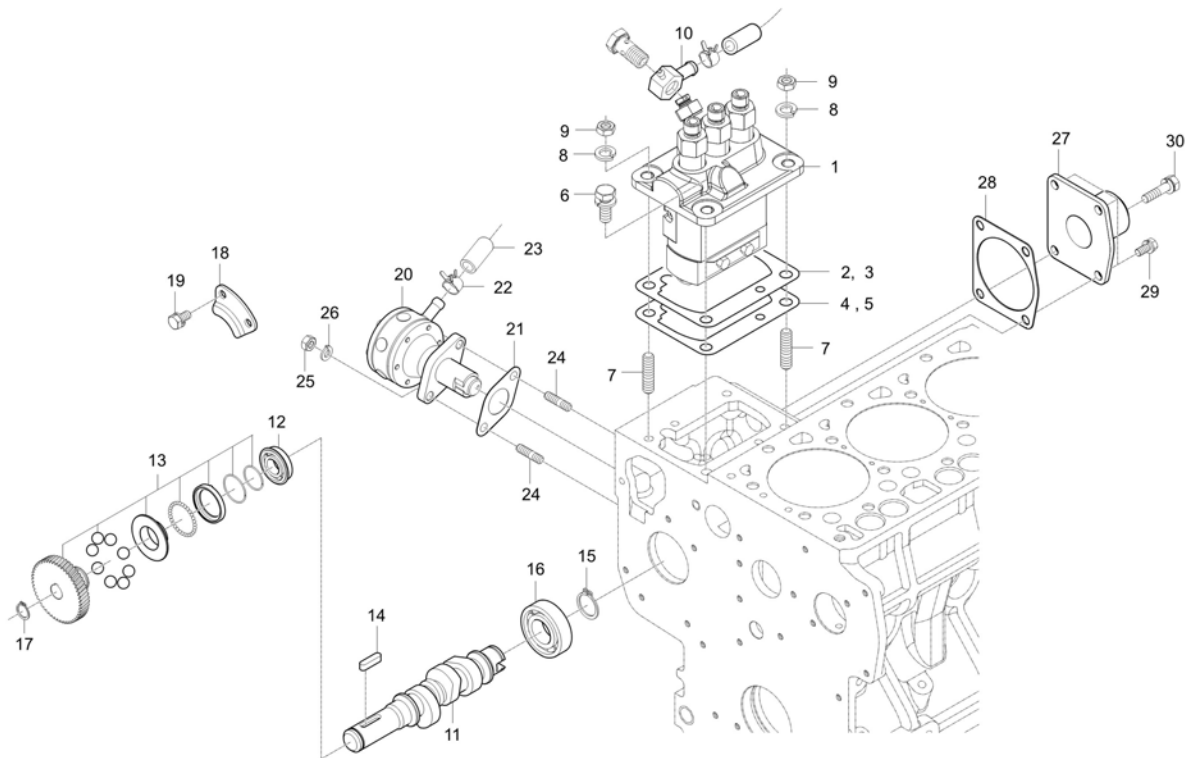
<---- New replace Old
 <-O-> Interchangeable with another part(s)

<-X-> Not interchangeable

* Please place an order assy(*)

3C100LW-C-E140

FUEL CAMSHAFT GROUP



A : CS2210(WY8200001~)

No.	Part Number	Description	Qty					I.C	Remark
			A	B	C	D	E		
1	E5763-51011	INJECTION PUMP	1						
2	E5500-52112	SHIM, INJECTION PUMP	2						T0.15*80*10 3
3	E5500-52122	SHIM, INJECTION PUMP dnr v	2						T0.3
4	15321-5216-1	SHIM, INJECTION PUMP 10	1						T1.0
5	E5800-52111	SHIM 3, INJECTION PUMP v	2						
6	01123-50818	BOLT, WASHER	2						M8*P1.25
7	01513-50822	STUD	2						M8*1.25
8	04512-50080	SPRING WASHER	2						M08
9	02156-50080	NUT v	2						M8XP1.25
10	E6500-42414	JOINT, FUEL PIPE	1						
11	E5760-16171	FUEL CAMSHAFT v	1						
12	08153-06004	BALL BEARING	1						#6004
13	E5700-A0022	GOVERNOR SLEEVE ASSY v	1						
14	05712-00520	KEY, ROUND	1						W5XL20
15	04612-00180	SNAP RING	1						
16	08103-06004	BALL BEARING	1						#6004
17	04612-00190	SNAP RING	1						
18	E5205-16321	STOPPER, FUEL CAMSHAFT	1						T2.3*46*40

----> Old replace New
<----> Interchangeable

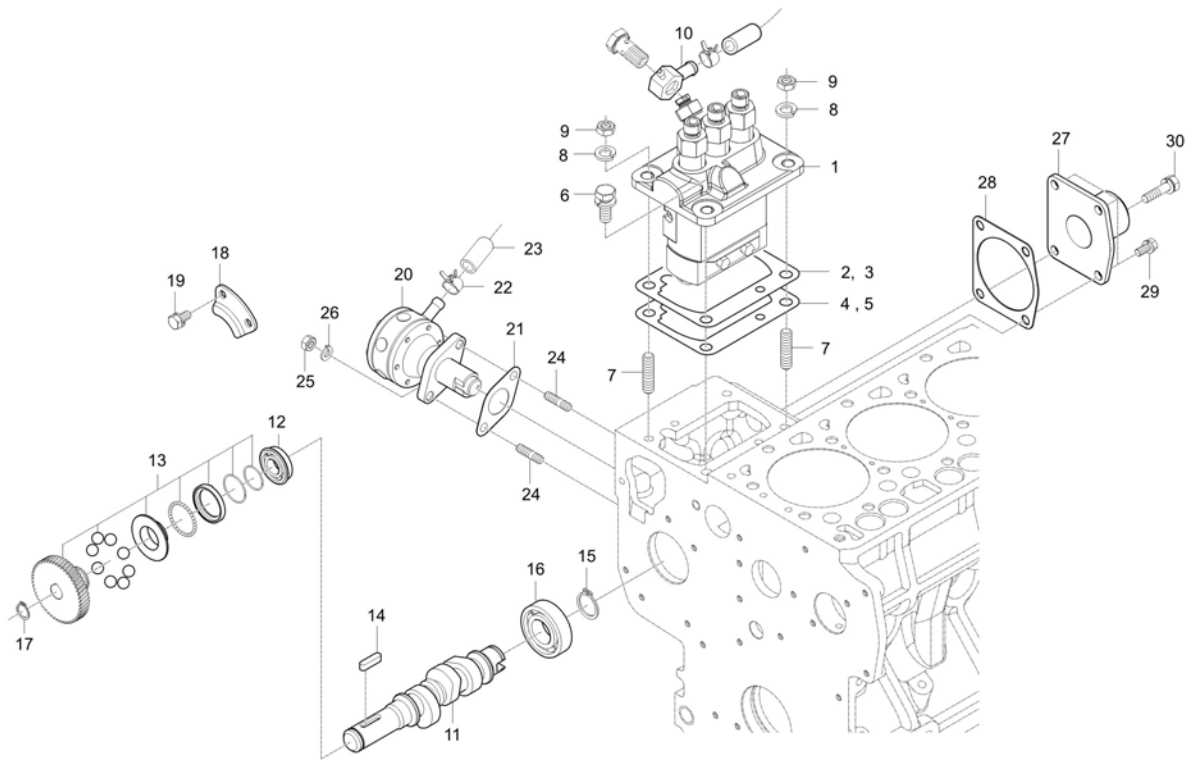
<---- New replace Old
<-O-> Interchangeable with another part(s)

<-X-> Not interchangeable

* Please place an order assy(*)

3C100LW-C-E140

FUEL CAMSHAFT GROUP



A : CS2210(WY8200001~)

No.	Part Number	Description	Qty					I.C	Remark
			A	B	C	D	E		
19	01023-50612	BOLT, WASHER v	2						M6*P1.0
20	E5775-52031	FUEL PUMP ASSY	1						
20	E5775-52032	FUEL PUMP ASSY	1					<----->	
21	E6200-52142	GASKET, FUEL PUMP	1						t0.5
22	14911-4275-1	CLIP, TUBE	2						T0.8*#12
23	15371-4217-0	HOSE 1, FUEL	1						
24	01513-50618	STUD	2						M6*1.0
25	02056-50060	NUT	2						M6*P1.0
26	04512-50060	WASHER, SPRING	2						M6
27	E5760-16211	COVER, CAMSHAFT	1						
28	E5760-36332	GASKET, FUEL CAMSHAFT COVER	1						(t 1.0)
29	01123-50818	BOLT, WASHER	3						M8*P1.25
30	01123-50830	BOLT, WASHER v	1						M8P1.25*30

----> Old replace New
 <----> Interchangeable

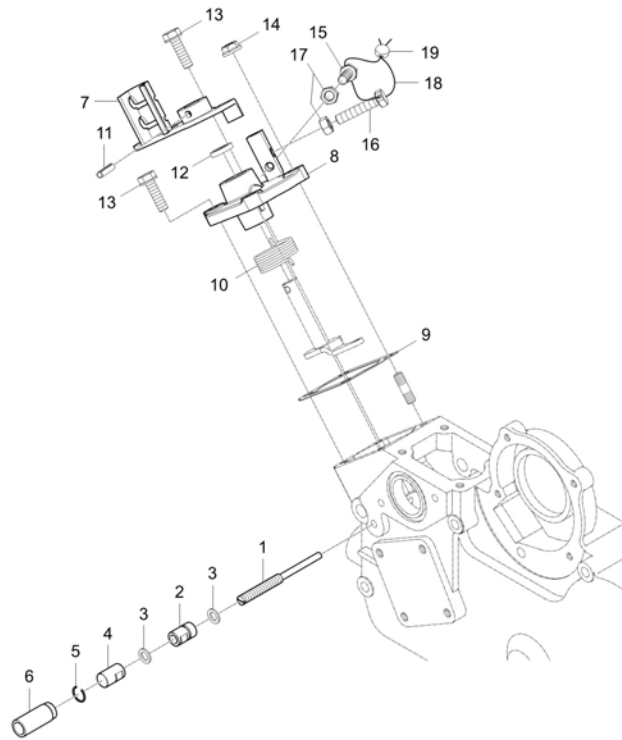
<---- New replace Old
 <-O-> Interchangeable with another part(s)

<-X-> Not interchangeable

* Please place an order assy(*)

EC1-G153001

SPEED CONTROL LEVER GROUP



A : CS2210(WY8200001~)

No.	Part Number	Description	Qty					I.C	Remark
			A	B	C	D	E		
1	E5760-54123	BOLT, FUEL ADJUSTING	1						
2	E6305-92021	NUT	1						
3	E6305-96652	GASKET	2						
4	E6305-54221	CAP NUT	1						
5	E6305-54281	SNAP RING	1						D=0.8
6	EC11-0046A	CAP	1						
7	E5760-57152	LEVER, SPEED CONTROL	1						
8	E5850-57112	PLATE, SPEED CONTROL v	1						
9	E5850-57212	GASKET, SPEED CONTROL PLATE	1						
10	E5850-57922	SPRING v	1						
11	05411-00420	PIN, SPRING	1						
12	15471-5798-1	SEAL, OIL	1						
13	01754-50620	BOLT, FLANGE	3						
14	02751-50060	NUT, FLANGE	1						M6XP1.0
15	E5311-57281	SCREW, STOPPER	1						
16	15108-5728-5	SCREW, STOPPER	1						HEX10,M6*1.0
17	02056-50060	NUT	2						M6*P1.0
18	07811-10820	WIRE	1						

----> Old replace New
 <----> Interchangeable

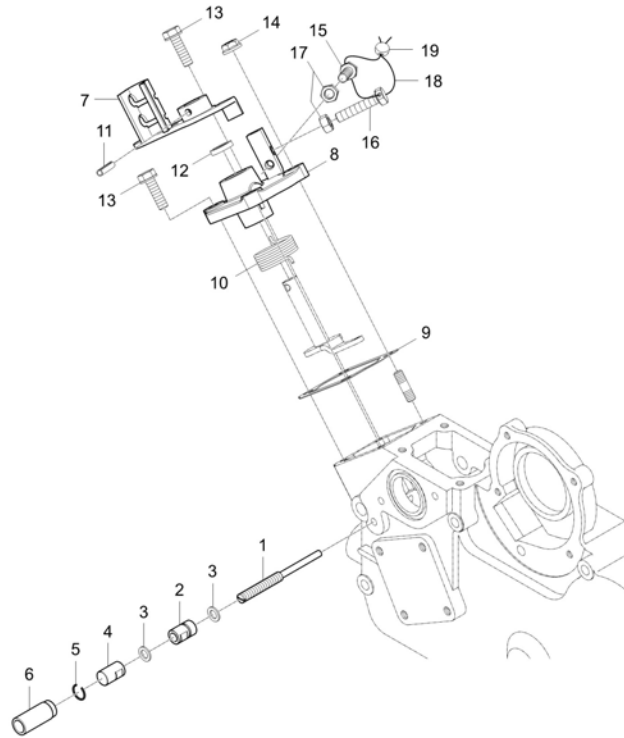
<---- New replace Old
 <-O-> Interchangeable with another part(s)

<-X-> Not interchangeable

* Please place an order assy(*)

EC1-G153001

SPEED CONTROL LEVER GROUP



A : CS2210(WY8200001~)

No.	Part Number	Description	Qty					I.C	Remark
			A	B	C	D	E		
19	07918-00001	LEAD, SEALING	1						

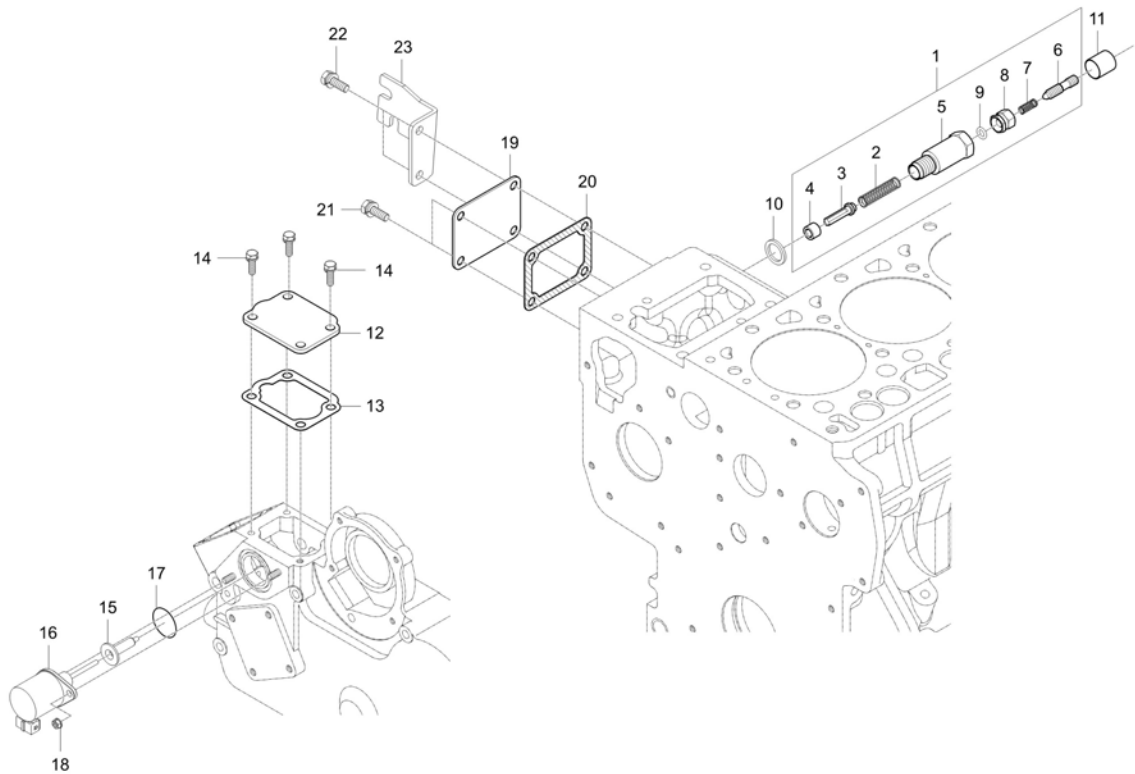
----> Old replace New
<----> Interchangeable
* Please place an order assy(*)

<---- New replace Old
<-O-> Interchangeable with another part(s)

<-X-> Not interchangeable

EC1-G154003

ENGINE STOP LEVER GROUP



A : CS2210(WY8200001~)

No.	Part Number	Description	Qty					I.C	Remark
			A	B	C	D	E		
1	E5760-54098	IDLE APPARATUS ASSY	1						
2	E5760-56481	START SPRING	1						
3	E5850-54274	SHAFT, IDLE ADJUSTMENT	1						
4	E5850-54283	BUSH	1						
5	E5850-54292	ADJUSTMENT BODY, IDLE dnr v	1						
6	E5850-54253	IDEL ADJUSTING BOLT	1						
7	E5760-54263	SPRING, IDLE LIMIT v	1						
8	EC11-0049A	NUT	1						
9	04811-00060	O RING	1						
10	04724-00140	PACKING	1						
11	E5205-54271	CAP	1						T0.5*60*60
12	E6850-57313	COVER, ENGINE STOP LEVER	1						
13	E5850-57212	GASKET, SPEED CONTROL PLATE	1						
14	01754-50616	BOLT, FLANGE v	4						M6*P1.0
15	E5760-56602	ENGINE STOP SOLENOIDE GUIDE v	1						
16	E6820-60011	GROUP, ENGINE STOP SOLENOIDE v	1						
17	04814-06310	O RING	1						
18	02751-50060	NUT, FLANGE	2						M6XP1.0

----> Old replace New
 <----> Interchangeable

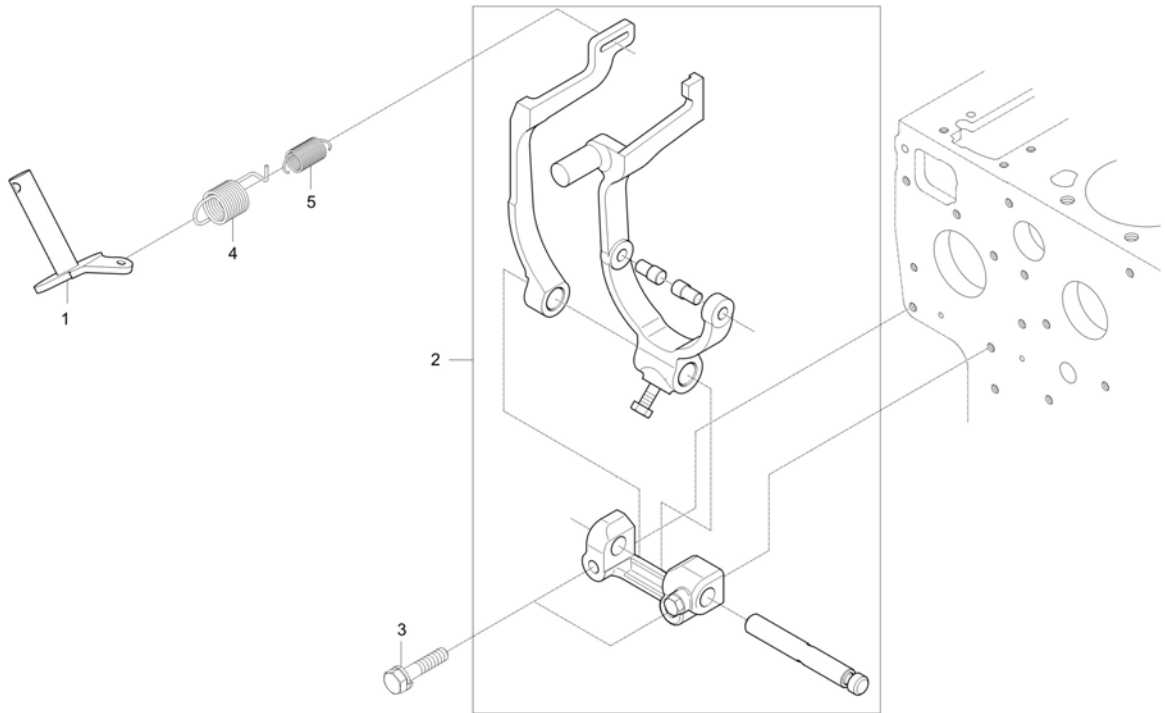
<---- New replace Old
 <-O-> Interchangeable with another part(s)

<-X-> Not interchangeable

* Please place an order assy(*)

3C100LF-E170

GROUP, GOVERNOR



A : CS2210(WY8200001~)

No.	Part Number	Description	Qty					I.C	Remark
			A	B	C	D	E		
1	E5760-56021	GOVERNOR LEVER ASSY	1						
2	E5706-56051	ASSY LEVER	1						
3	01023-50628	BOLT, WASHER	2						HEX10*38
4	E5700-56414	SPRING 1, GOVERNOR	1						DIA1.2
5	15521-5642-1	SPRING 2, GOVERNOR	1						DIA0.6

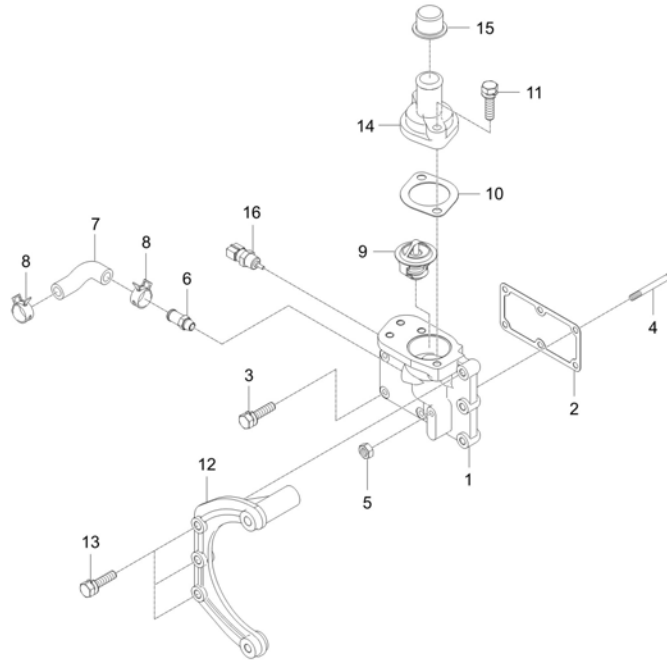
----> Old replace New
 <----> Interchangeable
 * Please place an order assy(*)

<---- New replace Old
 <-O-> Interchangeable with another part(s)

<-X-> Not interchangeable

EC1-G162001

WATER FLANGE GROUP



A : CS2210(WY8200001~)

No.	Part Number	Description	Qty					I.C	Remark
			A	B	C	D	E		
1	EC16-0001A	FLANGE, COOLING WATER	1						
2	E5700-72922	GASKET, FLANGE	1						T1.0*123*64
3	01023-50616	BOLT, WASHER	5						M6*P1.0
4	01513-50655	STUD	1						
5	02761-50060	NUT, FLANGE	1						M6XP1.0
6	E5700-73343	HOSE, COOLING WATER RETURN dnr v	1						DIA12*31
7	E5700-73353	HOSE, WATER PUMP v	1						
8	09318-88140	CLMAP, HOSE	2						
9	E5800-73011	THERMOSTAT ASSY	1						
10	E5500-73272	GASKET v	1						t1.0
11	01754-50835	BOLT v	2						
12	EC19-0003A	STAY,ALTERNATOR	1						
13	01754-50825	BOLT, FLANGE	3						M8XP1.25
14	E5700-73263	COVER, THERMOSTAT	1						
15	E5500-74213	COVER, WATER HOSE	1						
16	E7240-32731	TEMPERATURE SENSOR ASSY	1						

----> Old replace New
 <----> Interchangeable

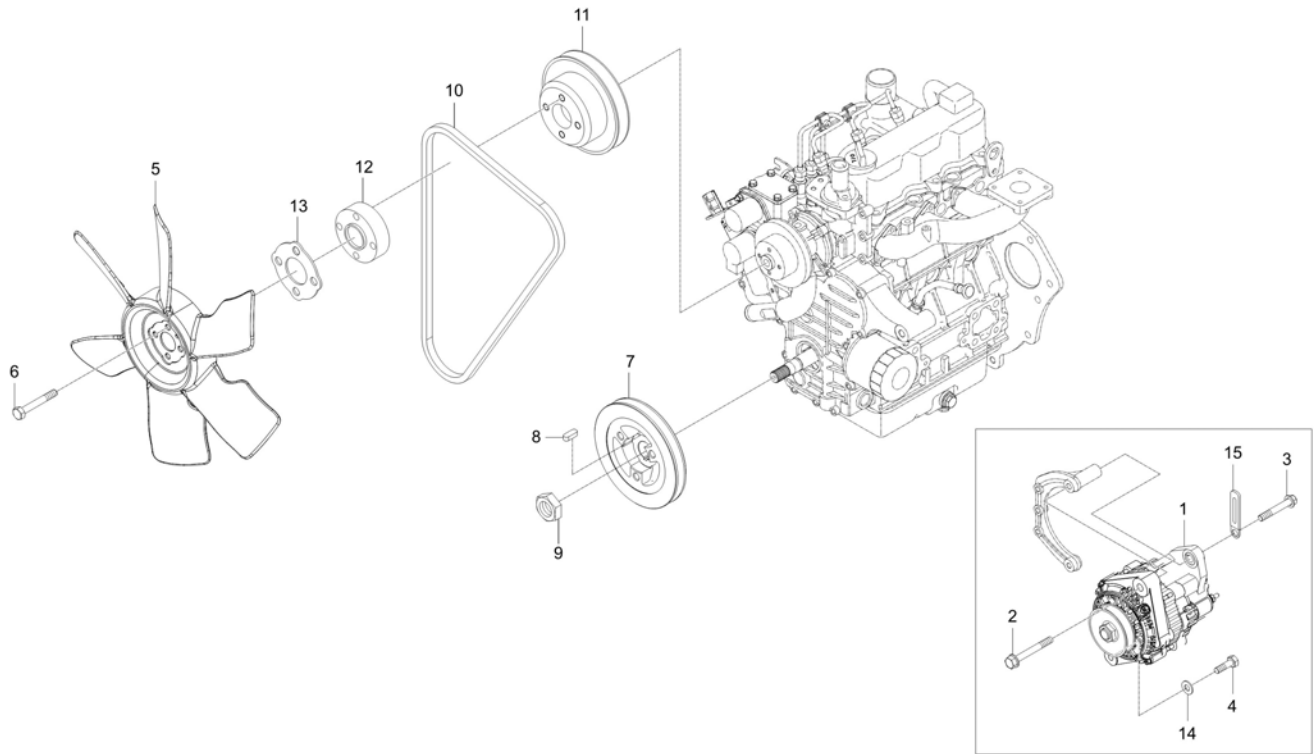
<---- New replace Old
 <-O-> Interchangeable with another part(s)

<-X-> Not interchangeable

* Please place an order assy(*)

EC1-G164002

COOLING FAN GROUP



A : CS2210(WY8200001~)

No.	Part Number	Description	Qty					I.C	Remark
			A	B	C	D	E		
1	E6213-64012	ALTERNATOR ASSY	1						
2	01774-51045	BOLT, FLANGE	1						
3	01774-51035	BOLT, FLANGE	1						
4	01155-50855	BOLT	1						
5	E7400-74112	COOLING FAN	1						
6	01754-50630	FLANGE BOLT	4						M6XP1.0
7	EC12-0017A	PULLEY, FAN DRIVE	1						
8	05712-00515	KEY	1						
9	E5205-23362	NUT, CRANKSHAFT	1						HEX29,M20*1.5
10	EC16-0002A	BELT, FAN	1						
11	E5752-74251	FAN PULLEY v	1						
12	E5752-74123	FAN COLLAR	1						
13	E7400-74152	COLLOR, FAN	1						
14	04015-50080	PLAIN WASHER	1						T2.6
15	37155-3447-1	CLAMP,CORD	1						-

----> Old replace New
 <----> Interchangeable

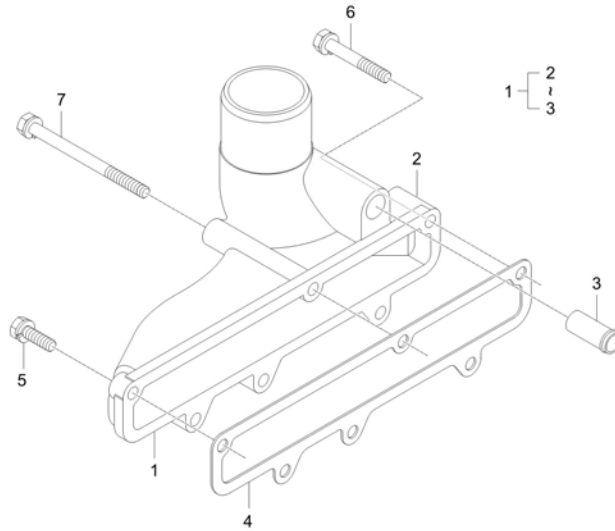
<---- New replace Old
 <-O-> Interchangeable with another part(s)

<-X-> Not interchangeable

* Please place an order assy(*)

EC1-G131001

INTAKE MANIFOLD GROUP

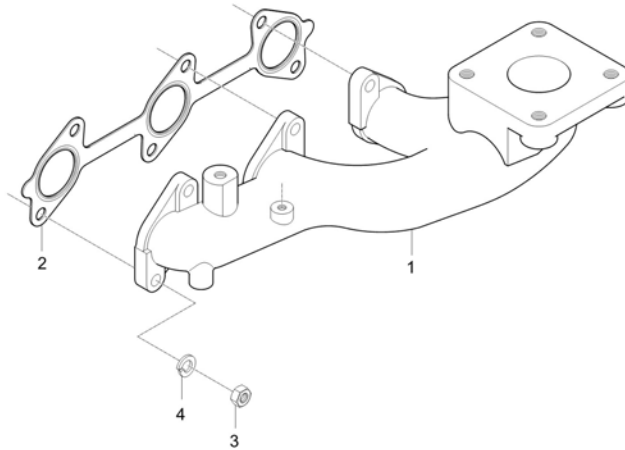


A : CS2210(WY8200001~)

No.	Part Number	Description	Qty					I.C	Remark
			A	B	C	D	E		
1	E5760-11702	MANIFOLD ASS'Y	1						
2	E5760-11762	MANIFOLD,INLET	1						
3	E6510-05552	CONNECTOR, AIR BREATHER HOSE	1						N
4	E5770-11821	GASKET, INTAKE MANIFOLD	1						
5	01023-50620	BOLT, WASHER	4						M6XP1.0
6	01023-50630	BOLT WASHER	1						
6	01023-50638	BOLT	1					<-----	M6 X 1
7	01023-50660	BOLT, WASHER	1						MEX10*71
7	01023-50680	BOLT v	1					<-----	

----> Old replace New <---- New replace Old <-X-> Not interchangeable
 <----> Interchangeable <-O-> Interchangeable with another part(s)

* Please place an order assy(*)



A : CS2210(WY8200001~)

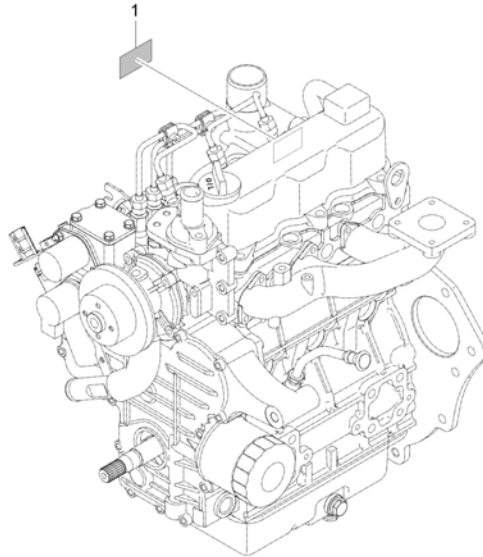
No.	Part Number	Description	Qty					I.C	Remark
			A	B	C	D	E		
1	E5752-12312	MANIFOLD, EXHAUST v	1						
2	E5700-12362	GASKET, EXHAUST MANIFOLD	1						T0.25*2layer
3	02056-50060	NUT	6						M6*P1.0
4	04512-50060	WASHER, SPRING	6						M6

----> Old replace New <---- New replace Old <-X-> Not interchangeable
 <----> Interchangeable <-O-> Interchangeable with another part(s)

* Please place an order assy(*)

EC1-G183002

EPA LABEL GROUP



A : CS2210(WY8200001~)

No.	Part Number	Description	Qty					I.C	Remark
			A	B	C	D	E		
1	EC18-0012A	LABEL, EPA CERTIFICATE	1						
1	EC18-0012B	LABEL, EPA CERTIFICATE	1					<-----	

----> Old replace New
 <----> Interchangeable
 * Please place an order assy(*)

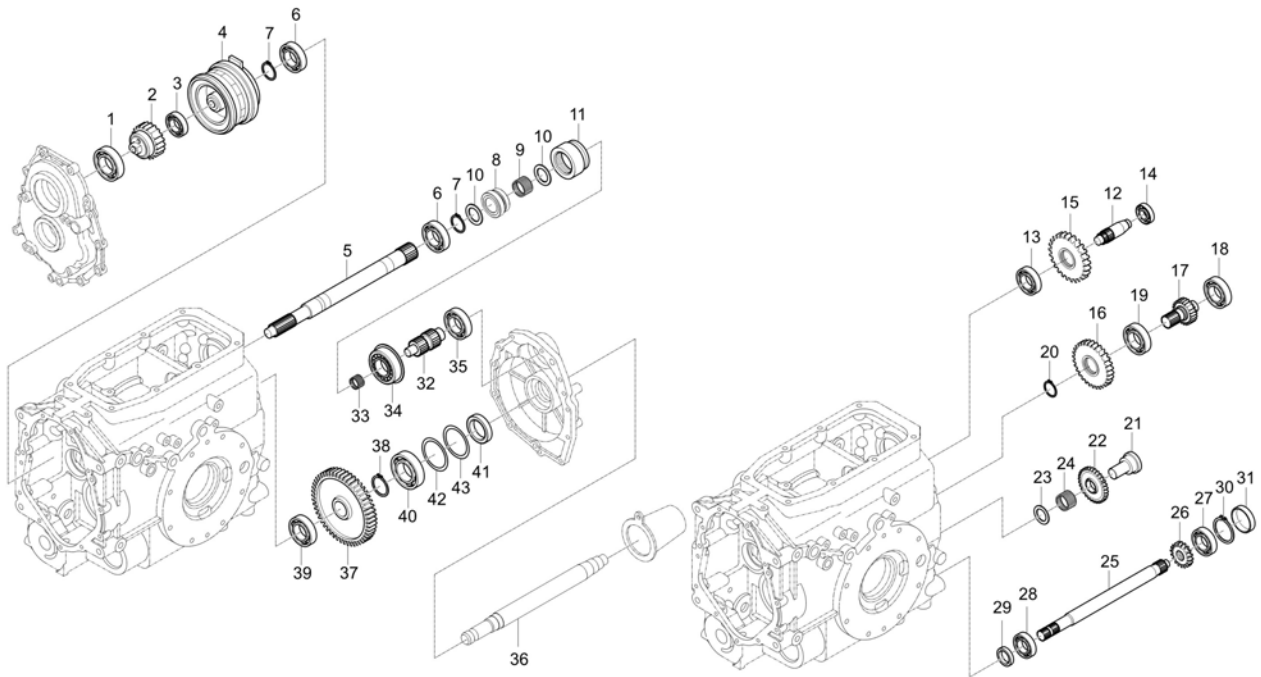
<----- New replace Old
 <-O-> Interchangeable with another part(s)

<-X-> Not interchangeable

TRANSMISSION

TB2-G2C4001

PTO SHAFT GROUP



A : CS2210(WY8200001~)

No.	Part Number	Description	Qty					I.C	Remark
			A	B	C	D	E		
1	T2555-66206	BALL BEARING	1						#6206Z, GMB CHINA
2	T2555-24111	HUB, SPLINE	1						
3	T2555-06303	BALL BEARING	1						#6303, GMB CHINA
4	T2555-24121	CLUTCH ASSY	1						
5	T2555-24151	DRIVE SHAFT	1						
6	T2555-06205	BALL BEARING	2						#6205, GMB CHINA
7	04612-00250	CIR-CLIP	2						
8	TB32-0147B	GEAR-18	1						
9	T2555-53025	BEARING, NIDDLE	1						25x30x25, GMB CHINA
10	T2555-25311	COLLAR, THRUST	2						
11	T2555-24161	SLIDING GEAR	1						
12	T2555-24201	DRIVE SHAFT	1						
13	T2555-06204	BALL BEARING	1						#6204, GMB CHINA
14	T2555-06203	BALL BEARING	1						#6203, GMB CHINA
15	TB32-0148A	GEAR-25	1						
16	TB32-0149A	GEAR-30	1						
17	T2555-24231	SHAFT	1						
18	T2555-06305	BALL BEARING	1						#6305, GMB CHINA

----- Old replace New
 <----- Interchangeable

<---- New replace Old
 <-O-> Interchangeable with another part(s)

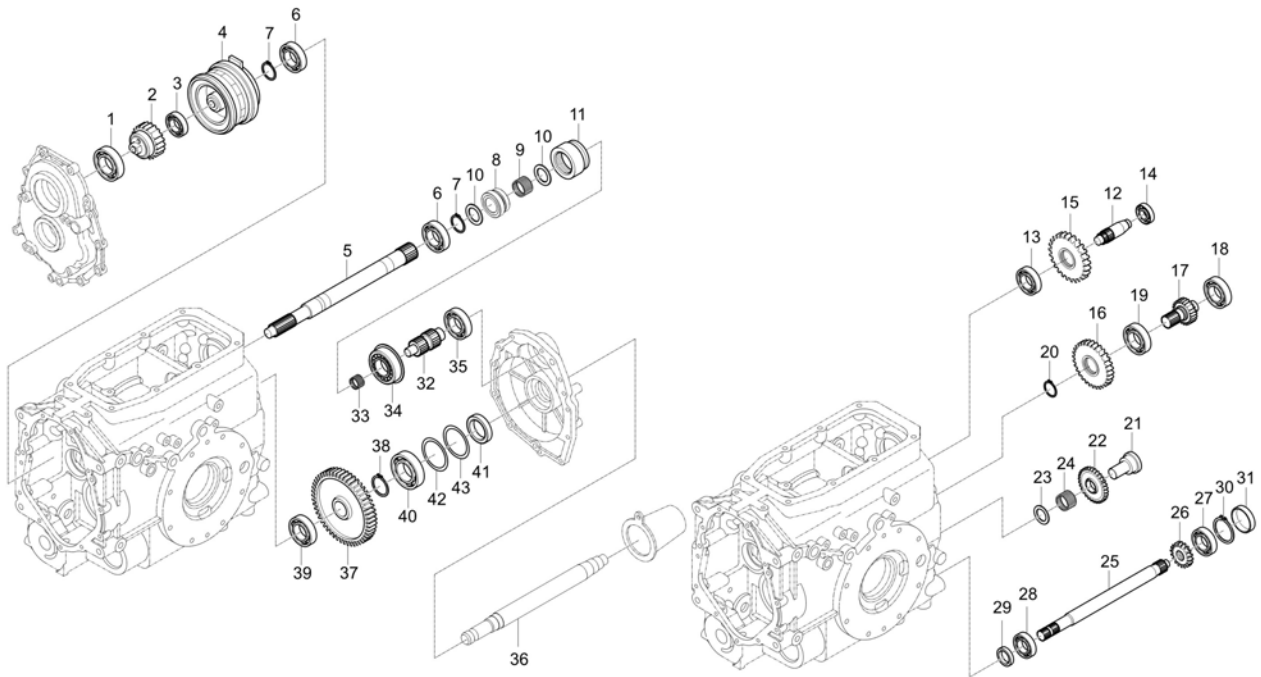
<-X-> Not interchangeable

* Please place an order assy(*)

TRANSMISSION

TB2-G2C4001

PTO SHAFT GROUP



A : CS2210(WY8200001~)

No.	Part Number	Description	Qty					I.C	Remark
			A	B	C	D	E		
19	T2555-56305	BALL BEARING	1						#6305NR, GMB CHINA
20	04612-00250	CIR-CLIP	2						
21	T2555-24251	SHAFT GEAR, IDLE	1						
22	T2555-24241	SHAFT, COUNTER	1						
23	T2555-25311	COLLAR, THRUST	1						
24	T2555-53025	BEARING, NIDDLE	1						25x30x25, GMB CHINA
25	T2555-24272	SHAFT, PTO OUTPUT	1						
26	T2555-24261	GEAR	1						
27	T2555-06304	BALL BEARING	1						#6304, GMB CHINA
28	T2555-06006	BALL BEARING	1						#6006, GMB CHINA
29	T2555-24291	OIL SEAL	1						
30	04611-00520	SNAP RING	1						
31	T2555-24281	SEAL COVER	1						
32	TB32-0145A	SHAFT, GEAR PTO-10	1						
32	TB32-0145B	SHAFT, GEAR PTO-10	1					<---->	
33	T2555-41913	BEARING, NIDDLE	1						15x19x13, GMB CHINA
34	T2555-56206	BALL BEARING	1						#6206NR, GMB CHINA
35	T2555-06204	BALL BEARING	1						#6204, GMB CHINA

----> Old replace New
<----> Interchangeable

<----> New replace Old
<-O-> Interchangeable with another part(s)

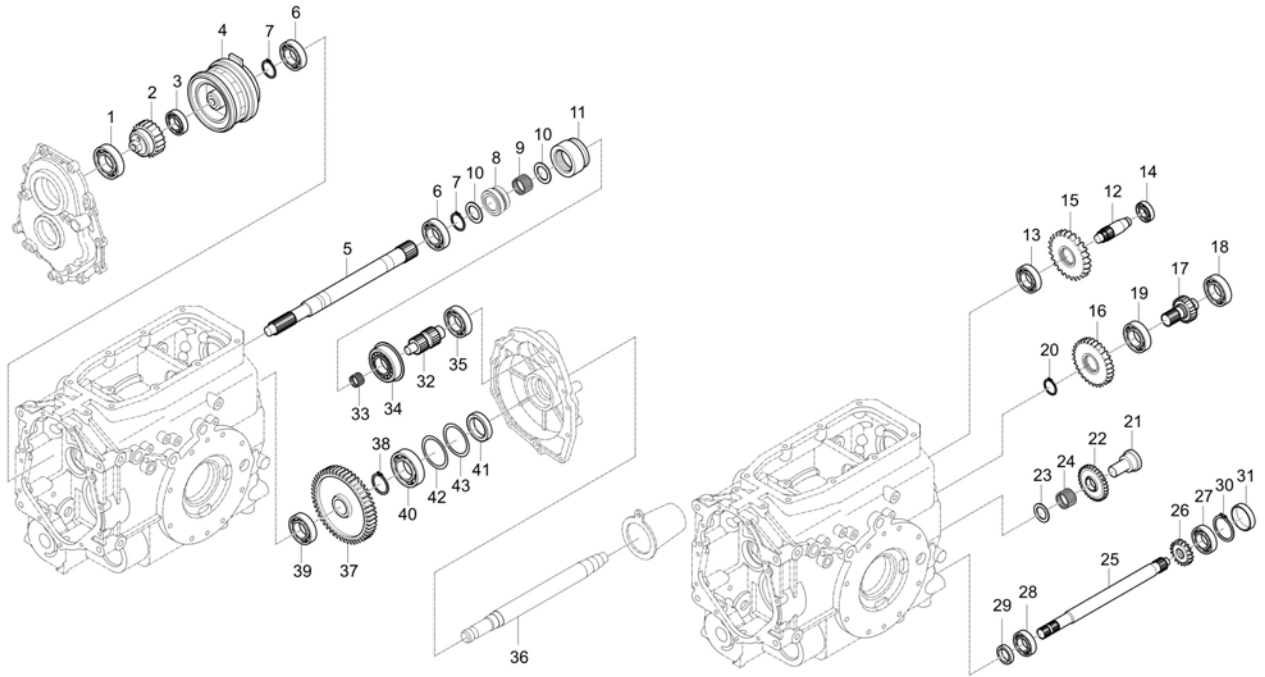
<-X-> Not interchangeable

* Please place an order assy(*)

TRANSMISSION

TB2-G2C4001

PTO SHAFT GROUP



A : CS2210(WY8200001~)

No.	Part Number	Description	Qty					I.C	Remark
			A	B	C	D	E		
36	T2555-24331	SHAFT,PTO OUTPUT	1						
37	TB32-0146A	GEAR, PTO-59	1						
38	04612-00300	SNAP RING	1						
39	T2555-06205	BALL BEARING	1						#6205, GMB CHINA
40	T2555-06206	BALL BEARING	1						#6206, GMB CHINA
41	T2555-29111	OIL SEAL	1						
42	T2555-24411	SHIM 0.10	1						
43	T2555-24421	SHIM 0.20	1						

----> Old replace New
 <----> Interchangeable
 * Please place an order assy(*)

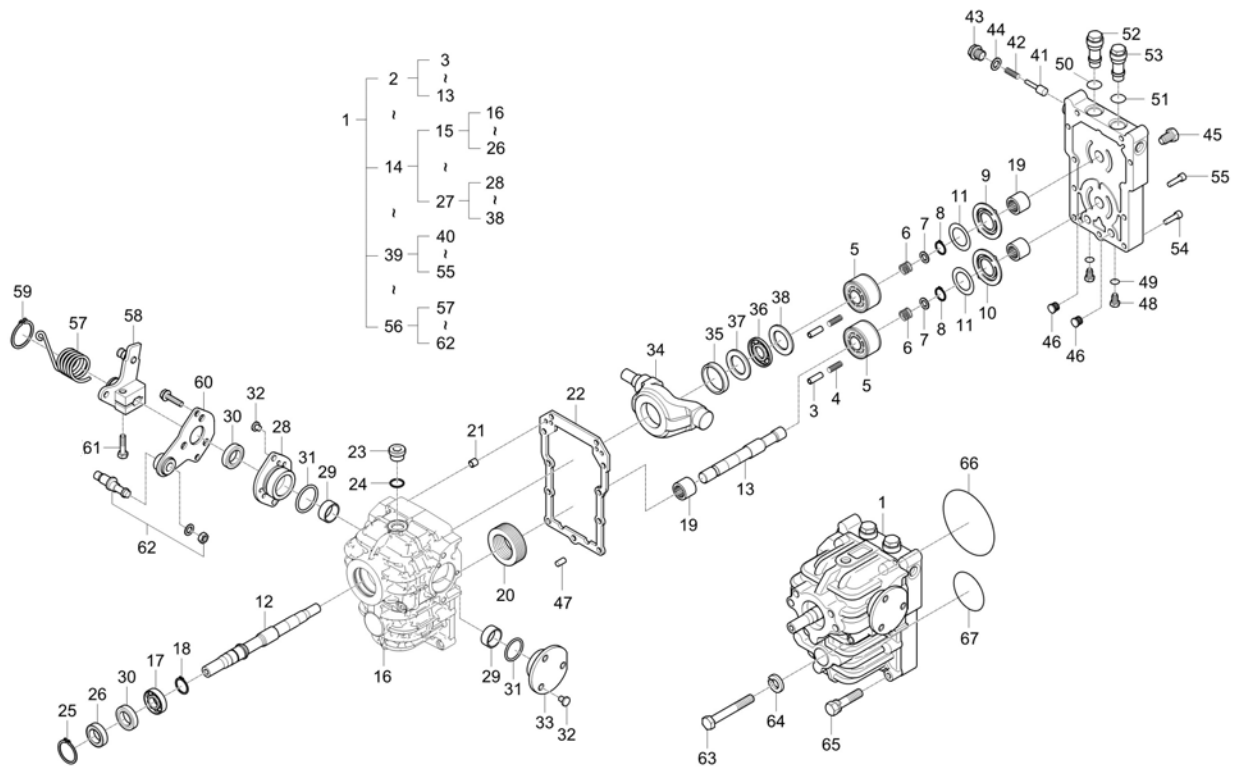
<---- New replace Old
 <-O-> Interchangeable with another part(s)

<-X-> Not interchangeable

TRANSMISSION

T2555-G610

ASSY,HST GROUP



A : CS2210(WY8200001~)

No.	Part Number	Description	Qty					I.C	Remark
			A	B	C	D	E		
1	T2555-30013	TRK HST ASSEMBLY V	1						
1	T2555-30014	HST ASSEMBLY	1					<---->	
2	0011-1	ROTARY PART	2						
3	H011-500-A	PISTON	14						
4	0011-1-1-02	FRICION SPRING	14						
5	H011-200-A	CYLINDER BLOCK	2						
6	0011-1-1-04	FRICION SPRING	2						
7	0011-1-1-05	SEAT,SPRING	4						
8	0011-1-1-06	RING, SNAP	2						DIA24 (IRTW)
9	H011-203-A	VALVE PLATE(P/P)	1						
10	H011-204-A	VALVE PLATE(MOTOR)	1						
11	0011-1-1-08	SHIM	14						
12	H011-205-A	SHAFT	1						
13	H011-206-A	SHAFT	1						
14	0011-2	CASIG PART	1						
15	0011-2-2	MAIN CASING ASS'Y	1						
16	H011-507-A	MAIN CASING	1						
17	0011-2-2-02	BALL BEARING obs v	1						#6204

----> Old replace New
 <----> Interchangeable

<---- New replace Old
 <-O-> Interchangeable with another part(s)

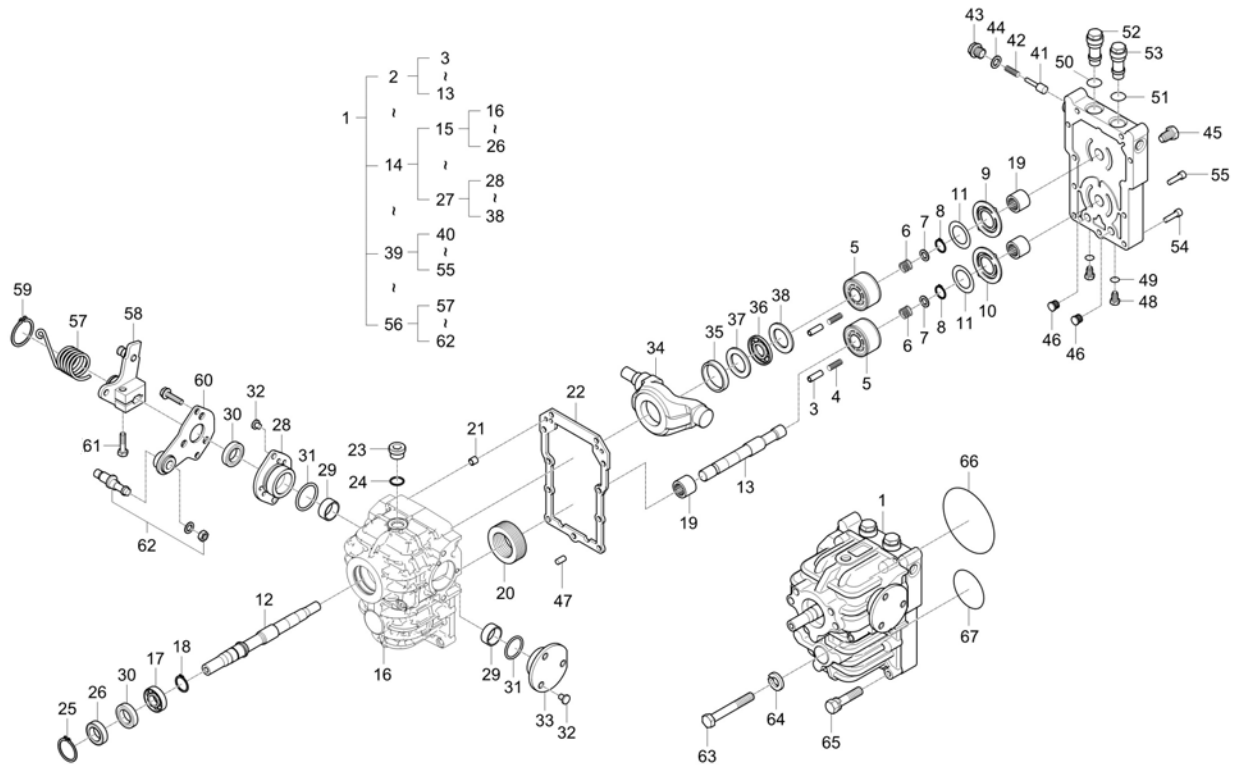
<-X-> Not interchangeable

* Please place an order assy(*)

TRANSMISSION

T2555-G610

ASSY,HST GROUP



A : CS2210(WY8200001~)

No.	Part Number	Description	Qty					I.C	Remark
			A	B	C	D	E		
18	0011-2-2-03	RING, SNAP	1						DIA20(축용)
19	0011-2-2-04	BEARING, NIDDLE	3						HK1816
20	0011-2-2-05	BEARING, THRUST BALL	1						
21	0011-2-2-06	PIN	2						DIA6x14
22	0011-2-2-07	GASKET	1						
23	0011-2-2-08	PLUG	1						PF 3/8
24	0011-2-2-09	O RING	1						BP 14
25	0011-2-2-10	RING, SNAP	2						DIA47(구멍용)
26	0011-2-3-01	COVER, BEARING	1						
27	0011-2-1	SWASH COVER ASSY	1						
28	H011-503-C	COVER(A)	1						
29	0011-2-1-02	BALL BEARING	2						OD30 X ID34 X L15
30	300024	OIL SEAL v	2						OD20X ID35x6L
31	0011-2-1-04	O-RING	3						BP 41
32	0011-2-1-05	LENCH BOLT	6						M6x12L
33	0011-2-1-06	COVER B	1						
34	0011-2-1-07	SWASH PLATE(P)	1						
35	0011-2-1-08	HUSH DU	1						

----> Old replace New
 <----> Interchangeable

<---- New replace Old
 <-O-> Interchangeable with another part(s)

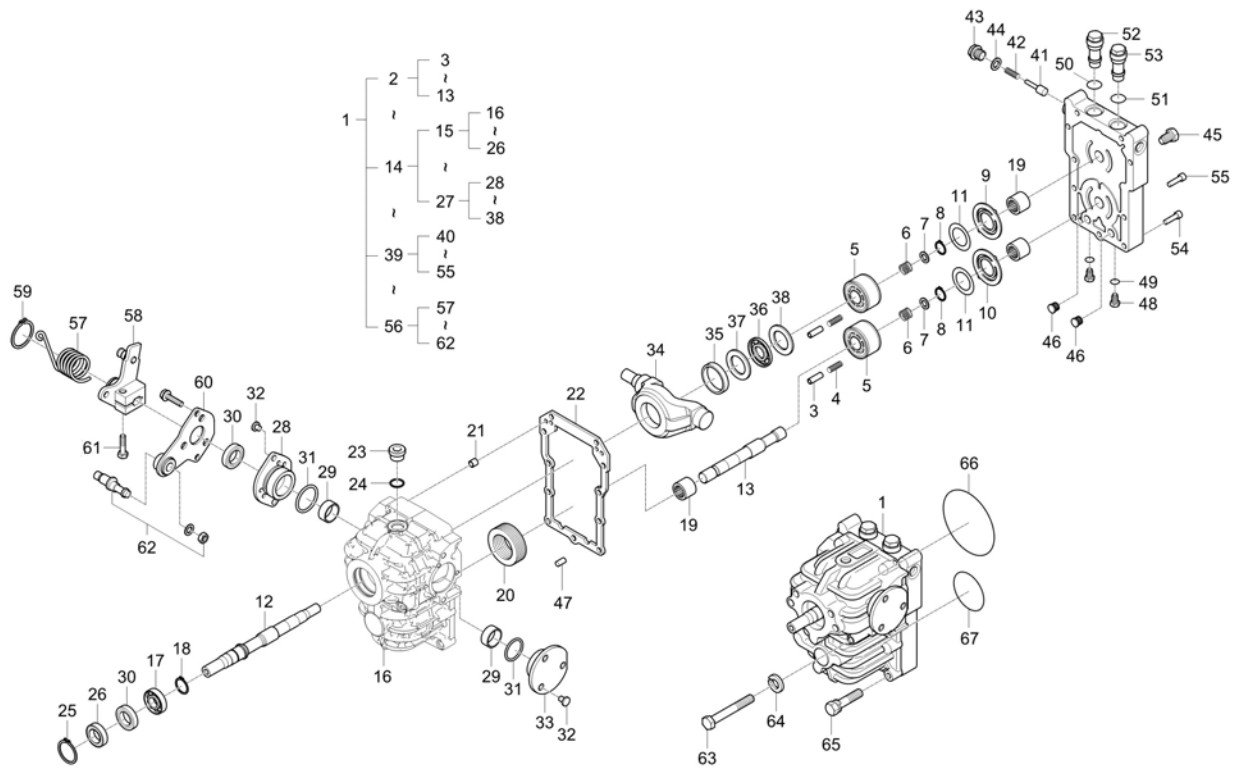
<-X-> Not interchangeable

* Please place an order assy(*)

TRANSMISSION

T2555-G610

ASSY,HST GROUP



A : CS2210(WY8200001~)

No.	Part Number	Description	Qty					I.C	Remark
			A	B	C	D	E		
36	0011-2-1-09	THRUST BALL BEARING	1						
37	0011-2-1-10	B-R PLATE A	1						
38	0011-2-1-11	B-R PLATE B	1						
39	0011-3	VALVE BLOCK	1						
40	0011-3-1-01	VALVE BLOCK	1						
41	0011-3-1-02	CHECK obs v	1						
42	0011-3-1-03	FRICTION SPRING obs v	1						
43	0011-3-1-04	PLUG	1						PF 1/4
44	0011-3-1-05	O RING	1						BP 11
45	0011-3-1-06	PLUG	1						
46	0011-3-1-08	ASSY,CHECK VALVE	2						
47	0011-3-1-09	PIN	2						DIA4x10L
48	0011-3-1-10	PLUG	2						PF 1/8
49	0011-3-1-11	O RING	2						BP 8
50	0011-3-1-12	O RING	1						G70
51	0011-3-1-13	O RING	1						G55
52	0011-3-1-14	ASSY, RELIEF VALVE	1						215k,PORT TYPE
53	0011-3-1-15	ASSY, RELIEF VALVE	1						215k,PORT TYPE

----> Old replace New
<----> Interchangeable

<---- New replace Old
<-O-> Interchangeable with another part(s)

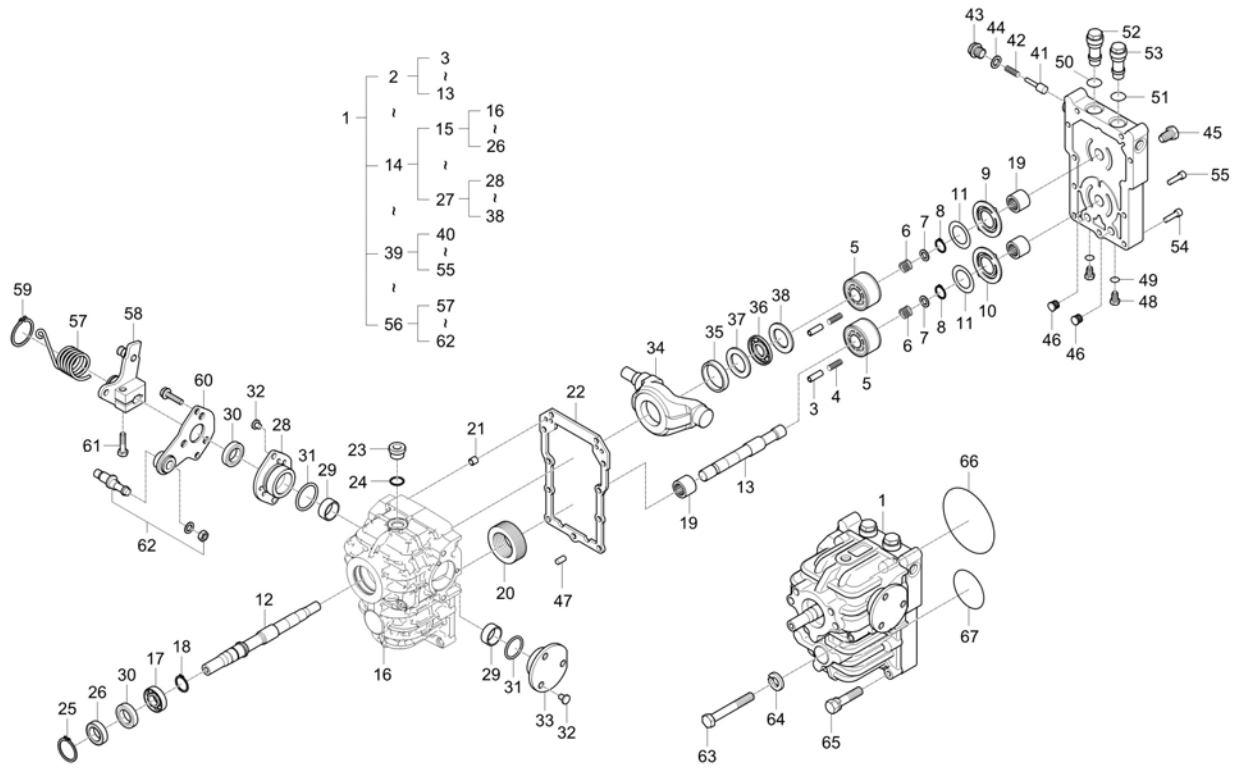
<-X-> Not interchangeable

* Please place an order assy(*)

TRANSMISSION

T2555-G610

ASSY,HST GROUP



A : CS2210(WY8200001~)

No.	Part Number	Description	Qty					I.C	Remark
			A	B	C	D	E		
54	0011-3-1-16	LENCH BOLT	5						M8x40L
55	0011-3-1-17	LENCH BOLT	2						M8x35L
56	0011-4	LEVER	1						
57	0011-4-1-01	SPRING	1						
58	0011-4-1-02	ASSY,LEVER KIT	1						
59	0011-4-1-03	RING, SNAP	1						DIA30(축용)
60	0011-4-1-04	GUIDE ASSY, LEVER	1						
61	0011-4-1-05	LENCH BOLT	1						M10x40L
62	0011-4-1-06	LENCH BOLT	1						M8x20L
63	T2555-30121	BOLT	2						M8
64	04512-50080	SPRING WASHER	2						M08
65	01123-50865	BOLT, WASHER	2						M8XP1.25
66	T8105-85080	O RING	1						
67	04811-50500	O RING	1						

----> Old replace New
<----> Interchangeable

<---- New replace Old
<-O-> Interchangeable with another part(s)

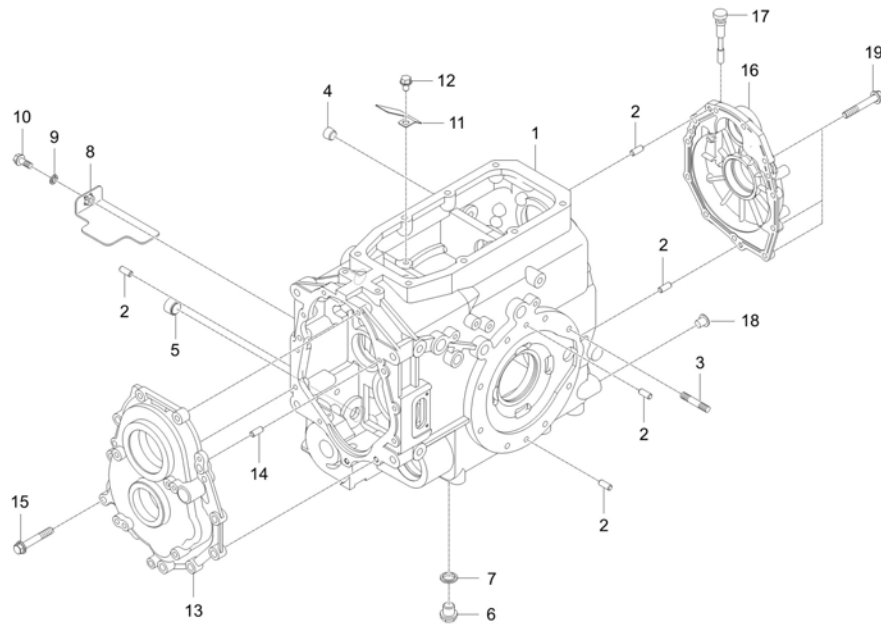
<-X-> Not interchangeable

* Please place an order assy(*)

TRANSMISSION

TB2-G224001

TRANSMISSION CASE GROUP



A : CS2210(WY8200001~)

No.	Part Number	Description	Qty					I.C	Remark
			A	B	C	D	E		
1	TB22-0007A	MISSION CASE	1						
2	05012-00818	PIN, PARALLEL	8						
3	01517-51040	STUD	2						
4	T2555-22611	PLUG(1/4)	1						
5	T2555-22621	PLUG(1/2)	1						
6	06331-45016	PLUG M16 P 1.25	1						M16P1.5
7	04717-01600	WASHER, SEAL	1						
8	T2555-25111	BRACKET	1						
9	01754-50820	BOLT, FLANGE	1						M8XP1.25
10	04717-00800	WASHER, SEAL	1						M8
11	T2555-25121	BRACKET	1						
12	01754-50812	BOLT, FLANGE	1						M8XP1.25
13	T2555-21121	COVER,FRONT	1						
14	05012-00818	PIN, PARALLEL	2						
15	01754-50835	BOLT v	1						
16	T2555-21132	COVER, PTO v	1						
17	T2555-25211	GAUGE	1						
18	32210-2758-1	PLUG	2						M12

----> Old replace New
<----> Interchangeable

<---- New replace Old
<-O-> Interchangeable with another part(s)

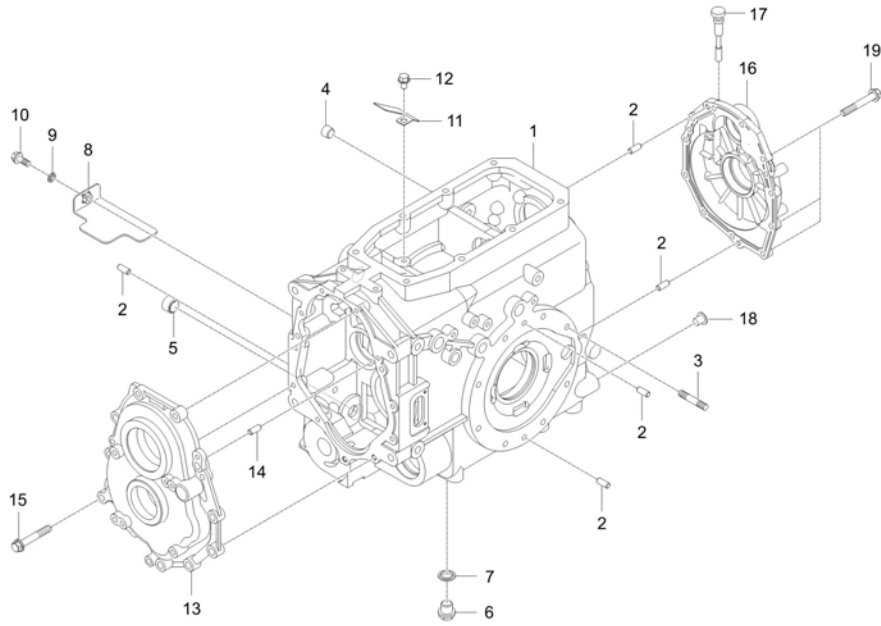
<-X-> Not interchangeable

* Please place an order assy(*)

TRANSMISSION

TB2-G224001

TRANSMISSION CASE GROUP



A : CS2210(WY8200001~)

No.	Part Number	Description	Qty					I.C	Remark
			A	B	C	D	E		
19	01754-50825	BOLT, FLANGE	10						M8XP1.25

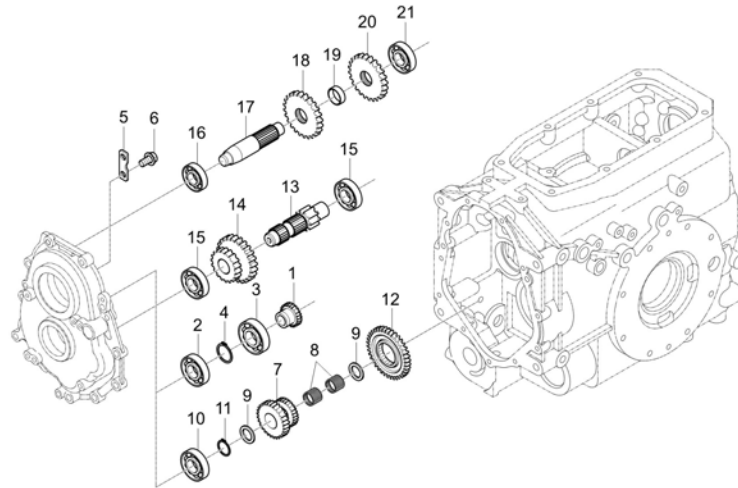
----> Old replace New
 <----> Interchangeable
 * Please place an order assy(*)

<----> New replace Old
 <-O-> Interchangeable with another part(s)

<-X-> Not interchangeable

T2555-G225

HI-LOW GEAR GROUP



A : CS2210(WY8200001~)

No.	Part Number	Description	Qty					I.C	Remark
			A	B	C	D	E		
1	T2555-22211	GEAR	1						
2	T2555-06006	BALL BEARING	1						#6006, GMB CHINA
3	T2555-06206	BALL BEARING	1						#6206, GMB CHINA
4	04612-00300	SNAP RING	1						
5	T2555-22221	STOPPER	1						
6	01123-50820	BOLT, WASHER v	2						M8XP1.25
7	T2555-22231	GEAR,COUNTER	1						
8	T2555-53025	BEARING, NIDDLE	2						25x30x25, GMB CHINA
9	T2555-25311	COLLAR, THRUST	2						
10	08101-06205	BEARING BALL dnr v	1						DIA25
11	04612-00250	CIR-CLIP	1						
12	T2555-22321	GEAR	1						
13	T2555-22311	SHAFT,COUNTER	1						
14	T2555-22241	SLIDING GEAR	1						
15	T2555-06205	BALL BEARING	2						#6205, GMB CHINA
16	T2555-06004	BALL BEARING	1						#6004, GMB CHINA
17	T2555-23221	SHAFT,COUNTER	1						
18	T2555-23211	GEAR	1						

----> Old replace New
 <----> Interchangeable

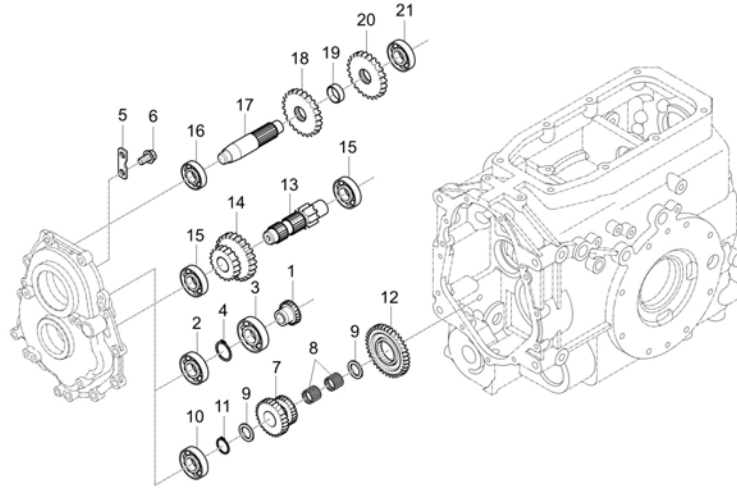
<---- New replace Old
 <-O-> Interchangeable with another part(s)

<-X-> Not interchangeable

* Please place an order assy(*)

T2555-G225

HI-LOW GEAR GROUP



A : CS2210(WY8200001~)

No.	Part Number	Description	Qty					I.C	Remark
			A	B	C	D	E		
19	T2555-23231	COLLAR	1						
20	T2555-23241	GEAR	1						
21	T2555-06304	BALL BEARING	1						#6304, GMB CHINA

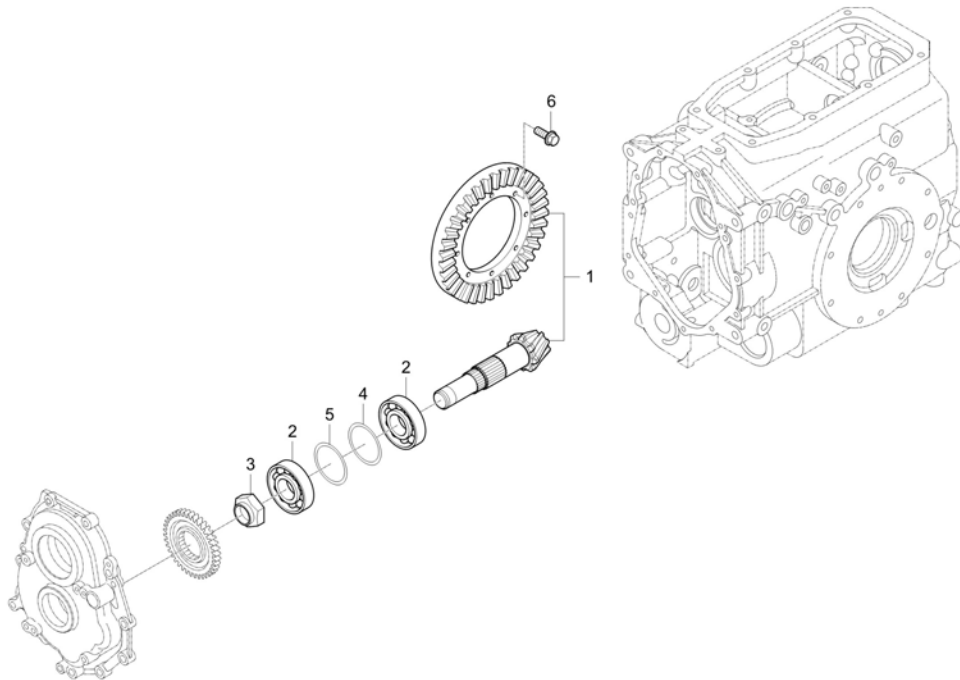
----> Old replace New
 <----> Interchangeable
 * Please place an order assy(*)

<---- New replace Old
 <-O-> Interchangeable with another part(s)

<-X-> Not interchangeable

T2555-G230

BEVEL PINOIN GEAR GROUP



A : CS2210(WY8200001~)

No.	Part Number	Description	Qty					I.C	Remark
			A	B	C	D	E		
1	T2555-26111	ASSY, DRIVE GEAR	1						
2	08711-30207	BEARING, TAPER ROLLER	2						#30207
3	T2555-22331	NUT	1						
4	T2555-22411	SHIM 0.10	1						
5	T2555-22421	SHIM 0.20	1						
6	01176-51035	BOLT	10						

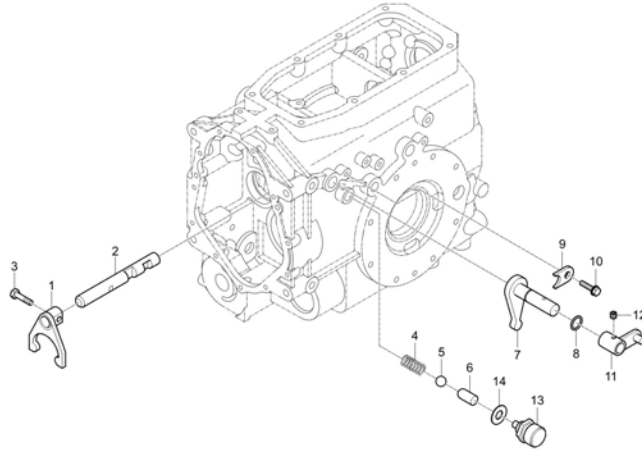
----> Old replace New
 <----> Interchangeable
 * Please place an order assy(*)

<---- New replace Old
 <-O-> Interchangeable with another part(s)

<-X-> Not interchangeable

T2555-G240

RANGE FORK GROUP



A : CS2210(WY8200001~)

No.	Part Number	Description	Qty					I.C	Remark
			A	B	C	D	E		
1	T2555-22251	FORK	1						
2	T2555-22261	ROD, SHIFT	1						
3	T2555-22521	LENCH BOLT	1						
4	T2555-22281	FRICION SPRING	1						
5	07715-03211	BALL v	1						11/32"
6	T2555-22291	PIN	1						
7	T2555-22271	SHIFT ARM	1						
8	04811-00140	O RING	1						
9	T2555-23331	STOPPER	1						
10	01123-50816	Hex Head Cap Screw	1						M8XP1.25
11	T2555-60451	LEVER 1, SUBMISSION	1						
12	T2610-39572	SCREW, SET	1						M8*P1.25
13	T4682-69401	SAFE SWITCH ASSY - use T5210-69401 dnr v	1						
14	T4682-43571	COLLAR 1.0T, ADJUSTING	1						T1.0

----> Old replace New
<----> Interchangeable

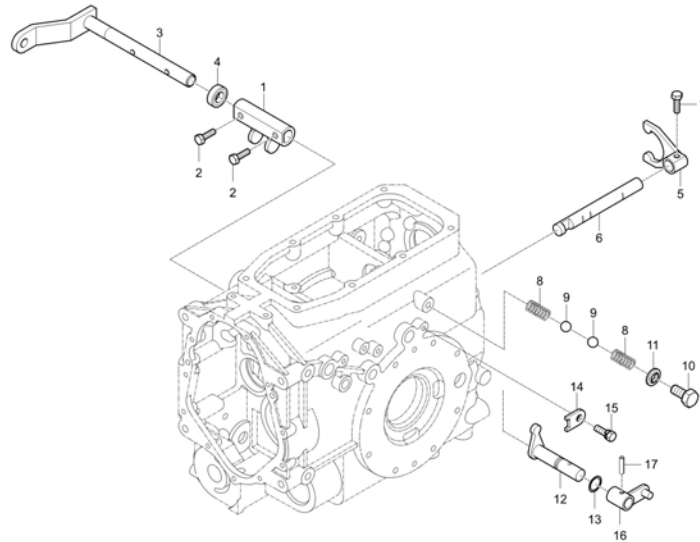
<---- New replace Old
<-O-> Interchangeable with another part(s)

<-X-> Not interchangeable

* Please place an order assy(*)

T2555-G245

PTO FORK GROUP



A : CS2210(WY8200001~)

No.	Part Number	Description	Qty					I.C	Remark
			A	B	C	D	E		
1	T2555-24131	CLUTCH FORK	1						
2	T2555-22521	LENCH BOLT	2						
3	T2555-24141	LEVER,CLUTCH	1						
4	09500-18308	SEAL, OIL	1						TC18308
5	T2555-22251	FORK	1						
6	T2555-24171	ROD, SHIFT	1						
7	T2555-22521	LENCH BOLT	1						
8	T2555-24181	FRICTION SPRING	2						
9	07715-03211	BALL v	2						11/32"
10	01175-51020	BOLT	1						
11	04717-01000	WASHER, SEAL	1						M10
12	T2555-24191	SHIFT ARM	1						
13	04811-00140	O RING	1						
14	T2555-23331	STOPPER	1						
15	01123-50816	Hex Head Cap Screw	1						M8XP1.25
16	T2555-60451	LEVER 1, SUBMISSION	1						
17	05411-00632	PIN, SPRING	1						DIA6.4XL32

----> Old replace New
 <----> Interchangeable

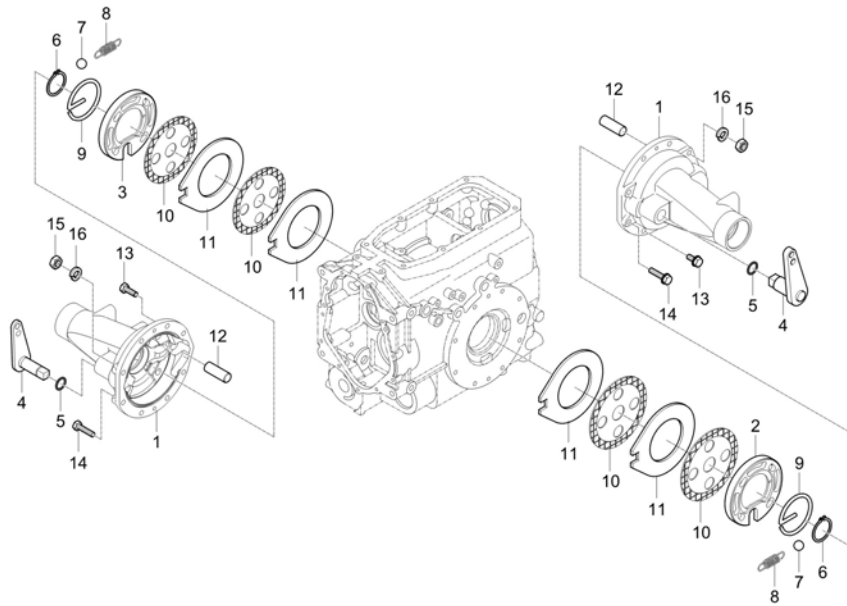
<---- New replace Old
 <-O-> Interchangeable with another part(s)

<-X-> Not interchangeable

* Please place an order assy(*)

T2555-G250

BRAKE GROUP



A : CS2210(WY8200001~)

No.	Part Number	Description	Qty					I.C	Remark
			A	B	C	D	E		
1	T2555-28314	CASE, REAR AXLE	2						
2	T2555-28341	PLATE,CAM LH	1						
3	T2555-28351	PLATE,CAM RH	1						
4	T2555-28411	CAM,BRAKE	2						
5	04811-00210	O RING	2						
6	04612-00250	CIR-CLIP	2						
7	07715-03219	OB BALL	8						19/32
8	T2555-28461	FRICTION SPRING	4						
9	T2555-28471	HOLDING, SPRING	2						
10	T2555-28421	BREAK DISC	4						
11	T2555-28381	PLATE,BRAKE	4						
12	T2555-28442	PIN	2						
13	01133-51030	WITH WASHER BOLT	8						M10XP1.25
14	01133-51040	WASHER BOLT v	4						M10XP1.25X40
15	02176-50100	NUT v	4						M10XP1.25
16	04512-50100	SPRING WASHER	4						M10

----> Old replace New
 <----> Interchangeable

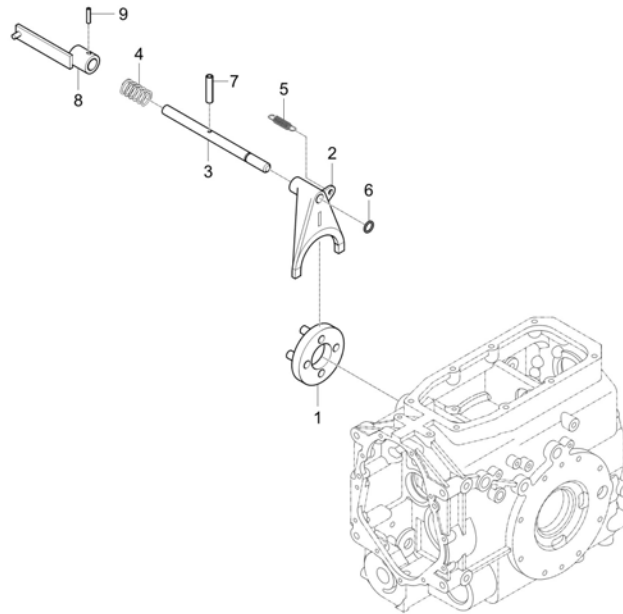
<---- New replace Old
 <-O-> Interchangeable with another part(s)

<-X-> Not interchangeable

* Please place an order assy(*)

T2555-G255

REAR DIFF. LOCK GROUP



A : CS2210(WY8200001~)

No.	Part Number	Description	Qty					I.C	Remark
			A	B	C	D	E		
1	T2555-26611	SHAFT, DIFF. LOCK	1						
2	T2555-26631	FORK,SHAFT	1						
3	T2555-26681	CAM,DIFFRENTIAL LOCK	1						
4	T2555-26641	FRICION SPRING	1						
5	T2555-26651	FRICION SPRING	1						
6	04811-00110	O RING	1						
7	05411-00665	SPRING PIN	1						
8	T2555-26592	LEVER, DIFFLOCK	1						
9	05411-00632	PIN, SPRING	1						DIA6.4XL32

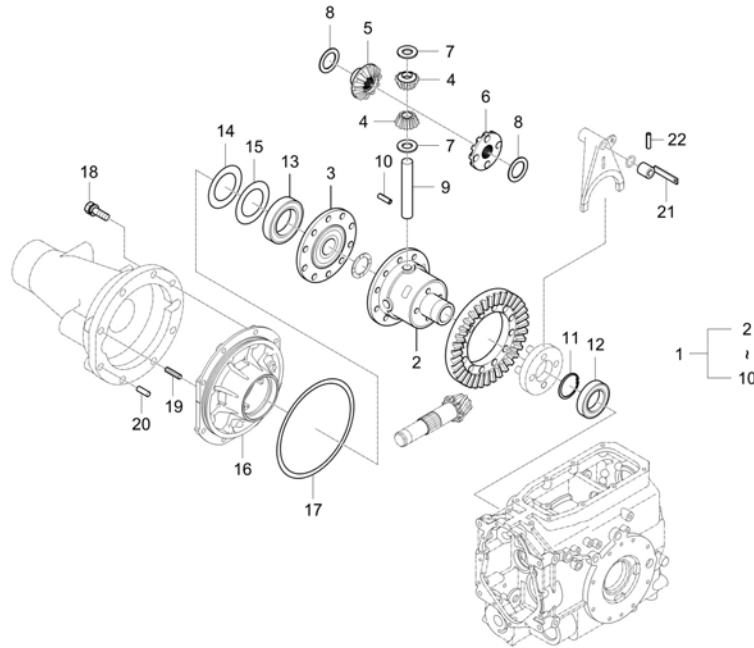
----> Old replace New
 <----> Interchangeable
 * Please place an order assy(*)

<---- New replace Old
 <-O-> Interchangeable with another part(s)

<-X-> Not interchangeable

T2555-G260

REAR DIFFERENTIAL SYSTEM GROUP



A : CS2210(WY8200001~)

No.	Part Number	Description	Qty					I.C	Remark
			A	B	C	D	E		
1	T2555-27101	REAR DIFFERENTIAL ASSEMBLY	1						
2	T2555-27211	CASE, REAR DIFF	1						
3	T2555-27231	COVER, DIFFERENTIAL CASE	1						
4	T2555-27241	PINION	2						
5	T2555-27281	GEAR, DIFF. SIDE	1						
6	T2555-27271	GEAR, DIFF. SIDE	1						
7	T2555-27251	WASHER	2						
8	T2555-27291	WASHER, THRUST	2						
9	T2555-27331	SHAFT, PINION	1						
10	05012-00525	PIN, DOWEL	1						
11	04612-00500	SNAP RING	1						
12	08101-06010	BEARING, BALL	1						#6010
13	08101-06012	BEARING, BALL	1						
14	T2555-27411	SHIM 0.10	1						
15	T2555-27421	SHIM 0.20	1						
16	T2555-27352	WINNOW BEARING HOLDER	1						
17	T2555-27361	O RING	1						G210
18	01133-51030	WITH WASHER BOLT	8						M10XP1.25

----> Old replace New
 <----> Interchangeable

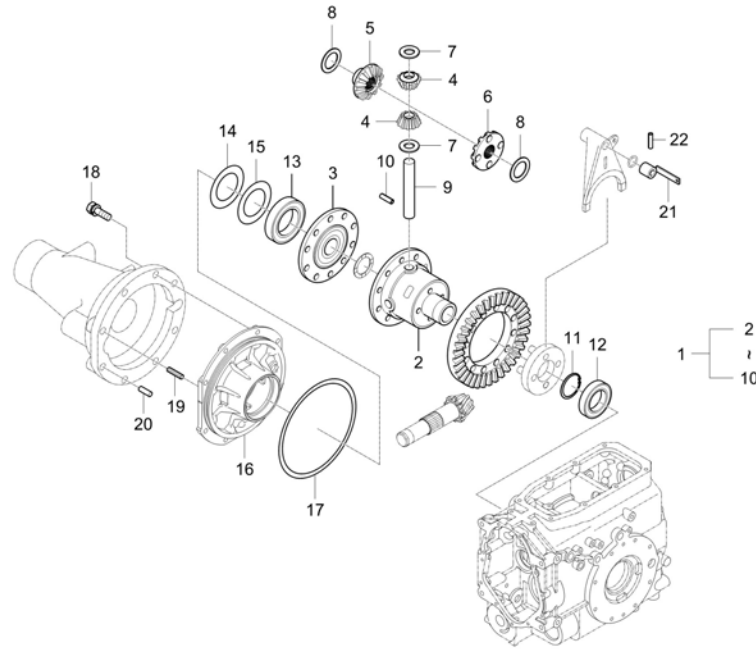
<---- New replace Old
 <-O-> Interchangeable with another part(s)

<-X-> Not interchangeable

* Please place an order assy(*)

T2555-G260

REAR DIFFERENTIAL SYSTEM GROUP



A : CS2210(WY8200001~)

No.	Part Number	Description	Qty					I.C	Remark
			A	B	C	D	E		
19	01517-51040	STUD	2						
20	05012-00818	PIN, PARALLEL	2						
21	T2555-26591	LEVER, DIFFLOCK	1						
22	05411-00632	PIN, SPRING	1						DIA6.4XL32

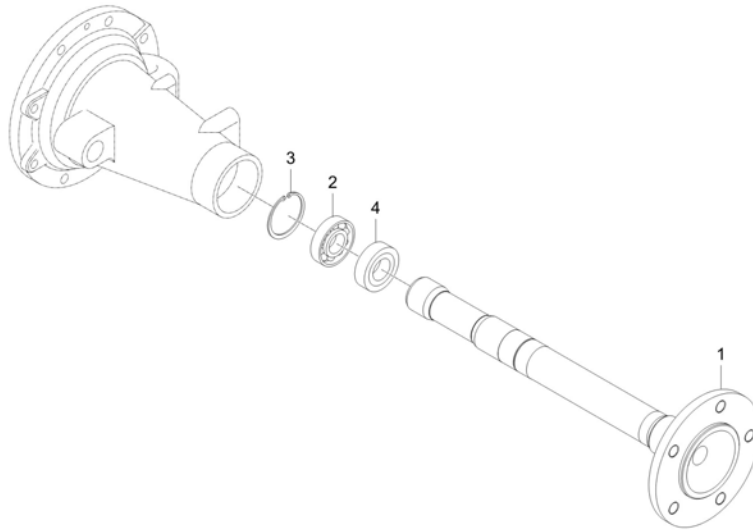
----> Old replace New
 <----> Interchangeable
 * Please place an order assy(*)

<---- New replace Old
 <-O-> Interchangeable with another part(s)

<-X-> Not interchangeable

T2555-G265

REAR AXLE GROUP



A : CS2210(WY8200001~)

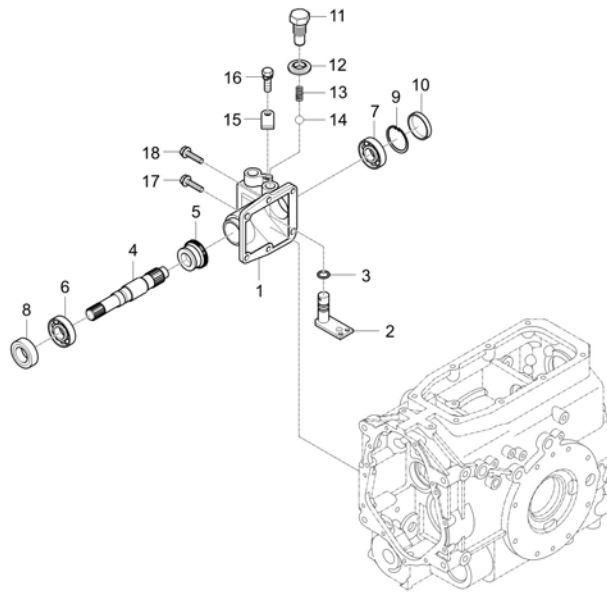
No.	Part Number	Description	Qty					I.C	Remark
			A	B	C	D	E		
1	T2555-27712	AXLE, REAR	2						
2	T2555-06007	BALL BEARING	4						#6007, GMB CHINA
3	04612-00350	CIR CLIP, EXTERNAL	2						
4	T2555-29121	OIL SEAL	2						

----- Old replace New <----- New replace Old <-X-> Not interchangeable
 <-> Interchangeable <-O-> Interchangeable with another part(s)

* Please place an order assy(*)

T2555-G270

4WD DRIVE GROUP



A : CS2210(WY8200001~)

No.	Part Number	Description	Qty					I.C	Remark
			A	B	C	D	E		
1	T2555-23111	CASE	1						
2	T2555-23261	ARM, SHIFT(FRONT)	1						
3	04811-00140	O RING	1						
4	T2555-23271	DRIVE SHAFT	1						
5	T2555-23251	SLIDING GEAR	1						
6	08101-06005	BALL BEARING	1						#6005
7	08101-06303	BEARING,BALL	1						#6303
8	09500-25388	SEAL, OIL	1						
9	04611-00470	RING,SNAP	1						
10	T2555-23281	SEAL COVER	1						
11	T2555-23311	BOLT	1						
12	04717-01600	WASHER, SEAL	1						
13	T2555-22281	FRICTION SPRING	1						
14	07715-00803	BALL	1						
15	T2555-23331	STOPPER	1						
16	01123-50816	Hex Head Cap Screw	1						M8XP1.25
17	01754-50825	BOLT, FLANGE	5						M8XP1.25
18	01754-50835	BOLT v	1						

----> Old replace New
 <----> Interchangeable

<---- New replace Old
 <-O-> Interchangeable with another part(s)

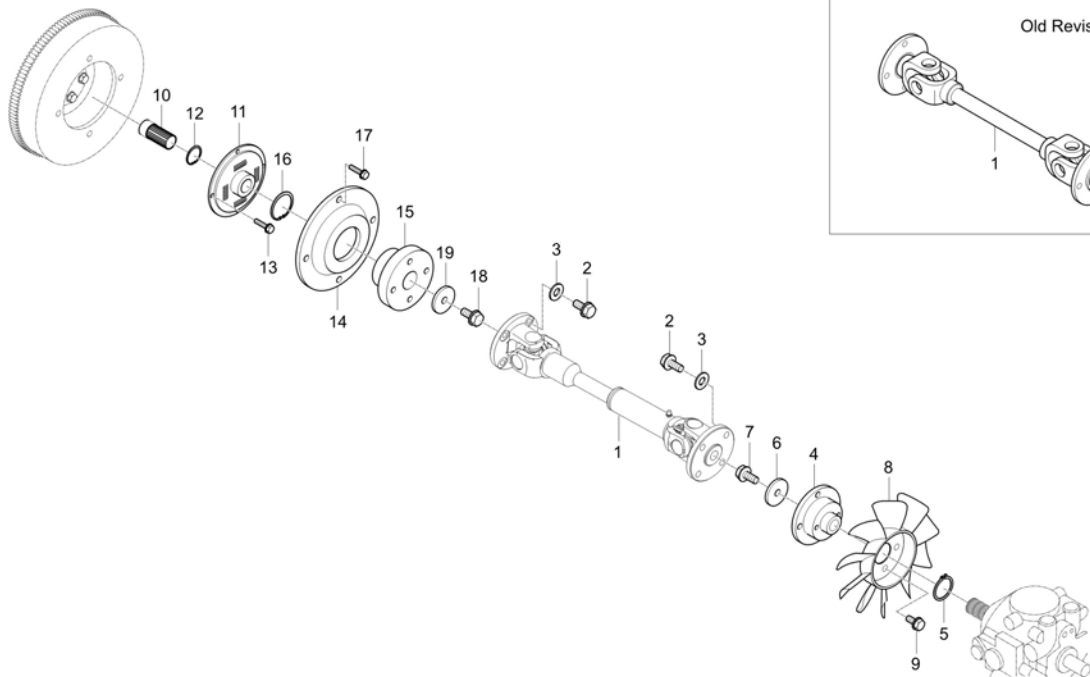
<-X-> Not interchangeable

* Please place an order assy(*)

TRANSMISSION

T2555-G350

MAIN SHAFT JOINT GROUP



A : CS2210(WY8200001~)

No.	Part Number	Description	Qty					I.C	Remark
			A	B	C	D	E		
1	T2555-14603	JOINT	1						
2	C7633-31391	BOLT, HEXAGON SOCKET	8						M8*P1.25
3	04512-50080	SPRING WASHER	8						M08
4	T2555-14671	JOINT HUB	1						
5	04612-00200	Stop Ring	1						DIA20
6	T2555-14681	WASHER	1						
7	01123-50820	BOLT, WASHER v	1						M8XP1.25
8	T2555-30023	COOLING FAN v	1						
9	01023-50614	BOLT, WASHER	2						M6P1.0
10	T2555-14611	SHAFT	1						
11	T2555-14501	ASSY,DEMPER	1						
12	04612-00200	Stop Ring	1						DIA20
13	T2555-14511	LENCH BOLT	8						
14	T2555-14651	JOINT HOLDER	1						
15	T2555-14661	JOINT HUB	1						
16	04612-00450	RING,SNAP	1						
17	01123-50820	BOLT, WASHER v	4						M8XP1.25
18	01123-50825	BOLT WITH WASHER	1						M8XP1.25

----> Old replace New
 <----> Interchangeable

<---- New replace Old
 <-O-> Interchangeable with another part(s)

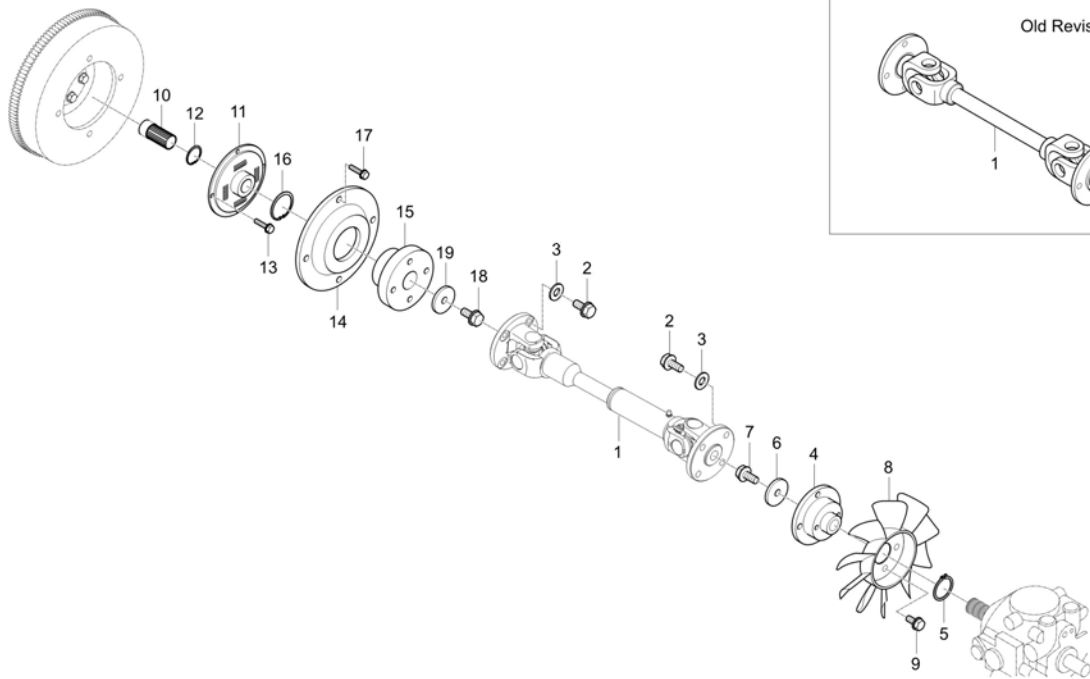
<-X-> Not interchangeable

* Please place an order assy(*)

TRANSMISSION

T2555-G350

MAIN SHAFT JOINT GROUP



A : CS2210(WY8200001~)

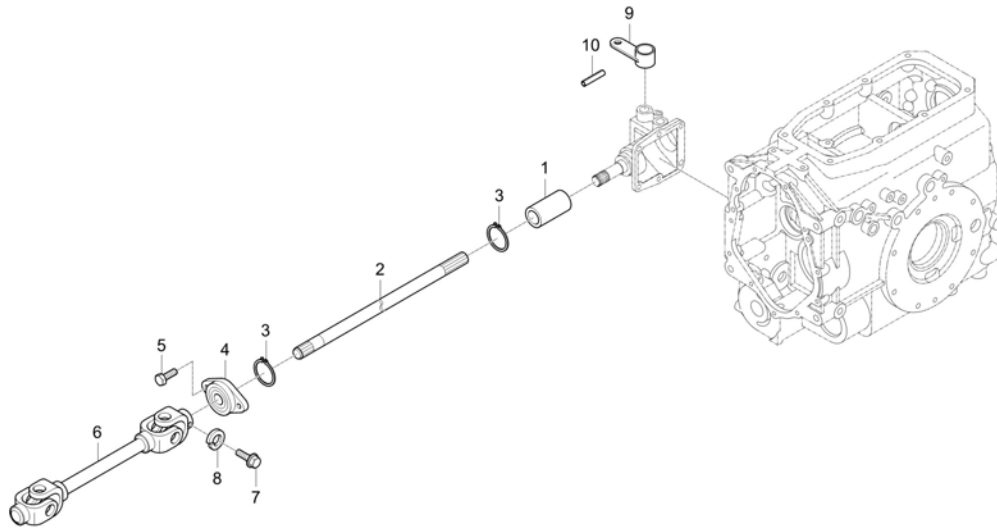
No.	Part Number	Description	Qty					I.C	Remark
			A	B	C	D	E		
19	T2555-14681	WASHER	1						

----- Old replace New <----- New replace Old <-X-> Not interchangeable
 <----- Interchangeable <-O-> Interchangeable with another part(s)

* Please place an order assy(*)

T2555-G355

4WD JOINT GROUP



A : CS2210(WY8200001~)

No.	Part Number	Description	Qty					I.C	Remark
			A	B	C	D	E		
1	T2555-44551	COUPLING	1						
2	T2555-44572	SHAFT,PROPELLER	1						
3	04612-00200	Stop Ring	2						DIA20
4	T2555-44581	UNIT, BALL BEARING	1						CSFB 204 LLU
5	01123-50825	BOLT WITH WASHER	2						M8XP1.25
5	01123-50828	BOLT	2					<---->	
6	T2555-44512	JOINT v	1						
7	T2555-44591	BOLT, HOLDER	1						M8
8	04512-50080	SPRING WASHER	1						M08
9	T2555-44761	ARM, 4WD	1						
10	05411-00632	PIN, SPRING	1						DIA6.4XL32

----> Old replace New
<----> Interchangeable

<---- New replace Old
<-O-> Interchangeable with another part(s)

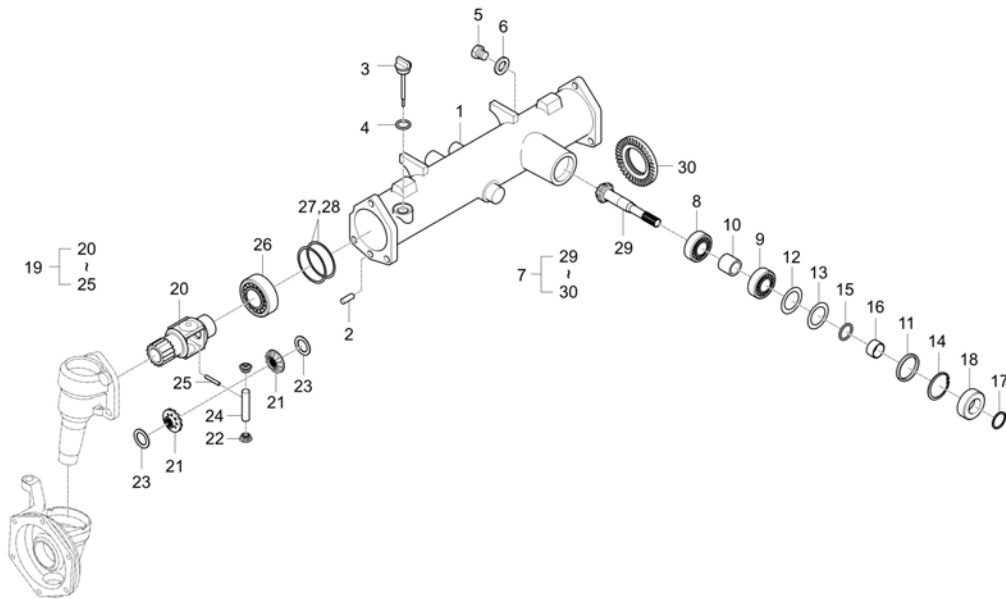
<-X-> Not interchangeable

* Please place an order assy(*)

FRONT AXLE

T2555-G310

FRONT AXLE SUPPORT GROUP



A : CS2210(WY8200001~)

No.	Part Number	Description	Qty					I.C	Remark
			A	B	C	D	E		
1	T2555-42142	SUPPORT, FRONT AXLE RR	1						
2	05012-00825	PIN, PARALLEL	2						DIA8
3	T2555-42171	GAUGE,OIL	1						
4	04811-00180	O RING	1						P18
5	06331-45010	PLUG v	1						M10*1.25
6	04717-01000	WASHER, SEAL	1						M10
7	T2555-42201	ASSY,BEVEL GEAR	1						
8	T2610-24131	OB BEARING,BALL	1						6205R
9	T2555-06205	BALL BEARING	1						#6205, GMB CHINA
10	T2555-42751	BUSHING	1						
11	T2555-42761	COLLAR	1						
12	T2555-42311	SHIM 0.10	1						
13	T2555-42321	SHIM 0.20	1						
14	04611-00520	SNAP RING	1						
15	04811-00210	O RING	1						
16	T2555-42341	BUSHING	1						
17	04612-00250	CIR-CLIP	1						
18	09503-25211	OIL SEAL	1						

----> Old replace New
 <----> Interchangeable

<---- New replace Old
 <-O-> Interchangeable with another part(s)

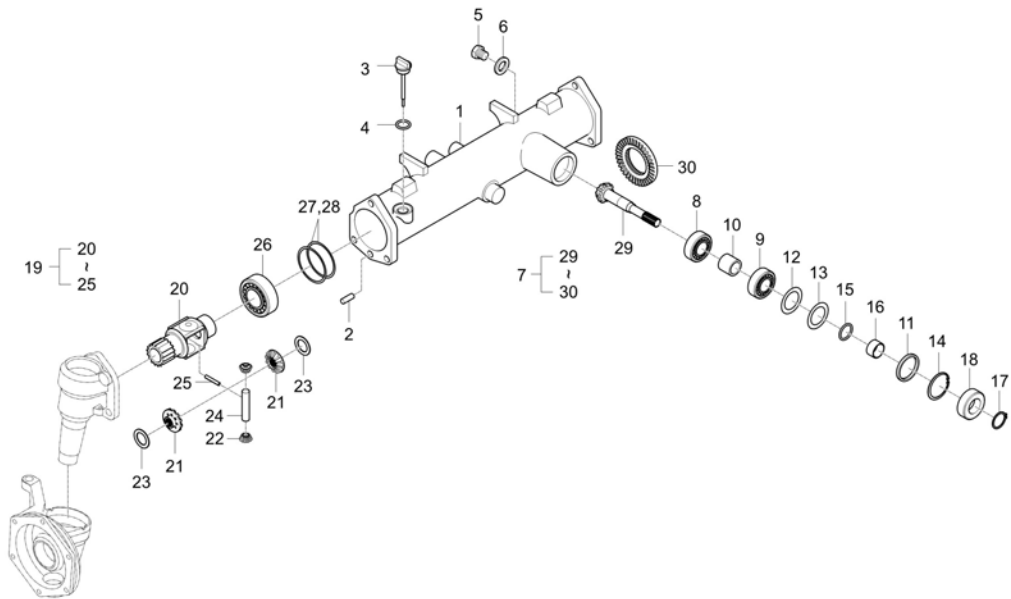
<-X-> Not interchangeable

* Please place an order assy(*)

FRONT AXLE

T2555-G310

FRONT AXLE SUPPORT GROUP



A : CS2210(WY8200001~)

No.	Part Number	Description	Qty					I.C	Remark
			A	B	C	D	E		
19	T2555-43101	FRONT DIFFERENTIAL ASSEMBLY	1						
20	T2555-43121	CASE,FRONT DIFF	1						
21	T2555-43131	PINION	2						
22	T2555-43141	GEAR,DIFF. SIDE	2						
23	T2555-43151	WASHER, THRUST	2						
24	T2555-43111	SHAFT,PINION	1						
25	05411-00436	PIN, SPRING	1						
26	T2555-06209	BALL BEARING	2						#6209, GMB CHINA
27	T2555-43171	SHIM 0.10	1						
28	T2555-43181	SHIM 0.20	1						
29	T2555-42261	PINION, BEVEL 2	1						
30	T2555-42231	GEAR, BEVEL 17	1						

----> Old replace New
 <----> Interchangeable

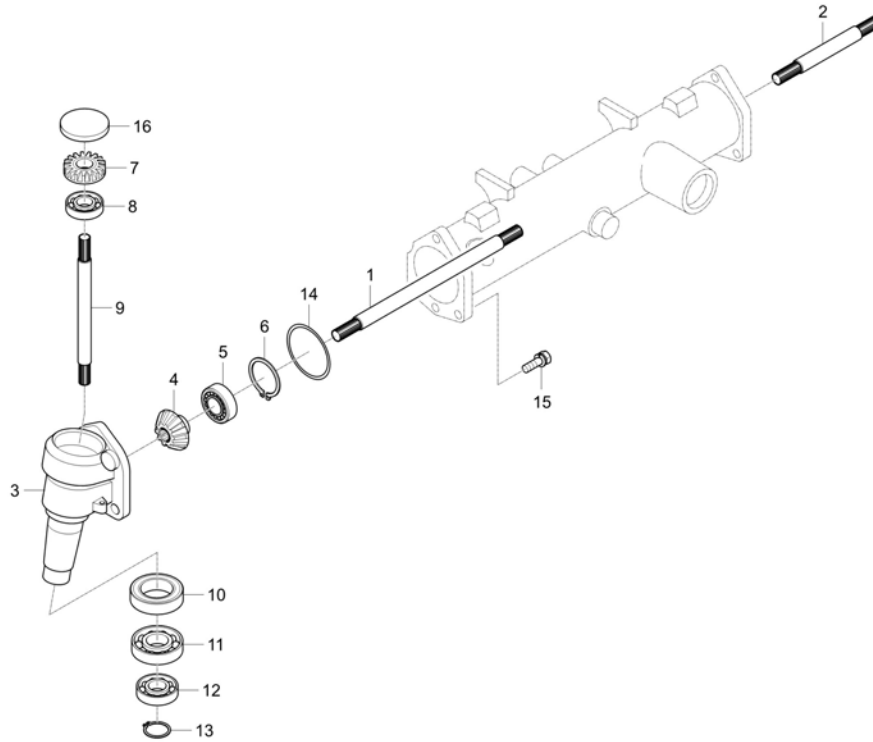
<---- New replace Old
 <-O-> Interchangeable with another part(s)

<-X-> Not interchangeable

* Please place an order assy(*)

T2555-G315

BEVEL GEAR CASE GROUP



A : CS2210(WY8200001~)

No.	Part Number	Description	Qty					I.C	Remark
			A	B	C	D	E		
1	T2555-43211	SHAFT,DIFF. GEAR LH	1						
2	T2555-43221	SHAFT,DIFF. GEAR RH	1						
3	T2555-43311	BEVEL GEAR CASE	2						
3	T2555-43312	BEVEL GEAR CASE	1					<---->	
4	T2555-43242	GEAR,11 BEVEL	1						
5	T2555-06207	BALLBEARING	2						#6207, GMB CHINA
6	04611-00720	RING,SNAP	2						DIA72
7	T2555-43442	GEAR 19,BEVEL	1						
8	08101-06204	BALL BEARING	2						#6204
9	T2555-43411	BEVEL GEAR SHAFT	2						
10	T2555-43451	OIL SEAL	2						
11	08101-06010	BEARING,BALL	2						#6010
12	08101-06007	BEARING BALL v	2						
13	04612-00350	CIR CLIP, EXTERNAL	2						
14	04811-50800	O RING	2						
15	01177-51035	BOLT	6						M10XP1.25 (9T)
16	T2555-43541	SEAL COVER	2						

----> Old replace New
 <----> Interchangeable

<---- New replace Old
 <-O-> Interchangeable with another part(s)

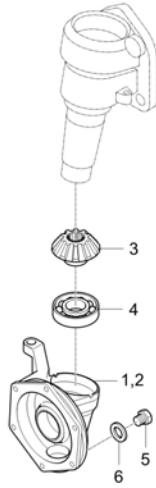
<-X-> Not interchangeable

* Please place an order assy(*)

FRONT AXLE

T2555-G320

FRONT AXLE CASE GROUP



A : CS2210(WY8200001~)

No.	Part Number	Description	Qty					I.C	Remark
			A	B	C	D	E		
1	T2555-43631	CASE, FRONT AXLE LH	1						
2	T2555-43641	CASE, FRONT AXLE RH	1						
3	T2555-43521	GEAR, BEVEL	2						
4	T2555-06006	BALL BEARING	2						#6006, GMB CHINA
5	06331-45010	PLUG v	2						M10*1.25
6	04717-01000	WASHER, SEAL	2						M10

----> Old replace New
 <----> Interchangeable
 * Please place an order assy(*)

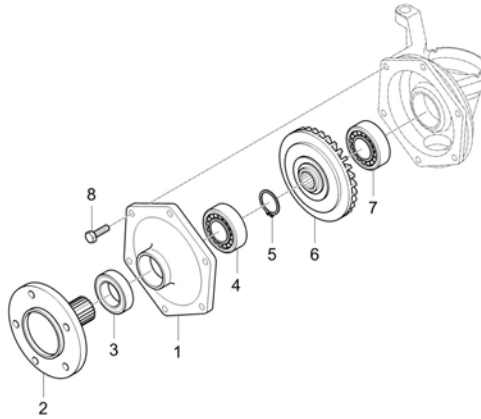
<---- New replace Old
 <-O-> Interchangeable with another part(s)

<-X-> Not interchangeable

FRONT AXLE

T2555-G325

FRONT AXLE GROUP



A : CS2210(WY8200001~)

No.	Part Number	Description	Qty					I.C	Remark
			A	B	C	D	E		
1	T2555-43621	COVER,FRONT AXLE	2						
2	T2555-43712	AXLE FRONT v	2						
3	T2555-29111	OIL SEAL	2						
4	T4682-06206	BALL BEARING dnr v	2						#6206, C&U
5	04612-00300	SNAP RING	2						
6	T2555-43721	GEAR,34BEVEL	2						
7	08101-06205	BEARING BALL dnr v	2						DIA25
8	01123-50820	BOLT, WASHER v	12						M8XP1.25

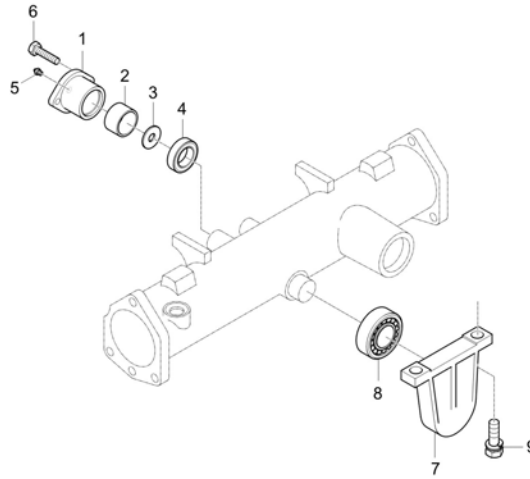
----> Old replace New <---- New replace Old <-X-> Not interchangeable
 <----> Interchangeable <-O-> Interchangeable with another part(s)

* Please place an order assy(*)

FRONT AXLE

T2555-G330

FRONT AXLE BRACKET GROUP



A : CS2210(WY8200001~)

No.	Part Number	Description	Qty					I.C	Remark
			A	B	C	D	E		
1	T2555-41612	COVER, ROLLING AXLE	1						
2	T2555-41621	BUSH	1						DU
3	T2555-41631	COLLAR	1						
4	09230-30425	OIL SEAL	1						
5	06613-10010	NIPPLE, GREASE	1						A-M6F
6	01177-51030	BOLT	2						M10XP1.25 (9T)
7	T2555-41661	BRACKET,REAR	1						
8	T2555-66207	BALL BEARING	1						#6207Z, GMB CHINA
9	01133-51240	BOLT, WASHER	2						M12XP1.25

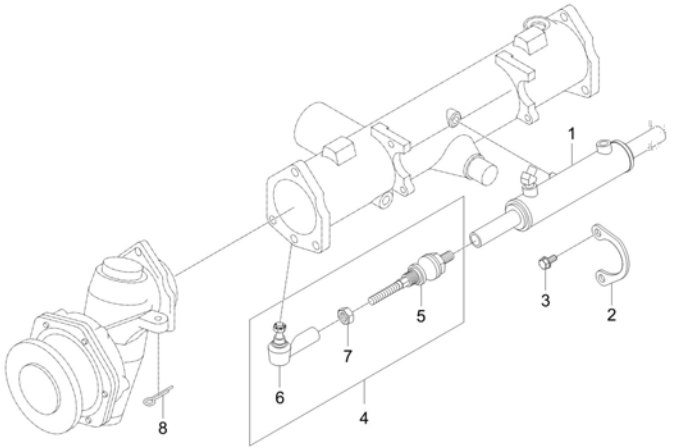
----> Old replace New
 <----> Interchangeable
 * Please place an order assy(*)

<---- New replace Old
 <-O-> Interchangeable with another part(s)

<-X-> Not interchangeable

T2555-G335

STEERING CYLINDER GROUP



A : CS2210(WY8200001~)

No.	Part Number	Description	Qty					I.C	Remark
			A	B	C	D	E		
1	T2555-45302	ASSY,STEERING CYLINDER v	1						
2	T2555-45211	BRACKET, CYLINDER	2						
3	01123-50820	BOLT, WASHER v	4						M8XP1.25
4	T2555-45402	BALL JOINT ASSY v	2						
5	T2555-45422	RACK END ASSY v	1						
6	T2555-45432	TIE-ROD ASSY	1						
7	02176-50140	NUT	1						M14XP1.5
8	05511-50325	PIN, SPLIT v	2						

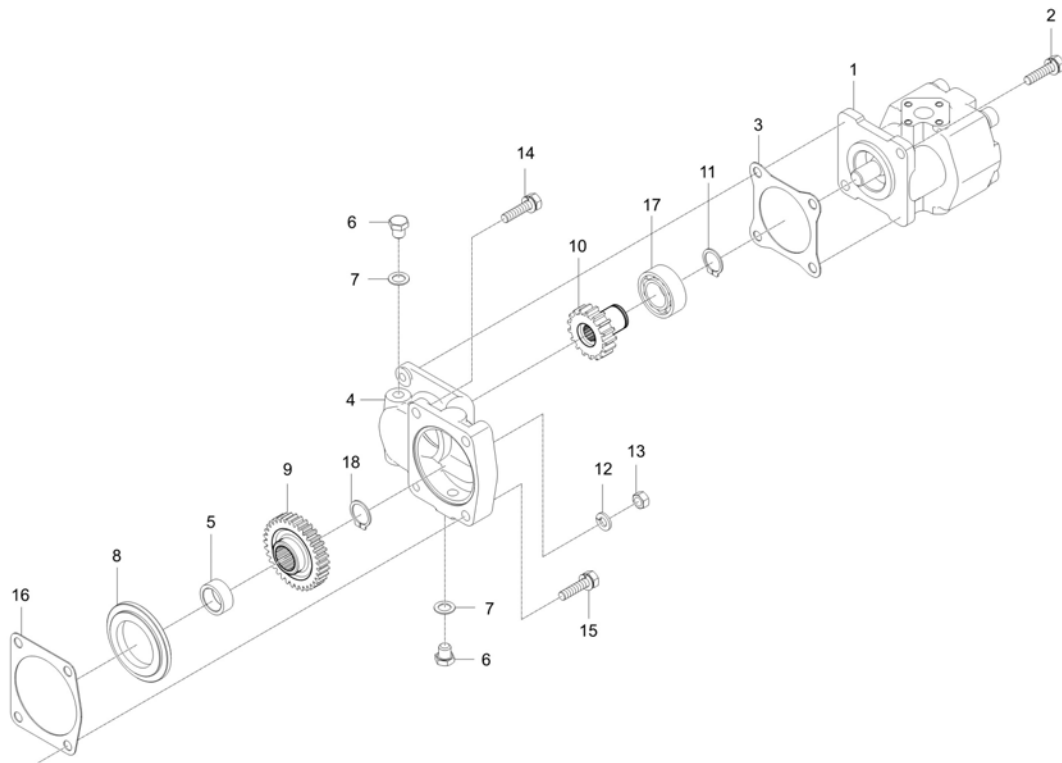
----> Old replace New
 <----> Interchangeable
 * Please place an order assy(*)

<---- New replace Old
 <-O-> Interchangeable with another part(s)

<-X-> Not interchangeable

TB2-G412001

GEAR PUMP GROUP



A : CS2210(WY8200001~)

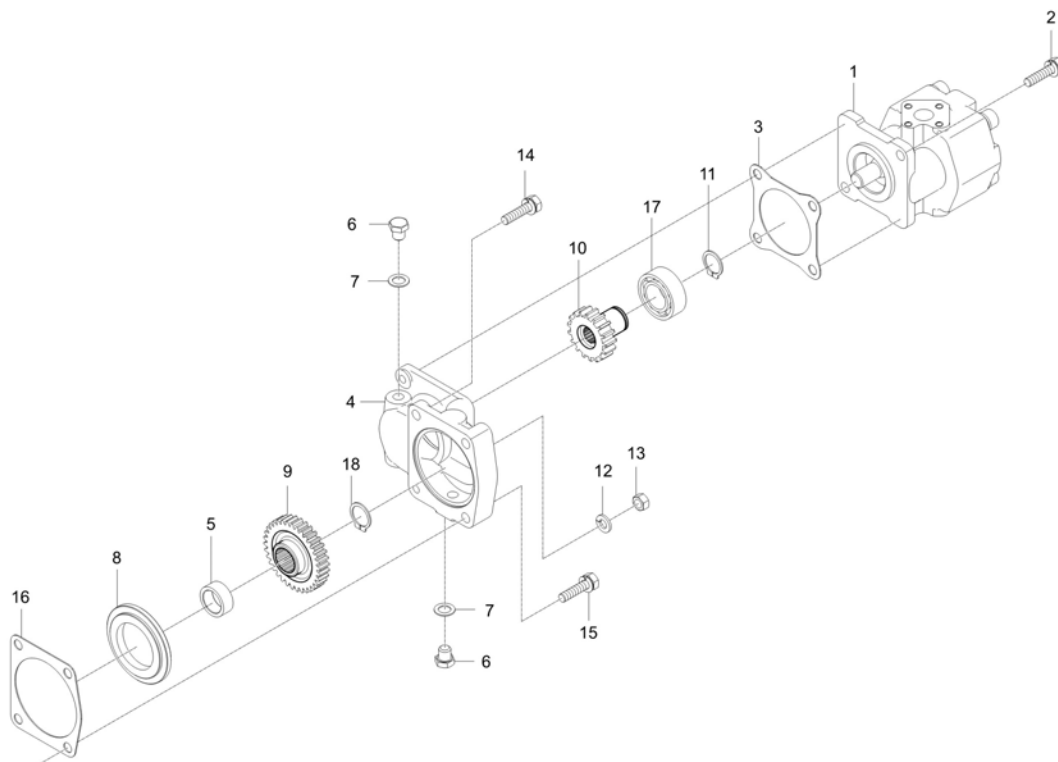
No.	Part Number	Description	Qty					I.C	Remark
			A	B	C	D	E		
1	TB24-0050A	ASSY PUMP, GEAR	1						
1	TB24-0056A	PUMP, GEAR	1					<--O-->	
2	01123-50822	WASHER BOLT	2						M8XP1.25
3	T2380-87132	GASKET	1						T1.0
4	T2368-76001	HOLDER, GEAR PUMP	1						
5	T2350-76041	SPACER, GEAR PUMP	1						DIA27.2*3.5
6	06331-35010	PLUG	2						M6*P1.0
7	04714-00100	PACKING	2						
8	E5205-36481	BUSH	1						DIA75
9	T2350-76021	GEAR, 29 PUMP	1						
10	T2350-76031	SHAFT, GEAR 18 GEAR PUMP	1						
11	04612-00190	SNAP RING	1						
12	04512-50080	SPRING WASHER	1						M08
13	02156-50080	NUT v	1						M8XP1.25
14	01123-50822	WASHER BOLT	1						M8XP1.25
15	01123-50835	BOLT, WITH WASHER	2						M8X1.25
16	E5760-36332	GASKET, FUEL CAMSHAFT COVER	1						(t 1.0)
17	08241-05204	BALL BEARING	1						

----> Old replace New
 <----> Interchangeable

<---- New replace Old
 <-O-> Interchangeable with another part(s)

<-X-> Not interchangeable

* Please place an order assy(*)



A : CS2210(WY8200001~)

No.	Part Number	Description	Qty					I.C	Remark
			A	B	C	D	E		
18	04612-00200	Stop Ring	1						DIA20

----- Old replace New
 <----- Interchangeable
 * Please place an order assy(*)

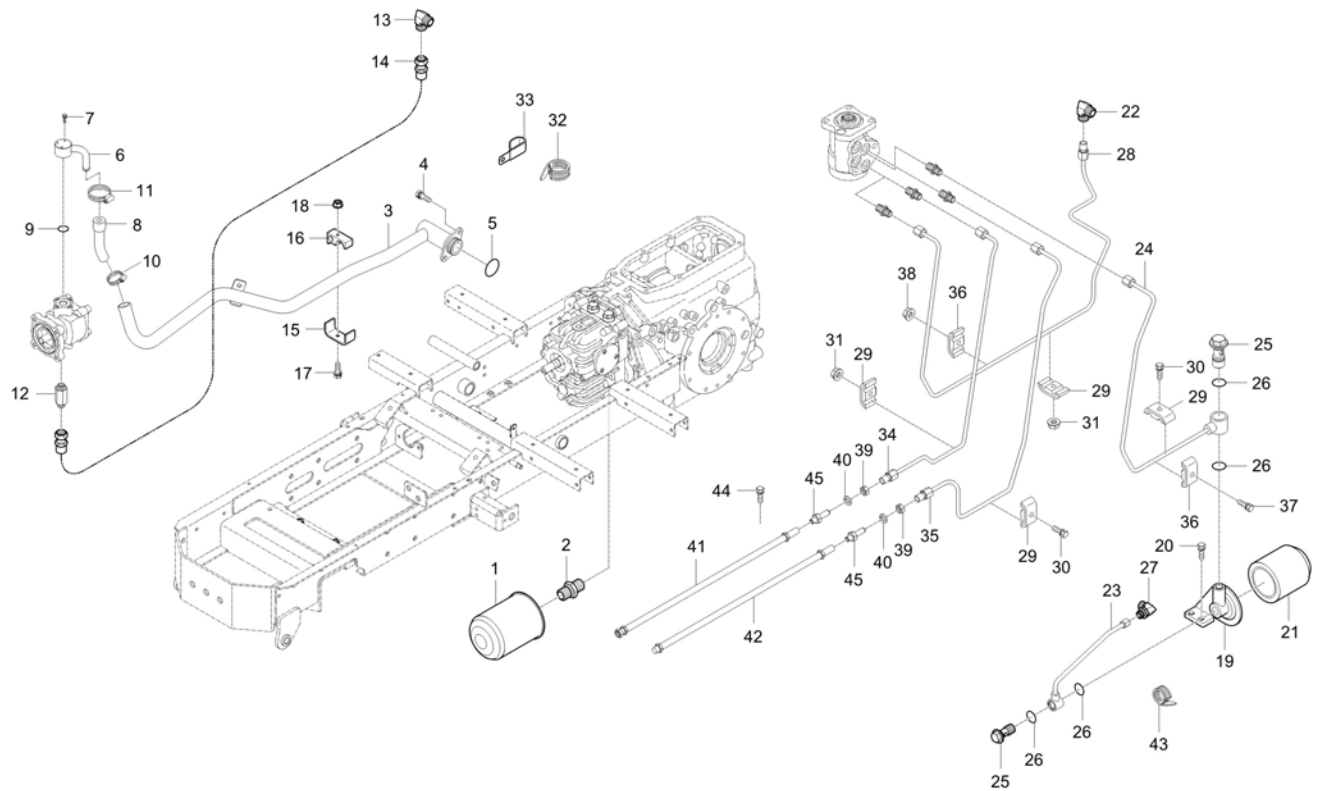
<---- New replace Old
 <-O-> Interchangeable with another part(s)

<-X-> Not interchangeable

HYDRAULIC

TB2-G431002

FILTER AND PIPE GROUP



A : CS2210(WY8200001~)

No.	Part Number	Description	Qty					I.C	Remark
			A	B	C	D	E		
1	T2555-38031	FILTER, OIL	1						
2	T2555-38041	CONNECTION	1						
3	TB24-0037A	TUBE, INLET	1						
4	01123-50816	Hex Head Cap Screw	2						M8XP1.25
5	04811-00290	O RING	1						P29
6	TB24-0046A	TUBE, SUCTION-2	1						
6	TB24-0057A	TUBE, SUCTION-2	1						<--O-->
7	01023-50645	BOLT, WASHER v	3						M6XP1.0
8	TB24-0036A	HOSE, SUCTION	1						
9	04810-00200	O RING v	1						DIA19.8
9	04817-00200	O RING	1						<-----> DIA19.8
10	09318-87032	HOSE CLAMP	1						
11	09318-87040	CLMAP, HOSE	1						
12	TB34-0177A	CONNECTOR	1						
12	TB24-0055A	CONNECTOR	1						<--O-->
13	T2555-38402	ELBOW v	1						
14	TB24-0038A	HOSE, HYD-P	1						
15	T2555-38201	CLAMP	1						

----> Old replace New
 <----> Interchangeable

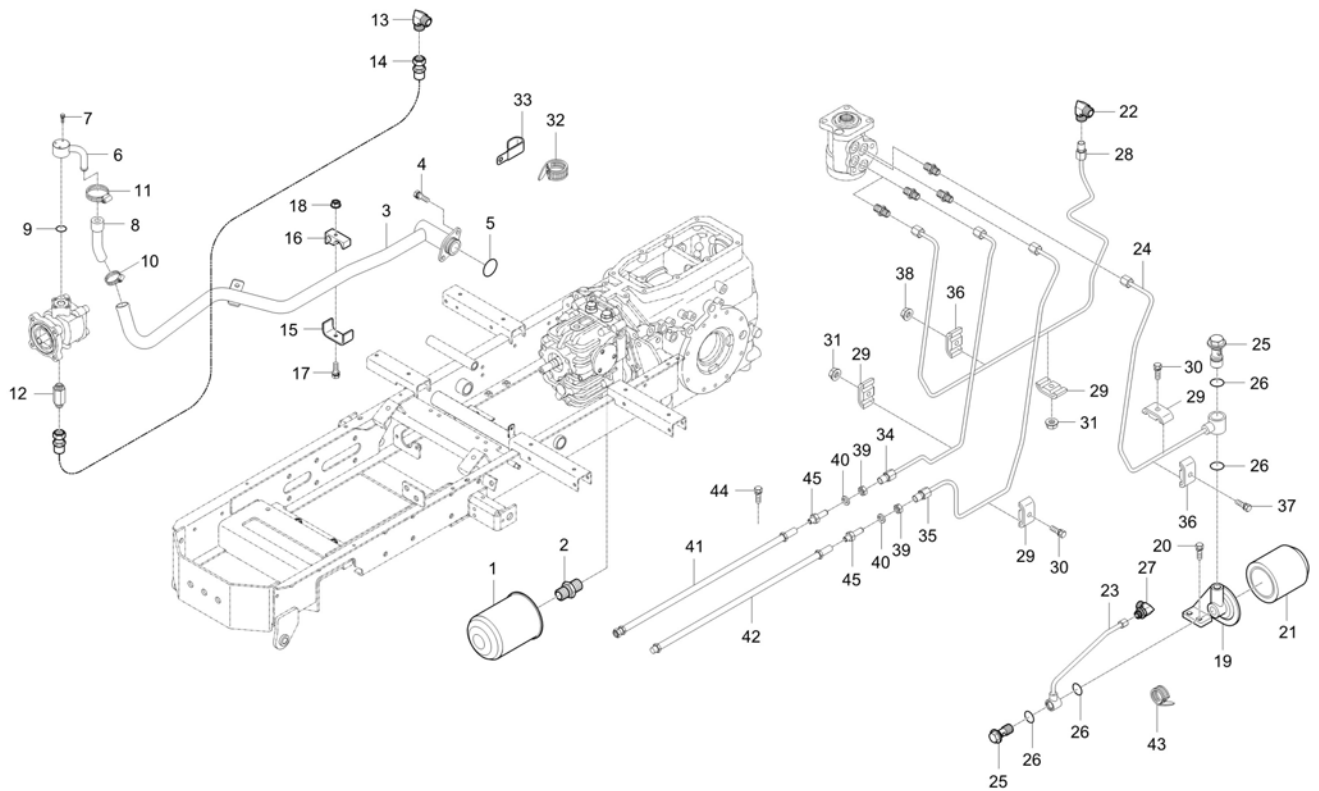
<---- New replace Old
 <-O-> Interchangeable with another part(s)

<-X-> Not interchangeable

* Please place an order assy(*)

TB2-G431002

FILTER AND PIPE GROUP



A : CS2210(WY8200001~)

No.	Part Number	Description	Qty					I.C	Remark
			A	B	C	D	E		
16	T2555-38212	HOLDER, TUBE	1						
17	01123-50850	Hex Head Cap Screw with Spring Washer 8mmx55mm v	1						M8XP1.25
18	02761-50080	NUT, FLANGE v	1						
19	T2555-38091	BRACKET; HST FILTER	1						
20	01123-50825	BOLT WITH WASHER	2						M8XP1.25
21	T2555-38021	FILTER. HST	1						
22	T4420-37361	ELBOW	1						
23	T2555-38222	TUBE, HST CHARGE	1						
24	T2555-36042	TUBE T, HYDRAULIC	1						
25	T4620-37092	JOINT BOLT v	2						
25	TC24-0238A	BOLT, JOINT	2					<---->	
26	04810-00200	O RING v	4						DIA19.8
26	04817-00200	O RING	4					<---->	DIA19.8
27	T2555-37202	ELBOW v	1						
28	T2555-36011	HYD. TUBE P	1						
29	T2555-36101	HOLDER, TUBE	3						
30	01754-50630	FLANGE BOLT	2						M6XP1.0
31	02751-50060	NUT, FLANGE	1						M6XP1.0

----> Old replace New
<----> Interchangeable

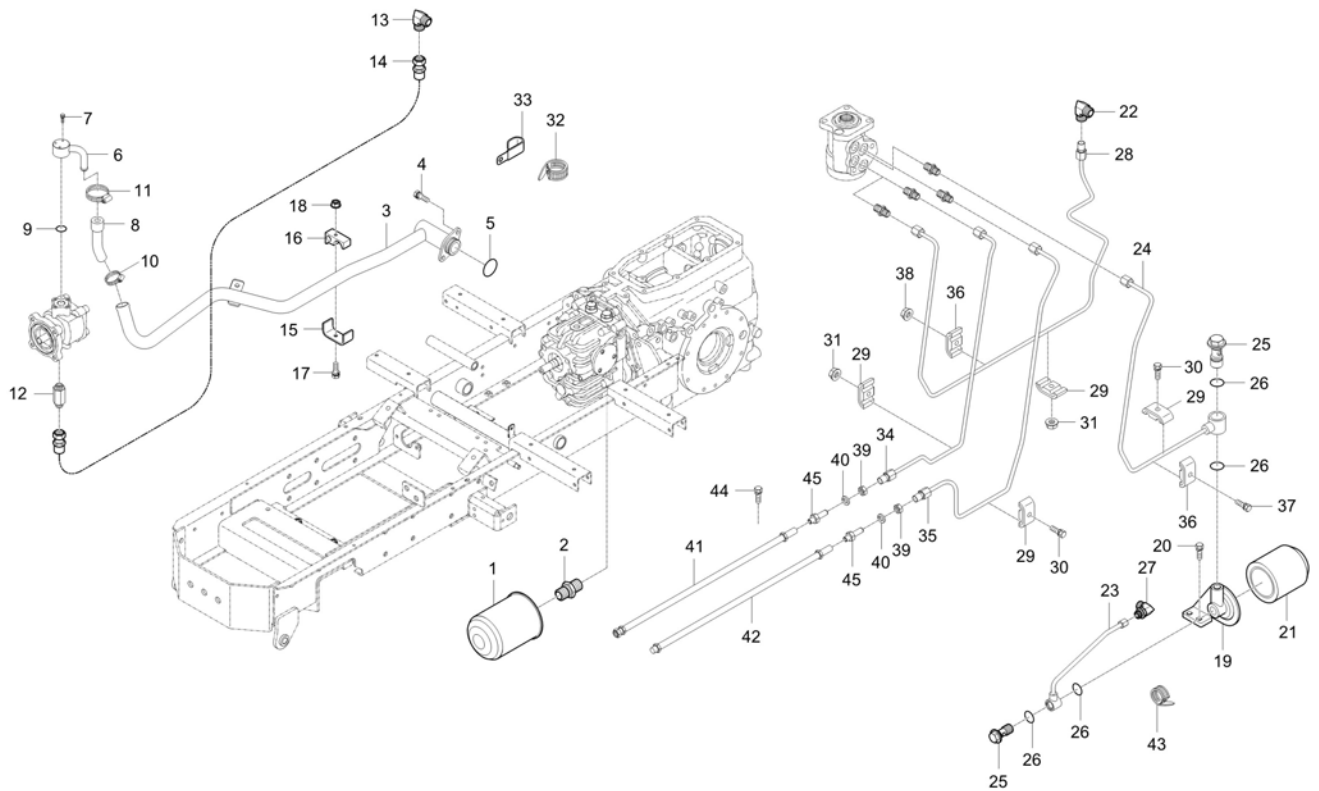
<---- New replace Old
<-O-> Interchangeable with another part(s)

<-X-> Not interchangeable

* Please place an order assy(*)

TB2-G431002

FILTER AND PIPE GROUP



A : CS2210(WY8200001~)

No.	Part Number	Description	Qty					I.C	Remark
			A	B	C	D	E		
32	T2185-82561	BAND, CORD v	2						L200
33	T2555-38301	CLAMP	1						
34	T2555-36023	TUBE L, HYDRAULIC v	1						
35	T2555-36033	TUBE R, HYDRAULIC	1						
36	T2555-36101	HOLDER, TUBE	2						
37	01754-50630	FLANGE BOLT	1						M6XP1.0
38	02751-50060	NUT, FLANGE	1						M6XP1.0
39	02176-50140	NUT	2						M14XP1.5
40	04512-50140	SPRING WASHER	2						M14
41	TB24-0034B	HOSE, STEERING L	1						
42	TB24-0035B	HOSE, STEERING R	1						
43	T2185-82561	BAND, CORD v	3						L200
44	01754-50625	BOLT, FLANGE	1						M6XP1.0
45	TB24-0052A	CONNECTOR	2						M14xP1.5-PF1/4

----> Old replace New
 <----> Interchangeable

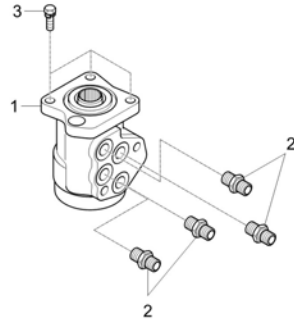
<---- New replace Old
 <-O-> Interchangeable with another part(s)

<-X-> Not interchangeable

* Please place an order assy(*)

T2555-G615

POWER STEERING UNIT GROUP



A : CS2210(WY8200001~)

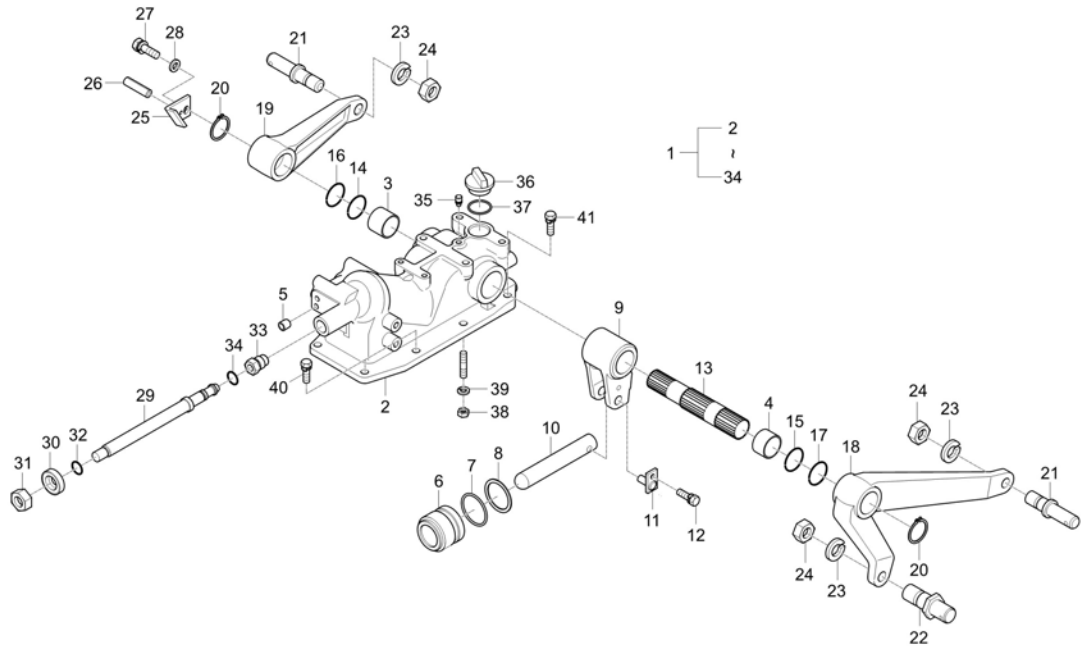
No.	Part Number	Description	Qty					I.C	Remark
			A	B	C	D	E		
1	T2555-36001	UNIT, POWER STEERING	1						
2	T2555-36201	CONNECTION	4						
3	01133-51025	BOLT	3						M10XP1.25

----> Old replace New <---- New replace Old <-X-> Not interchangeable
 <---> Interchangeable <-O-> Interchangeable with another part(s)

* Please place an order assy(*)

T2555-G620

HYD.CYLINDER GROUP



A : CS2210(WY8200001~)

No.	Part Number	Description	Qty					I.C	Remark
			A	B	C	D	E		
1	T2555-37006	ASSY,HYD CYLINDER	1						
2	T2555-37113	BODY, POWERLIFT	1						
3	08511-03530	BUSH	1						
4	08511-04030	BUSH,DU	1						
5	15521-9602-2	PLUG	3						-
6	T2555-37212	PISTON	1						
7	04810-00600	O RING	1						
8	T2555-37221	BACK-UP RING	1						P60
9	T2555-37232	CRANK	1						
10	T2555-37241	CONNECTING ROD	1						
11	T2555-37251	PIN	1						
12	01123-50816	Hex Head Cap Screw	1						M8XP1.25
13	T2555-37121	SHAFT HYD ARM	1						
14	T2555-37261	FRICTION SPRING	1						
15	T2555-37271	FRICTION SPRING	1						
16	04811-50350	O RING	1						
17	04811-50450	O RING	1						
18	T2555-37281	ARM-LIFT(L)	1						

----> Old replace New
 <----> Interchangeable

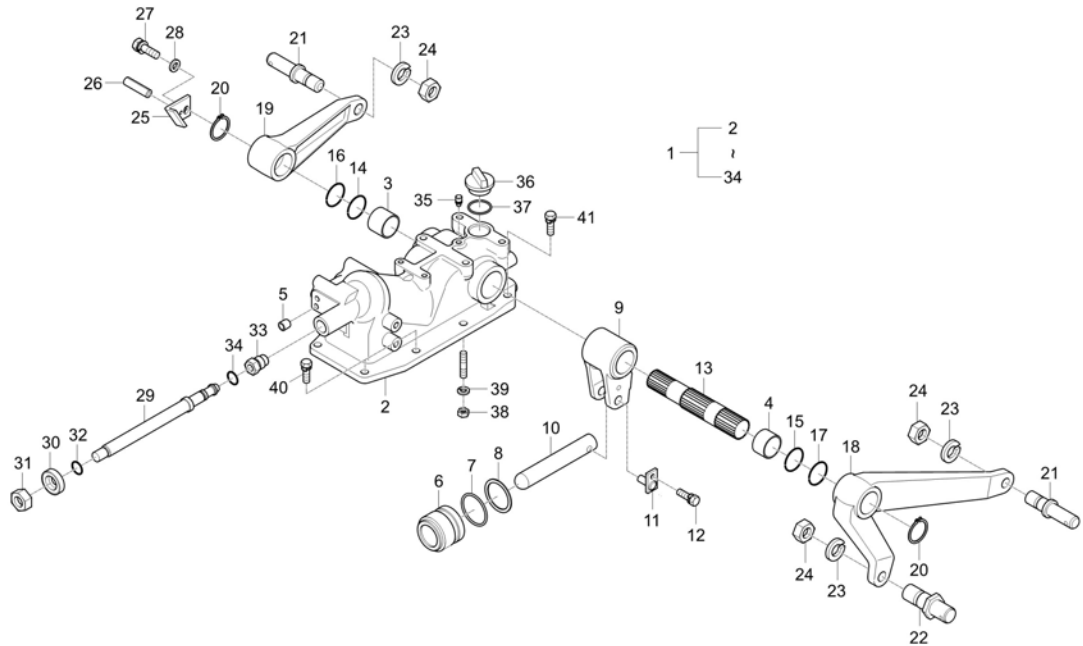
<---- New replace Old
 <-O-> Interchangeable with another part(s)

<-X-> Not interchangeable

* Please place an order assy(*)

T2555-G620

HYD.CYLINDER GROUP



A : CS2210(WY8200001~)

No.	Part Number	Description	Qty					I.C	Remark
			A	B	C	D	E		
19	T2555-37291	ARM-LIFT(R)	1						
20	04612-00350	CIR CLIP, EXTERNAL	2						
21	T2555-37191	PIN	2						
22	T2555-37182	PIN	1						
23	04512-50160	WASHER, SPRING	3						M16
24	02176-50160	NUT v	3						M16*P1.5
25	T2555-37132	PLATE v	1						
26	05411-00520	PIN,SPRING	1						
27	01123-50820	BOLT, WASHER v	1						M8XP1.25
28	04012-50080	WASHER, PLAIN	1						M8
29	T2555-37442	FLOW CONTROL VALVE	1						
30	T2555-37452	GRIP	1						
31	02116-50100	NUT	1						M10XP1.25
32	04810-00070	O RING	1						
33	T2555-37461	GUIDE	1						
34	04811-00120	O RING	1						
35	T2555-37311	BREATHER	1						
36	38240-2141-2	USE 38240-21412	1						

----> Old replace New
 <----> Interchangeable

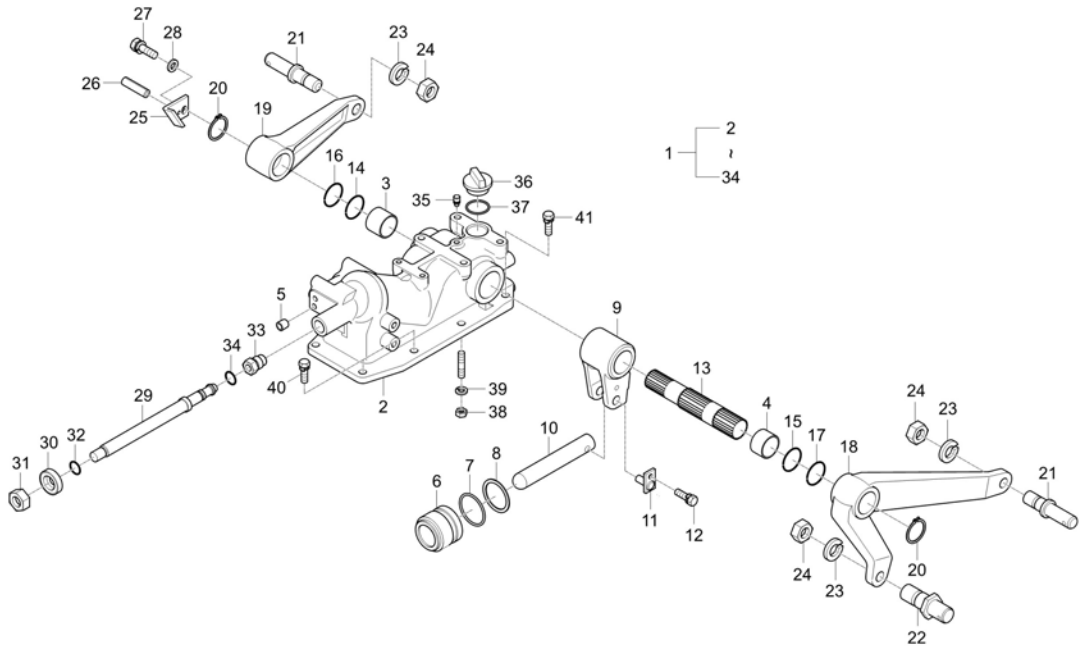
<---- New replace Old
 <-O-> Interchangeable with another part(s)

<-X-> Not interchangeable

* Please place an order assy(*)

T2555-G620

HYD.CYLINDER GROUP



A : CS2210(WY8200001~)

No.	Part Number	Description	Qty					I.C	Remark
			A	B	C	D	E		
37	04811-50300	O RING v	1						G30
38	02176-50100	NUT v	2						M10XP1.25
39	04512-50100	SPRING WASHER	2						M10
40	01133-51030	WITH WASHER BOLT	4						M10XP1.25
41	01133-51035	WASHER BOLT	2						M10X1.25

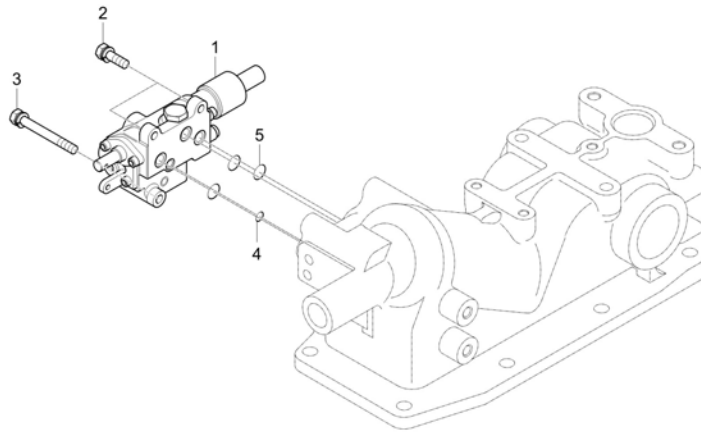
----> Old replace New
 <----> Interchangeable
 * Please place an order assy(*)

<---- New replace Old
 <-O-> Interchangeable with another part(s)

<-X-> Not interchangeable

T2555-G635

VALVE,CONTROLLERGROUP



A : CS2210(WY8200001~)

No.	Part Number	Description	Qty					I.C	Remark
			A	B	C	D	E		
1	T2555-37303	VALVE, CONTROL	1						
2	01123-50825	BOLT WITH WASHER	2						M8XP1.25
3	01123-50865	BOLT, WASHER	1						
4	300002	O-RING obs v	1						BP7
5	300022	O-RING	3						

----> Old replace New
 <----> Interchangeable

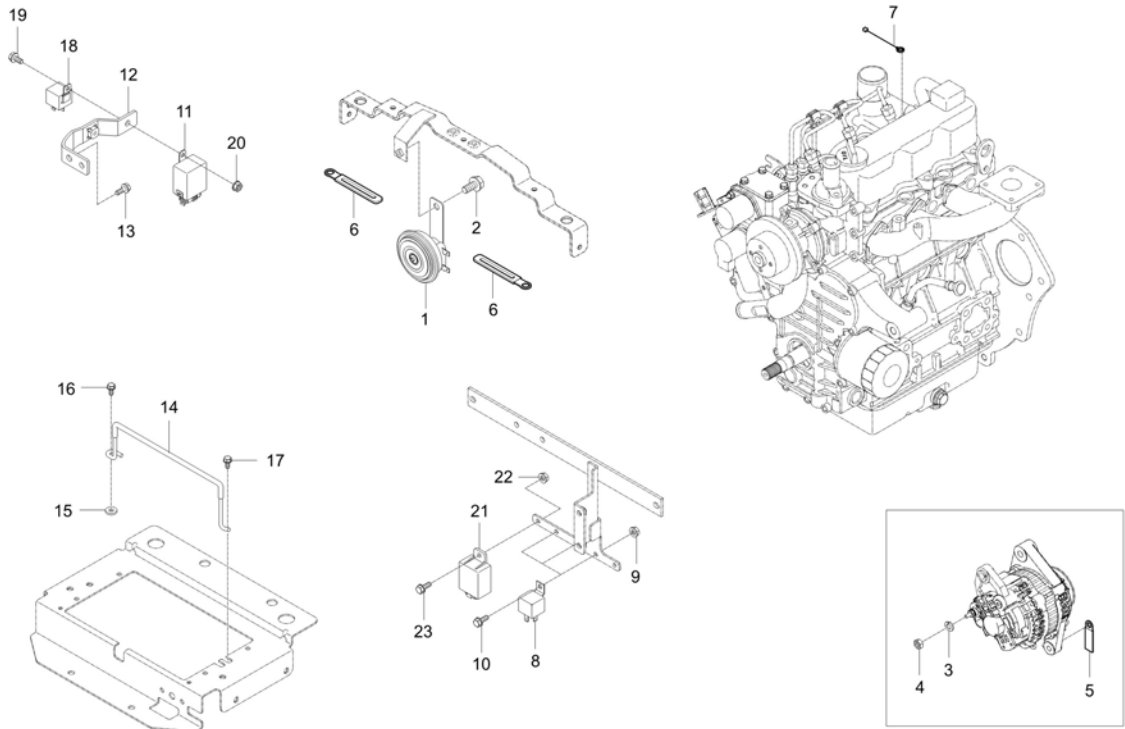
<---- New replace Old
 <-O-> Interchangeable with another part(s)

<-X-> Not interchangeable

* Please place an order assy(*)

TB2-G571206

BONNET ELECTRICAL SYSTEM GROUP



A : CS2210(WY8200001~)

No.	Part Number	Description	Qty					I.C	Remark
			A	B	C	D	E		
1	T4144-75952	ASSY HORN	1						70V 10A, 420Hz, 110
2	01754-50612	BOLT, FLANGE	1						M6*1.0
3	04512-50050	WASHER, SPRING	1						M5
4	02054-50050	NUT v	1						M5*P1.0
5	37155-3447-1	CLAMP,CORD	1						-
6	37150-3447-1	WIR'G CLAMP	4						T0.5
7	T4620-69472	WIRE HARNESS 3	1						
8	T5535-69961	RELAY,5P	3						Bracket
9	02751-50060	NUT, FLANGE	4						M6XP1.0
10	01754-50612	BOLT, FLANGE	4						M6*1.0
11	T2555-69052	PREHEATER, CONTROLLER v	1						
12	TB25-0037A	ASSY BRACKET, RELAY	1						
13	01754-50616	BOLT, FLANGE v	1						M6*P1.0
14	T2555-50265	ROD, BATTERY FIXING	1						<O>6
15	04014-50080	WASHER, PLAIN	1						
16	01754-50820	BOLT, FLANGE	1						M8XP1.25
17	01754-50812	BOLT, FLANGE	1						M8XP1.25
18	T5535-69951	RELAY 4P v	1						Bracket

----> Old replace New
 <----> Interchangeable

<---- New replace Old
 <-O-> Interchangeable with another part(s)

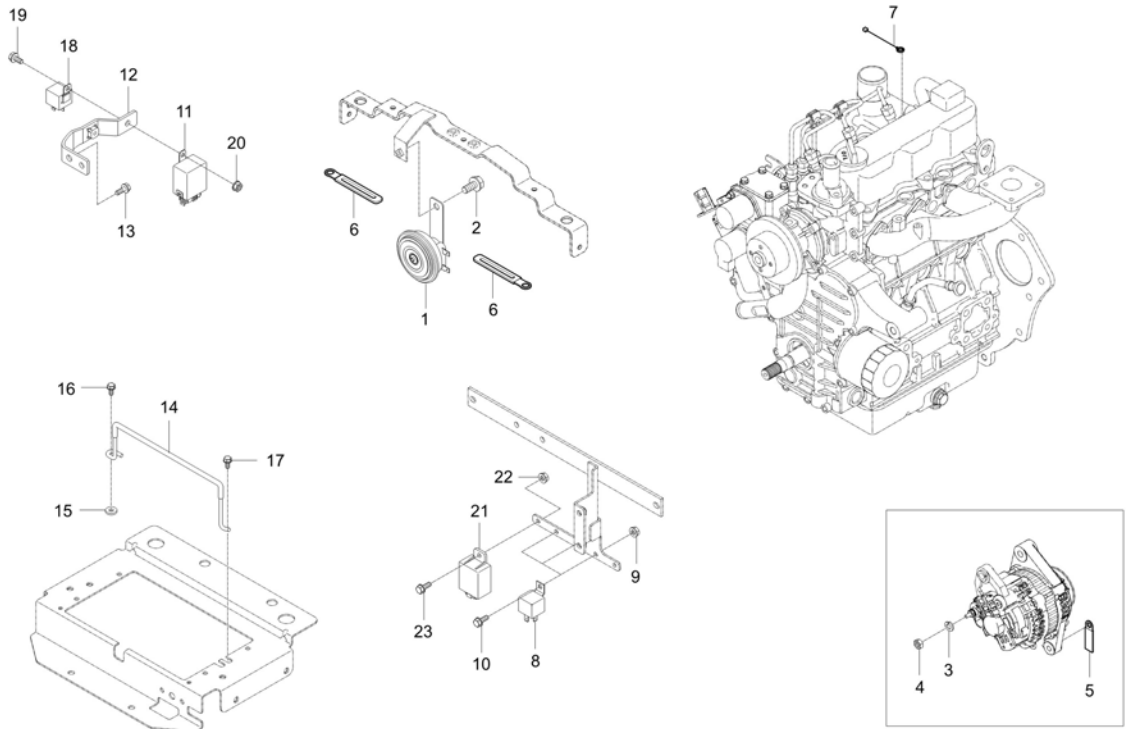
<-X-> Not interchangeable

* Please place an order assy(*)

ELECTRICAL

TB2-G571206

BONNET ELECTRICAL SYSTEM GROUP



A : CS2210(WY8200001~)

No.	Part Number	Description	Qty					I.C	Remark
			A	B	C	D	E		
19	01754-50620	BOLT, FLANGE	1						
20	02751-50060	NUT, FLANGE	1						M6XP1.0
21	TB25-0035A	ASSY RELAY, TIMER	1						
22	02751-50060	NUT, FLANGE	1						M6XP1.0
23	01754-50612	BOLT, FLANGE	1						M6*1.0

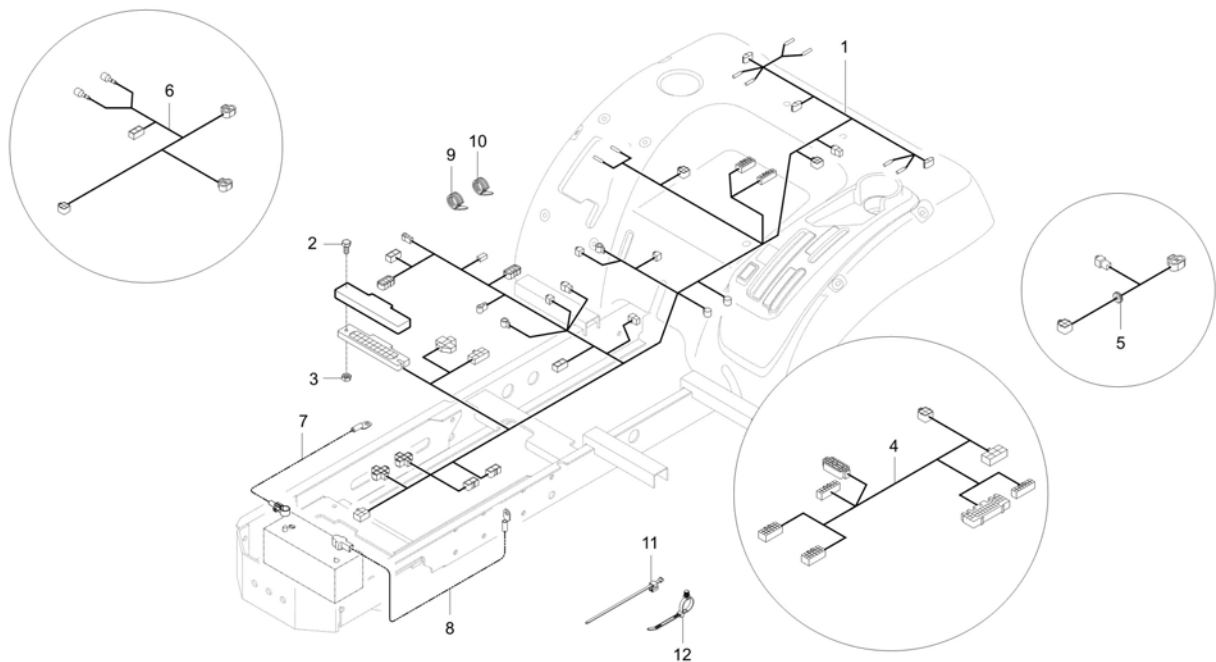
----> Old replace New
 <----> Interchangeable
 * Please place an order assy(*)

<---- New replace Old
 <-O-> Interchangeable with another part(s)

<-X-> Not interchangeable

TB2-G575203

WIRE HARNESS GROUP



A : CS2210(WY8200001~)

No.	Part Number	Description	Qty					I.C	Remark
			A	B	C	D	E		
1	TB25-0022B	ASSY WIRE HARNESS, MAIN-USA, NON NTE	1						
1	TB25-0022C	ASSY WIRE HARNESS, MAIN-USA, NON NTE	1					<-----	
2	03027-50516	OB-BOLT	2						
3	02054-50050	NUT v	1						M5*P1.0
4	TB25-0012D	ASSY WIRE HARNESS, PANEL	1						
5	T2555-69444	ASSY WIRE HARNESS,FENDER	1						
6	T2555-68882	HARNESS ASSEMBLY	1						
7	TB25-0036B	ASSY WIRE HARNESS, BATTERY EARTH	1						
8	TB25-0024A	ASSY WIRE HARNESS, BATTERY POS	1						
9	T2185-82551	CABLE TIE, BLACK / 300	20						L290
10	T2185-82561	BAND, CORD v	20						L200
11	T5270-82551	CLAMP	5						
12	T2198-82571	BAND CABLE	4						

----> Old replace New
<----> Interchangeable

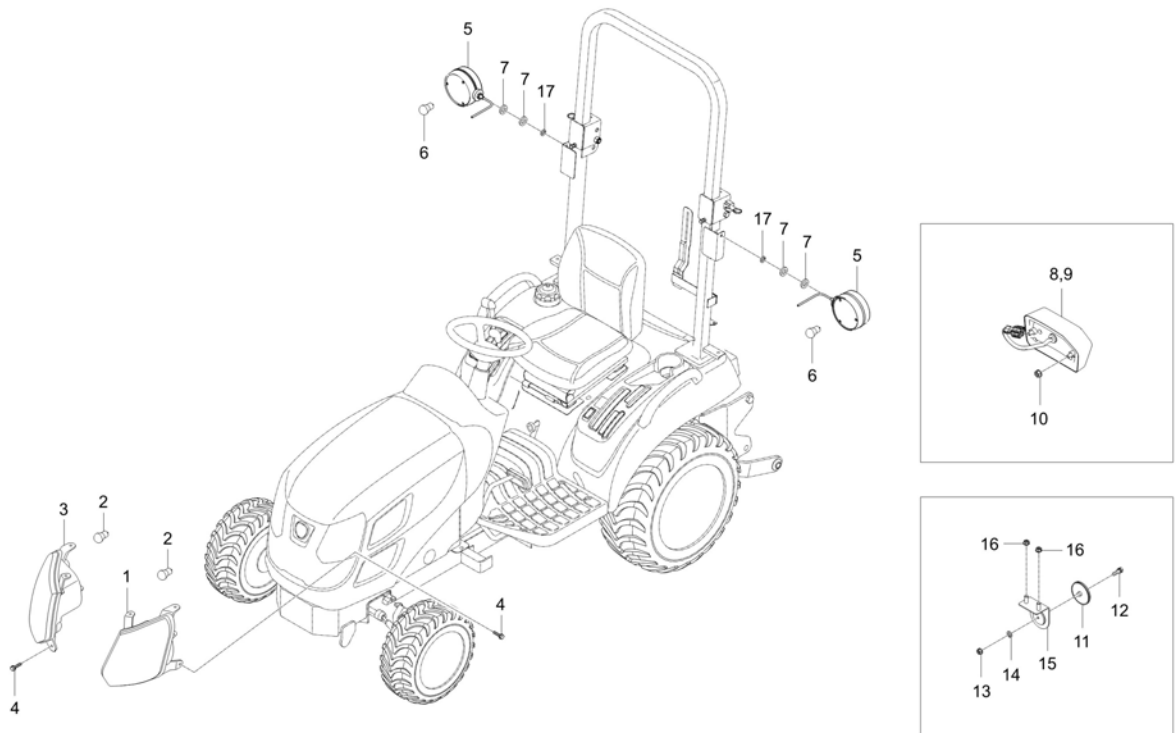
<---- New replace Old
<-O-> Interchangeable with another part(s)

<-X-> Not interchangeable

* Please place an order assy(*)

T2555-G762

LIGHT GROUP



A : CS2210(WY8200001~)

No.	Part Number	Description	Qty					I.C	Remark
			A	B	C	D	E		
1	T2555-69553	ASSY LAMP,HEAD LH	1						
2	T2555-69571	BULB	1						H7 12V 55W
3	T2555-69563	ASSY LAMP,HEAD RH	1						
4	01754-50616	BOLT, FLANGE v	8						M6*P1.0
5	TB25-0009A	ASSY LAMP, TURN SIGNAL	2						
6	TB25-0010A	BULB-27W	1						
7	04015-50100	WASHER, PLAIN	4						M10
8	T2555-69712	ASSY TAIL LAMP LEFT LED v	1						
9	T2555-69722	ASSY TAIL LAMP(R)	1						
10	02751-50060	NUT, FLANGE	4						M6XP1.0
11	T5638-85721	ASSY REFLECTOR dnr v	2						
12	03024-50410	SCREW v	2						M*P0.7
13	02054-50040	NUT	2						M4*P0.7
14	04512-50040	WASHER, SPRING	2						M4
15	T4121-95321	PLATE, REFLECTION	2						
16	02763-50080	FLANGE NUT	4						M8XP1.25
17	04512-50100	SPRING WASHER	2						M10

----> Old replace New
<----> Interchangeable

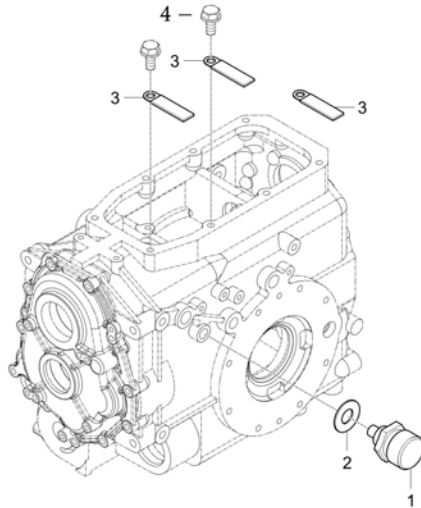
<---- New replace Old
<-O-> Interchangeable with another part(s)

<-X-> Not interchangeable

* Please place an order assy(*)

T2555-G721

MISSION ELECTRICAL SYSTEM GROUP



A : CS2210(WY8200001~)

No.	Part Number	Description	Qty					I.C	Remark
			A	B	C	D	E		
1	T2555-69401	ASSY SWITCH SAFETY v	1						
2	T4682-43571	COLLAR 1.0T, ADJUSTING	1						T1.0
3	37155-3447-1	CLAMP,CORD	3						-
4	01774-51016	BOLT,FLANGE	1						

----> Old replace New

<----> Interchangeable

* Please place an order assy(*)

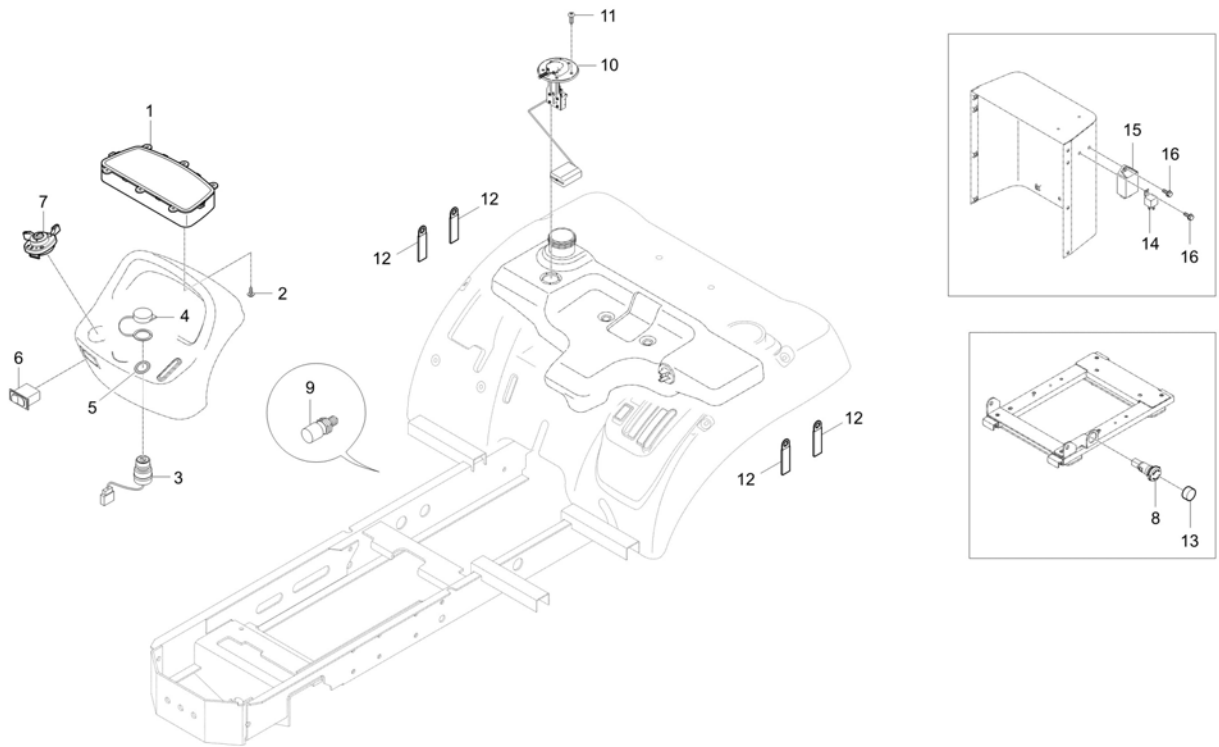
<---- New replace Old

<-O-> Interchangeable with another part(s)

<-X-> Not interchangeable

TB2-G573102

BODY ELECTRICAL SYSTEM GROUP



A : CS2210(WY8200001~)

No.	Part Number	Description	Qty					I.C	Remark
			A	B	C	D	E		
1	TB25-0025B	ASSY PANEL, INSTRUMENT	1						
2	38240-1883-1	TAPPING SCREW dnr v	6						M4X16
3	T5520-75171	ASSY SWITCH, STARTER v	1						
4	T4837-77774	COVER, STARTER SWITCH PROOF WATER	1						
5	T5248-52102	LABEL, START SWITCH	1						
6	T4930-69221	SWITCH, HAZARD	1						
7	T2555-69023	ASSY COMBINATION SWITCH v	1						
8	T4935-92502	POWER OUTLET ASS'Y(12V)	1						
9	T4930-69881	SWITCH, SAFETY STARTER	1						
10	TB35-0041A	ASSY SENDER, FUEL	1						
11	03024-50410	SCREW v	5						M*P0.7
12	32240-3446-1	WIR'G CLAMP	4						
13	T2555-92601	TUBE	1						
14	T5535-69961	RELAY,5P	1						Bracket
15	T2198-31052	FLASH UNIT	1						
16	01754-50612	BOLT, FLANGE	2						M6*1.0

----> Old replace New
 <----> Interchangeable

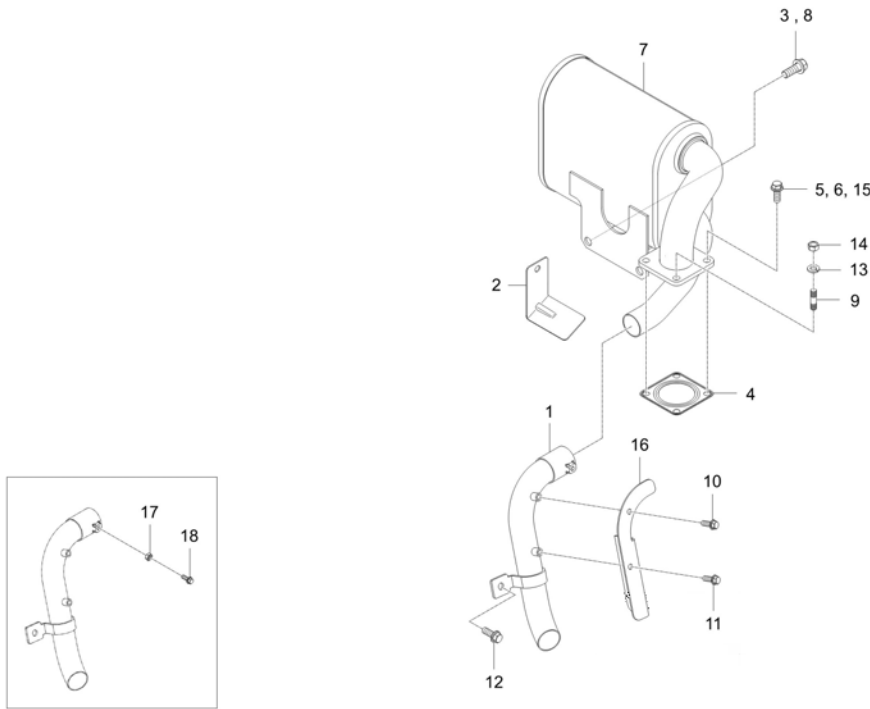
<---- New replace Old
 <-O-> Interchangeable with another part(s)

<-X-> Not interchangeable

* Please place an order assy(*)

TB2-G612001

MUFFLER GROUP



A : CS2210(WY8200001~)

No.	Part Number	Description	Qty					I.C	Remark
			A	B	C	D	E		
1	TB36-0894A	PIPE, MUFFLER	1						
2	TB36-0898A	COVER, PROTECTING-2	1						T1.6
3	01133-51025	BOLT	1						M10XP1.25
4	T2555-12501	GASKET	1						
5	01123-50820	BOLT, WASHER v	1						M8XP1.25
6	01123-50820	BOLT, WASHER v	1						M8XP1.25
7	TB36-0943B	ASSY MUFFLER-HST	1						
8	01133-51025	BOLT	1						M10XP1.25
9	01513-50820	STUD	1						M8XP1.25
10	01025-50612	WASHER BOLT	1						M6P1.0
11	01025-50612	WASHER BOLT	1						M6P1.0
12	01754-50816	BOLT, FLANGE	1						M8XP1.25
13	04512-50080	SPRING WASHER	1						M08
14	02156-50080	NUT v	1						M8XP1.25
15	01123-50820	BOLT, WASHER v	1						M8XP1.25
16	TB36-0897A	COVER, PROTECTING-1	1						T2.0
17	02056-50060	NUT	1						M6*P1.0
18	01754-50614	FLANGE BOLT	1						

----> Old replace New
 <----> Interchangeable

<---- New replace Old
 <-O-> Interchangeable with another part(s)

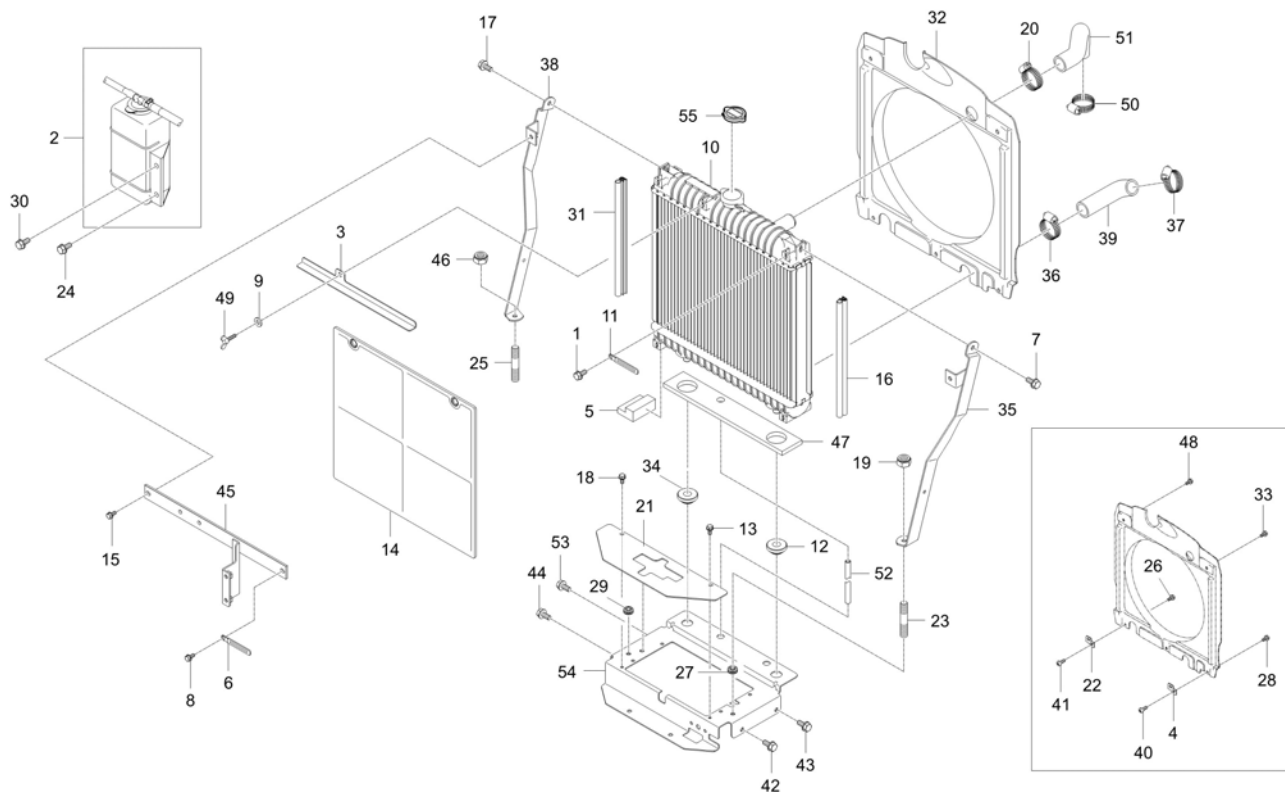
<-X-> Not interchangeable

* Please place an order assy(*)

CHASSIS

TB2-G612504

RADIATOR GROUP



A : CS2210(WY8200001~)

No.	Part Number	Description	Qty					I.C	Remark
			A	B	C	D	E		
1	01754-50612	BOLT, FLANGE	1						M6XP1.0
2	T2555-72734	RESERVOIR ASSY v	1						-
3	TB26-0189B	BRACKET, HOLDER-NET	1						T2.0
4	TB26-0197B	BRACKET, FIXING	1						T1.6
5	T2555-72581	SPONGE	1						
6	37150-3447-1	WIR'G CLAMP	1						T0.5
7	01754-50820	BOLT, FLANGE	1						M8XP1.25
8	01754-50816	BOLT, FLANGE	1						M8XP1.25
9	04013-50060	PLAIN WASHER	1						M6
10	TB36-0931A	ASSY RADIATOR	1						
11	37150-3447-1	WIR'G CLAMP	1						T0.5
12	T4125-13561	CUSHION	1						
13	01754-50612	BOLT, FLANGE	1						M6XP1.0
14	TB36-1069A	NET, RADIATOR	1						
15	01754-50816	BOLT, FLANGE	1						M8XP1.25
16	T2555-50911	RUBBER	1						
17	01754-50820	BOLT, FLANGE	1						M8XP1.25
18	01754-50612	BOLT, FLANGE	1						M6XP1.0

----- Old replace New
 <----- Interchangeable

<---- New replace Old
 <-O-> Interchangeable with another part(s)

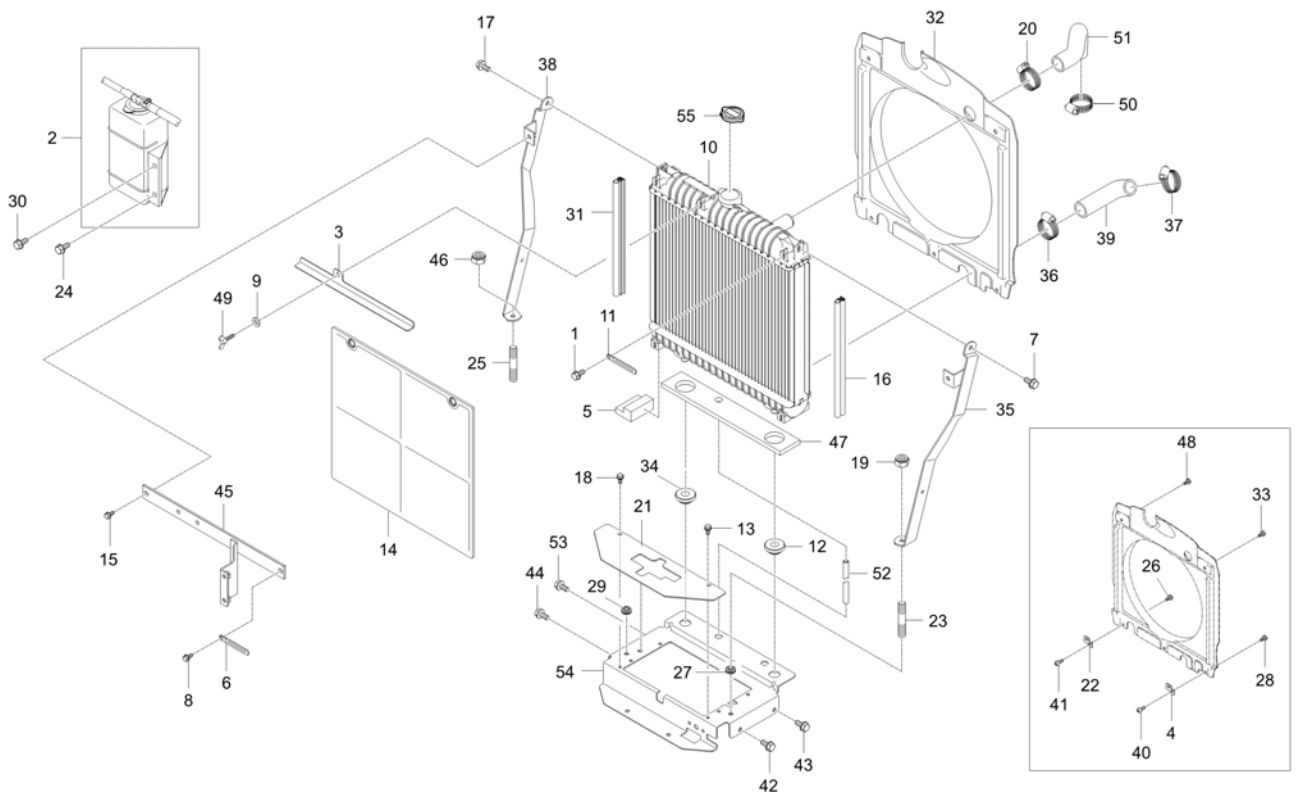
<-X-> Not interchangeable

* Please place an order assy(*)

CHASSIS

TB2-G612504

RADIATOR GROUP



A : CS2210(WY8200001~)

No.	Part Number	Description	Qty					I.C	Remark
			A	B	C	D	E		
19	T2555-58731	NUT	1						
20	09318-87040	CLMAP, HOSE	1						
21	TB26-0274B	PLATE, BLOCK-BOBCAT	1						T2.3
21	TB26-0274C		1					<---->	T2.3
21	TB26-0192B	PLATE, BLOCK	1					<---->	T2.3
22	TB26-0197B	BRACKET, FIXING	1						T1.6
23	01513-50825	STUD	1						M8*P1.25
24	01754-50820	BOLT, FLANGE	1						M8XP1.25
25	01513-50825	STUD	1						M8*P1.25
26	01754-50612	BOLT, FLANGE	1						M6XP1.0
27	T4682-50251	GROMMET	1						
27	TB26-0360A		1					<--O-->	
28	01754-50612	BOLT, FLANGE	1						M6XP1.0
29	T4682-50251	GROMMET	1						
29	TB26-0360A		1					<--O-->	
30	01754-50820	BOLT, FLANGE	1						M8XP1.25
31	T2555-50911	RUBBER	1						
32	TB36-0932B	SHROUD	1						T3.0

----> Old replace New
 <----> Interchangeable

<---- New replace Old
 <-O-> Interchangeable with another part(s)

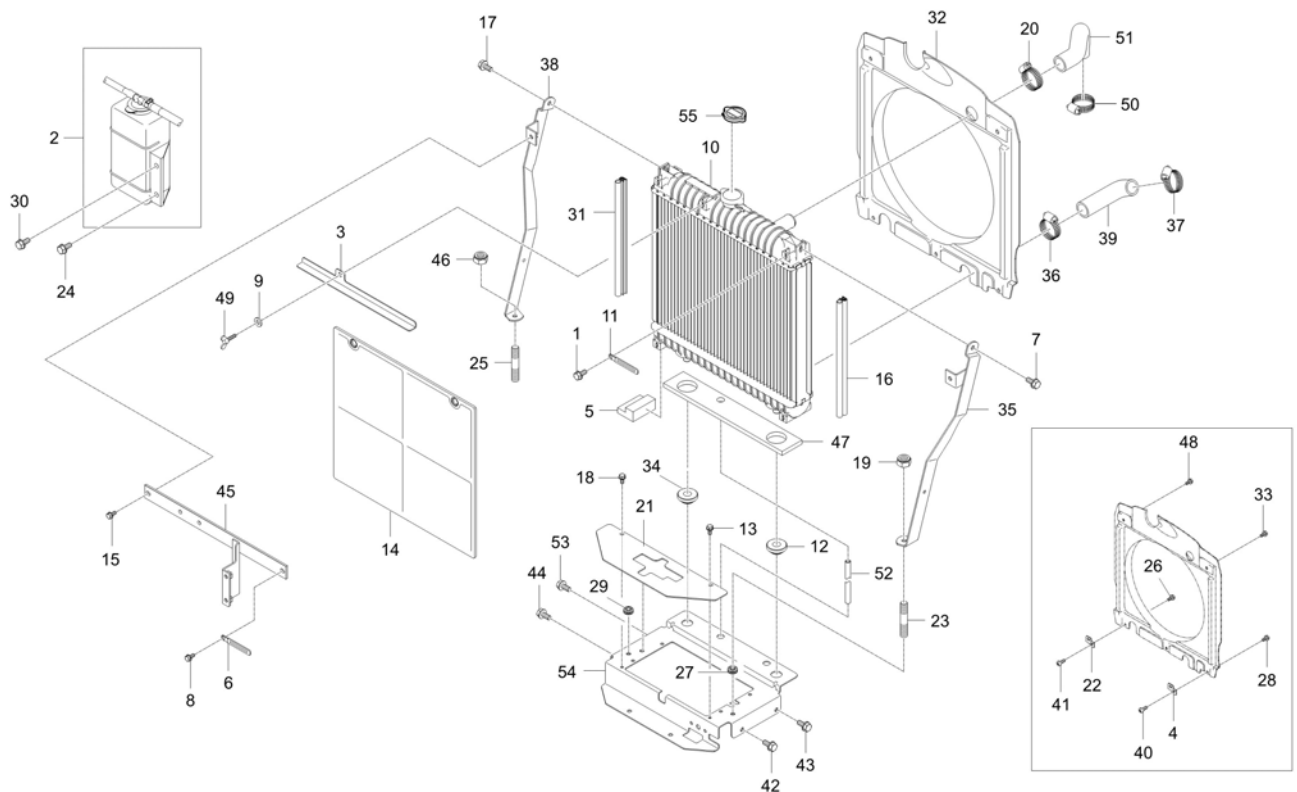
<-X-> Not interchangeable

* Please place an order assy(*)

CHASSIS

TB2-G612504

RADIATOR GROUP



A : CS2210(WY8200001~)

No.	Part Number	Description	Qty					I.C	Remark
			A	B	C	D	E		
33	01754-50612	BOLT, FLANGE	1						M6XP1.0
34	T4125-13561	CUSHION	1						
35	T2555-50253	BRACKET RH, RADIATOR	1						-
35	T2555-50254		1					<--O-->	-
36	09318-87040	CLMAP, HOSE	1						
37	09318-87040	CLMAP, HOSE	1						
38	T2555-50243	BRACKET LH, RADIATOR	1						-
38	T2555-50244		1					<--O-->	-
39	TB36-0938B	HOSE, COOLING WATER-LWR	1						OD 35 / ID 27
40	U3215-81552	Screw Black v	1						M6
41	U3215-81552	Screw Black v	1						M6
42	01754-50820	BOLT, FLANGE	1						M8XP1.25
43	01754-50820	BOLT, FLANGE	1						M8XP1.25
44	01754-50820	BOLT, FLANGE	1						M8XP1.25
45	TB36-0935A	HOLDER, RESERVOIR TANK	1						
46	T2555-58731	NUT	1						
47	T2555-72553	SPONGE, 2	1						-
48	01754-50612	BOLT, FLANGE	1						M6XP1.0

----> Old replace New
 <----> Interchangeable

<---- New replace Old
 <-O-> Interchangeable with another part(s)

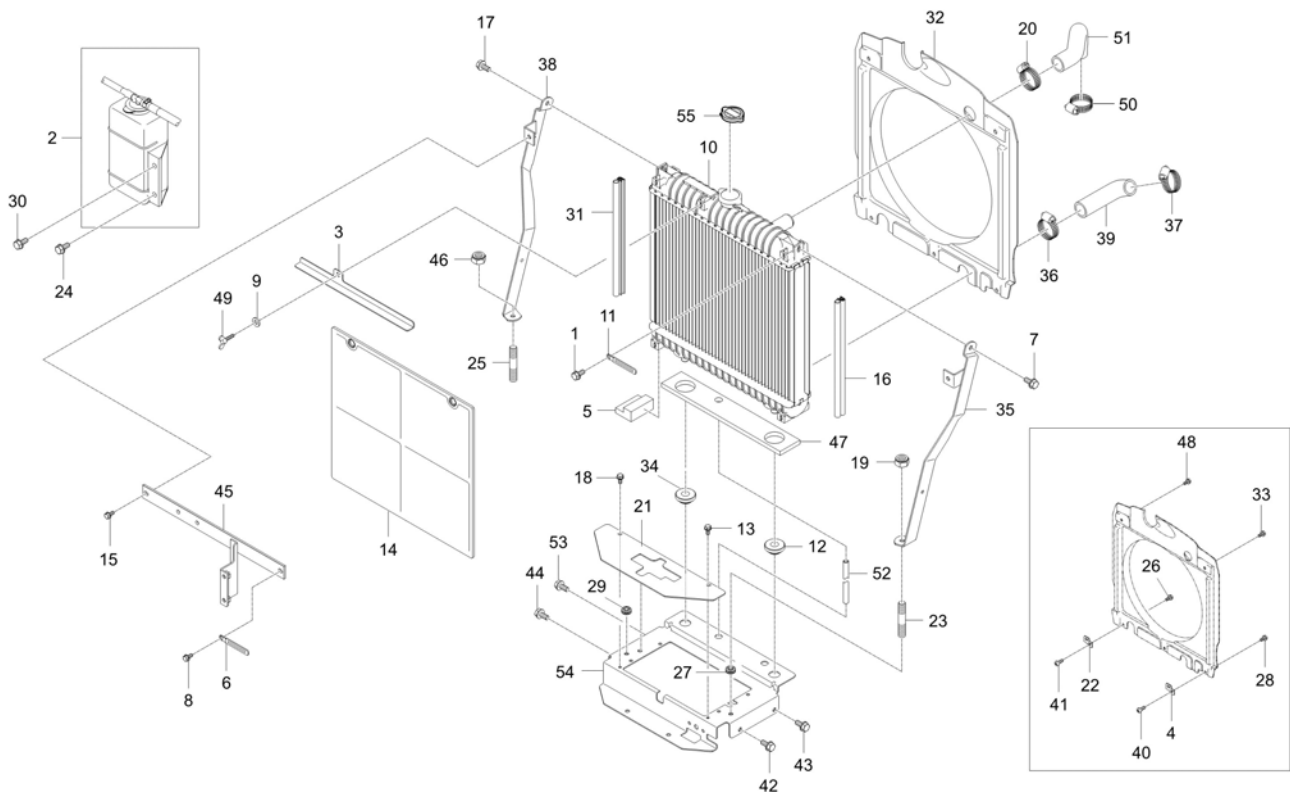
<-X-> Not interchangeable

* Please place an order assy(*)

CHASSIS

TB2-G612504

RADIATOR GROUP



A : CS2210(WY8200001~)

No.	Part Number	Description	Qty					I.C	Remark
			A	B	C	D	E		
49	01811-50615	BOLT,WING	1						
50	09318-87040	CLMAP, HOSE	1						
51	TB36-0937B	HOSE, COOLING WATER-UPR	1						OD 35 / ID 27
52	T2555-72782	TUBE, VINYL	1						
53	01754-50820	BOLT, FLANGE	1						M8XP1.25
54	T2555-50237	PLATE, RADIATOR SUPPORT	1						
55	U3215-77501	Radiator Cap	1						
56	TB26-0362A		1						T1.5
57	04015-50080	PLAIN WASHER	1						M8
58	TB26-0362A		1						T1.5
59	04015-50080	PLAIN WASHER	1						M8

----> Old replace New
 <----> Interchangeable
 * Please place an order assy(*)

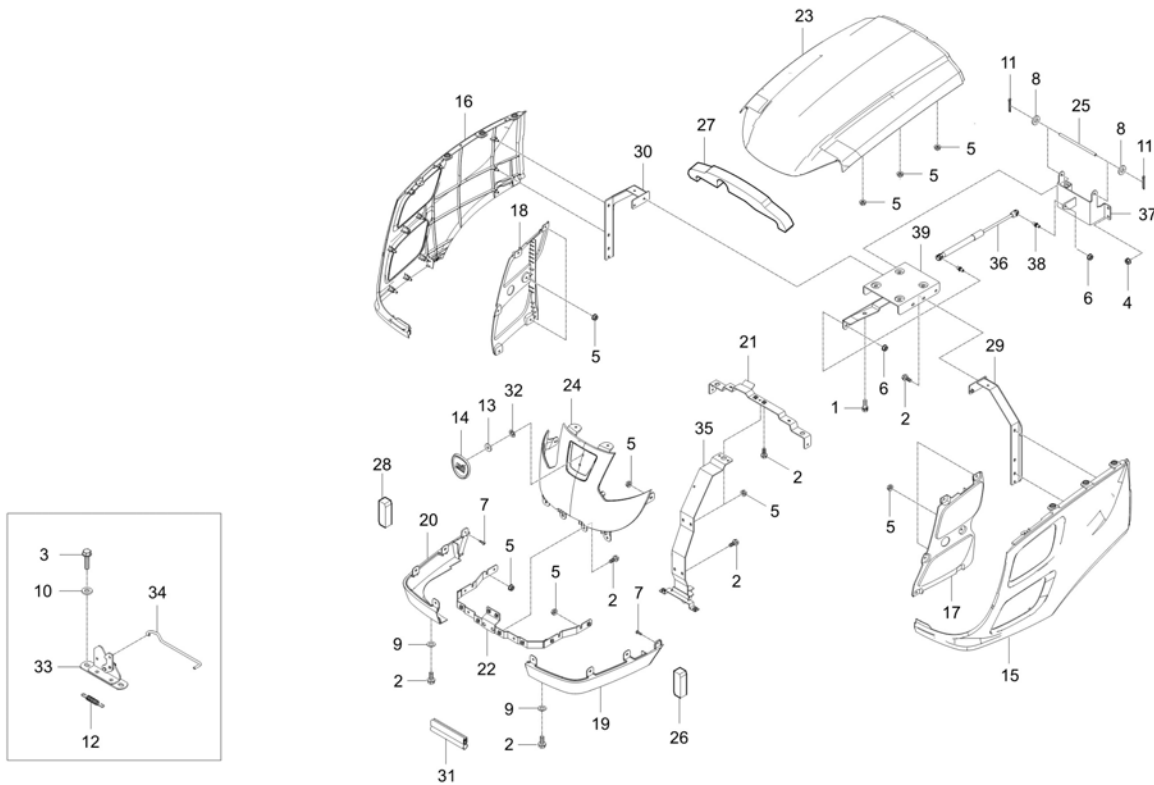
<---- New replace Old
 <-O-> Interchangeable with another part(s)

<-X-> Not interchangeable

CHASSIS

TB2-G615505

BONNET GROUP(3C100)



A : CS2210(WY8200001~)

No.	Part Number	Description	Qty					I.C	Remark
			A	B	C	D	E		
1	01125-50820	BOLT, WASHER	5						M8XP1.25
2	01754-50614	FLANGE BOLT	20						M6XP1.0
3	01754-50620	BOLT, FLANGE	2						M6XP1.0
4	02751-50080	FLANGE NUT 8MMX1.25P	4						M8XP1.25
5	02761-50060	NUT, FLANGE	39						M6XP1.0
6	02763-50080	FLANGE NUT	2						M8XP1.25
7	03514-50410	SCREW dnr v	2						
8	04012-50080	WASHER, PLAIN	2						M8
9	04014-50080B	WASHER	2						
10	04015-50060	WASHER, PLAIN	2						M6
11	05511-50220	PIN, SPLIT	2						DIA1.8XL20
12	57781-5121-1	FRICION SPRING	1						DIA1.2
12	T4157-51211	SPRING, RETURN	1					<-----	
13	82KC-0641	PLATE, RUBBER	2						
14	T2185-51462	EMBLEM	1						
15	T2555-50542	BONNET LH dnr v	1						-
16	T2555-50553	BONNET RH	1						-
17	T2555-50562	GRILL SIDE LH v	1						-

----- Old replace New
 <----- Interchangeable

<----- New replace Old
 <-O-> Interchangeable with another part(s)

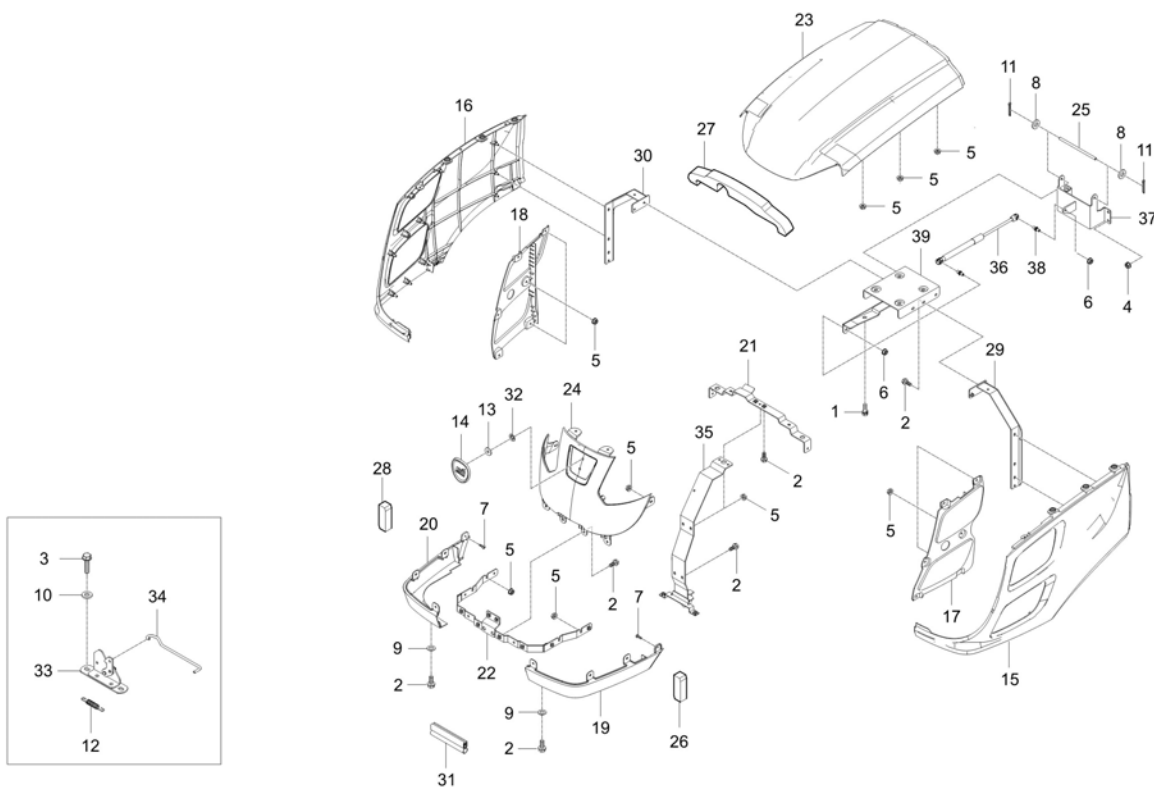
<-X-> Not interchangeable

* Please place an order assy(*)

CHASSIS

TB2-G615505

BONNET GROUP(3C100)



A : CS2210(WY8200001~)

No.	Part Number	Description	Qty					I.C	Remark
			A	B	C	D	E		
18	T2555-50572	GRILL, SIDE RH v	1						-
19	T2555-50582	LOWER GRILLE, LH	1						-
20	T2555-50592	LOWER GRILLE, RH	1						-
21	T2555-50622	PLATE2, BONNET	1						
22	T2555-50631	PLATE3, BONNET	1						
23	T2555-50712	ASSY BONNET,UPPER dnr v	1						-
24	T2555-50722	GRILL, FRONT v	1						-
25	T2555-50751	PIN, BONNET	1						
26	T2555-50761	SPONGE, BONNET	1						
27	T2555-50771	SPONGE, BONNET	1						
28	T2555-50791	SPONGE	1						
29	T2555-50951	PLATE4, BONNET	1						
30	T2555-50961	PLATE5, BONNET	1						
31	T2555-50971	RUBBER	1						
32	T4620-50701	PLATE, FIXED	2						
33	TB26-0191A	LATCH	1						
34	TB26-0193A	LATCH-ROD	1						<O>5.5
35	TB26-0194A	PLATE, BONNET REINFMT-1	1						

----> Old replace New
 <----> Interchangeable

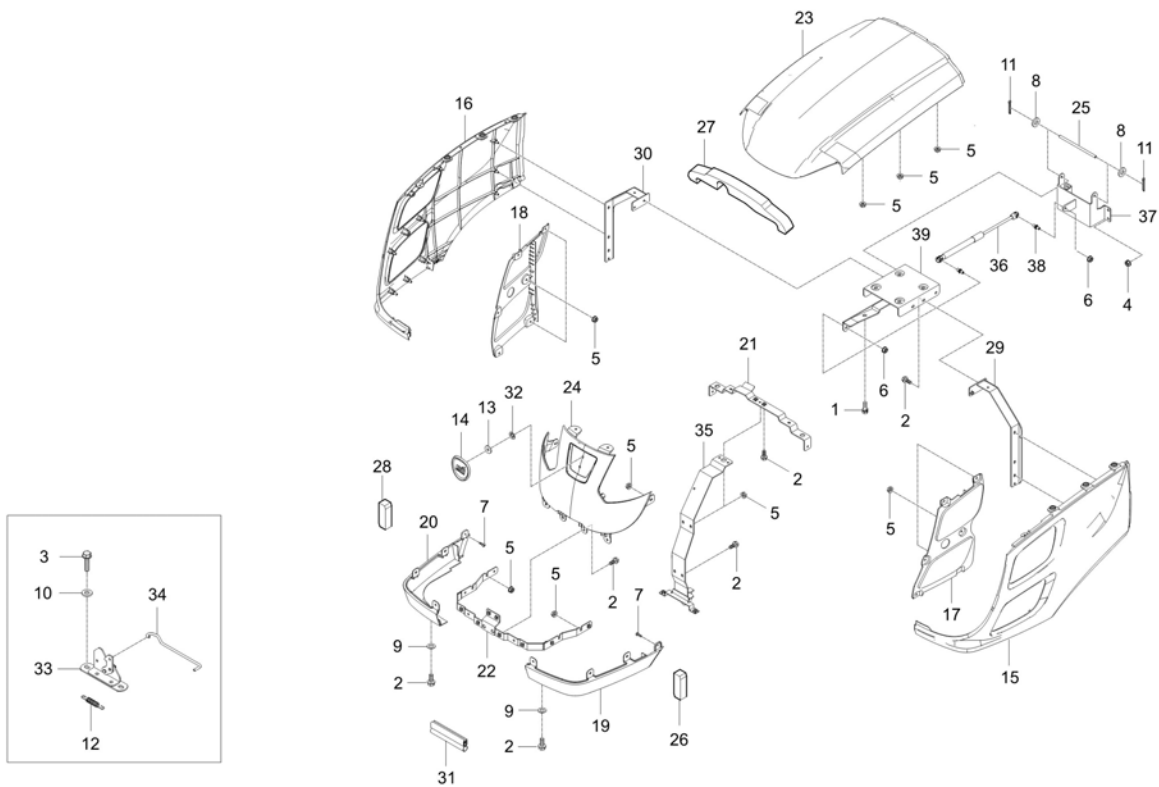
<---- New replace Old
 <-O-> Interchangeable with another part(s)

<-X-> Not interchangeable

* Please place an order assy(*)

TB2-G615505

BONNET GROUP(3C100)



A : CS2210(WY8200001~)

No.	Part Number	Description	Qty					I.C	Remark
			A	B	C	D	E		
36	TB36-0956A	ASSY CYLINDER, AIR	1						
37	TB36-0957A	BRACKET, HINGE BONNET-BONNET	1						
38	TB36-1025A	BALL-NUT	2						
39	TB36-1053A	BRACKET, BONNET-CTR	1						

----> Old replace New
 <----> Interchangeable

<--- New replace Old
 <-O-> Interchangeable with another part(s)

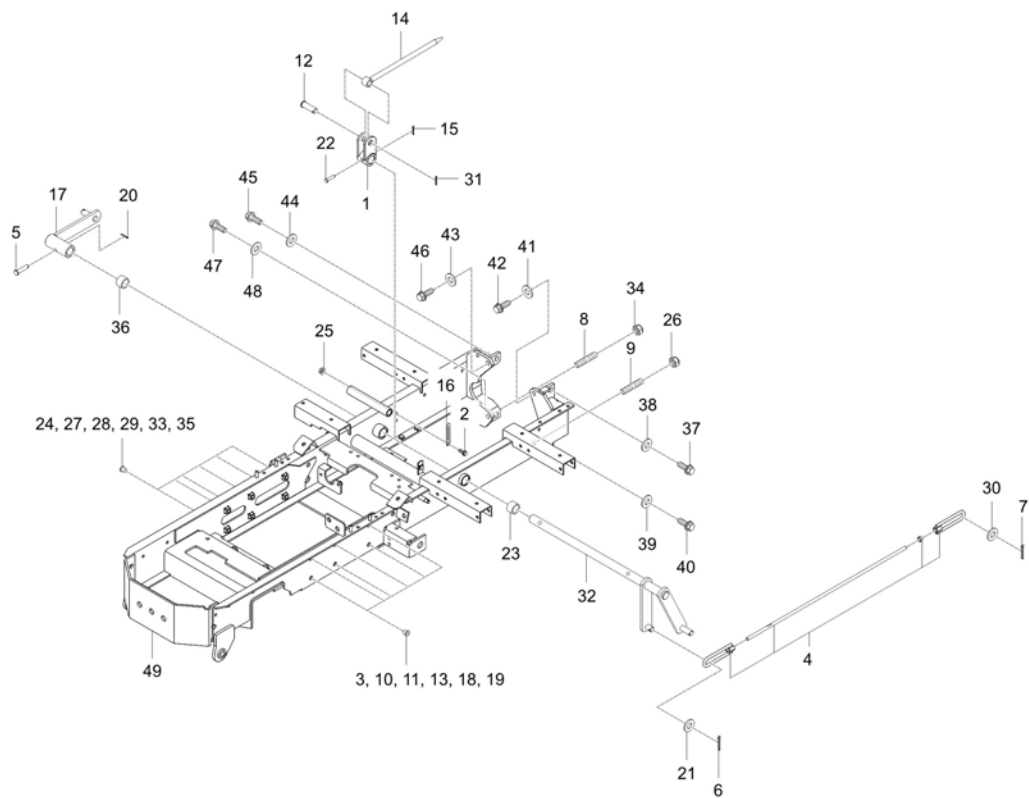
<-X-> Not interchangeable

* Please place an order assy(*)

CHASSIS

TB2-G622005

MAIN FRAME GROUP



A : CS2210(WY8200001~)

No.	Part Number	Description	Qty					I.C	Remark
			A	B	C	D	E		
1	T2555-60581	ARM, MOWER DECK	1						
2	02763-50080	FLANGE NUT	1						M8XP1.25
3	32210-2758-1	PLUG	1						M12
4	T2555-60841	LIFT ROD ASSY, MOWER DECK	1						
5	05122-51050	PIN JOINT v	1						
6	05511-50435	PIN, SPLIT	1						DIA4
7	05511-50435	PIN, SPLIT	1						DIA4
8	01574-51230	STUD	1						M12XP1.25
9	01574-51230	STUD	1						M12XP1.25
10	32210-2758-1	PLUG	1						M12
11	32210-2758-1	PLUG	1						M12
12	05112-51650	PIN,HEAD	1						
13	32210-2758-1	PLUG	1						M12
14	T2555-60761	ROD, MOWER DECK	1						
15	05511-50320	PIN, SPLIT	1						DIA2.7XL20
16	37155-3447-1	CLAMP,CORD	1						-
17	T2555-60831	LIFT ARM, MOWER DECK	1						
18	32210-2758-1	PLUG	1						M12

----> Old replace New
 <----> Interchangeable

<---- New replace Old
 <-O-> Interchangeable with another part(s)

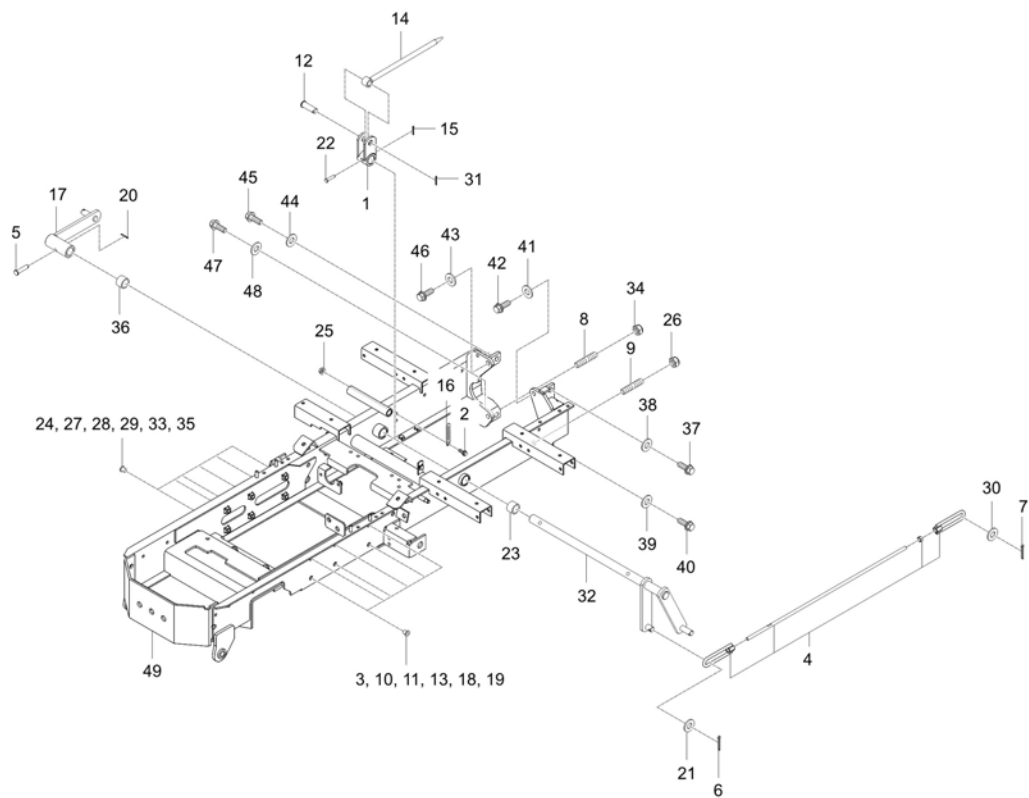
<-X-> Not interchangeable

* Please place an order assy(*)

CHASSIS

TB2-G622005

MAIN FRAME GROUP



A : CS2210(WY8200001~)

No.	Part Number	Description	Qty					I.C	Remark
			A	B	C	D	E		
19	32210-2758-1	PLUG	1						M12
20	05511-50320	PIN, SPLIT	1						DIA2.7XL20
21	04011-50160	PLAIN WASHER	1						M16
22	T2555-91251	PIN, MOWER DECK	1						
23	08511-02520	BUSHING	1						MB2520DU
24	32210-2758-1	PLUG	1						M12
25	01754-50820	BOLT, FLANGE	1						M8XP1.25
26	T2555-58771	U-NUT	1						
27	32210-2758-1	PLUG	1						M12
28	32210-2758-1	PLUG	1						M12
29	32210-2758-1	PLUG	1						M12
30	04011-50160	PLAIN WASHER	1						M16
31	05511-50435	PIN, SPLIT	1						DIA4
32	T2555-60811	LIFT ARM, MOWER DECK	1						
33	32210-2758-1	PLUG	1						M12
34	T2555-58771	U-NUT	1						
35	32210-2758-1	PLUG	1						M12
36	08511-02520	BUSHING	1						MB2520DU

----> Old replace New
 <----> Interchangeable

<---- New replace Old
 <-O-> Interchangeable with another part(s)

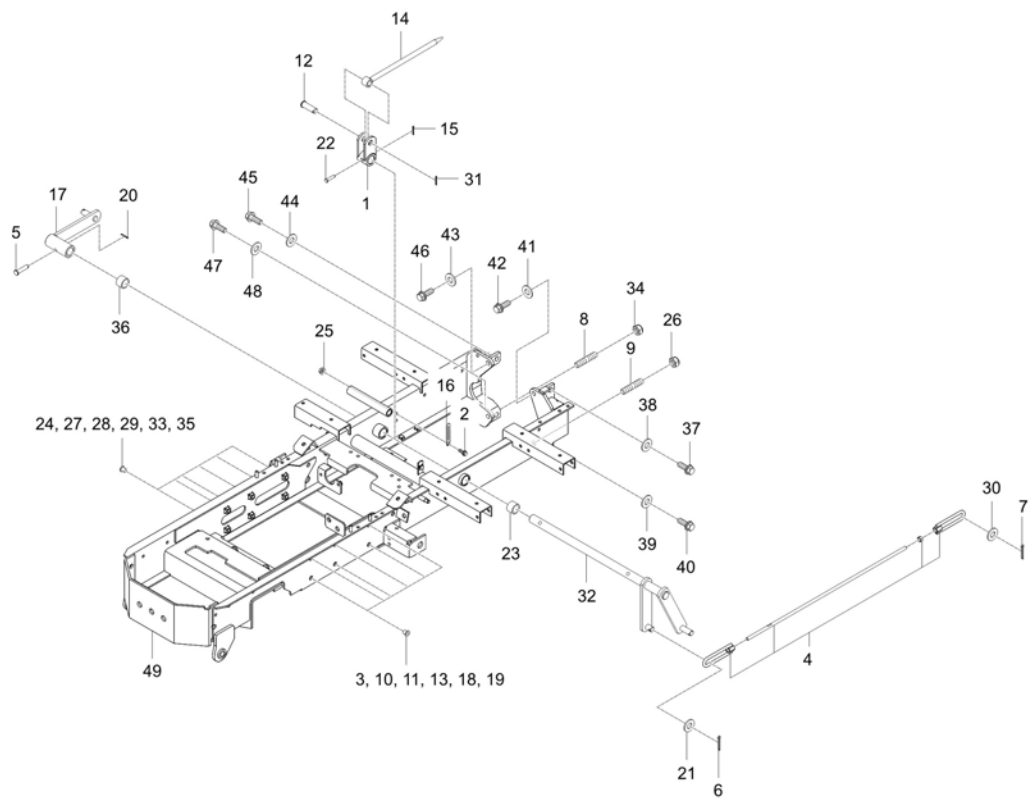
<-X-> Not interchangeable

* Please place an order assy(*)

CHASSIS

TB2-G622005

MAIN FRAME GROUP



A : CS2210(WY8200001~)

No.	Part Number	Description	Qty					I.C	Remark
			A	B	C	D	E		
37	01133-51240	BOLT, WASHER	1						M12XP1.25
38	04013-50120	PLAIN WASHER	1						M12
39	04013-50120	PLAIN WASHER	1						M12
40	01133-51240	BOLT, WASHER	1						M12XP1.25
41	04013-50120	PLAIN WASHER	1						M12
42	01133-51235	WASHER BOLT	1						M12XP1.25
43	04013-50120	PLAIN WASHER	1						M12
44	04013-50120	PLAIN WASHER	1						M12
45	01133-51240	BOLT, WASHER	1						M12XP1.25
46	01133-51235	WASHER BOLT	1						M12XP1.25
47	01133-51240	BOLT, WASHER	1						M12XP1.25
48	04013-50120	PLAIN WASHER	1						M12
49	TB26-0310A	FRAME, MAIN-3C100	1						
49	TB26-0310B	FRAME, MAIN-3C100	1					<---->	
49	TB26-0310C		1					<---->	

----> Old replace New
<----> Interchangeable

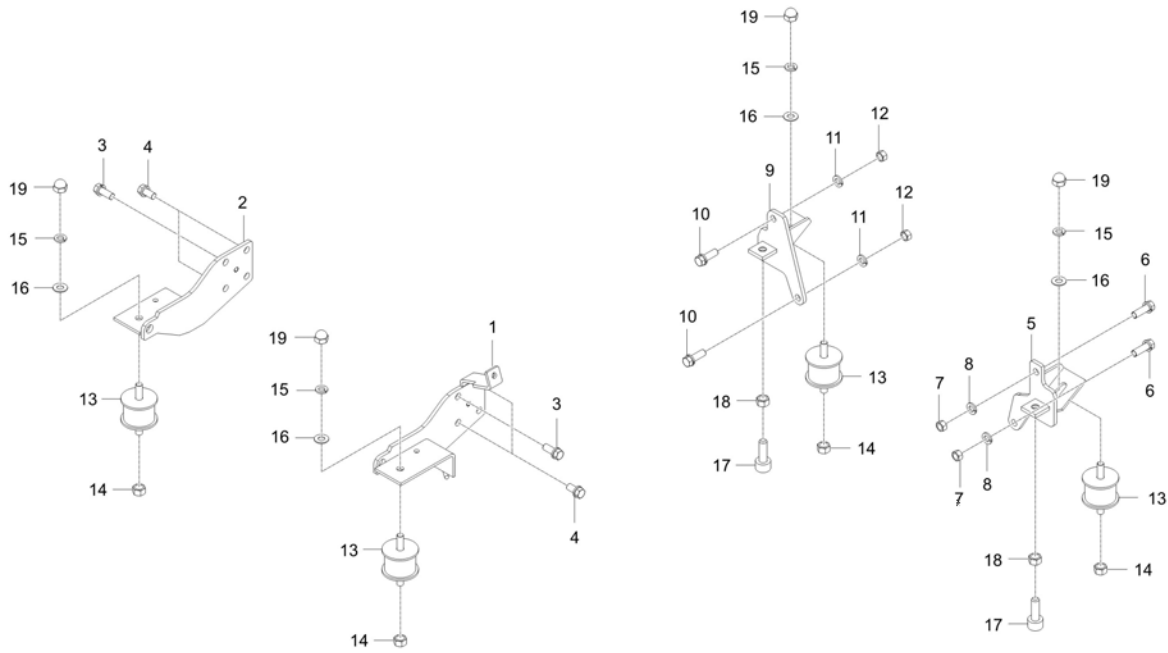
<----> New replace Old
<-O-> Interchangeable with another part(s)

<-X-> Not interchangeable

* Please place an order assy(*)

CHASSIS

TB2-G624001 VIBRATIONPROOF RUBBER GROUP



A : CS2210(WY8200001~)

No.	Part Number	Description	Qty					I.C	Remark
			A	B	C	D	E		
1	TB26-0279B	SUPPORT, VIB ISOLATOR MOUNT-FR LH	1						
2	TB26-0280B	SUPPORT, VIB ISOLATOR MOUNT-FR RH	1						
3	01133-51025	BOLT	2						M10XP1.25
4	01133-51020	BOLT	6						M10XP1.25
5	TB36-0949B	SUPPORT, VIB ISOLATOR MOUNT-LH	1						
6	01133-51030	WITH WASHER BOLT	2						M10XP1.25
7	02176-50100	NUT v	2						M10XP1.25
8	04512-50100	SPRING WASHER	2						M10
9	TB36-0950B	SUPPORT, VIB ISOLATOR MOUNT-RH	1						
10	01133-51030	WITH WASHER BOLT	2						M10XP1.25
11	04512-50100	SPRING WASHER	2						M10
12	02176-50100	NUT v	2						M10XP1.25
13	TB36-0581A	RUBBER, VIB ISOLATOR ENGINE	4						
14	02076-50100	NUT dnr V	4						M10*P1.25
15	04512-50100	SPRING WASHER	4						M10
16	04013-50100	PLAIN WASHER	4						M10
17	TB26-0299A	BOLT, CUSHION	2						
18	02176-50120	NUT	2						M12XP1.25

----> Old replace New
 <----> Interchangeable

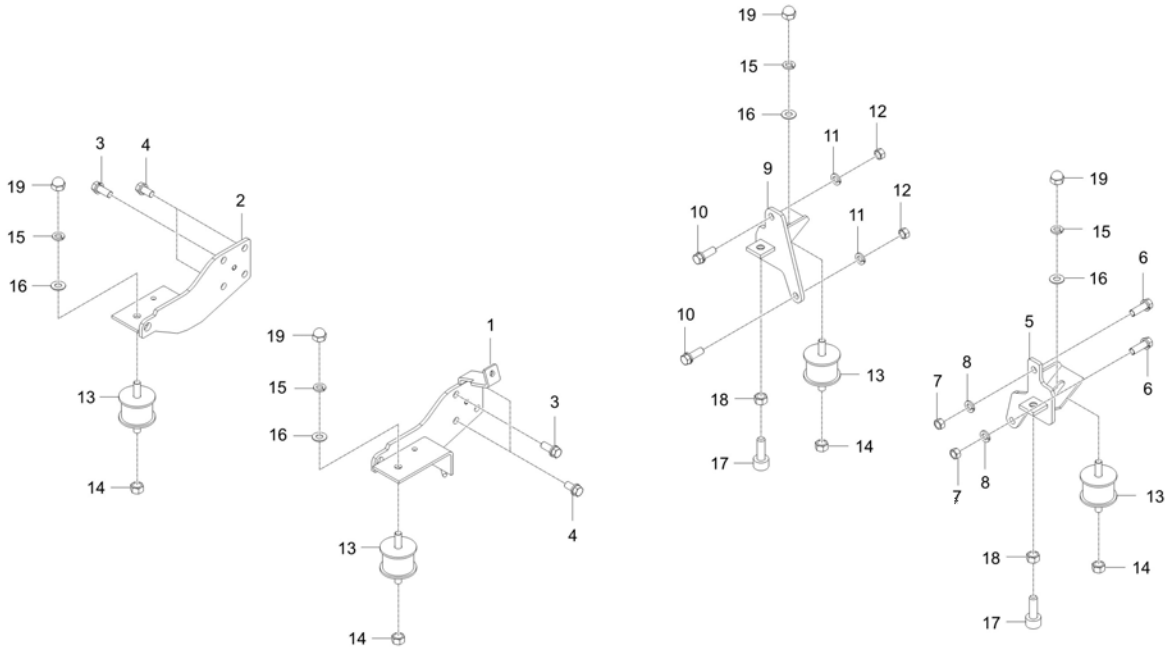
<---- New replace Old
 <-O-> Interchangeable with another part(s)

<-X-> Not interchangeable

* Please place an order assy(*)

TB2-G624001

VIBRATIONPROOF RUBBER GROUP



A : CS2210(WY8200001~)

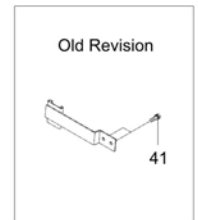
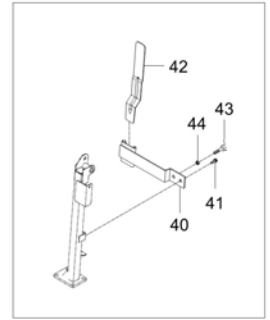
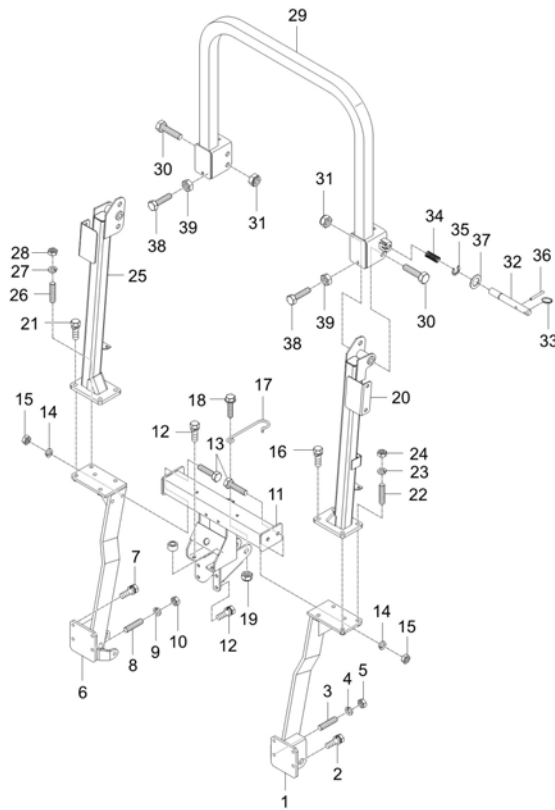
No.	Part Number	Description	Qty					I.C	Remark
			A	B	C	D	E		
19	44366-4723-1	NUT,CAP	4						

----> Old replace New
 <----> Interchangeable
 * Please place an order assy(*)
 <---- New replace Old
 <-O-> Interchangeable with another part(s)
 <-X-> Not interchangeable

CHASSIS

TB2-G631003

ROPS BAR GROUP



A : CS2210(WY8200001~)

No.	Part Number	Description	Qty					I.C	Remark
			A	B	C	D	E		
1	T2555-95033	SUPPORT LH	1						
2	01133-51025	BOLT	3						M10XP1.25
3	01517-51030	STUD	1						
4	04512-50100	SPRING WASHER	1						M10
5	02176-50100	NUT v	1						M10XP1.25
6	T2555-95053	SUPPORT RH FENDER	1						
7	01133-51025	BOLT	3						M10XP1.25
8	01517-51030	STUD	1						
9	04512-50100	SPRING WASHER	1						M10
10	02176-50100	NUT v	1						M10XP1.25
11	T2555-95012	SUPPORT, FENDER	1						-
12	01133-51025	BOLT	6						M10XP1.25
13	01173-51235	Hex Head Cap Screw	4						M12P1.25*3 5
14	04512-50120	SPRING WASHER	4						M12
15	02176-50120	NUT	4						M12XP1.25
16	01133-51240	BOLT, WASHER	3						M12XP1.25
17	T2555-91771	CLIP, TOP LINK	1						
18	01754-50825	BOLT, FLANGE	1						M8XP1.25

----> Old replace New
 <----> Interchangeable

<---- New replace Old
 <-O-> Interchangeable with another part(s)

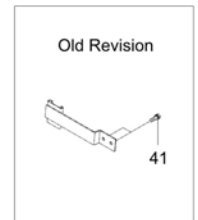
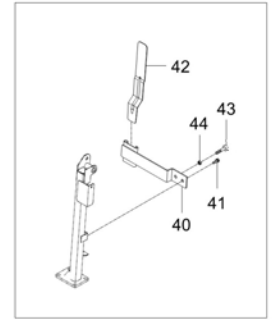
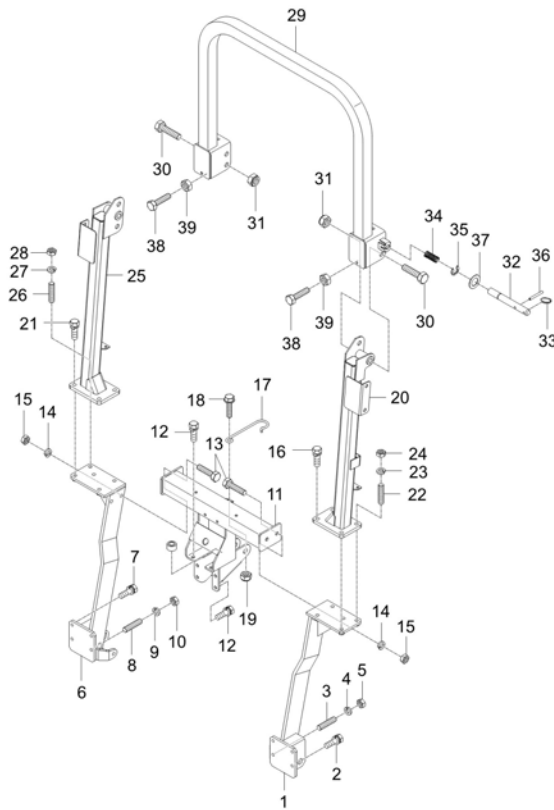
<-X-> Not interchangeable

* Please place an order assy(*)

CHASSIS

TB2-G631003

ROPS BAR GROUP



A : CS2210(WY8200001~)

No.	Part Number	Description	Qty					I.C	Remark
			A	B	C	D	E		
19	T2555-58731	NUT	1						
20	TB26-0175C	ROPS-LH	1						-
21	01133-51240	BOLT, WASHER	3						M12XP1.25
22	01574-51240	STUD	1						M12*1.25*30
23	04512-50120	SPRING WASHER	1						M12
24	02176-50120	NUT	1						M12XP1.25
25	TB26-0176C	ROPS-RH	1						-
26	01574-51240	STUD	1						M12*1.25*30
27	04512-50120	SPRING WASHER	1						M12
28	02176-50120	NUT	1						M12XP1.25
29	T2555-97132	ROPS, UPR	1						
30	T2555-97181	BOLT	2						
31	T2181-97191	SELF LOCK NUT(M16)	2						
32	T2555-97211	PIN, ROPS	2						
33	T2555-97222	SPRING	2						
34	T2555-97232	SPRING	2						
35	04613-50120	SNAP RING	2						
36	T2555-58761	SPRING PIN	2						

----> Old replace New
 <----> Interchangeable

<---- New replace Old
 <-O-> Interchangeable with another part(s)

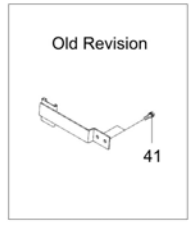
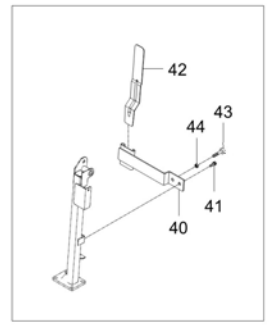
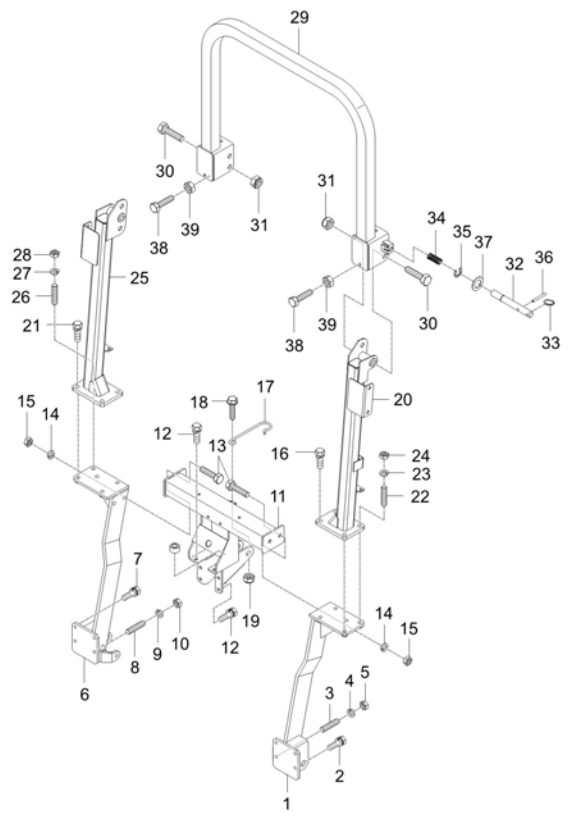
<-X-> Not interchangeable

* Please place an order assy(*)

CHASSIS

TB2-G631003

ROPS BAR GROUP



A : CS2210(WY8200001~)

No.	Part Number	Description	Qty					I.C	Remark
			A	B	C	D	E		
37	04011-50160	PLAIN WASHER	2						M16
38	01173-51016	BOLT	2						
39	02176-50100	NUT v	2						M10XP1.25
40	T2555-97201	BRACKET, SMV	1						
41	01754-50816	BOLT, FLANGE	1						M8XP1.25
42	T2555-98511	BRACKET, SMV	1						
43	TB26-0276A	BOLT, CUSHION	1						
44	02156-50080	NUT v	1						M8XP1.25

----> Old replace New
 <----> Interchangeable
 * Please place an order assy(*)

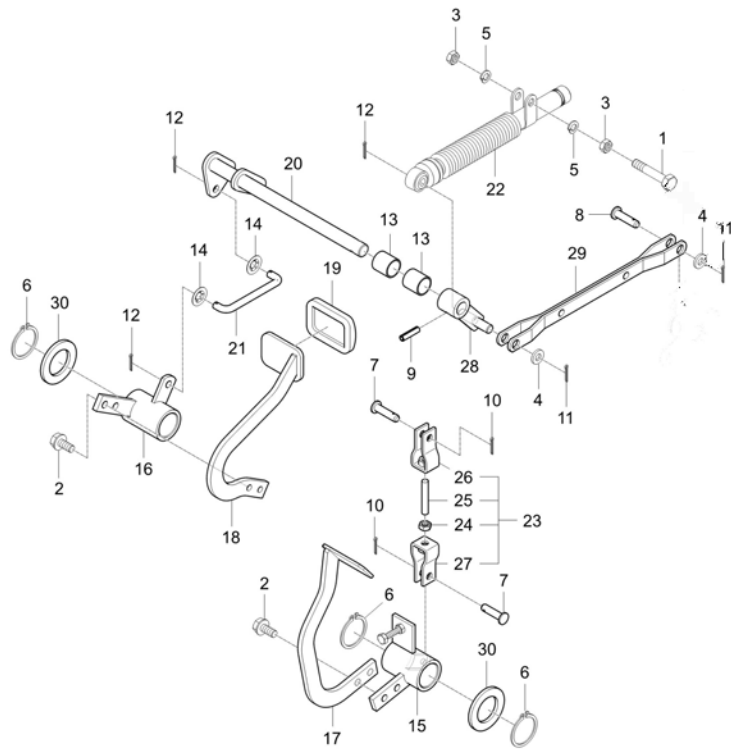
<---- New replace Old
 <-O-> Interchangeable with another part(s)

<-X-> Not interchangeable

CHASSIS

TB2-G647502

HST PEDAL GROUP



A : CS2210(WY8200001~)

No.	Part Number	Description	Qty					I.C	Remark
			A	B	C	D	E		
1	01153-50865	BOLT	1						
2	01754-50816	BOLT, FLANGE	4						M8XP1.25
3	02156-50080	NUT v	2						M8XP1.25
4	04011-50100	PLAIN WASHER	2						M10
5	04512-50080	SPRING WASHER	2						M08
6	04612-00250	CIR-CLIP	3						
7	05122-50820	JOINT PIN	2						
8	05122-51022	JOINT PIN	1						
9	05411-00625	PIN, SPRING v	1						DIA6.4XL25
10	05511-50220	PIN, SPLIT	2						DIA1.8XL20
11	05511-50325	PIN, SPLIT v	2						
12	05511-52525	Pin, Split	3						
13	08511-01515	BUSH	2						MB1515DU
14	52300-2622-1	NUT, PUSH 8	2						T0.5
15	T2555-31041	ASSY ARM	1						
16	T2555-31051	ASSY ARM	1						
17	T2555-31112	HST PEDAL, FORWARD	1						
18	T2555-31121	HST PEDAL, BACKWARD	1						

----> Old replace New
 <----> Interchangeable

<---- New replace Old
 <-O-> Interchangeable with another part(s)

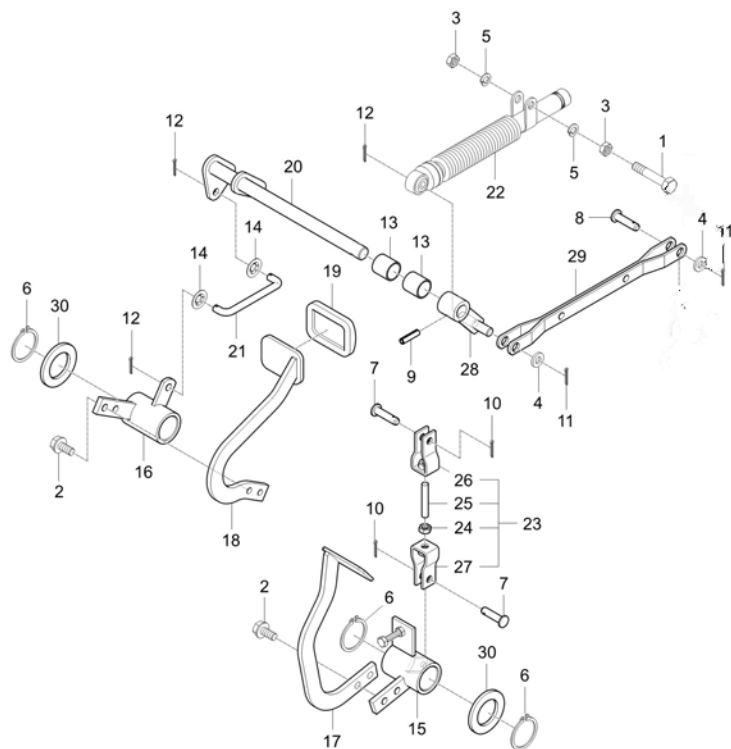
<-X-> Not interchangeable

* Please place an order assy(*)

CHASSIS

TB2-G647502

HST PEDAL GROUP



A : CS2210(WY8200001~)

No.	Part Number	Description	Qty					I.C	Remark
			A	B	C	D	E		
19	T2555-31132	RUBBER, PEDAL BLACK	2						N
20	T2555-32241	PEDAL SHAFT, HST	1						
21	T2555-32251	ROD, HST PEDAL	1						
22	TB34-0103A	DEMPER ASSY	1						
23	T2555-32541	ROD ASSY, HST	1						
24	02156-50080	NUT v	1						M8XP1.25
25	T2555-32551	CONNECTING ROD	1						
26	T2555-32561	FORK JOINT	1						
27	T2555-32571	FORK JOINT	1						
28	T2555-32641	ARM 3, HST	1						
29	T2555-32651	SHIFT LINK, HST	1						
30	T2555-66151	SPACER	2						N

----> Old replace New
 <----> Interchangeable

<---- New replace Old
 <-O-> Interchangeable with another part(s)

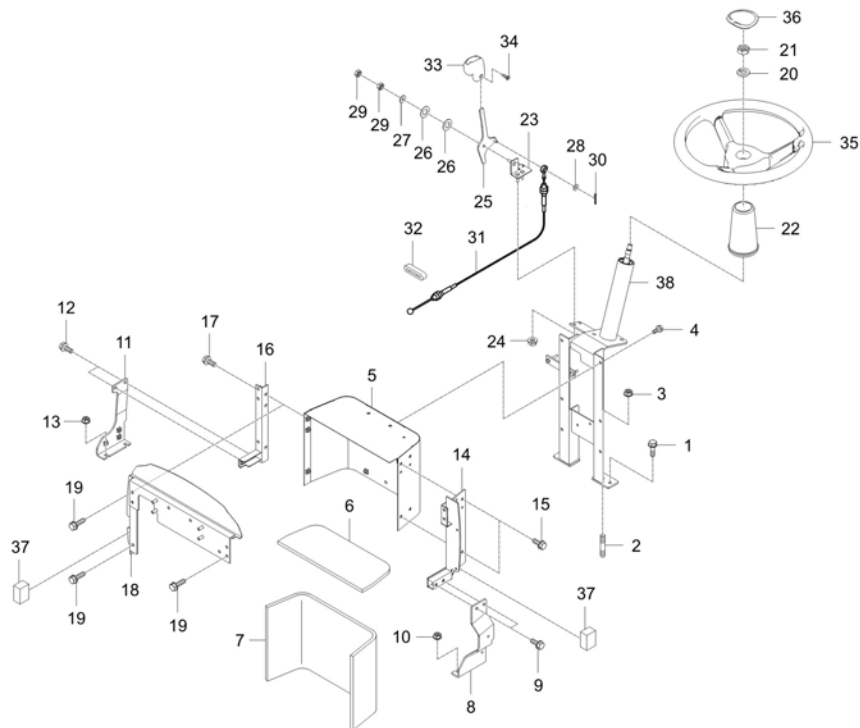
<-X-> Not interchangeable

* Please place an order assy(*)

CHASSIS

TB2-G653003

STEERING COLUMN GROUP(3C100)



A : CS2210(WY8200001~)

No.	Part Number	Description	Qty					I.C	Remark
			A	B	C	D	E		
1	01123-50825	BOLT WITH WASHER	2						M8XP1.25
2	01513-50820	STUD	2						M8XP1.25
3	02763-50080	FLANGE NUT	2						M8XP1.25
4	01754-50812	BOLT, FLANGE	4						M8XP1.25
5	TB36-0901A	PLATE, BLOCK	1						
6	T2555-50841	SPONGE	1						
7	T2555-50851	SPONGE	1						-
8	TB36-0899B	SUPPORT, BONNET-LH	1						T4.5
9	01754-50820	BOLT, FLANGE	2						M8XP1.25
10	02763-50080	FLANGE NUT	2						M8XP1.25
11	TB36-0900B	SUPPORT, BONNET-RH	1						T4.5
12	01754-50820	BOLT, FLANGE	2						M8XP1.25
13	02763-50080	FLANGE NUT	2						M8XP1.25
14	TB36-0903A	PLATE, CONNECTING-LH	1						
15	01754-50812	BOLT, FLANGE	4						M8XP1.25
16	TB36-0912A	SUPPORT, BONNET-RH	1						
17	01754-50812	BOLT, FLANGE	3						M8XP1.25
18	TB36-0909A	BRACKET, BONNET	1						

----> Old replace New
<----> Interchangeable

<---- New replace Old
<-O-> Interchangeable with another part(s)

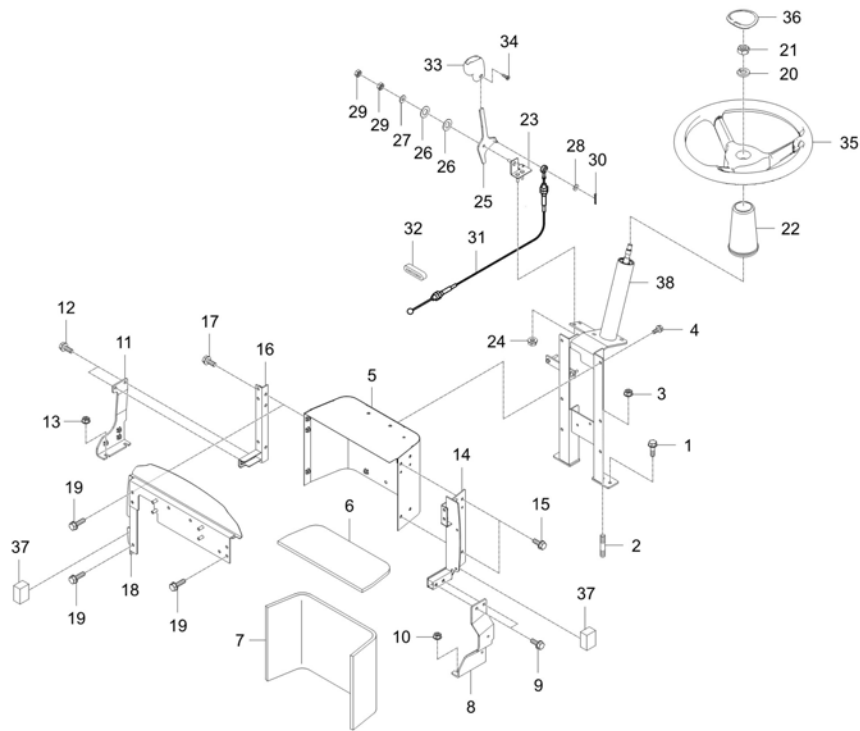
<-X-> Not interchangeable

* Please place an order assy(*)

CHASSIS

TB2-G653003

STEERING COLUMN GROUP(3C100)



A : CS2210(WY8200001~)

No.	Part Number	Description	Qty					I.C	Remark
			A	B	C	D	E		
19	01754-50820	BOLT, FLANGE	5						M8XP1.25
20	04512-50120	SPRING WASHER	1						M12
21	02176-50120	NUT	1						M12XP1.25
22	T2555-55481	COVER, STEERING	1						
23	T2555-67332	BRACKET, ACCEL	1						-
24	02751-50080	FLANGE NUT 8MMX1.25P	2						M8XP1.25
25	TB36-0881A	LEVER, HAND ACCEL	1						-
26	T4668-83301	SPRING	2						
27	04012-50080	WASHER, PLAIN	1						M8
28	04012-50060	PLAIN WASHER	1						M6
29	02156-50080	NUT v	2						M8XP1.25
30	05511-51620	PIN,SPLIT	1						DIA1.4XL20
31	TB26-0302A	CABLE, ACLTR	1						
32	T2555-67441	BUSH,RUBBER	1						
33	T5210-67361	GRIP, HAND ACCEL	1						
34	03056-50508	BOLT	1						
35	T2555-55462	STEERING WHEEL v	1						-
36	T5245-55461	CAP, HANDLE 3 sided v	1						

----> Old replace New
<----> Interchangeable

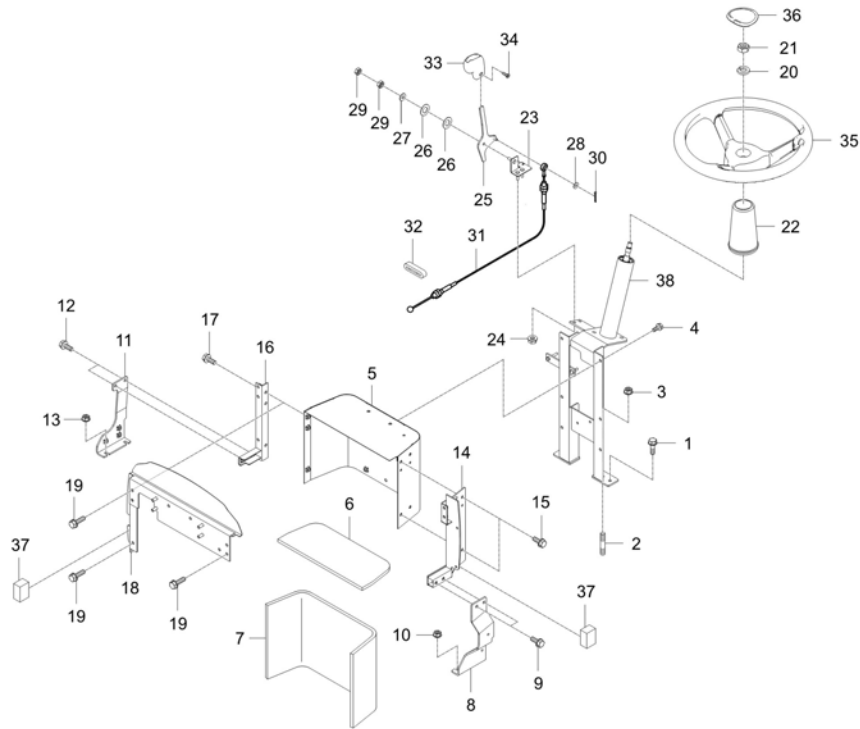
<---- New replace Old
<-O-> Interchangeable with another part(s)

<-X-> Not interchangeable

* Please place an order assy(*)

TB2-G653003

STEERING COLUMN GROUP(3C100)



A : CS2210(WY8200001~)

No.	Part Number	Description	Qty					I.C	Remark
			A	B	C	D	E		
36	T5245-55462	CAP,HANDLE	1					←	-
37	TB26-0322A	SPONGE	2						
38	TB26-0284A	ASSY COLUMN, STEERING-3C100	1						

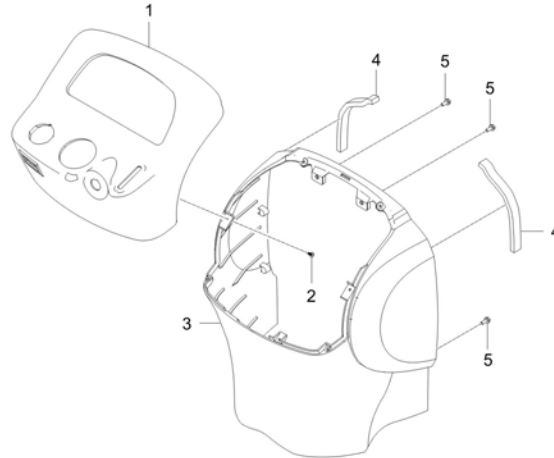
----> Old replace New
 <---> Interchangeable
 * Please place an order assy(*)

<--- New replace Old
 <-O-> Interchangeable with another part(s)

<-X-> Not interchangeable

TB2-G655003

INSTRUMENT COVER GROUP



A : CS2210(WY8200001~)

No.	Part Number	Description	Qty					I.C	Remark
			A	B	C	D	E		
1	T2555-55344	DASHBOARD, UPPER	1						-
2	38240-1883-1	TAPPING SCREW dnr v	6						M4X16
3	TB36-0942A	COVER, INSTPN-LWR	1						
4	T2555-72562	SPONGE, 3	2						
5	01754-50614	FLANGE BOLT	6						

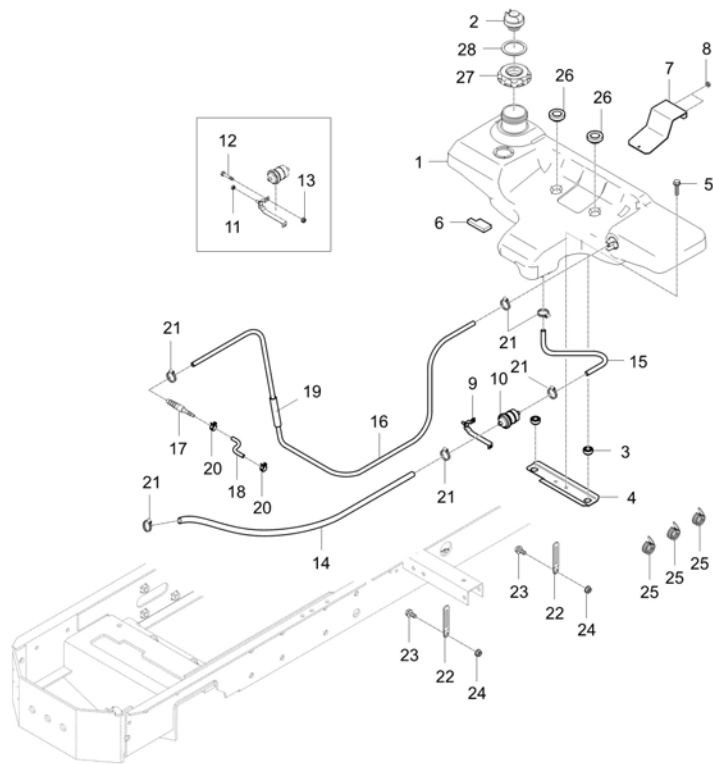
----> Old replace New
 <----> Interchangeable
 * Please place an order assy(*)

<---- New replace Old
 <-O-> Interchangeable with another part(s)

<-X-> Not interchangeable

TB2-G671001

FUEL TANK GROUP



A : CS2210(WY8200001~)

No.	Part Number	Description	Qty					I.C	Remark
			A	B	C	D	E		
1	T2555-55021	Fuel Tank	1						
2	T2611-54825	ASSY, FUEL CAP v	1						
3	T2555-55241	RUBBER, CUSHION	2						
4	T2555-55051	PLATE 2, FUEL TANK HOLDER	1						
5	01754-50816	BOLT, FLANGE	2						M8XP1.25
6	T2555-55251	RUBBER, CUSHION	1						
7	T2555-55042	PLATE1, FUEL TANK HOLDER	1						-
8	02751-50080	FLANGE NUT 8MMX1.25P	2						M8XP1.25
9	T2555-55232	PLATE, FUEL FILTER	1						
10	TB36-0988A	FILTER, FUEL	1						
11	02056-50060	NUT	1						M6*P1.0
12	01053-50625	BOLT	1						M6*P1.0
13	02761-50060	NUT, FLANGE	1						M6XP1.0
14	TB26-0311A	HOSE, FUEL-IN-1	1						OD 14 / ID 8
15	TB26-0312A	HOSE, FUEL-IN-2	1						OD 14 / ID 8
16	T5710-50831	HOSE 2, FUEL	1						OD14XID8
17	T2555-55191	TUBE, CONNECTING	1						
18	T2555-55291	HOSE, FUEL	1						

----> Old replace New
<----> Interchangeable

<---- New replace Old
<-O-> Interchangeable with another part(s)

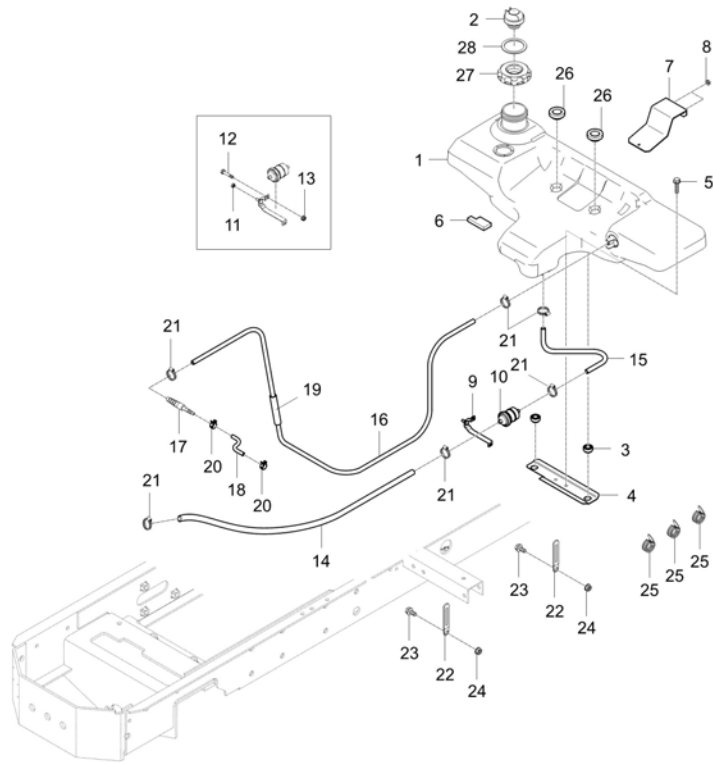
<-X-> Not interchangeable

* Please place an order assy(*)

CHASSIS

TB2-G671001

FUEL TANK GROUP



A : CS2210(WY8200001~)

No.	Part Number	Description	Qty					I.C	Remark
			A	B	C	D	E		
19	T2555-59211	COLGATE TUBE	1						
20	09318-88080	CLMAP, HOSE	2						
21	15301-7247-0	CLIP, HOSE	6						스탠16#
22	37155-3447-1	CLAMP,CORD	2						-
23	01754-50816	BOLT, FLANGE	2						M8XP1.25
24	02751-50080	FLANGE NUT 8MMX1.25P	2						M8XP1.25
25	T2185-82561	BAND, CORD v	3						L200
26	T2555-55211	RUBBER, CUSHION	2						
27	TB26-0184A	CASE, JOINT	1						
28	TB26-0186A	PLATE, RUBBER	1						-

----> Old replace New
 <----> Interchangeable
 * Please place an order assy(*)

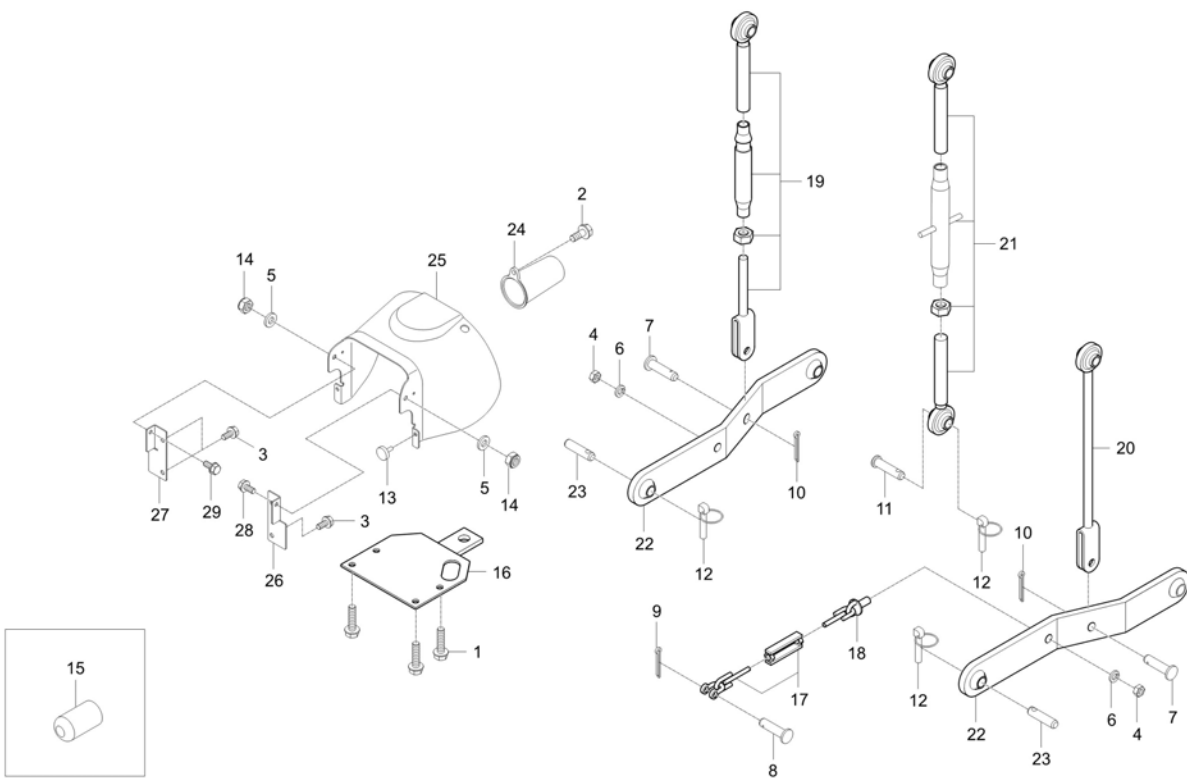
<---- New replace Old
 <-O-> Interchangeable with another part(s)

<-X-> Not interchangeable

CHASSIS

TB2-G685001

3 POINT LINK GROUP



A : CS2210(WY8200001~)

No.	Part Number	Description	Qty					I.C	Remark
			A	B	C	D	E		
1	01133-51230	WASHER BOLT	4						M12*P1.25
2	01754-50814	FLANGE BOLT	1						
3	01754-50816	BOLT, FLANGE	4						M8XP1.25
4	02176-50160	NUT v	2						M16*P1.5
5	04012-50080	WASHER, PLAIN	2						M8
6	04512-50160	WASHER, SPRING	2						M16
7	05112-51650	PIN,HEAD	2						
8	05122-51035	PIN, JOINT	2						
9	05511-50325	PIN, SPLIT v	2						
10	05511-50440	PIN,SPLIT	2						
11	31150-7136-5	PIN, TOP LINK- USE 31150-71365	1						DIA19
12	34150-3764-4	PIN, CLIP	5						DIA10.0
13	T2555-55851	RUBBER, CUSHION	2						
14	T2555-58731	NUT	2						
15	T2555-60991	COVER, MID PTO	1						
16	T2555-67181	HTICH	1						
17	T2555-91001	CHECK-LINK ASSY	2						
18	T2555-91041	CHECK LINK, 2	2						

----> Old replace New
 <----> Interchangeable

<---- New replace Old
 <-O-> Interchangeable with another part(s)

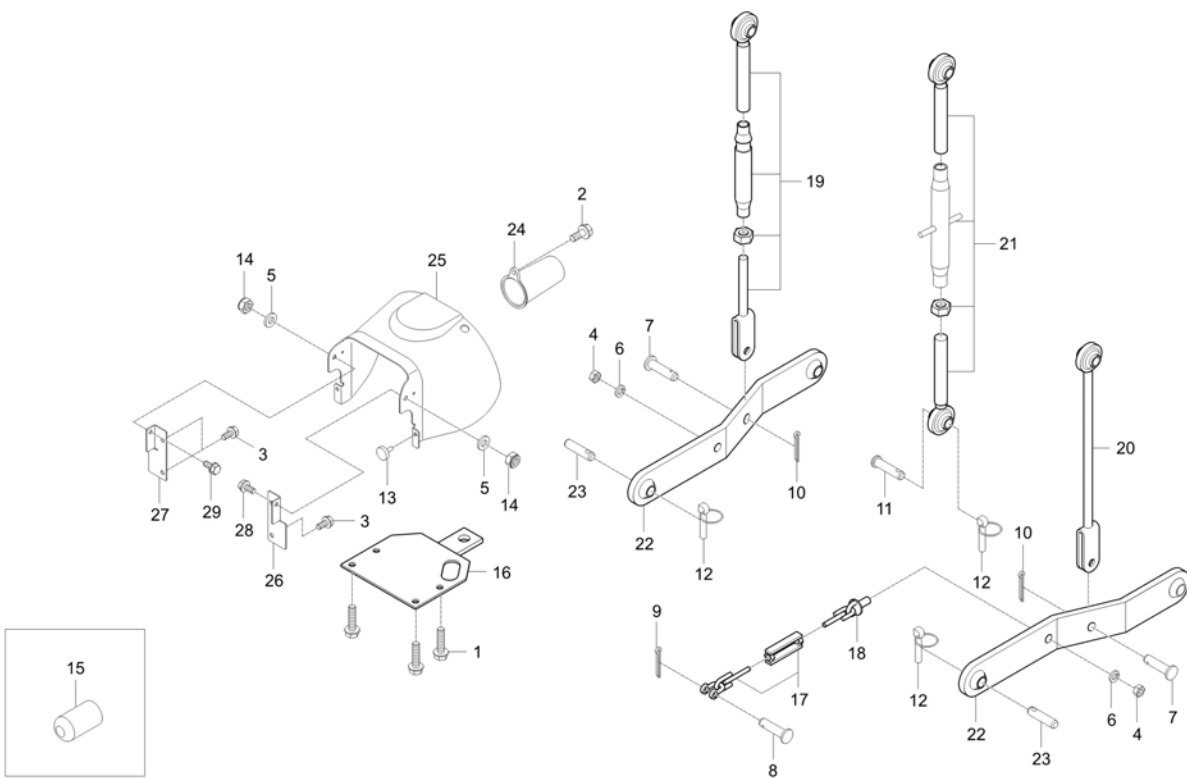
<-X-> Not interchangeable

* Please place an order assy(*)

CHASSIS

TB2-G685001

3 POINT LINK GROUP



A : CS2210(WY8200001~)

No.	Part Number	Description	Qty					I.C	Remark
			A	B	C	D	E		
19	T2555-91201	LIFT ROD ASSY, RH	1						
19	TB26-0352A	ASSY ROD, LIFT	1					<---->	
20	T2555-91311	LIFT ROD, LH	1						
21	T2555-91702	TOP LINK ASSY v	1						-
22	T2555-93011	COMP. LINK, LOWER	2						
23	T2555-93031	PIN, LOWER LINK	2						
24	TB26-0236A	COVER, PTO	1						-
25	TB36-0514A	COVER, PTO	1						T2.3
26	TB36-0515A	BRACKET, PTO COVER-LH	1						T2.3
27	TB36-0516A	BRACKET, PTO COVER-RH	1						T2.3
28	01754-50816	BOLT, FLANGE	1						M8XP1.25
29	01754-50816	BOLT, FLANGE	1						M8XP1.25

----> Old replace New
 <----> Interchangeable

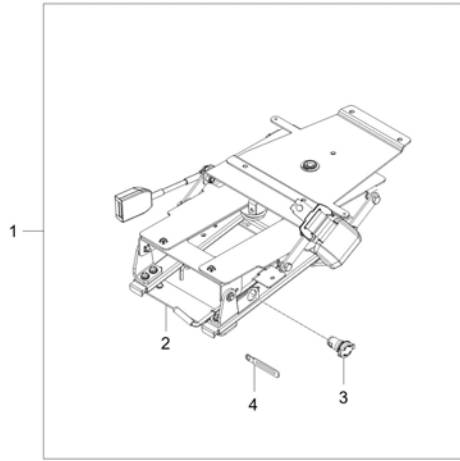
<---- New replace Old
 <-O-> Interchangeable with another part(s)

<-X-> Not interchangeable

* Please place an order assy(*)

TB3-G6G1101

SEAT GROUP(OPTION)



A : CS2210(WY8200001~)

No.	Part Number	Description	Qty					I.C	Remark
			A	B	C	D	E		
1	TB36-A0026B	SWIVEL SEAT ASSY KIT-US	1						
2	TB36-1086A	ASSY SEAT-BACK HOE	1						
3	T4935-92502	POWER OUTLET ASS'Y(12V)	1						
4	34150-2939-1	CLAMP, WIRE	1						-

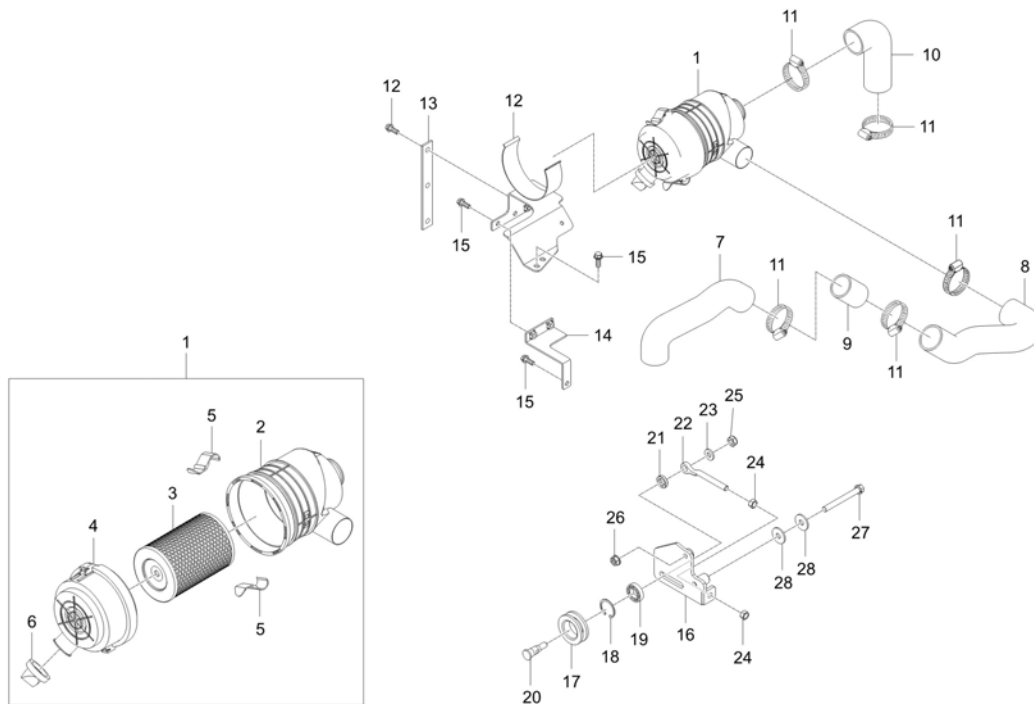
----> Old replace New <---- New replace Old <-X-> Not interchangeable
 <----> Interchangeable <-O-> Interchangeable with another part(s)

* Please place an order assy(*)

CHASSIS

TB3-G611002

AIR CLEANER GROUP(3C100)



A : CS2210(WY8200001~)

No.	Part Number	Description	Qty					I.C	Remark
			A	B	C	D	E		
1	U3210-73102	AIR CLEANER ASSY	1						
2	U3210-73111	BODY	1						
3	U3210-73121	FILTER, ELEMENT ASSY	1						
4	U3210-73131	COVER	1						
5	U3210-73141	CLAMP	2						
6	U3210-73151	VACUATE, VALVE	1						
7	TB36-0577A	HOSE, SUCTION	1						OD 51 / ID 44
8	TB36-0888A	HOSE, SUCTION-INLET	1						OD 51 / ID 44
9	TB36-0959A	PIPE, CONNECTING	1						OD 42.7 / ID 39.5
10	TB36-0889A	HOSE, SUCTION	1						OD 51 / ID 44
11	09318-87057	HOSE CLAMP	5						Φ33
12	TB36-0890A	SUPPORT, AIR CLEANER	1						
13	TB36-0893A	COLLAR	1						T3.2
14	TB36-0922A	PLATE, CONNECTING	1						
15	01123-50816	Hex Head Cap Screw	6						M8XP1.25
16	TB36-0924A	PLATE, SUPPORT BEARING-FULLY	1						
17	TB36-0930A	BODY, TENSION PULLEY	1						
18	04611-00350	CIR CLIP, INTERNAL v	1						SK5M

----> Old replace New
 <----> Interchangeable

<---- New replace Old
 <-O-> Interchangeable with another part(s)

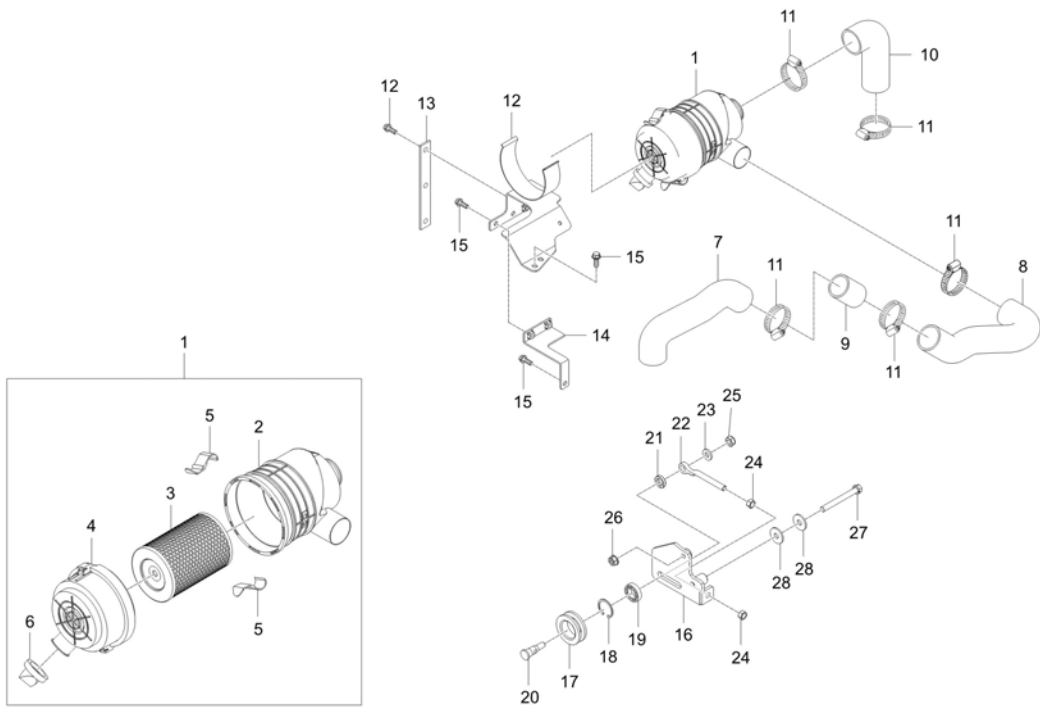
<-X-> Not interchangeable

* Please place an order assy(*)

CHASSIS

TB3-G611002

AIR CLEANER GROUP(3C100)



A : CS2210(WY8200001~)

No.	Part Number	Description	Qty					I.C	Remark
			A	B	C	D	E		
19	E7310-76191	BEARING, BALL	1						
20	E7300-05304	SHAFT, PULLEY	1						
21	76KB-0511	COLLAR	1						DIA25*10
22	E7310-76161	BOLT, TENSION dnr v	1						
23	76KB-0512	WASHER	1						10.5*22*T3.2
24	02176-50100	NUT v	2						M10XP1.25
25	41182-5151-1	NUT, REMOVE CHECK	1						DIA10
26	02763-50080	FLANGE NUT	1						M8XP1.25
27	01133-51090	BOLT	1						P1.25
28	04015-50100	WASHER, PLAIN	2						M10
28	TB36-1185A	WASHER, PLAIN	2					<-----	T2.9

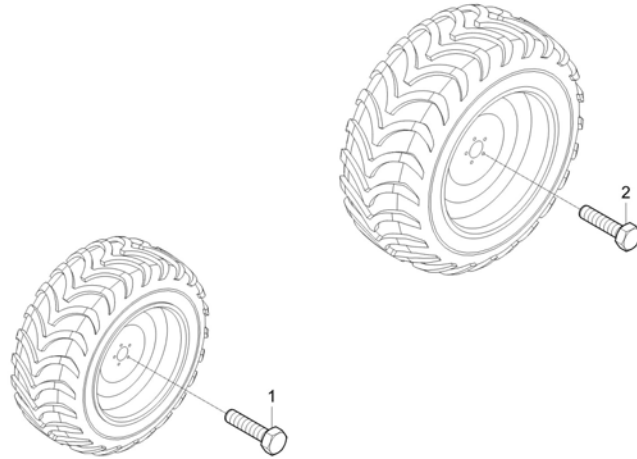
----> Old replace New
 <----> Interchangeable
 * Please place an order assy(*)

<----- New replace Old
 <-O-> Interchangeable with another part(s)

<-X-> Not interchangeable

T2555-G360

WHEEL BOLT GROUP



A : CS2210(WY8200001~)

No.	Part Number	Description	Qty					I.C	Remark
			A	B	C	D	E		
1	T2555-47611	BOLT	10						
2	T2555-27611	BOLT	10						

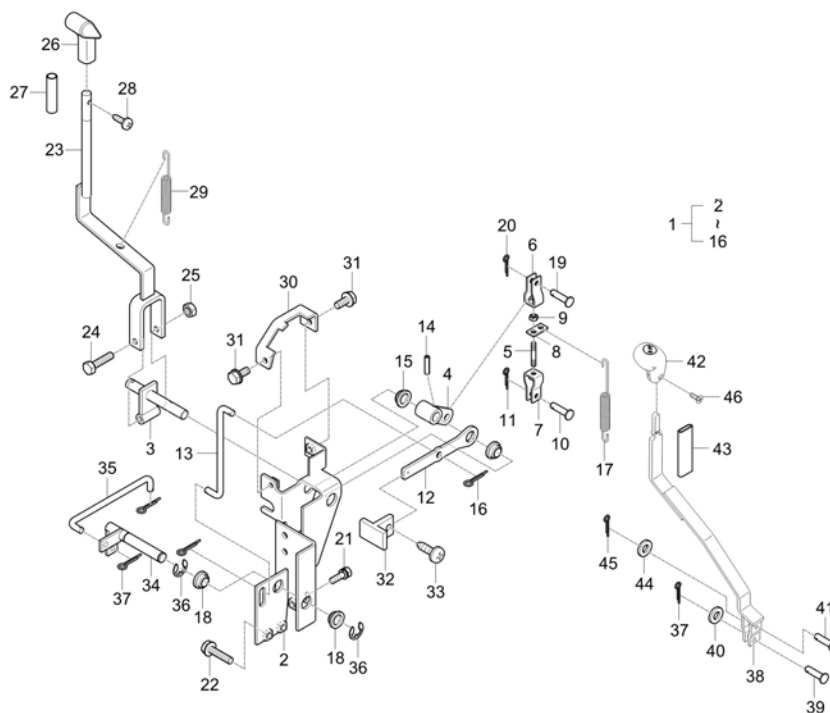
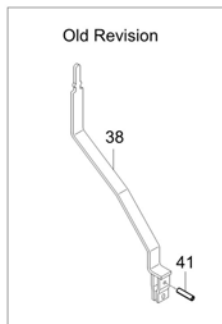
----> Old replace New
 <----> Interchangeable
 * Please place an order assy(*)

<---- New replace Old
 <-O-> Interchangeable with another part(s)

<-X-> Not interchangeable

T2555-G412

CONTROL LEVER, RH GROUP



A : CS2210(WY8200001~)

No.	Part Number	Description	Qty					I.C	Remark
			A	B	C	D	E		
1	T2555-61202	BRACKET ASSY, PTO LEVER	1						
2	T2555-61211	GUIDE, PTO	1						
3	T2555-60121	ARM 1, PTO	1						
4	T2555-60132	ARM 2, PTO	1						
5	T2555-60141	BOLT, STUD	1						
6	T2555-60161	FORK JOINT	1						
7	T2555-60151	FORK JOINT	1						
8	T2555-60171	HOLDING, SPRING	1						
9	02176-50100	NUT v	1						M10XP1.25
10	05112-51020	DOWEL PIN	1						
11	05511-50325	PIN, SPLIT v	1						
12	T2555-60181	LEVER, 4WD	1						
13	T2555-60192	ROD, 4WD	1						
14	05411-00625	PIN, SPRING v	1						DIA6.4XL25
15	T2555-60751	BUSH	2						-
16	05511-50220	PIN, SPLIT	2						DIA1.8XL20
17	T2555-61042	FRICTION SPRING	1						
18	T2555-60751	BUSH	2						-

----- Old replace New
 <----- Interchangeable

<----- New replace Old
 <-O-> Interchangeable with another part(s)

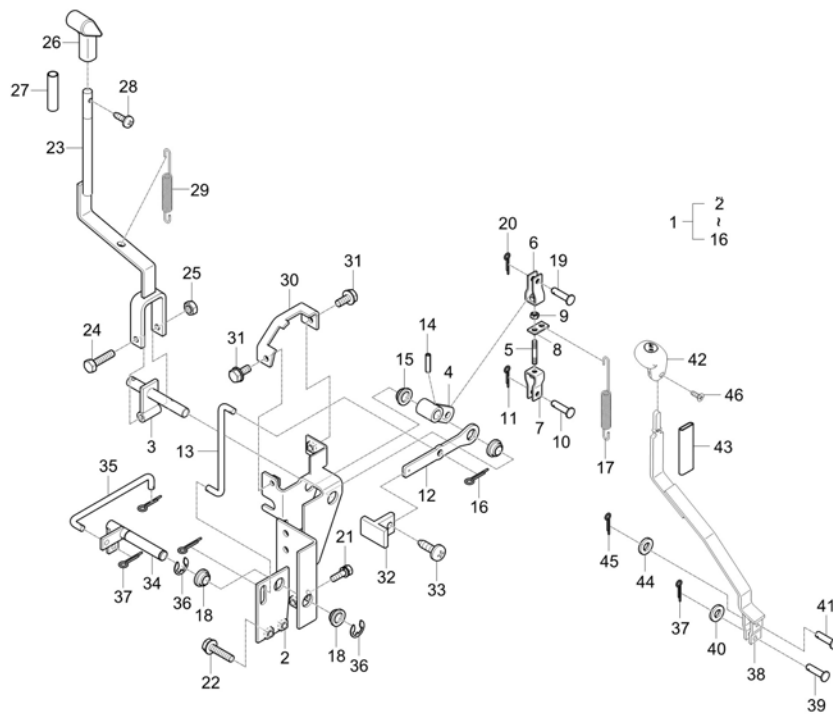
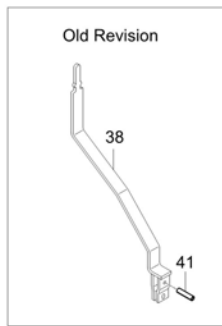
<-X-> Not interchangeable

* Please place an order assy(*)

CHASSIS

T2555-G412

CONTROL LEVER, RH GROUP



A : CS2210(WY8200001~)

No.	Part Number	Description	Qty					I.C	Remark
			A	B	C	D	E		
19	05112-51022	PIN, JOINT	1						DIA12
20	05511-50325	PIN, SPLIT v	1						
21	01123-50825	BOLT WITH WASHER	2						M8XP1.25
22	01754-50816	BOLT, FLANGE	4						M8XP1.25
23	T2555-60911	LEVER, PTO	1						
24	01123-50860	WASHER BOLT	1						M8*1.25
25	T2555-58731	NUT	1						
26	T2555-60921	GRIP, PTO	1						
27	T2555-61331	TUBE, VINYL	1						
28	03024-50514	BOLT,SCREW	1						
29	T2555-61032	FRICTION SPRING	1						
30	T2555-61322	GUIDE	1						N
31	01754-50816	BOLT, FLANGE	2						M8XP1.25
32	T2555-61521	GRIP, 4WD	1						-
33	03024-50512	BOLT,SCREW	1						M5XP0.8
34	T2555-61531	ARM, 4WD	1						
35	T2555-61541	ROD	1						
36	04613-50120	SNAP RING	2						

----> Old replace New
 <----> Interchangeable

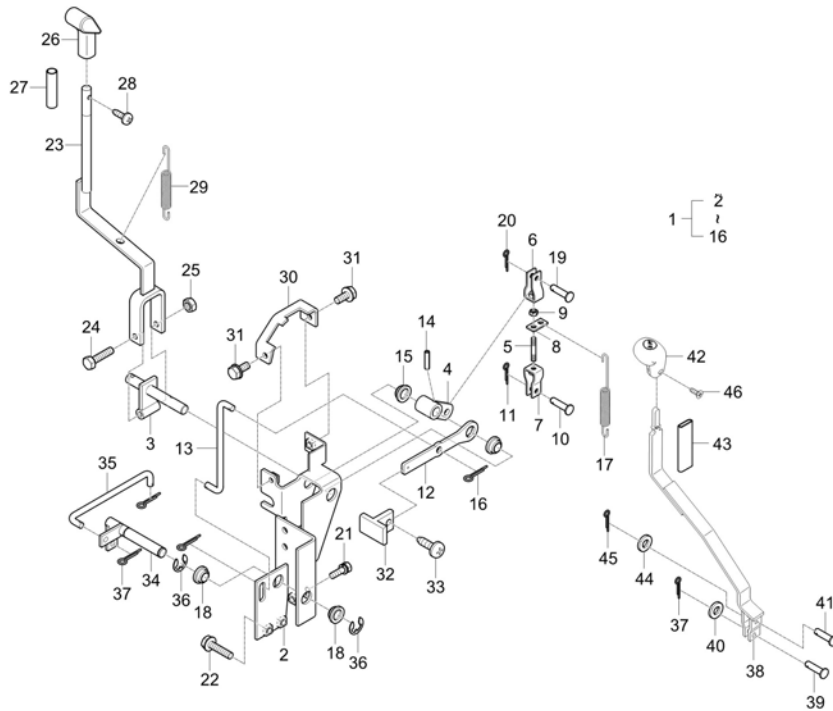
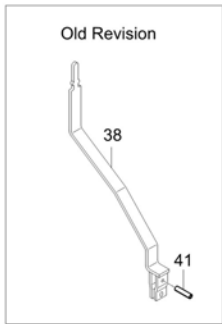
<---- New replace Old
 <-O-> Interchangeable with another part(s)

<-X-> Not interchangeable

* Please place an order assy(*)

T2555-G412

CONTROL LEVER, RH GROUP



A : CS2210(WY8200001~)

No.	Part Number	Description	Qty					I.C	Remark
			A	B	C	D	E		
37	05511-50220	PIN, SPLIT	2						DIA1.8XL20
38	T2555-65435	LEVER, HYDRAULIC	1						-
39	05122-50620	PIN, JOINT v	1						
40	04012-50050	WASHER, PLAIN	2						M5
41	05112-50525	PIN JOINT	1						DIA5XL25
42	TB26-0199A	GRIP-HYDRAULIC	1						
43	T2555-60551	TUBE, VINYL	1						-
44	04012-50050	WASHER, PLAIN	2						M5
45	05511-50115	PIN, SPLIT	2						
46	03024-50512	BOLT,SCREW	1						M5XP0.8

----> Old replace New
 <----> Interchangeable

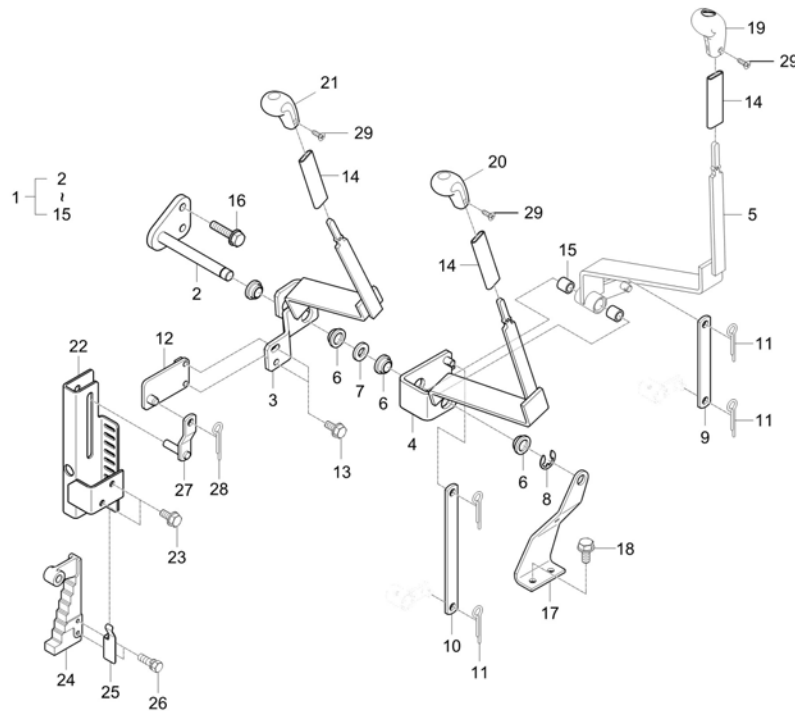
<---- New replace Old
 <-O-> Interchangeable with another part(s)

<-X-> Not interchangeable

* Please place an order assy(*)

T2555-G416

CONTROL LEVER, LH GROUP



A : CS2210(WY8200001~)

No.	Part Number	Description	Qty					I.C	Remark
			A	B	C	D	E		
1	T2555-60606	LEVER ASSY, LH	1						-
2	T2555-60661	SHAFT LEVER, SUB SHIFT	1						
3	T2555-60675	LEVER, MOWER DECK HEIGHT	1						-
4	T2555-60773	LEVER, PTO SELECT	1						-
5	T2555-60434	LEVER, RANGE	1						-
6	T2555-60751	BUSH	4						-
7	04011-50140	WASHER, PLAIN	1						T2.6
8	04613-50120	SNAP RING	1						
9	T2555-60422	PLATE, SUB SHIFT	1						-
10	T2555-60781	PLATE, PTO SELECT	1						
11	05515-51200	SPLIT PIN	2						DIA12
12	T2555-60681	PLATE, MOWER DECK	1						
13	01123-50816	Hex Head Cap Screw	2						M8XP1.25
14	T2555-60541	TUBE, VINYL	3						
15	08511-01515	BUSH	2						MB1515DU
16	01133-51025	BOLT	2						M10XP1.25
17	T2555-60651	GUIDE, RANGE	1						
18	01754-50820	BOLT, FLANGE	4						M8XP1.25

----> Old replace New
 <----> Interchangeable

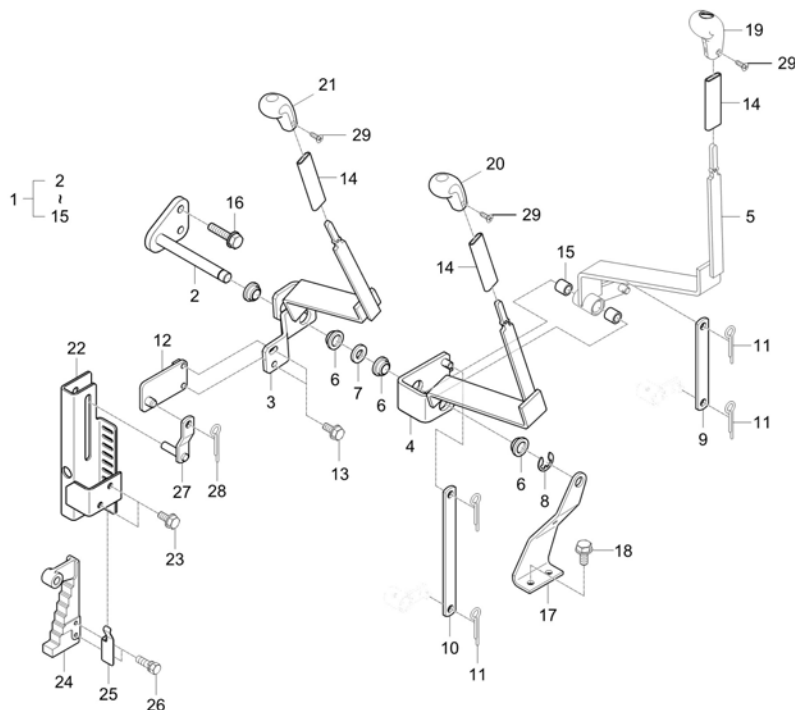
<---- New replace Old
 <-O-> Interchangeable with another part(s)

<-X-> Not interchangeable

* Please place an order assy(*)

T2555-G416

CONTROL LEVER, LH GROUP



A : CS2210(WY8200001~)

No.	Part Number	Description	Qty					I.C	Remark
			A	B	C	D	E		
19	TB26-0202A	GRIP-RANGE	1						
20	TB26-0200A	GRIP-PTO	1						
21	TB26-0201A	GRIP-MOWER	1						
22	T2555-60711	BRACKET, MOWER DECK	1						
23	01754-50816	BOLT, FLANGE	2						M8XP1.25
24	T2555-60632	ARM, MOWER DECK	1						N
25	T2555-60741	PLATE SPRING, MOWER DECK	1						
26	01025-50612	WASHER BOLT	2						M6P1.0
27	T2555-60721	LEVER 2, MOWER DECK	1						
28	05511-50320	PIN, SPLIT	3						M3.2*20
29	03024-50512	BOLT,SCREW	3						M5XP0.8

----> Old replace New
 <----> Interchangeable

<---- New replace Old
 <-O-> Interchangeable with another part(s)

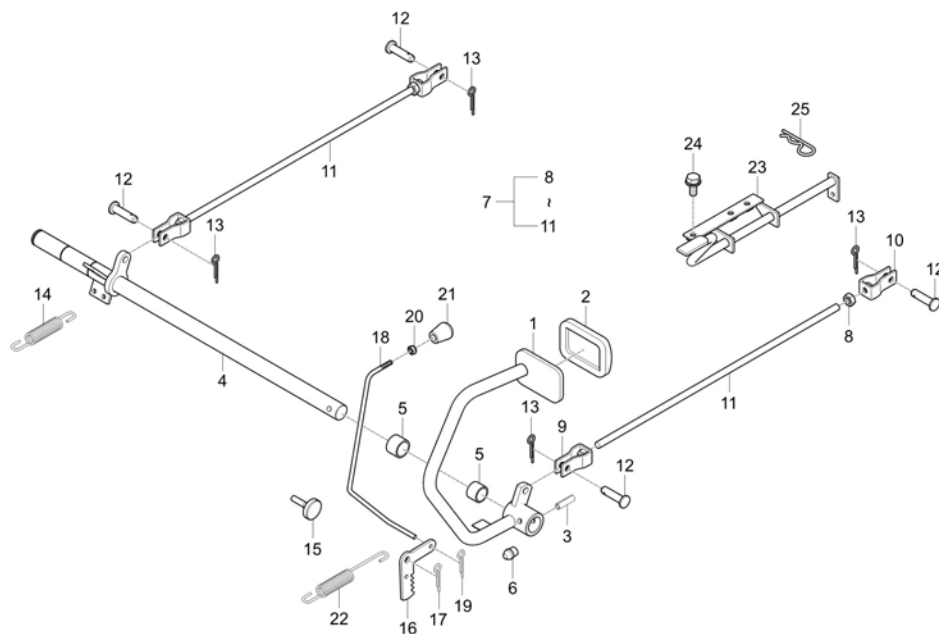
<-X-> Not interchangeable

* Please place an order assy(*)

CHASSIS

T2555-G418

BRAKE PEDAL GROUP



A : CS2210(WY8200001~)

No.	Part Number	Description	Qty					I.C	Remark
			A	B	C	D	E		
1	T2555-55713	PEDAL, BRAKE	1						-
2	T2670-55531	COVER,PEDAL	1						
3	05411-00840	PIN, SPRING	1						DIA8*40
4	T2555-55732	PEDAL SHAFT, BRAKE	1						
5	08511-02525	BUSH v	2						MB2525DU
6	06613-10675	GREASE NIPPLE	1						M6XP0.75
7	T2555-55741	ROD ASSY, BRAKE	2						
8	02176-50100	NUT v	1						M10XP1.25
9	T2555-60151	FORK JOINT	1						
10	T2555-60161	FORK JOINT	1						
11	T2555-55751	ROD, BRAKE	1						
12	05122-51025	JOINT PIN	4						DIA10*25
13	05511-50325	PIN, SPLIT v	4						
14	T2555-61052	FRICITION SPRING	1						
15	K9100-50241	CHSSING	1						
16	T2555-55901	BRACKET BRAKE	1						
17	05511-50320	PIN, SPLIT	1						M3.2*20
18	T2555-55912	LEVER, PARKING BRAKE	1						

----> Old replace New
 <----> Interchangeable

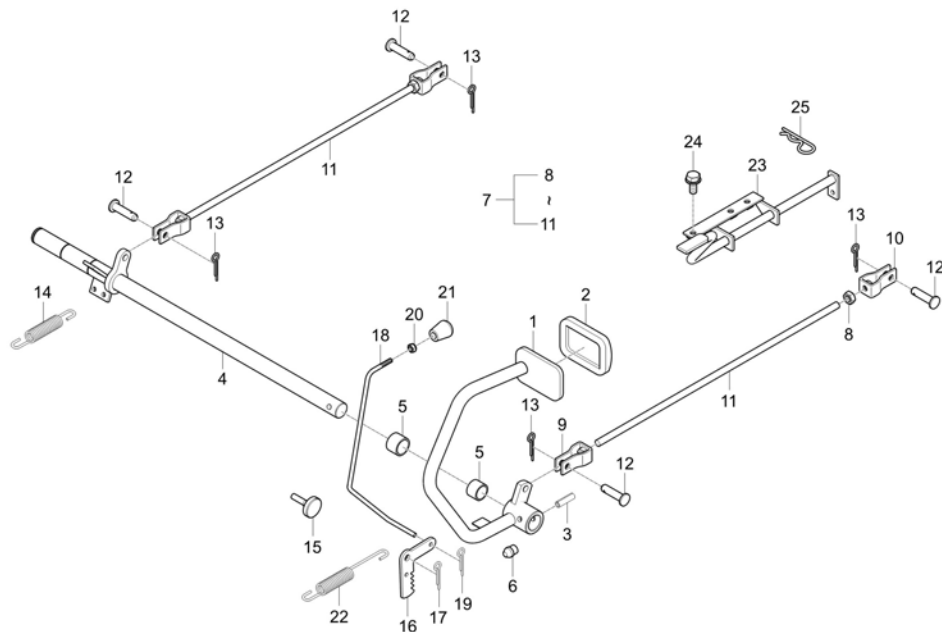
<---- New replace Old
 <-O-> Interchangeable with another part(s)

<-X-> Not interchangeable

* Please place an order assy(*)

T2555-G418

BRAKE PEDAL GROUP



A : CS2210(WY8200001~)

No.	Part Number	Description	Qty					I.C	Remark
			A	B	C	D	E		
19	05511-50220	PIN, SPLIT	2						DIA1.8XL20
20	T2555-58721	NUT	1						-
21	T2555-55921	GRIP, PARKING BRAKE	1						
22	T2555-61062	FRICTION SPRING	1						
23	T2555-65023	PEDAL, DIFFERENTIAL LOCK	1						-
24	01123-50820	BOLT, WASHER v	1						M8XP1.25
25	05511-50320	PIN, SPLIT	1						M3.2*20

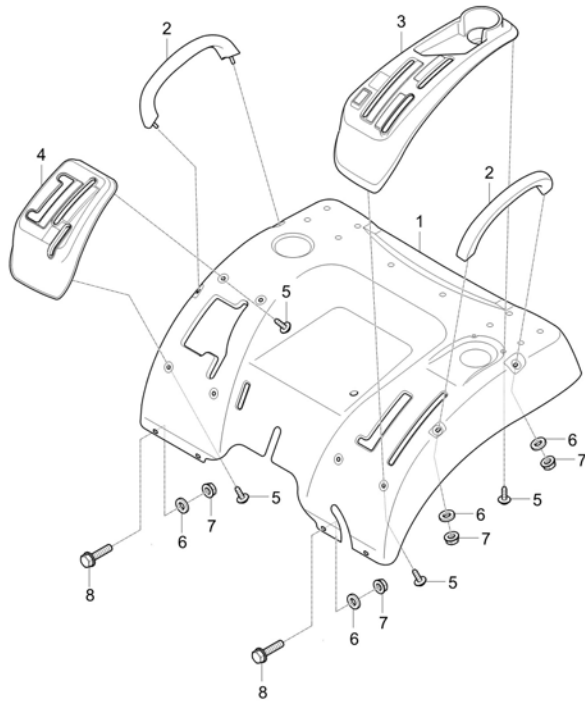
----> Old replace New
 <----> Interchangeable
 * Please place an order assy(*)

<---- New replace Old
 <-O-> Interchangeable with another part(s)

<-X-> Not interchangeable

T2555-G426

FENDER GROUP



A : CS2210(WY8200001~)

No.	Part Number	Description	Qty					I.C	Remark
			A	B	C	D	E		
1	T2555-95161OE	TRK - FENDER v	1						T1.0
1	T2555-95162	FENDER	1					<----->	T1.0
2	T2555-95082	HANDLE, FENDER	2						
3	T2555-95434	LEVER GUIDE, LH	1						-
4	T2555-95533	LEVER GUIDE, RH	1						-
5	38240-1823-1	BOLT, TAPPING SCREW	8						
6	T2555-58571	WASHER	8						
7	02751-50080	FLANGE NUT 8MMX1.25P	8						M8XP1.25
8	01754-50820	BOLT, FLANGE	4						M8XP1.25

----- Old replace New
 <-----> Interchangeable
 * Please place an order assy(*)

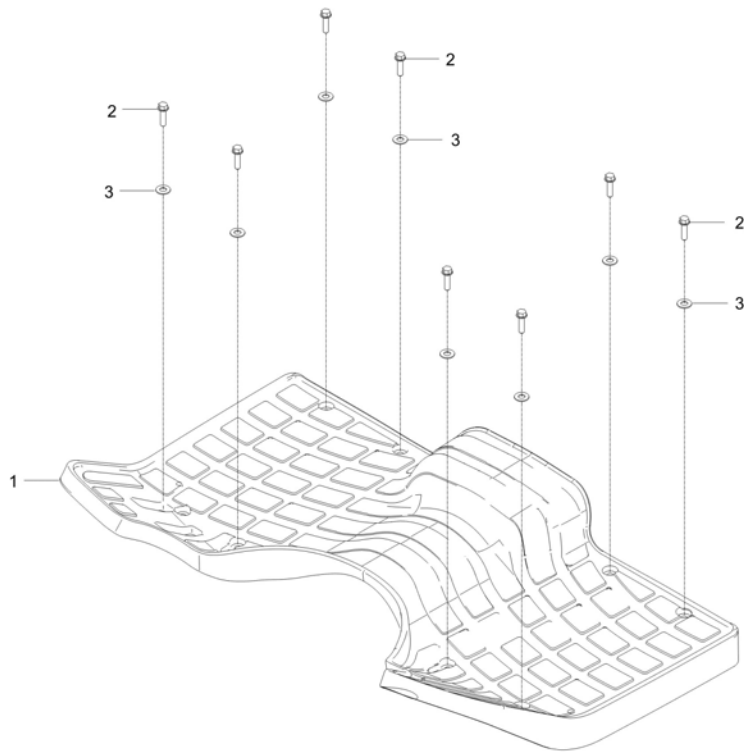
<----- New replace Old
 <-O-> Interchangeable with another part(s)

<-X-> Not interchangeable

CHASSIS

T2555-G436

STEP GROUP



A : CS2210(WY8200001~)

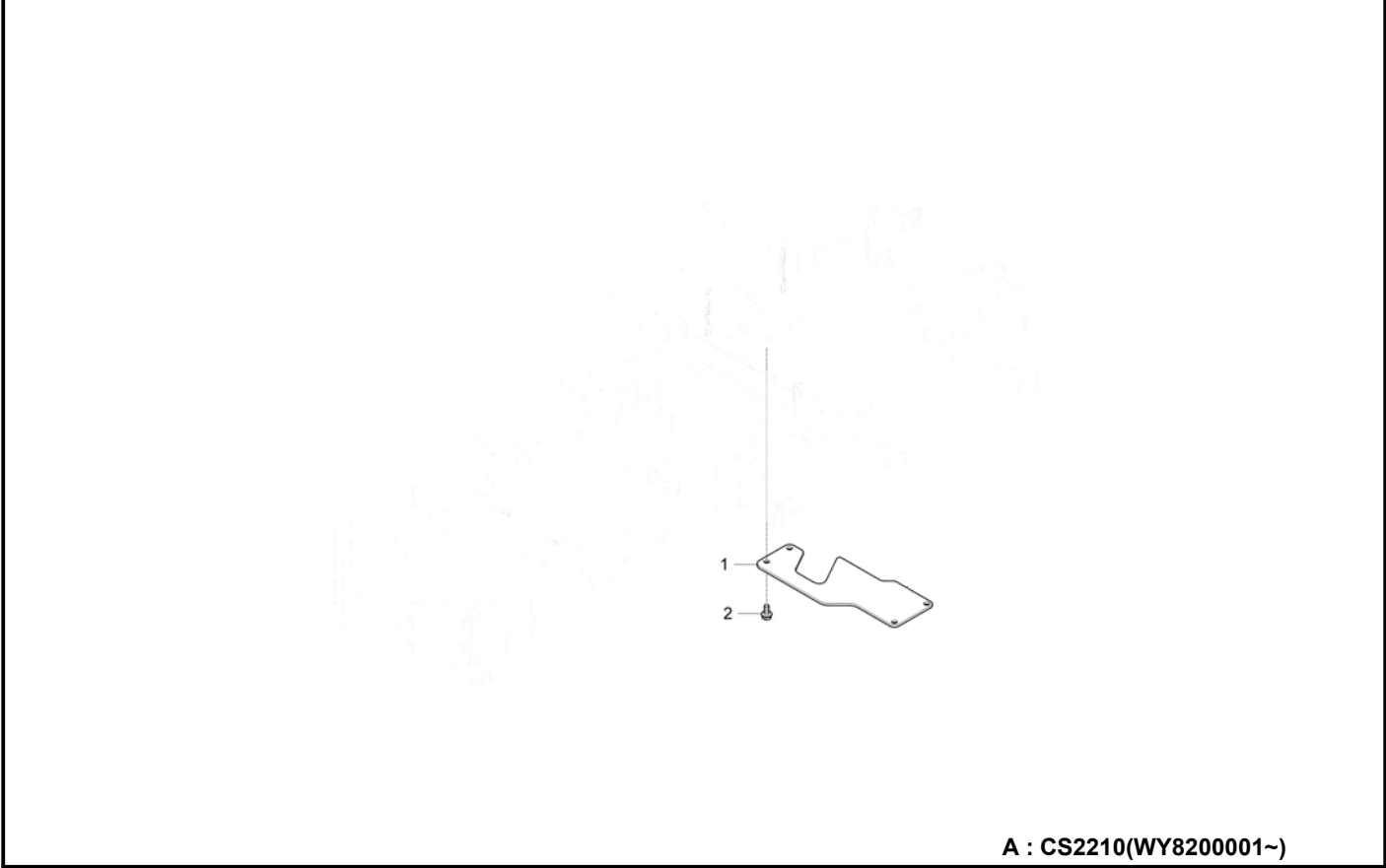
No.	Part Number	Description	Qty					I.C	Remark
			A	B	C	D	E		
1	T2555-70113	STEP v	1						N
2	01754-50830	BOLT FLANGE	8						M8*P1.25
3	04013-50100	PLAIN WASHER	8						M10

----> Old replace New
 <----> Interchangeable
 * Please place an order assy(*)

<---- New replace Old
 <-O-> Interchangeable with another part(s)

<-X-> Not interchangeable

T2555-G446 **HST PAN PROTECTION COVER GROUP**



A : CS2210(WY8200001~)

No.	Part Number	Description	Qty					I.C	Remark
			A	B	C	D	E		
1	T2555-38641	COVER, PROTECT HST	1						
1	T2555-38642	COVER, PROTECT HST	1					<-----	T2.3
2	01754-50816	BOLT, FLANGE	4						M8XP1.25

----> Old replace New
 <----> Interchangeable
 * Please place an order assy(*)

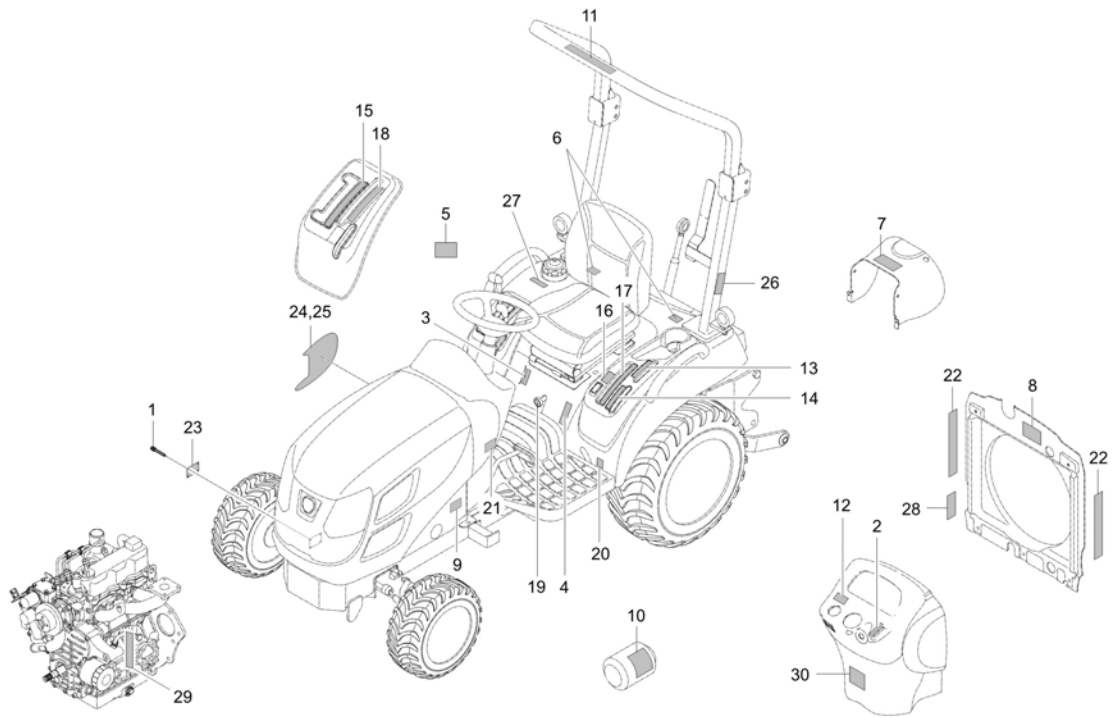
<---- New replace Old
 <-O-> Interchangeable with another part(s)

<-X-> Not interchangeable

CHASSIS

TB2-G6D5003

LABEL GROUP



A : CS2210(WY8200001~)

No.	Part Number	Description	Qty					I.C	Remark
			A	B	C	D	E		
1	05624-20408	RIVET	4						
2	T2350-53112	LABEL, HAND ACCLE	1						T0.05-T0.08
3	T2445-48174	NAME,PLATE	1						
4	T2555-52141	LABEL,CAUTION	1						
5	T2555-52191	CAUTION PLATE, ENGINE OIL	1						
6	T2555-52231	LABEL, WARNING	2						
7	T2555-52262	LABEL, CAUTION	1						
8	T2555-52282	LABEL RADIATOR v	1						
9	T2555-52311	LABEL, WARNING	2						
10	T2555-52332	PLATE,NAME	1						
11	T2555-52353	ROPS LABEL	1						
12	T2555-52362	CAUTION PLATE, HST v	1						
13	T2555-52432	LABEL	1						
14	T2555-52442	PTO LEVER LABEL	1						
15	T2555-52452	LABEL, PTO	1						
16	T2555-52472	LABEL, CAUTION	1						
17	T2555-52481	LABEL, MOWER DECK	1						
18	T2555-52512	LABEL,POSITION CONTROL	1						

----> Old replace New
 <----> Interchangeable

<---- New replace Old
 <-O-> Interchangeable with another part(s)

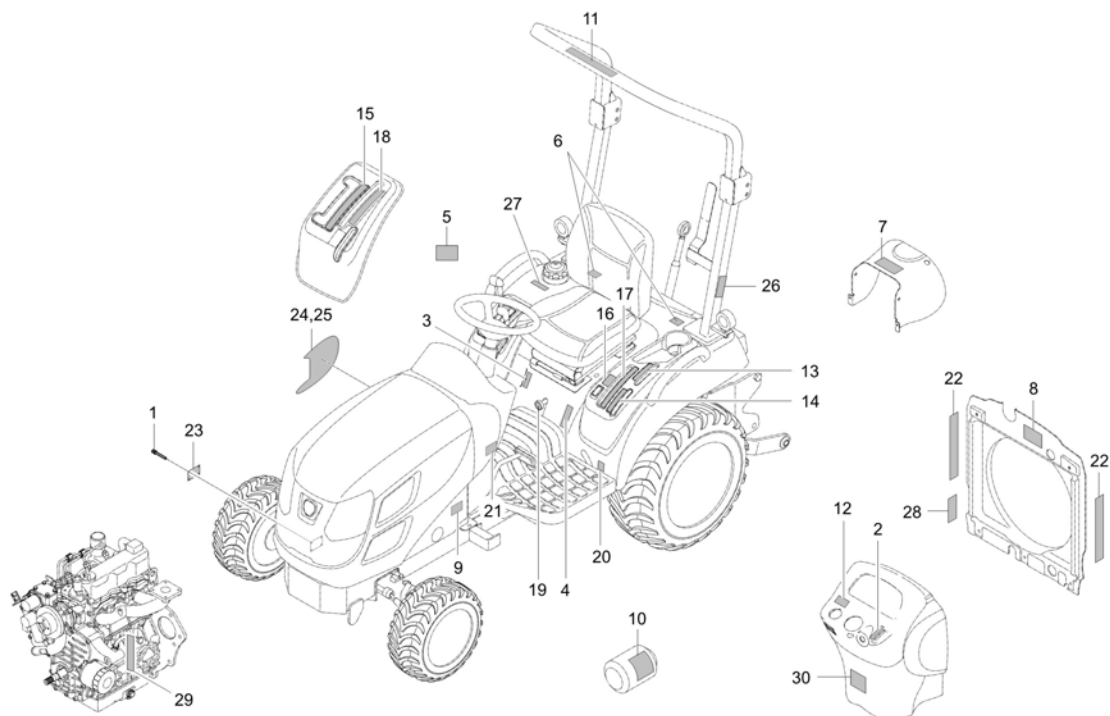
<-X-> Not interchangeable

* Please place an order assy(*)

CHASSIS

TB2-G6D5003

LABEL GROUP



A : CS2210(WY8200001~)

No.	Part Number	Description	Qty					I.C	Remark
			A	B	C	D	E		
19	T2610-52461	LABEL, SPEED CONTROL	1						
20	T2611-26693	LABEL, DIFFERENTIAL FIXING	1						
21	T4125-53121	LABEL,PARKING	1						
22	T4625-52351	LABEL, FAN CAUTION	2						
23	T4935-52011	NAME PLATE	1						T0.5
24	TB26-0004A	LABEL, MODEL-LH CS2210	1						
25	TB26-0005A	LABEL, MODEL-RH CS2210	1						
26	TB26-0027A	LABEL, CERTIFICATE ROPS	1						
26	TB26-0027B	LABEL, CERTIFICATE ROPS	1					<-----	
27	TC26-0388A	LABEL, WARNING FUELING	1						
28	TG16-1530A	DAEDONGOILLABEL(EN)	1						80 x 35
28	TG16-1530B	DAEDONG OIL LABEL	1					<-----	80 x 35
29	TG16-1540A	DAEDONGOILLABEL(EN)	1						135 x 35
30	TD26-1009B	LABEL, WARNING	1						-

----> Old replace New
 <----> Interchangeable

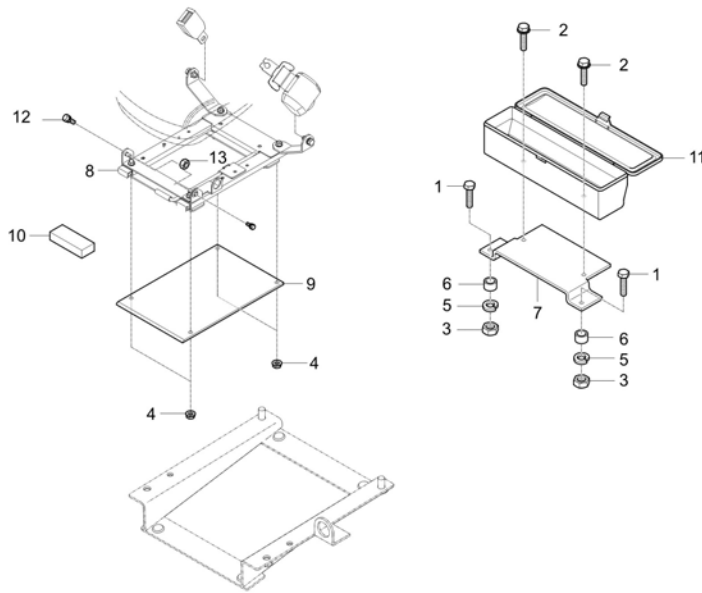
<---- New replace Old
 <-O-> Interchangeable with another part(s)

<-X-> Not interchangeable

* Please place an order assy(*)

TB2-G661002

SEAT GROUP



A : CS2210(WY8200001~)

No.	Part Number	Description	Qty					I.C	Remark
			A	B	C	D	E		
1	01153-50830	BOLT	2						
2	01754-50816	BOLT, FLANGE	2						M8XP1.25
3	02156-50080	NUT v	2						M8XP1.25
4	02751-50080	FLANGE NUT 8MMX1.25P	4						M8XP1.25
5	04512-50080	SPRING WASHER	2						M08
6	T2350-50421	SPACER	2						DIA13.8XT2.3
7	T2555-70313	PLATE, HOLDER	1						
8	T2555-70682	ASSY SUPPORT	1						
9	T2555-70752	FLOOR1 SEAT	1						T2.3
10	T2555-70792	RUBBER, CUSHION	1						
11	T4930-70492	BOX, TOOLS	1						
12	TB26-0053A	BOLT FOR CS SUSPENSION	2						
13	TB26-0054A	NUT FOR CS SUSPENSION	2						

----> Old replace New
 <----> Interchangeable

<---- New replace Old
 <-O-> Interchangeable with another part(s)

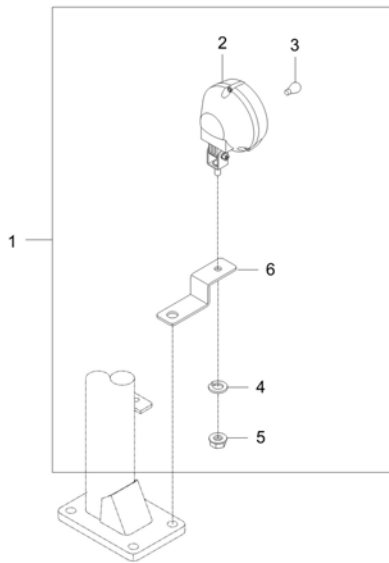
<-X-> Not interchangeable

* Please place an order assy(*)

OPTION

TB2-G593101

REAR WORKING LAMP GROUP(OPTION)



A : CS2210(WY8200001~)

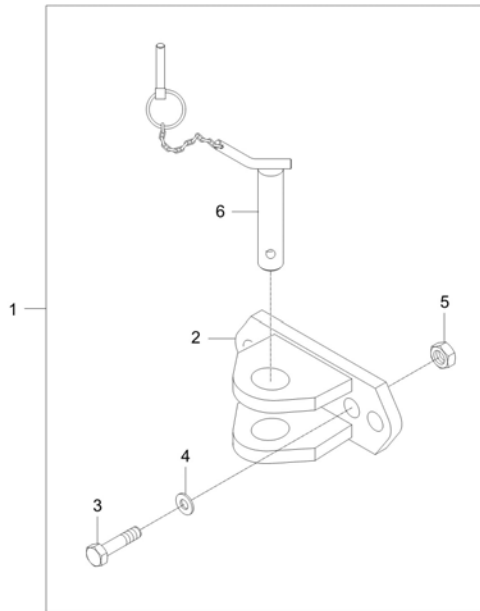
No.	Part Number	Description	Qty					I.C	Remark
			A	B	C	D	E		
1	T2555-A06062101	KIT, WORKING LAMP	1						
2	T2350-46612	WORKING LIGHT ASSY	1						
3	T4620-69272	BULB (12V 21W)	1						12V21W (S25S)
4	04512-50080	SPRING WASHER	1						M08
5	02114-50080	NUT v	1						M8*P1.25
6	T2555-64491	BRACKET	1						T3.0

----> Old replace New <---- New replace Old <-X-> Not interchangeable
 <----> Interchangeable <-O-> Interchangeable with another part(s)

* Please place an order assy(*)

TB2-G6G1401

TOWING HOOK GROUP(OPTION)



A : CS2210(WY8200001~)

No.	Part Number	Description	Qty					I.C	Remark
			A	B	C	D	E		
1	T2558-A06044101	TOWING HOOK KIT	1						
2	T2558-78012	HITCH FRONT	1						
3	01173-51645	Hex Head Cap Screw	2						
4	04011-50160	PLAIN WASHER	2						M16
5	02176-50160	NUT v	2						M16*P1.5
6	T2611-50041	PIN, CONNECTING	1						

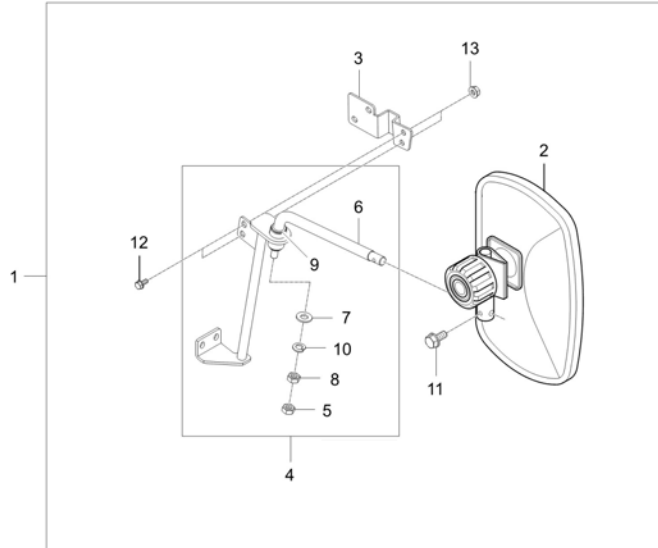
----> Old replace New
 <----> Interchangeable
 * Please place an order assy(*)

<---- New replace Old
 <-O-> Interchangeable with another part(s)

<-X-> Not interchangeable

TB2-G6G3802

REAR VIEW MIRROR GROUP(OPTION)



A : CS2210(WY8200001~)

No.	Part Number	Description	Qty					I.C	Remark
			A	B	C	D	E		
1	TB26-A0019A	SIDE MIRROR KIT	1						
2	T2611-87823	REARVIEW MIRROR	1						-
3	T2558-50931	SUPPORT SIDE MIRROR	1						T3.2
4	TB26-0335A	ASSY SUPPORT-LH SIDE MIRROR	1						
5	02176-50100	NUT v	1						M10XP1.25
6	T2558-50921006	ROD	1						DIA16
7	04013-50100	PLAIN WASHER	1						M10
8	02176-50100	NUT v	1						M10XP1.25
9	04013-50100	PLAIN WASHER	1						M10
10	04512-50100	SPRING WASHER	1						M10
11	T4625-55431	FLANGE BOLT	1						
12	01754-50816	BOLT, FLANGE	2						M8XP1.25
13	02751-50080	FLANGE NUT 8MMX1.25P	2						M8XP1.25

----> Old replace New
 <----> Interchangeable

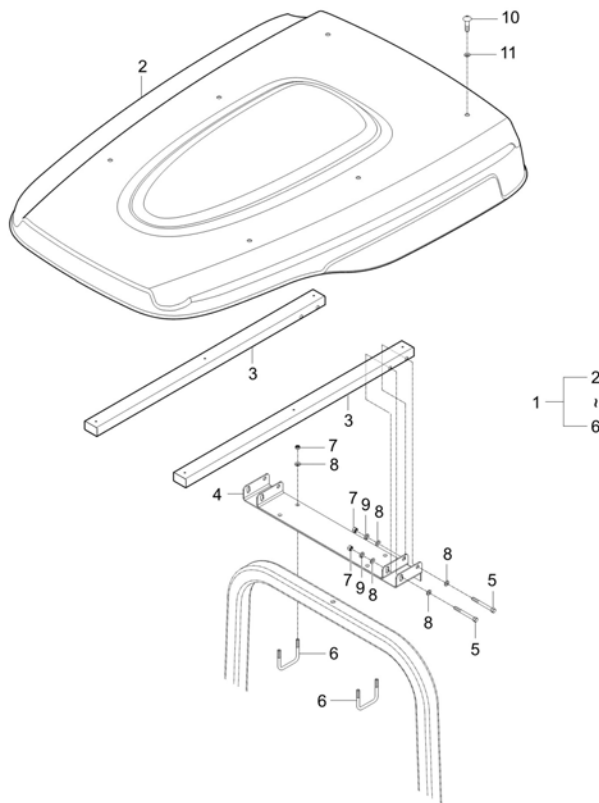
<---- New replace Old
 <-O-> Interchangeable with another part(s)

<-X-> Not interchangeable

* Please place an order assy(*)

T2555-G460

SUNSHADE GROUP



A : CS2210(WY8200001~)

No.	Part Number	Description	Qty					I.C	Remark
			A	B	C	D	E		
1	T2555-85101	ASS'Y, SUNSHADE	1						
2	T2350-85113	SUNROOF	1						T4.0
3	T2350-85121	PIPE	2						50*30*T1.6
4	T2555-85131	ASSY SUPPORT	1						
5	T2350-85101004	BOLT	4						M10x1.5x75
6	T2350-85101005	U BOLT	2						M10x1.5
7	02014-50100	NUT	8						M10XP1.5
8	04013-50100	PLAIN WASHER	12						M10
9	04512-50100	SPRING WASHER	8						M10
10	38240-1883-1	TAPPING SCREW dnr v	6						M4X16
11	04015-50050	WASHER, PLAIN	6						M5

----> Old replace New
 <----> Interchangeable

<---- New replace Old
 <-O-> Interchangeable with another part(s)

<-X-> Not interchangeable

* Please place an order assy(*)

T2555-G499

OPTION GROUP



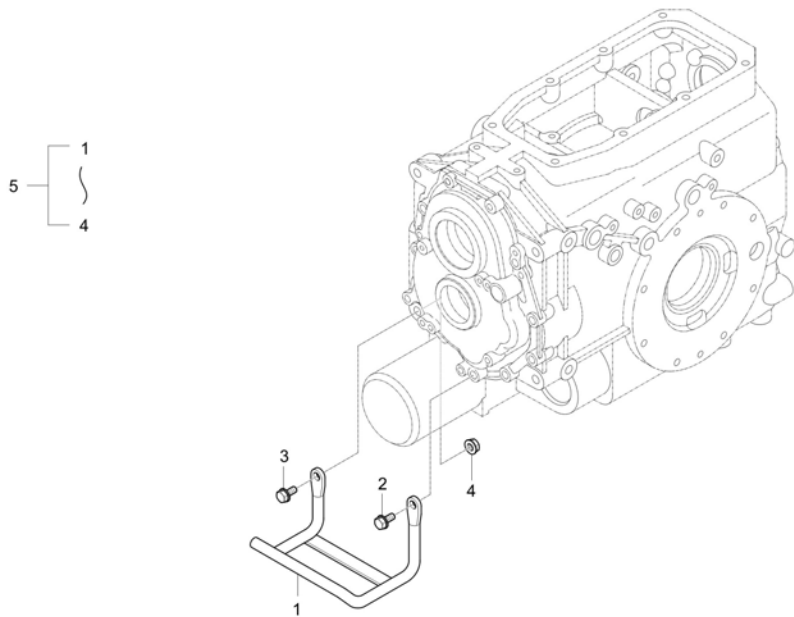
A : CS2210(WY8200001~)

No.	Part Number	Description	Qty					I.C	Remark
			A	B	C	D	E		
1	T5520-75191	DOUBLE SIDED KEY ASSY v	1						
1	TG35-0114A	ASSY KEY	1					<-----	

----- Old replace New <----- New replace Old <-X-> Not interchangeable
 <----> Interchangeable <-O-> Interchangeable with another part(s)
 * Please place an order assy(*)

T2555-G670

FILTER GUARD



A : CS2210(WY8200001~)

No.	Part Number	Description	Qty					I.C	Remark
			A	B	C	D	E		
1	T2555-39111	GUARD	1						
2	01754-50816	BOLT, FLANGE	1						M8XP1.25
3	01754-50820	BOLT, FLANGE	1						M8XP1.25
4	02751-50080	FLANGE NUT 8MMX1.25P	1						M8XP1.25
5	T2555-A06051101	FILTER GUARD	1						

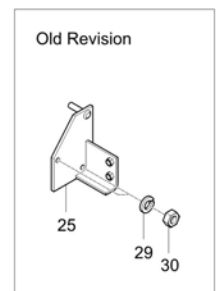
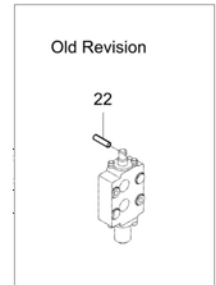
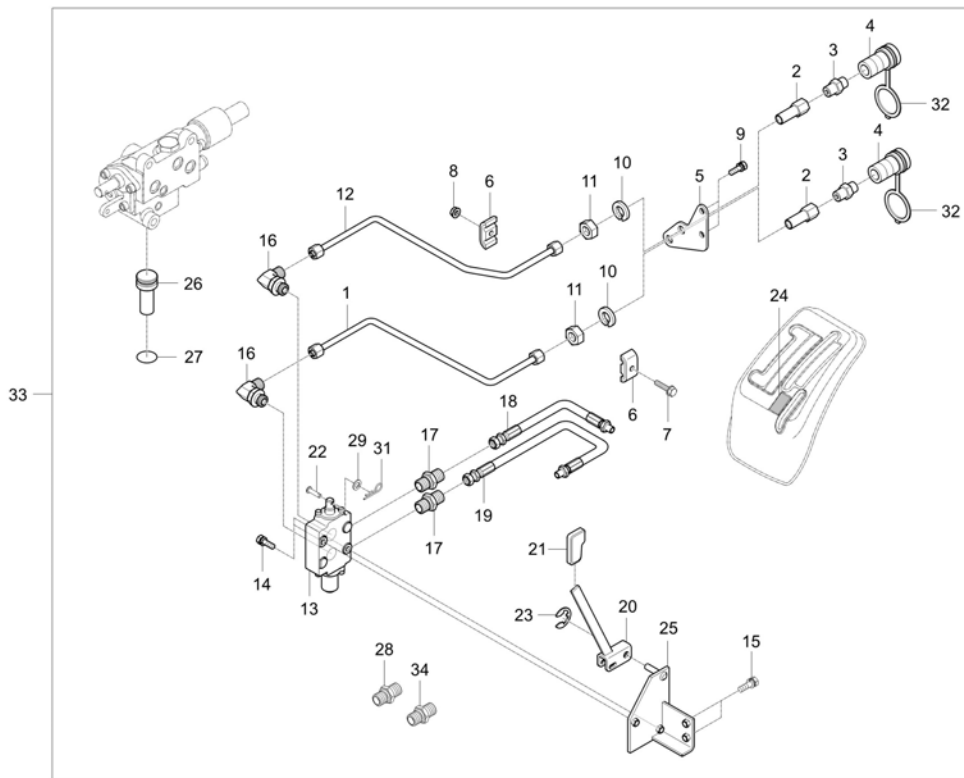
----> Old replace New
 <----> Interchangeable
 * Please place an order assy(*)

<---- New replace Old
 <-O-> Interchangeable with another part(s)

<-X-> Not interchangeable

T2555-G680

TUBE.HYD



A : CS2210(WY8200001~)

No.	Part Number	Description	Qty					I.C	Remark
			A	B	C	D	E		
1	T2555-39131	TUBE B, HYD	1						
2	T2555-36051	CONNECTION	2						
3	T2555-39351	CONNECTION	2						
4	TB34-0085A	COUPLER, QUICK-PT3/8	2						
5	T2555-39421	PLATE	2						
6	T2555-36101	HOLDER, TUBE	2						
7	01754-50630	FLANGE BOLT	1						M6XP1.0
8	02751-50060	NUT, FLANGE	1						M6XP1.0
9	01133-51030	WITH WASHER BOLT	2						M10XP1.25
10	04512-50140	SPRING WASHER	2						
11	02176-50140	NUT	2						M14XP1.5
12	T2555-39121	TUBE A, HYD	1						
13	T2555-39101	Double Acting Valve	1						
14	01153-50855	BOLT	2						HEX12.M8P 1.25
15	01123-50820	BOLT, WASHER v	2						M8XP1.25
16	T2555-39441	ELBOW	2						
17	T4620-66161	CONNECTOR	2						PF1/4
18	T2555-39302	HOSE ASSY, OIL DRAIN	1						

----- Old replace New
 <----- Interchangeable

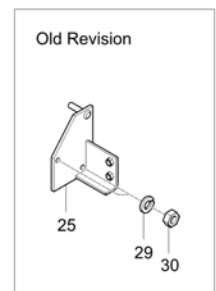
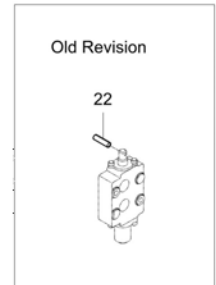
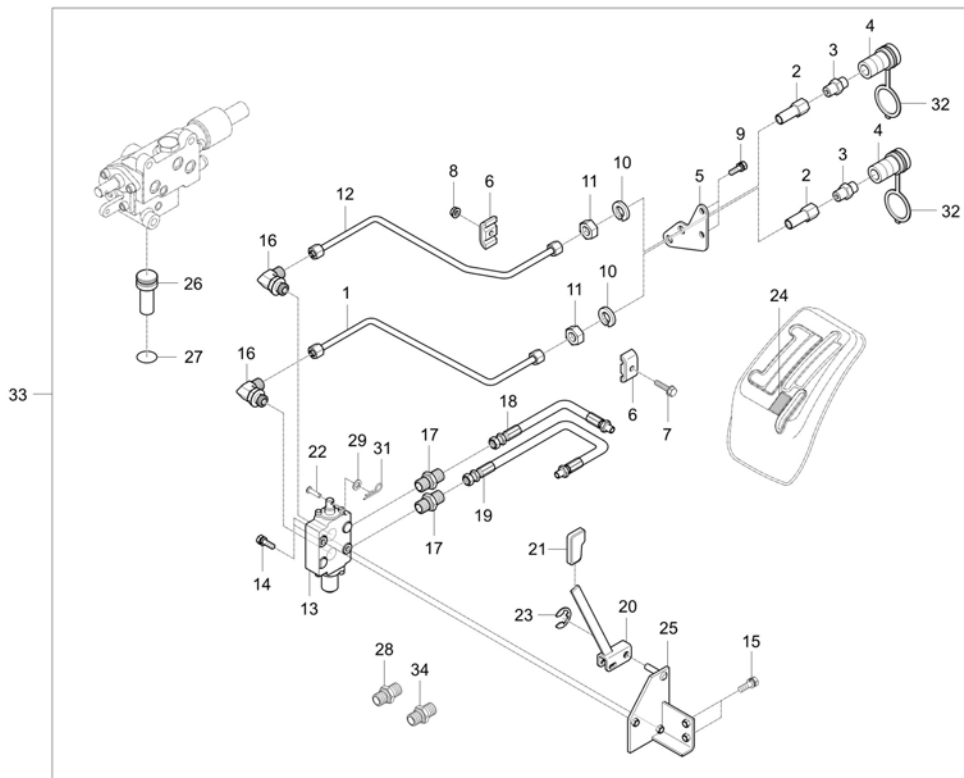
<---- New replace Old
 <-O-> Interchangeable with another part(s)

<-X-> Not interchangeable

* Please place an order assy(*)

T2555-G680

TUBE.HYD



A : CS2210(WY8200001~)

No.	Part Number	Description	Qty					I.C	Remark
			A	B	C	D	E		
19	T2555-39311	HOSE ASSY P	1						
20	T2555-61601	LEVER, DOUBLE ACTING	1						
21	T4260-24462	GRIP v	1						
22	05411-00525	PIN,SPRING	1						DIA5*25
23	04613-50080	SNAP RING	1						DIA08
24	T2555-52742	LABEL	1						
25	T2555-39013	BRACKET	1						
26	T2555-39331	VALVE	1						
27	04811-00100	O RING	1						
28	T2555-39461	CONNECTOR	1						
29	04512-50080	SPRING WASHER	2						M08
30	04012-50050	WASHER, PLAIN	1						M5
31	05525-50500	OB PIN,SNAP	1						DIA5
32	TB14-0018A	CAP, COUPLER SOCKET-3/8 v	2						
33	TB24-A0001A	REAR HYDRAULIC VALVE KIT	1						
34	T4810-45721	CONNECTOR	1						

----> Old replace New
 <----> Interchangeable

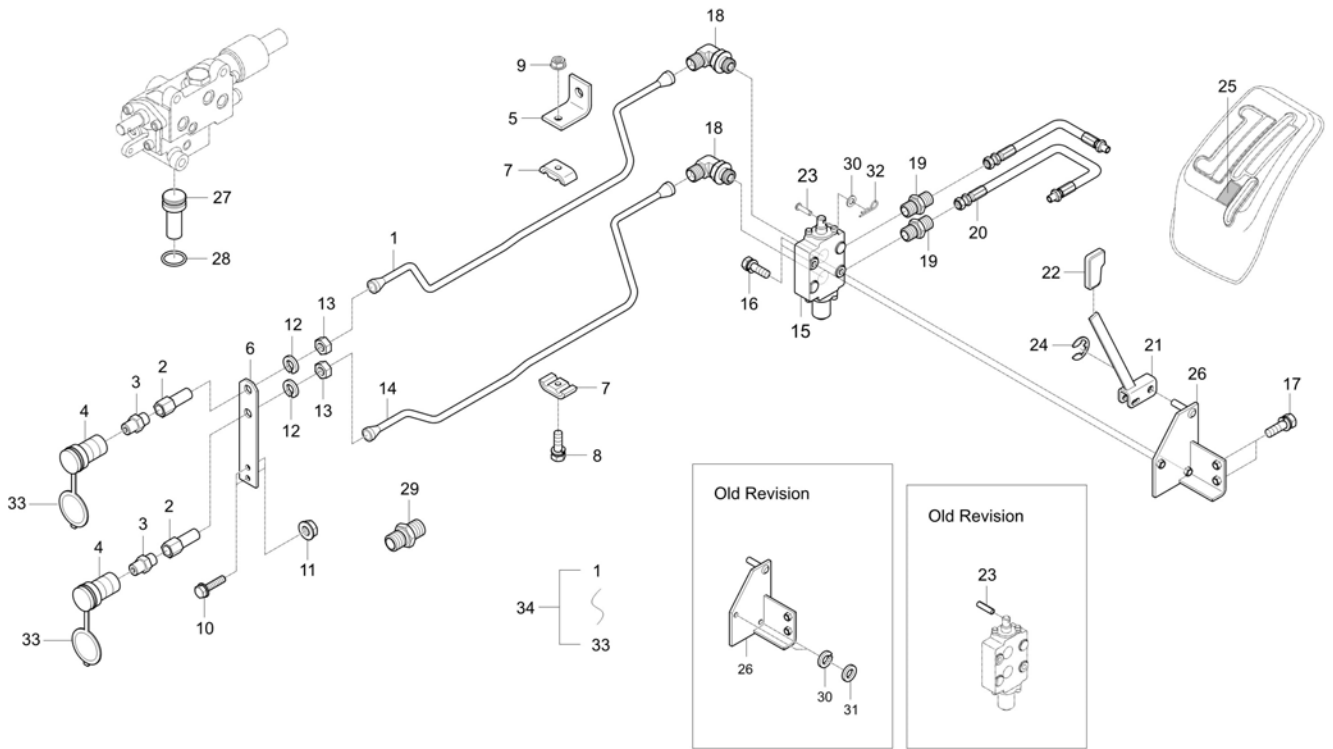
<---- New replace Old
 <-O-> Interchangeable with another part(s)

<-X-> Not interchangeable

* Please place an order assy(*)

T2555-G685

TUBE.HYD



A : CS2210(WY8200001~)

No.	Part Number	Description	Qty					I.C	Remark
			A	B	C	D	E		
1	T2555-39021	TUBE A, HYD	1						
2	T2555-36051	CONNECTION	2						
3	T2555-39351	CONNECTION	2						
4	TB34-0085A	COUPLER, QUICK-PT3/8	2						
5	T2555-39431	STAY,RAIL 3	1						
6	T2555-39451	PLATE	1						
7	T2555-36101	HOLDER, TUBE	1						
8	01754-50630	FLANGE BOLT	1						M6XP1.0
9	02751-50060	NUT, FLANGE	1						M6XP1.0
10	01754-50820	BOLT, FLANGE	2						M8XP1.25
11	02751-50080	FLANGE NUT 8MMX1.25P	2						M8XP1.25
12	04512-50140	SPRING WASHER	2						
13	02176-50140	NUT	2						M14XP1.5
14	T2555-39031	TUBE B, HYD	1						
15	T2555-39101	Double Acting Valve	1						
16	01123-50855	BOLT, WASHER v	2						M8XP1.25
17	01123-50820	BOLT, WASHER v	2						M8XP1.25
18	T2555-39441	ELBOW	2						

----> Old replace New
 <----> Interchangeable

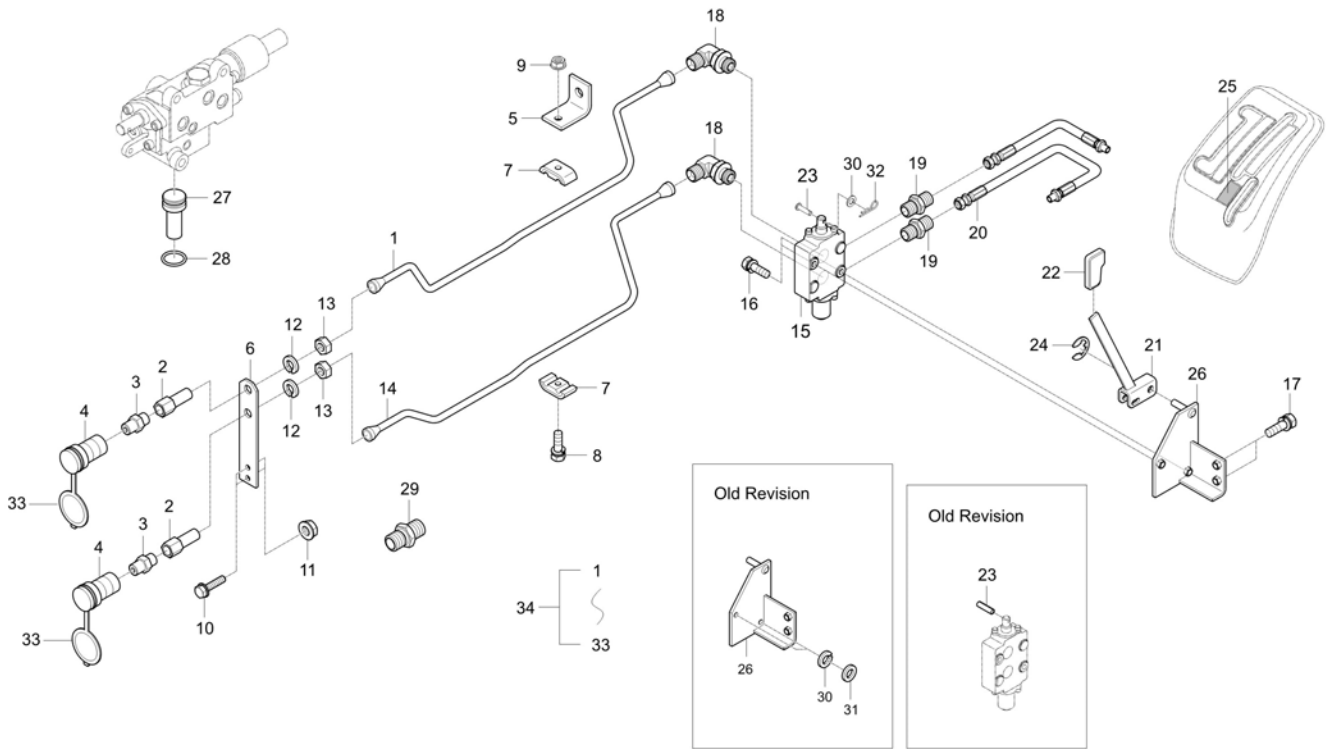
<---- New replace Old
 <-O-> Interchangeable with another part(s)

<-X-> Not interchangeable

* Please place an order assy(*)

T2555-G685

TUBE.HYD



A : CS2210(WY8200001~)

No.	Part Number	Description	Qty					I.C	Remark
			A	B	C	D	E		
19	T4620-66161	CONNECTOR	2						PF1/4
20	T2555-39311	HOSE ASSY P	1						
21	T2555-61601	LEVER, DOUBLE ACTING	1						
22	T4260-24462	GRIP v	1						
23	05112-50525	PIN JOINT	1						DIA5XL25
24	04613-50080	SNAP RING	1						DIA08
25	T2555-52742	LABEL	1						
26	T2555-39013	BRACKET	1						
27	T2555-39331	VALVE	1						
28	04811-00100	O RING	1						
29	T2555-39461	CONNECTOR	1						
30	04512-50080	SPRING WASHER	2						M08
31	04012-50050	WASHER, PLAIN	1						M5
32	05525-50500	OB PIN,SNAP	1						DIA5
33	TB14-0018A	CAP, COUPLER SOCKET-3/8 v	2						
34	T2555-A06052105	TUBE.HYD	1						

----> Old replace New
 <----> Interchangeable

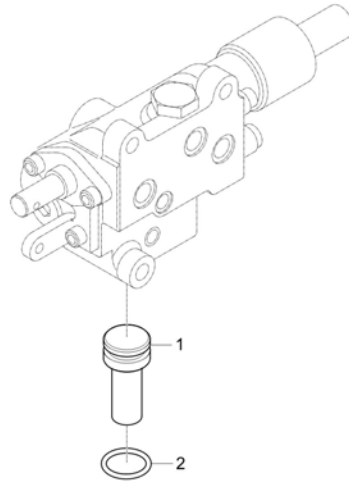
<---- New replace Old
 <-O-> Interchangeable with another part(s)

<-X-> Not interchangeable

* Please place an order assy(*)

T2555-G690

VALVE, STOPPER



A : CS2210(WY8200001~)

No.	Part Number	Description	Qty					I.C	Remark
			A	B	C	D	E		
1	T2555-39331	VALVE	1						
2	04811-00100	O RING	1						

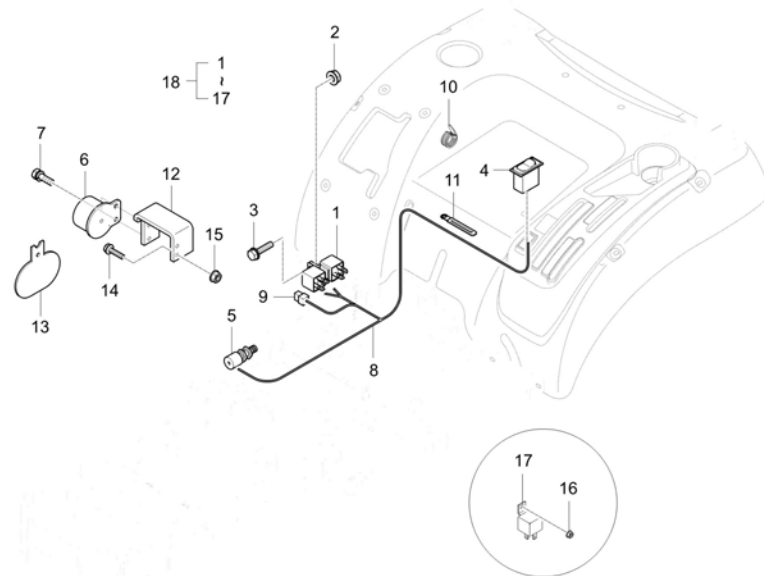
----> Old replace New
 <----> Interchangeable
 * Please place an order assy(*)

<---- New replace Old
 <-O-> Interchangeable with another part(s)

<-X-> Not interchangeable

T2555-G741

CRUISE OPTION GROUP



A : CS2210(WY8200001~)

No.	Part Number	Description	Qty					I.C	Remark
			A	B	C	D	E		
1	T5535-69961	RELAY,5P	2						Bracket
2	02751-50060	NUT, FLANGE	1						M6XP1.0
3	01754-50612	BOLT, FLANGE	1						M6*1.0
4	TC25-0058A	ASSY SWITCH, CRUISE	1						
5	C7110-42862	SWITCH	1						
6	T4158-68701	CRUISE MAGNET v	1						
7	01123-50820	BOLT, WASHER v	2						M8XP1.25
8	T2555-69452	HARNESS ASSEMBLY	1						
9	T4620-69331	DIODE 2P	1						800V,3.0A
10	T2185-82551	CABLE TIE, BLACK / 300	5						L290
11	37150-3447-1	WIR'G CLAMP	1						T0.5
12	T2555-62212	BRACKET	1						
13	T2555-62232	PLATE	1						
14	01754-50820	BOLT, FLANGE	2						M8XP1.25
15	02761-50080	NUT, FLANGE v	4						
16	02763-50080	FLANGE NUT	2						M8XP1.25
17	T4180-69961	RELAY (5P) dnr v	2						
18	T2555-A06061103	Cruise Control Kit	1						

----> Old replace New
 <----> Interchangeable

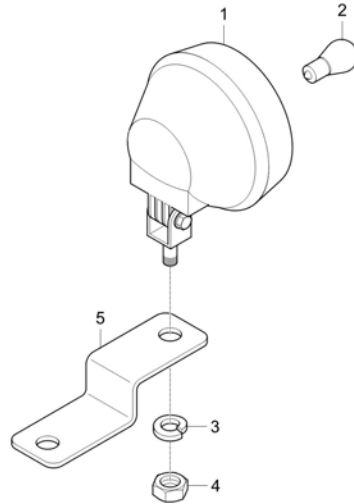
<---- New replace Old
 <-O-> Interchangeable with another part(s)

<-X-> Not interchangeable

* Please place an order assy(*)

T2555-G771

WORKING LAMP OPTION GROUP



A : CS2210(WY8200001~)

No.	Part Number	Description	Qty					I.C	Remark
			A	B	C	D	E		
1	T2350-46612	WORKING LIGHT ASSY	1						
2	T4620-69272	BULB (12V 21W)	1						12V21W (S25S)
3	04512-50080	SPRING WASHER	1						M08
4	02114-50080	NUT v	1						M8*P1.25
5	T2555-64491	BRACKET	1						T3.0

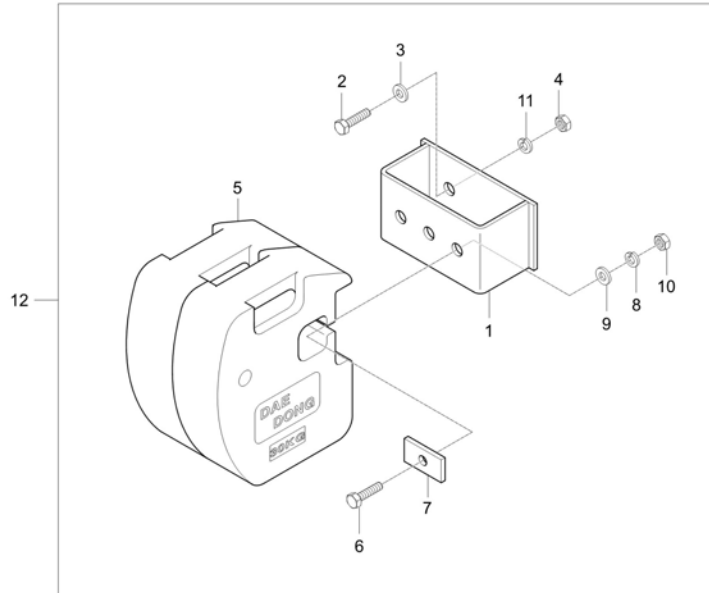
----> Old replace New
 <----> Interchangeable
 * Please place an order assy(*)

<---- New replace Old
 <-O-> Interchangeable with another part(s)

<-X-> Not interchangeable

T2558-G940

FRONT WEIGHT GROUP



A : CS2210(WY8200001~)

No.	Part Number	Description	Qty					I.C	Remark
			A	B	C	D	E		
1	T2558-54301	BRACKET WEIGHT FRONT	1						
2	01173-51635	BOLT	2						M16*P1.5
3	04011-50160	PLAIN WASHER	2						M16
4	02176-50160	NUT v	2						M16*P1.5
5	T2558-54601	USE AAA180 WHOLE GOODS dnr v	2						
5	T2558-54602	WEIGHT, COUNTER	2					<-----	-
6	01173-51245	BOLT	2						
7	T2558-54611	SPACER	2						T4.5
8	04512-50120	SPRING WASHER	2						M12
9	04011-50120	WASHER, PLAIN	2						M12
10	02176-50120	NUT	2						M12XP1.25
11	04512-50160	WASHER, SPRING	2						M16
12	TB26-A0013A	FRONT WEIGHT KIT	1						
12	TB26-A0013B	FRONT WEIGHT KIT	1					<-----	

----> Old replace New
 <----> Interchangeable

<---- New replace Old
 <-O-> Interchangeable with another part(s)

<-X-> Not interchangeable

* Please place an order assy(*)

INDEX 1

PART NO.	PAGE	PART NO.	PAGE	PART NO.	PAGE	PART NO.	PAGE	PART NO.	PAGE
0011-1	30	01023-50616	22	01123-50865	66	01517-51030	86	01754-50816	98
0011-1-1-02	30	01023-50618	2	01125-50820	78	01517-51030	86	01754-50816	98
0011-1-1-04	30	01023-50620	24	01133-51020	84	01517-51040	34	01754-50816	104
0011-1-1-05	30	01023-50625	7	01133-51025	62	01517-51040	44	01754-50816	104
0011-1-1-06	30	01023-50628	21	01133-51025	73	01574-51230	81	01754-50816	107
0011-1-1-08	30	01023-50630	24	01133-51025	73	01574-51230	81	01754-50816	112
0011-2	30	01023-50638	24	01133-51025	84	01574-51240	87	01754-50816	115
0011-2-1	31	01023-50645	59	01133-51025	86	01574-51240	87	01754-50816	118
0011-2-1-02	31	01023-50660	24	01133-51025	86	01654-50618	11	01754-50816	121
0011-2-1-04	31	01023-50665	6	01133-51025	86	01654-50820	1	01754-50820	34
0011-2-1-05	31	01023-50670	6	01133-51025	106	01654-50820	4	01754-50820	67
0011-2-1-06	31	01023-50675	6	01133-51030	41	01754-50610	7	01754-50820	74
0011-2-1-07	31	01023-50680	24	01133-51030	43	01754-50612	20	01754-50820	74
0011-2-1-08	31	01025-50612	73	01133-51030	65	01754-50612	67	01754-50820	75
0011-2-1-09	32	01025-50612	73	01133-51030	84	01754-50612	67	01754-50820	75
0011-2-1-10	32	01025-50612	107	01133-51030	84	01754-50612	68	01754-50820	76
0011-2-1-11	32	01053-50625	95	01133-51030	122	01754-50612	72	01754-50820	76
0011-2-2	30	01123-50816	5	01133-51035	65	01754-50612	74	01754-50820	76
0011-2-2-02	30	01123-50816	39	01133-51040	41	01754-50612	74	01754-50820	77
0011-2-2-03	31	01123-50816	40	01133-51045	13	01754-50612	74	01754-50820	82
0011-2-2-04	31	01123-50816	46	01133-51090	101	01754-50612	75	01754-50820	91
0011-2-2-05	31	01123-50816	59	01133-51230	97	01754-50612	75	01754-50820	91
0011-2-2-06	31	01123-50816	63	01133-51235	83	01754-50612	76	01754-50820	92
0011-2-2-07	31	01123-50816	100	01133-51235	83	01754-50612	76	01754-50820	106
0011-2-2-08	31	01123-50816	106	01133-51240	55	01754-50612	127	01754-50820	110
0011-2-2-09	31	01123-50818	15	01133-51240	83	01754-50614	73	01754-50820	121
0011-2-2-10	31	01123-50818	16	01133-51240	83	01754-50614	78	01754-50820	124
0011-2-3-01	31	01123-50820	36	01133-51240	83	01754-50614	94	01754-50820	127
0011-3	32	01123-50820	47	01133-51240	83	01754-50616	19	01754-50822	8
0011-3-1-01	32	01123-50820	47	01133-51240	86	01754-50616	20	01754-50825	8
0011-3-1-02	32	01123-50820	54	01133-51240	87	01754-50616	67	01754-50825	22
0011-3-1-03	32	01123-50820	56	01153-50830	115	01754-50616	70	01754-50825	35
0011-3-1-04	32	01123-50820	64	01153-50855	122	01754-50620	17	01754-50825	46
0011-3-1-05	32	01123-50820	73	01153-50865	89	01754-50620	68	01754-50825	86
0011-3-1-06	32	01123-50820	73	01155-50855	23	01754-50620	78	01754-50830	111
0011-3-1-08	32	01123-50820	73	01173-51016	88	01754-50625	61	01754-50835	22
0011-3-1-09	32	01123-50820	109	01173-51235	86	01754-50630	23	01754-50835	34
0011-3-1-10	32	01123-50820	122	01173-51245	129	01754-50630	60	01754-50835	46
0011-3-1-11	32	01123-50820	124	01173-51635	129	01754-50630	61	01774-51016	71
0011-3-1-12	32	01123-50820	127	01173-51645	117	01754-50630	122	01774-51035	23
0011-3-1-13	32	01123-50822	57	01175-51020	40	01754-50630	124	01774-51045	23
0011-3-1-14	32	01123-50822	57	01176-51035	38	01754-50812	34	01811-50615	77
0011-3-1-15	32	01123-50825	47	01177-51030	55	01754-50812	67	02014-50100	119
0011-3-1-16	33	01123-50825	49	01177-51035	52	01754-50812	91	02054-50040	70
0011-3-1-17	33	01123-50825	60	01513-50614	7	01754-50812	91	02054-50050	67
0011-4	33	01123-50825	66	01513-50618	6	01754-50812	91	02054-50050	69
0011-4-1-01	33	01123-50825	91	01513-50618	16	01754-50814	97	02056-50060	16
0011-4-1-02	33	01123-50825	104	01513-50620	5	01754-50816	73	02056-50060	17
0011-4-1-03	33	01123-50828	49	01513-50655	22	01754-50816	74	02056-50060	25
0011-4-1-04	33	01123-50830	16	01513-50820	73	01754-50816	74	02056-50060	73
0011-4-1-05	33	01123-50835	57	01513-50820	91	01754-50816	88	02056-50060	95
0011-4-1-06	33	01123-50850	60	01513-50822	5	01754-50816	89	02076-50100	84
01023-50612	16	01123-50855	124	01513-50822	15	01754-50816	95	02114-50080	116
01023-50614	11	01123-50860	104	01513-50825	75	01754-50816	96	02114-50080	128
01023-50614	47	01123-50865	33	01513-50825	75	01754-50816	97	02116-50100	64

PART NO.	PAGE	PART NO.	PAGE	PART NO.	PAGE	PART NO.	PAGE	PART NO.	PAGE
02156-50080	15	02761-50040	14	04014-50080	8	04612-00130	9	04811-00210	50
02156-50080	57	02761-50060	22	04014-50080	67	04612-00180	11	04811-00290	59
02156-50080	73	02761-50060	78	04014-50080B	78	04612-00180	15	04811-06130	6
02156-50080	88	02761-50060	95	04014-50100	13	04612-00190	15	04811-10220	12
02156-50080	89	02761-50080	60	04015-50050	119	04612-00190	57	04811-50300	10
02156-50080	90	02761-50080	127	04015-50060	78	04612-00200	47	04811-50300	65
02156-50080	92	02763-50080	5	04015-50080	23	04612-00200	47	04811-50350	63
02156-50080	115	02763-50080	70	04015-50080	77	04612-00200	49	04811-50450	63
02176-50100	13	02763-50080	78	04015-50080	77	04612-00200	58	04811-50500	33
02176-50100	41	02763-50080	81	04015-50100	70	04612-00250	27	04811-50800	52
02176-50100	65	02763-50080	91	04015-50100	101	04612-00250	28	04814-06310	19
02176-50100	84	02763-50080	91	04512-50040	70	04612-00250	36	04817-00200	59
02176-50100	84	02763-50080	91	04512-50050	67	04612-00250	41	04817-00200	60
02176-50100	86	02763-50080	101	04512-50060	16	04612-00250	50	05012-00525	43
02176-50100	86	02763-50080	127	04512-50060	25	04612-00250	89	05012-00609	2
02176-50100	88	03024-50410	70	04512-50080	5	04612-00300	29	05012-00814	2
02176-50100	101	03024-50410	72	04512-50080	15	04612-00300	36	05012-00818	34
02176-50100	103	03024-50512	104	04512-50080	33	04612-00300	54	05012-00818	34
02176-50100	108	03024-50512	105	04512-50080	47	04612-00350	45	05012-00818	44
02176-50100	118	03024-50512	107	04512-50080	49	04612-00350	52	05012-00825	50
02176-50100	118	03024-50514	104	04512-50080	57	04612-00350	64	05112-50525	105
02176-50120	84	03024-50520	14	04512-50080	73	04612-00450	47	05112-50525	125
02176-50120	86	03027-50516	69	04512-50080	89	04612-00500	43	05112-51020	103
02176-50120	87	03056-50508	92	04512-50080	115	04613-50080	123	05112-51022	104
02176-50120	87	03514-50410	78	04512-50080	116	04613-50080	125	05112-51650	81
02176-50120	92	04011-50100	89	04512-50080	123	04613-50120	87	05112-51650	97
02176-50120	129	04011-50120	129	04512-50080	125	04613-50120	104	05122-50620	105
02176-50140	56	04011-50140	106	04512-50080	128	04613-50120	106	05122-50820	89
02176-50140	61	04011-50160	82	04512-50100	13	04714-00100	57	05122-51022	89
02176-50140	122	04011-50160	82	04512-50100	41	04717-00800	34	05122-51025	108
02176-50140	124	04011-50160	88	04512-50100	65	04717-01000	40	05122-51035	97
02176-50160	64	04011-50160	117	04512-50100	70	04717-01000	50	05122-51050	81
02176-50160	97	04011-50160	129	04512-50100	84	04717-01000	53	05411-00420	17
02176-50160	117	04012-50050	14	04512-50100	84	04717-01600	34	05411-00436	51
02176-50160	129	04012-50050	105	04512-50100	84	04717-01600	46	05411-00520	64
02751-50060	17	04012-50050	105	04512-50100	86	04724-00140	19	05411-00525	123
02751-50060	19	04012-50050	123	04512-50100	86	04810-00070	64	05411-00625	89
02751-50060	60	04012-50050	125	04512-50100	118	04810-00150	6	05411-00625	103
02751-50060	61	04012-50060	92	04512-50100	119	04810-00200	59	05411-00632	40
02751-50060	67	04012-50080	64	04512-50120	86	04810-00200	60	05411-00632	42
02751-50060	68	04012-50080	78	04512-50120	87	04810-00600	63	05411-00632	44
02751-50060	68	04012-50080	92	04512-50120	87	04811-00060	19	05411-00632	49
02751-50060	70	04012-50080	97	04512-50120	92	04811-00100	123	05411-00665	42
02751-50060	122	04013-50060	74	04512-50120	129	04811-00100	125	05411-00840	108
02751-50060	124	04013-50100	84	04512-50140	61	04811-00100	126	05511-50115	105
02751-50060	127	04013-50100	111	04512-50140	122	04811-00110	42	05511-50220	78
02751-50080	78	04013-50100	118	04512-50140	124	04811-00120	64	05511-50220	89
02751-50080	92	04013-50100	118	04512-50160	64	04811-00140	1	05511-50220	103
02751-50080	95	04013-50100	119	04512-50160	97	04811-00140	4	05511-50220	105
02751-50080	96	04013-50120	83	04512-50160	129	04811-00140	39	05511-50220	109
02751-50080	110	04013-50120	83	04611-00350	100	04811-00140	40	05511-50320	81
02751-50080	115	04013-50120	83	04611-00470	46	04811-00140	46	05511-50320	82
02751-50080	118	04013-50120	83	04611-00520	28	04811-00160	7	05511-50320	107
02751-50080	121	04013-50120	83	04611-00520	50	04811-00180	50	05511-50320	108
02751-50080	124	04013-50120	83	04611-00720	52	04811-00210	41	05511-50320	109

PART NO.	PAGE	PART NO.	PAGE	PART NO.	PAGE	PART NO.	PAGE	PART NO.	PAGE
05511-50325	56	08711-30207	38	37150-3447-1	74	E5500-35681	10	E5753-14351	9
05511-50325	89	09230-30425	55	37150-3447-1	127	E5500-39013	3	E5753-14431	9
05511-50325	97	09318-87032	59	37155-3447-1	23	E5500-51662	20	E5753-35681	3
05511-50325	103	09318-87040	59	37155-3447-1	67	E5500-52112	15	E5760-01751	5
05511-50325	104	09318-87040	75	37155-3447-1	71	E5500-52122	15	E5760-03141	5
05511-50325	108	09318-87040	76	37155-3447-1	81	E5500-73272	22	E5760-03314	5
05511-50435	81	09318-87040	76	37155-3447-1	96	E5500-74213	22	E5760-04043	8
05511-50435	81	09318-87040	77	38240-1823-1	110	E5700-01624	1	E5760-04053	8
05511-50435	82	09318-87057	100	38240-1883-1	72	E5700-01624	4	E5760-04063	8
05511-50440	97	09318-88080	14	38240-1883-1	94	E5700-12362	25	E5760-04132	6
05511-51620	92	09318-88080	96	38240-1883-1	119	E5700-13332	9	E5760-04361	8
05511-52525	89	09318-88140	22	38240-2141-2	64	E5700-14232	9	E5760-04461	8
05515-51200	106	09318-88180	10	41182-5151-1	101	E5700-15552	11	E5760-04811	8
05525-50500	123	09500-18308	40	44366-4723-1	85	E5700-21106	12	E5760-04822	8
05525-50500	125	09500-25388	46	52300-2622-1	89	E5700-23252	12	E5760-11702	24
05624-20408	113	09503-25211	50	57781-5121-1	78	E5700-24253	11	E5760-11762	24
05712-00408	3	09550-00008	6	76KB-0511	101	E5700-32112	1	E5760-13111	9
05712-00515	11	09661-40200	14	76KB-0512	101	E5700-32112	4	E5760-13121	9
05712-00515	12	14911-4275-1	16	82KC-0641	78	E5700-35012	2	E5760-14511	10
05712-00515	23	15108-5728-5	17	C7110-42862	127	E5700-35154	2	E5760-16011	11
05712-00520	15	15121-5385-2	14	C7633-31391	47	E5700-35662	3	E5760-16171	15
06311-75015	2	15221-0175-1	5	E5205-03371	5	E5700-36071	6	E5760-16211	16
06311-75040	2	15221-3365-1	2	E5205-04561	8	E5700-36911	6	E5760-21001	12
06331-35010	57	15241-3695-2	6	E5205-13152	9	E5700-36932	6	E5760-21011	12
06331-45010	50	15301-7247-0	96	E5205-13241	9	E5700-56414	21	E5760-21051	12
06331-45010	53	15321-5216-1	15	E5205-13542	5	E5700-72922	22	E5760-21111	12
06331-45016	34	15321-9626-3	2	E5205-13562	5	E5700-73263	22	E5760-21151	12
06613-10010	55	15321-9626-3	5	E5205-14241	9	E5700-73343	7	E5760-21311	12
06613-10675	108	15371-4217-0	16	E5205-16272	11	E5700-73343	22	E5760-22016	12
07715-00803	46	15471-5798-1	17	E5205-16321	15	E5700-73353	22	E5760-22144	12
07715-03211	39	15521-5642-1	21	E5205-16511	11	E5700-73922	2	E5760-22311	12
07715-03211	40	15521-9602-2	63	E5205-21331	12	E5700-74213	7	E5760-23012	12
07715-03213	6	300002	66	E5205-21355	12	E5700-91094	1	E5760-23471	3
07715-03219	41	300022	66	E5205-23311	12	E5700-91094	4	E5760-23481	8
07811-10820	17	300024	31	E5205-23362	23	E5700-A0022	15	E5760-23531	8
07918-00001	18	31150-7136-5	97	E5205-24012	11	E5706-56051	21	E5760-23541	8
08101-06005	46	32210-2758-1	34	E5205-24112	12	E5743-25161	13	E5760-33111	20
08101-06007	52	32210-2758-1	81	E5205-24281	11	E5752-12312	25	E5760-36332	16
08101-06010	43	32210-2758-1	81	E5205-24321	11	E5752-14522	10	E5760-36332	57
08101-06010	52	32210-2758-1	81	E5205-24361	11	E5752-14562	10	E5760-42503	14
08101-06012	43	32210-2758-1	81	E5205-24371	11	E5752-18172	7	E5760-53001	14
08101-06204	52	32210-2758-1	81	E5205-32091	6	E5752-35692	1	E5760-54098	19
08101-06205	36	32210-2758-1	82	E5205-32291	6	E5752-35692	4	E5760-54123	17
08101-06205	54	32210-2758-1	82	E5205-33961	2	E5752-36413	1	E5760-54263	19
08101-06303	46	32210-2758-1	82	E5205-36481	57	E5752-36413	4	E5760-56021	21
08103-06004	15	32210-2758-1	82	E5205-54271	19	E5752-36423	1	E5760-56481	19
08153-06004	15	32210-2758-1	82	E5205-72952	7	E5752-36423	4	E5760-56602	19
08241-05204	57	32210-2758-1	82	E5205-73524	7	E5752-74123	23	E5760-57152	17
08511-01515	89	32210-2758-1	82	E5205-73912	2	E5752-74251	23	E5760-65511	14
08511-01515	106	32240-3446-1	72	E5205-91022	2	E5752-91141	13	E5760-65562	14
08511-02520	82	34150-2939-1	99	E5250-63821	13	E5752-91502	9	E5760-72873	7
08511-02520	82	34150-3764-4	97	E5311-57281	17	E5753-14001	9	E5760-73033	7
08511-02525	108	37150-3447-1	7	E5500-33142	10	E5753-14051	9	E5760-73043	7
08511-03530	63	37150-3447-1	67	E5500-33672	10	E5753-14111	9	E5760-73432	7
08511-04030	63	37150-3447-1	74	E5500-33702	2	E5753-14311	9	E5760-73512	7

PART NO.	PAGE	PART NO.	PAGE	PART NO.	PAGE	PART NO.	PAGE	PART NO.	PAGE
E5760-73551	7	E7310-36431	4	T2368-76001	57	T2555-22621	34	T2555-27291	43
E5760-A0075	4	E7310-76161	101	T2380-87132	57	T2555-23111	46	T2555-27331	43
E5761-04541	8	E7310-76191	101	T2445-48174	113	T2555-23211	36	T2555-27352	43
E5761-04541	8	E7400-74112	23	T2555-06004	36	T2555-23221	36	T2555-27361	43
E5761-04541	8	E7400-74152	23	T2555-06006	28	T2555-23231	37	T2555-27411	43
E5763-13361	9	EC11-0046A	17	T2555-06006	36	T2555-23241	37	T2555-27421	43
E5763-51011	15	EC11-0049A	19	T2555-06006	53	T2555-23251	46	T2555-27611	102
E5763-A0304	5	EC11-0098A	20	T2555-06007	45	T2555-23261	46	T2555-27712	45
E5770-03451	5	EC11-0101B	13	T2555-06203	27	T2555-23271	46	T2555-28314	41
E5770-11821	24	EC11-0108A	6	T2555-06204	27	T2555-23281	46	T2555-28341	41
E5770-14502	10	EC11-0109A	6	T2555-06204	28	T2555-23311	46	T2555-28351	41
E5775-52031	16	EC11-0112A	10	T2555-06205	27	T2555-23331	39	T2555-28381	41
E5775-52032	16	EC11-A0016A	2	T2555-06205	29	T2555-23331	40	T2555-28411	41
E5775-53712	14	EC12-0005B	13	T2555-06205	36	T2555-23331	46	T2555-28421	41
E5775-53722	14	EC12-0006B	13	T2555-06205	50	T2555-24111	27	T2555-28442	41
E5775-53732	14	EC12-0009A	11	T2555-06206	29	T2555-24121	27	T2555-28461	41
E5800-52111	15	EC12-0017A	23	T2555-06206	36	T2555-24131	40	T2555-28471	41
E5800-73011	22	EC14-0012A	1	T2555-06207	52	T2555-24141	40	T2555-29111	29
E5800-73052	7	EC16-0001A	22	T2555-06209	51	T2555-24151	27	T2555-29111	54
E5806-04151	7	EC16-0002A	23	T2555-06303	27	T2555-24161	27	T2555-29121	45
E5850-54253	19	EC18-0012A	26	T2555-06304	28	T2555-24171	40	T2555-30013	30
E5850-54274	19	EC18-0012B	26	T2555-06304	37	T2555-24181	40	T2555-30014	30
E5850-54283	19	EC19-0003A	22	T2555-06305	27	T2555-24191	40	T2555-30023	47
E5850-54292	19	EC19-0005A	13	T2555-12501	73	T2555-24201	27	T2555-30121	33
E5850-57112	17	EF15-0003A	2	T2555-14501	47	T2555-24231	27	T2555-31041	89
E5850-57212	17	H011-200-A	30	T2555-14511	47	T2555-24241	28	T2555-31051	89
E5850-57212	19	H011-203-A	30	T2555-14603	47	T2555-24251	28	T2555-31112	89
E5850-57922	17	H011-204-A	30	T2555-14611	47	T2555-24261	28	T2555-31121	89
E5900-96022	2	H011-205-A	30	T2555-14651	47	T2555-24272	28	T2555-31132	90
E5900-96022	5	H011-206-A	30	T2555-14661	47	T2555-24281	28	T2555-32241	90
E5900-96032	2	H011-500-A	30	T2555-14671	47	T2555-24291	28	T2555-32251	90
E5900-96032	6	H011-503-C	31	T2555-14681	47	T2555-24331	29	T2555-32541	90
E6200-52142	16	H011-507-A	30	T2555-14681	48	T2555-24411	29	T2555-32551	90
E6213-64012	23	K9100-50241	108	T2555-21121	34	T2555-24421	29	T2555-32561	90
E6300-53021	14	T2181-97191	87	T2555-21132	34	T2555-25111	34	T2555-32571	90
E6300-53621	14	T2185-51462	78	T2555-22211	36	T2555-25121	34	T2555-32641	90
E6300-53651	14	T2185-82551	69	T2555-22221	36	T2555-25211	34	T2555-32651	90
E6303-33661	1	T2185-82551	127	T2555-22231	36	T2555-25311	27	T2555-36001	62
E6303-33661	4	T2185-82561	61	T2555-22241	36	T2555-25311	28	T2555-36011	60
E6303-33752	1	T2185-82561	61	T2555-22251	39	T2555-25311	36	T2555-36023	61
E6303-33752	4	T2185-82561	69	T2555-22251	40	T2555-26111	38	T2555-36033	61
E6305-54221	17	T2185-82561	96	T2555-22261	39	T2555-26591	44	T2555-36042	60
E6305-54281	17	T2198-31052	72	T2555-22271	39	T2555-26592	42	T2555-36051	122
E6305-92021	17	T2198-82571	69	T2555-22281	39	T2555-26611	42	T2555-36051	124
E6305-96652	17	T2350-46612	116	T2555-22281	46	T2555-26631	42	T2555-36101	60
E6500-42414	15	T2350-46612	128	T2555-22291	39	T2555-26641	42	T2555-36101	61
E6510-05511	10	T2350-50421	115	T2555-22311	36	T2555-26651	42	T2555-36101	122
E6510-05552	10	T2350-53112	113	T2555-22321	36	T2555-26681	42	T2555-36101	124
E6510-05552	24	T2350-76021	57	T2555-22331	38	T2555-27101	43	T2555-36201	62
E6510-33661	10	T2350-76031	57	T2555-22411	38	T2555-27211	43	T2555-37006	63
E6820-60011	19	T2350-76041	57	T2555-22421	38	T2555-27231	43	T2555-37113	63
E6850-57313	19	T2350-85101004	119	T2555-22521	39	T2555-27241	43	T2555-37121	63
E7240-32731	22	T2350-85101005	119	T2555-22521	40	T2555-27251	43	T2555-37132	64
E7300-05304	101	T2350-85113	119	T2555-22521	40	T2555-27271	43	T2555-37182	64
E7310-36431	1	T2350-85121	119	T2555-22611	34	T2555-27281	43	T2555-37191	64

PART NO.	PAGE	PART NO.	PAGE	PART NO.	PAGE	PART NO.	PAGE	PART NO.	PAGE
T2555-37202	60	T2555-42142	50	T2555-50582	79	T2555-55912	108	T2555-61052	108
T2555-37212	63	T2555-42171	50	T2555-50592	79	T2555-55921	109	T2555-61062	109
T2555-37221	63	T2555-42201	50	T2555-50622	79	T2555-56206	28	T2555-61202	103
T2555-37232	63	T2555-42231	51	T2555-50631	79	T2555-56305	28	T2555-61211	103
T2555-37241	63	T2555-42261	51	T2555-50712	79	T2555-58571	110	T2555-61322	104
T2555-37251	63	T2555-42311	50	T2555-50722	79	T2555-58721	109	T2555-61331	104
T2555-37261	63	T2555-42321	50	T2555-50751	79	T2555-58731	75	T2555-61521	104
T2555-37271	63	T2555-42341	50	T2555-50761	79	T2555-58731	76	T2555-61531	104
T2555-37281	63	T2555-42751	50	T2555-50771	79	T2555-58731	87	T2555-61541	104
T2555-37291	64	T2555-42761	50	T2555-50791	79	T2555-58731	97	T2555-61601	123
T2555-37303	66	T2555-43101	51	T2555-50841	91	T2555-58731	104	T2555-61601	125
T2555-37311	64	T2555-43111	51	T2555-50851	91	T2555-58761	87	T2555-62212	127
T2555-37442	64	T2555-43121	51	T2555-50911	74	T2555-58771	82	T2555-62232	127
T2555-37452	64	T2555-43131	51	T2555-50911	75	T2555-58771	82	T2555-64491	116
T2555-37461	64	T2555-43141	51	T2555-50951	79	T2555-59211	96	T2555-64491	128
T2555-38021	60	T2555-43151	51	T2555-50961	79	T2555-60121	103	T2555-65023	109
T2555-38031	59	T2555-43171	51	T2555-50971	79	T2555-60132	103	T2555-65435	105
T2555-38041	59	T2555-43181	51	T2555-52141	113	T2555-60141	103	T2555-66151	90
T2555-38091	60	T2555-43211	52	T2555-52191	113	T2555-60151	103	T2555-66206	27
T2555-38201	59	T2555-43221	52	T2555-52231	113	T2555-60151	108	T2555-66207	55
T2555-38212	60	T2555-43242	52	T2555-52262	113	T2555-60161	103	T2555-67181	97
T2555-38222	60	T2555-43311	52	T2555-52282	113	T2555-60161	108	T2555-67332	92
T2555-38301	61	T2555-43312	52	T2555-52311	113	T2555-60171	103	T2555-67441	92
T2555-38402	59	T2555-43411	52	T2555-52332	113	T2555-60181	103	T2555-68882	69
T2555-38641	112	T2555-43442	52	T2555-52353	113	T2555-60192	103	T2555-69023	72
T2555-38642	112	T2555-43451	52	T2555-52362	113	T2555-60422	106	T2555-69052	67
T2555-39013	123	T2555-43521	53	T2555-52432	113	T2555-60434	106	T2555-69401	71
T2555-39013	125	T2555-43541	52	T2555-52442	113	T2555-60451	39	T2555-69444	69
T2555-39021	124	T2555-43621	54	T2555-52452	113	T2555-60451	40	T2555-69452	127
T2555-39031	124	T2555-43631	53	T2555-52472	113	T2555-60541	106	T2555-69553	70
T2555-39101	122	T2555-43641	53	T2555-52481	113	T2555-60551	105	T2555-69563	70
T2555-39101	124	T2555-43712	54	T2555-52512	113	T2555-60581	81	T2555-69571	70
T2555-39111	121	T2555-43721	54	T2555-52742	123	T2555-60606	106	T2555-69712	70
T2555-39121	122	T2555-44512	49	T2555-52742	125	T2555-60632	107	T2555-69722	70
T2555-39131	122	T2555-44551	49	T2555-53025	27	T2555-60651	106	T2555-70113	111
T2555-39302	122	T2555-44572	49	T2555-53025	28	T2555-60661	106	T2555-70313	115
T2555-39311	123	T2555-44581	49	T2555-53025	36	T2555-60675	106	T2555-70682	115
T2555-39311	125	T2555-44591	49	T2555-55021	95	T2555-60681	106	T2555-70752	115
T2555-39331	123	T2555-44761	49	T2555-55042	95	T2555-60711	107	T2555-70792	115
T2555-39331	125	T2555-45211	56	T2555-55051	95	T2555-60721	107	T2555-72553	76
T2555-39331	126	T2555-45302	56	T2555-55191	95	T2555-60741	107	T2555-72562	94
T2555-39351	122	T2555-45402	56	T2555-55211	96	T2555-60751	103	T2555-72581	74
T2555-39351	124	T2555-45422	56	T2555-55232	95	T2555-60751	103	T2555-72734	74
T2555-39421	122	T2555-45432	56	T2555-55241	95	T2555-60751	106	T2555-72782	77
T2555-39431	124	T2555-47611	102	T2555-55251	95	T2555-60761	81	T2555-85101	119
T2555-39441	122	T2555-50237	77	T2555-55291	95	T2555-60773	106	T2555-85131	119
T2555-39441	124	T2555-50243	76	T2555-55344	94	T2555-60781	106	T2555-91001	97
T2555-39451	124	T2555-50244	76	T2555-55462	92	T2555-60811	82	T2555-91041	97
T2555-39461	123	T2555-50253	76	T2555-55481	92	T2555-60831	81	T2555-91201	98
T2555-39461	125	T2555-50254	76	T2555-55713	108	T2555-60841	81	T2555-91251	82
T2555-41612	55	T2555-50265	67	T2555-55732	108	T2555-60911	104	T2555-91311	98
T2555-41621	55	T2555-50542	78	T2555-55741	108	T2555-60921	104	T2555-91702	98
T2555-41631	55	T2555-50553	78	T2555-55751	108	T2555-60991	97	T2555-91771	86
T2555-41661	55	T2555-50562	78	T2555-55851	97	T2555-61032	104	T2555-92601	72
T2555-41913	28	T2555-50572	79	T2555-55901	108	T2555-61042	103	T2555-93011	98

PART NO.	PAGE	PART NO.	PAGE	PART NO.	PAGE	PART NO.	PAGE	PART NO.	PAGE
T2555-93031	98	T4625-52351	114	TB25-0036B	69	TB34-0085A	124	U3210-73121	100
T2555-95012	86	T4625-55431	118	TB25-0037A	67	TB34-0103A	90	U3210-73131	100
T2555-95033	86	T4668-83301	92	TB25-0039A	13	TB34-0177A	59	U3210-73141	100
T2555-95053	86	T4682-06206	54	TB26-0004A	114	TB35-0041A	72	U3210-73151	100
T2555-95082	110	T4682-43571	39	TB26-0005A	114	TB36-0514A	98	U3215-77501	77
T2555-95161OE	110	T4682-43571	71	TB26-0027A	114	TB36-0515A	98	U3215-81552	76
T2555-95162	110	T4682-50251	75	TB26-0027B	114	TB36-0516A	98	U3215-81552	76
T2555-95434	110	T4682-50251	75	TB26-0053A	115	TB36-0577A	100		
T2555-95533	110	T4682-69401	39	TB26-0054A	115	TB36-0581A	84		
T2555-97132	87	T4810-45721	123	TB26-0175C	87	TB36-0881A	92		
T2555-97181	87	T4815-67371	14	TB26-0176C	87	TB36-0888A	100		
T2555-97201	88	T4837-77774	72	TB26-0184A	96	TB36-0889A	100		
T2555-97211	87	T4930-69221	72	TB26-0186A	96	TB36-0890A	100		
T2555-97222	87	T4930-69881	72	TB26-0189B	74	TB36-0893A	100		
T2555-97232	87	T4930-70492	115	TB26-0191A	79	TB36-0894A	73		
T2555-98511	88	T4935-52011	114	TB26-0192B	75	TB36-0897A	73		
T2555-A06051101	121	T4935-92502	72	TB26-0193A	79	TB36-0898A	73		
T2555-A06052105	125	T4935-92502	99	TB26-0194A	79	TB36-0899B	91		
T2555-A06061103	127	T5210-67361	92	TB26-0197B	74	TB36-0900B	91		
T2555-A06062101	116	T5245-55461	92	TB26-0197B	75	TB36-0901A	91		
T2558-50921006	118	T5245-55462	93	TB26-0199A	105	TB36-0903A	91		
T2558-50931	118	T5248-52102	72	TB26-0200A	107	TB36-0909A	91		
T2558-54301	129	T5270-82551	69	TB26-0201A	107	TB36-0912A	91		
T2558-54601	129	T5520-75171	72	TB26-0202A	107	TB36-0922A	100		
T2558-54602	129	T5520-75191	120	TB26-0236A	98	TB36-0924A	100		
T2558-54611	129	T5535-69951	67	TB26-0274B	75	TB36-0930A	100		
T2558-78012	117	T5535-69961	67	TB26-0274C	75	TB36-0931A	74		
T2558-A06044101	117	T5535-69961	72	TB26-0276A	88	TB36-0932B	75		
T2610-24131	50	T5535-69961	127	TB26-0279B	84	TB36-0935A	76		
T2610-39572	39	T5638-85721	70	TB26-0280B	84	TB36-0937B	77		
T2610-52461	114	T5710-50831	95	TB26-0284A	93	TB36-0938B	76		
T2611-26693	114	T8105-85080	33	TB26-0299A	84	TB36-0942A	94		
T2611-50041	117	TB14-0018A	123	TB26-0302A	92	TB36-0943B	73		
T2611-54825	95	TB14-0018A	125	TB26-0310A	83	TB36-0949B	84		
T2611-87823	118	TB22-0007A	34	TB26-0310B	83	TB36-0950B	84		
T2670-55531	108	TB24-0034B	61	TB26-0310C	83	TB36-0956A	80		
T4121-95321	70	TB24-0035B	61	TB26-0311A	95	TB36-0957A	80		
T4125-13561	74	TB24-0036A	59	TB26-0312A	95	TB36-0959A	100		
T4125-13561	76	TB24-0037A	59	TB26-0322A	93	TB36-0988A	95		
T4125-53121	114	TB24-0038A	59	TB26-0335A	118	TB36-1025A	80		
T4144-75952	67	TB24-0046A	59	TB26-0352A	98	TB36-1053A	80		
T4157-51211	78	TB24-0050A	57	TB26-0360A	75	TB36-1069A	74		
T4158-68701	127	TB24-0052A	61	TB26-0360A	75	TB36-1086A	99		
T4180-69961	127	TB24-0055A	59	TB26-0362A	77	TB36-1185A	101		
T4260-24462	123	TB24-0056A	57	TB26-0362A	77	TB36-A0026B	99		
T4260-24462	125	TB24-0057A	59	TB26-A0013A	129	TC24-0238A	60		
T4420-37361	60	TB24-A0001A	123	TB26-A0013B	129	TC25-0058A	127		
T4620-37092	60	TB25-0009A	70	TB26-A0019A	118	TC26-0388A	114		
T4620-50701	79	TB25-0010A	70	TB32-0145A	28	TD26-1009B	114		
T4620-66161	122	TB25-0012D	69	TB32-0145B	28	TG16-1530A	114		
T4620-66161	125	TB25-0022B	69	TB32-0146A	29	TG16-1530B	114		
T4620-69272	116	TB25-0022C	69	TB32-0147B	27	TG16-1540A	114		
T4620-69272	128	TB25-0024A	69	TB32-0148A	27	TG35-0114A	120		
T4620-69331	127	TB25-0025B	72	TB32-0149A	27	U3210-73102	100		
T4620-69472	67	TB25-0035A	68	TB34-0085A	122	U3210-73111	100		

INDEX 2

PARTS GROUP	GROUP NO.	PAGE	PARTS GROUP	GROUP NO.	PAGE
<CHASSIS>			VALVE ROCKER ARM GROUP	3C100A-E080	9
3 POINT LINK GROUP	TB2-G685001	97	WATER FLANGE GROUP	EC1-G162001	22
AIR CLEANER GROUP(3C100)	TB3-G611002	100	<FRONT AXLE>		
BONNET GROUP(3C100)	TB2-G615505	78	BEVEL GEAR CASE GROUP	T2555-G315	52
BRAKE PEDAL GROUP	T2555-G418	108	FRONT AXLE BRACKET GROUP	T2555-G330	55
CONTROL LEVER, LH GROUP	T2555-G416	106	FRONT AXLE CASE GROUP	T2555-G320	53
CONTROL LEVER, RH GROUP	T2555-G412	103	FRONT AXLE GROUP	T2555-G325	54
FENDER GROUP	T2555-G426	110	FRONT AXLE SUPPORT GROUP	T2555-G310	50
FUEL TANK GROUP	TB2-G671001	95	STEERING CYLINDER GROUP	T2555-G335	56
HST PAN PROTECTION COVER GROUP	T2555-G446	112	<HYDRAULIC>		
HST PEDAL GROUP	TB2-G647502	89	FILTER AND PIPE GROUP	TB2-G431002	59
INSTRUMENT COVER GROUP	TB2-G655003	94	GEAR PUMP GROUP	TB2-G412001	57
LABEL GROUP	TB2-G6D5003	113	HYD.CYLINDER GROUP	T2555-G620	63
MAIN FRAME GROUP	TB2-G622005	81	POWER STEERING UNIT GROUP	T2555-G615	62
MUFFLER GROUP	TB2-G612001	73	VALVE,CONTROLLERGROUP	T2555-G635	66
RADIATOR GROUP	TB2-G612504	74	<OPTION>		
ROPS BAR GROUP	TB2-G631003	86	CRUISE OPTION GROUP	T2555-G741	127
SEAT GROUP	TB2-G661002	115	FILTER GUARD	T2555-G670	121
SEAT GROUP(OPTION)	TB3-G6G1101	99	FRONT WEIGHT GROUP	T2558-G940	129
STEERING COLUMN GROUP(3C100)	TB2-G653003	91	OPTION GROUP	T2555-G499	120
STEP GROUP	T2555-G436	111	REAR VIEW MIRROR GROUP(OPTION)	TB2-G6G3802	118
VIBRATIONPROOF RUBBER GROUP	TB2-G624001	84	REAR WORKING LAMP GROUP(OPTION)	TB2-G593101	116
WHEEL BOLT GROUP	T2555-G360	102	SUNSHADE GROUP	T2555-G460	119
<ELECTRICAL>			TOWING HOOK GROUP(OPTION)	TB2-G6G1401	117
BODY ELECTRICAL SYSTEM GROUP	TB2-G573102	72	TUBE.HYD	T2555-G680	122
BONNET ELECTRICAL SYSTEM GROUP	TB2-G571206	67	TUBE.HYD	T2555-G685	124
LIGHT GROUP	T2555-G762	70	VALVE, STOPPER	T2555-G690	126
MISSION ELECTRICAL SYSTEM GROUP	T2555-G721	71	WORKING LAMP OPTION GROUP	T2555-G771	128
WIRE HARNESS GROUP	TB2-G575203	69	<TRANSMISSION>		
<ENGINE>			4WD DRIVE GROUP	T2555-G270	46
CAMSHAFT GROUP	3C100A-E100	11	4WD JOINT GROUP	T2555-G355	49
COOLING FAN GROUP	EC1-G164002	23	ASSY,HST GROUP	T2555-G610	30
CYLINDER BLOCK GROUP	3C100LWU-E010	2	BEVEL PINOIN GEAR GROUP	T2555-G230	38
CYLINDER HEAD COVER GROUP	3C093LW-E090	10	BRAKE GROUP	T2555-G250	41
CYLINDER HEAD GROUP	3C100LW-E030	5	HI-LOW GEAR GROUP	T2555-G225	36
ENGINE STOP LEVER GROUP	EC1-G154003	19	MAIN SHAFT JOINT GROUP	T2555-G350	47
EPA LABEL GROUP	EC1-G183002	26	PTO FORK GROUP	T2555-G245	40
EXHAUST MANIFOLD GROUP	EC1-G133002	25	PTO SHAFT GROUP	TB2-G2C4001	27
FLYWHEEL GROUP	EC1-G126002	13	RANGE FORK GROUP	T2555-G240	39
FUEL CAMSHAFT GROUP	3C100LW-C-E140	15	REAR AXLE GROUP	T2555-G265	45
GEAR CASE GROUP	EC1-G114004	6	REAR DIFF. LOCK GROUP	T2555-G255	42
GROUP,GOVERNOR	3C100LF-E170	21	REAR DIFFERENTIAL SYSTEM GROUP	T2555-G260	43
INTAKE MANIFOLD GROUP	EC1-G131001	24	TRANSMISSION CASE GROUP	TB2-G224001	34
MAIN BEARING CASE GROUP	3C100A-E050	8			
NOZZLE HOLDER GROUP	3C100LWU-E130	14			
OIL PAN GROUP	EC1-G142001	1			
OIL PAN GROUP	3C100A-E020	4			
PISTON & CRANKSHAFT GROUP	3C100LWU-E110	12			
SPEED CONTROL LEVER GROUP	EC1-G153001	17			