

# 본 체 부 품

## CHASSIS PART

---

### ■ 엔진 주변 부품 / ENGINE

연료 탱크 / FUEL TANK ----- FIG. 2-1 G. 040

### ■ 엔진 관련 /

조속 장치 / ENGINE CONTROL ----- FIG. 2-2 G. 100

소음기 / MUFFLER ----- FIG. 2-3 G. 150

라디에이터 / RADIATOR ----- FIG. 2-4 G. 170

에어 크리너 / AIR CLEANER ----- FIG. 2-5 G. 190

엔진 프레임 / ENGINE FRAME ----- FIG. 2-6 G. 210

### ■ 동력 전달 / TM

클러치 / CLUTCH ----- FIG. 3-1 G. 250

클러치 하우징 / CLUTCH HOUSING ----- FIG. 3-2 G. 250

클러치 페달 / CLUTCH PEDAL ----- FIG. 3-3 G. 260

트랜스미션 케이스 / TRANSMISSION CASE ----- FIG. 3-4 G. 280

주축 / MAIN SHAFT ----- FIG. 3-5 G. 281,283

주변속 축 / MAIN GEAR SHAFT ----- FIG. 3-6 G. 281

부변속 축 / RANGE GEAR SHAFT ----- FIG. 3-7 G. 285

초저속 축 / CREEPER SHAFT ----- FIG. 3-8 G. 285

피티오 축 / PTO SHAFT ----- FIG. 3-9 G. 283

피티오 구동축 / PTO DRIVE SHAFT ----- FIG. 3-10 G. 287

피티오 브레이크 / PTO BRAKE ----- FIG. 3-11 G. 283

전륜구동 축 / FRONT WHEEL DRIVE SHAFT ----- FIG. 3-12 G. 288

변속 포크 / SHIFT FORK ----- FIG. 3-13 G. 290,291

변속 레버 / SHIFT LEVER ----- FIG. 3-14 G. 290,291

전후진 레버 / F-R SHIFT LEVER ----- FIG. 3-15 G. 291

주변속 레버 / MAIN GEAR LEVER ----- FIG. 3-16 G. 292

부변속 레버 / RANGE GEAR LEVER ----- FIG. 3-17 G. 292

피티오 변속 레버 / PTO SHIFT LEVER ----- FIG. 3-18 G. 293

### ■ 차동 장치 / DIFF. LOCK

차동 고정장치 / DIFF-LOCK ----- FIG. 4-1 G. 310

차동장치 / REAR DIFFERENTIAL ----- FIG. 4-2 G. 320

전륜 구동 커버 / FRONT WHEEL DRIVE PROP COVER ----- FIG. 4-3 G. 380

### ■ 앞차축, 뒷차축 / FRONT, REAR AXLE

앞차축 조립체 / FRONT AXLE ASSY ----- FIG. 5-1 G. 400

앞차축 케이스 / FRONT AXLE CASE ----- FIG. 5-2 G. 400

앞차축 차동장치 / FRONT DIFFERENTIAL ----- FIG. 5-3 G. 400

앞차축 구동장치 / FRONT DRIVE ----- FIG. 5-4 G. 400

뒷차축 최동구동 / REAR AXLE ----- FIG. 5-5 G. 480

### ■ 앞차축, 뒷차축 / FRONT, REAR AXLE

앞, 뒤 타이어 / FRONT & REAR WHEEL (TIRE) ----- FIG. 5-6 G. 490

### ■ 조향 장치 /

타이로드 / TIE ROD ----- FIG. 6-1 G. 610

조향 실린더 및 라인 / STEERING CYLINDER & LINES ----- FIG. 6-2 G. 630

조향 휠 및 칼럼 / STEERING WHEEL & COLUMN -----	FIG. 6-3	G. 630
<b>■ 브레이크 장치 /</b>		
브레이크 / BRAKE -----	FIG. 7-1	G. 650
브레이크 페달 / BRAKE PEDALS -----	FIG. 7-2	G. 670
주차 브레이크 / PARKING BRAKE PEDAL -----	FIG. 7-3	G. 670
<b>■ 전기 장치 /</b>		
전기 배선 / ELECTRICAL WIRING -----	FIG. 8-1	G. 730
축전지 / BATTERY -----	FIG. 8-2	G. 740
계기 판넬 / METER PANEL -----	FIG. 8-3	G. 750
램프 / LAMP -----	FIG. 8-4	G. 760
배선, 콘트롤러 및 센서 (수평 제어) / WIRE, CON. & SENSOR -----	FIG. 8-5	G. 750
<b>■ 유압 장치 /</b>		
유압 하우징 / HYDRAULIC HOUSING -----	FIG. 9-1	G. 820
리프트 제어밸브 및 링크 / LIFT CONTROL VALVE & LINK -----	FIG. 9-2	G. 822
TM 제어밸브 / TM CONTROL VALVE -----	FIG. 9-3	G. 822
유압인출 및 로더밸브 / FRONT OUTLET & LOADER VALVE -----	FIG. 9-4	G. 822
유압 라인 / HYDRAULIC LINES -----	FIG. 9-5	G. 823
견인 제어 링크 / DRAFT CONTROL LINK -----	FIG. 9-6	G. 824
유압 제어 레버 / HYDRULIC CONTROL LEVER -----	FIG. 9-7	G. 825
유압 실린더 / HYDRAULIC CYLINDER -----	FIG. 9-8	G. 826
원격 유압 밸브 / REMOTE CONTROL VALVE -----	FIG. 9-9	G. 827
상부 링크 브라켓트 / UPPER LINK BRACKET -----	FIG. 9-10	G. 828
드로우바 히치 / DRAWBAR HITCH -----	FIG. 9-11	G. 891
상부 및 하부 링크 / UPPER & LOWER LINK -----	FIG. 9-12	G. 828
리프트 로드 / LIFT ROD -----	FIG. 9-13	G. 896
체크링크 / CHECK LINK -----	FIG. 9-14	G. 896
수평제어 유압라인 / AUTO LEVELING HYDRAULIC LINE -----	FIG. 9-15	G. 829
<b>■ 외장 / SHEET METAL, INTERIOR</b>		
후드 / HOOD -----	FIG. 10-1	G. 830
마운트 / MOUNT -----	FIG. 10-3	G. 840
의자 / SEAT -----	FIG. 10-4	G. 850
출입문 / DOOR -----	FIG. 10-5	G. 862
전방창, 측방창 / FRONT & SIDE WINDOW -----	FIG. 10-6	G. 863
후방창 / REAR WINDOW -----	FIG. 10-7	G. 863
내장재 / INTERIOR -----	FIG. 10-8	G. 864
에어컨 / AIR CONDITIONER -----	FIG. 10-9	G. 865
윈도우 와이퍼 / WINDOW WIPER -----	FIG. 10-10	G. 866
지붕 / ROOF -----	FIG. 10-11	G. 867
외장재 / EXTERIOR -----	FIG. 10-12	G. 868
공용품 / COMMON -----	FIG. 10-13	G. 869
펜더 / FENDER -----	FIG. 10-14	G. 870
보호구조물 / ROPS -----	FIG. 10-15	G. 880
<b>■ 공구, 데칼 /</b>		
공구 / TOOLS -----	FIG. 11-1	G. 920
데칼 / DECAL -----	FIG. 11-2	G. 980

**★★ 주의 ★★**

1. 양식 수정 절대금지 (열 너비, 행 추가, 폰트 변경 등)
2. 작성 요령은 다음 화일을 참조 하세요.

T:\Wdrawings\Wpartbook\W양식-폰트\W2004-파트북작성요령.ppt

**지역 구분**

내수 전용 또는 내수-수출 공용 : (별도 표시 없음)

DO : 내수 (Domestic)

AG : Agracat

EX : Long

EU : Europe

JP : Japan

MY : Malaysia

R : Renault

TF : Tafe

TK : Turkey

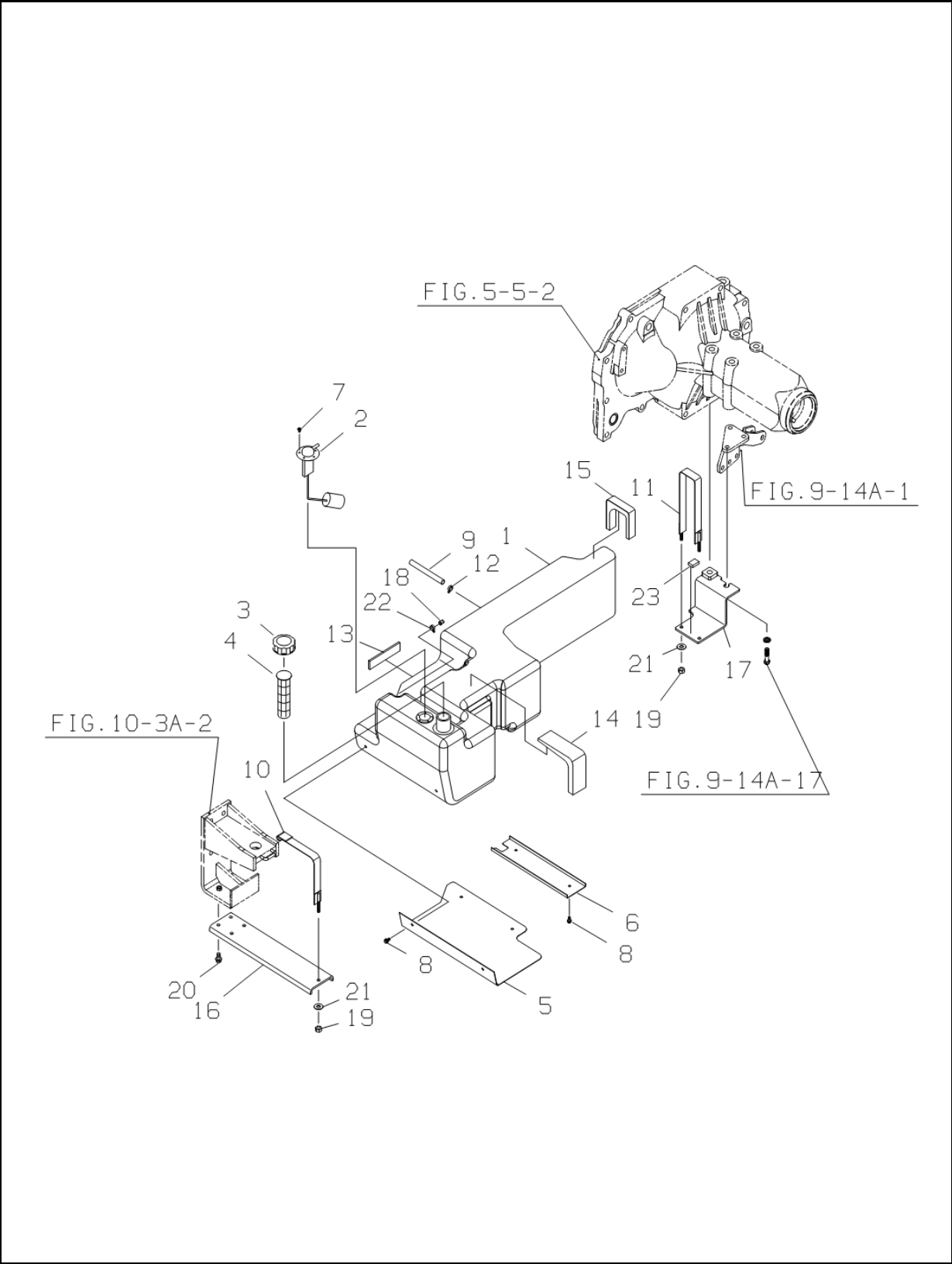
VA : Valtra

EXPORT : 수출 전체

# FUEL TANK

FIG. 2-1A-2

G. 040



# FUEL TANK

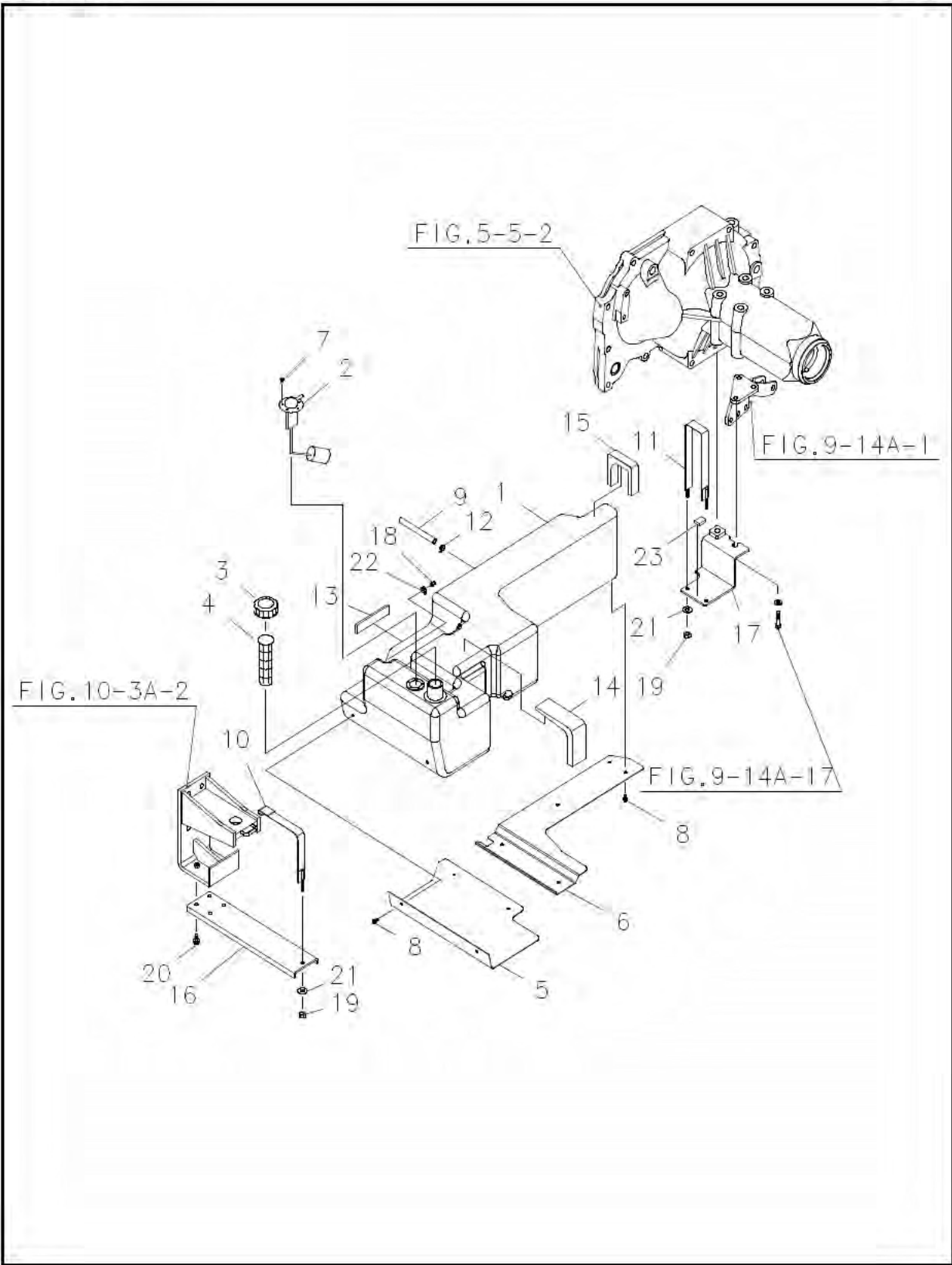
**FIG. 2-1A-2 AG, VA (F)**

NO.	PART NO.	PART NAME & DESCRIPTION		QTY	APP. NO	REM.
1-15	A1040193	FUEL TANK ASSY		1		
1	A1040194	TANK FUEL		1		
2	A1040195	GAUGE, FUEL		1		
3	A1040170	CAP. FUEL TANK		1		
4	A1040052	STRAINER, FUEL TANK		1		
5	A1040166	TANK COVER, FRONT		1		
6	A1040247	TANK COVER, REAR		1		
7	S153051613	BOLT, HEX. W/WASHER	M5x0.8x16L	5		
8	S159061213	BOLT, HEX. W/WASHER	M6x1.0x12L	9		
9	A1040203	HOSE, FUEL		1		
10	A1040201	BAND FRONT		1		
11	A1040169	BAND REAR		1		
12	A0641005	CLAMP, HOSE		1		
13	A1040197	SPONGE1		1		
14	A1040198	SPONGE2		1		
15	A1040199	SPONGE3		1		
16	A1040164	TANK BKT. FRONT		1		
17	A1040200	TANK BKT. REAR		1		
18	A1040129	CAP. FUEL RETURN NIPPLE		1		
19	A1877079	NUT, LOCK	M8x1.25	3		
20	S159083033	BOLT, HEX. W/WASHER	M8x1.25x30L	4		
21	S365082613	WASHER, PLN L-RD	Φ26/Φ8.4x2.5T	3		
22	A1970310	CLAMP, HOSE		5		
23	A1040237	SPONGE, FUEL TANK		1		

# FUEL TANK

FIG. 2-1A-2

G. 040



# FUEL TANK

**FIG. 2-1A-2 AG**

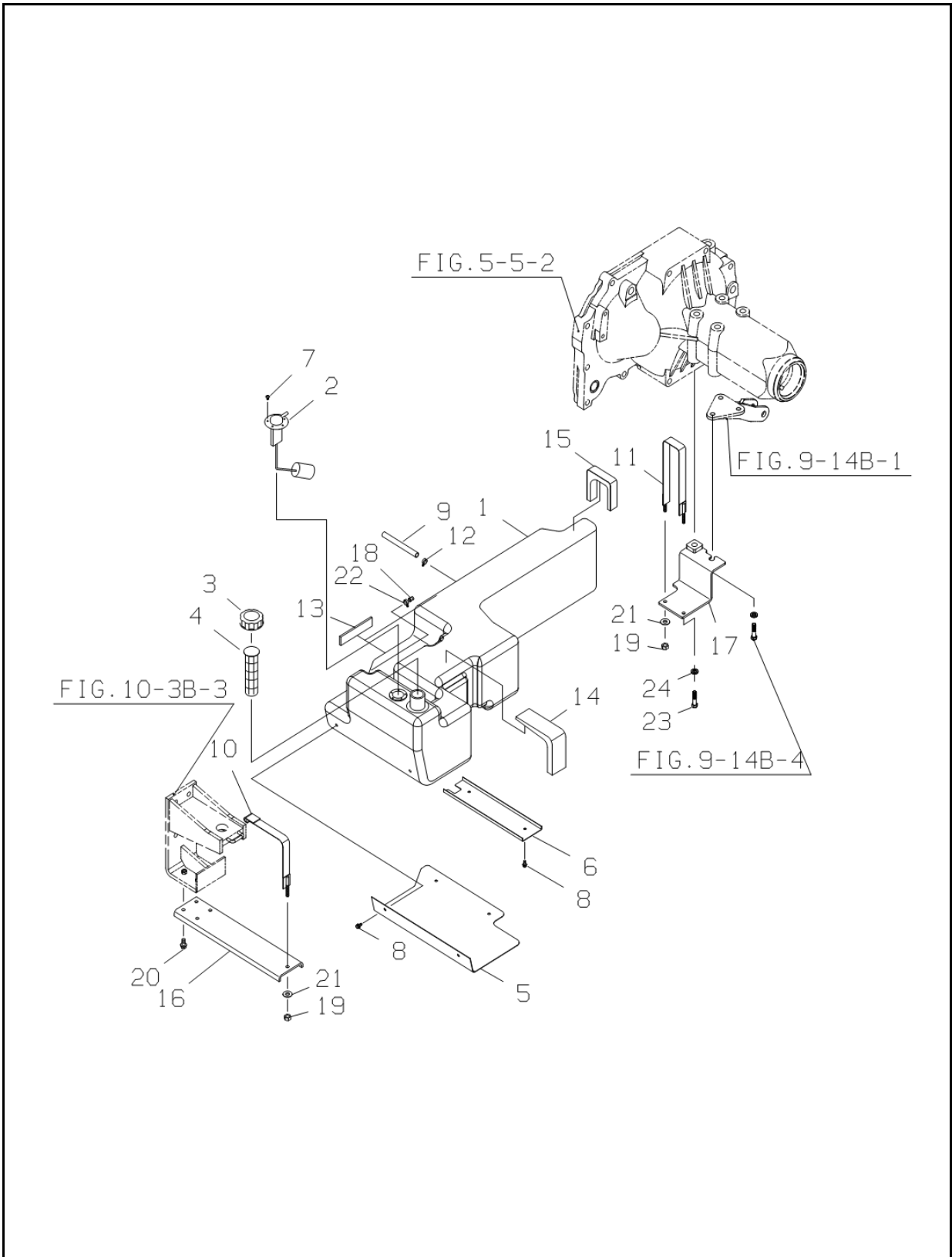
**( F )**

NO.	PART NO.	PART NAME & DESCRIPTION		QTY	APP. NO	REM.
1~15	A1040193	FUEL TANK ASSY		1		
1	A1040194	TANK FUEL		1		
2	A1040195	GAUGE, FUEL		1		
3	A1040170	CAP. FUEL TANK		1		
4	A1040052	STRAINER, FUEL TANK		1		
5	A1040166	TANK COVER, FRONT		1		
6	A1040196	TANK COVER, REAR		1		
7	S153051613	BOLT, HEX. W/WASHER	M5x0.8x16L	5		
8	S159061213	BOLT, HEX. W/WASHER	M6x1.0x12L	9		
9	A1040203	HOSE, FUEL		1		
10	A1040201	BAND FRONT		1		
11	A1040169	BAND REAR		1		
12	A0641005	CLAMP, HOSE		1		
13	A1040197	SPONGE1		1		
14	A1040198	SPONGE2		1		
15	A1040199	SPONGE3		1		
16	A1040164	TANK BKT.FRONT		1		
17	A1040200	TANK BKT.REAR		1		
18	A1040129	CAP. FUEL RETURN NIPPLE		1		
19	A1877079	NUT, LOCK	M8x1.25	3		
20	S159083033	BOLT, HEX. W/WASHER	M8x1.25x30L	4		
21	S365082613	WASHER, PLN L-RD	Φ26/Φ8.4x2.5T	3		
22	A1970310	CLAMP, HOSE		5		
23	A1040237	SPONGE, FUEL TANK		1		

# FUEL TANK

FIG. 2-1B-2

G. 040





# FUEL TANK

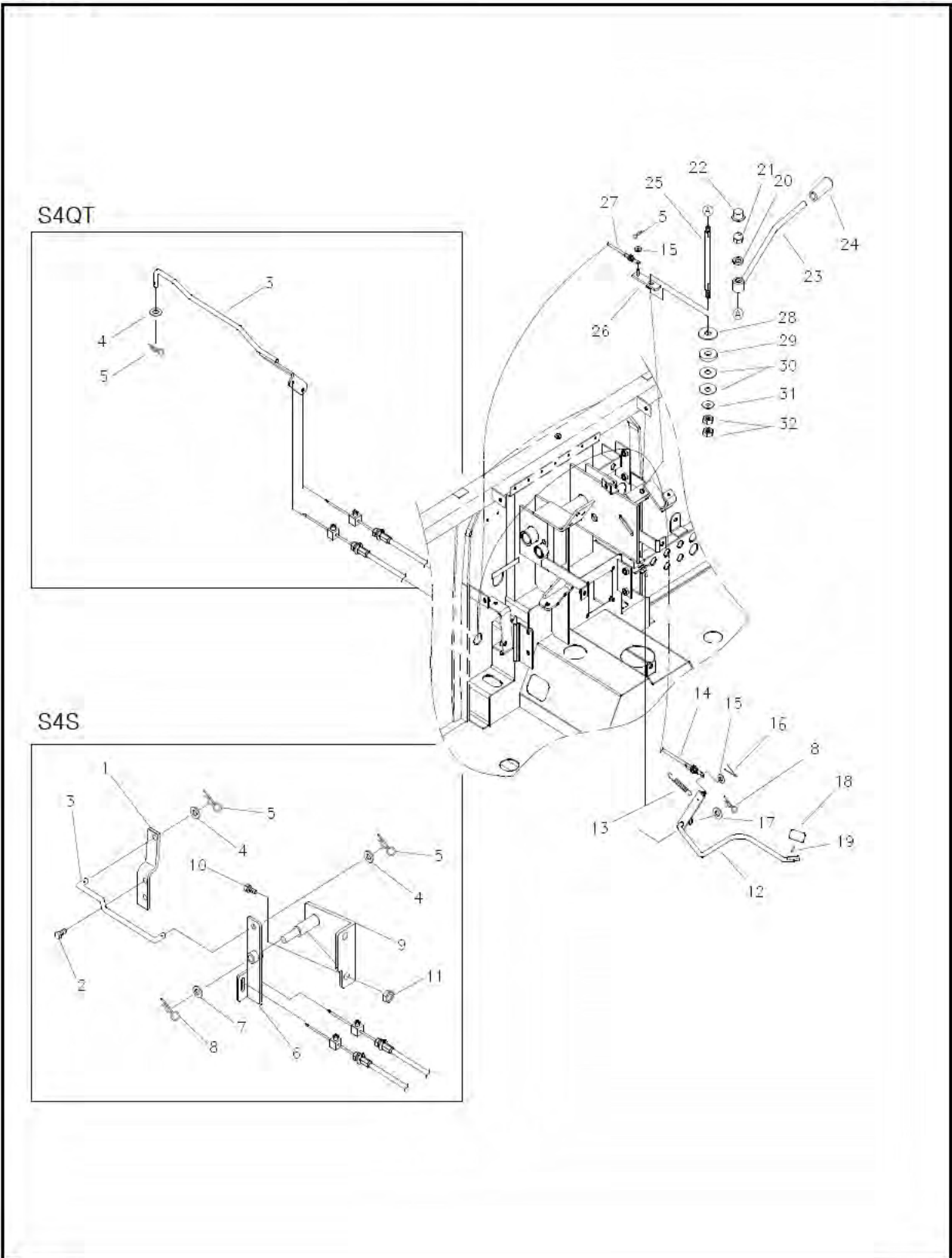
**FIG. 2-1B-2 AG, VA (C)**

NO.	PART NO.	PART NAME & DESCRIPTION		QTY	APP. NO	REM.
1-15	A1040193	FUEL TANK ASSY		1		
1	A1040194	TANK FUEL		1		
2	A1040195	GAUGE, FUEL		1		
3	A1040170	CAP. FUEL TANK		1		
4	A1040052	STRAINER, FUEL TANK		1		
5	A1040166	TANK COVER, FRONT		1		
6	A1040247	TANK COVER, REAR		1		
7	S153051613	BOLT, HEX. W/WASHER	M5x0.8x16L	5		
8	S159061213	BOLT, HEX. W/WASHER	M6x1.0x12L	9		
9	A1040203	HOSE, FUEL		1		
10	A1040201	BAND FRONT		1		
11	A1040169	BAND REAR		1		
12	A0641005	CLAMP, HOSE		1		
13	A1040197	SPONGE1		1		
14	A1040198	SPONGE2		1		
15	A1040199	SPONGE3		1		
16	A1040164	TANK BKT. FRONT		1		
17	A1040200	TANK BKT. REAR		1		
18	A1040129	CAP. FUEL RETURN NIPPLE		1		
19	A1877079	NUT, LOCK	M8x1.25	3		
20	S159083033	BOLT, HEX. W/WASHER	M8x1.25x30L	4		
21	S365082613	WASHER, PLN L-RD	Φ26/Φ8.4x2.5T	3		
22	A1970310	CLAMP, HOSE		5		
23	S103164043	BOLT, HEX	M16x1.5x40L	1		
24	S361160013	WASHER, SPR	Φ26/Φ16.2x4T	1		

# ENGINE CONTROL

FIG. 2-2

G. 100



# ENGINE CONTROL

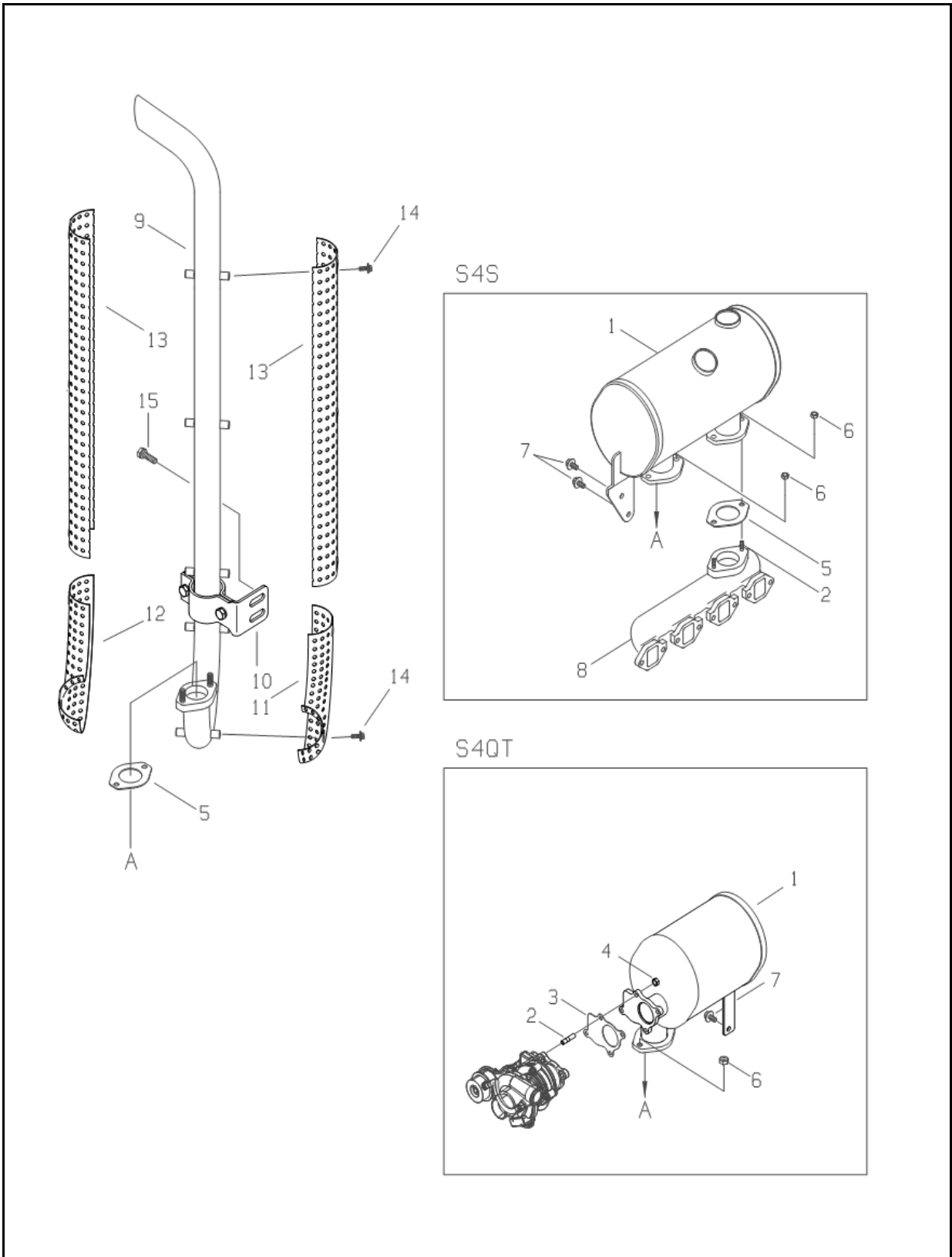
**FIG. 2-2**

NO.	PART NO.	PART NAME & DESCRIPTION	QTY	APP. NO	REM.
1	A1100069	LEVER, INJ. PUMP	1		
2	S155061633	BOLT, W/WASHER	2		
3	A1100114	ROD, ENG. CONTROL	*		
3	A1100071	ROD, ENG. CONTROL	1		
4	A1970286	WASHER, PLASTIC	2		
5	S443060013	PIN, SNAP	3		
6	A1100097	LEVER, ENG. CONTROL	1		
7	S363100013	WASHER, PLAIN	2		
8	S443100013	PIN, SNAP	2		
9	A1100094	BRACKET, CONTROL ROD	1		
10	S155082033	BOLT, W/WASHER	2		
11	S345080043	NUT, FLANGE	1		
12	A1100122	PEDAL, ACCELERATOR	1		
13	A1100090	SPRING, RETURN	1		
14	A1100078	WIRE, PEDAL	1		
15	S363060013	WASHER, PLAIN	2		
16	S441251613	PIN, SPLIT	1		
17	S365103213	WASHER, PLAIN	1		
18	A1970357	PEDAL, ACCEL.	1		
19	S446032012	PIN, SPR. W-TY	1		
20	S361080013	WASHER, SPRING	1		
21	S337080013	NUT, CAP	1		
22	A1970391	CAP, LEVER	1		
23	A1100047	LEVER, ACCELERATOR	1		
24	A1970355	KNOB, ACCEL. LEVER	1		
25	A1100093	SHAFT, ENG. CONTROL	1		
26	A1100041	LEVER, ENG. CONTROL	1		
27	A1100046	WIRE, ACCELERATOR	1		
28	3A0589742	FRICTION PLATE	1		
29	S365123013	WASHER, PLAIN	1		
30	3A1100006	SPRING, PLATE	2		
31	S364080013	WASHER, PLAIN	1		
32	S313080043	NUT, HEX	2		

# MUFFLER

FIG. 2-3

G. 150



# MUFFLER

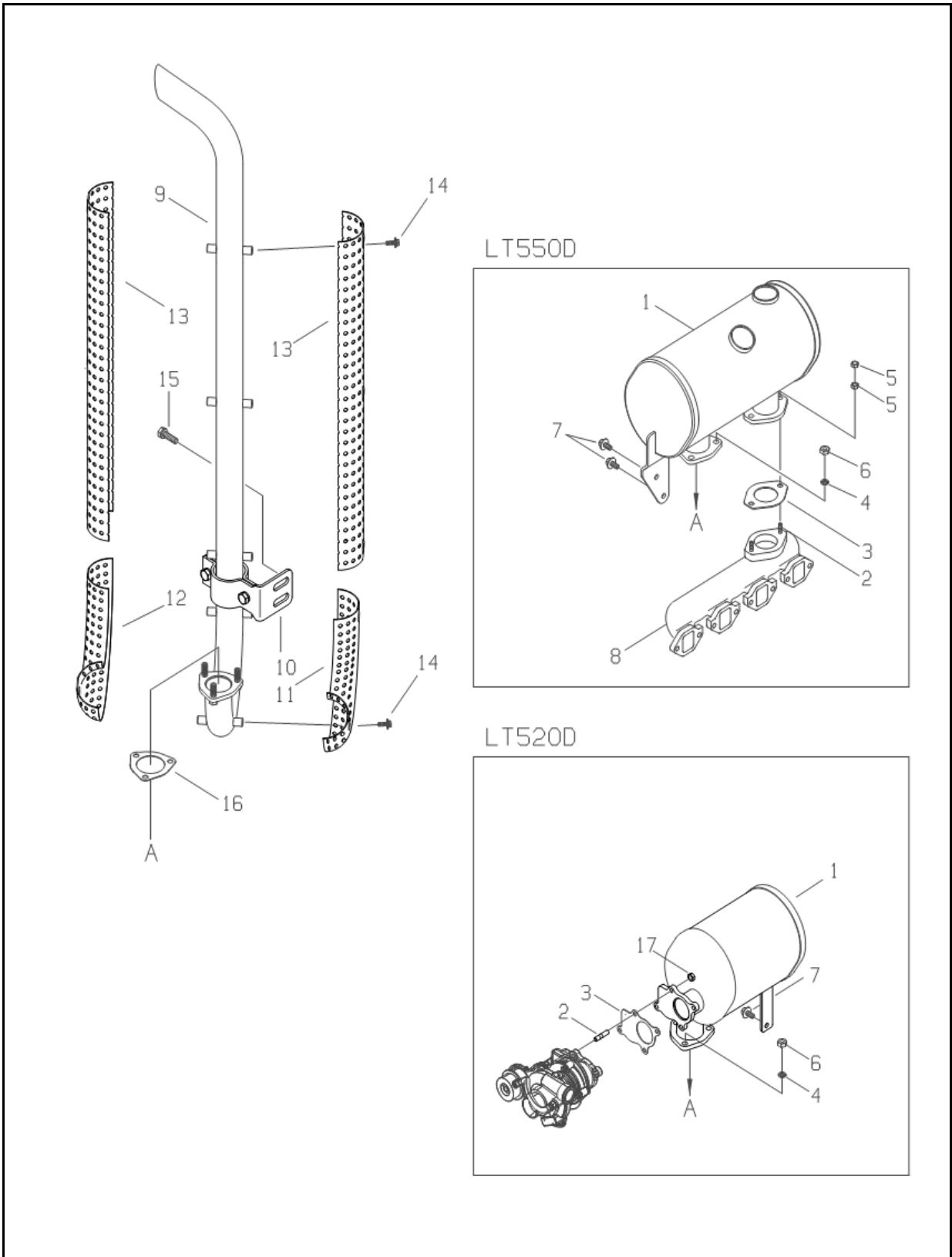
**FIG. 2-3**

NO.	PART NO.	PART NAME & DESCRIPTION	QTY	APP. NO	REM.
1	A1151170	MUFFLER ASSY	*		
	A1151167	MUFFLER ASSY	1		
2	S139082523	BOLT, STUD	M8X1.25X25L	2	
3	A1151158	GASKET, MUFFLER		*	
4	S345080043	NUT, FLANGE	M8X1.25	*	
5	A1151100	GASKET, MUFFLER		2	
6	S345080013	NUT, FLANGE	M8X1.25	4	
7	S159082033	BOLT, W/WASHER	M8X1.25X20L	2	
8	Q1650006	MANIFOLD, EXHAUST		1	
9~14	A1151168	TAIL PIPE ASSY		1	
9	A1151169	PIPE, STACK		1	
10	A1151135	BRACKET, STACK PIPE		1	
11	A1151131	COVER, SAFETY (LH)		1	
12	A1151132	COVER, SAFETY (RH)		1	
13	A1151130	COVER, STACK PIPE		2	
14	S159062033	BOLT, W/WASHER	M6X1.0X20L	10	
15	S154102533	BOLT, W/WASHER	M10X1.25X25L	2	

# MUFFLER

FIG. 2-3

G. 150



# MUFFLER

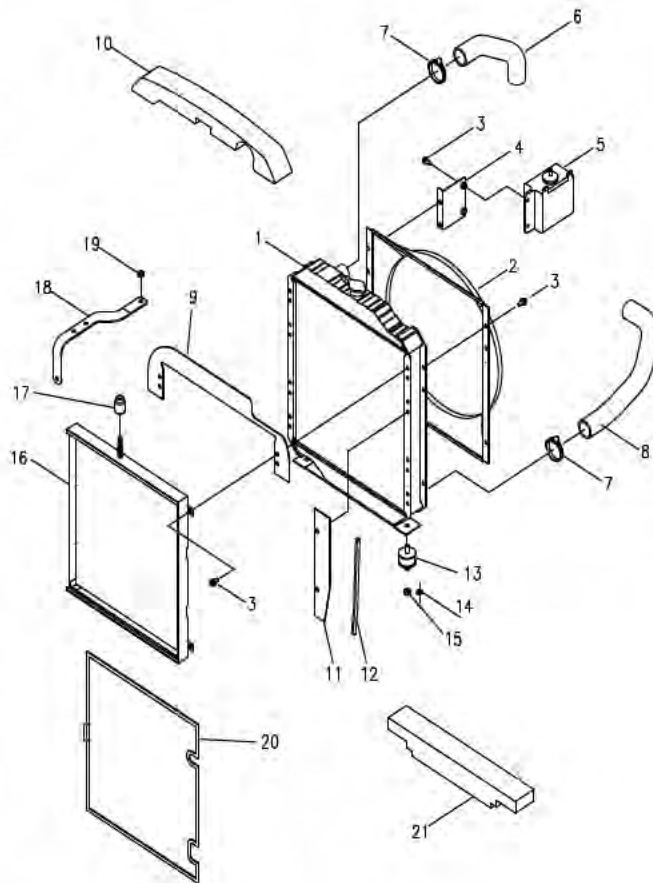
**FIG. 2-3**

NO.	PART NO.	PART NAME & DESCRIPTION		QTY	APP. NO	REM.
1	A1151165	MUFFLER ASSY		*		
	A1151128	MUFFLER ASSY		1		
2	S139082523	BOLT, STUD	M8X1.25X25L	2		
3	A1151158	GASKET, MUFFLER		*		
	A1151100	GASKET, MUFFLER		1		
4	S345080043	NUT, FLANGE	M8X1.25	*		
5	S313080070	NUT, HEX.2-TY	M8X1.25	4		
6	S345080013	NUT, FLANGE	M8X1.25	2		
7	S159082033	BOLT, W/WASHER	M8X1.25X20L	2		
8	Q1650006	MANIFOLD, EXHAUST		1		
9-14	A1151136	TAIL PIPE ASSY		1		
9	A1151129	PIPE, STACK		1		
10	A1151135	BRACKET, STACK PIPE		1		
11	A1151131	COVER, SAFETY (LH)		1		
12	A1151132	COVER, SAFETY (RH)		1		
13	A1151130	COVER, STACK PIPE		2		
14	S159062033	BOLT, W/WASHER	M6X1.0X20L	10		
15	S154102533	BOLT, W/WASHER	M10X1.25X25L	2		
16	A1151134	GASKET, STACK PIPE		1		

# RADIATOR

FIG. 2-4B

G. 170





# RADIATOR

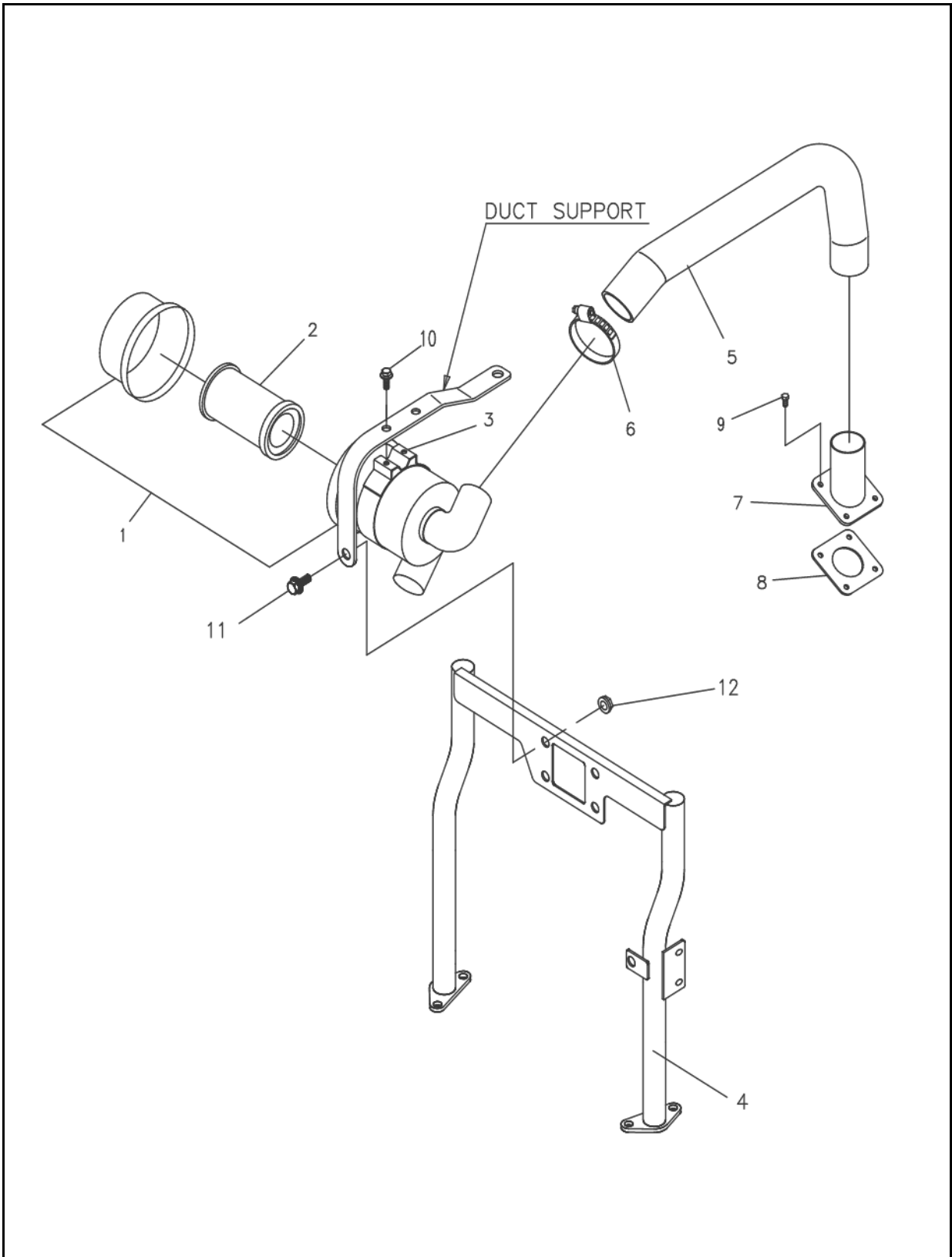
**FIG. 2-4B**

NO.	PART NO.	PART NAME & DESCRIPTION	QTY	APP. NO	REM.
1	A1170183	RADIATOR	1		
2	A1170205	SHROUD, FAN	1		
3	S155082033	BOLT, W/WASHER	17		
4	A1170211	BRACKET, COOLANT TANK	1		
5	A1170031	TANK, RESERVOIR	1		
6	A1170208	HOSE, WATER UPPER	1		
7	A1970201H	CLAMP, HOSE	4		
8	A1170209	HOSE, WATER LOWER	1		
9	A1170206	BAFFLE, UPPER	1		
10	A1170212	SPONGE, ISOLATION UPPER	1		
11	A1170171	PLATE	2		
12	A1170184	WEATHER STRIP	2		
13	A1970360	RUBBER, DAMPING	2		
14	S361100013	WASHER, SPR. 1-TYPE	2		
15	S302100043	NUT, HEX. 1-TYPE	2		
16	A1170214	DUCT, AIR INTAKE	1		
17	A1970258	RUBBER, CUSHION	1		
18	A1170210	SUPPORT, DUCT	1		WET
	A1170236	SUPPORT, DUCT	1		DRY
19	S305100013	NUT, HEX. 2-TYPE	1		
20	A1170207	NET, RADIATOR	1		
21	A1170213	SPONGE, ISOLATION LOWER	1		

# AIR CLEANER

FIG. 2-5C

G. 190



# AIR CLEANER

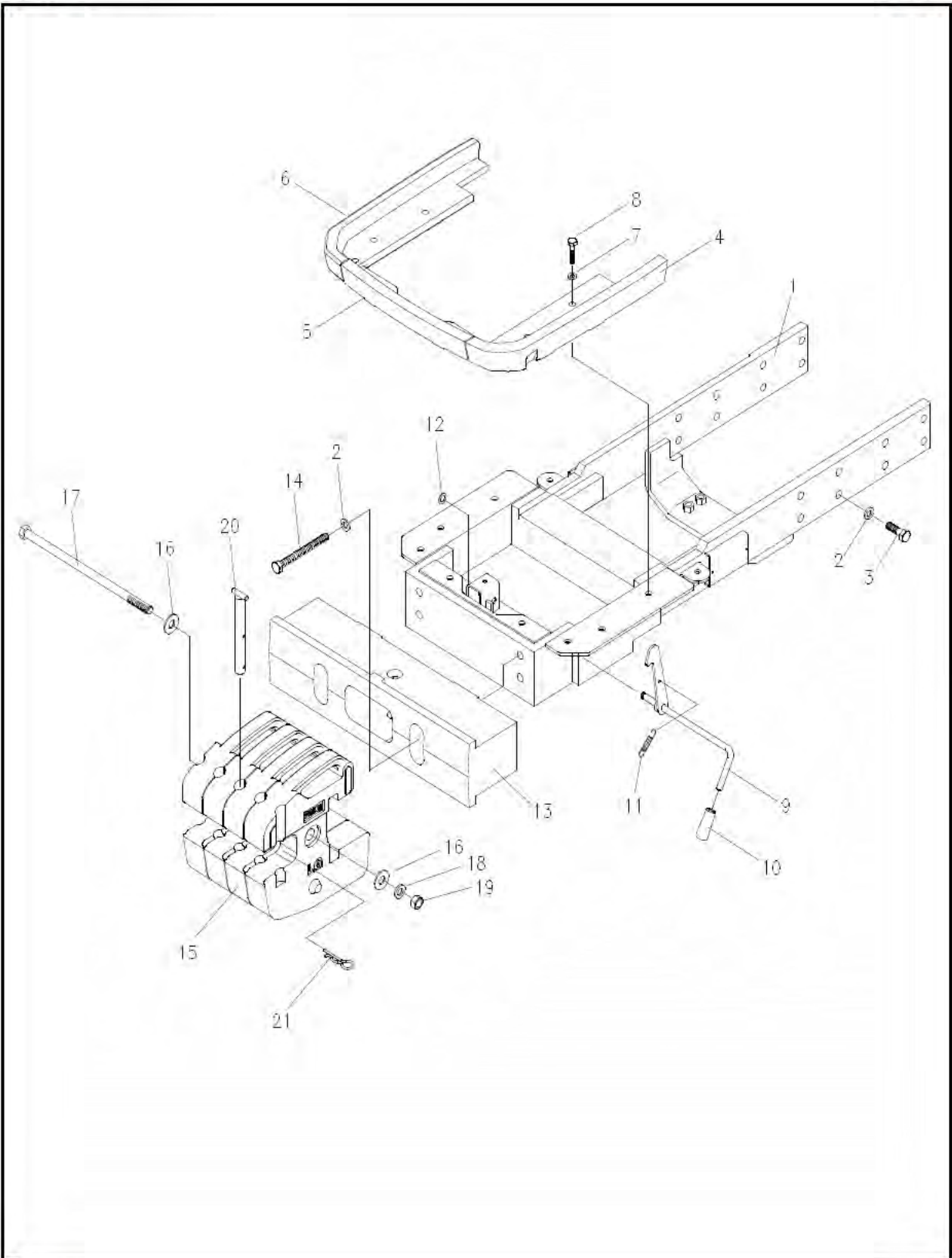
**FIG. 2-5C**

NO.	PART NO.	PART NAME & DESCRIPTION	QTY	APP. NO	REM.
1-2	A1190107	AIR CLEANER ASSY	1		
1	A1190118	BODY ASSY	1		
2	A1190108	ELEMENT, PRIMARY	1		
3	A1190106	BAND, AIR CLEANER	1		
4	A1190148	SUPPORT, AIR CLEANER	1		
5	A1190149	HOSE, AIR CLEANER	1		
6	A1970201L	CLAMP, HOSE	2		
7	A1190052	PIPE, AIR INTAKE	1		
8	A1190051	GASKET	1		
9	S153082033	BOLT, HEX. W/WASHER	4		
		M8x1.25x20			
10	S155102033	BOLT, HEX. W/WASHER	2		
11	S156102533	BOLT, HEX. W/WASHER	1		
12	S346100043	NUT, FLANGE	1		

# ENGINE FRAME

FIG. 2-6

G. 210



# ENGINE FRAME

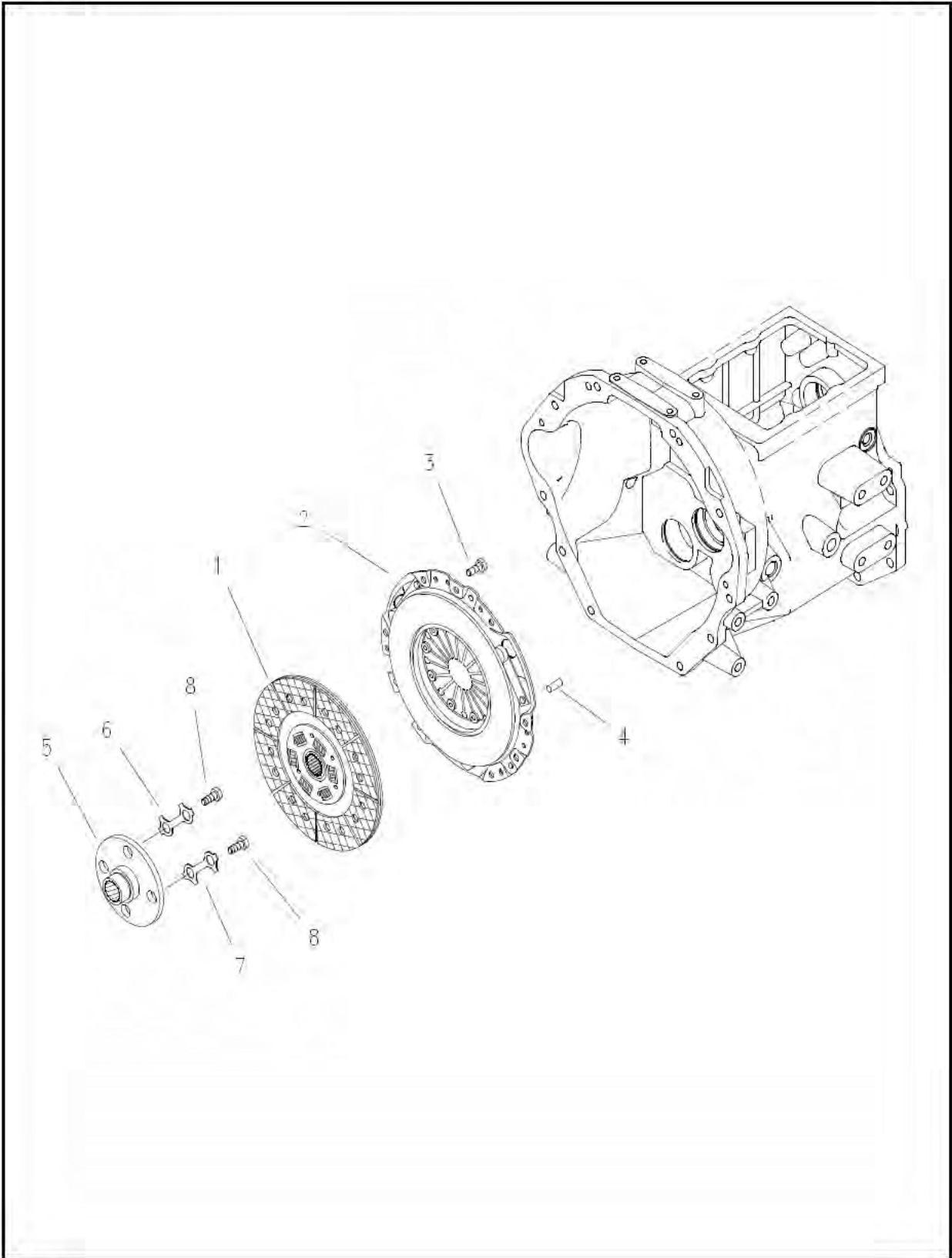
**FIG. 2-6**

NO.	PART NO.	PART NAME & DESCRIPTION		QTY	APP. NO	REM.
1	A1210125	FRAME, ENGINE (4WD)		*		4WD
	A1210126	FRAME, ENGINE (2WD)		*		2WD
	A1210106	FRAME, ENGINE (4WD)		1		4WD
	A1210115	FRAME, ENGINE (2WD)		1		2WD
2	S361140013	WASHER, SPR. 1-TYPE		20		
3	S101144543	BOLT, HEX	M14X2.0X45L	16		
4	A1215034	WEIGHT, LH		1		
5	A1215033	WEIGHT, MIDDLE		1		
6	A1215035	WEIGHT, RH		1		
7	S361100013	WASHER, SPR. 1-TYPE		8		
8	S101104543	BOLT, HEX.	M10X1.5X45L	8		
9	A1830478	HOOK, GRILLE		1		
10	A0710037	GRIP		1		
11	A1830248	SPRING		1		
12	S810012001	RING, SNAP		1		
13	A1215024	WEIGHT, BUMPER	55kg	1		
14	S104141443	BOLT, HEX	M14X1.5X140L	4		
15	A1215030	WEIGHT, FRONT	20kg/EA	4		
16	3A0010847	WASHER, STOP		2		
17	A1215028	BOLT, HEX.	M16X1.5X245L	1		
18	S361160013	WASHER, SPR. 1-TYPE		1		
19	S314160013	NUT, HEX. 2-TYPE	M16X1.5	1		
20	A1215031	PIN, FRONT HOOK		1		
21	A1970350	PIN, SNAP		1		

# CLUTCH

FIG. 3-1

G. 250

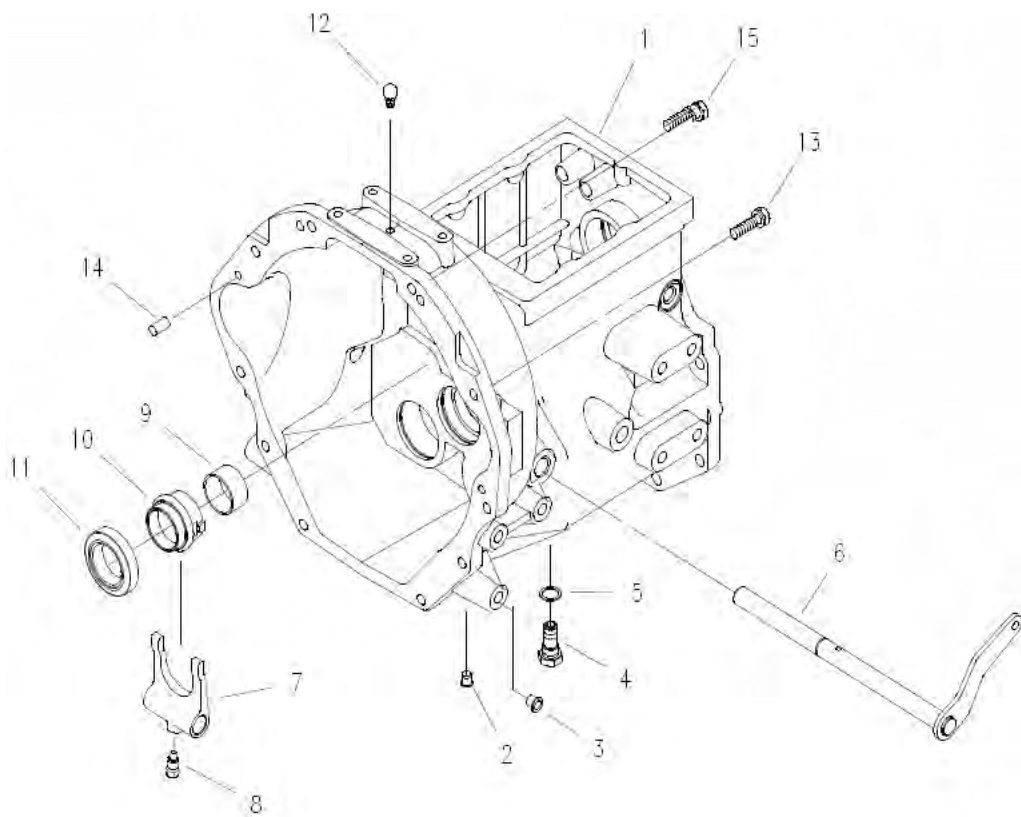




# CLUTCH HOUSING

FIG. 3-2

G. 250





# CLUTCH HOUSING

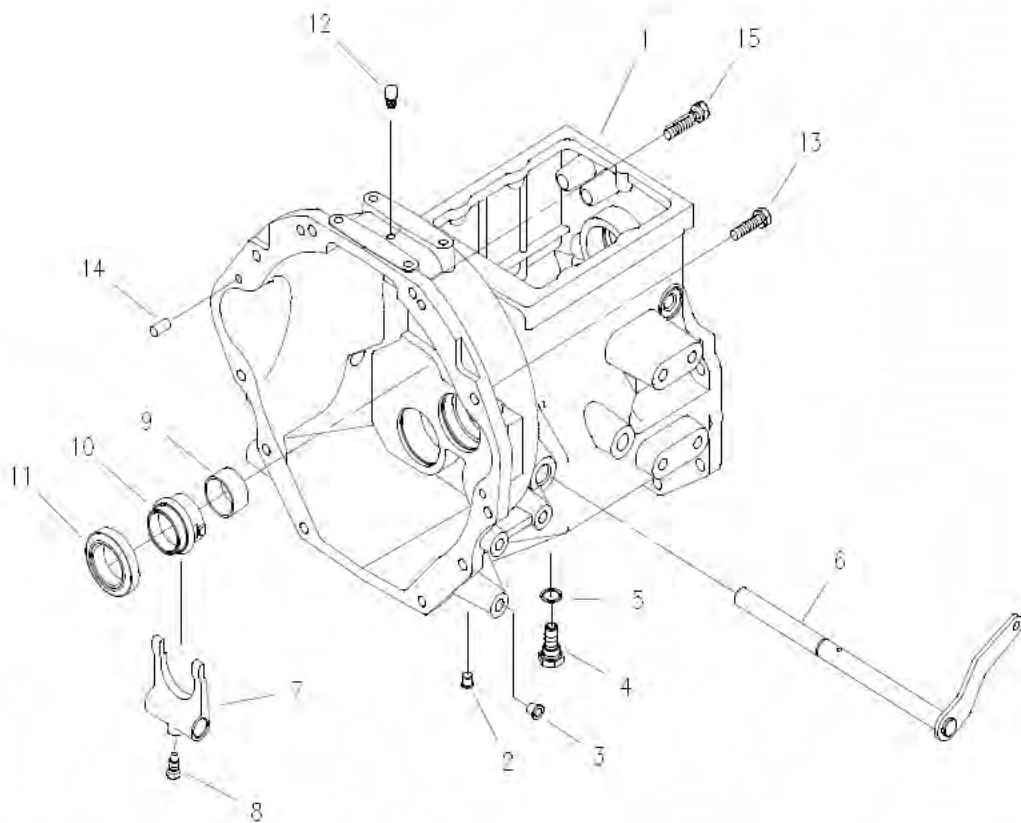
**FIG. 3-2**

NO.	PART NO.	PART NAME & DESCRIPTION	QTY	APP. NO	REM.
1	A1250150	HOUSING, CLUTCH	1		
2	3A1250009	PLUG	D12 1		
3	3A1970068	PLUG	D12 6		
4	3A1250013	PLUG, MAGNET	M20x1.5 1		
5	A10263360	SEAL	OD26xID20x1.5t 1		280GRP
6	A1260083	SHAFT, CLUTCH LEVER	1		280GRP
7	A1250125	LEVER, CLUTCH SHIFT	1		
8	A1250047	BOLT, LOCKING	M12x1.25 1		
9-10	A1250095	HUB ASSY, RELEASE BEARING	1		
9	A1970236	BUSHING	MB4525DU(OD50xID45x25) 1		
10	A1250071	HUB, RELEASE BEARING	1		
11	A1250056	BEARING, RELEASE	TK55-1BU3(OD87.6xID55x21.5) 1		
12	A1250049	PLUG, AIR VENT	1		
13	S153124533	BOLT, HEX. W/WASHER	M12x1.75x45L 8		
14	S423102010	PIN, DOWEL	D10x20L 2		
15		BOLT, HEX. W/WASHER	M12x1.75x60L 2		

# CLUTCH HOUSING

FIG. 3-2

G. 250



# CLUTCH HOUSING

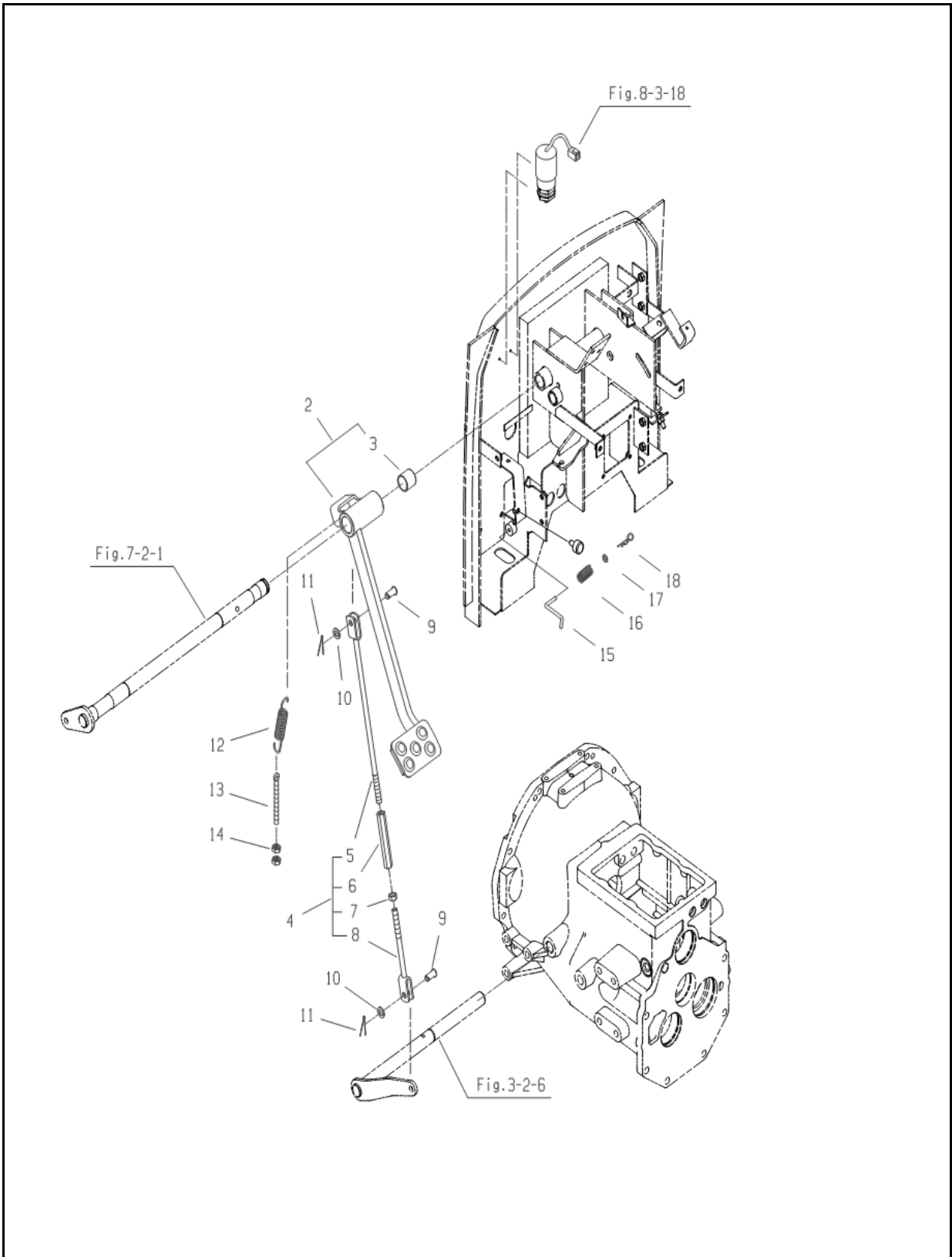
**FIG. 3-2**

NO.	PART NO.	PART NAME & DESCRIPTION	QTY	APP. NO	REM.
1	A1250124	HOUSING, CLUTCH	1		
2	3A1250009	PLUG	D12 1		
3	3A1970068	PLUG	D12 6		
4	3A1250013	PLUG, MAGNET	M20x1.5 1		
5	A10263360	SEAL	OD26xID20x1.5t 1		280GRP
6	A1260083	SHAFT, CLUTCH LEVER	1		280GRP
7	A1250125	LEVER, CLUTCH SHIFT	1		
8	A1250047	BOLT, LOCKING	M12x1.25 1		
9-10	A1250095	HUB ASSY, RELEASE BEARING	1		
9	A1970236	BUSHING	MB4525DU(OD50xID45x25) 1		
10	A1250071	HUB, RELEASE BEARING	1		
11	A1250056	BEARING, RELEASE	TK55-1BU3(OD87.6xID55x21.5) 1		
12	A1250049	PLUG, AIR VENT	1		
13	S153124533	BOLT, HEX. W/WASHER	M12x1.75x45L 8		
14	S423102010	PIN, DOWEL	D10x20L 2		
15	S153126033	BOLT, HEX. W/WASHER	M12x1.75x60L 2		

# CLUTCH PEDAL

FIG. 3-3

G. 260



# CLUTCH PEDAL

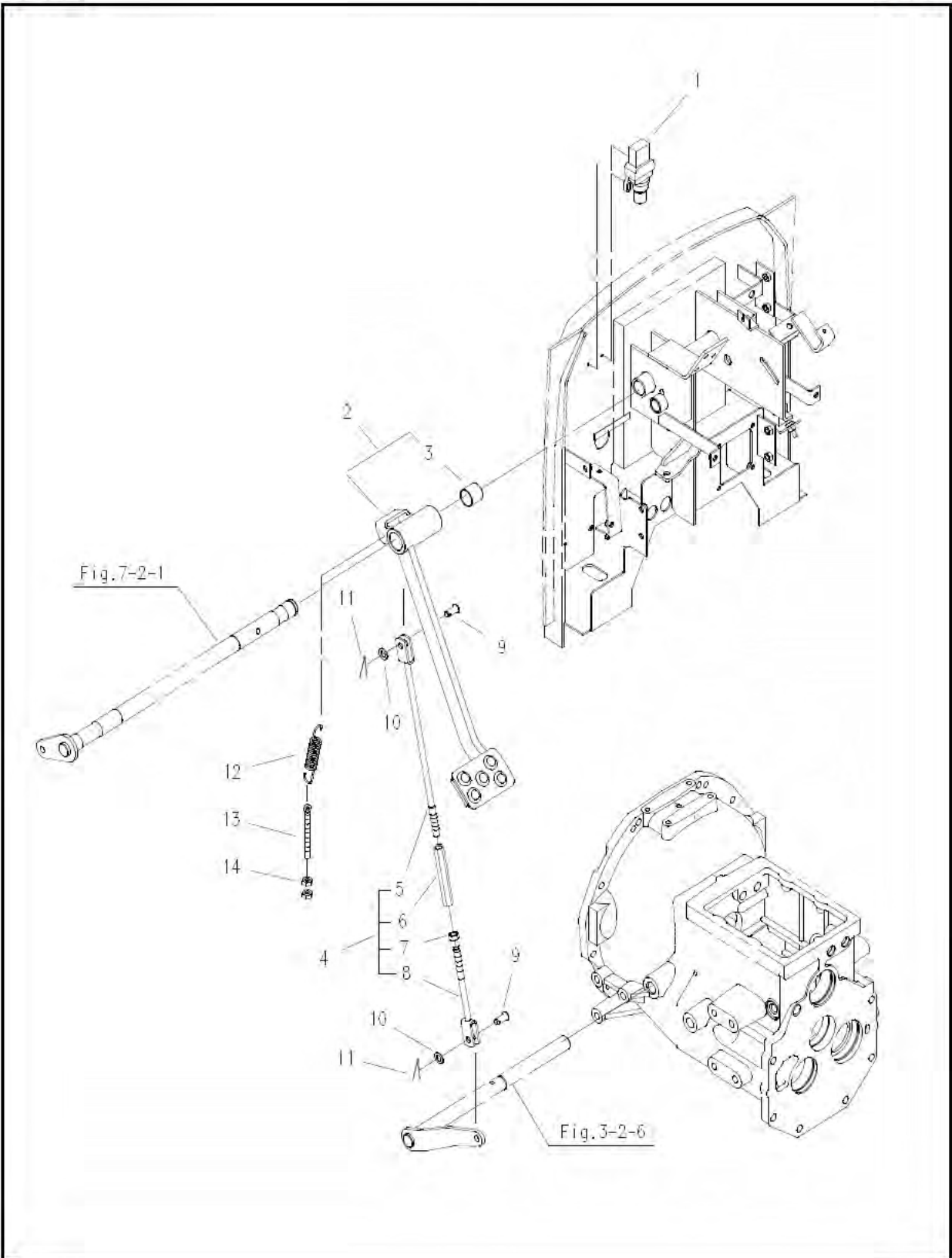
**FIG. 3-3**

NO.	PART NO.	PART NAME & DESCRIPTION	QTY	APP. NO	REM.
1	A3260012	RUBBER	1		
2	A1260081	PEDAL, CLUTCH	1		
3	A0677825	BUSHING	2		
4	A1260085	CLUTCH LINK ASSY	1		
5	A1260079	ROD, CLUTCH	L=301mm 1		
6	A1260078	ADJUSTER, CONTROL	1		
7	S314100013	NUT, HEX	M10x1.25 1		
8	A1260086	ROD, CLUTCH	L=165mm 1		
9	S427102013	PIN, CLEVIS	D10x20L 2		
10	S364100013	WASHER, PLAIN S-RD.	OD18xID10.5x2t 2		
11	S441252013	PIN, COTTER	D3.0x20L 2		
12	A1670255	SPRING	Φ2.3 1		
13	A1260073	BOLT, ADJUSTER	1		
14	S301080043	NUT, HEX	M8x1.25 2		
15	A1260095	ROD, CLUTCH PEDAL LOCK	1		
16	A1260096	SPRING, CLUTCH PEDAL LOCK	1		
17	S363050013	WASHER, PLN. S-RD	1		
18	S443050013	PIN, SNAP A-TY	1		

# CLUTCH PEDAL

FIG. 3-3

G. 260



# CLUTCH PEDAL

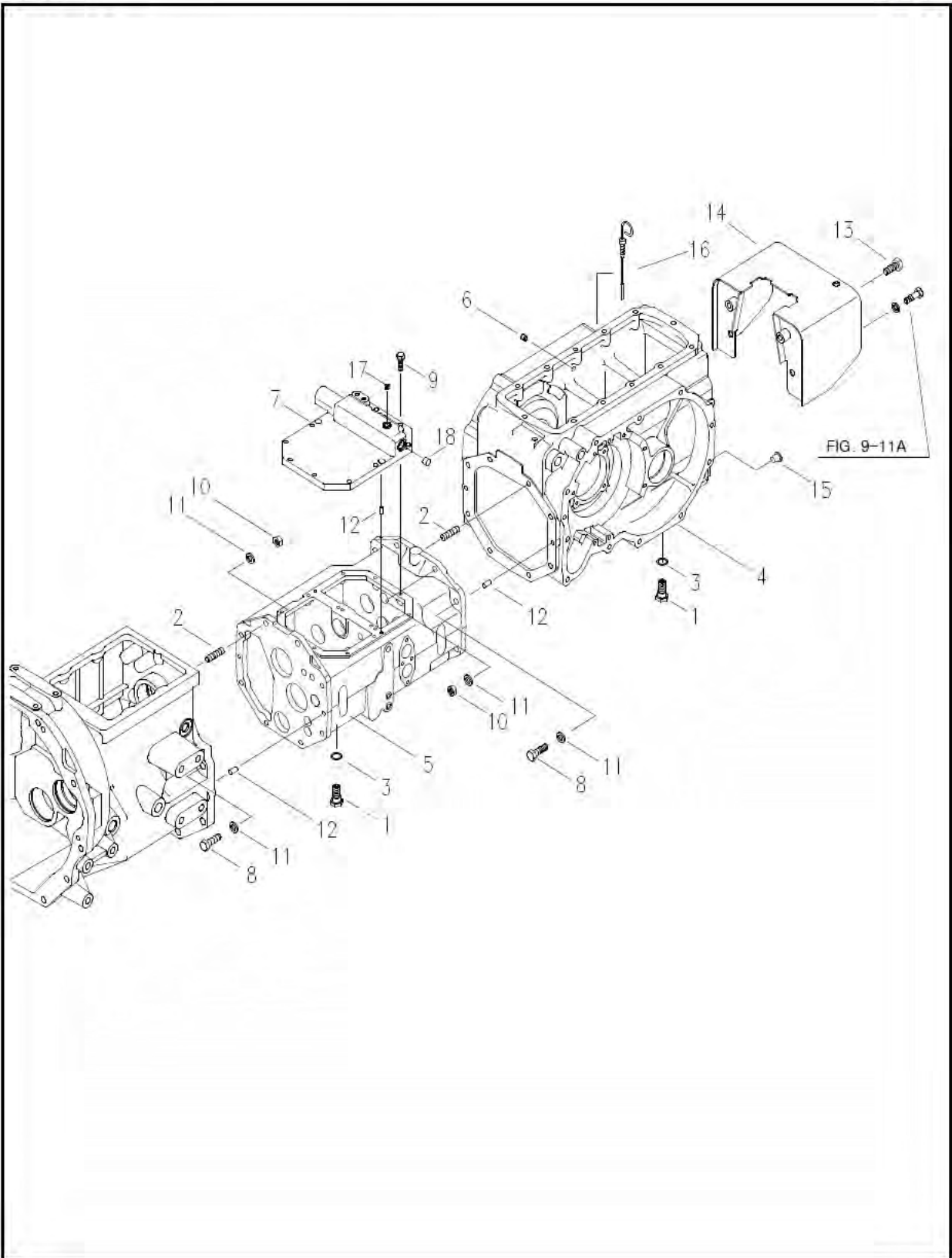
**FIG. 3-3**

NO.	PART NO.	PART NAME & DESCRIPTION	QTY	APP. NO	REM.
1	A1750209	SWITCH, CLUTCH	1		
2	A1260081	PEDAL, CLUTCH	1		
3	A0677825	BUSHING	2		
4	A1260085	CLUTCH LINK ASSY	1		
5	A1260079	ROD, CLUTCH	L=301mm 1		
6	A1260078	ADJUSTER, CONTROL	1		
7	S314100013	NUT, HEX	M10x1.25 1		
8	A1260086	ROD, CLUTCH	L=165mm 1		
9	S427102013	PIN, CLEVIS	D10x20L 2		
10	S363100013	WASHER, PLAIN S-RD.	OD18xID10.5x2t 2		
11	S441252013	PIN, COTTER	D3.0x20L 2		
12	A1670255	SPRING	Φ2.3 1		
13	A1260073	BOLT, ADJUSTER	1		
14	S301080043	NUT, HEX	M8x1.25 2		
15	A3260012	RUBBER	1		

# TRANSMISSION CASE

FIG. 3-4B

G. 280





# TRANSMISSION CASE

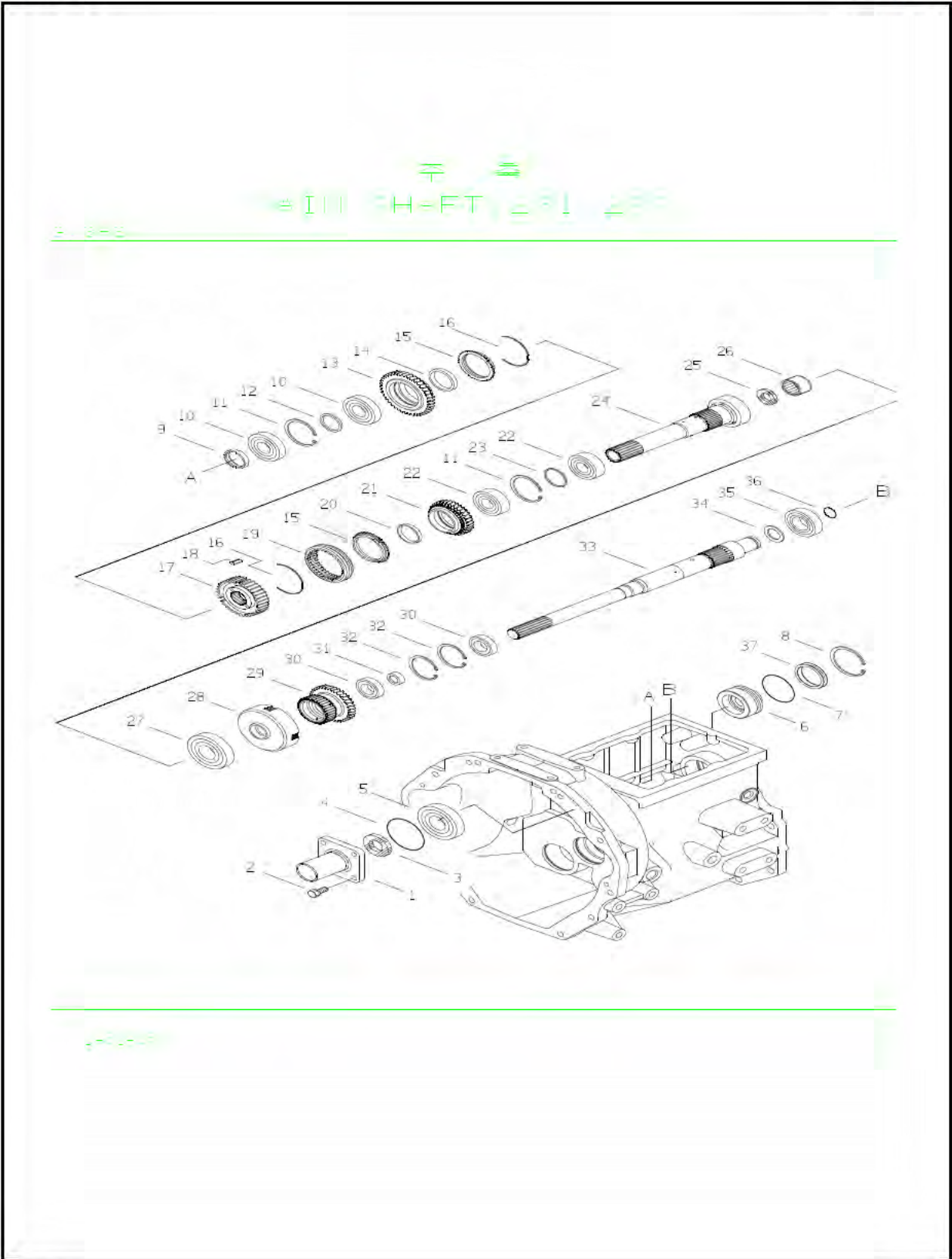
**FIG. 3-4B TK, VA, AG**

NO.	PART NO.	PART NAME & DESCRIPTION		QTY	APP. NO	REM.
1	3A1250013	PLUG, DRAIN	M20x1.5	2		
2	3A1970146	BOLT, STUD	M14x1.5	4		250G-2,280G-2
3	A10263360	SEAL	OD26xID20x1.5t	2		
4	A1280139	CASE, AXLE		1		
5	A1280167	CASE, CENTER		1		
6	A1280046	BREATHER, AIR		2		
7	A1280166	COVER, CENTER CASE		1		
8	S101144543	BOLT, HEX	M14x2.0x45L	12		
9	S154103033	BOLT, HEX. W/WASHER	M10x1.25x30L	10		
10	S314140013	NUT, HEX. S. 2-TY	M14x1.5	4		
11	S361140013	WASHER, SPR. 1-TY	OD24.5xID13.2X3.5t	16		
12	S423102010	PIN, DOWEL	D10x20L	6		
13	S154104033	BOLT, HEX W/WASHER	M10x1.25x40L	2		
14	A1280218	SHIELD, PTO		1		
15	A0610159	PLUG		3		
16	A1280095	GAUGE, OIL LEVEL		1		
17	A0610168	PLUG, TAPER	PT1/4	1		
18	3A1290009	CAP, RAIL		1		

# MAIN SHAFT

FIG. 3-5-1

G. 281,283



# MAIN SHAFT

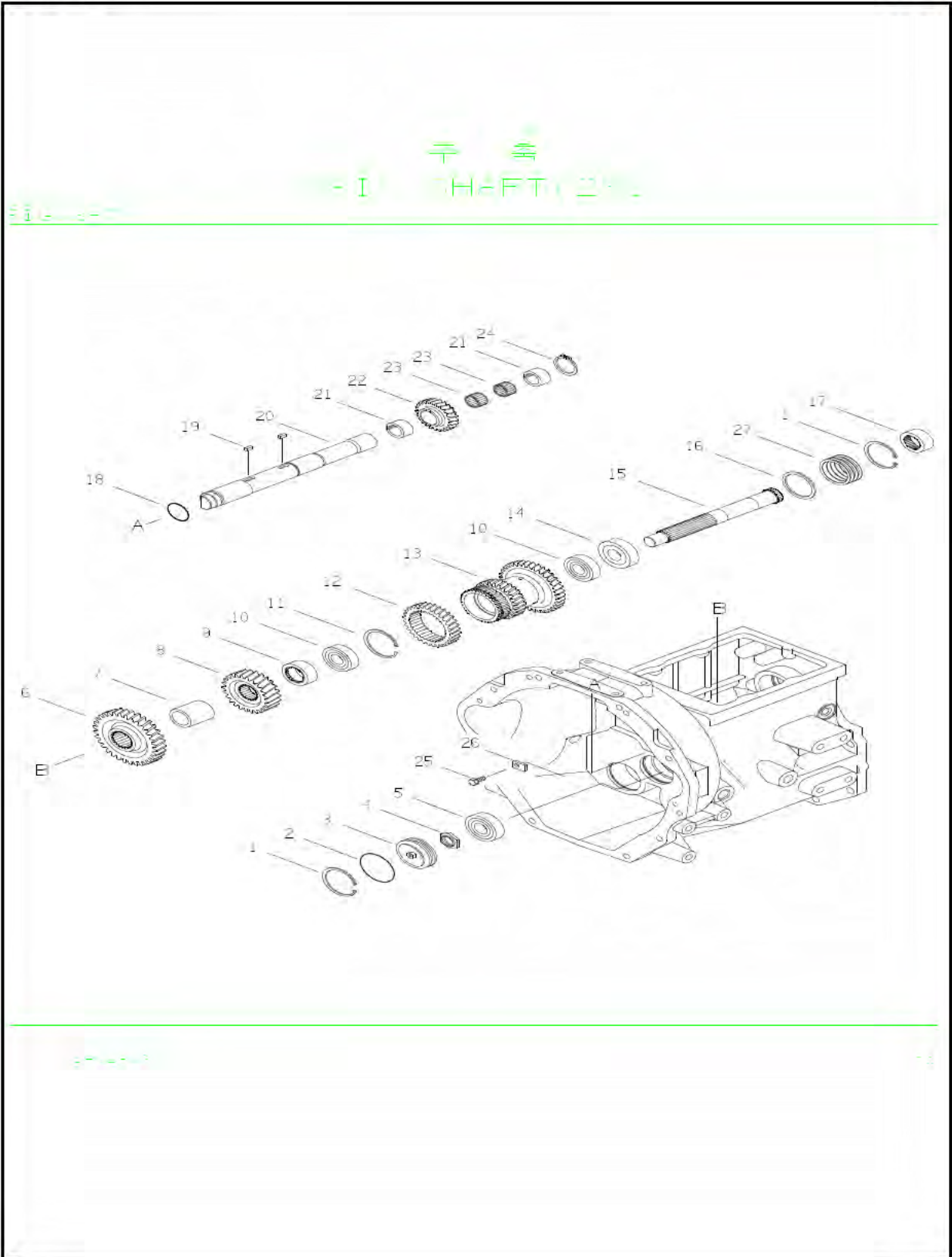
**FIG. 3-5-1**

NO.	PART NO.	PART NAME & DESCRIPTION	QTY	APP. NO	REM.
1	A1280077	COVER, MAIN SHAFT	1		280GRP
2	S154102033	BOLT, HEX W/WASHER	4		
3	A0653002	SEAL, OIL	1		
4	S804080010	O-RING (S)	1		
5	A0862070	BEARING, BALL	1		
6	A1280162	SLEEVE, HYD CIRCUIT	1		280GRP
7	S801062010	O-RING (P)	1		
8	S811072001	RING, SNAP (C)H	1		
9	A1281466	SPACER	1		
10	A1281477	BEARING, BALL	2		
11	S811068001	RING, SNAP (C)H	2		
12	A1281467	SPACER	1		
13	A1281460	GEAR, F/DRV(43T,R)	1		
14	A1281545	SPACER	1		
15	A5000053	RING, SYNCHRONIZER	2		
16	A1281398	SPRING, SYNCHRONIZER	2		
17	A5000102	HUB, SHIFTING	1		
18	A1281399	STRUT, SYNCHRONIZER	3		
19	A1281396	SLEEVE, SHIFT	1		
20	A1281546	SPACER	1		
21	A1281462	GEAR, R/DRV(34T,L)	1		
22	A0869090	BEARING, BALL	2		
23	A1281470	SPACER	1		
24	A1281474	SHAFT, M/DRV	1		
25	A1280051	SEAL, OIL	1		
26	A1281475	BEARING, NEEDLE	1		283GRP
27	A0862060	BEARING, BALL	1		
28	A1287273	CLUTCH ASSY, HYD	1		
29	A1283215	GEAR, PTO M/DRV(36T,R)	1		
30	A0869070	BEARING, BALL	2		
31	A1281471	SPACER	1		283GRP
32	S811055001	RING, SNAP	2		
33	A1283216	SHAFT, PTO M/DRV	1		
34	A1281472	SPACER	1		
35	A0863051H1	BEARING, BALL	1		
36	A1281229	RING, PISTON	1		283GRP
37	A0870501	SHIM	1		
	A0870502	SHIM	1		

# MAIN SHAFT

FIG. 3-5-2

G. 281



# MAIN SHAFT

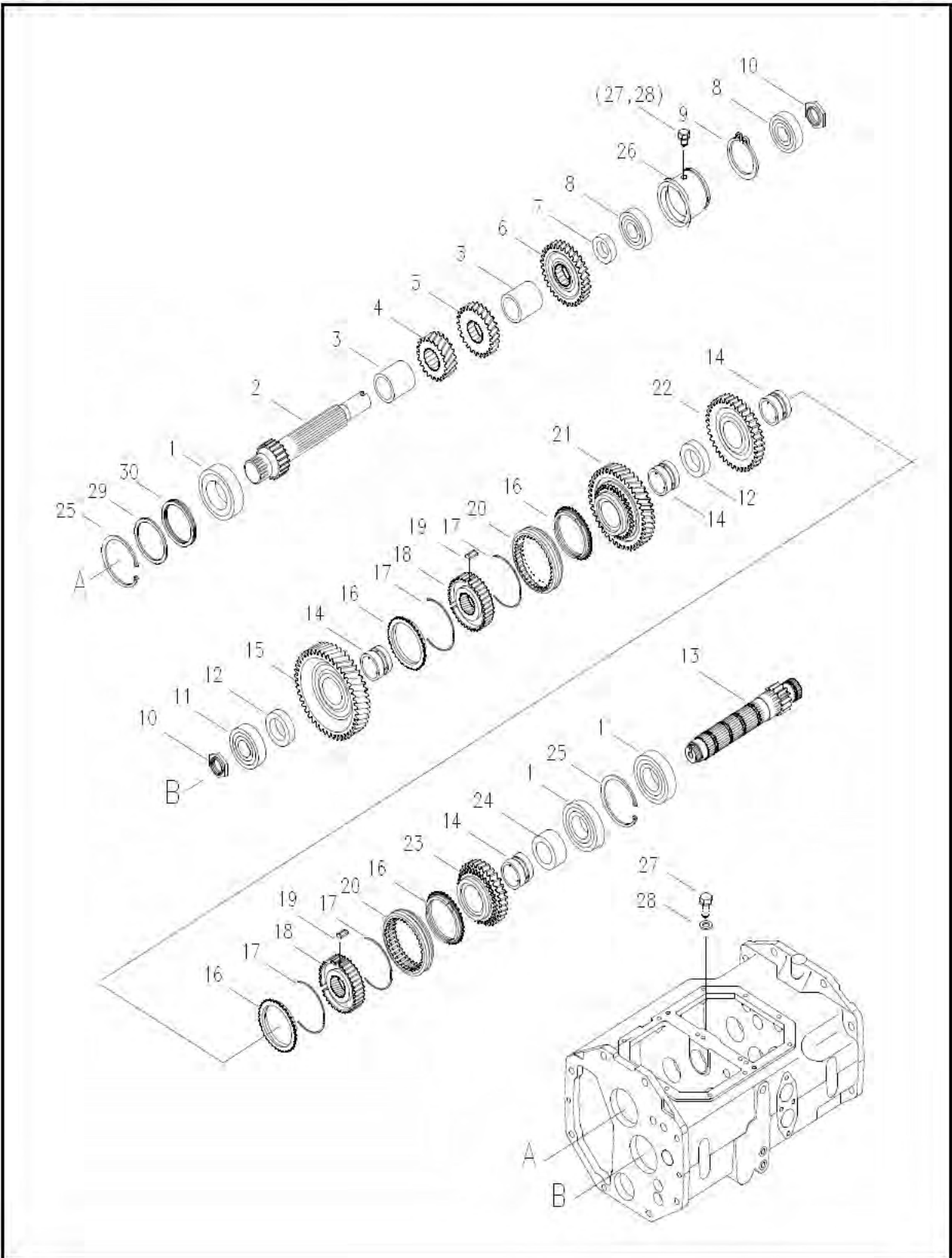
**FIG. 3-5-2**

NO.	PART NO.	PART NAME & DESCRIPTION		QTY	APP. NO	REM.
1	S811072001	RING, SNAP	D72x2.5	2		
2	S801062010	O-RING	P62(D62xW5.7)	1		
3	A1281155	CAP, O-RING	D72	1		
4	A1281034	NUT, LOCK	M25x1.5	1		
5	A0863050H1	BEARING, BALL	#6305HL1(D62xd25x17)	1		
6	A1281454	GEAR, F/DRVN(30T,L)		1		
7	A1281463	SPACER	OD42xID30x44	1		
8	A1281453	GEAR, R/DRVN(25T,L)		1		
9	A1281464	SPACER	OD42xID30x22.5	1		
10	A1285084	BEARING, TAPER	#32006XJ(OD55xID30x17)	2		283GRP
11-13	A1283198	GEAR ASSY, PTO DRVN		1		
11	S810070001	RING, SNAP	D70x2.5t	1		
12	A1283130	GEAR, PTO 2ND DRV		1		
13	A1283195	GEAR, PTO M/DRVN		1		
14	A0863060	BEARING, BALL	#6306(OD72xID30x19)	1		
15	A1281459	SHAFT, COUNTER SHU.		1		
16	3A1281015	COLLAR	OD72xID60x2.3t	1		
17	A1281223	SLEEVE		1		
18	S801024010	O-RING	P24(D24xW3.5)	1		
19	S405061610	KEY, SUNK PAR	B6xH6x16L	2		
20	A1281476	SHAFT, B/IDLE		1		
21	A1281205	WASHER, THRUST	OD42xID28x22	2		
22	A1281456	GEAR, REAR IDLE	24T,R	1		
23	A1281186	BEARING, NEEDLE	OD33xID28x17	2		
24	S810028001	RING, SNAP	D28x1.5t	1		
25	S154102033	BOLT, HEX, W/WASHER	M10x1.25x20L	1		
26	A1280052	STOPPER, B/IDLE SHAFT		1		
27	A0870501	SHIM	OD71xID56x0.15t	1		
	A0870502	SHIM	OD71xID56x0.2t	1		
	A0870505	SHIM	OD71xID56x0.5t	1		
	A0870508	SHIM	OD72xID60x1.0t	1		

# MAIN GEAR SHAFT

FIG. 3-6

G. 281



# MAIN GEAR SHAFT

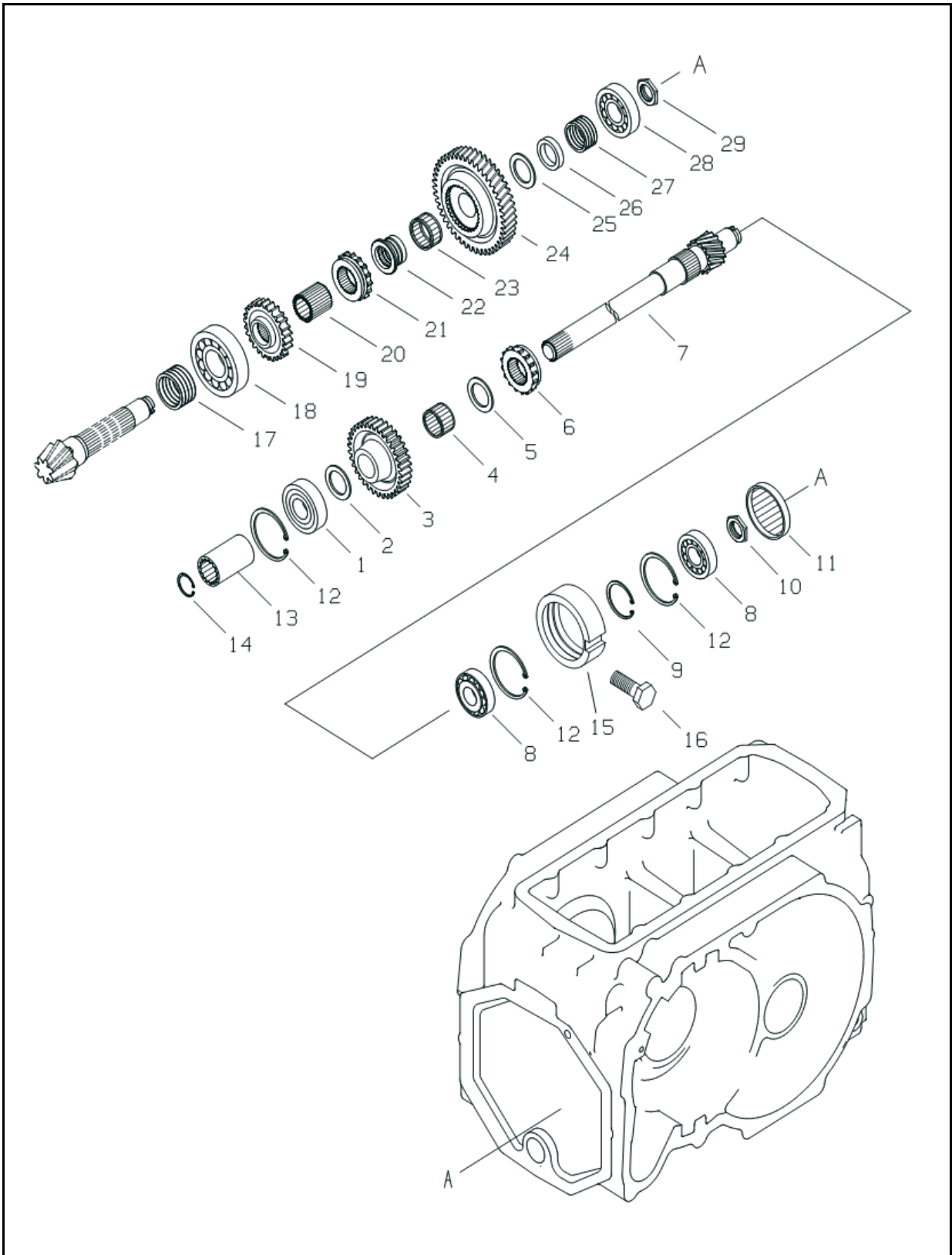
**FIG. 3-6**

NO.	PART NO.	PART NAME & DESCRIPTION		QTY	APP. NO	REM.
1	A0862070	BEARING, BALL	#6207(OD72xID35x17)	3		
2	A1281501	SHAFT, SHUTTLE DRV		1		
3	A1281152	SPACER	OD42.7xID33.5x44.5	2		
4	A1281141	GEAR, 2ND DRV	21T,L	1		
5	A1281143	GEAR, 3RD DRV	25T,L	1		
6	A1281145	GEAR, 4TH DRV	31T,L	1		
7	A1281497	SPACER	OD40xID25.5x8.5	1		
8	A1281230	BEARING, TAPER ROLLER	#32005XJ(OD47xID25x15)	2		
9	S810055001	RING, SNAP (C)H	D50.8x2t	1		
10	A1281034	NUT, LOCK	M25x1.5	2		
11	A0863064H1	BEARING, BALL	#6306DDHL1(D72xd30x19)	1		
12	A1281158	SPACER	OD50xID33x12	2		
13	A1281487	SHAFT, MAIN DRVN		1		
14	A1281081	SLEEVE, GEAR		4		
15	A1281176	GEAR, 1ST DRN	46T,R	1		
16	A1281354	RING, SYNCHRONIZER		4		
17	3A1281021	SPRING		4		
18	A1281384	HUB, SHIFT(F-R)		2		
19	3A1281020	PIECE		6		
20	A1281361	SLEEVE, SHIFT		2		
21	A1281142	GEAR, 2ND DRVN	42T,R	1		
22	A1281144	GEAR, 3RD DRV	37T,R	1		
23	A1281146	GEAR, 4TH DRV	31T,R	1		
24	A1281500	SPACER, T/M SHAFT	D50xd33x14.3	1		
25	S811072001	RING, SNAP	D72x2.5t	2		
26	A1281498	HOLDER, BEARING		1		
27	A1281499	BOLT, STOPPER	M10x1.25x20L	1		
28	S361100013	WASHER, SPRING	OD18.4xID10.2x2.5T	1		
29	3A1281015	COLLAR	OD72XID60X2.3t	1		
30	A0870501	SHIM	OD71XID56X0.15t	1		
	A0870502	SHIM	OD71XID56X0.2t	1		

# RANGE GEAR SHAFT

FIG. 3-7

G. 285





# RANGE GEAR SHAFT

**FIG. 3-7**

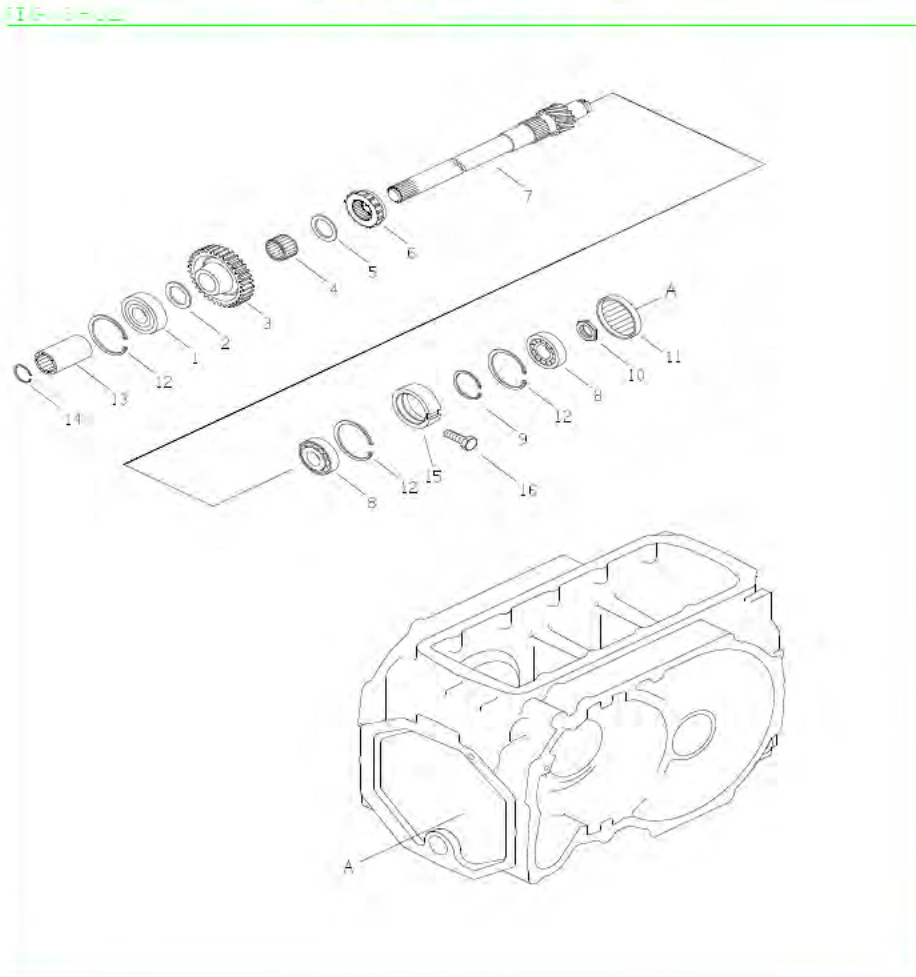
NO.	PART NO.	PART NAME & DESCRIPTION	QTY	APP. NO	REM.
1	A0863060H1	BEARING, BALL	#6306HL1(D72xd30x19)	1	
2	A1285083	WASHER, THRUST	OD54xID30x3t	1	
3	A1285162	GEAR, HIGH DRIVE	42T	1	
4	A1281274	BEARING, NEEDLE	D40xD35x27L	1	
5	A1285082	WASHER, THRUST	OD50xID35x3t	1	
6	A1285086	SELECTOR		1	
7	A1285191	SHAFT, SUB DRIVE	14T,R	1	
8	A1285084	BEARING, TAPER ROLLER	#32006XJ(OD55xID30x17)	2	
9	S811055001	RING, SNAP (C)H	D55X2T	1	
10	A1281034	NUT, LOCK	M25x1.5	1	
11	3A1281014	CAP, RUBBER	D72	1	280GRP
12	S811072001	RING, SNAP (C)H	D72x2.5t	3	
13	A1281228	SLEEVE		1	
14	S811028001	RING, SNAP	D28x1.2t	1	
15	A1285192	SUPPORT, BEARING		1	
16	S154103033	BOLT, HEX, W/WASHER	M10x1.25x30L	1	
17	A0870461	SHIM	OD51xID41x0.15t	3	
	A0870462	SHIM	OD51xID41x0.2t	2	
	A0870465	SHIM	OD51xID41x0.5t	2	
	A0870468	SHIM	OD51xID41x1.0t	1	
18	A1285168	BEARING, TAPER ROLLER	#30308DJ(HL)	1	
19	A1285161	GEAR, HIGH DRIVEN	32T	1	
20	A1285165	SLEEVE		1	
21	A1285195	SELECTOR		1	
22	A1281046	SLEEVE		1	
23	3A1970157	BEARING, NEEDLE	#404527(OD45xID40x27)	1	
24	A1285194	GEAR, LOWER DRIVEN	46T,L	1	
25	A1285083	WASHER, THRUST	OD54xID30x3t	1	
26	A1285026	SPACER	D30x40x5	1	
27	A0870431	SHIM	OD39xID31x0.15t	2	
	A0870432	SHIM	OD39xID31x0.2t	2	
	A0870435	SHIM	OD39xID31x0.5t	2	
	A0870438	SHIM	OD39xID31x1.0t	1	
28	A26800340	BEARING, TAPER ROLLER	#30306C(OD72xID30x20.75)	1	
29	A1281034	NUT, LOCK	M25x1.5	1	

# RANGE GEAR SHAFT

FIG. 3-7

G. 285

무변속 축  
RANGE GEAR SHAFT 285



# RANGE GEAR SHAFT

**FIG. 3-7**

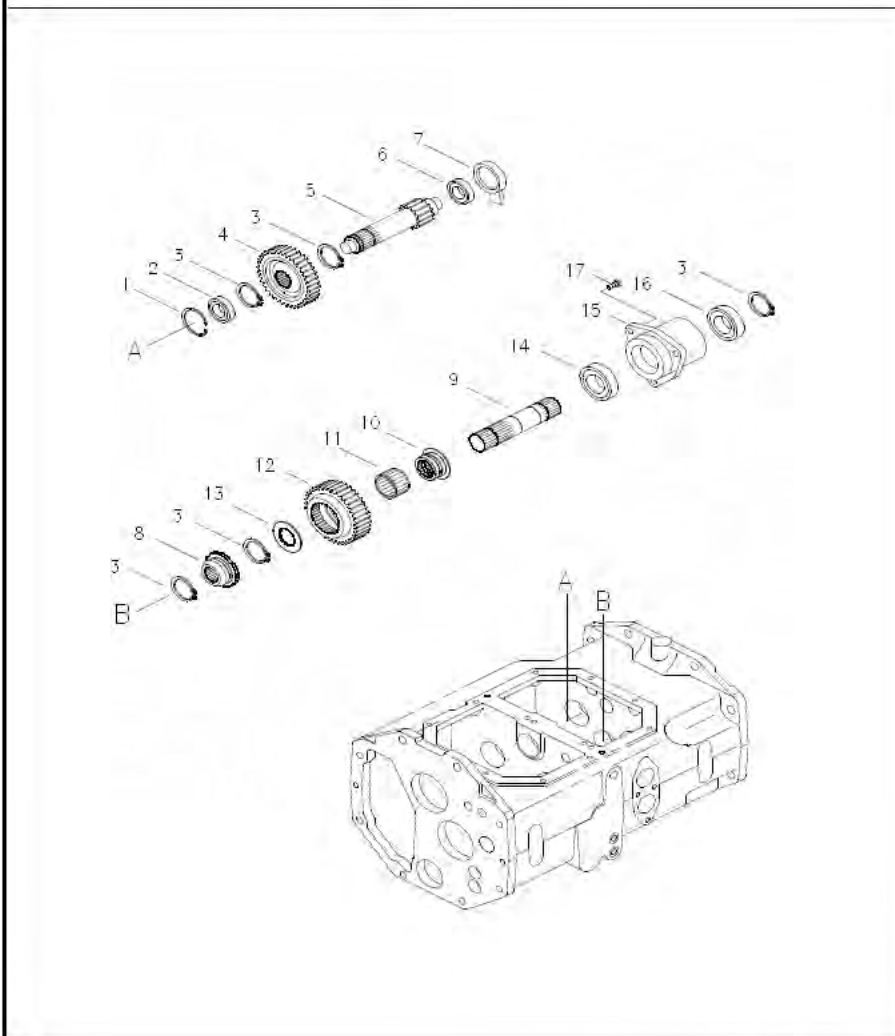
NO.	PART NO.	PART NAME & DESCRIPTION		QTY	APP. NO	REM.
1	A0863060H1	BEARING, BALL	#6306HL1(D72xd30x19)	1		
2	A1285083	WASHER, THRUST	OD54xID30x3t	1		
3	A1285162	GEAR, HIGH DRIVE	42T	1		
4	A1281274	BEARING, NEEDLE	D40xD35x27L	1		
5	A1285082	WASHER, THRUST	OD50xID35x3t	1		
6	A1285086	SELECTOR		1		
7	A1285191	SHAFT, SUB DRIVE	14T,R	1		
8	A1285084	BEARING, TAPER ROLLER	#32006XJ(OD55xID30x17)	2		
9	S811055001	RING, SNAP (C)H	D55X2T	1		
10	A1281034	NUT, LOCK	M25x1.5	1		
11	3A1281014	CAP, RUBBER	D72	1		280GRP
12	S811072001	RING, SNAP (C)H	D72x2.5t	3		
13	A1281228	SLEEVE		1		
14	S811028001	RING, SNAP	D28x1.2t	1		
15	A1285192	SUPPORT, BEARING		1		
16	S154103033	BOLT, HEX, W/WASHER	M10x1.25x30L	1		

# CREEPER SHAFT

FIG. 3-8

G. 285

초저속 축  
CREEPER SHAFT (285)



02-01-01

SCALE: 1/8 00

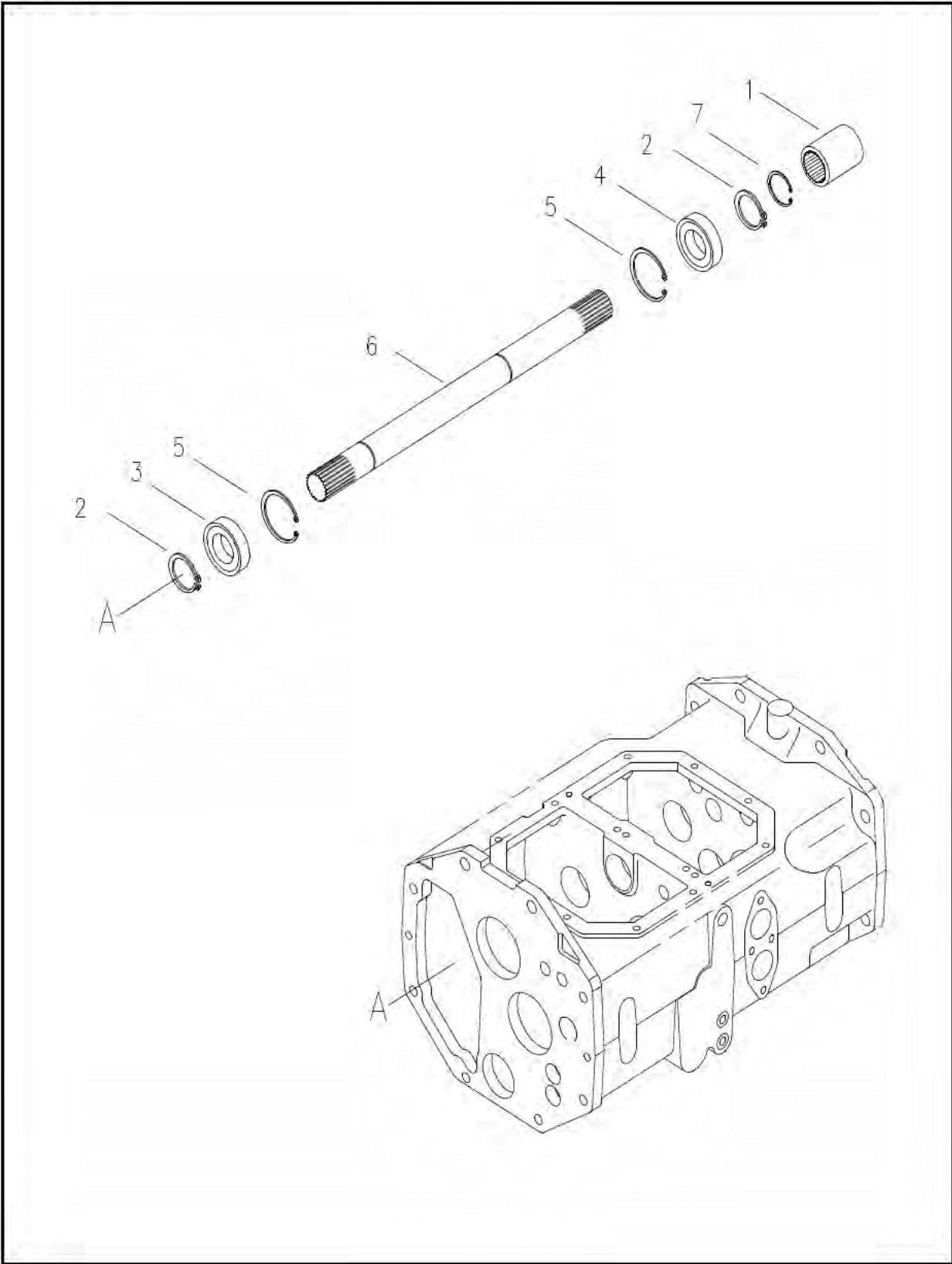
# CREEPER SHAFT

**FIG. 3-8**

NO.	PART NO.	PART NAME & DESCRIPTION		QTY	APP. NO	REM.
1	S811052001	RING, SNAP	Φ56.2x2t	1		
2	A0862050	BEARING, BALL	#6205(D52xd25x15)	1		
3	S810030001	RING, SNAP	D30x1.5t	5		285G-4,281G-1
4	A1285157	GEAR, CREEPER 1ST	38t	1		
5	A1285158	SHAFT, W/CREEPER GEAR	14t	1		
6	A1285164	BEARING, ROLLER	#NJ2205ET(D52xd25x18)	1		
7	A1285142	CAP, O-RING	D52	1		
8	A1285129	SELECTOR, CREEPER		1		
9	A1285167	SHAFT, CREEPER DRN		1		
10	A1281508	SLEEVE, GEAR		1		
11	3A1970157	BEARING, NEEDLE	#404527(OD45xID40x27)	1		
12	A1285159	GEAR, CREEPER 2ND	38t	1		
13	A1281509	WASHER, THRUST	OD54xID30x3t	1		
14	A1285163	BEARING, ROLLER	#NJ306ET(D72xd30x19)	1		
15	A1285135	HOLDER, BEARING		1		
16	A0862061	BEARING, BALL	#6206(D62xd30x16)	1		
17	S154103033	BOLT, HEX. W/WASHER	M10x1.25x30L	3		

# PTO SHAFT

FIG. 3-9



# PTO SHAFT

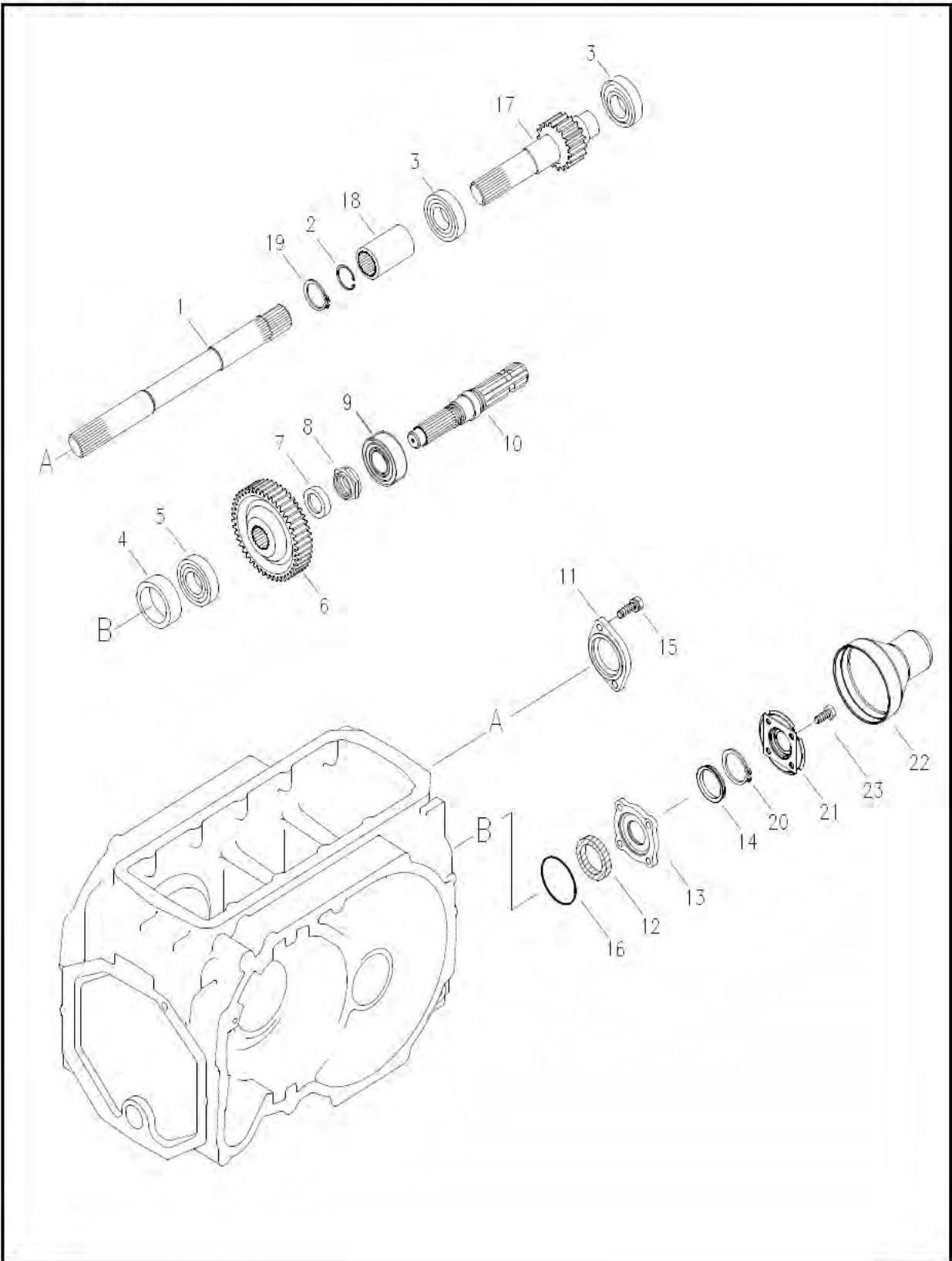
**FIG. 3-9**

NO.	PART NO.	PART NAME & DESCRIPTION		QTY	APP. NO	REM.
1	A1281228	SLEEVE, JOINT		1		287GRP
2	S810030001	RING, SNAP	D30x1.2t	2		287GRP
3	A0869060	BEARING, BALL	#6906(OD47xID30x9)	1		
4	A0869061	BEARING, BALL	#6906Z	1		
5	S811047001	RING, SNAP	D47x1.75t	2		
6	A1283186	SHAFT, PTO		1		
7	S811028001	RING, SNAP	D28x1.2t	1		

# PTO DRIVE SHAFT

FIG. 3-10A

G. 287





# PTO DRIVE SHAFT

**FIG. 3-10A DO**

NO.	PART NO.	PART NAME & DESCRIPTION	QTY	APP. NO	REM.
1	A1287254	SHAFT, PTO CONNECTING	1		
2	S811028001	RING, SNAP	1		
3	A0863060	BEARING, BALL	2		
4	A1287082	SPACER, PTO SHAFT	1		
5	A0863060H1	BEARING, BALL	1		
6	A1287077	GEAR, PTO DRIVEN	1		
7	A1287081	SPACER, PTO SHAFT	1		
8	A1287106	NUT, LOCK	1		
9	A0862070H1	BEARING, SELF ALIGN	1		
10	A1287253	SHAFT, PTO	1		
11	A1280042	COVER, PTO DRV/GEAR	1		
12	A1287211	SEAL, OIL	1		
13	A1280114	COVER, PTO SHAFT	1		
14	A0653232	SEAL, DUST	1		
15	S154102533	BOLT, HEX W/WASHER	2		
16	S804070010	O-RING(S)	1		
17	A1287261	SHAFT, PTO DRIVE	1		
18	A1281228	SLEEVE, JOINT	1		
19	S810030001	RING, SNAP	1		
20	S810036001	RING, SNAP	1		
21	A1280184	GUIDE, PTO COVER	1		
22	A05171520	COVER, SAFETY	1		
23	S154103533	BOLT, HEX W/WASHER	4		

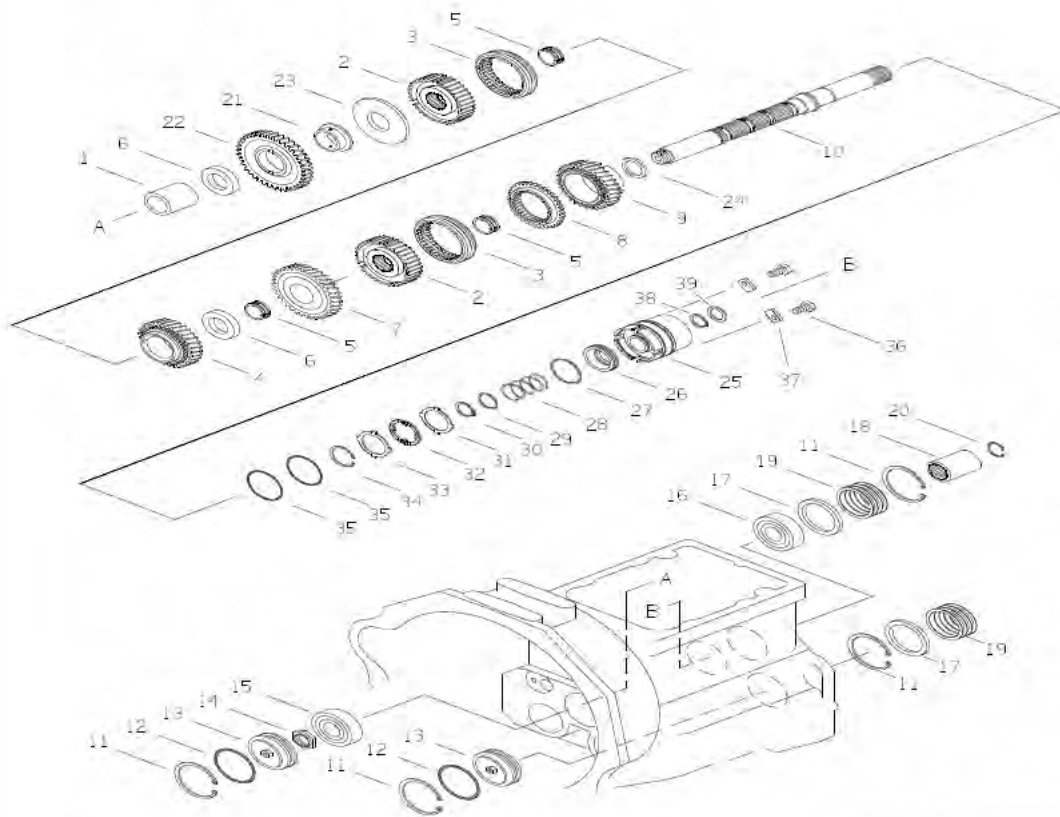
# PTO BRAKE

FIG. 3-11

G. 283

피티오 브레이크  
PTO BRAKE(283)

FIG. 3-9



04-11-01

00

# PTO BRAKE

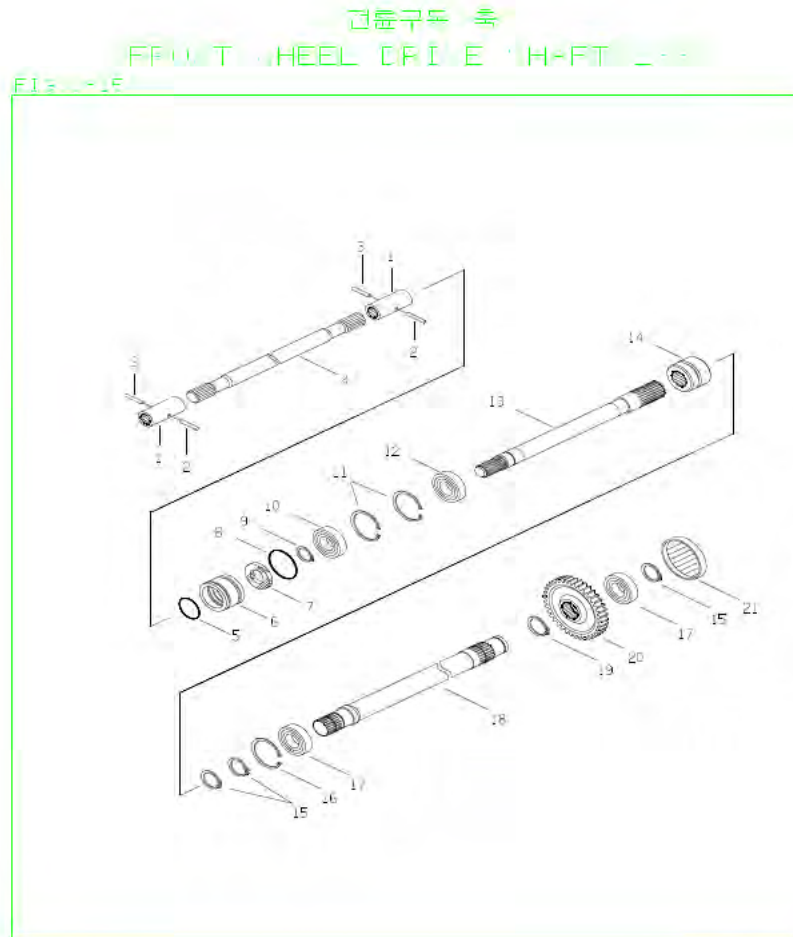
**FIG. 3-11**

NO.	PART NO.	PART NAME & DESCRIPTION		QTY	APP. NO	REM.
1	A1281463	SPACER	OD40xID30x44	1		
2	A1281384	HUB, SHIFT(F-R)		2		
3	A1281361	SLEEVE, SHIFT		2		
4	A1283183	GEAR, PTO 2ND DRVN	32T,R	1		
5	A1281081	SLEEVE, GEAR		3		
6	A1281158	SPACER	OD50xID33x12	2		
7	A1283182	GEAR, PTO 1ST DRVN	36T,R	1		
8-9	A1283166	GEAR ASSY, PTO 3RD DRVN		1		
8	A1281348	GEAR, W/SYNCHRO MESH		1		
9	A1283165	GEAR, PTO 3RD DRVN	26T,R	1		
10	A1283178	SHAFT, PTO DRVN		1		
11	S811072001	RING, SNAP	D72x2.5t	4		281G-1,283G-3
12	S801062010	O-RING(P)	P62(D62xW5.7)	2		
13	A1281155	CAP, O-RING	D72	2		281G-1,283G-1
14	A1281034	NUT, LOCK	M25x1.5	1		
15	A0863060	BEARING, BALL	#6306(OD72xID30x19)	1		
16	A0863061	BEARING, BALL		1		
17	3A1281015	COLLAR	OD72XID60X2.3t	2		281G-1,283G-1
18	A1281228	SLEEVE, JOINT		1		
19	A0870501	SHIM	OD71xID56x0.15t	1		
	A0870502	SHIM	OD71xID56x0.2t	1		
	A0870505	SHIM	OD71xID56x0.5t	1		
	A0870508	SHIM	OD72xID60x1.0t	1		
20	S811028001	RING, SNAP	D28x1.2t	1		
21	A1281457	SLEEVE, LUBRI. GEAR		1		
22	A1281448	GEAR, LUBRI.		1		
23	A1281458	SPACER	OD84xID33x12	1		
24	A1283176	SPACER	D49xd32.9x3.5	1		
25-35	A1283167	HYD BRAKE ASSY		1		
25	A1283168	HOUSING, HYD BRAKE		1		
26	A1283173	RING, PISTON		1		
27	A1283169	PISTON, BRAKE		1		
28	A1283175	SPRING, BRAKE	Φ3.5	1		
29	A1283174	PLATE, SPR/BRAKE		1		
30	S810042001	RING, SNAP	Φ38.5x1.75t	1		
31	A1283171	PLATE, PRESSURE	2t	1		
32	A1283170	DISC, BRAKE		1		
33	A1283172	PLATE, PRESSURE	3.1t	1		
34	A1283177	RING, SNAP	Φ85x2t	1		
35	S804085010	O-RING	Φ84.5xW2.0	1		
36	S154102533	BOLT		2		
37	A1280052	STOPPER, B/IDLE SHAFT		2		
38	S810030001	RING, SNAP	D28x1.2t	1		
39	A1283180	SPACER	OD84xID33x12	1		

# FRONT WHEEL DRIVE SHAFT

FIG. 3-12

G. 288



# FRONT WHEEL DRIVE SHAFT

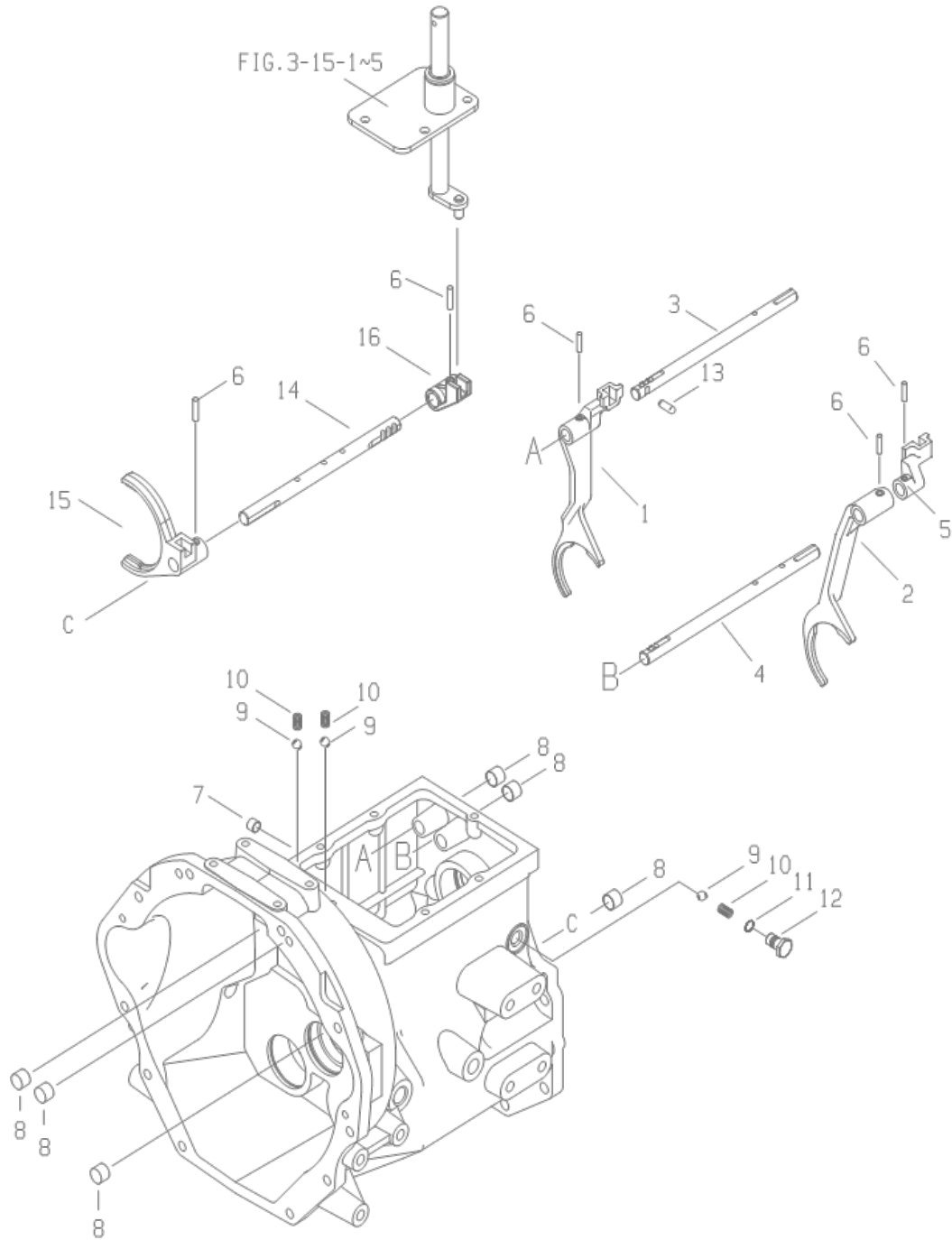
**FIG. 3-12**

NO.	PART NO.	PART NAME & DESCRIPTION	QTY	APP. NO	REM.
1-3	A1288044	4WD JOINT ASSY	2		
1	A1288028	JOINT, 4WD	2		
2	S446053210	PIN, SPRING	2		
3	S446033210	PIN, SPRING	2		
4	A1288072	SHAFT, 4WD FRONT	1		
5	S802040010	O-RING	1		
6	A1288036	HOUSING, SEAL	1		
7	A0651253	SEAL, OIL	1		
8	S801046010	O-RING(P)	1		
9	S810025001	RING, SNAP	1		
10	A0862050	BEARING, BALL	1		
11	S811052001	RING, SNAP(C) H	2		
12	A0862051	BEARING, BALL	1		
13	A1288042	SHAFT, 4WD MIDDLE	1		
14	A1288034	SLEEVE, 4WD SELECT	1		
15	S810030001	RING, SNAP	3		
16	S811062001	RING, SNAP(C) H	1		
17	A0862060H1	BEARING, BALL	2		
18	A1288092	SHAFT, 4WD REAR	1		
19	S810032001	RING, SNAP	1		
20	A1288073	GEAR, 4WD	1		
21	A1283016	CAP, RUBBER	1		280GRP

# SHIFT FORK

FIG. 3-13

G. 290,291



# SHIFT FORK

**FIG. 3-13**

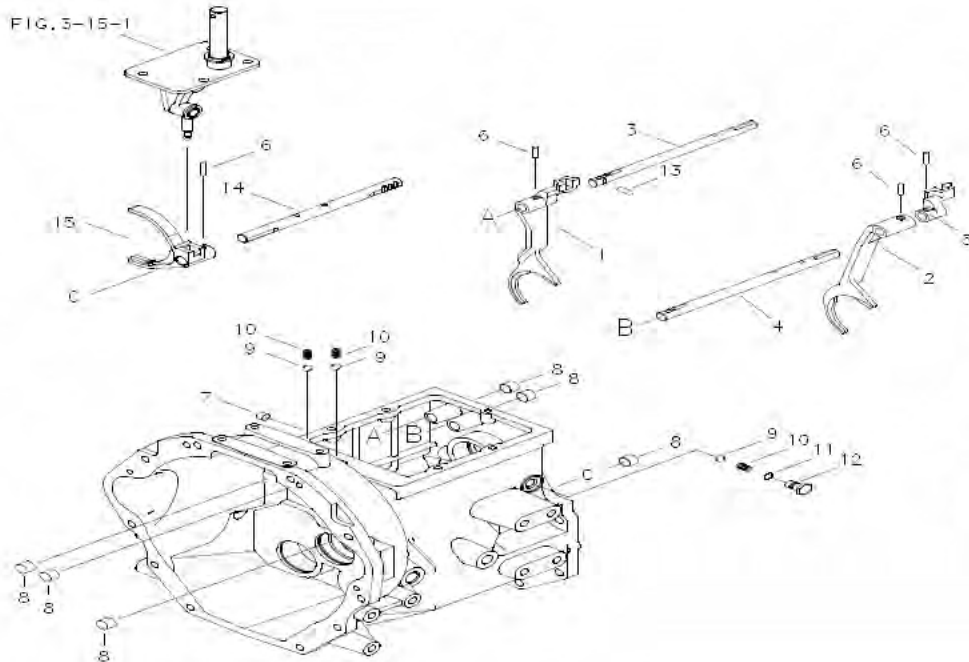
NO.	PART NO.	PART NAME & DESCRIPTION	QTY	APP. NO	REM.
1	A1291111	FORK, PTO(1, 3)	1		
2	A1291112	FORK, PTO(2)	1		
3	A1291115	RAIL, PTO(1, 3)	1		
4	A1291116	RAIL, PTO(2)	1		
5	A1290072	ADAPTER, LH	1		
6	S446062510	PIN, SPRING W-TY	5		293GRP
7	3A1250009	PLUG	1		
8	3A1290009	CAP, RAIL	6		
9	A20063390	BALL, SHIFT FORK	3		
10	3A1290011	SPRING	3		
11	S801015010	O-RING	1		
12	A1291119	BOLT, F-R SHIFT	1		
13	3A1290010	PIN	1		
14	A1291172	RAIL, F-R	1		
15	A1291171	FORK, F-R	1		
16	A1291302	ADAPTER, F-R	1		

# SHIFT FORK

FIG. 3-13

G. 290,291

변속 포크  
SHIFT FORK (290, 291)



2-01-01

SCALE: 1/8 00



# SHIFT FORK

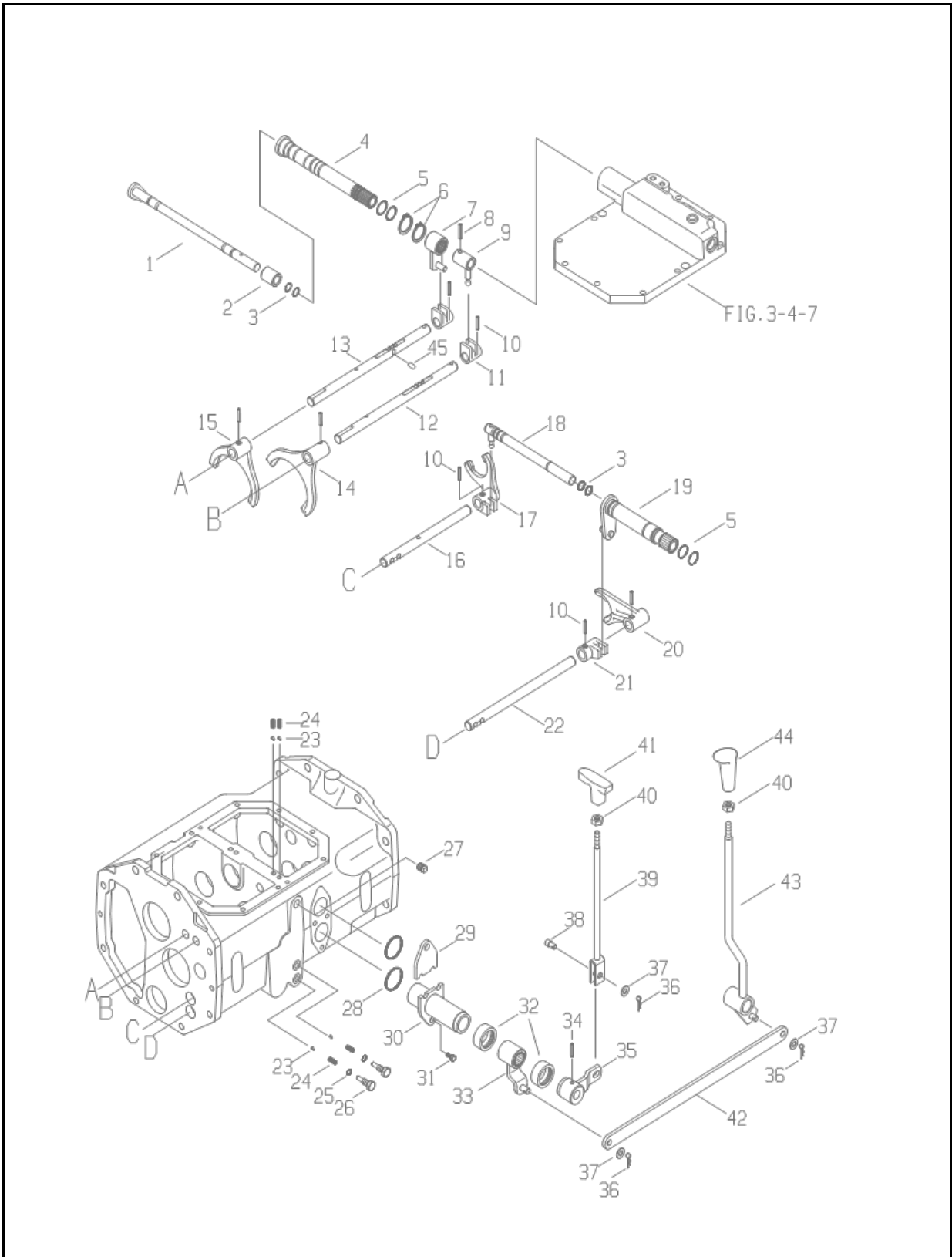
**FIG. 3-13**

NO.	PART NO.	PART NAME & DESCRIPTION		QTY	APP. NO	REM.
1	A1291111	FORK, PTO(1, 3)		1		
2	A1291112	FORK, PTO(2)		1		
3	A1291115	RAIL, PTO(1, 3)		1		
4	A1291116	RAIL, PTO(2)		1		
5	A1290072	ADAPTER, LH		1		
6	S446062510	PIN, SPRING W-TY	D6x25L	4		293GRP
7	3A1250009	PLUG	D12	1		
8	3A1290009	CAP, RAIL	D12	6		
9	A20063390	BALL, SHIFT FORK	11/32	3		
10	3A1290011	SPRING		3		
11	S801015010	O-RING	P15(D15xW2.4)	1		
12	A1291119	BOLT, F-R SHIFT		1		
13	3A1290010	PIN	D8.75x26.5L	1		
14	A1291172	RAIL, F-R		1		
15	A1291171	FORK, F-R		1		

# SHIFT LEVER

FIG. 3-14

G. 290,291



# SHIFT LEVER

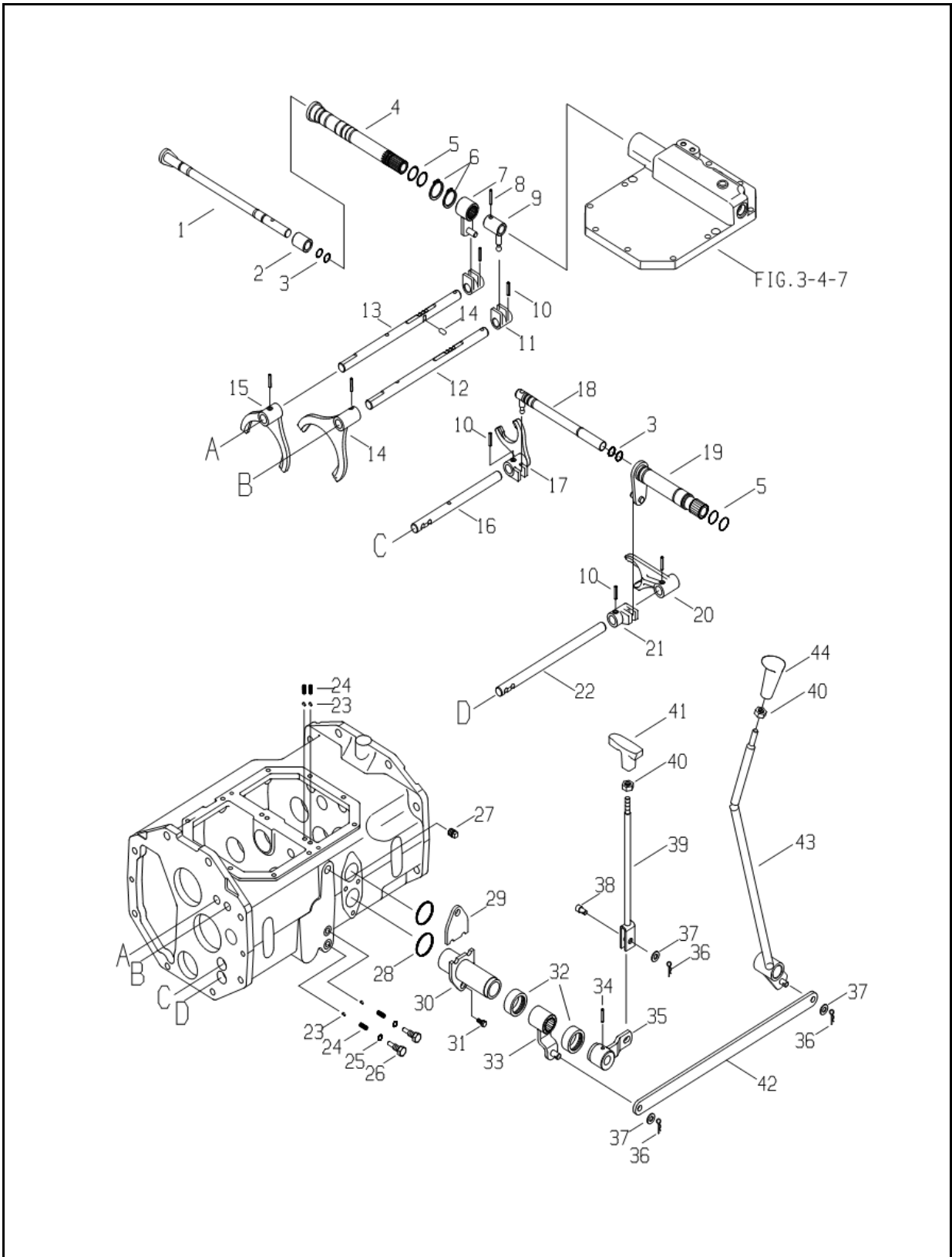
**FIG. 3-14**

NO.	PART NO.	PART NAME & DESCRIPTION	QTY	APP. NO	REM.
1	A1292171	SHAFT, M/CHANGE-1,2 ARM	1		
2	A1292179	SPACER	1		
3	S801012010	O-RING	4		
4	A1292172	SHAFT, M/CHANGE-3,4 ARM	1		
5	S801022010	O-RING	4		
6	S810025001	RING, SNAP	2		
7	A1292170	ARM, MAIN CHANGE-3,4	1		
8	S446063212	PIN, SPRING	1		
9	A1292169	ARM, MAIN CHANGE-1,2	1		
10	S446062510	PIN, SPRING	7		
11	A1291053	ADAPTER	2		
12	A1290082	RAIL, MAIN(1, 2)	1		
13	A1290083	RAIL, MIAN(3, 4)	1		
14	A1290084	FORK, MAIN(1, 2)	1		
15	A1290085	FORK, MAIN(3, 4)	1		
16	A1291137	RAIL, CREEPER	1		
17	A1291103	FORK, CREEPER	1		
18	A1291105	LEVER, CREEPER	1		
19	A1291106	LEVER, 4WD	1		
20	A1291104	FORK, 4WD	1		
21	A1291120	ADAPTER, 4WD	1		
22	A1291138	RAIL, 4WD	1		
23	A20063390	BALL, SHIFT FORK	4		
24	3A1290011	SPRING	4		
25	S801010A10	O-RING(P)	2		
26	A1293032	BOLT, 4WD SHIFT	2		
27	3A1970052	PLUG, TAPER	1		
28	S804036010	O-RING(S)	2		
29	A1291180	COVER	1		
30	A1291109	BOSS, 4WD & CREEPER	1		
31	S154102033	BOLT, HEX. W/WASHER	4		
32	A1292109	COVER, RUBBER	2		
33	A1291108	ARM, 4WD	1		
34	S446063512	PIN, SPRING	2		
35	A1291107	ARM, CREEPER	1		
36	S443100013	PIN, SNAP	3		
37	S363100013	WASHER, PLAIN	3		
38	S427102013	PIN, HEAD B-TY	1		
39	A1293116	HAND LEVER, CREEPER	1		
40	S301080013	NUT, HEX	1		
41	A1293101	KNOB, CREEPER	1		
42	A1293148	LINK, 4WD	1		
43	A1293200	HAND LEVER, 4WD	1		
44	A1970251	GRIP, 4WD	1		
45	A1290091	PIN	1		

# SHIFT LEVER

FIG. 3-14

G. 290,291



# SHIFT LEVER

**FIG. 3-14**

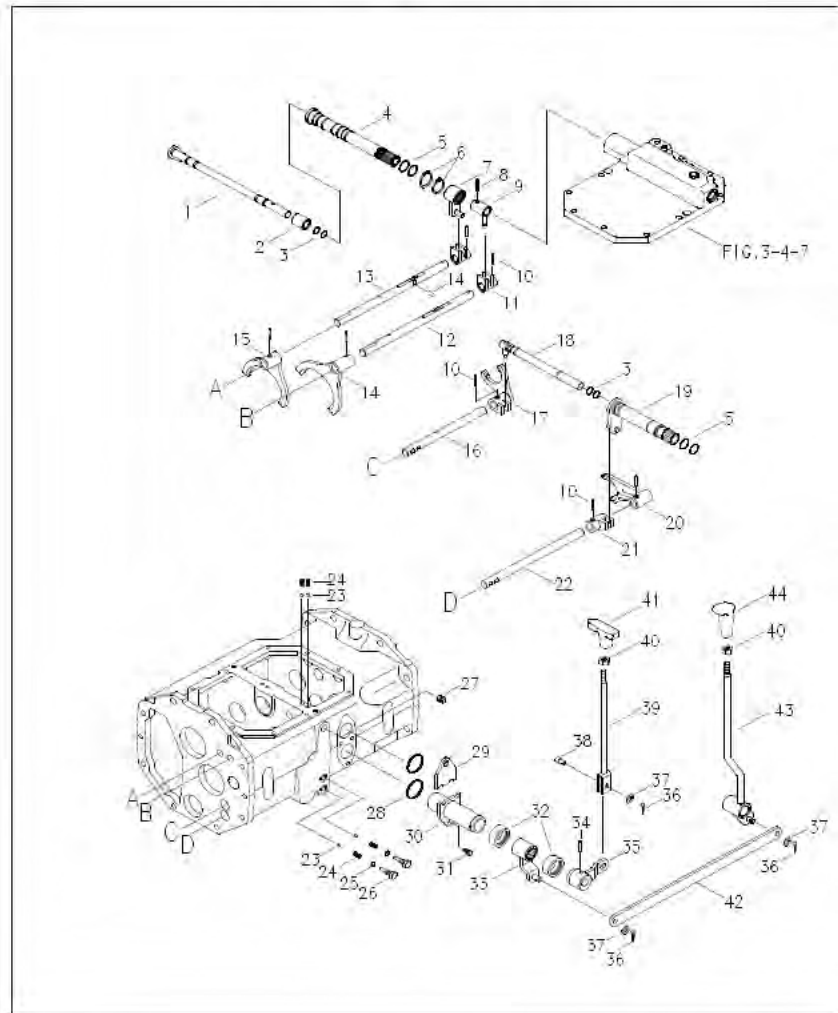
NO.	PART NO.	PART NAME & DESCRIPTION	QTY	APP. NO	REM.
1	A1292171	SHAFT, M/CHANGE-1,2 ARM	1		
2	A1292179	SPACER	1		
3	S801012010	O-RING	4		
4	A1292172	SHAFT, M/CHANGE-3,4 ARM	1		
5	S801022010	O-RING	4		
6	S810025001	RING, SNAP	2		
7	A1292170	ARM, MAIN CHANGE-3,4	1		
8	S446063212	PIN, SPRING	1		
9	A1292169	ARM, MAIN CHANGE-1,2	1		
10	S446062510	PIN, SPRING	7		
11	A1291053	ADAPTER	2		
12	A1290082	RAIL, MAIN(1, 2)	1		
13	A1290083	RAIL, MIAN(3, 4)	1		
14	A1290084	FORK, MAIN(1, 2)	1		
15	A1290085	FORK, MAIN(3, 4)	1		
16	A1291137	RAIL, CREEPER	1		
17	A1291103	FORK, CREEPER	1		
18	A1291105	LEVER, CREEPER	1		
19	A1291106	LEVER, 4WD	1		
20	A1291104	FORK, 4WD	1		
21	A1291120	ADAPTER, 4WD	1		
22	A1291138	RAIL, 4WD	1		
23	A20063390	BALL, SHIFT FORK	4		
24	3A1290011	SPRING	4		
25	S801010A10	O-RING(P)	2		
26	A1293032	BOLT, 4WD SHIFT	2		
27	3A1970052	PLUG, TAPER	1		
28	S804036010	O-RING(S)	2		
29	A1291180	COVER	1		
30	A1291109	BOSS, 4WD & CREEPER	1		
31	S154102033	BOLT, HEX. W/WASHER	4		
32	A1292109	COVER, RUBBER	2		
33	A1291108	ARM, 4WD	1		
34	S446063512	PIN, SPRING	2		
35	A1291107	ARM, CREEPER	1		
36	S443100013	PIN, SNAP	3		
37	S363100013	WASHER, PLAIN	3		
38	S427102013	PIN, HEAD B-TY	1		
39	A1293116	HAND LEVER, CREEPER	1		
40	S301080013	NUT, HEX	1		
41	A1293101	KNOB, CREEPER	1		
42	A1293148	LINK, 4WD	1		
43	A1293200	HAND LEVER, 4WD	1		
44	A1970251	GRIP, 4WD	1		

# SHIFT LEVER

FIG. 3-14

G. 290,291

변속 레버  
CHANGE LEVER (290,291)



02-01-01

SCALE: 1/8 00

# SHIFT LEVER

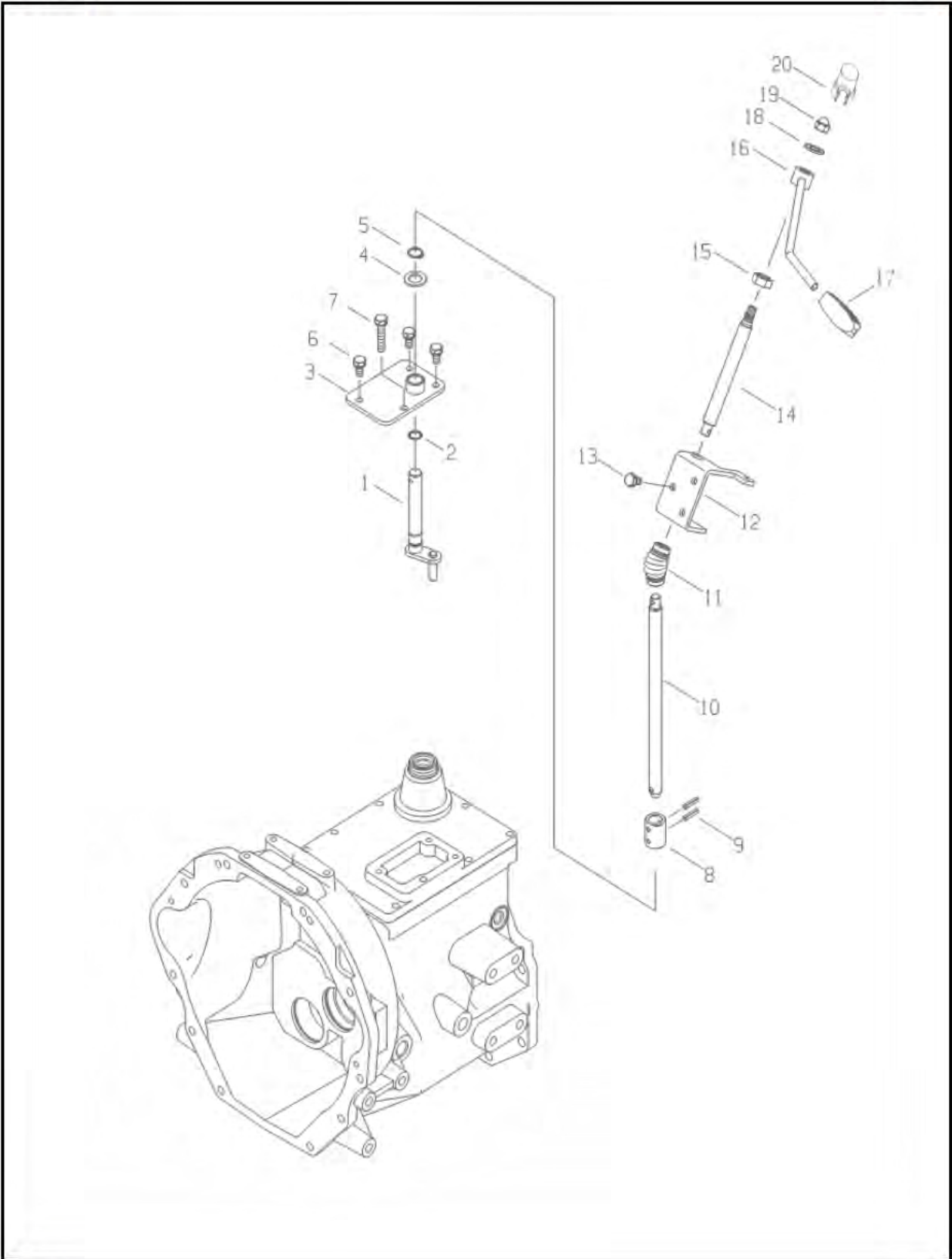
**FIG. 3-14**

NO.	PART NO.	PART NAME & DESCRIPTION	QTY	APP. NO	REM.
1	A1292171	SHAFT, M/CHANGE-1, 2 ARM	1		
2	A1292179	SPACER	1		
3	S801012010	O-RING	4		
4	A1292172	SHAFT, M/CHANGE-3, 4 ARM	1		
5	S801022010	O-RING	4		
6	S810025001	RING, SNAP	2		
7	A1292170	ARM, MAIN CHANGE-3, 4	1		
8	S446063212	PIN, SPRING	1		
9	A1292169	ARM, MAIN CHANGE-1, 2	1		
10	S446062510	PIN, SPRING	7		
11	A1291053	ADAPTER	2		
12	A1290082	RAIL, MAIN(1, 2)	1		
13	A1290083	RAIL, MIAN(3, 4)	1		
14	A1290084	FORK, MAIN(1, 2)	1		
15	A1290085	FORK, MAIN(3, 4)	1		
16	A1291137	RAIL, CREEPER	1		
17	A1291103	FORK, CREEPER	1		
18	A1291105	LEVER, CREEPER	1		
19	A1291106	LEVER, 4WD	1		
20	A1291104	FORK, 4WD	1		
21	A1291120	ADAPTER, 4WD	1		
22	A1291138	RAIL, 4WD	1		
23	A20063390	BALL, SHIFT FORK	4		
24	3A1290011	SPRING	4		
25	S801010A10	O-RING(P)	2		
26	A1293032	BOLT, 4WD SHIFT	2		
27	3A1970052	PLUG, TAPER	1		
28	S804036010	O-RING(S)	2		
29	A1291180	COVER	1		
30	A1291109	BOSS, 4WD & CREEPER	1		
31	S154102033	BOLT, HEX. W/WASHER	4		
32	A1292109	COVER, RUBBER	2		
33	A1291108	ARM, 4WD	1		
34	S446063512	PIN, SPRING	2		
35	A1291107	ARM, CREEPER	1		
36	S443100013	PIN, SNAP	3		
37	S363100013	WASHER, PLAIN	3		
38	S427102013	PIN, HEAD B-TY	1		
39	A1293116	HAND LEVER, CREEPER	1		
40	S301080013	NUT, HEX	1		
41	A1293101	KNOB, CREEPER	1		
42	A1293148	LINK, 4WD	1		
43	A1292188	HAND LEVER ASSY, SUB CHANGE	1		
44	A1970252	GRIP, SUB CHANGE	1		
45	A1290091	PIN	1		

# F-R SHIFT LEVER

FIG. 3-15

G. 291





# F-R SHIFT LEVER

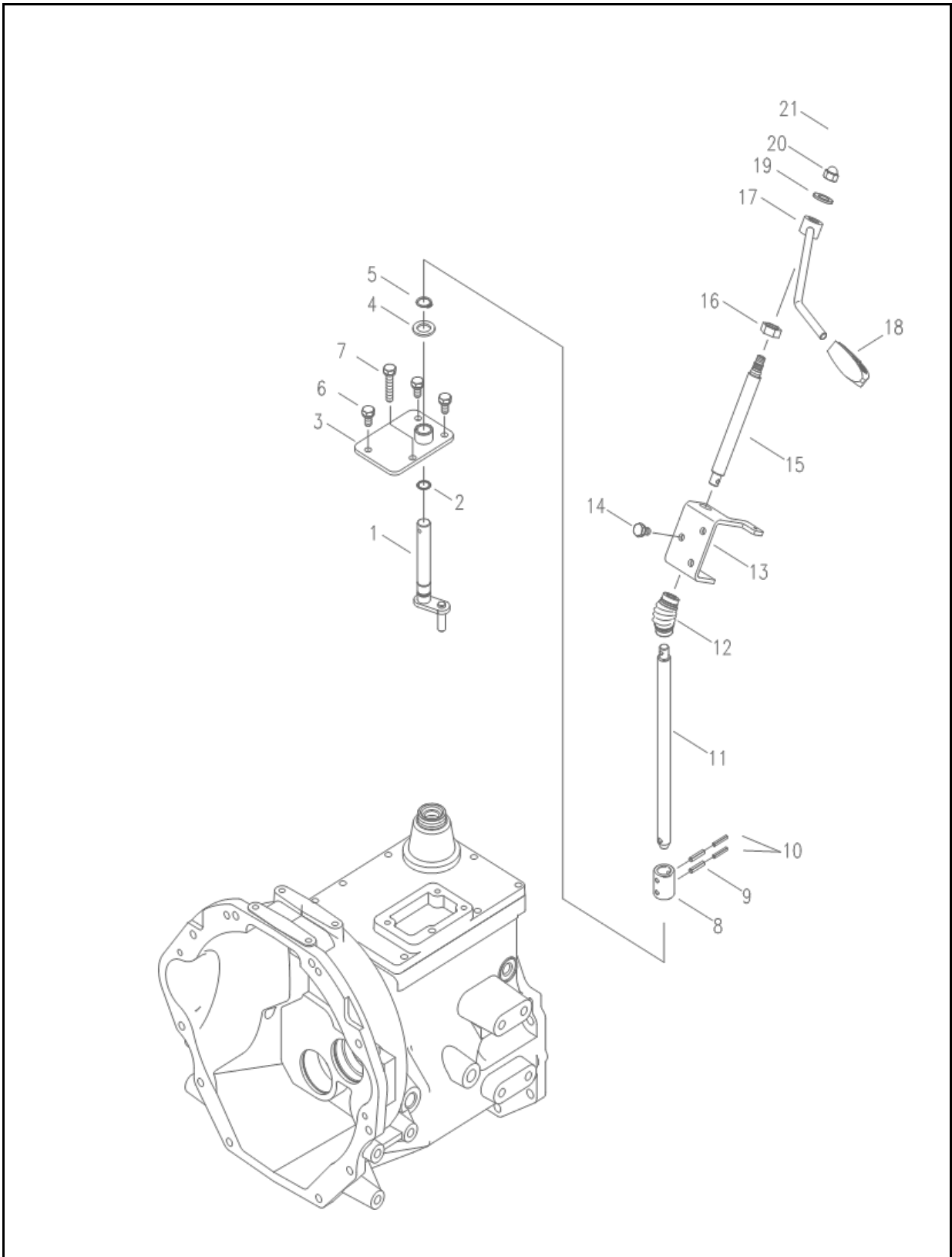
**FIG. 3-15**

NO.	PART NO.	PART NAME & DESCRIPTION		QTY	APP. NO	REM.
1-4	A1291299	LEVER A'SSY, F-R		1		
1	A1291300	LEVER SHAFT, F-R		1		
2	S801016010	O-RING(P)	P16	1		
3	A1291301	COVER, SHUTTLE SHIFT		1		
4	S363200013	WASHER, PLN. S-RD	OD34xID21x3t	1		
5	S810020001	RING, SNAP	D20	2		
6	S154102033	BOLT, HEX. W/WASHER	M10x1.25x29L	3		
7	S154105535	BOLT, HEX. W/WASHER	M10x1.25x55L	1		
8	A1292146	JOINT		1		
9	S446063210	PIN, SPR. W-TY.	D6x32L	2		
10	A1291242	JOINT SHAFT, F-R		1		
11	A73B0010	JOINT, UNIVERSAL		1		
12	A1292166	BRACKET SHUTTLE SHIFT SHAFT		1		
13	S159082033	BOLT, HEX. W/WASHER	M8x1.25x20L	3		
14	A1292167	SHAFT, SHUTTLE SHIFT		1		
15	S316200013	NUT, HEX. S. 3-TY.	M12X1.5	1		
16	A1291100	HAND LEVER, F-R		1		
17	A1970354	KNOB, F-R CHANGE		1		
18	S363120013	WASHER, PLN. S-RD	D21xd13x2.5t	1		
19	S338120013	NUT, CAP. 3-TY.	M12x1.25	1		
20	A1970390	CAP, F-R LEVER		1		

# F-R SHIFT LEVER

FIG. 3-15

G. 291



# F-R SHIFT LEVER

**FIG. 3-15**

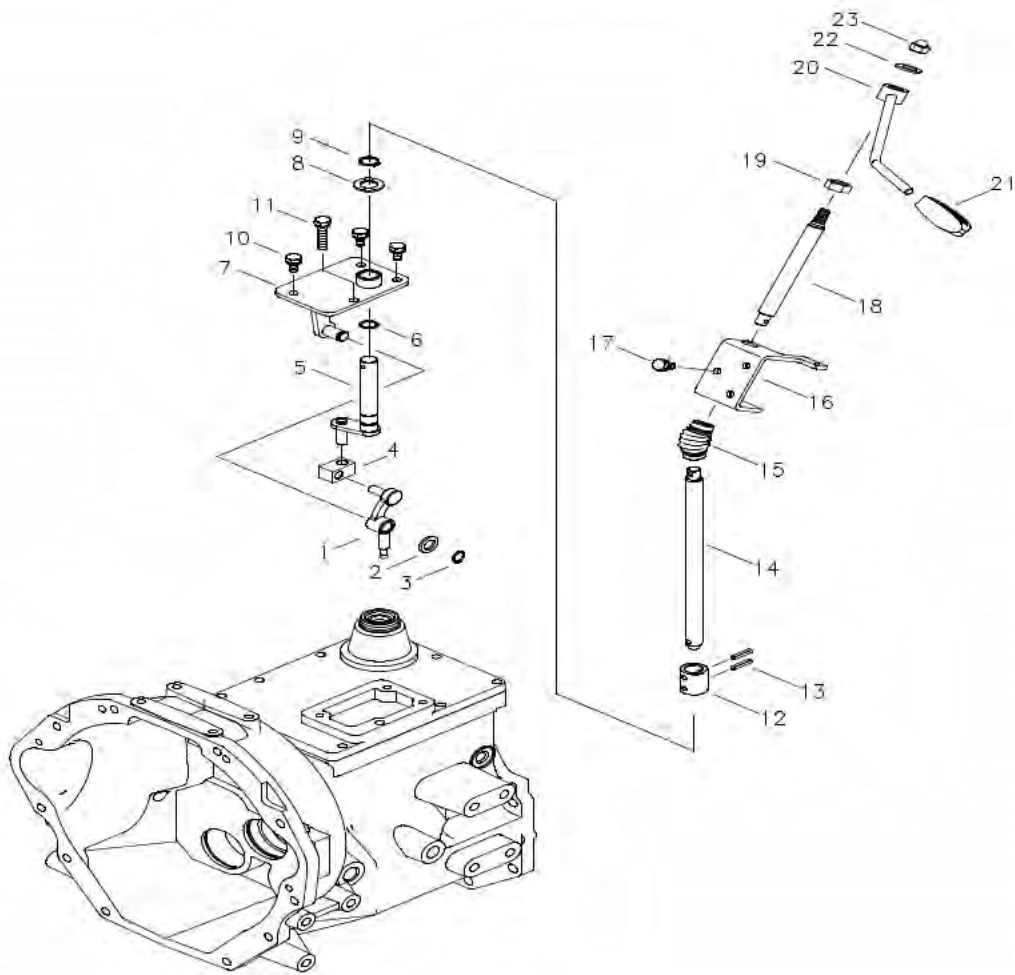
NO.	PART NO.	PART NAME & DESCRIPTION		QTY	APP. NO	REM.
1-5	A1291299	LEVER A'SSY, F-R		1		
1	A1291300	LEVER SHAFT, F-R		1		
2	S801016010	O-RING(P)	P16	1		
3	A1291301	COVER, SHUTTLE SHIFT		1		
4	S363200013	WASHER, PLN. S-RD	OD34xID21x3t	1		
5	S810020001	RING, SNAP	D20	2		
6	S154102033	BOLT, HEX. W/WASHER	M10x1.25x29L	3		
7	S154105535	BOLT, HEX. W/WASHER	M10x1.25x55L	1		
8	A1292146	JOINT		1		
9	S446063210	PIN, SPR. W-TY.	D6x32L	2		
10	A0621026	PIN, SPR. W-TY.	D3.5x35L	2		
11	A1291242	JOINT SHAFT, F-R		1		
12	A73B0010	JOINT, UNIVERSAL		1		
13	A1292166	BRACKET SHUTTLE SHIFT SHAFT		1		
14	S159082033	BOLT, HEX. W/WASHER	M8x1.25x20L	3		
15	A1292167	SHAFT, SHUTTLE SHIFT		1		
16	S316200013	NUT, HEX. S. 3-TY.	M12X1.5	1		
17	A1291100	HAND LEVER, F-R		1		
18	A1970354	KNOB, F-R CHANGE		1		
19	S363120013	WASHER, PLN. S-RD	D21xd13x2.5t	1		
20	S338120013	NUT, CAP. 3-TY.	M12x1.25	1		
21	A1970390	CAP, F-R LEVER		1		

# F-R SHIFT LEVER

FIG. 3-15

G. 291

전후진 레버  
F-R CHANGE LEVER (291)



# F-R SHIFT LEVER

**FIG. 3-15**

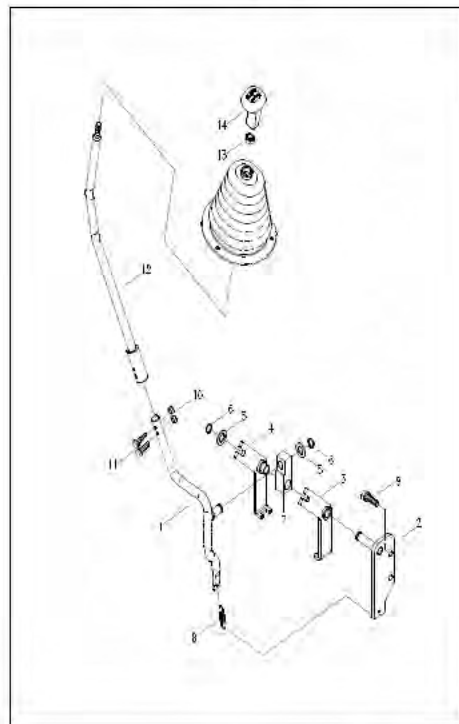
NO.	PART NO.	PART NAME & DESCRIPTION	QTY	APP. NO	REM.
1-9	A1291243	LEVER A'SSY, F-R	1		
1	A1291244	ARM, SHUTTLE SHIFT	1		
2	S363160013	WASHER, PLN. S-RD	1		
3	S810016001	RING, SNAP	1		
4	A1291246	GUIDE SHUTTLE SHIFT	1		
5	A1291247	LEVER SHAFT, F-R	1		
6	S801016010	O-RING(P)	1		
7	A1291245	COVER, SHUTTLE SHIFT	1		
8	S363200013	WASHER, PLN. S-RD	1		
9	S810020001	RING, SNAP	1		
10	S154102033	BOLT, HEX. W/WASHER	3		
11	S154105535	BOLT, HEX. W/WASHER	1		
12	A1292146	JOINT	1		
13	S446063210	PIN, SPR. W-TY.	2		
14	A1291242	JOINT SHAFT, F-R	1		
15	A73B0010	JOINT, UNIVERSAL	1		
16	A1292166	BRACKET SHUTTLE SHIFT SHAFT	1		
17	S159082033	BOLT, HEX. W/WASHER	3		
18	A1292167	SHAFT, SHUTTLE SHIFT	1		
19	S316200013	NUT, HEX. S. 3-TY.	1		
20	A1291100	HAND LEVER, F-R	1		
21	A1970354	KNOB, F-R CHANGE	1		
22	S363120013	WASHER, PLN. S-RD	1		
23	S338120013	NUT, CAP. 3-TY.	1		

# MAIN GEAR LEVER

FIG. 3-16

G. 292

주변속 레버  
MAIN CHANGE LEVER(293)



02-01-01

SCALE: 1/8 00

# MAIN GEAR LEVER

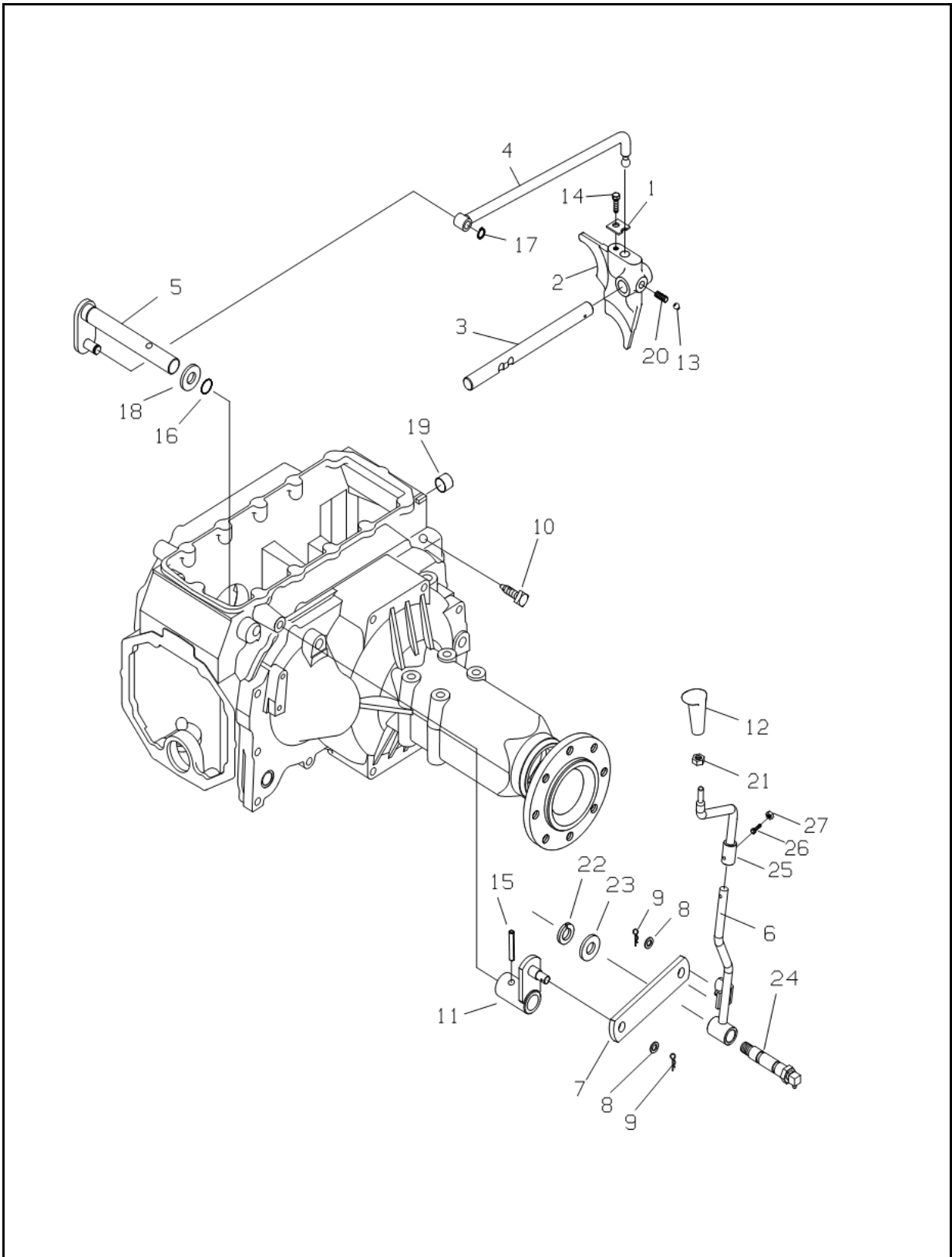
**FIG. 3-16**

NO.	PART NO.	PART NAME & DESCRIPTION		QTY	APP. NO	REM.
1-8	A1292176	MAIN CHANGE LEVER ASSY		1		
1	A1292178	HANDLEVER, M/CHANGE BOTTOM		1		
2	A1292173	BRACKET, MAIN CHANGE		1		
3	A1292175	LEVER, MAIN CHANGE-3, 4		1		
4	A1292174	LEVER, MAIN CHANGE-1, 2		1		
5	S363160013	WASHER, PLN. S-RD	OD28xID17x3t	2		
6	S810016001	RING, SNAP	D16x1t	2		
7	A1292117	SELECTOR		1		
8	A1292164	SPRING		1		
9	S154103033	BOLT, HEX. W/WASHER	M10x1.25	2		
10	S301080043	NUT, HEX.	M8x1.25	2		
11	S153084033	BOLT, HEX. W/WASHER	M8x1.25x40L	2		
12	A1292185	HANDLEVER, M/CHANGE TOP		1		
13	S301120043	NUT, HEX. 1-TY	M12X1.75	1		
14	A1970334	GRIP, MAIN CHANGE		1		

# RANGE GEAR LEVER

FIG. 3-17

G. 292





# RANGE GEAR LEVER

FIG. 3-17

NO.	PART NO.	PART NAME & DESCRIPTION		QTY	APP. NO	REM.
1	A1292020	HOLDER, SHAFT LINK		1		291GRP
2	A1292086	FORK, SUB T/M		1		291GRP
3	A1292158	RAIL, SUB T/M		1		291GRP
4	A1292088	ROD, SUB T/M		1		291GRP
5	A1292165	LEVER, SUB T/M INNER		1		291GRP
6-9	A1292260	HAND LEVER ASSY, RANGE		1		293GRP
6	A1292250	HAND LEVER, SUB T/M		1		
7	A1292094	LINK, SUB T/M		1		
8	S363100013	WASHER, PLAIN	OD18xID10.5x2t	2		
9	S443100013	PIN, SNAP	D8x32t	2		
10	A1292091	BOLT, SELF LOCK	M10x1.25	1		291GRP
11	A1292102	ARM, OUTER SUB T/M		1		293GRP
12	A1970252	GRIP, CHANGE		1		293GRP
13	A20063390	BALL, SHIFT FORK	11/32	1		291GRP
14	S153081633	BOLT, HEX	M8x1.25x16L	1		291GRP
15	S446083212	PIN, SPRING	D8.6x32L	1		293GRP
16	S801016010	O-RING	P16(D16xW2.4)	1		291GRP
17	S810010001	RING, SNAP	D10x1t	1		291GRP
18	S363200013	WASHER, PIN, S-RD	Φ34/Φ21x3t	1		
19	3A1290009	CAP, RAIL		1		291GRP
20	3A1290011	SPRING		1		291GRP
21	S314100013	NUT, HEX	M10x1.25	1		293GRP
22	S361200013	WASHER, SPRING	OD33.8xID20.2x5.1t	1		293GRP
23	S363200013	WASHER, PLAIN	OD34xID21x3t	1		293GRP
24	A1293083	SHAFT, LEVER		1		293GRP
25	A1292262	HAND LEVER, RANGE		1		
26	S153063533	BOLT, HEX	M6x1.0x35L	1		
27	S343060043	NUT, HEX	M6x1.0	1		

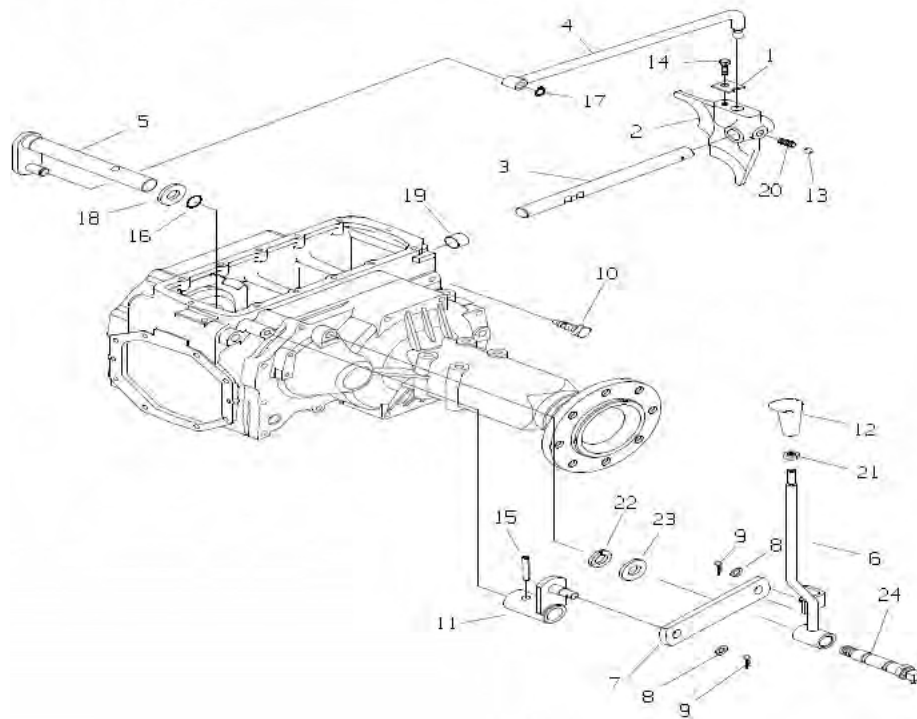
# RANGE GEAR LEVER

FIG. 3-17

G. 292

부변속 레버  
SUB CHANGE LEVER (292)

FIG. 3-19



01-01-03

00

# RANGE GEAR LEVER

FIG. 3-17

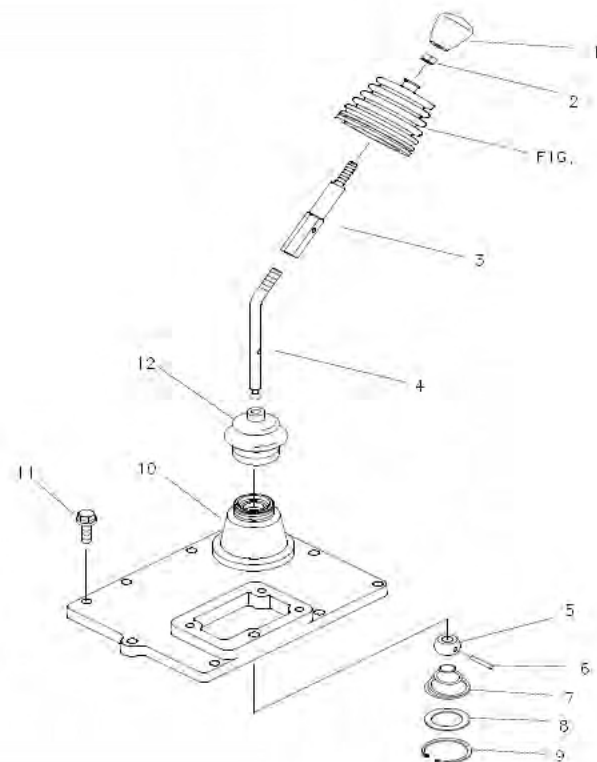
NO.	PART NO.	PART NAME & DESCRIPTION		QTY	APP. NO	REM.
1	A1292020	HOLDER, SHAFT LINK		1		291GRP
2	A1292086	FORK, SUB T/M		1		291GRP
3	A1292158	RAIL, SUB T/M		1		291GRP
4	A1292088	ROD, SUB T/M		1		291GRP
5	A1292165	LEVER, SUB T/M INNER		1		291GRP
6-9	A1292188	HAND LEVER ASSY, RANGE		1		293GRP
6	A1292189	HAND LEVER, SUB T/M		1		
7	A1292094	LINK, SUB T/M		1		
8	S363100013	WASHER, PLAIN	OD18xID10.5x2t	2		
9	S443100013	PIN, SNAP	D8x32t	2		
10	A1292091	BOLT, SELF LOCK	M10x1.25	1		291GRP
11	A1292102	ARM, OUTER SUB T/M		1		293GRP
12	A1970252	GRIP, CHANGE		1		293GRP
13	A20063390	BALL, SHIFT FORK	11/32	1		291GRP
14	S153081633	BOLT, HEX	M8x1.25x16L	1		291GRP
15	S446083212	PIN, SPRING	D8.6x32L	1		293GRP
16	S801016010	O-RING	P16(D16xW2.4)	1		291GRP
17	S810010001	RING, SNAP	D10x1t	1		291GRP
18	S363200013	WASHER, PIN, S-RD	Φ34/Φ21x3t	1		
19	3A1290009	CAP, RAIL		1		291GRP
20	3A1290011	SPRING		1		291GRP
21	S314100013	NUT, HEX	M10x1.25	1		293GRP
22	S361200013	WASHER, SPRING	OD33.8xID20.2x5.1t	1		293GRP
23	S363200013	WASHER, PLAIN	OD34xID21x3t	1		293GRP
24	A1293083	SHAFT, LEVER		1		293GRP

# PTO SHIFT LEVER

FIG. 3-18

G. 293

피티오 변속레버  
PTO CHANGE LEVER



# PTO SHIFT LEVER

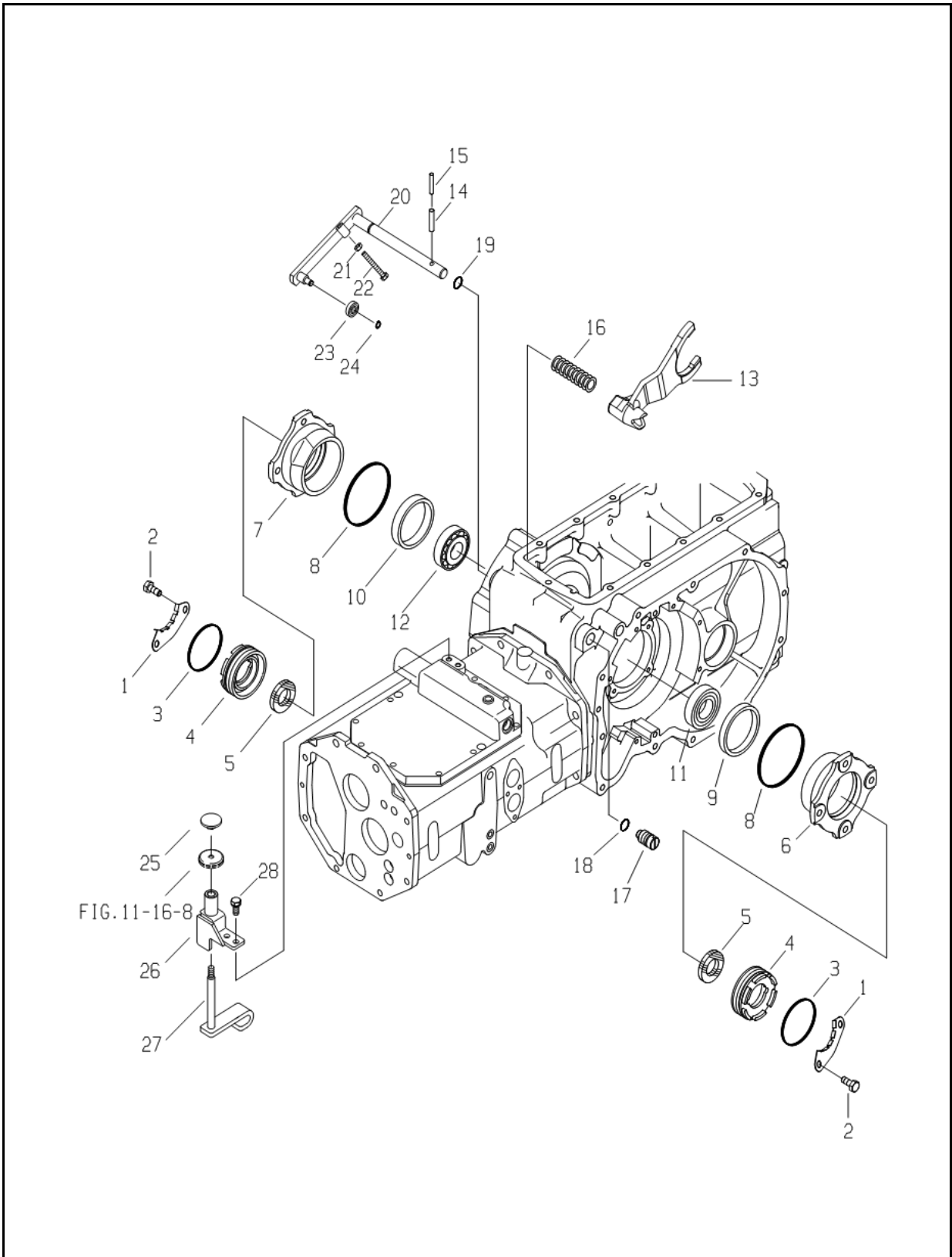
**FIG. 3-18**

NO.	PART NO.	PART NAME & DESCRIPTION	QTY	APP. NO	REM.
1	A1970300	KNOB, HAND LEVER	1		
2	S314100013	NUT, HEX	1		
3	A1291250	LEVER, PTO SHIFT TOP	1		
4~10	A1293157	COVER ASSY, C/HOUSING	1		
4~6	A1291248	LEVER ASS'Y, PTO SHIFT	1		
4	A1291249	LEVER, PTO SHIFT BOTTOM	1		
5	3A1291006	BALL	1		
6	A1290059	PIN, DOWEL	1		
7	3A1291009	SPRING	1		
8	A1291044	WASHER	1		
9	S811052001	RING, SNAP	1		
10	A1293156	COVER, CLUTCH HSG.	1		
11	S154103033	BOLT, HEX. W/WASHER	9		
12	A1293119	COVER, DUST	1		

# DIFF-LOCK

FIG. 4-1

G. 310



# DIFF-LOCK

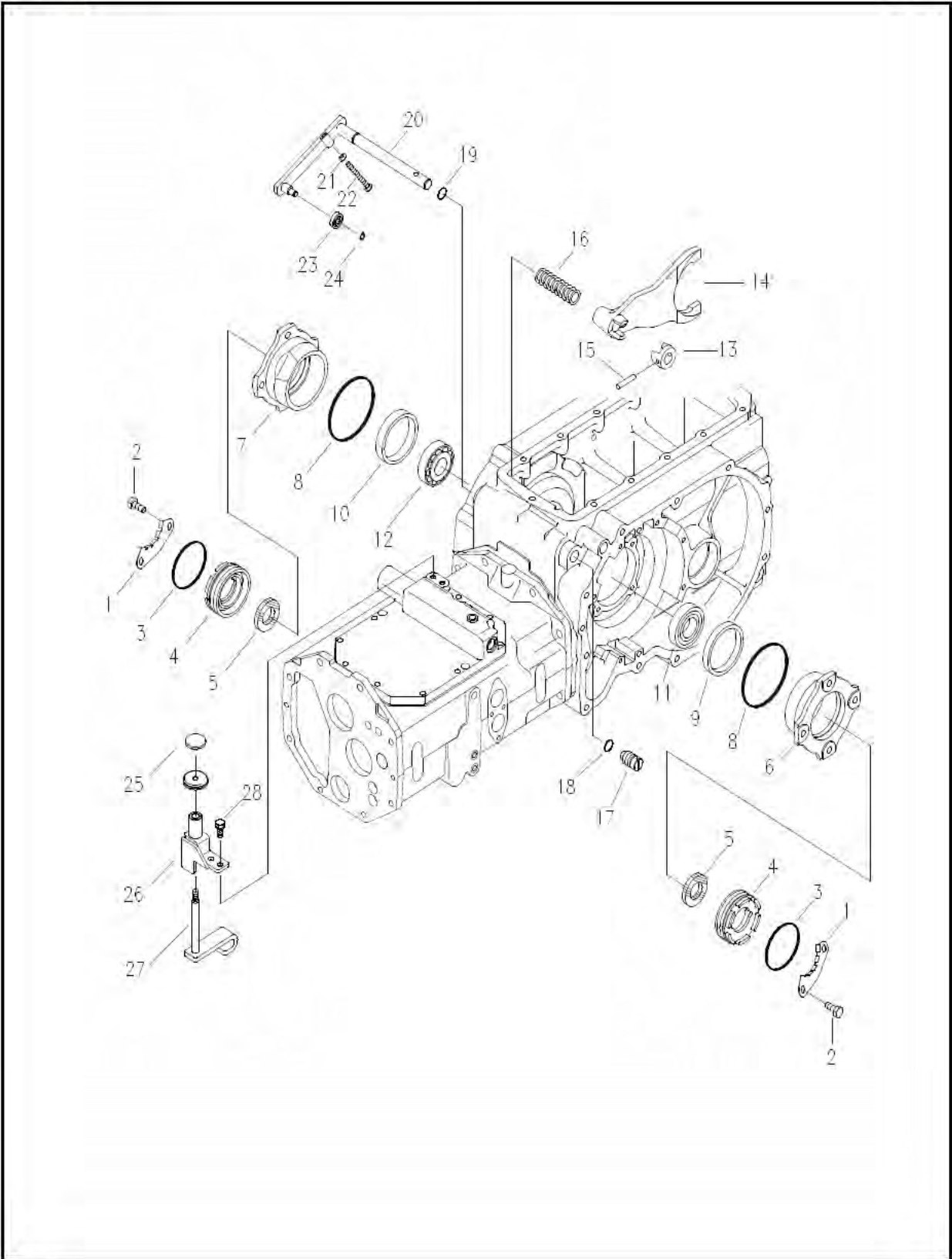
**FIG. 4-1**

NO.	PART NO.	PART NAME & DESCRIPTION		QTY	APP. NO	REM.
1	3A1326007	STRAP	1.0t	4		
2	S165102543	BOLT, HEX SMALL	M10x1.25x25L	8		
3	S802080010	O-RING (G)	G80(D80xW3.1)	2		
4	3A1326005	SCREW		2		
5	A0653004	OIL-SEAL	TC335211(ID33xOD52x11)	2		
6	A1326040	SUPPORT, DIFF(LH)		1		
7	A1326019	SUPPORT, DIFF(RH)		1		
8	S802110010	O-RING (G)	G110(D115xW3.1)	2		
9	A1326041	SPACER, DIFF(LH)	OD89.1xID77.1x12	1		
10	A1326042	SPACER, DIFF(RH)	OD89.1xID77.1x16	1		
11	A0862100	BEARING, BALL	#6210(OD90xID50x20)	1		
12	A26799980	BEARING, TAPER	#30210(OD90xID50x21.75)	1		
13	A1320025	FORK, DIFF LOCK		1		
14	S446084012	PIN, SPRING	D8x40L	1		
15	S446054012	PIN, SPRING	D5x40	1		
16	A1326047	SPRING, DIFF LOCK		1		
17	A1326046	ADJUST SCREW	M22x1.5	1		
18	S801021010	O-RING(P)	P21(D21xW2.4)	1		
19	S801016010	O-RING (P)	P16(D16xW2.4)	1		
20-24	A1326073	DIFF LEVER SHAFT ASS'Y		1		
20	A1326070	SHAFT, DIFF LEVER		1		
21	S305080043	NUT, HEX	M8x1.25	1		
22	S163085043	BOLT, HEX F-THRD	M8x1.25x60L	1		
23	A0860004	BEARING, BALL	#6000DD	1		
24	S810010001	RING, SNAP	D10	1		
25	A1326072	FOOT, DIFF. PEDAL		1		
26	A1326074	BRACKET, DIFF. PEDAL		1		
27	A1326071	PEDAL, DIFF.		1		
28	S154102033	BOLT, HEX. WW/ASHER	M10x1.25x20L	2		
28	S154102033	BOLT, HEX. WW/ASHER	M10x1.25x20L	2		

# DIFF-LOCK

FIG. 4-1

G. 310





# DIFF-LOCK

**FIG. 4-1**

NO.	PART NO.	PART NAME & DESCRIPTION		QTY	APP. NO	REM.
1	3A1326007	STRAP	1.0t	4		
2	S165102543	BOLT, HEX SMALL	M10x1.25x25L	8		
3	S802080010	O-RING (G)	G80(D80xW3.1)	2		
4	3A1326005	SCREW		2		
5	A0653004	OIL-SEAL	TC335211(ID33xOD52x11)	2		
6	A1326040	SUPPORT, DIFF(LH)		1		
7	A1326019	SUPPORT, DIFF(RH)		1		
8	S802110010	O-RING (G)	G110(D115xW3.1)	2		
9	A1326041	SPACER, DIFF(LH)	OD89.1xID77.1x12	1		
10	A1326042	SPACER, DIFF(RH)	OD89.1xID77.1x16	1		
11	A0862100	BEARING, BALL	#6210(OD90xID50x20)	1		
12	A26799980	BEARING, TAPER	#30210(OD90xID50x21.75)	1		
13-14	3A1326013	FORK ASSY, DIFF LOCK		1		
13	3A1326015	ADAPTER		1		
14	2A1326014	FORK, DIFF LOCK		1		
15	S446084012	PIN, SPRING	D8x40L	1		
16	A1326047	SPRING, DIFF LOCK		1		
17	A1326046	ADJUST SCREW	M22x1.5	1		
18	S801021010	O-RING(P)	P21(D21xW2.4)	1		
19	S801016010	O-RING (P)	P16(D16xW2.4)	1		
20-24	A1326073	DIFF LEVER SHAFT ASS'Y		1		
20	A1326070	SHAFT, DIFF LEVER		1		
21	S305080043	NUT, HEX	M8x1.25	1		
22	S163085043	BOLT, HEX F-THRD	M8x1.25x60L	1		
23	A0860004	BEARING, BALL	#6000DD	1		
24	S810010001	RING, SNAP	D10	1		
25	A1326072	FOOT, DIFF. PEDAL		1		
26	A1326074	BRACKET, DIFF. PEDAL		1		
27	A1326071	PEDAL, DIFF.		1		
28	S154102033	BOLT, HEX. WW/ASHER	M10x1.25x20L	2		

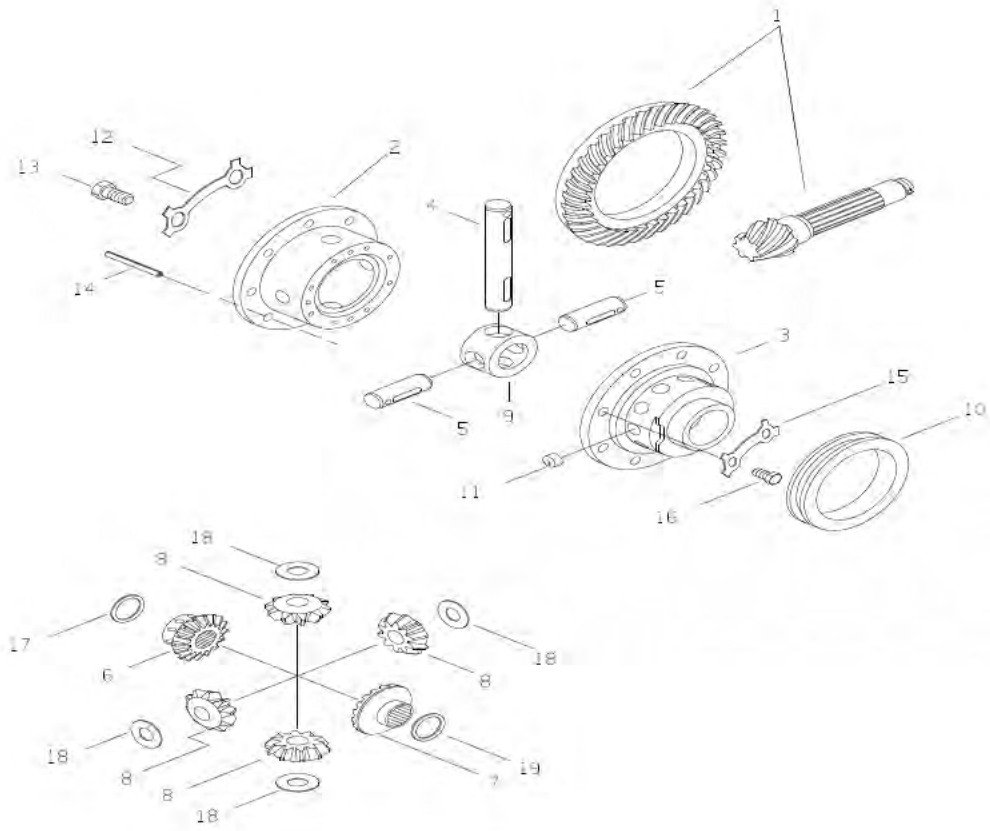
# REAR DIFFERENTIAL

FIG. 4-2

G. 320

## 차동기 REAR DIFFERENTIAL

10-4-2



02-02-01

# REAR DIFFERENTIAL

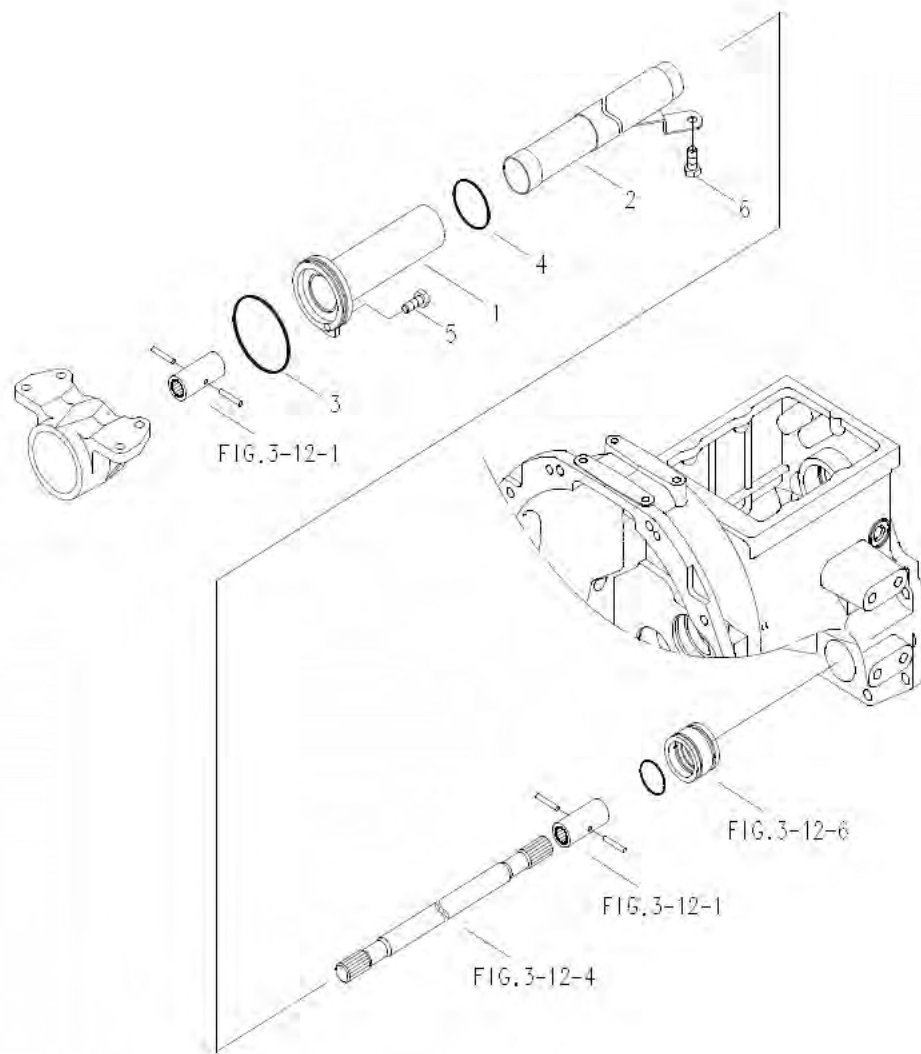
**FIG. 4-2**

NO.	PART NO.	PART NAME & DESCRIPTION		QTY	APP. NO	REM.
1-20	A1324080	DIFFERENTIAL ASSY		1		
1	A1324101	PINION & RING GEAR SET		1		
2	A1324073	CASE, DIFF1		1		
3	A1324074	CASE, DIFF2		1		
4	A1324075	SHAFT1		1		
5	A1324076	SHAFT2		2		
6	A1324117	GEAR, DIFF SIDE(L)	16T	1		01
7	A1324118	GEAR, DIFF SIDE(R)	16T	1		01
8	A1324116	PINION, MAT	10T	4		01
9	A1324115	HOLDER, SHAFT		1		01
10	3A1324007	HUB, DIFF LOCK		1		
11	3A1324014	ROLLER	D12x1.5	10		
12	3A1324012	PLATE, LOCK		4		
13	3A1324016	BOLT, HEX	M12x1.25x23L	8		
14	S446065010	PIN, SPRING W-TY	D6x50	3		
15	A1324079	WASHER, LOCK	1.0t	4		
16	S105082043	BOLT, HEX SMALL	M8x1.25x20L	8		
17	3A1324003	WASHER, THURST(L)	OD74xID55x0.8t	1		
18	3A1970123	WASHER, THRUST	OD19.45xID42.07x0.8t	4		
19	3A1970122	WASHER, THRUST(R)	OD71.44xID41.47x0.8t	1		

# FRONT WHEEL DRIVE PROP COVER

FIG. 4-3

G. 380



# FRONT WHEEL DRIVE PROP COVER

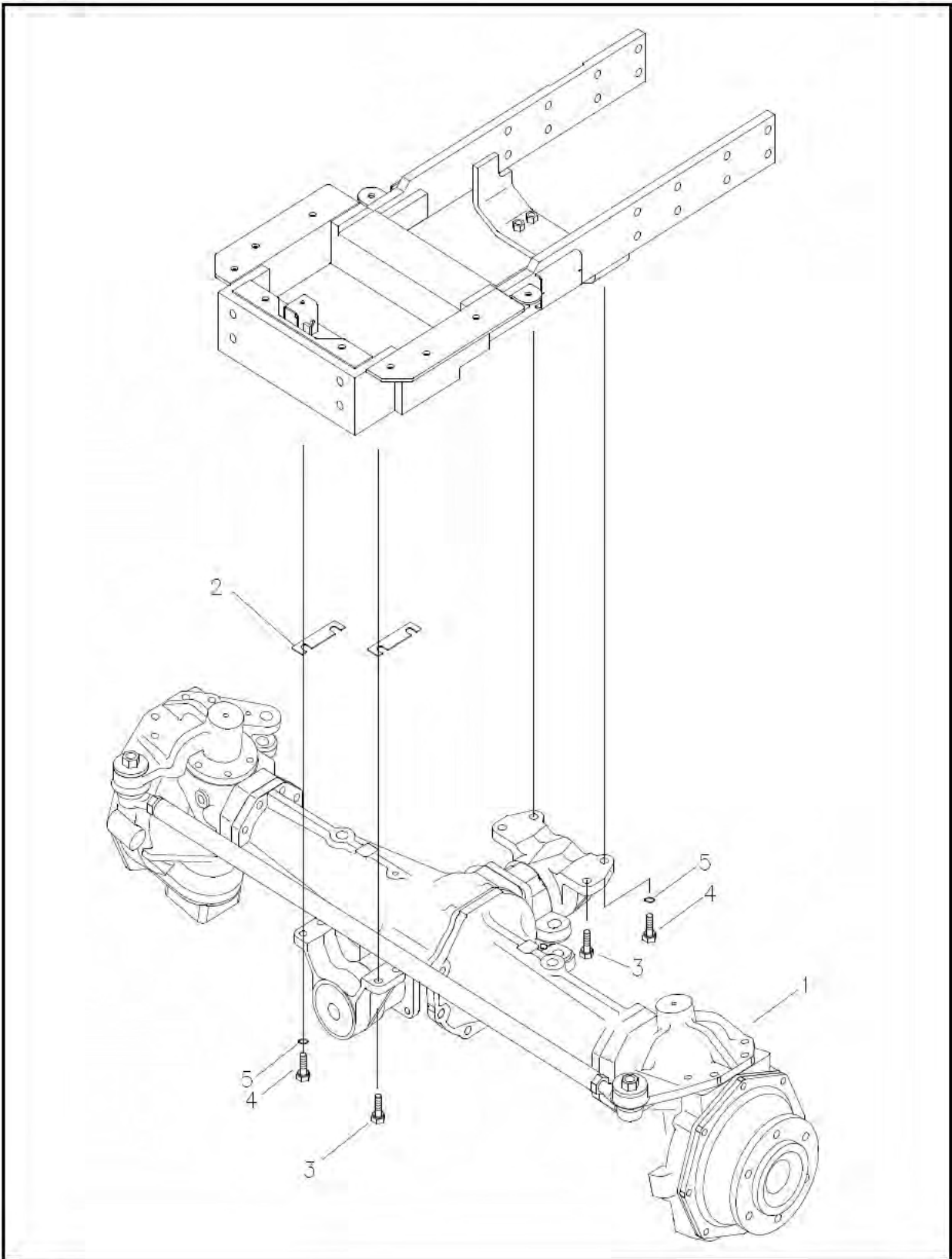
**FIG. 4-3**

NO.	PART NO.	PART NAME & DESCRIPTION	QTY	APP. NO	REM.
1	A1380020	COVER, 4WD PROP	1		
2	A1388014	COVER, 4WD REAR PROP	1		
3	S802075010	O-RING (G) <span style="float: right;">G80(<math>\Phi</math>74.4xW3.1)</span>	1		
4	S802040010	O-RING (G) <span style="float: right;">G40(D45xW3.1)</span>	1		
5	S153082533	BOLT, HEX. W/WASHER <span style="float: right;">M8x1.0x25L</span>	1		
6	S154101633	BOLT, HEX. W/WASHER <span style="float: right;">M10x1.25x16L</span>	1		

# FRONT AXLE ASSY

FIG. 5-1

G. 400



# FRONT AXLE ASSY

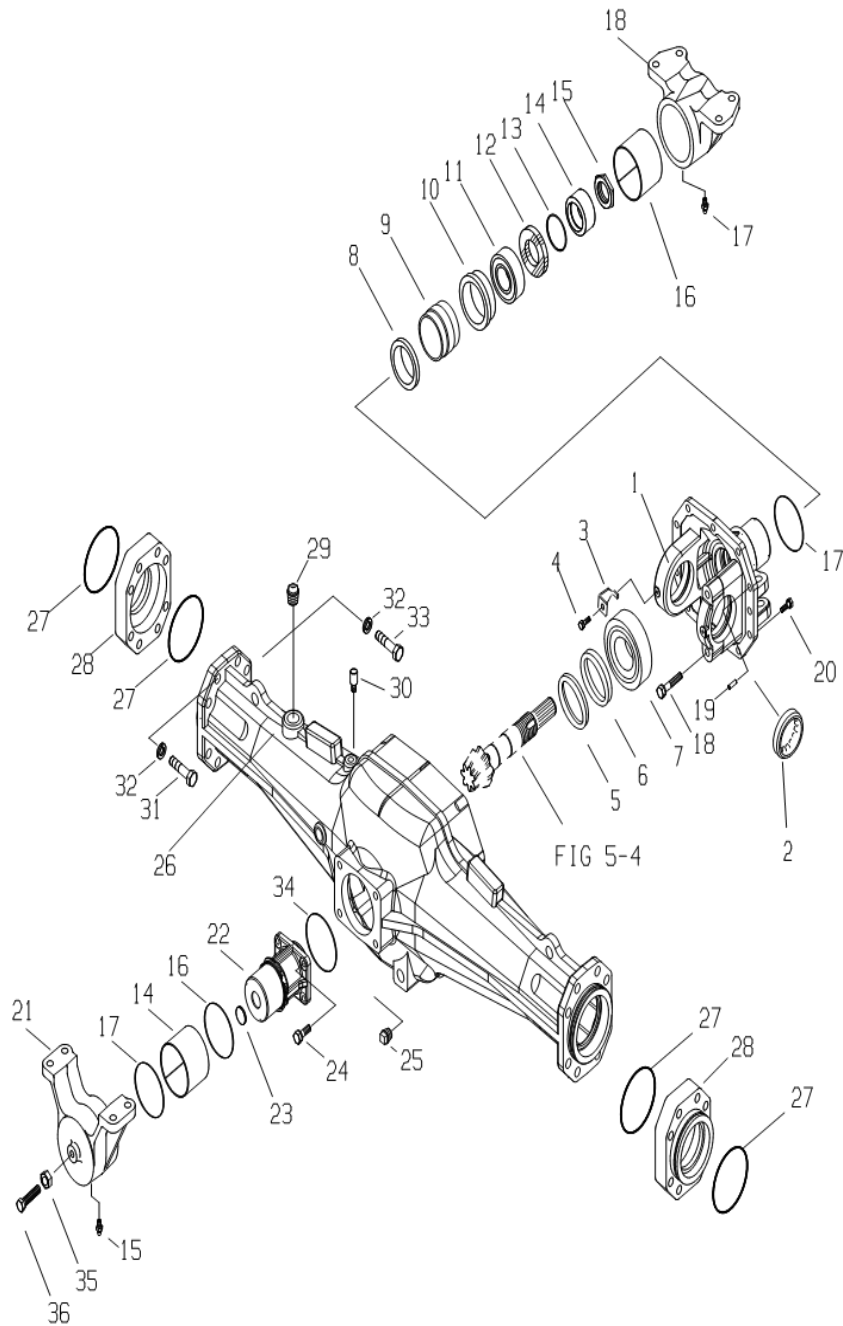
**FIG. 5-1**

NO.	PART NO.	PART NAME & DESCRIPTION		QTY	APP. NO	REM.
1	A1400239	FRONT AXLE ASSY		1		
2	A1400181	LINNER, F/AXLE	0.4t	AR		
	A1400182	LINNER, F/AXLE	1.2t	AR		
	A1400183	LINNER, F/AXLE	2.3t	AR		
3	S154124533	BOLT, HEX. SMALL	M12x1.25x45	3		
	S153123533	BOLT, HEX. SMALL	M12x1.75x35	3		
4	A1400325	BOLT, REAMER	M12x1.25x45	1		
	A1400223	BOLT, REAMER	M12x1.75x35	1		
5	S361120013	WASHER, SPRING		2		

# FRONT AXLE CASE

FIG. 5-2-1

G. 400





# FRONT AXLE CASE

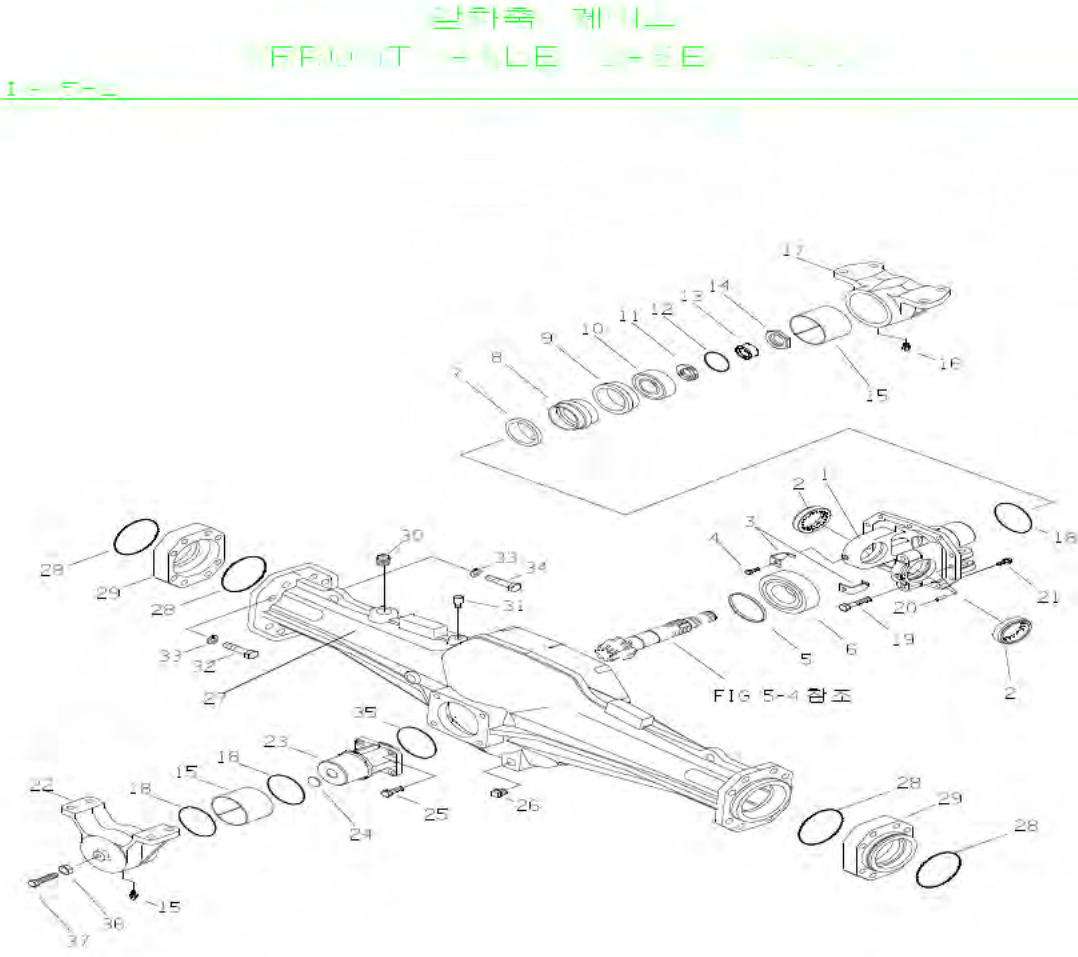
FIG. 5-2-1

NO.	PART NO.	PART NAME & DESCRIPTION		QTY	APP. NO	REM.
1~14	A1400244	DIFF, GEAR & HOLDER ASSY		1		
1	A1400222	HOLDER, DIFF ASS'Y		1		
2	A1400224	SCREW		2		
3	A1400237	PLATE, LOCK		2		
4	S153061233	BOLT, HEX W/WASHER	8.8T	2		
5	A1400253	WASHER	2t	1		
6	A0870451~8	LINER		AR		
7	A1326032	BEARING, TAPER ROLLER	#32207C(KBC, NSK)	1		
8	A1400236	SPACER		1		
9	A1400227	SPACER		1		
10	A1400228	SPACER		1		
11	A1400093	BEARING, TAPER ROLLER	#32206C(KBC, NSK)	1		
12	3A1970012	SEAL, OIL	D45XD62X9T	1		
13	S801030010	O-RING(P)	D29.7XD3.5	1		
14	3A1411004	BUSHING, SEAL	D45X15	1		
15	3A1970065	NUT	M30X1.5	1		
16	3A1970006	BUSHING	ID80x40	2		
17	3A1970069	NIPPLE, GREASE	PT1/8	2		
18	A1400190	BRACKET, REAR		1		
19	S802080010	O-RING	D79.4xD3.1	3		
20	A1400225	BOLT, REAMER		2		A1400222의 자부품
21	S421132023	PIN, PAR, A-TY		2		
22	S153123533	BOLT, HEX .W / WASHER	M12x1.25	10		
23	A1400175	BRACKET, FRONT		1		
24	A1400100	HOLDER, FRONT PIVOT		1		
25	A1400235	WASHER		1		
26	S154103033	BOLT, HEX W / WASHER	M10x1.25x30L	4		
27	3A1970052	PLUG, TAPER	PT3/8	1		
28	A1400209	CASE, FRONT AXLE		1		
29	S802095010	O-RING	D94.4x3.1	4		
30	A1400336	CONNECTOR		2		
31	3A1970051	PLUG, TAPER	PT1/2	1		
32	3A1400004	BREATHER, AIR		1		
33	S101127043	BOLT, HEX	M12x1.75x70L	14		
34	S361120013	WASHER SPRING		16		
35	A1970302	BOLT, REAMER	M12X1.75X75L	2		
36	S802075010	O-RING	D75	1		
37	S301120043	NUT, HEX	M12x1.75	3		
38	S163124043	BOLT, HEX	M12x1.75x40L	3		

# FRONT AXLE CASE

FIG. 5-2-1

G. 400



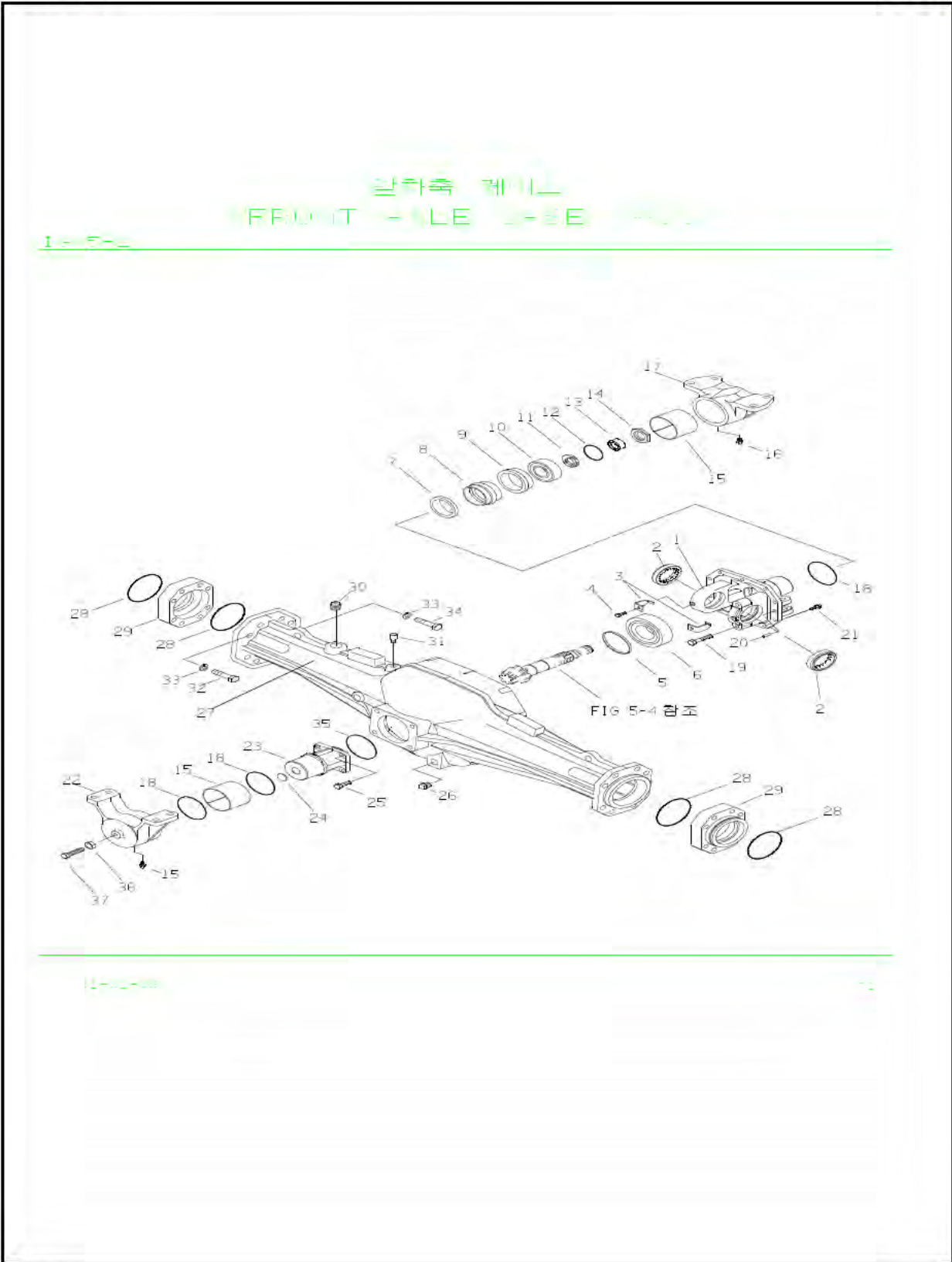
# FRONT AXLE CASE

FIG. 5-2-1

NO.	PART NO.	PART NAME & DESCRIPTION	QTY	APP. NO	REM.
1~14	A1400244	DIFF, GEAR & HOLDER ASSY	1		
1	A1400222	HOLDER, DIFF ASS'Y	1		
2	A1400224	SCREW	2		
3	A1400237	PLATE, LOCK	2		
4	S153061233	BOLT, HEX W/WASHER	2		
		8.8T			
5	A0870451~8	LINER	AR		
6	A1326032	BEARING, TAPER ROLLER	1		
		#32207C(KBC, NSK)			
7	A1400236	SPACER	1		
8	A1400227	SPACER	1		
9	A1400228	SPACER	1		
10	A1400093	BEARING, TAPER ROLLER	1		
		#32206C(KBC, NSK)			
11	3A1970012	SEAL, OIL	1		
		D45XD62X9T			
12	S801030010	O-RING(P)	1		
		D29.7XD3.5			
13	3A1411004	BUSHING, SEAL	1		
		D45X15			
14	3A1970065	NUT	1		
		M30X1.5			
15	3A1970006	BUSHING	2		
		ID80x40			
16	3A1970069	NIPPLE, GREASE	2		
		PT1/8			
17	A1400190	BRACKET, REAR	1		
18	S802080010	O-RING	3		
		D79.4xD3.1			
19	A1400225	BOLT, REAMER	2		A1400222의 자부품
20	S421132023	PIN, PAR, A-TY	2		
21	S153123533	BOLT, HEX .W / WASHER	10		
		M12x1.25			
22	A1400175	BRACKET, FRONT	1		
23	A1400100	HOLDER, FRONT PIVOT	1		
24	A1400235	WASHER	1		
25	S154103033	BOLT, HEX W / WASHER	4		
		M10x1.25x30L			
26	3A1970052	PLUG, TAPER	1		
		PT3/8			
27	A1400209	CASE, FRONT AXLE	1		
28	S802095010	O-RING	4		
		D94.4x3.1			
29	A1400336	CONNECTOR	2		
30	3A1970051	PLUG, TAPER	1		
		PT1/2			
31	3A1400004	BREATHER, AIR	1		
32	S101127043	BOLT, HEX	14		
		M12x1.75x70L			
33	S361120013	WASHER SPRING	16		
34	A1970302	BOLT, REAMER	2		
		M12X1.75X75L			
35	S802075010	O-RING	1		
		D75			
36	S301120043	NUT, HEX	3		
		M12x1.75			
37	S163124043	BOLT, HEX	3		
		M12x1.75x40L			

# FRONT AXLE CASE

FIG. 5-2-1



# FRONT AXLE CASE

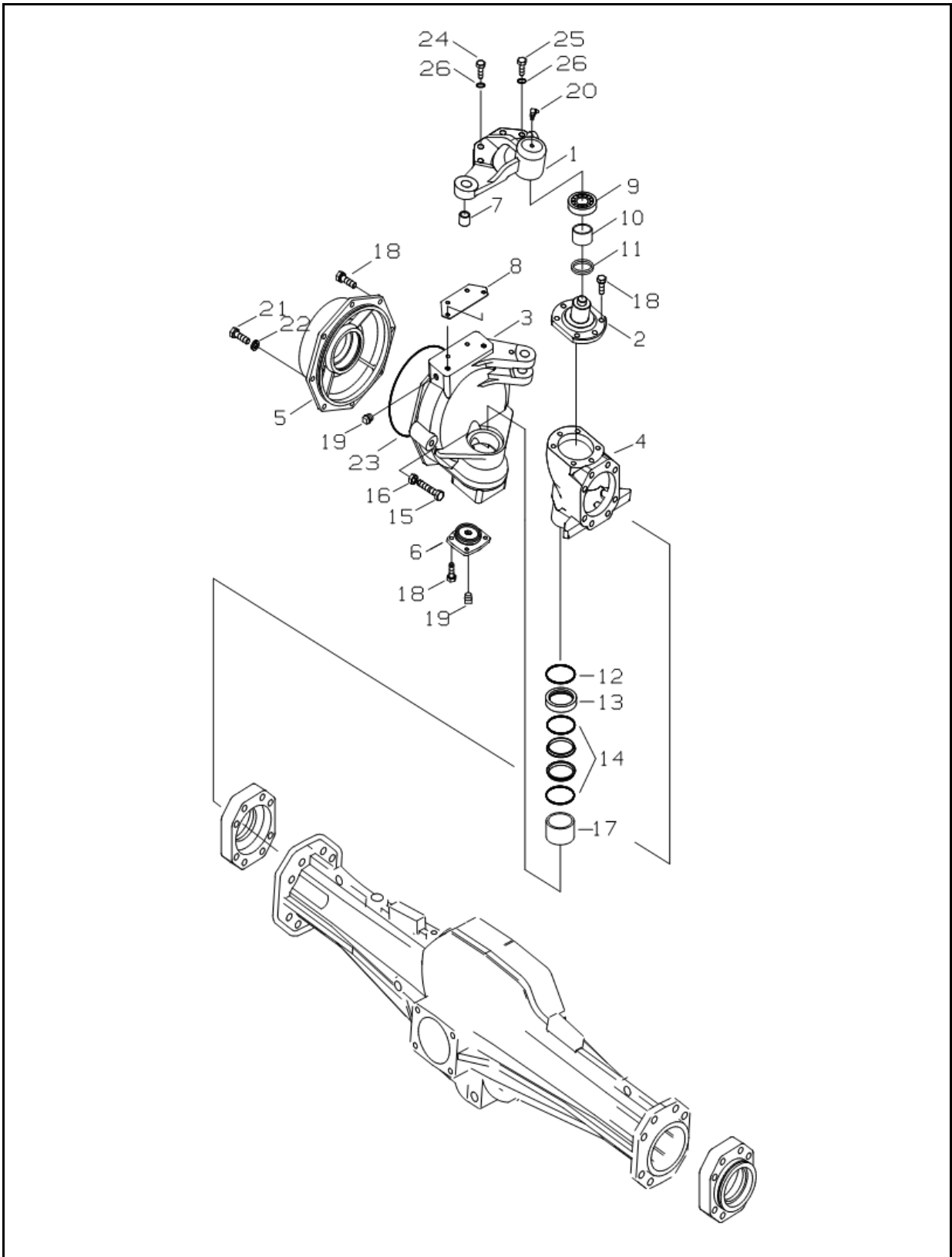
FIG. 5-2-1

NO.	PART NO.	PART NAME & DESCRIPTION	QTY	APP. NO	REM.
1~14	A1400244	DIFF, GEAR & HOLDER ASSY	1		
1	A1400222	HOLDER, DIFF ASS'Y	1		
2	A1400224	SCREW	2		
3	A1400237	PLATE, LOCK	2		
4	S153061233	BOLT, HEX W/WASHER	2		
		8.8T			
5	A0870451~8	LINER	AR		
6	A1326032	BEARING, TAPER ROLLER	1		
		#32207C(KBC, NSK)			
7	A1400236	SPACER	1		
8	A1400227	SPACER	1		
9	A1400228	SPACER	1		
10	A1400093	BEARING, TAPER ROLLER	1		
		#32206C(KBC, NSK)			
11	3A1970012	SEAL, OIL	1		
		D45XD62X9T			
12	S801030010	O-RING(P)	1		
		D29.7XD3.5			
13	3A1411004	BUSHING, SEAL	1		
		D45X15			
14	3A1970065	NUT	1		
		M30X1.5			
15	3A1970006	BUSHING	2		
		ID80x40			
16	A0730048	NIPPLE, GREASE	2		
		PT1/8			
17	A1400190	BRACKET, REAR	1		
18	S802080010	O-RING	3		
		D79.4xD3.1			
19	A1400225	BOLT, REAMER	2		A1400222의 자부품
20	S421132023	PIN, PAR, A-TY	2		
21	S153123533	BOLT, HEX .W / WASHER	10		
		M12x1.25			
22	A1400175	BRACKET, FRONT	1		
23	A1400100	HOLDER, FRONT PIVOT	1		
24	A1400235	WASHER	1		
25	S154103033	BOLT, HEX W / WASHER	4		
		M10x1.25x30L			
26	3A1970052	PLUG, TAPER	1		
		PT3/8			
27	A1400209	CASE, FRONT AXLE	1		
28	S802095010	O-RING	4		
		D94.4x3.1			
29	A1400233	CONNECTOR	2		
30	3A1970051	PLUG, TAPER	1		
		PT1/2			
31	3A1400004	BREATHER, AIR	1		
32	S101127043	BOLT, HEX	14		
		M12x1.75x70L			
33	S361120013	WASHER SPRING	16		
34	A1970302	BOLT, REAMER	2		
		M12X1.75X75L			
35	S802075010	O-RING	1		
		D75			
36	S301120043	NUT, HEX	3		
		M12x1.75			
37	S163124043	BOLT, HEX	3		
		M12x1.75x40L			

# FRONT AXLE CASE

FIG. 5-2-2

G. 400



# FRONT AXLE CASE

**FIG. 5-2-2**

NO.	PART NO.	PART NAME & DESCRIPTION	QTY	APP. NO	REM.
1	A1400229	ARM (R)	1		
2	A1402062	HOLDER, ARM	1		
3	A1400231	CASE, GEAR (R)	1		
4	A1400097	CASE, KING PIN	1		
5	A1402073	COVER	1		
6	A1402071	COVER	1		
7	A1402058	BUSHING, TAPER	1		
8	A1402048	SHIM	0.15t	AR	
	A1402049	SHIM	0.30t	AR	
	A1402050	SHIM	0.40t	AR	
9	A1400076	BEARING, TAPER ROLLER	#32004J	1	
10	A1402051	BUSING	D40x44x28	1	
11	A0652582	SEAL, DUST	D40x48x6.5	1	
12	S804060010	O-RING (S)	D59.5x2	1	
13	A1400072	HOUSING, G-SEAL		1	
14	A1400168	GROUP SEAL		1	
15	S163124043	BOLT, HEX	M12x1.75x40L	1	
16	S301120043	NUT, HEX	M12x1.75	1	
17	A1400077	BUSHING	MB6030DU	1	
18	S154103033	BOLT, W / WASHER	M10x1.25x30	17	
19	3A1970052	PLUG, TAPER	PT3/8	2	
20	3A1970069	NIPPLE, GREASE	PT1/8	1	
21	3A1970055	BOLT, REAMER	M10x1.25x30L	1	
22	S361100013	WASHER, SPRING	Φ10	1	
23	3A1970056	O-RING	D225xD3	1	
24	S101123043	BOLT, HEX . F-THRD	M12x30x1.75L	2	
25	3A1970057	BOLT, REAMER	M12x30	2	
26	S361120013	WASHER, SPRING	Φ12	4	

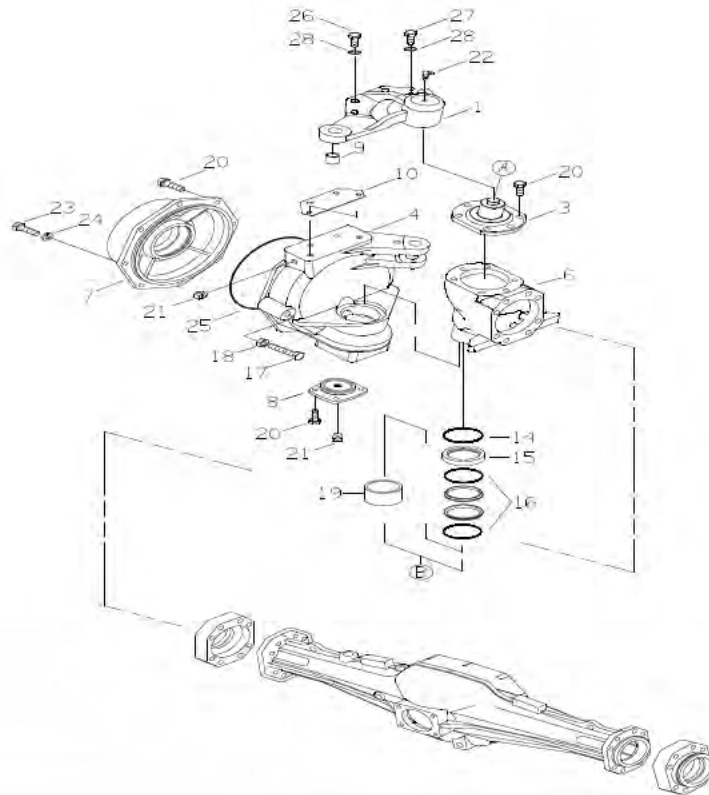
# FRONT AXLE CASE

FIG. 5-2-2

G. 400

앞카축 케이스  
FRONT AXLE CASE

FIG. 5-2-2





# FRONT AXLE CASE

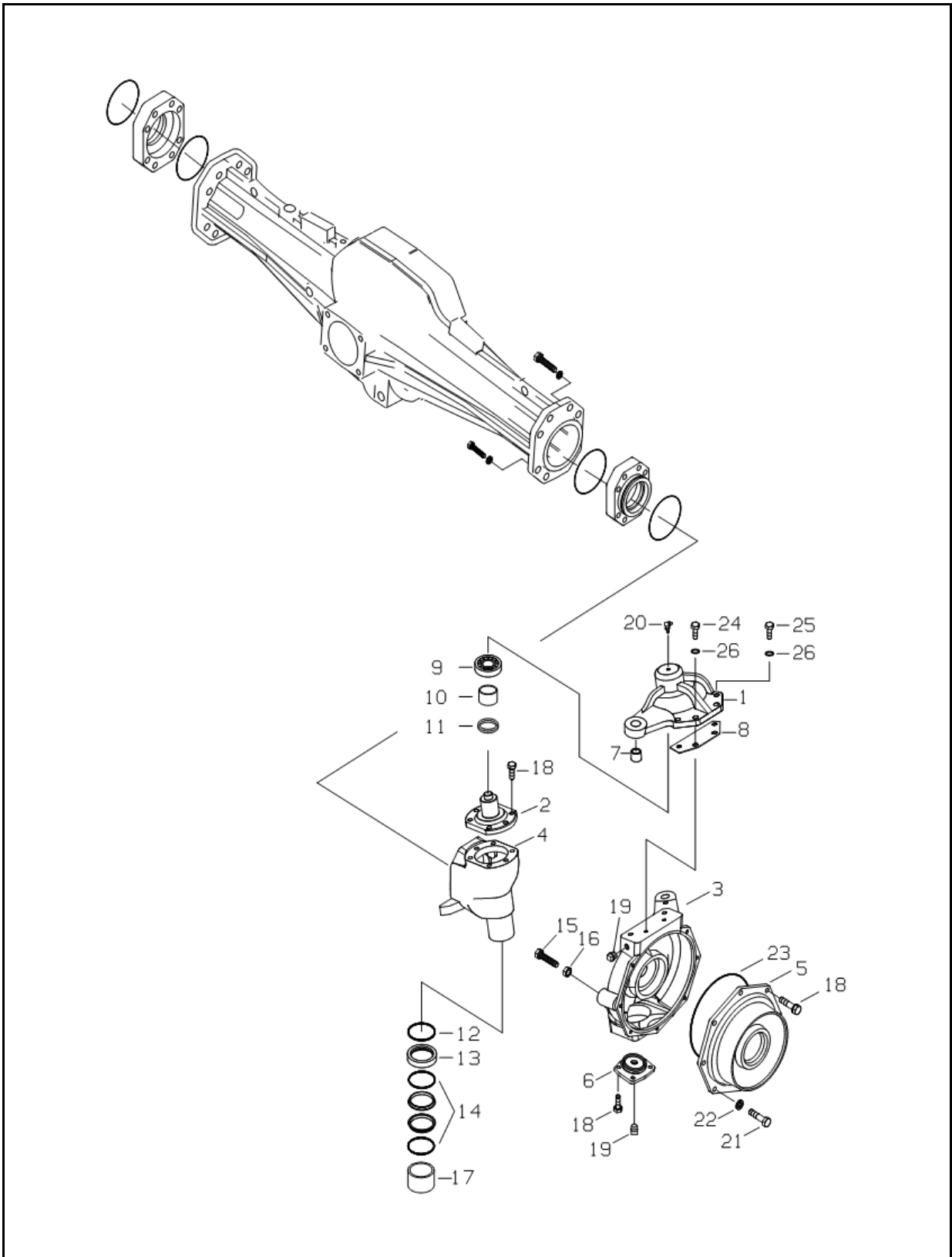
**FIG. 5-2-2**

NO.	PART NO.	PART NAME & DESCRIPTION		QTY	APP. NO	REM.
1	A1400229	ARM(R)		1		
2						
3	A1402062	HOLDER, ARM		2		
4	A1400231	CASE, GEAR(R)		1		
5						
6	A1400097	CASE, KING PIN		2		
7	A1402073	COVER		2		
8	A1402071	COVER		2		
9	A1402058	BUSHING, TAPER		2		
10	A1402048	SHIM	0.15t	AR		
	A1402049	SHIM	0.30t	AR		
	A1402050	SHIM	0.40t	AR		
11	A1400076	BEARING, TAPER ROLLER	#32004J	2		
12	A1402051	BUSING	D40x44x28	2		
13	A0652582	SEAL, DUST	D40x48x6.5	2		
14	S804060010	O-RING (S)	D59.5x2	2		
15	A1400072	HOUSING, G-SEAL		2		
16	A1400188	GROUP SEAL		2		
17	S163124043	BOLT, HEX	M12x1.75x40L	3		
18	S301120043	NUT, HEX	M12x1.75	3		
19	A1400077	BUSHING	MB6030DU	2		
20	S154103033	BOLT, W / WASHER	M10x1.25x30	34		
21	3A1970052	PLUG, TAPER	PT3/8	5		
22	3A1970069	NIPPLE, GREASE	PT1/8	2		
23	3A1970055	BOLT, REAMER	M10x1.25x30L	2		
24	S361100013	WASHER, SPRING	Φ10	2		
25	A1970056	O-RING	D225xD3	2		
26	S101123043	BOLT, HEX . F-THRD	M12x30x1.75L	4		
27	3A1970057	BOLT, REAMER	M12x30	4		
28	S361120013	WASHER, SPRING	Φ12	8		

# FRONT AXLE CASE

FIG. 5-2-3

G. 400



# FRONT AXLE CASE

**FIG. 5-2-3**

NO.	PART NO.	PART NAME & DESCRIPTION	QTY	APP. NO	REM.
1	A1400230	ARM (L)	1		
2	A1402062	HOLDER, ARM	1		
3	A1400232	CASE, GEAR(L)	1		
4	A1400097	CASE, KING PIN	1		
5	A1402073	COVER	1		
6	A1402071	COVER	1		
7	A1402058	BUSHING, TAPER	1		
8	A1402048	SHIM	0.15t	AR	
	A1402049	SHIM	0.30t	AR	
	A1402050	SHIM	0.40t	AR	
9	A1400076	BEARING, TAPER ROLLER	#32004J	1	
10	A1402051	BUSING	D40x44x28	1	
11	A0652582	SEAL, DUST	D40x48x6.5	1	
12	S804060010	O-RING (S)	D59.5x2	1	
13	A1400072	HOUSING, G-SEAL		1	
14	A1400168	GROUP SEAL		1	
15	S163124043	BOLT, HEX	M12x1.75x40L	1	
16	S301120043	NUT, HEX	M12x1.75	1	
17	A1400077	BUSHING	MB6030DU	1	
18	S154103033	BOLT, W / WASHER	M10x1.25x30L	17	
19	3A1970052	PLUG, TAPER	PT3/8	2	
20	3A1970069	NIPPLE, GREASE	PT1/8	1	
21	3A1970055	BOLT, REAMER	M10x1.25x30L	1	
22	S361100013	WASHER, SPRING	Φ10	1	
23	3A1970056	O-RING	D225xD3	1	
24	S101123043	BOLT, HEX . F-THRD	M12x30x1.75L	2	
25	3A1970057	BOLT, REAMER	M12x30	2	
26	S361120013	WASHER, SPRING	Φ12	4	

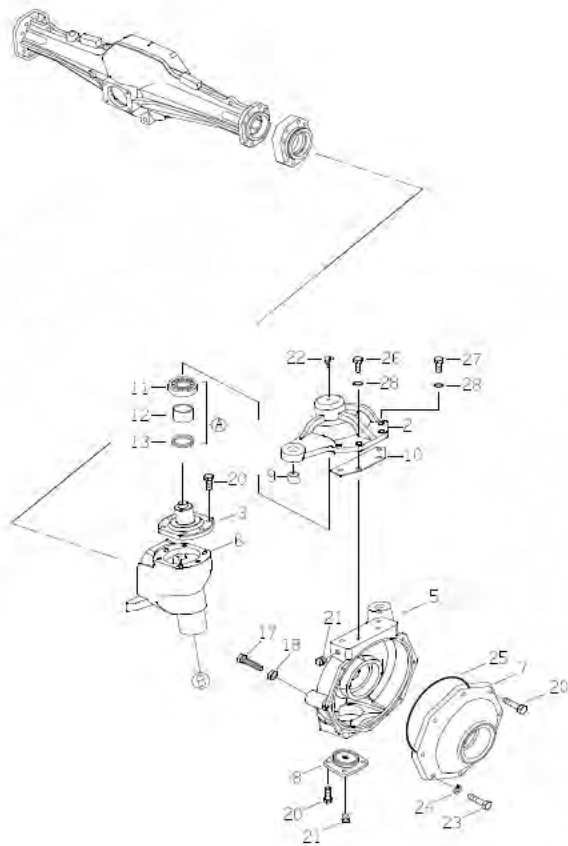
# FRONT AXLE CASE

FIG. 5-2-3

G. 400

앞축축 케이스  
FRONT AXLE CASE

FIG. 5-2-3



# FRONT AXLE CASE

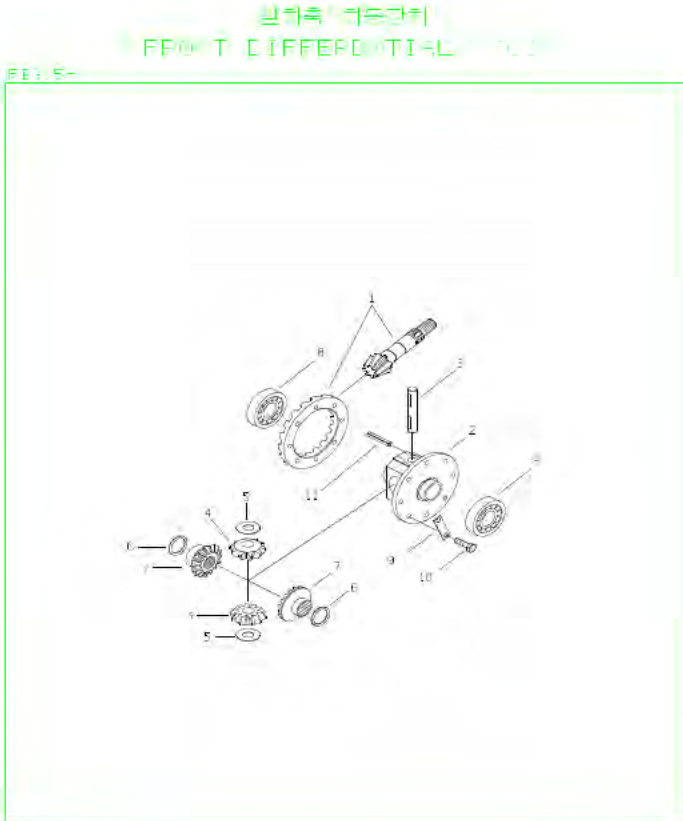
**FIG. 5-2-3**

NO.	PART NO.	PART NAME & DESCRIPTION		QTY	APP. NO	REM.
1						
2	A1400230	ARM(L)		1		
3	A1402062	HOLDER, ARM		2		
4						
5	A1400232	CASE, GEAR(L)		1		
6	A1400097	CASE, KING PIN		2		
7	A1402073	COVER		2		
8	A1402071	COVER		2		
9	A1402058	BUSHING, TAPER		2		
10	A1402048	SHIM	0.15t	AR		
	A1402049	SHIM	0.30t	AR		
	A1402050	SHIM	0.40t	AR		
11	A1400076	BEARING, TAPER ROLLER	#32004J	2		
12	A1402051	BUSING	D40x44x28	2		
13	A0652582	SEAL, DUST	D40x48x6.5	2		
14	S804060010	O-RING (S)	D59.5x2	2		
15	A1400072	HOUSING, G-SEAL		2		
16	A1400188	GROUP SEAL		2		
17	S163124043	BOLT, HEX	M12x1.75x40L	3		
18	S301120043	NUT, HEX	M12x1.75	3		
19	A1400077	BUSHING	MB6030DU	2		
20	S154103033	BOLT, W / WASHER	M10x1.25x30L	34		
21	3A1970052	PLUG, TAPER	PT3/8	5		
22	3A1970069	NIPPLE, GREASE	PT1/8	2		
23	3A1970055	BOLT, REAMER	M10x1.25x30L	2		
24	S361100013	WASHER, SPRING	Φ10	2		
25	A1970056	O-RING	D225xD3	2		
26	S101123043	BOLT, HEX . F-THRD	M12x30x1.75L	4		
27	3A1970057	BOLT, REAMER	M12x30	4		
28	S361120013	WASHER, SPRING	Φ12	8		

# FRONT DIFFERENTIAL

FIG. 5-3

G. 400



# FRONT DIFFERENTIAL

**FIG. 5-3**

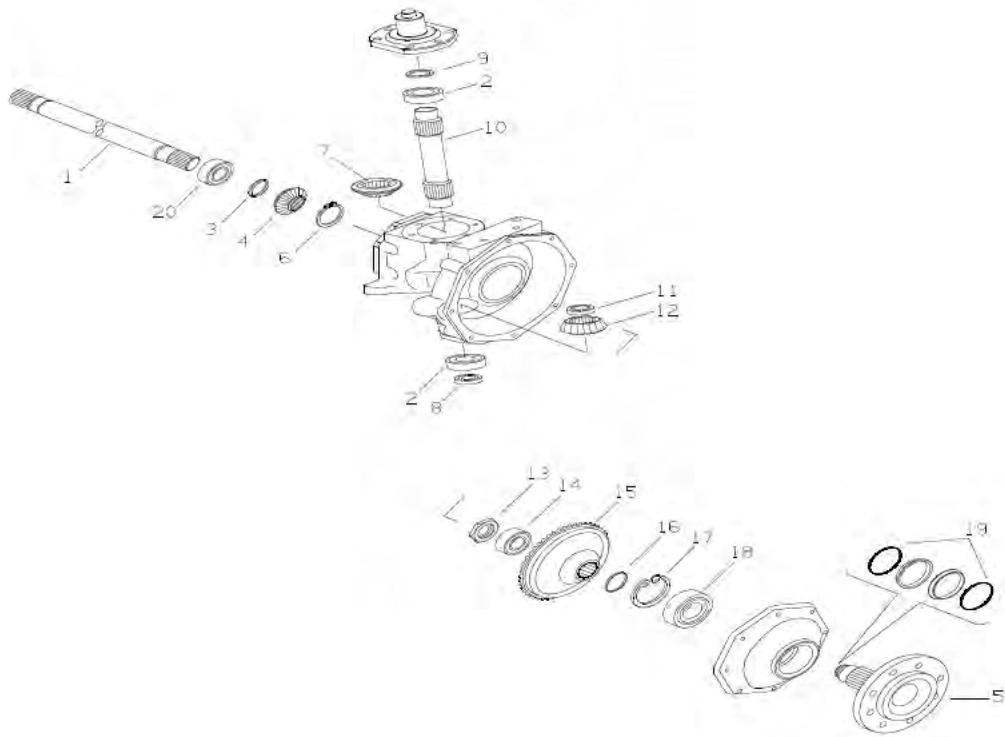
NO.	PART NO.	PART NAME & DESCRIPTION	QTY	APP. NO	REM.
1~11	A1400210	DIFF. GEAR ASSY	1		
1	A1400214	PINION & RING GEAR SET	1		
2	A1400211	CASE, DIFF	1		
3	3A1415004	SHAFT	1		
4	A1324060	PINION, MATE	2		
5	3A1970123	WASHER, THRUST	2		
6	3A1970122	WASHER, THRUST	2		
7	A1324062	GEAR, DIFF, SIDE	2		
8	A1400247	BEARING, TAPER ROLLER	2		#32010XJ(KBC,NSK)
9	A1410041	PLATE, LOCK	4		
10	A1410039	BOLT, HEX .	8		
11	S446065012	PIN, SPRING	1		Φ6.0x65L

# FRONT DRIVE

FIG. 5-4

G. 400

앞축 구동장치  
FRONT DRIVE





# FRONT DRIVE

**FIG. 5-4**

NO.	PART NO.	PART NAME & DESCRIPTION		QTY	APP. NO	REM.
1	A1400220	SHAFT, F/DIFF		2		
2	A0863070	BEARING, BALL	#6307 (OD80xID35x21)	4		
3	A1400241	LINER	0.1T(D33)	1		
	A1400242	LINER	0.1T(D33)	1		
	A1400243	LINER	0.1T(D33)	1		
4	A1400215	GEAR	12T	2		
5	A1402074	SHAFT, AXLE		2		
6	S810035001	RING, SNAP	D32.2x1.5	2		
7	A1400216	GEAR	16T	2		
8	A1400187	BEARING, THRUST	NSK51206 (OD52xID35x12)	2		
9	3A1970109	LINER	0.1t	AR		
	3A1970110	LINER	0.2t	AR		
	3A1970111	LINER	0.5t	AR		
10	A1400221	SHAFT, KING PIN PINION		2		
11	3A1970035	BEARING, THRUST	NSK51108 (OD60xID40x13)	2		
12	A1400217	GEAR	13T	2		
13	A1402047	NUT, LOCK	M30x1.5	2		
14	A0863080	BEARING, BALL	#6308 (OD90xID40x23)	2		
15	A1400218	GEAR	39T	2		
16	3A1970112	LINER	0.4t	AR		
	3A1970113	LINER	0.6t	AR		
	3A1970114	LINER	0.8t	AR		
	3A1970115	LINER	1.0t	AR		
17	S811090001	RING, SNAP	D95.5x3	2		
18	A0862100	BEARING, BALL	#6210 (OD90xID50x20)	2		
19	A1400168	GROUP SEAL		2		
20	A0863070H1	BEARING, BALL	6307HL1	2		

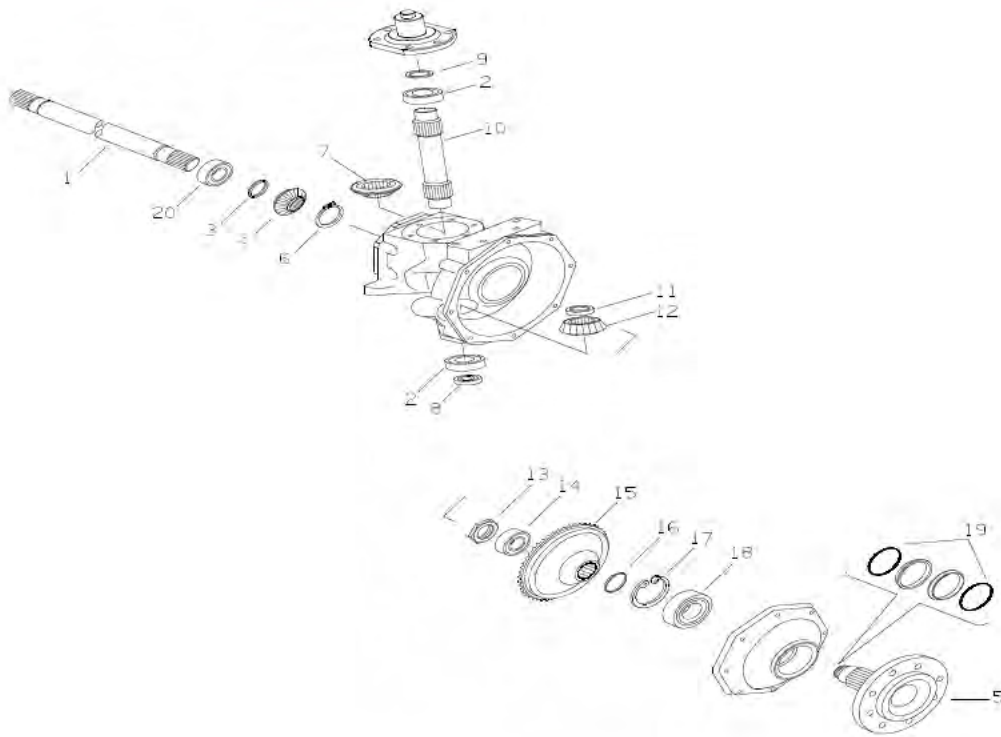
# FRONT DRIVE

FIG. 5-4

G. 400

앞차축 구동장치  
FRONT DRIVE

FIG. 5-5



# FRONT DRIVE

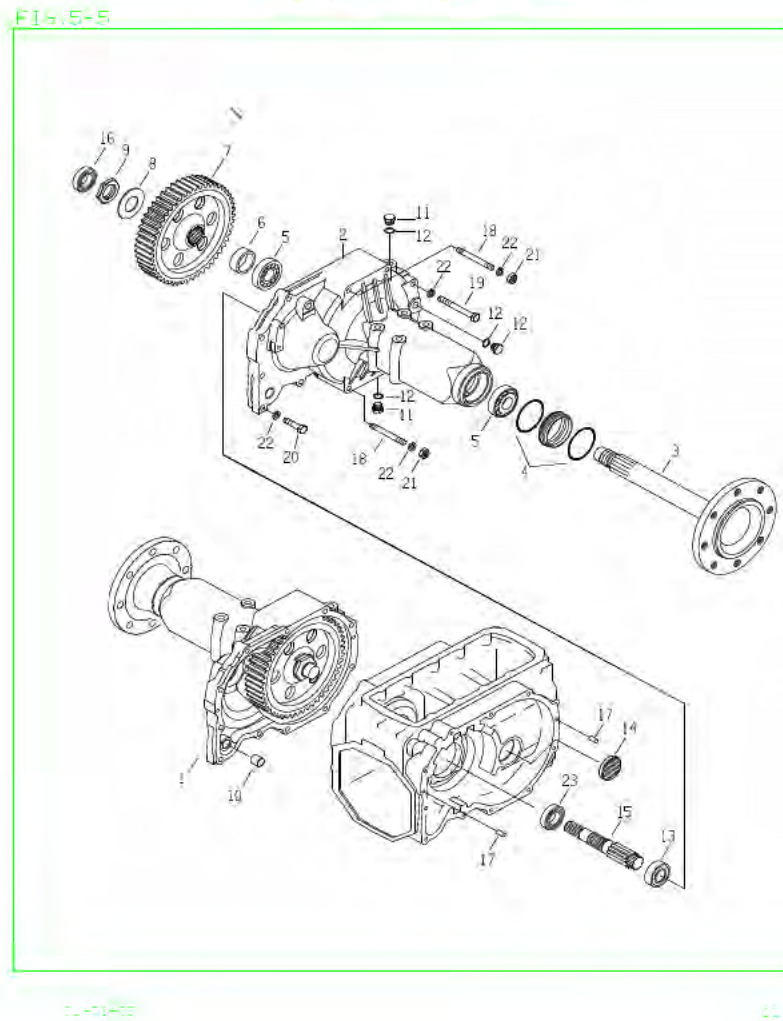
**FIG. 5-4**

NO.	PART NO.	PART NAME & DESCRIPTION	QTY	APP. NO	REM.
1	A1400220	SHAFT, F/DIFF	2		
2	A0863070	BEARING, BALL	#6307 (OD80xID35x21) 4		
3	A1400241	LINER	0.1T(D33) 1		
	A1400242	LINER	0.1T(D33) 1		
	A1400243	LINER	0.1T(D33) 1		
4	A1400215	GEAR	12T 2		
5	A1400218	SHAFT, AXLE	2		
6	S810035001	RING, SNAP	D32.2x1.5 2		
7	A1400216	GEAR	16T 2		
8	A1400187	BEARING, THRUST	NSK51206 (OD52xID35x12) 2		
9	3A1970109	LINER	0.1t AR		
	3A1970110	LINER	0.2t AR		
	3A1970111	LINER	0.5t AR		
10	A1400221	SHAFT, KING PIN PINION	2		
11	3A1970035	BEARING, THRUST	NSK51108 (OD60xID40x13) 2		
12	3A1402011	GEAR	13T 2		
13	A1402047	NUT, LOCK	M30x1.5 2		
14	A0863080	BEARING, BALL	#6308 (OD90xID40x23) 2		
15	A1400218	GEAR	39T 2		
16	3A1970112	LINER	0.4t AR		
	3A1970113	LINER	0.6t AR		
	3A1970114	LINER	0.8t AR		
	3A1970115	LINER	1.0t AR		
17	S811090001	RING, SNAP	D95.5x3 2		
18	A0862100	BEARING, BALL	#6210 (OD90xID50x20) 2		
19	A1400188	GROUP SEAL	2		
20	A0863070H1	BEARING, BALL	6307HL1 2		

# REAR AXLE

FIG. 5-5

G. 480



# REAR AXLE

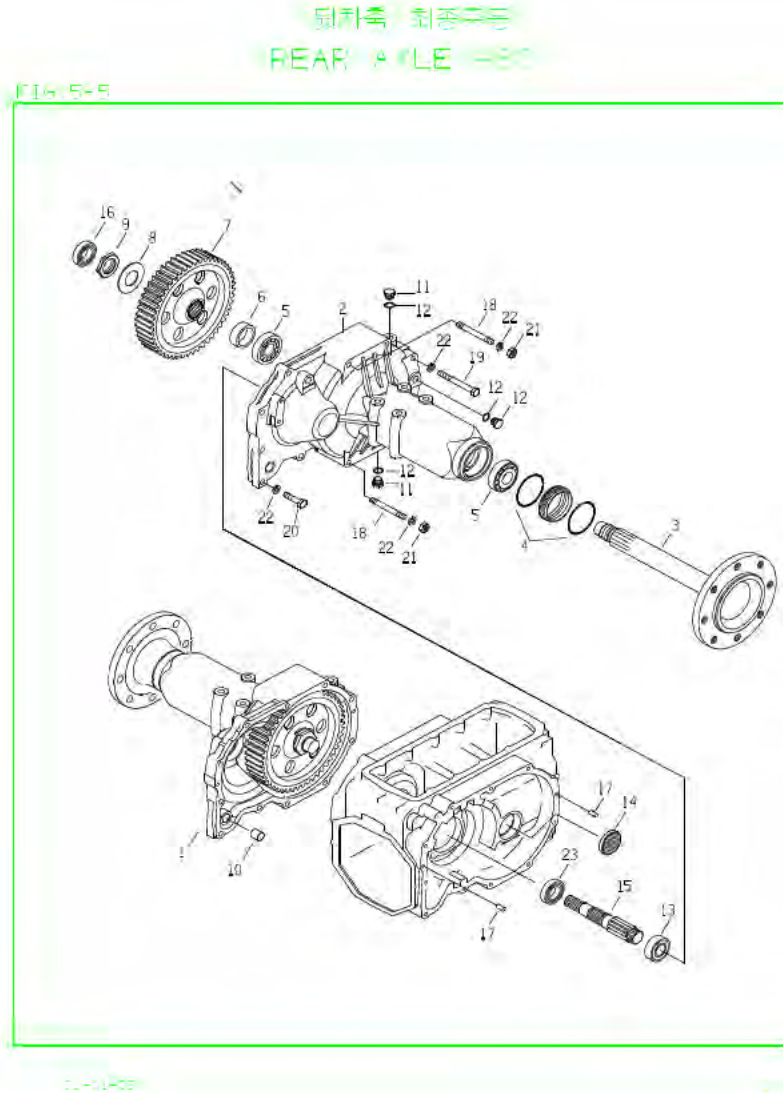
**FIG. 5-5**

NO.	PART NO.	PART NAME & DESCRIPTION	QTY	APP. NO	REM.
1,3-14	A1480077	F/DRIVE ASSY (RH)	1		
2-14	A1480078	F/DRIVE ASSY (LH)	1		
1	A1480076	CASING, F/DRIVE (RH)	1		
2	A1480075	CASING, F/DRIVE (LH)	1		
3	A1481049	SHAFT, REAR ALXE	2		
4	A1400167	GROUP SEAL ASSY	2		
5	3A1970036	BEARING, TAPER	4		
6	A1481045	SPACER	2		
7	A1481048	GEAR, FINAL DRIVE	2		
8	A0661073	PLATE, LOCK	2		
9	A0611040	NUT, LOCK	2		
10	3A1970002	BUSHING, DU	2		
11	A0610281	PLUG, DRAIN	6		
12	A10263360	SEAL	6		
13	A1481024	BEARING, ROLLER	2		
14	A1283016	CAP, RUBBER	2		280GRP
15	A1481030	PINION, FINAL DRIVE	2		
16	A0863080	BEARING, BALL	2		
17	S423102010	PIN, PAR A-TY	4		
18	A1480073	BOLT, STUD	6		
19	S102141443	BOLT, HEX	6		
20	S101146543	BOLT, HEX	10		
21	S301140043	NUT, HEX. 1-TY	6		
22	S362140013	WASHER, SPR. 2-TY	22		
23	A1481046	BEARING, ROLLER	2		

# REAR AXLE

FIG. 5-5

G. 480



# REAR AXLE

**FIG. 5-5**

NO.	PART NO.	PART NAME & DESCRIPTION		QTY	APP. NO	REM.
1,3-14	A1480077	F/DRIVE ASSY(RH)		1		
2-14	A1480078	F/DRIVE ASSY(LH)		1		
1	A1480076	CASING, F/DRIVE(RH)		1		
2	A1480075	CASING, F/DRIVE(LH)		1		
3	A1481049	SHAFT, REAR ALXE		2		
4	A1481051	GROUP SEAL ASSY		2		
5	3A1970036	BEARING, TAPER	#32011(OD90xID55x23)	4		
6	A1481050	SPACER	D73xd55.5x33	2		
7	A1481048	GEAR, FINAL DRIVE	76T	2		
8	A0661073	PLATE, LOCK	D46x82x1.5	2		
9	A0611040	NUT, LOCK	M45x1.5	2		
10	3A1970002	BUSHING, DU		2		
11	A0610281	PLUG, DRAIN	M20x1.5	6		
12	A10263360	SEAL	OD26xID20x1.5t	6		
13	A1481047	BEARING, ROLLER	NJ2208(D80xd40x23)	2		
14	A1283016	CAP, RUBBER	D62	2		280GRP
15	A1481030	PINION, FINAL DRIVE	10T	2		
16	A0863080	BEARING, BALL	#6308(OD90xID40x23)	2		
17	S423102010	PIN, PAR A-TY	D10x20L	4		
18	A1480073	BOLT, STUD	M14x2x135L	6		
19	S102141443	BOLT, HEX	M14x2x140L	6		
20	S101146543	BOLT, HEX	M14x2x65L	10		
21	S301140043	NUT, HEX. 1-TY	M14x2	6		
22	S362140013	WASHER, SPR. 2-TY	OD24.7xID14.2x4.2t	22		
23	A1481046	BEARING, ROLLER	NJ308(D90xd40x23)	2		

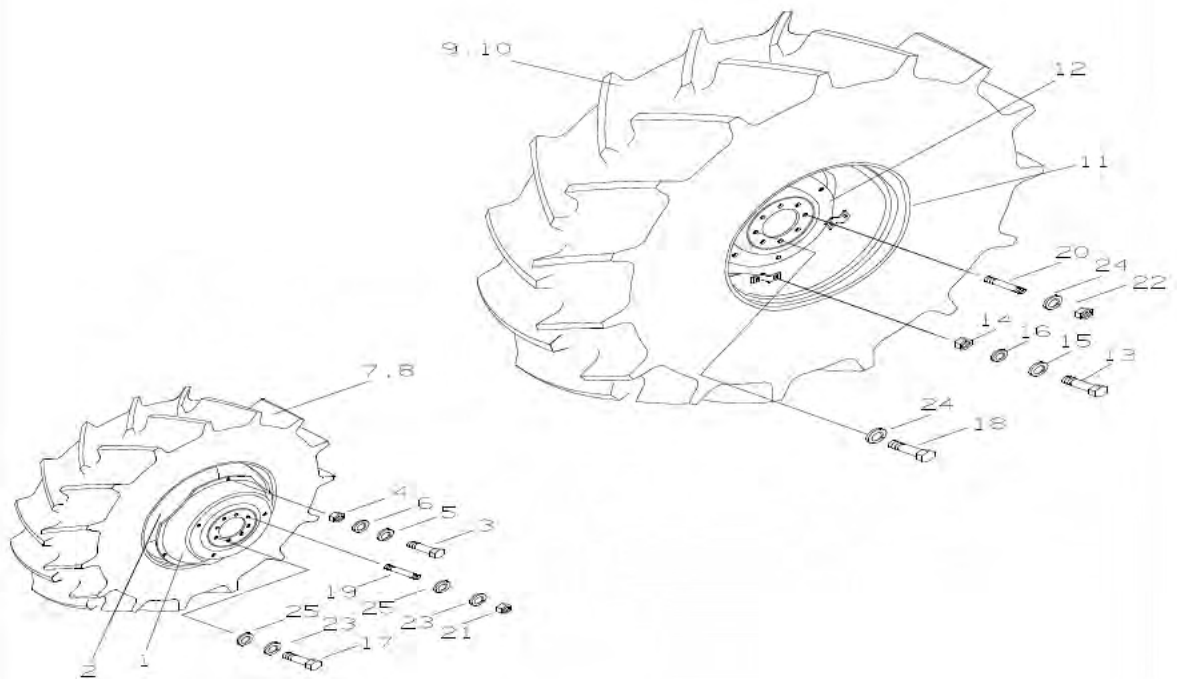
# FRONT & REAR WHEEL (TIRE)

FIG. 5-6

G. 490

앞 뒤 타이어  
FRONT & REAR WHEEL TIRE

5-7





# FRONT & REAR WHEEL (TIRE)

FIG. 5-6

( 4WD )

NO.	PART NO.	PART NAME & DESCRIPTION		QTY	APP. NO	REM.
1-6	A1490090	FRONT RIM & DISK ASSY	W9X20	2		
1	A1490091	DISK, FRONT		1		
2	A1494041	RIM, FRONT		1		
3	A1495036	BOLT, WHEEL DISC		5		
4	A1495037	NUT, WHEEL DISC		5		
5	S361160013	WASHER, SPR. 1-TY.	Φ28/Φ16.2x4T	5		
6	S363160013	WASHER, PLN. S-RD.	Φ28/Φ17x3T	5		
7-8	A1494009	FRONT TIRE ASSY	11.2-20	2		
7	A1494010	TIRE, FRONT		1		
8	A1494013	TUBE, FRONT		1		
9-10	A1495014	REAR TIRE ASSY	14.9-28	2		
9	A1495015	TIRE, REAR		1		
10	A1495018	TUBE, REAR		1		
11-16	A1495028	REAR WHEEL ASSY	W12X28	2		
11	A1495032	RIM, REAR		1		
12	A1495033	DISC, REAR		1		
13	A1495036	BOLT, WHEEL DISC		6		
14	A1495037	NUT, WHEEL DISC		6		
15	S361160013	WASHER, SPR. 1-TY.	Φ28/Φ16.2x4T	6		
16	S363160013	WASHER, PLN. S-RD.	Φ28/Φ17x3T	6		
17	S103163543	BOLT, HEX.	M16x1.5x35L	12		
18	S103183543	BOLT, HEX.	M18x1.5x35L	12		
19	S167163023	BOLT, STUD	M16x1.5x30L	4		
20	S167183023	BOLT, STUD	M18x1.5x30L	4		
21	S302160043	NUT, HEX. 1-TY.	M16x1.5	4		
22	S302180043	NUT, HEX. 1-TY.	M18x1.5	4		
23	S361160013	WASHER, SPR. 1-TY.	Φ28/Φ16.2x4T	16		
24	S361180013	WASHER, SPR. 1-TY.	Φ31/Φ18.2x4.6T	16		
25	S368160013	WASHER, PLN HI-STR	Φ32/Φ17x4.5T	16		

# 본 체 부 품

## CHASSIS PART

---

### ■ 엔진 주변 부품 / ENGINE

연료 탱크 / FUEL TANK ----- FIG. 2-1 G. 040

### ■ 엔진 관련 /

조속 장치 / ENGINE CONTROL ----- FIG. 2-2 G. 100

소음기 / MUFFLER ----- FIG. 2-3 G. 150

라디에이터 / RADIATOR ----- FIG. 2-4 G. 170

에어 크리너 / AIR CLEANER ----- FIG. 2-5 G. 190

엔진 프레임 / ENGINE FRAME ----- FIG. 2-6 G. 210

### ■ 동력 전달 / TM

클러치 / CLUTCH ----- FIG. 3-1 G. 250

클러치 하우징 / CLUTCH HOUSING ----- FIG. 3-2 G. 250

클러치 페달 / CLUTCH PEDAL ----- FIG. 3-3 G. 260

트랜스미션 케이스 / TRANSMISSION CASE ----- FIG. 3-4 G. 280

주축 / MAIN SHAFT ----- FIG. 3-5 G. 281,283

주변속 축 / MAIN GEAR SHAFT ----- FIG. 3-6 G. 281

부변속 축 / RANGE GEAR SHAFT ----- FIG. 3-7 G. 285

초저속 축 / CREEPER SHAFT ----- FIG. 3-8 G. 285

피티오 축 / PTO SHAFT ----- FIG. 3-9 G. 283

피티오 구동축 / PTO DRIVE SHAFT ----- FIG. 3-10 G. 287

피티오 브레이크 / PTO BRAKE ----- FIG. 3-11 G. 283

전륜구동 축 / FRONT WHEEL DRIVE SHAFT ----- FIG. 3-12 G. 288

변속 포크 / SHIFT FORK ----- FIG. 3-13 G. 290,291

변속 레버 / SHIFT LEVER ----- FIG. 3-14 G. 290,291

전후진 레버 / F-R SHIFT LEVER ----- FIG. 3-15 G. 291

주변속 레버 / MAIN GEAR LEVER ----- FIG. 3-16 G. 292

부변속 레버 / RANGE GEAR LEVER ----- FIG. 3-17 G. 292

피티오 변속 레버 / PTO SHIFT LEVER ----- FIG. 3-18 G. 293

### ■ 차동 장치 / DIFF. LOCK

차동 고정장치 / DIFF-LOCK ----- FIG. 4-1 G. 310

차동장치 / REAR DIFFERENTIAL ----- FIG. 4-2 G. 320

전륜 구동 커버 / FRONT WHEEL DRIVE PROP COVER ----- FIG. 4-3 G. 380

### ■ 앞차축, 뒷차축 / FRONT, REAR AXLE

앞차축 조립체 / FRONT AXLE ASSY ----- FIG. 5-1 G. 400

앞차축 케이스 / FRONT AXLE CASE ----- FIG. 5-2 G. 400

앞차축 차동장치 / FRONT DIFFERENTIAL ----- FIG. 5-3 G. 400

앞차축 구동장치 / FRONT DRIVE ----- FIG. 5-4 G. 400

뒷차축 최동구동 / REAR AXLE ----- FIG. 5-5 G. 480

### ■ 앞차축, 뒷차축 / FRONT, REAR AXLE

앞, 뒤 타이어 / FRONT & REAR WHEEL (TIRE) ----- FIG. 5-6 G. 490

### ■ 조향 장치 /

타이로드 / TIE ROD ----- FIG. 6-1 G. 610

조향 실린더 및 라인 / STEERING CYLINDER & LINES ----- FIG. 6-2 G. 630

조향 휠 및 칼럼 / STEERING WHEEL & COLUMN ----- FIG. 6-3 G. 630

■ 브레이크 장치 /

브레이크 / BRAKE ----- FIG. 7-1 G. 650  
브레이크 페달 / BRAKE PEDALS ----- FIG. 7-2 G. 670  
주차 브레이크 / PARKING BRAKE PEDAL ----- FIG. 7-3 G. 670

■ 전기 장치 /

전기 배선 / ELECTRICAL WIRING ----- FIG. 8-1 G. 730  
축전지 / BATTERY ----- FIG. 8-2 G. 740  
계기 판넬 / METER PANEL ----- FIG. 8-3 G. 750  
램프 / LAMP ----- FIG. 8-4 G. 760  
배선, 콘트롤러 및 센서 (수평 제어) / WIRE, CON. & SENSOR ----- FIG. 8-5 G. 750

■ 유압 장치 /

유압 하우징 / HYDRAULIC HOUSING ----- FIG. 9-1 G. 820  
리프트 제어밸브 및 링크 / LIFT CONTROL VALVE & LINK ----- FIG. 9-2 G. 822  
TM 제어밸브 / TM CONTROL VALVE ----- FIG. 9-3 G. 822  
유압인출 및 로더밸브 / FRONT OUTLET & LOADER VALVE ----- FIG. 9-4 G. 822  
유압 라인 / HYDRAULIC LINES ----- FIG. 9-5 G. 823  
견인 제어 링크 / DRAFT CONTROL LINK ----- FIG. 9-6 G. 824  
유압 제어 레버 / HYDRULIC CONTROL LEVER ----- FIG. 9-7 G. 825  
유압 실린더 / HYDRAULIC CYLINDER ----- FIG. 9-8 G. 826  
원격 유압 밸브 / REMOTE CONTROL VALVE ----- FIG. 9-9 G. 827  
상부 링크 브라켓트 / UPPER LINK BRACKET ----- FIG. 9-10 G. 828  
드로우바 히치 / DRAWBAR HITCH ----- FIG. 9-11 G. 891  
상부 및 하부 링크 / UPPER & LOWER LINK ----- FIG. 9-12 G. 828  
리프트 로드 / LIFT ROD ----- FIG. 9-13 G. 896  
체크링크 / CHECK LINK ----- FIG. 9-14 G. 896  
수평제어 유압라인 / AUTO LEVELING HYDRAULIC LINE ----- FIG. 9-15 G. 829

■ 외장 / SHEET METAL, INTERIOR

후드 / HOOD ----- FIG. 10-1 G. 830  
마운트 / MOUNT ----- FIG. 10-3 G. 840  
의자 / SEAT ----- FIG. 10-4 G. 850  
출입문 / DOOR ----- FIG. 10-5 G. 862  
전방창, 측방창 / FRONT & SIDE WINDOW ----- FIG. 10-6 G. 863  
후방창 / REAR WINDOW ----- FIG. 10-7 G. 863  
내장재 / INTERIOR ----- FIG. 10-8 G. 864  
에어컨 / AIR CONDITIONER ----- FIG. 10-9 G. 865  
윈도우 와이퍼 / WINDOW WIPER ----- FIG. 10-10 G. 866  
지붕 / ROOF ----- FIG. 10-11 G. 867  
외장재 / EXTERIOR ----- FIG. 10-12 G. 868  
공용품 / COMMON ----- FIG. 10-13 G. 869  
펜더 / FENDER ----- FIG. 10-14 G. 870  
보호구조물 / ROPS ----- FIG. 10-15 G. 880

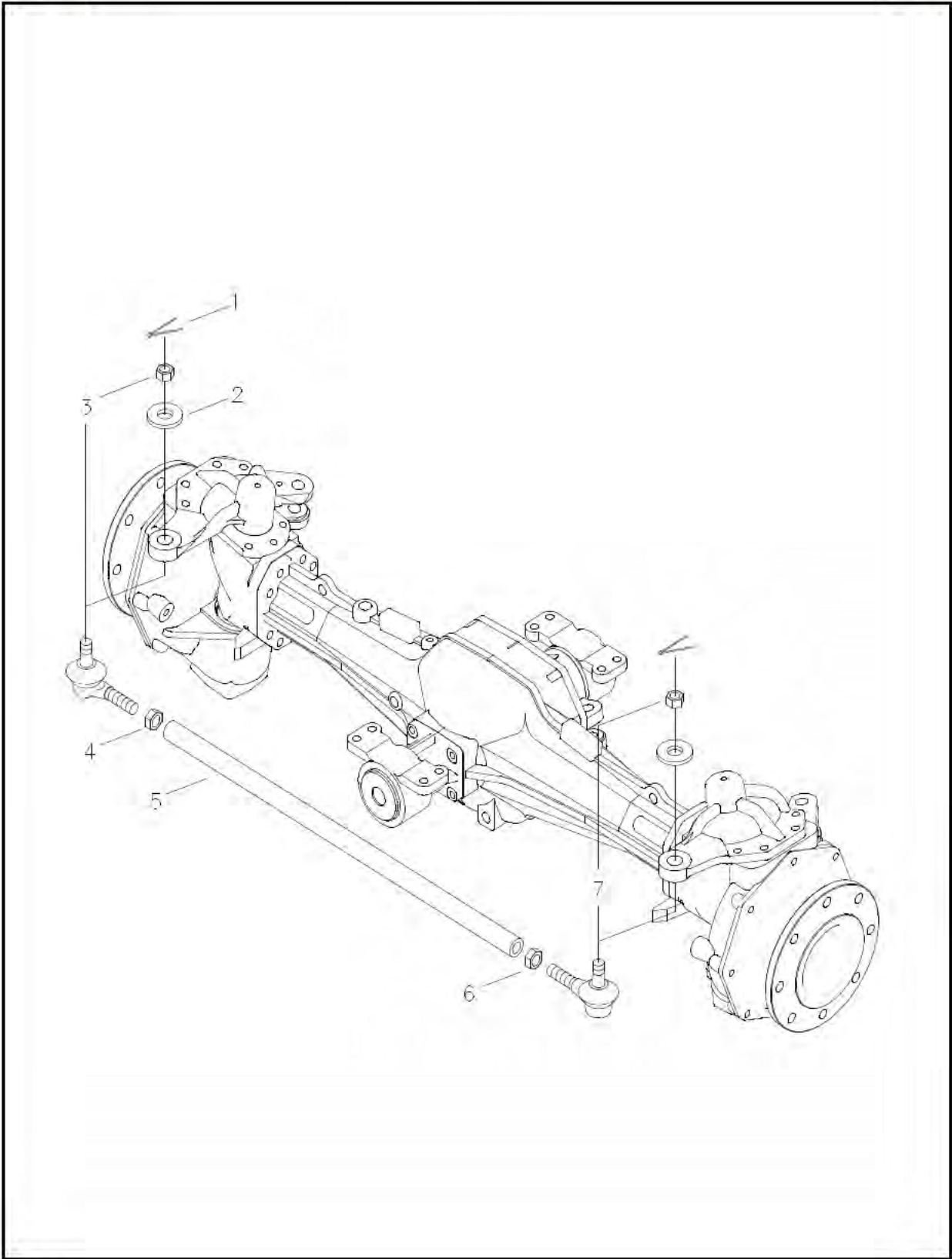
■ 공구, 데칼 /

공구 / TOOLS ----- FIG. 11-1 G. 920  
데칼 / DECAL ----- FIG. 11-2 G. 980

# TIE ROD

FIG. 6-1

G. 610



# TIE ROD

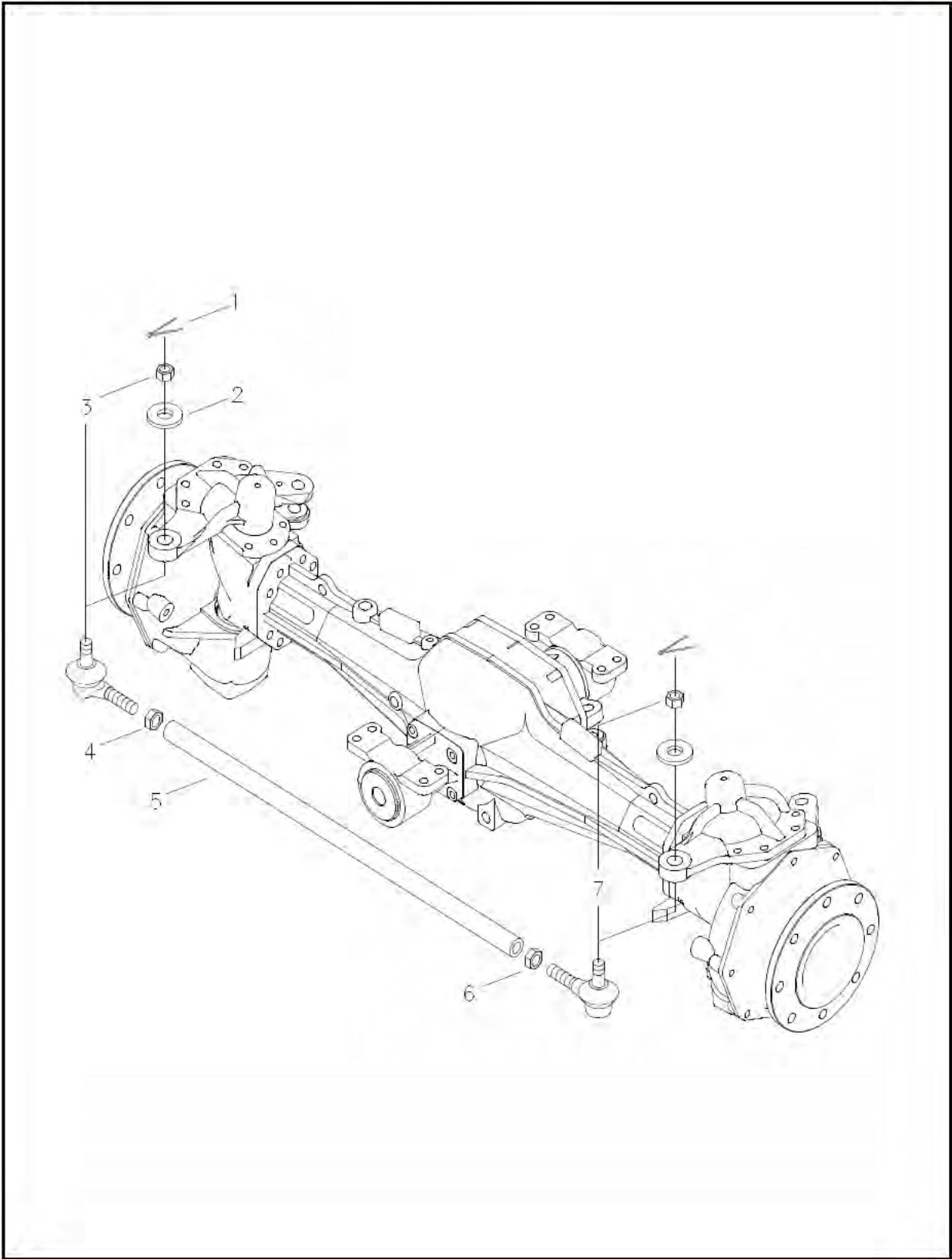
**FIG. 6-1**

NO.	PART NO.	PART NAME & DESCRIPTION		QTY	APP. NO	REM.
1	S441403613	PIN, SPLIT	Φ4×36	2		
2	S365164013	WASHER, PLAIN	3t	2		
3~7	A1610027	TIE ROD ASSY		1		
3	A1610036	END, TIE ROD(R)		1		
4	S306180043	NUT, HEX	M18×1.5	1		
5	A1610028	PIPE, TIE ROD	Φ30	1		
6	A1610016	NUT, HEX(L)	M18×1.5	1		
7	A1610035	END, TIE ROD(L)		1		

# TIE ROD

FIG. 6-1

G. 610



# TIE ROD

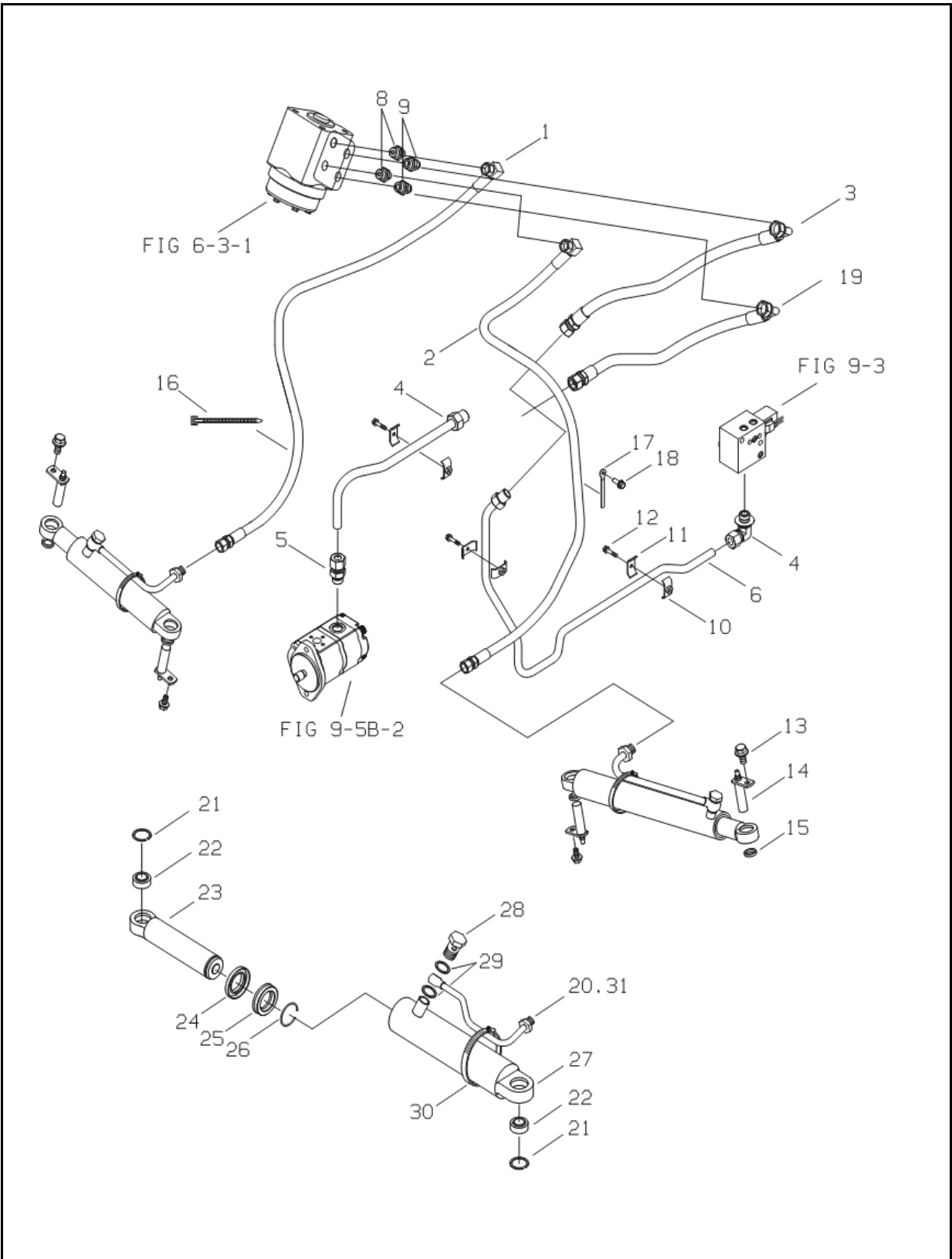
**FIG. 6-1**

NO.	PART NO.	PART NAME & DESCRIPTION		QTY	APP. NO	REM.
1	S441403613	PIN, SPLIT	Φ4×36	2		
2	A1402060	WASHER, PLAIN	3t	2		
3~7	A1610027	TIE ROD ASSY		1		
3	A1610036	END, TIE ROD(R)		1		
4	S306180043	NUT, HEX	M18×1.5	1		
5	A1610028	PIPE, TIE ROD	Φ30	1		
6	A1610016	NUT, HEX(L)	M18×1.5	1		
7	A1610035	END, TIE ROD(L)		1		

# STEERING CYLINDER & LINES

FIG. 6-2B

G. 630





# STEERING CYLINDER & LINES

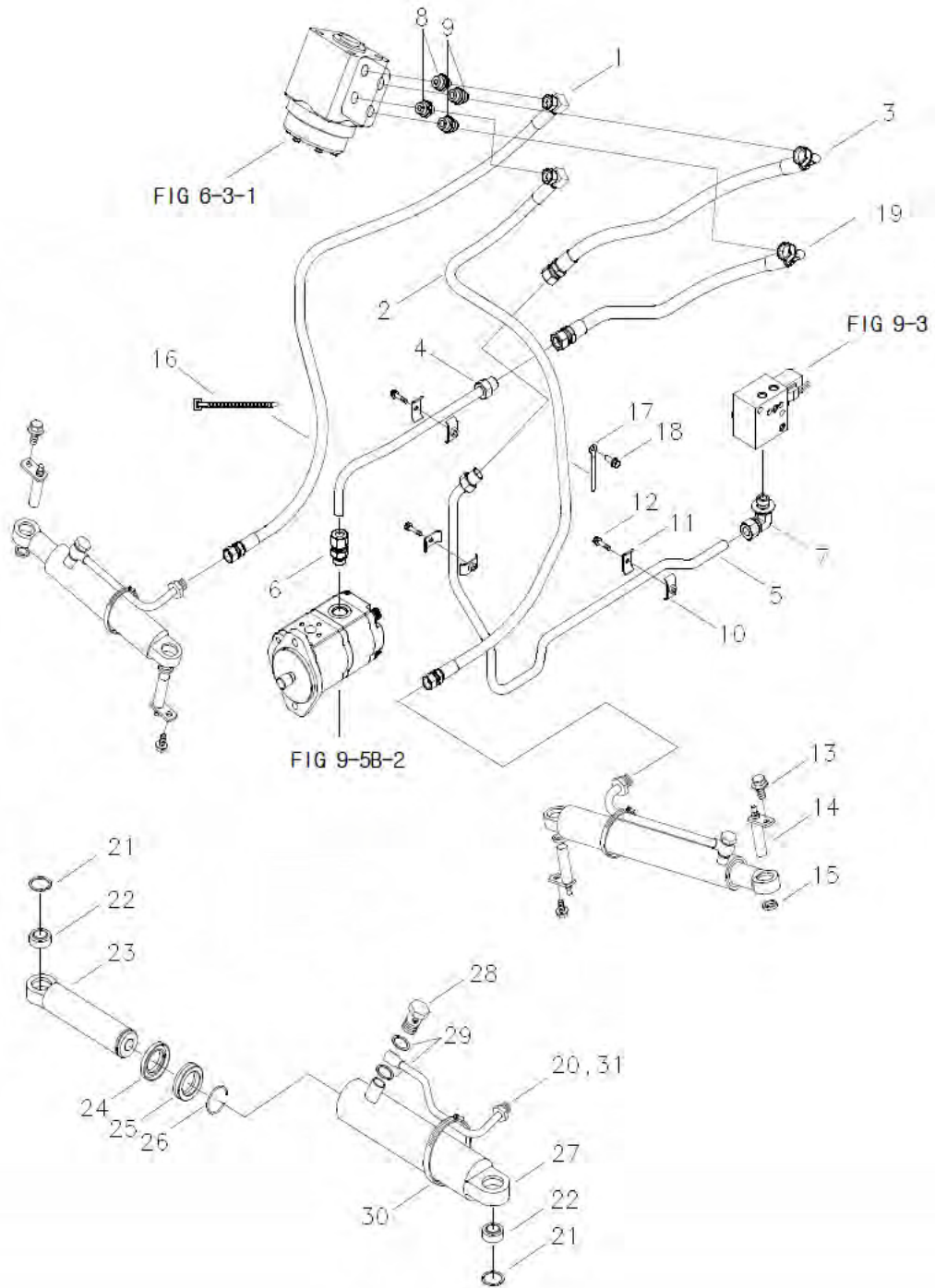
FIG. 6-2B

NO.	PART NO.	PART NAME & DESCRIPTION		QTY	APP. NO	REM.
1	A1630440	HOSE, STR. CYLINDER(RH)		1		
2	A1630439	HOSE, STR. CYLINDER(LH)		1		
3	A1630438	HOSE, STR. PRESSURE		1		
4~5	A1630545	STR. PRESSURE PIPE ASSY		1		
4	A1630546	PIPE, STR. PRESSURE	Φ15×1.5t	1		
5	A1823144	JOINT	BOM12-03G	1		
6~7	A1EMS502	STR. DRAIN PIPE ASSY		1		
6	A1630442	PIPE, STR. DRAIN	Φ15×1.5t	1		
7	A1823092	ELBOW	BOLM15-04G	1		
8	A1630412	JOINT	HOFM-0304G	2		
9	A5001296	JOINT	HOFM-0404G	2		
10	A5001357	CLAMP, PIPE A		3		
11	A5001358	CLAMP, PIPE B		3		
12	S155063033	BOLT, HEX. W/WASHER	M6 X 1.0 X 30L	3		
13	S154102033	BOLT, HEX	M10×1.25×20	4		
14	A1630327	PIN ASSY, CYLINDER		4		
15	A1630135	SPACER	Φ20×5t	4		
16	A0640009	BAND, WIRE		1		
17	A0640103	CLAMP	140L	1		
18	S159082033	BOLT, HEX. W/WASHER	M8 X 1.25 X 20L	1		
19	A1630472	HOSE, STR. PRESSURE		1		
20~30	A1630315	CYLINDER ASSY (L)		1		
21~31	A1630316	CYLINDER ASSY (R)		1		
20	A1630277	PIPE, CYLINDER (L)		1		
21	S813035001	RING, SNAP	D37.5x1.5t	2		
22	A1630159	BUSHING, BALL		2		
23	A1630317	PISTON ROD ASSY	Φ43	1		
24	A1630273	SEAL, DUST	Φ43	1		
25	A1630272	U PACKING	Φ43	1		
26	A1630274	RING, WIRE	Φ2.6	1		
27	A1630269	CYLINDER	Φ50	1		
28	A1630201	BOLT, UNION	PF3/8	1		
29	A1630195	WASHER, COPPER	Φ16.8×1t	2		
30	A1970201J	CLAMP	Φ46~Φ78	1		
31	A1630278	PIPE, CYLINDER (R)		1		

# STEERING CYLINDER & LINES

FIG. 6-2B

G. 630



# STEERING CYLINDER & LINES

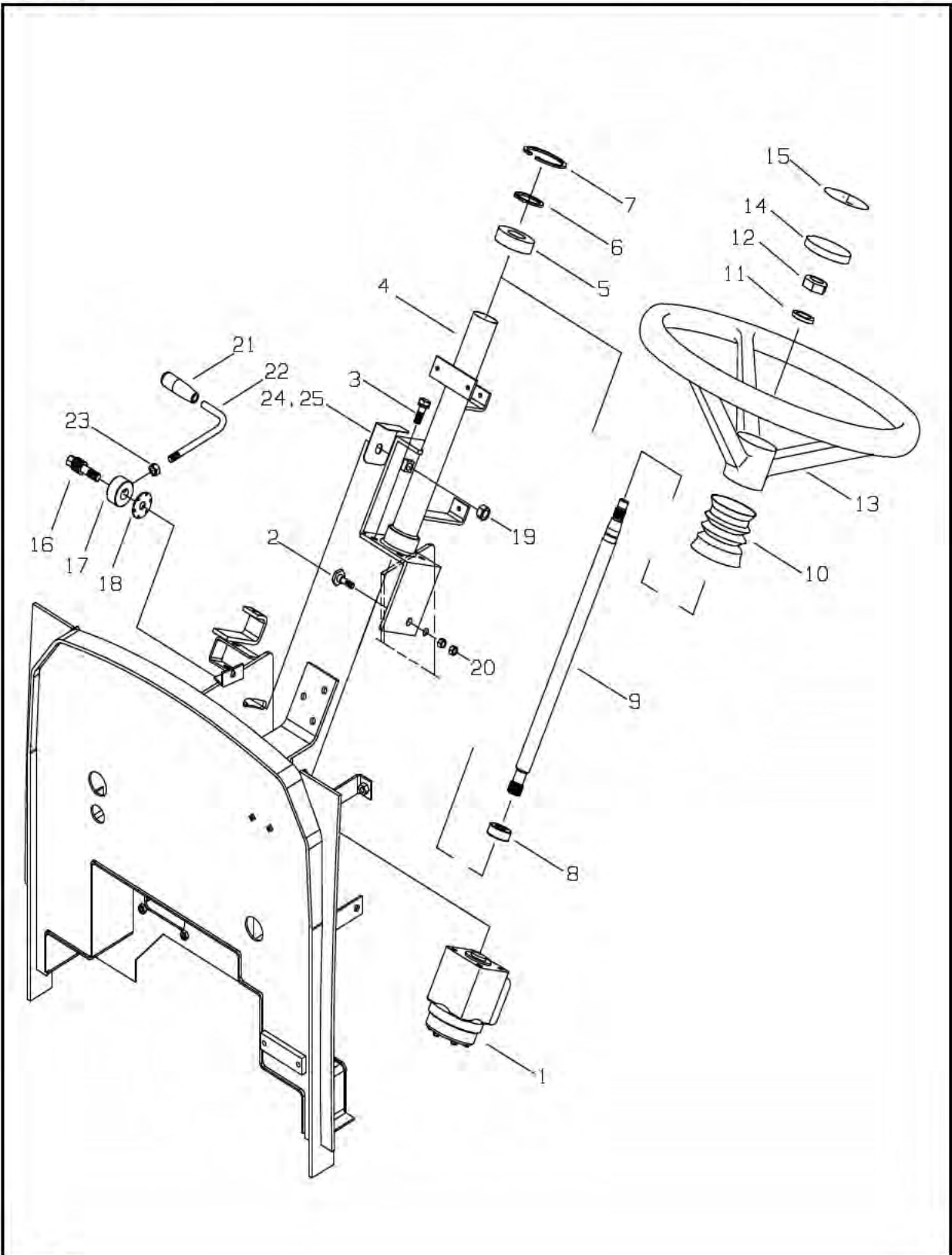
**FIG. 6-2B**

NO.	PART NO.	PART NAME & DESCRIPTION	QTY	APP. NO	REM.
1	A1630440	HOSE, STR. CYLINDER(RH)	1		
2	A1630439	HOSE, STR. CYLINDER(LH)	1		
3	A1630438	HOSE, STR. PRESSURE	1		
4	A1630546	PIPE, STR. PRESSURE	1		
5	A1630442	PIPE, STR. DRAIN	1		
6	A1823144	JOINT	1		
7	A1823092	ELBOW	1		
8	A1630412	JOINT	2		
9	A5001296	JOINT	2		
10	A5001357	CLAMP, PIPE A	3		
11	A5001358	CLAMP, PIPE B	3		
12	S155063033	BOLT, HEX. W/WASHER	3		
13	S154102033	BOLT, HEX	4		
14	A1630327	PIN ASSY, CYLINDER	4		
15	A1630135	SPACER	4		
16	A0640009	BAND, WIRE	1		
17	A0640103	CLAMP	1		
18	S159082033	BOLT, HEX. W/WASHER	1		
19	A1630472	HOSE, STR. PRESSURE	1		
20~30	A1630373	CYLINDER ASSY (L)	1		
21~31	A1630374	CYLINDER ASSY (R)	1		
20	A1630277	PIPE, CYLINDER (L)	1		
21	S813035001	RING, SNAP	2		
22	A1630259	BUSHING, BALL	2		
23	A1630376	RAM ASSY, CYLINDER	1		
24	A1630218	SEAL, DUST	1		
25	A1630217	U PACKING	1		
26	A1630184	RING, WIRE	1		
27	A1630375	CYLINDER	1		
28	A1630201	BOLT, UNION	1		
29	A1630195	WASHER, COPPER	2		
30	A1970201J	CLAMP	1		
31	A1630278	PIPE, CYLINDER (R)	1		

# STEERING WHEEL & COLUMN

FIG. 6-3

G. 630



# STEERING WHEEL & COLUMN

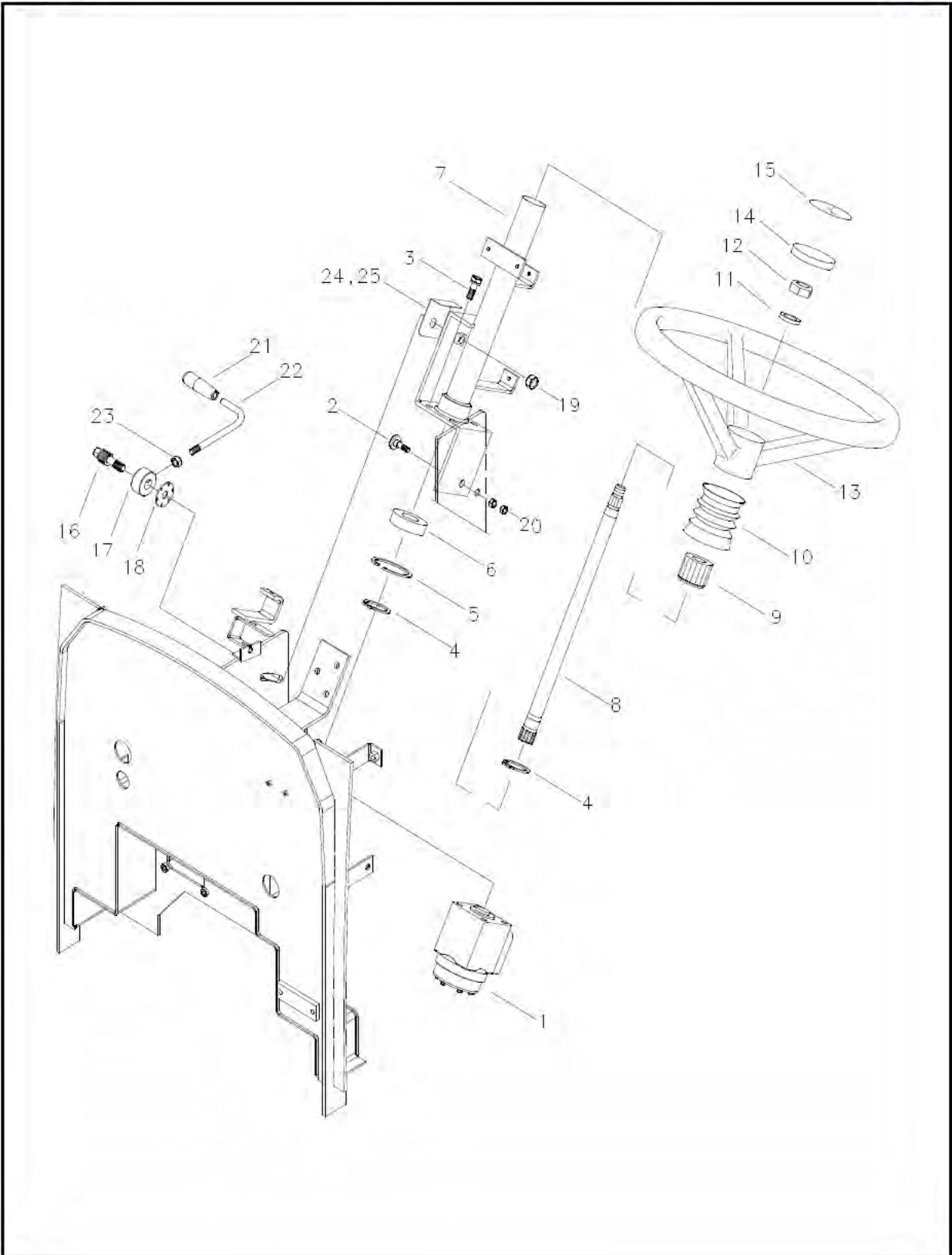
FIG. 6-3

NO.	PART NO.	PART NAME & DESCRIPTION		QTY	APP. NO	REM.
1	A1630585	STEERING UNIT	80cc/rev	1		
2	A1630417	BOLT, TILTING HINGE	M8×1.25	1		
3	S153102533	BOLT, HEX	M10×1.5×25	4		
4~9	A1630591	STR, COLUMN ASSY		1		
4	A1630592	COLUMN, STEERING	OD42.7	1		
5	A0869044	BEARING	6904DD (OD37×ID20×9)	1		
6	S810020001	RING, SNAP	Φ18.5x1.2	1		
7	S811037001	RING, SNAP(C)H	Φ39.8x1.5	1		
8	A1630622	SEAL, STEERING		1		
9	A1630593	SHAFT, STEERING	Φ22	1		
10	A1630127	COVER, RUBBER		1		
11	S361140013	WASHER, SPR	Φ14.2×3.5	1		
12	S314140013	NUT, HEX	M14×1.5	1		
13~15	A5002130	STR. WHEEL ASSY		1		
13	A5001458	WHEEL, STEERING		1		
14	A5000583	CAP, WHEEL		1		
15	A1981077	DECAL, LS MARK		1		
16	A1630418	BOLT, TILTING GUIDE	M12x1.25	1		
17	A1630420	ARM, TILTING LOCKING		1		
18	A1630419	PLATE, TILTING LOCKING		1		
19	S306120013	NUT, HEX	M12x1.25	1		
20	S313080013	NUT, HEX	M8×1.25	2		
21	A1970242	GRIP, VALVE LEVER		1		
22	A1630421	LEVER, TILTING LOCKING		1		
23	S301100013	NUT, HEX	M10x1.25	1		
24	A1630464	LINER, STR. TILTING	0.5T	AR		
25	A1630465	LINER, STR. TILTING	1T	AR		

# STEERING WHEEL & COLUMN

FIG. 6-3

G. 630



# STEERING WHEEL & COLUMN

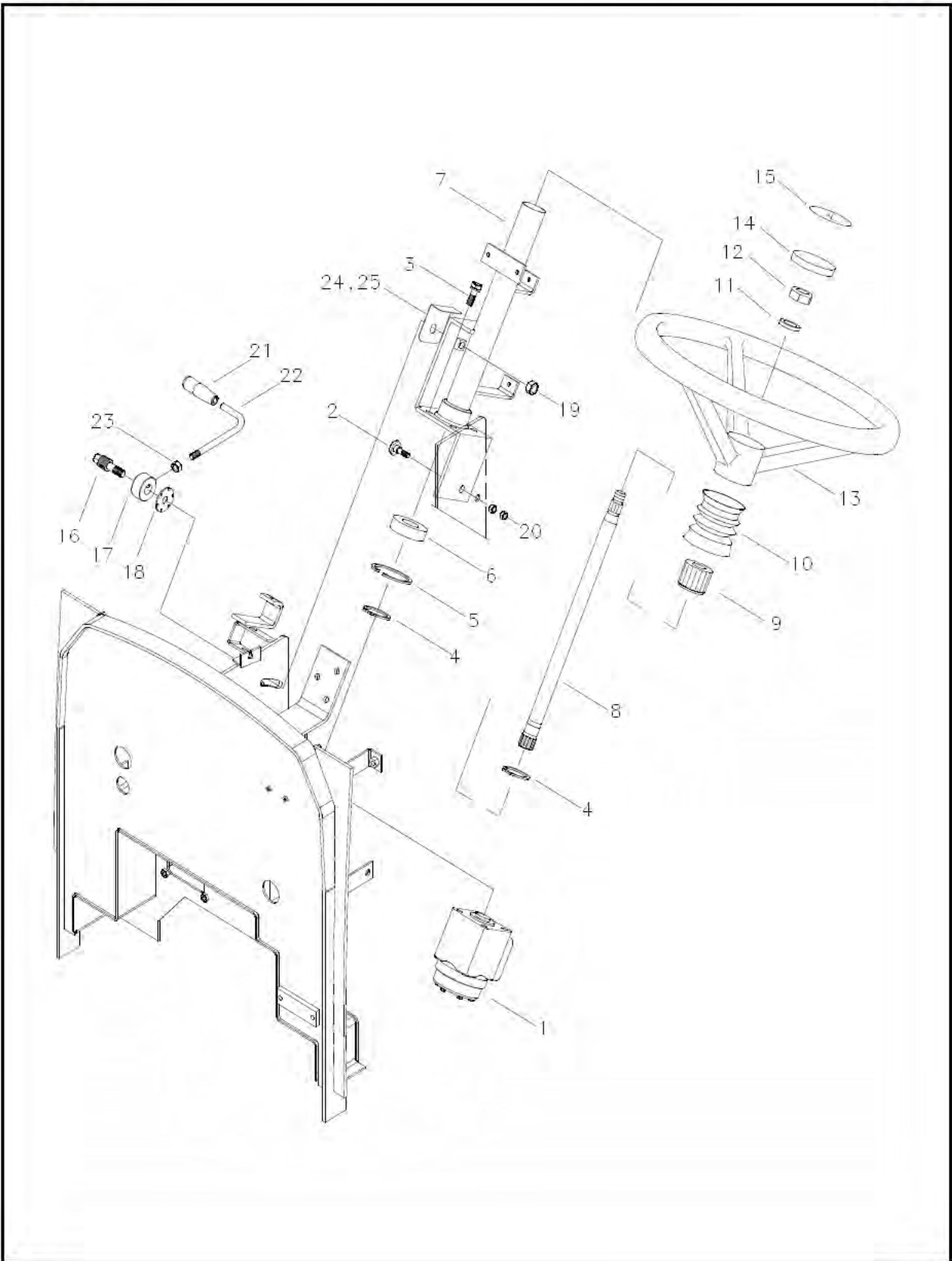
**FIG. 6-3**

NO.	PART NO.	PART NAME & DESCRIPTION		QTY	APP. NO	REM.
1	A1630585	STEERING UNIT	80cc/rev	1		
2	A1630417	BOLT, TILTING HINGE	M8×1.25	1		
3	S153102533	BOLT, HEX	M10×1.5×25	4		
4~9	A1630414	STR, COLUMN ASSY		1		
4	S810020001	RING, SNAP	Φ18.5x1.2	2		
5	S811042001	RING, SNAP(C)H	Φ45.5x1.75	1		
6	A1970233	BEARING	6004DD (OD90×ID40×23)	1		
7	A1630415	COLUMN, STEERING	OD42.7	1		
8	A1630416	SHAFT, STEERING	Φ22	1		
9	A1630153	SEAL, STEERING		1		
10	A1630127	COVER, RUBBER		1		
11	S361140013	WASHER, SPR	Φ14.2×3.5	1		
12	S314140013	NUT, HEX	M14×1.5	1		
13~15	A5002130	STR. WHEEL ASSY		1		
13	A5001458	WHEEL, STEERING		1		
14	A5000583	CAP, WHEEL		1		
15	A1980437	DECAL, LG MARK		1		
16	A1630418	BOLT, TILTING GUIDE	M12x1.25	1		
17	A1630420	ARM, TILTING LOCKING		1		
18	A1630419	PLATE, TILTING LOCKING		1		
19	S306120013	NUT, HEX	M12x1.25	1		
20	S313080013	NUT, HEX	M8×1.25	2		
21	A1970242	GRIP, VALVE LEVER		1		
22	A1630421	LEVER, TILTING LOCKING		1		
23	S301100013	NUT, HEX	M10x1.25	1		
24	A1630464	LINER, STR. TILTING	0.5T	AR		
25	A1630465	LINER, STR. TILTING	1T	AR		

# STEERING WHEEL & COLUMN

FIG. 6-3

G. 630





# STEERING WHEEL & COLUMN

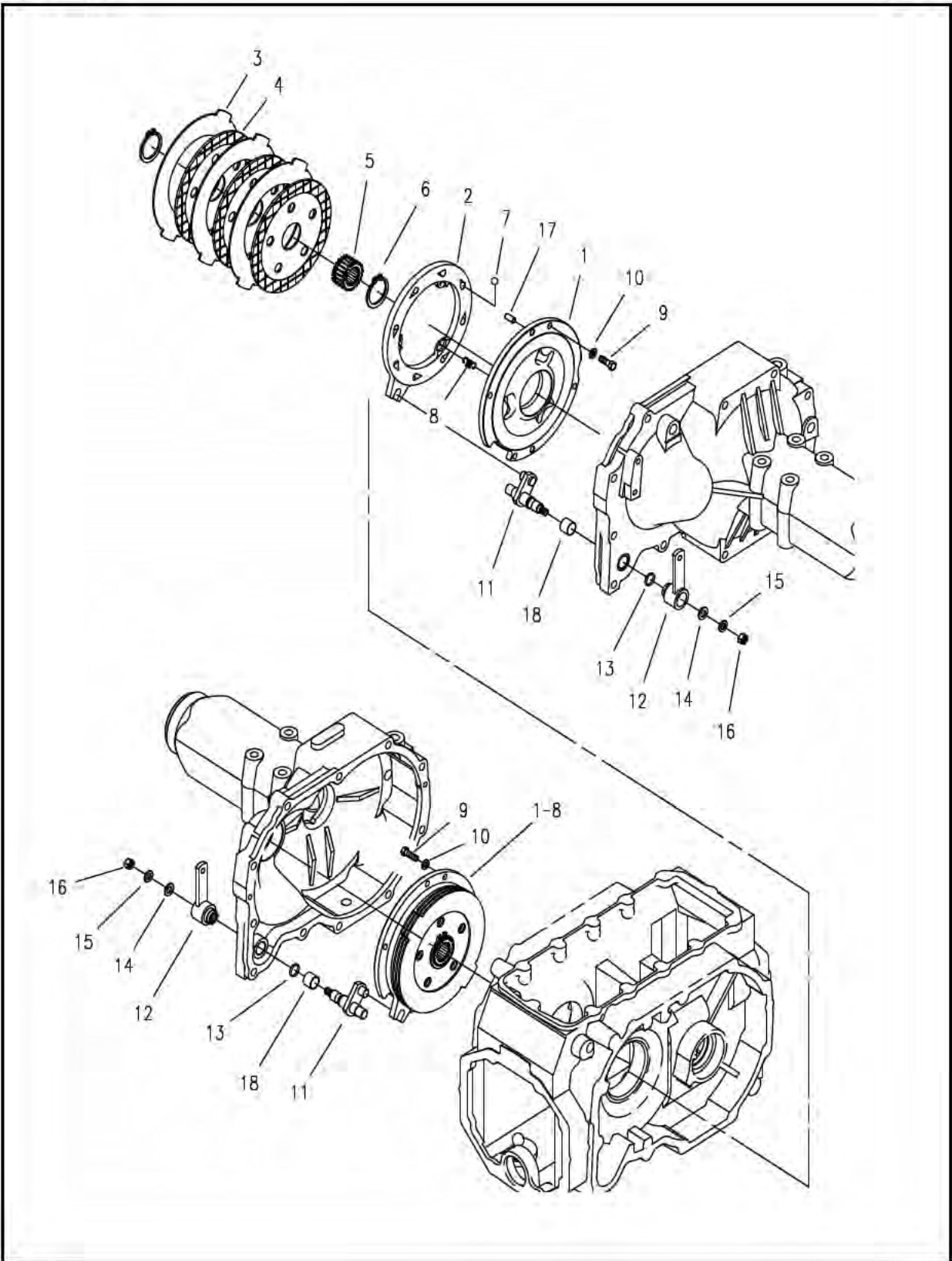
**FIG. 6-3**

NO.	PART NO.	PART NAME & DESCRIPTION		QTY	APP. NO	REM.
1	A1630367	STEERING UNIT	80cc/rev	1		
2	A1630417	BOLT, TILTING HINGE	M8×1.25	1		
3	S153102533	BOLT, HEX	M10×1.5×25	4		
4~9	A1630414	STR, COLUMN ASSY		1		
4	S810020001	RING, SNAP	Φ18.5x1.2	2		
5	S811042001	RING, SNAP(C)H	Φ45.5x1.75	1		
6	A1970233	BEARING	6004DD (OD90×ID40×23)	1		
7	A1630415	COLUMN, STEERING	OD42.7	1		
8	A1630416	SHAFT, STEERING	Φ22	1		
9	A1630153	SEAL, STEERING		1		
10	A1630127	COVER, RUBBER		1		
11	S361140013	WASHER, SPR	Φ14.2×3.5	1		
12	S314140013	NUT, HEX	M14×1.5	1		
13~15	A5002130	STR. WHEEL ASSY		1		
13	A5001458	WHEEL, STEERING		1		
14	A5000583	CAP, WHEEL		1		
15	A1980437	DECAL, LG MARK		1		
16	A1630418	BOLT, TILTING GUIDE	M12x1.25	1		
17	A1630420	ARM, TILTING LOCKING		1		
18	A1630419	PLATE, TILTING LOCKING		1		
19	S306120013	NUT, HEX	M12x1.25	1		
20	S313080013	NUT, HEX	M8×1.25	2		
21	A1970242	GRIP, VALVE LEVER		1		
22	A1630421	LEVER, TILTING LOCKING		1		
23	S301100013	NUT, HEX	M10x1.25	1		
24	A1630464	LINER, STR. TILTING	0.5T	AR		
25	A1630465	LINER, STR. TILTING	1T	AR		

# BRAKE

FIG. 7-1A

G. 650



# BRAKE

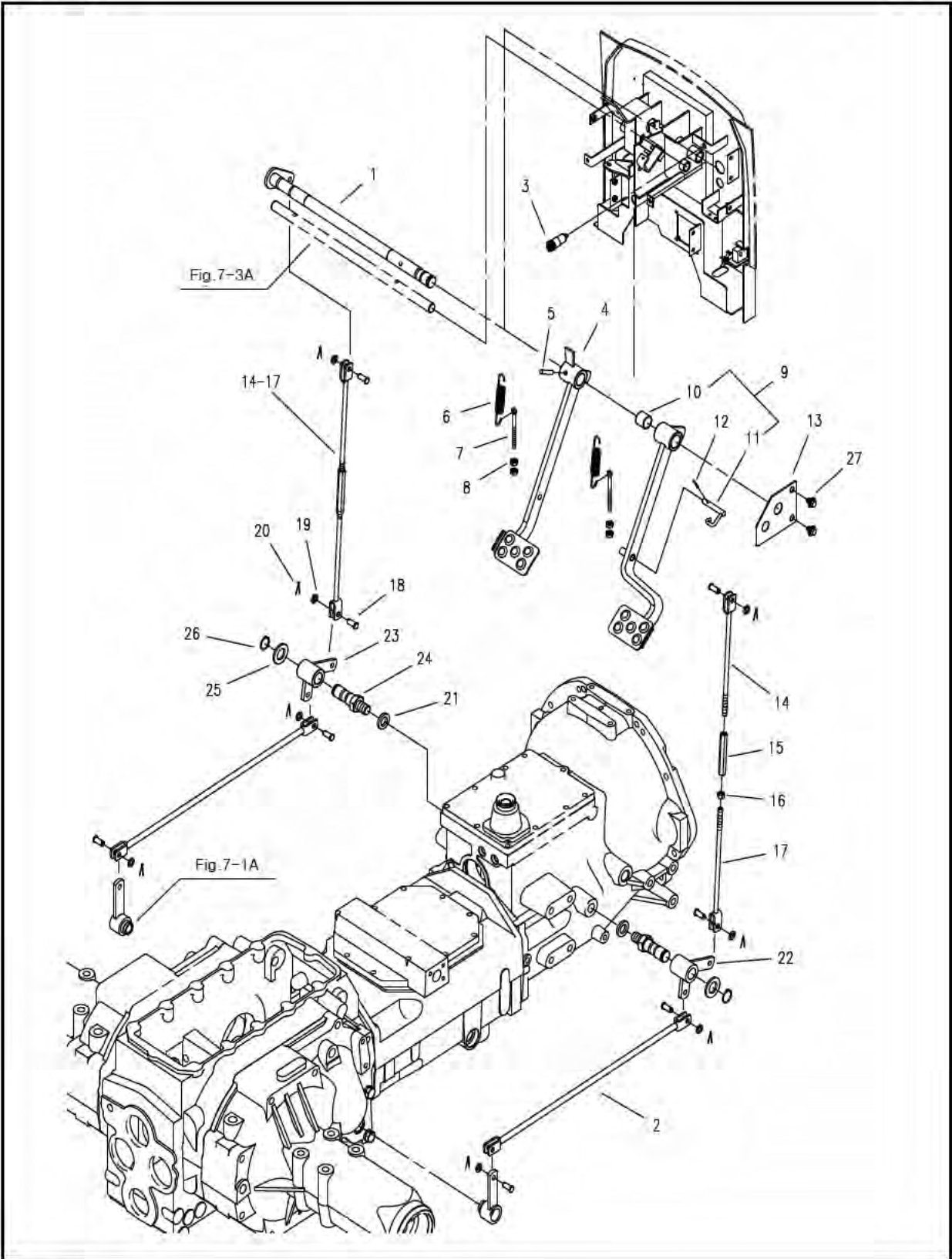
**FIG. 7-1A DO**

NO.	PART NO.	PART NAME & DESCRIPTION		QTY	APP. NO	REM.
1-8	A1650069	BRAKE ASSY (LH)		1		
	A1650070	BRAKE ASSY (RH)		1		
1	A1650082	PLATE, BALL (LH)		1		
	A1650083	PLATE, BALL (RH)		1		
2	A1653054	PLATE, CAM (LH)		1		
	A1653055	PLATE, CAM (RH)		1		
3	A1650107	PLATE, PRESSURE		3		
4	A1653063	DISC, PAPER		3		
5	A1653057	BOSS, SPLINE		1		
6	S810058001	RING, SNAP	D58x2t	2		
7	3A1653007	BALL, STEEL	1/2"	8		
8	3A1653010	SPRING		3		
9	S107103043	BOLT, HEX. SMALL	M10x1.25x30L	8		
10	S361100013	WASHER, SPR 1-TY	OD18.4xID10.2x2.5t	8		
11	A1653058	ARM, BRAKE INNER		2		
12	A1650099	LEVER, BRAKE OUTER		1		
	A1650100	LEVER, BRAKE OUTER		1		
13	S801021010	O-RING(P)	P21(D21xW2.4)	2		
14	S364120053	WASHER, PLN F-RD	OD24xID13x2.5	2		
15	S361120013	WASHER, SPR. 1-TY	OD21.5xID12.2x3	2		
16	S314120013	NUT, HEX. S. 2-TY	M12x1.25	2		
17	S423102010	PIN, PAR. A-TY	D10x20L	4		

# BRAKE PEDALS

FIG. 7-2A

G. 670



# BRAKE PEDALS

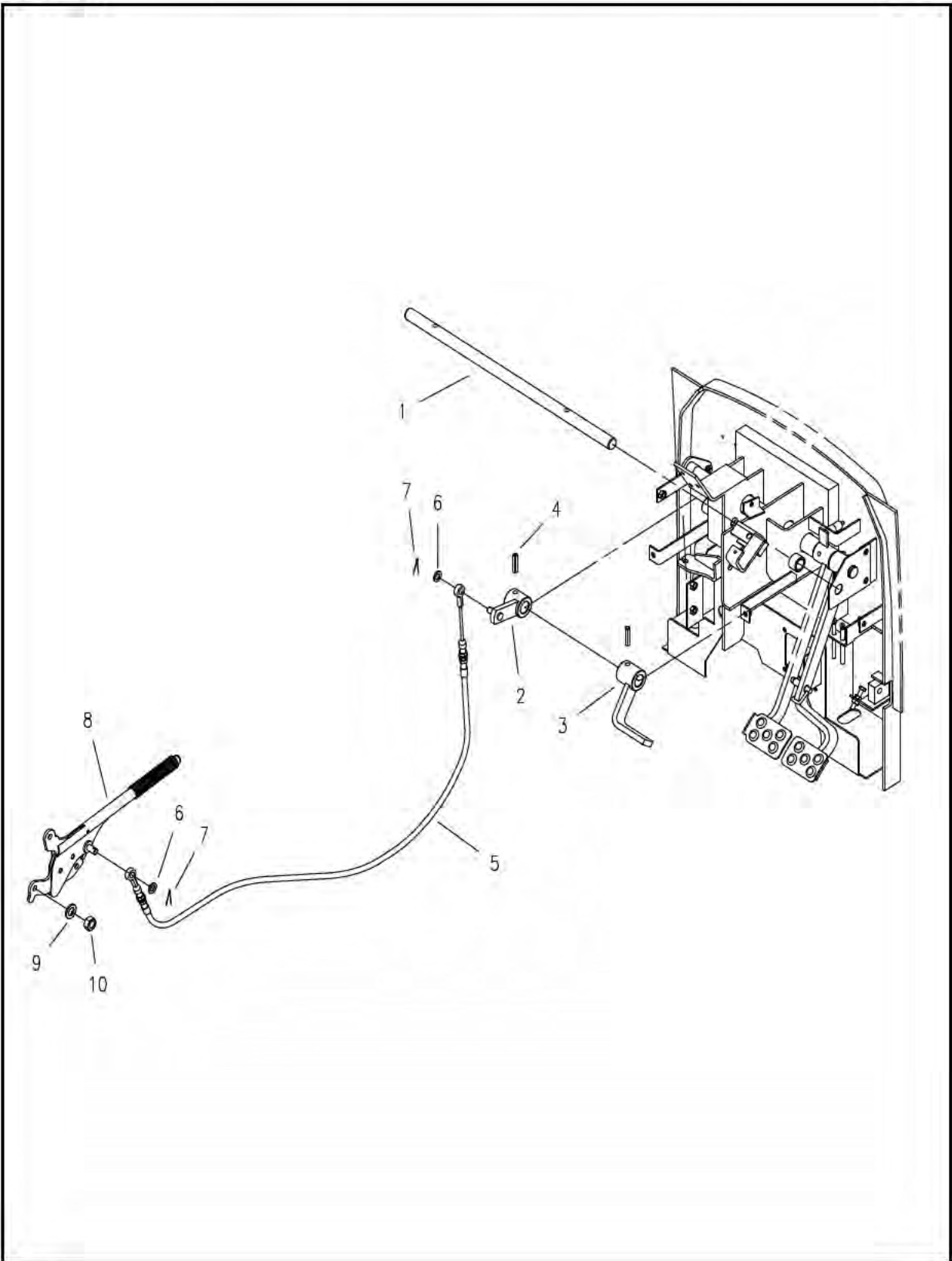
**FIG. 7-2A DO, VA**

NO.	PART NO.	PART NAME & DESCRIPTION	QTY	APP. NO	REM.
1	A1670233	SHAFT, PEDAL	1		
2	A1670261	ROD, BRAKE	2		
3	A0740010	SWITCH	1		
4	A1670234	PEDAL, BRAKE(LH)	1		
5	S445084012	PIN, SPR. U-TY	1		
6	A1670255	SPRING	2		
7	A1260073	BOLT, ADJUSTER	2		
8	S301080043	NUT, HEX	4		
9	A1670235	PEDAL, BRAKE(RH)	1		
10	A0677825	BUSHING	2		
11	A1670223	PIN, BRAKE LOCK	1		
12	S446032510	PIN, SPRING	1		
13	A1670265	BRACKET, PEDAL	1		
14-17	A1670272	BRAKE ROD ASSY	2		
14	A1670273	ROD, BRAKE	1		
15	A1260078	ADJUSTER, CONTROL	1		
16	S314100013	NUT, HEX	1		
17	A1670251	ROD, BRAKE	1		
18	A1670118	PIN	8		
19	S364100013	WASHER, PLN	8		
20	S441252013	PIN, COTTER	8		
21	S361200013	WASHER, SPR.	2		
22	A1670263	ARM, BRAKE(RH)	1		
23	A1670262	ARM, BRAKE(LH)	1		
24	A1670264	SHAFT, BRAKE ARM	2		
25	S363240013	WASHER, PLN. F-RD.	2		
26	S810025001	RING, SNAP	2		
27	S159081633	BOLT, HEX. W/WASHER	2		

# PARKING BRAKE PEDAL

FIG. 7-3A

G. 670



# PARKING BRAKE PEDAL

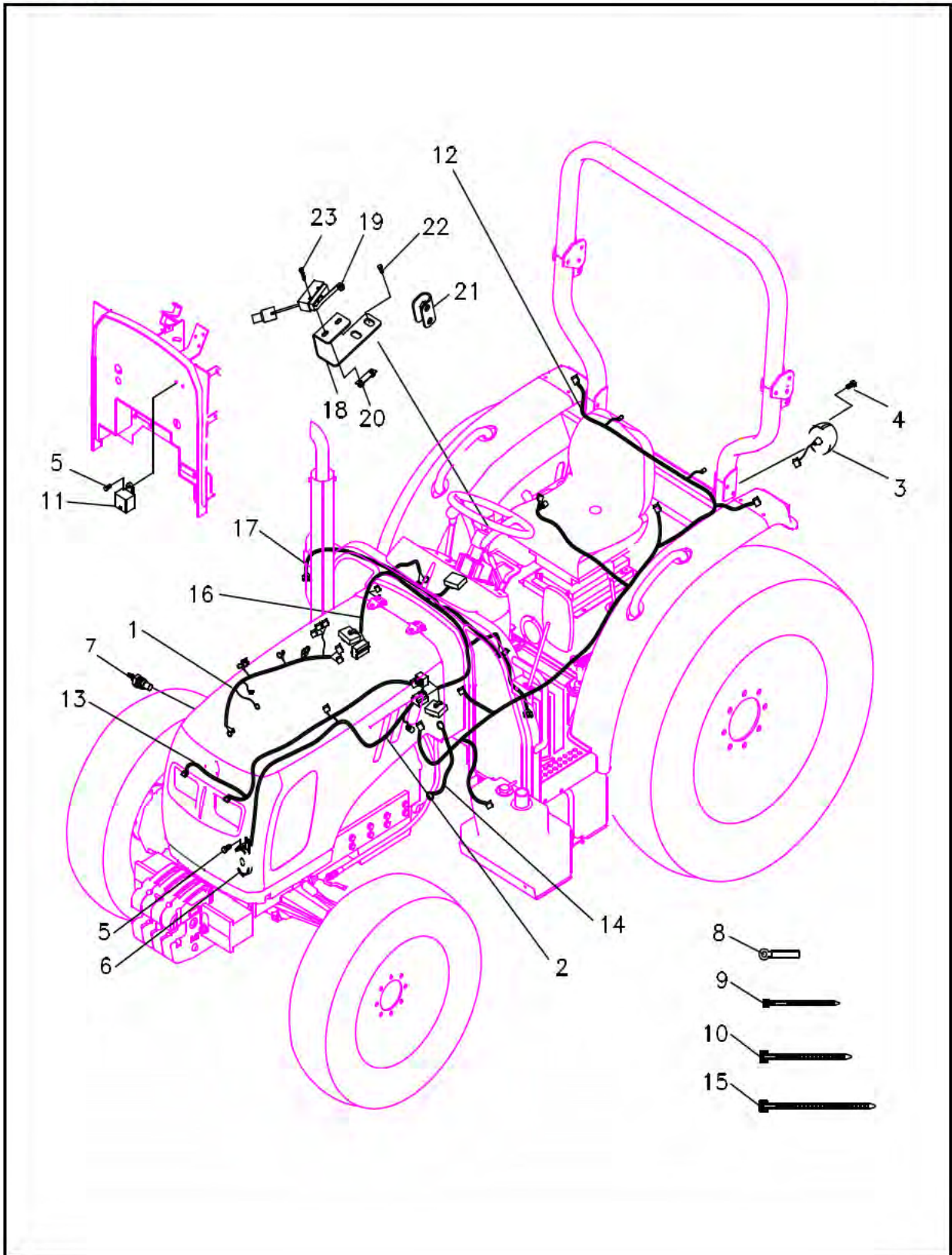
**FIG. 7-3A DO, VA**

NO.	PART NO.	PART NAME & DESCRIPTION		QTY	APP. NO	REM.
1	A1670266	ROD, PEDAL STOPPER		1		
2	A1670267	ARM, P-BRAKE A		1		
3	A1670268	ARM, P-BRAKE B		1		
4	S446083612	PIN, SPR. W-TY	Φ8.0x83L	2		
5	A1670269	WIRE, P-BRAKE		1		
6	S364100013	WASHER, PLAIN	OD18xID10.5x2t	2		
7	S441252013	PIN, SPLIT	D3.0x20L	2		
8	A1670270	PARKING BRAKE ASSY		1		
9	S361080013	WASHER, SPR. 1-TY	OD15.4xID8.2x2.0t	3		
10	S345080013	NUT, HEX. 2-TY	M8x1.25	3		

# ELECTRICAL WIRING

FIG. 8-1A-1

G. 730





# ELECTRICAL WIRING

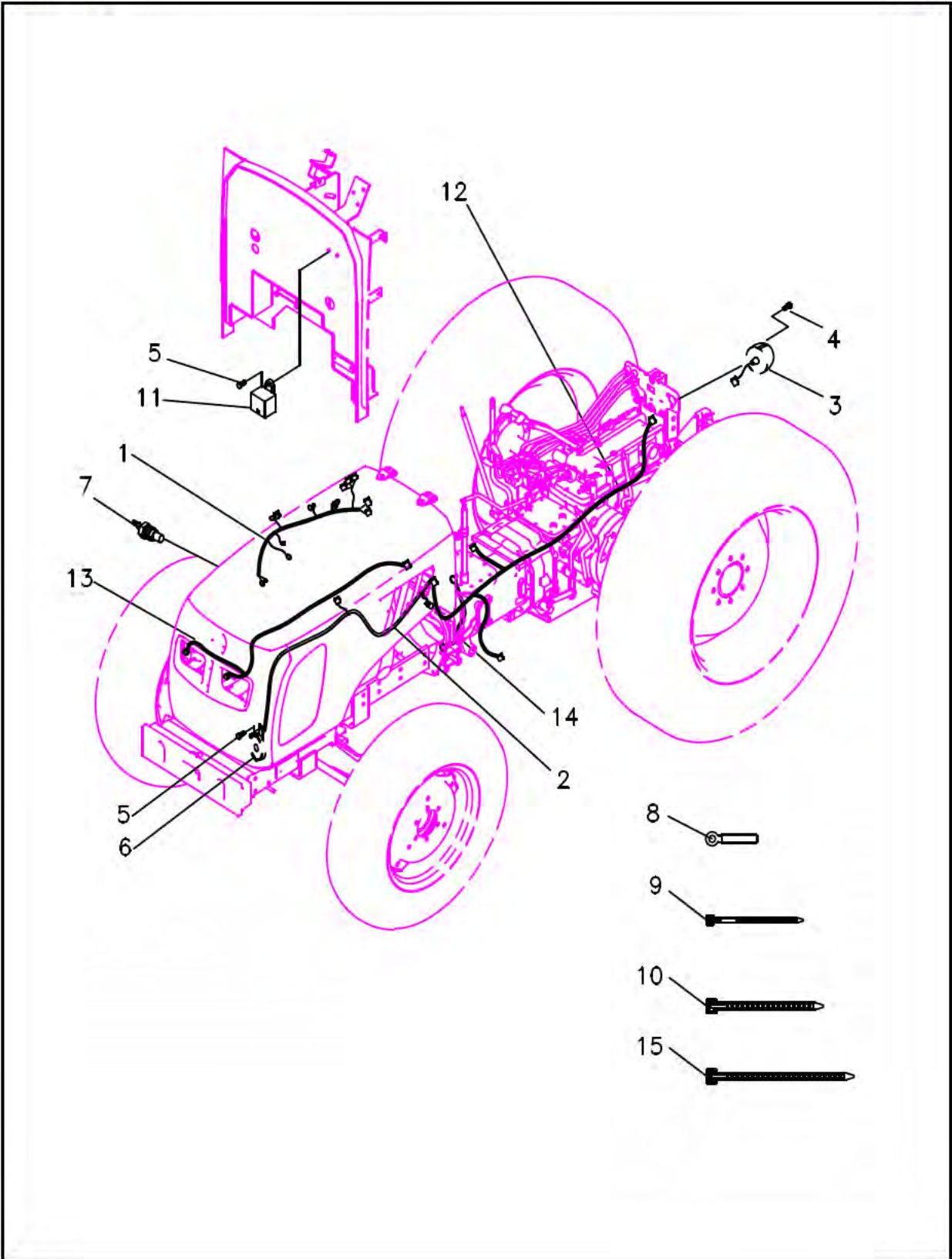
**FIG. 8-1A-1 DO (F)**

NO.	PART NO.	PART NAME & DESCRIPTION		QTY	APP. NO	REM.
1	A1730248	HARNESS, ENGINE		*		
	A1730249	HARNESS, ENGINE		1		
2	A1730184	HARNESS, FRONT		*		
	A1730187	HARNESS, FRONT		1		
3	A1730144	7-POLE CONNECTOR ASSY		1		
4	S226503511	SCREW, W/WASHER	M5x0.8x35L	3		
5	S159062033	BOLT, HEX. W/WASHER	M6x1.0x20L	2		
6	A5002054	HORN ASSY		1		
7	3A1750017	UNIT, WATER TEMP		1		
8	A0640103	CLAMP		6		
9	A0640028	BAND, WIRE		5		
10	A0640009	BAND, WIRE		5		
11	Q1800011	RELAY, GLOW		1		
12	A1730236	HARNESS, MIDDLE		1		
13	A1730157	HARNESS, LIGHT		1		
14	A1730185	WIRE, EARTH		1		
15	A0640083	BAND, WIRE		3		
16	A1866064	HARNESS, PANEL		1		
17	A1866061	HARNESS, FRONT LAMP		1		
18	A1750272	BRACKET, PTO LEVER SWITCH		1		
19	A1750229	SWITCH, PTO LEVER		1		
20	A1750104	PLATE		1		
21	A5002085	BRACKET, CONTROL SWITCH		1		
22	S155082033	BOLT, HEX. W/WASHER	M8x1.25x20L	2		
23	S227403011	SCREW, W/WASHER	M4x0.7x30L	2		

# ELECTRICAL WIRING

FIG. 8-1B

G. 730



# ELECTRICAL WIRING

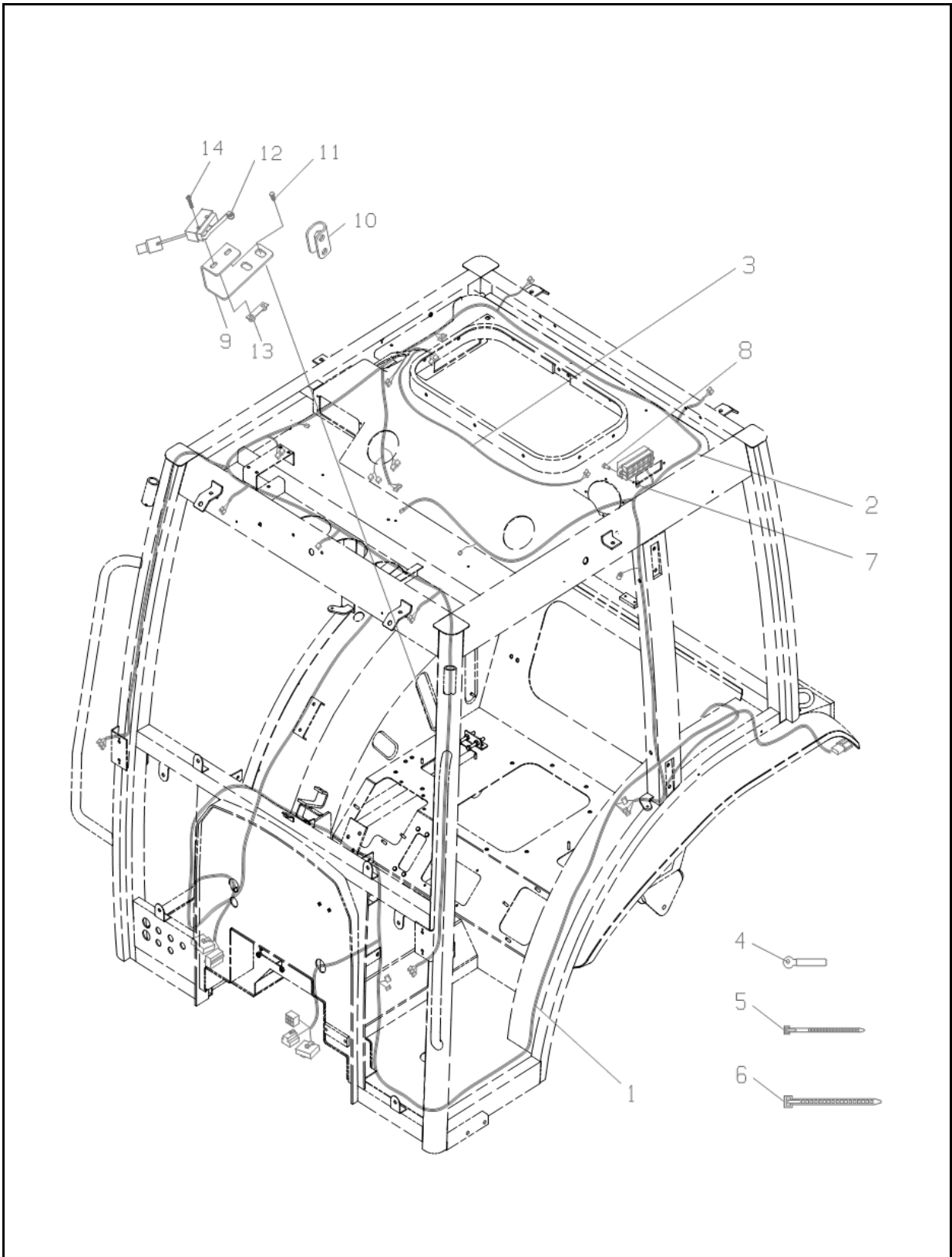
**FIG. 8-1B DO (C)**

NO.	PART NO.	PART NAME & DESCRIPTION		QTY	APP. NO	REM.
1	A1730248	HARNESS, ENGINE		*		
	A1730249	HARNESS, ENGINE		1		
2	A1730184	HARNESS, FRONT		*		
	A1730187	HARNESS, FRONT		1		
3	A1730144	7-POLE CONNECTOR ASSY		1		
4	S226503511	SCREW, W/WASHER	M5x0.8x35L	3		
5	S159062033	BOLT, HEX. W/WASHER	M6x1.0x20L	2		
6	A5002054	HORN ASSY		1		
7	3A1750017	UNIT, WATER TEMP		1		
8	A0640103	CLAMP		6		
9	A0640028	BAND, WIRE		5		
10	A0640009	BAND, WIRE		5		
11	Q1800011	RELAY, GLOW		1		
12	A1730188	HARNESS, MIDDLE		1		
13	A1730157	HARNESS, LIGHT		1		
14	A1730185	WIRE, EARTH		1		
15	A0640083	BAND, WIRE		3		

# ELECTRICAL WIRING

FIG. 8-1D

G. 866



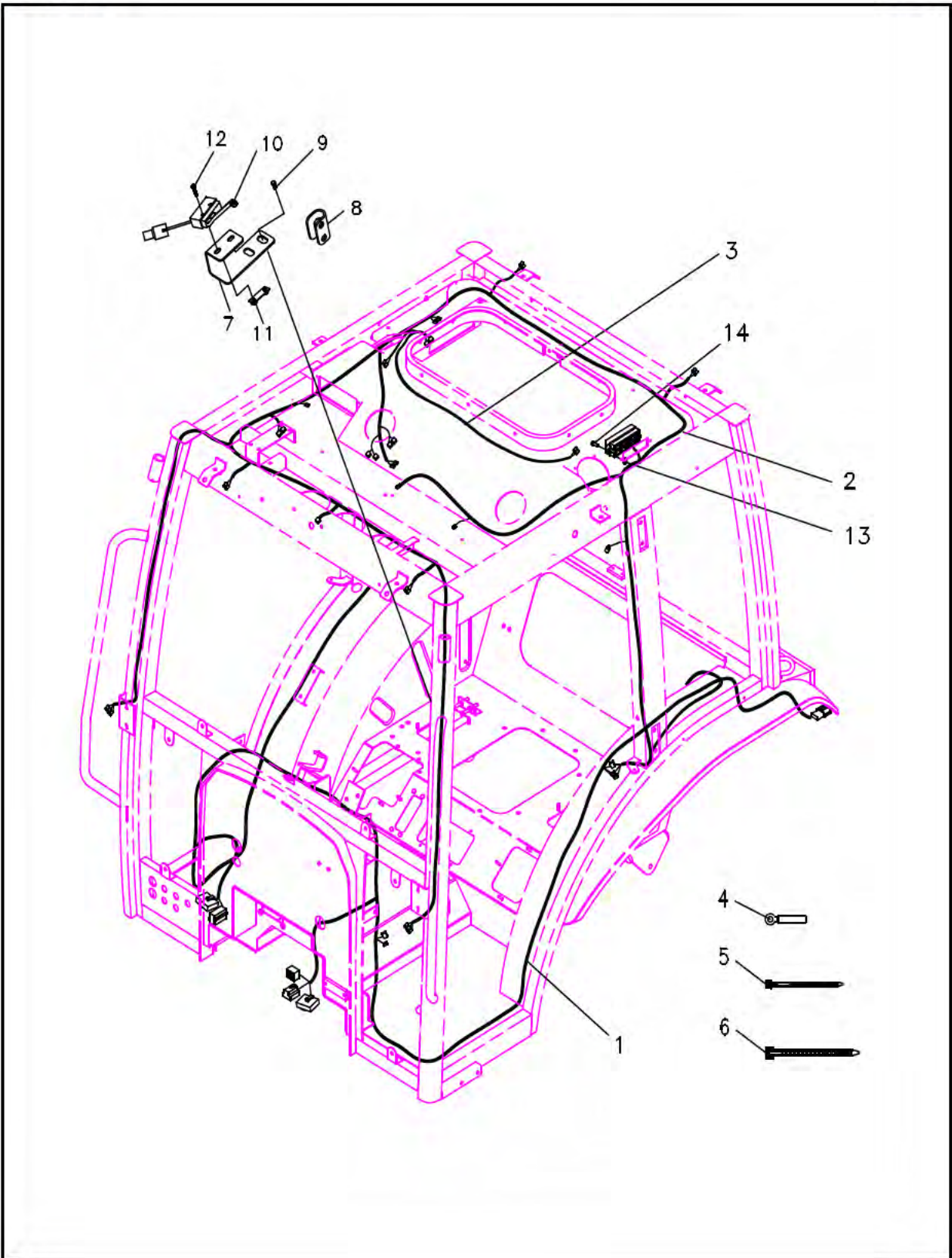
# ELECTRICAL WIRING

FIG. 8-1D		DO, AG		( C )		
NO.	PART NO.	PART NAME & DESCRIPTION		QTY	APP. NO	REM.
1	A1866065	HARNESS, PANEL		1		
2	A1866046	HARNESS, CABIN		1		
3	A1866047	WIRE, AUDIO SPEAKER		1		
4	A0640015	CLAMP		2		
5	A0640028	BAND, WIRE		2		
6	A0640009	BAND, WIRE		4		
7	S345050013	NUT, FLANGE B-TY.	M5x0.8P	2		
8	S227503011	SCREW, W/WASHER	M5x0.8x30L	2		
9	A1750272	BRACKET, PTO LEVER SWITCH		1		
10	A5002085	BRACKET, CONTROL SWITCH		1		
11	S155082033	BOLT, HEX. W/WASHER	M8x1.25x20L	2		
12	A1750229	SWITCH, PTO LEVER		1		
13	A1750104	PLATE		1		
14	S227403011	SCREW, W/WASHER	M4x0.7x30L	2		

# ELECTRICAL WIRING

FIG. 8-1C

G. 866



# ELECTRICAL WIRING

**FIG. 8-1C**

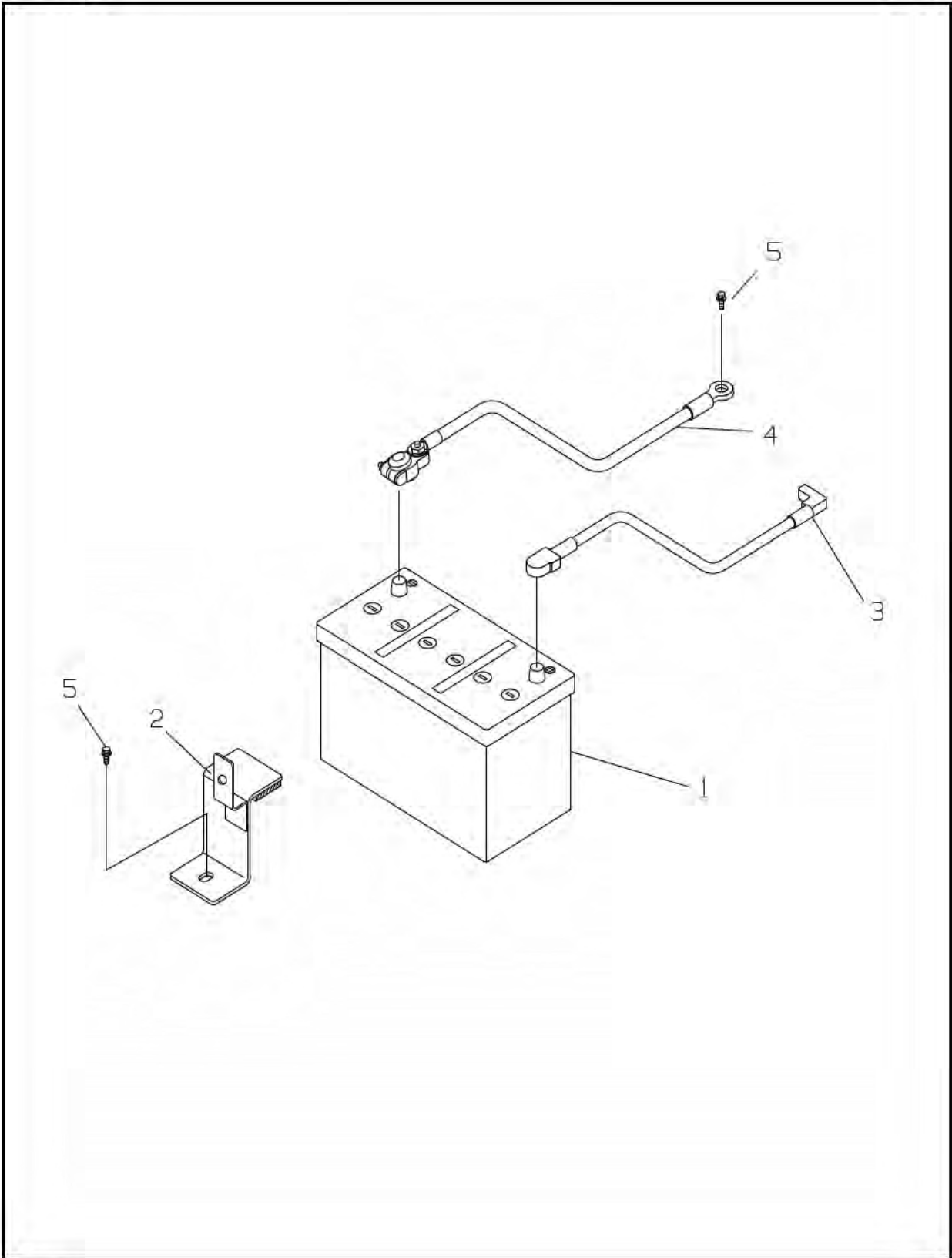
**( C )**

NO.	PART NO.	PART NAME & DESCRIPTION	QTY	APP. NO	REM.
1	A1866065	HARNESS, PANEL	1		
2	A1866046	HARNESS, CABIN	1		
3	A1866047	WIRE, AUDIO SPEAKER	1		
4	A0640014	CLAMP	2		
5	A0640028	BAND, WIRE	2		
6	A0640009	BAND, WIRE	4		
7	A1750272	BRACKET, PTO LEVER SWITCH	1		
8	A5002085	BRACKET, CONTROL SWITCH	1		
9	S155082033	BOLT, HEX. W/WASHER	2		
10	A1750229	SWITCH, PTO LEVER	1		
11	A1750104	PLATE	1		
12	S227403011	SCREW, W/WASHER	2		
13	S345050013	NUT, FLANGE B-TY.	2		
14	S227503011	SCREW, W/WASHER	2		

# BATTERY

FIG. 8-2A

G. 740





# BATTERY

**FIG. 8-2A**

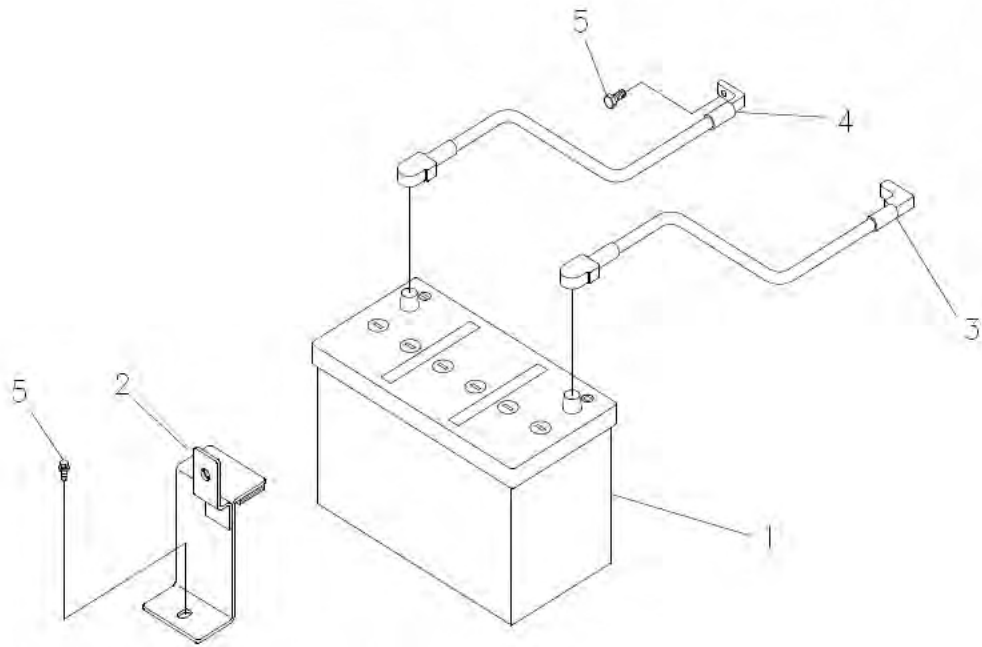
**( F )**

NO.	PART NO.	PART NAME & DESCRIPTION		QTY	APP. NO	REM.
1	A1740002	BATTERY	12V-80AH	1		
2	A1740031	CLAMP, BATTERY		*		
	A1740027	CLAMP, BATTERY		1		
3	A1740020	CABLE, BATTERY (+)		1		
4	A1740030	CABLE, BATTERY (-)		1		
5	S155082033	BOLT, W/WASHER	M8x1.25x20L	2		

# BATTERY

FIG. 8-2A

G. 740



# BATTERY

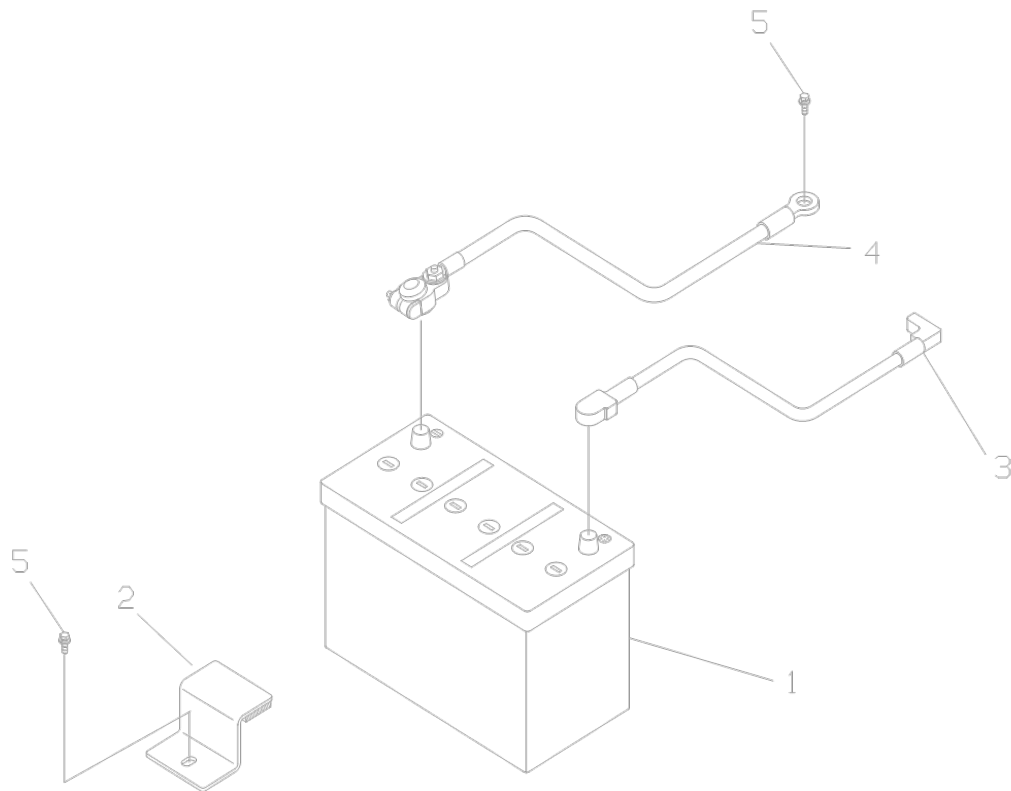
**FIG. 8-2A TK (F)**

NO.	PART NO.	PART NAME & DESCRIPTION		QTY	APP. NO	REM.
1	A1740002	BATTERY	12V-80AH	1		
2	A1740031	CLAMP, BATTERY		*		
	A1740027	CLAMP, BATTERY		1		
3	A1740020	CABLE, BATTERY (+)		1		
4	A1740021	CABLE, BATTERY (-)		1		
5	S155082033	BOLT, W/WASHER	M8x1.25x20L	2		

# BATTERY

FIG. 8-2B

G. 740



# BATTERY

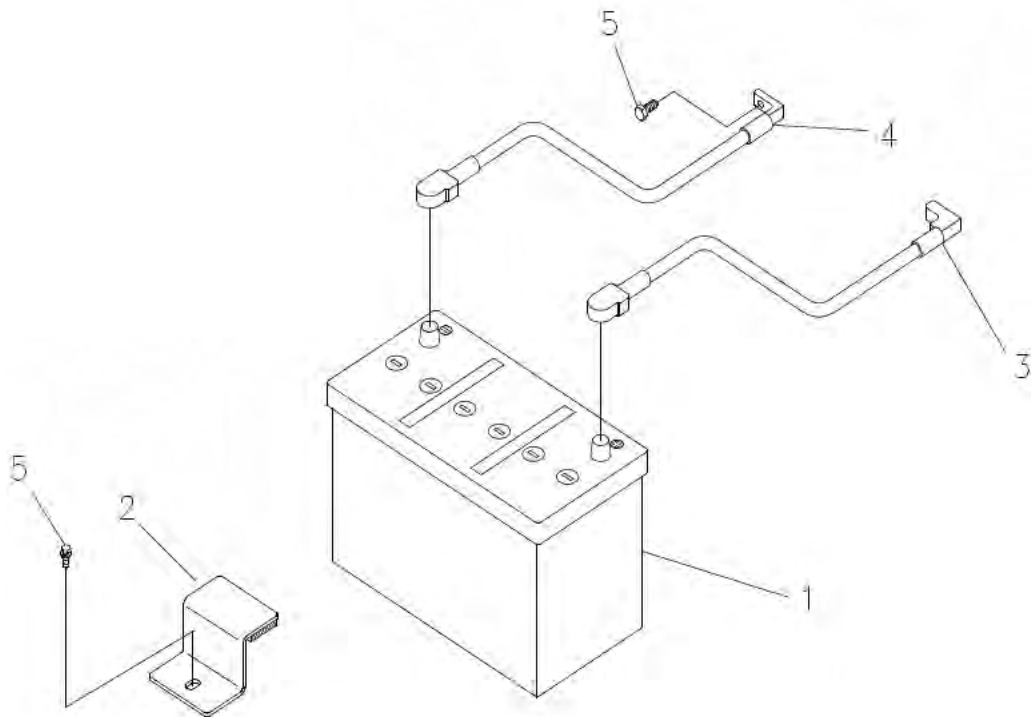
**FIG. 8-2B** **( C )**

NO.	PART NO.	PART NAME & DESCRIPTION		QTY	APP. NO	REM.
1	A1740002	BATTERY	12V-80AH	1		
2	A1740027	CLAMP, BATTERY		1		
3	A1740020	CABLE, BATTERY (+)		1		
4	A1740030	CABLE, BATTERY (-)		1		
5	S155082033	BOLT, W/WASHER	M8x1.25x20L	2		

# BATTERY

FIG. 8-2B

G. 740



# BATTERY

**FIG. 8-2B**

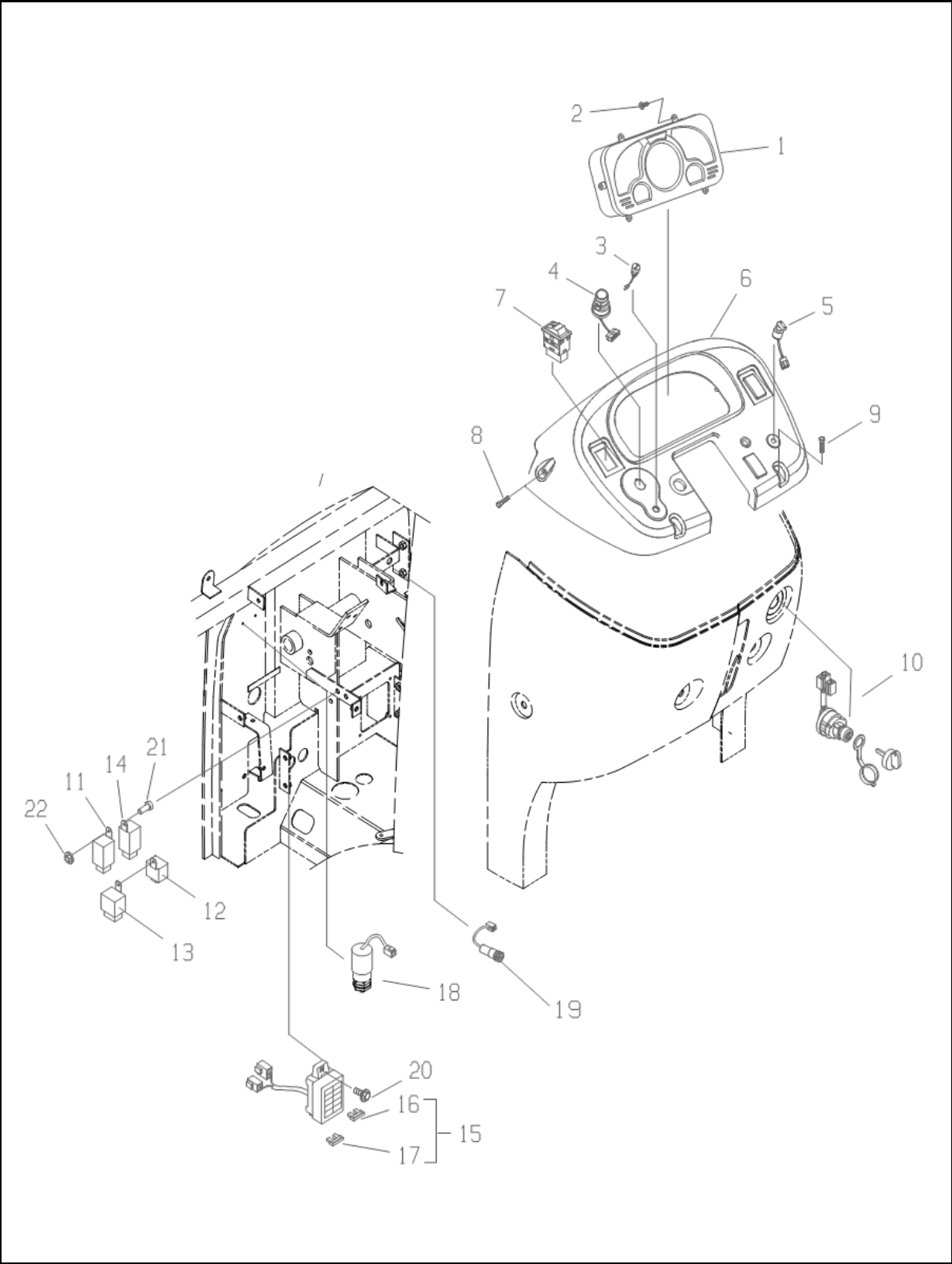
**( C )**

NO.	PART NO.	PART NAME & DESCRIPTION		QTY	APP. NO	REM.
1	A1740002	BATTERY	12V-80AH	1		
2	A1740027	CLAMP, BATTERY		1		
3	A1740020	CABLE, BATTERY (+)		1		
4	A1740021	CABLE, BATTERY (-)		1		
5	S155082033	BOLT, W/WASHER	M8x1.25x20L	2		

# INSTRUMENT PANEL

FIG. 8-3

G. 750





# INSTRUMENT PANEL

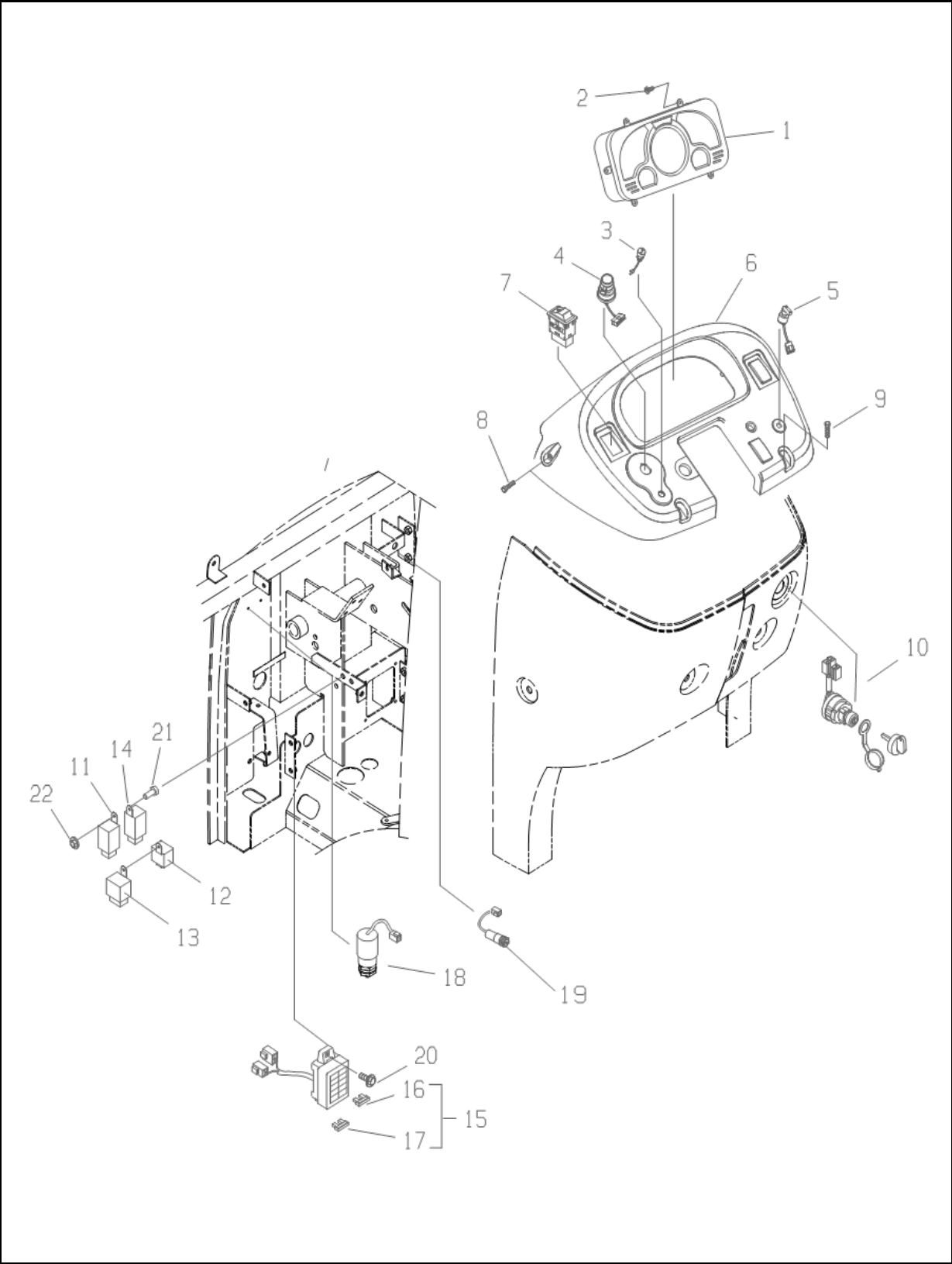
**FIG. 8-3**

NO.	PART NO.	PART NAME & DESCRIPTION		QTY	APP. NO	REM.
1~6	A1750313	PANEL ASSY		1		
	A1750311	PANEL ASSY		*		
1	A1750315	METER PANEL ASSY		1		
	A1750325	METER PANEL ASSY		*		
2	S237401611	SCREW		6		
3	A1750182	SWITCH, HORN		1		
4	A1750181	SWITCH, COMBI		1		
5	A1750152	SWITCH, PTO SELECTOR		1		
6	A1866062	PANEL, BODY UPPER		1		
7	A1750161	SWITCH, EMERGENCY		1		
8	S219602011	SCREW, CROSS	M6x1.0x20L	3		
9	S219603011	SCREW, CROSS	M6x1.0x30L	2		
10	A1750150	KEY SWITCH ASSY		1		
11	Q1800017	TIMER, GLOW		1		
12	Q1800018	RELAY, START		1		
13	Q1800010	RELAY, KEY OFF		*		
	Q1800015	TIMER, ENG STOP		1		
14	A30G0005	FLASHER UNIT ASSY		1		
15	A1750093	FUSE BOX ASSY		1		
16	A0751005	FUSE	10A	8		
17	A0751006	FUSE	15A	2		
18	A1750321	SWITCH, CLUTCH		1		
19	A0740010	SWITCH		1		
20	S159061633	BOLT, W/WASHER	M6x1.0x16L	4		
21	S159062533	BOLT, W/WASHER	M6x1.0x25L	2		
22	S345060013	NUT, FLANGE B-TY.	M6x1.0P	2		

# INSTRUMENT PANEL

FIG. 8-3

G. 750



# INSTRUMENT PANEL

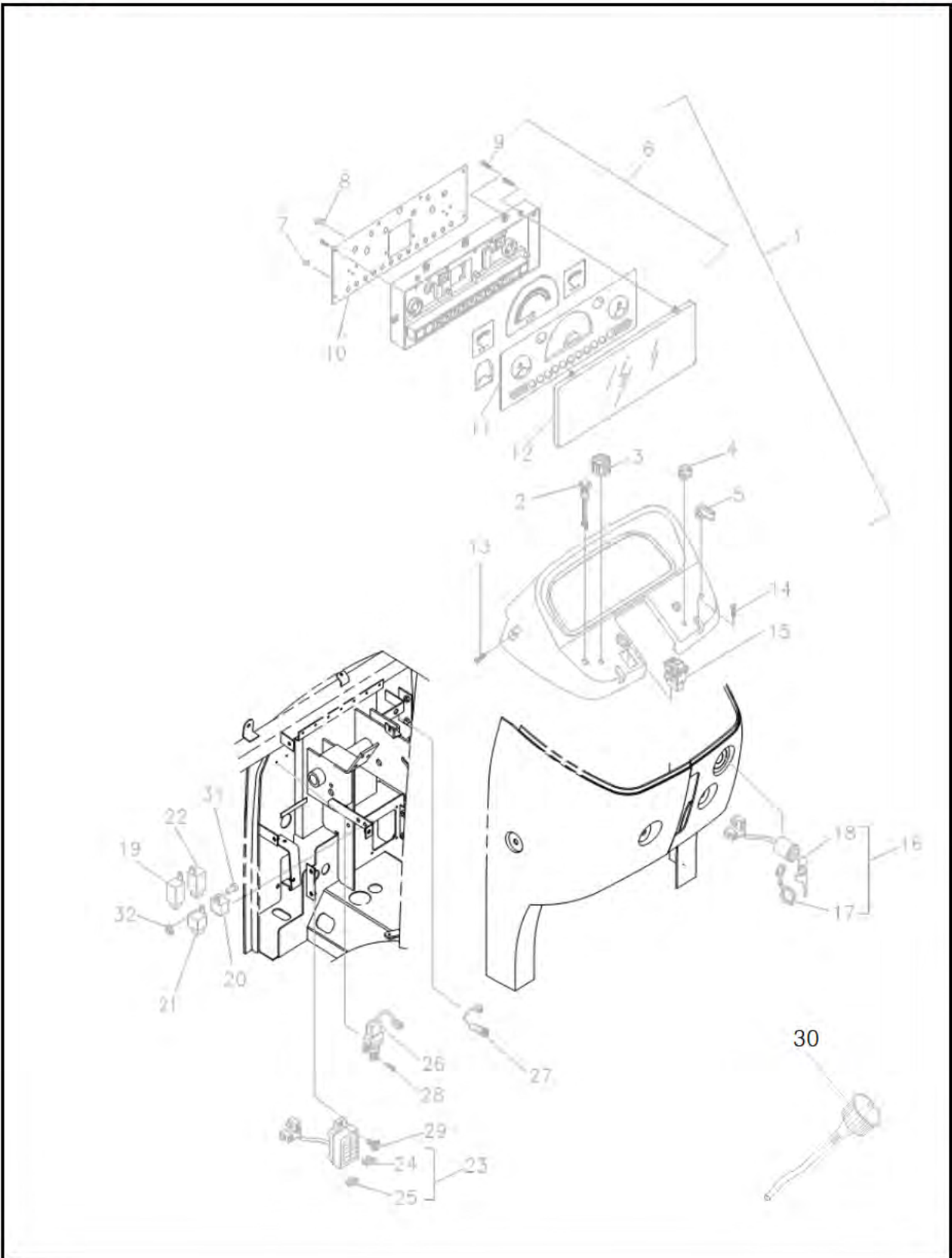
**FIG. 8-3**

NO.	PART NO.	PART NAME & DESCRIPTION		QTY	APP. NO	REM.
1~6	A1750313	PANEL ASSY		1		
1	A1750298	METER PANEL ASSY		1		
2	S237401611	SCREW		6		
3	A1750182	SWITCH, HORN		1		
4	A1750181	SWITCH, COMBI		1		
5	A1750152	SWITCH, PTO SELECTOR		1		
6	A1866062	PANEL, BODY UPPER		1		
7	A1750161	SWITCH, EMERGENCY		1		
8	S219602011	SCREW, CROSS	M6x1.0x20L	3		
9	S219603011	SCREW, CROSS	M6x1.0x30L	2		
10	A1750150	KEY SWITCH ASSY		1		
11	Q1800017	TIMER, GLOW		1		
12	Q1800018	RELAY, START		1		
13	Q1800010	RELAY, KEY OFF		*		
	Q1800015	TIMER, ENG STOP		1		
14	A30G0005	FLASHER UNIT ASSY		1		
15	A1750093	FUSE BOX ASSY		1		
16	A0751005	FUSE	10A	8		
17	A0751006	FUSE	15A	2		
18	A1750321	SWITCH, CLUTCH		1		
19	A0740010	SWITCH		1		
20	S159061633	BOLT, W/WASHER	M6x1.0x16L	4		
21	S159062533	BOLT, W/WASHER	M6x1.0x25L	2		
22	S345060013	NUT, FLANGE B-TY.	M6x1.0P	2		

# INSTRUMENT PANEL

FIG. 8-3

G. 750



# INSTRUMENT PANEL

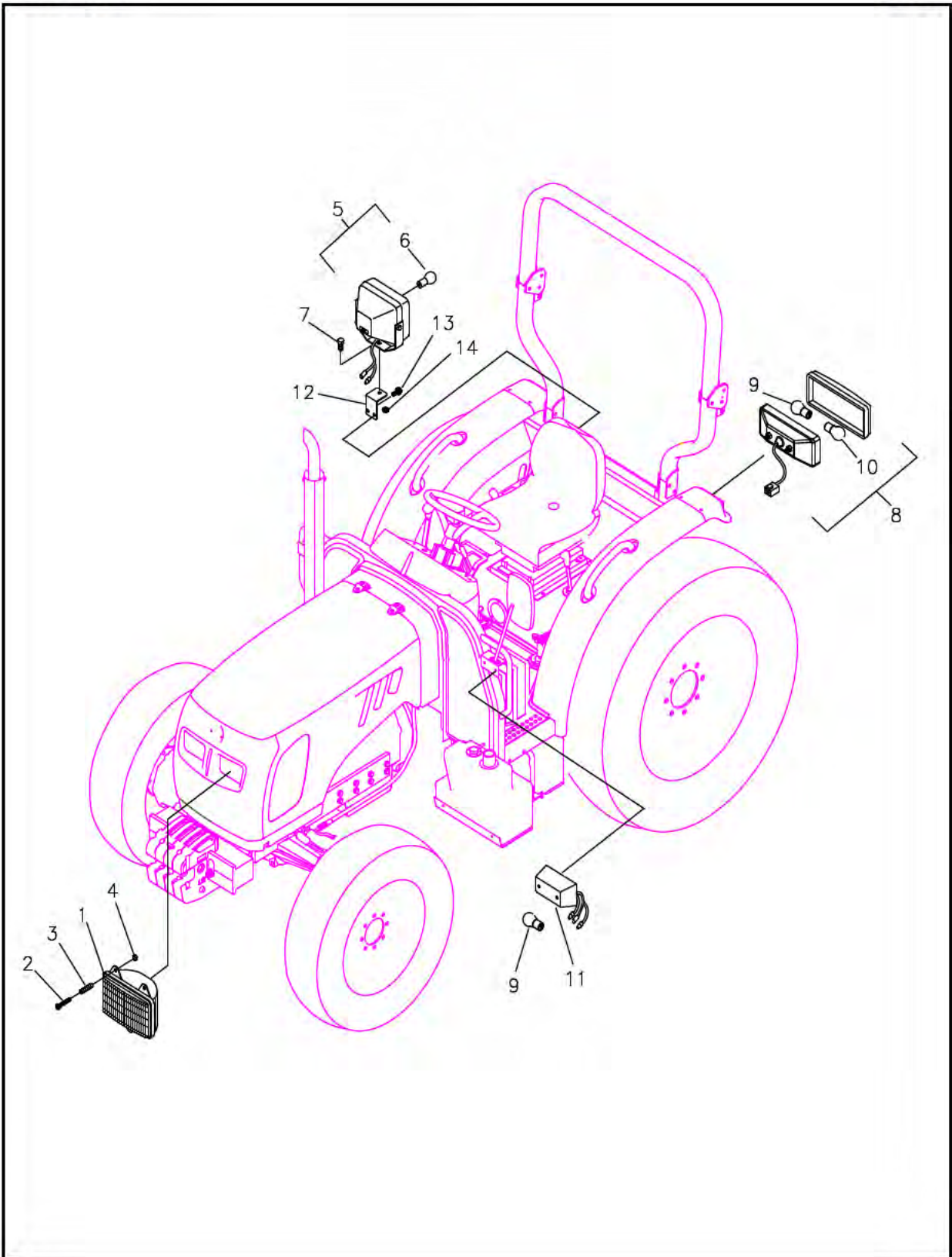
FIG. 8-3

NO.	PART NO.	PART NAME & DESCRIPTION		QTY	APP. NO	REM.
1	A1750308	PANEL ASSY		1		
2	A1750057	SWITCH, HORN		1		
3	A1750058	SWITCH, LIGHT		1		
4	A1750152	SWITCH, PTO SELECT		1		
5	A1750059	SWITCH, TURN		1		
6	A1750215	PANEL, METERL		1		
7	A1750212	LAMP & SOCKET ASSY	14V, 3W	13		
8	A1750040	LAMP & SOCKET ASSY	12V, 3.4W	3		
9	S237401611	SCREW	M4x0.7x16L	8		
10	A1750216	PCB CIRCUIT PLATE		1		
11	A1750213	WINDOW PLATE		1		
12	A1750196	WINDOW GLASS		1		
13	S219602011	SCREW, CROSS	M6x1.0x20L	3		
14	S219603011	SCREW, CROSS	M6x1.0x30L	2		
15	A1750161	SWITCH, EMERGENCY		1		
16	A1750205	KEY SWITCH ASSY		1		
17	A5001135	CAP, KEY		1		
18	A5001134	KEY, STARTER		2		
19	Q1800017	TIMER, GLOW		1		
20	Q1800018	RELAY, START		1		
21	Q1800010	RELAY, KEY OFF		*		
	Q1800015	TIMER, ENG STOP		1		
22	A30G0005	FLASHER UNIT ASSY		1		
23	A1750093	FUSE BOX ASSY		1		
24	A0751005	FUSE	10A	8		
25	A0751006	FUSE	15A	2		
26	A1750209	SWITCH, CLUTCH		1		
27	A0740010	SWITCH		1		
28	S227402511	SCREW, W/SP & PL. WASHER	M4x0.7x25L	2		
29	S159061633	BOLT, W/WASHER	M6x1.0x16L	4		
30	A1750166	CABLE, TACHOMETER		*		
	A1750061	CABLE, TACHOMETER		1		
31	S159062533	BOLT, W/WASHER	M6x1.0x25L	2		
32	S345060013	NUT, FLANGE B-TY.	M6x1.0P	2		

# LAMP

FIG. 8-4A-1

G. 760

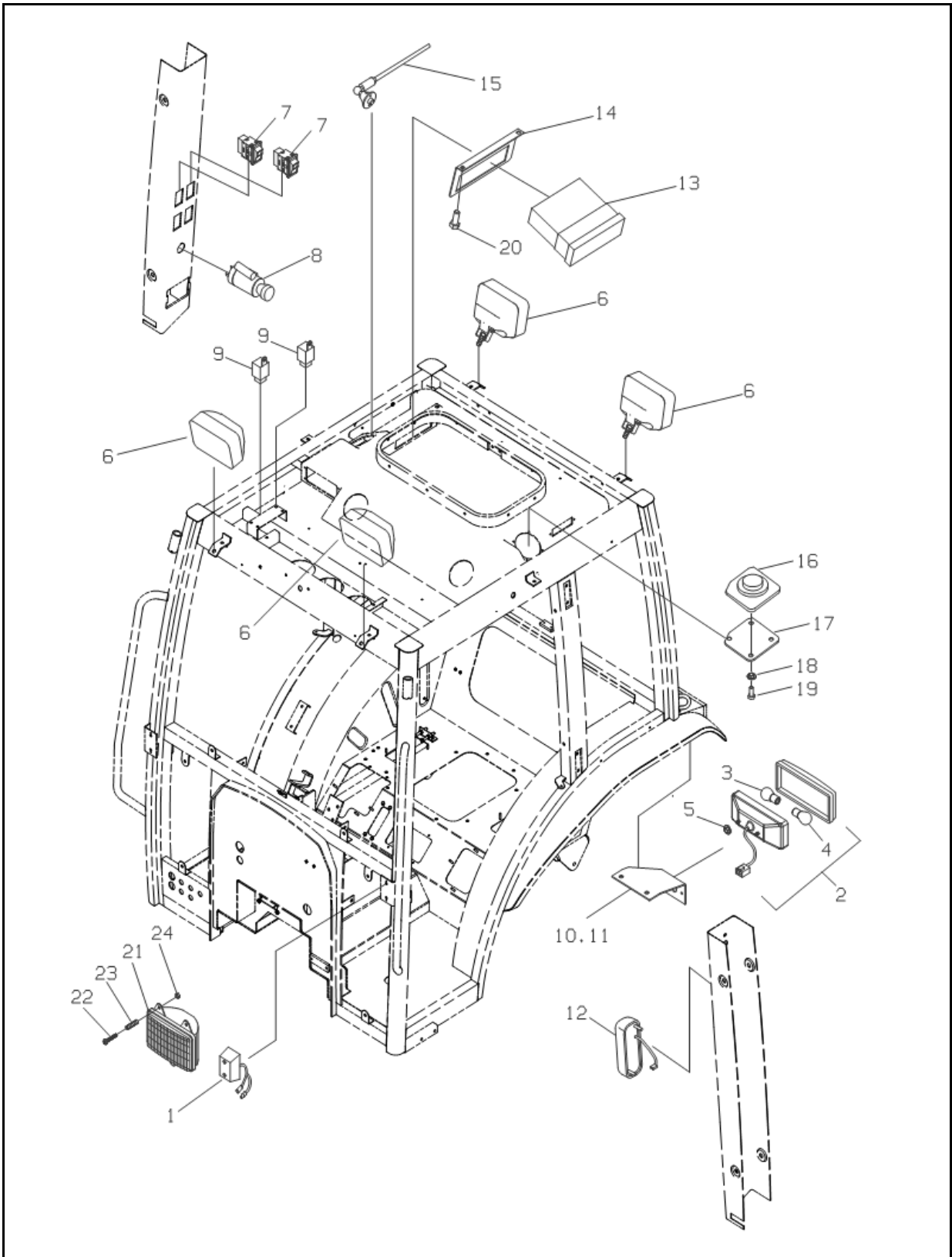




# LAMP

FIG. 8-4B

G. 760





# LAMP

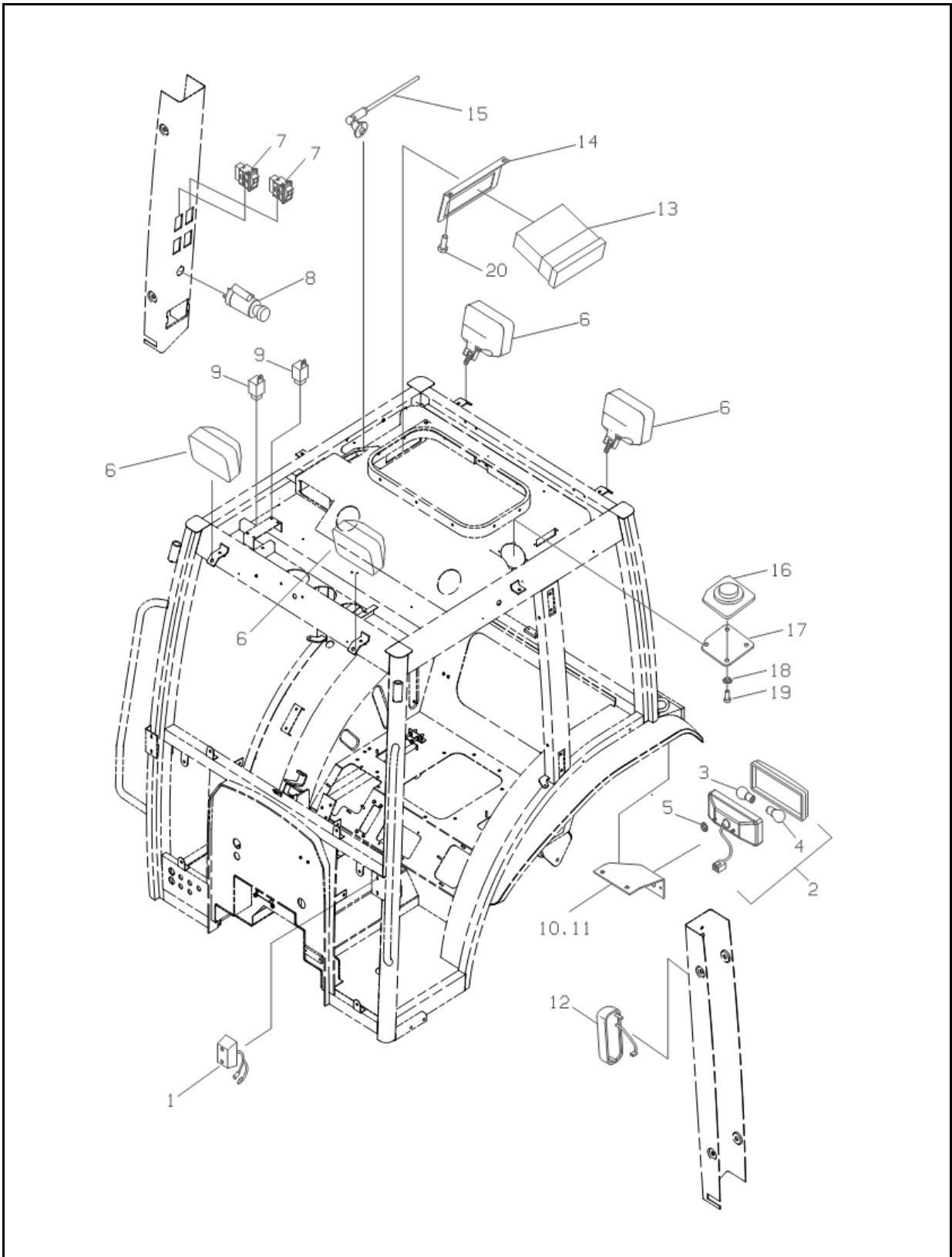
**FIG. 8-4B DO, AG (C)**

NO.	PART NO.	PART NAME & DESCRIPTION	QTY	APP. NO	REM.
1	A1750117	LAMP, SIGNAL	2		
2	A1760047	COMBI LAMP ASSY	2		
3	A1760016	BULB	2		
4	A1760017	BULB	2		
5	S345050013	NUT, FLANGE B-TY.	4		
6	A1866041	WORKING LAMP ASSY	4		
7	A1866020	SWITCH, WORKING LAMP	2		
8	A1866052	CIGAR LIGHTER	1		
9	Q1800018	RELAY, START	2		
10	A1866049	BRACKET, REAR COMB. LAMP(LH)	1		
11	A1866050	BRACKET, REAR COMB. LAMP(RH)	1		
12	A1866040	LAMP, ROOM	1		
13	A1866057	CAR AUDIO ASSY	1		
14	A1866048	BRACKET, AUDIO	1		
15	A1866022	ANTENA	1		
16	A1866043	SPEAKER	2		
17	A1866055	COVER, SPEAKER	2		
18	S345040013	NUT, FLANGE B-TY.	8		
19	S227401611	SCREW, W/WASHER	8		
20	S159081633	BOLT, W/WASHER	2		
21	A5000196	HEAD LAMP ASSY	2		
22	S227503011	SCREW, W/SP & PL	6		
23	A1760003	SPRING	6		
24	S309050013	NUT, HEX	6		

# LAMP

FIG. 8-4B

G. 760



# LAMP

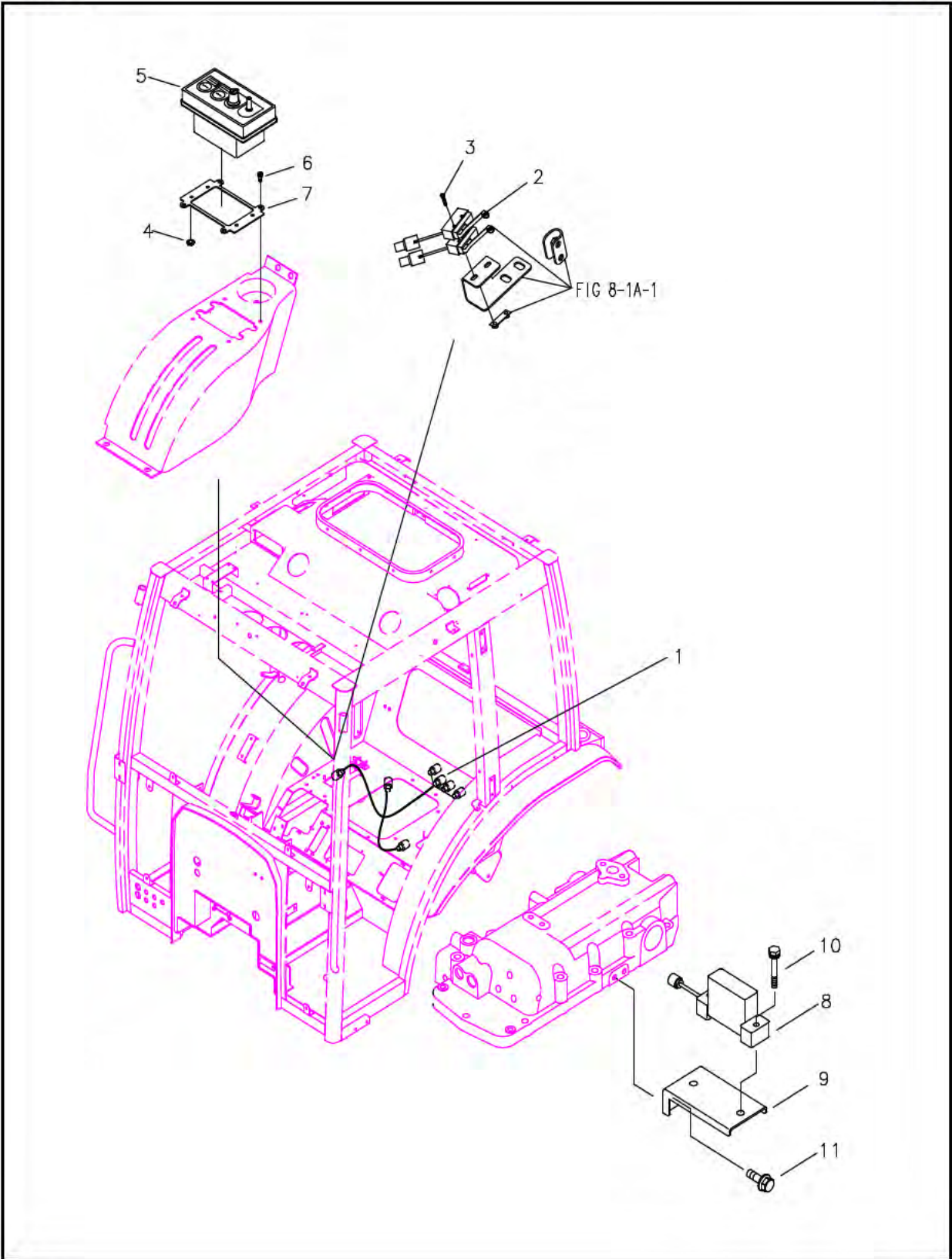
**FIG. 8-4B****( C )**

NO.	PART NO.	PART NAME & DESCRIPTION		QTY	APP. NO	REM.
1	A1750117	LAMP, SIGNAL		2		
2	A1760047	COMBI LAMP ASSY		2		
3	A1760016	BULB	12V,21/5W	2		
4	A1760017	BULB	12V,21W	2		
5	S345050013	NUT, FLANGE B-TY.	M5x0.8P	4		
6	A1866041	WORKING LAMP ASSY		4		
7	A1866020	SWITCH, WORKING LAMP		2		
8	A1866052	CIGAR LIGHTER		1		
9	Q1800018	RELAY, START		2		
10	A1866049	BRACKET, REAR COMB. LAMP(LH)		1		
11	A1866050	BRACKET, REAR COMB. LAMP(RH)		1		
12	A1866040	LAMP, ROOM		1		
13	A1866057	CAR AUDIO ASSY		1		
14	A1866048	BRACKET, AUDIO		1		
15	A1866022	ANTENA		1		
16	A1866043	SPEAKER		2		
17	A1866055	COVER, SPEAKER		2		
18	S345040013	NUT, FLANGE B-TY.	M4x0.7P	8		
19	S227401611	SCREW, W/WASHER	M4x0.7x16L	8		
20	S159081633	BOLT, W/WASHER	M8x1.25x16L	2		

# WIRE, CONTROLLER & SENSOR

FIG. 8-5

G. 750



# WIRE, CONTROLLER & SENSOR

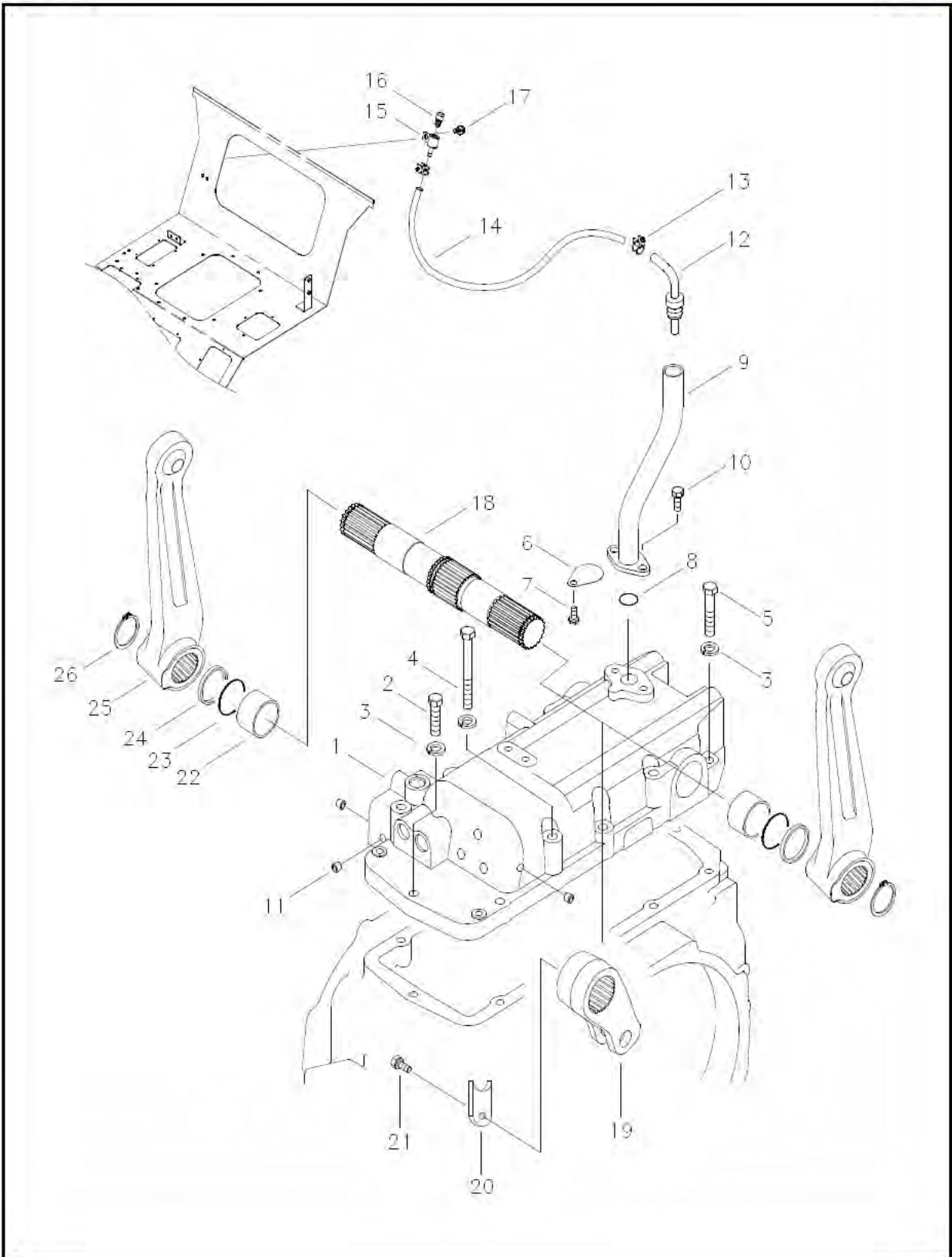
**FIG. 8-5**

NO.	PART NO.	PART NAME & DESCRIPTION		QTY	APP. NO	REM.
1	A1730164	HARNESS, LEVELING		1		
2	A1750229	SWITCH, LEVER		1		
3	S227405011	SCREW, W/WASHER	M4×0.7×50L	2		
4	S345040013	NUT, FLANGE	M4×0.7P	4		
5	A1829032	CONTROLLER, LEVELING		1		
6	S157051013	BOLT, HEX, W/WASHER	M5×0.8×10L	4		
7	A1825147	BRACKET, LEVELING CTRL.		1		
8	A1829088	SLOPE ANGLE SENSOR		1		
9	A1829071	BRACKET, SENSOR		1		
10	S155063533	BOLT, HEX	M6×1.0×35L	2		
11	S155082033	BOLT, HEX W/WASHER	M8×1.25×20L	2		

# HYDRAULIC HOUSING

FIG. 9-1

G. 820



# HYDRAULIC HOUSING

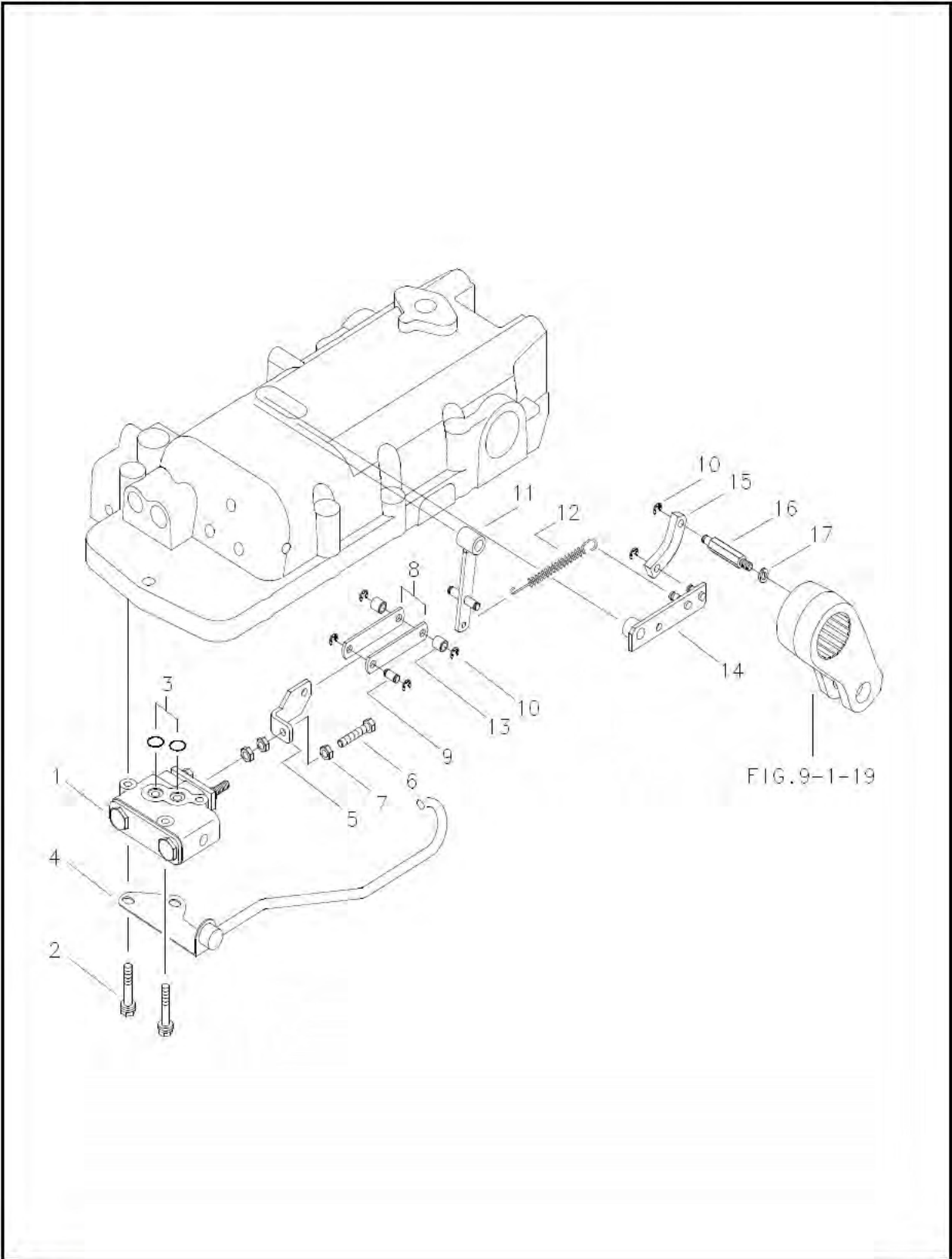
**FIG. 9-1**

NO.	PART NO.	PART NAME & DESCRIPTION	QTY	APP. NO	REM.
1	A1820043	HOUSING, HYDRAULIC	1		
2	S105124543	BOLT, HEX	M12×1.25×45L	2	
3	S361120013	WASHER, SPRING	Φ12.2×3.6	12	
4	S105129543	BOLT, HEX	M12×1.25×95L	5	
5	S105126043	BOLT, HEX	M12×1.25×60L	5	
6	A1970213	PLATE		1	
7	S153081633	BOLT, HEX	M8×1.25×16L	1	
8	S804032010	O-RING	D31.5×2.7	1	
9	A1820025	PIPE, OIL		1	
10	S154102533	BOLT, HEX	M10×1.25×25L	2	
11	A0610168	PLUG, TAPER	PT1/4	3	
12~16	A1820051	AIR VENT ASSY		1	
12	A5002473	PLUG, AIR VENT		1	
13	S901001613	BAND, WIRE		2	
14	A0726360	HOSE, VINYL	D14x10x360L	1	
15	A1823380	AIR VENT, ADAPTER ASSY.		1	
16	A1250049	PLUG, OIL		1	
17	S159081633	BOLT, HEX. W/WASHER	M8x1.25x16L	1	
18	A1821033	SHAFT, HYD. LIFT		1	
19	A1821034	ARM, POWER		1	
20	A1826094	PLATE, LOCK		1	
21	S153081633	BOLT, HEX	M8×1.25×16L	1	
22	A1970305	BUSHING	Φ50×Φ55×30L	2	
23	S802050010	O-RING	D49.4×3.1	2	
24	A1821037	COLLAR		2	
25	A1821035	LIFT ARM ASSY		2	
26	S810050001	RING, SNAP	Φ45.8×2	2	

# LIFT CONTROL VALVE & LINK

FIG. 9-2

G. 822



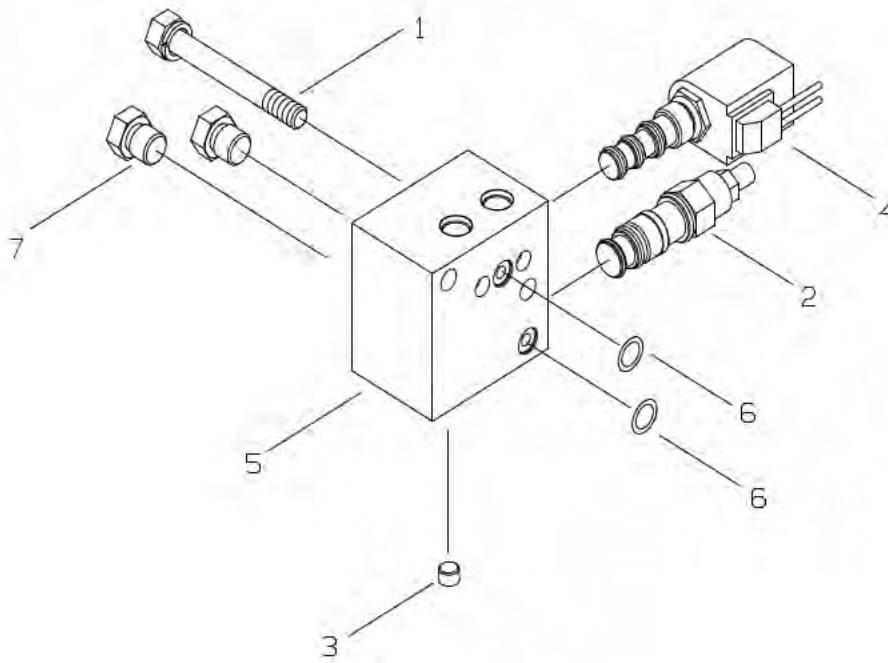




# TM CONTROL VALVE

FIG. 9-3

G. 822



# TM CONTROL VALVE

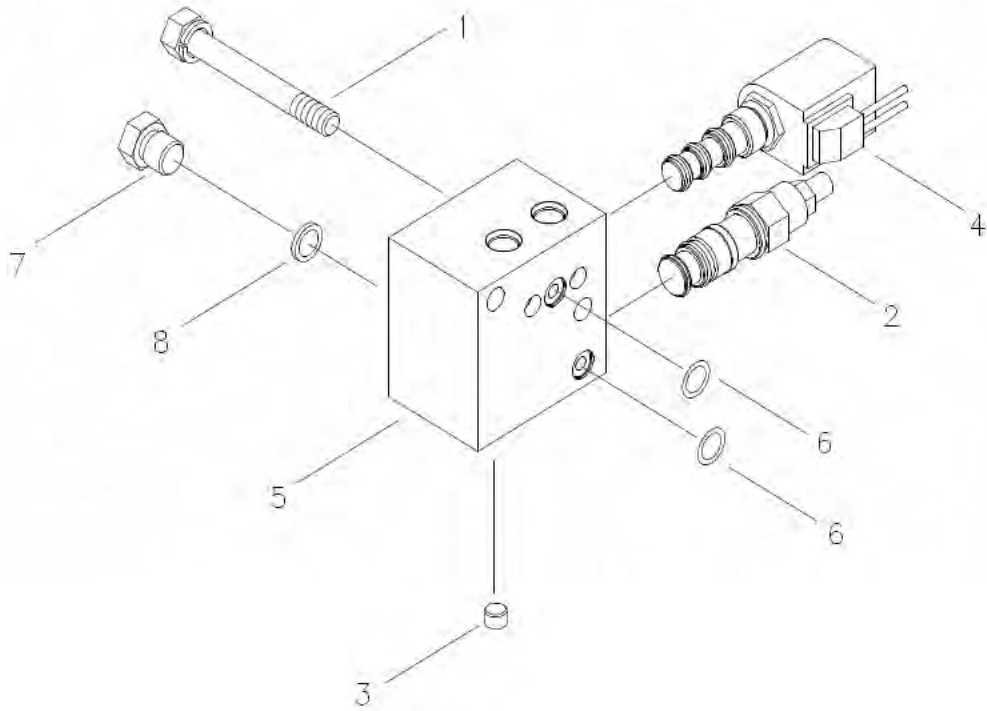
**FIG. 9-3**

NO.	PART NO.	PART NAME & DESCRIPTION		QTY	APP. NO	REM.
1	S154107033	BOLT, HEX	M10×1.25×70L	2		
2~8	A1822107	IND . PTO VALVE ASSY		1		
2	A1822105	VAVLE, SEQUENCE		1		
3	A1822185	ORIFICE	Φ1.5	1		
4	A1822091	VAVLE, SOLENOID		1		
5	A1822108	BLOCK, IND . VALVE		1		
6	S801011011	O-RING	Φ9.8x2.4	2		
7	A1822094	PLUG	PF1/4	2		

# TM CONTROL VALVE

FIG. 9-3

G. 822

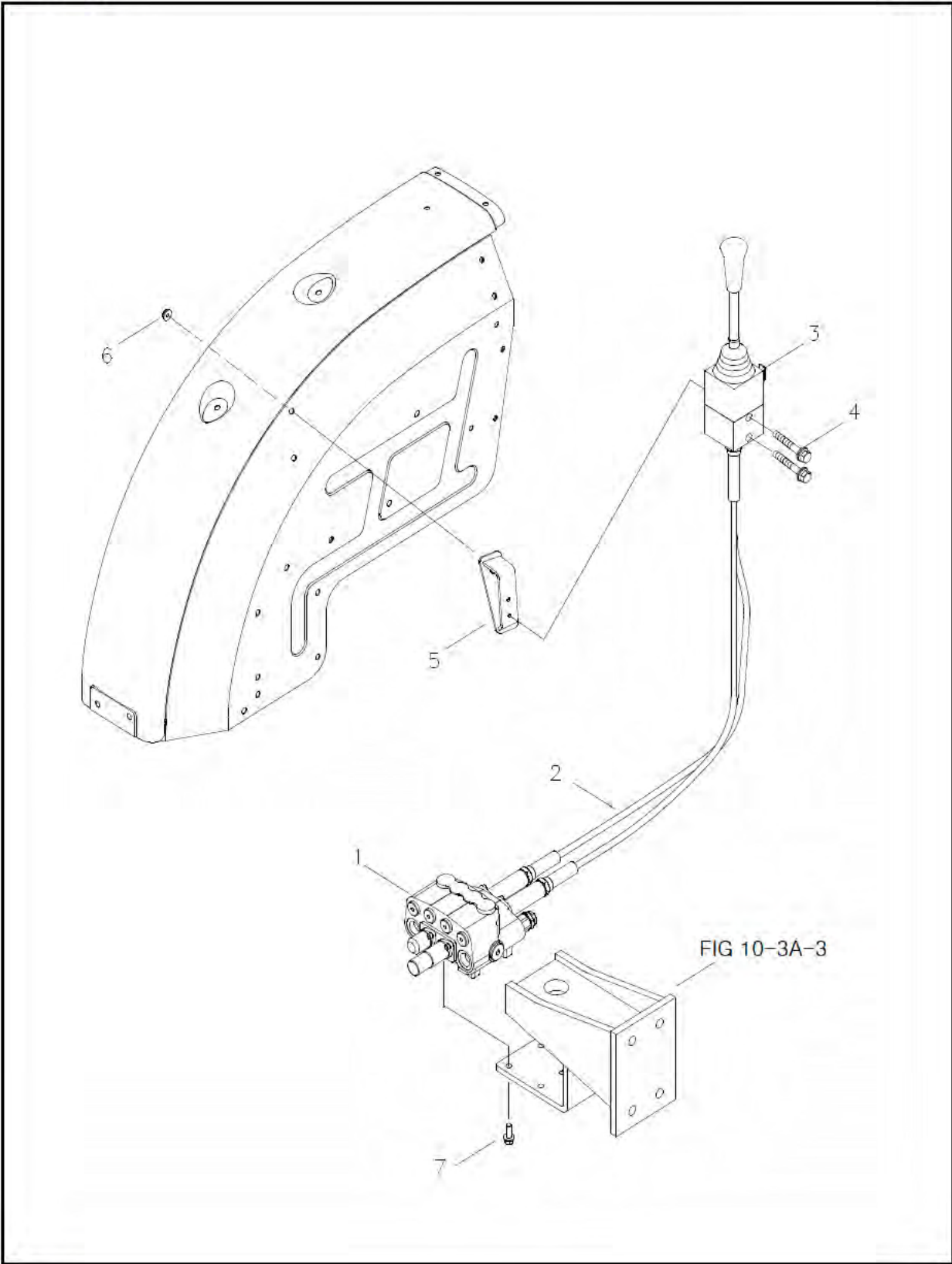




# FRONT OUTLET & LOADER VALVE

FIG. 9-4A

G. 822

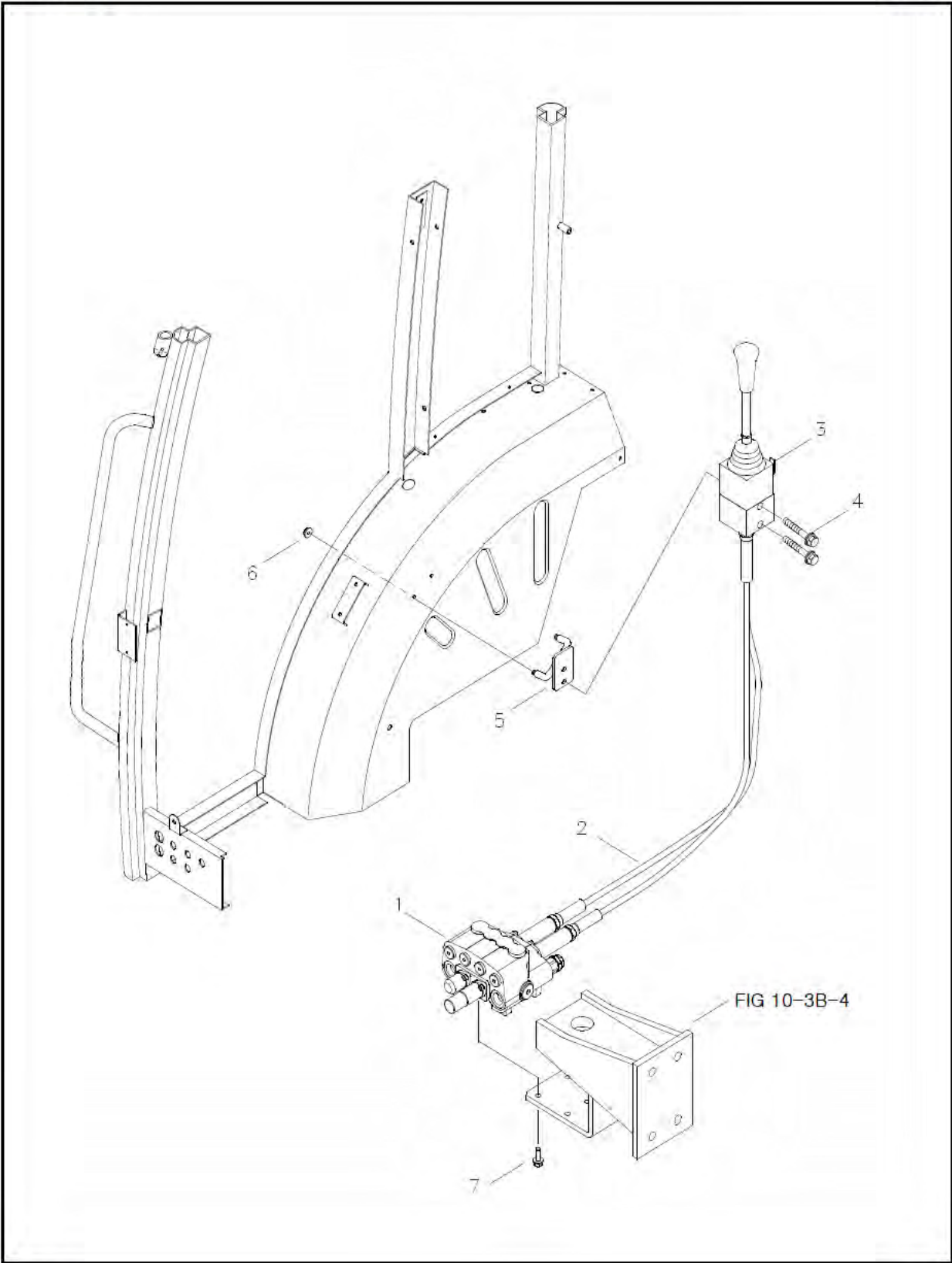




# FRONT OUTLET & LOADER VALVE

FIG. 9-4B

G. 822



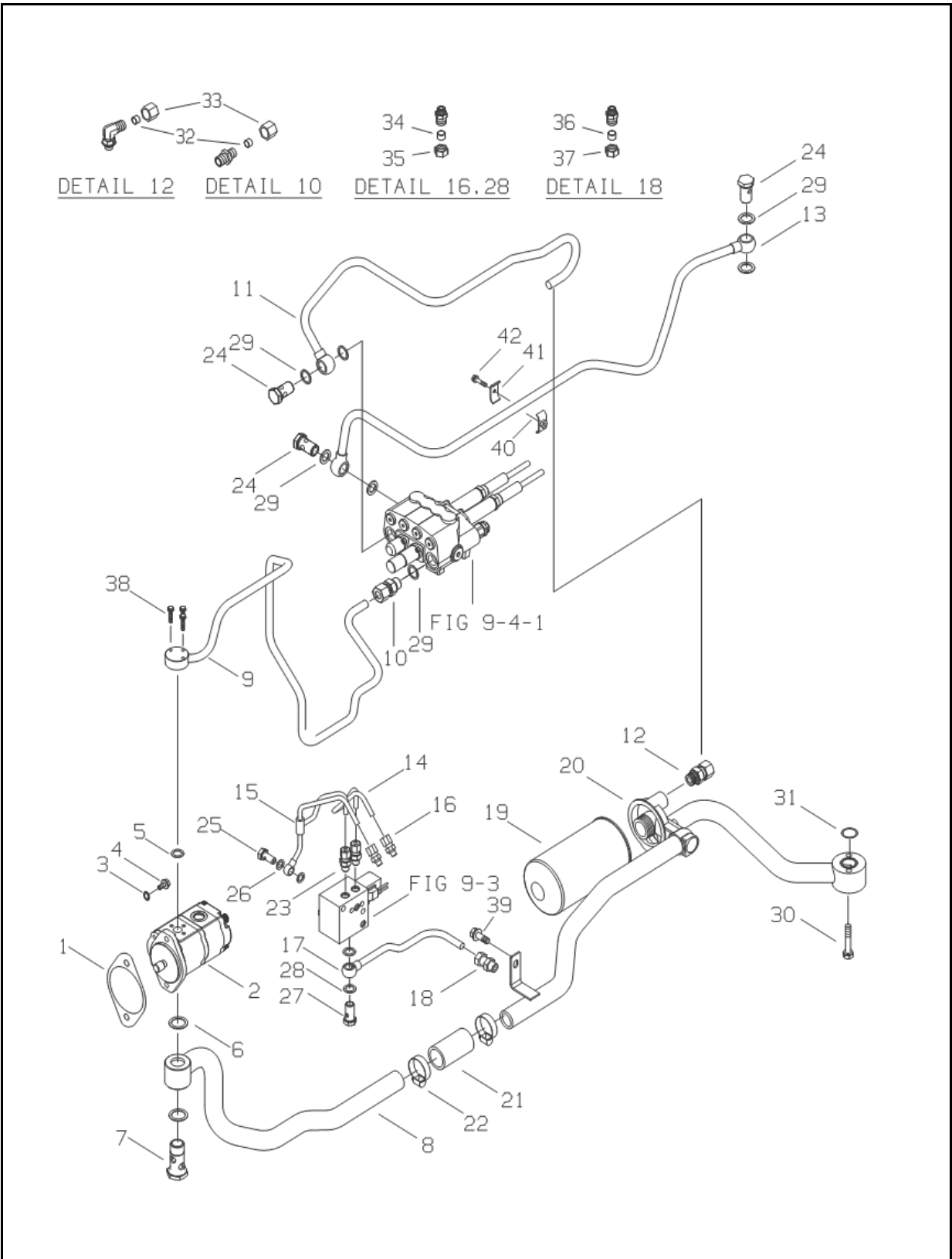




# HYDRAULIC LINES

FIG. 9-5B

G. 823



# HYDRAULIC LINES

**FIG. 9-5B**

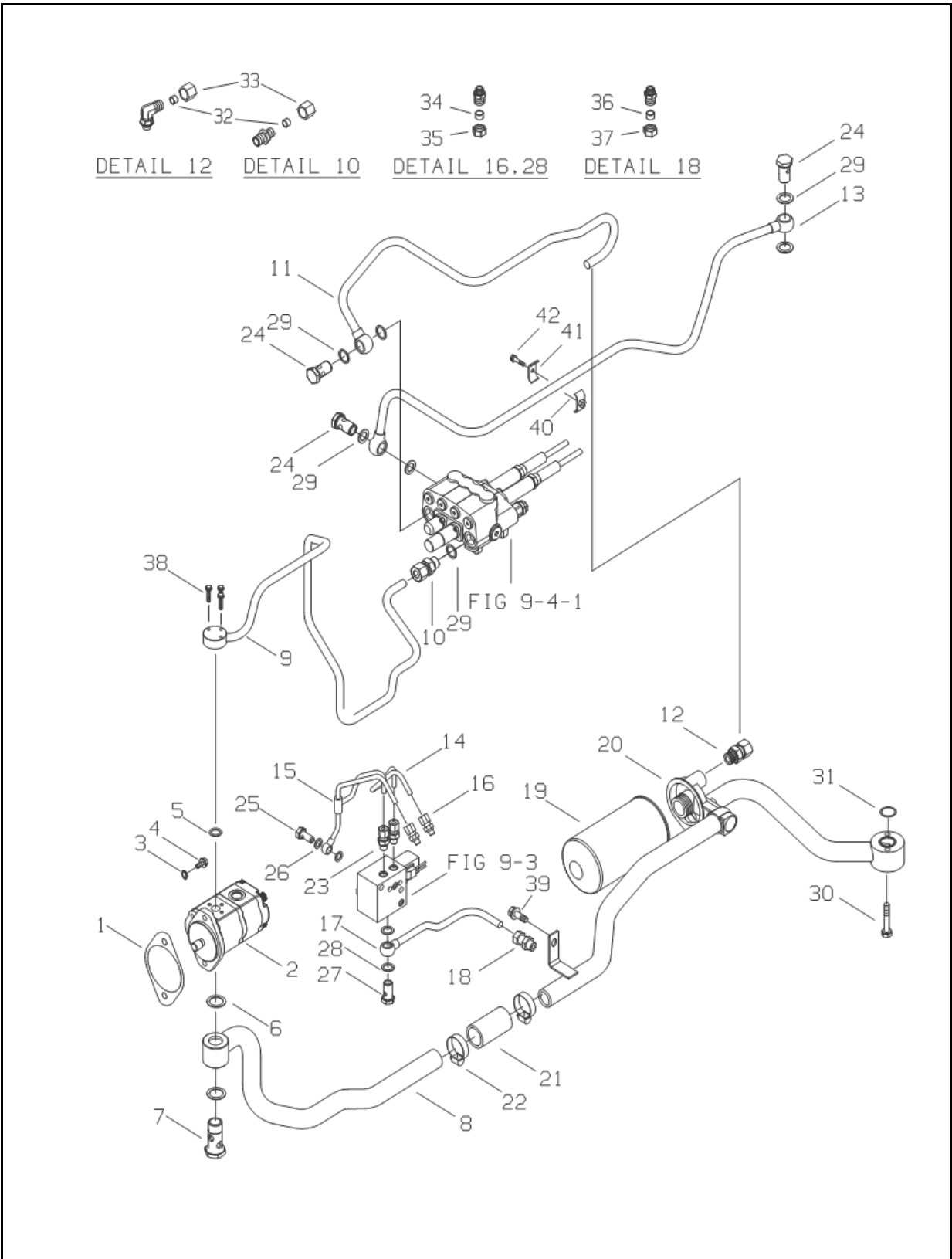
**( LOADER VALVE )**

NO.	PART NO.	PART NAME & DESCRIPTION	QTY	APP. NO	REM.
1	A1823103	GASKET, PUMP	0.8t	1	
2	A1823482	PUMP, HYD. (DUAL)	7.2x15cc/rev	1	
3	S361100013	WASHER, SPRING	Φ10.2×2.5t	2	
4	S107103033	BOLT, HEX	M10×1.25×30L	2	
5	S801018010	O-RING(P)	Φ17.8x2.4	1	
6	A1823168	PACKING, COPPER	Φ26.7×1.5t	2	
7	3A1823003	BOLT, UNION	PF3/4	1	
8	A1823485	PIPE, F/SUCTION	Φ35×1.6t	1	
9,10	A1823483	F/PRESS PIPE ASSY		1	
9	A1823484	PIPE, F/PRESSURE	Φ15×1.5t	1	
10	A1823250	JOINT	BMC15-04G	1	
11,12	A1EMS505	L/DRAIN PIPE ASSY		1	
11	A1823362	PIPE, LOADER V/V DRAIN	Φ15×1.5t	1	
12	A1823144	JOINT	BOM15-04G	1	
13	A1823361	PIPE, R/PRESSURE	Φ15×1.5t	1	
14,16,28	A1EMS506	PTO CLUTCH PIPE ASSY		1	
14	A1823364	PIPE, PTO CLUTCH	Φ8×0.8t	1	
15,16,28	A1EMS507	PTO BRAKE PIPE ASSY		1	
15	A1823365	PIPE, PTO BRK & LUB	Φ8×0.8t	1	
16	A1823354	JOINT	BOM08-01G	2	
17,18	A1EMS508	PTO VALVE DRAIN PIPE ASSY		1	
17	A1823366	PIPE, PTO V/V DRAIN	Φ12×1t	1	
18	A1630144	JOINT	BOM12-03G	1	
19	A1823315	FILTER, HYD		1	
20	A1823363	PIPE, R/SUCTION	Φ35×1.6t	1	
21	A5000401	HOSE, SUCTION	Φ35	1	
22	A1970201G	CLAMP, HOSE	27-50	2	
23	A1823163	JOINT	BOM08-02G	2	
24	A1823161	BOLT, UNION		3	
25	A1823157	BOLT, UNION		1	
26	A1823158	PACKING, COPPER	Φ13×1t	2	
27	A1630201	BOLT, UNION		1	
28	A1823245	SEAL, BONDED	Φ16.8x1.5t	2	
29	A1823252	SEAL, BONDED	Φ21.2x1.5t	7	
30	S154106033	BOLT, HEX	M10x1.25x60L	2	
31	S804030010	O-RING(S)	Φ29.5x2.0	1	
32	A1823033	SLEEVE	Φ15	3	
33	A1823034	NUT, HEX		3	
34	A1823166	SLEEVE	Φ8	4	
35	A1823167	NUT, HEX		4	
36	A1630169	SLEEVE	Φ12	1	
37	A1630170	NUT, HEX		1	
38	S153063033	BOLT, HEX	M6x1.0x30L	3	
39	S154102033	BOLT, HEX	M10x1.5x20L	1	
40	A5001357	CLAMP A		1	

# HYDRAULIC LINES

FIG. 9-5B

G. 823

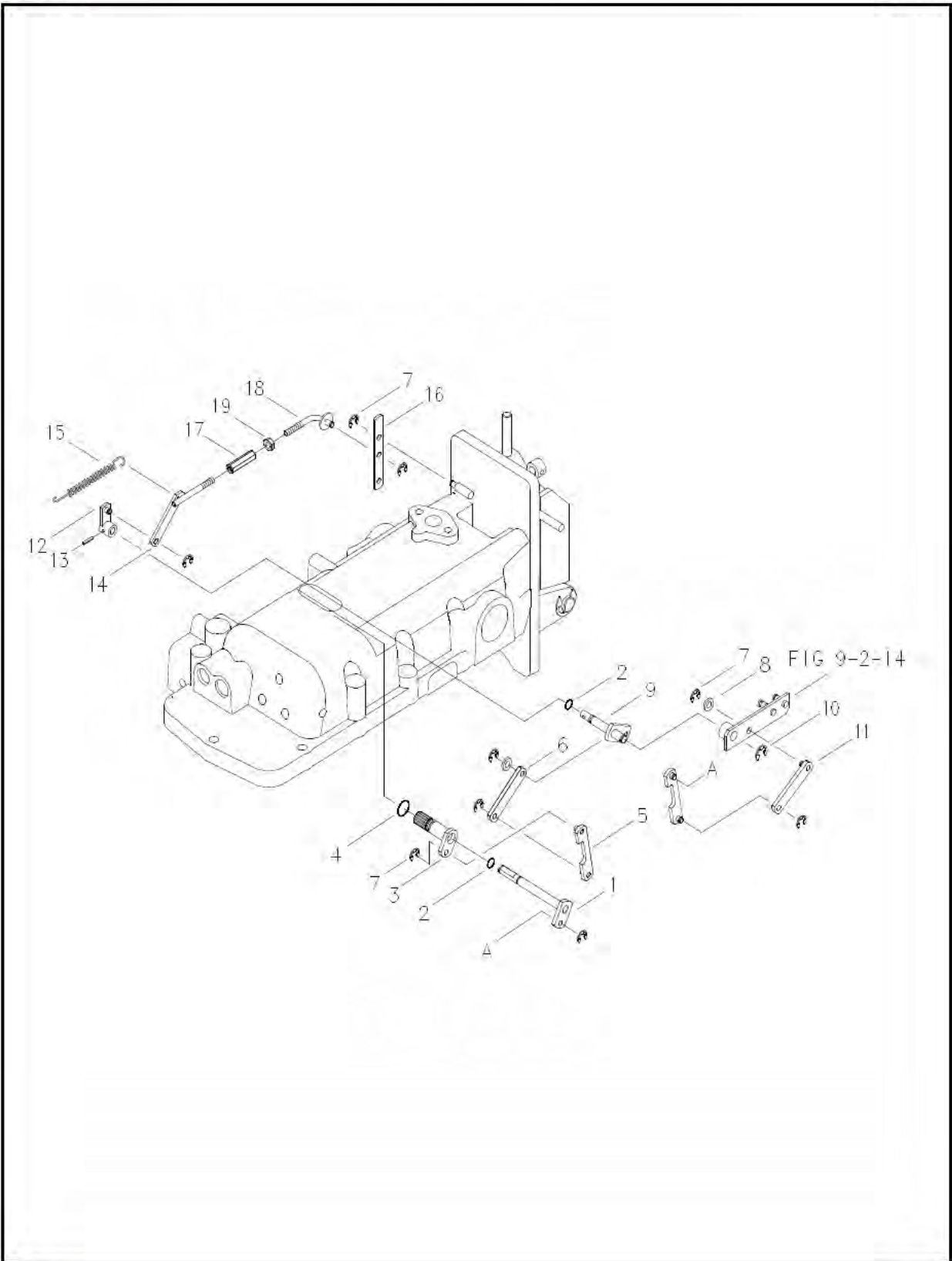




# DRAFT CONTROL LINK

FIG. 9-6

G. 824



# DRAFT CONTROL LINK

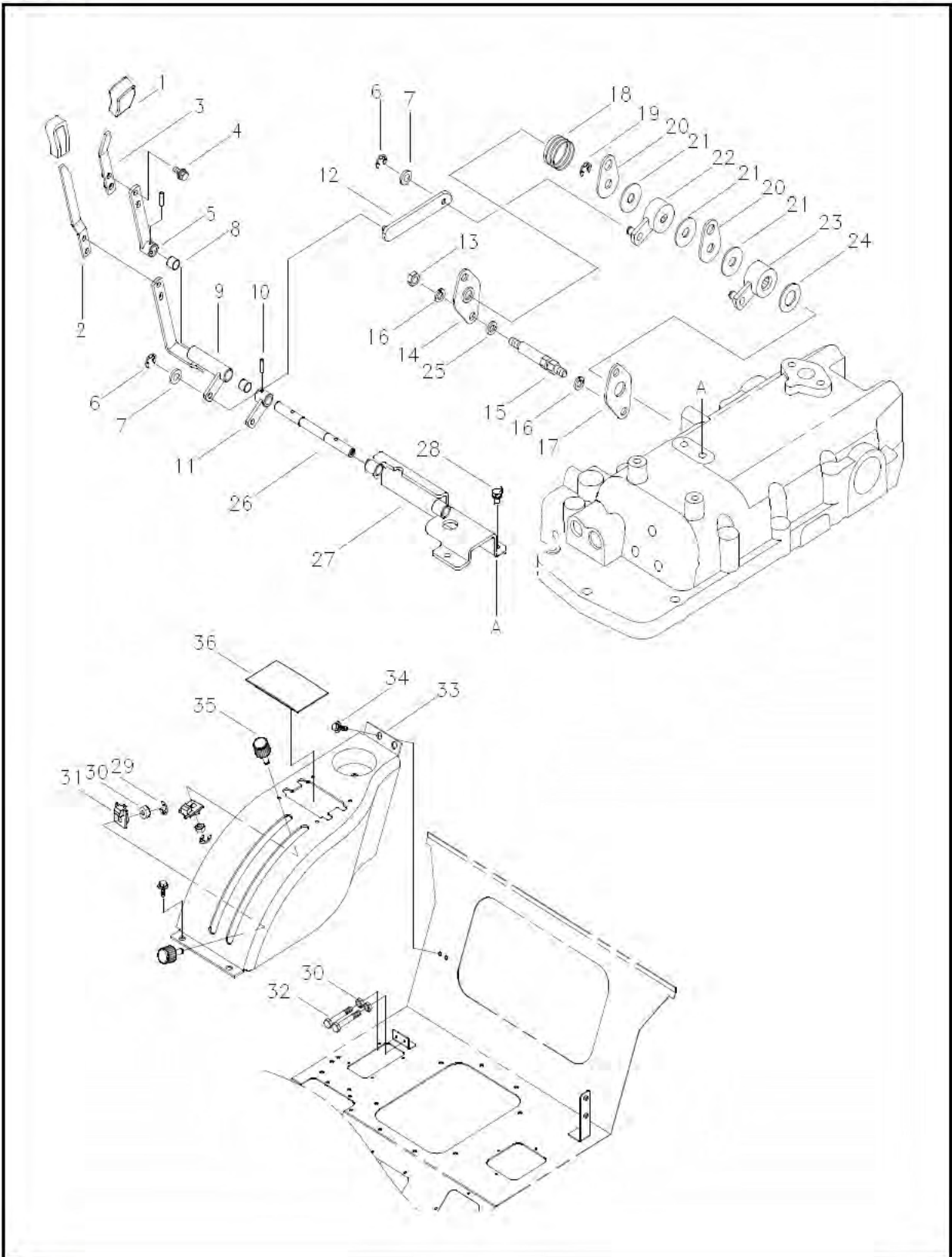
**FIG. 9-6**

NO.	PART NO.	PART NAME & DESCRIPTION		QTY	APP. NO	REM.
1	A1824020	SHAFT, POSITION		1		
2	S801009010	O-RING	D8.8×1.9	2		
3	A1824021	SHAFT, DRAFT		1		
4	S801016010	O-RING	D15.8×2.4	1		
5	3A1824003	LINK (B)		2		
6	3A1824005	LINK		1		
7	S814006003	RING, SNAP	Φ5.2×0.8	9		
8	S364080013	WASHER, PLAIN		2		
9	A1824022	SHAFT		1		
10	S814009003	RING, SNAP	Φ8×0.8	1		
11	3A1824004	LINK (J)		1		
12	A1824019	ARM		1		
13	S446042012	PIN, SPRING	Φ4×20	1		
14	3A1824007	ROD (B)		1		
15	3A1100008	SPRING		1		
16	3A1824011	LINK, PAC		1		
17	3A1824014	JOINT		1		
18	3A1824010	ROD (A)		1		
19	S313080043	NUT, HEX	M8×1.25	1		

# HYDRULIC CONTROL LEVER

FIG. 9-7

G. 825





# HYDRULIC CONTROL LEVER

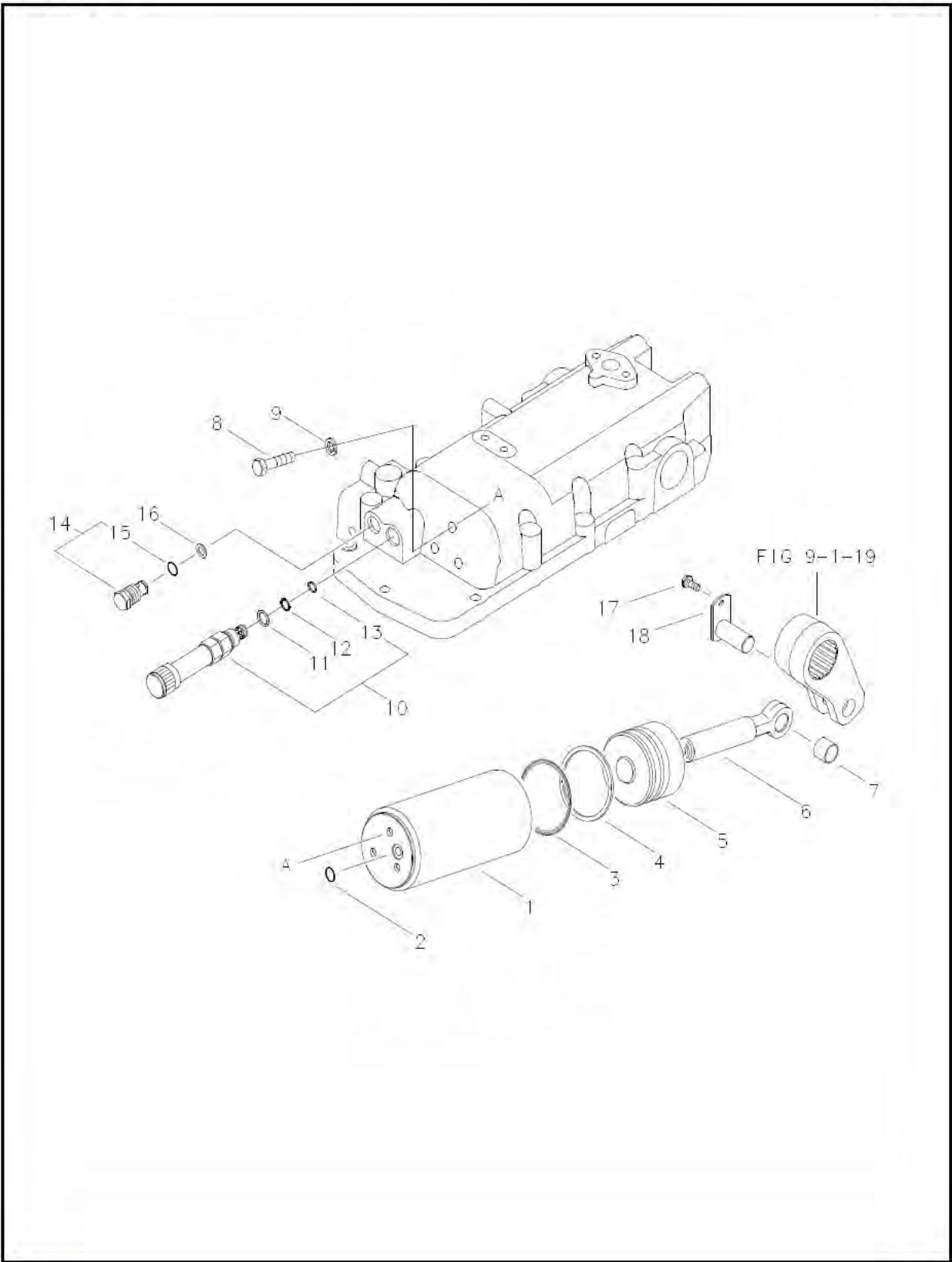
**FIG. 9-7**

NO.	PART NO.	PART NAME & DESCRIPTION	QTY	APP. NO	REM.
1	A1970241	KNOB, LIFT LEVER	2		
2	A1825143	EXTENSION, LEVER	1		
3	A1825148	EXTENSION, DRAFT LEVER	1		
4	S155082533	BOLT, W / WASHER	4		
5	A1825141	LE, DRAFT CONTROL	1		
6	S814008001	RING, SNAP	4		
7	S363100013	WASHER, PLAIN	4		
8	A0677315	BUSHING, DU	2		
9	A1825142	LEVER, POSITION LEVER	1		
10	S446062512	PIN, SPR. W-TY	2		
11	A1825140	ARM, HYD. LEVER	1		
12	A1825139	LINK, HYD. LEVER	2		
13	S302100043	NUT, HEX	2		
14	A1825034	COVER, SPRING	1		
15	A1825085	SUPPORT, LEVER	2		
16	S361100013	WASHER, SPRING	4		
17	A1825033	COVER	1		
18	A1825086	SPRING	1		
19	S810012001	RING, SNAP	1		
20	A1825053	PLATE, LOCKING	2		
21	A1825024	FRICTION PLATE (S)	3		
22	A1825067	ARM, POSITION LEVER	1		
23	A1825066	ARM, DRAFT LEVER	1		
24	A1825023	FRICTION PLATE (L)	1		
25		SHIM	AR		
26	A1825138	SHAFT, HYD. LEVER	1		
27	A1825137	BRACKET, HYD. LEVER	1		
28	S154102033	BOLT, HEX	3		
29	S814006003	RING, SNAP	4		
30	S305080043	NUT, HEX	6		
31	A1825129	STOPPER, LEVER	4		
32	S163086043	BOLT, HEX	2		
33	A1825132	GUIDE, HYD. LEVER	1		
34	S159082033	BOLT, HEX	4		
35	A1825056	GRIP	4		
36	A1825135	COVER, HYD LEVER GUIDE	1		

# HYDRAULIC CYLINDER

FIG. 9-8

G. 826







# REMOTE CONTROL VALVE

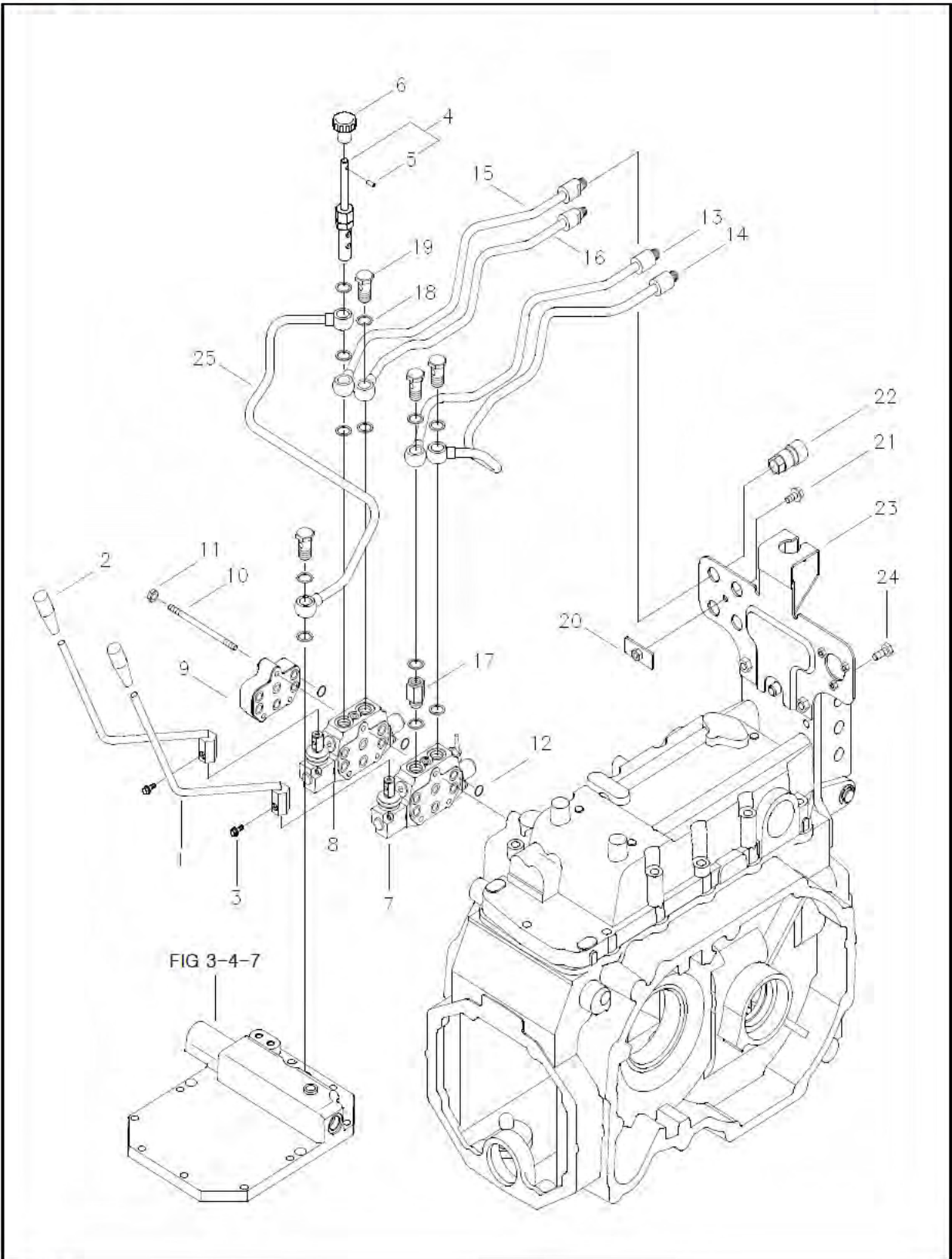
**FIG. 9-9A DO**

NO.	PART NO.	PART NAME & DESCRIPTION	QTY	APP. NO	REM.
1	A1827311	LEVER, AUX. VALVE (1)	1		
2	A1827312	LEVER, AUX. VALVE (2)	1		
3	S153082533	BOLT, HEX. W/WASHER	2		
4	A1827223	S/D CONTROL VALVE ASSY	1		
5	S446041613	PIN, SPR.	2		
6	A1970361	KNOB, S/D CONTROL	1		
7~11	A1827308	REMOTE CONTROL VALVE	1		
7	A1827124	VALVE(2)	2		
8	A1827125	COVER, VALVE	1		
9	A1827128	BOLT, STUD	3		
10	A1827130	NUT, SELF LOCK	3		
11	A1827131	O-RING	18		
12	A1827228	PIPE, 1ST(U)	1		
13	A1827220	PIPE, 1ST(L)	1		
14	A1827210	PIPE, 2ND(U)	1		
15	A1827211	PIPE, 2ND(L)	1		
16	A1827092	CONNECTOR, UNION	1		
17	A1823261	SEAL, BONDED	12		
18	A1827091	BOLT, EYE	4		
19	A5000875	BRACKET, PIPE	1		
20	S159081633	BOLT, HEX	1		
21	A1827177	QUICK COUPLER	4		
22	A1827221	BRACKET, AUX. PIPE	1		
23	S154103533	BOLT, HEX	2		
24	A1827227	PIPE, S/D CONTROL	1		
25	A1970242	GRIP, AUX. LEVER	2		

# REMOTE CONTROL VALVE

FIG. 9-9A

G. 827



# REMOTE CONTROL VALVE

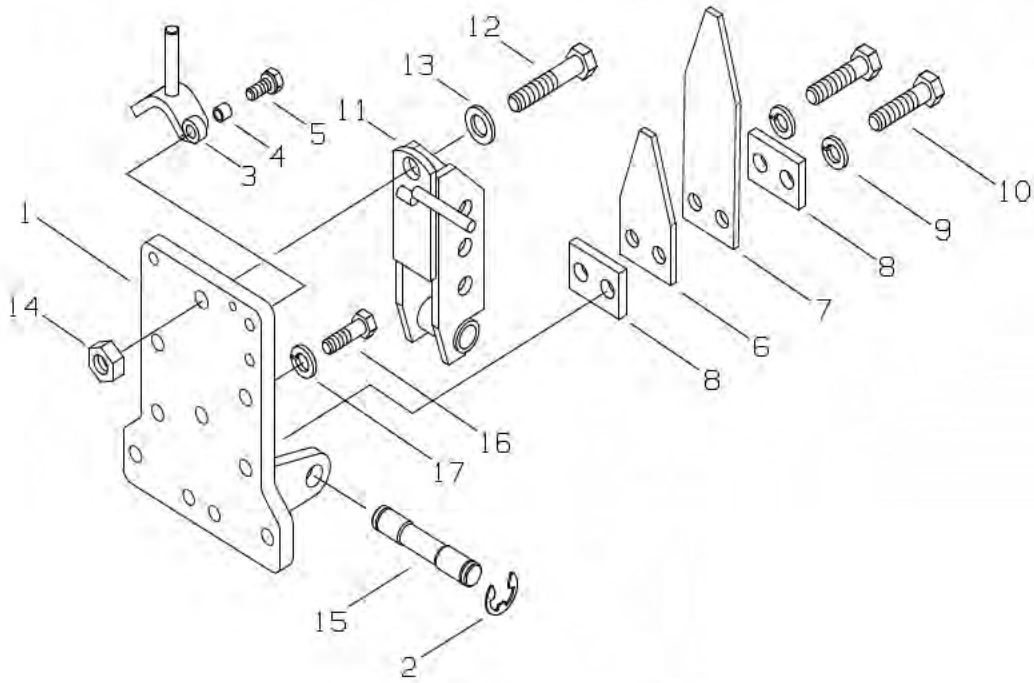
FIG. 9-9A

NO.	PART NO.	PART NAME & DESCRIPTION	QTY	APP. NO	REM.
1	A1827222	LEVER, AUX. VALVE	2		
2	A1970242	GRIP, AUX. LEVER	2		
3	S153082533	BOLT, HEX. W/WASHER	2		
4	A1827223	S/D CONTROL VALVE ASSY	1		
5	S446041613	PIN, SPR.	2		
6	A1970361	KNOB, S/D CONTROL	1		
7~12	A1827156	REMOTE CONTROL VALVE	1		
7	A1827123	VALVE(1)	1		
8	A1827124	VALVE(2)	1		
9	A1827125	COVER, VALVE	1		
10	A1827128	BOLT, STUD	3		
11	A1827130	NUT, SELF LOCK	3		
12	A1827131	O-RING	18		
13	A1827228	PIPE, 1ST(U)	1		
14	A1827220	PIPE, 1ST(L)	1		
15	A1827210	PIPE, 2ND(U)	1		
16	A1827211	PIPE, 2ND(L)	1		
17	A1827092	CONNECTOR, UNION	1		
18	A1823261	SEAL, BONDED	12		
19	A1827091	BOLT, EYE	4		
20	A5000875	BRACKET, PIPE	1		
21	S159081633	BOLT, HEX	1		
22	A1827177	QUICK COUPLER	4		
23	A1827221	BRACKET, AUX. PIPE	1		
24	S154103533	BOLT, HEX	2		
25	A1827227	PIPE, S/D CONTROL	1		

# UPPER LINK BRACKET

FIG. 9-10

G. 828





# UPPER LINK BRACKET

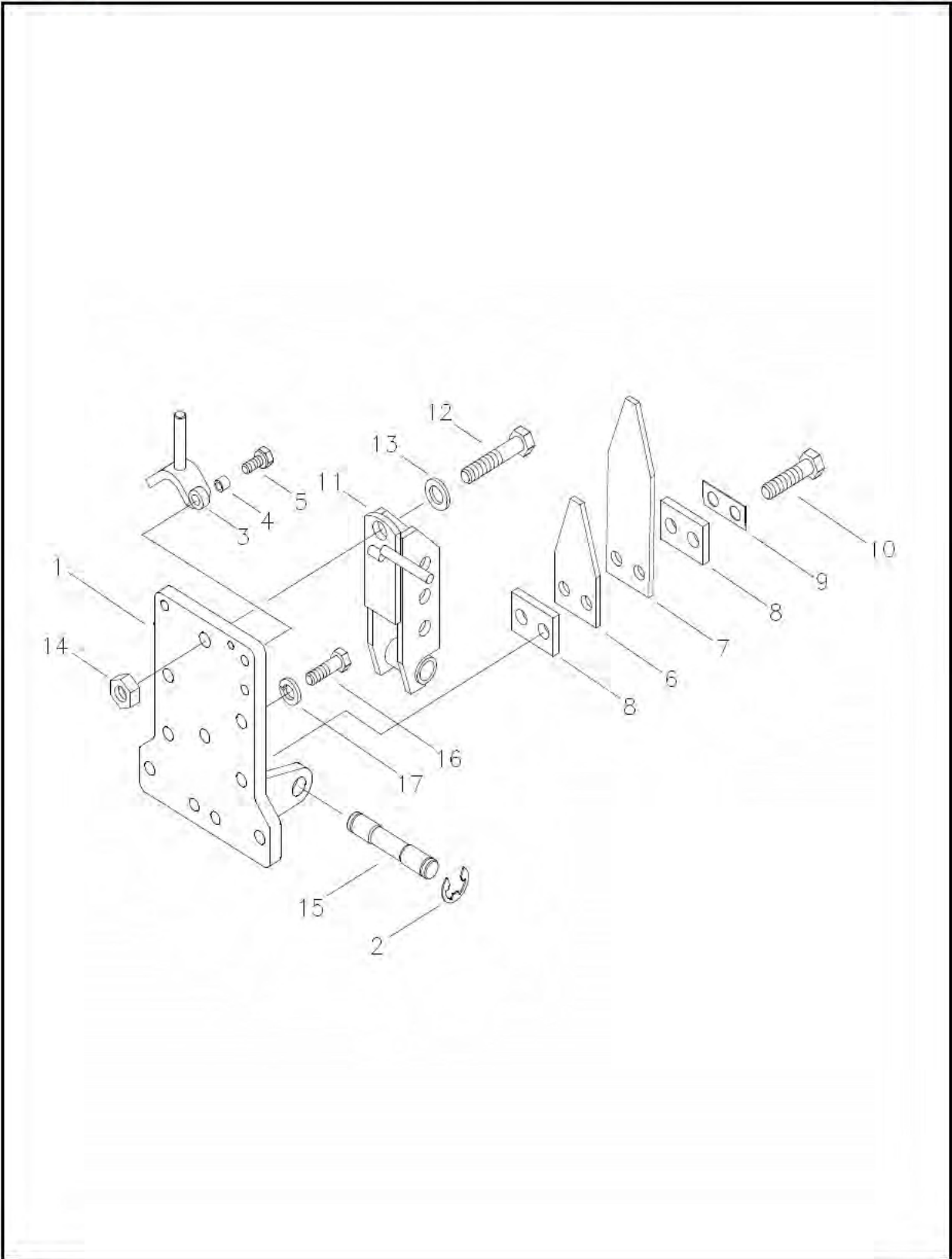
**FIG. 9-10**

NO.	PART NO.	PART NAME & DESCRIPTION		QTY	APP. NO	REM.
1~15	A1828044	BRACKET ASSY		1		
1	A1828043	BRACKET		1		
2	S814015003	RING, SNAP	Φ15×1.5	2		
3	3A1828010	STOPPER		1		
4	3A1828014	COLLER		1		
5	S155082533	BOLT, W / WASHER	M8×1.25×25L	1		
6	3A1828021	SPRING, LEAF		1		
7	3A1828022	SPRING, LEAF		1		
8	A1828057	PLATE		2		
9	S361140013	WASHER, SPR.		2		
10	S107144543	BOLT, HEX.		2		
11	A1828030	BRACKET, UPPER LINK		1		
12	S103167043	BOLT, HEX		1		
13	S364160053	WASHER, PLAIN		1		
14	S314160013	NUT, HEX		1		
15	3A1828025	PIN		1		
16	S101144043	BOLT, HEX		6		
17	S361140013	WASHER, SPRING		6		

# UPPER LINK BRACKET

FIG. 9-10

G. 828



# UPPER LINK BRACKET

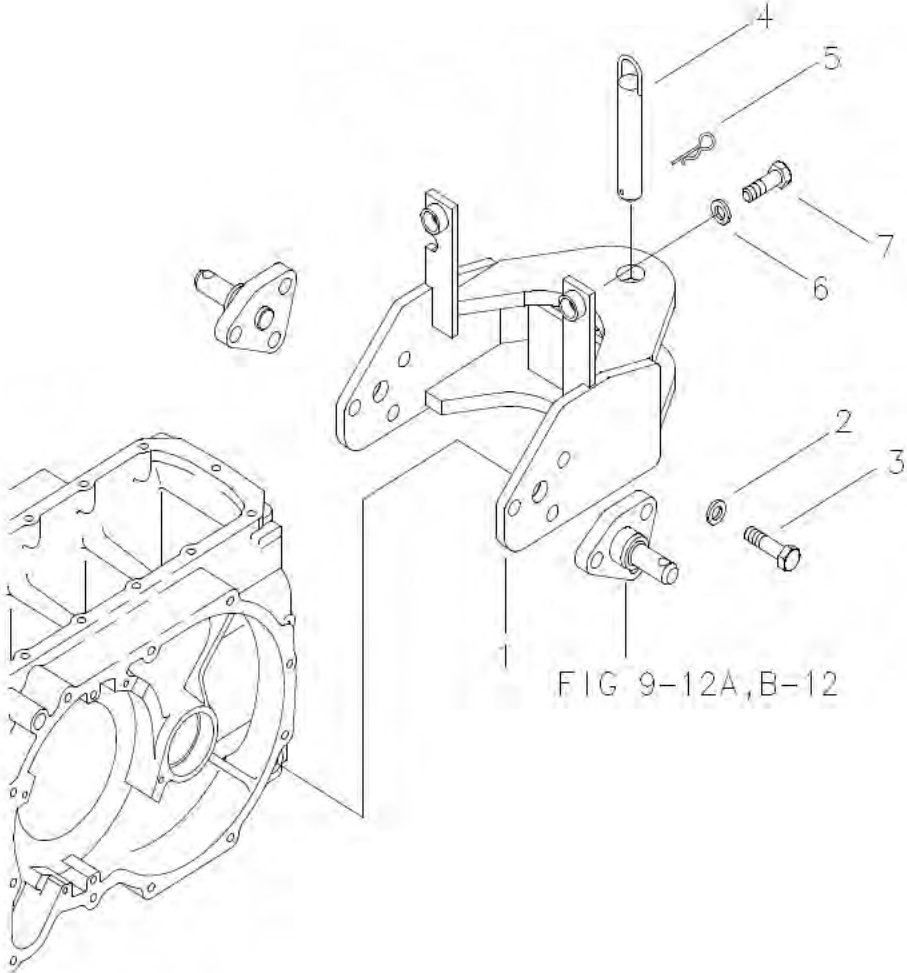
**FIG. 9-10**

NO.	PART NO.	PART NAME & DESCRIPTION		QTY	APP. NO	REM.
1~15	A1828044	BRACKET ASSY		1		
1	A1828043	BRACKET		1		
2	S814015003	RING, SNAP	Φ15×1.5	2		
3	3A1828010	STOPPER		1		
4	3A1828014	COLLER		1		
5	S155082533	BOLT, W / WASHER	M8×1.25×25L	1		
6	3A1828021	SPRING, LEAF		1		
7	3A1828022	SPRING, LEAF		1		
8	3A1828023	PLATE		2		
9	3A1828024	PLATE, LOCK		1		
10	S107144543	BOLT, HEX.		2		
11	A1828030	BRACKET, UPPER LINK		1		
12	S103167043	BOLT, HEX		1		
13	S364160053	WASHER, PLAIN		1		
14	S314160013	NUT, HEX		1		
15	3A1828025	PIN		1		
16	S101144043	BOLT, HEX		6		
17	S361140013	WASHER, SPRING		6		

# DRAWBAR HITCH

FIG. 9-11A

G. 891

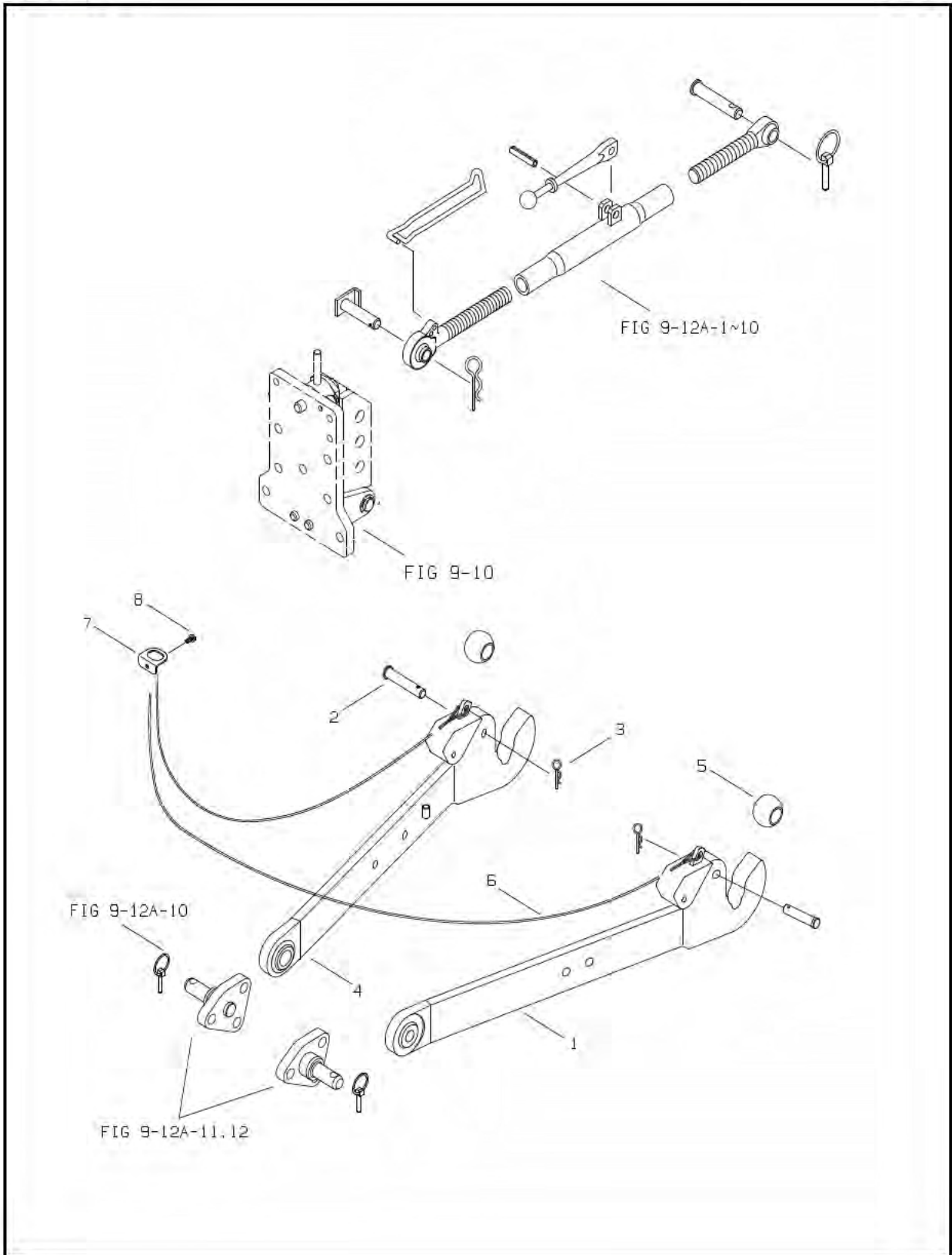




# UPPER & LOWER LINK

FIG. 9-12B

G. 896



# UPPER & LOWER LINK

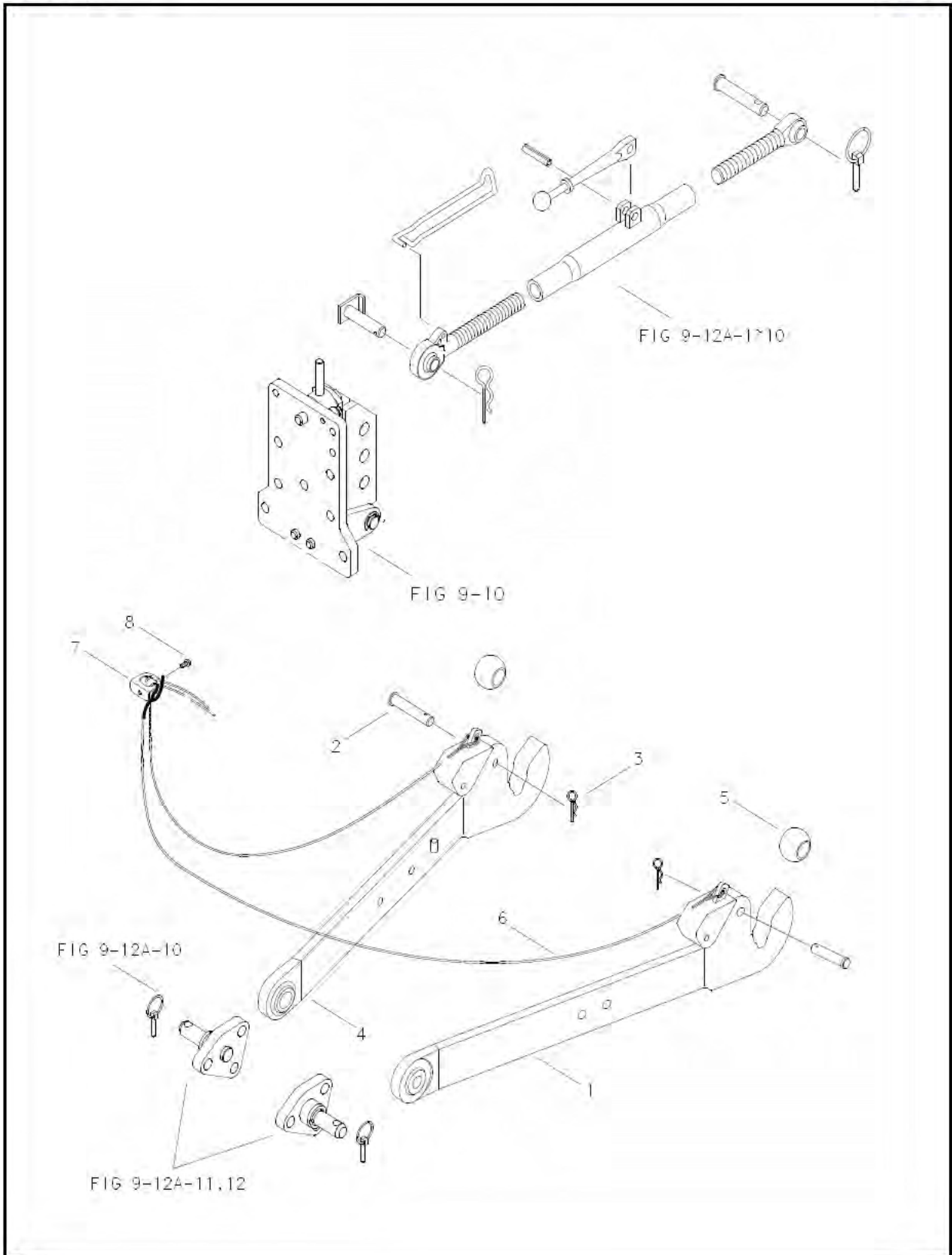
**FIG. 9-12B DO, VA ( F, AUTO HITCH )**

NO.	PART NO.	PART NAME & DESCRIPTION		QTY	APP. NO	REM.
1~3	A1896575	LOWER LINK ASSY(L)		1		
2~4	A1896576	LOWER LINK ASSY(R)		1		
1	A1896584	LOWER LINK(L)		1		
2	A1896388	PIN, AUTO HITCH		2		
3	S443100013	PIN, SNAP		2		
4	A1896585	LOWER LINK(R)		1		
5	A1896354	BUSHING, BALL	CAT1	2		
	A1896355	BUSHING, BALL	CAT2	2		
6	A1896314	CABLE, LOWER LINK		1		
7	A1896475	BRACKET, CABLE		1		
8	S159082033	BOLT, HEX	M8×1.25×20	1		

# UPPER & LOWER LINK

FIG. 9-12B

G. 896



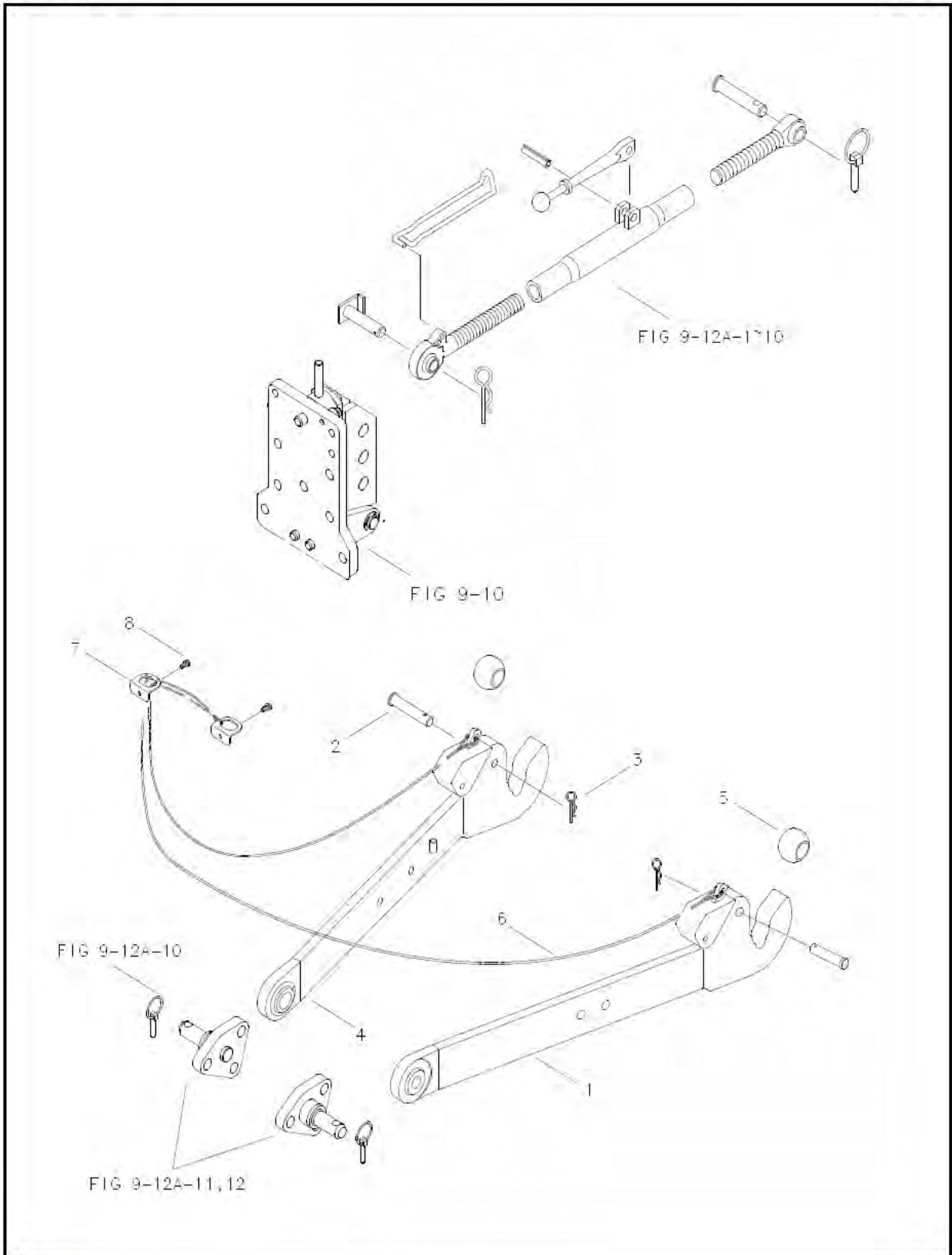




# UPPER & LOWER LINK

FIG. 9-12B

G. 896



# UPPER & LOWER LINK

FIG. 9-12B

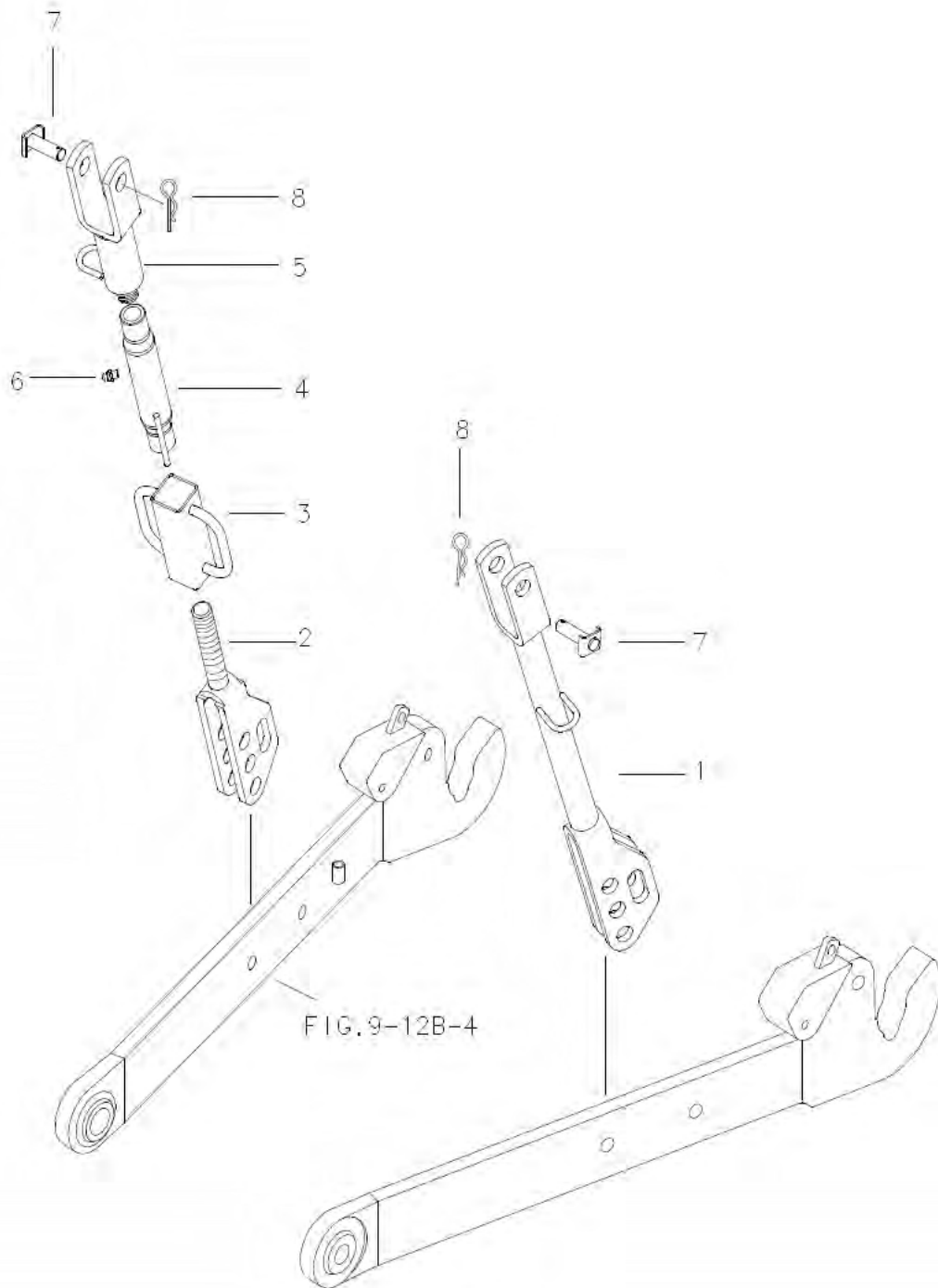
( F, AUTO HITCH )

NO.	PART NO.	PART NAME & DESCRIPTION		QTY	APP. NO	REM.
1~3	A1896447	LOWER LINK ASSY(L)		1		
2~4	A1896448	LOWER LINK ASSY(R)		1		
1	A1896452	LOWER LINK(L)		1		
2	A1896388	PIN, AUTO HITCH		2		
3	S443100013	PIN, SNAP		2		
4	A1896453	LOWER LINK(R)		1		
5	A1896354	BUSHING, BALL	CAT1	2		
	A1896355	BUSHING, BALL	CAT2	2		
6	A1896314	CABLE, LOWER LINK		1		
7	A1896475	BRACKET, CABLE		2		
8	S159082033	BOLT, HEX	M8×1.25×20	2		

# LIFT ROD

FIG. 9-13A

G. 896

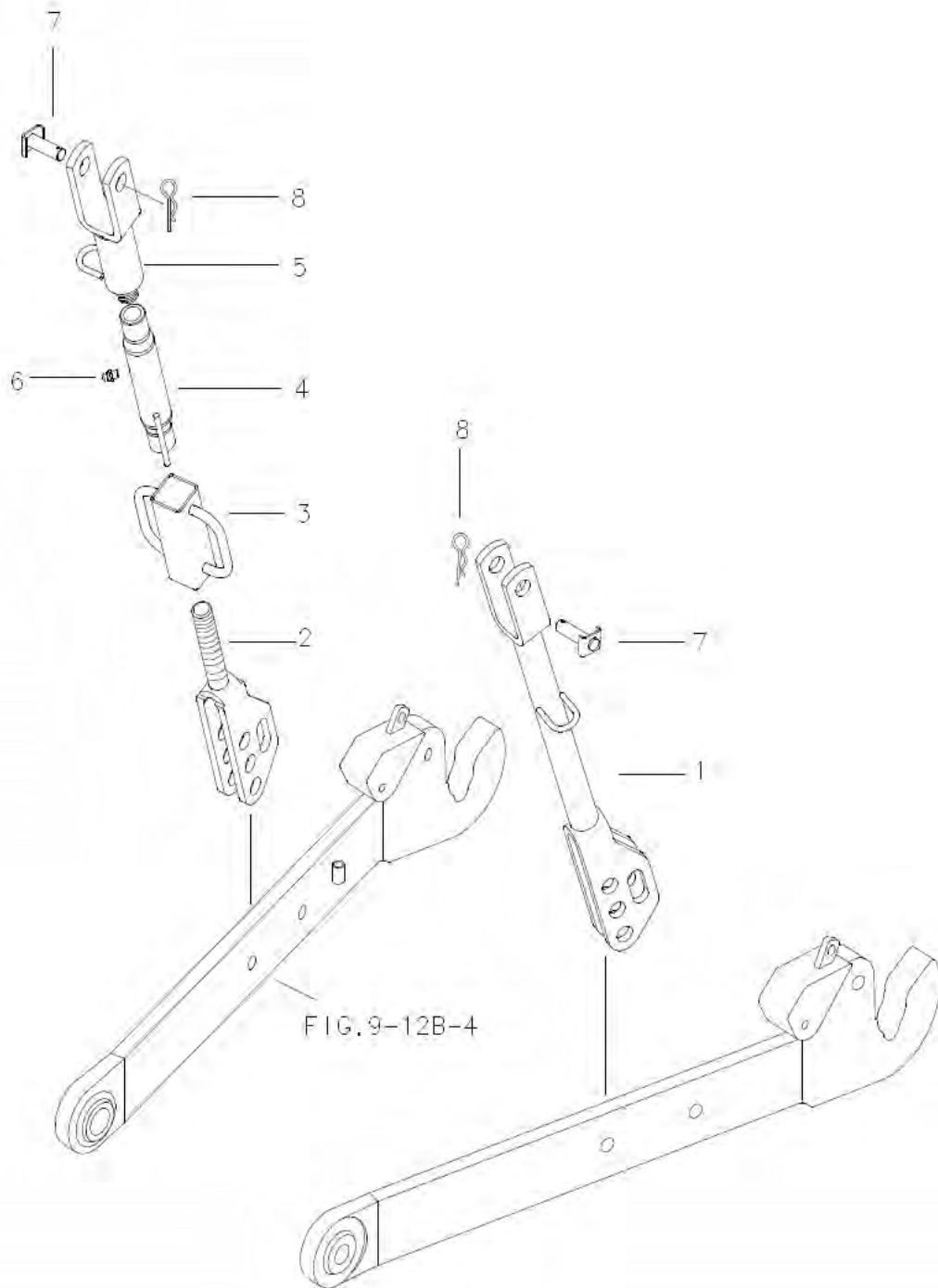




# LIFT ROD

FIG. 9-13A

G. 896

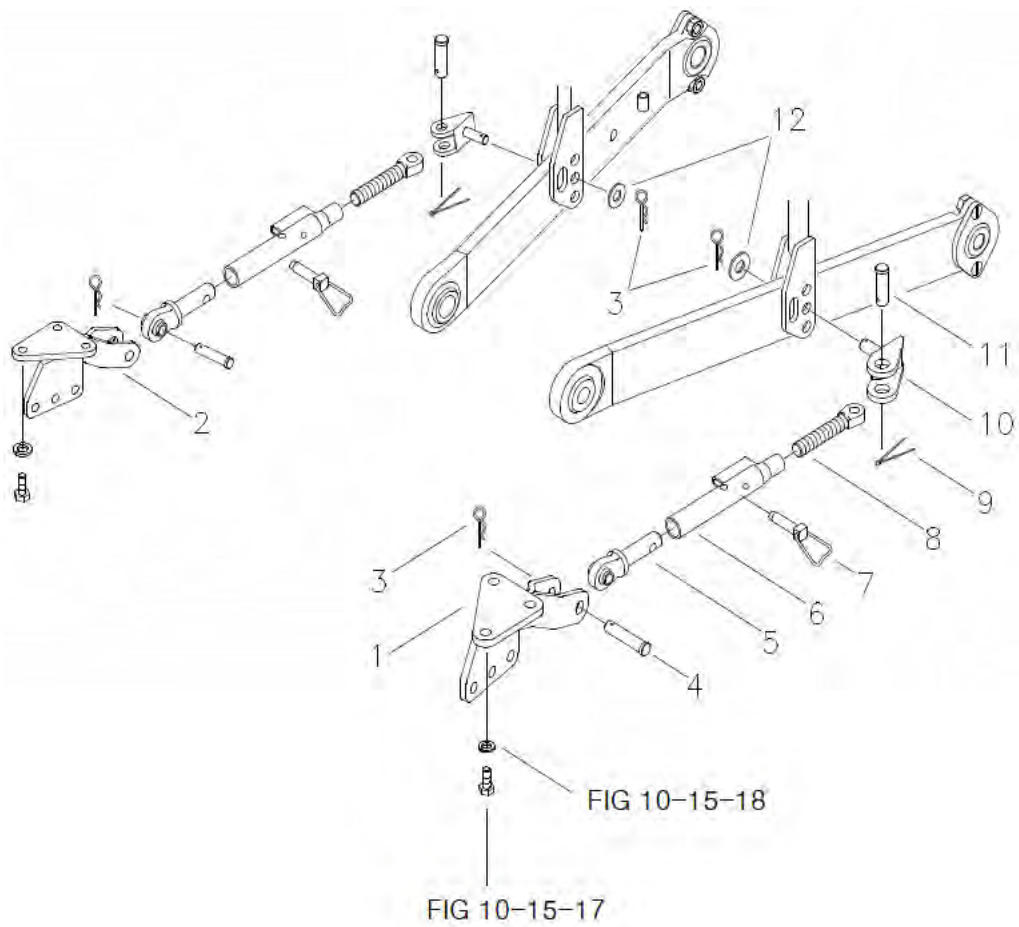




# CHECK LINK

FIG. 9-14A

G. 896





# CHECK LINK

FIG. 9-14A

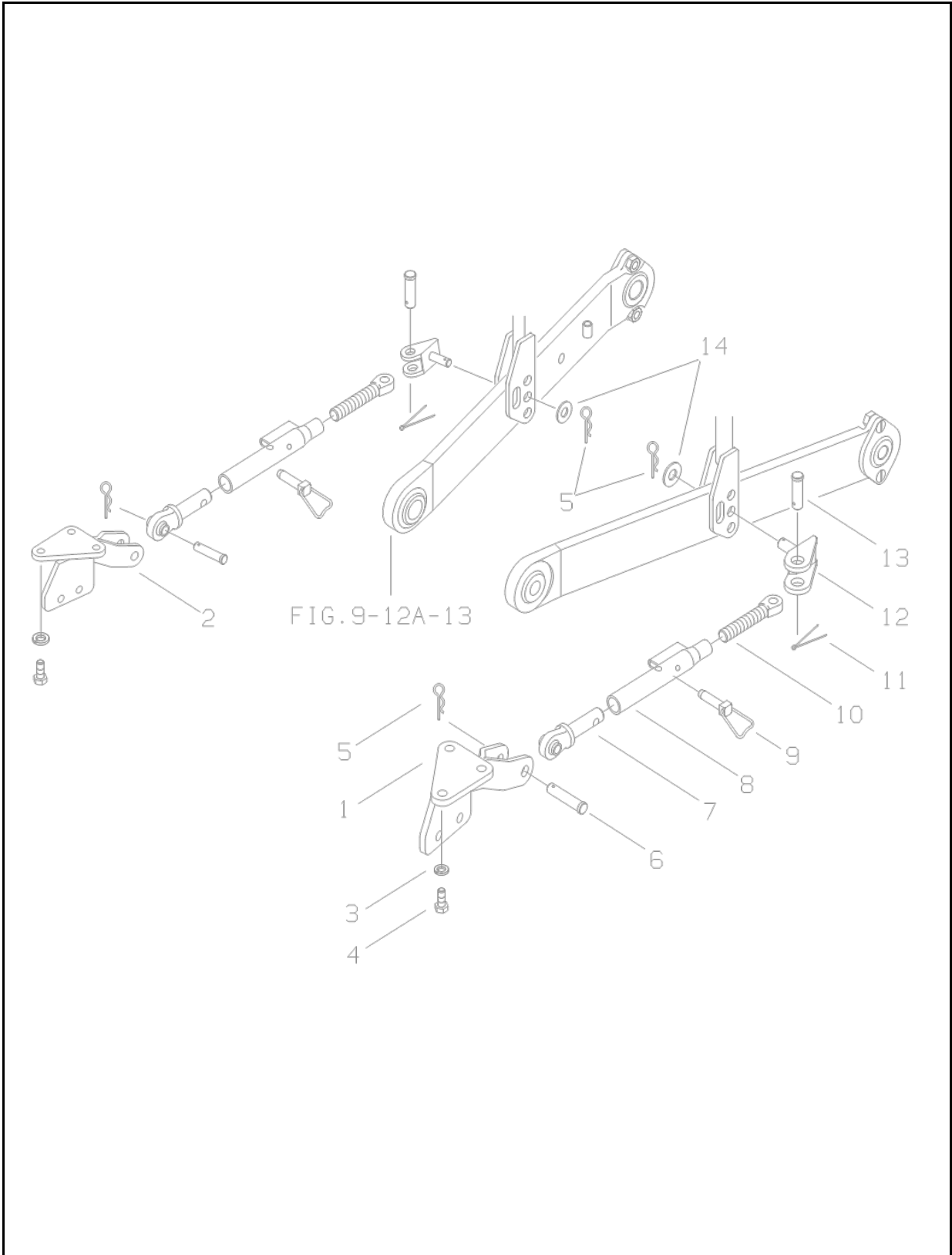
( F )

NO.	PART NO.	PART NAME & DESCRIPTION	QTY	APP. NO	REM.
1	A1896547	BRACKET, CHECK LINK(L)	1		
2	A1896548	BRACKET, CHECK LINK(R)	1		
3	3A1970091	PIN, SNAP	4		
4	A1896302	PIN, CHECK LINK(F)	2		
5~11	A1896450	CHECK LINK ASSY (L)	1		
	A1896451	CHECK LINK ASSY (R)	1		
5	A1896456	ROD, FRONT	2		
6	A1896462	SLEEVE, CHECK LINK	2		
7	A1896304	PIN, LINCH	2		
8	A1896457	ROD, SCREW REAR	2		
9	S441403613	PIN, SPLIT	2		
10	A1896458	PIN, CHECK LINK	2		
11	A1896461	PIN, CHECK LINK(R)	2		
12	S364200013	WASHER, PLAIN	2		

# CHECK LINK

FIG. 9-14C

G. 896



# CHECK LINK

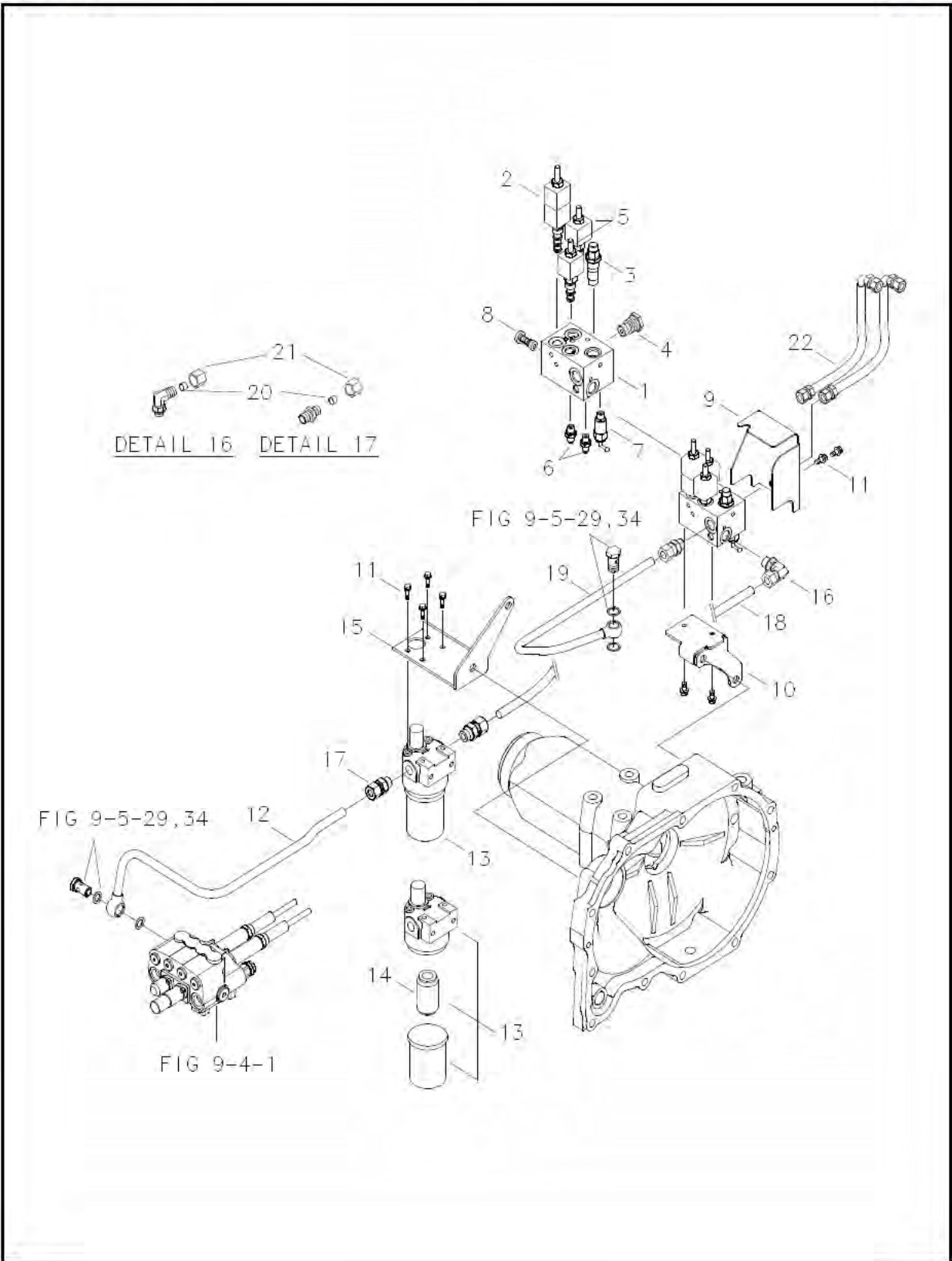
**FIG. 9-14C      AG, VA      ( C )**

NO.	PART NO.	PART NAME & DESCRIPTION	QTY	APP. NO	REM.
1	A1896537	BRACKET, CHECK LINK(L)	1		
2	A1896538	BRACKET, CHECK LINK(R)	1		
3	S361160013	WASHER, SPRING	6		
4	S103164043	BOLT, HEX	6		
5	3A1970091	PIN, SNAP	4		
6	A1896302	PIN, CHECK LINK(F)	2		
7~13	A1896450	CHECK LINK ASSY (L)	1		
	A1896451	CHECK LINK ASSY (R)	1		
7	A1896456	ROD, FRONT	2		
8	A1896462	SLEEVE, CHECK LINK	2		
9	A1896304	PIN, LINCH	2		
10	A1896457	ROD, SCREW REAR	2		
11	S441403613	PIN, SPLIT	2		
12	A1896458	PIN, CHECK LINK	2		
13	A1896461	PIN, CHECK LINK(R)	2		
14	S364200013	WASHER, PLAIN	2		

# AUTO LEVELING HYDRAULIC LINE

FIG. 9-15

G. 829



# AUTO LEVELING HYDRAULIC LINE

**FIG. 9-15**

**( LEVELING )**

NO.	PART NO.	PART NAME & DESCRIPTION		QTY	APP. NO	REM.
1~8	A1829054	LEVELING V/V ASSY		1		
1	A1829055	BODY, LEVELING V/V		1		
2	A1829037	VALVE, MAIN SOL		1		
3	A1829042	VALVE, LOGIC		1		
4	A1829043	VALVE, CHECK		1		
5	A1829040	VALVE, SOL POPPET		2		
6	A1896403	UNION	PF1/4	2		
7	A1829056	VALVE, STOP		1		
8	A1829046	VALVE, CHECK		1		
9	A1829048	COVER, LEVELING VALVE		1		
10	A1829047	BRACKET, VALVE		1		
11	S155082033	BOLT, HEX	M8×1.25×20L	8		
12,17	A1EMS509	M/PRESSURE ASSY		1		
12	A1829058	PIPE, M/PRESSURE LEVEL		1		
13	A1823357	IN-LINE FILTER ASSY		1		
14	A1823358	ELEMENT	20μ	1		
15	A1829057	BRACKET, FILTER		1		
16	A1823092	ELBOW	BOLM15-04G	1		
17	A1823144	JOINT	BOM15-04G	3		
16~18	A1EMS513	R/PRESSURE PIPE ASSY		1		
18	A1829059	PIPE, R/PRESSURE FILTER		1		
19,17	A1EMS514	DRAIN PIPE ASSY		1		
19	A1823367	PIPE, DRAIN L/CYL		1		
20	A1823033	SLEEVE	Φ15	4		
21	A1823034	NUT, HEX		4		
22	A1829010	HOSE, LIFT YLINDER		2		

# 본 체 부 품

## CHASSIS PART

---

### ■ 엔진 주변 부품 / ENGINE

연료 탱크 / FUEL TANK ----- FIG. 2-1 G. 040

### ■ 엔진 관련 /

조속 장치 / ENGINE CONTROL ----- FIG. 2-2 G. 100

소음기 / MUFFLER ----- FIG. 2-3 G. 150

라디에이터 / RADIATOR ----- FIG. 2-4 G. 170

에어 크리너 / AIR CLEANER ----- FIG. 2-5 G. 190

엔진 프레임 / ENGINE FRAME ----- FIG. 2-6 G. 210

### ■ 동력 전달 / TM

클러치 / CLUTCH ----- FIG. 3-1 G. 250

클러치 하우징 / CLUTCH HOUSING ----- FIG. 3-2 G. 250

클러치 페달 / CLUTCH PEDAL ----- FIG. 3-3 G. 260

트랜스미션 케이스 / TRANSMISSION CASE ----- FIG. 3-4 G. 280

주축 / MAIN SHAFT ----- FIG. 3-5 G. 281,283

주변속 축 / MAIN GEAR SHAFT ----- FIG. 3-6 G. 281

부변속 축 / RANGE GEAR SHAFT ----- FIG. 3-7 G. 285

초저속 축 / CREEPER SHAFT ----- FIG. 3-8 G. 285

피티오 축 / PTO SHAFT ----- FIG. 3-9 G. 283

피티오 구동축 / PTO DRIVE SHAFT ----- FIG. 3-10 G. 287

피티오 브레이크 / PTO BRAKE ----- FIG. 3-11 G. 283

전륜구동 축 / FRONT WHEEL DRIVE SHAFT ----- FIG. 3-12 G. 288

변속 포크 / SHIFT FORK ----- FIG. 3-13 G. 290,291

변속 레버 / SHIFT LEVER ----- FIG. 3-14 G. 290,291

전후진 레버 / F-R SHIFT LEVER ----- FIG. 3-15 G. 291

주변속 레버 / MAIN GEAR LEVER ----- FIG. 3-16 G. 292

부변속 레버 / RANGE GEAR LEVER ----- FIG. 3-17 G. 292

피티오 변속 레버 / PTO SHIFT LEVER ----- FIG. 3-18 G. 293

### ■ 차동 장치 / DIFF. LOCK

차동 고정장치 / DIFF-LOCK ----- FIG. 4-1 G. 310

차동장치 / REAR DIFFERENTIAL ----- FIG. 4-2 G. 320

전륜 구동 커버 / FRONT WHEEL DRIVE PROP COVER ----- FIG. 4-3 G. 380

### ■ 앞차축, 뒷차축 / FRONT, REAR AXLE

앞차축 조립체 / FRONT AXLE ASSY ----- FIG. 5-1 G. 400

앞차축 케이스 / FRONT AXLE CASE ----- FIG. 5-2 G. 400

앞차축 차동장치 / FRONT DIFFERENTIAL ----- FIG. 5-3 G. 400

앞차축 구동장치 / FRONT DRIVE ----- FIG. 5-4 G. 400

뒷차축 최동구동 / REAR AXLE ----- FIG. 5-5 G. 480

### ■ 앞차축, 뒷차축 / FRONT, REAR AXLE

앞, 뒤 타이어 / FRONT & REAR WHEEL (TIRE) ----- FIG. 5-6 G. 490

### ■ 조향 장치 /

타이로드 / TIE ROD ----- FIG. 6-1 G. 610

조향 실린더 및 라인 / STEERING CYLINDER & LINES ----- FIG. 6-2 G. 630

조향 휠 및 칼럼 / STEERING WHEEL & COLUMN ----- FIG. 6-3 G. 630

■ 브레이크 장치 /

브레이크 / BRAKE ----- FIG. 7-1 G. 650  
브레이크 페달 / BRAKE PEDALS ----- FIG. 7-2 G. 670  
주차 브레이크 / PARKING BRAKE PEDAL ----- FIG. 7-3 G. 670

■ 전기 장치 /

전기 배선 / ELECTRICAL WIRING ----- FIG. 8-1 G. 730  
축전지 / BATTERY ----- FIG. 8-2 G. 740  
계기 판넬 / METER PANEL ----- FIG. 8-3 G. 750  
램프 / LAMP ----- FIG. 8-4 G. 760  
배선, 콘트롤러 및 센서 (수평 제어) / WIRE, CON. & SENSOR ----- FIG. 8-5 G. 750

■ 유압 장치 /

유압 하우징 / HYDRAULIC HOUSING ----- FIG. 9-1 G. 820  
리프트 제어밸브 및 링크 / LIFT CONTROL VALVE & LINK ----- FIG. 9-2 G. 822  
TM 제어밸브 / TM CONTROL VALVE ----- FIG. 9-3 G. 822  
유압인출 및 로더밸브 / FRONT OUTLET & LOADER VALVE ----- FIG. 9-4 G. 822  
유압 라인 / HYDRAULIC LINES ----- FIG. 9-5 G. 823  
견인 제어 링크 / DRAFT CONTROL LINK ----- FIG. 9-6 G. 824  
유압 제어 레버 / HYDRULIC CONTROL LEVER ----- FIG. 9-7 G. 825  
유압 실린더 / HYDRAULIC CYLINDER ----- FIG. 9-8 G. 826  
원격 유압 밸브 / REMOTE CONTROL VALVE ----- FIG. 9-9 G. 827  
상부 링크 브라켓트 / UPPER LINK BRACKET ----- FIG. 9-10 G. 828  
드로우바 히치 / DRAWBAR HITCH ----- FIG. 9-11 G. 891  
상부 및 하부 링크 / UPPER & LOWER LINK ----- FIG. 9-12 G. 828  
리프트 로드 / LIFT ROD ----- FIG. 9-13 G. 896  
체크링크 / CHECK LINK ----- FIG. 9-14 G. 896  
수평제어 유압라인 / AUTO LEVELING HYDRAULIC LINE ----- FIG. 9-15 G. 829

■ 외장 / SHEET METAL, INTERIOR

후드 / HOOD ----- FIG. 10-1 G. 830  
마운트 / MOUNT ----- FIG. 10-3 G. 840  
의자 / SEAT ----- FIG. 10-4 G. 850  
출입문 / DOOR ----- FIG. 10-5 G. 862  
전방창, 측방창 / FRONT & SIDE WINDOW ----- FIG. 10-6 G. 863  
후방창 / REAR WINDOW ----- FIG. 10-7 G. 863  
내장재 / INTERIOR ----- FIG. 10-8 G. 864  
에어컨 / AIR CONDITIONER ----- FIG. 10-9 G. 865  
윈도우 와이퍼 / WINDOW WIPER ----- FIG. 10-10 G. 866  
지붕 / ROOF ----- FIG. 10-11 G. 867  
외장재 / EXTERIOR ----- FIG. 10-12 G. 868  
공용품 / COMMON ----- FIG. 10-13 G. 869  
펜더 / FENDER ----- FIG. 10-14 G. 870  
보호구조물 / ROPS ----- FIG. 10-15 G. 880

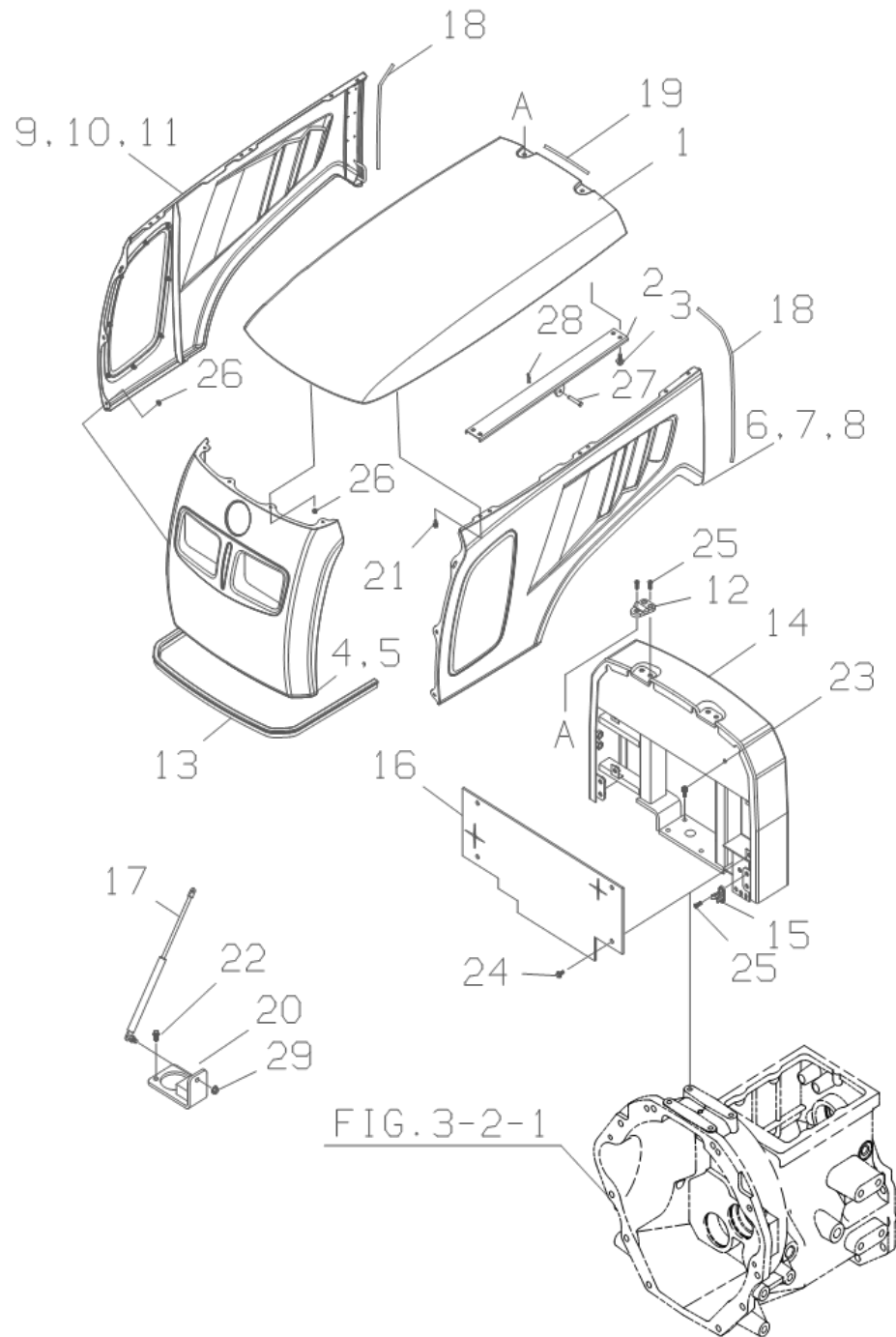
■ 공구, 데칼 /

공구 / TOOLS ----- FIG. 11-1 G. 920  
데칼 / DECAL ----- FIG. 11-2 G. 980

# HOOD

FIG. 10-1E

G. 830





# HOOD

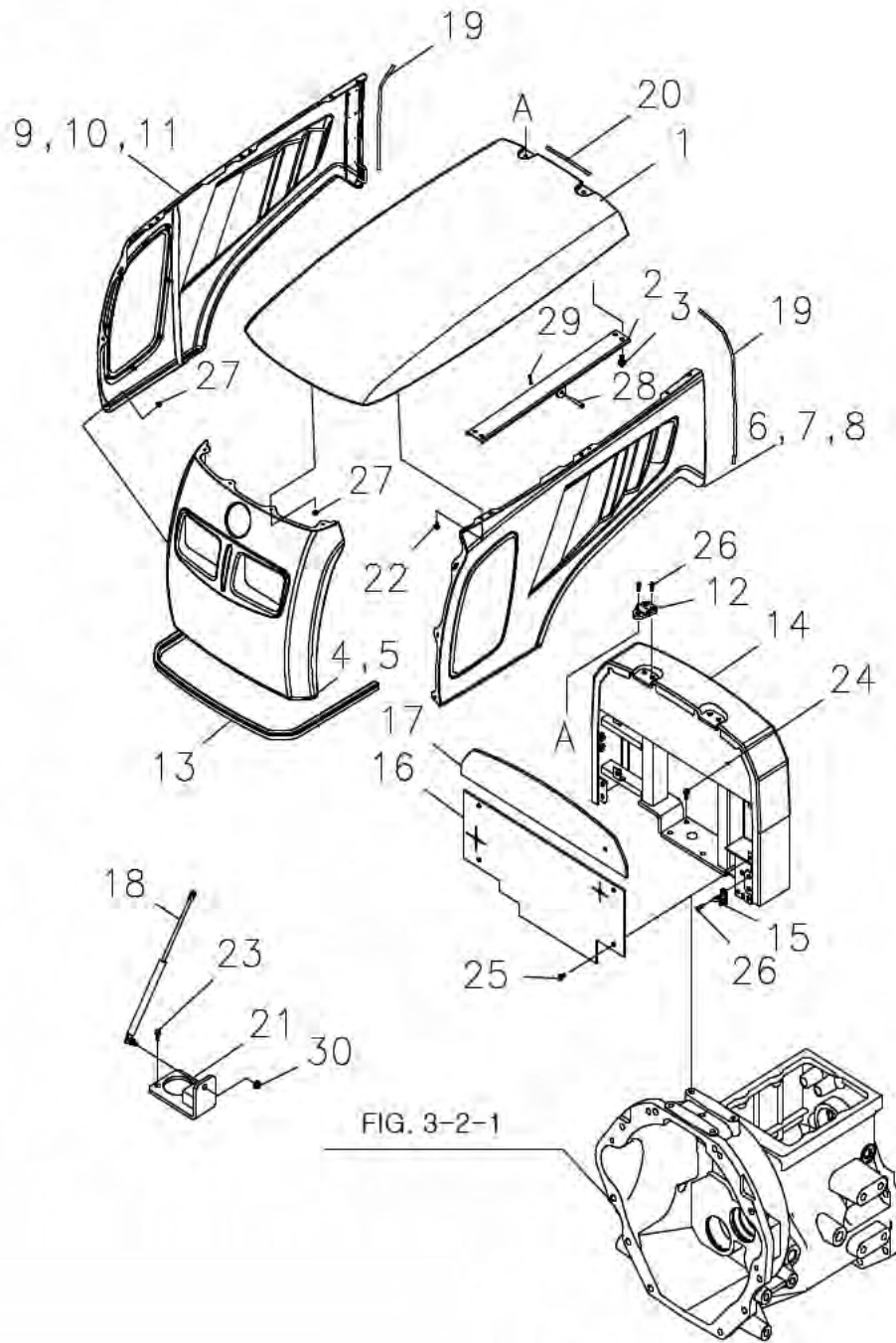
**FIG. 10-1E AG (F)**

NO.	PART NO.	PART NAME & DESCRIPTION	QTY	APP. NO	REM.
1~3	A1830550	BONNET ASSY	GREEN	1	
1	A1830551	HOOD BONNET	GREEN	1	
2	A1830552	BRACKET, HOOD	GREEN	1	
3	S155081613	BOLT, HEX. W/WASHER	M8X1.25X16L	4	
4~5	A1830675	GRILLE ASSY		1	
4	A1830411	GRILLE		1	
5	A5000196	HEAD LAMP ASSY		2	
6~8	A1830553	SIDE COVER ASSY LH	GREEN	1	
6	A1830414	SIDE GRILLE LH		1	
7	A1830554	SIDE COVER LH	GREEN	1	
8	S345050013	NUT, FLANGE B-TY	M5x0.8	8	
9~11	A1830555	SIDE COVER ASSY RH	GREEN	1	
9	A1830415	SIDE GRILLE RH		1	
10	A1830556	SIDE COVER RH	GREEN	1	
11	S345050013	NUT, FLANGE B-TY	M5x0.8	8	
12	A1830157	HOOD HINGE ASSY		2	
13	A1830420	WEATHER STRIP, GRILLE		1	
14	A1830466	BAND FRAME, BONNET		1	
15	A1830442	GUIDE, HOOD		2	
16	A1830467	PLATE, INSULATION-A		1	
17	A1830473	GAS CYLINDER		1	
18	A1970364	WEATHER STRIP		2	
19	A1970365	WEATHER STRIP		1	
20	A1830652	BRK. GAS CYLINDER		1	
21	S159061633	BOLT, HEX W/WASHER	M6x1.0x16L	8	
22	S155083533	BOLT, HEX W/WASHER	M8x1.25x35L	2	
23	S156102533	BOLT, HEX W/WASHER	M10x1.25x30L	4	
24	S159081633	BOLT, HEX W/WASHER	M8x1.25x16L	5	
25	S220802511	SCREW	M8x1.25x25L	10	
26	S345060013	NUT, FLANGE B-TY	M6X1.0	8	
27	S427085023	PIN, HEAD B-TY.	Φ8/Φ12x50L	1	
28	S443080013	PIN, SNAP A-TYPE	Φ8x27.7	1	
29	S345080013	NUT, FLANGE B-TY	M8x1.25	1	

# HOOD

FIG. 10-1A

G. 830



# HOOD

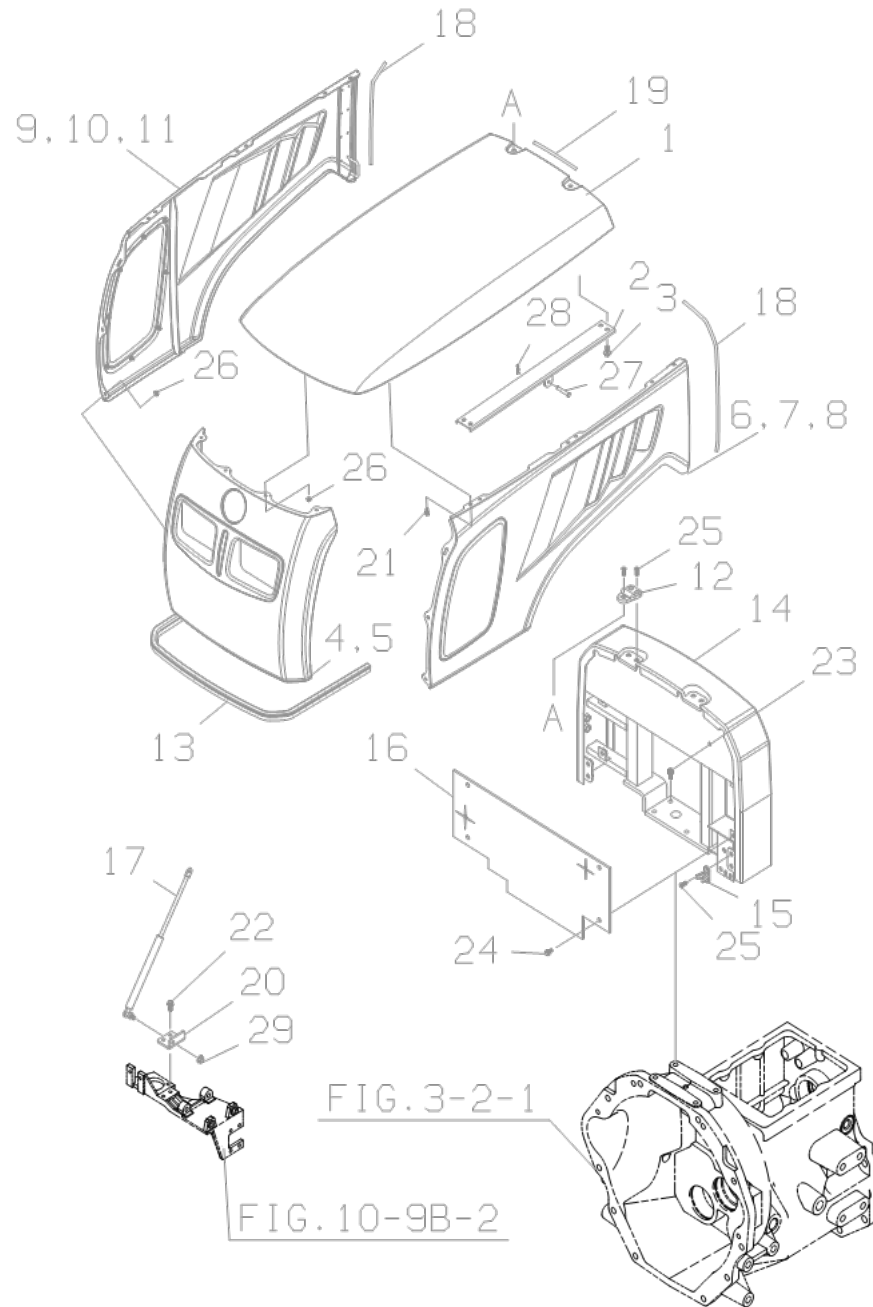
**FIG. 10-1A DO (F)**

NO.	PART NO.	PART NAME & DESCRIPTION		QTY	APP. NO	REM.
1~3	A1830527	BONNET ASSY		*		
	A1830537	BONNET ASSY		1		
1	A1830526	HOOD BONNET		*		
	A1830536	HOOD BONNET		1		
2	A1830533	BRACKET, HOOD		1		
3	S155081613	BOLT,HEX. W/WASHER	M8X1.25X16L	4		
4~5	A1830390	GRILLE ASSY		1		
4	A1830411	GRILLE		1		
5	A5000196	HEAD LAMP ASSY		2		
6~8	A1830529	SIDE COVER ASSY LH		1		
6	A1830414	SIDE GRILLE LH		1		
7	A1830528	SIDE COVER LH		1		
8	S345050013	NUT, FLANGE B-TY	M5x0.8	8		
9~11	A1830531	SIDE COVER ASSY RH		1		
9	A1830415	SIDE GRILLE RH		1		
10	A1830530	SIDE COVER RH		1		
11	S345050013	NUT, FLANGE B-TY	M5x0.8	8		
12	A1830157	HOOD HINGE ASSY		2		
13	A1830420	WEATHER STRIP, GRILLE		1		
14	A1830466	BAND FRAME, BONNET		1		
15	A1830442	GUIDE, HOOD		2		
16	A1830467	PLATE,INSULATION-A		1		
17	A1830468	PLATE,INSULATION-B		1		
18	A1830473	GAS CYLINDER		1		
19	A1970364	WEATHER STRIP		2		
20	A1970365	WEATHER STRIP		1		
21	A1830677	BRK.GAS CYLINDER		*		
	A1830652	BRK.GAS CYLINDER		1		
22	S159061633	BOLT, HEX W/WASHER	M6x1.0x16L	8		
23	S155083533	BOLT, HEX W/WASHER	M8x1.25x35L	2		
24	S156102533	BOLT, HEX W/WASHER	M10x1.25x30L	4		
25	S159081633	BOLT, HEX W/WASHER	M8x1.25x16L	5		
26	S220802511	SCREW	M8x1.25x25L	10		
27	S345060013	NUT, FLANGE B-TY	M6X1.0	8		
28	S427085023	PIN, HEAD B-TY.	Φ8/Φ12x50L	1		
29	S443080013	PIN, SANP A-TYPE	Φ8x27.7	1		
30	S345080013	NUT, FLANGE B-TY	M8x1.25	1		

# HOOD

FIG. 10-1F

G. 830



# HOOD

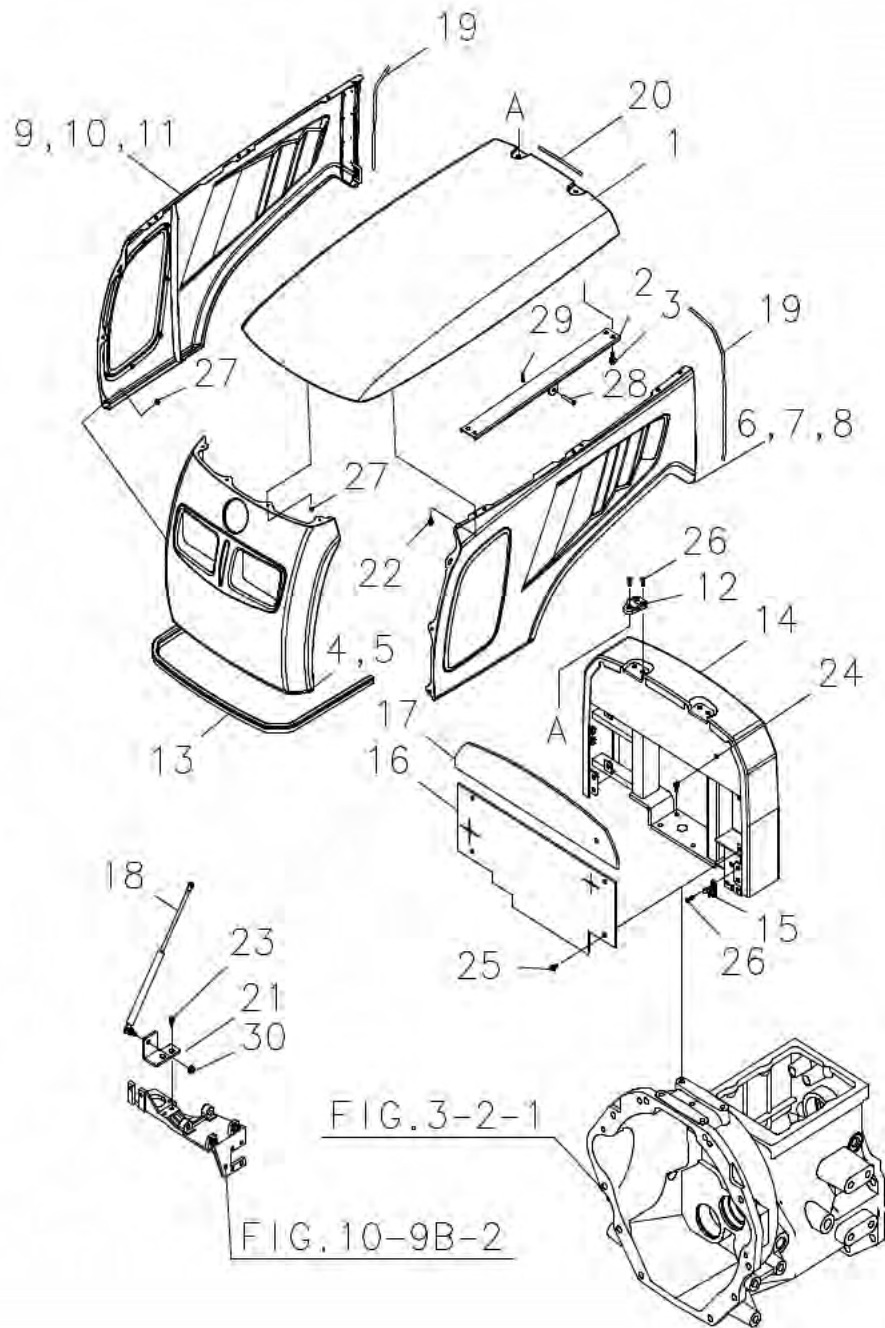
**FIG. 10-1F AG (C)**

NO.	PART NO.	PART NAME & DESCRIPTION	QTY	APP. NO	REM.
1~3	A1830550	BONNET ASSY	GREEN	1	
1	A1830551	HOOD BONNET	GREEN	1	
2	A1830552	BRACKET, HOOD	GREEN	1	
3	S155081613	BOLT, HEX. W/WASHER	M8X1.25X16L	4	
4~5	A1830675	GRILLE ASSY		1	
4	A1830411	GRILLE		1	
5	A5000196	HEAD LAMP ASSY		2	
6~8	A1830553	SIDE COVER ASSY LH	GREEN	1	
6	A1830414	SIDE GRILLE LH		1	
7	A1830554	SIDE COVER LH	GREEN	1	
8	S345050013	NUT, FLANGE B-TY	M5x0.8	8	
9~11	A1830555	SIDE COVER ASSY RH	GREEN	1	
9	A1830415	SIDE GRILLE RH		1	
10	A1830556	SIDE COVER RH	GREEN	1	
11	S345050013	NUT, FLANGE B-TY	M5x0.8	8	
12	A1830157	HOOD HINGE ASSY		2	
13	A1830420	WEATHER STRIP, GRILLE		1	
14	A1830466	BAND FRAME, BONNET		1	
15	A1830442	GUIDE, HOOD		2	
16	A1830467	PLATE, INSULATION-A		1	
17	A1830473	GAS CYLINDER		1	
18	A1970364	WEATHER STRIP		2	
19	A1970365	WEATHER STRIP		1	
20	A1830479	BRK. GAS CYLINDER		1	
21	S159061633	BOLT, HEX W/WASHER	M6x1.0x16L	8	
22	S155082533	BOLT, HEX	M8x1.25x25L	2	
23	S156102533	BOLT, HEX W/WASHER	M10x1.25x30L	4	
24	S159081633	BOLT, HEX W/WASHER	M8x1.25x16L	5	
25	S220802511	SCREW	M8x1.25x25L	10	
26	S345060013	NUT, FLANGE B-TY	M6X1.0	8	
27	S427085023	PIN, HEAD B-TY.	Φ8/Φ12x50L	1	
28	S443080013	PIN, SNAP A-TYPE	Φ8x27.7	1	
29	S345080013	NUT, FLANGE B-TY	M8x1.25	1	

# HOOD

FIG. 10-1B

G. 830



# HOOD

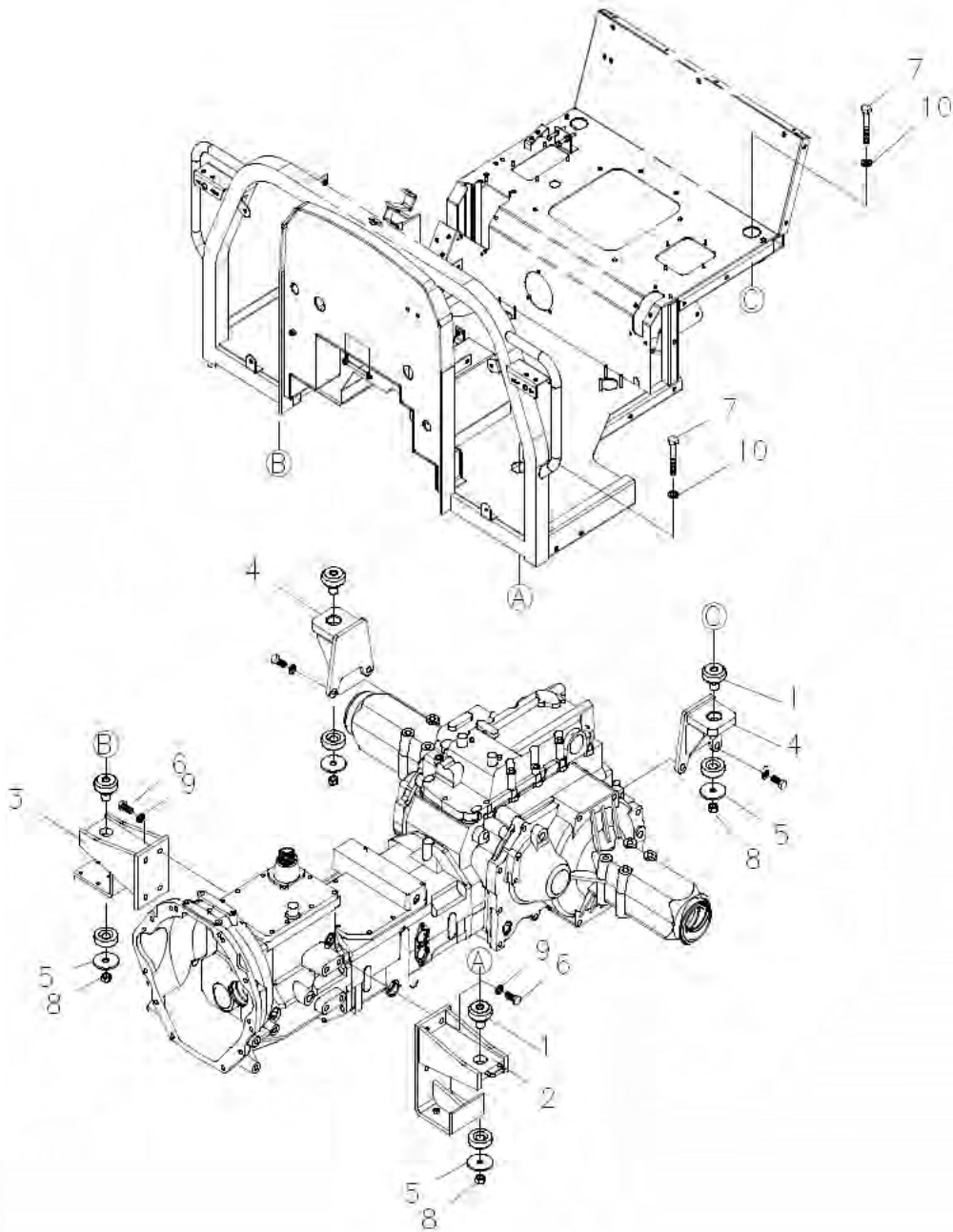
**FIG. 10-1B DO (C)**

NO.	PART NO.	PART NAME & DESCRIPTION		QTY	APP. NO	REM.
1~3	A1830527	BONNET ASSY		*		
	A1830537	BONNET ASSY		1		
1	A1830526	HOOD BONNET		*		
	A1830536	HOOD BONNET		1		
2	A1830533	BRACKET, HOOD		1		
3	S155081613	BOLT,HEX. W/WASHER	M8X1.25X16L	4		
4~5	A1830390	GRILLE ASSY		1		
4	A1830411	GRILLE		1		
5	A5000196	HEAD LAMP ASSY		2		
6~8	A1830529	SIDE COVER ASSY LH		1		
6	A1830414	SIDE GRILLE LH		1		
7	A1830528	SIDE COVER LH		1		
8	S345050013	NUT, FLANGE B-TY	M5x0.8	8		
9~11	A1830531	SIDE COVER ASSY RH		1		
9	A1830415	SIDE GRILLE RH		1		
10	A1830530	SIDE COVER RH		1		
11	S345050013	NUT, FLANGE B-TY	M5x0.8	8		
12	A1830157	HOOD HINGE ASSY		2		
13	A1830420	WEATHER STRIP, GRILLE		1		
14	A1830466	BAND FRAME, BONNET		1		
15	A1830442	GUIDE, HOOD		2		
16	A1830467	PLATE,INSULATION-A		1		
17	A1830468	PLATE,INSULATION-B		1		
18	A1830473	GAS CYLINDER		1		
19	A1970364	WEATHER STRIP		2		
20	A1970365	WEATHER STRIP		1		
21	A1830471	BRK.GAS CYLINDER		*		
	A1830479	BRK.GAS CYLINDER		1		
22	S159061633	BOLT, HEX W/WASHER	M6x1.0x16L	8		
23	S155082533	BOLT,HEX	M8x1.25x25L	2		
24	S156102533	BOLT, HEX W/WASHER	M10x1.25x30L	4		
25	S159081633	BOLT, HEX W/WASHER	M8x1.25x16L	5		
26	S220802511	SCREW	M8x1.25x25L	10		
27	S345060013	NUT, FLANGE B-TY	M6X1.0	8		
28	S427085023	PIN, HEAD B-TY.	Φ8/Φ12x50L	1		
29	S443080013	PIN, SANP A-TYPE	Φ8x27.7	1		
30	S345080013	NUT, FLANGE B-TY	M8x1.25	1		

# MOUNT

FIG. 10-3A

G. 840





# MOUNT

**FIG. 10-3A**

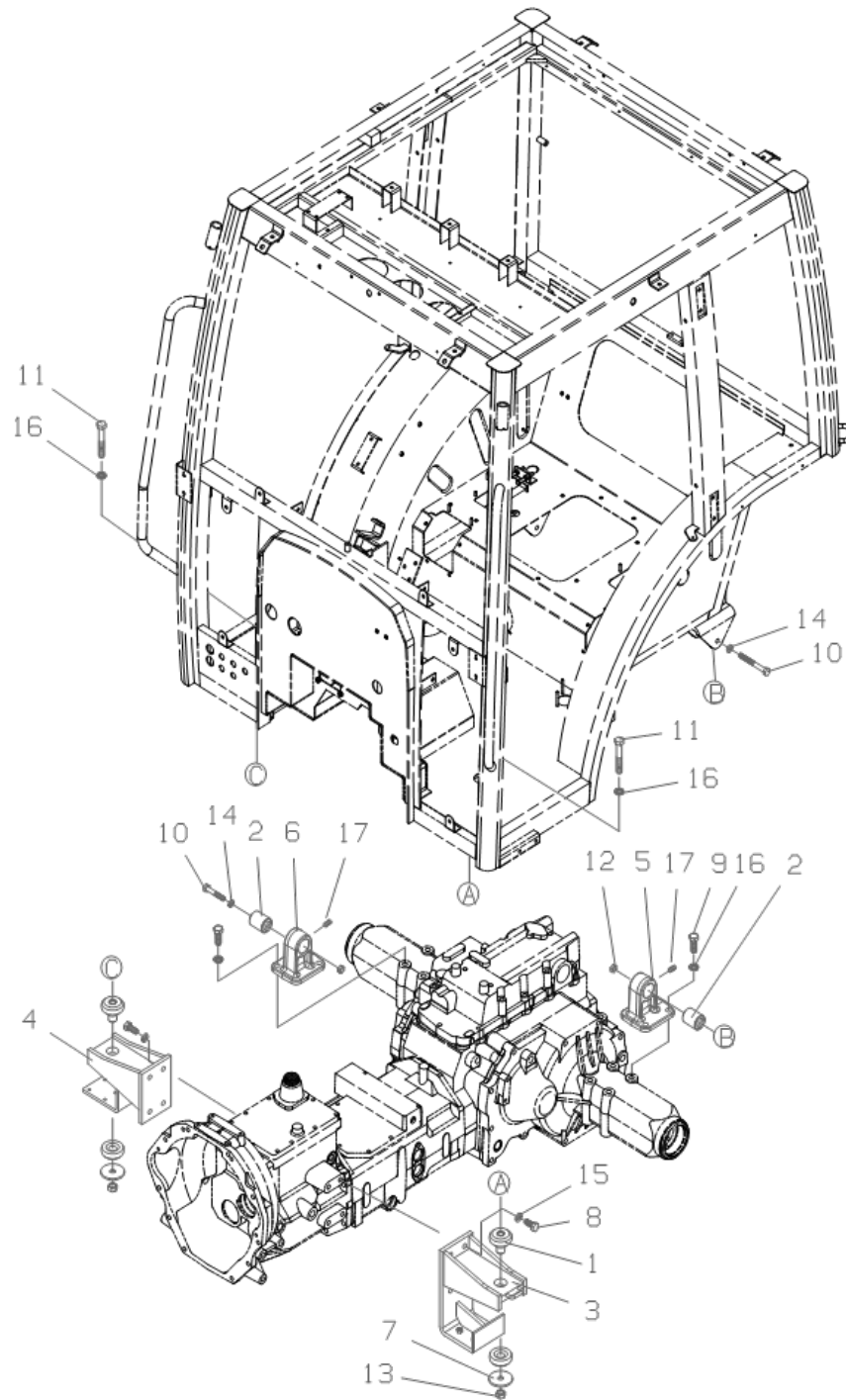
**( F )**

NO.	PART NO.	PART NAME & DESCRIPTION		QTY	APP. NO	REM.
1	A5000552	MOUNT, FRONT		4		
2	A1840168	BKT, CAB. FRONT MTG. LH		1		
3	A1840169	BKT, CAB. FRONT MTG. RH		1		
4	A1840274	BKT, CAB. REAR MTG.		2		
5	A1840236	WASHER, REBOUND		4		
6	S101143543	BOLT, HEX.	M14x2.0x35L	8		
7	S104161053	BOLT, HEX.	M16x1.5x100L	4		
8	S306160053	NUT, HEX. 2-TY	M16x1.5	4		
9	S361140013	WASHER, SPR. 1-TY	Φ24.5/Φ14.2x3.5T	8		
10	S361160013	WASHER, SPR. 1-TY	Φ28/Φ16.2x4T	4		

# MOUNT

FIG. 10-3B

G. 840



# MOUNT

**FIG. 10-3B**

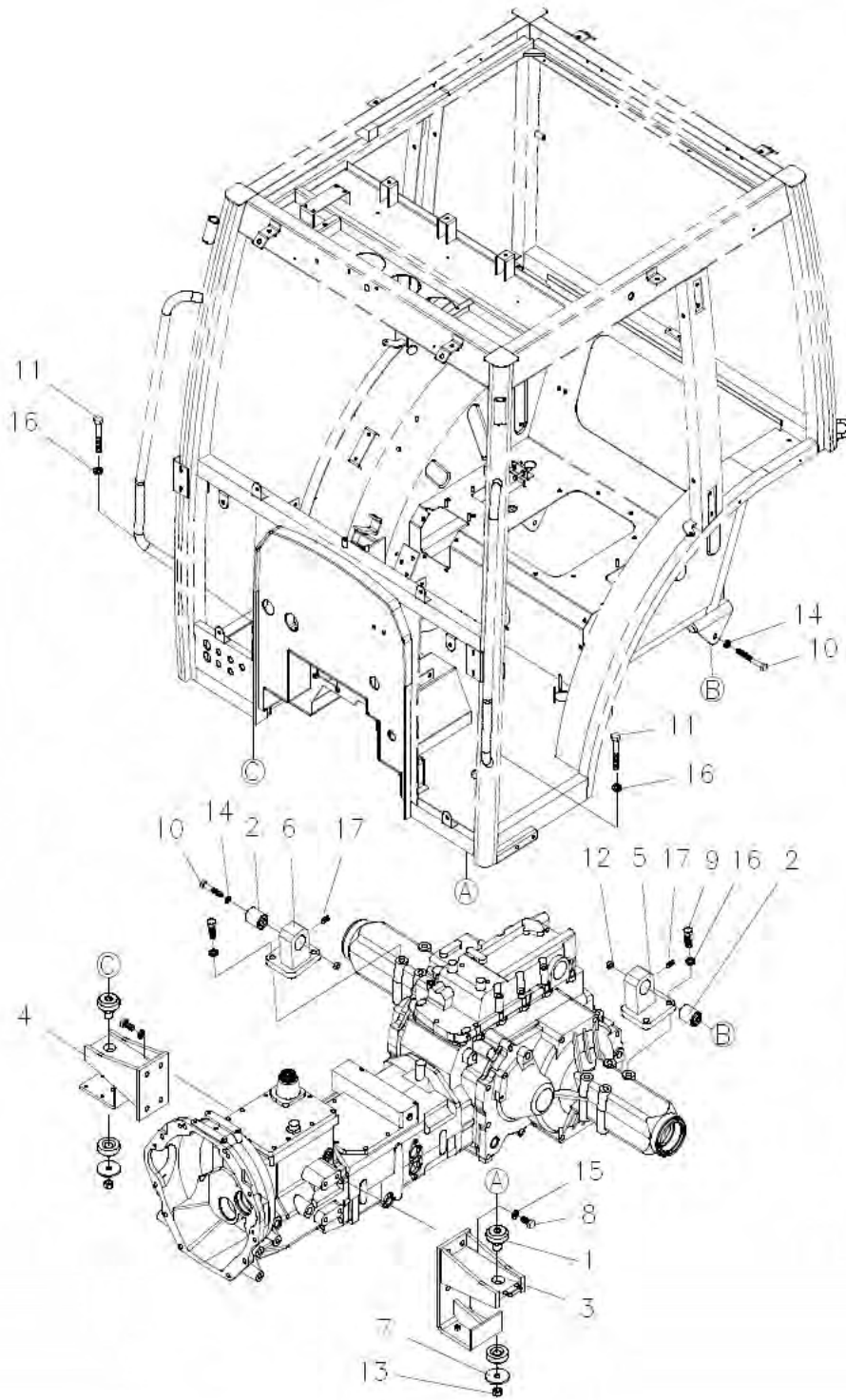
**( C )**

NO.	PART NO.	PART NAME & DESCRIPTION	QTY	APP. NO	REM.
1	A5000552	MOUNT, FRONT	2		
2	A1840278	MOUNT, REAR	2		
3	A1840168	BKT,CAB FRONT MTG (LH)	1		
4	A1840169	BKT, CAB FRONT MTG (RH)	1		
5	A1840290	BKT, CAB FRONT MTG(LH)	1		
6	A1840291	BKT, CAB FRONT MTG(RH)	1		
7	A1840236	WASHER,REBOUND	2		
8	S101143543	BOLT, HEX	8		
		M14x2.0x35L			
9	S103164543	BOLT, HEX	6		
		M16x1.5x45L			
10	S104121153	BOLT, HEX	2		
		M12x1.25x110L			
11	S104161053	BOLT, HEX	2		
		M16x1.5x100L			
12	S202081211	SCREW, SET. SOC	2		
		M8x1.25x12L			
13	S302120053	NUT, HEX. 1-TY	2		
		M12x1.25			
14	S306160053	NUT, HEX	2		
		M16x1.5			
15	S361120013	WASHER, SPR. 1-TY	2		
		Φ21.5/Φ12.2x3T			
16	S361140013	WASHER, SPR. 1-TY	8		
		Φ24.5/Φ14.2x3.5T			
17	S361160013	WASHER, SPR. 1-TY	8		
		Φ28/Φ16.2x4T			

# MOUNT

FIG. 10-3B

G. 840



# MOUNT

**FIG. 10-3B**

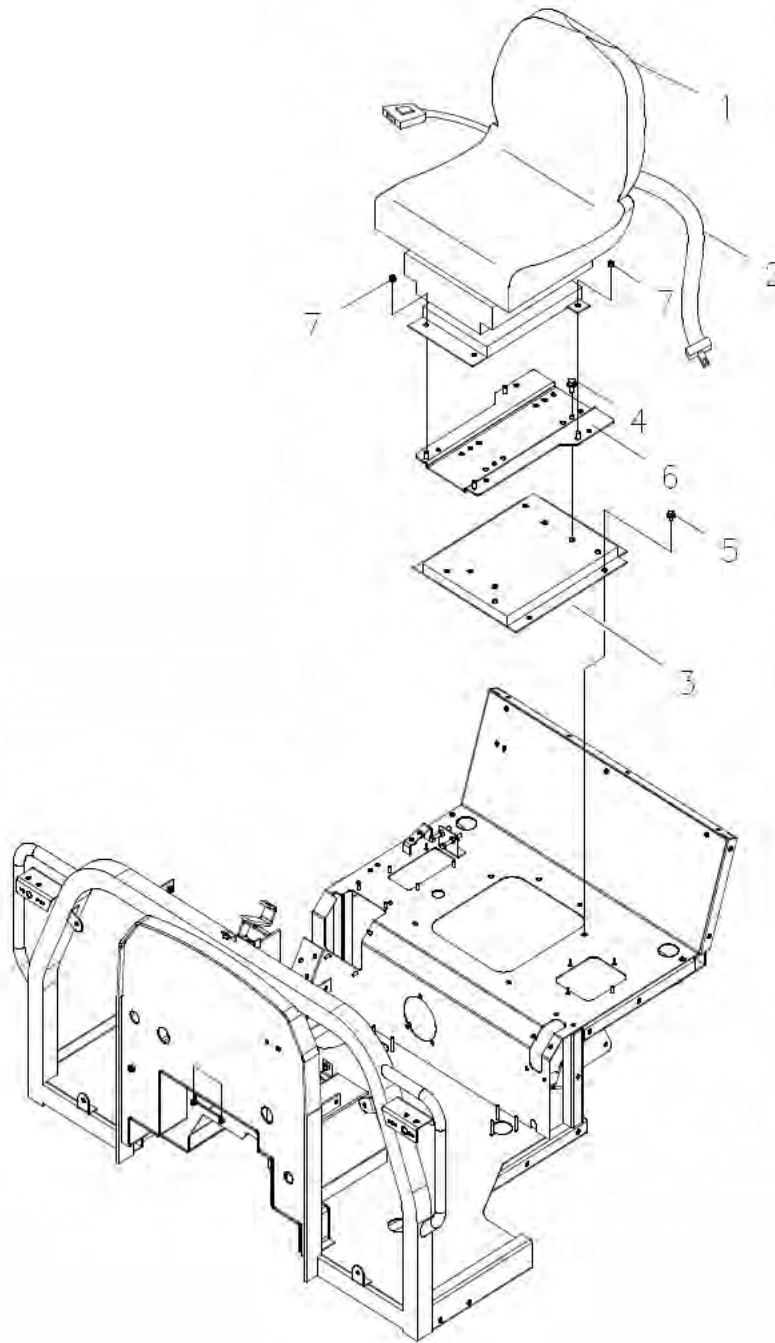
**( C )**

NO.	PART NO.	PART NAME & DESCRIPTION	QTY	APP. NO	REM.
1	A5000552	MOUNT, FRONT	2		
2	A1840278	MOUNT, REAR	2		
3	A1840168	BKT,CAB FRONT MTG (LH)	1		
4	A1840169	BKT, CAB FRONT MTG (RH)	1		
5	A1840170	BKT, CAB FRONT MTG(LH)	1		
6	A1840171	BKT, CAB FRONT MTG(RH)	1		
7	A1840236	WASHER,REBOUND	2		
8	S101143543	BOLT, HEX	8		
		M14x2.0x35L			
9	S103164543	BOLT, HEX	6		
		M16x1.5x45L			
10	S104121153	BOLT, HEX	2		
		M12x1.25x110L			
11	S104161053	BOLT, HEX	2		
		M16x1.5x100L			
12	S202081211	SCREW, SET. SOC	2		
		M8x1.25x12L			
13	S302120053	NUT, HEX. 1-TY	2		
		M12x1.25			
14	S306160053	NUT, HEX	2		
		M16x1.5			
15	S361120013	WASHER, SPR. 1-TY	2		
		Φ21.5/Φ12.2x3T			
16	S361140013	WASHER, SPR. 1-TY	8		
		Φ24.5/Φ14.2x3.5T			
17	S361160013	WASHER, SPR. 1-TY	8		
		Φ28/Φ16.2x4T			

# SEAT

FIG. 10-4A

G. 850

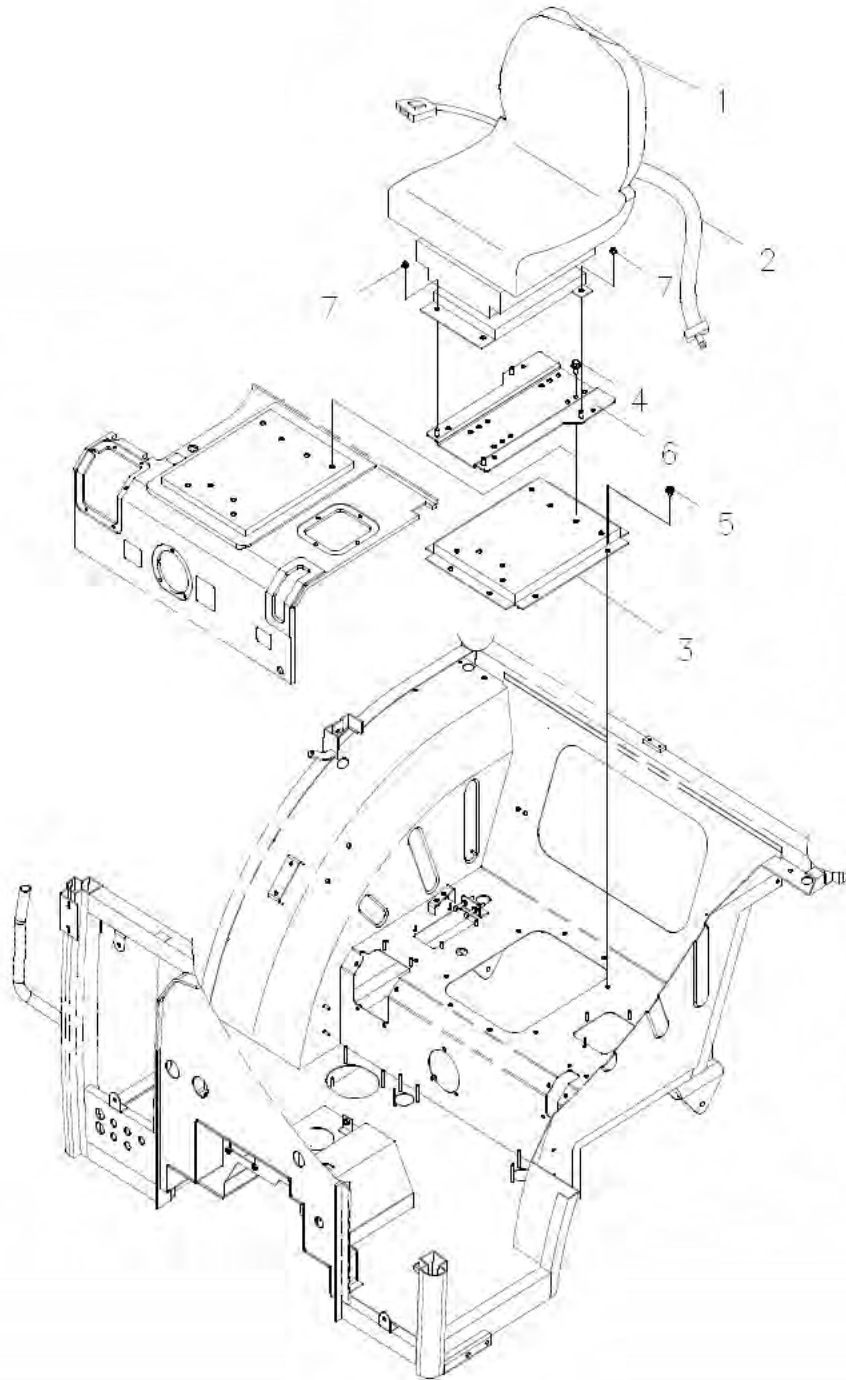




# SEAT

FIG. 10-4B

G. 850





# SEAT

**FIG. 10-4B**

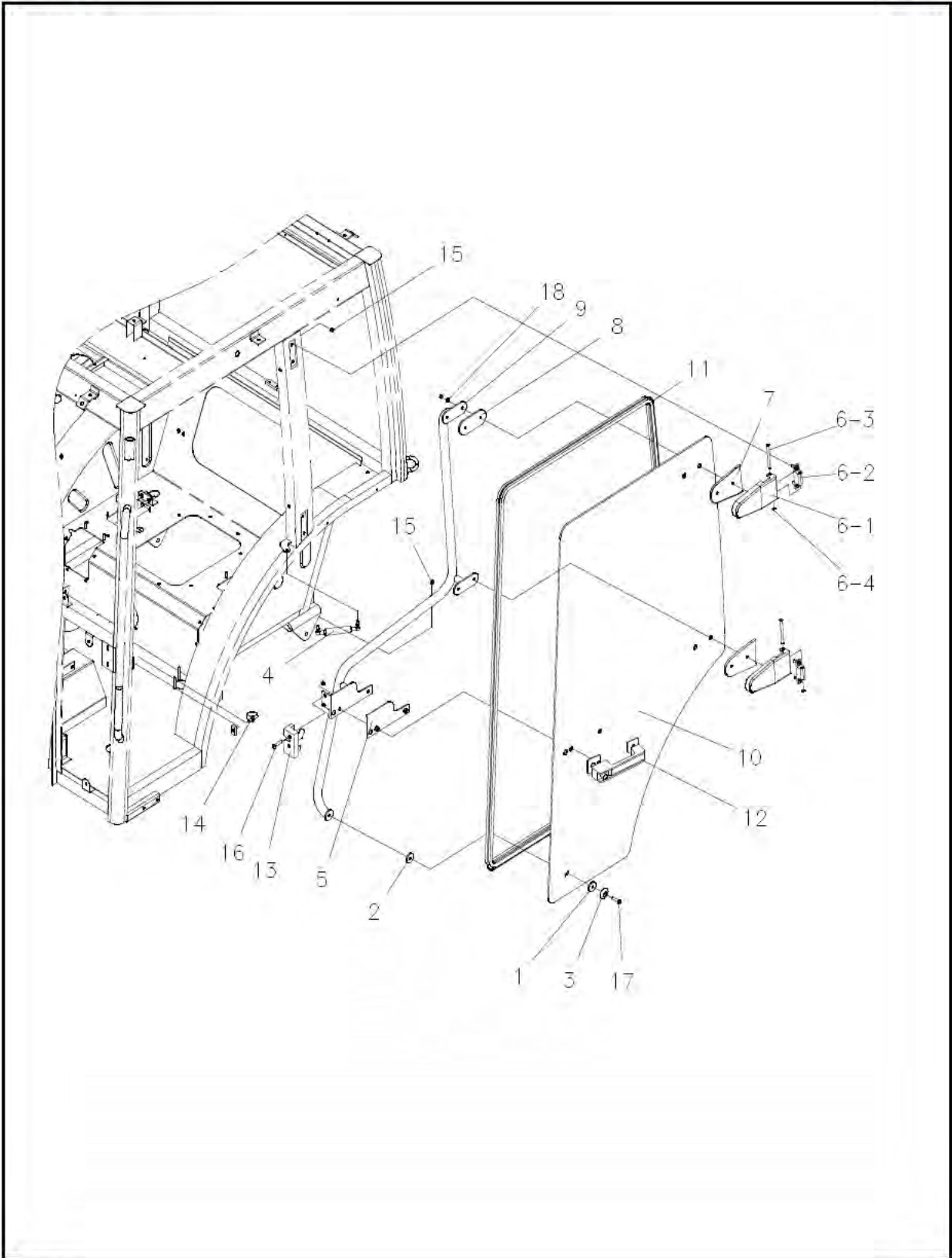
**( C )**

NO.	PART NO.	PART NAME & DESCRIPTION	QTY	APP. NO	REM.
1~2	A1850229	SEAT & SEAT BELT ASSY	1		
1	A1850098	SEAT ASSY	1		
2	A1850228	SEAT BELT	1		
3	A1850222	PLATE, SEAT MTG.	1		
4	S156102533	BOLT, HEX. W/WASHER M10x1.25x25L	4		
5	S159081633	BOLT, HEX. W/WASHER M8x1.25x16L	8		
6	A1850247	PLATE, SEAT MOUNT	1		
7	S346100013	NUT, FLANGE B-TY M10x1.25x	4		

# DOOR

FIG. 10-5

G. 862



# DOOR

FIG. 10-5

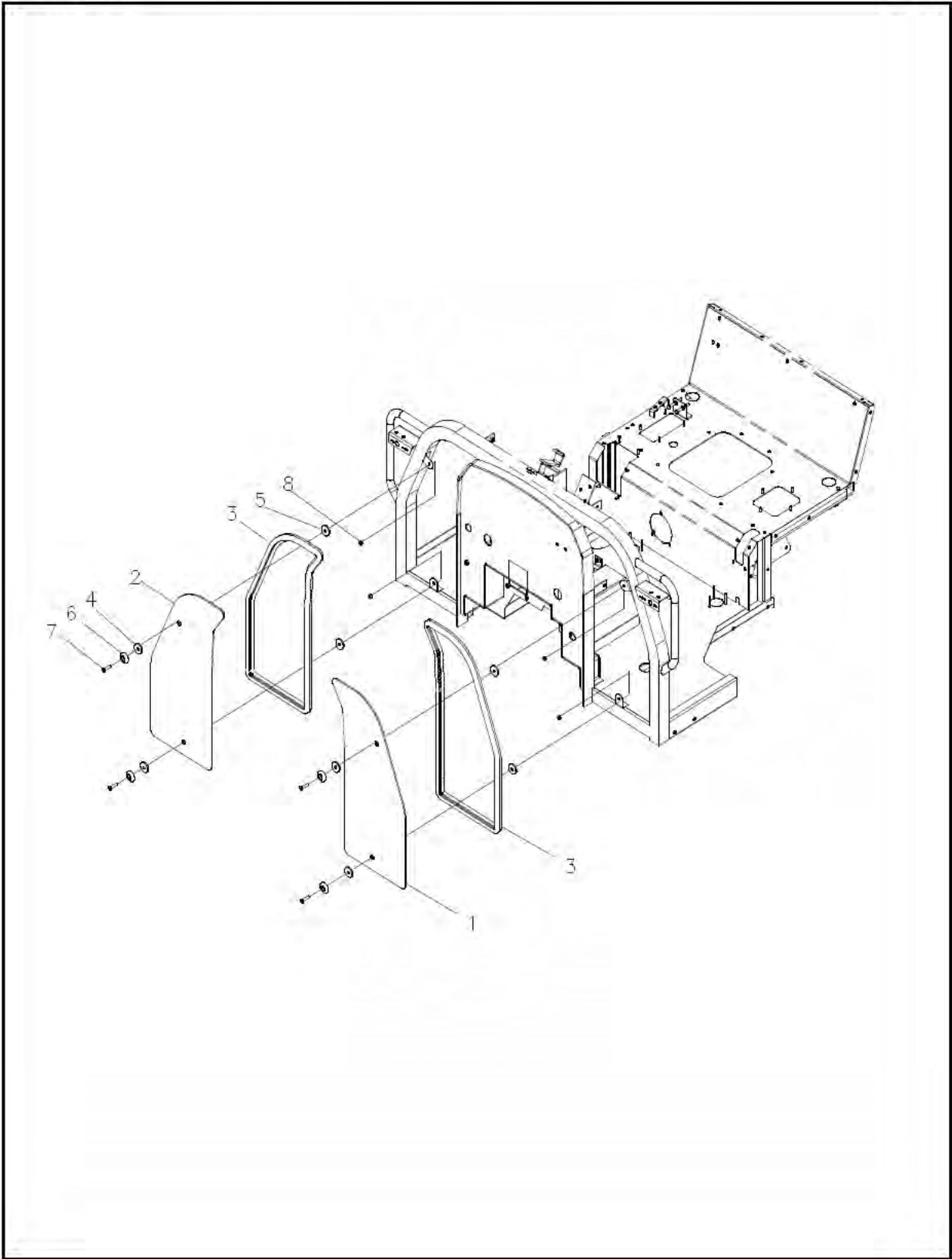
(C)

NO.	PART NO.	PART NAME & DESCRIPTION	QTY	APP. NO	REM.
1~18	A1862139	DOOR ASSY LH	1		
	A1862140	DOOR ASSY RH	1		
1	A1862004	CUSHION "A"	1		
2	A1862005	CUSHION "B"	1		
3	A1862006	SPACER, GLASS	1		
4	A1862133	DOOR GAS CYLINDER ASSY	1		
5	A1862136	PAD, HANDLE INSIDE LH	1		
	A1862160	PAD, HANDLE INSIDE RH	1		
6	A1862141	HINGE A ASSY	1		
	A1862142	HINGE B ASSY	1		
6-1	A1862143	HINGE, A OUTSIDE	1		
	A1862144	HINGE, B OUTSIDE	1		
6-2	A1862145	HINGE, BASE DOOR	2		
6-3	A1862146	PIN, HINGE	2		
6-4	S814007003	SNAP, RING	2		
7	A1862147	PAD A, HINGE	2		
8	A1862148	PAD B, HINGE	2		
9	A1862149	GRIP ASSY, DOOR INSIDE LH	1		
	A1862150	GRIP ASSY, DOOR INSIDE RH	1		
10	A1862153	GLASS, DOOR LH	1		
	A1862154	GLASS, DOOR RH	1		
11	A1862155	WEATHER STRIP, DOOR	1		
12	A1862156	DOOR HANDLE ASSY	1		
13	A1862157	DOOR LOCK ASSY LH	1		
	A1862159	DOOR LOCK ASSY RH	1		
14	A1862158	LOCK, STRIKER	1		
15	A1877079	NUT, LOCK	M8x1.25 11		
16	S220803511	SCREW, CROSS CSNK.	M8x1.25x35L 1		
17	S220804011	SCREW, CROSS CSNK.	M8x1.25x40L 2		
18	S363080013	WASHER. PLN. S-RD	Φ15.5/Φ8.4x1.6T 4		

# FRONT & SIDE WINDOW

FIG. 10-6A

G. 863

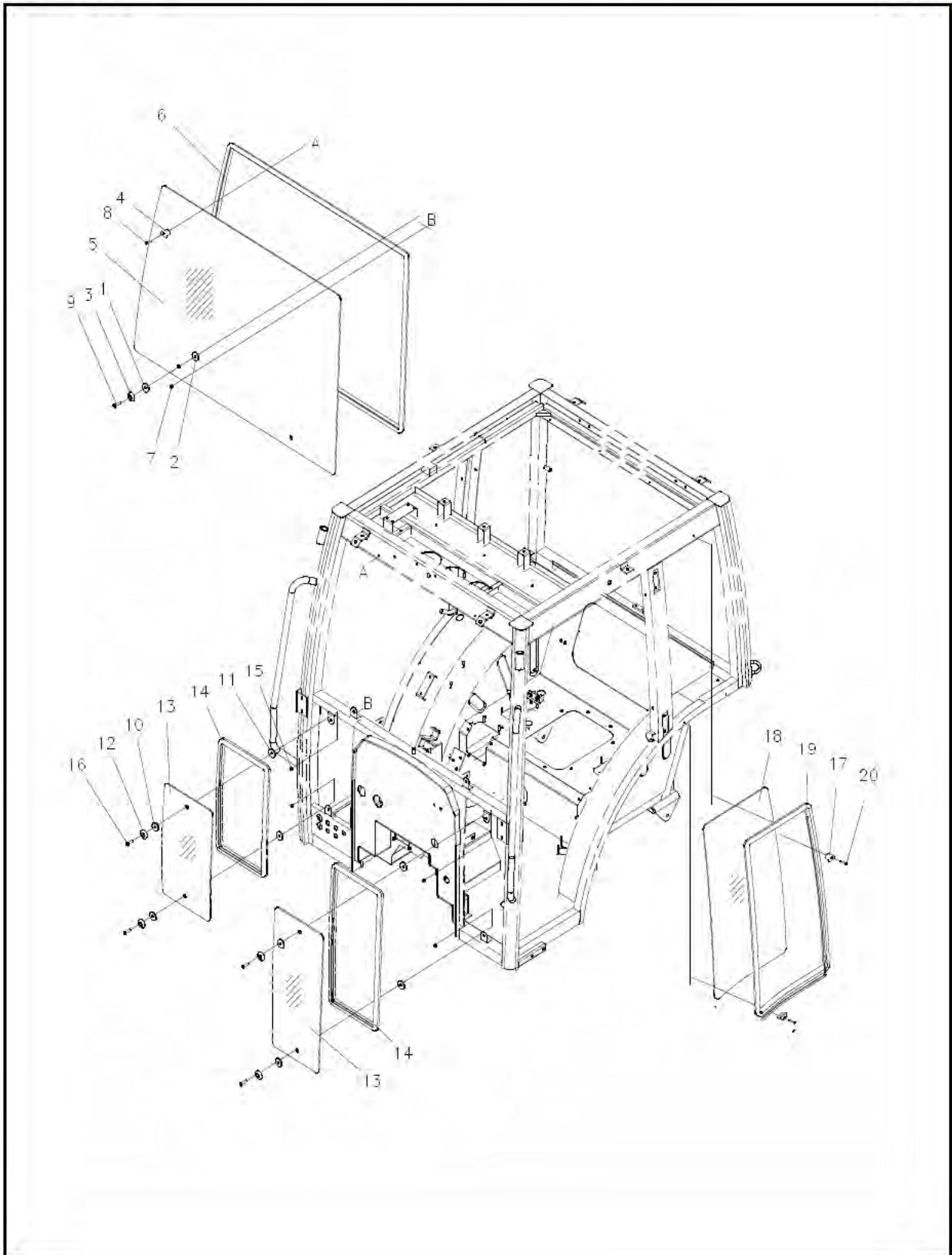




# FRONT & SIDE WINDOW

FIG. 10-6B

G. 863



# FRONT & SIDE WINDOW

FIG. 10-6B

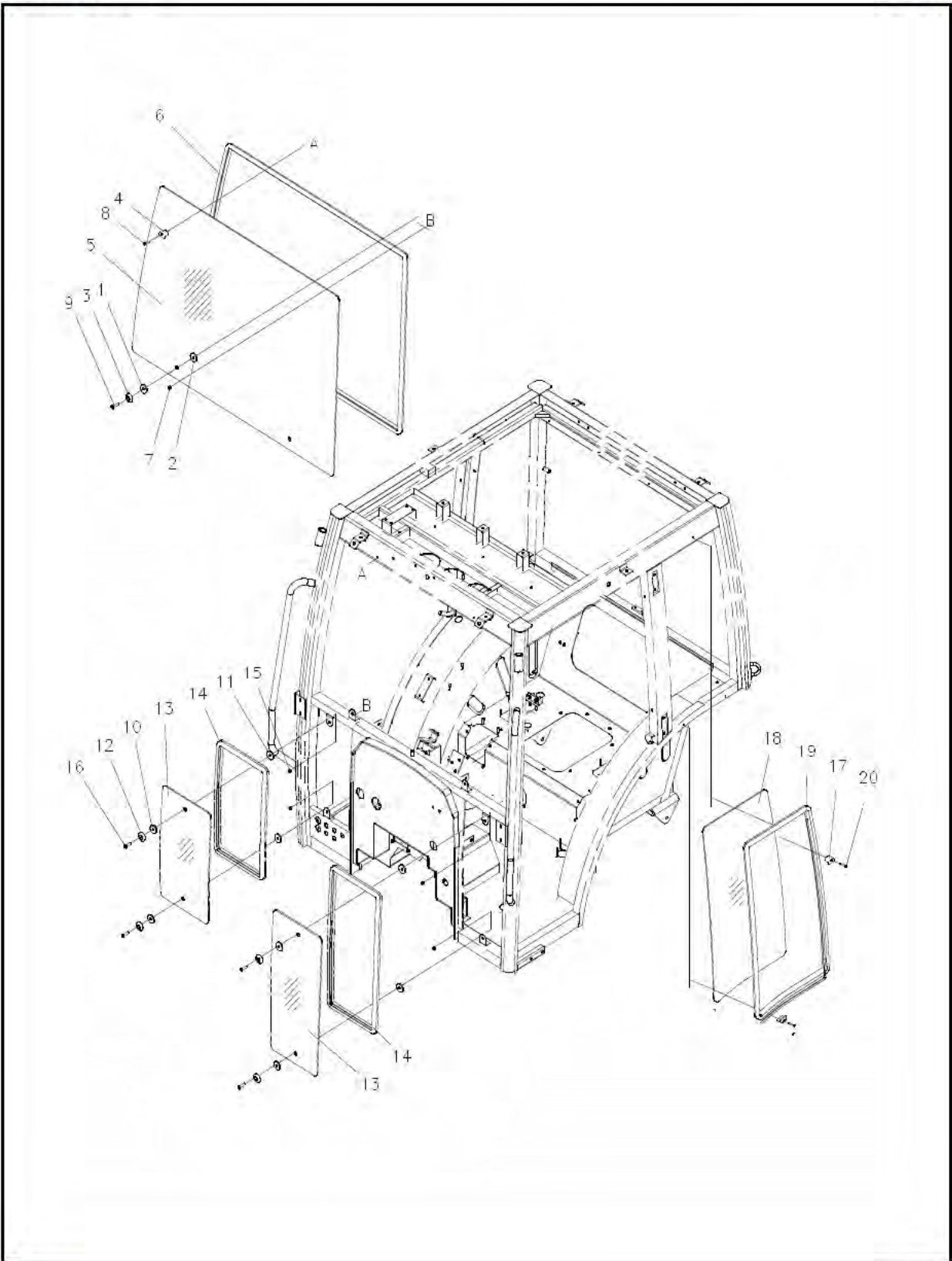
( C )

NO.	PART NO.	PART NAME & DESCRIPTION	QTY	APP. NO	REM.
1~9	A1863085	F, UPPER WINDOW ASSY	1		
1	A1862004	CUSHION "A"	2		
2	A1862005	CUSHION "B"	2		
3	A1862006	SPACER, GLASS	2		
4	A1862011	SUPPORT, GLASS	2		
5	A1863077	GLASS, FRONT UPPER	1		
6	A1869065	WEATHER, STRIP	1		
7	A1877079	NUT, LOCK	M8x1.25 2		
8	S220504511	SCREW, CROSS. CSNK	M5x0.8x45L 2		
9	S220803511	SCREW, CROSS. CSNK	M8x1.25x35L 2		
10~16	A1863086	F LOWER WINDOW ASSY LH	1		
	A1863087	F LOWER WINDOW ASSY RH	1		
10	A1862004	CUSHION "A"	2		
11	A1862005	CUSHION "B"	2		
12	A1862006	SPACER, GLASS	2		
13	A1863096	GLASS, FRONT LOWER LH	1		
	A1863097	GLASS, FRONT LOWER RH	1		
14	A1869065	WEATHER, STRIP	1.9		
15	A1877079	NUT, LOCK	M8x1.25 2		
16	S220803511	SCREW, CROSS. CSNK	M8x1.25x35L 2		
17~20	A1863088	SIDE WINDOW ASSY LH	1		
	A1863089	SIDE WINDOW ASSY RH	1		
17	A1862011	SUPPORT, GLASS	3		
18	A1863080	GLASS, SIDE LH	1		
	A1863081	GLASS, SIDE RH	1		
19	A1869065	WEATHER, STRIP	2.5		
20	S220504511	SCREW, CROSS. CSNK	M5x0.8x45L 3		

# FRONT & SIDE WINDOW

FIG. 10-6B

G. 863





# FRONT & SIDE WINDOW

**FIG. 10-6B**

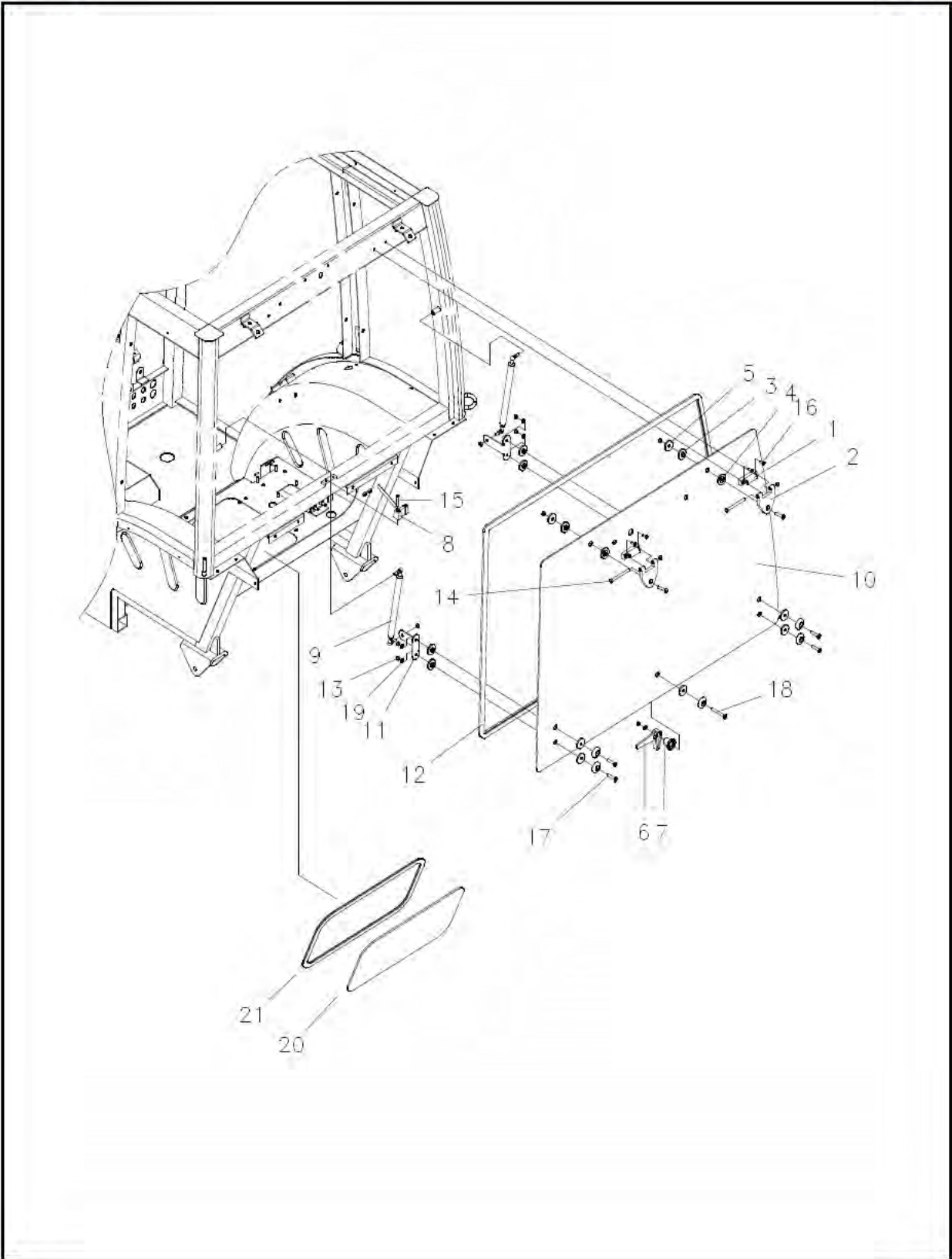
**( C )**

NO.	PART NO.	PART NAME & DESCRIPTION	QTY	APP. NO	REM.
1~9	A1863085	F, UPPER WINDOW ASSY	1		
1	A1862004	CUSHION "A"	2		
2	A1862005	CUSHION"B"	2		
3	A1862006	SPACER, GLASS	2		
4	A1862011	SUPPORT, GLASS	2		
5	A1863077	GLASS, FRONT UPPER	1		
6	A1869065	WEATHER, STRIP	1		
7	A1877079	NUT, LOCK	M8x1.25 2		
8	S220504511	SCREW, CROSS. CSNK	M5x0.8x45L 2		
9	S220803511	SCREW, CROSS. CSNK	M8x1.25x35L 2		
10~16	A1863086	F LOWER WINDOW ASSY LH	1		
	A1863087	F LOWER WINDOW ASSY RH	1		
10	A1862004	CUSHION "A"	2		
11	A1862005	CUSHION"B"	2		
12	A1862006	SPACER, GLASS	2		
13	A1863078	GLASS, FRONT LOWER LH	1		
	A1864032	GLASS, FRONT LOWER RH	1		
14	A1869065	WEATHER, STRIP	1.9		
15	A1877079	NUT, LOCK	M8x1.25 2		
16	S220803511	SCREW, CROSS. CSNK	M8x1.25x35L 2		
17~20	A1863088	SIDE WINDOW ASSY LH	1		
	A1863089	SIDE WINDOW ASSY RH	1		
17	A1862011	SUPPORT, GLASS	3		
18	A1863080	GLASS,SIDE LH	1		
	S159081633	GLASS,SIDE RH	1		
19	A1869065	WEATHER, STRIP	2.5		
20	S220504511	SCREW, CROSS. CSNK	M5x0.8x45L 3		

# REAR WINDOW

FIG. 10-7

G. 863



# REAR WINDOW

FIG. 10-7

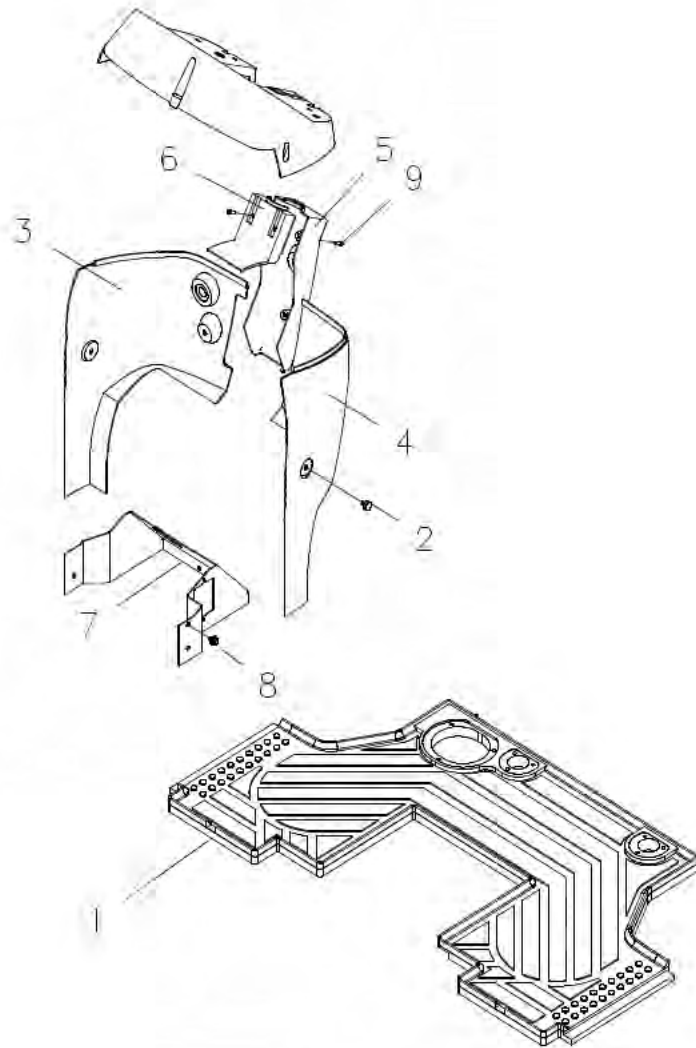
(C)

NO.	PART NO.	PART NAME & DESCRIPTION	QTY	APP. NO	REM.
1~19	A1863090	REAR WINDOW ASSY	1		
1	A1862002	SUPPORT, HINGE	2		
2	A1862003	BODY, HINGE	2		
3	A1862004	CUSHION "A"	6		
4	A1862005	CUSHION "B"	7		
5	A1862006	SPACER, GLASS	7		
6	A1862008	HANDLE, DOOR	1		
7	A1862009	SPACER, HANDLE	1		
8	A1862010	STOPPER, LOCK	1		
9	A1862092	GAS CYLINDER ASSY	2		
10	A1863082	GLASS, REAR	1		
11	A1863083	BRACKET, GAS CYLINDER	2		
12	A1869065	WEATHER STRIP	3.9		
13	A1877079	NUT, LOCK	11		
		M8x1.25			
14	S101089043	BOLT, HEX	2		
		M8x1.25x90L			
15	S219603511	SCREW, CROSS PAN	2		
		M6x1.0x35L			
16	A1864032	SCREW, CROSS CSNK	4		
		M6x1.0x20L			
17	S220804011	SCREW, CROSS CSNK	6		
		M8x1.25x40L			
18	S220807011	SCREW, CROSS CSNK	1		
		M8x1.25x70L			
19	S363080013	WASHER, PLN. S-RD	5		
		Φ15.5/Φ8.4x1.6T			
20~21	A1863091	R LOWER WINDOW ASSY	1		
20	A1863084	GLASS, REAR LOWER	1		
21	A1869015	STRIP, H-TYPE	1.5		

# INTERIOR

FIG. 10-8A

G. 864

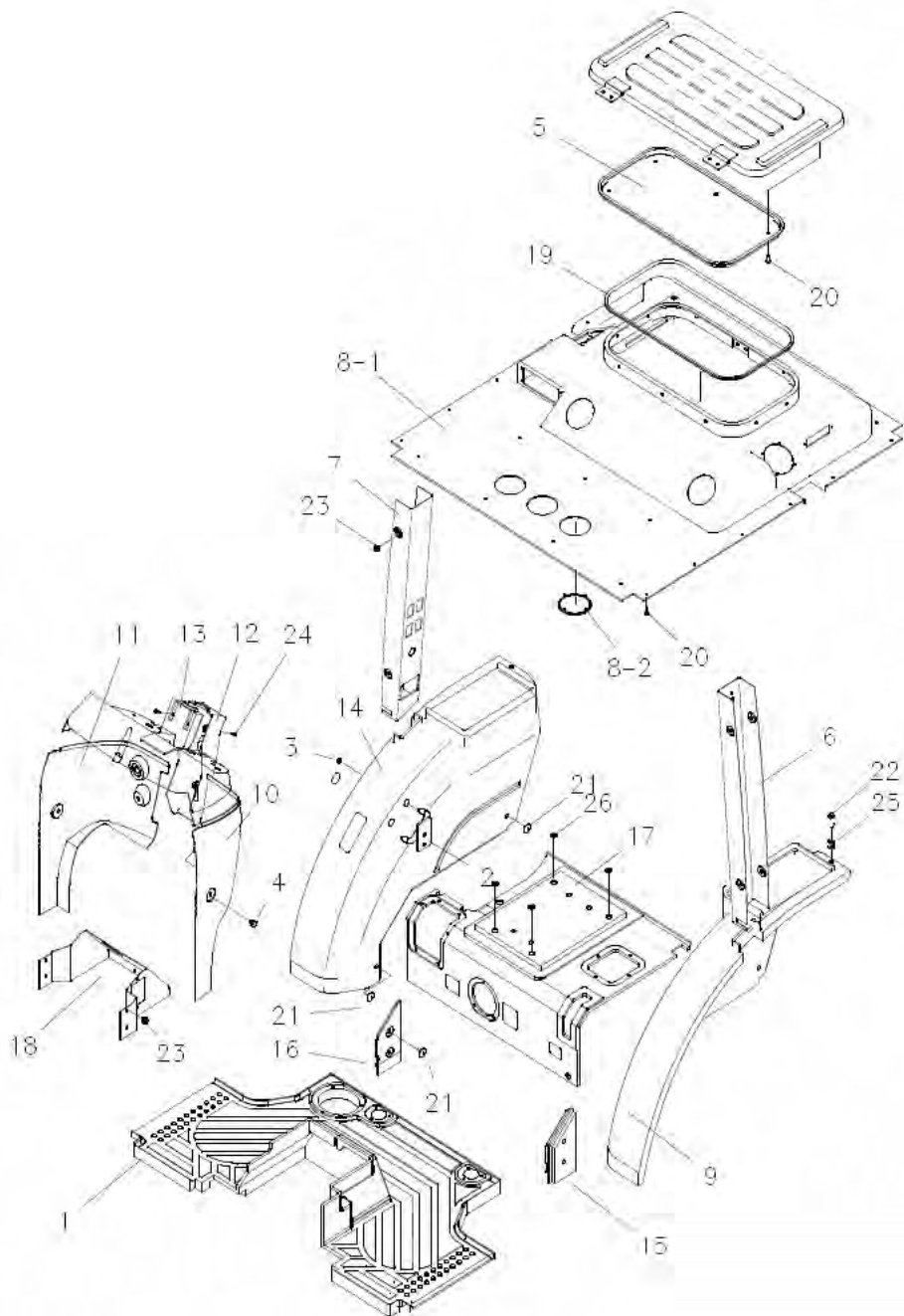




# INTERIOR

FIG. 10-8B

G. 864



# INTERIOR

**FIG. 10-8B**

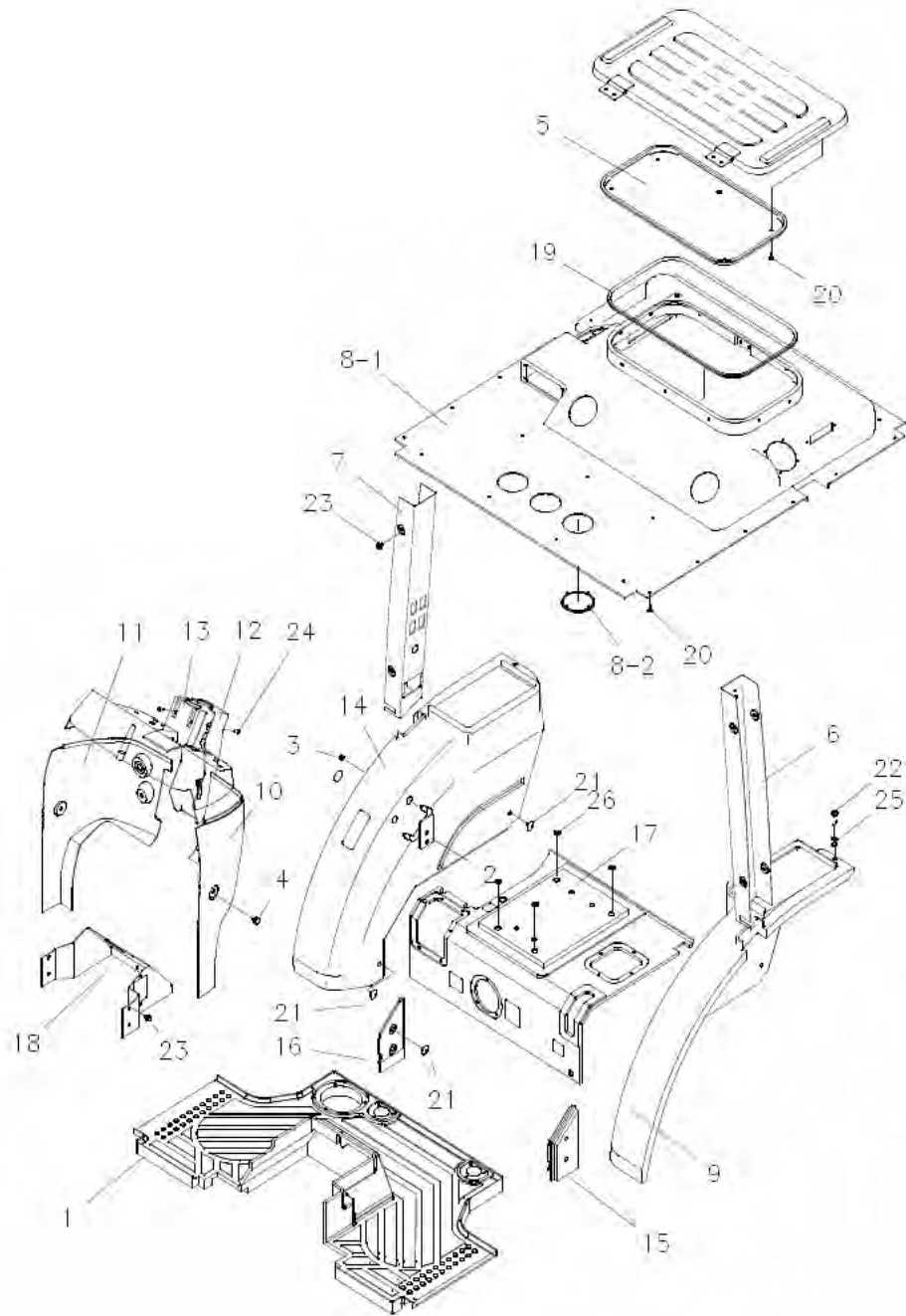
**( C )**

NO.	PART NO.	PART NAME & DESCRIPTION	QTY	APP. NO	REM.
1	A1864036	MAT, STEP	1		
2	A1825144	BRACKET, JOYSTICK	1		
3	S346100043	NUT, FLANGE B-TY.	2		
4	A0711065	KNOB	4		
5	A1864014	CEILING, SUN ROOF	1		
6	A1864047	FILLER, LH	1		
7	A1864048	FILLER, RH	1		
8	A1864017	TOP CEILING ASSY	1		
8-1	A1864018	TOP CEILING	1		
8-2	A1865106	PLATE, AIRVENT	5		
9	A1864021	CONSOL, LH	1		
10	A1864024	PANEL, BODY LH	1		
11	A1864025	PANEL, BODY RH	1		
12	A1864026	COVER, STEERING REAR	1		
13	A1864027	COVER, STEERING FRONT	1		
14	A1864031	CONSOL, RH	1		
15	A1864032	INTERIOR, SUB FENDER (LH)	1		
16	A1864033	INTERIOR, SUB FENDER (RH)	1		
17	A1864034	MAT, CENTER	1		
18	A1864035	COVER, UNDER BODY	1		
19	A1869001	WEATHER, STRIP	1		
20	A1869028	SCREW, RIVET	36		
21	A1869055	SLEEVED HOLE	8		
22	S153084533	BOLT, HEX. W/WASHER	2		M8x1.25x45L
23	S159081633	BOLT, HEX. W/WASHER	11		M8x1.25x16L
24	S219602011	SCREW, CROSS	4		M6x1.0x20L
25	S365082613	WASHER, PLN. L-RD	2		Φ26/Φ8.4x2.6T
26	S364120013	WASHER, PLN. L-RD	4		Φ24/Φ13x2.5T

# INTERIOR

FIG. 10-8B

G. 864





# INTERIOR

**FIG. 10-8B**

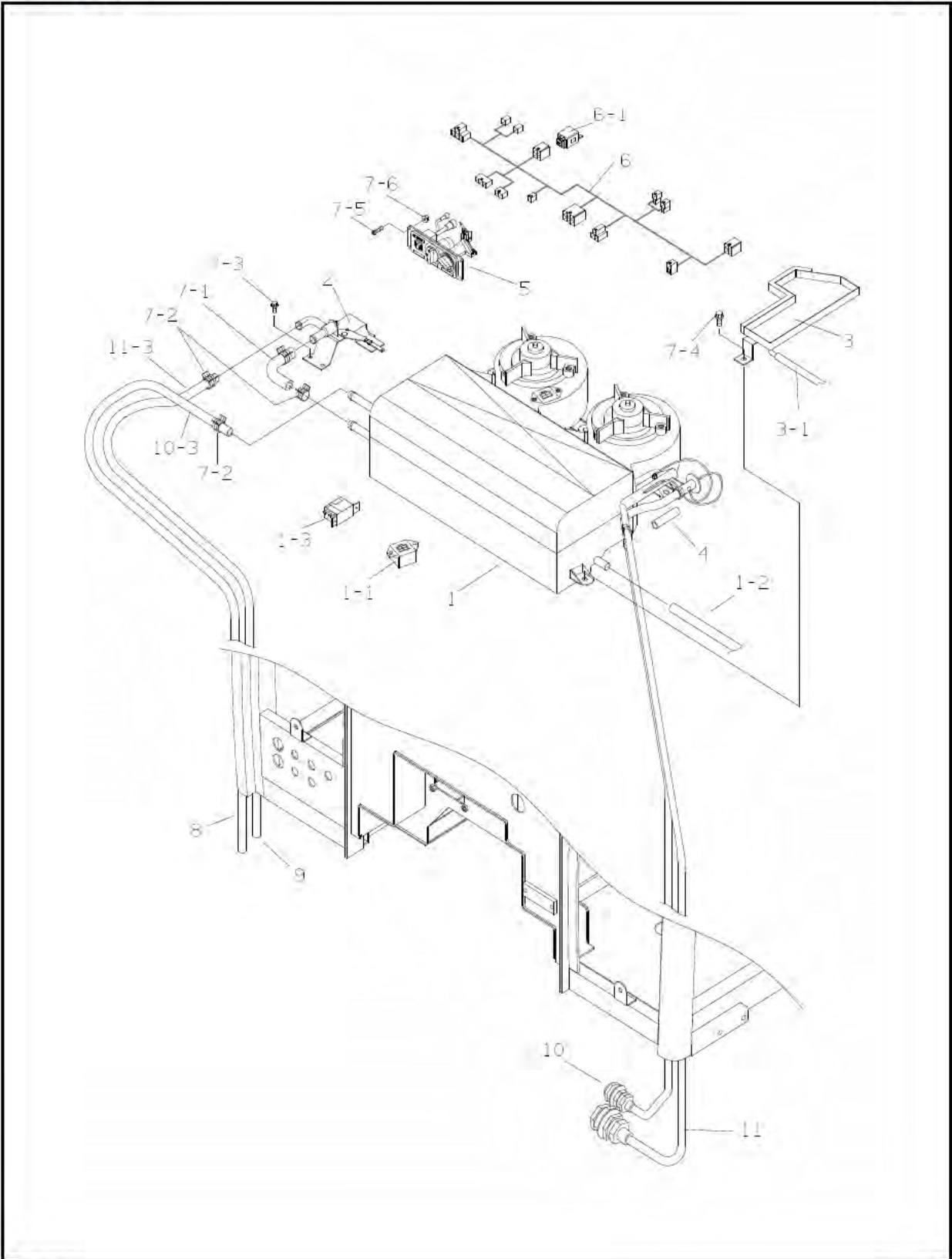
**( C )**

NO.	PART NO.	PART NAME & DESCRIPTION	QTY	APP. NO	REM.
1	A1864036	MAT,STEP	1		
2	A1825144	BRACKET, JOYSTICK	1		
3	S346100043	NUT, FLANGE B-TY.	2		
4	A0711065	KNOB	4		
5	A1864014	CEILING, SUN ROOF	1		
6	A1864040	FILLER, LH	1		
7	A1864016	FILLER, RH	1		
8	A1864017	TOP CEILING ASSY	1		
8-1	A1864018	TOP CEILING	1		
8-2	A1865106	PLATE, AIRVENT	5		
9	A1864021	CONSOL, LH	1		
10	A1864024	PANEL, BODY LH	1		
11	A1864025	PANEL, BODY RH	1		
12	A1864026	COVER, STEERING REAR	1		
13	A1864027	COVER, STEERING FRONT	1		
14	A1864031	CONSOL, RH	1		
15	A1864032	INTERIOR, SUB FENDER (LH)	1		
16	A1864033	INTERIOR, SUB FENDER (RH)	1		
17	A1864034	MAT,CENTER	1		
18	A1864035	COVER, UNDER BODY	1		
19	A1869001	WEATHER, STRIP	1		
20	A1869028	SCREW, RIVET	36		
21	A1869055	SLEEVED HOLE	8		
22	S153084533	BOLT, HEX. W/WASHER	2		M8x1.25x45L
23	S159081633	BOLT, HEX. W/WASHER	11		M8x1.25x16L
24	S219602011	SCREW, CROSS	4		M6x1.0x20L
25	S365082613	WASHER,PLN. L-RD	2		Φ26/Φ8.4x2.6T
26	S364120013	WASHER,PLN. L-RD	4		Φ24/Φ13x2.5T

# AIR CONDITIONER

FIG. 10-9A

G. 865



# AIR CONDITIONER

**FIG. 10-9A**

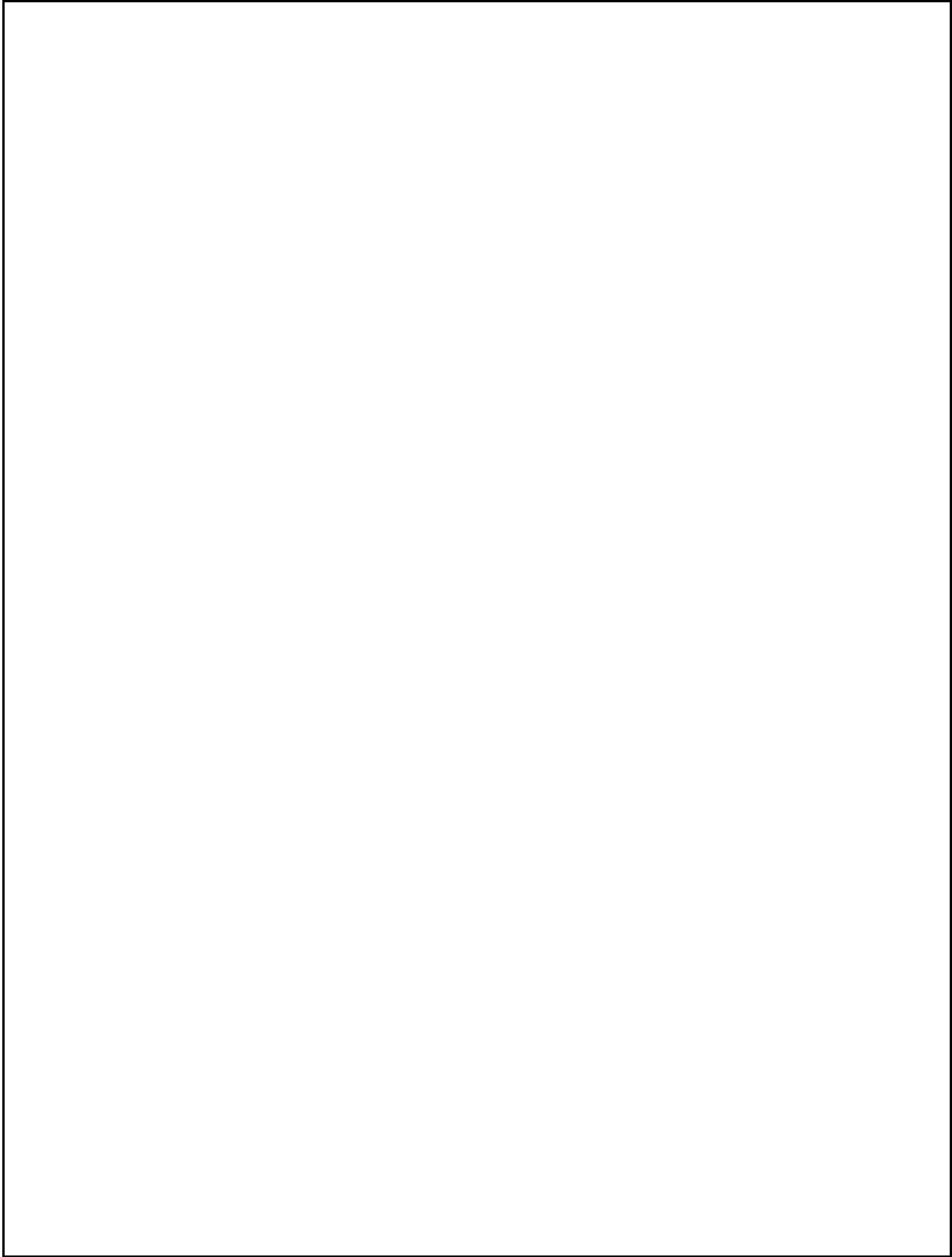
**( C )**

NO.	PART NO.	PART NAME & DESCRIPTION	QTY	APP. NO	REM.
1	A1865009	HEATER & EVAP ASSY	1		
1-1	A1865019	RESISTER ASSY	2		
1-2	A1865020	DRAIN HOSE	2		
1-3	A1865021	THERMOSTAT	1		
2	A1865030	VALVE ASSY	1		
3	A1865070	TRAY – EVAP	1		
3-1	A1865076	HOSE, TRAY	1		
4	A1865074	INSULATION	1		
5	A1865126	CONTROL ASSY	1		
6	A1865042	JUMP WIRE ASSY	1		
6-1	A1865045	RELAY	1		
7	A1865127	PACKING ASS'Y	1		
7-1	A1865037	HOSE, CONNECTION	1		
7-2	A1865041	BAND, SPRING CLAMP	4		
7-3	S153051213	BOLT, HEX. W/WASHER	4		
		M5x0.8x12L			
7-4	S155062013	BOLT, HEX. W/WASHER	5		
		M6x1.0x20L			
7-5	S219502011	SCREW, CROSS. PAN.	4		
		M5x0.8x20L			
7-6	S345050013	NUT, FLANGE	4		
		M5x0.8			
8	A1865138	W/H ASSY–LOW TEMP(A)	1		
9	A1865139	W/H ASSY–HIGH TEMP(B)	1		
10	A1865123	LIQ. HOSE ASSY–C	1		
11	A1865124	SUC. HOSE ASSY–A	1		

# AIR CONDITIONER

FIG. 10-9A

G. 865



# AIR CONDITIONER

**FIG. 10-9A**

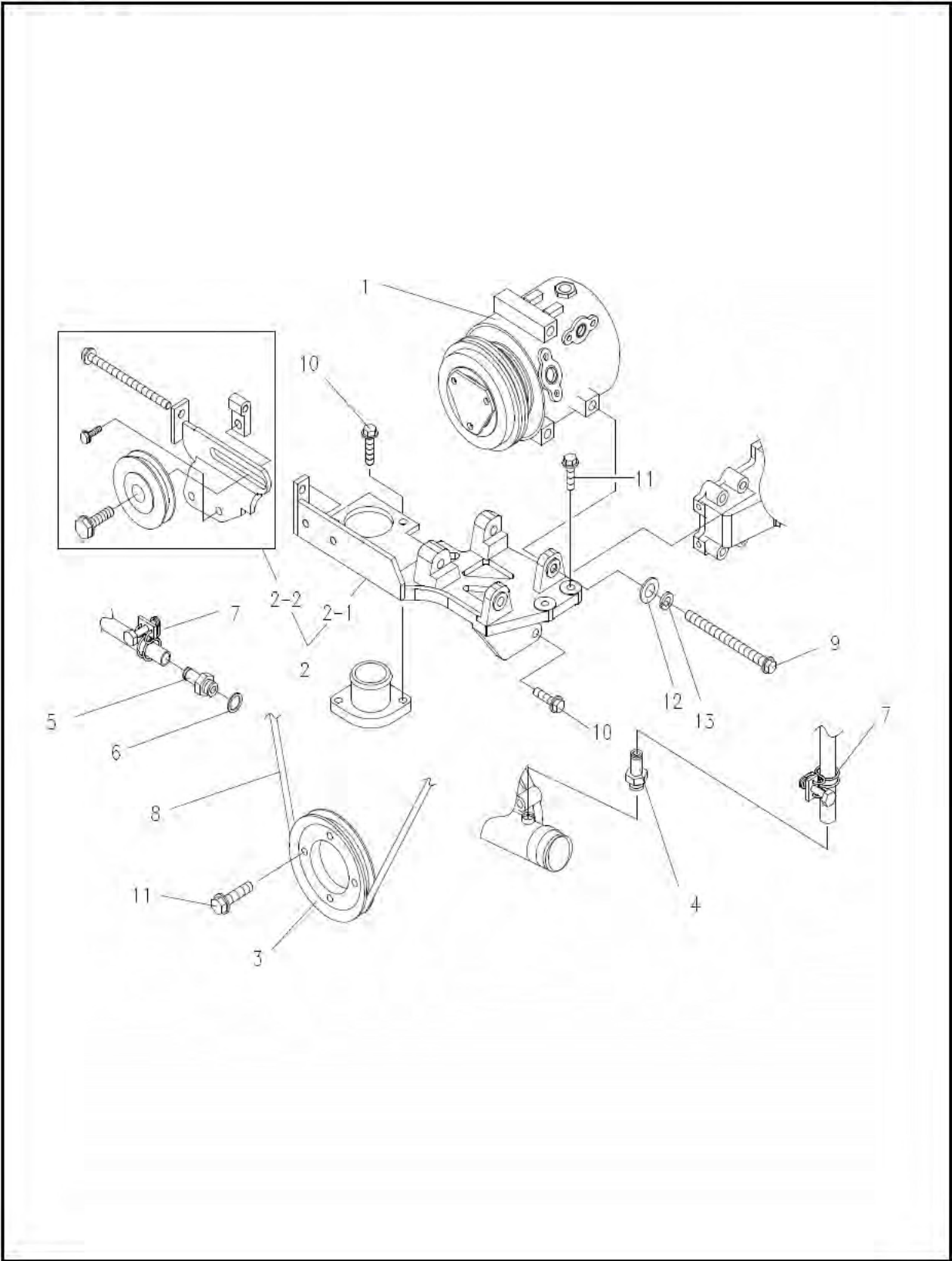
**( C )**

NO.	PART NO.	PART NAME & DESCRIPTION	QTY	APP. NO	REM.
1	A1865009	HEATER & EVAP ASSY	1		
1-1	A1865019	RESISTER ASSY	2		
1-2	A1865020	DRAIN HOSE	2		
1-3	A1865021	THERMOSTAT	1		
2	A1865030	VALNE ASSY	1		
3	A1865070	TRAY – EVAP	1		
3-1	A1865076	HOSE, TRAY	1		
4	A1865074	INSULATION	1		
5	A1865126	CONTROL ASSY	1		
6	A1865042	JUMP WIRE ASSY	1		
6-1	A1865045	RELAY	1		
7	A1865127	PACKING ASS'Y	1		
7-1	A1865037	HOSE, CONNECTION	1		
7-2	A1865041	BAND, SPRING CLAMP	4		
7-3	S153051213	BOLT, HEX. W/WASHER	4		
7-4	S155062013	BOLT, HEX. W/WASHER	5		
7-5	A1864032	CSCREW, CROSS. PAN.	4		
7-6	S345050013	NUT, FLANGE	4		
8	A1865099	W/H ASSY–LOW TEMP(A)	1		
9	A1865100	W/H ASSY–HIGH TEMP(B)	1		
10	A1865123	LIQ. HOSE ASSY–C	1		
11	A1865124	SUC. HOSE ASSY–A	1		

# AIR CONDITIONER

FIG. 10-9B

G. 865



# AIR CONDITIONER

**FIG. 10-9B**

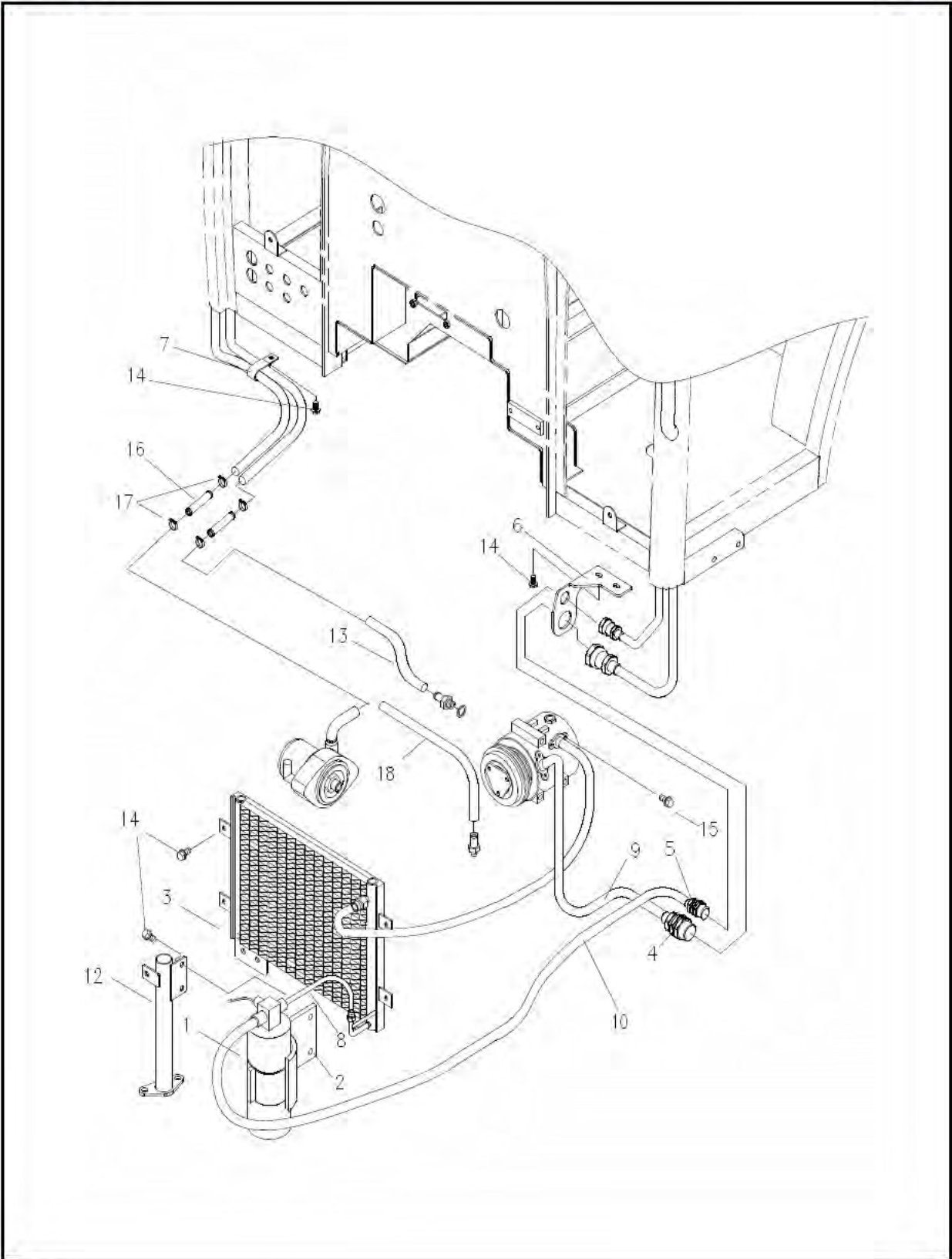
**( C )**

NO.	PART NO.	PART NAME & DESCRIPTION		QTY	APP. NO	REM.
1	A1865048	COMPRESSOR		1		
2	A1865066	T/P & BKT-COMP ASSY		*		
	A1865060	T/P & BKT-COMP ASSY		1		
3	A1865067	CRANK PULLEY		*		
	A1865063	CRANK PULLEY		1		
4	A1865038	WATER INLET NIPPLE		1		
5	A1865039	WATER OUTLET NIPPLE		1		
6	A1865040	SEAL		1		
7	A1865143	HOSE, CLAMP ASSY		2		
8	A1865068	V-BELT		1		
9	S166101243	BOLT, HEX. F-THRD	M10x1.25x120L	2		
10	S155083533	BOLT, HEX. W/WASHER	M8x1.25x35L	6		
11	S155083033	BOLT, HEX. W/WASHER	M8x1.25x30L	4		
12	S363100013	WASHER, PLN. S-RD	Φ18/Φ10.5x2T	2		
13	S362100013	WASHER, SPR. 1-TYPE	Φ18.8/Φ10.2x3T	2		

# AIR CONDITIONER

FIG. 10-9C

G. 865





# AIR CONDITIONER

**FIG. 10-9C**

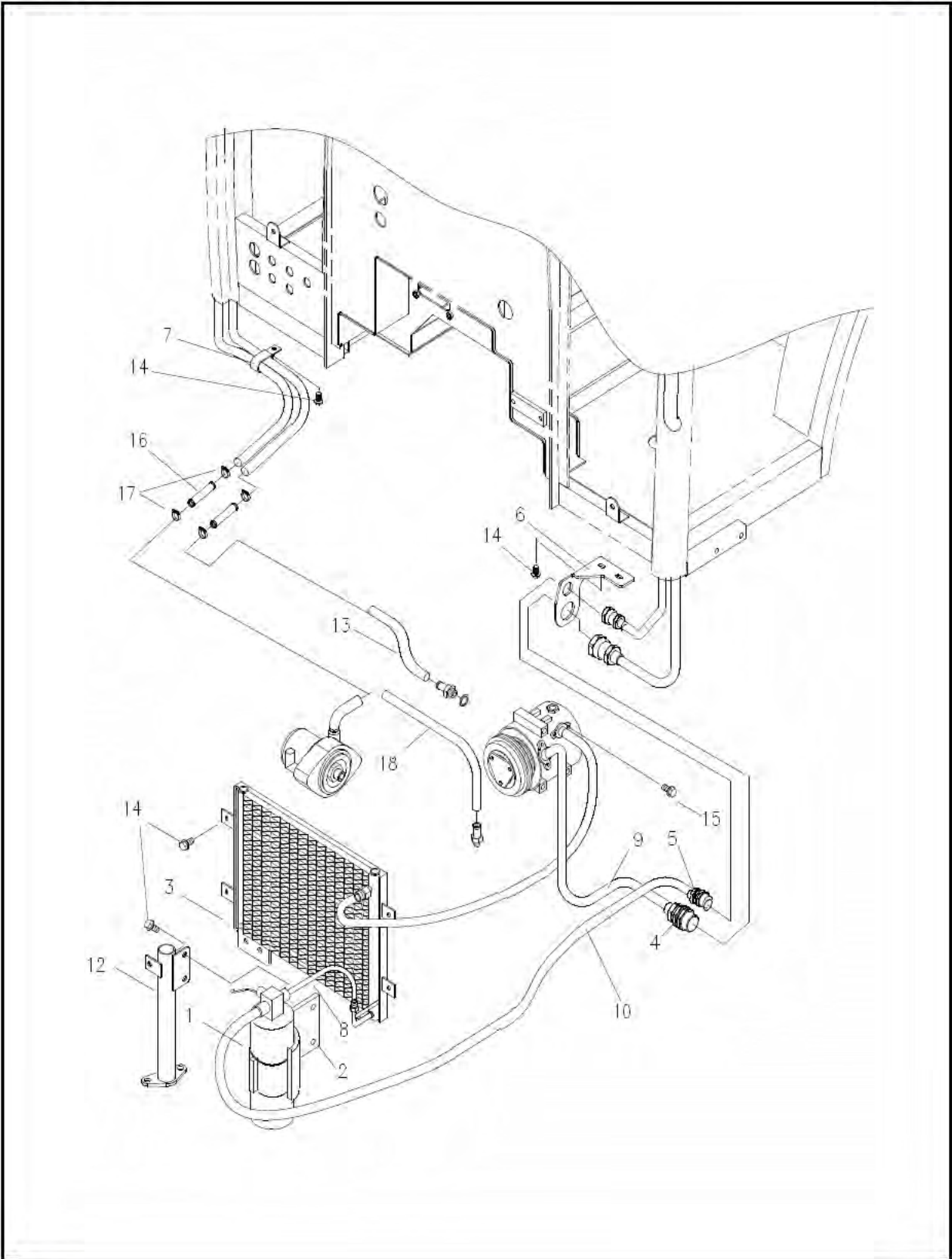
**( C )**

NO.	PART NO.	PART NAME & DESCRIPTION	QTY	APP. NO	REM.
1	A1865151	R/D & EXT/WIRE ASSY	1		
2	A1865080	BRACKET-R/D MT'G	1		
3	A1865081	CONDENSER ASSY	1		
4	A1865103	QUICK COUPLING-SUC	1		
5	A1865104	QUICK COUPLING-LIQ	1		
6	A5000947	BRACKET, QUICK COUPLING	1		
7	A1865072	CLAMP, WATER HOSE	1		
8	A1865084	LIQ. HOSE ASSY-A	1		
9	A1865123	SUC. HOSE ASSY-A	1		
10	A1865124	LIQ. HOSE ASSY-C	1		
11	A1865086	DIS. HOSE ASSY	1		
12	A1865147	SUPPORT, R/DRIER	*		
13	A1865145	W/HOSE-HIGH TEMP(A)	1		
14	S155082033	BOLT, HEX. W/WASHER	9		M8x1.25x20L
15	S155083533	BOLT, HEX. W/WASHER	2		M8x1.25x25L
16	A1865142	CONNECTOR, PIPE	1		
17	A1970201B	CLAMP, HOSE	4		
18	A1865134	W/HOSE-LOW TEMP(B)	1		

# AIR CONDITIONER

FIG. 10-9C

G. 865



# AIR CONDITIONER

**FIG. 10-9C**

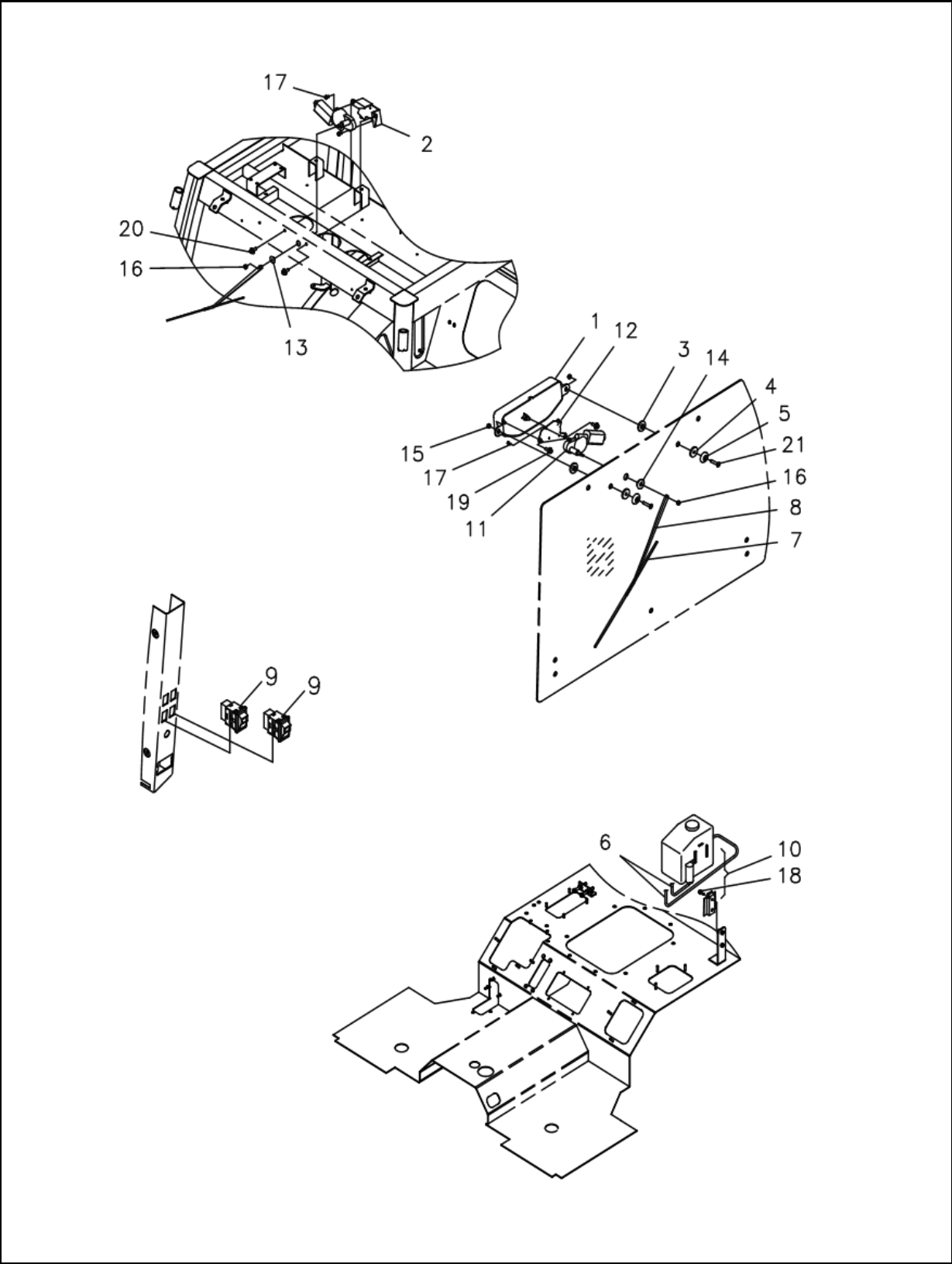
**( C )**

NO.	PART NO.	PART NAME & DESCRIPTION	QTY	APP. NO	REM.
1	A1865050	R/D & EXT/WIRE ASSY	1		
2	A1865080	BRACKET-R/D MT'G	1		
3	A1865081	CONDENSER ASSY	1		
4	A1865103	QUICK COUPLING-SUC	1		
5	A1865104	QUICK COUPLING-LIQ	1		
6	A5000947	BRACKET, QUICK COUPLING	1		
7	A1865072	CLAMP, WATER HOSE	1		
8	A1865084	LIQ. HOSE ASSY-A	1		
9	A1865125	SUC. HOSE ASSY-B	1		
10	A1865122	LIQ. HOSE ASSY-B	1		
11	A1865086	DIS. HOSE ASSY	1		
12	A1865147	SUPPORT, R/DRIER	*		
13	A1865036	W/HOSE-HIGH TEMP(A)	1		
14	S155082033	BOLT, HEX. W/WASHER	9		M8x1.25x20L
15	S155083533	BOLT, HEX. W/WASHER	2		M8x1.25x25L
16	A1865142	CONNECTOR, PIPE	1		
17	A1970201B	CLAMP, HOSE	4		
18	A1865033	W/HOSE-LOW TEMP(B)	1		

# WINDOW WIPER

FIG. 10-10

G. 866



# WINDOW WIPER

**FIG. 10-10**

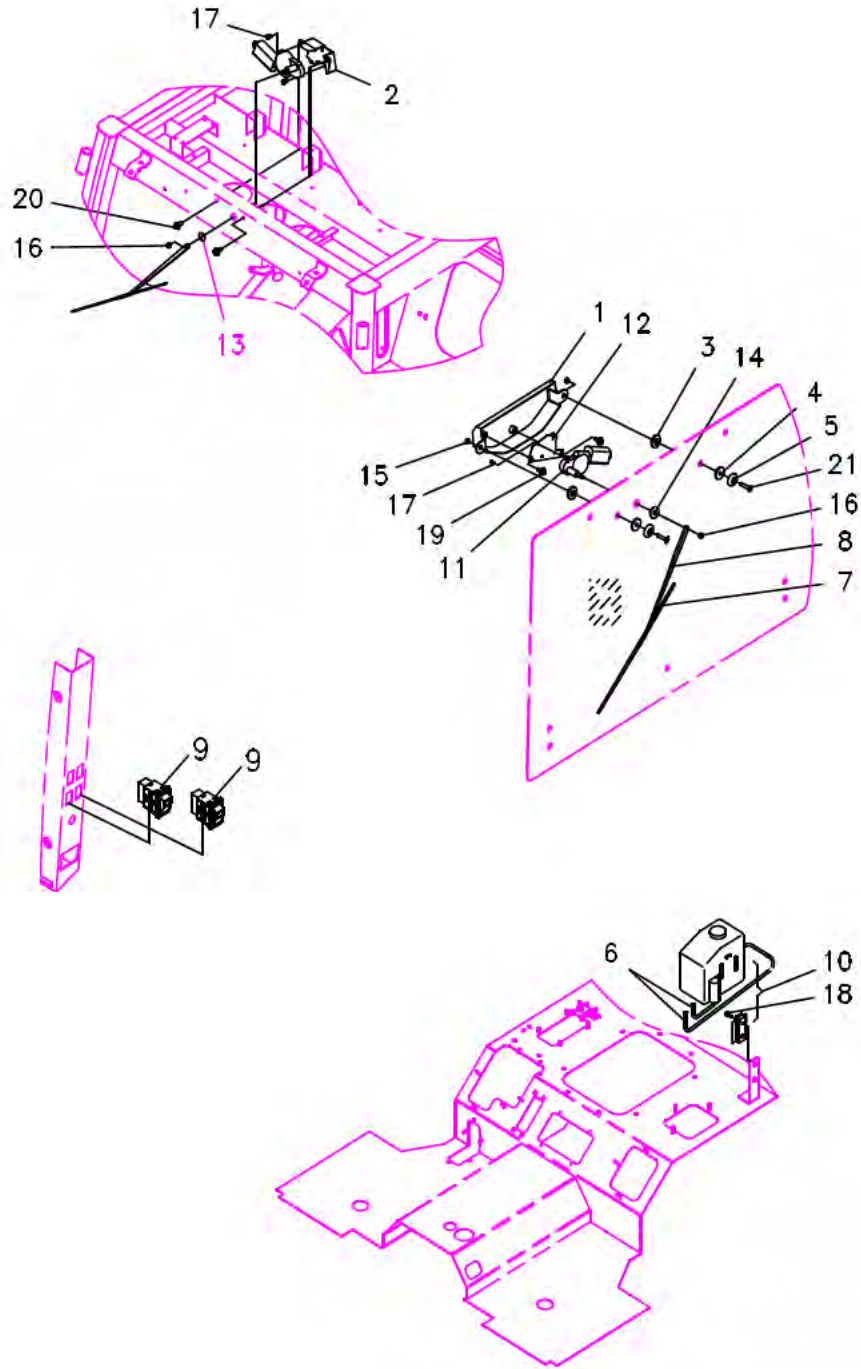
**( C )**

NO.	PART NO.	PART NAME & DESCRIPTION	QTY	APP. NO	REM.
1	A1866059	COVER, WIPER MOTOR	1		
2	A1861320	COVER, WIPER MOTOR	1		
3	A1862004	CUSHION (A)	2		
4	A1862005	CUSHION (B)	2		
5	A1862006	SPACER, GLASS	2		
6	A1866011	HOSE, WATER	2		
7	A1866014	BLADE, WIPER	2		
8	A1866015	ARM, WIPER	2		
9	A1866019	SWITCH WIPER	2		
10	A1866021	TANK, WATER	1		
11	A1866032	WIPER MOTOR ASSY	2		
12	A1866033	BRACKET, WIPER MOTOR	1		
13	A1869060	GROMMET, WIPER FRONT	1		
14	A1869061	GROMMET, WIPER REAR	1		
15	A1877079	NUT, LOCK	M8x1.25	2	
16	A1970309	NUT, LOCK	M6X1.0	2	
17	S227041213	BOLT, W/WASHER	M4x0.7x12L	4	
18	S157061613	BOLT, W/WASHER	M6x1.0x16L	2	
19	S157081613	BOLT, W/WASHER	M8x1.25x16L	2	
20	S159061613	BOLT, W/WASHER	M6x1.0x16L	2	
21	S220803511	SCREW, CROSS CSNK	M8x1.25x35L	2	

# 윈도우 와이퍼 WINDOW WIPER

FIG. 10-10

G. 866



# 윈도우 와이퍼 WINDOW WIPER

A-LT520D, B-LT550D

A-N60, B-N55

FIG. 10-10

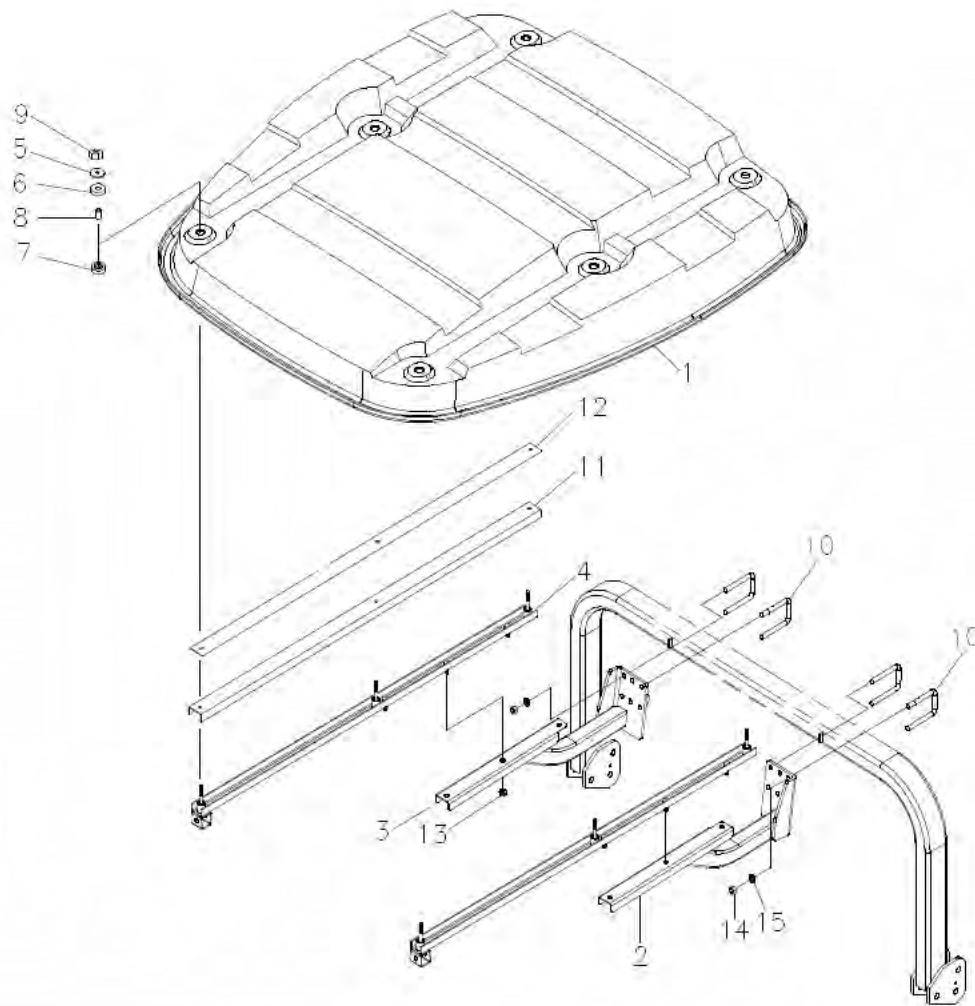
(C)

NO.	PART NO.	PART NAME & DESCRIPTION	QTY	APP. NO	REM.
1	A1861208	COVER, WIPER MOTOR	1		
2	A1861320	COVER, WIPER MOTOR	1		
3	A1862004	CUSHION (A)	2		
4	A1862005	CUSHION (B)	2		
5	A1862006	SPACER, GLASS	2		
6	A1866011	HOSE, WATER	2		
7	A1866014	BLADE, WIPER	2		
8	A1866015	ARM, WIPER	2		
9	A1866019	SWITCH WIPER	2		
10	A1866021	TANK, WATER	1		
11	A1866032	WIPER MOTOR ASSY	2		
12	A1866033	BRACKET, WIPER MOTOR	1		
13	A1869060	GROMMET, WIPER FRONT	1		
14	A1869061	GROMMET, WIPER REAR	1		
15	A1877079	NUT, LOCK	2		M8x1.25
16	A1970309	NUT, LOCK	2		M6X1.0
17	S155041213	BOLT, W/WASHER	4		M4x0.7x12L
18	S157061613	BOLT, W/WASHER	2		M6x1.0x16L
19	S157081613	BOLT, W/WASHER	2		M8x1.25x16L
20	S159061613	BOLT, W/WASHER	2		M6x1.0x16L
21	S220803511	SCREW, CROSS CSNK	2		M8x1.25x35L

# ROOF

FIG. 10-11A

G. 867





# ROOF

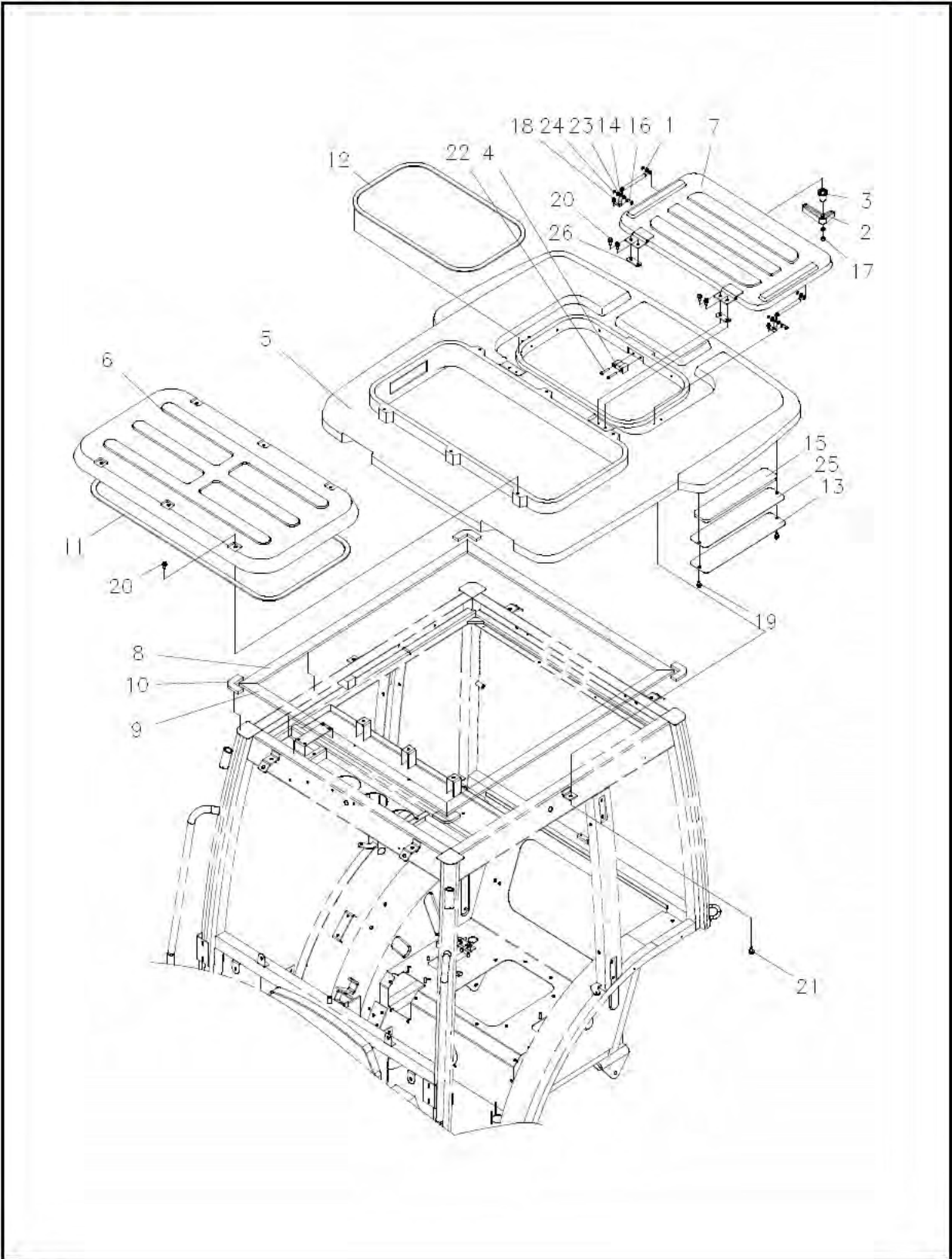
**FIG. 10-11A** **( F )**

NO.	PART NO.	PART NAME & DESCRIPTION		QTY	APP. NO	REM.
1	A1880037	ROOF, TOP		1		
2~12	A1880144	ROOF FRAME ASSY		1		
2	A1880142	ROOF BRACKET LH		1		
3	A1880143	ROOF BRACKET RH		1		
4	A1880046	ROOF BRACKET UPPER		2		
5	A1877075	WASHER, PLAIN	4TXOD40	6		
6	A1877076	RUBBER, UPPER		6		
7	A1877077	RUBBER, LOWER		6		
8	A1877078	COLLAR		6		
9	A1877079	NUT, LOCK	M8X1.25	6		
10	A1880056	U-BOLT		4		
11	A1880042	SPACER, ROOF TOP		2		
12	A1880043	SPONGE, SPACER		2		
13	S346100043	NUT, FLANGE A-TY.	M10x1.25	6		
14	S301120013	NUT, HEX	M12x1.75	8		
15	S361120013	WASHER, SPR		8		

# ROOF

FIG. 10-11C

G. 867



# ROOF

**FIG. 10-11C AG**

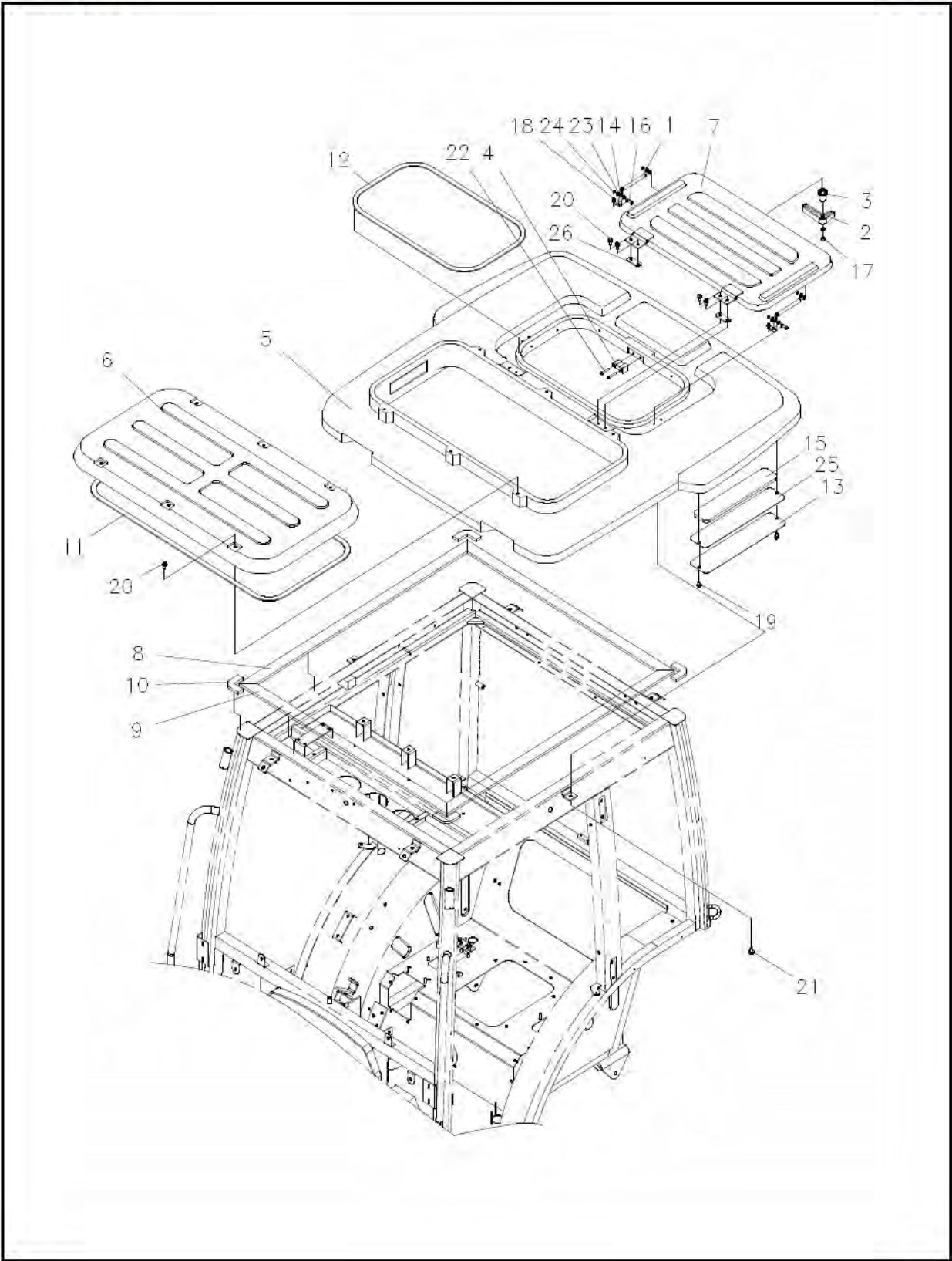
**( C )**

NO.	PART NO.	PART NAME & DESCRIPTION	QTY	APP. NO	REM.
1~24	A1867025	ROOF ASSY	GREEN	1	
1	A1861248	GAS CYLINDER ASSY		2	
2	A1862008	HANDLE, DOOR		1	
3	A1862009	SPACER, HANDLE		1	
4	A1862010	STOPPER, LOCK		1	
5	A1867028	ROOF, TOP	GREEN	1	
6	A1867026	COVER, ROOF	GREEN	1	
7	A1867027	SUN ROOF	GREEN	1	
8	A1867006	SPONGE "A"		2	
9	A1867007	SPONGE "B"		2	
10	A1867008	SPONGE "C"		4	
11	A1867009	SPONGE "D"		1	
12	A1867010	WEATHER STRIP, SUN ROOF		1	
13	A1867011	COVER, FILTER		2	
14	A1867012	BRACKET, GAS CYLINDER		2	
15	A1867013	FILTER		2	
16	A1867015	PIN, GAS CYLINDER		2	
17	A1877079	NUT, LOCK	M8x1.25	1	
18	S155061233	BOLT, HEX W/WASHER	M6x1.0x12L	4	
19	S155081633	BOLT, HEX W/WASHER	M8x1.25x16L	4	
20	S155082033	BOLT, HEX W/WASHER	M8x1.25x20L	10	
21	S159081633	BOLT, HEX W/WASHER	M8x1.25x16L	6	
22	S219604011	SCREW, CROSS. PAN	M6x1.0x40L	2	
23	S363080013	WASHER, PLN.	Φ15.5/Φ8.4x1.6T	5	
24	S814006003	RING, SNAP		4	
25	A1867016	SPONGE, COVER FILTER		2	
26	A1867024	PLATE, HINGE		2	

# ROOF

FIG. 10-11B

G. 867



# ROOF

FIG. 10-11B

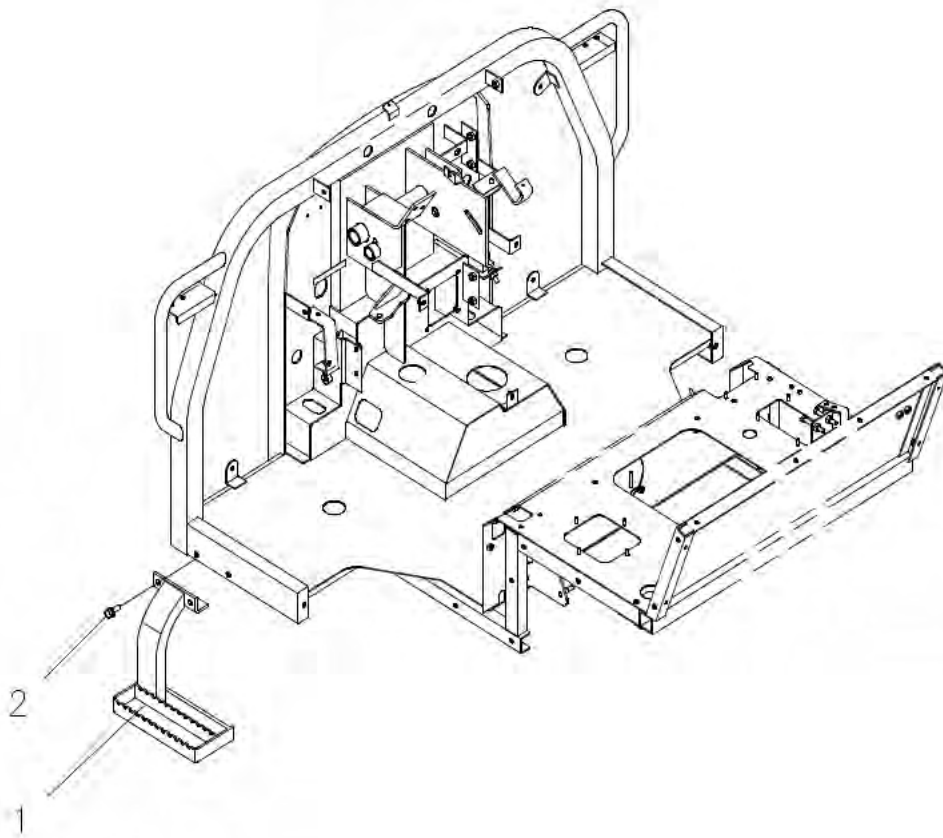
( C )

NO.	PART NO.	PART NAME & DESCRIPTION	QTY	APP. NO	REM.
1~24	A1867000	ROOF ASSY	1		
1	A1861248	GAS CYLINDER ASSY	2		
2	A1862008	HANDLE, DOOR	1		
3	A1862009	SPACER, HANDLE	1		
4	A1862010	STOPPER, LOCK	1		
5	A1867023	ROOF, TOP	1		
6	A1867019	COVER, ROOF	1		
7	A1867021	SUN ROOF	1		
8	A1867006	SPONGE"A"	2		
9	A1867007	SPONGE"B"	2		
10	A1867008	SPONGE"C"	4		
11	A1867009	SPONGE"D"	1		
12	A1867010	WEATHER STRIP,SUN ROOF	1		
13	A1867011	COVER, FILTER	2		
14	A1867012	BRACKET, GAS CYLINDER	2		
15	A1867013	FILTER	2		
16	A1867015	PIN, GAS CYLINDER	2		
17	A1877079	NUT, LOCK	1		M8x1.25
18	S155061233	BOLT,HEX W/WASHER	4		M6x1.0x12L
19	S155081633	BOLT,HEX W/WASHER	4		M8x1.25x16L
20	S155082033	BOLT,HEX W/WASHER	10		M8x1.25x20L
21	S159081633	BOLT,HEX W/WASHER	6		M8x1.25x16L
22	S219604011	SCREW, CROSS.PAN	2		M6x1.0x40L
23	S363080013	WASHER, PLN.	5		Φ15.5/Φ8.4x1.6T
24	S814006003	RING, SNAP	4		
25	A1867016	SPONGE,COVER FILTER	2		
26	A1867024	PLATE, HINGE	2		

# EXTERIOR

FIG. 10-12A-3

G. 868

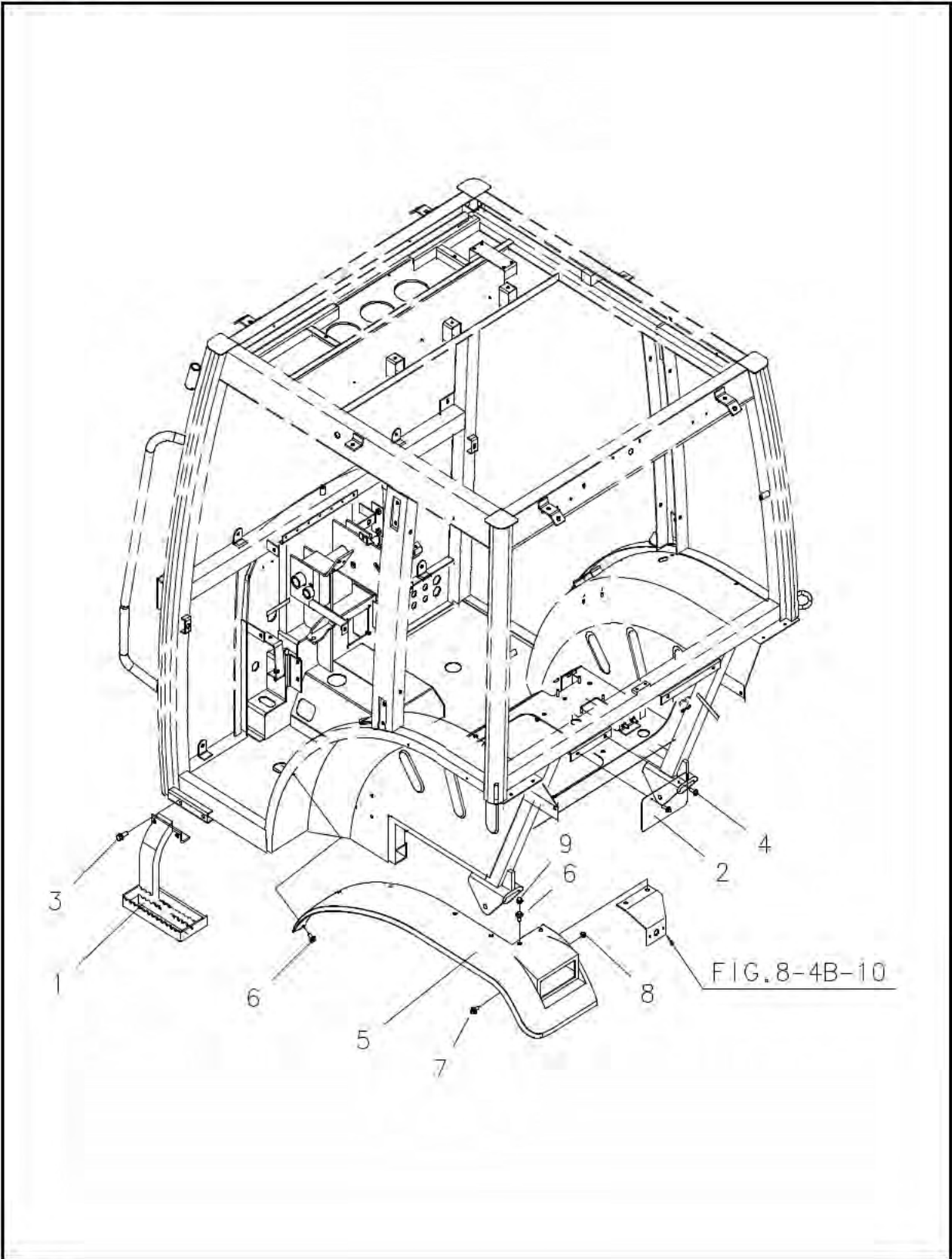




# EXTERIOR

FIG. 10-12C

G. 868





# EXTERIOR

**FIG. 10-12C AG**

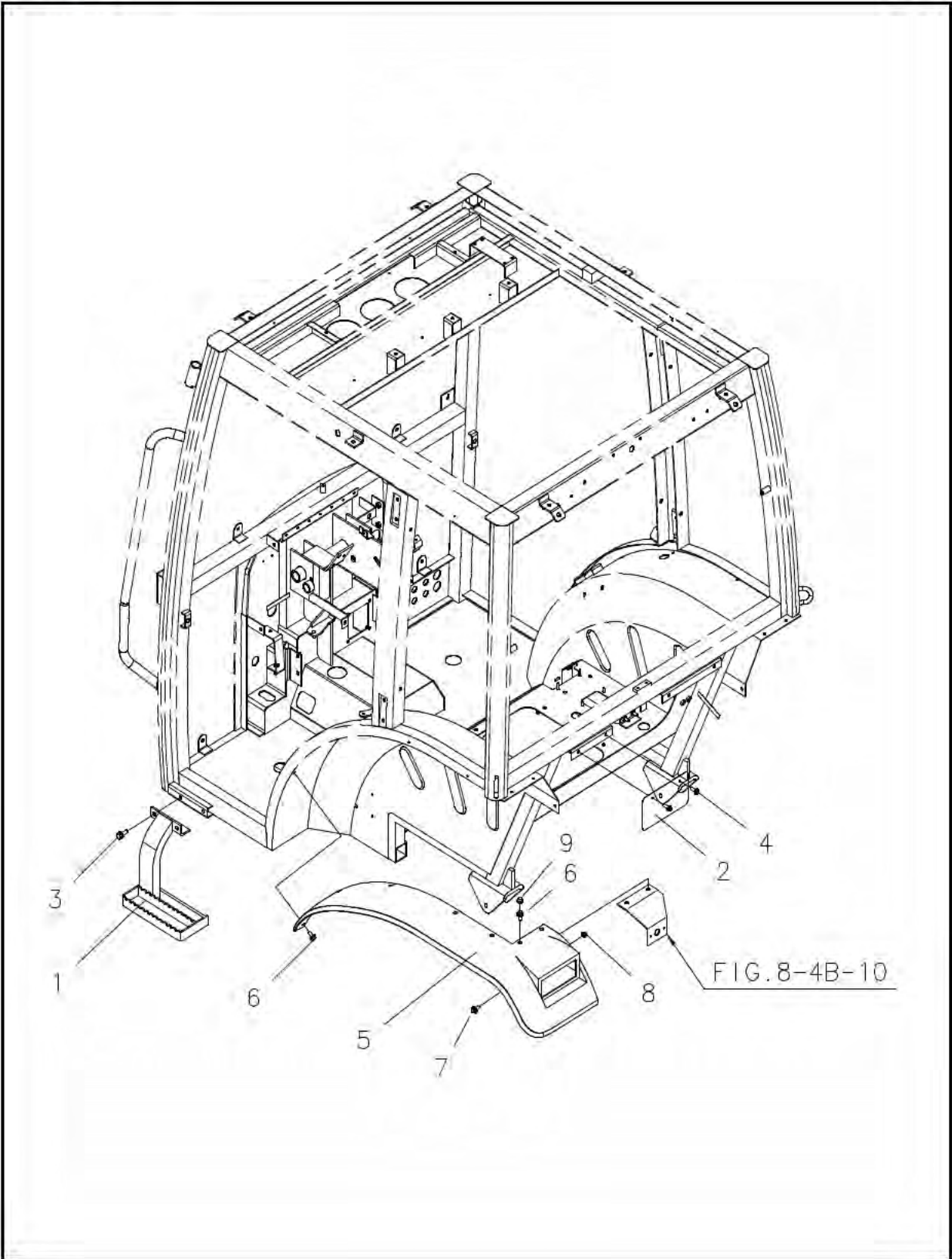
**( C )**

NO.	PART NO.	PART NAME & DESCRIPTION		QTY	APP. NO	REM.
1	A1868012	STEP, SUB LH		1		
	A1868013	STEP, SUB RH		1		
2	A1920032	NUMBER PLATE		1		
3	S156103033	BOLT, HEX. W/WASHER	M10x1.25x30L	4		
4	S159061613	BOLT, HEX. W/WASHER	M6x1.0x16L	2		
5	A1868019	GUARD, MUD LH	GREEN	1		
	A1868020	GUARD, MUD RH	GREEN	1		
6	S159081633	BOLT, HEX. W/WASHER	M8x1.25x16L	14		
7	S159082013	BOLT, HEX. W/WASHER	M8x1.25x20L	2		
8	S343080013	NUT, FLANGE A-TY	M8x1.25	2		
9	A1830283	CAP, BOLT		6		

# EXTERIOR

FIG. 10-12B

G. 868



# EXTERIOR

FIG. 10-12B

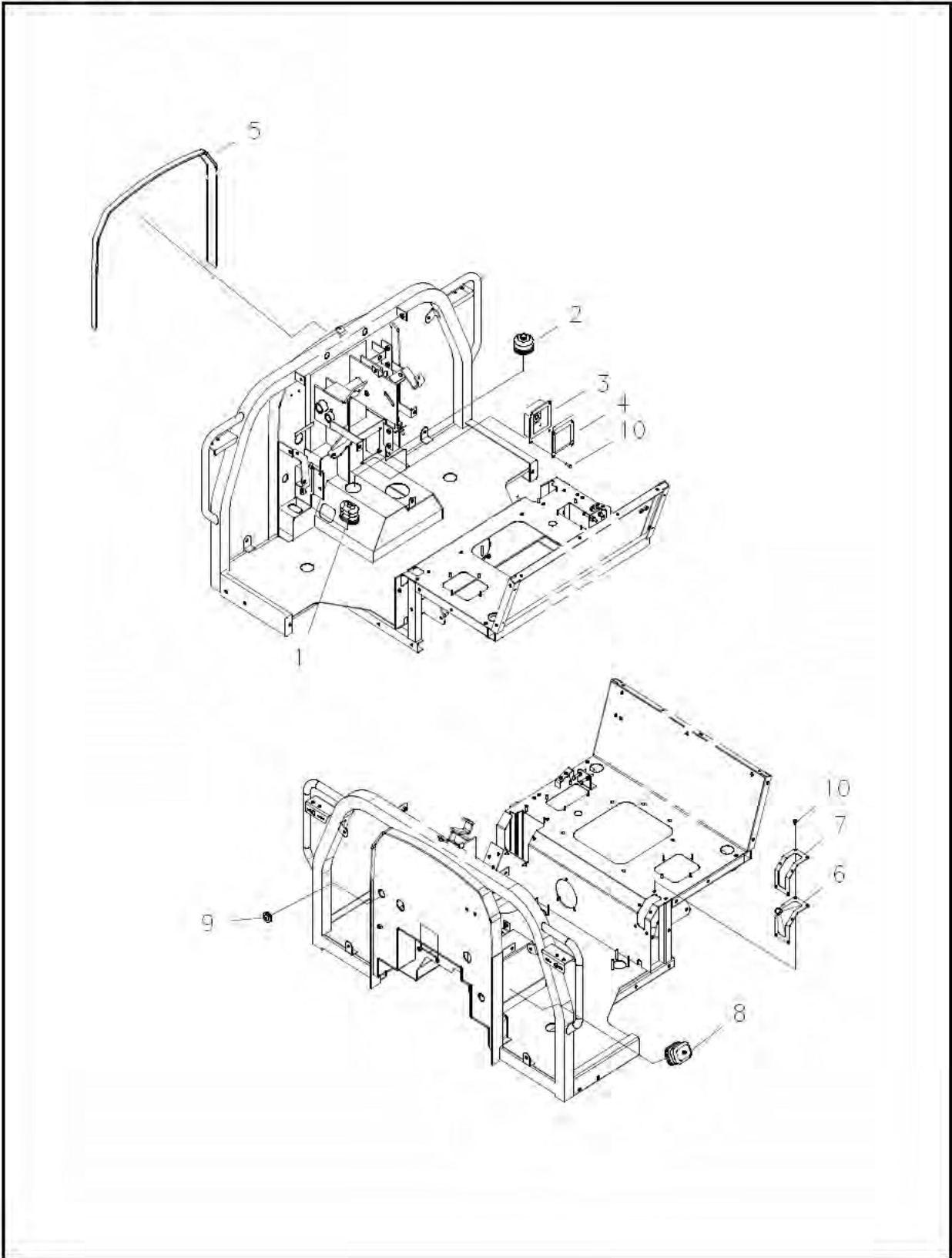
(C)

NO.	PART NO.	PART NAME & DESCRIPTION	QTY	APP. NO	REM.
1~4	A11D5C868MC	EXTERIOR GRP.			
1	A1868012	STEP, SUB LH	1		
	A1868013	STEP, SUB RH	1		
2	A1920032	NUMBER PLATE	1		
3	S156103033	BOLT, HEX. W/WASHER			
		M10x1.25x30L	4		
4	S159061613	BOLT, HEX. W/WASHER			
		M6x1.0x16L	2		
5~9	A11D5S868MC	EXTERIOR SUB GRP.			
5	A1868016	GUARD, MUD LH	1		
	A1868018	GUARD, MUD RH	1		
6	S159081633	BOLT, HEX. W/WASHER			
		M8x1.25x16L	14		
7	S159082013	BOLT, HEX. W/WASHER			
		M8x1.25x20L	2		
8	S343080013	NUT, FLANGE A-TY			
		M8x1.25	2		
9	A1830283	CAP, BOLT			
			6		

# COMMON

FIG. 10-13A-1

G. 869

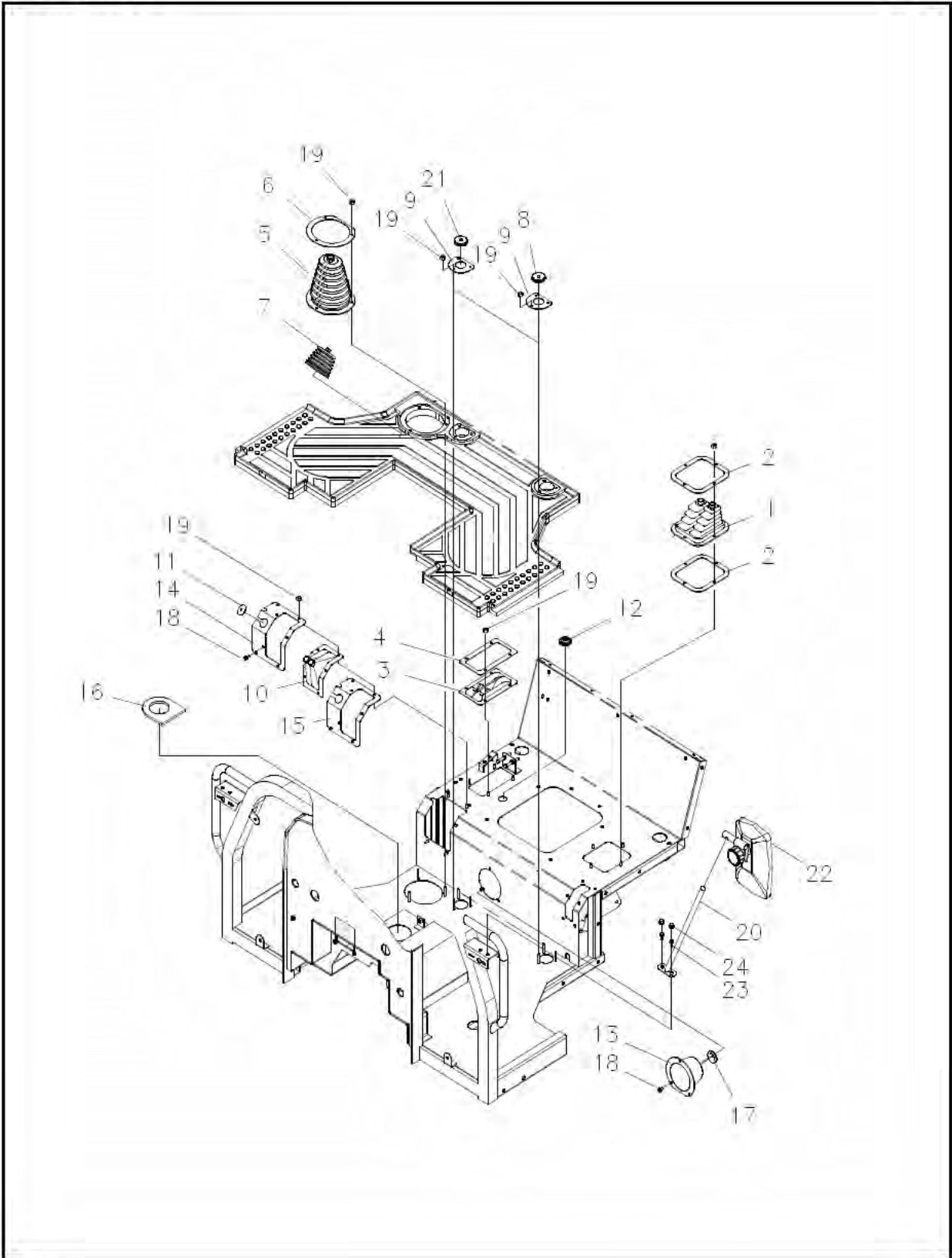




# COMMON

FIG. 10-13A-2

G. 869



# COMMON

**FIG. 10-13A-2**

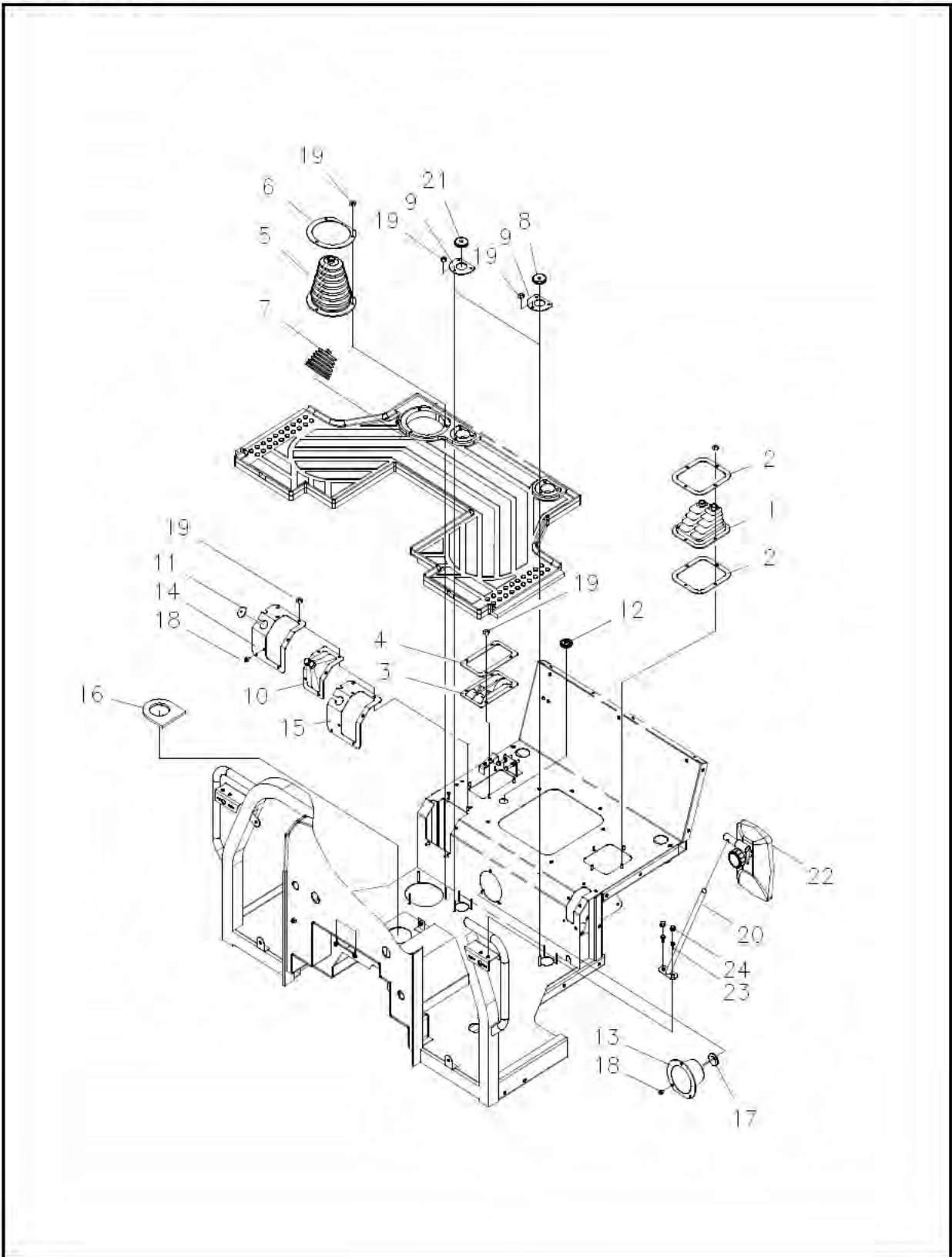
**( F )**

NO.	PART NO.	PART NAME & DESCRIPTION		QTY	APP. NO	REM.
1	A1869107	COVER, 4WD&RANGE		1		
2	A1869048	PLATE, PTO LEVER		2		
3	A1869057	COVER, HYD. CONTROL		1		
4	A1869058	PLATE, HYD. CON. LEVER		1		
5	A1869066	COVER, DUST (MAIN)		1		
6	A1869067	PLATE, DUST (MAIN)		1		
7	A1869070	COVER, DUST (PTO)		1		
8	A1869071	COVER, DUST	Φ10	1		
9	A1869072	PLATE, DUST (DIFF PEDAL)		2		
10	A1869073	COVER, DUST (AUX LEVER)		1		
11	A1869091	GROMMET		1		
12	A1869077	GROMMET		1		
13	A1869078	COVER, D/SPEED V/V		1		
14	A1869080	PLATE, AUX LEVER (UPPER)		1		
15	A1869081	PLATE, AUX LEVER (LOWER)		1		
16	A1869086	COVER, DUST PTO		1		
17	A1970363	COVER, DUST		1		
18	S159062533	BOLT, HEX. W/WASHER	M6x1.0x25L	1		
19	S343060013	NUT, FLANGE A-TY.	M6x1.0	22		
20	A1861092	STAY, REAR VIEW MIRROR		1		
21	A1869087	COVER, DUST (DIFF PEDAL)	Φ13	1		
22	A1920070	MIRROR, REAR VIEW		1		
23	S159082033	BOLT, HEX. W/WASHER	M8X1.25X20L	2		
24	A1830283	CAP, BOLT		2		

# COMMON

FIG. 10-13A-2

G. 869





# COMMON

**FIG. 10-13A-2**

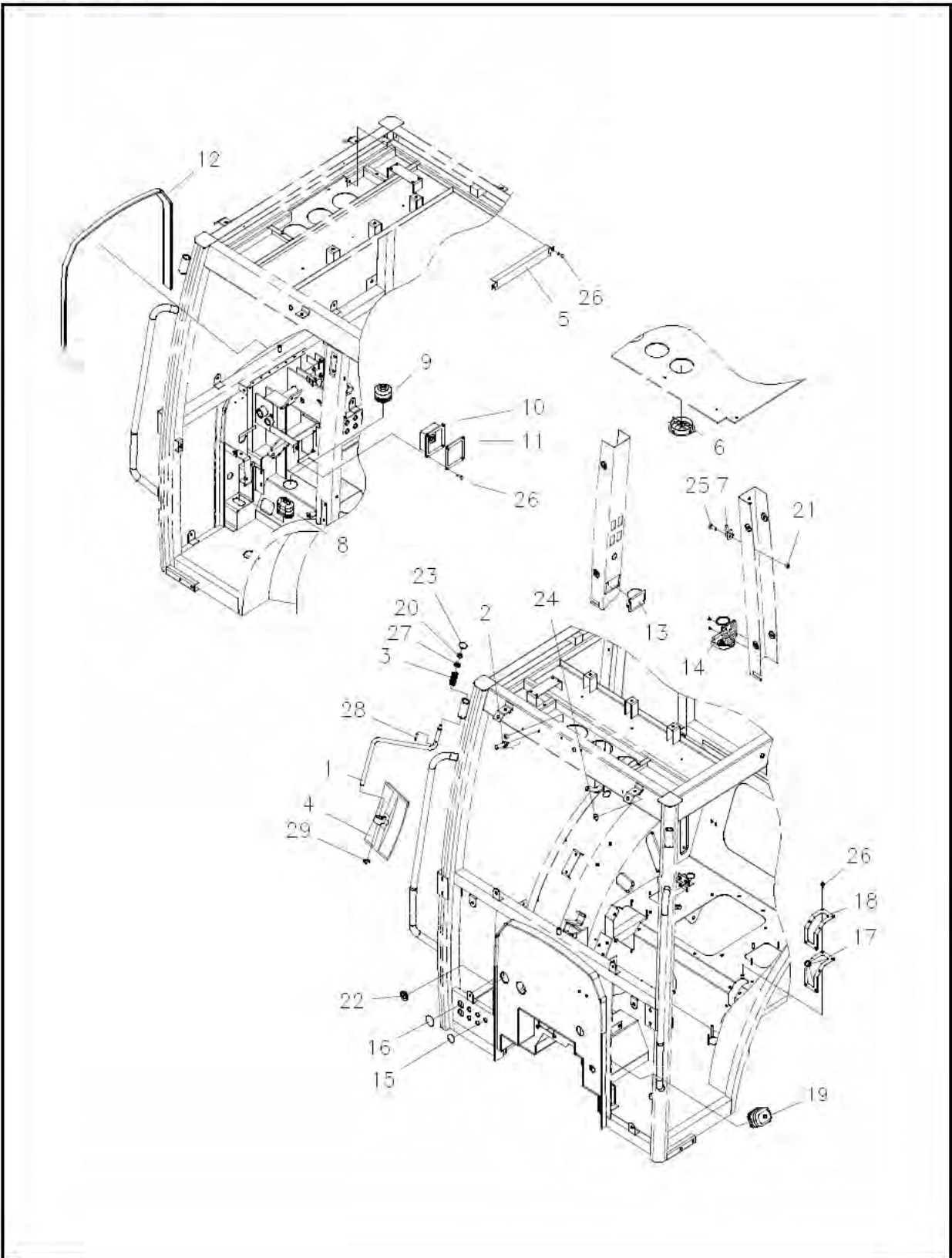
**( F )**

NO.	PART NO.	PART NAME & DESCRIPTION	QTY	APP. NO	REM.
1	A1869038	COVER, 4WD&CREEPER	1		
2	A1869048	PLATE, PTO LEVER	2		
3	A1869057	COVER, HYD. CONTROL	1		
4	A1869058	PLATE, HYD. CON. LEVER	1		
5	A1869066	COVER, DUST (MAIN)	1		
6	A1869067	PLATE, DUST (MAIN)	1		
7	A1869087	COVER, DUST	1		
8	A1869071	COVER, DUST (DIFF PEDAL)	1		
9	A1869072	PLATE, DUST (DIFF PEDAL)	2		
10	A1869073	COVER, DUST (AUX LEVER)	1		
11	A1869091	GROMMET	1		
12	A1869077	GROMMET	1		
13	A1869078	COVER, D/SPEED V/V	1		
14	A1869080	PLATE, AUX LEVER (UPPER)	1		
15	A1869081	PLATE, AUX LEVER (LOWER)	1		
16	A1869086	COVER,DUST PTO	1		
17	A1970363	COVER, DUST	1		
18	A1869090	BOLT, HEX. W/WASHER	M6x1.0x25L 1		
19	A1830573	NUT, FLANGE A-TY.	M6x1.0 22		
20	S343060013	STAY, REAR VIEW MIRROR	1		
21	A1869087	COVER, DUST (DIFF PEDAL)	1		
22	A1920070	MIRROR, REAR VIEW	1		
23	S159082033	BOLT, HEX. W/WASHER	M8X1.25X20L 2		
24	A1830283	CAP, BOLT	2		

# COMMON

FIG. 10-13B-1

G. 869



# COMMON

**FIG. 10-13B-1**

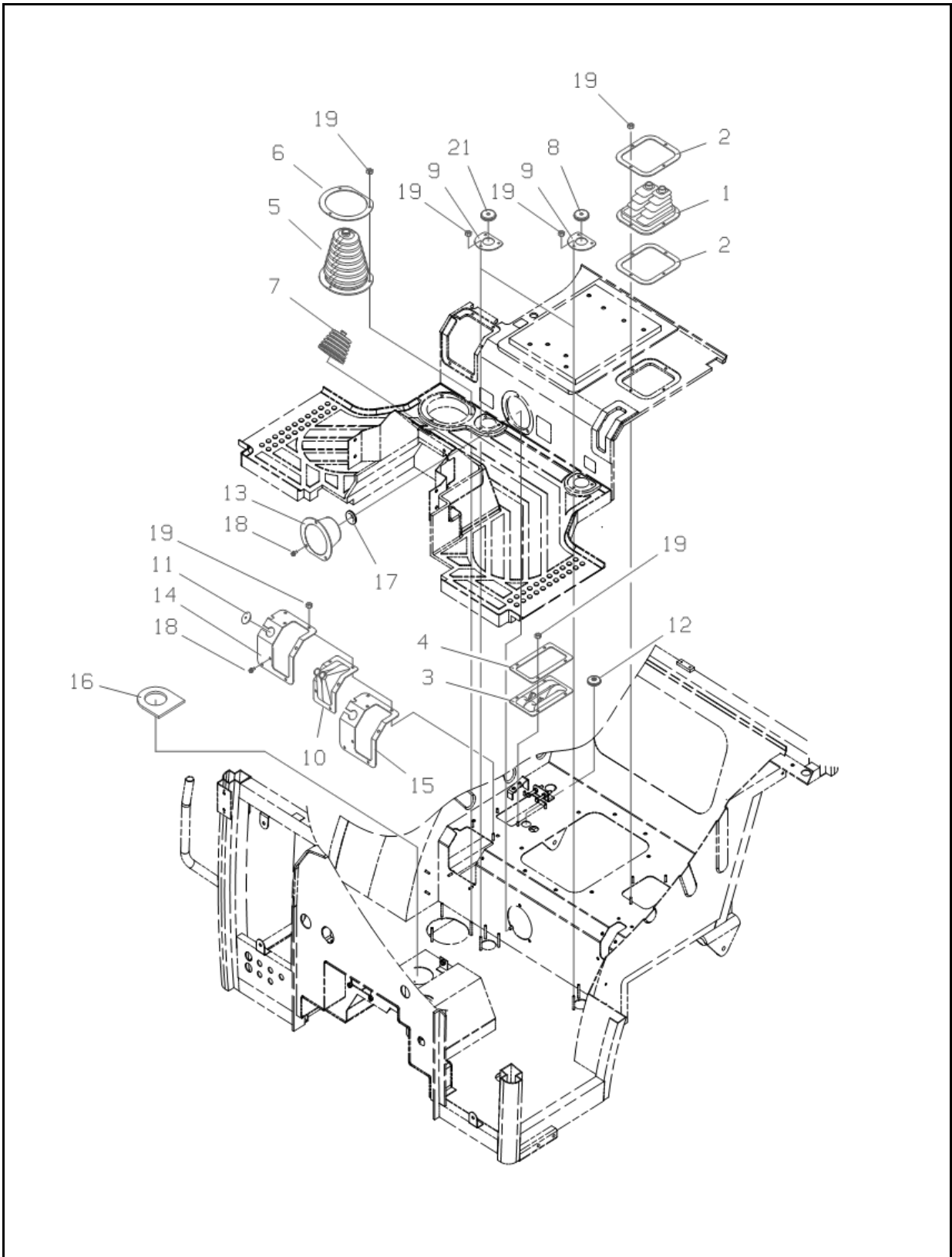
**( C )**

NO.	PART NO.	PART NAME & DESCRIPTION	QTY	APP. NO	REM.
1	A1861092	STAY, BACK MIRROR	2		
2	A1861174	NOZZLE ASSY	2		
3	A1861196	SPRING, BACK MIRROR	2		
4	A1861265	BACK MIRROR ASSY	2		
5	A1861316	BRACKET, AIR-CON DUCT	1		
6	A1865006	GRILL	5		
7	A1869012	HANGER	1		
8	A1869041	COVER, DUST BRAKE ROD	2		
9	A1869044	COVER, DUST F-R LEVER	1		
10	A1869045	COVER, HOSE DUST	1		
11	A1869051	PLATE, STEERING HOSE	1		
12	A1869052	WEATHER STRIP	1		
13	A1869053	ASHTRAY	1		
14	A1869093	CUP HOLDER	1		
15	A1869063	CAP, RUBBER	5		
16	A1869064	CAP, RUBBER	2		
17	A1869075	COVER, PARKING BRAKE	1		
18	A1869076	PLATE,DUST(PARKING)	1		
19	A1869084	COVER,DUST CLUTCH ROD	1		
20	A1970308	NUT, LOCK	M10x1.25 2		
21	A1970309	NUT, LOCK	M6x1.0 1		
22	A1970322	GROMMET	6		
23	A1970328	CAP, RUBBER	2		
24	A1970330	GROMMET	4		
25	S157061613	BOLT, HEX. W/WASHER	M6x1.0x16L 1		
26	S159061633	BOLT, HEX W/WASHER	M6x1.0x16L 12		
27	S365102613	WASHER, PLN. L-RD	Φ26/Φ10.5x2.5T 2		
28	S446063212	PIN, SPRING W-TY.	Φ6x32L 2		
29	S810016001	RING, SNAP	2		

# COMMON

FIG. 10-13B-2

G. 869



# COMMON

**FIG. 10-13B-2**

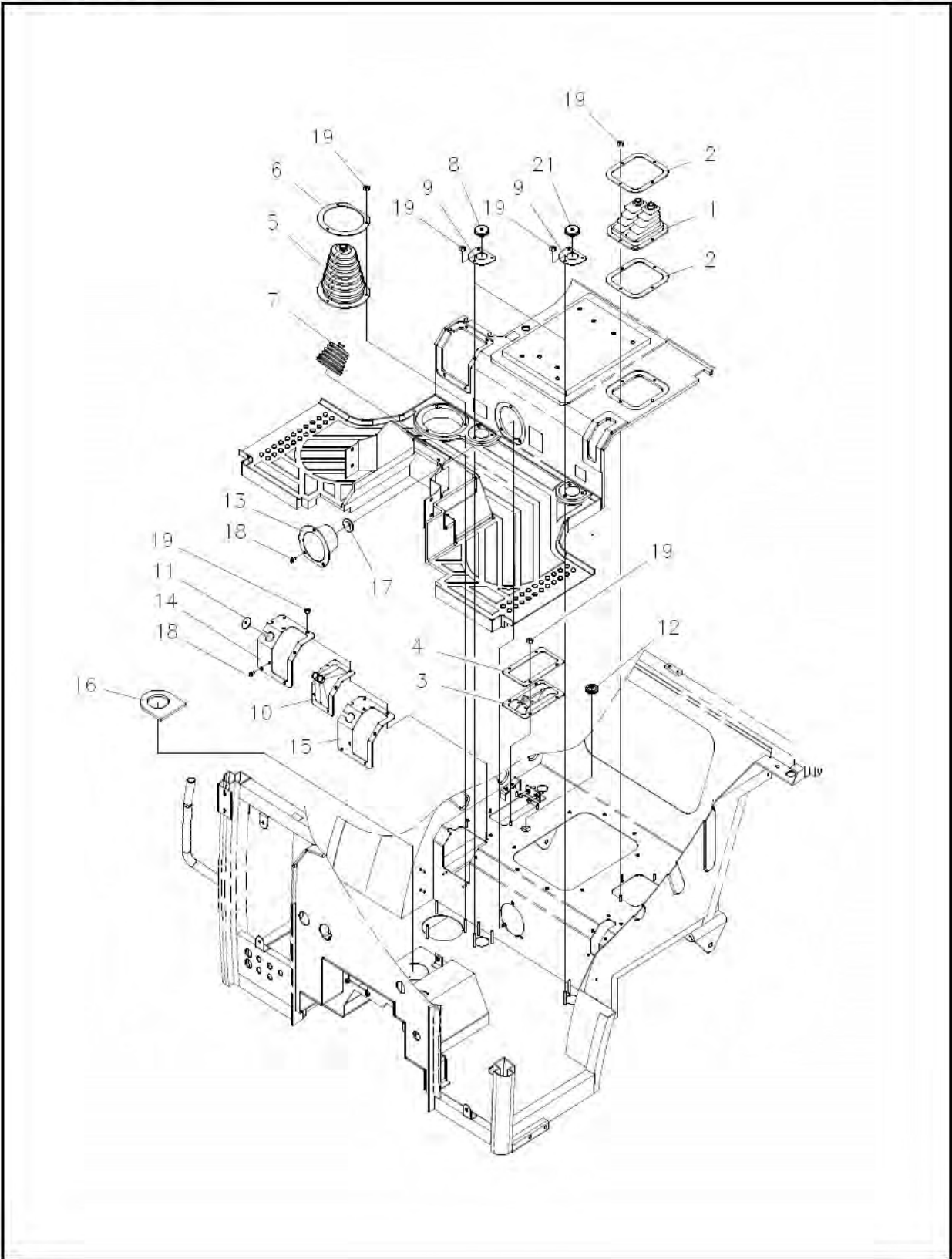
**( C )**

NO.	PART NO.	PART NAME & DESCRIPTION		QTY	APP. NO	REM.
1	A1869107	COVER, 4WD&RANGE		1		
2	A1869048	PLATE, PTO LEVER		2		
3	A1869057	COVER, HYD. CONTROL		1		
4	A1869058	PLATE, HYD. CON. LEVER		1		
5	A1869066	COVER, DUST (MAIN)		1		
6	A1869067	PLATE, DUST (MAIN)		1		
7	A1869070	COVER, DUST (PTO LEVER)		1		
8	A1869071	COVER, DUST	Φ10	1		
9	A1869072	PLATE, DUST (DIFF PEDAL)		2		
10	A1869073	COVER, DUST (AUX LEVER)		1		
11	A1869091	GROMMET		1		
12	A1869077	GROMMET		1		
13	A1869078	COVER, D/SPEED V/V		1		
14	A1869080	PLATE, AUX LEVER (UPPER)		1		
15	A1869081	PLATE, AUX LEVER (LOWER)		1		
16	A1869086	COVER, DUST PTO		1		
17	A1970363	COVER, DUST		1		
18	S159062533	BOLT, HEX. W/WASHER	M6x1.0x25L	1		
19	S343060013	NUT, FLANGE A-TY.	M6x1.0	27		
20	S151062533	BOLT, HEX.	M6x25	3		
21	A1869087	COVER, DUST	Φ13	1		

# COMMON

FIG. 10-13B-2

G. 869



# COMMON

**FIG. 10-13B-2**

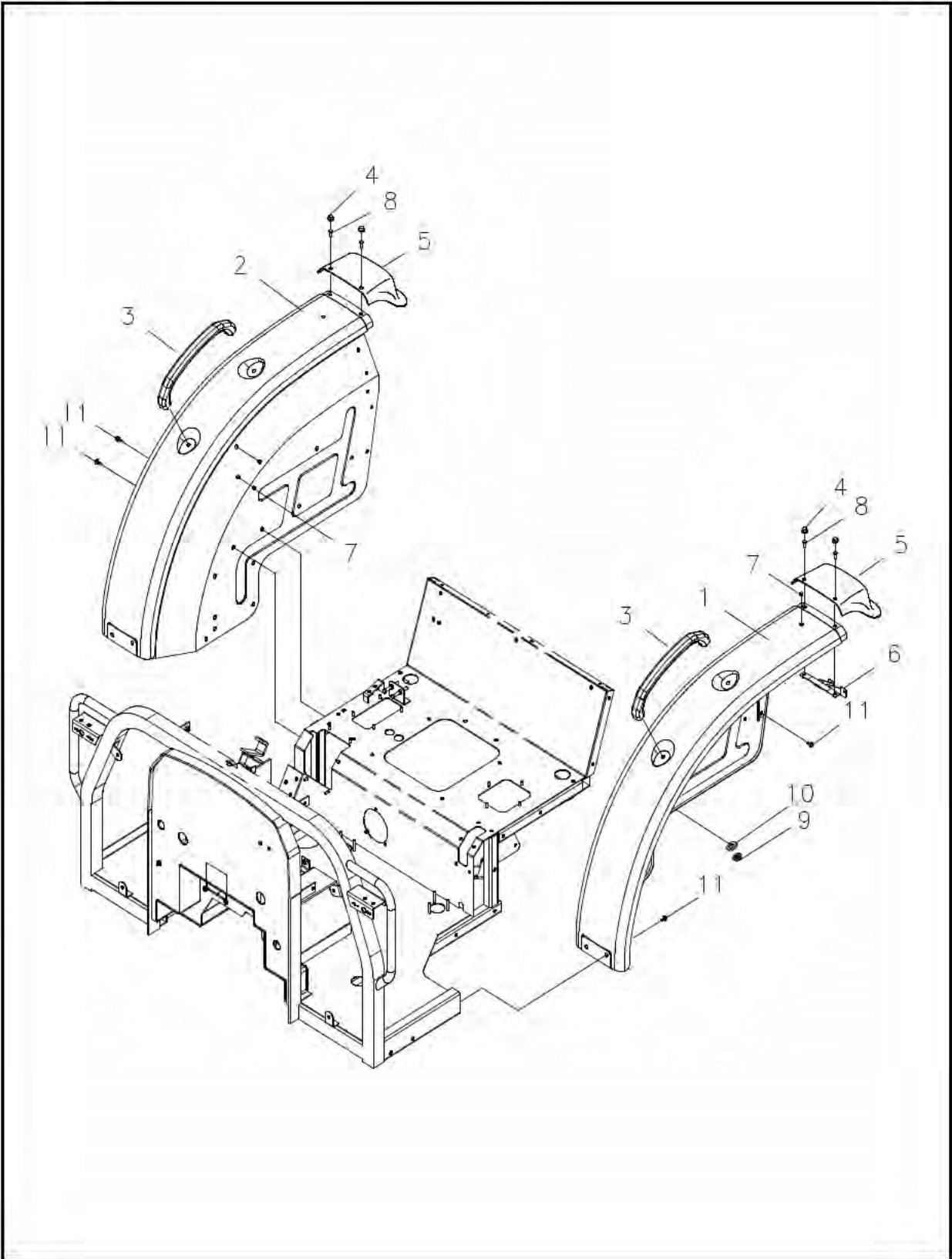
**( C )**

NO.	PART NO.	PART NAME & DESCRIPTION	QTY	APP. NO	REM.
1	A1869038	COVER, 4WD&CREEPER	1		
2	A1869048	PLATE, PTO LEVER	2		
3	A1869057	COVER, HYD. CONTROL	1		
4	A1869058	PLATE, HYD. CON. LEVER	1		
5	A1869066	COVER, DUST (MAIN)	1		
6	A1869067	PLATE, DUST (MAIN)	1		
7	A1869070	COVER, DUST (PTO LEVER)	1		
8	A1869071	COVER, DUST (DIFF PEDAL)	2		
9	A1869072	PLATE, DUST (DIFF PEDAL)	2		
10	A1869073	COVER, DUST (AUX LEVER)	1		
11	A1869091	GROMMET	1		
12	A1869077	GROMMET	1		
13	A1869078	COVER, D/SPEED V/V	1		
14	A1869080	PLATE, AUX LEVER (UPPER)	1		
15	A1869081	PLATE, AUX LEVER (LOWER)	1		
16	A1869086	COVER, DUST PTO	1		
17	A1970363	COVER, DUST	1		
18	S159062533	BOLT, HEX. W/WASHER	M6x1.0x25L	1	
19	S343060013	NUT, FLANGE A-TY.	M6x1.0	27	
20	S151062533	BOLT, HEX.	M6x25	3	
21	A1869087	COVER, DUST	1		

# FENDER

FIG. 10-14B

G. 870



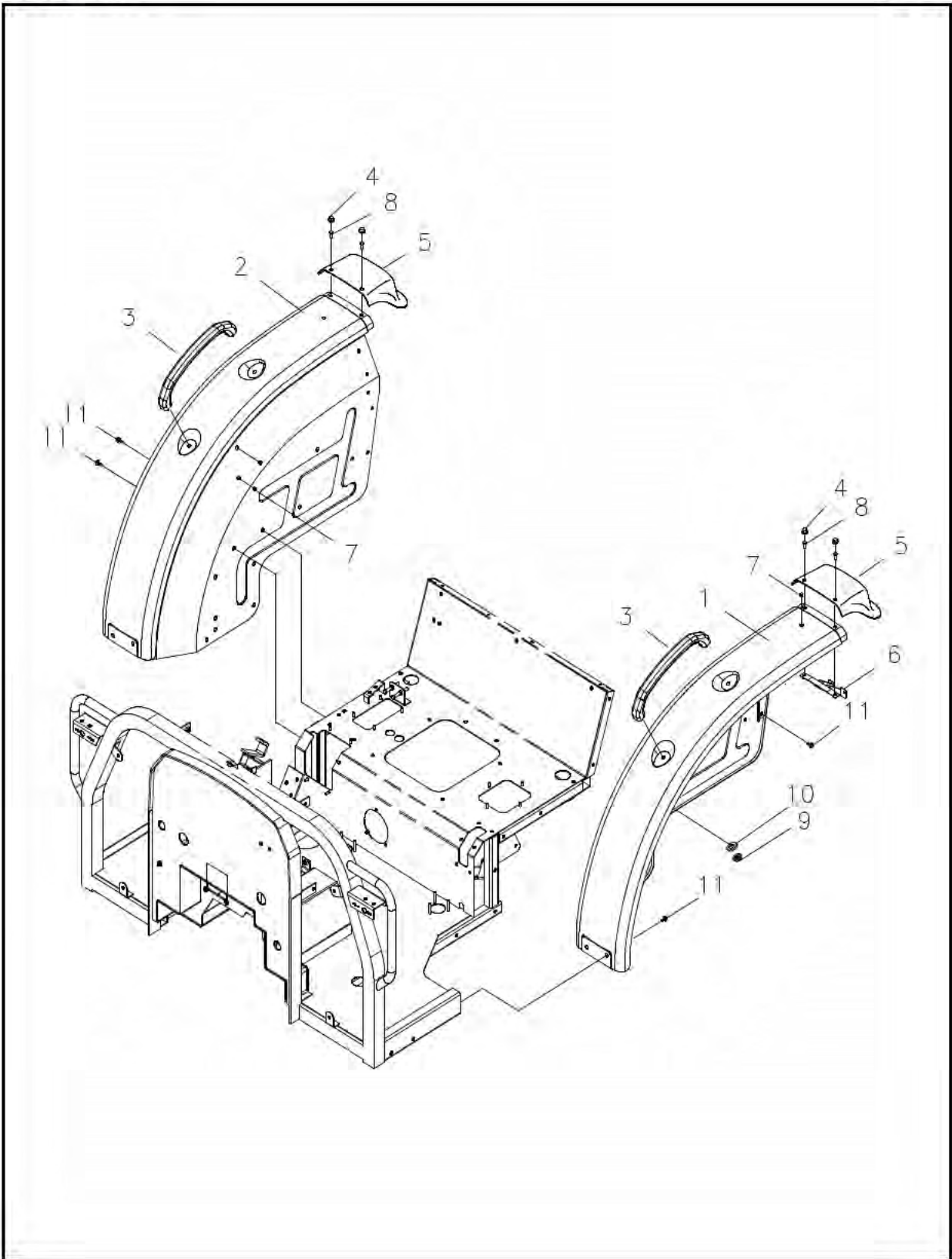




# FENDER

FIG. 10-14-2

G. 870

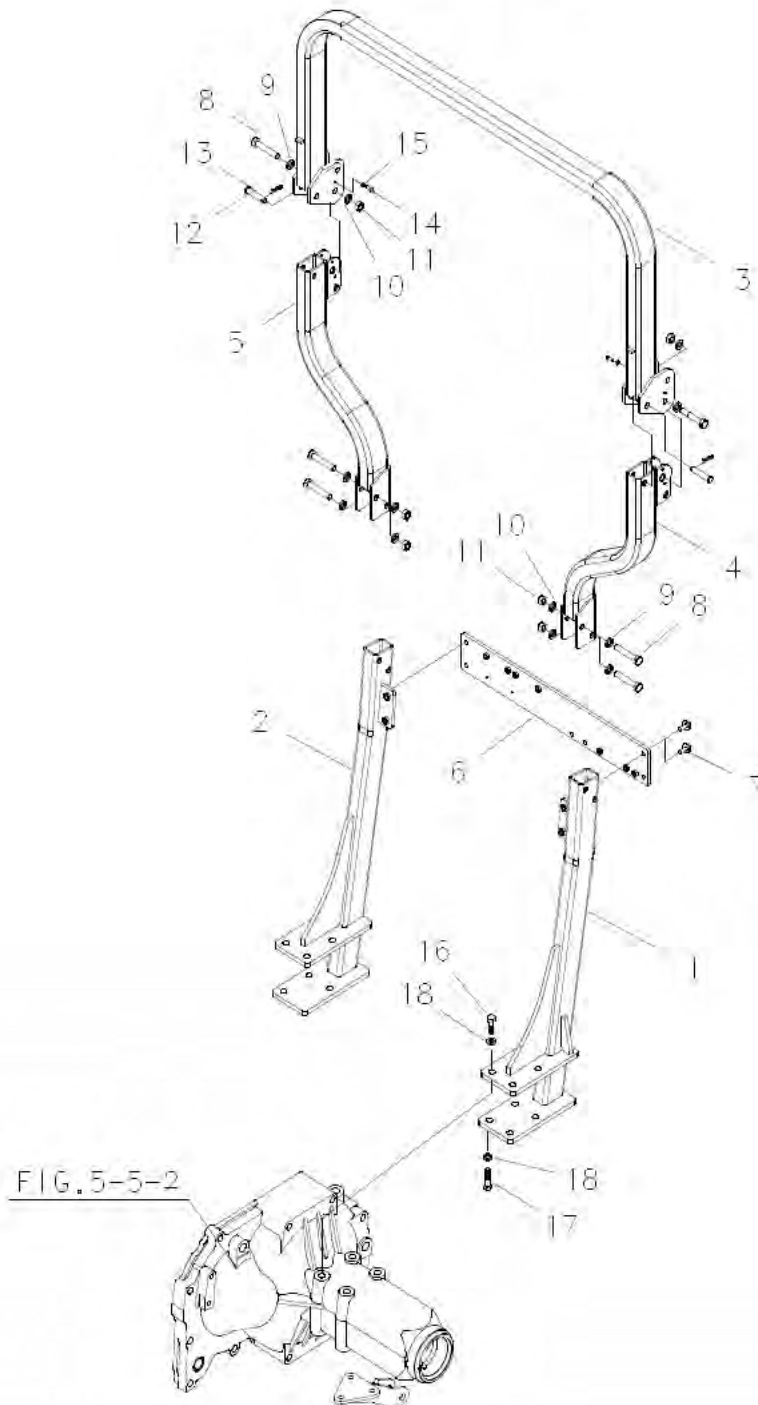




# ROPS

FIG. 10-15

G. 880

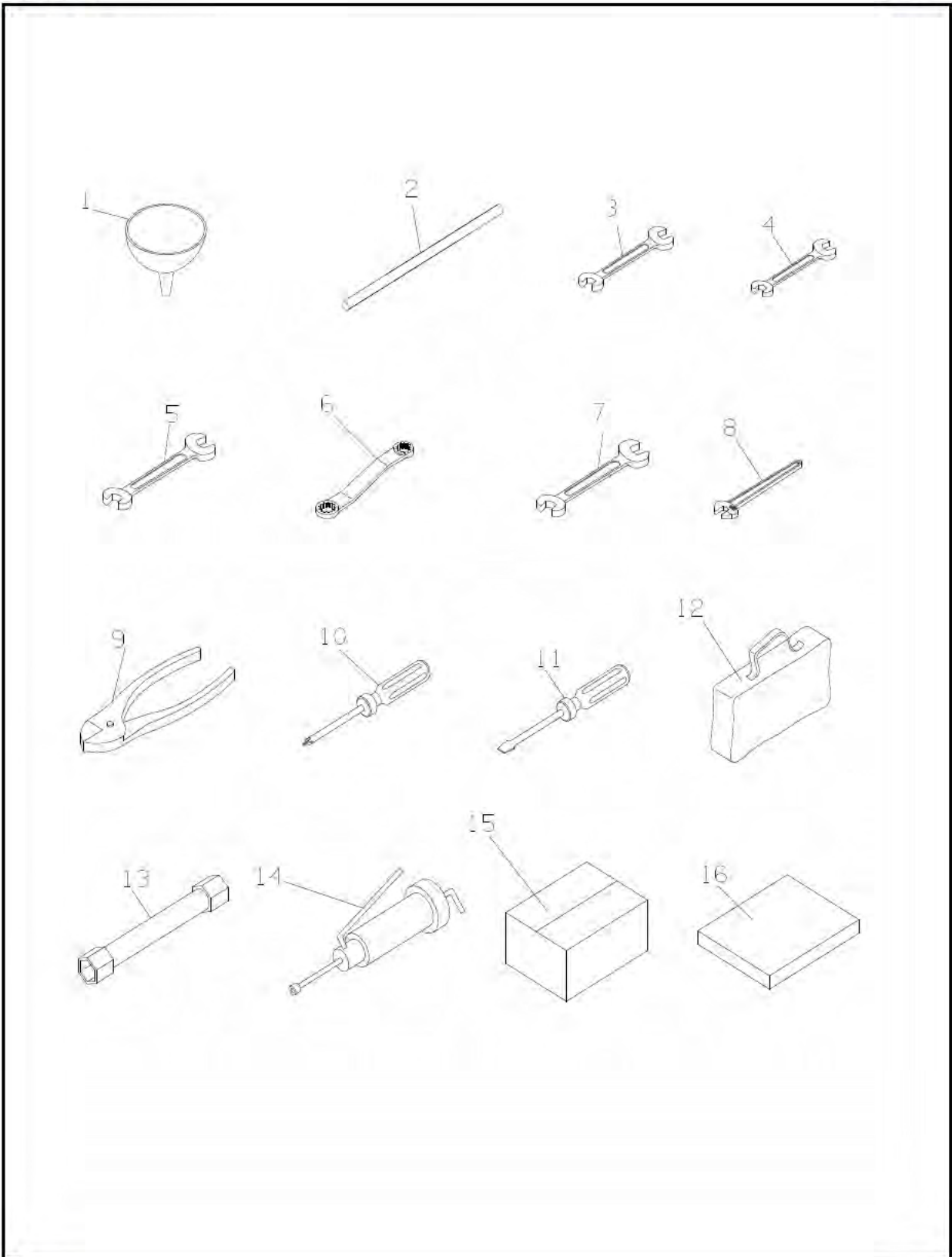




# TOOL

FIG. 11-1

G. 920

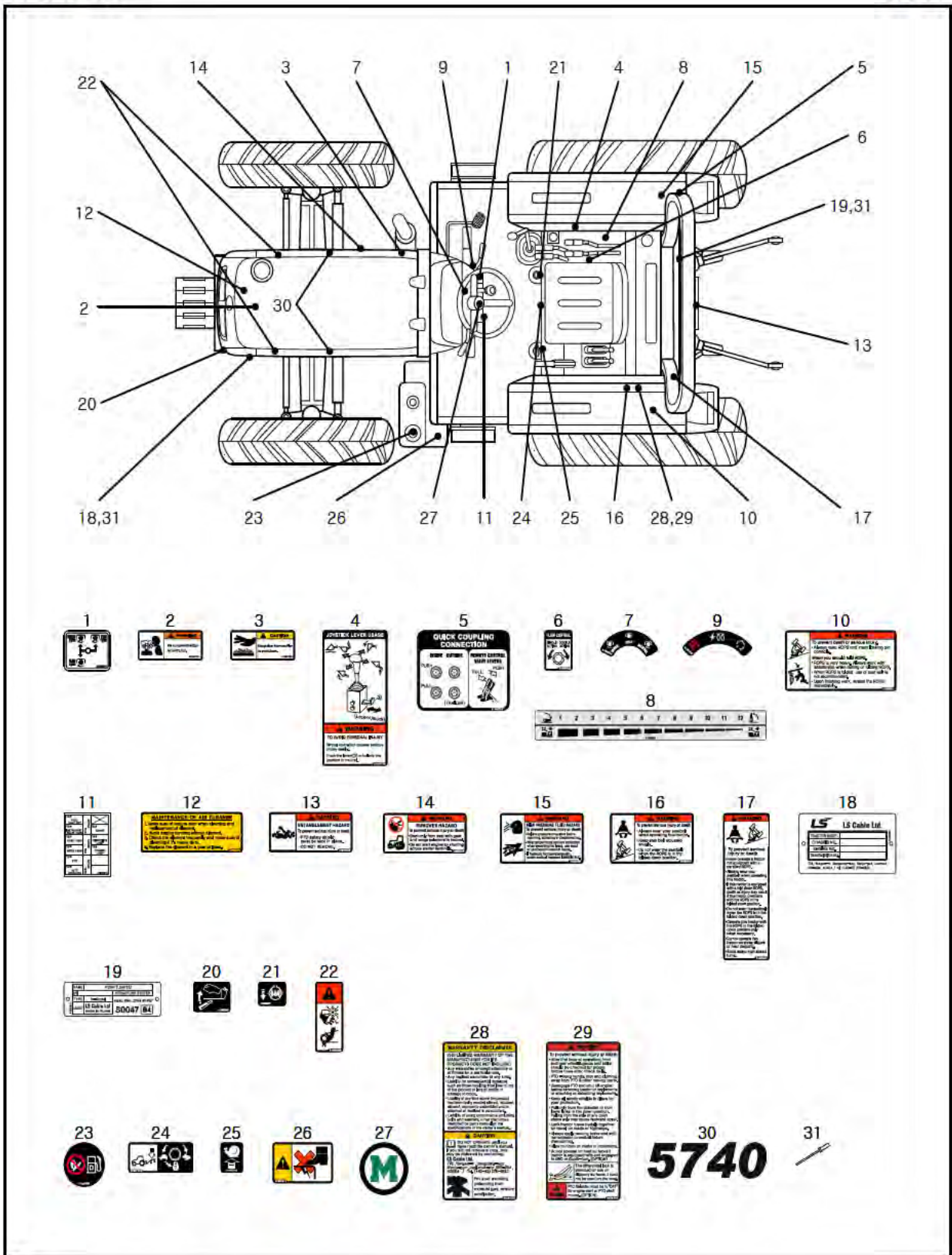




# DECAL

FIG. 12-1A

G. 980





# DECAL

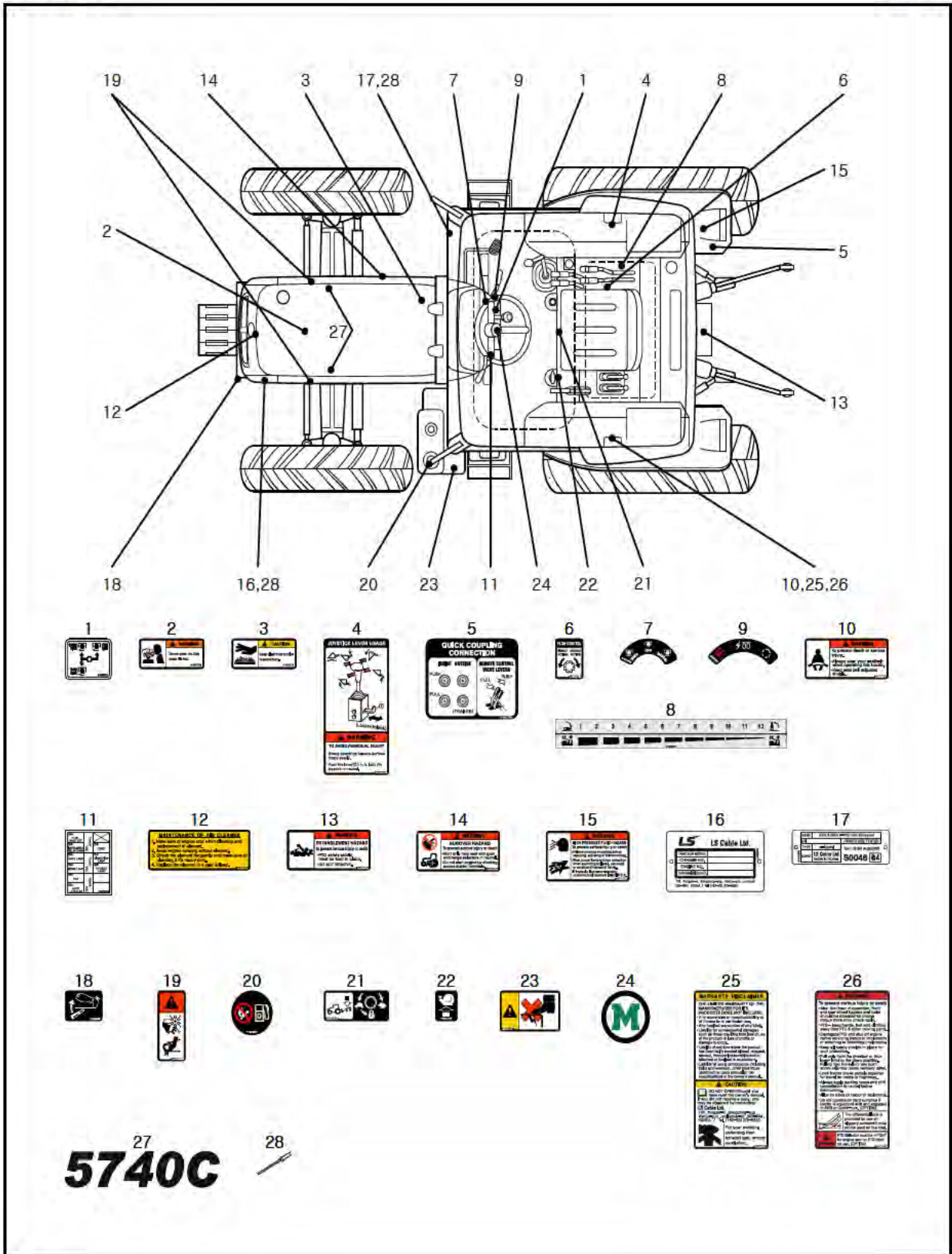
**FIG. 12-1A AG (F)**

NO.	PART NO.	PART NAME & DESCRIPTION	QTY	APP. NO	REM.
1	A1980731	DECAL, PTO CHANGE	1		
2	A1980734	DECAL, WARNING (ENG)	1		
3	A1980736	DECAL, CAUTION (ENG)	1		
4	A1980779	DECAL, JOYSTICK (ENG)	1		
5	A1980783	DECAL, AUX. CONTROL (ENG)	1		
6	A1980794	DECAL, S/DOUBLE ACTING (ENG)	1		
7	A1980819	DECAL, PTO SELECTOR	1		
8	A1980821	DECAL, HYD. POSITION & DRAFT	1		
9	A1980826	DECAL, KEY SWITCH	1		
10	A1980891	DECAL, ROPS WARNING (ENG)	1		
11	A1980914	DECAL, FUSE	1		
12	A1980932	DECAL, AIR CLEANER	1		
13	A1980935	DECAL, PTO WARNING	1		
14	A1980936	DECAL, START WARNING	1		
15	A1980937	DECAL, HYD. OIL WARNING	1		
16	A1980940	DECAL, FRAME SEATBELT WARNING	1		
17	A1980941	DECAL, ROPS WARNING	1		
18	A1980943	NAME PLATE (ENG)	1		
19	A1980981	NAME PLATE, ROPS (N55RF)	1		
20	A1980985	DECAL, HOOD OPEN	1		
21	A1980987	DECAL, DIFF. LOCK	1		
22	A1980999	DECAL, FAN/BELT WARNING	2		
23	A1981000	DECAL, FUEL	1		
24	A1981008	DECAL, FLOW CONTROL (55)	1		
25	A1981010	DECAL, CREEPER (55)	1		
26	A1981011	DECAL, FUEL TANK CAUTION	1		
27	A1981038	DECAL, MONTANA EMBLEM (HANDLE)	1		
28	A1981075	DECAL, WARRANTY	1		
29	A1981076	DECAL, DRIVER CAUTION (E)	1		
30	A1981156	DECAL, MODEL NAME (5740)	2		
31	S466321010	RIVET, BLIND	4		

# DECAL

FIG. 12-1B

G. 980



# DECAL

**FIG. 12-1B AG (C)**

NO.	PART NO.	PART NAME & DESCRIPTION	QTY	APP. NO	REM.
1	A1980731	DECAL, PTO CHANGE	1		
2	A1980734	DECAL, WARNING	1		
3	A1980736	DECAL, CAUTION	1		
4	A1980779	DECAL, JOYSTICK	1		
5	A1980783	DECAL, AUX. CONTROL	1		
6	A1980794	DECAL, S/DOUBLE ACTING	1		
7	A1980819	DECAL, PTO SELECTOR	1		
8	A1980821	DECAL, HYD. POSITION & DRAFT	1		
9	A1980826	DECAL, KEY SWITCH	1		
10	A1980872	DECAL, CABIN SEATBELT WARNING	1		
11	A1980914	DECAL, FUSE	1		
12	A1980932	DECAL, AIR CLEANER	1		
13	A1980935	DECAL, PTO WARNING	1		
14	A1980936	DECAL, START WARNING	1		
15	A1980937	DECAL, HYD. OIL WARNING	1		
16	A1980943	NAME PLATE (ENG)	1		
17	A1980982	NAME PLATE, CABIN (N55CA)	1		
18	A1980985	DECAL, HOOD OPEN	1		
19	A1980999	DECAL, FAN/BELT WARNING	2		
20	A1981000	DECAL, FUEL	1		
21	A1981008	DECAL, FLOW CONTROL	1		
22	A1981010	DECAL, CREEPER (55)	1		
23	A1981011	DECAL, FUEL TANK CAUTION	1		
24	A1981038	DECAL, MONTANA EMBLEM (HANDLE)	1		
25	A1981075	DECAL, WARRANTY	1		
26	A1981076	DECAL, DRIVER CAUTION (E)	1		
27	A1981157	DECAL, MODEL NAME (5740C)	2		
28	S466321010	RIVET, BLIND	4		

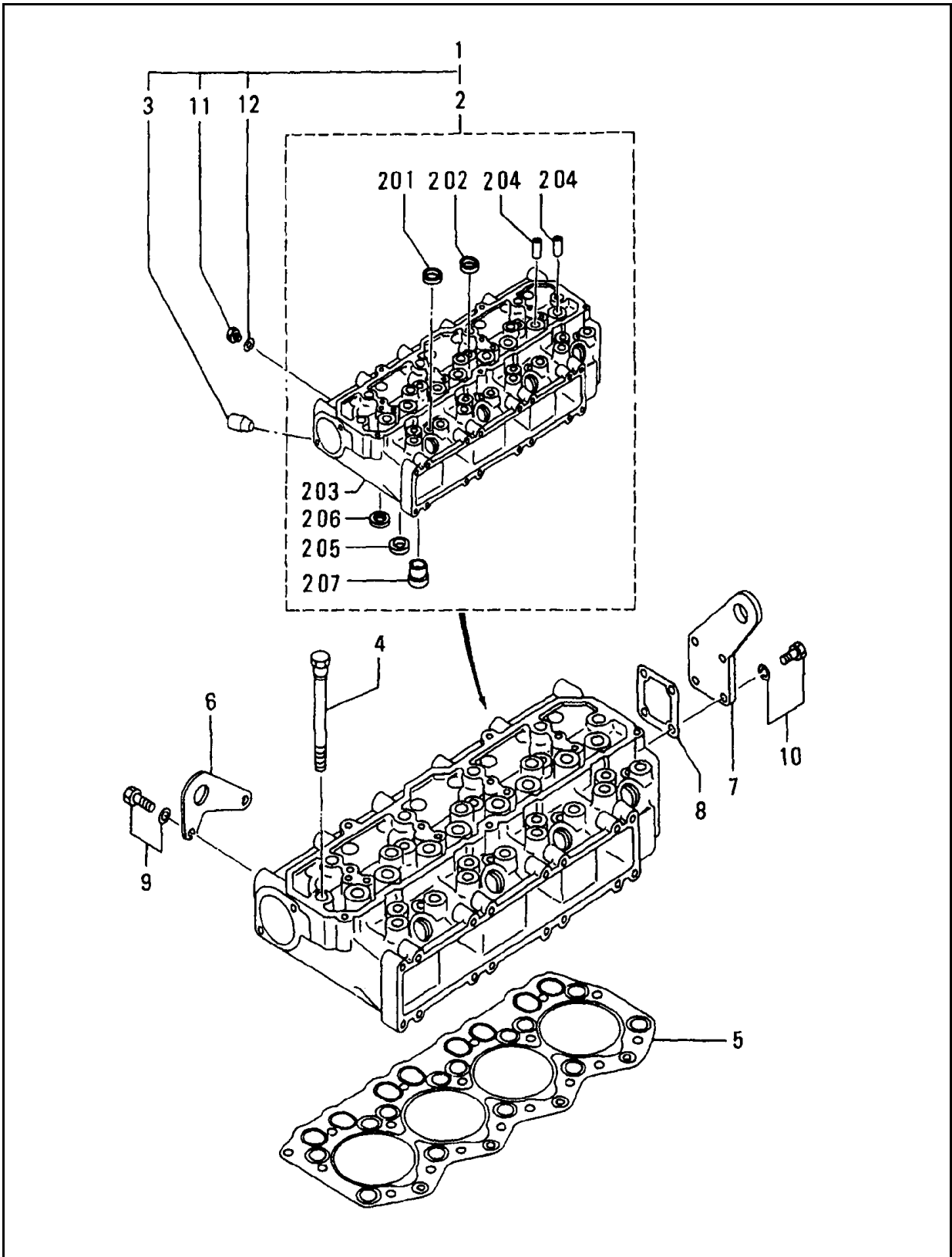
# ENGINE PART

---

CYLINDER HEAD -----	FIG. 01
VALVE MECHANISM -----	FIG. 04-01
ROCKER COVER & CAMSHAFT -----	FIG. 04-02
CRANKCASE (PART-1) -----	FIG. 07-01
CRANKCASE (PART-2) -----	FIG. 07-02
TIMING GEAR CASE & TIMING GEAR -----	FIG. 11
OIL PAN & OIL LEVEL GAUGE -----	FIG. 13
MAIN MOVING PARTS -----	FIG. 17
SIDE POWER TAKE-OFF -----	FIG. 25
BALANCER -----	FIG. 29
INLET MANIFOLD -----	FIG. 30
OIL SYSTEM -----	FIG. 36
COOLING SYSTEM -----	FIG. 46
FUEL SYSTEM -----	FIG. 61-01
NOZZLE -----	FIG. 61-02
FUEL FILTER -----	FIG. 62
ELECTRIC PARTS -----	FIG. 66-01
STARTER (12V-2.2KW) -----	FIG. 66-02
ALTERNATOR(12V-50A) -----	FIG. 68
ACCESSORY -----	FIG. 92
OVERHAUL GASKET KIT -----	FIG. 94

# CYLINDER HEAD

FIG. 01



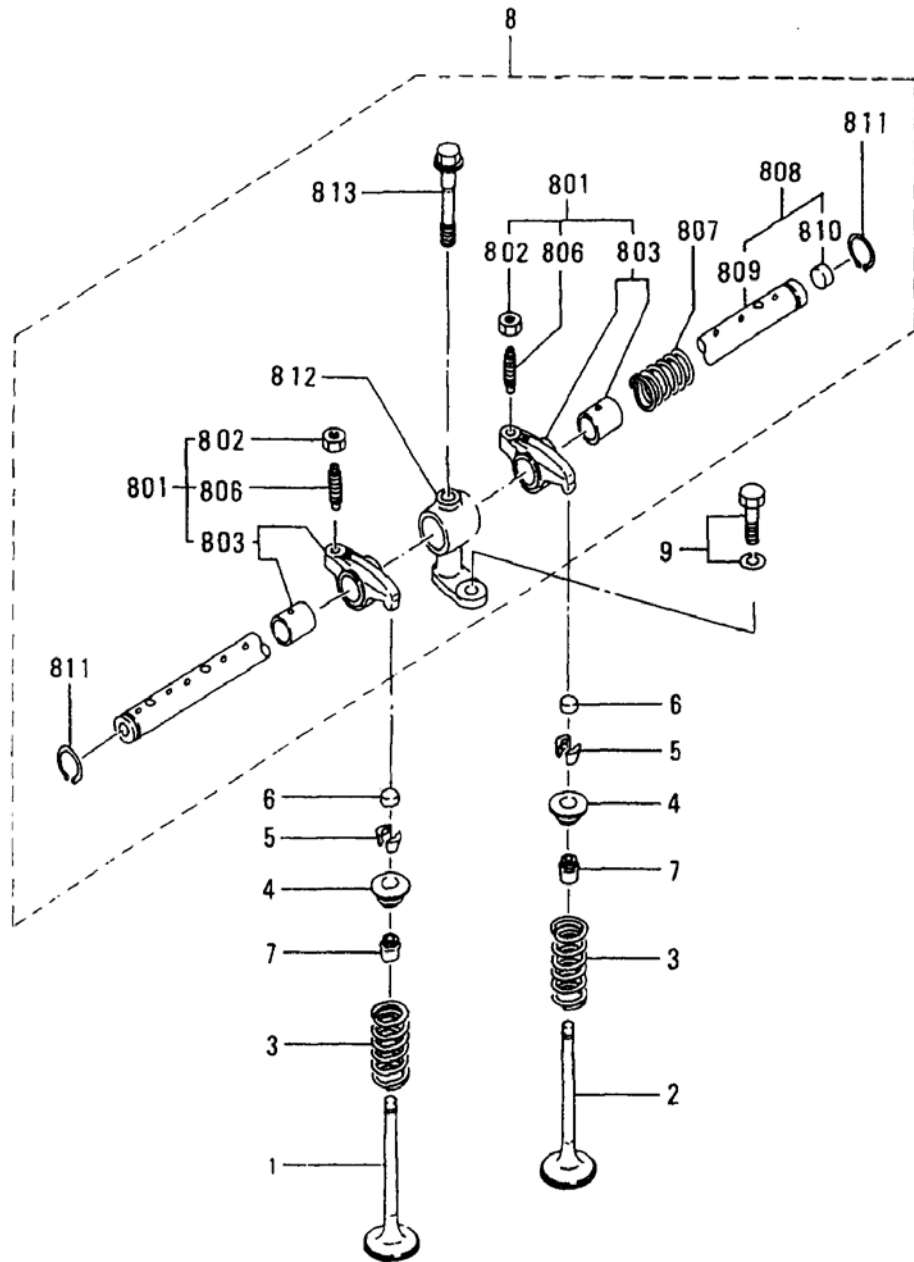
# CYLINDER HEAD

**FIG. 01**

NO.	PART NO.	PART NAME & DESCRIPTION	QTY	APP. NO	REM.
1	32A01-01020	HEAD ASSY, CYLINDER	1		
2	*	HEAD SUB ASSY, CYLINDER	1		
201	MF665536	CAP, SEALING	8		
202	MF665538	CAP, SEALING	7		
203	*	CYLINDER HEAD	1		
204	32A01-01600	GUIDE, VALVE	8		
205	32A01-03100	SEAT, VALVE INLET	4		
206	32A01-03200	SEAT, VALVE EXHAUST	4		
207	32A03-01100	JET, COMBUSTION	4		
3	*	PLUG	1		
4	32A01-01400	BOLT, CYLINDER HEAD	17		
5	32A01-02203	GASKET, CYL. HEAD	1		
6	32A01-02700	EYE, LIFTING FRONT	1		
7	32A01-02800	EYE, LIFTING REAR	1		
8	32A01-02500	GASKET, HEAD REAR	1		
9	F1805-08016	BOLT, W/WASHER	2		
10	F1805-08020	BOLT, W/WASHER	4		
11	MM316248	PLUG, DRAIN	1		
12	30636-25901	GASKET	1		

# VALVE MECHANISM

FIG. 04-01



# VALVE MECHANISM

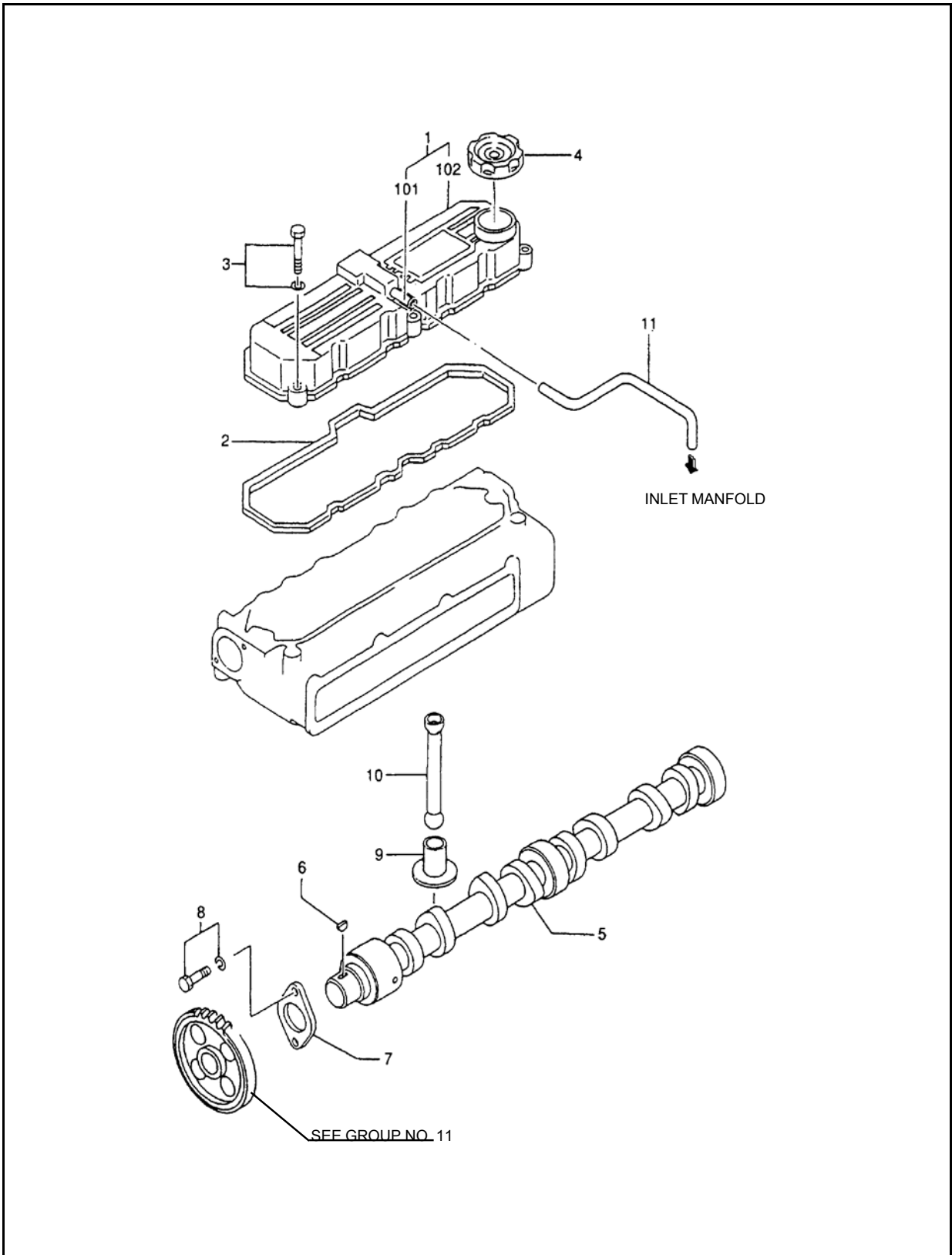
**FIG. 04-01**

NO.	PART NO.	PART NAME & DESCRIPTION	QTY	APP. NO	REM.
1	32A04-10100	VALVE, INLET	4		
2	32A04-11100	VALVE, EXHAUST	4		
3	30604-21401	SPRING	8		
4	30604-31601	RETAINER, UPPER	16		
5	34404-02901	COTTER, VALVE	8		
6	31304-11700	CAP	8		
7	32A04-02801	SEAL, VALVE STEM	8		
8	32A04-00020	ROCKER & SHAFT ASSY	1		
801	32A04-02010	ROCKER ASSY	8		
802	F2325-08000	NUT, JAM	8		
803	*	ROCKER & BUSHING	8		
806	32A04-02400	SCREW, ROCKER	8		
807	32A04-02500	SPRING, ROCKER	3		
808	32A04-04010	SHAFT ASSY, ROCKER	1		
809	*	SHAFT, ROCKER	1		
810	*	PLUG, ROCKER SHAFT	2		
811	32A04-04300	RING, SNAP	2		
812	32A04-04700	BRACKET, ROCKER SHAFT	4		
813	32A04-04800	BOLT, ROCKER BRACKET	4		
9	F1805-08025	BOLT, W/WASHER	4		



# ROCKER COVER & CAMSHAFT

FIG. 04-02



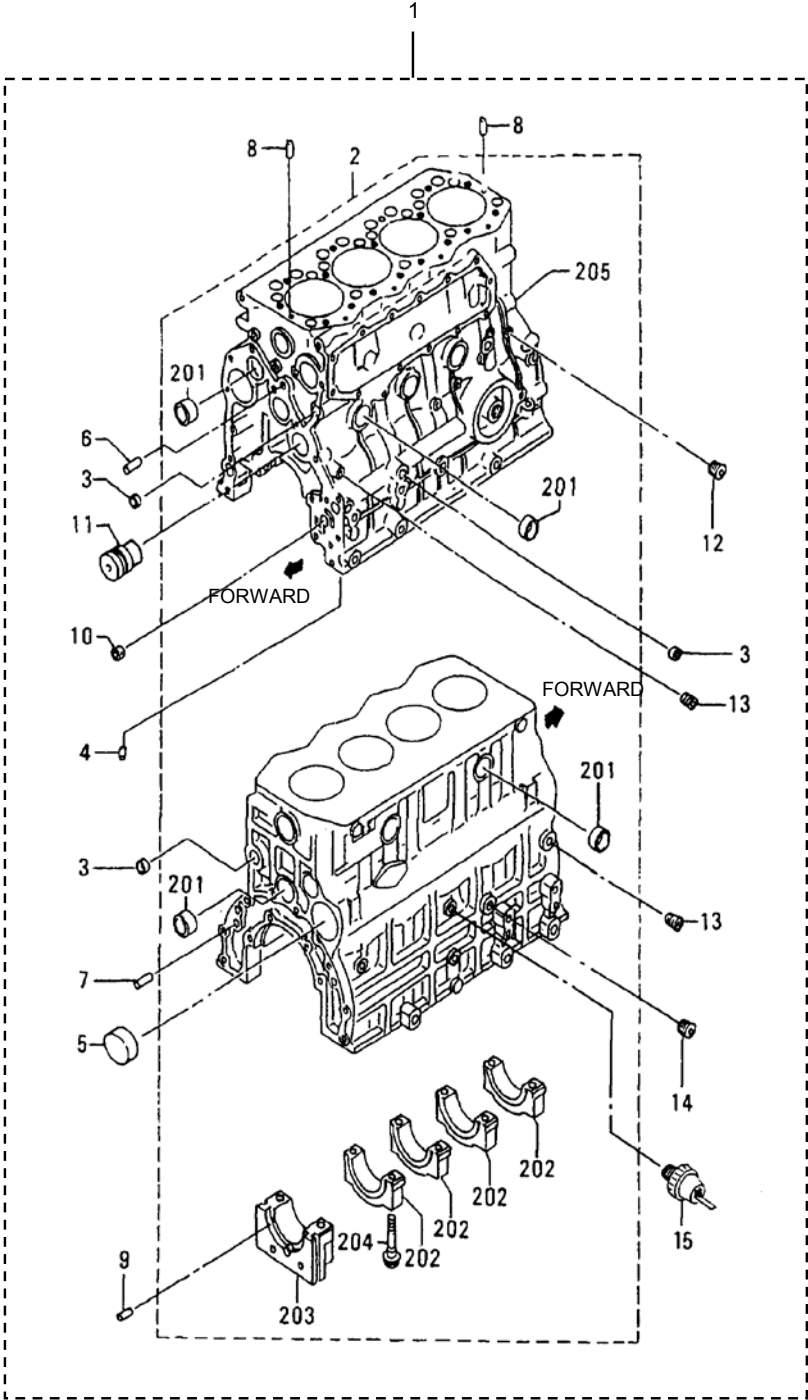
# ROCKER COVER & CAMSHAFT

**FIG. 04-02**

NO.	PART NO.	PART NAME & DESCRIPTION	QTY	APP. NO	REM.
1	32A04-13011	COVER ASSY, ROCKER	1		
101	*	PIPE	1		
102	*	COVER , ROCKER	1		
2	32A04-13200	GASKET, ROCKER COVER	1		
3	F1805-08040	BOLT, W/WASHER	5		
4	32C42-09900	CAP, OIL FILTER	1		
5	32A05-00101	CAMSHAFT	1		
6	F2870-07022	KEY, WOODRUFF	1		
7	30405-31402	PLATE, THRUST	1		
8	F1805-08016	BOLT, W/WASHER	2		
9	32A05-02101	TAPPET	8		
10	32A05-13100	ROD, PUSH	8		
11	MM433787	HOSE, BREATHER	1		

# CRANKCASE (PART-1)

FIG. 07-01



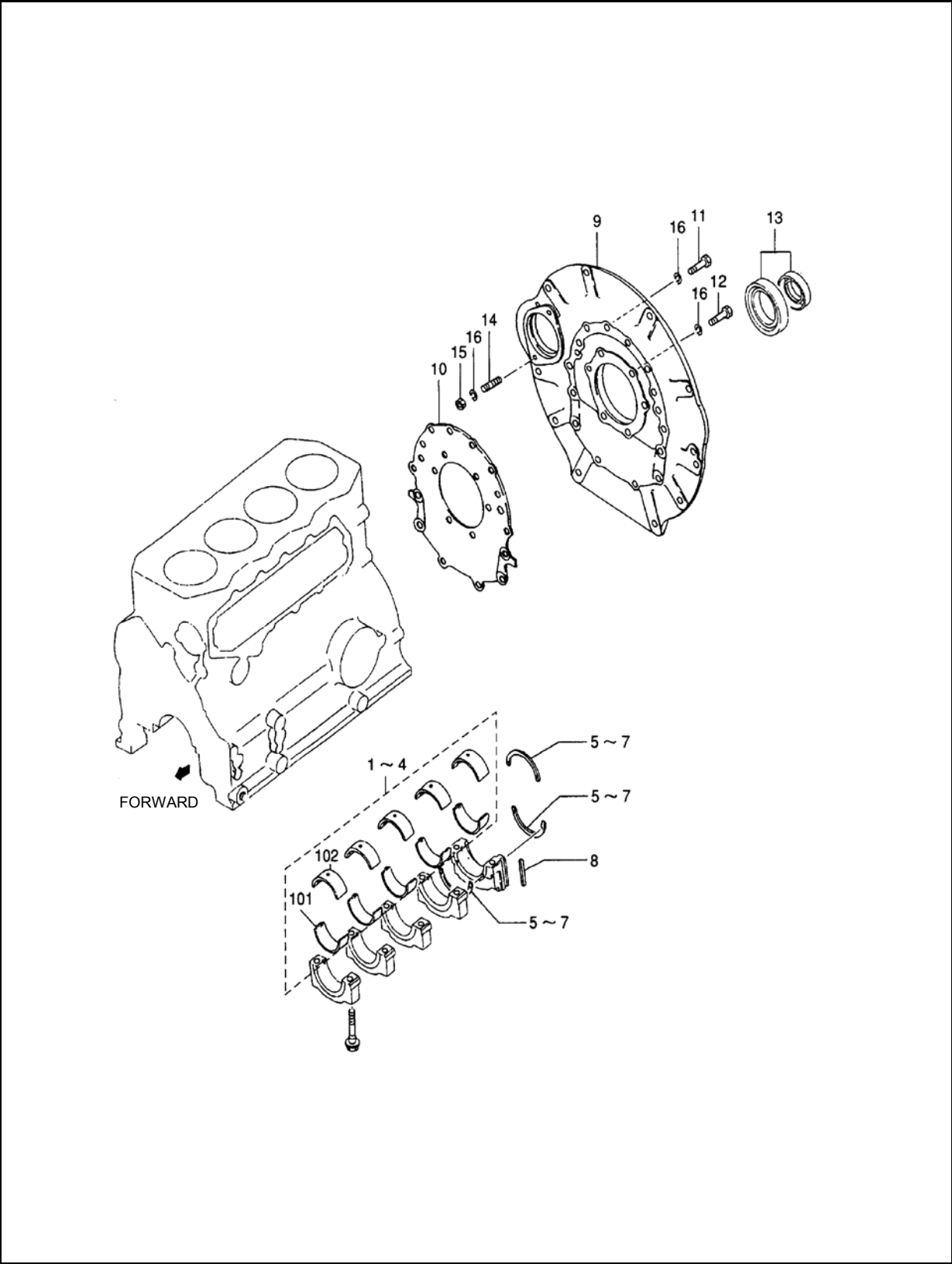
# CRANKCASE (PART-1)

**FIG. 07-01**

NO.	PART NO.	PART NAME & DESCRIPTION	QTY	APP. NO	REM.
1	32A07-01044	CRANKCASE ASSY	1		
2	*	CRANKCASE SUB ASSY	1		
201	04826-23500	CAP, SEALING	10		
202	*	CAP, METAL	4		
203	*	CAP, METAL RE	1		
204	32A07-02600	BOLT, BEARING CAP	10		
205	*	CRANKCASE	1		
3	04826-21800	CAP, SEALING	5		
4	*	PLUG	2		
5	34307-02100	PLUG, CAM	1		
6	32A07-01500	PIN, DOWEL	2		
7	F2846-12000	PIN, DOWEL	2		
8	F2846-05000	PIN, DOWEL	2		
9	F2850-04008	PIN, SPRING	6		
10	05605-01410	BUSHING	1		
11	32A23-03500	SHAFT, IDLER	1		
12	MD000269	PLUG, TAPER	1		
13	MS661140	PLUG, TAPER	4		
14	MS661142	PLUG, TAPER	1		
15	MM130066	SWITCH, OIL PRESSURE	1		

# CRANKCASE (PART-2)

FIG. 07-02



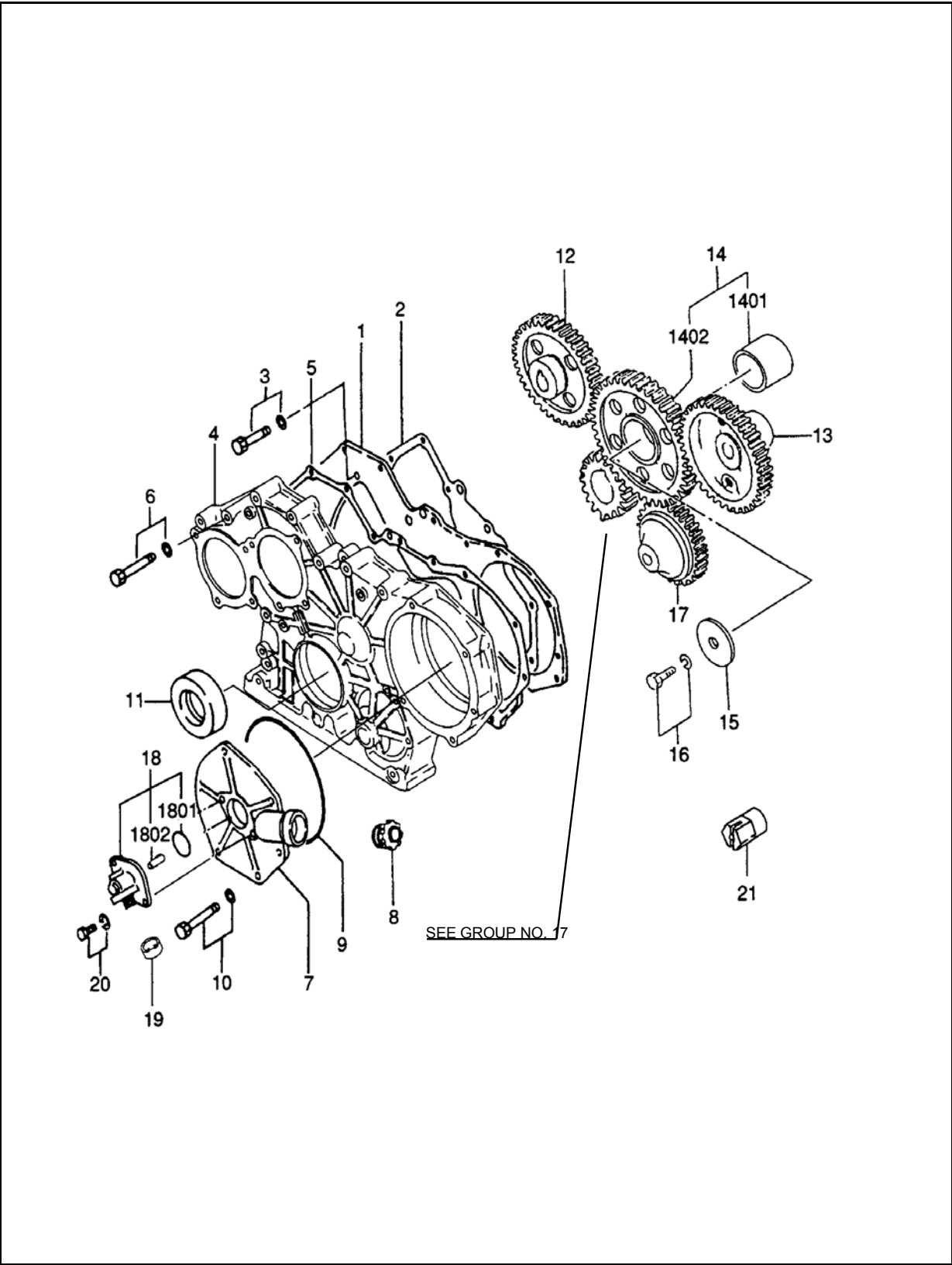
# CRANKCASE (PART-2)

**FIG. 07-02**

NO.	PART NO.	PART NAME & DESCRIPTION		QTY	APP. NO	REM.
1	32A09-00010	METAL SET, MAIN	STD	1		
101	*	METAL, MAIN LOWER		1		
102	*	METAL, MAIN UPPER		1		
2	32A09-00020	METAL SET, MAIN	U.S 0.25	1		
3	32A09-00030	METAL SET, MAIN	U.S 0.50	1		
4	32A09-00040	METAL SET, MAIN	U.S 0.75	1		
5	32B09-08101	PLATE, THRUST C/S	STD	3		
6	32B09-08201	PLATE, THRUST C/S	O.S 0.15	3		
7	32B09-08301	PLATE, THRUST C/S	O.S 0.30	3		
8	32A07-11700	SEAL, SIDE		2		
9	32A07-16300	PLATE, REAR		1		
10	32A07-14400	GASKET, REAR		1		
11	F1035-10025	BOLT		12		
12	F1035-10030	BOLT		8		
13	34407-11090	SEAL ASSY, OIL		1		
14	F1450-10025	STUD		2		
15	F2300-10000	NUT		2		
16	F2515-10000	WASHER, SPRING		22		

# TIMING GEAR CASE & TIMING GEAR

FIG. 11



# TIMING GEAR CASE & TIMING GEAR

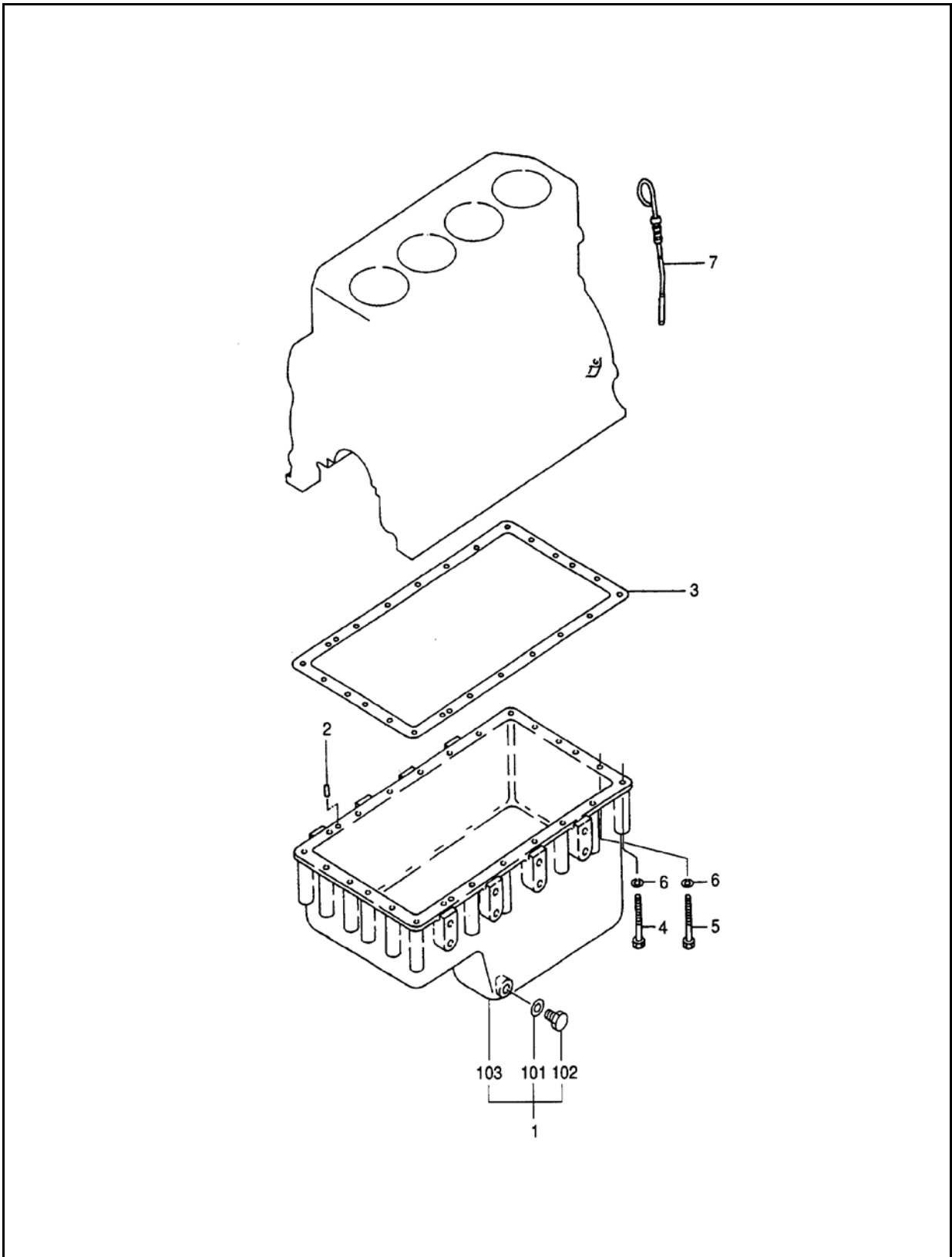
**FIG. 11**

NO.	PART NO.	PART NAME & DESCRIPTION		QTY	APP. NO	REM.
1	32A11-33200	PLATE, FRONT		1		
2	32A07-04100	GASKET, FRONT PLATE		1		
3	F1805-08016	BOLT, W/WASHER		5		
4	32A11-32100	CASE, TIMING GEAR		1		
5	32A11-22201	GASKET, GEAR		1		
6	F1805-08055	BOLT, W/WASHER		12		
7	32A11-11200	COVER, GEAR CASE		1		
8	34442-05200	CAP, FILLER		1		
9	06016-13140	O-RING		1		
10	F1805-08065	BOLT, W/WASHER		8		
11	F3015-07023	SEAL, OIL		1		
12	32A23-01200	GEAR, CAMSHAFT	Z=52	1		
13	32A23-32200	GEAR, INJ. PUMP	Z=52	1		
14	32A23-03030	IDLER ASSY, GEAR	Z=57	1		
1401	*	BUSHING		1		
1402	*	GEAR, IDLER		1		
15	34323-00801	PLATE, THRUST		1		
16	F1805-10020	BOLT, W/WASHER		1		
17	32A35-22201	GEAR, OIL PUMP	Z=36	1		
18	32A25-00021	TACHO DRIVE ASSY		1		
1801	MM433993	O-RING		1		
1802	32A25-01300	PIN, JOINT		1		
19	MM409980	PLUG, SHIPPING		1		
20	F1805-08016	BOLT, W/WASHER		2		
21	32A61-09200	NUT, INJ. PUMP		1		



# OIL PAN & OIL LEVEL GAUGE

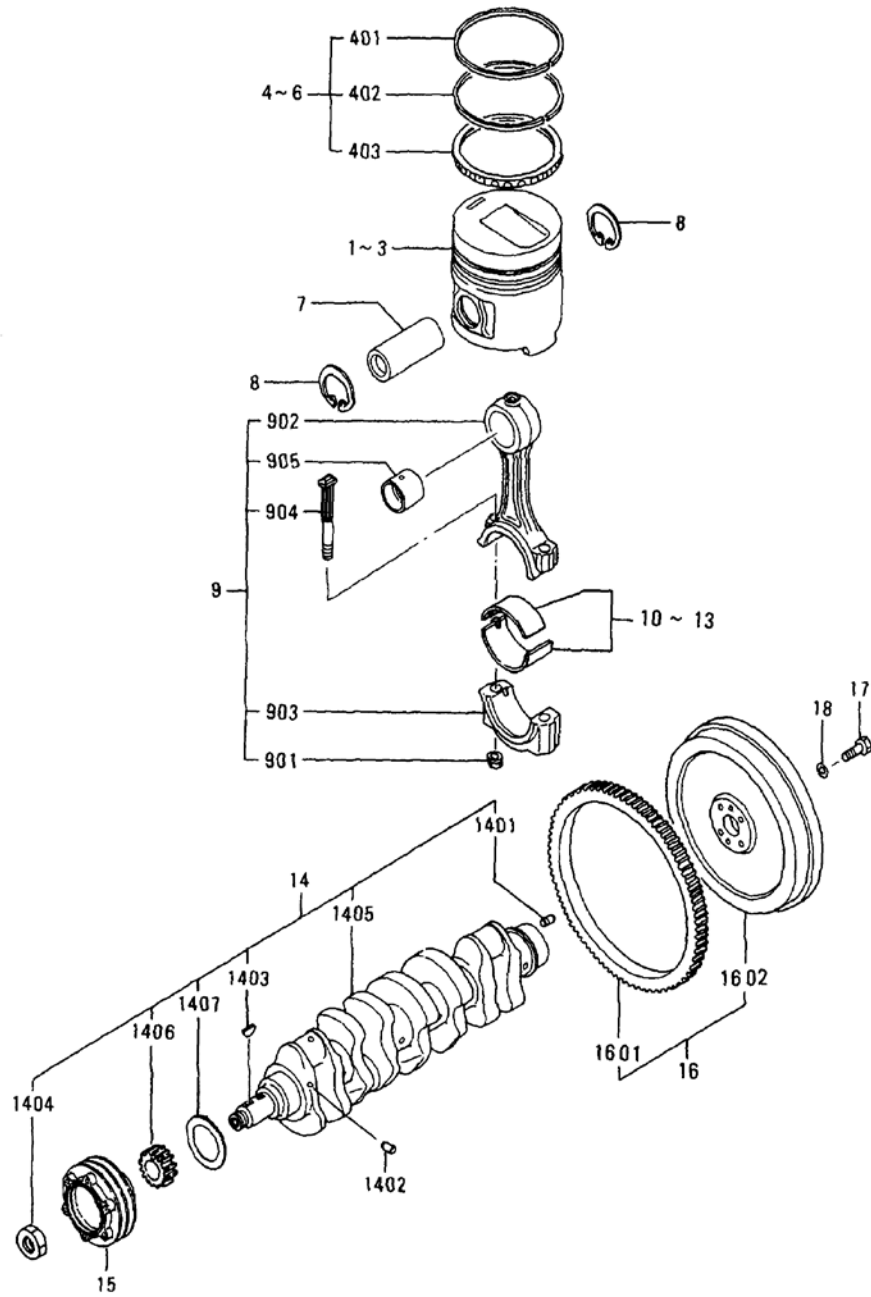
FIG. 13





# MAIN MOVING PARTS

FIG. 17



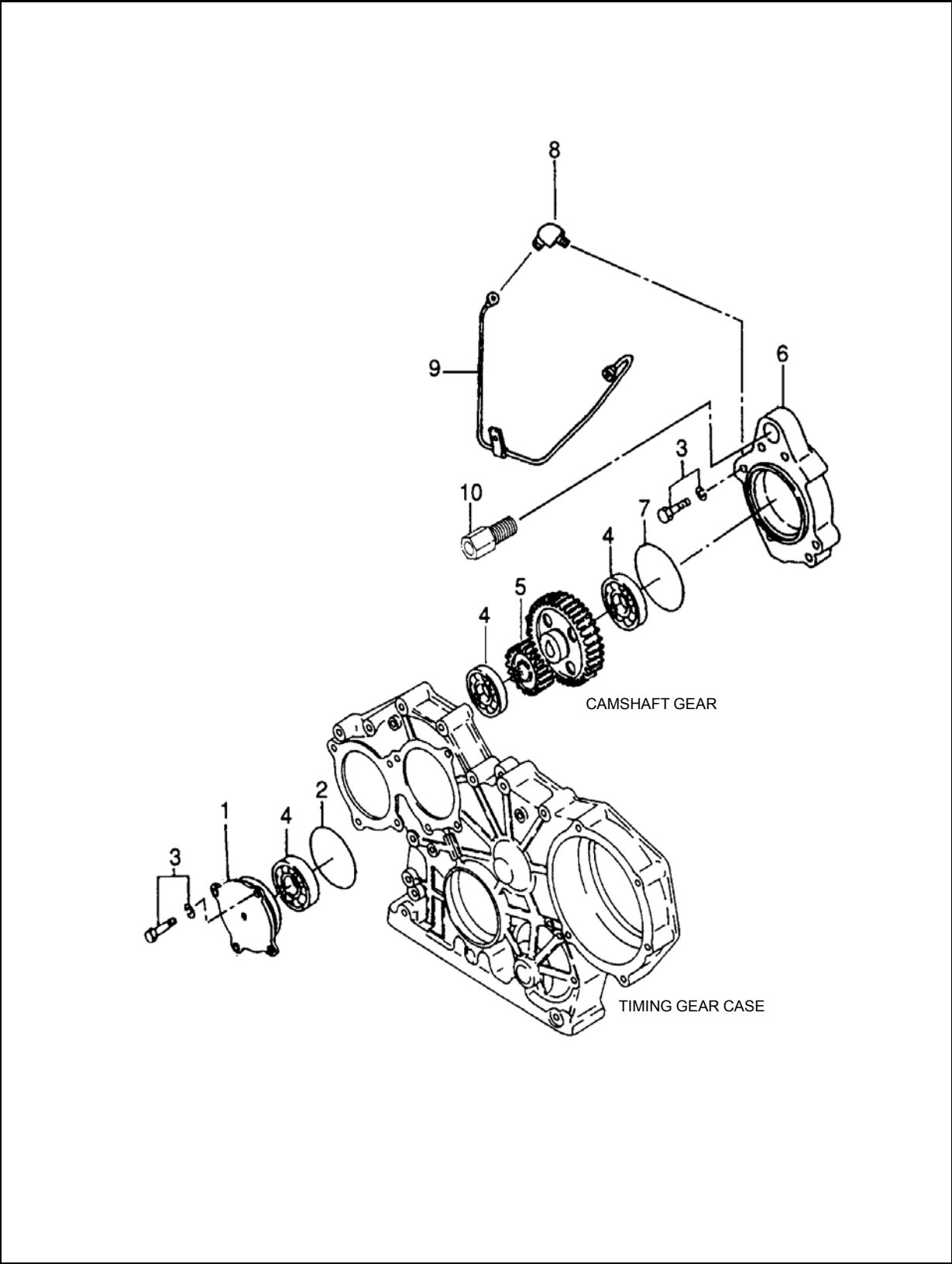
# MAIN MOVING PARTS

FIG. 17

NO.	PART NO.	PART NAME & DESCRIPTION		QTY	APP. NO	REM.
1	32A17-00100	PISTON	STD	4		
	32A17-00200	PISTON	O.S 0.25	4		
	32A17-00300	PISTON	O.S 0.50	4		
	34417-02012	RING SET, PISTON	STD	4		
101	*	RING, NO.1		4		
102	*	RING, NO.2		4		
103	*	RING, OIL		4		
5	34417-02022	RING SET, PISTON	O.S 0.25	4		
6	34417-02032	RING SET, PISTON	O.S 0.50	4		
7	32A17-08200	PIN, PISTON		4		
8	F3202-03000	RING, SNAP		8		
9	32A19-00011	ROD ASSY, CONNECTING		4		
901	30619-10501	NUT		8		
902	*	CONNECTIN - ROD		4		
903	*	CAP, CONNECTIN ROD		4		
904	32A19-00400	BOLT, CONNECTING-ROD		8		
905	32A19-00500	BUSHING, CON-ROD		4		
10	32A19-09010	METAL SET, CON-ROD	STD	1		
11	32A19-09020	METAL SET, CON-ROD	U.S 0.25	1		
12	32A19-09030	METAL SET, CON-ROD	U.S 0.50	1		
13	32A19-09040	METAL SET, CON-ROD	U.S 0.75	1		
14	32A20-10031	CRANKSHAFT ASSY		1		
1401	F2846-10000	PIN, DOWEL		2		
1402	F2850-04008	PIN, SPRING		1		
1403	F2870-07022	KEY, WOODRUFF		2		
1404	32A20-02900	NUT, CRANKSHAFT		1		
1405	*	CRANKSHAFT		1		
1406	*	GEAR, CRANKSHAFT		1		
1407	*	GEAR, DRIVE BALANCER		1		
15	32A20-02201	PULLEY, CRANKSHAFT		1		
16	32A21-11030	FLYWHEEL ASSY		1		
1601	32A11-00900	GEAR, RING		1		
1602	*	FLYWHEEL		1		
17	F1035-12035	BOLT		4		
18	F2515-12000	WASHER, SPRING		4		

# SIDE POWER TAKE-OFF

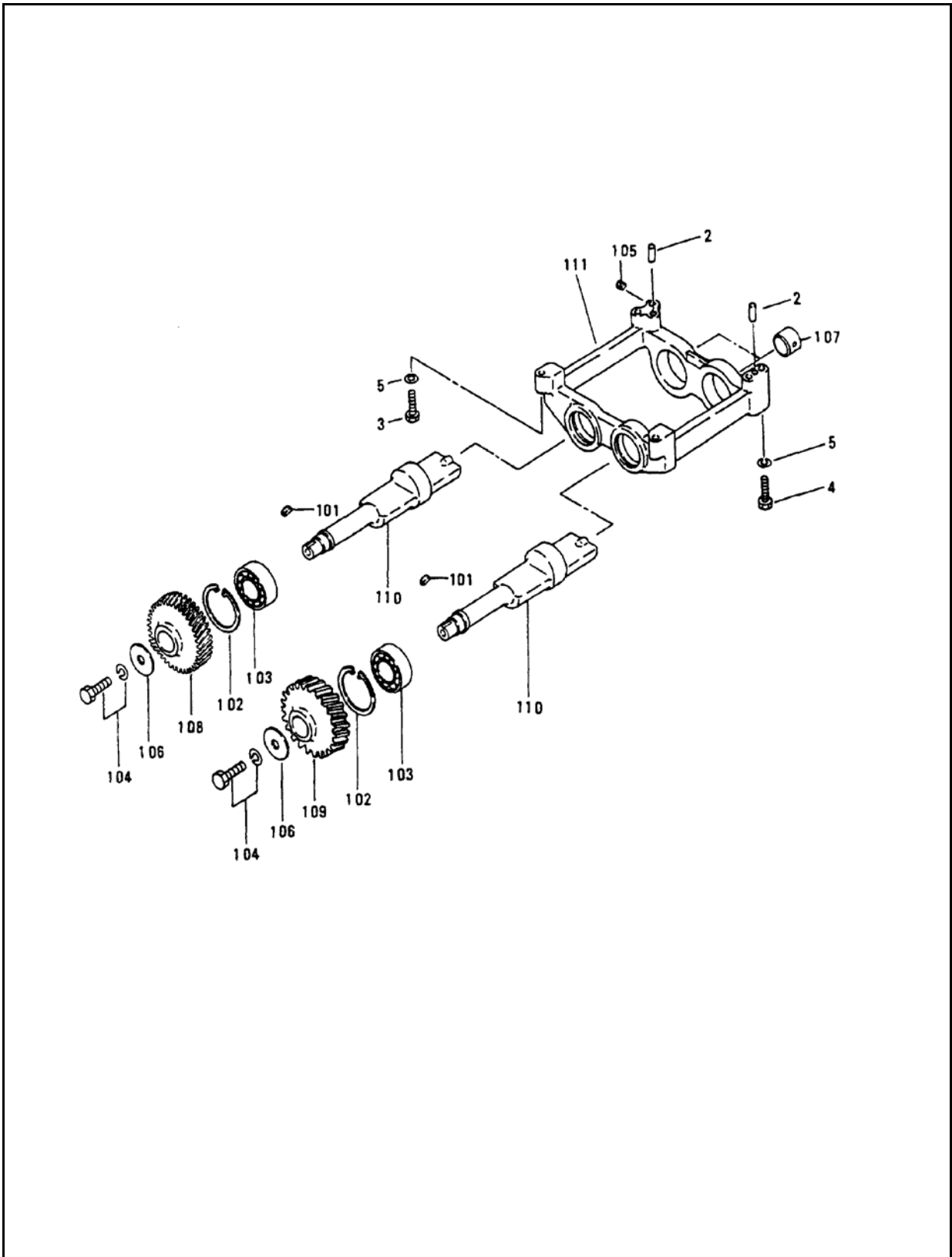
FIG. 25





# BALANCER

FIG. 29

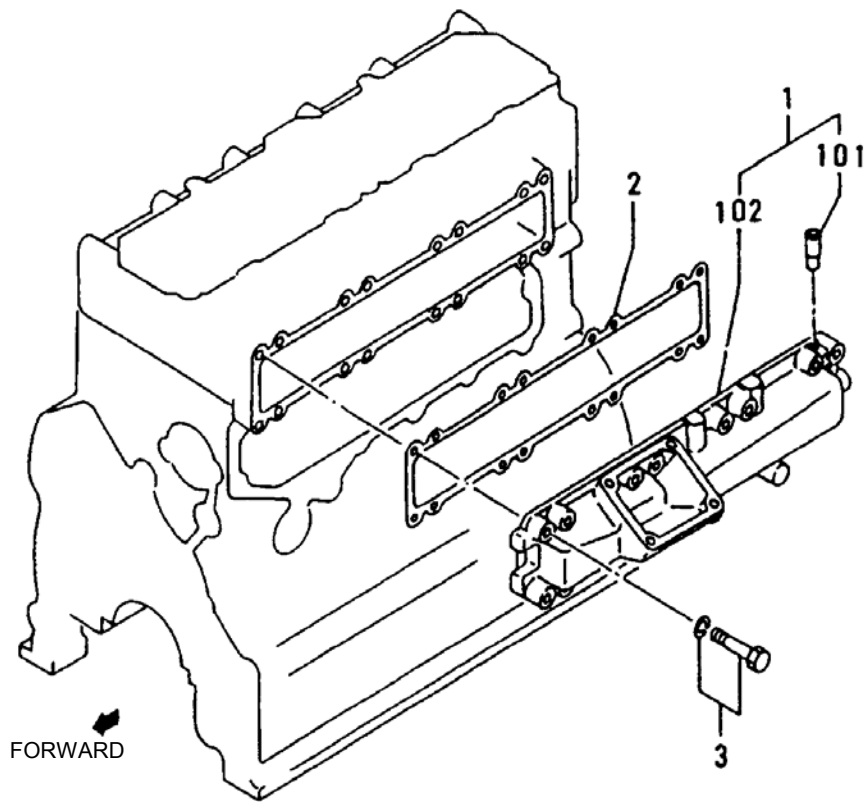






# INLET MANIFOLD

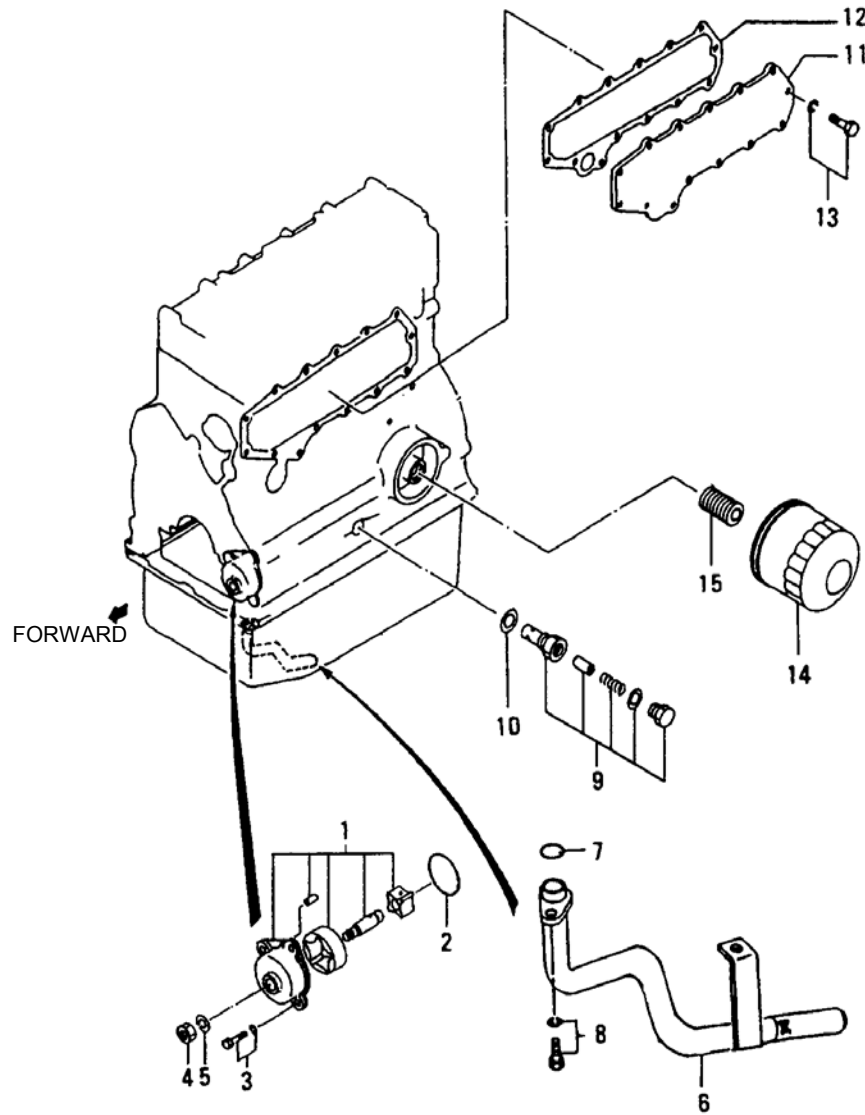
FIG. 30





# OIL SYSTEM

FIG. 36



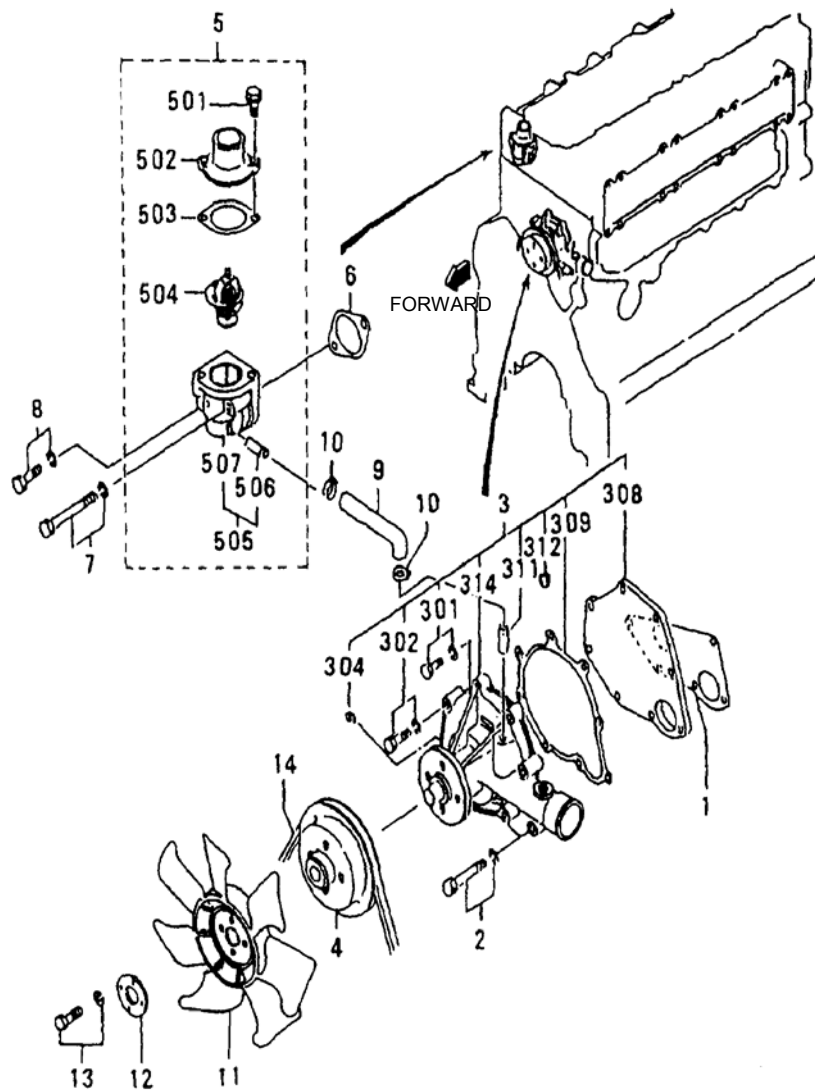
# OIL SYSTEM

**FIG. 36**

NO.	PART NO.	PART NAME & DESCRIPTION	QTY	APP. NO	REM.
1	32A35-10011	PUMP ASSY, OIL	1		
2	06016-13060	O-RING	1		
3	F1805-08020	BOLT, W/WASHER	4		
4	F2320-10000	NUT, JAM	1		
5	F2515-10000	WASHER, SPRING	1		
6	32A35-17300	PIPE, OIL	1		
7	F3150-02000	O-RING	1		
8	F1805-08016	BOLT, W/WASHER	2		
9	32A36-05011	VALVE ASSY, RELIEF	1		
10	F4202-22000	GASKET	1		
11	32A39-01100	COVER, SIDE	1		
12	32A39-01200	GASKET, SIDE COVER	1		
13	F1805-08016	BOLT, W/WASHER	14		
14	32A40-00100	CARTRIDGE	1		
15	32A40-01100	UNION, OIL FILTER	1		

# COOLING SYSTEM

FIG. 46



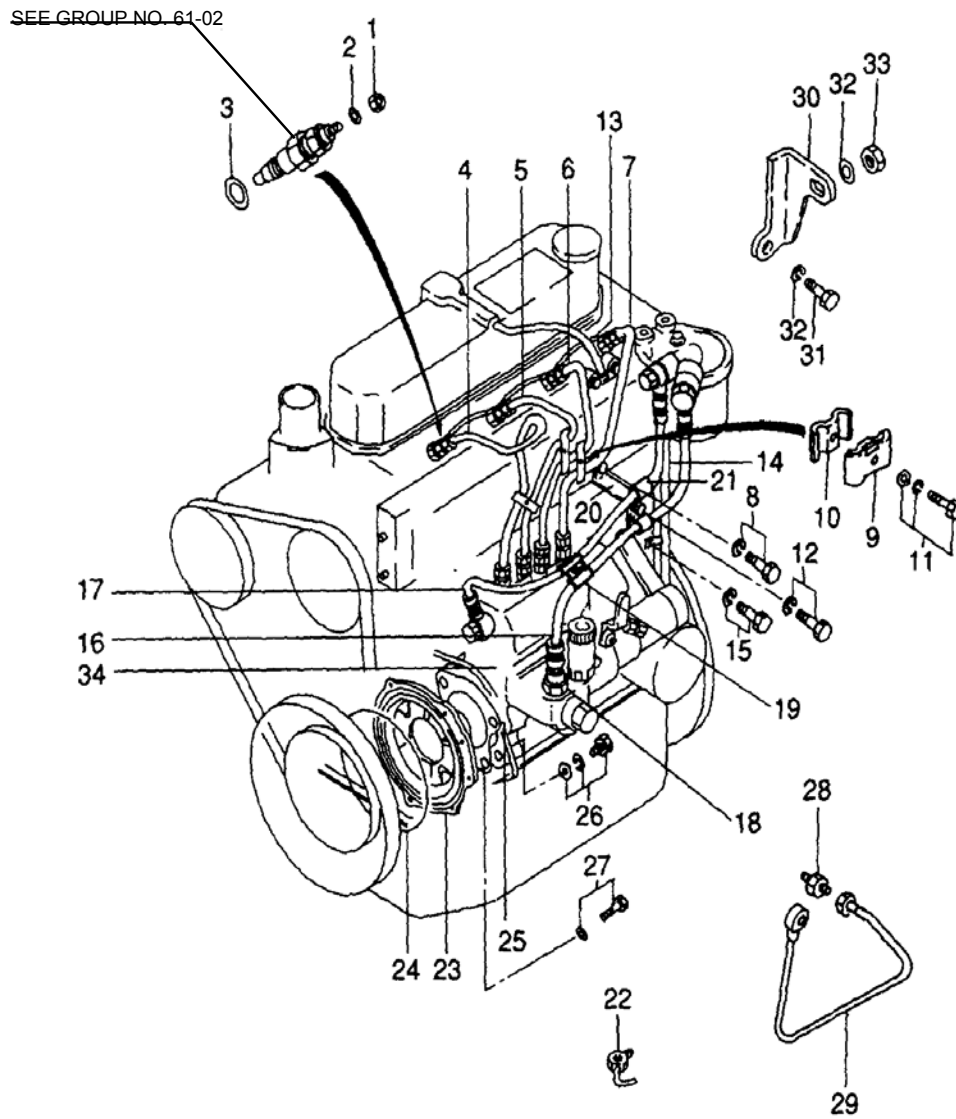
# COOLING SYSTEM

**FIG. 46**

NO.	PART NO.	PART NAME & DESCRIPTION	QTY	APP. NO	REM.
1	32A45-00500	GASKET, WATER	1		
2	F1805-08045	BOLT, W/WASHER	5		
3	32B45-10010	PUMP ASSY, WATER	1		
301	F1805-08025	BOLT, W/WASHER	2		
302	F1805-08035	BOLT, W/WASHER	1		
304	F3304-10000	NIPPLE, GREASE	1		
308	32A45-00300	COVER, WATER PUMP	1		
309	32A45-00400	GASKET, PUMP COVER	1		
311	*	PIPE, WATER PUMP	1		
312	*	PLUG, TAPER	1		
314	*	CASE, WATER PUMP	1		
4	32B45-02100	PULLEY, WATER PUMP	1		
5	32A46-10020	THERMOSTAT ASSY	1		
501	MF140227	BOLT, FLANGE	2		
502	32A46-01101	COVER, THERMOSTAT	1		
503	32A46-01200	GASKET, THERMOSTAT	1		
504	32A46-02100	THERMOSTAT	1		
505	32A46-10010	CASE ASSY, THERMOSTAT	1		
506	*	PIPE, THERMO CASE	1		
507	*	CASE, THERMOSTAT	1		
6	34446-05300	GASKET	1		
7	F1805-08075	BOLT, W/WASHER	1		
8	F1805-08045	BOLT, W/WASHER	1		
9	32A46-00900	HOSE, BY-PASS	1		
10	32A46-03100	CLAMP	2		
11	ME015735	FAN	1		
12	31345-12100	PLATE	1		
13	F1805-08025	BOLT, W/WASHER	4		
14	05910-20045	BELT, RAW EDGE	1		

# FUEL SYSTEM

FIG. 61-01



# FUEL SYSTEM

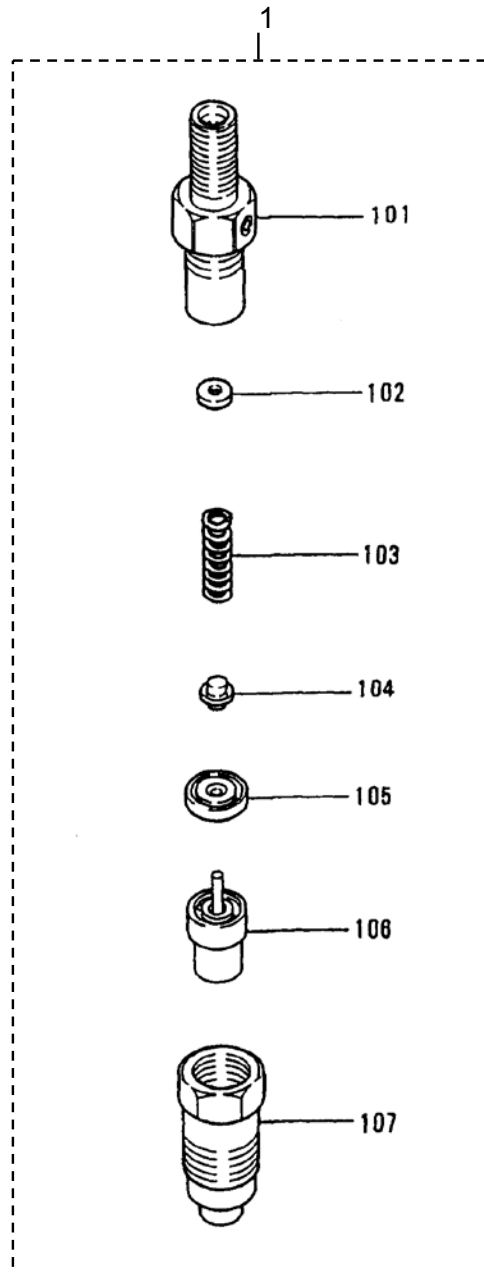
**FIG. 61-01**

NO.	PART NO.	PART NAME & DESCRIPTION	QTY	APP. NO	REM.
1	MD068353	NUT	4		
2	MD068355	GASKET, FUEL RETURN	4		
3	MD070717	GASKET, HOLDER	4		
4	32A61-22100	PIPE, INJECTION NO.1	1		
5	32A61-22200	PIPE, INJECTION NO.2	1		
6	32A61-22300	PIPE, INJECTION NO.3	1		
7	32A61-12400	PIPE, INJECTION NO.4	1		
8	F1805-08016	BOLT, W/WASHER	1		
9	MM430703	CLAMP (A)	3		
10	MM430614	CLAMP (B)	3		
11	F1825-06025	BOLT, W/WASHER	3		
12	F1805-06020	BOLT, W/WASHER	1		
13	32A61-04100	PIPE, FUEL LEAK OFF	1		
14	32A61-03700	PIPE, FUEL	1		
15	F1805-08012	BOLT, W/WASHER	1		
16	32C61-09600	HOSE, FUEL FEED	1		
17	32C61-09700	HOSE, FUEL FEED	1		
18	32B61-03900	CONNECTOR	1		
19	32A61-03901	CLAMP, PIPE	1		
20	32B61-15900	STAY, FUEL HOSE	1		
21	F2882-18000	CLIP	2		
22	30661-50802	JOINT, EYE	1		
23	32A61-01201	FLANGE, INJ. PUMP	1		
24	06016-13140	O-RING	1		
25	30661-51300	GASKET	1		
26	F2015-10035	BOLT, W/WASHER	4		
27	F1805-08020	BOLT, W/WASHER	1		
28	F4440-06300	CONNECTOR	1		
29	32A36-30100	PIPE, OIL	1		
30	32A61-00900	BRACKET, INJ. PUMP	1		
31	F1035-08020	BOLT	1		
32	F2515-08000	WASHER, SPRING	2		
33	F2300-08000	NUT	1		
34	32A65-02221	PUMP ASSY, INJ.	1		



# NOZZLE

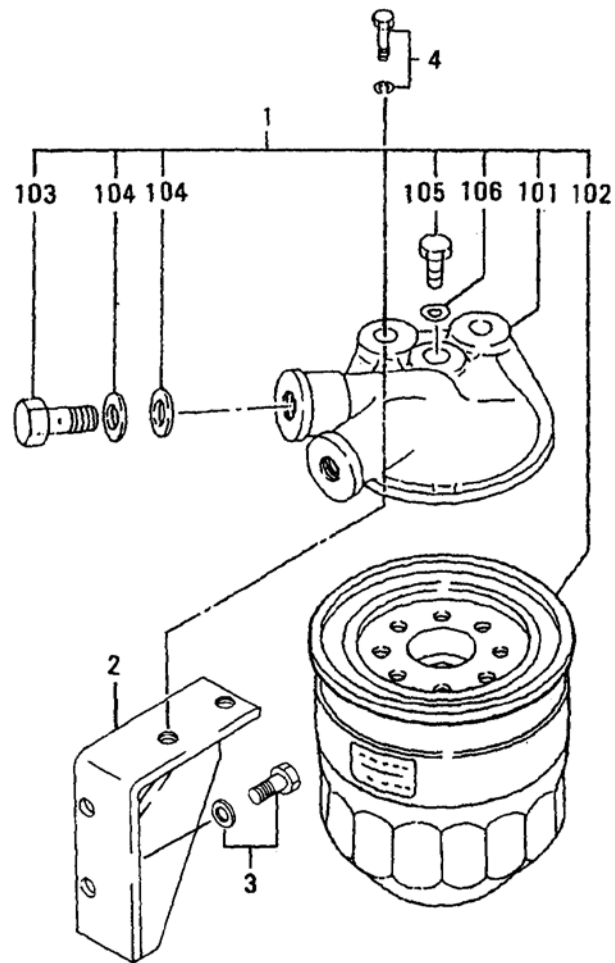
FIG. 61-02





# FUEL FILTER

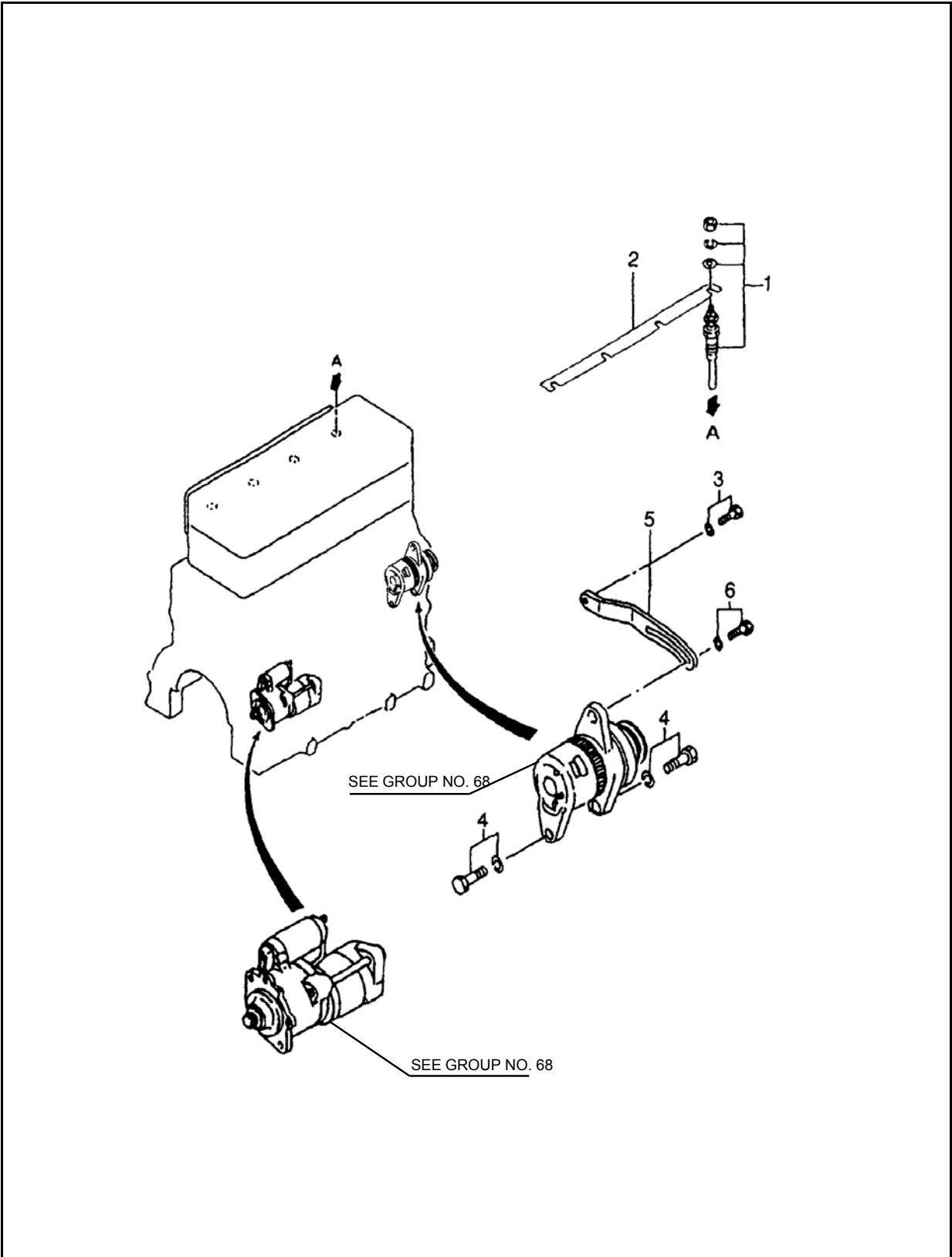
FIG. 62





# ELECTRIC PARTS

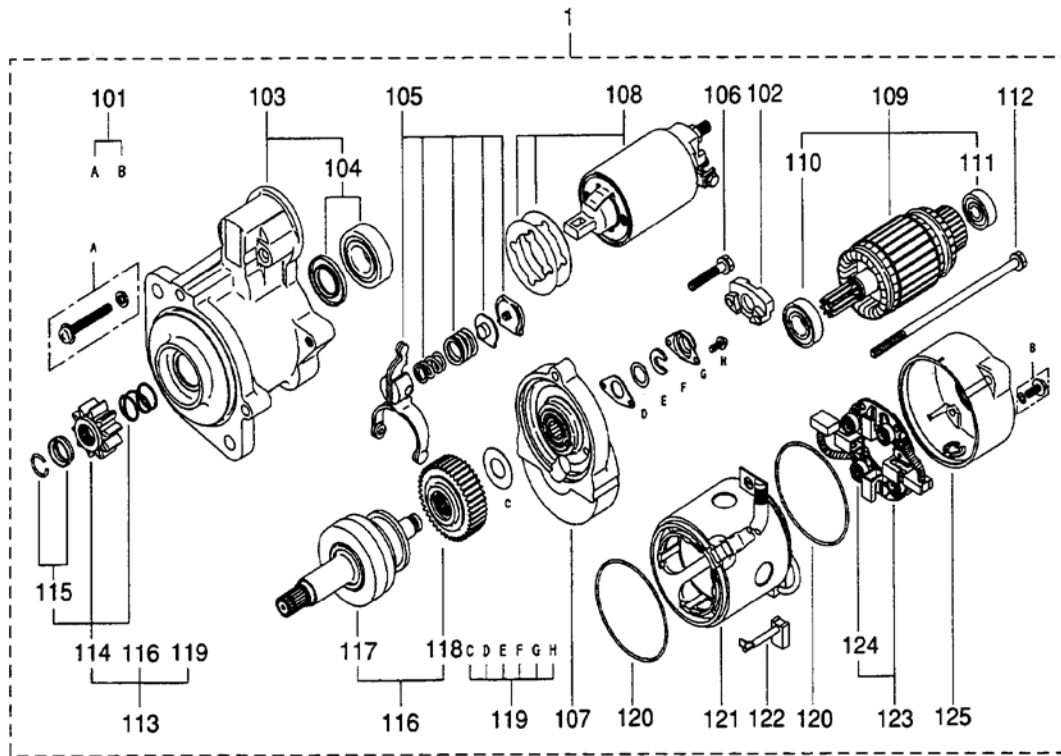
FIG. 66-01





# STARTER (12V-2.2KW)

FIG. 66-02



# STARTER (12V-2.2KW)

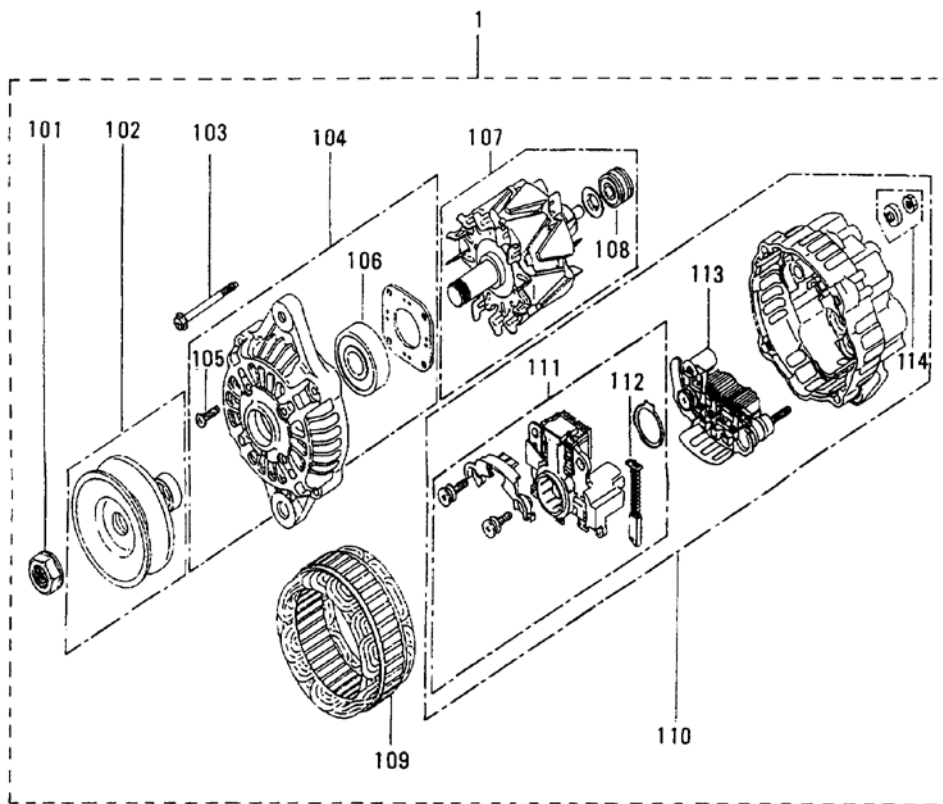
**FIG. 66-02**

NO.	PART NO.	PART NAME & DESCRIPTION		QTY	APP. NO	REM.
1	32A66-01100	STARTER(12V-2.2KW)	M002TS0071 MEC	1		
101	M414X-07472	SCREW SET		1		
102	M578X-31971	PACKING		1		
103	M641X-B9971	BRACKET ASSY, FRONT		1		
104	M690X-00572	BEARING SET		1		
105	M863X-08675	LEVER ASSY		1		
106	M981X-75471	BOLT SET		1		
107	M640X-29971	BRACKET ASSY, CENTER		1		
108	M372X-02871	SWITCH ASSY		1		
109	M106X-44771	ARMATURE SET		1		
110	S930P-14670	BEARING		1		
111	S930P-29970	BEARING		1		
112	M981X-72875	BOLT SET		2		
113	M357X-93471	SHAFT ASSY, CLUTCH		1		
114	M605X-72371	PINION SET		1		
115	M385X-03771	STOPPER SET		1		
116	M231X-02671	GEAR SET		1		
117	M357X-78571	SHAFT ASSY, PINION		1		
118	M231X-02672	GEAR		1		
119	M212X-11774	COVER SET		1		
120	M578X-20972	PACKING		2		
121	M800X-76271	YOKE ASSY		1		
122	M648X-40773	BRUSH		2		
123	M649X-20473	HOLDER ASSY, BRUSH		1		
124	M391X-04371	SPRING, BRUSH		4		
125	M642X-35771	BRACKET ASSY, REAR		1		



# ALTERNATOR(12V-50A)

FIG. 68



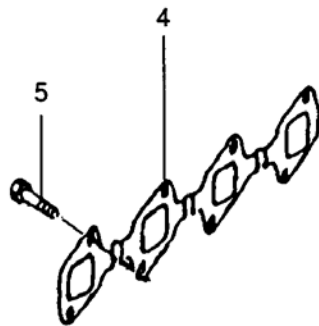
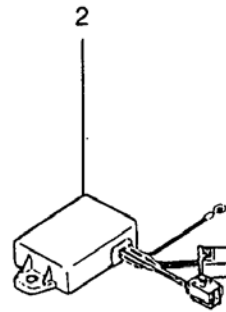
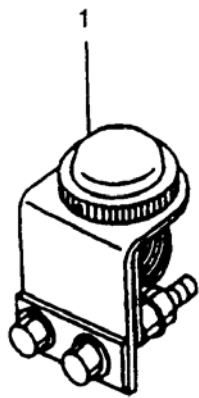
# ALTERNATOR(12V-50A)

**FIG. 68**

NO.	PART NO.	PART NAME & DESCRIPTION		QTY	APP. NO	REM.
1	32A68-00400	ALTERNATOR ASSY	A007TA0483 MEC	1		
101	A981X-20771	NUT SET	MM502565	1		
102	A628X-65070	PULLEY ASSY	MM502589	1		
103	A414X-19271	BOLT SET	MM502566	1		
104	A640X-53570	BRACKET ASSY, FRONT	MM502590	1		
105	A414X-21271	SCREW SET	MM502568	1		
106	S930P-18870	BEARING, FRONT	MM502569	1		
107	A880T-65470	ROTOR ASSY	MM502570	1		
108	S930P-63670	BEARING, REAR	MM502571	1		
109	A383T-46370	STATOR ASSY	MM502572	1		
110	A642X-29070	BRACKET ASSY, REAR	MM502592	1		
111	A866X-44682	REGULATOR SET	*	1		
112	A647X-50170	BRUSH	MM502577	2		
113	A860X-50970	RECTIFIER ASSY	MM502587	1		
114	A529X-05571	NUT SET	MM502588	1		

# ACCESSORY

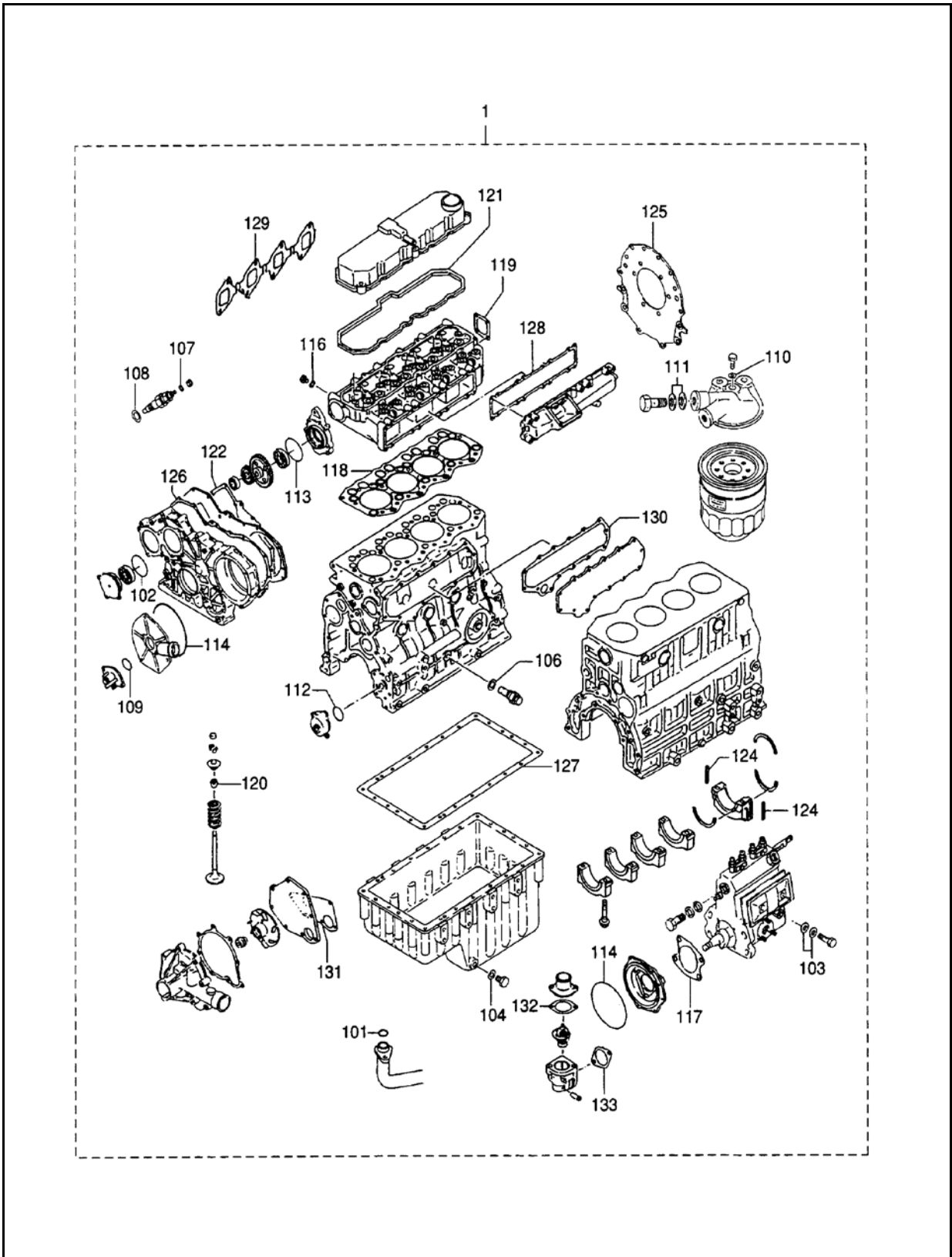
FIG. 92





# OVERHAUL GASKET KIT

FIG. 94



# OVERHAUL GASKET KIT

**FIG. 94**

NO.	PART NO.	PART NAME & DESCRIPTION	QTY	APP. NO	REM.
1	32A94-12060	GASKET KIT, (O/H)	1		
101	F3150-02000	O-RING	3		
102	F3153-07500	O-RING	2		
103	F4202-10000	GASKET	2		
104	F4202-14000	GASKET	1		
106	F4202-22000	GASKET	1		
107	MD068355	GASKET, FUEL RETURN	4		
108	MD070717	GASKET, HOLDER	4		
109	MM433993	O-RING	1		
110	05946-00801	WASHER, SEALING	1		
111	05946-01401	WASHER, SEALING	10		
112	06016-13060	O-RING	1		
113	06016-13080	O-RING	1		
114	06016-13140	O-RING	2		
116	30636-25901	GASKET	2		
117	30661-51300	GASKET	1		
118	32A01-02203	GASKET, CYL HEAD	1		
119	32A01-02500	GASKET, HAED REAR	1		
120	32A04-02801	SEAL, VALVE STEM	8		
121	32A04-13200	GASKET, ROCKER COVER	1		
122	32A07-04100	GASKET, FRONT PLATE	1		
124	32A07-11700	SEAL, SIDE	2		
125	32A07-14400	GASKET, REAR	1		
126	32A11-22201	GASKET, GEAR	1		
127	32A13-04201	GASKET, OIL PAN	1		
128	32A30-00201	GASKET, INLET	1		
129	Q1650009	GASKET, EXHAUST	1		
130	32A39-01200	GASKET, SIDE COVER	1		
131	32A45-00500	GASKET, WATER	1		
132	32A46-01200	GASKET, THERMOSTAT	1		
133	34446-05300	GASKET	1		