

전륜 구동

FRONT WHEEL DRIVE

■ 엔진 주변 부품 / ENGINE

연료 탱크 / FUEL TANK -----	FIG. 2-1	G. 040
조속 장치 / ENGINE CONTROL -----	FIG. 2-2	G. 100
소음기 / MUFFLER -----	FIG. 2-3	G. 150
라디에이터 / RADIATOR -----	FIG. 2-4	G. 170
에어 크리너 / AIR CLEANER -----	FIG. 2-5	G. 190
엔진 프레임 / ENGINE FRAME -----	FIG. 2-6	G. 210

■ 동력 전달 / TM

클러치 / CLUTCH -----	FIG. 3-1	G. 250
클러치 하우징 / CLUTCH HOUSING -----	FIG. 3-2	G. 250
클러치 페달 / CLUTCH PEDAL -----	FIG. 3-3	G. 260
트랜스미션 케이스 / TRANSMISSION CASE -----	FIG. 3-4	G. 280
주축 / MAIN SHAFT -----	FIG. 3-5	G. 281,283
주변속 축 / MAIN GEAR SHAFT -----	FIG. 3-6	G. 281
부변속 축 / RANGE GEAR SHAFT -----	FIG. 3-7	G. 285
초저속 축 / CREEPER SHAFT -----	FIG. 3-8	G. 285
피티오 축 / PTO SHAFT -----	FIG. 3-9	G. 283
피티오 구동축 / PTO DRIVE SHAFT -----	FIG. 3-10	G. 287
피티오 브레이크 / PTO BRAKE -----	FIG. 3-11	G. 283
전륜구동 축 / FRONT WHEEL DRIVE SHAFT -----	FIG. 3-12	G. 288
변속 포크 / SHIFT FORK -----	FIG. 3-13	G. 290,291
변속 레버 / SHIFT LEVER -----	FIG. 3-14	G. 290,291
전후진 레버 / F-R SHIFT LEVER -----	FIG. 3-15	G. 291
주변속 레버 / MAIN GEAR LEVER -----	FIG. 3-16	G. 292
부변속 레버 / RANGE GEAR LEVER -----	FIG. 3-17	G. 292
피티오 변속 레버 / PTO SHIFT LEVER -----	FIG. 3-18	G. 293

■ 차동 장치 / DIFF. LOCK

차동 고정장치 / DIFF-LOCK -----	FIG. 4-1	G. 310
차동장치 / REAR DIFFERENTIAL -----	FIG. 4-2	G. 320
전륜 구동 커버 / FRONT WHEEL DRIVE PROP COVER -----	FIG. 4-3	G. 380

■ 앞차축, 뒷차축 / FRONT, REAR AXLE

앞차축 조립체 / FRONT AXLE ASSY -----	FIG. 5-1	G. 400
앞차축 케이스 / FRONT AXLE CASE -----	FIG. 5-2	G. 400
앞차축 차동장치 / FRONT DIFFERENTIAL -----	FIG. 5-3	G. 400
앞차축 구동장치 / FRONT DRIVE -----	FIG. 5-4	G. 400
뒷차축 최동구동 / REAR AXLE -----	FIG. 5-5	G. 480
앞, 뒤 타이어 / FRONT & REAR WHEEL (TIRE) -----	FIG. 5-6	G. 490

■ 조향 장치 /

타이어로드 / TIE ROD -----	FIG. 6-1	G. 610
조향 실린더 및 라인 / STEERING CYLINDER & LINES -----	FIG. 6-2	G. 630
조향 휠 및 칼럼 / STEERING WHEEL & COLUMN -----	FIG. 6-3	G. 630

타이로드	-----	FIG. 6-1	
조향 실린더	-----	FIG. 6-2	
조향 휠 및 칼럼	-----	FIG. 6-3	
조향 라인	-----	FIG. 6-4	
■ 브레이크 장치 /			
브레이크 / BRAKE	-----	FIG. 7-1	G. 650
브레이크 페달 / BRAKE PEDALS	-----	FIG. 7-2	G. 670
주차 브레이크 / PARKING BRAKE PEDAL	-----	FIG. 7-3	G. 670
■ 전기 장치 /			
전기 배선 / ELECTRICAL WIRING	-----	FIG. 8-1	G. 730
축 전 지 / BATTERY	-----	FIG. 8-2	G. 740
계기 판넬 / METER PANEL	-----	FIG. 8-3	G. 750
램 프 / LAMP	-----	FIG. 8-4	G. 760
배선, 콘트롤러 및 센서 (수평 제어) / WIRE, CON. & SENSOR	-----	FIG. 8-5	G. 750
■ 유압 장치 /			
유압 하우징 / HYDRAULIC HOUSING	-----	FIG. 9-1	G. 820
리프트 제어밸브 및 링크 / LIFT CONTROL VALVE & LINK	-----	FIG. 9-2	G. 822
TM 제어밸브 / TM CONTROL VALVE	-----	FIG. 9-3	G. 822
유압인출 및 로더밸브 / FRONT OUTLET & LOADER VALVE	-----	FIG. 9-4	G. 822
유압 라인 / HYDRAULIC LINES	-----	FIG. 9-5	G. 823
견인 제어 링크 / DRAFT CONTROL LINK	-----	FIG. 9-6	G. 824
유압 제어 레버 / HYDRULIC CONTROL LEVER	-----	FIG. 9-7	G. 825
유압 실린더 / HYDRAULIC CYLINDER	-----	FIG. 9-8	G. 826
원격 유압 밸브 / REMOTE CONTROL VALVE	-----	FIG. 9-9	G. 827
상부 링크 브라켓트 / UPPER LINK BRACKET	-----	FIG. 9-10	G. 828
드로우바 히치 / DRAWBAR HITCH	-----	FIG. 9-11	G. 891
상부 및 하부 링크 / UPPER & LOWER LINK	-----	FIG. 9-12	G. 828
리프트 로드 / LIFT ROD	-----	FIG. 9-13	G. 896
체크 링크 / CHECK LINK	-----	FIG. 9-14	G. 896
수평제어 유압라인 / AUTO LEVELING HYDRAULIC LINE	-----	FIG. 9-15	G. 829
■ 외장 / SHEET METAL, INTERIOR			
후드 / HOOD	-----	FIG. 10-1	G. 830
발판 / STEP	-----	FIG. 10-2	G. 840
마운트 / MOUNT	-----	FIG. 10-3	G. 840
의자 / SEAT	-----	FIG. 10-4	G. 850
출입문 / DOOR	-----	FIG. 10-5	G. 862
전방창, 측방창 / FRONT & SIDE WINDOW	-----	FIG. 10-6	G. 863
후방창 / REAR WINDOW	-----	FIG. 10-7	G. 863
내장재 / INTERIOR	-----	FIG. 10-8	G. 864
에어컨 / AIR CONDITIONER	-----	FIG. 10-9	G. 865
윈도우 와이퍼 / WINDOW WIPER	-----	FIG. 10-10	G. 866
지붕 / ROOF	-----	FIG. 10-11	G. 867
외장재 / EXTERIOR	-----	FIG. 10-12	G. 868
공용품 / COMMON	-----	FIG. 10-13	G. 869
펜더 / FENDER	-----	FIG. 10-14	G. 870
보호구조물 / ROPS	-----	FIG. 10-15	G. 880

■ **공구, 데칼 /**

공구 / TOOLS ----- FIG. 11-1 G. 920

데칼 / DECAL ----- FIG. 11-2 G. 980

■ **선택 사양 /**

선택 사양 / OPTION ----- FIG. 12-1

FUEL TANK

A-C38, B-C45

A-C38, B-C45

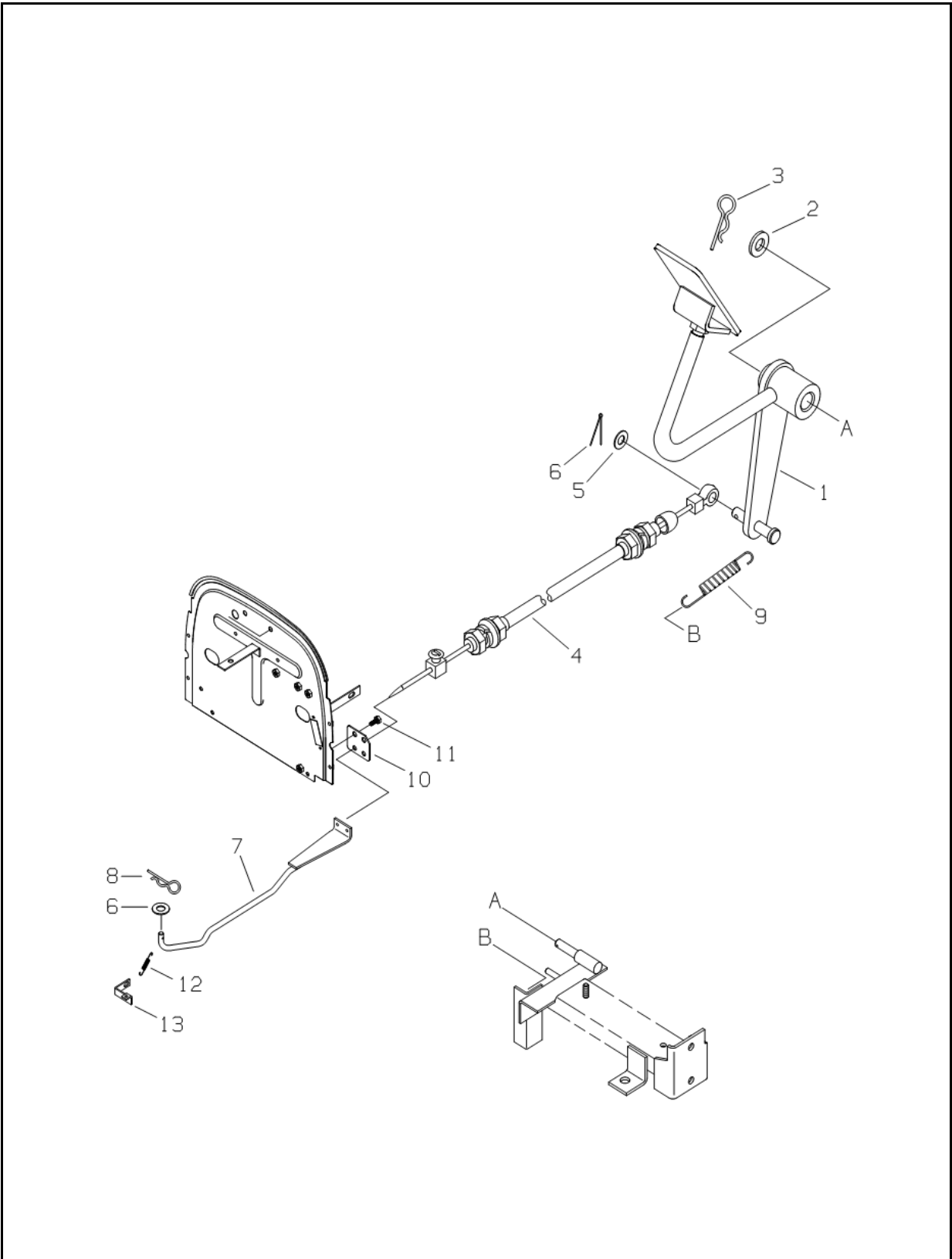
FIG. 2-1B EX, AG, TF

NO.	PART NO.	PART NAME & DESCRIPTION	QTY			APP. NO	REM.
			A	B	C		
1~12	A1040139	FUEL TANK ASSY	1	1			
1	A1040052	STRAINER, FUEL TANK	1	1			
2	A1040085	TANK, FUEL	1	1			
3	A1040086	BAND, FUEL TANK	1	1			
4	A1040088	SPONGE	1	1			
5	A1040089	SPONGE(RH)	1	1			
6	A1040090	SPONGE	2	2			
7	A1040093	SPONGE(LH)	1	1			
8	A1040133	SPONGE	2	2			
9	A1040111	CAP ASSY, FUEL	1	1			
10	A1750176	GAUGE, FUEL	1	1			
11	S153051613	BOLT. HEX. W/WASHER	5	5			M5x0.8x16L
12	A1877079	NUT, LOCK	2	2			M8x1.25
13	S365082013	WASHER, PLN.	2	2			D20/8.4x1.6T
14	A1970380	CLAMP, HOSE	6	6			
15	A1040104	HOSE, FUEL RETURN	1	1			
16	A1040074	HOSE, FUEL	1	1			
17	A1040127	COCK, FUEL TANK	1	1			
18	A1040205	HOSE, VALVE COCK	1	1			

ENGINE CONTROL

FIG. 2-2B

G. 100



ENGINE CONTROL

A-C38, B-C45

A-C38, B-C45

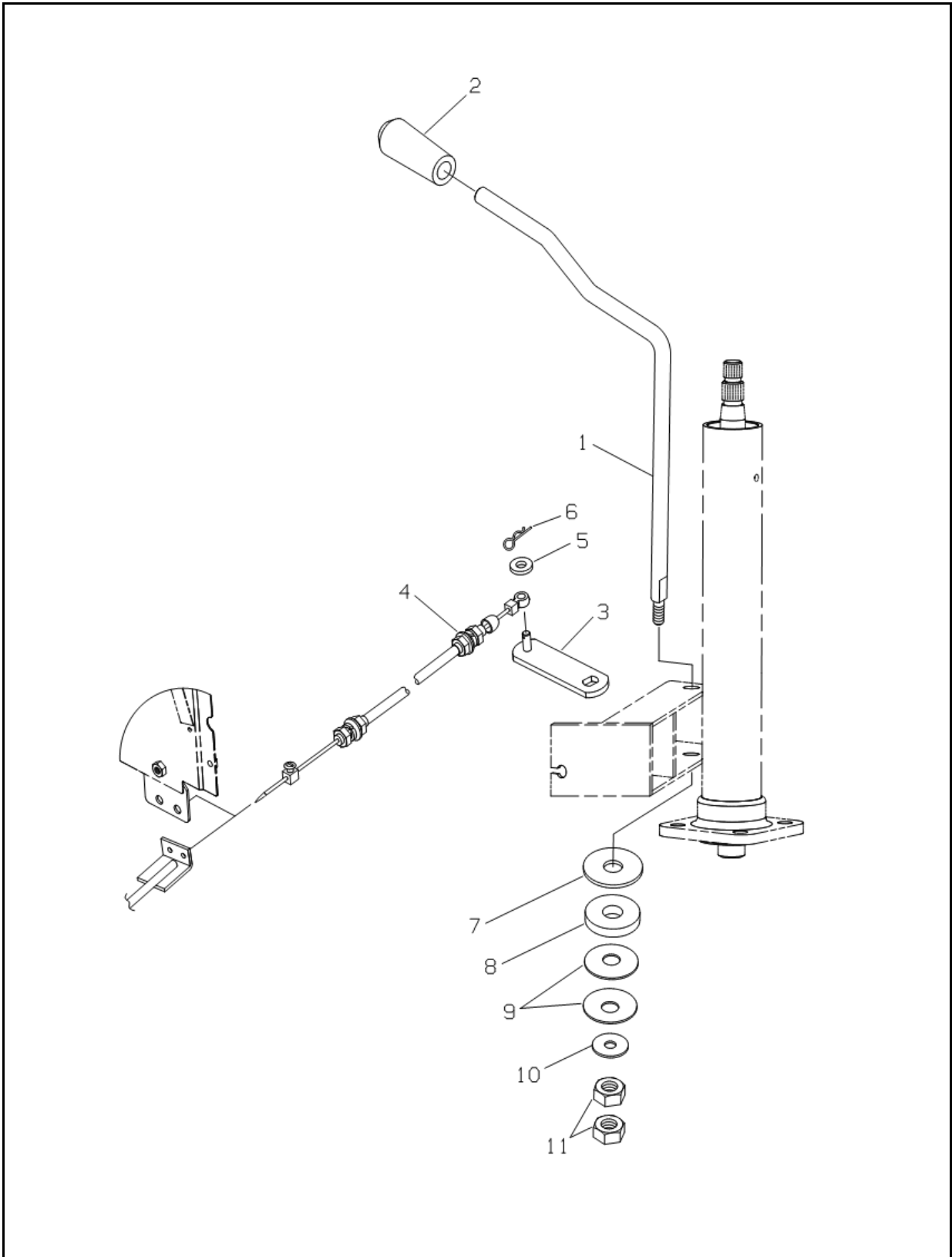
FIG. 2-2B EX, AG, VA, PT, TK, TF, R

NO.	PART NO.	PART NAME & DESCRIPTION	QTY			APP. NO	REM.
			A	B	C		
1	A1100057	PEDAL, ACCELELATOR	1	1			
2	S364120013	WASHER, PLN. Φ24xΦ13x2.5t	1	1			
3	S443120013	PIN, HAIR Φ1.8	1	1			
4	A1100045	WIRE, ACCE. PEDAL	1	1			
5	A1970286	WASHER, PLASTIC Φ17xΦ6x3.0t	2	2			
6	S441251613	PIN, SPLIT Φ2.3	1	1			
7	A1100042	ROD, ENGINE CONTROL	1	1			
8	S443060013	PIN, SNAP Φ1.2	1	1			
9	3A1100008	SPRING	1	1			
10	A1100075	PLATE, CABLE	1	1			
11	S159081633	BOLT, W/WASHER M8x1.25x16L	1	1			
12	A1100087	SPRING	1	1			
13	A1100106	BRACKET, SPRING	1	1			

ENGINE CONTROL

FIG. 2-3

G. 100



ENGINE CONTROL

A-C38, B-C45

A-C38, B-C45

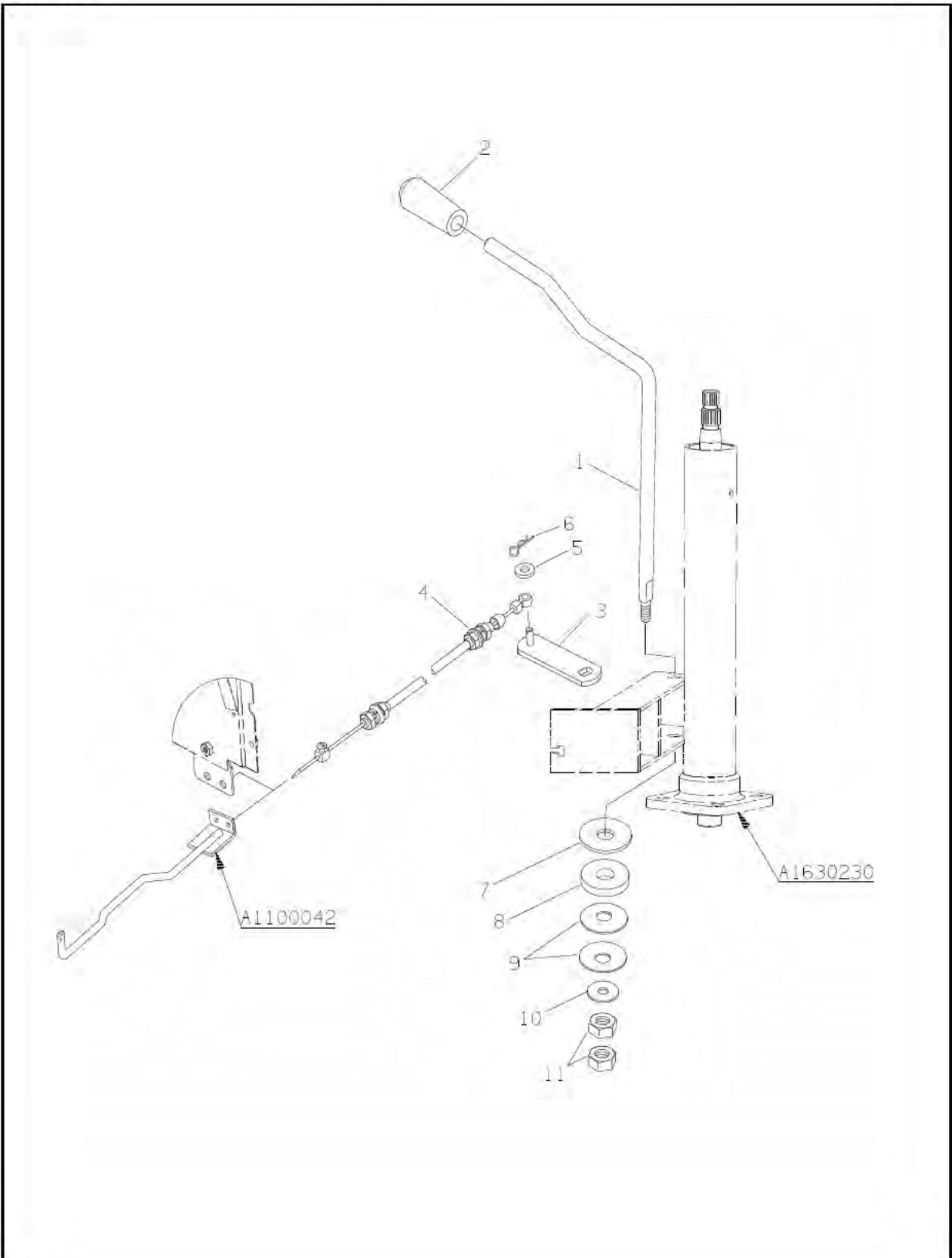
FIG. 2-3

NO.	PART NO.	PART NAME & DESCRIPTION	QTY			APP. NO	REM.
			A	B	C		
1	A1100052	LEVER, ENG. ACCELERATOR	1	1			
2	A0710037	GRIP (4)	1	1			
3	A1100076	ARM, ENG. CONTROL	1	1			
4	A1100054	WIRE, ACCE. LEVER	1	1			
5	A1970286	WASHER, PLASTIC	1	1			
6	S443060013	PIN, HAIR	1	1			
7	A1100058	PLATE, FRICTION	1	1			
8	S364120013	WASHER, PLN.	1	1			
9	S373120023	SPRING, PLATE	2	2			
10	S364080013	WASHER, PLN.	1	1			
11	S313080013	NUT, HEX.	2	2			

ENGINE CONTROL

FIG. 2-3

G. 100



ENGINE CONTROL

A-C38, B-C45

A-C38, B-C45

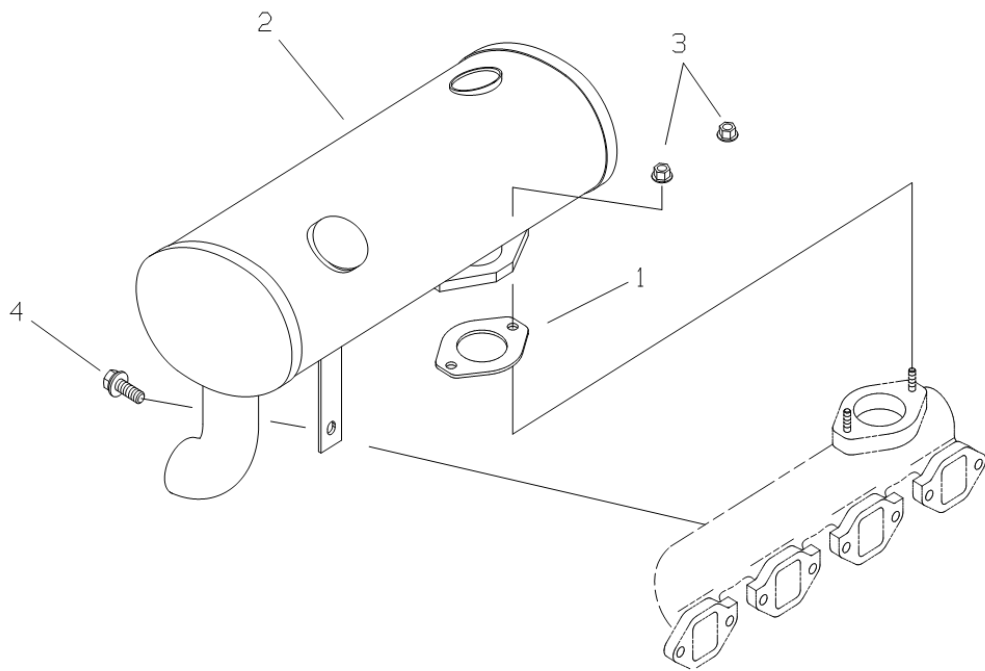
FIG. 2-3

NO.	PART NO.	PART NAME & DESCRIPTION	QTY			APP. NO	REM.
			A	B	C		
1	A1100052	LEVER, ENG. ACCELERATOR	1	1			
2		GRIP (4)	1	1			
3	A1100053	ARM, ENG. CONTROL	1	1			
4	A1100054	WIRE, ACCE. LEVER	1	1			
5	A1970286	WASHER, PLASTIC	1	1			
		$\Phi 17 \times \Phi 6 \times 3.0t$					
6	S443060013	PIN, HAIR	1	1			
		$\Phi 1.2$					
7	A1100058	PLATE, FRICTION	1	1			
		$\Phi 28 \times \Phi 13 \times 2.0t$					
8	S364120013	WASHER, PLAIN	1	1			
		$\Phi 24 \times \Phi 13 \times 2.5t$					
9	S373120023	SPRING, PLATE	2	2			
		$\Phi 24 \times \Phi 13 \times 2.2t$					
10	S364080013	WASHER, PLAIN	1	1			
		$\Phi 17 \times \Phi 8.4 \times 1.6t$					
11	S313080013	NUT, HEX.	2	2			
		M8X1.25P					

MUFFLER

FIG. 2-4B

G. 150



MUFFLER

A-C38, B-C45

A-C38, B-C45

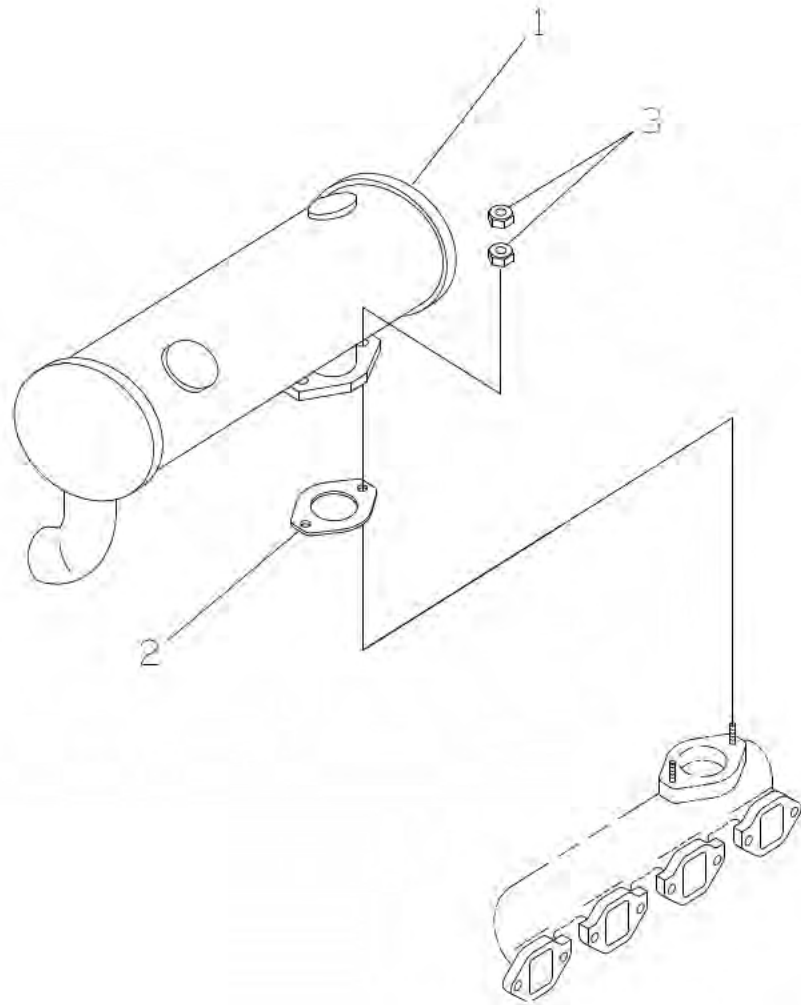
FIG. 2-4B EX, AG, VA, TF, R

NO.	PART NO.	PART NAME & DESCRIPTION		QTY			APP. NO	REM.
				A	B	C		
1	A1151100	GASKET, MUFFLER		1	2			
2	A1151144	MUFFLER		1	1			
3	S345080013	NUT, HEX. FLANGE	M8x1.25P	2	2			
4	S159082033	BOLT, HEX. W/WASHER	M8x1.25Px20L	1	1			

MUFFLER

FIG. 2-4

G. 150



MUFFLER

A-C38, B-C45

A-C38, B-C45

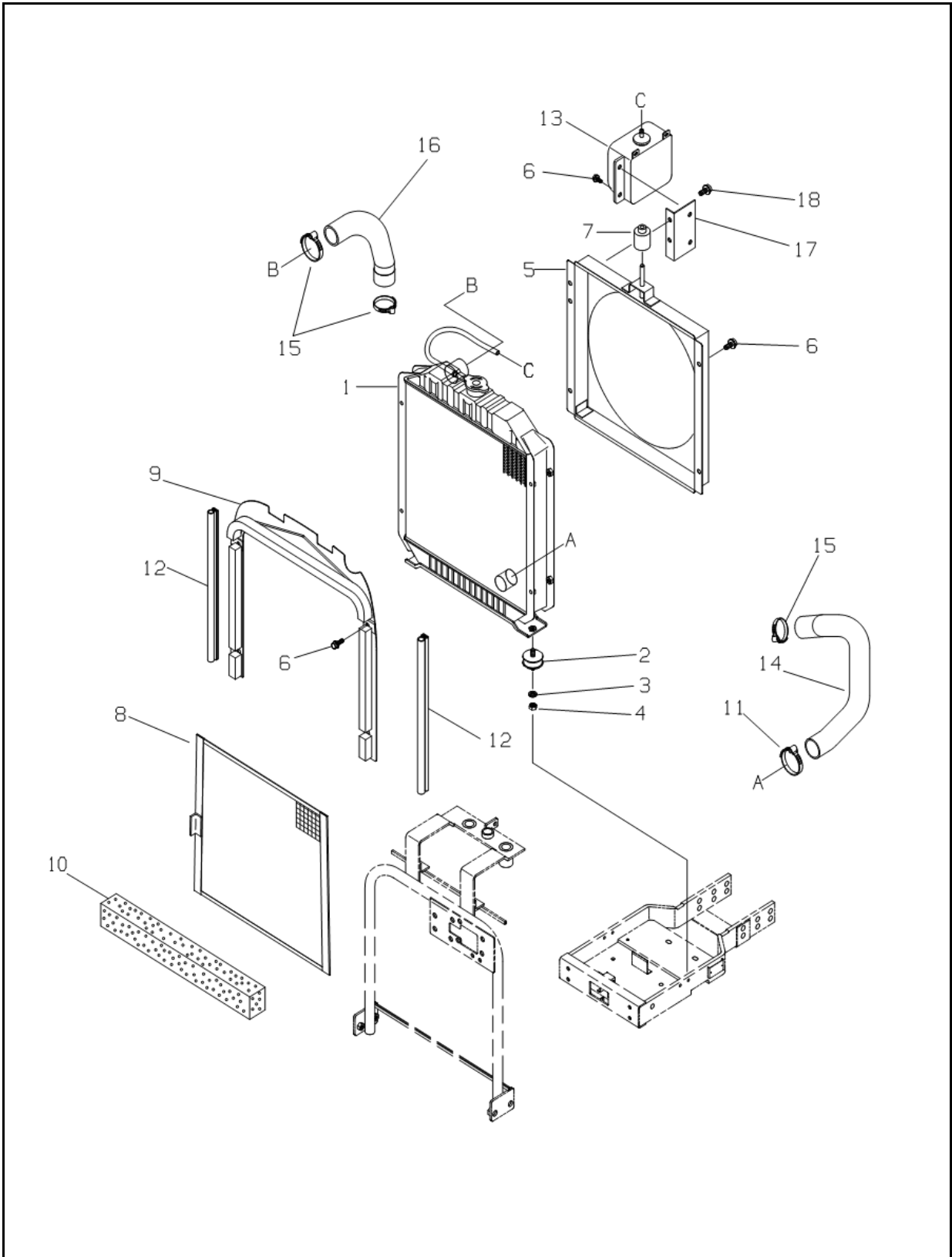
FIG. 2-4

NO.	PART NO.	PART NAME & DESCRIPTION		QTY			APP. NO	REM.
				A	B	C		
1	A1151100	GASKET, MUFFLER		1	1			
2		MUFFLER		1	1			
3	S313080070	NUT, HEX	M8x1.25P	4	4			
4	S159082033	BOLT, HEX. W/WASHER	M8x1.25Px20L	1	1			

RADIATOR

FIG. 2-5

G. 170



RADIATOR

A-C38, B-C45

A-C38, B-C45

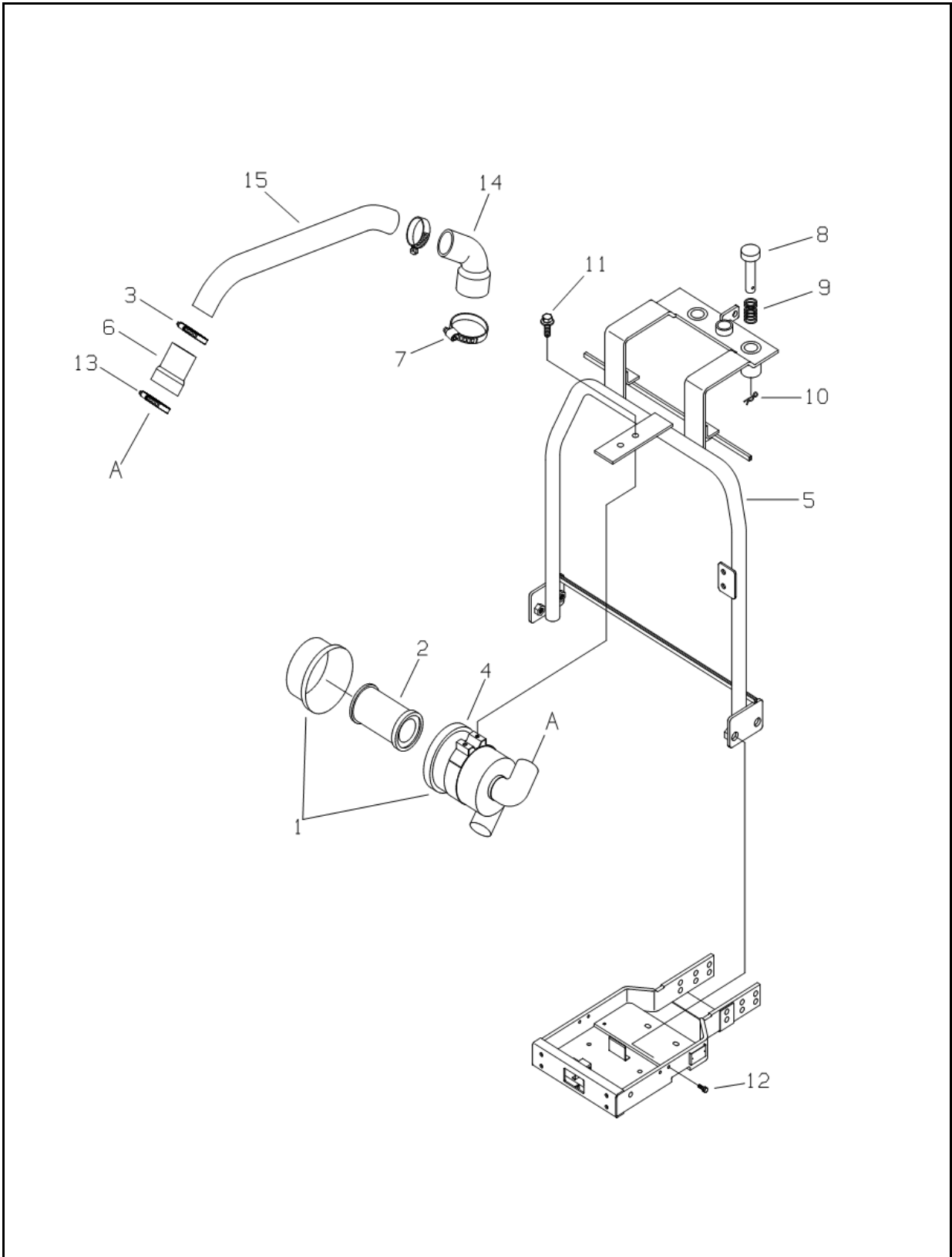
FIG. 2-5

NO.	PART NO.	PART NAME & DESCRIPTION	QTY			APP. NO	REM.
			A	B	C		
1	A1170174	RADIATOR	1	1			
2	A1970360	RUBBER, DAMPING MOUNT	2	2			
3	S361100013	WASHER, SPRING	2	2			
4	S314100013	NUT, HEX	2	2			
5	A1170220	SHROUD, FAN	1	1			
6	S159082533	BOLT, HEX. W/WASHER	9	9			
7	A1970258	RUBBER, CUSHION	1	1			
8	A1170129	NET, SCREEN RADIATOR	1	1			
9	A1170134	PLATE	1	1			
10	A1170102	SEAL, RADIATOR AIR	1	1			
11	A1970201G	CLAMP, HOSE	3	3			
12	A1170095	STRIP, WEATHER	1	1			
13	A1170031	TANK, RESERVOR	1	1			
14	A1170185	HOSE, OUTLET	1	1			
15	A1970201F	CLAMP, HOSE	1	1			
16	A1170186	HOSE, INLET	1	1			
17	A1170099	PLATE	1	1			
18	S155082033	BOLT, HEX. W/WASHER	2	2			

AIR CLEANER

FIG. 2-6

G. 190



AIR CLEANER

A-C38, B-C45

A-C38, B-C45

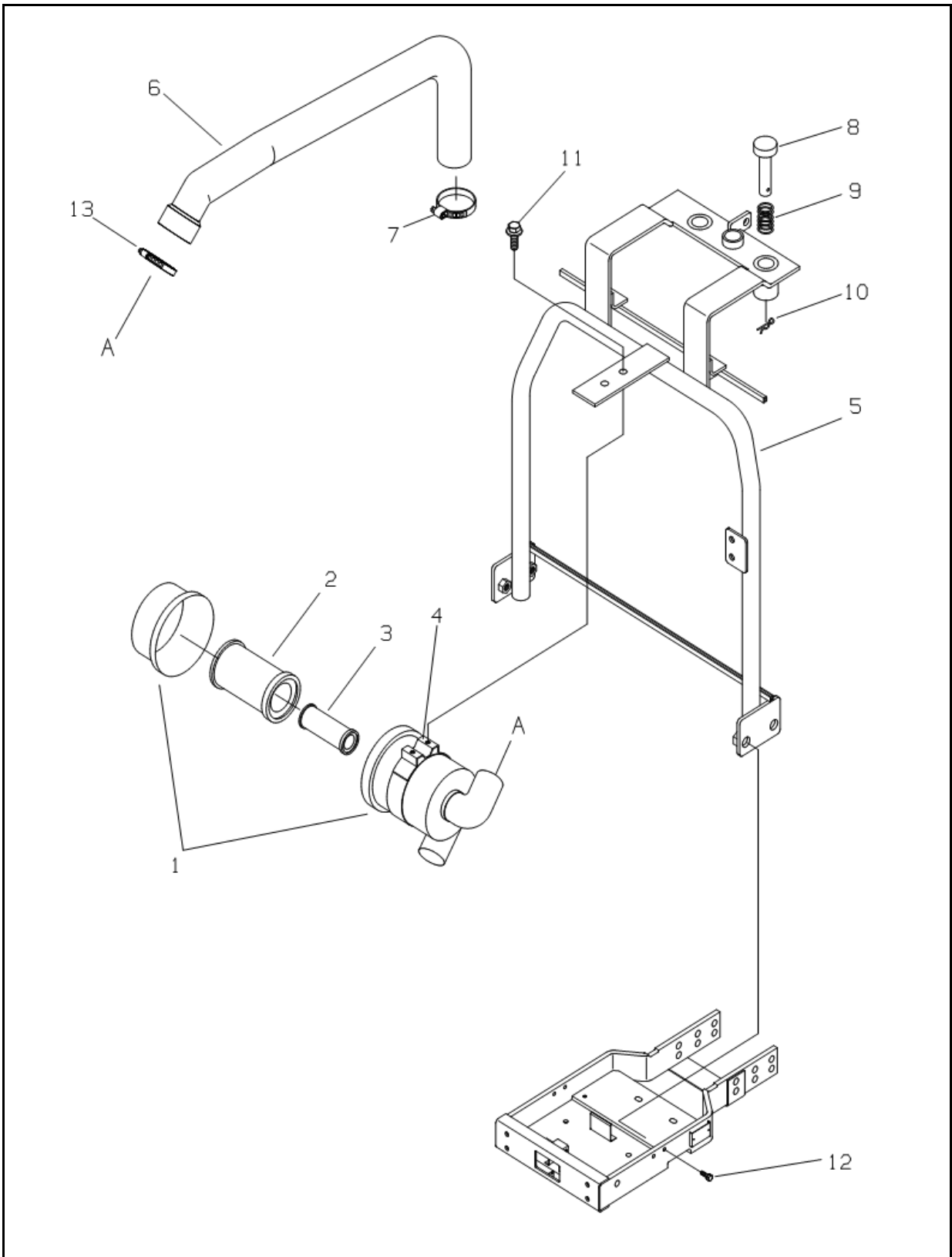
FIG. 2-6

NO.	PART NO.	PART NAME & DESCRIPTION	QTY			APP. NO	REM.
			A	B	C		
1-3	A1190110	AIR CLEANER ASSY	1	1			
1	A1190117	BODY, ASSY	1	1			
2	A1190111	FILTER, PRIMARY	1	1			
3	A1970201i	CLAMP, HOSE	2	2			
4	A1190113	BAND, AIR CLEANER	1	1			
5	A1190138	SUPPORT, AIR CLEANER	1	1			
6	A1190163	HOSE A, AIR INTAKE	1	1			
7	A1970201J	CLAMP, HOSE	1	1			
8	A1830261	PIN, CLEVIS	2	2			
9	A0690127	SPRING	2	2			
10	S443120013	PIN, SNAP	2	2			D12x35.8
11	S155082033	BOLT, HEX. W/WASHER	2	2			M8x1.25x20L
12	S154103533	BOLT, HEX.	4	4			M10x1.25x30L
13	A1970201K	CLAMP, HOSE	1	1			
14	A1190164	HOSE B, AIR INTAKE	1	1			
15	A1190188	PIPE, AIR INTAKE	1	1			

AIR CLEANER

FIG. 2-6

G. 190



AIR CLEANER

A-C38, B-C45

A-C38, B-C45

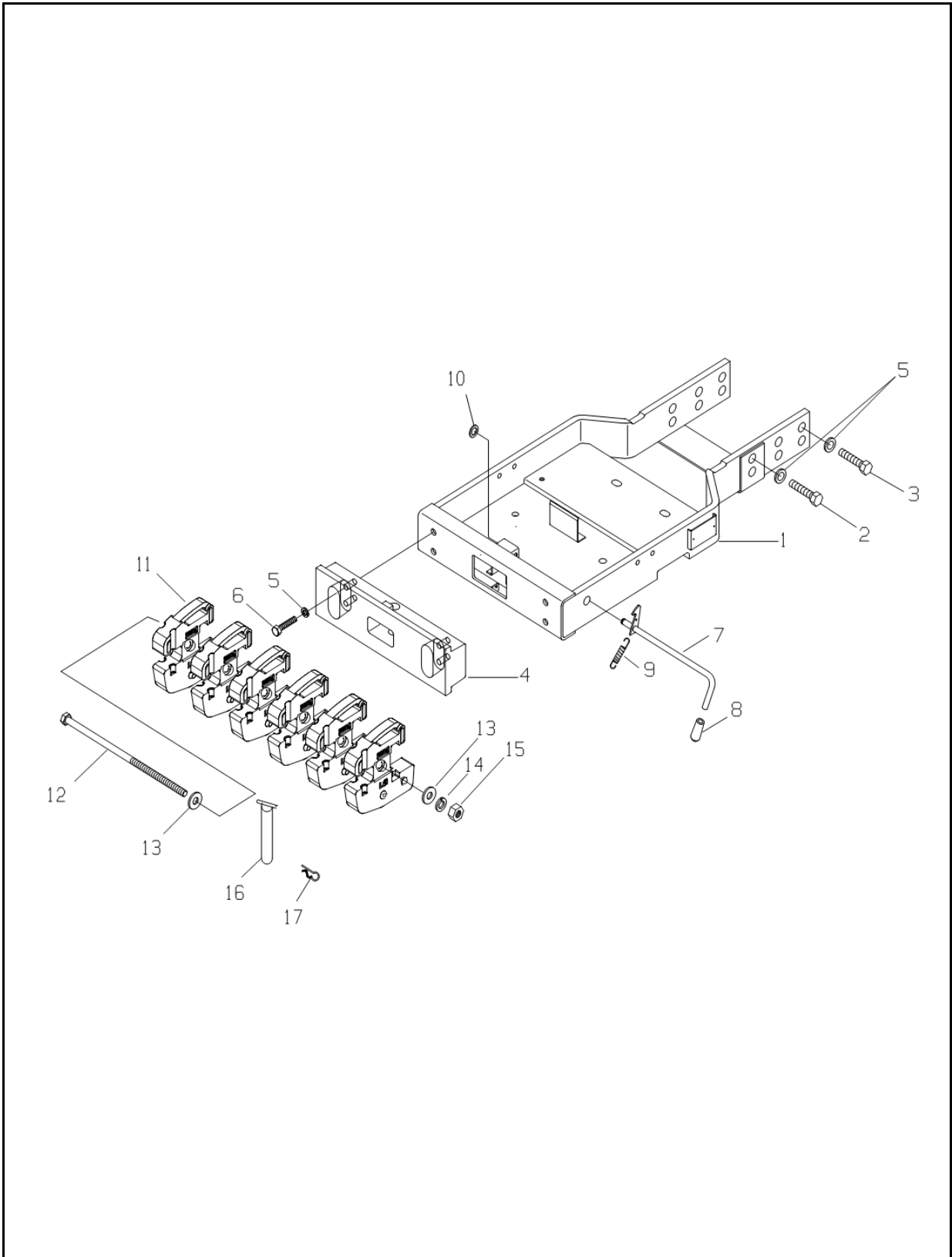
FIG. 2-6

NO.	PART NO.	PART NAME & DESCRIPTION	QTY			APP. NO	REM.
			A	B	C		
1-3	A1190110	AIR CLEANER ASSY	1	1			
1		BODY, ASSEMBLY	1	1			
2	A1190111	FILTER, PRIMARY	1	1			
3	A1190112	FILTER, SAFETY	1	1			
4	A1190113	BAND, AIRCLEANER	1	1			
5	A1190138	SUPPORT, AIRCLEANER	1	1			
6	A1190139	HOSE, AIR INTAKE	1	1			
7	A1970201H	CLAMP, HOSE	11	11			
8	A1830261	PIN, CLEVIS	2	2			
9	A1690127	SPRING	2	2			
10	S443120013	PIN, SNAP	2	2			
11	S155082033	BOLT, HEX. W/WASHER	2	2			
12	S154103533	BOLT, HEX.	4	4			
13	A1970201K	CLAMP, HOSE	1	1			

ENGINE FRAME

FIG. 2-7

G. 190



ENGINE FRAME

A-C38, B-C45

A-C38, B-C45

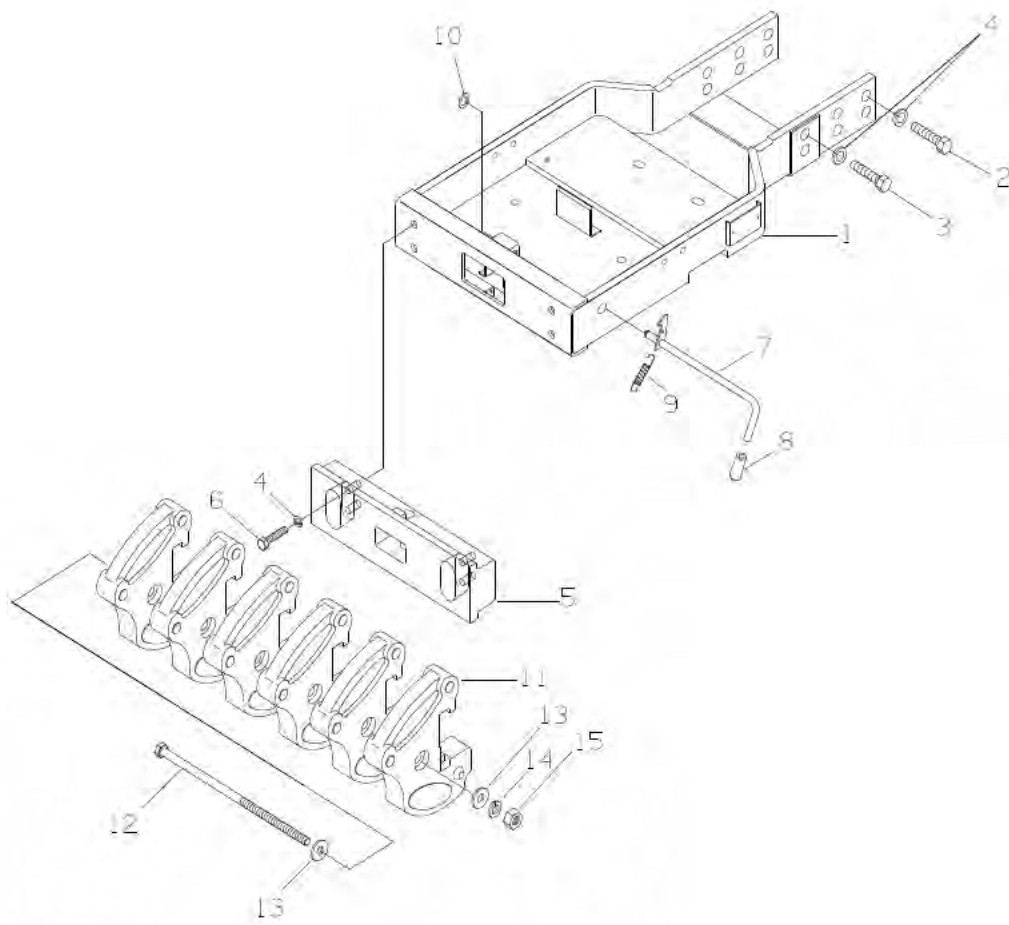
FIG. 2-7

NO.	PART NO.	PART NAME & DESCRIPTION		QTY			APP. NO	REM.
				A	B	C		
1	A1210109	FRAME, ENGINE		1	1			
2	S101144543	BOLT, HEX.	M12x2x45L	8	8			
3	S101145553	BOLT, HEX.	M14x2x55L	4	4			
4	A1215029	BUMPER		1	1			
5	S361140013	WASHER, SPRING	Φ24.5xΦ14.2x3.5t	4	4			
6	S103149043	BOLT, HEX.	M14x1.5x90L	4	4			
7	A1830229	HOOK, GRILL		1	1			
8	A0710037	GRIP		1	1			
9	A1830248	SPRING		1	1			
10	S810012001	RING, SNAP	D11.1x1t	1	1			
11	A1215030	WEIGHT, FRONT	20kg/EA	6	6			6 WEIGHT
	A1215030	WEIGHT, FRONT	20kg/EA	4	4			4 WEIGHT
12	A1215007	BOLT, HEX.	M16x1.5x360	1	1			6 WEIGHT
	A1215028	BOLT, HEX.	M16x1.5x245	1	1			4 WEIGHT
13	3A0010847	WASHER, STOP	Φ38xΦ17x5t	2	2			
14	S361160013	WASHER, SPRING	Φ28xΦ16.2x4t	1	1			
15	S314160013	NUT, HEX	M16x1.5	1	1			
16	A1215031	PIN, FRONT HOOK		1	1			
17	A1970350	PIN, SNAP		1	1			

ENGINE FRAME

FIG. 2-7

G. 190



ENGINE FRAME

A-C38, B-C45

A-C38, B-C45

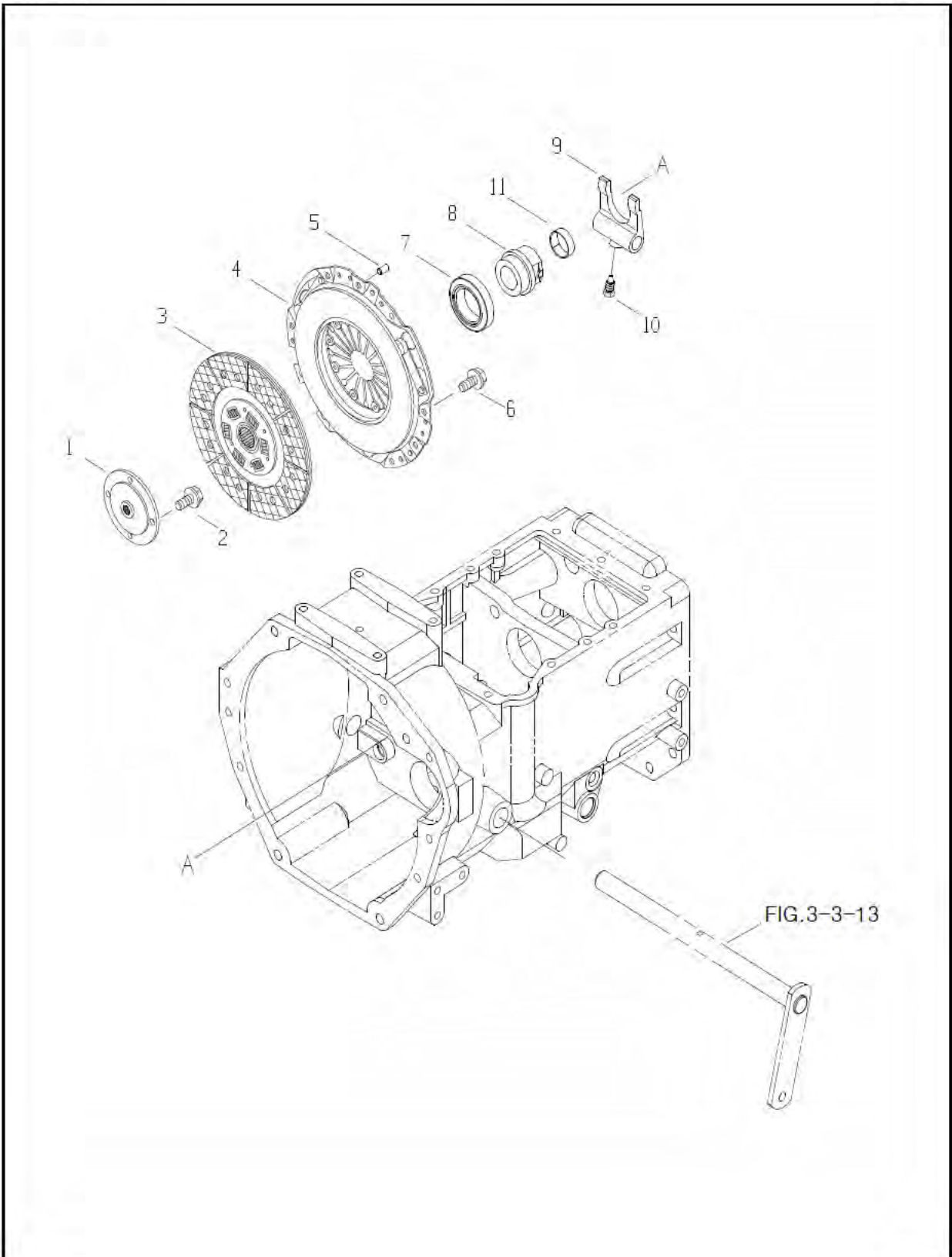
FIG. 2-7

NO.	PART NO.	PART NAME & DESCRIPTION		QTY			APP. NO	REM.
				A	B	C		
1	A1210109	FRAME, ENGINE		1	1			
2	S101144543	BOLT, HEX.	M12x2x45L	8	8			
3	S101145553	BOLT, HEX.	M14x2x55L	4	4			
4	A1215029	BUMPER		1	1			
5	S361140013	WASHER, SPRING	φ24.5xφ14.2x3.5t	4	4			
6	S103149043	BOLT, HEX.	M14x1.5Px90L	4	4			
7	A1830229	HOOK, GRILL		1	1			
8	A0710037	GRIP		1	1			
9	A1830248	SPRING		1	1			
10	S810012001	RING, SNAP		1	1			
11	A1215030	WEIGHT, FRONT	20kg/개	6	6			
12	A1215007	BOLT, HEX.	M16x1.5x360	1	1			
13	3A0010847	WASHER, STOP	φ38xφ17x5t	2	2			
14	S361160013	WASHER, SPRING	φ28xφ16.2x4t	1	1			
15	S314160013	NUT, HEX	M16x1.5	1	1			
16	A1215031	PIN, FRONT HOOK		1	1			
17	A1970350	PIN, SNAP		1	1			

CLUTCH

FIG. 3-1

G. 250



CLUTCH

A-C38, B-C45

A-C38, B-C45

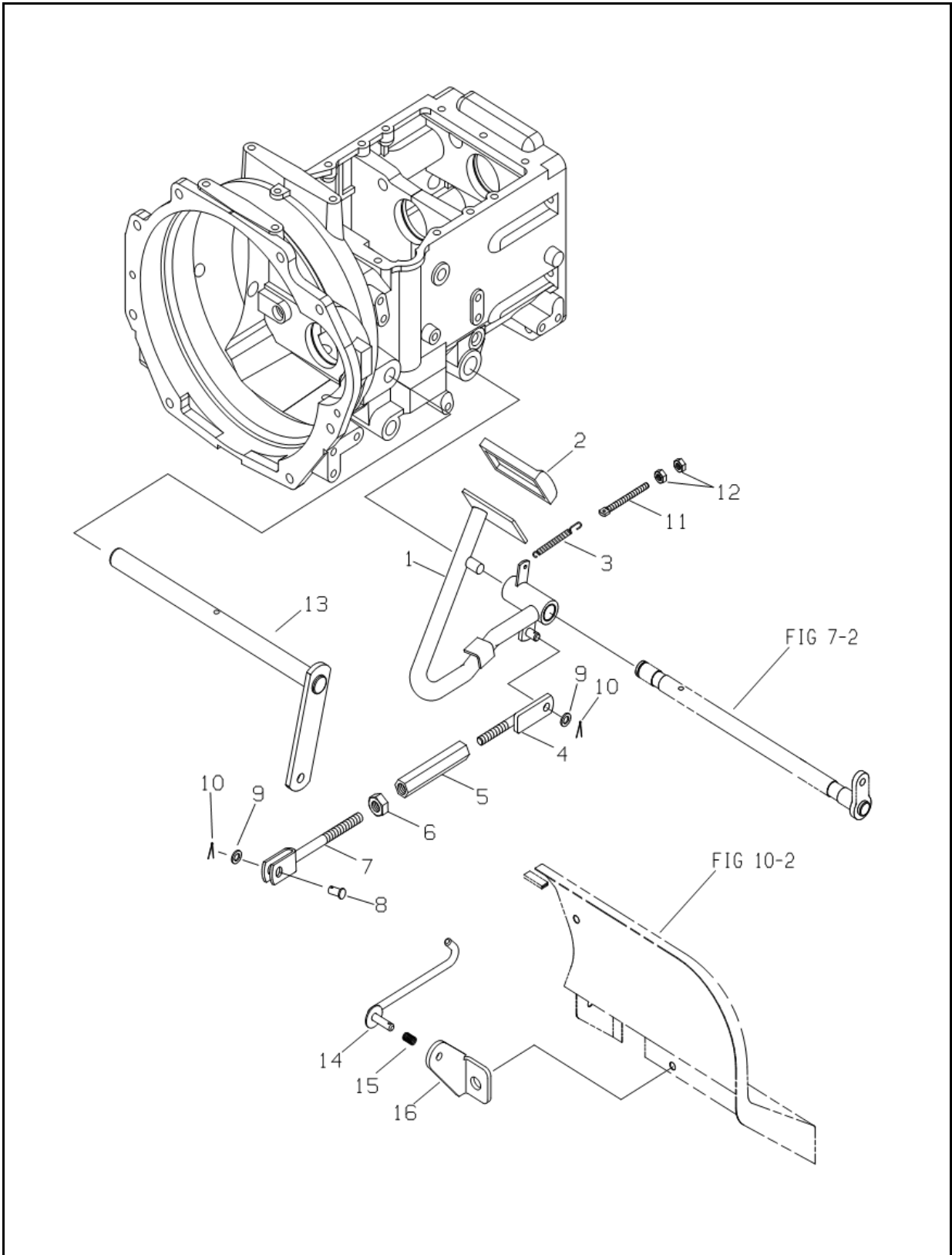
FIG. 3-1

NO.	PART NO.	PART NAME & DESCRIPTION	QTY			APP. NO	REM.
			A	B	C		
1	A1281428	SLEEVE, FLY WHEEL	1	*			
	A1281603	SLEEVE, FLY WHEEL	*	1			
2	S154102533	BOLT, HEX	4	4			
3-4	A1250111	CLUTCH ASSY	1	*			
	A1250139	CLUTCH ASSY	*	1			
3	A1250107	CLUTCH DISK ASSY	1	*			
	A1250138	CLUTCH DISK ASSY	*	1			
4	A1250094	CLUTCH COVER ASSY	1	*			
	A1250059	CLUTCH COVER ASSY	*	1			
5	S423081610	PIN, DOWEL	3	*			
	S421101210	PIN, DOWEL	*	3			
6	S153082533	BOLT, HEX	6	6			
7	A1250062	BEARING, RELEASE	1	1			
8	A1250112	HUB, RELEASE BEARING	1	*			
	A1250140	HUB, RELEASE BEARING	*	1			
9	A1250045	LEVER, CLUTCH SHIFT	1	1			
10	A1250047	BOLT, LOCKING	1	1			
11	A1250113	BUSHING	1	1			

CLUTCH PEDAL

FIG. 3-3

G. 260



CLUTCH PEDAL

A-C38, B-C45

A-C38, B-C45

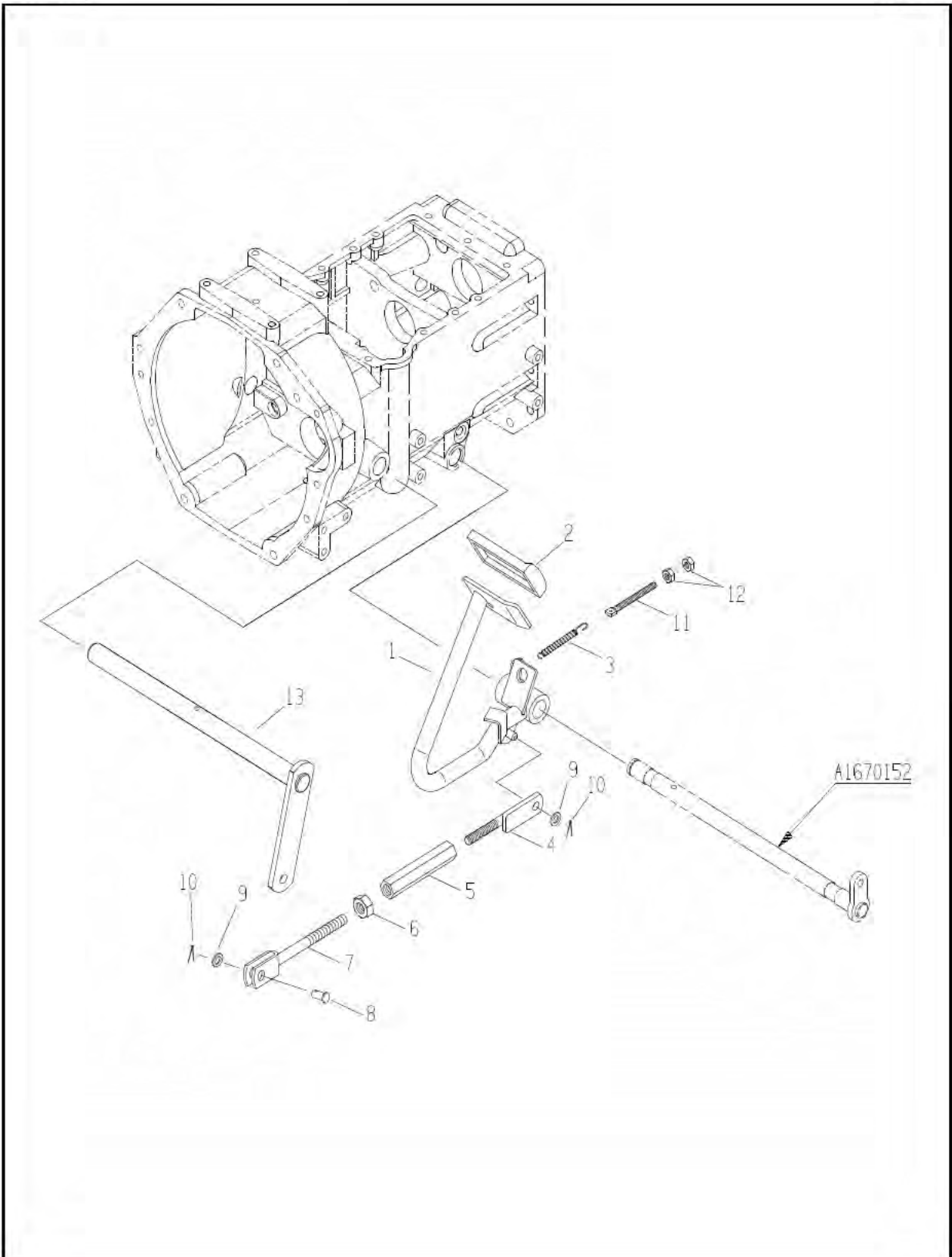
FIG. 3-3

NO.	PART NO.	PART NAME & DESCRIPTION	QTY			APP. NO	REM.
			A	B	C		
1	A1260066	PEDAL, CLUTCH	1	1			
2	A1670084	PAD, CLUTCH PEDAL	1	1			
3	A1260118	SPRING, RETURN	1	1			
4-7	A1260054	CLUTCH LINK ASSY	1	1			
4	A1260052	LINK(B)	1	1			
5	A1260027	JOINT	1	1			
6	S306100013	NUT, HEX	M10x1.25	1	1		
7	A1260055	LINK(A)		1	1		
8	S427102013	PIN, CLEVIS	D10x20L	1	1		
9	S364100013	WASHER, PLAIN	OD21xID10.5x2.0t	2	2		
10	S441252013	PIN, SPLIT	D2.5x20L	2	2		
11	A1260073	BOLT, ADJUST	M8x1.25	1	1		
12	S313080043	NUT, HEX.	M8x1.25	2	2		
13	A1260105	SHAFT, CLUTCH LEVER		1	1		
14	A1260096	SPRING, CLUTCH PEDAL LOCK		1	1		
15	A1260097	HOOK, CLUTCH PEDAL		1	1		
16	A1260098	BRACKET, CLUTCH PEDAL HOOK		1	1		

CLUTCH PEDAL

FIG. 3-3

G. 260



CLUTCH PEDAL

A-C38, B-C45

A-C38, B-C45

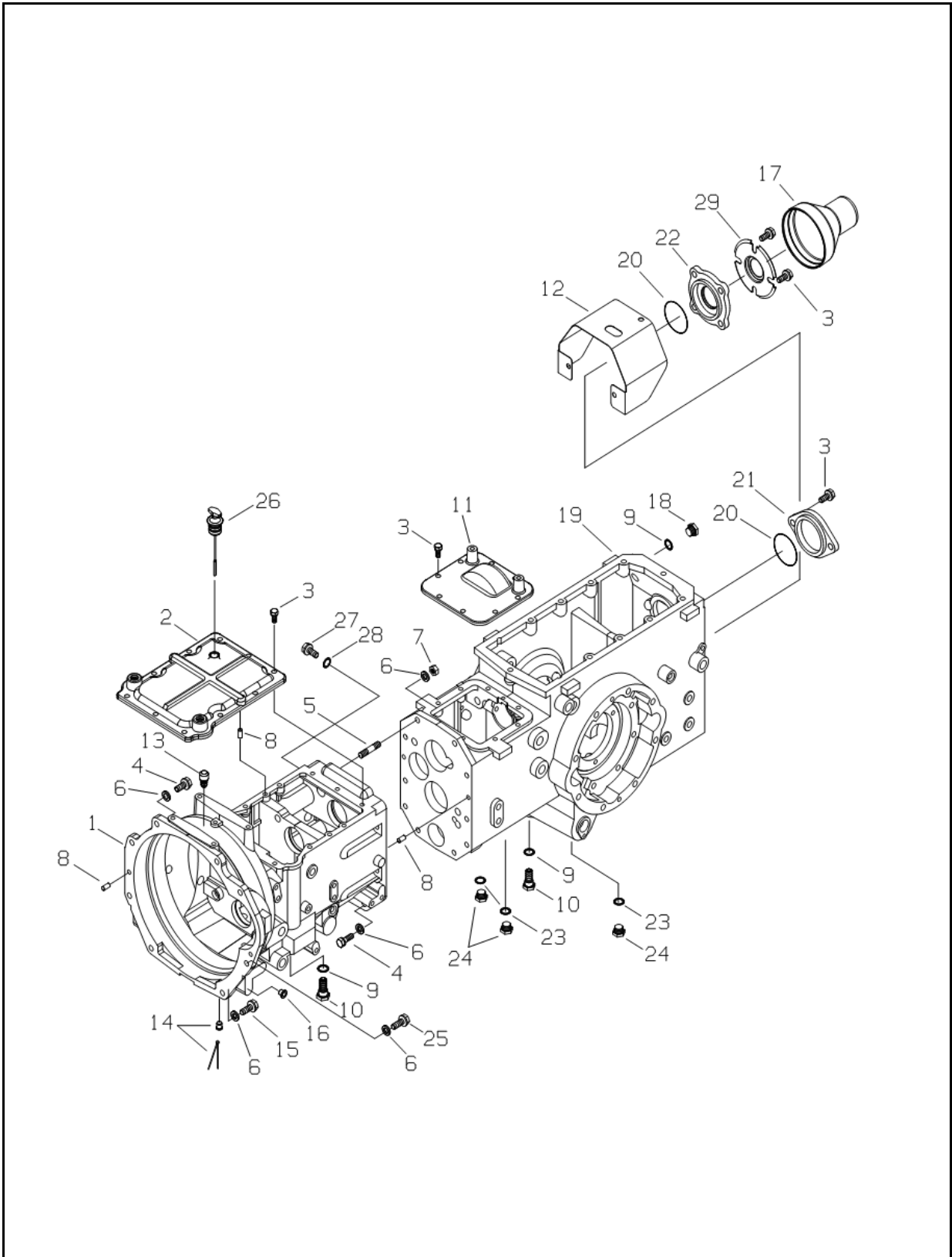
FIG. 3-3

NO.	PART NO.	PART NAME & DESCRIPTION	QTY			APP. NO	REM.
			A	B	C		
1	A1260066	PEDAL, CLUTCH	1	1			
2	A1670084	PAD, CLUTCH PEDAL	1	1			
3	A1260118	SPRING, RETURN	1	1			
4-7	A1260054	CLUTCH LINK ASSY	1	1			
4	A1260052	LINK(B)	1	1			
5	A1260027	JOINT	1	1			
6	S306100013	NUT, HEX	M10x1.25	1	1		
7	A1260055	LINK(A)		1	1		
8	S427102013	PIN, CLEVIS	D10x20L	1	1		
9	S363100013	WASHER, PLAIN	OD18xID10.5x2.0t	2	2		
10	S441302013	PIN, COTTER	D3.0x20L	2	2		
11	A1260073	ADJUSTER	M8x1.25	1	1		
12	S301080043	NUT, HEX.	M8x1.25	2	2		
13	A1260056	SHAFT, CLUTCH LEVER		1	1		

TRANSMISSION CASE

FIG. 3-4

G. 250, 280



TRANSMISSION CASE

A-C38, B-C45

A-C38, B-C45

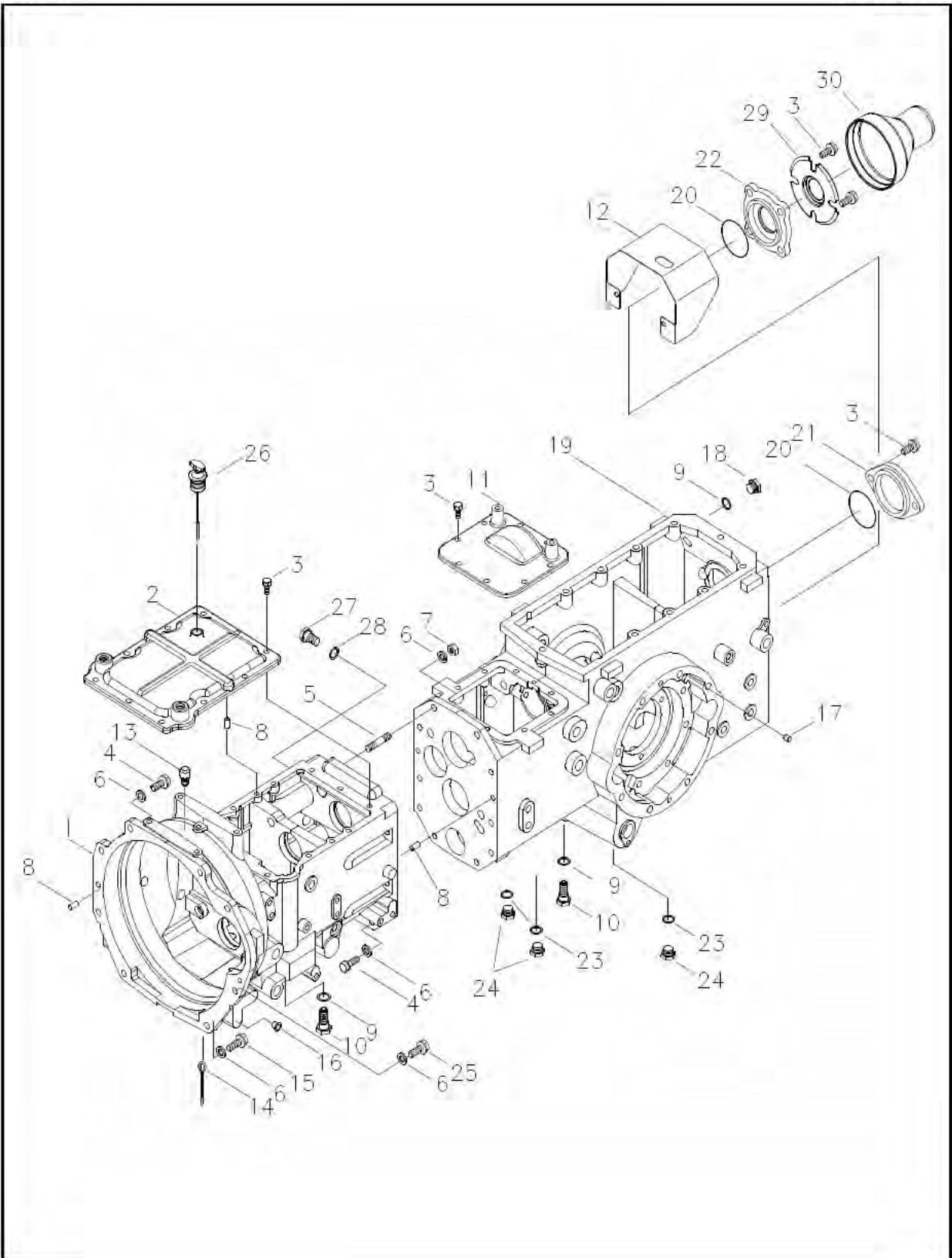
FIG. 3-4

NO.	PART NO.	PART NAME & DESCRIPTION	QTY			APP. NO	REM.
			A	B	C		
1	A1250120	HOUSING, CLUTCH	1	1			
2	A1292144	COVER, CLUTCH HOUSING	1	1			
3	S154102533	BOLT, HEX	M10x1.25x25L	24	24		
4	S105123543	BOLT, HEX	M12x1.75x35L	8	8		
5	S139123523	BOLT, STUD	M12x1.75x35L	2	2		
6	S361120013	WASHER, SPRING	OD21.5xID12.2x3t	18	18		
7	S305120013	NUT, HEX	M12x1.75	2	2		
8	S423102010	PIN, DOWEL	D10x20	6	6		
9	A10263360	SEAL	OD20xID26x1.5t	3	3		
10	3A1250013	PLUG, MAGNET		2	2		
11	A1280088	COVER, AXLE CASE		1	1		
12	A1280092	SHIELD, PTO		1	*		
	A1280165	SHIELD, PTO		*	1		EC
13	A1250049	AIR VENT		1	1		
14	3A1250009	PLUG		1	1		RICE
	A1250123	PIN,SPLIT	D12	1	1		
15	S105124543	BOLT, HEX SMALL	M12x1.75x45L	1	1		
16	3A1970068	PLUG		6	6		
17	A05171520	COVER, SAFETY		1	1		
18	A0610281	PLUG, DRAIN		1	1		
19	A1280171	CASE, AXLE		1	1		
20	S804070010	O-RING	D69.5xW2.0	2	2		
21	A1280090	COVER, PTO DRV SHAFT		1	1		
22	A1280115	COVER, PTO SHAFT		1	1		
23	Q0650006	GASKET	OD26xID18x1.0t	3	3		
24	A1280116	PLUG, DRAIN	M18x1.5	3	3		
25	A1280145	BOLT, HEX, F-THRD		2	2		
26	A1280110	GUAGE, OIL LEVEL		1	1		
27	A1822080	PLUG	PF3/8	1	1		
28	A1823245	SEAL, BONDED	φ16.8x1.5t	1	1		
29	A1280184	GUIDE, PTO COVER		1	1		

TRANSMISSION CASE

FIG. 3-4

G. 250, 280



TRANSMISSION CASE

A-C38, B-C45

A-C38, B-C45

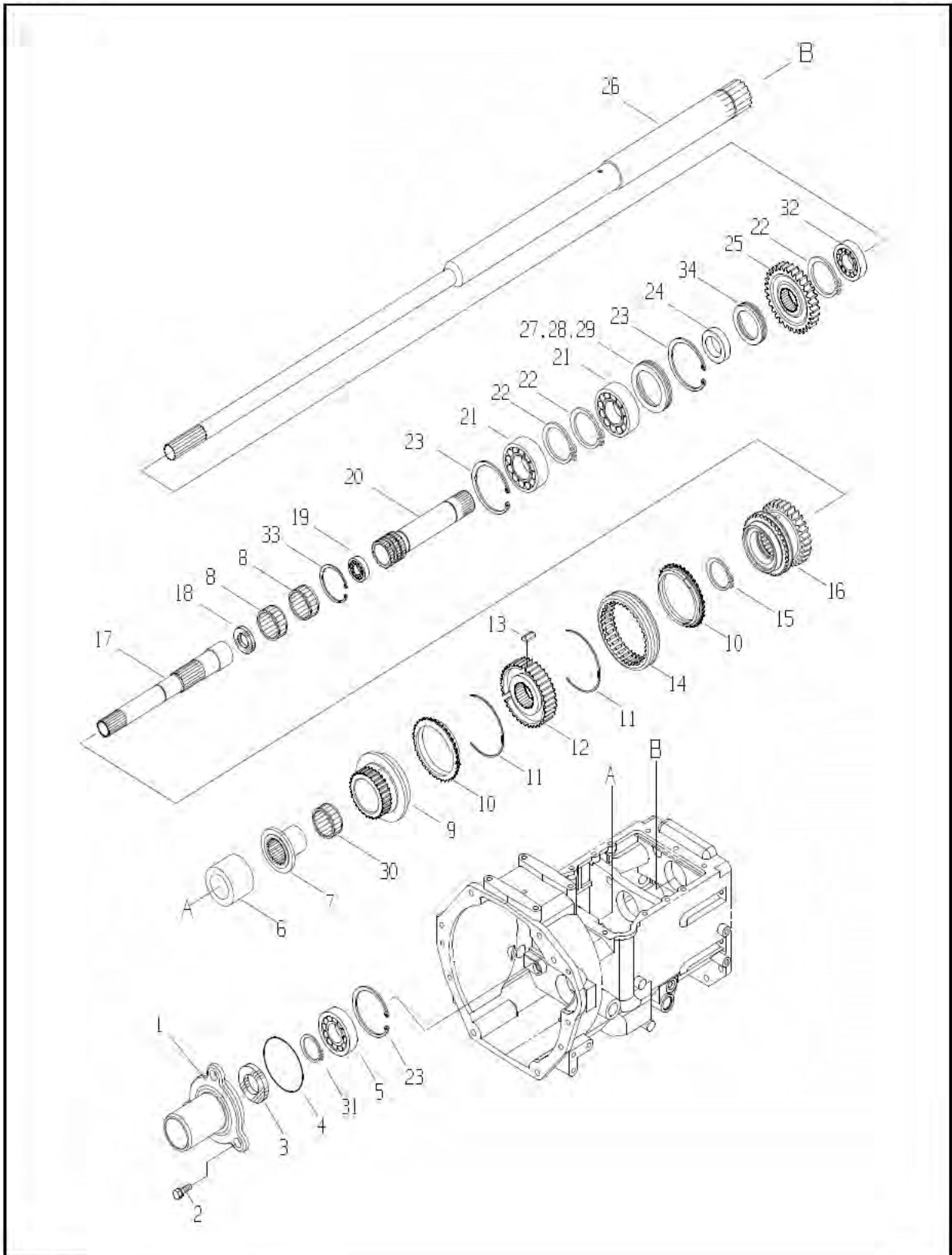
FIG. 3-4

NO.	PART NO.	PART NAME & DESCRIPTION	QTY			APP. NO	REM.
			A	B	C		
1	A1250120	HOUSING, CLUTCH	1	1			
2	A1292144	COVER, CLUTCH HOUSING	1	1			
3	S154102533	BOLT, HEX	24	24			
4	S105123543	BOLT, HEX	8	8			
5	S139123523	BOLT, STUD	2	2			
6	S361120013	WASHER, SPRING	18	18			
7	S305120013	NUT, HEX	2	2			
8	S423102010	PIN, DOWEL	6	6			
9	A10263360	SEAL	3	3			
10	3A1250013	PLUG, MAGNET	2	2			
11	A1280088	COVER, AXLE CASE	1	1			
12	A1280165	SHIELD, PTO	1	1			
13	A1250049	AIR VENT	1	1			
14	A1250123	PIN,SPLIT	1	1			
15	S105124543	BOLT, HEX SMALL	1	1			
16	3A1970068	PLUG	6	6			
17	A1280046	BREATHER, AIR	2	2			
18	A0610281	PLUG, DRAIN	1	1			
19	A1280171	CASE, AXLE	1	1			
20	S804070010	O-RING	2	2			
21	A1280090	COVER, PTO DRV SHAFT	1	1			
22	A1280115	COVER, PTO SHAFT	1	1			
23	Q0650006	GASKET	3	3			
24	A1280116	PLUG, DRAIN	3	3			
25	A1280145	BOLT, HEX, F-THRD	2	2			
26	A1280110	GUAGE, OIL LEVEL	1	1			
27	A1822080	PLUG	1	1			
28	A1823245	SEAL, BONDED	1	1			
29	A1280184	GUIDE	1	1			
30	A05171520	COVER, SAFETY	1	1			

MAIN SHAFT

FIG. 3-5

G. 281



MAIN SHAFT

A-C38, B-C45

A-C38, B-C45

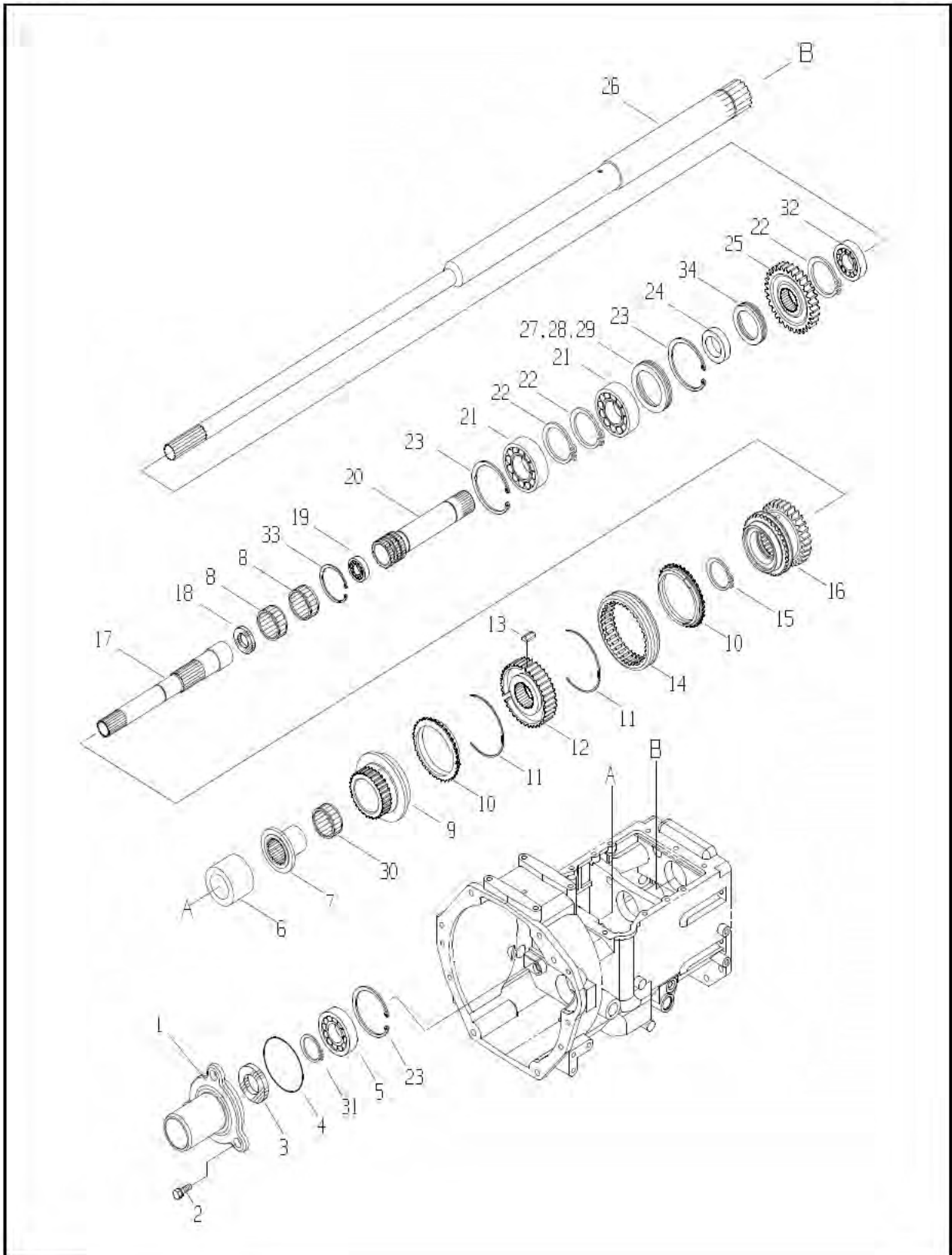
FIG. 3-5

NO.	PART NO.	PART NAME & DESCRIPTION		QTY			APP. NO	REM.
				A	B	C		
1	A1280101	COVER, MAIN SHAFT		1	1			
2	S154102033	BOLT, HEX	M10x1.25x30	3	3			
3	A0651302	SEAL, OIL	TC30458(OD45xID30x8)	1	1			
4	S804060010	O-RING	S60(D60xW2.0)	1	1			
5	A0862060	BEARING, BALL	#6206(OD62xID30x16)	1	1			
6	A1281423	SPACER	OD40xID30x22L	1	1			
7	A1281424	SLEEVE		1	1			
8	A1281165	BEARING, NEEDLE	OD40xID35x13	2	2			
9	A1281422	GEAR, MAIN 25T		1	1			
10	A1281354	RING, SYNCHRO		2	2			
11	3A1281021	SPRING		2	2			
12	A1281384	HUB, F-R SHIFT		1	1			
13	3A1281020	PIECE		3	3			
14	A1281361	SLEEVE		1	1			
15	S810032001	RING, SNAP	D32x1.2t	1	1			
16	A1281482	GEAR, MAIN 30T		1	1			
17	A1281426	SHAFT, MAIN		1	1			
18	A0651201	SEAL, OIL	TC20307(OD30xID20x7)	1	1			
19	A0868040	BEARING, BALL	#6804(OD32xID20x7)	1	1			
20	A1281485	SHAFT, REVERSE DRIVE		1	1			
21	A0869080	BEARING, BALL	#6908(OD62xID40x12)	2	2			
22	S810040001	RING, SNAP	D40x1.75t	3	3			
23	S811062001	RING, SNAP	D62x2t	3	3			
24	A1281481	SPACER	OD48xID40x10.5	1	1			
25	A1281496	GEAR, F-R DRIVE 39T		1	1			
26	A1283221	SHAFT, MAIN PTO		1	1			
27	A0870481	SHIM	OD50xID61x0.15t	1	1			
28	A0870482	SHIM	OD50xID61x0.2t	1	1			
29	A0870485	SHIM	OD50xID61x0.5t	1	1			
30	3A1970157	BEARING, NEEDLE	OD45xID40x27	1	1			
31	S810030001	RING, SNAP	D30x1.5t	1	1			
32	A0868041	BEARING, BALL	#6804(Z)(OD32xID20x7)	1	1			
33	S811032001	RING, SNAP	D32x1.2t	1	1			
34	A0870461	SHIM	OD51xID41x0.15t	2	2			
	A0870462	SHIM	OD51xID41x0.2t	1	1			

MAIN SHAFT

FIG. 3-5

G. 281



MAIN SHAFT

A-C38, B-C45

A-C38, B-C45

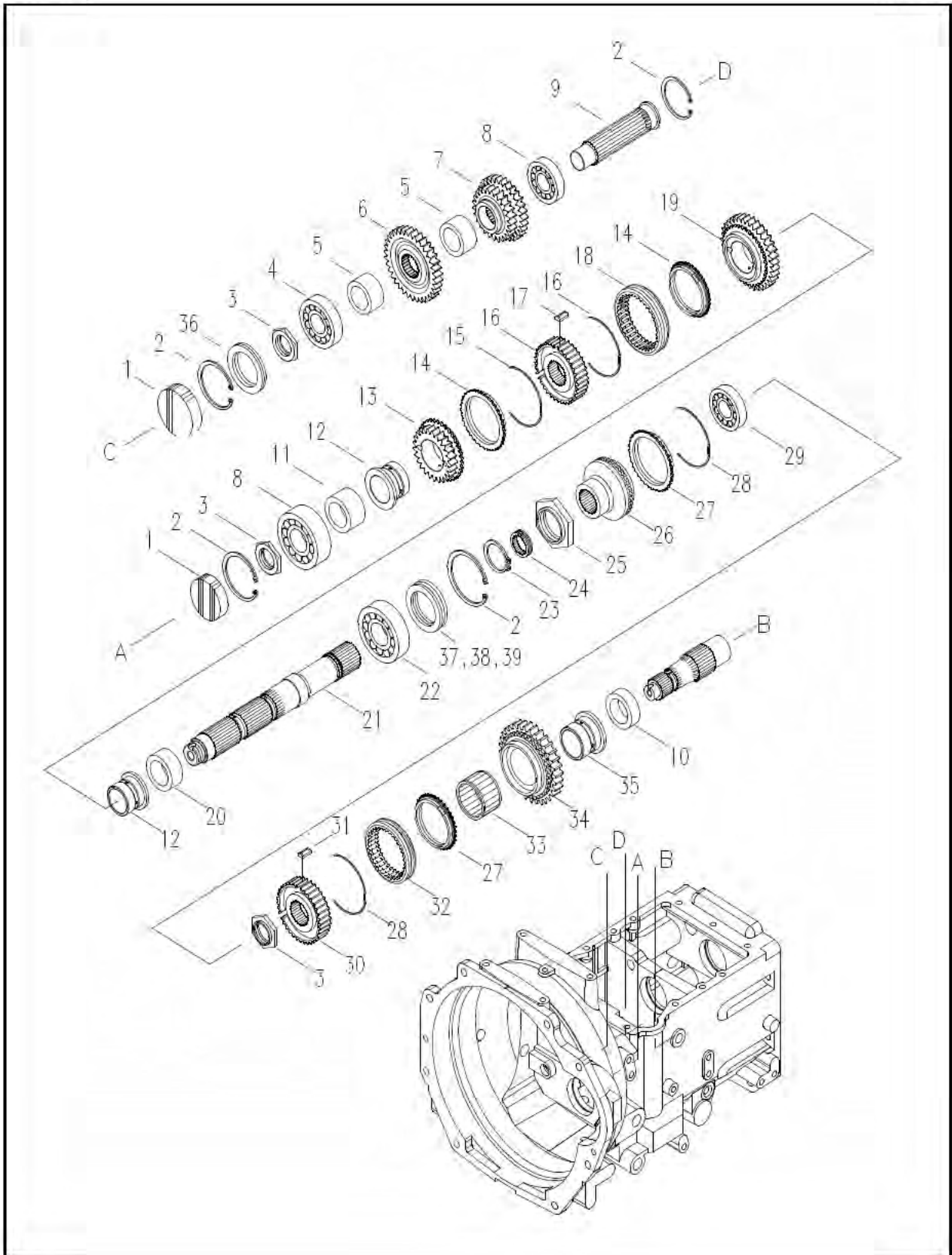
FIG. 3-5

NO.	PART NO.	PART NAME & DESCRIPTION		QTY			APP. NO	REM.
				A	B	C		
1	A1280101	COVER, MAIN SHAFT		1	1			
2	S154102033	BOLT, HEX	M10x1.25x30	3	3			
3	A0651302	SEAL, OIL	TC30458(OD45xID30x8)	1	1			
4	S804060010	O-RING	S60(D60xW2.0)	1	1			
5	A0862060	BEARING, BALL	#6206(OD62xID30x16)	1	1			
6	A1281423	SPACER	OD40xID30x22L	1	1			
7	A1281424	SLEEVE		1	1			
8	A1281165	BEARING, NEEDLE	OD40xID35x13	2	2			
9	A1281422	GEAR, MAIN 25T		1	1			
10	A1281354	RING, SYNCHRO		2	2			
11	3A1281021	SPRING		2	2			
12	A1281384	HUB, F-R SHIFT		1	1			
13	3A1281020	PIECE		3	3			
14	A1281361	SLEEVE		1	1			
15	S810032001	RING, SNAP	D32x1.2t	1	1			
16	A1281482	GEAR, MAIN 30T		1	1			
17	A1281426	SHAFT, MAIN		1	1			
18	A1283194	SEAL, OIL	TC20307(OD30xID20x7)	1	1			
19	A0868040	BEARING, BALL	#6804(OD32xID20x7)	1	1			
20	A1281485	SHAFT, REVERSE DRIVE		1	1			
21	A0869080	BEARING, BALL	#6908(OD62xID40x12)	2	2			
22	S810040001	RING, SNAP	D40x1.75t	3	3			
23	S811062001	RING, SNAP	D62x2t	3	3			
24	A1281481	SPACER	OD48xID40x10.5	1	1			
25	A1281496	GEAR, F-R DRIVE 39T		1	1			
26	A1283221	SHAFT, MAIN PTO		1	1			
27	A0870481	SHIM	OD50xID61x0.15t	1	1			
28	A0870482	SHIM	OD50xID61x0.2t	1	1			
29	A0870485	SHIM	OD50xID61x0.5t	1	1			
30	3A1970157	BEARING, NEEDLE	OD45xID40x27	1	1			
31	S810030001	RING, SNAP	D30x1.5t	1	1			
32	A0868041	BEARING, BALL	#6804(Z)(OD32xID20x7)	1	1			
33	S811032001	RING, SNAP	D32x1.2t	1	1			
34	A0870461	SHIM	OD51xID41x0.15t	2	2			
	A0870462	SHIM	OD51xID41x0.2t	1	1			

MAIN GEAR SHAFT

FIG. 3-6

G. 281



MAIN GEAR SHAFT

A-C38, B-C45

A-C38, B-C45

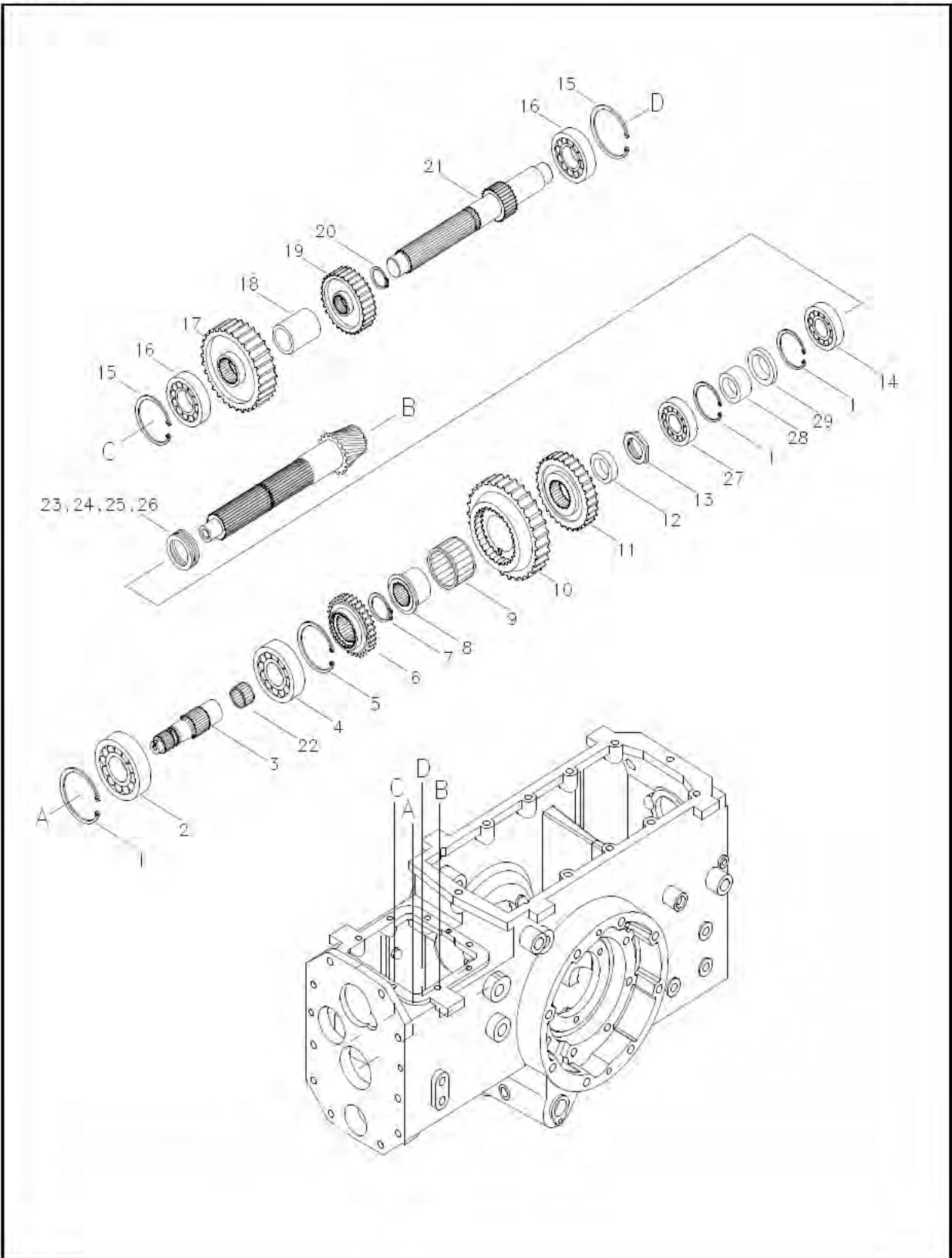
FIG. 3-6

NO.	PART NO.	PART NAME & DESCRIPTION		QTY			APP. NO	REM.
				A	B	C		
1	A1283016	CAP, RUBBER	D62	2	2			
2	S811062001	RING, SNAP	D66.2x2t	4	4			
3	A1281034	NUT, LOCK	M25x1.5	3	3			
4	A0863050	BEARING, BALL	#0863	1	1			
5	A1281507	SPACER	OD42.7xID30X32	2	2			
6	A1281576	GEAR, MAIN 35T	#6206	1	1			
7	A1281577	GEAR, MAIN 25-30T		1	1			
8	A0862060	BEARING, BALL		2	2			
9	A1281502	SHAFT, MAIN 2ND		1	1			
10	A1281319	SPACER		OD45xID35x9.5	1	1		
11	A1281324	SPACER	OD45xID33x30	1	1			
12	A1281297	SLEEVE		2	2			
13	A1281578	GEAR, M/DRVN 25T		1	1			
14	A1281354	RING		2	2			
15	3A1281021	SPRING		2	2			
16	A1281384	HUB	OD33xID45x30	1	1			
17	3A1281020	PIECE		3	3			
18	A1281361	SLEEVE, SHIFT		2	2			
19	A1281579	GEAR, M/DRVN 35T		1	1			
20	A1281323	SPACER		1	1			
21	A1281273	SHAFT, MAIN 3RD		1	1			
22	A0860070	BEARING, BALL	#6007(OD62xID35x14)	1	1			
23	S810032001	RING, SNAP	D29.6x1.2t	1	1			
24	A1281161	SLEEVE		1	1			
25	A0610282	NUT, LOCK	M42x1.5	1	1			
26	A1281446	HUB, SYNCHRO. CLUTCH	D85x65	1	1			
27	A5000053	RING		2	2			
28	A1281398	SPRING		2	2			
29	A0860040	BEARING, BALL	#6004(OD42xID20x12)	1	1			
30	A1281449	HUB		1	1			
31	A1281399	STRUT	OD45xID40x27	3	3			
32	A1281396	SLEEVE, SHIFT		1	1			
33	3A1970157	BEARING, NEEDLE		1	1			
34	A1281447	GEAR, F-R DRIVEN 43T		1	1			
35	A1281046	SLEEVE, GEAR		1	1			
36	A0870488	SHIM	OD50xID61x0.15t	2	2			
37	A0870481	SHIM		AR	AR			
38	A0870482	SHIM	OD50xID61x0.2t	AR	AR			
39	A0870485	SHIM	OD50xID61x0.5t	AR	AR			

RANGE SHIFT SHAFT

FIG. 3-7

G. 285



RANGE SHIFT SHAFT

A-C38, B-C45

A-C38, B-C45

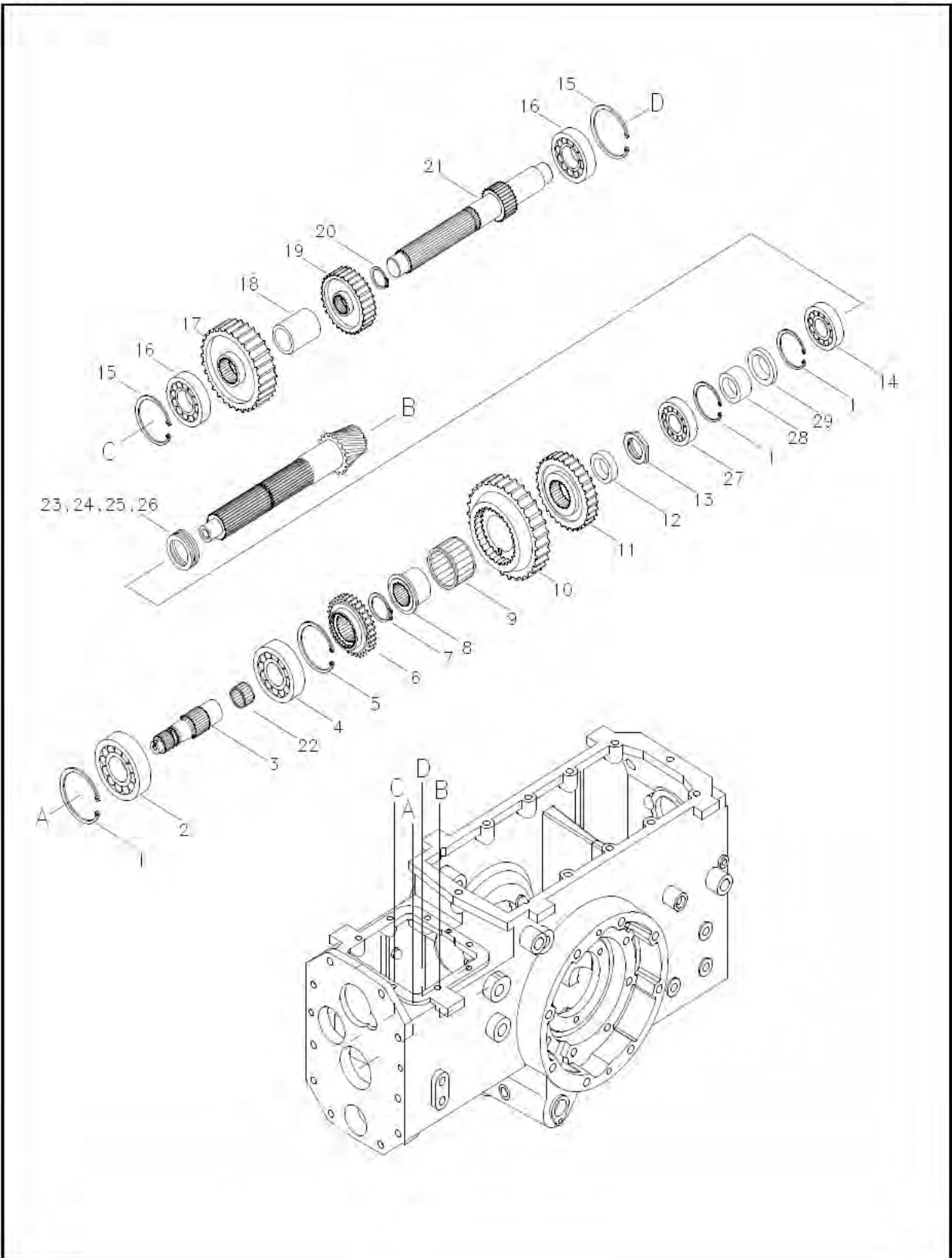
FIG. 3-7

NO.	PART NO.	PART NAME & DESCRIPTION		QTY			APP. NO	REM.
				A	B	C		
1	S811072001	RING, SNAP	D76.5x2.5t	3	3			
2	A0862070	BEARING, BALL	#6207(OD72xID35x17)	1	1			
3	A1285153	SHAFT, SUB DRIVE W/GEAR 14T		1	1			
4	A0860080	BEARING, BALL	#6008(OD68xID40x15)	1	1			
5	S811068001	RING, SNAP	D72.5x2.5t	1	1			
6	A1285156	GEAR, SUB SELECTOR 30T		1	1			
7	S810032001	RING, SNAP	D29.6x1.5t	1	1			
8	A1281303	SLEEVE, F-R		1	1			
9	3A1970157	BEARING, NEEDLE	OD45xID40x27	1	1			
10	A1285141	GEAR, LOW DRIVEN 45T		1	1			
11	A1288063	GEAR, 4WD DRIVE 34T		1	1			
12	A1281319	SPACER	OD45xID35x9.5	1	1			
13	A1287079	NUT, LOCK	M35x1.5	1	1			
14	A1326032	BEARING, TAPER	#32207C(OD72xID35x23)	1	1			
15	S811062001	RING, SNAP	D66.2x2t	2	2			
16	A0863050	BEARING, BALL	#6305(OD62xID25x17)	2	2			
17	A1285154	GEAR, SUB DRIVEN 46T		1	1			
18	A1285151	SPACER	D30x71.5L	1	1			
19	A1285155	GEAR, SUB DRIVEN 30T		1	1			
20	S810030001	RING, SNAP	D27.9x1.5t	1	1			
21	A1285150	SHAFT, SUB DRIVE W/GEAR 14T		1	1			
22	A1970274	BEARING, NEEDLE	K20x26x20	1	1			
23	A0870451	SHIM	OD46xID36x0.15t	1	1			
24	A0870452	SHIM	OD46xID36x0.2t	1	1			
25	A0870455	SHIM	OD46xID36x0.5t	1	1			
26	A0870458	SHIM	OD46xID36x1.0t	1	1			
27	A1326067	BEARING, TAPER		1	1			
28	A1326068	SPACER		1	1			
29	A1326069	SPACER		1	1			

RANGE SHIFT SHAFT

FIG. 3-7

G. 285



RANGE SHIFT SHAFT

A-C38, B-C45

A-C38, B-C45

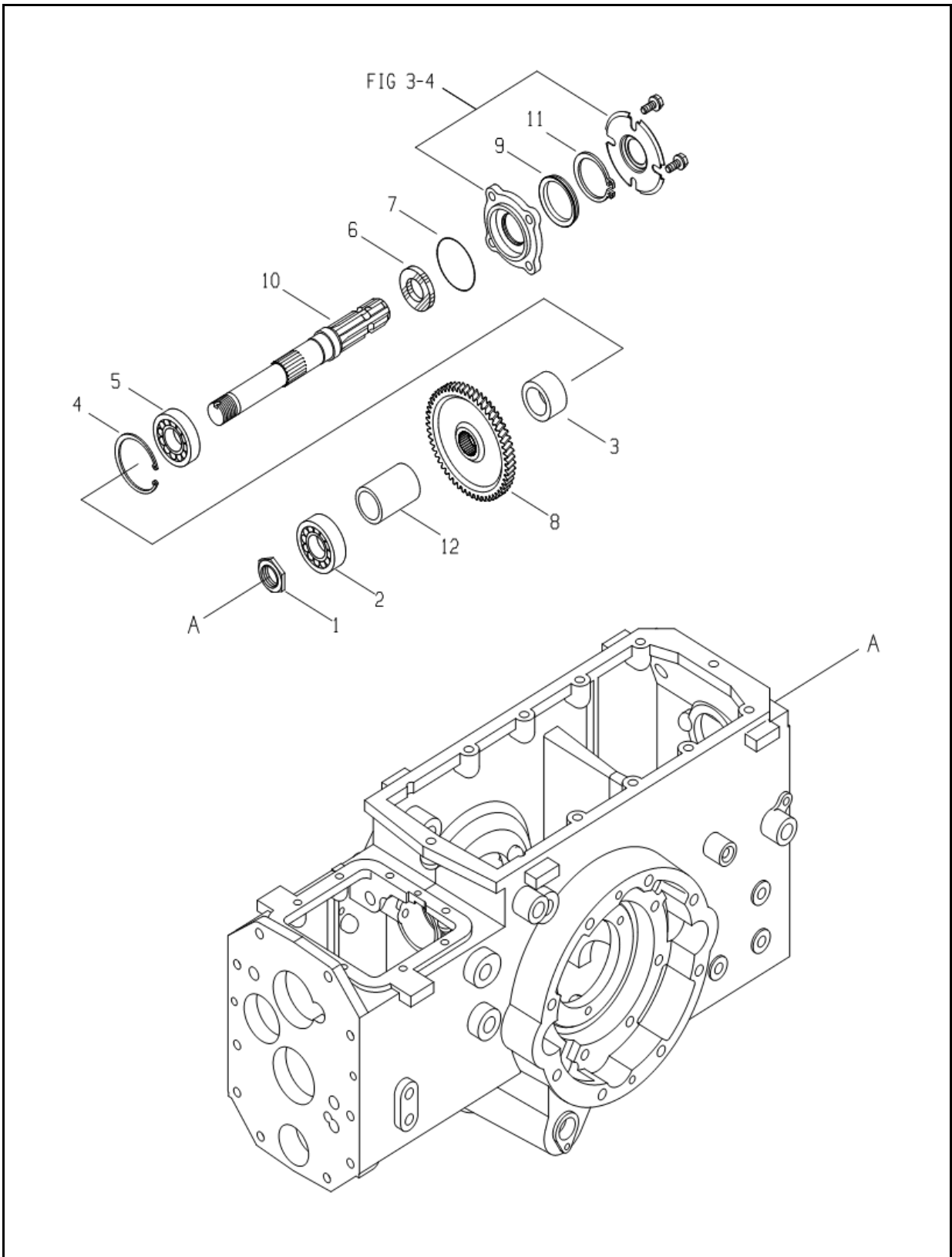
FIG. 3-7

NO.	PART NO.	PART NAME & DESCRIPTION		QTY			APP. NO	REM.
				A	B	C		
1	S811072001	RING, SNAP	D76.5x2.5t	3	3			
2	A0862070	BEARING, BALL	#6207(OD72xID35x17)	1	1			
3	A1285160	SHAFT, SUB DRIVE W/GEAR 14T		1	1			
4	A0860080	BEARING, BALL	#6008(OD68xID40x15)	1	1			
5	S811068001	RING, SNAP	D72.5x2.5t	1	1			
6	A1285149	GEAR, SUB SELECTOR 30T		1	1			
7	S810032001	RING, SNAP	D29.6x1.5t	1	1			
8	A1281303	SLEEVE, F-R		1	1			
9	3A1970157	BEARING, NEEDLE	OD45xID40x27	1	1			
10	A1285141	GEAR, LOW DRIVEN 45T		1	1			
11	A1288063	GEAR, 4WD DRIVE 34T		1	1			
12	A1281319	SPACER	OD45xID35x9.5	1	1			
13	A1287079	NUT, LOCK	M35x1.5	1	1			
14	A1326032	BEARING, TAPER	#32207C(OD72xID35x23)	1	1			
15	S811062001	RING, SNAP	D66.2x2t	2	2			
16	A0863050	BEARING, BALL	#6305(OD62xID25x17)	2	2			
17	A1285138	GEAR, SUB DRIVEN 46T		1	1			
18	A1285151	SPACER	D30x71.5L	1	1			
19	A1285139	GEAR, SUB DRIVEN 30T		1	1			
20	S810030001	RING, SNAP	D27.9x1.5t	1	1			
21	A1285150	SHAFT, SUB DRIVE W/GEAR 14T		1	1			
22	A1970274	BEARING, NEEDLE	K20x26x20	1	1			
23	A0870451	SHIM	OD46xID36x0.15t	1	1			
24	A0870452	SHIM	OD46xID36x0.2t	1	1			
25	A0870455	SHIM	OD46xID36x0.5t	1	1			
26	A0870458	SHIM	OD46xID36x1.0t	1	1			
27	A1326067	BEARING, TAPER		1	1			
28	A1326068	SPACER		1	1			
29	A1326069	SPACER		1	1			

PTO SHAFT

FIG. 3-9B

G. 287



PTO SHAFT

A-C38, B-C45

A-C38, B-C45

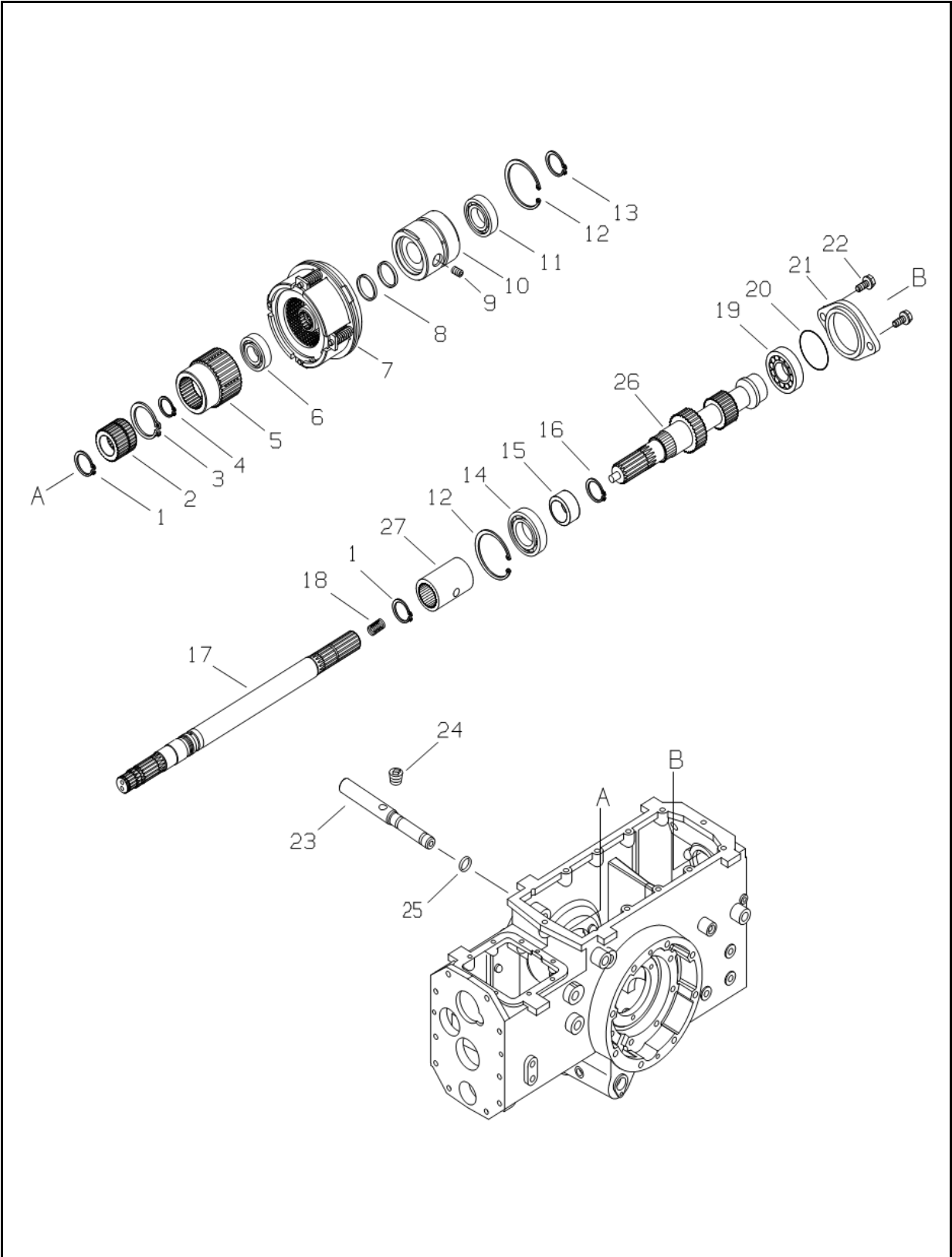
FIG. 3-9B EX, AG, TF (PTO1)

NO.	PART NO.	PART NAME & DESCRIPTION		QTY			APP. NO	REM.
				A	B	C		
1	A1287179	NUT, LOCK	M30x1.5	1	1			
2	A0863060	BEARING, BALL	#6306(OD72xID30x19)	1	1			
3	A1281192	SPACER	OD50xID33x44.5L	1	1			
4	S811072001	RING, SNAP	D72x2.5t	1	1			
5	A0862070	BEARING, BALL	#6207(OD72xID35x17)	1	1			
6	A1287211	SEAL, OIL	OD62xID40x11.5	1	1			
7	S804070010	O-RING	D69.5xW2	1	1			
8	A1287313	GEAR(56T),PTO 1ST DRIVEN		1	1			
9	A0653232	SEAL, DUST		1	1			
10	A1287218	SHAFT, PTO		1	1			
11	S810036001	RING, SNAP		1	1			
12	A1287215	SPACER	OD42xID33x87L	1	1			

PTO DRIVE SHAFT

FIG. 3-10B

G. 283, 287



PTO DRIVE SHAFT

A-C38, B-C45

A-C38, B-C45

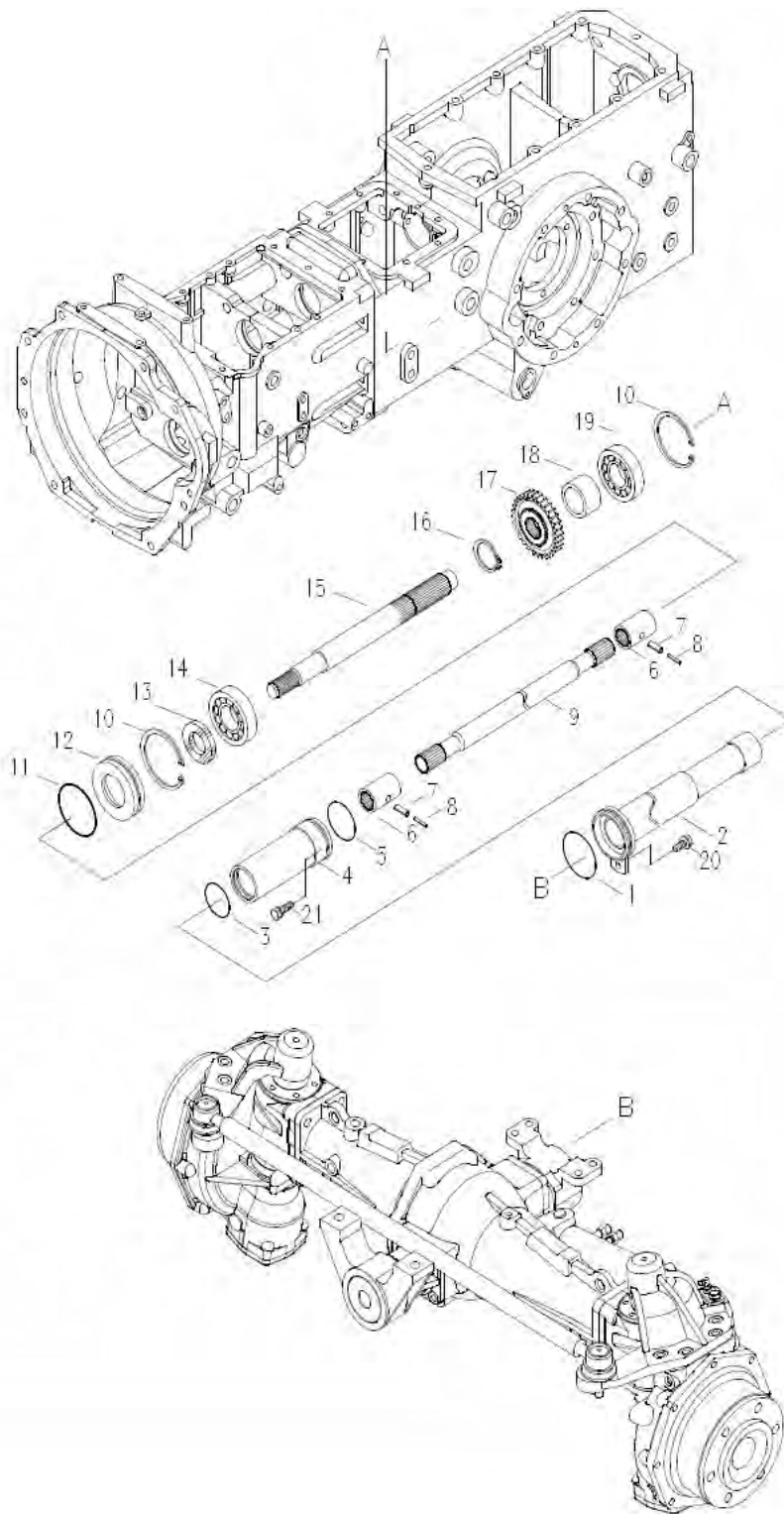
FIG. 3-10B EX, AG, TF (PTO1)

NO.	PART NO.	PART NAME & DESCRIPTION	QTY			APP. NO	REM.
			A	B	C		
1	S810022001	RING, SNAP	D22X1.2T	2	2		
2	A1287290	JOINT		1	1		
3	S810040001	RING, SNAP	D37xW1.75	1	1		
4	S810020001	RING, SNAP		1	1		
5	A1287289	HUB, PTO CLUTCH		1	1		
6	A0860040	BEARING, BALL		1	1		
7	A1287283	CLUTCH ASSY, PTO		1	1		
8	A1281229	RING, PISTON	D25.14X2.5	2	2		
9	S202082021	SCREW, SET. SOC	M8X1.25X20L	1	1		
10	A1287299	SLEEVE, HYD. CIRCUIT		1	1		
11	A0860051	BEARING, BALL		1	1		
12	S811062001	RING, SNAP	D62X2T	2	2		
13	S810025001	RING, SNAP	D25X1.2T	1	1		
14	A0863050	BEARING, BALL		1	1		
15	A1287213	SPACER		1	1		
16	S810030001	RING, SNAP	D57.9xW1.5	1	1		
17	A1287293	SHAFT, PTO DRIVE		1	1		
18	3A1290011	SPRING		1	1		
19	A0863060	BEARING, BALL		1	1		
20	S804070010	O-RING	S70(D70XW2.0)	1	1		
21	A1280090	COVER, PTO SHAFT		1	1		
22	S154102533	BOLT, HEX	M10X1.25X25L	2	2		
23	A1287298	PIPE, H/CLUTCH INPUT		1	1		
24	3A1970052	PLUG	PT 3/8	1	1		
25	S804008010	O-RING	D1.5xW7.5	2	2		
26	A1287295	SHAFT, PTO DRIVE		1	1		
27	A1288028	JOINT		1	1		

FRONT WHEEL DRIVE

FIG. 3-12

G. 288, 380



FRONT WHEEL DRIVE

A-C38, B-C45

A-C38, B-C45

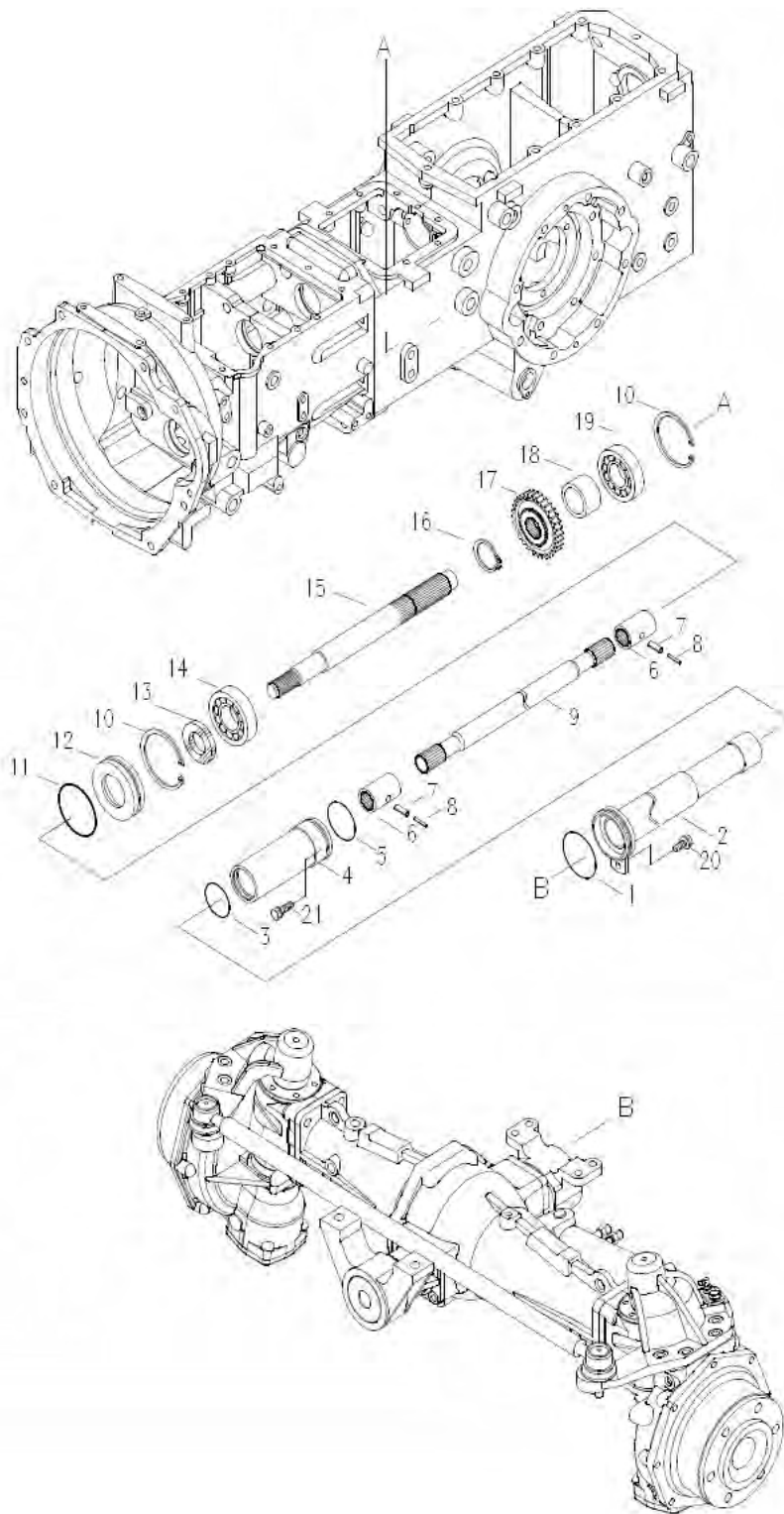
FIG. 3-12

NO.	PART NO.	PART NAME & DESCRIPTION		QTY			APP. NO	REM.
				A	B	C		
1	S802060010	O-RING	D59.4xW3.1	1	1			
2	A1380018	COVER, 4WD FRONT		1	1			
3	S802040010	O-RING	G40(D39.4xW3.1)	1	1			
4	A1380016	COVER, 4WD		1	1			
5	S801046010	O-RING	D45.7xW3.5	1	1			
6-8	A1288044	JOINT ASSY. 4WD		2	2			
6	A1288028	JOINT, 4WD		1	1			
7	S446053210	PIN, SPRING	D5x32	1	1			
8	S446033210	PIN, SPRING	D3x32	1	1			
9	A1288071	SHAFT, 4WD FRONT		1	1			
10	S811052001	RING, SNAP	D56.2x2t	2	2			
11	S801046010	O-RING	D45.7xW3.5	1	1			
12	A1288043	HOUSING, SEAL	D52	1	1			
13	A0651253	SEAL, OIL	TC25-3(OD40xID25x8)	1	1			
14	A0862050	BEARING, BALL	#6205(OD52xID25x15)	1	1			
15	A1288061	SHAFT, 4WD		1	1			
16	S810030001	RING, SNAP	D27.9x1.5t	1	1			
17	A1288064	GEAR, 43T		1	1			
18	A1288065	SPACER	OD25xID35x25L	1	1			
19	A0862052	BEARING, BALL	#6205ZZ(OD52xID25x15)	1	1			
20	S153082533	BOLT, HEX	M8x1.25	1	1			
21	S154102033	BOLT, HEX	M10x1.25	1	1			

FRONT WHEEL DRIVE

FIG. 3-12

G. 288, 380



FRONT WHEEL DRIVE

A-C38, B-C45

A-C38, B-C45

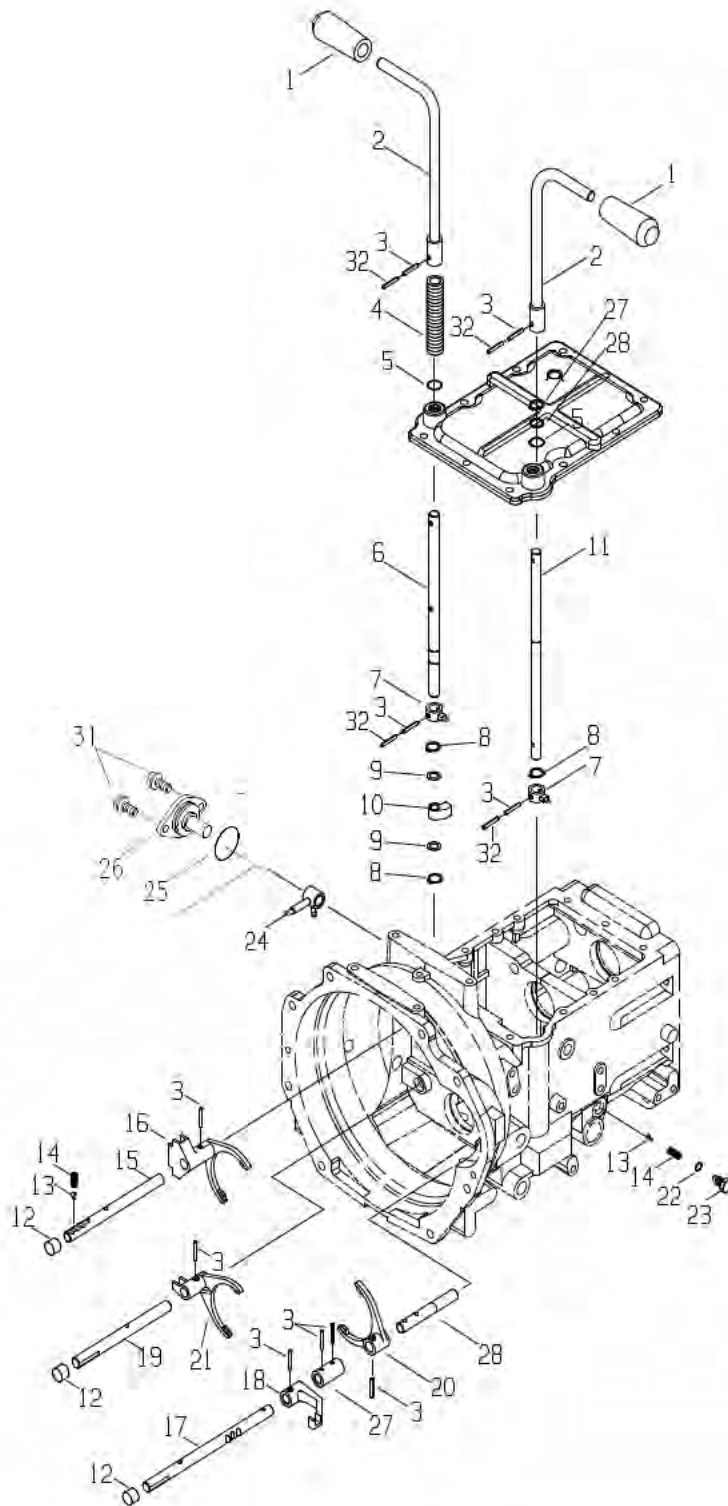
FIG. 3-12

NO.	PART NO.	PART NAME & DESCRIPTION		QTY			APP. NO	REM.
				A	B	C		
1	S802060010	O-RING	D59.4xW3.1	1	1			
2	A1380018	COVER, 4WD FRONT		1	1			
3	S802040010	O-RING	G40(D39.4xW3.1)	1	1			
4	A1380016	COVER, 4WD		1	1			
5	S801046010	O-RING	D45.7xW3.5	1	1			
6	A1288028	JOINT, 4WD		2	2			
7	S446053210	PIN, SPRING	D5x32	2	2			
8	S446033210	PIN, SPRING	D3x32	2	2			
9	A1288071	SHAFT, 4WD FRONT		1	1			
10	S811052001	RING, SNAP	D56.2x2t	2	2			
11	S801046010	O-RING	D45.7xW3.5	1	1			
12	A1288043	HOUSING, SEAL	D52	1	1			
13	A0651253	SEAL, OIL	TC25-3(OD40xID25x8)	1	1			
14	A0862050	BEARING, BALL	#6205(OD52xID25x15)	1	1			
15	A1288061	SHAFT, 4WD		1	1			
16	S810030001	RING, SNAP	D27.9x1.5t	1	1			
17	A1288064	GEAR, 43T		1	1			
18	A1288065	SPACER	OD25xID35x25L	1	1			
19	A0862052	BEARING, BALL	#6205ZZ(OD52xID25x15)	1	1			
20	S153082533	BOLT, HEX	M8x1.25	1	1			
21	S154102033	BOLT, HEX	M10x1.25	1	1			

SHIFT LEVER & FORK

FIG. 3-13

G. 290, 292



SHIFT LEVER & FORK

A-C38, B-C45

A-C38, B-C45

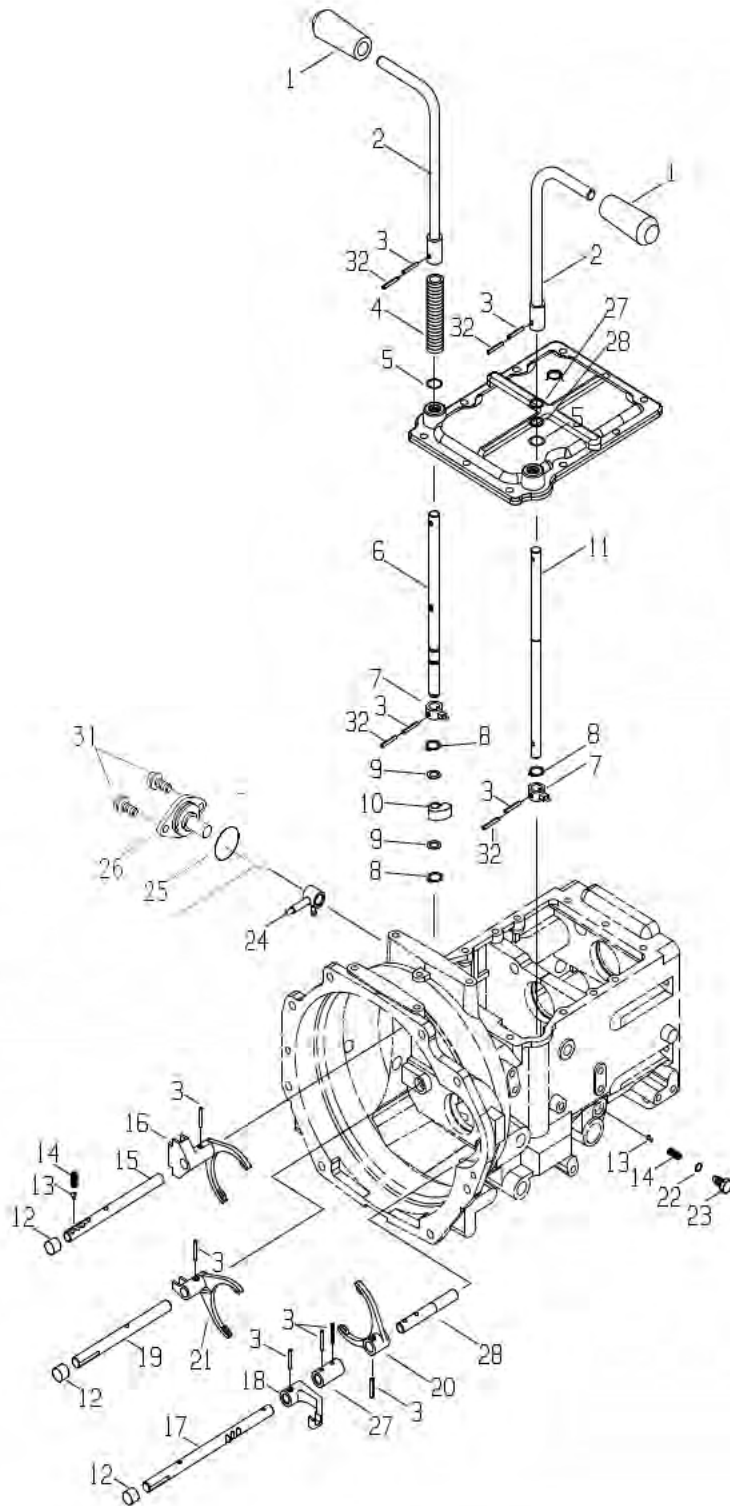
FIG. 3-13

NO.	PART NO.	PART NAME & DESCRIPTION	QTY			APP. NO	REM.
			A	B	C		
1	A1970275	GRIP	2	2			
2	A1292126	HAND LEVER, CHANGE	2	2			
3	S446062510	PIN, SPRING	10	10			
4	A1292129	SPRING	1	1			
5	S801016010	O-RING	2	2			
6	A1290102	LEVER, MAIN CHANGE	1	1			
7	A1290100	ARM, MAIN 1ST	2	2			
8	S810016001	RING, SNAP	3	3			
9	A0660026	SHIM	6	6			
10	A1290098	ADAPTER	1	1			
11	A1290101	LEVER, F-R	1	1			
12	3A1290009	CAP, RAIL	3	3			
13	A20063390	BALL, SHIFTER FORK	2	2			
14	3A1290011	SPRING	2	2			
15	A1290104	RIAL, MAIN 1ST	1	1			
16	A1290093	FORK, MAIN 1ST	1	1			
17	A1290116	RAIL, F-R	1	1			
18	A1290108	ADAPTER, F-R	1	1			
19	A1290106	RAIL, MAIN 2ND	1	1			
20	A1290115	FORK, F-R	1	1			
21	A1290094	FORK, MAIN 2ND	1	1			
22	S801010A10	O-RING	1	1			
23	A1291145	BOLT, RAIL	1	1			
24	A1290097	ARM, MAIN 2ND	1	1			
25	S801042010	O-RING	1	1			
26	A1290131	SUPPORT, ARM SHAFT	1	1			
27	A1290117	ADAPTER, F-R	1	1			
28	A1290111	RAIL, F-R 2ND	1	1			
29	S814015001	RING, SNAP(E) S.	1	1			
30	S364160013	WASHER, PLN. F-RD	1	1			
31	S154102033	BOLT, HEX. W/WASHER	2	2			
32	A0621025	PIN, SPRING	1	1			

SHIFT LEVER & FORK

FIG. 3-13

G. 290, 292



SHIFT LEVER & FORK

A-C38, B-C45

A-C38, B-C45

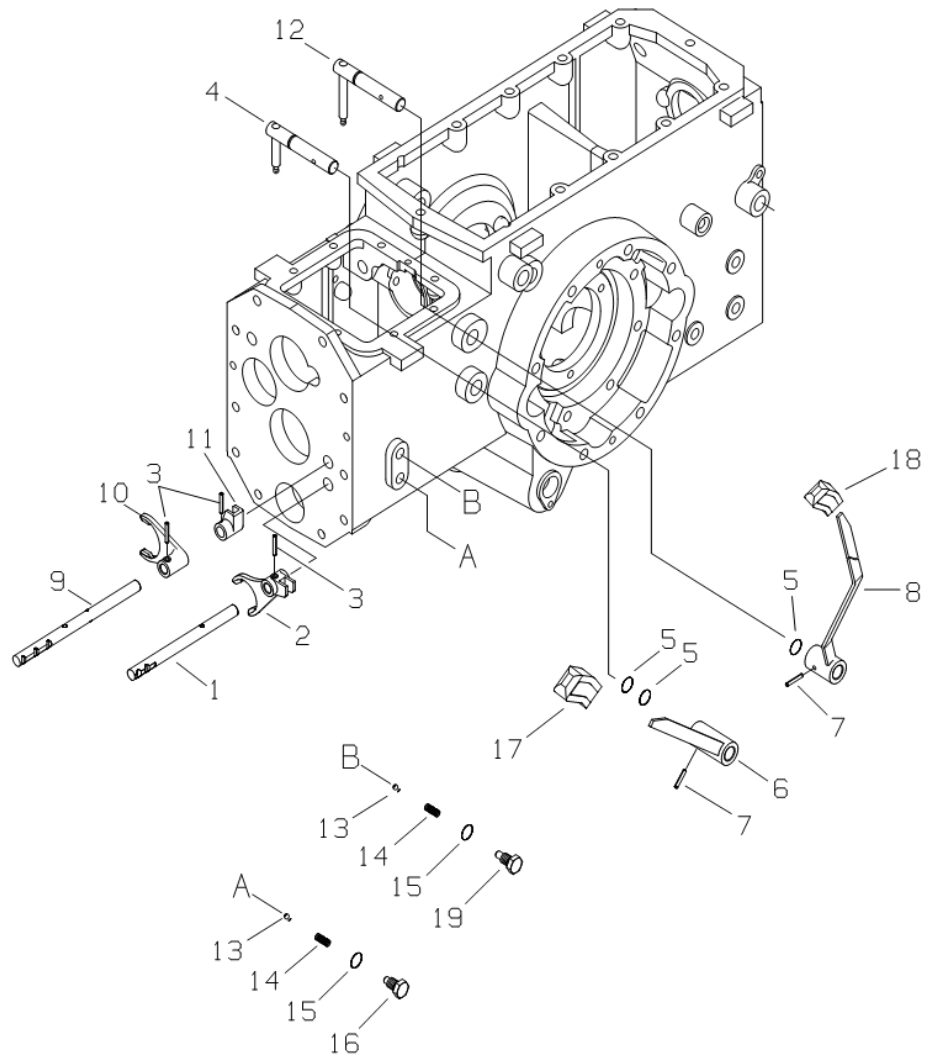
FIG. 3-13

NO.	PART NO.	PART NAME & DESCRIPTION	QTY			APP. NO	REM.
			A	B	C		
1	A1970275	GRIP	2	2			
2	A1292126	HAND LEVER, CHANGE	2	2			
3	S446062510	PIN, SPRING	10	10			
4	A1292129	SPRING	1	1			
5	S801016010	O-RING	2	2			
6	A1290102	LEVER, MAIN CHANGE	1	1			
7	A1290100	ARM, MAIN 1ST	2	2			
8	S810016001	RING, SNAP	3	3			
9	A0660026	SHIM	6	6			
10	A1290098	ADAPTER	1	1			
11	A1290101	LEVER, F-R	1	1			
12	3A1290009	CAP, RAIL	3	3			
13	A20063390	BALL, SHIFTER FORK	2	2			
14	3A1290011	SPRING	2	2			
15	A1290104	RIAL, MAIN 1ST	1	1			
16	A1290093	FORK, MAIN 1ST	1	1			
17	A1290116	RAIL, F-R	1	1			
18	A1290108	ADAPTER, F-R	1	1			
19	A1290106	RAIL, MAIN 2ND	1	1			
20	A1290115	FORK, F-R	1	1			
21	A1290094	FORK, MAIN 2ND	1	1			
22	S801010A10	O-RING	1	1			
23	A1291145	BOLT, RAIL	1	1			
24	A1290097	ARM, MAIN 2ND	1	1			
25	S801042010	O-RING	1	1			
26	A1290131	SUPPORT, ARM SHAFT	1	1			
27	A1290117	ADAPTER, F-R	1	1			
28	A1290111	RAIL, F-R 2ND	1	1			
29	S814015001	RING, SNAP(E) S.	1	1			
30	S364160013	WASHER, PLN. F-RD	1	1			
31	S154102033	BOLT, HEX, W/WASHER	2	2			

SHIFT LEVER & FORK

FIG. 3-14B

G. 290, 292



SHIFT LEVER & FORK

A-C38, B-C45

A-C38, B-C45

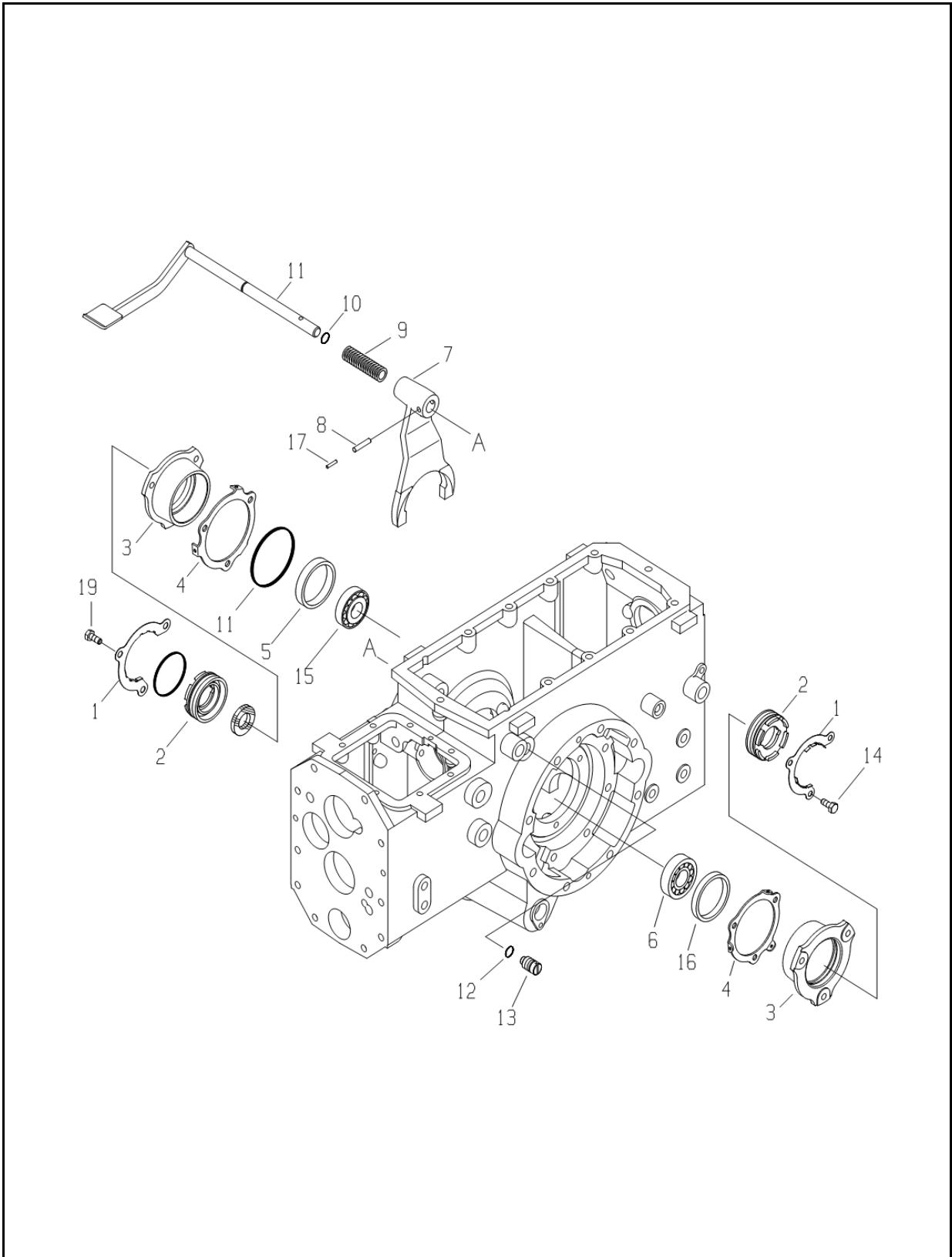
FIG. 3-14B EX, AG, TF (PTO1)

NO.	PART NO.	PART NAME & DESCRIPTION	QTY			APP. NO	REM.
			A	B	C		
1	A1291144	RAIL, 4WD	1	1			
2	A1291135	FORK, 4WD	1	1			
3	S446062510	PIN, SPRING	3	3			
4	A1291140	LEVER, 4WD	1	1			
5	S801016010	O-RING	3	3			
6	A1293124	HAND LEVER, 4WD	1	1			
7	S446063512	PIN, SPRING	3	3			
8	A1292127	HAND LVER, SUB CHANGE	1	1			
9	A1291170	RAIL, SUB CHANGE	1	1			
10	A1291163	FORK, SUB CHANGE	1	1			
11	A1291149	ADAPTER, SUB CHANGE	1	1			
12	A1291164	LEVER, SUB CHANGE	1	1			
13	A20063390	BALL, SHIFTER FORK	2	2			
14	3A1290011	SPRING	2	2			
15	S801010A10	O-RING	2	2			
16	A1291145	BOLT, RAIL	1	1			
17	A1970241	KNOB, HYD	1	1			
18	A1970299	KNOB, SUB CHANGE	1	1			
19	A1291177	BOLT, RAIL	1	1			

DIFF-LOCK

FIG. 4-1

G. 310



DIFF-LOCK

A-C38, B-C45

A-C38, B-C45

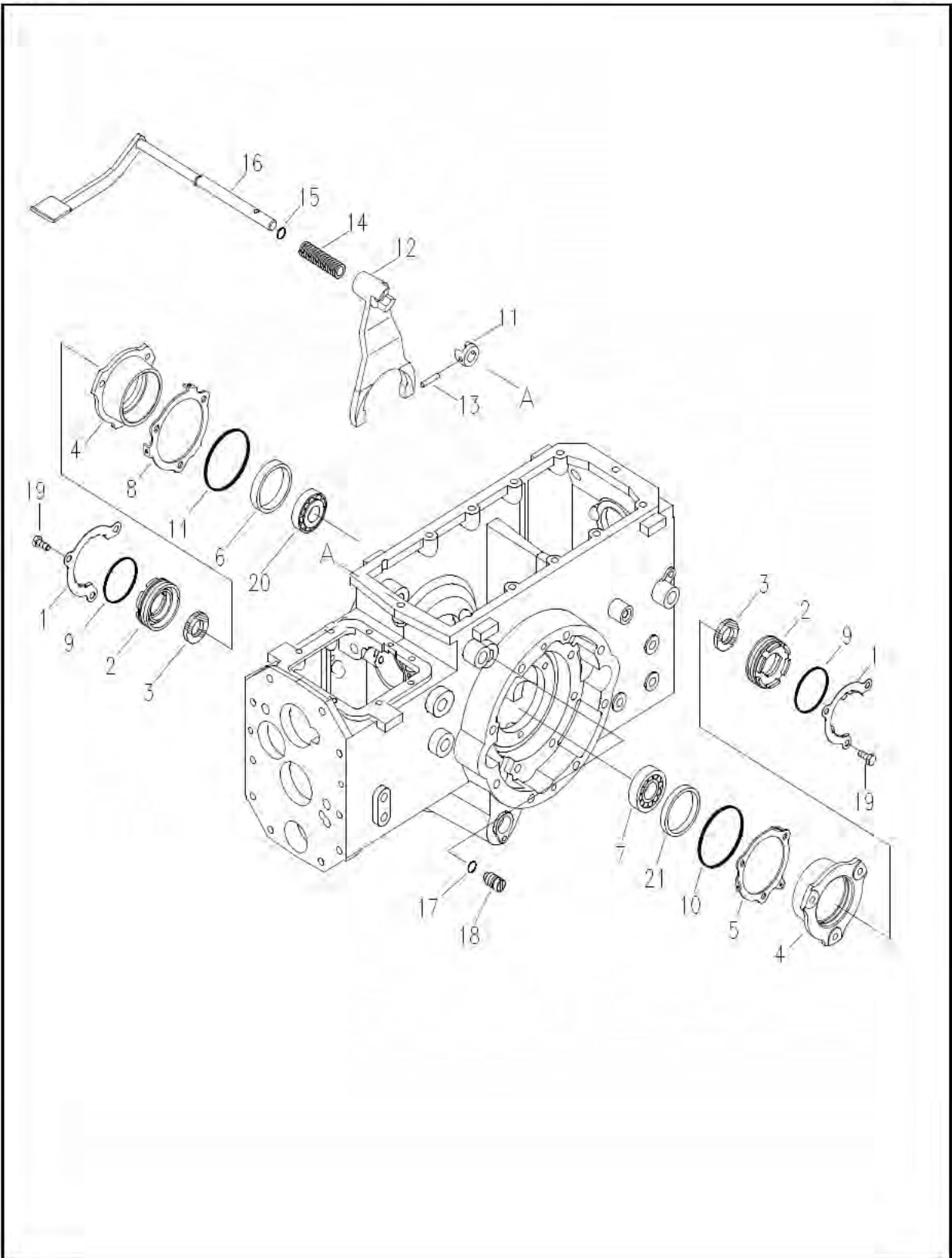
FIG. 4-1

NO.	PART NO.	PART NAME & DESCRIPTION	QTY			APP. NO	REM.
			A	B	C		
1	A1326050	PLATE, LOCK	2	2			
2	3A1326005	SCREW	2	2			
3	A1326048	SUPPORT, DIFF	2	2			
4	A1650074	HOLDER, SPRING(LH)	2	2			
5	A1326051	SPACER	1	1			
6	A0862100	BEARING, BALL	#6210(OD90xID50x20)	1	1		
7	A1320025	FORK, DIFF		1	1		
8	S446084012	PIN, SPRING	D8x40	1	1		
9	A1326047	SPRING		1	1		
10	S801016010	O-RING(G)	D15.8xW2.4	1	1		
11	A1326049	PEDAL, DIFF		1	1		
12	S801021010	O-RING(G)	D20.8xW2.4	1	1		
13	A1326046	SCREW, ADJUST	M22x1.5	1	1		
14	S165102543	BOLT, HEX	M10x1.25	6	6		
15	A26799980	BEARING, TAPER ROLLER	#30210(OD90xID50x21.75)	1	1		
16	A1326052	SPACER	OD89.1xID77x8	1	1		
17	S446054012	PIN, SPRING	D5x40	1	1		

DIFF-LOCK

FIG. 4-1

G. 310



DIFF-LOCK

A-C38, B-C45

A-C38, B-C45

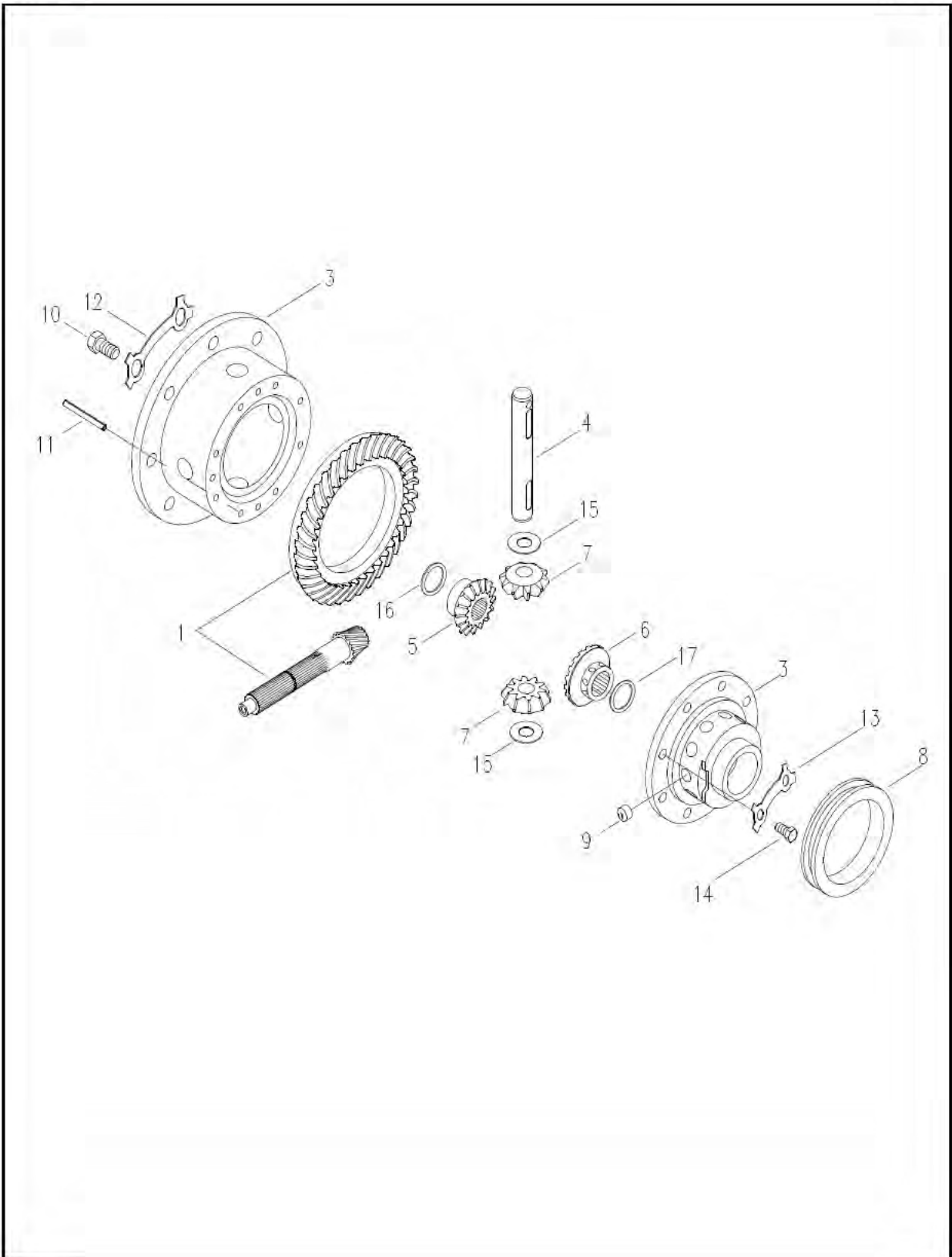
FIG. 4-1

NO.	PART NO.	PART NAME & DESCRIPTION		QTY			APP. NO	REM.
				A	B	C		
1	A1326050	PLATE, LOCK		2	2			
2	3A1326005	GRAND NUT	M85x1.5	2	2			
3	A0653004	SEAL, OIL	TC33x52x11	2	2			
4	A1326048	SUPPORT, DIFF		2	2			
5	A1650074	HOLDER, SPRING(LH)		1	1			
6	A1326051	SPACER	OD89.1xID77x14	1	1			
7	A0862100	BEARING, BALL	#6210(OD90xID50x20)	1	1			
8	A1650075	HOLDER, SPRING(RH)		1	1			
9	S802080010	O-RING(G)	D79.4xW3.1	2	2			
10	S802110010	O-RING(G)	D109.4xW3.1	2	2			
11-12	3A1326013	FORK ASSY		1	1			
11	3A1326015	ADAPTER		1	1			
12	2A1326014	FORK, DIFF		1	1			
13	S446084012	PIN, SPRING	D8x40	1	1			
14	A1326047	SPRING		1	1			
15	S801016010	O-RING(G)	D15.8xW2.4	1	1			
16	A1326049	PEDAL, DIFF		1	1			
17	S801021010	O-RING(G)	D20.8xW2.4	1	1			
18	A1326046	SCREW, ADJUST	M22x1.5	1	1			
19	S165102543	BOLT, HEX	M10x1.25	6	6			
20	A26799980	BEARING, TAPER ROLLER	#30210(OD90xID50x21.75)	1	1			
21	A1326052	SPACER	OD89.1xID77x8	1	1			

REAR DIFERENTIAL

FIG. 4-2

G. 320



REAR DIFERENTIAL

A-C38, B-C45

A-C38, B-C45

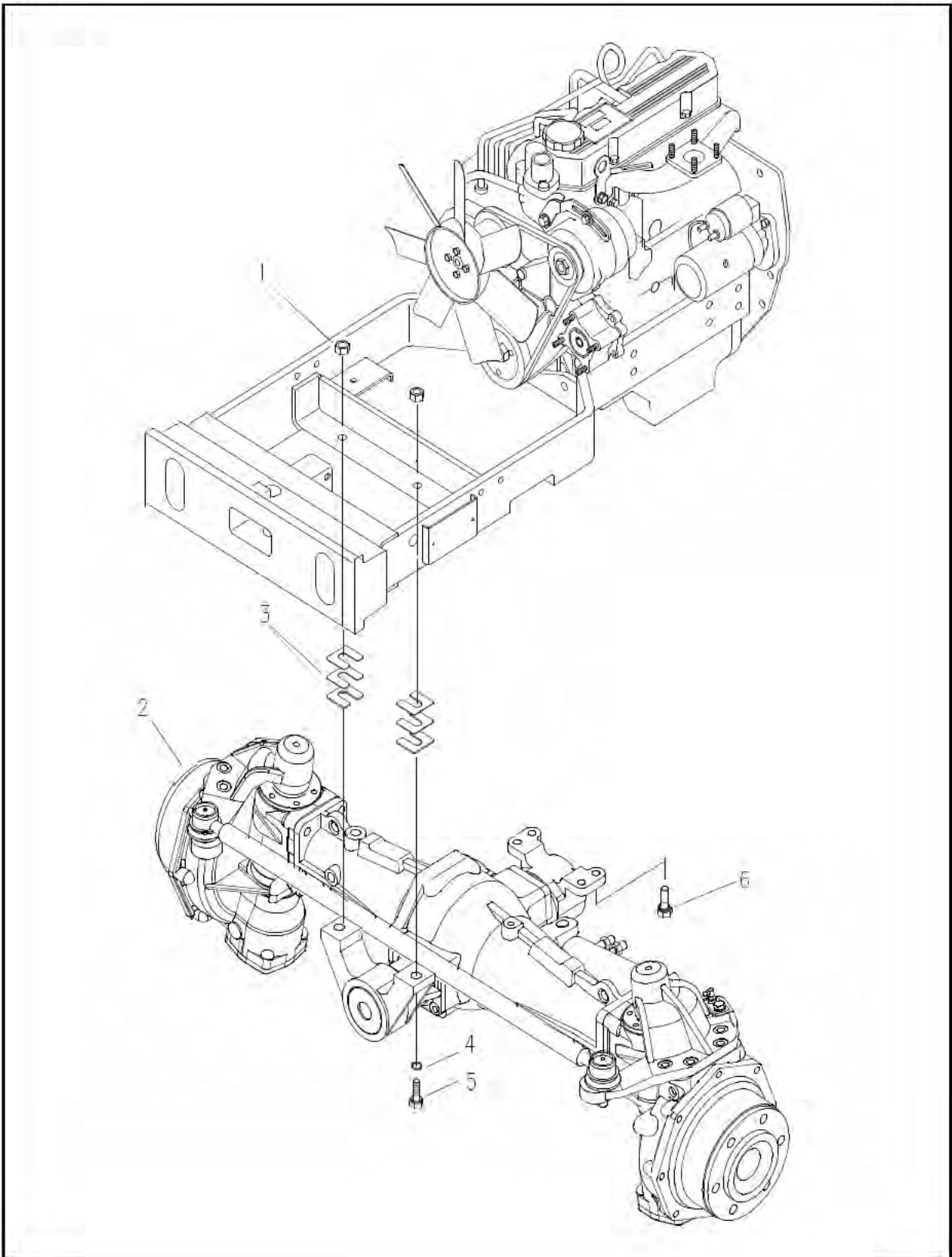
FIG. 4-2

NO.	PART NO.	PART NAME & DESCRIPTION	QTY			APP. NO	REM.
			A	B	C		
1-17	A1324103	DIFF ASSY	1	1			
1	A1324105	PINION & RING GEAR SET	1	1			
2	A1324091	CASE, DIFF. (1)	1	1			
3	A1324074	CASE, DIFF. (2)	1	1			
4	A1324075	SHAFT (1)	1	1			
5	A1324117	GEAR, DIFF. SIDE(LH)	16t	1	1		
6	A1324118	GEAR, DIFF. SIDE(RH)		1	1		
7	A1324116	GEAR, PINION. MATE	10t	2	2		
8	3A1324007	HUB, DIFF-LOCK		1	1		
9	3A1324014	ROLLER	D12x1.5	10	10		
10	A1324090	BOLT, HEX	M12x1.25x23	8	8		
11	S446065010	PIN, SPRING	D6x50	1	1		
12	3A1324012	PLATE, LOCKING	1.0t	4	4		
13	A1324079	WASHER, LOCK (2)	1.0t	4	4		
14	S105082043	BOLT, HEX	M8x1.25	8	8		
15	3A1970123	WASHER, THRUST	OD42.07xID19.45x0.8t	2	2		
16	3A1970122	WASHER, THRUST	OD71.44xID41.47x0.8t	1	1		
17	3A1324003	WASHER, THRUST(LH)	OD74xID55x0.8t	1	1		

FRONT AXLE ASSY

FIG. 5-1

G. 400



FRONT AXLE ASSY

A-C38, B-C45

A-C38, B-C45

FIG. 5-1

NO.	PART NO.	PART NAME & DESCRIPTION		QTY			APP. NO	REM.
				A	B	C		
1	A1400129	NUT, LOCK	M16x1.5	2	2			
2	A1400287	FRONT AXLE ASSY		1	1			
3	A1400130	LINER, F/AXLE	0.4t	AR	AR			
	A1400131	LINER, F/AXLE	1.2t	AR	AR			
	A1400132	LINER, F/AXLE	2.3t	AR	AR			
4	S361160013	WASHER, SPRING	Φ28×Φ16.2×4t	2	2			
5	S103164543	BOLT, HEX	M16x1.5x45	2	2			
6	S154124033	BOLT, HEX	M12x1.25x40	4	4			

FRONT AXLE CASE

A-C38, B-C45

A-C38, B-C45

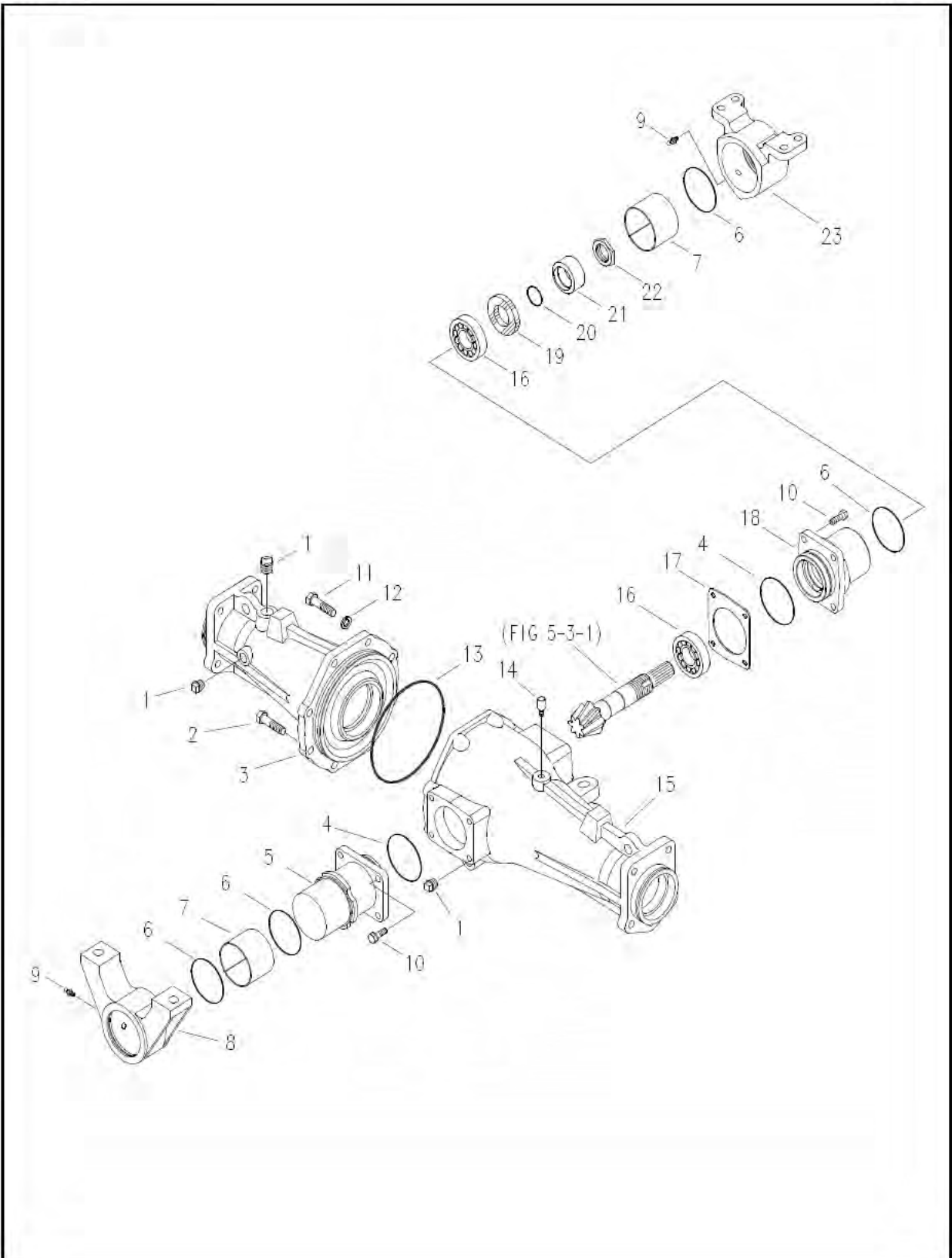
FIG. 5-2

NO.	PART NO.	PART NAME & DESCRIPTION		QTY			APP. NO	REM.
				A	B	C		
1	3A1970052	PLUG, TAPER	PT 3/8	2	2			
2	S153123533	BOLT, HEX. W/WASHER	M12x1.75x35	7	7			
3	A1400163	CENTER(RH)		1	1			
4	S802075010	O-RING	D74.4x3.1	2	2			
5	A1400100	HOLDER, F/PIVOT		1	1			
6	S802080010	O-RING	D79.4x3.1	4	4			
7	3A1970006	BUSHING	80x40	2	2			
8	A1400118	BRACKET, FRONT		1	1			
9	3A1970069	NIPPLE, GREASE	PT 1/8	2	2			
10	S154103033	BOLT, HEX. W/WASHER	M10x1.25x30	8	8			
11	3A1970050	BOLT, REAMER	M12x1.75	1	1			
12	S361120013	WASHER, SPRING	φ21.5xφ12.2x3t	1	1			
13	S802175010	O-RING	D174.3x5.7	1	1			
14	3A1400004	BREATHER, AIR		1	1			
15	A1400164	CENTER(LH)		1	1			
16	A1400093	BEARING, TAPER	#32206C (OD62xID30x21.25)	2	2			
17	3A1970100	SHIM	0.07t	AR	AR			
	3A1970101	SHIM	0.2t	AR	AR			
18	3A1400010	CASE, BEARING		1	1			
19	3A1970012	SEAL, OIL	φ62xφ45x9t	1	1			
20	S801030010	O-RING	D29.7x3.5	1	1			
21	3A1411004	BUSHING, SEAL	φ45x15	1	1			
22	3A1970065	NUT, LOCK	M30x1.5	1	1			
23	A1400119	BRACKET, REAR		1	1			
24	3A1970051	PLUG, TAPER	PT 1/2	1	1			

FRONT AXLE CASE

FIG. 5-2

G. 400



FRONT AXLE CASE

A-C38, B-C45

A-C38, B-C45

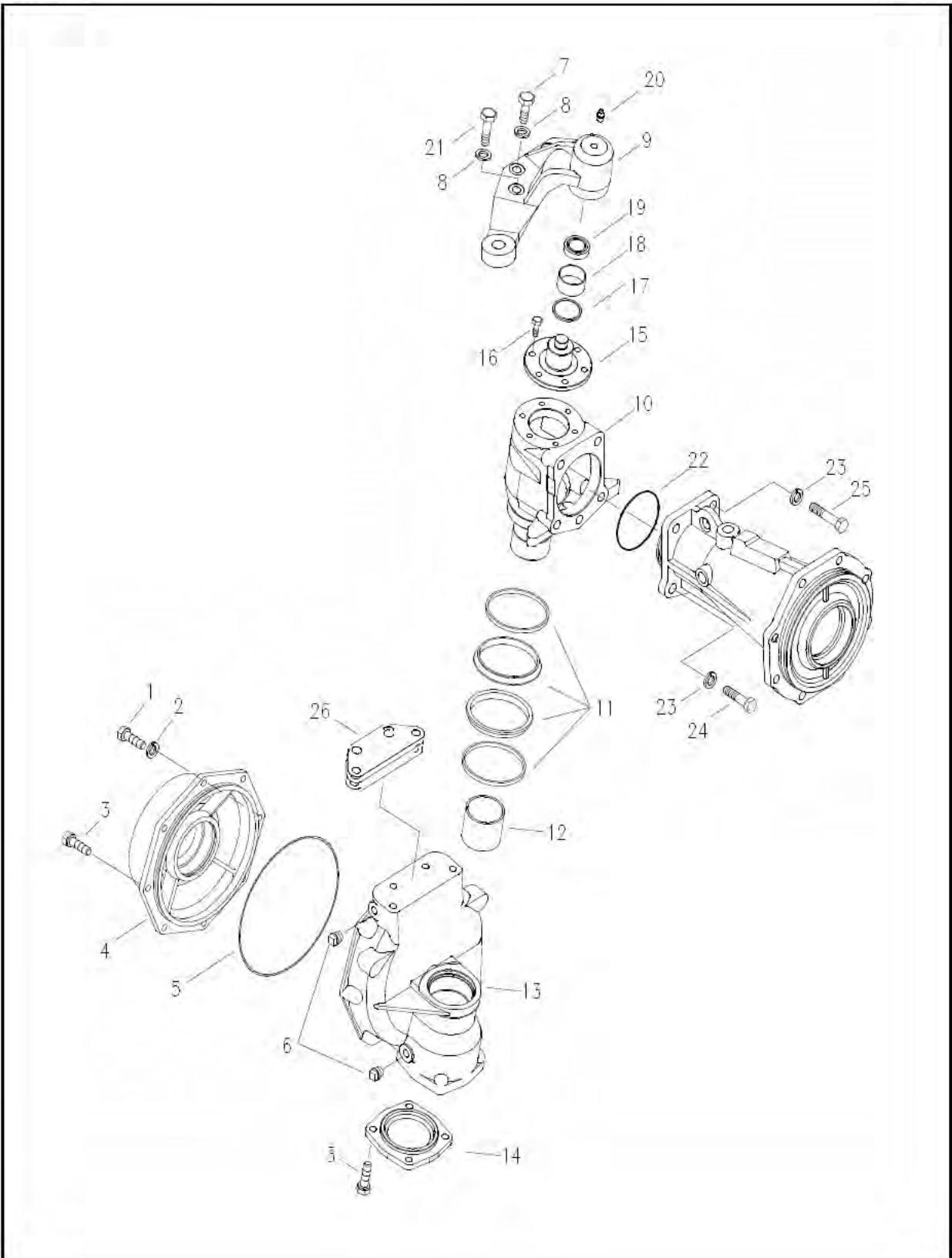
FIG. 5-2

NO.	PART NO.	PART NAME & DESCRIPTION		QTY			APP. NO	REM.
				A	B	C		
1	3A1970052	PLUG, TAPER	PF 3/8	3	3			
2	S153123533	BOLT, HEX . W / WASHER	M12x1.75x35	7	7			
3	A1400163	CENTER (R)		1	1			
4	S802075010	O-RING	D74.4x3.1	2	2			
5	A1400100	HOLDER, F/PIVOT		1	1			
6	S802080010	O-RING	D79.4x3.1	4	4			
7	3A1970006	BUSHING	80x40	2	2			
8	A1400118	BRACKET, FRONT		1	1			
9	3A1970069	NIPPLE, GREASE	PT 1/8	2	2			
10	S154103033	BOLT, HEX . W / WASHER	M10x1.25x30	8	8			
11	3A1970050	BOLT, REAMER	M12x1.75	1	1			
12	S361120013	WASHER, SPRING	Φ21.5xΦ12.2x3t	1	1			
13	S802175010	O-RING	D174.3x5.7	1	1			
14	3A1400004	BREATHER, AIR		1	1			
15	A1400164	CENTER (L)		1	1			
16	A1400093	BEARING, TAPER	#32206C (OD62xID30x21.25)	2	2			
17	3A1970100	SHIM	0.07t	AR	AR			
	3A1970101	SHIM	0.2t	AR	AR			
18	3A1400010	CASE, BEARING		1	1			
19	3A1970012	SEAL, OIL	Φ62xΦ45x9t	1	1			
20	S801030010	O-RING	D29.7x3.5	1	1			
21	3A1411004	BUSHING, SEAL	Φ45x15	1	1			
22	3A1970065	NUT, LOCK	M30x1.5	1	1			
23	A1400119	BRACKET, REAR		1	1			

FRONT AXLE CASE

FIG. 5-3

G. 400



FRONT AXLE CASE

A-C38, B-C45

A-C38, B-C45

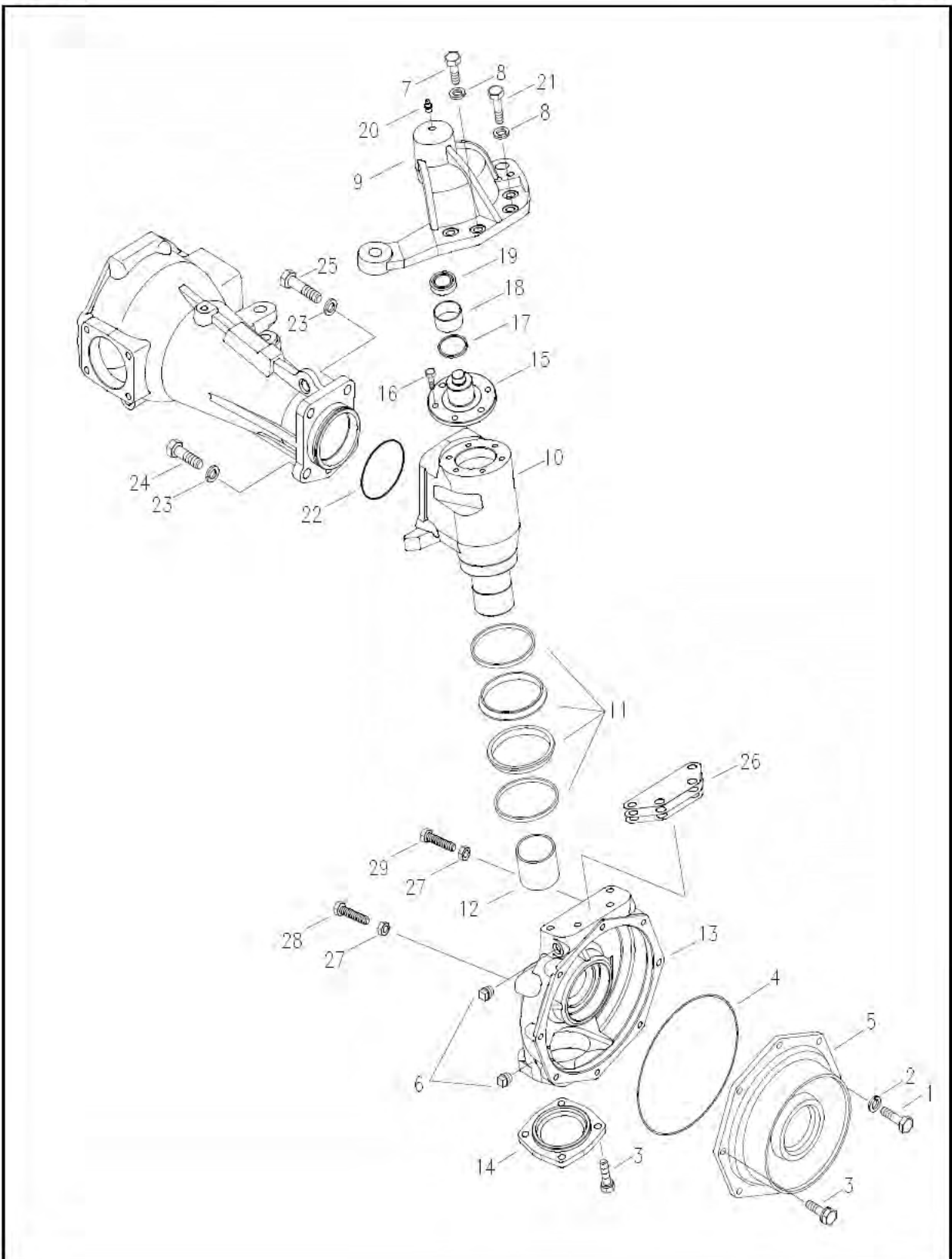
FIG. 5-3

NO.	PART NO.	PART NAME & DESCRIPTION		QTY			APP. NO	REM.
				A	B	C		
1	3A1970055	BOLT, REAMER	M10x1.25	1	1			
2	S361100013	WASHER, SPRING	Φ18.4×10.2×2.5t	1	1			
3	S154103033	BOLT, HEX. W/WASHER	M10x1.25x30	11	11			
4	A1402067	COVER, GEAR CASE		1	1			
5	3A1970056	O-RING	D231x3	1	1			
6	3A1970052	PLUG, TAPER	PT 3/8	2	2			
7	S101123043	BOLT, HEX	M12x1.75x30	2	2			
8	S361120013	WASHER, SPRING	Φ21.5×Φ12.2×3t	4	4			
9	A1400289	ARM(RH)		1	1			
10	A1400293	CASE, KINGPIN		1	1			
11	A1400168	GROUP SEAL		1	1			
12	A1400077	BUSHING, DU	MB6030DU	1	1			
13	A1400292	CASE, GEAR(RH)		1	1			
14	A1400288	COVER, W/BRG CASE		1	1			
15	A1400286	HOLDER, ARM		1	1			
16	S153082533	BOLT, HEX. W/WASHER	M8x1.25x25	6	6			
17	A0652582	SEAL, DUST	Φ40×Φ48×6.5t	1	1			
18	A0678120	BUSHING	MB4020DU	1	1			
19	A1400076	BEARING, T/ROLLER	#32004XJ	1	1			
20	3A1970069	NIPPLE, GREASE	PT 1/8	1	1			
21	3A1970057	BOLT, REAMER	M12X1.75X35	2	2			
22	S802090010	O-RING	D89.4x3.1	1	1			
23	S361140013	WASHER, SPRING	Φ24.5×Φ14.2×3.5t	5	5			
24	S101144043	BOLT, HEX	M14x2x40	4	4			
25	A1970307	BOLT, REAMER	M14x2x50	1	1			
26	A1402048	SHIM	0.15t	1	1			
	A1402049	SHIM	0.30t	1	1			
	A1402050	SHIM	0.40t	1	1			

FRONT AXLE CASE

FIG. 5-4

G. 400



FRONT AXLE CASE

A-C38, B-C45

A-C38, B-C45

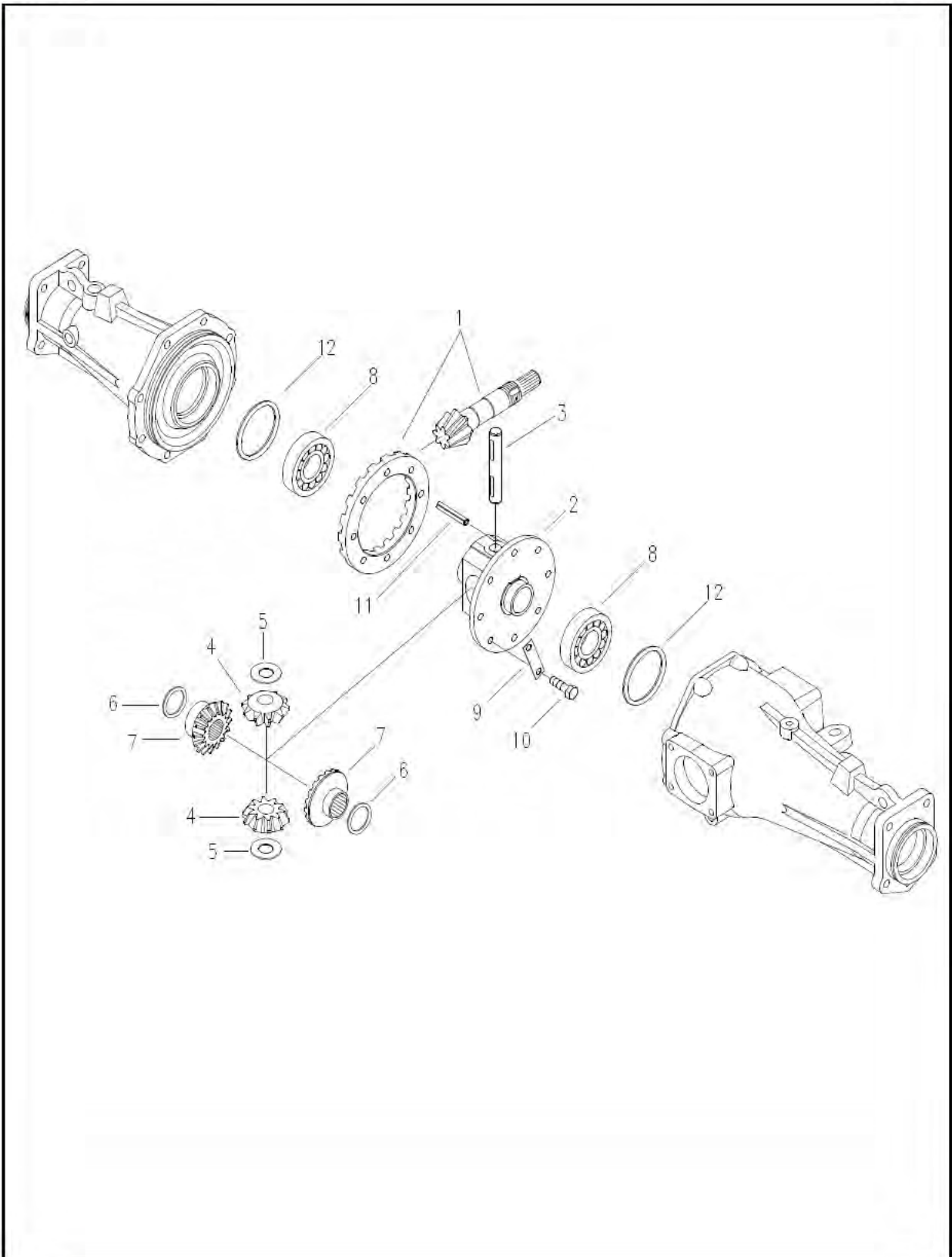
FIG. 5-4

NO.	PART NO.	PART NAME & DESCRIPTION		QTY			APP. NO	REM.
				A	B	C		
1	3A1970055	BOLT, REAMER	M10x1.25	1	1			
2	S361100013	WASHER, SPRING	Φ18.4×10.2×2.5t	1	1			
3	S154103033	BOLT, HEX. W/WASHER	M10x1.25x30	11	11			
4	A1402067	COVER, GEAR CASE		1	1			
5	3A1970056	O-RING	D231x3	1	1			
6	3A1970052	PLUG, TAPER	PT 3/8	2	2			
7	S101123043	BOLT, HEX	M12x1.75x30	2	2			
8	S361120013	WASHER, SPRING	Φ21.5×Φ12.2×3t	4	4			
9	A1400290	ARM(LH)		1	1			
10	A1400293	CASE, KINGPIN		1	1			
11	A1400168	GROUP SEAL		1	1			
12	A1400077	BUSHING, DU	MB6030DU	1	1			
13	A1400291	CASE, GEAR(LH)		1	1			
14	A1400288	COVER, W/BRG CASE		1	1			
15	A1400286	HOLDER, ARM		1	1			
16	S153082533	BOLT, HEX. W/WASHER	M8x1.25x25	6	6			
17	A0652582	SEAL, DUST	Φ40×Φ48×6.5t	1	1			
18	A0678120	BUSHING	MB4020DU	1	1			
19	A1400076	BEARING, T/ROLLER	#32004XJ	1	1			
20	3A1970069	NIPPLE, GREASE	PT 1/8	1	1			
21	3A1970057	BOLT, REAMER	M12X1.75X35	2	2			
22	S802090010	O-RING	D89.4×3.1	1	1			
23	S361140013	WASHER, SPRING	Φ24.5×Φ14.2×3.5t	5	5			
24	S101144043	BOLT, HEX	M14x2x40	4	4			
25	A1970307	BOLT, REAMER	M14x2x50	1	1			
26	A1402048	SHIM	0.15t	1	1			
	A1402049	SHIM	0.30t	1	1			
	A1402050	SHIM	0.40t	1	1			
27	S301120043	NUT, HEX. 1-TY	M12x1.75	2	2			
28	S101125543	BOLT, HEX.	M12x1.75x55	1	1			
29	S163123543	BOLT, HEX. F-THRD	M12×1.75×35	1	1			

FRONT AXLE DIFFERENTIAL

FIG. 5-5

G. 400



FRONT AXLE DIFFERENTIAL

A-C38, B-C45

A-C38, B-C45

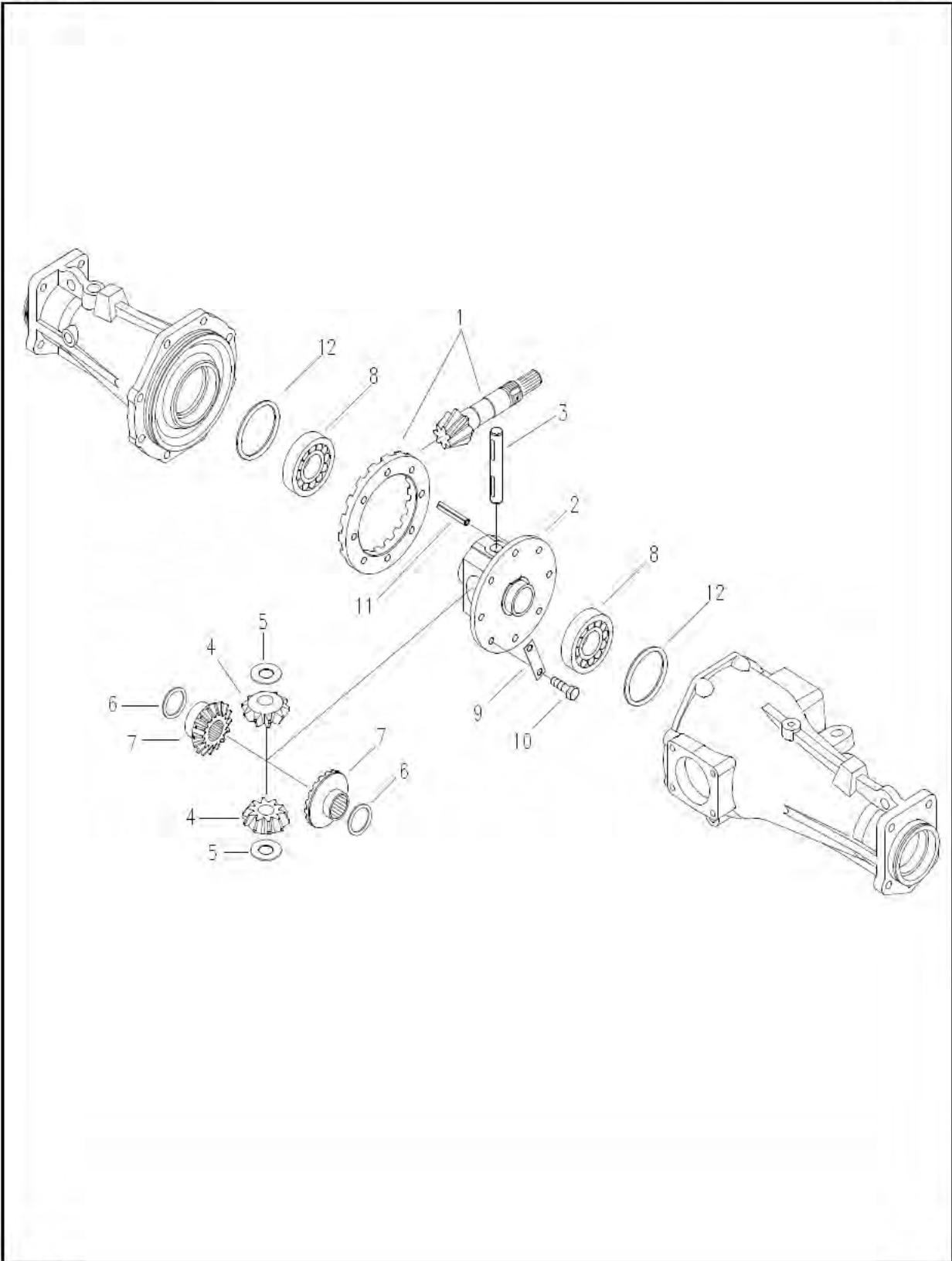
FIG. 5-5

NO.	PART NO.	PART NAME & DESCRIPTION		QTY			APP. NO	REM.
				A	B	C		
1~11	2A1415001	DIFF, GEAR ASSY		1	1			
1	A1400172	PINION & RING GEAR SET	6t/37t	1	1			
2	1A1414001	CASE, DIFF		1	1			
3	3A1415004	SHAFT		1	1			
4	A1324060	PINION, MATE	10t	2	2			
5	3A1970123	WASHER, THRUST	0.8t	2	2			
6	3A1970122	WASHER, THRUST	0.8t	2	2			
7	A1324062	GEAR, SIDE	16t	2	2			
8	A0862100	BEARING, BALL	#6210 (OD90×ID50×20)	2	2			
9	A1410041	PLATE, LOCK		4	4			
10	A1410039	BOLT, HEX.	M10×1.25×20	8	8			
11	S446065012	PIN, SPRING	Φ6×50	1	1			
12	3A1970119	LINER	0.07t	AR	AR			
	3A1970120	LINER	0.2t	AR	AR			
	3A1970121	LINER	1.0t	AR	AR			

FRONT AXLE DIFFERENTIAL

FIG. 5-3

G. 400



FRONT AXLE DIFFERENTIAL

A-C38, B-C45

A-C38, B-C45

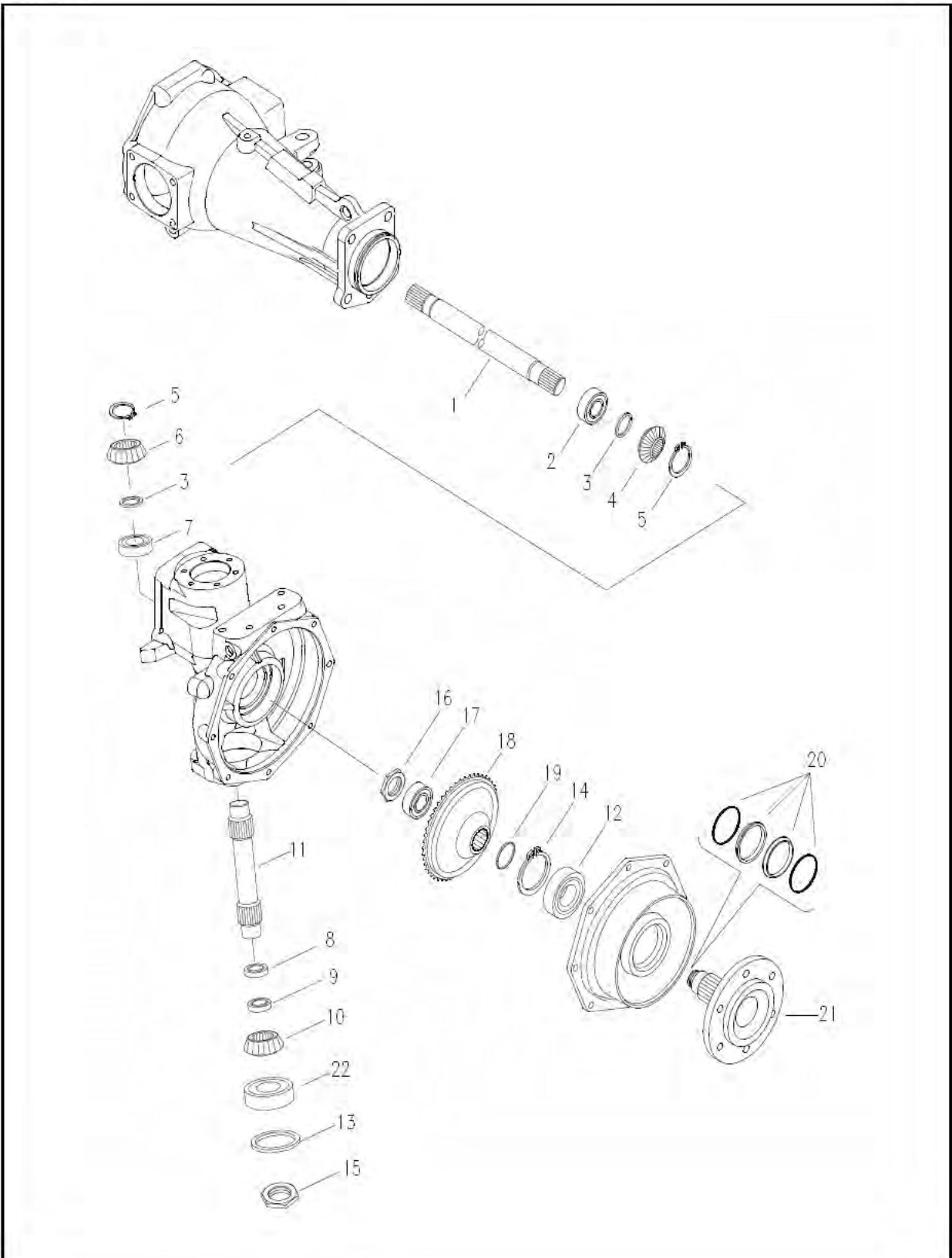
FIG. 5-3

NO.	PART NO.	PART NAME & DESCRIPTION		QTY			APP. NO	REM.
				A	B	C		
1~11	2A1415001	DIFF, GEAR ASSY		1	1			
1	A1400172	PINION & RING GEAR SET	6t/37t	1	1			
2	1A1414001	CASE, DIFF		1	1			
3	3A1415004	SHAFT		1	1			
4	A1324060	PINION, MATE	10t	2	2			
5	3A1970123	WASHER, THRUST	0.8t	2	2			
6	3A1970122	WASHER, THRUST	0.8t	2	2			
7	A1324062	GEAR, SIDE	16t	2	2			
8	A0862100	BEARING, BALL	#6210 (OD90×ID50×20)	2	2			
9	3A1411003	PLATE, LOCK		4	4			
10	A1410039	BOLT, HEX.	M10×1.25×20	8	8			
11	S446065012	PIN, SPRING	Φ6×50	1	1			
12	3A1970119	LINER	0.07t	AR	AR			
	3A1970120	LINER	0.2t	AR	AR			
	3A1970121	LINER	1.0t	AR	AR			

FRONT AXLE DRIVE (400)

FIG. 5-6

G. 400



FRONT AXLE DRIVE (400)

A-C38, B-C45

A-C38, B-C45

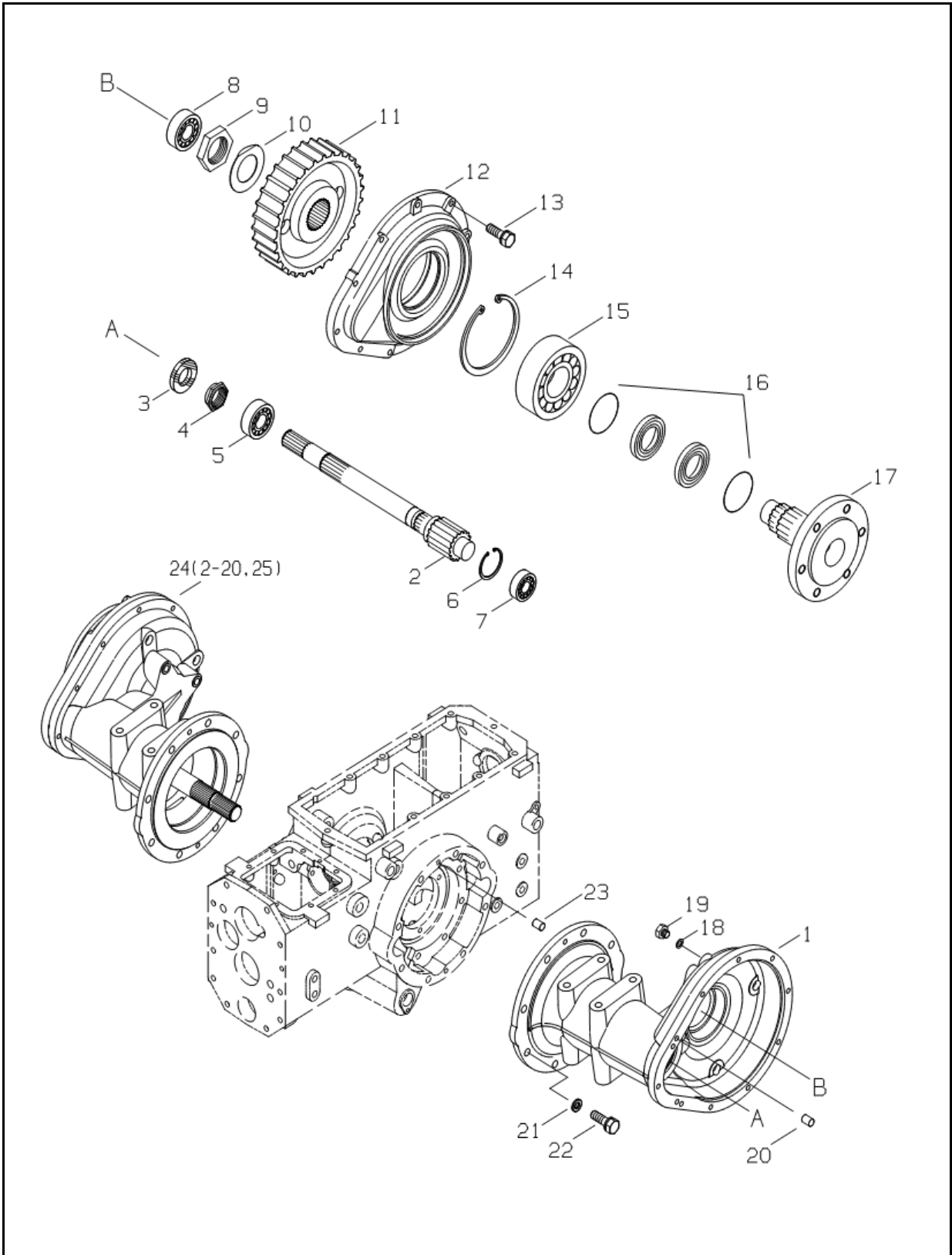
FIG. 5-6

NO.	PART NO.	PART NAME & DESCRIPTION		QTY			APP. NO	REM.
				A	B	C		
1	A1400120	SHAFT, F/DIFF		2	2			
2	A0863070	BEARING, BALL	#6307 (OD80×ID35×21)	2	2			
3	A0870108	LINER	0.15t	AR	AR			
	A0870109	LINER	0.4t	AR	AR			
	A0870110	LINER	0.5t	AR	AR			
4	A1400121	GEAR	14t	2	2			
5	S810030001	RING, SNAP		4	4			
6	A1400153	GEAR	15t	2	2			
7	A1400093	BEARING, TAPER	#32206C (OD62×ID30×21.25)	2	2			
8	3A1970034	BEARING, THRUST	NSK51107 (OD52×ID35×12)	2	2			
9	A1400127	SPACER		2	2			
10	A1400124	GEAR	14t	2	2			
11	A1400123	SHAFT, KINGPIN		2	2			
12	A0862100	BEARING, BALL	#6210 (OD90×ID50×20)	2	2			
13	3A1970119	LINER	0.07t	AR	AR			
	3A1970120	LINER	0.2t	AR	AR			
14	S811090001	RING, SNAP	#30210	2	2			
15	A1281034	NUT, LOCK	M25×1.5	2	2			
16	A1402047	NUT, LOCK	M30×1.5	2	2			
17	A0863080	BEARING, BALL	#6308 (OD90×ID40×23)	2	2			
18	A1402044	GEAR	38t	2	2			
19	3A1970112	LINER	0.4t	AR	AR			
	3A1970113	LINER	0.6t	AR	AR			
	3A1970114	LINER	0.8t	AR	AR			
	3A1970115	LINER	1.0t	AR	AR			
20	A1400168	GROUP SEAL		2	2			
21	A1402068	SHAFT, AXLE		2	2			
22	A26799980	BEARING, T/ROLLER	#30210	2	2			

REAR AXLE

FIG. 5-7

G. 400



REAR AXLE

A-C38, B-C45

A-C38, B-C45

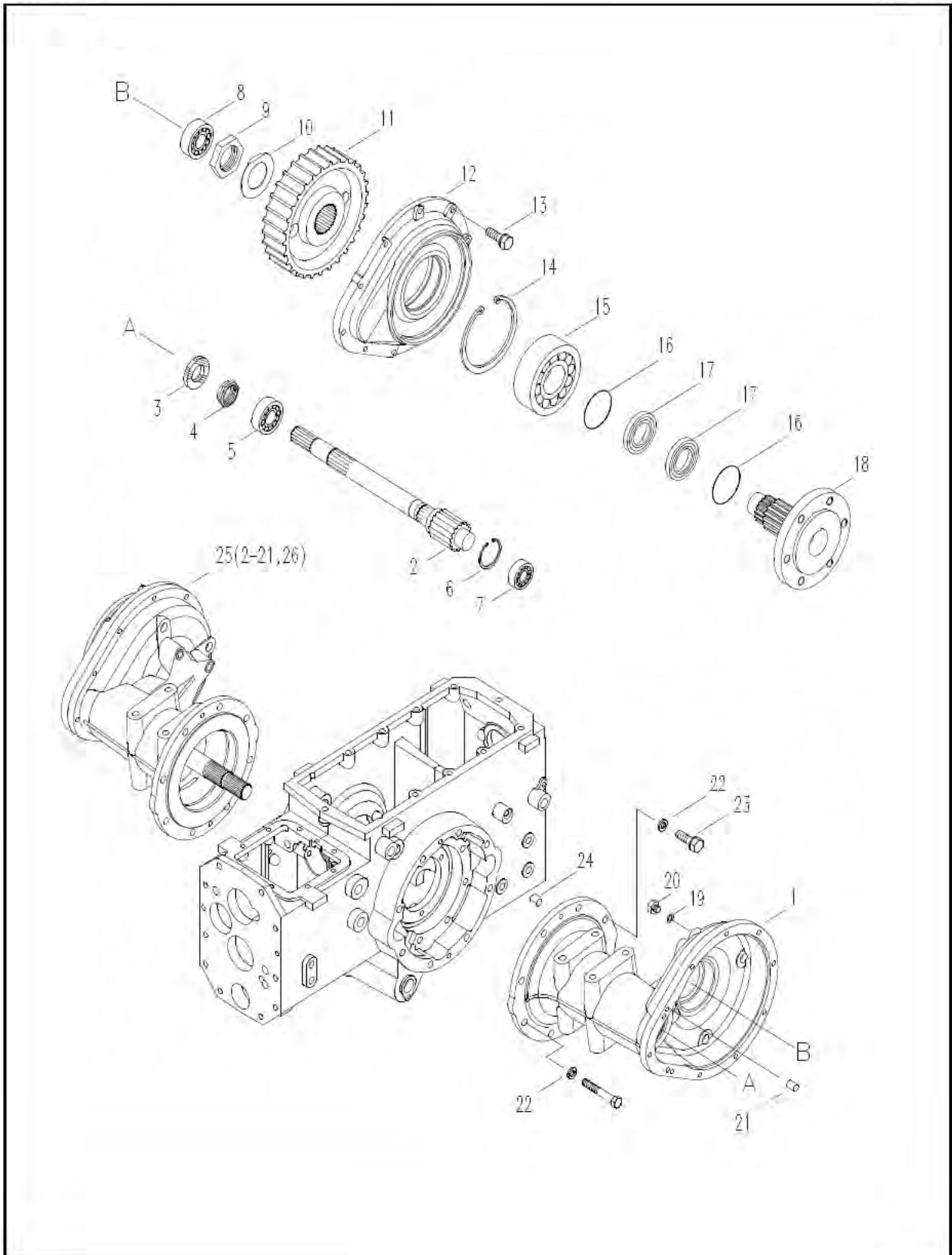
FIG. 5-7

NO.	PART NO.	PART NAME & DESCRIPTION	QTY			APP. NO	REM.
			A	B	C		
1-21	A1480068	F/DRIVE ASSY(LH)	1	1			
1	A1480070	CASE, FINAL DRIVE(LH)	1	1			
2	A1481037	PINION, FINAL DRIVE	1	1			
3	A1480102	SEAL, OIL	1	1			
4	A1481040	NUT, LOCK	1	1			
		TB38x55x8					
		M40x1.0					
5	A0863080	BEARING, BALL	1	1			
		#6308(OD90xID40x23)					
6	S811090001	RING, SNAP	1	1			
		D95.5x3t					
7	A0863070	BEARING, BALL	1	1			
		#6307(OD80xID35x21)					
8	A0863090	BEARING, BALL	1	1			
		#6309(OD100xID45x29)					
9	A1481041	NUT, LOCK	1	1			
		M55x1.5					
10	A1481042	PLATE, LOCK	1	1			
		OD96xID56x1.5t					
11	A1481038	GEAR, F/DRIVE 71T	1	1			
		71T					
12	A1480067	COVER, F/DRIVE	1	1			
13	S154104033	BOLT, HEX.	10	10			
		M10x1.25					
14	S811140001	RING, SNAP	1	1			
		D14.7x4t					
15	A0863130	BEARING, BALL	1	1			
		#6313(OD140xID65x33)					
16	A1480100	GROUP SEAL ASSY	1	1			
17	A1481039	SHAFT, REAR AXLE	1	1			
		OD20xID26x1.5t					
18	A10263360	SEAL, OIL	3	3			
19	A0610281	PLUG, DRAIN	3	3			
		M20x1.5					
20	S421102010	PIN, DOWEL	2	2			
		D15x20					
21	S361140013	WASHER, SPRING	16	16			
		OD24.5xID14.2x3.5t					
22	S101144043	BOLT, HEX	16	16			
		M14x2.0					
23	S423102010	PIN, DOWEL	4	4			
		D10x20					
24	A1480069	F/DRV ASSY(RH)	1	1			
25	A1480071	CASE, FINAL DRV(RH)	1	1			

REAR AXLE

FIG. 5-5

G. 400



REAR AXLE

A-C38, B-C45

A-C38, B-C45

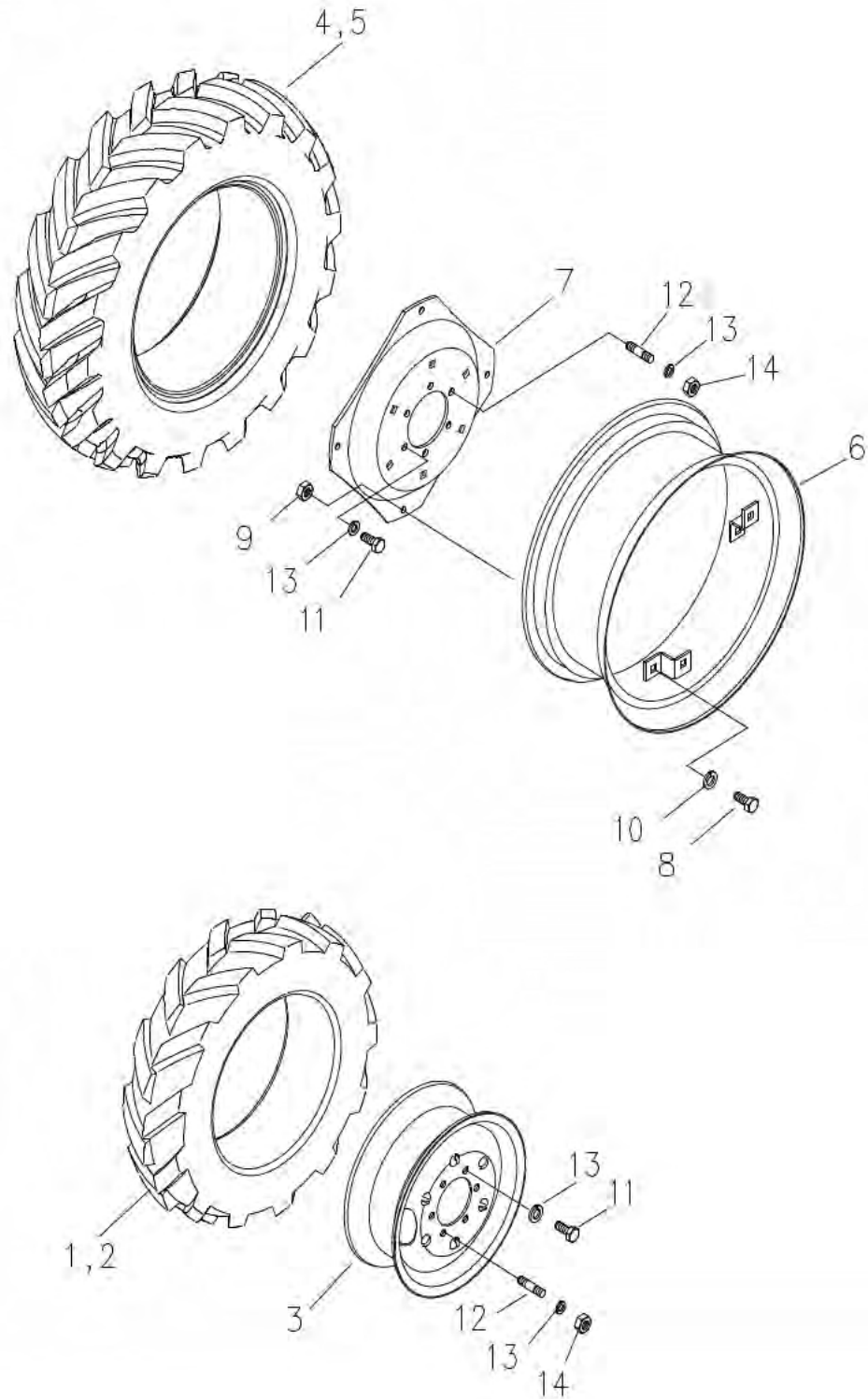
FIG. 5-5

NO.	PART NO.	PART NAME & DESCRIPTION	QTY			APP. NO	REM.
			A	B	C		
1-21	A1480068	F/DRIVE ASSY(LH)	1	1			
1	A1480070	CASE, FINAL DRIVE(LH)	1	1			
2	A1481037	PINION, FINAL DRIVE	2	2			
3	A1480050	SEAL, OIL	2	2			
4	A1481040	NUT, LOCK	2	2			
		TB38x55x8					
		M40x1.0					
5	A0863080	BEARING, BALL	2	2			
6	S811090001	RING, SNAP	2	2			
7	A0863070	BEARING, BALL	2	2			
8	A0863090	BEARING, BALL	2	2			
9	A1481041	NUT, LOCK	2	2			
		#6308(OD90xID40x23)					
		D95.5x3t					
		#6307(OD80xID35x21)					
		#6309(OD100xID45x29)					
		M55x1.5					
10	A1481042	PLATE, LOCK	2	2			
11	A1481038	GEAR, F/DRIVE 71T	2	2			
12	A1480067	COVER, F/DRIVE	2	2			
13	S154104033	BOLT, HEX	20	20			
14	S811140001	RING, SNAP	2	2			
		OD96xID56x1.5t					
		71T					
		M10x1.25					
		D14.7x4t					
15	A0863130	BEARING, BALL	2	2			
16	A1480058	O-RING	4	4			
17	A1480057	RETAINER	4	4			
18	A1481039	SHAFT, REAR AXLE	2	2			
19	A10263360	SEAL, OIL	6	6			
		#6313(OD140xID65x33)					
		D117xW7					
		OD20xID26x1.5t					
20	A0610281	PLUG, DRAIN	6	6			
21	S421102010	PIN, DOWEL	4	4			
22	S361140013	WASHER, SPRING	16	16			
23	S101144043	BOLT, HEX	10	10			
24	S423102010	PIN, DOWEL	4	4			
		M20x1.5					
		D15x20					
		OD24.5xID14.2x3.5t					
		M14x2.0					
		D10x20					
25	A1480069	F/DRV ASSY(RH)	1	1			
26	A1480071	CASE, FINAL DRV(RH)	1	1			

FRONT & REAR WHEEL (TIRE)

FIG. 5-8B

G. 490



FRONT & REAR WHEEL (TIRE)

A-C38, B-C45

A-C38, B-C45

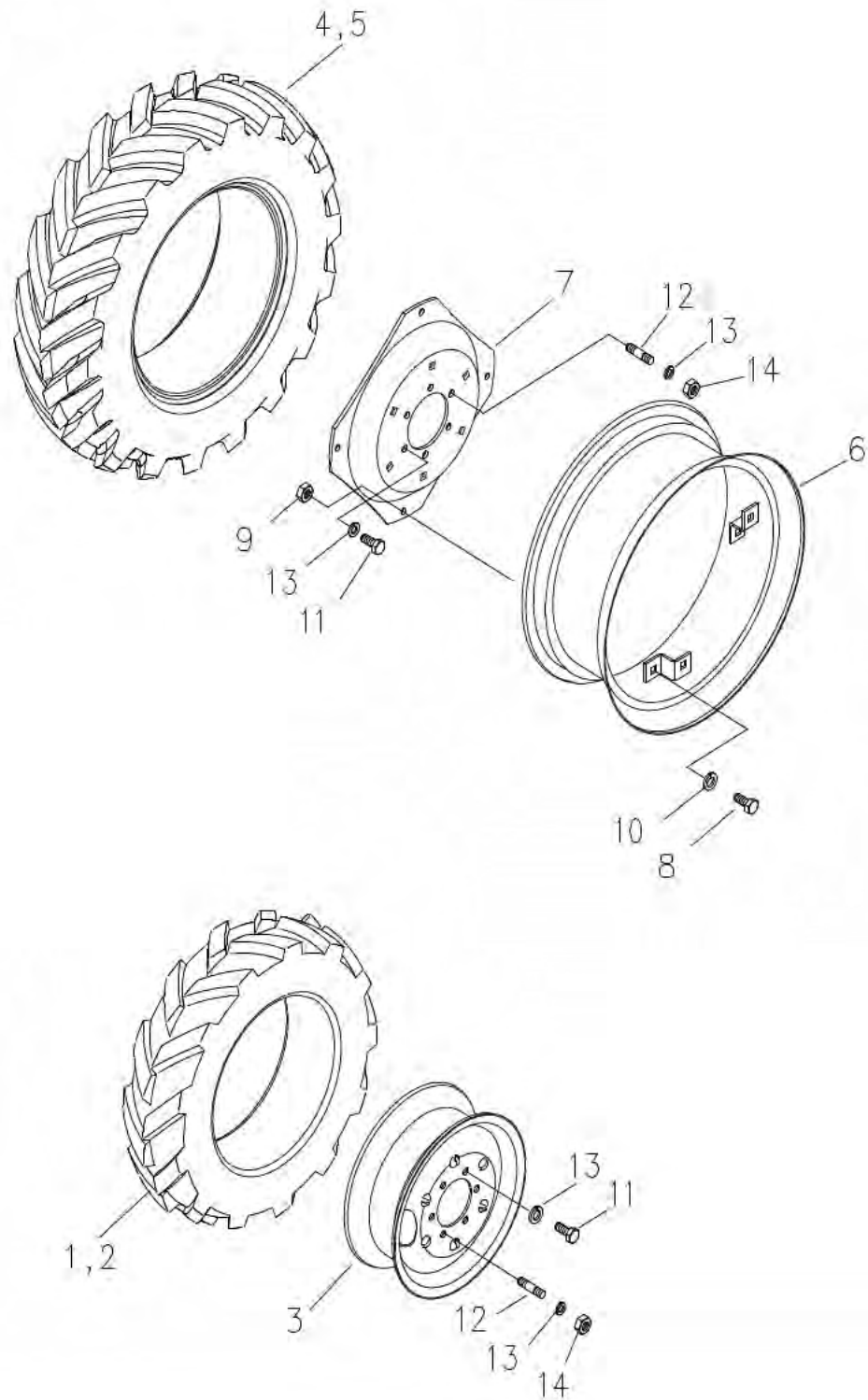
FIG. 5-8B EXPORT

NO.	PART NO.	PART NAME & DESCRIPTION		QTY			APP. NO	REM.
				A	B	C		
1-2	A1490026	FRONT TIRE ASSY	8-16(4PR)	2	2			
1	A01494003	TUBE FRONT		1	1			
2	A01494002	TIRE TRONT		1	1			
3	A1490207	FRONT RIM ASSY		2	2			
4-5	A1490027	REAR TIRE ASSY	12.4-24 (6PR)	2	2			
4	A00010525	TUBE REAR		1	1			
5	A00010524	TIRE REAR		1	1			
6-10	A1490022	REAR RIM ASSY		2	2			
6	A1490023	RIM REAR		1	1			
7	A1490024	DISK REAR		1	1			
8	A1970077	BOLT, HEX		4	4			
9	S306160013	NUT, HEX		4	4			
10	S361160013	WASHER, SPR.		4	4			
11	S103163043	BOLT, HEX	M16x1.5x30L	16	16			
12	S167162523	BOLT, STUD	M16x1.5x25L	8	8			
13	S361160013	WASHER, SPR.	D28/16.2x4T	24	24			
14	S302160043	NUT, HEX	M16x1.5	8	8			

FRONT & REAR WHEEL (TIRE)

FIG. 5-6

G. 490



FRONT & REAR WHEEL (TIRE)

A-C38, B-C45

A-C38, B-C45

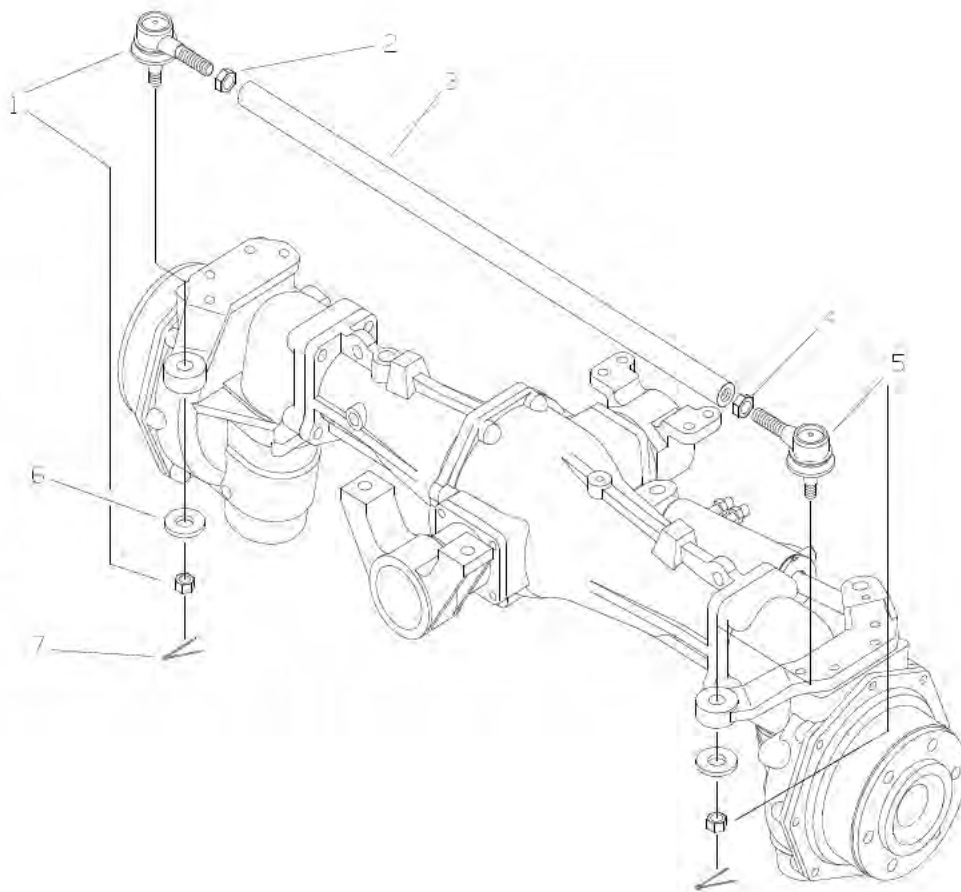
FIG. 5-6

NO.	PART NO.	PART NAME & DESCRIPTION		QTY			APP. NO	REM.
				A	B	C		
1-2	A1490026	FRONT TIRE ASSY	8-16(4PR)	2	2			
1	A01494003	TUBE FRONT		1	1			
2	A01494002	TIRE TRONT		1	1			
3	A1490019	FRONT RIM ASSY		2	2			
4-5	A1490068	REAR TIRE ASSY	12.4-24 (6PR)	2	2			
4	A00010525	TUBE REAR		1	1			
5	A1494065	TIRE REAR		1	1			
6-10	A1490022	REAR RIM ASSY		2	2			
6	A1490023	RIM REAR		1	1			
7	A1490024	DISK REAR		1	1			
8	A1970077	BOLT, HEX		4	4			
9	S306160013	NUT, HEX		4	4			
10	S361160013	WASHER, SPR.		4	4			
11	S103163043	BOLT, HEX	M16x1.5x30L	16	16			
12	S167162523	BOLT, STUD	M16x1.5x25L	8	8			
13	S361160013	WASHER, SPR.	D28/16.2x4T	24	24			
14	S302160043	NUT, HEX	M16x1.5	8	8			

TIE ROD

FIG. 6-1

G. 610



TIE ROD

A-C38, B-C45

A-C38, B-C45

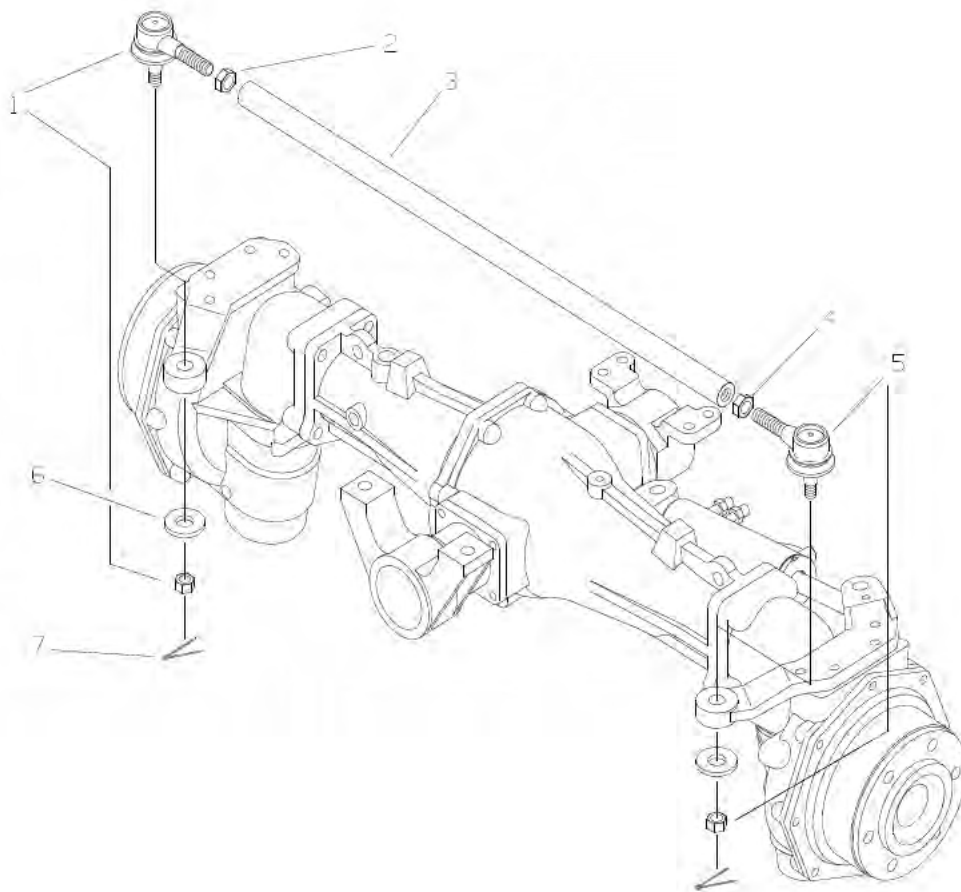
FIG. 6-1

NO.	PART NO.	PART NAME & DESCRIPTION		QTY			APP. NO	REM.
				A	B	C		
1~5	A1610031	TIE ROD ASSY	930L	1	1			
1	A1610036	END ASSY(RH)		1	1			
2	S306180043	NUT, HEX.(RH)	M18×1.5	1	1			
3	A1610034	PIPE, TIE ROD	784L	1	1			
4	A1610023	NUT, HEX.(LH)	M18×1.5	1	1			
5	A1610035	END ASSY(LH)		1	1			
6	S365164013	WASHER, PLAIN	3t	2	2			
7	S441403613	PIN, SPLIT	Φ4×36	2	2			

TIE ROD

FIG. 6-1

G. 610



TIE ROD

A-C38, B-C45

A-C38, B-C45

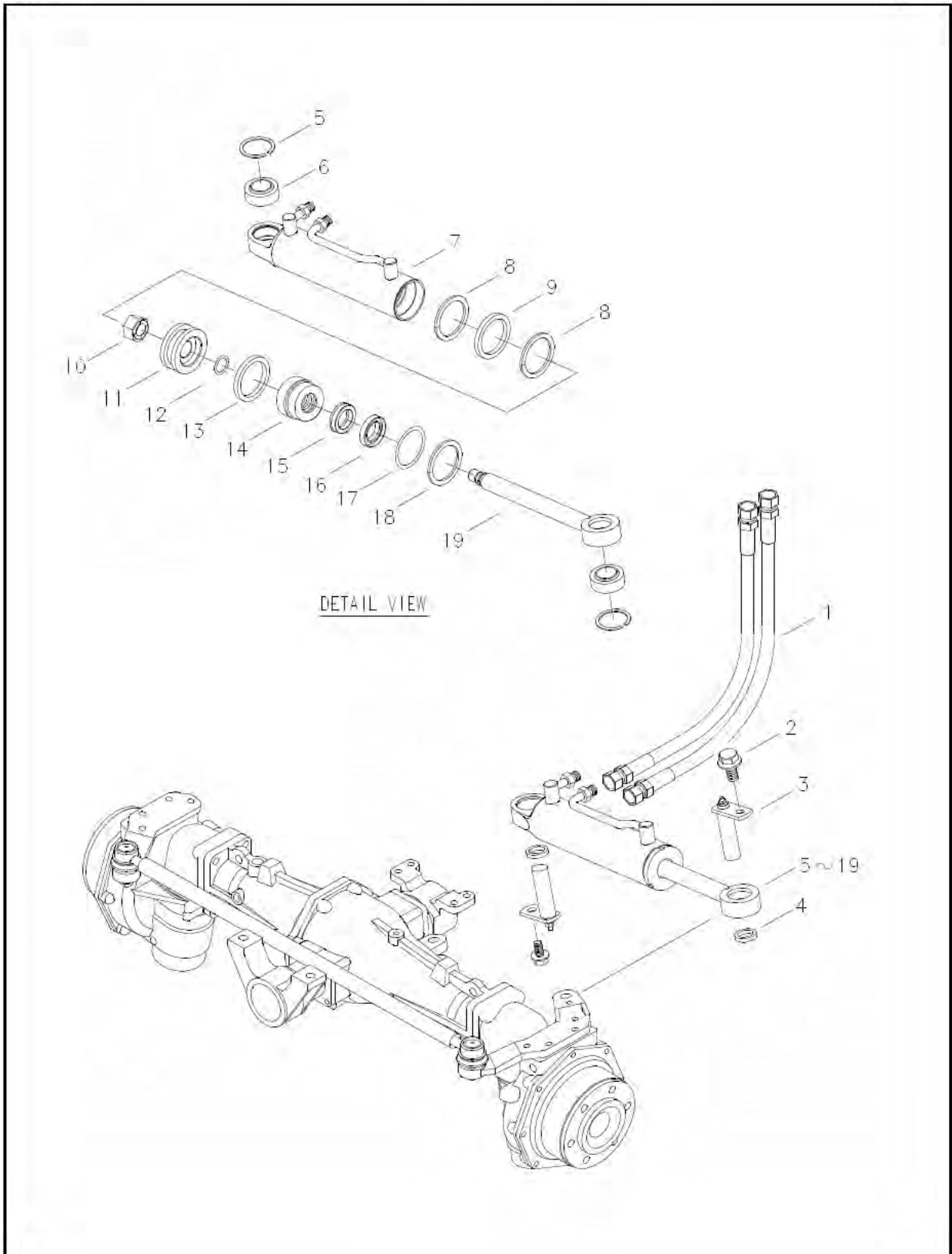
FIG. 6-1

NO.	PART NO.	PART NAME & DESCRIPTION		QTY			APP. NO	REM.
				A	B	C		
1~5	A1610031	TIE ROD ASSY	930L	1	1			
1	A1610036	END ASSY (R)		1	1			
2	S306180043	NUT, HEX (R)	M18×1.5	1	1			
3	A1610034	PIPE, TIEROD	784L	1	1			
4	A1610016	NUT, HEX (L)	M18×1.5	1	1			
5	A1610035	END ASSY (L)		1	1			
6	A1402060	WASHER, PLAIN	3t	2	2			
7	S441403613	PIN, SPLIT	Φ4×36	2	2			

STEERING CYLINDER & LINE

FIG. 6-2

G. 630



STEERING CYLINDER & LINE

A-C38, B-C45

A-C38, B-C45

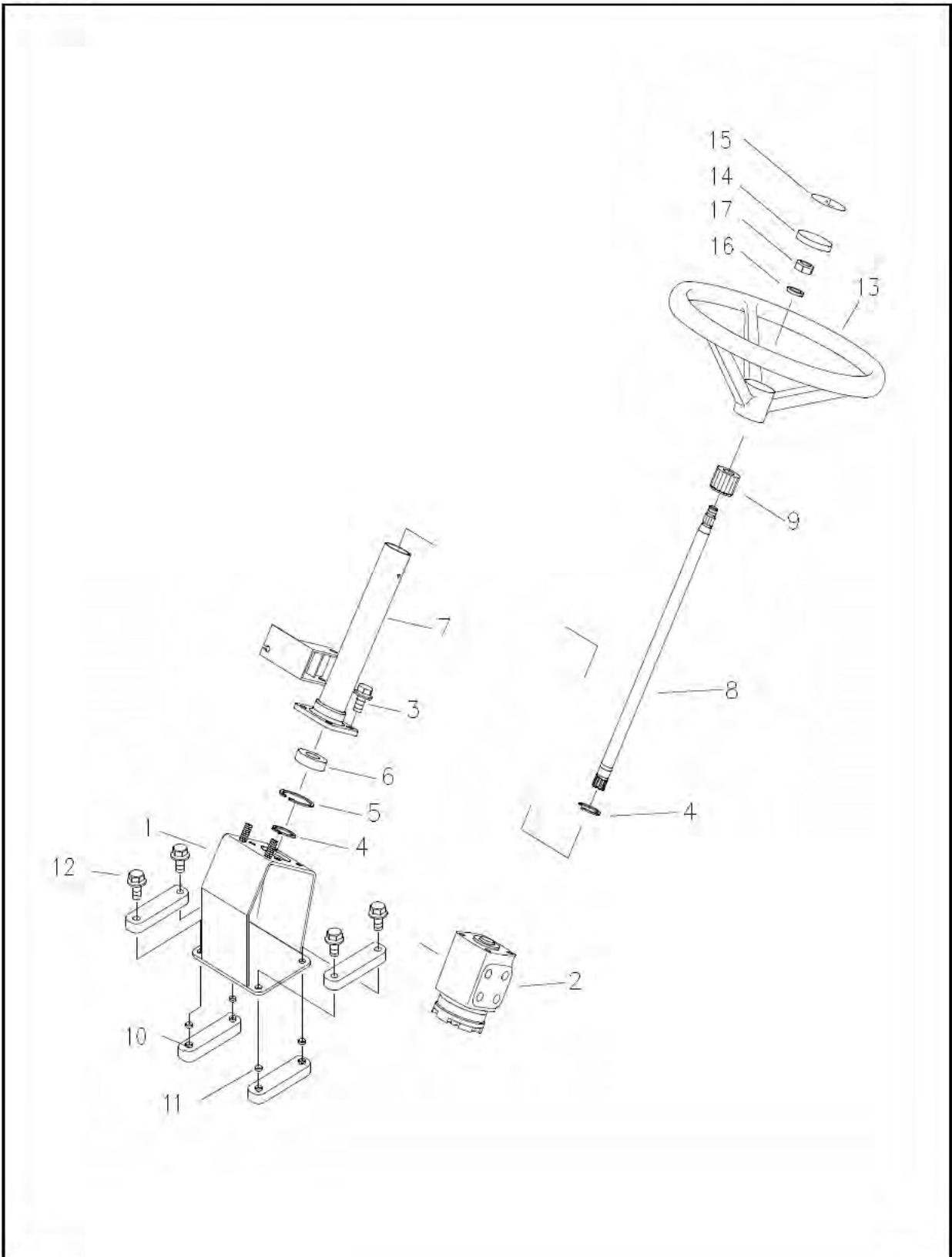
FIG. 6-2

NO.	PART NO.	PART NAME & DESCRIPTION		QTY			APP. NO	REM.
				A	B	C		
1	A1630312	HOSE, STR CYLINDER	730L	2	2			
2	S154102033	BOLT, HEX	M10×1.25×20	2	2			
3	A1630327	PIN, CYLINDER		2	2			
4	A1630135	SPACER	D20×5t	2	2			
5~19	A1630293	CYLINDER ASSY	293-446	1	1			
5	S813035001	RING, SNAP	D35	2	2			
6	A1630159	BUSHING, BALL		2	2			
7	A1630319	CYLINDER ASSY		1	1			
8	A1630161	RING, BACKUP	D50	2	2			
9	A1630162	O-RING	D43.7×3.5	1	1			
10	A1630160	NUT, LOCK	M16×2	1	1			
11	A1630321	PISTON	D50	1	1			
12	S801014010	O-RING	D13.8×2.4	1	1			
13	S801046010	O-RING	D45.7×3.5	1	1			
14	A1630322	SLEEVE		1	1			
15	A1630163	U-PACKING	D22.4	1	1			
16	A1630164	SEAL, DUST	D22.4	1	1			
17	A1630323	RING, WIRE	D2	1	1			
18	A1630324	RING, STOP		1	1			
19	A1630320	ROD, PISTON	D22.4	1	1			

STEERING WHEEL & COLUMN

FIG. 6-3

G. 630



STEERING WHEEL & COLUMN

A-C38, B-C45

A-C38, B-C45

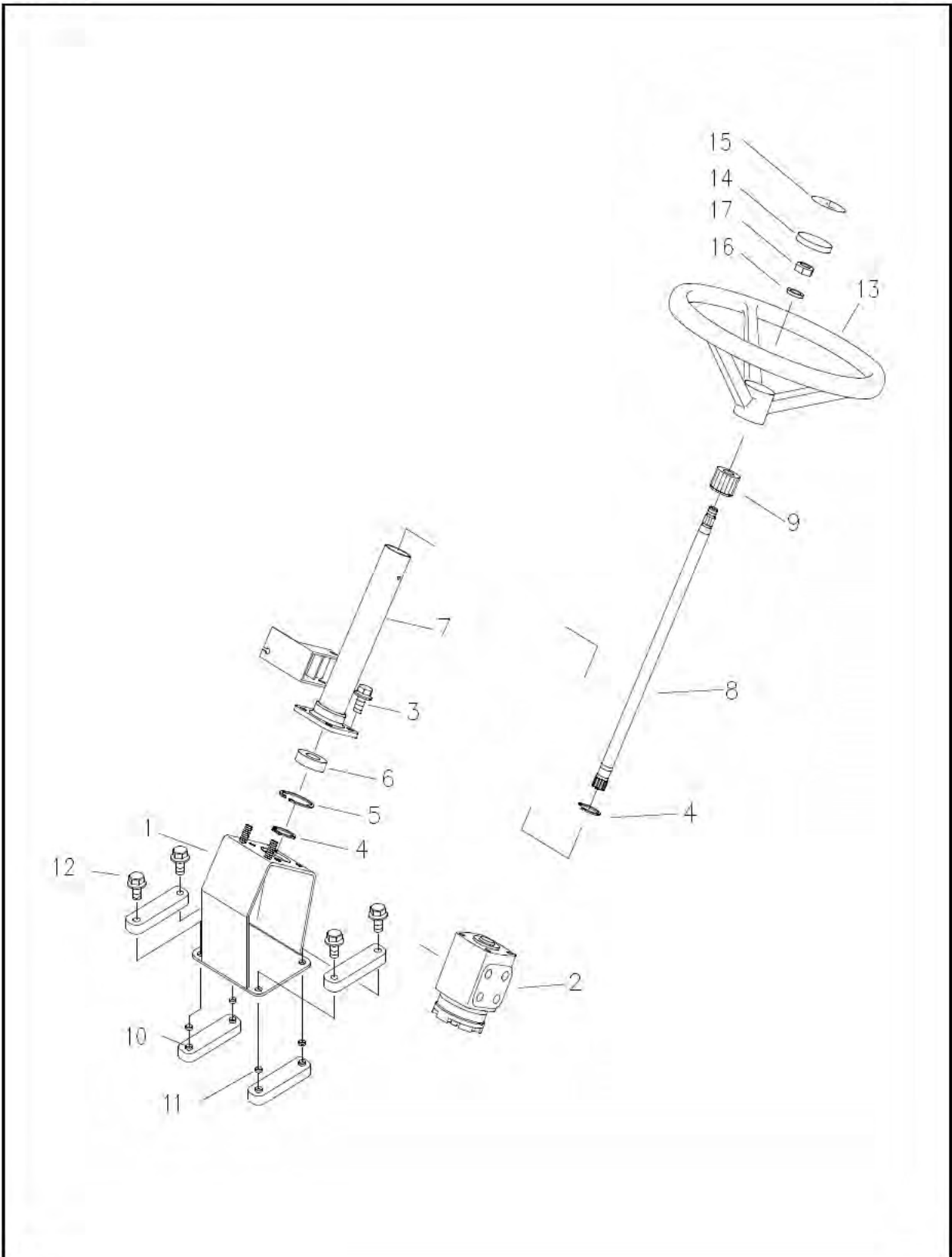
FIG. 6-3

NO.	PART NO.	PART NAME & DESCRIPTION		QTY			APP. NO	REM.
				A	B	C		
1	A1630283	SUPPORT, STEERING		1	1			
2	A1630222	STEERING UNIT	80cc/rev	1	1			
3	S154102533	BOLT, HEX	M10×1.25×25	4	4			
4~9	A1630230	STEERING COLUMN ASSY		1	1			
4	S810020001	RING, SNAP	Φ20	2	2			
5	S811042001	RING, SNAP(C)H	Φ42	1	1			
6	A1970233	BEARING	6004DD (OD42×ID20×12)	1	1			
7	A1630231	COLUMN, STEERING		1	1			
8	A1630232	SHAFT, STEERING	Φ20	1	1			
9	A1630153	SEAL, STEERING		1	1			
10	A1630281	RUBBER, DAMPING	8t	4	4			
11	A1630282	COLLAR, STEERING		4	4			
12	S156103033	BOLT, HEX. W/WASHER	M10×1.25×30	4	4			
13~15	A5002130	STR. WHEEL ASSY		1	1			
13	A5001458	WHEEL, STEERING		1	1			
14	A5000583	CAP, WHEEL		1	1			
15	A1981077	DECAL, LG MARK		1	1			
16	S361140013	WASHER, SPR	Φ14.2×3.5	1	1			
17	S314140013	NUT, HEX	M14×1.5	1	1			

STEERING WHEEL & COLUMN

FIG. 6-3

G. 630



STEERING WHEEL & COLUMN

A-C38, B-C45

A-C38, B-C45

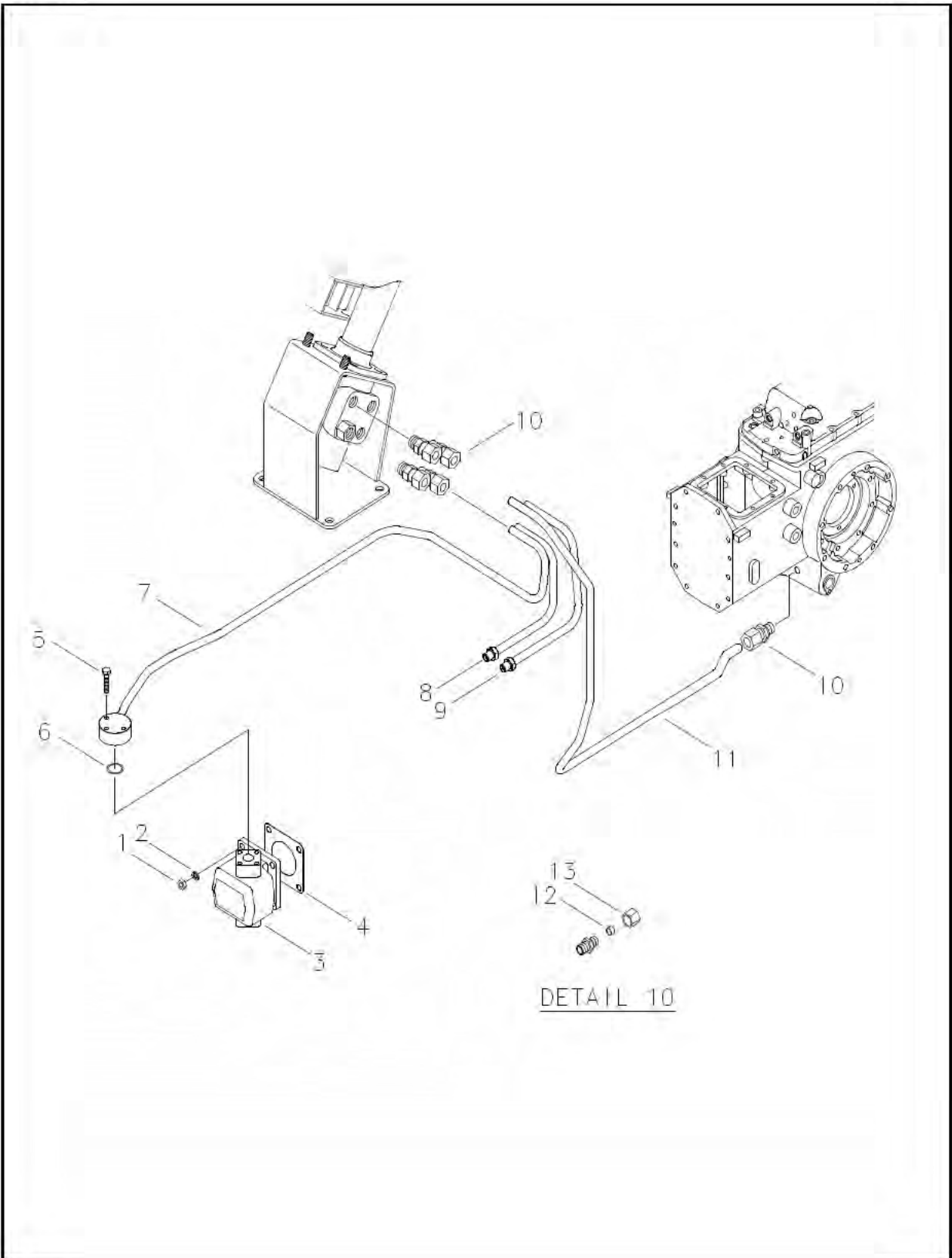
FIG. 6-3

NO.	PART NO.	PART NAME & DESCRIPTION		QTY			APP. NO	REM.
				A	B	C		
1	A1630283	SUPPORT, STEERING		1	1			
2	A1630222	STEERING UNIT	80cc/rev	1	1			
3	S154102533	BOLT, HEX	M10×1.25×25	4	4			
4~9	A1630230	STEERING COLUMN ASSY		1	1			
4	S810020001	RING, SNAP	Φ20	2	2			
5	S811042001	RING, SNAP(C)H	Φ42	1	1			
6	A1970233	BEARING	6004DD (OD42×ID20×12)	1	1			
7	A1630231	COLUMN , STEERING		1	1			
8	A1630232	SHAFT , STEERING	Φ20	1	1			
9	A1630153	SEAL , STEERING		1	1			
10	A1630281	RUBBER, DAMPING	8t	4	4			
11	A1630282	COLLAR, STEERING		4	4			
12	S156103033	BOLT, HEX . W/WASHER	M10×1.25×30	4	4			
13~15	A5002130	STR. WHEEL ASSY		1	1			
13	A5001458	WHEEL, STEERING		1	1			
14	A5000583	CAP, WHEEL		1	1			
15	A1980437	DECAL, LG MARK		1	1			
16	S361140013	WASHER, SPR	Φ14.2×3.5	1	1			
17	S314140013	NUT, HEX	M14×1.5	1	1			

STEERING LINE

FIG. 6-4

G. 630



DETAIL 10

STEERING LINE

A-C38, B-C45

A-C38, B-C45

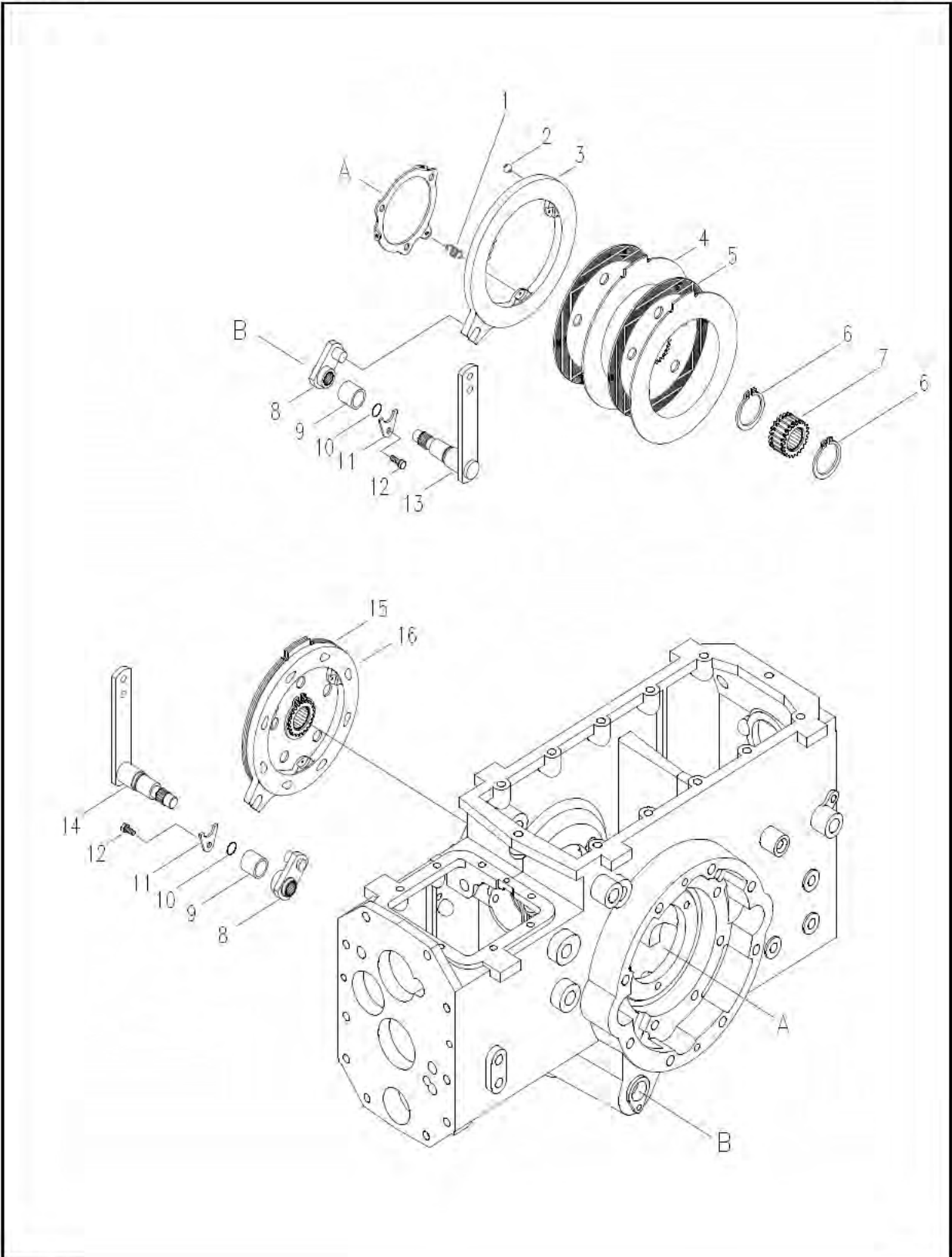
FIG. 6-4

NO.	PART NO.	PART NAME & DESCRIPTION		QTY			APP. NO	REM.
				A	B	C		
1	S313080013	NUT, HEX	M8×1.25	4	4			
2	S361080013	WASHER, SPRING	Φ15.4×Φ8.2×2t	4	4			
3	A1630467	PUMP, STEERING	7.91cc/rev	1	1			
4	3A1823010	PACKING, PUMP	0.6t	1	1			
5	S153063033	BOLT, HEX	M6×1.0×30	3	3			
6	S801018010	O-RING	D17.8×2.4	1	1			
7,10	A1CMS809	P/S PRESSURE PIPE SUB		1	1			
7	A1630443	PIPE, P/S PRESSURE		1	1			
8,10	A1CMS811	P/S PIPE RH SUB		1	1			
8	A1630445	PIPE, P/S(RH)		1	1			
9,10	A1CMS810	P/S PIPE LH SUB		1	1			
9	A1630444	PIPE, P/S(LH)		1	1			
10	A1630144	JOINT	BOM12-03G	5	5			
10,11	A1630496	P/S DRAIN ASSY		1	1			
11	A1630497	PIPE, P/S DRAIN		1	1			
12	A1630169	SLEEVE	Φ12	5	5			
13	A1630170	NUT, HEX		5	5			

BRAKE

FIG. 7-1

G. 650



BRAKE

A-C38, B-C45

A-C38, B-C45

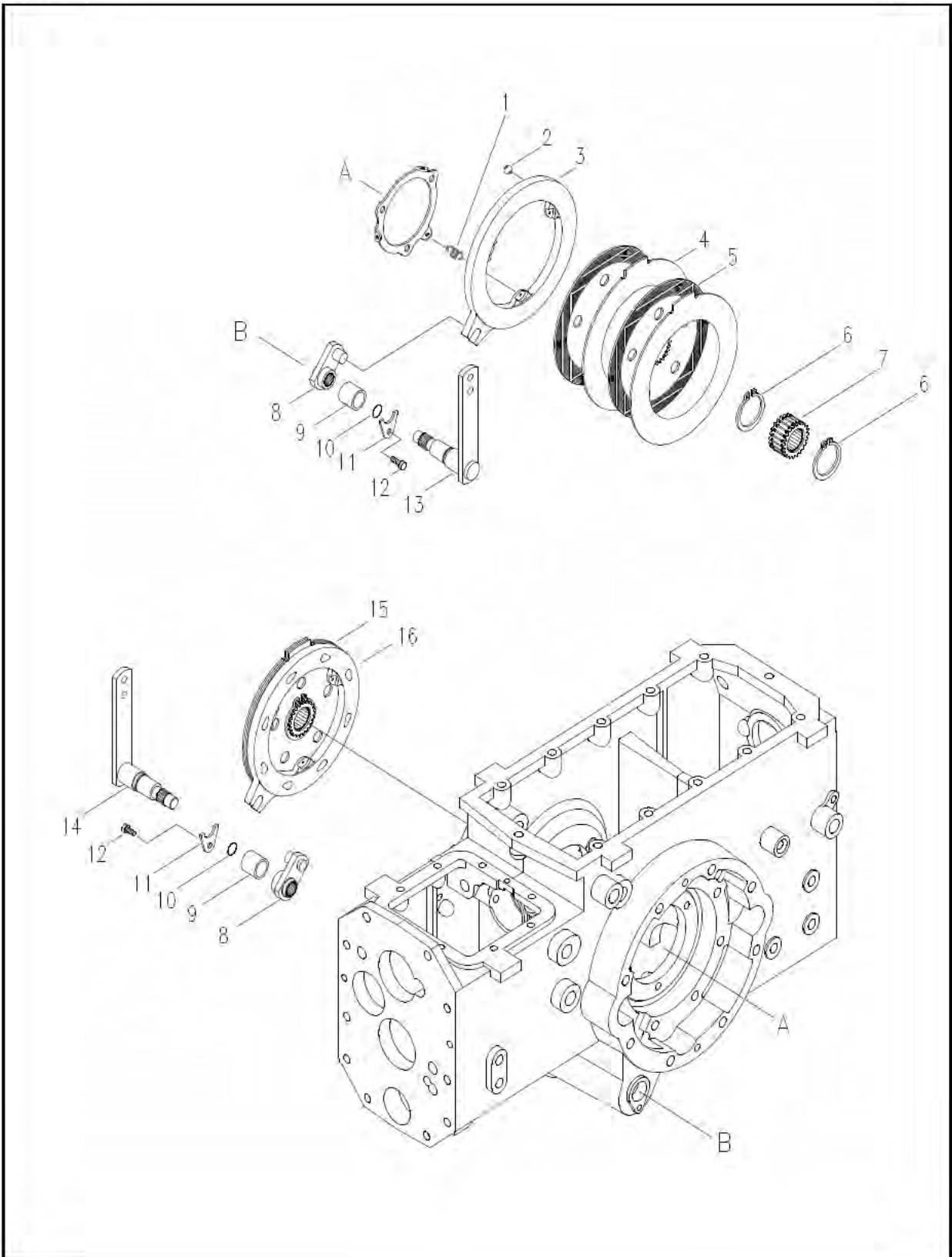
FIG. 7-1

NO.	PART NO.	PART NAME & DESCRIPTION		QTY			APP. NO	REM.
				A	B	C		
1-7	A1650072	BRAKE ASSY(LH)		1	1			
1	3A1653010	SPRING	D2	3	3			
2	3A1653007	BALL	1/2"	8	8			
3	A1650077	PLATE, CAM(LH)		1	1			
4	A1650107	PLATE, PRESSURE		2	2			
5	A1653063	PLATE, FRICTION		2	2			
6	S810058001	RING, SNAP	D53.8x2t	2	2			
7	A1650078	BOSS, SPLINE		1	1			
8	A1650079	INNER ARM, BRAKE		2	2			
9	A0677815	BUSHING, DU		2	2			
10	S801025010	O-RING		2	2			
11	A1650080	PLATE, BRAKE LEVER		2	2			
12	S154102033	BOLT, HEX	M10x1.25x20L	2	2			
13	A1670284	LEVER, BRAKE(LH)		1	1			
14	A1670285	LEVER, BRAKE(RH)		1	1			
15	A1650071	BRAKE ASSY(RH)		1	1			
16	A1650076	PLATE, CAM(RH)		1	1			

BRAKE

FIG. 7-1

G. 650



BRAKE

A-C38, B-C45

A-C38, B-C45

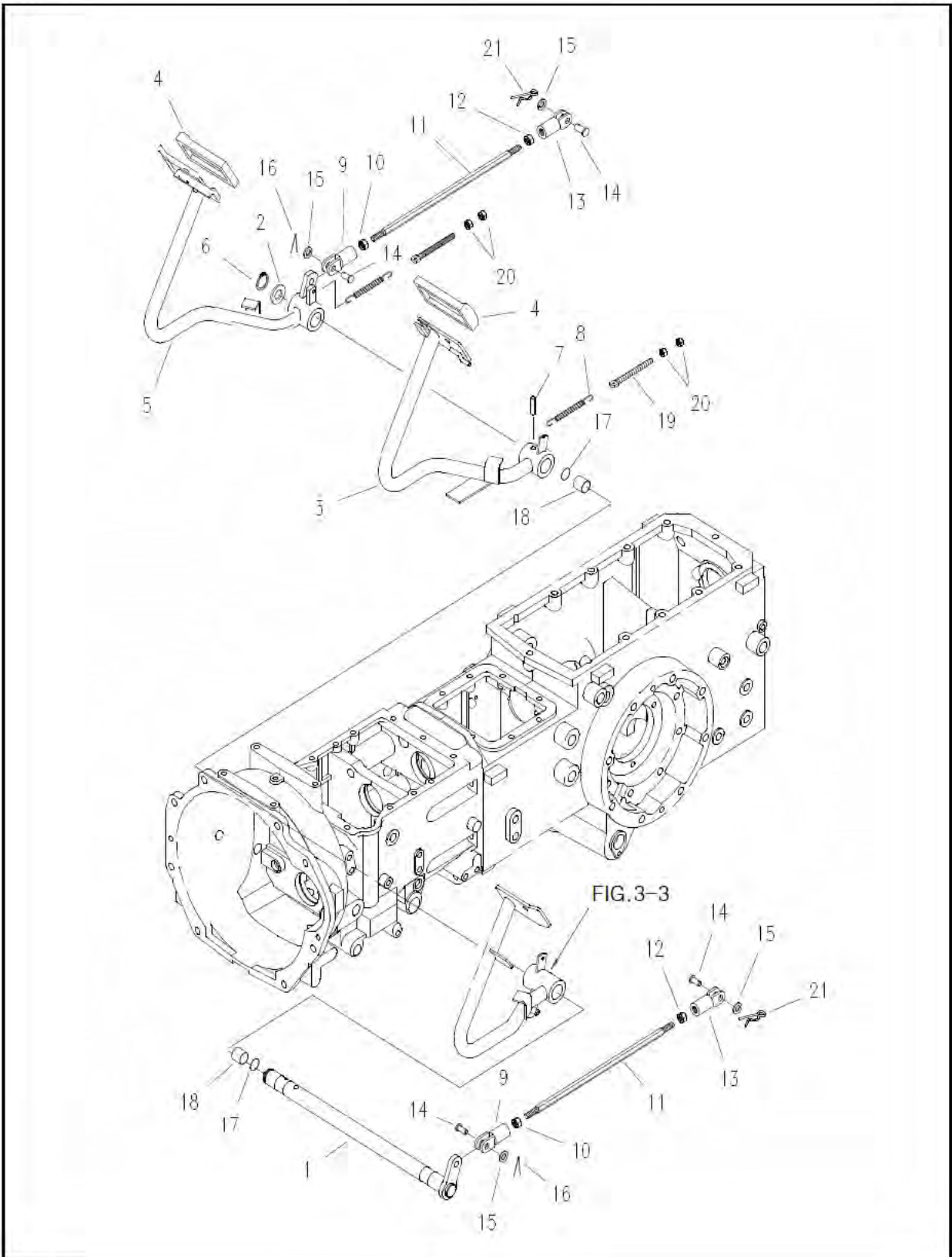
FIG. 7-1

NO.	PART NO.	PART NAME & DESCRIPTION			QTY			APP. NO	REM.
					A	B	C		
1-7	A1650072	브레이크 조립체(좌)	BRAKE ASSY(LH)		1	1			
1	3A1653010	스프링	SPRING	D2	6	6			
2	3A1653007	볼	BALL	1/2"	16	16			
3	A1650077	캠플레이트(좌)	PLATE, CAM(LH)		1	1			
4	A1653065	압력판	PLATE, PRESSURE		4	4			
5	A1653063	마찰판	PLATE, FRICTION		4	4			
6	S810058001	스냅링	RING, SNAP	D53.8x2t	4	4			
7	A1650078	보스	BOSS, SPLINE		2	2			
8	A1650079	암	INNER ARM, BRAKE		2	2			
9	A0677812	부싱	BUSHING, DU		2	2			
10	S801025010	오-링	O-RING		2	2			
11	A1650080	플레이트	PLATE, BRAKE LEVER		2	2			
12	S154102033	볼트	BOLT, HEX	M10x1.25x20L	2	2			
13	A1670284	브레이크 러버(좌)	LEVER, BRAKE(LH)		1	1			
14	A1670285	브레이크 러버(우)	LEVER, BRAKE(RH)		1	1			
15	A1650071	브레이크 조립체(우)	BRAKE ASSY(RH)		1	1			
16	A1650076	캠플레이트(우)	PLATE, CAM(RH)		1	1			

BRAKE PEDALS

FIG. 7-2

G. 670



BRAKE PEDALS

A-C38, B-C45

A-C38, B-C45

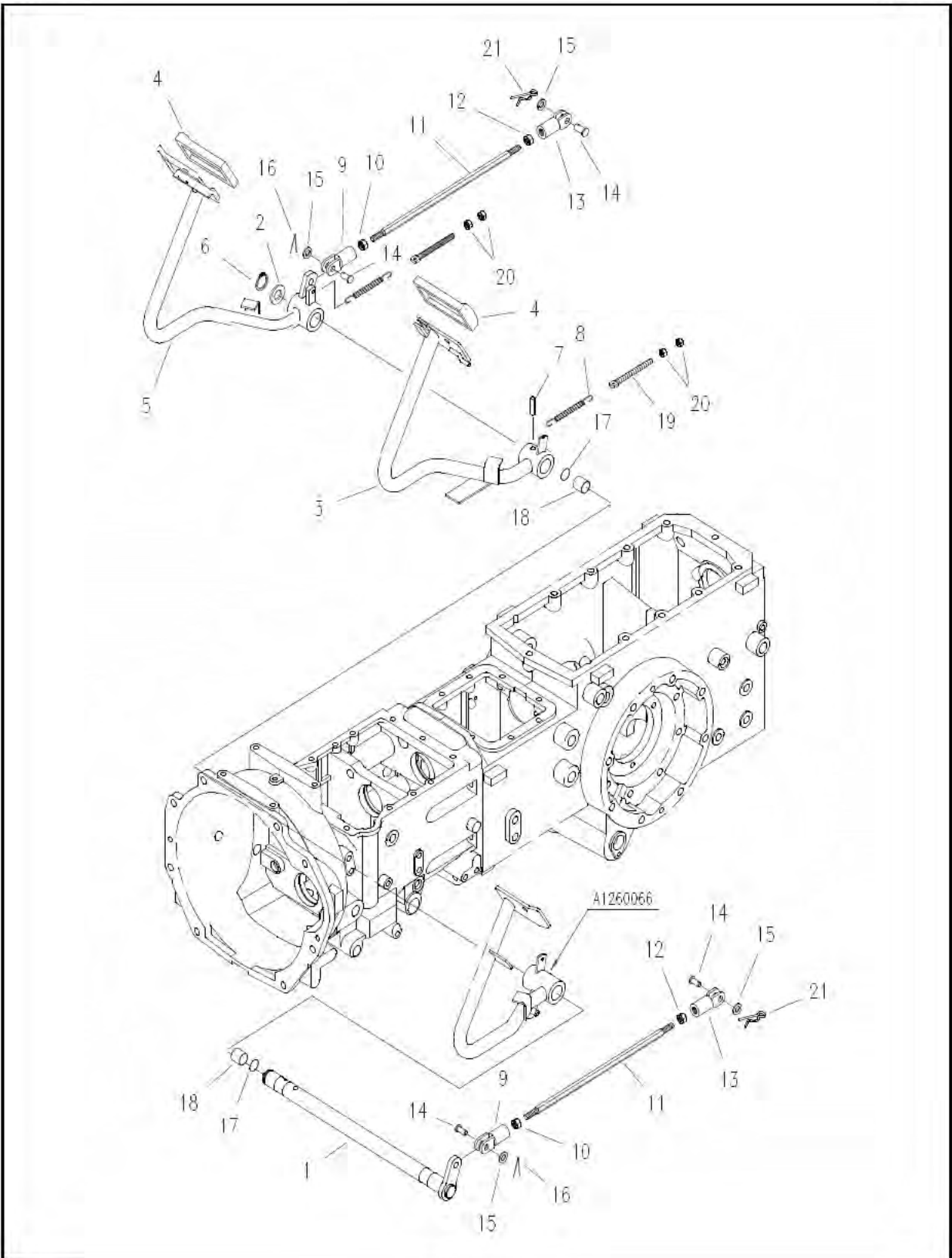
FIG. 7-2

NO.	PART NO.	PART NAME & DESCRIPTION	QTY			APP. NO	REM.
			A	B	C		
1	A1670327	SHAFT, BRAKE PEDAL	1	1			
2	S364240013	WASHER, FLAT	1	1			
3	A1670150	PEDAL, BRAKE (LH)	1	1			
4	A1670084	PAD, PEDAL	2	2			
5	A1670253	PEDAL, BRAKE (RH)	1	1			
6	S810025001	RING, SNAP	1	1			
7	S446084012	PIN, SPRING	1	1			
8	A1670288	SPRING	2	2			
9-13	A1670146	BRAKE ROD ASSY	2	2			
9	A1670148	END#1, BRAKE ROD	1	1			
10	S313100013	NUT, HEX	1	1			
11	A1670147	ROD, BRAKE	1	1			
12	A0611050	NUT, HEX	1	1			
13	A1670149	END#2, BRAKE ROD	1	1			
14	A1670118	PIN, CLEVIS	4	4			
15	S364100013	WASHER, PLAIN	4	4			
16	S441252013	PIN, SPLIT	2	2			
17	S801025010	O-RING	2	2			
18	A1970203	BUSHING	2	2			
19	A1260073	BOLT, ADJUSTER	2	2			
20	S313080043	NUT, HEX	4	4			
21	S443120013	PIN, CLIP	2	2			

BRAKE PEDALS

FIG. 7-2

G. 650



BRAKE PEDALS

A-C38, B-C45

A-C38, B-C45

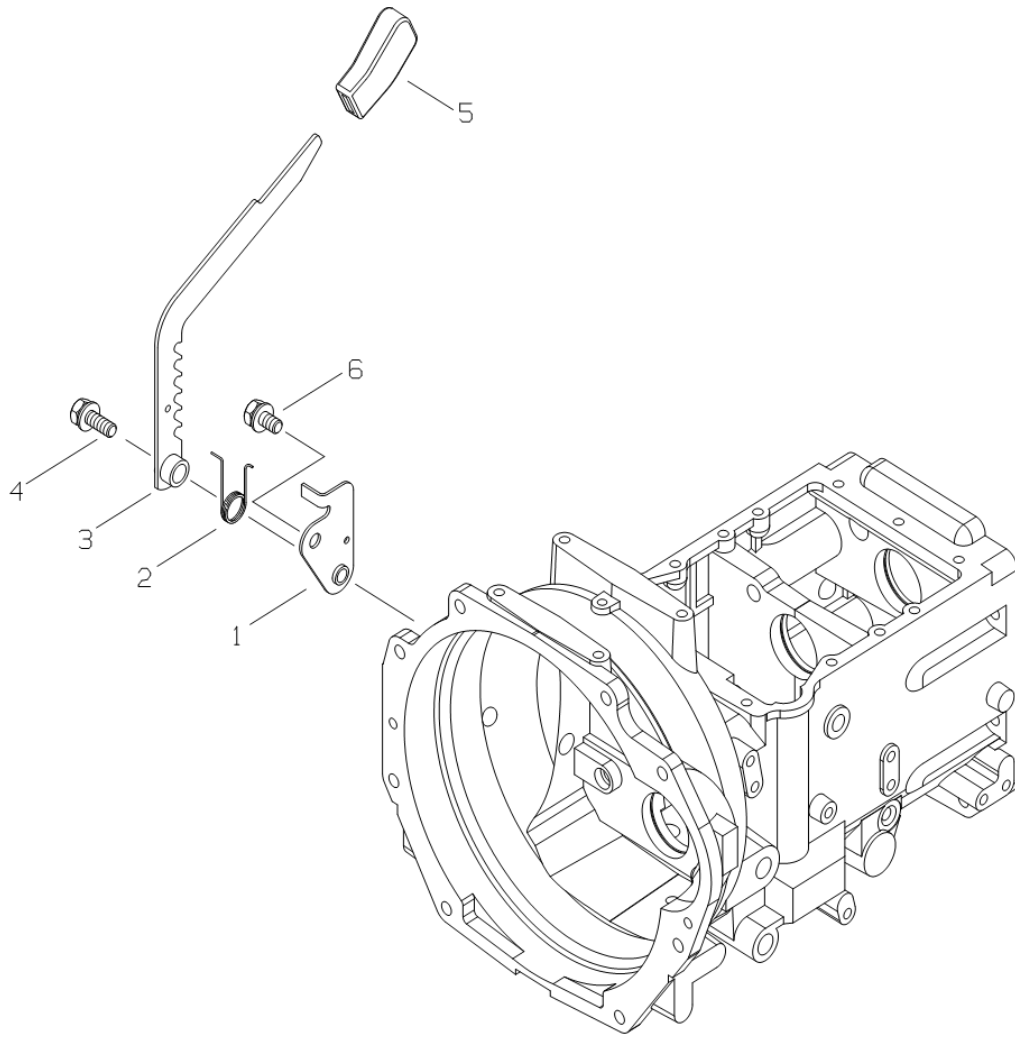
FIG. 7-2

NO.	PART NO.	PART NAME & DESCRIPTION		QTY			APP. NO	REM.
				A	B	C		
1	A1670152	SHAFT, BRAKE PEDAL		1	1			
2	S364240013	WASHER, FLAT	OD44xID25x4.0t	1	1			
3	A1670150	PEDAL, BRAKE (LH)		1	1			
4	A1670084	PAD, PEDAL		2	2			
5	A1670253	PEDAL, BRAKE (RH)		1	1			
6	S810025001	RING, SNAP	OD23.2x1.2t	1	1			
7	S446084012	PIN, SPRING	D8x40L	1	1			
8	A1670288	SPRING		2	2			
9-13	A1670146	BRAKE ROD ASSY		2	2			
9	A1670148	END#1, BRAKE ROD		1	1			
10	S313100013	NUT, HEX	M10x1.5(R)	1	1			
11	A1670147	ROD, BRAKE	M12	1	1			
12	A0611050	NUT, HEX	M10x1.5(L)	1	1			
13	A1670149	END#2, BRAKE ROD		1	1			
14	A1670118	PIN, CLEVIS	D10x26	4	4			
15	S363100013	WASHER, PLAIN	OD18xID10.5x2.0t	4	4			
16	S441302013	PIN, SPLIT	D3.0x20	2	2			
17	S801025010	O-RING	D24.7xW3.5	2	2			
18	A1970203	BUSHING	OD28xID25x20L	2	2			
19	A1260073	ADJUSTER	M8x1.25	2	2			
20	S301080043	NUT, HEX	M8x1.25	4	4			
21	S443120013	PIN, CLIP	D12x35.8	2	2			

PARKING BRAKE LEVER

FIG. 7-3A

G. 670



PARKING BRAKE LEVER

A-C38, B-C45

A-C38, B-C45

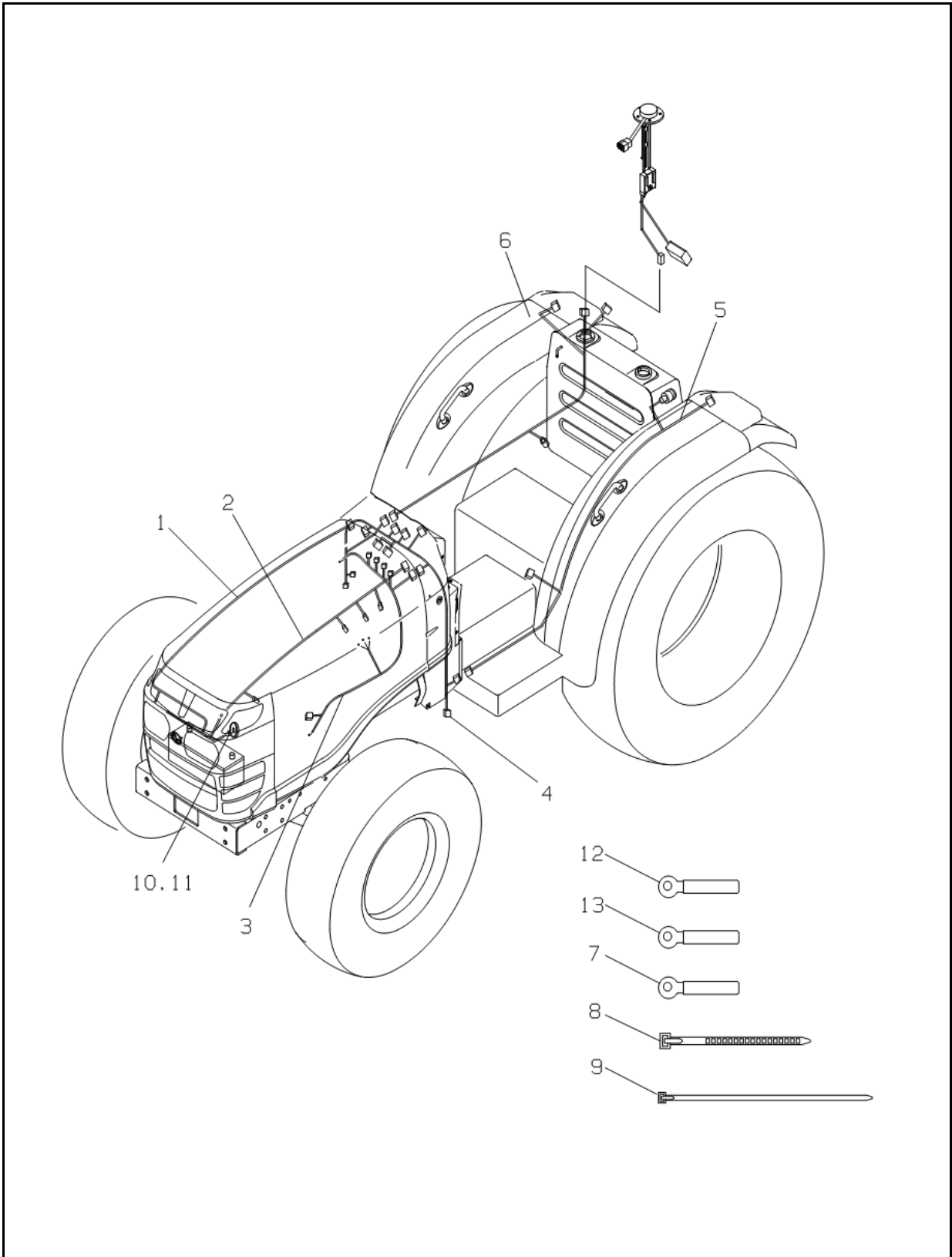
FIG. 7-3A DO, MY, EX, AG, TF

NO.	PART NO.	PART NAME & DESCRIPTION	QTY			APP. NO	REM.
			A	B	C		
1	A1670156	BRACKET	1	1			
2	A1670154	SPRING	1	1			
3	A1670153	RATCHET, PARKING	1	1			
4	S156103533	BOLT, HEX. W/WASHER	1	1			
5	A1970241	GRIP	1	1			
6	S156102533	BOLT, HEX. W/WASHER	1	1			

ELECTRICAL WIRING

FIG. 8-1B

G. 730



ELECTRICAL WIRING

A-C38, B-C45

A-C38, B-C45

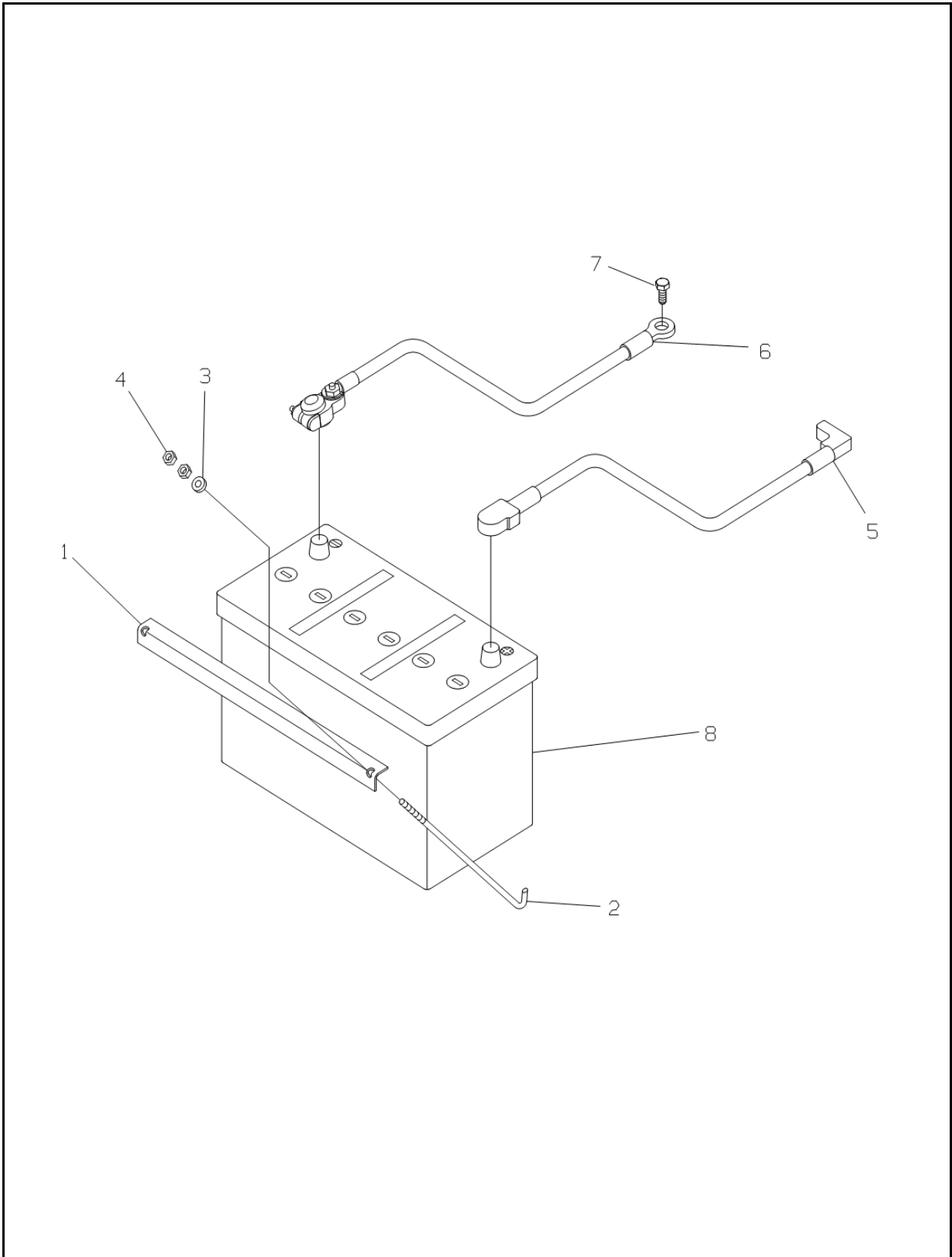
FIG. 8-1B EX, AG

NO.	PART NO.	PART NAME & DESCRIPTION	QTY			APP. NO	REM.
			A	B	C		
1	A1730152	HARNESS, FRONT LIGHT	1	1			
2	A1730093	HARNESS, FRONT SENSOR	1	1			
3	A1730177	HARNESS, ENGINE UNIT	1	1			
4	A1730207	HARNESS, PANEL	1	1			
5	A1730183	HARNESS, REAR(LH)	1	1			
6	A1730182	HARNESS, MIDDLE	1	1			
7	A0640015	CLAMP	5	5			
8	A0640028	BAND, WIRE	14	14			
9	A0640009	BAND, WIRE	5	5			
10	S155062033	BOLT, HEX M6x1.0x20L	1	1			
11	A5002054	HORN	1	1			
12	A0640103	CLAMP	3	3			
13	A0641020	CLAMP	1	1			

BATTERY

FIG. 8-2

G. 740



BATTERY

A-C38, B-C45

A-C38, B-C45

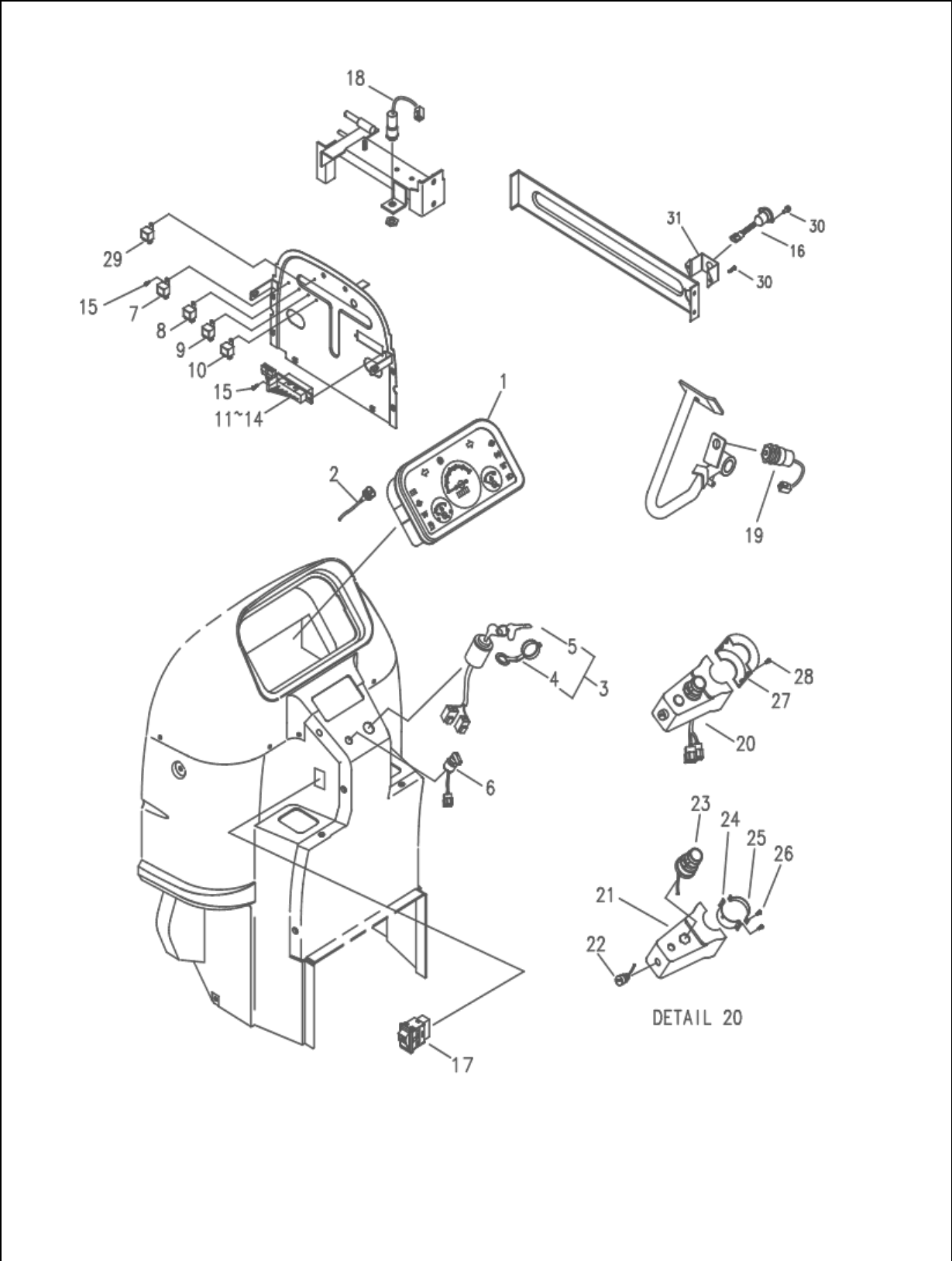
FIG. 8-2

NO.	PART NO.	PART NAME & DESCRIPTION		QTY			APP. NO	REM.
				A	B	C		
1	A1740003	CLAMP, BATTERY		1	1			
2	A1741021	ROD, BATTERY CLAMP		2	2			
3	S363060013	WASHER, PLAIN	M6	2	2			
4	S305060013	NUT, HEX	M6x1.0P	4	4			
5	A1740020	CABLE, BATTERY (+) POS.		1	1			
6	A1740030	CABLE, BATTERY (-) NEG.		1	1			
7	S155082033	BOLT, HEX. W/WASHER	M8x1.25x20L	1	1			
8	A1740002	BATTERY, MF	12V-80AH	1	1			

INSTRUMENT PANEL

FIG. 8-3B

G. 750



INSTRUMENT PANEL

A-C38, B-C45

A-C38, B-C45

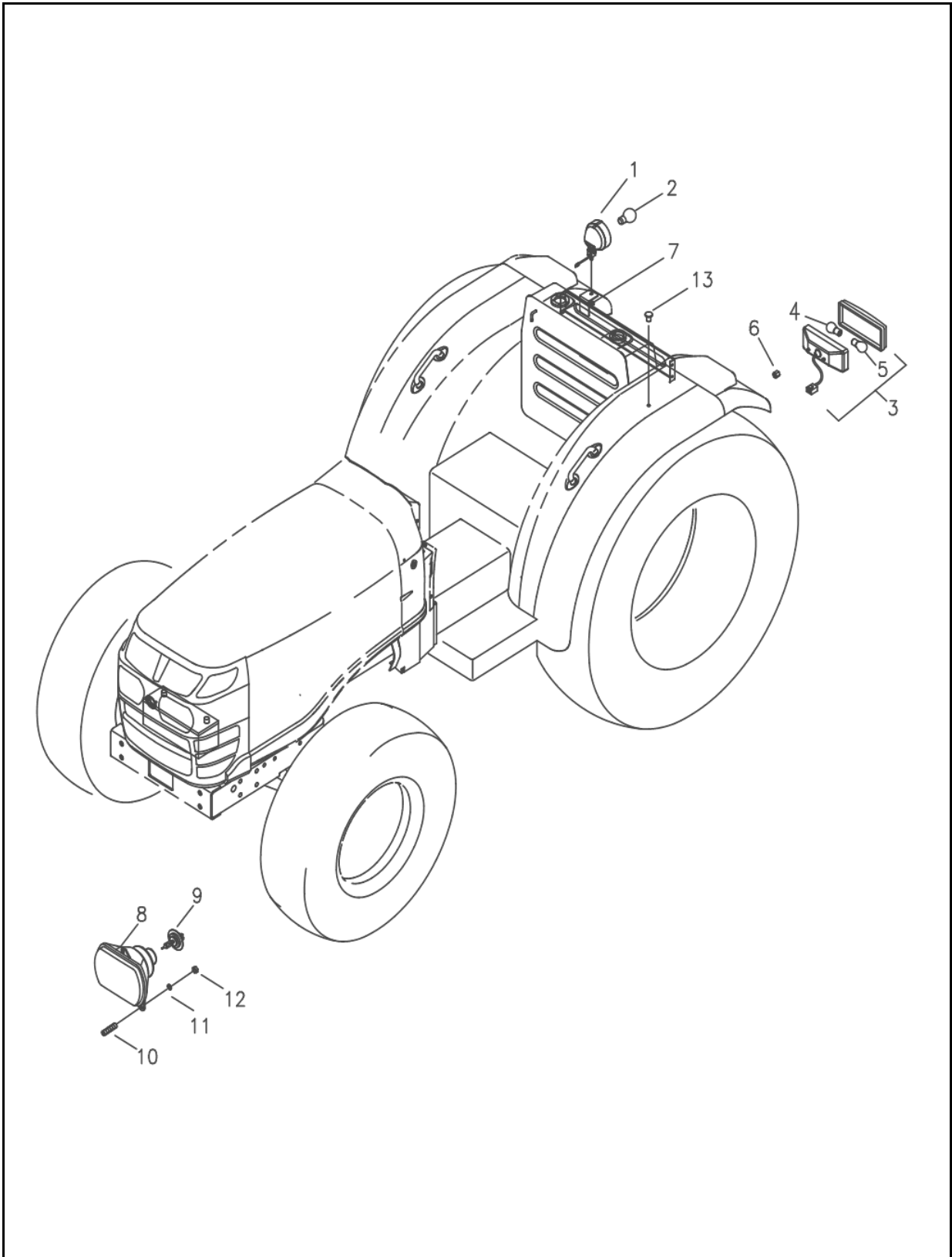
FIG. 8-3B EX, AG

NO.	PART NO.	PART NAME & DESCRIPTION		QTY			APP. NO	REM.
				A	B	C		
1	A1750294	INSTRUMENT PANEL ASSY		1	1			
-	A1750140	LAMP	12V, 1.4W	7	7			
-	A1750141	LAMP	12V, 3.4W	7	7			
2	A1750165	CABLE, TACHOMETER		1	1			
3	A5001132	KEY SWITCH ASSY		1	1			
4	A5001135	CAP, KEY		1	1			
5	A1750290	KEY		1	1			
6	A1750152	SWITCH, PTO SELLECTOR		1	1			
7	Q1800011	GLOW RELAY ASSY		1	1			
8	Q1800017	TIMER, GLOW		1	1			
9	Q1800018	RELAY, START		1	1			
10	A30G0005	RELAY		1	1			
11~14	A1750124	FUSE BOX ASSY		1	1			
11	A30C0075	BOX, FUSE		1	1			
12	A0751005	FUSE, 10A	10A	4	4			
13	A0751006	FUSE, 15A	15A	3	3			
14	A0751007	FUSE, 20A	20A	2	2			
15	S159061633	BOLT, HEX	M6x1.0x16L	7	7			
16	A1730171	7-POLE CONNECTOR ASS'Y		1	1			OPT
17	A1750161	SWITCH, EMERGENCY		1	1			
18	A1750173	SWITCH, BRAKE		1	1			
19	A1750174	SWITCH, START/PTO		1	1			
20	A1750258	STR. COLUMN S/W ASSY		1	1			
21	A1750178	COVER, COMBI SWITCH		1	1			
22	A1750179	SWITCH, HORN		1	1			
23	A1750257	SWITCH, COMBI		1	1			
24	A1750181	CLAMP A		1	1			
25	A1750182	CLAMP B		1	1			
26	S226401211	SCREW, W/SPR.	M4x0.7x12L	4	4			
27	A1750153	COVER, COMBI SWITCH		1	1			
28	S224402511	SCREW, CROSS	M4x0.7x25L	4	4			
29	Q1800010	RELAY, KEY OFF		1	1			
30	S155081633	BOLT, HEX. W/WASHER	M8x1.25x16L	4	4			
31	A1750267	BRACKET, 7-POLE		1	1			

LAMP

FIG. 8-4B

G. 760



LAMP

A-C38, B-C45

A-C38, B-C45

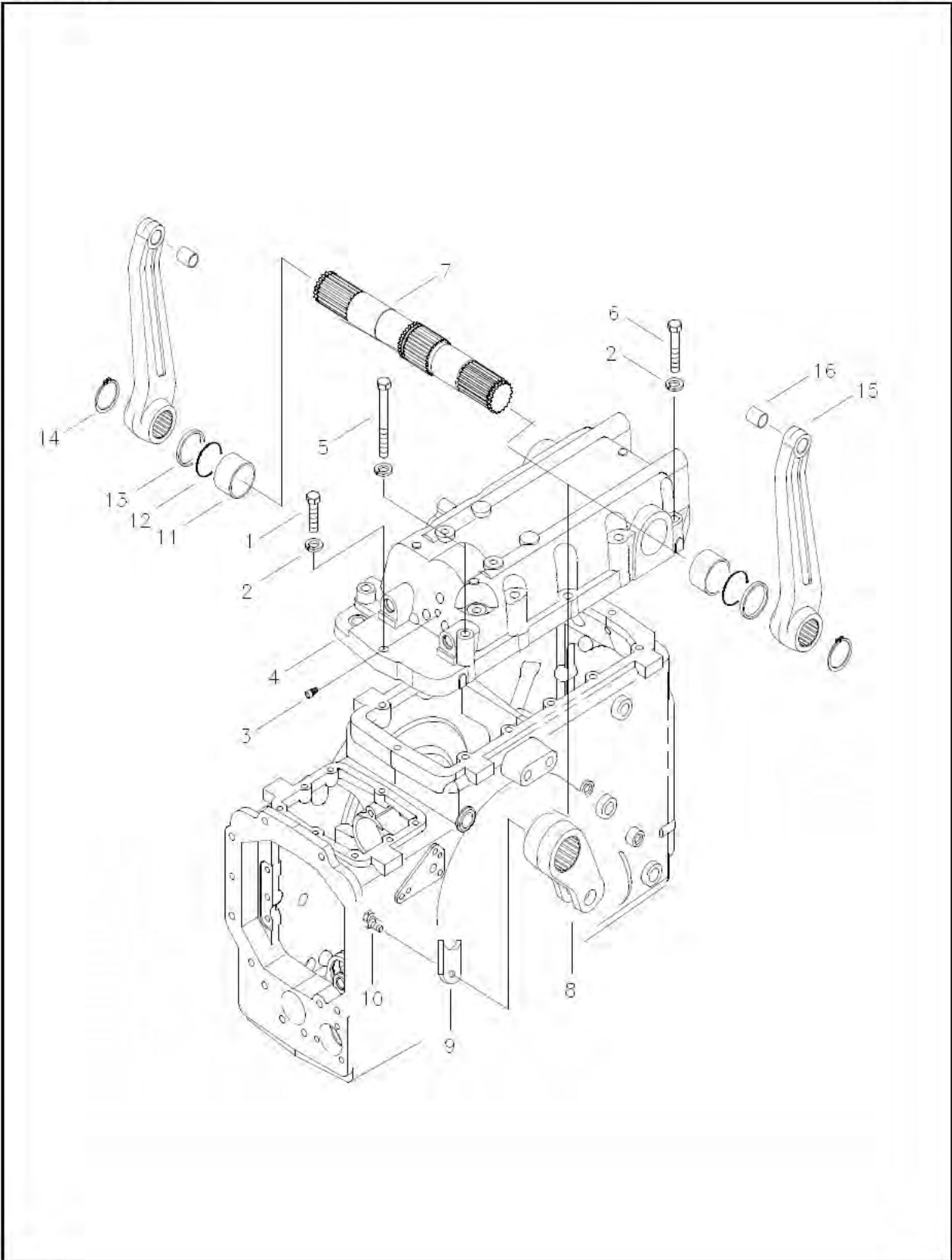
FIG. 8-4B EX, AG, TF

NO.	PART NO.	PART NAME & DESCRIPTION		QTY			APP. NO	REM.
				A	B	C		
1	A1760037	LAMP, WORKING		1	1			
2	A1760043	BULB	12V/23W	1	1			
3	A1760047	COMBI LAMP ASSY		2	2			
4	A1760016	BULB	12V/21/5W	2	2			
5	A1760017	BULB	12V/21W	3	3			
6	S345050013	NUT, HEX	M5x1.0P	4	4			
7	S313080013	NUT, HEX	M8x1.25P	1	1			
8	A1760044	HEAD LAMP		2	2			
9	A1760048	BULB	12V, 40/45W	2	2			
10	A1760003	SPRING		6	6			
11	S364060013	WASHER, PLN. F-RD		6	6			
12	A1970309	NUT, LOCK		6	6			
13	A0610083	PLUG		2	2			

HYDRAULIC HOUSING

FIG. 9-1A

G. 820



HYDRAULIC HOUSING

A-C38, B-C45

A-C38, B-C45

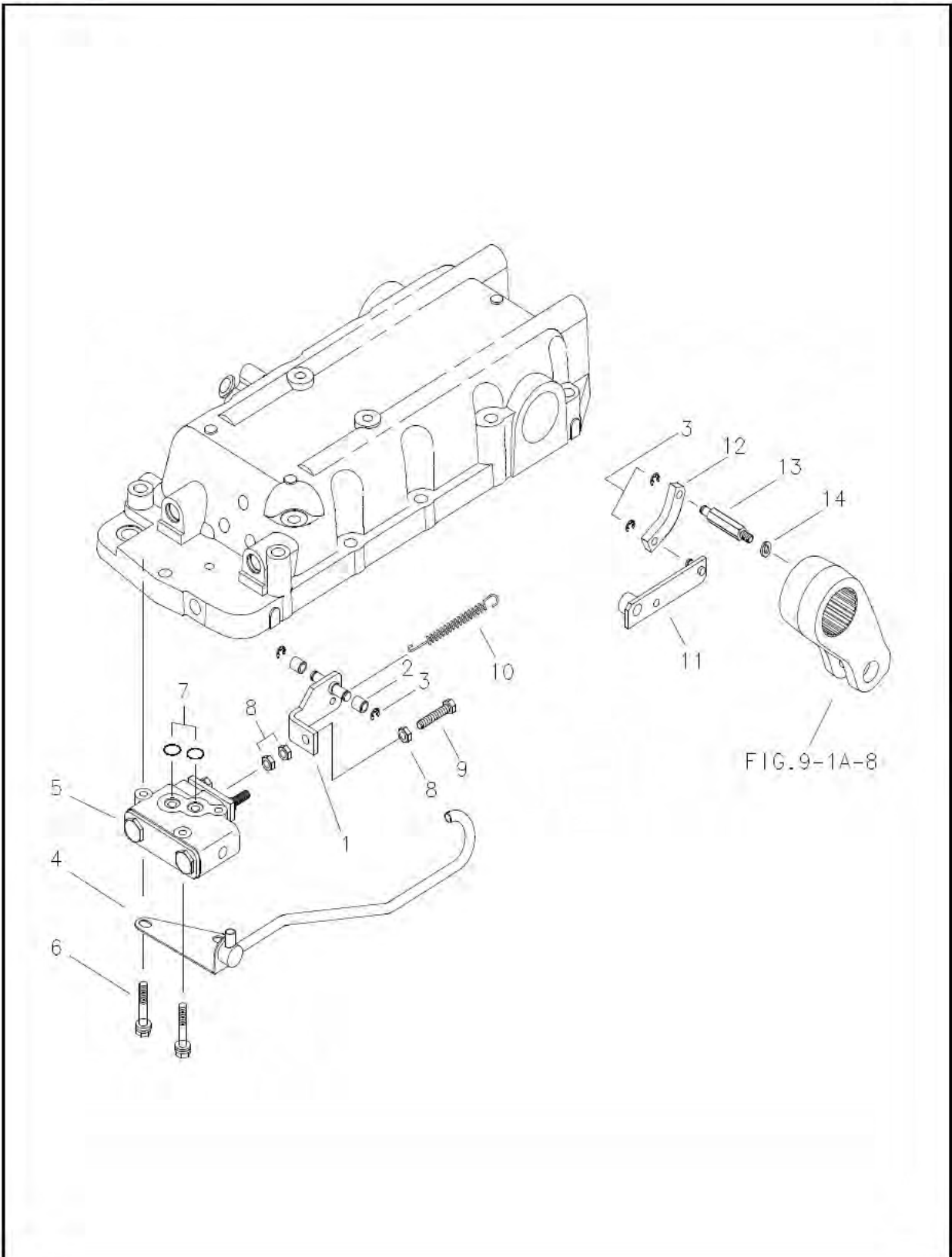
FIG. 9-1A

NO.	PART NO.	PART NAME & DESCRIPTION		QTY			APP. NO	REM.
				A	B	C		
1	S105124543	BOLT, HEX. SMALL	M12×1.75×45	4	4			
2	S361120013	WASHER, SPRING	Φ21.5×Φ12.2×3t	12	12			
3	A1250049	PLUG, AIRVENT		1	1			
4	A1820032	HOUSING, HYD		1	1			
5	S105128543	BOLT, HEX. SMALL	M12×1.75×85	4	4			
6	S105126043	BOLT, HEX. SMALL	M12×1.75×60	4	4			
7	A1821030	SHAFT, HYD. LIFT		1	1			
8	A1821029	ARM, POWER		1	1			
9	A1826094	PLATE, LOCK		1	1			
10	S153081633	BOLT, HEX	M8×1.25×16	1	1			
11	3A1821005	BUSHING	Φ45×Φ50×30	2	2			
12	S802045010	O-RING	D44.4×3.1	2	2			
13	3A1821004	COLLAR	Φ45×Φ50×5	2	2			
14	S810042001	RING, SNAP	Φ38.5	2	2			
15	2A1821006	ARM, LIFT		2	2			
16	3A1821007	BUSHING	Φ19×Φ22×25	2	2			

LIFT CONTROL VALVE & LINK

FIG. 9-2B

G. 822



LIFT CONTROL VALVE & LINK

A-C38, B-C45

A-C38, B-C45

FIG. 9-2B

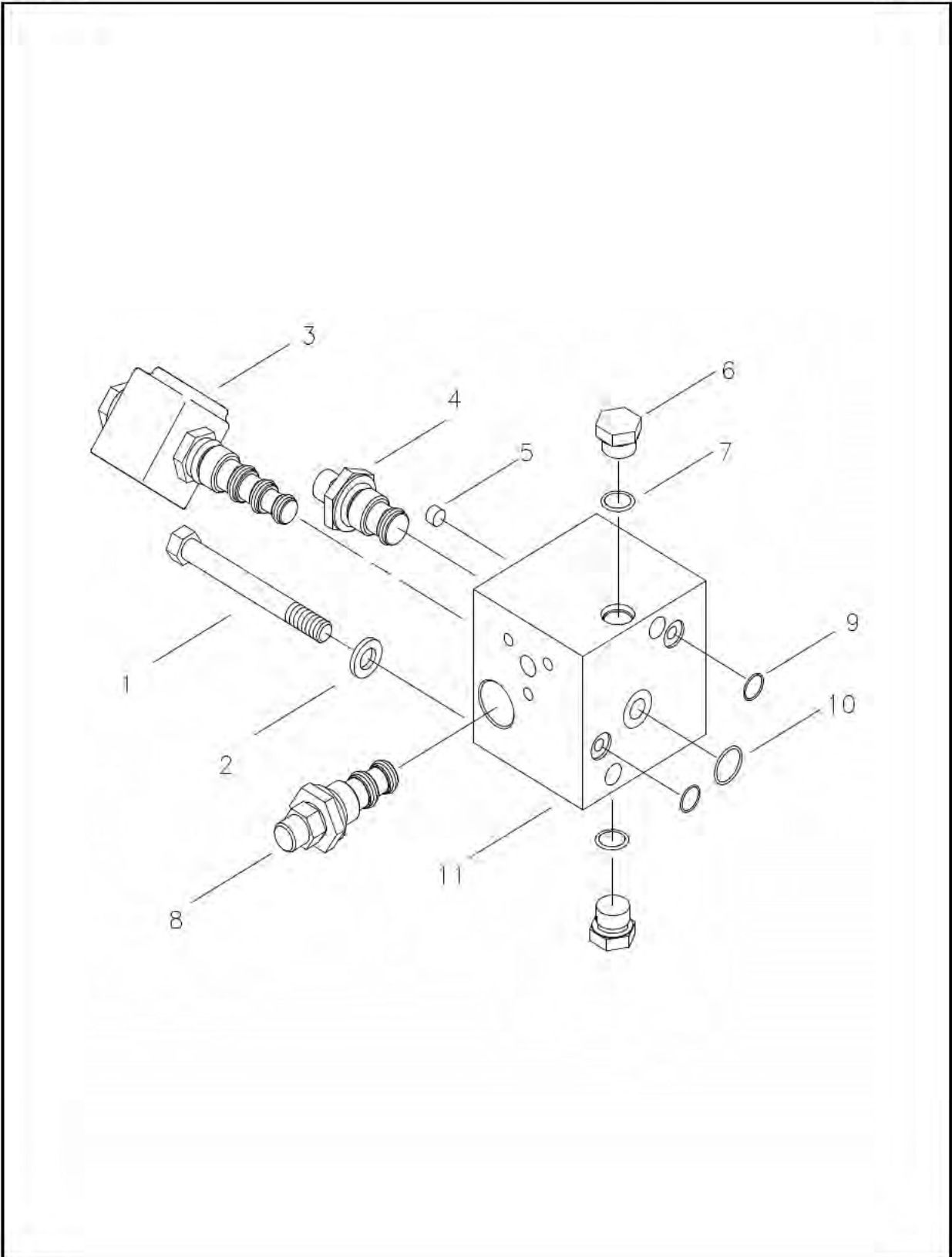
(DRAFT CONTROL)

NO.	PART NO.	PART NAME & DESCRIPTION	QTY			APP. NO	REM.
			A	B	C		
1~3	A1824025	CLEVIS ASSY	1	1			
1	A1824030	CLEVIS	1	1			
2	3A1822006	ROLLER $\phi 12 \times \phi 8 \times 12.5$	2	2			
3	S814006003	RING, SNAP (E) $\phi 6$	4	4			
4	2A1822012	PIPE, LUBRICATE	1	1			
5	A1822151	VALVE, CONTROL	1	1			
6	S155085033	BOLT, HEX M8×1.25×50	3	3			
7	S801012020	O-RING D11.8×2.4	2	2			
8	S313080043	NUT, HEX M8×1.25	3	3			
9	S163085043	BOLT, HEX M8×1.25×50	1	1			
10	A1822086	SPRING	1	1			
11	A1824028	LINK	1	1			
12	3A1822010	LINK (E)	1	1			
13	A1822031	PIN H12	1	1			
14	S361080013	WASHER, SPRING $\phi 15.4 \times \phi 8.2 \times 2t$	1	1			

TM CONTROL VALVE

FIG. 9-3

G. 822



TM CONTROL VALVE

A-C38, B-C45

A-C38, B-C45

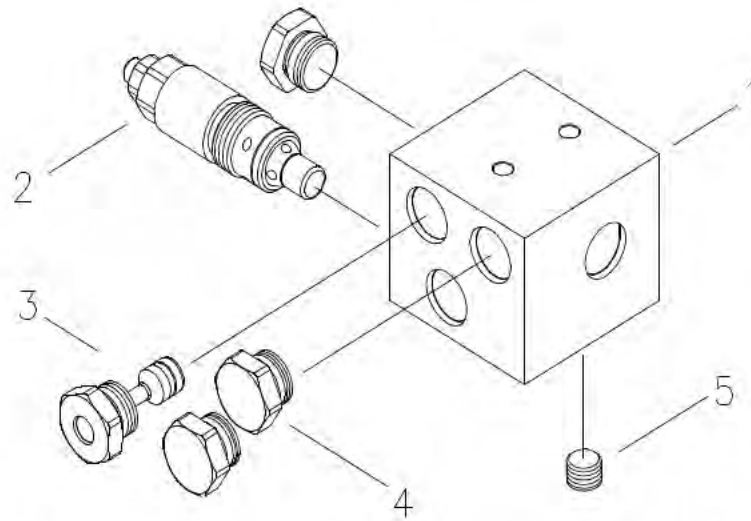
FIG. 9-3

NO.	PART NO.	PART NAME & DESCRIPTION		QTY			APP. NO	REM.
				A	B	C		
1	S107109043	BOLT, HEX	M10×1.25×90	2	2			
2	S361100013	WASHER, SPRING	Φ18.4×Φ10.2×2.5t	2	2			
3~11	A1822089	IND . PTO VAVLE ASSY		1	1			
3	A1822091	VAVLE, SOLENOID		1	1			
4	A1822105	VALVE, SEQUENCE		1	1			
5	A1822095	ORIFICE	Φ1.3	1	1			
6	A1822094	PLUG	PF1/4	2	2			
7	S801011010	O-RING	D10.8x2.4	2	2			
8	A1822093	REDUCING VALVE		1	1			
9	S801011011	O-RING	D9.8x2.4	2	2			
10	S801018010	O-RING	D17.8x2.4	1	1			
11	A1822090	BODY, PTO VALVE		1	1			

FRONT OUTLET & LOADER VALVE

FIG. 9-4

G. 822



FRONT OUTLET & LOADER VALVE

A-C38, B-C45

A-C38, B-C45

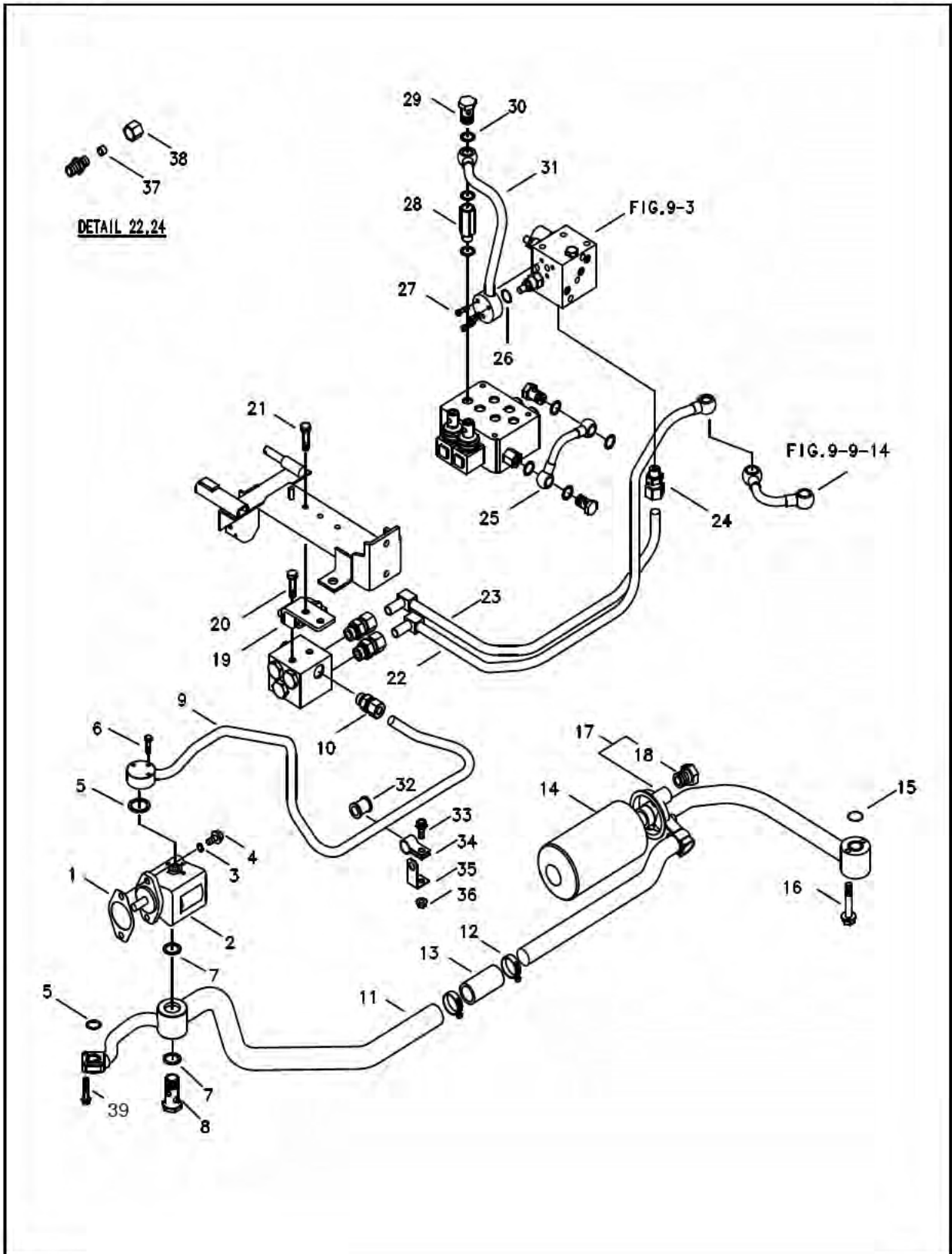
FIG. 9-4

NO.	PART NO.	PART NAME & DESCRIPTION		QTY			APP. NO	REM.
				A	B	C		
1~5	A1822127	OUTLET VALVE ASSY		1	1			
1	A1822128	VALVE BLOCK		1	1			
2	A1822077	VALVE, RELIEF		1	1			
3	A1822131	PLUG, CARRY OVER		1	1			
4	A5001244	PLUG	PF1/2	3	3			
5	A0610168	PLUG	PT1/4	1	1			

HYDRAULIC LINE

FIG. 9-5C

G. 823



HYDRAULIC LINE

A-C38, B-C45

A-C38, B-C45

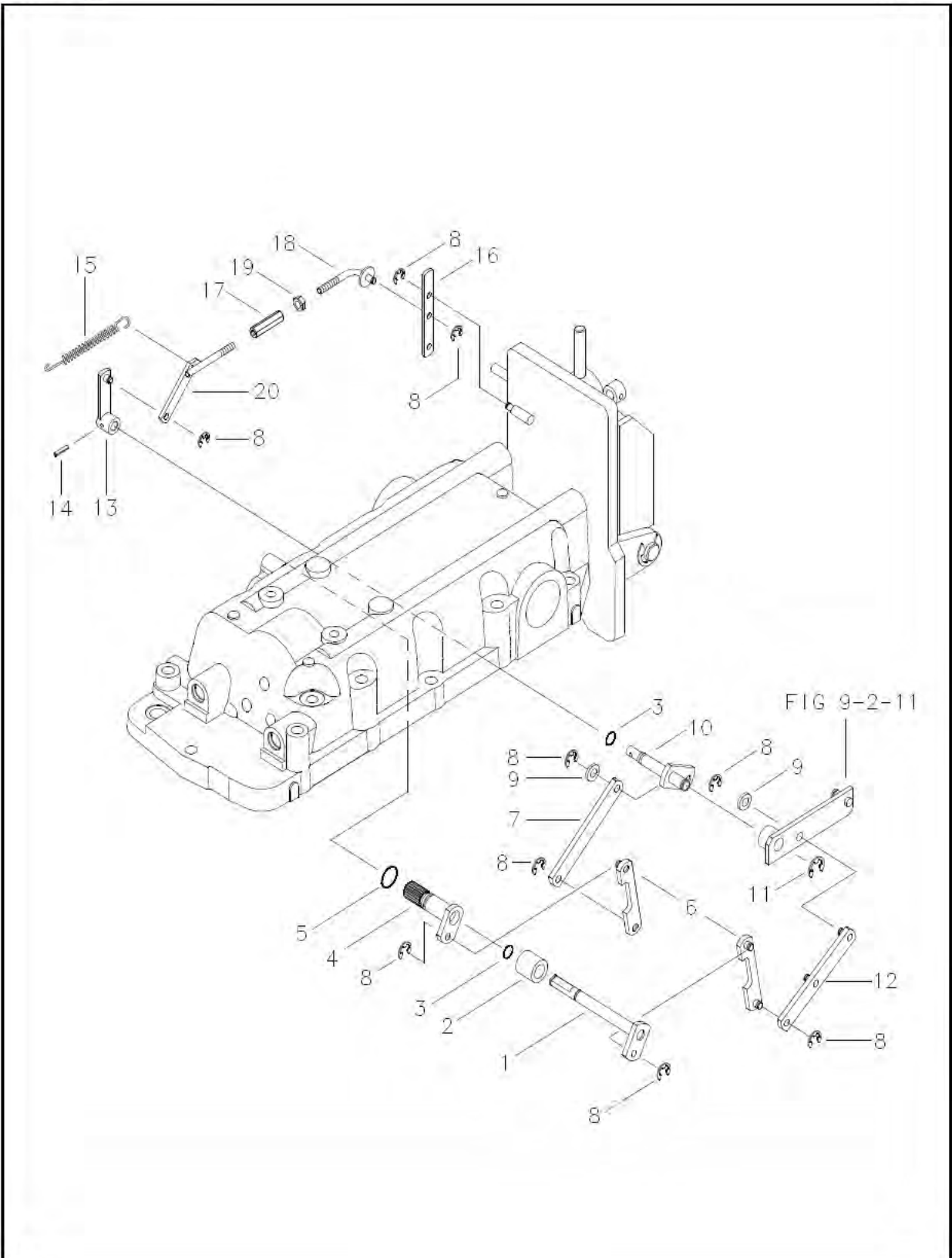
FIG. 9-5C AG (INDP, F/OUTLET)

NO.	PART NO.	PART NAME & DESCRIPTION	QTY			APP. NO	REM.
			A	B	C		
1	A1823103	GASKET, PUMP	0.6t	1	1		
2	A1823533	PUMP, HYD	12.87cc/rev	1	1		
3	S361100013	WASHER, SPRING	D10.2×2.5t	2	2		
4	S107102543	BOLT, HEX	M10×1.25×25	2	2		
5	S801018010	O-RING	D17.8×D2.4	2	2		
6	S153063533	BOLT, HEX	M6×1.0×35	3	3		
7	A1823168	WASHER, COPPER		1	1		
8	3A1823003	BOLT, UNION	PF3/4	1	1		
9~10	A1823545	F/PRESSURE PIPE ASSY		1	1		
9	A1823546	PIPE, F/PRESSURE	D15	1	1		
10	A1823144	JOINT	BOM15-04G	1	1		
11	A1823547	PIPE, F/SUCTION		1	1		
12	A1970201G	CLAMP, HOSE	27-50	2	2		
13	A5000401	HOSE, SUCTION		1	1		
14	A1823315	FILTER, HYD		1	1		
15	S804026010	O-RING	D25.5×2.0	1	1		
16	S154107033	BOLT, HEX	M10×1.25×70	2	2		
17	A1823417	PIPE, R/SUCTION		1	1		
18	A5001244	PLUG	PF1/2	1	1		
19	A1822158	BRACKET, F/OUTLET VALVE		1	1		
20	S153082033	BOLT, HEX. W/WASHER	M8X1.25X20	2	2		
21	S153082533	BOLT, HEX. W/WASHER	M8X1.25X25	2	2		
10,22	A1823492	DRAIN PIPE ASSY		1	1		
22	A1823493	PIPE, F/OUTLET V/V DRAIN		1	1		
10,23,24	A1823490	M/PRESSURE PIPE ASSY		1	1		
23	A1823491	PIPE, M/PRESSURE PIPE		1	1		
24	A1823189	JOINT	BOM15-03G	1	1		
25	A1823182	PIPE, R/PRESSURE		1	1		
26	S801016010	O-RING	D15.8×D2.4	1	1		
27	S153063033	BOLT, HEX	M6×1.0×30	3	3		
28	A1827157	CONNECTOR		1	1		
29	A1630201	BOLT, UNION	PF3/8	3	3		
30	A1823245	SEAL, BONDED	OD24XID16.8X1.5t	7	7		
31	A1823181	PIPE, AUX/PRESSURE	Φ15X1.5t	1	1		
32	3A1823029	CUSHION , CLAMP		1	1		
33	S155082533	BOLT, HEX	M8×1.25×25	1	1		
34	A1823121	CLAMP, PIPE		1	1		
35	3A1823032	BRACKET, CLAMP		1	1		
36	S345080013	NUT, FLANGE B-TY	M8×1.25	1	1		
37	A1823033	SLEEVE	Φ15	1	1		
38	A1823034	NUT, HEX		1	1		
39	S153062533	BOLT, HEX. W/WASHER		3	3		

HYDRAULIC LINKAGE

FIG. 9-6B

G. 824



HYDRAULIC LINKAGE

A-C38, B-C45

A-C38, B-C45

FIG. 9-6B

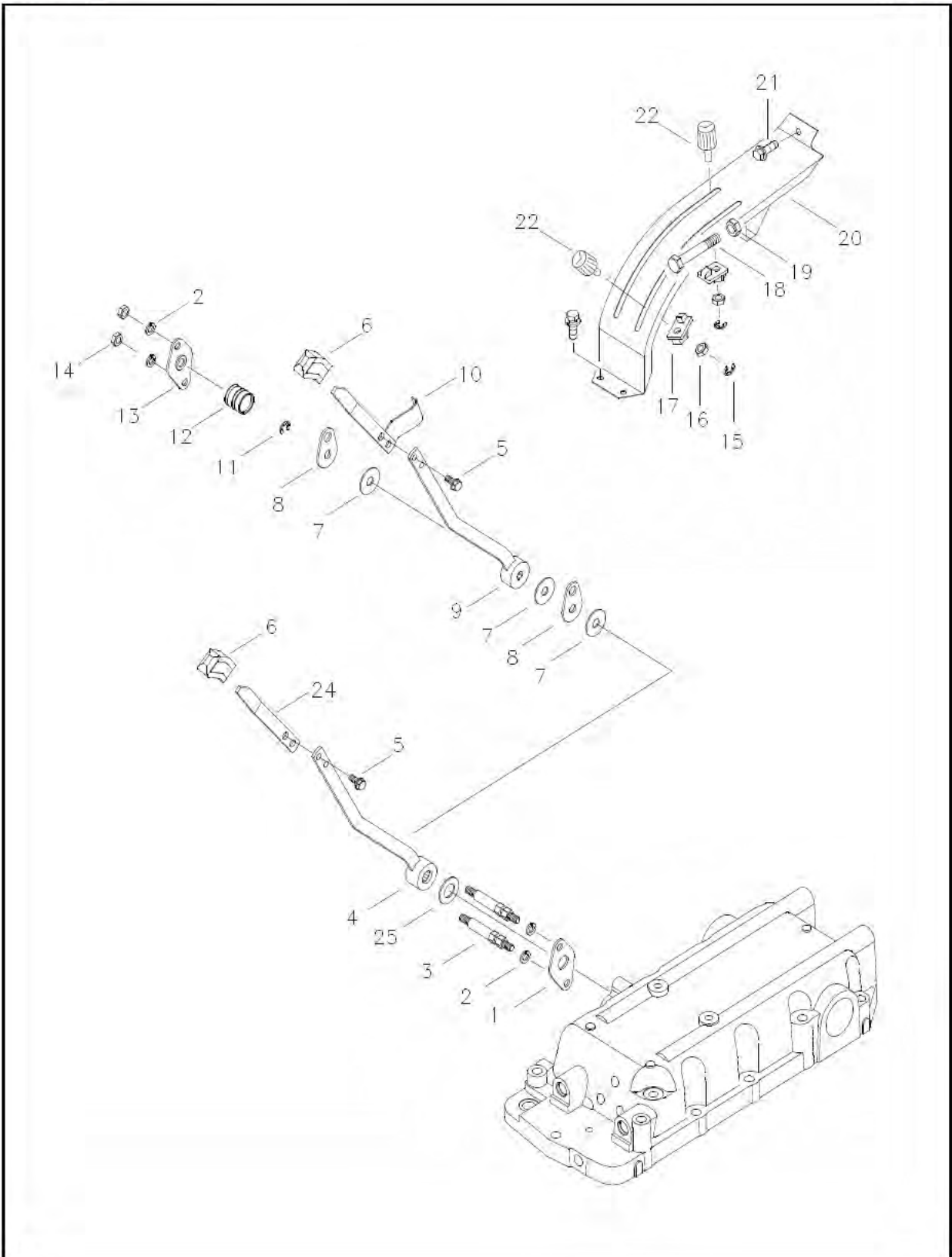
(DRAFT CONTROL)

NO.	PART NO.	PART NAME & DESCRIPTION		QTY			APP. NO	REM.
				A	B	C		
1	A1824020	SHAFT, POSITION		1	1			
2	A1824029	SPACER	$\Phi 20 \times \Phi 12 \times 23.5$	1	1			
3	S801009010	O-RING	D8.8×19	2	2			
4	A1824021	SHAFT, DRAFT		1	1			
5	S801016010	O-RING	D15.8×2.4	1	1			
6	3A1824003	LINK (B)		2	2			
7	A1824097	LINK, DRAFT		1	1			
8	S814006003	RING, SNAP	$\Phi 6$	9	9			
9	S364080013	WASHER, PLAIN	$\Phi 17 \times \Phi 8.4 \times 1.6t$	2	2			
10	A1824022	SHAFT		1	1			
11	S814009003	RING, SNAP	$\Phi 9$	1	1			
12	A1824026	LINK, POSITION		1	1			
13	A1824019	ARM		1	1			
14	S446042012	PIN, SPRING	$\Phi 4 \times 20$	1	1			
15	A1824035	SPRING		1	1			
16	3A1824011	LINK, PAC		1	1			
17	3A1824014	JOINT		1	1			
18	3A1824010	ROD (A)		1	1			
19	S313080043	NUT, HEX		1	1			
20	3A1824007	ROD (B)		1	1			

HYDRAULIC CONTROL LEVER

FIG. 9-7B

G. 825



HYDRAULIC CONTROL LEVER

A-C38, B-C45

A-C38, B-C45

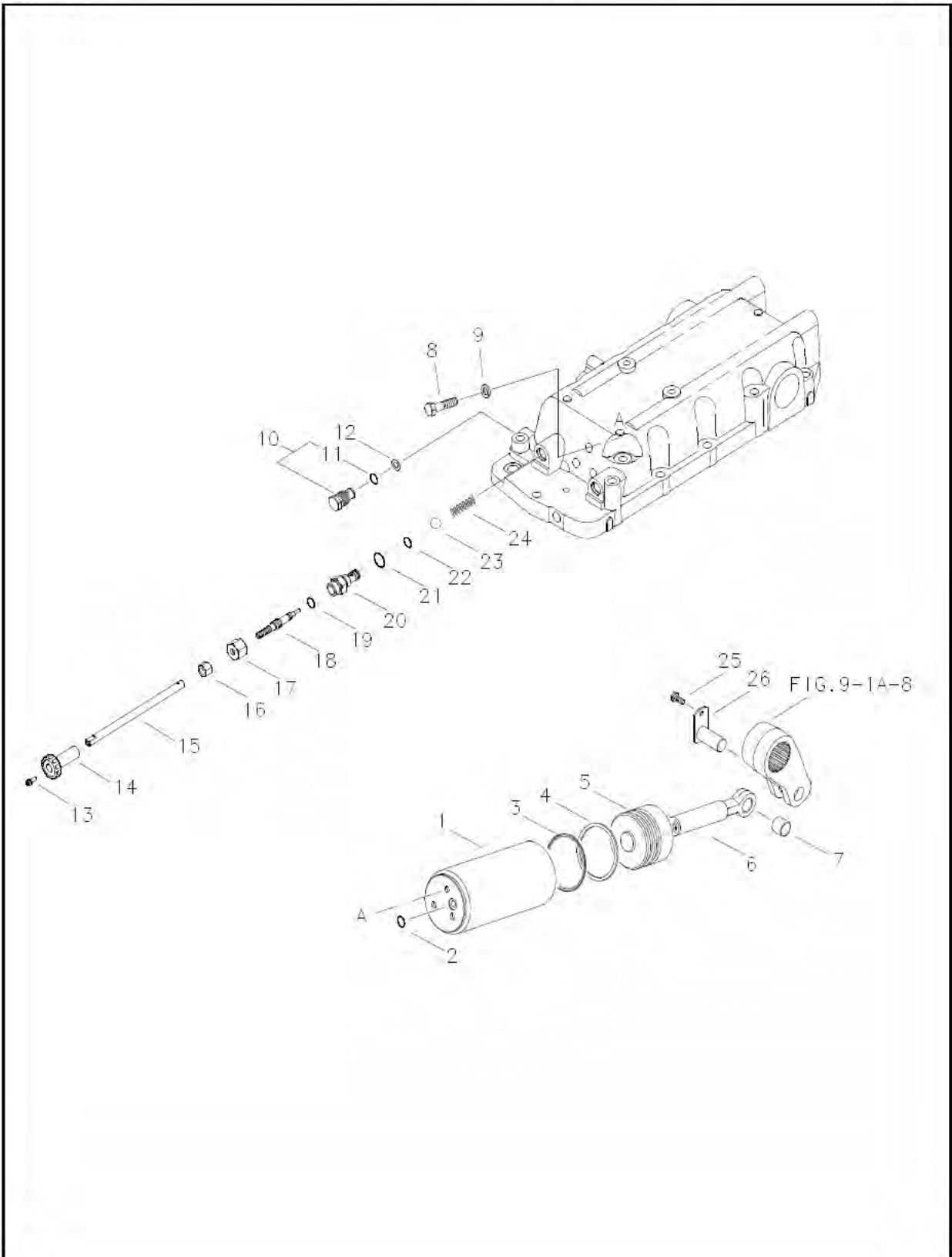
FIG. 9-7B EX, AG, VA, PT, TK (DRAFT CONTROL)

NO.	PART NO.	PART NAME & DESCRIPTION		QTY			APP. NO	REM.
				A	B	C		
1	A1825033	COVER		1	1			
2	S361100013	WASHER, SPRING	Φ10.2×2.5t	4	4			
3	A1825085	SUPPORT, LEVER		2	2			
4	A1825059	LEVER, DRAFT CONTROL		1	1			
5	S155082033	BOLT, HEX	M8×1.25×20	4	4			
6	A1970241	GRIP		2	2			
7	A1825024	PLATE, FRICTION(S)	D13×2t	3	3			
8	A1825053	PLATE, LOCKING		2	2			
9	A1825058	LEVER, POSITION		1	1			
10	A1825145	EXTENTION, LEVER(SWITCH)		1	1			
11	A1825061	EXTENTION, LEVER(NO S/W)		1	1			
12	S810012001	RING, SNAP	Φ11.1x1.0t	1	1			
13	A1825086	SPRING		1	1			
14	A1825034	COVER		1	1			
15	S302100043	NUT, HEX	M10×1.25	2	2			
16	S814006003	RING, SNAP	Φ6x0.8t	4	4			
17	S305080043	NUT, HEX	M8x1.25	4	4			
18	A1825057	STOPPER, LEVER		4	4			
19	S163085043	BOLT, HEX	M8x1.25x50	2	2			
20	S313080013	NUT, HEX	M8x1.25	2	2			
21	A1825159	GUIDE, HYD. LEVER		1	1			
22	S159081633	BOLT, HEX	M8x1.25x16	3	3			
23	A1825056	GRIP		4	4			
24	A1825060	SHIM	0.5~1.6t	AR	AR			
25	A1825023	EXTENTION, LEVER		1	1			
		PLATE, FRICTION(L)	D21×2t	1	1			

HYDRAULIC CYLINDER

FIG. 9-8

G. 826



HYDRAULIC CYLINDER

A-C38, B-C45

A-C38, B-C45

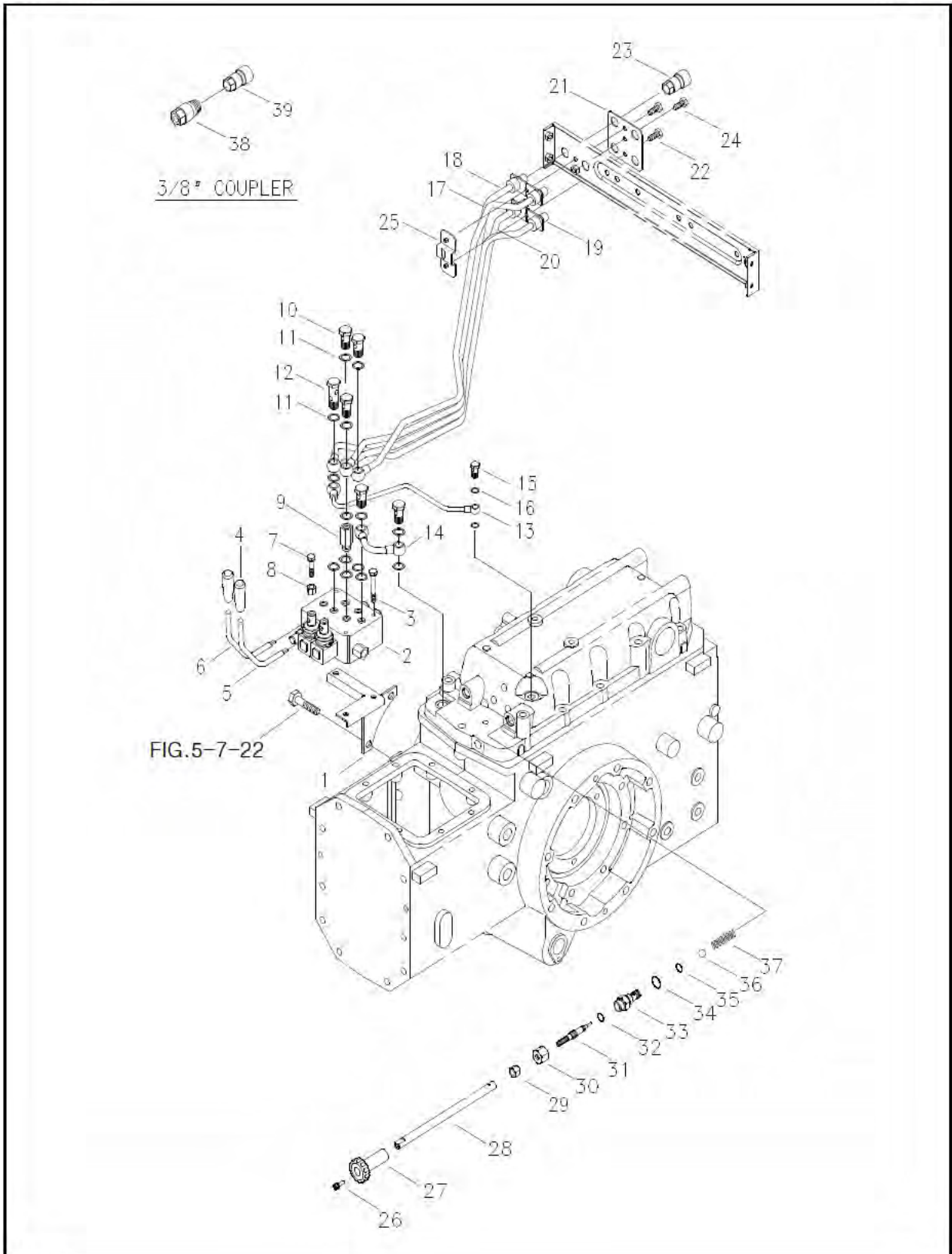
FIG. 9-8

NO.	PART NO.	PART NAME & DESCRIPTION		QTY			APP. NO	REM.
				A	B	C		
1	A1826032	CYLINDER, HYD.	Φ80	1	1			
2	S801014020	O-RING	Φ13.8×2.4	1	1			
3	A1826085	O-RING	Φ69.6×5.7	2	2			
4	A1826048	RING, BACKUP	Φ80×Φ70×3t	2	2			
5	3A1826003	PISTON, HYD.	Φ80	1	1			
6	A1826033	ROD, PISTON		1	1			
7	3A1970002	BUSHING	Φ22×Φ25×20	1	1			
8	S103125043	BOLT, HEX	M12×1.25×50	3	3			
9	S361120013	WASHER, SPRING	Φ12.2×3t	3	3			
10	A1826037	VALVE, SAFETY		1	1			
11	S801018010	O-RING	D17.8×2.4	1	1			
12	A1826036	SEAL	Φ10.5×Φ18×1t	1	1			
13	S157051633	BOLT, HEX.	M6X1.0X16	1	1			
14	A1970353	KNOB		1	1			
15	A1826130	ROD		1	1			
16	S345080013	NUT, FLANGE B-TY	M8×1.25	1	1			
17~22	A1826078	FLOW, REGULATOR		1	1			
17	A1826081	NUT, HEX	M18×1.25	1	1			
18	A1826080	SCREW, ADJUST		1	1			
19	S801006020	O-RING	Φ5.8×1.9	1	1			
20	A1826079	BODY, REGULATOR		1	1			
21	S801014020	O-RING	D13.8×2.4	1	1			
22	S801010020	O-RING	D9.8×1.9	1	1			
23	A20063480	BALL, STEEL	3/8"	1	1			
24	A1826058	SPRING	Φ8.6×1.4	1	1			
25	S153081633	BOLT, HEX	M8×1.25×16	1	1			
26	3A1826001	PIN	Φ22	1	1			

REMOTE CONTROL VALVE & LINE

FIG. 9-9B

G. 827



REMOTE CONTROL VALVE & LINE

A-C38, B-C45

A-C38, B-C45

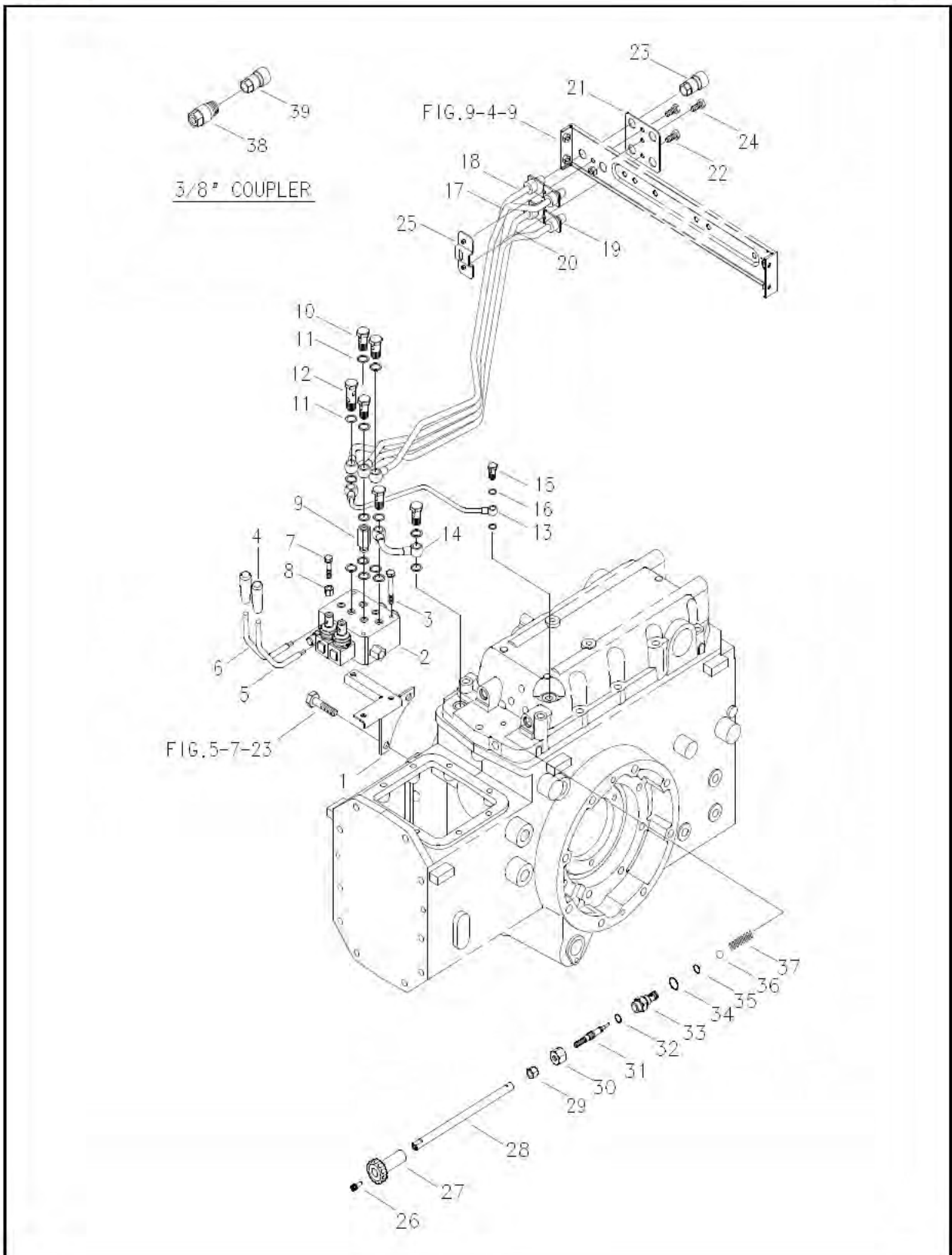
FIG. 9-9B AG, VA, PT (F/OUTLET)

NO.	PART NO.	PART NAME & DESCRIPTION		QTY			APP. NO	REM.
				A	B	C		
1	A1827143	BRACKET, VALVE		1	1	1		
2	A1827260	VALVE, REMOTE CON.	SD5-2	1	1	1		W/O RELIEF
3	S153086033	BOLT, HEX	M8×1.25×60	3	3	3		
4	A1970242	GRIP, VALVE LEVER		2	2	2		
5	A1827145	LEVER(2), VALVE		1	1	1		
6	A1827144	LEVER(1), VALVE		1	1	1		
7	S101102543	BOLT, HEX . SMALL	M10×1.5×25	2	2	2		
8	S305100013	NUT, HEX	M10×1.5	2	2	2		
9	A1827152	CONNECTOR	PF3/8	1	1	1		
10	A1630201	BOLT, UNION	PF3/8	4	4	4		
11	A1823245	SEAL, BONDED	Φ24×Φ16.8×1t	15	15	15		
12	A1827151	BOLT, UNION	PF3/8	2	2	2		
13	A1827154	PIPE, AUX . S/D		1	1	1		
14	A1827150	PIPE, AUX . DRAIN		1	1	1		
15	A1823157	BOLT, UNION	M12×1.75	1	1	1		
16	A1823158	WASHER, COPPER	Φ18×12.2×1t	2	2	2		
17	A1827279	PIPE, 1ST UP	PT 1/2"	1	1	1		
18	A1827281	PIPE, 2ND UP	PT 1/2"	1	1	1		
19	A1827280	PIPE, 1ST DN	PT 1/2"	1	1	1		
20	A1827282	PIPE, 2ND DN	PT 1/2"	1	1	1		
21	A1827167	BRACKET, PIPE		1	1	1		
22	S159082033	BOLT , HEX W/WASHER	M8×1.25×20	2	2	2		
23	A1827177	QUICK COUPLER	PT1/2"	4	4	4		
24	S159081633	BOLT, HEX W/WASHER	M8x1.25x16	1	1	1		
25	A1827196	BRACKET PIPE		1	1	1		
26	S157051633	BOLT, HEX.	M6X1.0X16	1	1	1		
27	A1970353	KNOB		1	1	1		
28	A1826130	ROD		1	1	1		
29	S345080013	NUT . FLANGE B - TY	M8×1.25	1	1	1		
30~35	A1826078	FLOW, REGULATOR		1	1	1		
30	A1826081	NUT, HEX	M18×1.5	1	1	1		
31	A1826080	SCREW, ADJUST		1	1	1		
32	S801006020	O-RING	D5.8×1.9	1	1	1		
33	A1826079	BODY, REGULATOR		1	1	1		
34	S801014020	O-RING	D13.8×2.4	1	1	1		
35	S801010020	O-RING	D9.8×1.9	1	1	1		
36	A20063480	BALL, STEEL	3/8" TAB16306	1	1	1		
37	A1826058	SPRING	Φ8.6×Φ1.4	1	1	1		
38	A1827286	ADAPTER	PT3/8"	4	4	4		
39	A1827168	QUICK COUPLER	PT3/8"	4	4	4		

REMOTE CONTROL VALVE & LINE

FIG. 9-9

G. 827



REMOTE CONTROL VALVE & LINE

A-C38, B-C45

A-C38, B-C45

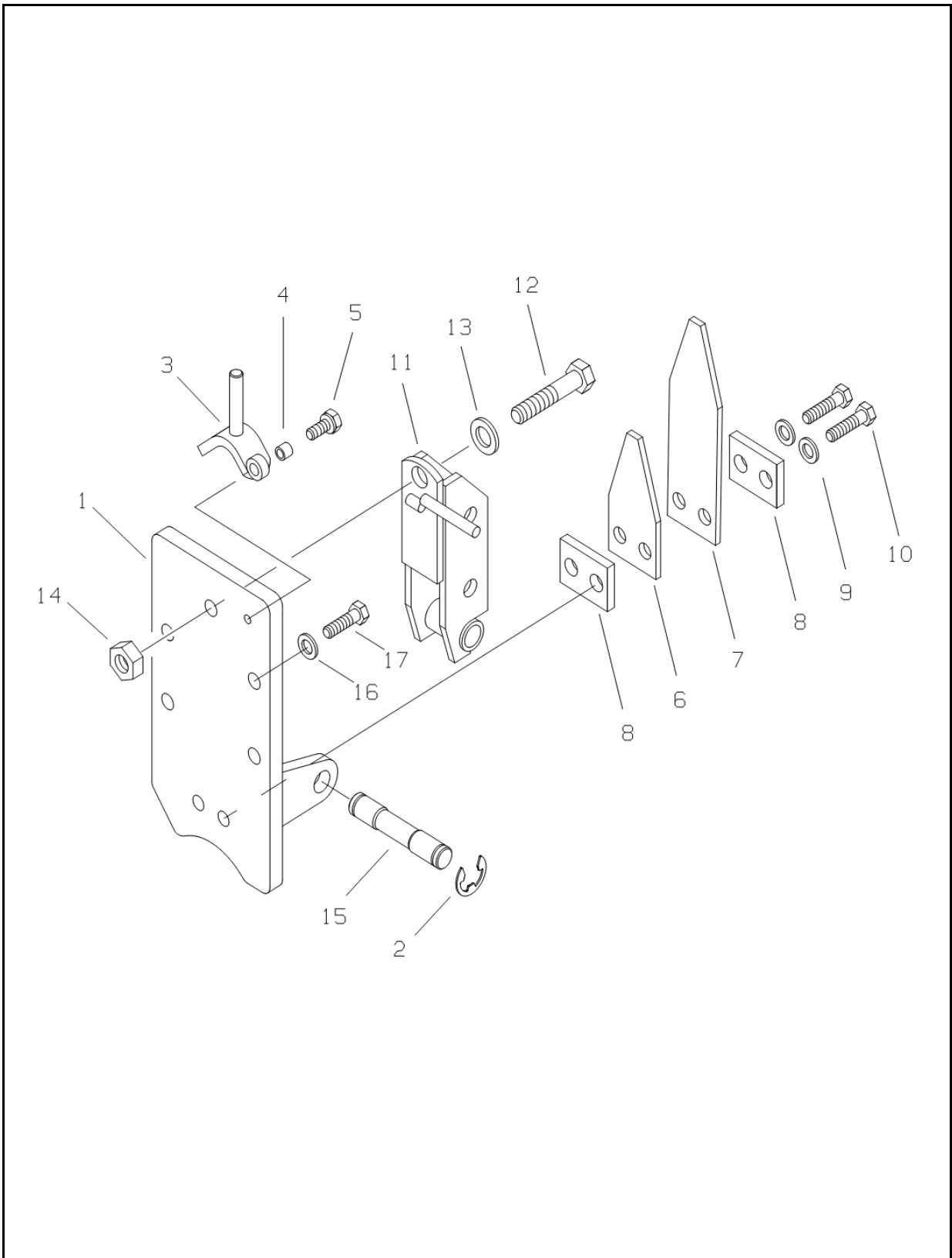
FIG. 9-9

NO.	PART NO.	PART NAME & DESCRIPTION		QTY			APP. NO	REM.
				A	B	C		
1	A1827143	BRACKET, VALVE		1	1			
2	A1827260	VALVE, REMOTE CON.	SD5-2	1	1			
3	S153086033	BOLT, HEX	M8×1.25×60	3	3			
4	A1970242	GRIP, VALVE LEVER		2	2			
5	A1827145	LEVER(2), VALVE		1	1			
6	A1827144	LEVER(1), VALVE		1	1			
7	S101102543	BOLT, HEX . SMALL	M10×1.5×25	2	2			
8	S305100013	NUT, HEX	M10×1.5	2	2			
9	A1827152	CONNECTOR	PF3/8	1	1			
10	A1630201	BOLT, UNION	PF3/8	4	4			
11	A1823245	SEAL, BONDED	Φ24×Φ16.8×1t	15	15			
12	A1827151	BOLT, UNION	PF3/8	2	2			
13	A1827154	PIPE, AUX . S/D		1	1			
14	A1827150	PIPE, AUX . DRAIN		1	1			
15	A1823157	BOLT, UNION	M12×1.75	1	1			
16	A1823158	WASHER, COPPER	Φ18×12.2×1t	2	2			
17	A1827279	PIPE, 1ST UP	PT 1/2"	1	1			
18	A1827281	PIPE, 2ND UP	PT 1/2"	1	1			
19	A1827280	PIPE, 1ST DN	PT 1/2"	1	1			
20	A1827282	PIPE, 2ND DN	PT 1/2"	1	1			
21	A1827167	BRACKET, PIPE		1	1			
22	S159082033	BOLT , HEX W/WASHER	M8×1.25×20	2	2			
23	A1827177	QUICK COUPLER	PS1/2	4	4			
24	S159081633	BOLT, HEX W/WASHER	M8x1.25x16	1	1			
25	A1827196	BRACKET PIPE		1	1			
26	S157051633	BOLT,HEX.	M6X1.0X16	1	1			
27	A1970353	KNOB		1	1			
28	A1826130	ROD		1	1			
29	S345080013	NUT . FLANGE B - TY	M8×1.25	1	1			
30~35	A1826078	FLOW, REGULATOR		1	1			
30	A1826081	NUT, HEX	M18×1.5	1	1			
31	A1826080	SCREW, ADJUST		1	1			
32	S801006020	O-RING	D5.8×1.9	1	1			
33	A1826079	BODY, REGULATOR		1	1			
34	S801014020	O-RING	D13.8×2.4	1	1			
35	S801010020	O-RING	D9.8×1.9	1	1			
36	A20063480	BALL, STEEL	3/8" TAB16306	1	1			
37	A1826058	SPRING	Φ8.6×Φ1.4	1	1			
38	A1827284	ADAPTER	PS3/8	2	*			(PS3/8)
39	A1827168	QUICK COUPLER	PS3/8	2	*			(PS3/8)

UPPER LINK BRACKET

FIG. 9-10B

G. 828



UPPER LINK BRACKET

A-C38, B-C45

A-C38, B-C45

FIG. 9-10B

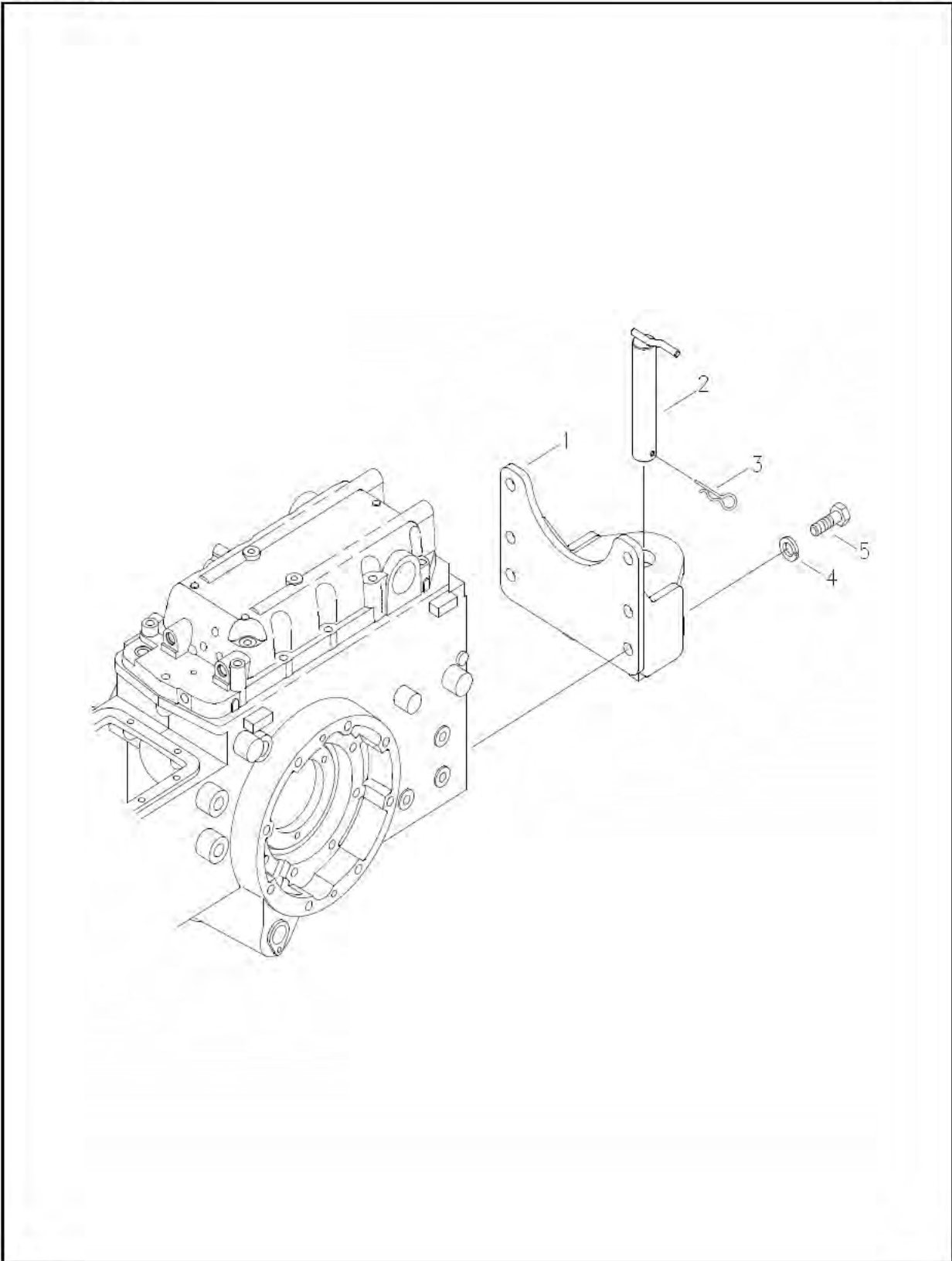
(DRAFT CONTROL)

NO.	PART NO.	PART NAME & DESCRIPTION	QTY			APP. NO	REM.
			A	B	C		
1~15	A1828033	UPPER LINK BRACKET ASSY	1	1			
1	A1828034	UPPER LINK BRACKET	1	1			
2	S814015003	RING, SNAP	2	2			
3	3A1828010	STOPPER	1	1			
4	3A1828014	COLLAR	1	1			
5	S155082533	BOLT, HEX	M8×1.0x25	1	1		
6	3A1828021	SPRING, LEAF		1	1		
7	3A1828022	SPRING, LEAF		1	1		
8	A1828057	PLATE		2	2		
9	S361140013	WASHER, SPR.		2	2		
10	S107144543	BOLT, HEX	M14×1.5×45	2	2		
11	A1828035	BRACKET		1	1		
12	S103167043	BOLT, HEX	M16×1.5×70	1	1		
13	S364160053	WASHER	D16	1	1		
14	S314160013	NUT, HEX	M16×1.5	1	1		
15	3A1828025	PIN	D20	1	1		
16	S361140013	WASHER		4	4		
17	S101143543	BOLT, HEX	M14×2.0×35	4	4		

DRAWBAR HITCH

FIG. 9-11A

G. 891



DRAWBAR HITCH

A-C38, B-C45

A-C38, B-C45

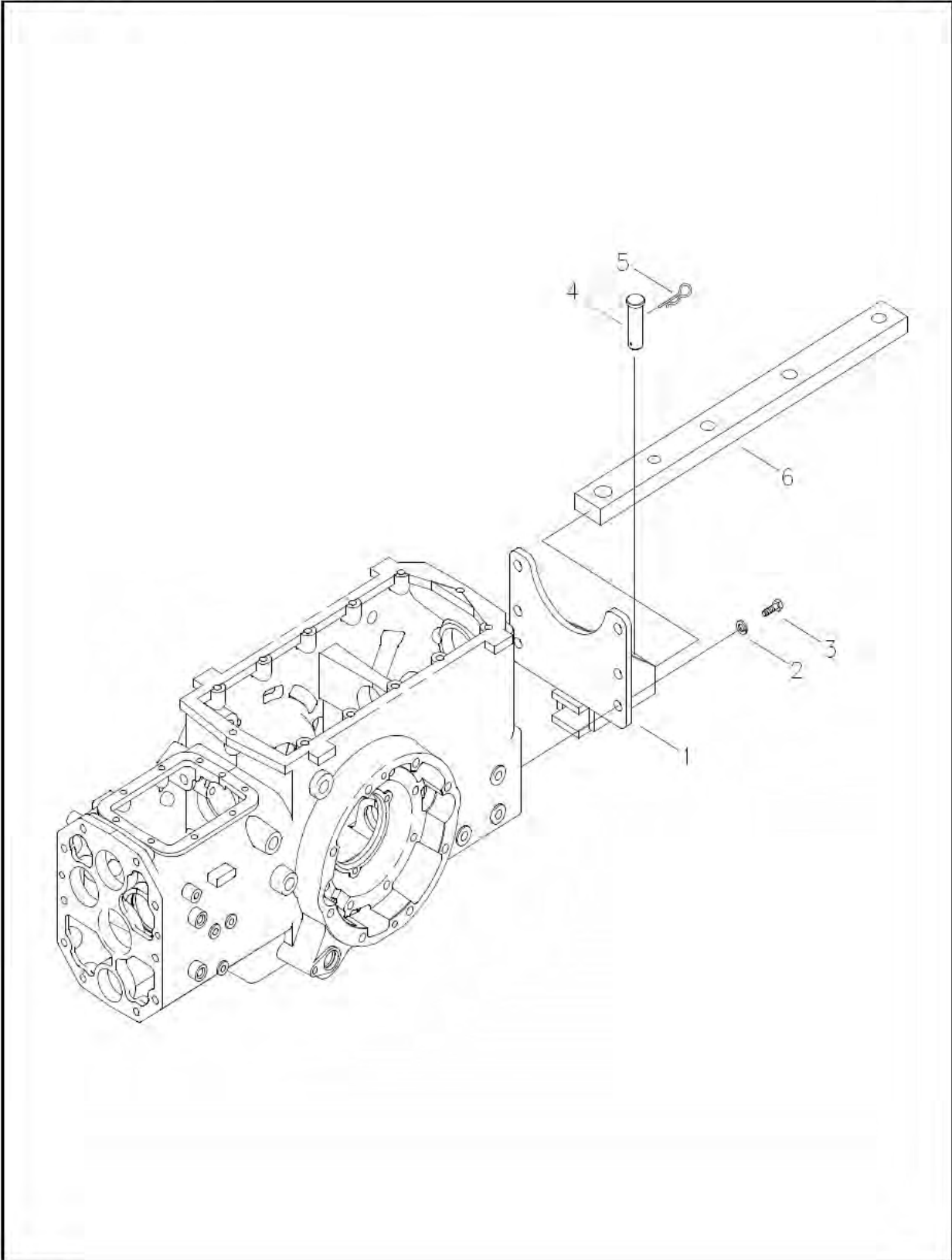
FIG. 9-11A DO, MY (GENERAL HITCH)

NO.	PART NO.	PART NAME & DESCRIPTION		QTY			APP. NO	REM.
				A	B	C		
1	A1891043	HITCH, DRAWBAR		1	1			
2	A1891044	PIN, DRAWBAR	Φ28	1	1			
3	3A1970091	PIN, SNAP		1	1			
4	S361140013	WASHER, SPRING	Φ24.5×Φ14.2×3.5t	6	6			
5	S101144043	BOLT, HEX	M14×2×40	6	6			

DRAWBAR HITCH

FIG. 9-11B

G. 891



DRAWBAR HITCH

A-C38, B-C45

A-C38, B-C45

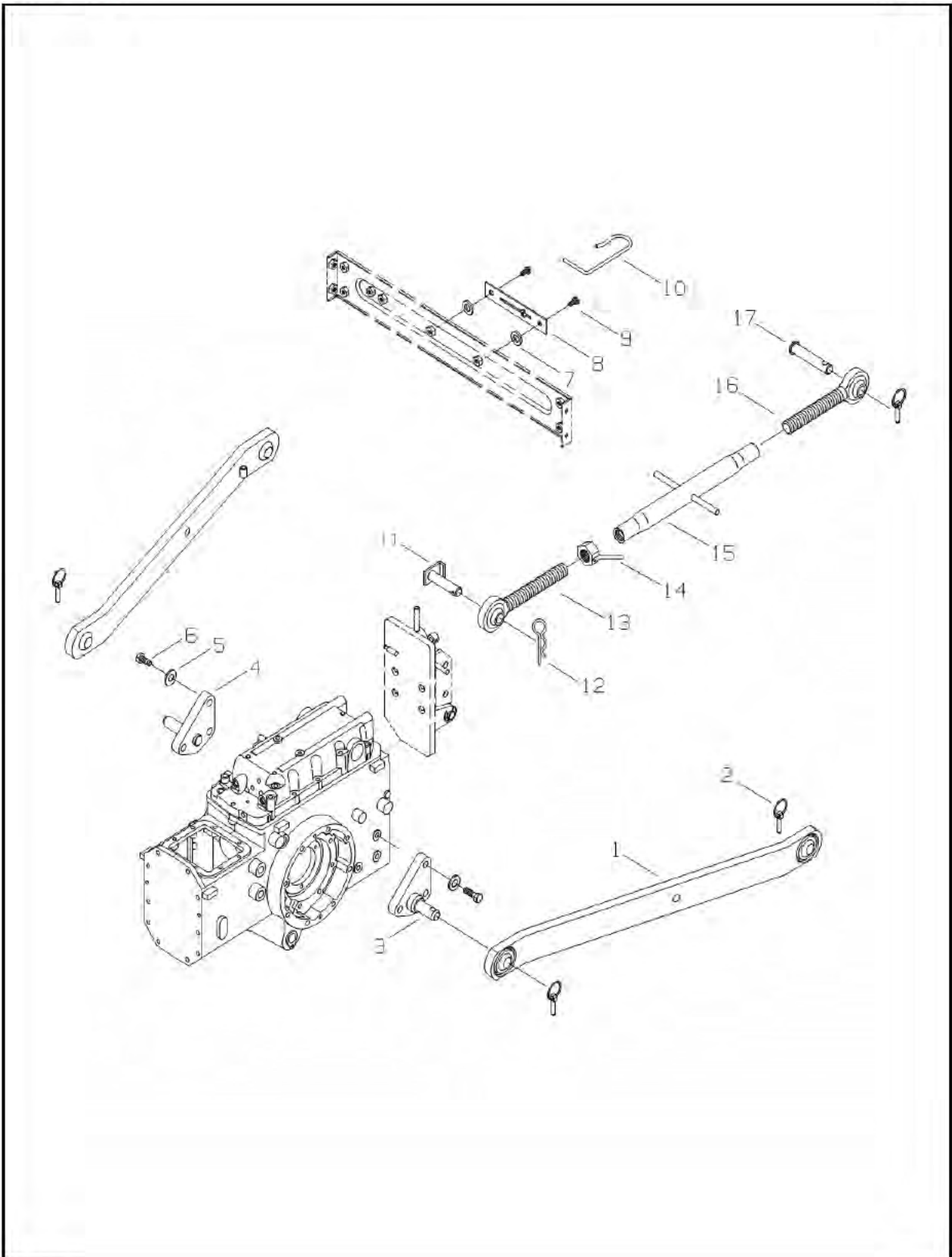
FIG. 9-11B EX, AG, TF (TELESCOPIC DRAWBAR)

NO.	PART NO.	PART NAME & DESCRIPTION		QTY			APP. NO	REM.
				A	B	C		
1	A1891049	SUPPORT, HITCH		1	1			
2	S361140013	WASHER, SPRING	$\Phi 14.2 \times \Phi 24.5 \times 3.5t$	6	6			
3	S101144043	BOLT, HEX	M14×2×40L	6	6			
4	A1891033	PIN, CLEVIS	$\Phi 21 \times 77$	1	1			
5	3A1970091	PIN, SNAP	$\Phi 28$	1	1			
6	A1891057	DRAWBAR (ASAE)		1	1			

UPPER & LOWER LINK

FIG. 9-12A

G. 896



UPPER & LOWER LINK

A-C38, B-C45

A-C38, B-C45

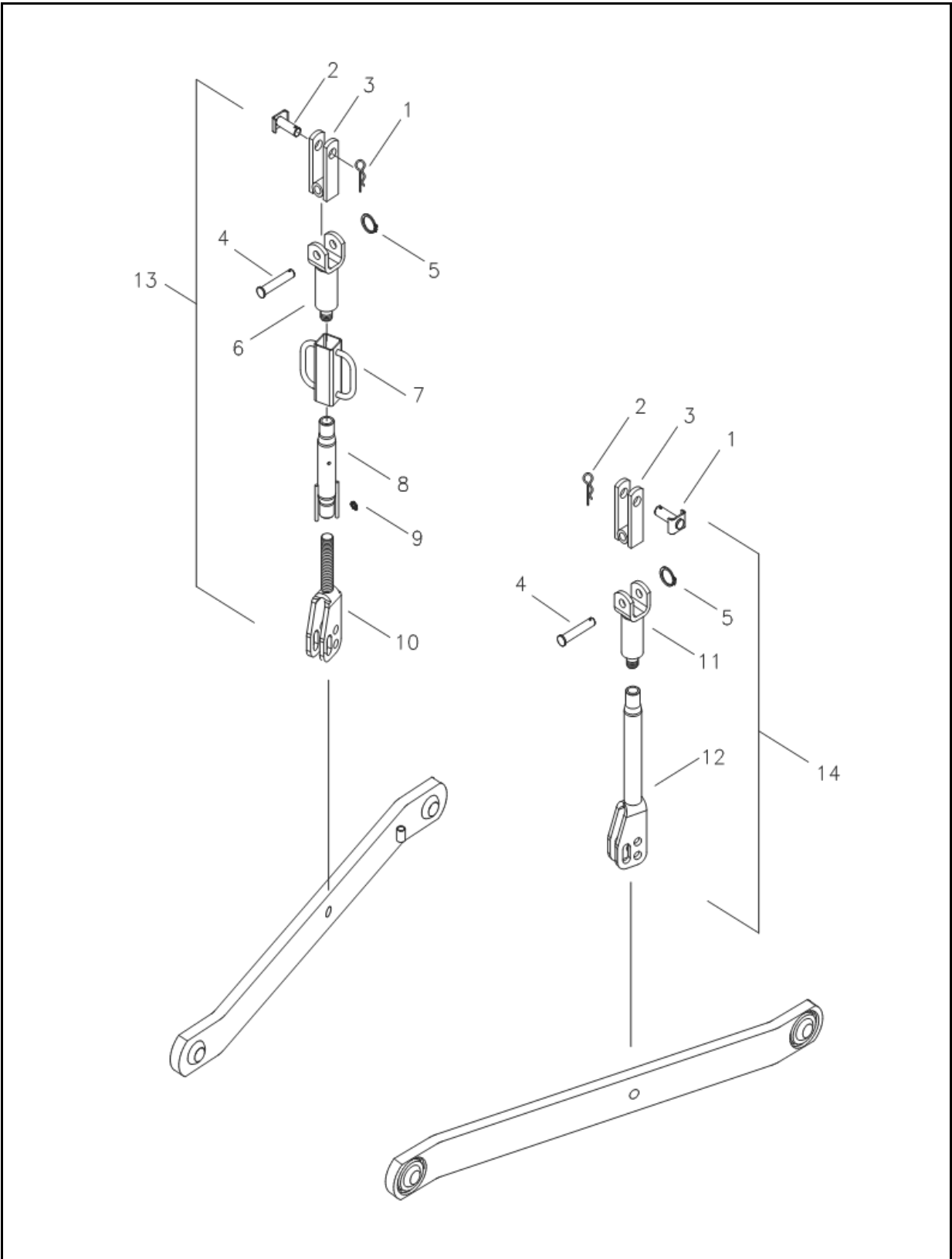
FIG. 9-12A

NO.	PART NO.	PART NAME & DESCRIPTION	QTY			APP. NO	REM.
			A	B	C		
1	A1896320	LOW LINK ASSY	2	2			
2	3A1896081	PIN, LINK	5	5			
3	A1896187	PIN, LOW LINK(LH)	1	1			
4	A1896188	PIN, LOW LINK(RH)	1	1			
5	S361140013	WASHER, SPR	6	6			
6	A1896473	BOLT, HEX	6	6			
7	A1830277	SPACER, GRILL	2	2			
8	A1896519	BRACKET, HOOK	1	1			
9	S159081633	BOLT, HEX	2	2			
10	A1896336	HOOK, UPPER LINK	1	1			
11	A1896189	PIN, UPPER LINK(F)	1	1			
12	3A1970091	PIN, SNAP	1	1			
13~16	3A1896002	UPPER LINK ASSY	1	1			
13	3A1896006	END, UPPER LINK(F)	1	1			
14	3A1970092	NUT, LOCK	1	1			
15	2A1896003	TURN BUCKLE	1	1			
16	3A1896007	END, UPPER LINK(R)	1	1			
17	3A1896013	PIN, UPPER LINK(R)	1	1			

LIFT ROD

FIG. 9-13A

G. 896



LIFT ROD

A-C38, B-C45

A-C38, B-C45

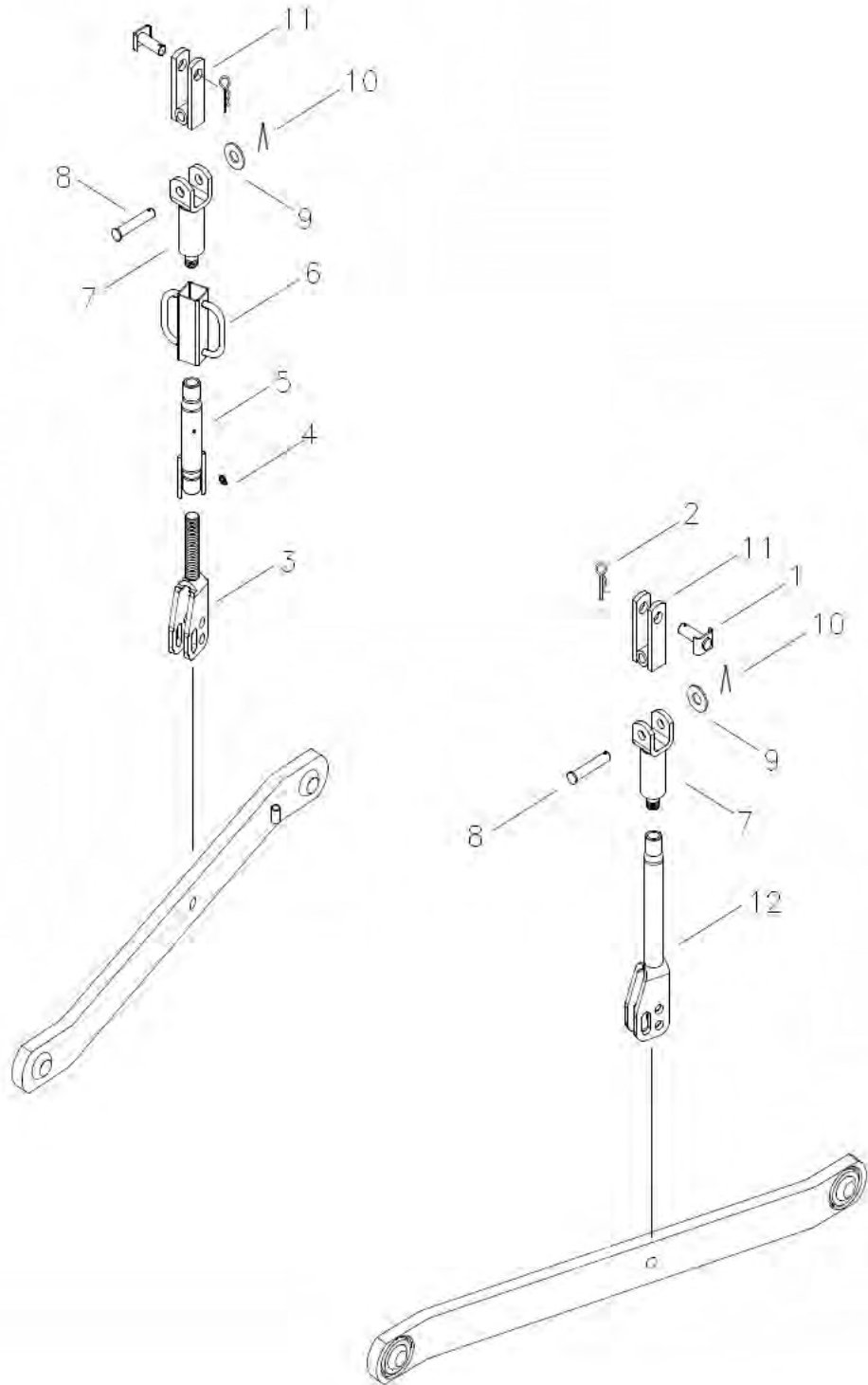
FIG. 9-13A

NO.	PART NO.	PART NAME & DESCRIPTION		QTY			APP. NO	REM.
				A	B	C		
1	A1896530	PIN, LIFT ROD	Φ19	2	2			
2	3A1970091	PIN, SNAP		2	2			
3	A1896087	JOINT, LIFT ROD		2	2			
4	A1896593	PIN, LIFT ROD	Φ16	2	2			
5	S810016003	RING, SNAP		2	2			
6	A1896524	ROD, UPPER LIFT		1	1			
7	A1896527	HANDLE		1	1			
8	A1896526	SLEEVE, LIFT ROD		1	1			
9	A0730009	NIPPLE, GREASE	PT1/8	1	1			
10	A1896525	ROD, LOWER LIFT		1	1			
11	A1896524	ROD, UPPER LIFT		1	1			
12	A1896529	ROD, LOWER LIFT		1	1			
13	A1896523	LIFT ROD ASSY(RH)		1	1			
14	A1896528	LIFT ROD ASSY(LH)		1	1			

LIFT ROD

FIG. 9-13A

G. 896



LIFT ROD

A-C38, B-C45

A-C38, B-C45

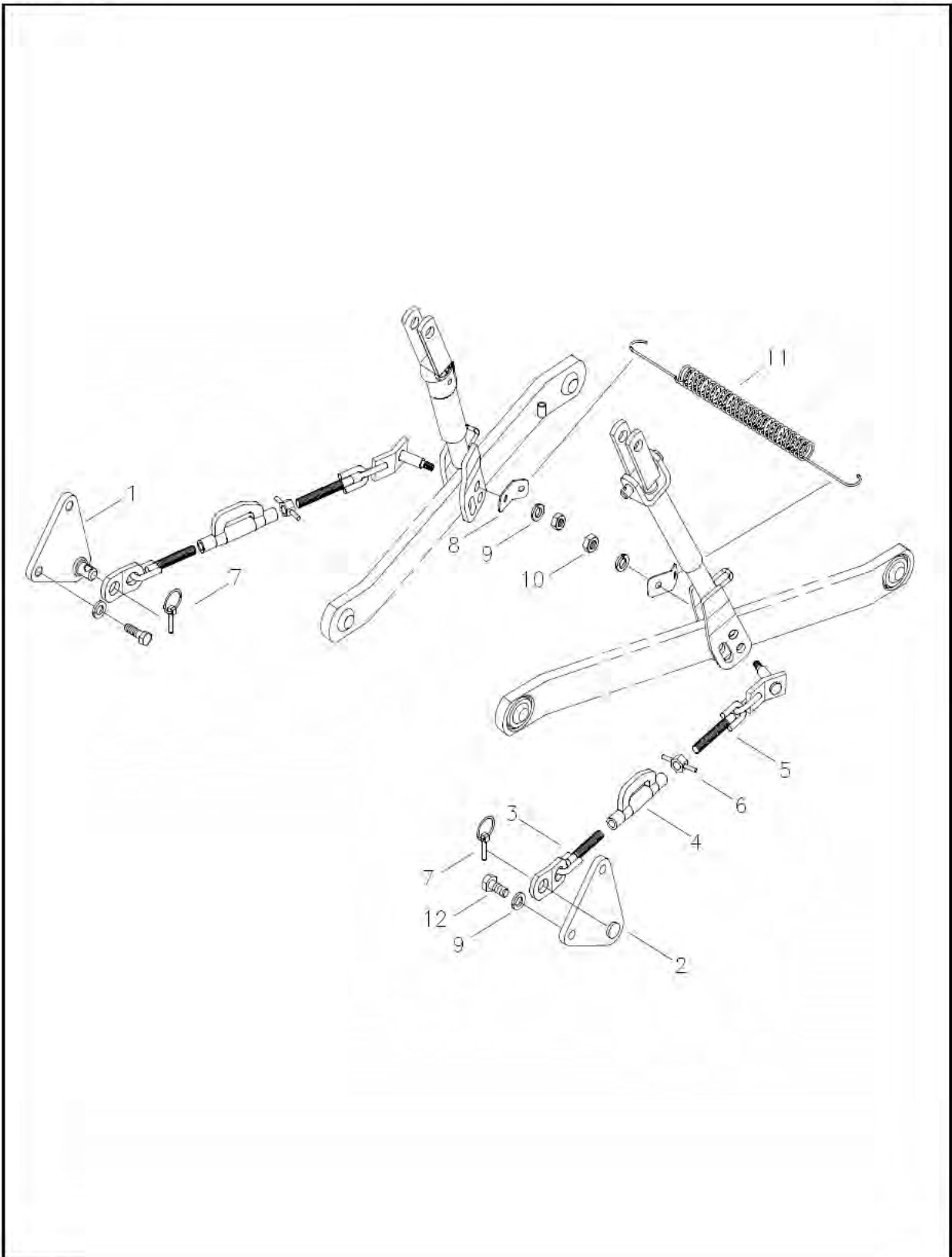
FIG. 9-13A OT

NO.	PART NO.	PART NAME & DESCRIPTION		QTY			APP. NO	REM.
				A	B	C		
1	3A1896058	PIN, LIFT ROD	Φ19	2	2			
2	3A1970091	PIN, SNAP		2	2			
3~11	A1896551	LIFT ROD ASSY(RH)	430-540	1	1			
3	A1896552	ROD, LOWER LIFT		1	1			
4	A0730009	NIPPLE, GREASE	PT1/8	1	1			
5	A1896526	SLEEVE, LIFT ROD		1	1			
6	A1896527	HANDLE		1	1			
7~12	A1896549	LIFT ROD ASSY(LH)		1	1			
7	A1896524	ROD, UPPER LIFT		1	1			
8	A1896090	PIN, LIFT ROD	Φ16	2	2			
9	S363160013	WASHER, PLAIN	OD28xID17×3t	2	2			
10	S441403613	PIN, SPLIT	Φ3.7×36	2	2			
11	A1896087	JOINT, LIFT ROD		2	2			
12	A1896550	ROD, LOWER LIFT		1	1			

CHECK LINK

FIG. 9-14

G. 896



CHECK LINK

A-C38, B-C45

A-C38, B-C45

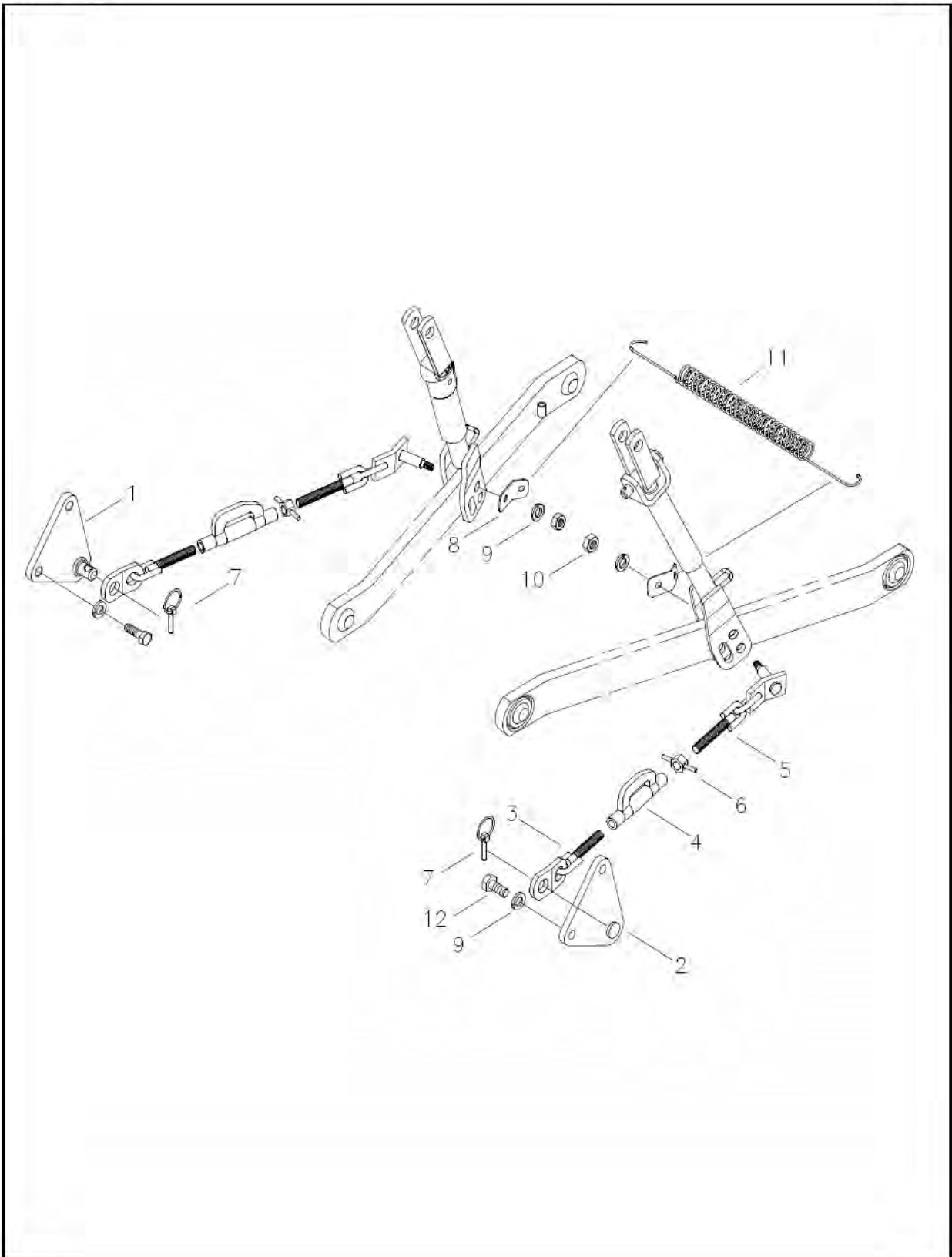
FIG. 9-14

NO.	PART NO.	PART NAME & DESCRIPTION	QTY			APP. NO	REM.
			A	B	C		
1	A1896321	BRACKET, C/CHAIN(R)	1	1			
2	A1896322	BRACKET, C/CHAIN(L)	1	1			
3~6	A1896471	CHECK CHAIN ASSY	2	2			
3	A1896589	CHAIN(F)	2	2			
4	A1896597	TURN BUCKLE	2	2			
5	A1896536	CHAIN(R)	2	2			
6	S301160013	NUT, LOCK	2	2			
7	3A1896081	PIN, LINK	2	2			
8	A1896333	BRACKET, SPRING	2	2			
9	S361140013	WASHER, SPRING	6	6			
10	S314140013	NUT, HEX	2	2			
11	A1896539	SPRING, LOWER LINK	1	1			
12	S101143543	BOLT, HEX	4	4			

CHECK LINK

FIG. 9-14

G. 896



CHECK LINK

A-C38, B-C45

A-C38, B-C45

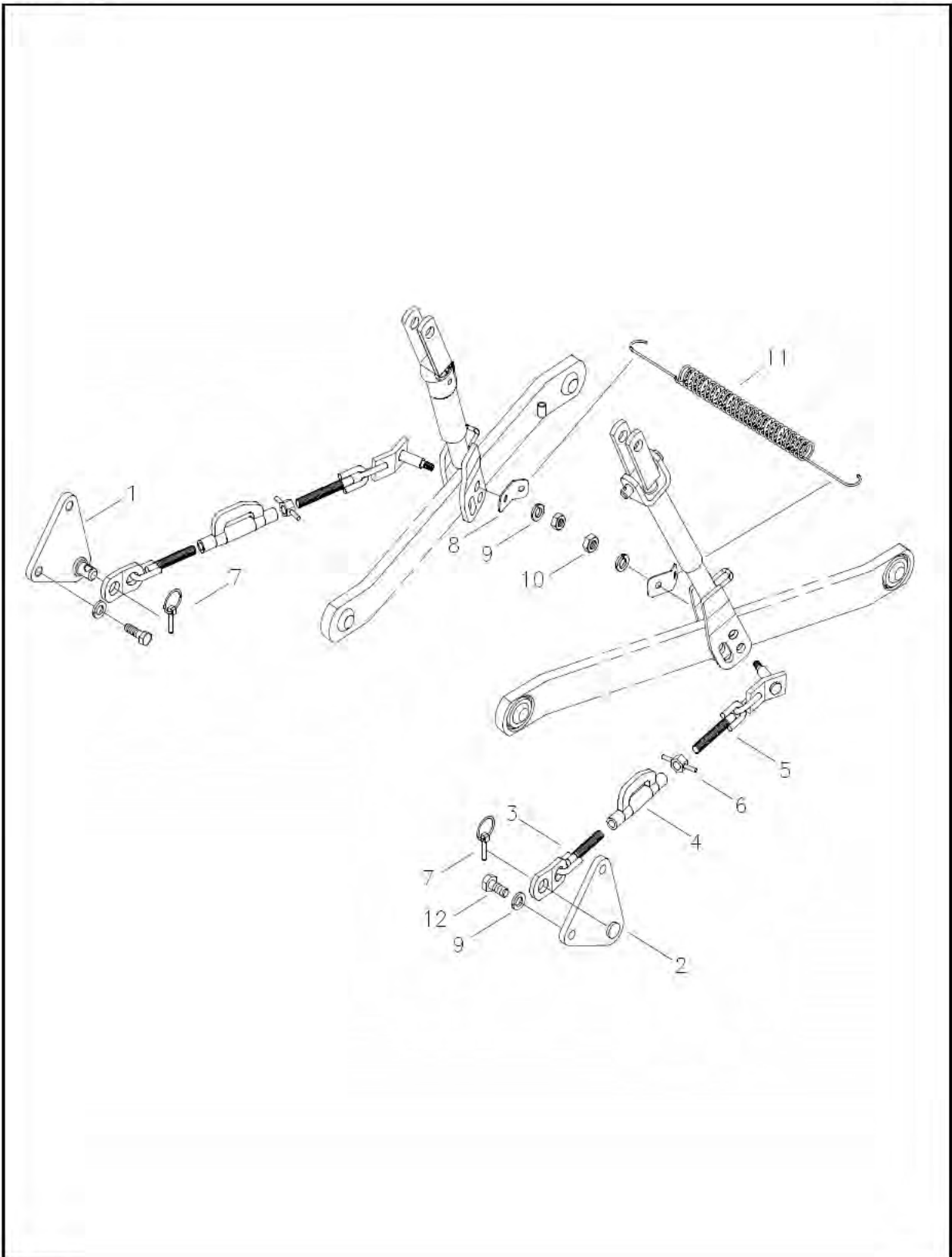
FIG. 9-14

NO.	PART NO.	PART NAME & DESCRIPTION	QTY			APP. NO	REM.
			A	B	C		
1	A1896321	BRACKET, C/CHAIN(R)	1	1			
2	A1896322	BRACKET, C/CHAIN(L)	1	1			
3~6	A1896590	CHECK CHAIN ASSY	2	2			
3	A1896589	CHAIN(F)	2	2			
4	A1896592	TURN BUCKLE	2	2			
5	A1896591	CHAIN(R)	2	2			
6	S301160013	NUT, LOCK	2	2			
7	3A1896081	PIN, LINK	2	2			
8	A1896333	BRACKET, SPRING	2	2			
9	S361140013	WASHER, SPRING	6	6			
10	S314140013	NUT, HEX	2	2			
11	A1896067	SPRING, LOWER LINK	1	1			
12	S101143543	BOLT, HEX	4	4			

CHECK LINK

FIG. 9-14

G. 896



CHECK LINK

A-C38, B-C45

A-C38, B-C45

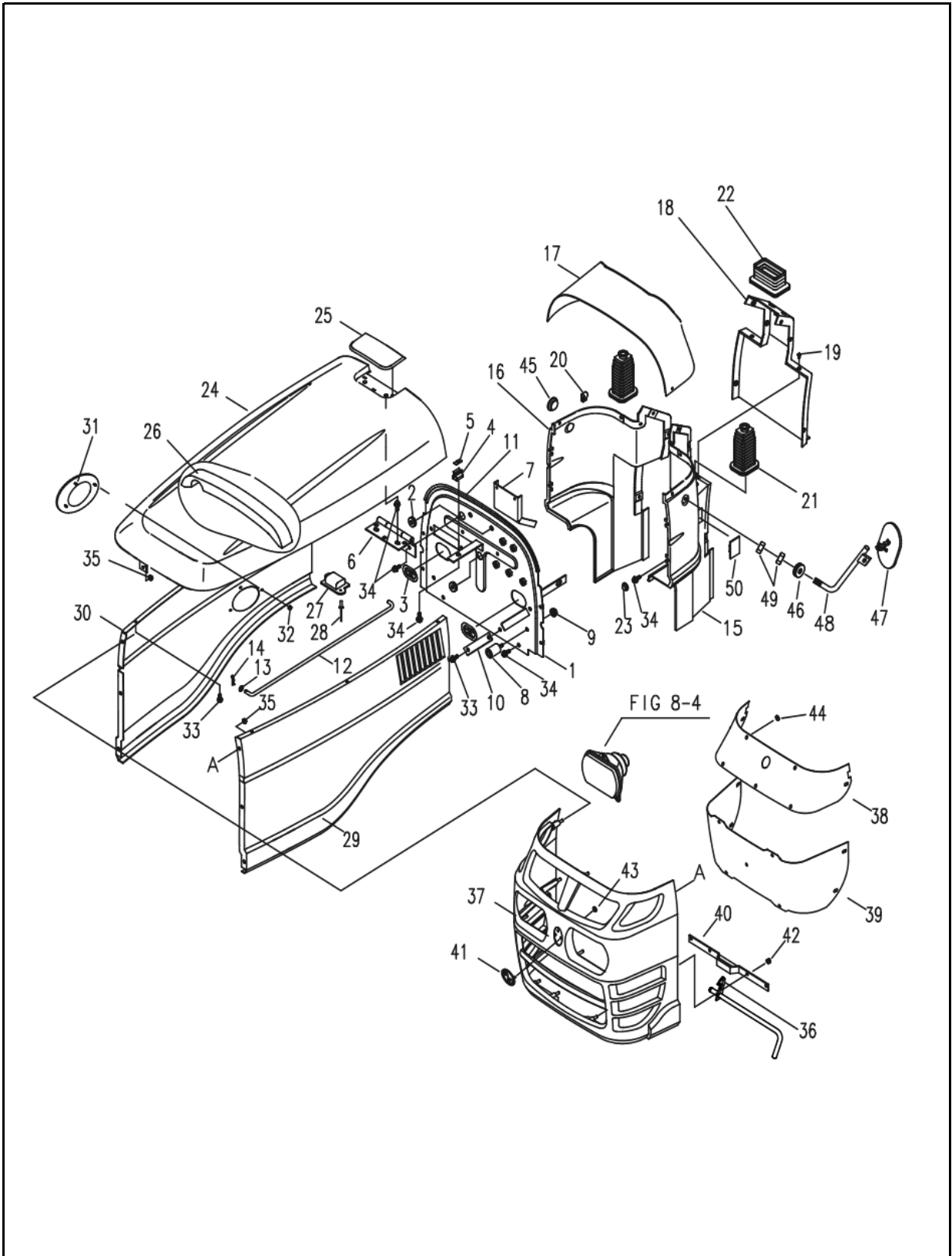
FIG. 9-14

NO.	PART NO.	PART NAME & DESCRIPTION	QTY			APP. NO	REM.
			A	B	C		
1	A1896321	BRACKET, C/CHAIN(R)	1	1			
2	A1896322	BRACKET, C/CHAIN(L)	1	1			
3~6	A1896345	CHECK CHAIN ASSY	2	2			
3	A1896346	CHAIN(F)	2	2			
4	A1896348	TURN BUCKLE	2	2			
5	A1896347	CHAIN(R)	2	2			
6	A1896349	NUT, LOCK	2	2			
7	3A1896081	PIN, LINK	2	2			
8	A1896333	BRACKET, SPRING	2	2			
9	S361140013	WASHER, SPRING	6	6			
10	S314140013	NUT, HEX	2	2			
11	A1896067	SPRING, LOWER LINK	1	1			
12	S101143543	BOLT, HEX	4	4			

HOOD

FIG. 10-1D

G. 830



HOOD

A-C38, B-C45

A-C38, B-C45

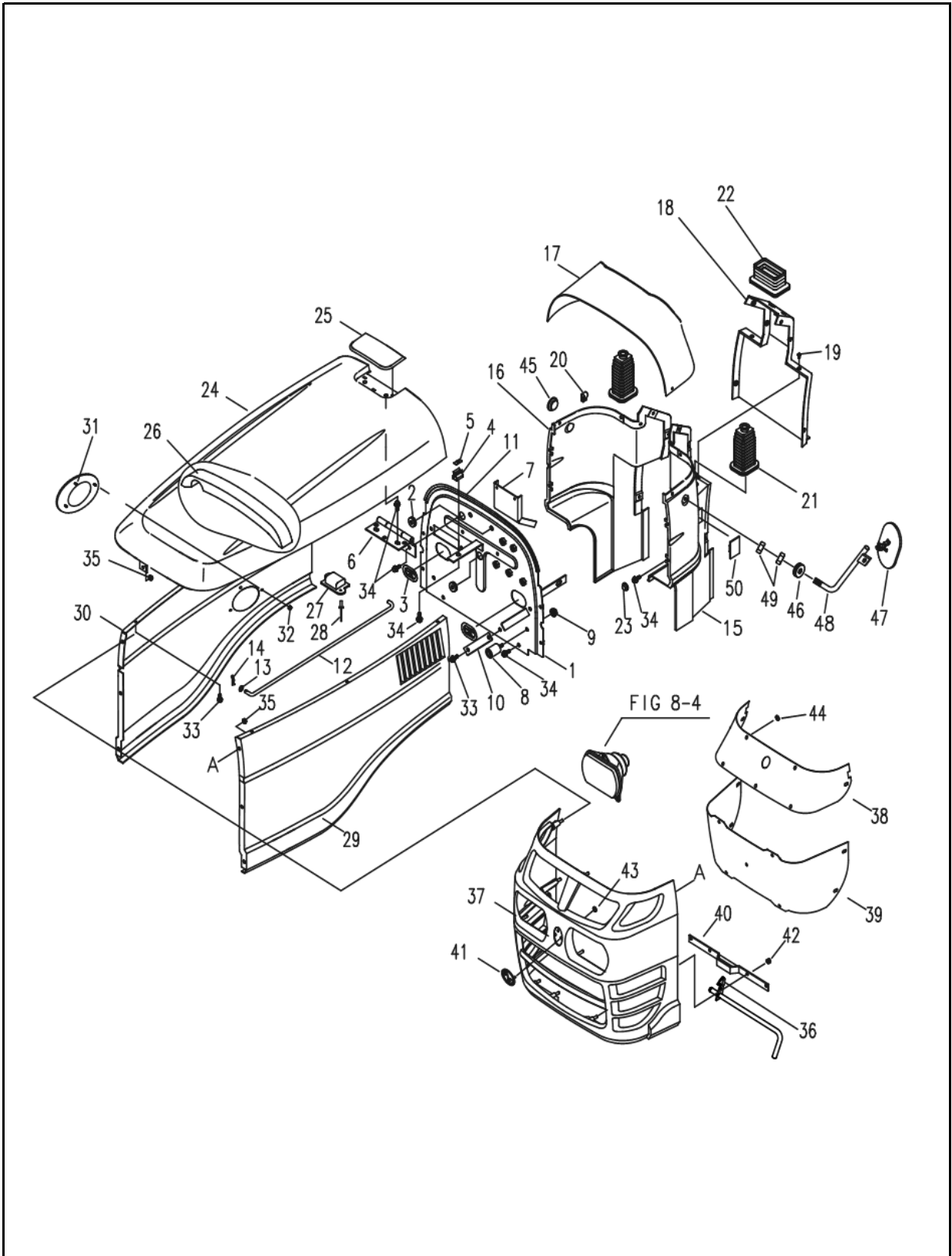
FIG. 10-1D AG

NO.	PART NO.	PART NAME & DESCRIPTION	QTY			APP. NO	REM.
			A	B	C		
1	A1830306	PLATE, HEAT INTERCEPT	1	1			
2	A1830166	GROMMET	2	2			
3	A1970210	GROMMET	2	2			
4	A0690218	SPRING	1	1			
5	A7200107	BRACKET, SPRING	1	1			
6	A1830258	HINGE	1	1			
7	A1830260	BRACKET, HINGE	1	1			
8	A1830288	STOPPER, RUBBER	2	2			
9	S345080013	NUT, FLANGE	2	2			
10	A1830307	COVER	1	1			
11	A1970269	WEATHER STRIP	1	1			
12	A1830284	ROD, UPPER COVER	1	1			
13	S363080013	WASHER, PLN.	1	1			
14	S443080013	PN, SNAP.	1	1			
15	A1830584	PANEL, BODY(LH)	1	1			
16	A1830585	PANEL, BODY(RH)	1	1			
17	A1830220	PANEL, BODY(UPPER)	1	1			
18	A1830328	PANEL, BADCY(REAR)	1	1			
19	A1830417	SCREW, TP. CRS, CSNK.	12	12			
20	A1970279	PLATE, LOCK	12	12			
21	A1830240	COVER, DUST LEVER	2	2			
22	A1830252	COVER, STEERING	1	1			
23	A1830283	CAP, BOLT	4	4			
24	A1830605	HOOD, BONNET	1	1			
25	A1830257	COVER, HINGE	1	1			
26	A1830308	SEAL, RADIATOR AIR	1	1			
27	A1830286	STOPPER, HOOD SUPPORT	1	1			
28	S466321010	RIVET, BLIND	2	2			
29	A1830596	COVER, SIDE(LH)	1	1			
30	A1830597	COVER, SIDE(RH)	1	*			
31	A1830305	COVER, EXHAUST	1	1			
32	S345050013	NUT, FLANGE	3	3			
33	S159061633	BOLT	8	8			
34	S159082033	BOLT	12	12			
35	S345060013	NUT, FLANGE	9	9			
36	A1970304	BAND, RUBBER	1	1			
37~47	A1830602	GRILLE ASSY	1	1			
37	A1830603	GRILLE	1	1			
38	A1830407	NET, GRILLE(UPPER)	1	1			
39	A1830408	NET, GRILLE(LOWER)	1	1			
40	A1830421	HANGER	1	1			
41	A5002129	MARK, SYMBOL	1	1			
42	A1970309	NUT, LOCK	4	4			
43	A0760137	NUT, SPEED	2	2			
44	A1970340	NUT, SPEED	16	16			

HOOD

FIG. 10-1D

G. 830



HOOD

A-C38, B-C45

A-C38, B-C45

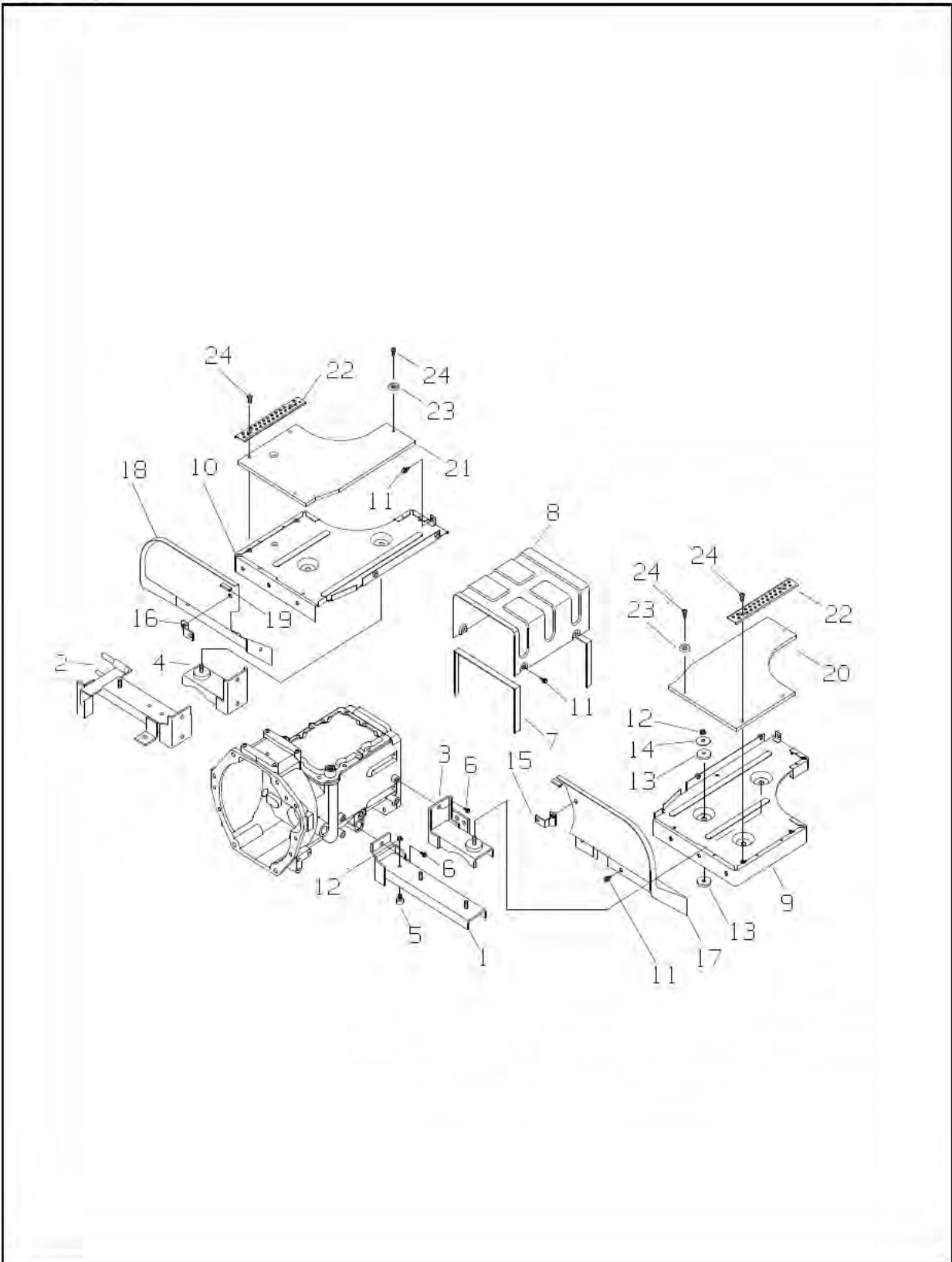
FIG. 10-1D AG

NO.	PART NO.	PART NAME & DESCRIPTION	QTY			APP. NO	REM.
			A	B	C		
45	A1970303	CAP, RUBBER	1	1			
46	A1830166	GROMMET	1	1			
47	2A1909001	MIRROR, REAR VIEW	1	1			
48	A1830285	STAY, BACK MIRROR	1	1			
49	S346100013	NUT, FLANGE	2	2			
		M10x1.25					
50	A1830357	CAP, EM. SWITCH HOLE	1	1			

STEP

FIG. 10-2C

G. 840



STEP

A-C38, B-C45

A-C38, B-C45

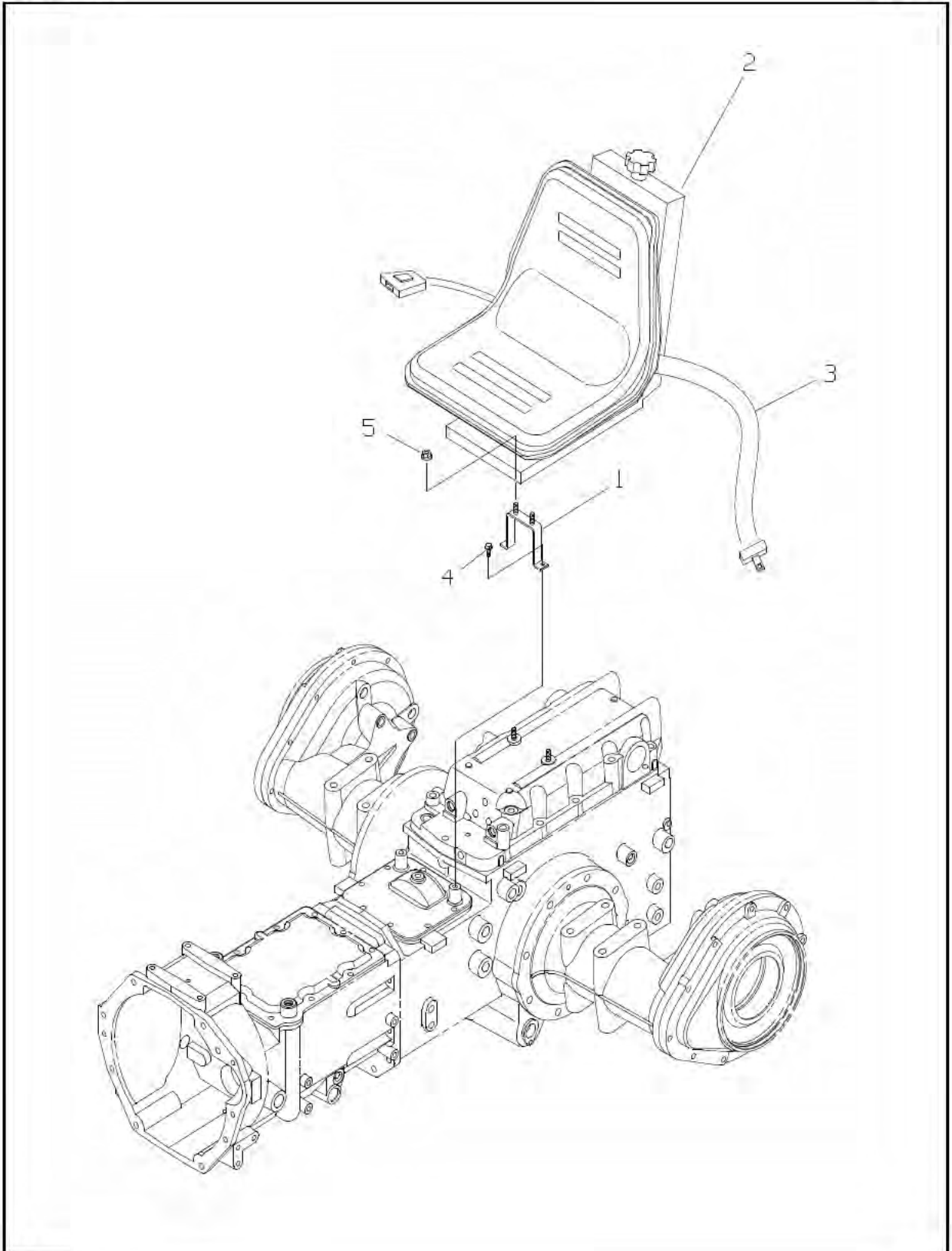
FIG. 10-2C AG

NO.	PART NO.	PART NAME & DESCRIPTION	QTY			APP. NO	REM.
			A	B	C		
1	A1840067	BRACKET, STEP FRONT(LH)	1	1			
2	A1840068	BRACKET, STEP FRONT(RH)	1	1			
3	A1840069	BRACKET, STEP REAR(LH)	1	1			
4	A1840081	BRACKET, STEP REAR(RH)	1	1			
5	A3260012	RUBBER	3	3			
6	S154102033	BOLT, HEX. W/WASHER	M10x1.25x20L	8	8		
7	A1840076	SPONGE		2	2		
8	A1840263	COVER, T/M CASE	GREEN	1	1		
9	A1840261	STEP(LH)	GREEN	1	1		
10	A1840262	STEP(RH)	GREEN	1	1		
11	S159082033	BOLT, HEX. W/WASHER	M8x1.25x20L	12	12		
12	S345080013	NUT, FLANGE B-TY	M8x1.25	8	8		
13	A1840074	RUBBER, CUSHION		10	10		
14	A1840073	WASHER, STEP		5	5		
15	A1840097	BRACKET, COVER(LH)		1	1		
16	A1840098	BRACKET, COVER(RH)		1	1		
17	A1840264	COVER(LH)	GREEN	1	1		
18	A1840265	COVER(RH)	GREEN	1	1		
19	A1970346	WEATHER STRIP		2	2		
20	A1840070	MAT, STEP(LH)		1	1		
21	A1840071	MAT, STEP(RH)		1	1		
22	A1840072	BRACKET, MAT SIDE		2	2		
23	A1840082	WASHER, MAT		4	4		
24	S220802511	SCREW, CROSS CSNK.	M8x1.25x25L	8	8		

SEAT

FIG. 10-4D

G. 850



SEAT

A-C38, B-C45

A-C38, B-C45

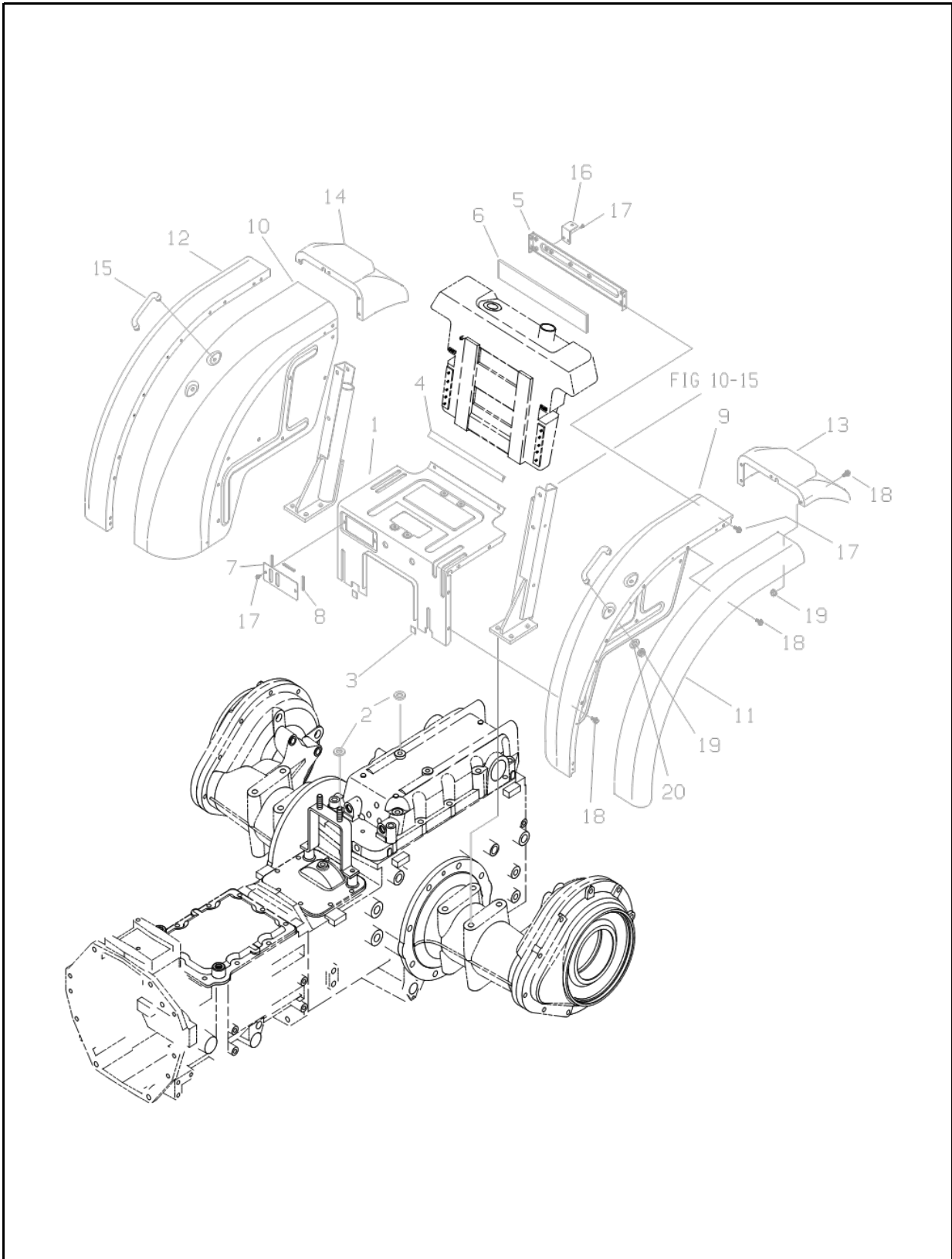
FIG. 10-4D EX, AG, VA, TK PT, TF

NO.	PART NO.	PART NAME & DESCRIPTION	QTY			APP. NO	REM.
			A	B	C		
1	A1850078	BRACKET, SEAT	1	1			
2~3	A1850221	SEAT ASY, W/SEAT BELT	1	1			
2	A1850225	SEAT ASSY	1	1			
3	A1850226	SEAT BELT ASSY	1	1			
4	S156102533	BOLT. HEX. W/WASHER	M10x1.25x25L	2	2		
5	S346100013	NUT, FLANGE B-TY	M10x1.25	4	4		

FENDER

FIG. 10-14D

G. 870



FENDER

A-C38, B-C45

A-C38, B-C45

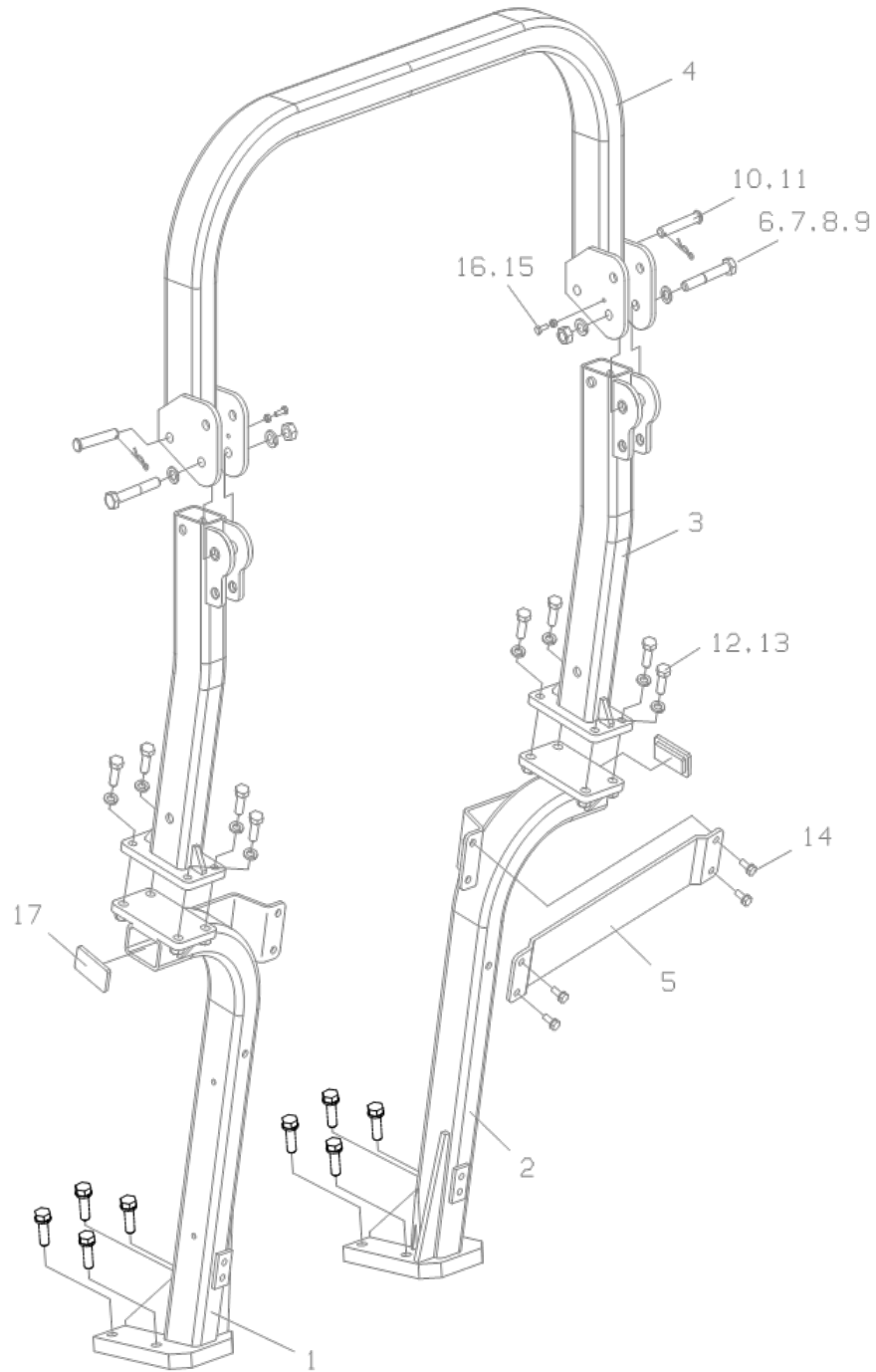
FIG. 10-14D AG

NO.	PART NO.	PART NAME & DESCRIPTION	QTY			APP. NO	REM.
			A	B	C		
1	A1870421	COVER, CENTER					
2	A1840074	RUBBER, CUSHION					
3	A1870237	SPONGE					
4	A1970347	WEATHER STRIP					
5	A1870374	COVER, REAR					
6	A1870233	SPONGE					
7	A1870444	COVER ASSY W/STOPPER					
8	A1870234	SPONGE					
9	A1870418	FENDER(LH)					
10	A1870419	FENDER(RH)					
11	A1870211	EXTENTION, FENDER(LH)					
12	A1870212	EXTENTION, FENDER(RH)					
13	A1870213	EXTENTION, REAR(LH)					
14	A1870214	EXTENTION, REAR(RH)					
15	3A1870006	RAIL, HAND					
16	A1870375	BRACKET, WORKING LIGHT					
17	S159081633	BOLT					
18	S159082033	BOLT					
19	S345080013	NUT, FLANGE					
20	S365082613	WASHER, PLN.					

SAFETY FRAME

FIG. 10-15D

G. 880



SAFETY FRAME

A-C38, B-C45

A-C38, B-C45

FIG. 10-15D AG, VA, MY

NO.	PART NO.	PART NAME & DESCRIPTION	QTY			APP. NO	REM.
			A	B	C		
1	A1880098	PILLAR LOWER, REAR ROPS LH	1	1			
2	A1880099	PILLAR LOWER, REAR ROPS RH	1	1			
3	A1880100	PILLAR MID, REAR ROPS	2	2			
4	A1880101	BEAM UPPER, REAR ROPS	1	1			
5	A1880102	PLATE, CONNECTOR	1	1			
6	S101149043	BOLT, HEX	M14X2.0X90L	2	2		
7	S301140043	NUT, HEX	M14X2.0	2	2		
8	S361140013	WASHER, SPR	D24.5Xd14.2X3.5t	2	2		
9		WASHER, SPR	D24Xd15X2.5t	2	2		
10	S427148023	PIN	Φ14X80L	2	2		
11	S443140013	PIN, SNAP	Φ14X40.6L	2	2		
12	S105124553	BOLT, HEX	M12X1.75X45L	8	8		
13	S361120013	WASHER, SPR	D21.5Xd12.2X3t	8	8		
14	S159082533	BOLT, HEX. W/WASHER	M8X1.25X25L	4	4		
15	S163062043	BOLT, HEX	M6X1.0X20L	2	2		
16	S301060043	NUT, HEX	M6X1.0	2	2		
17	A1880103	COVER, RUBBER		2	2		

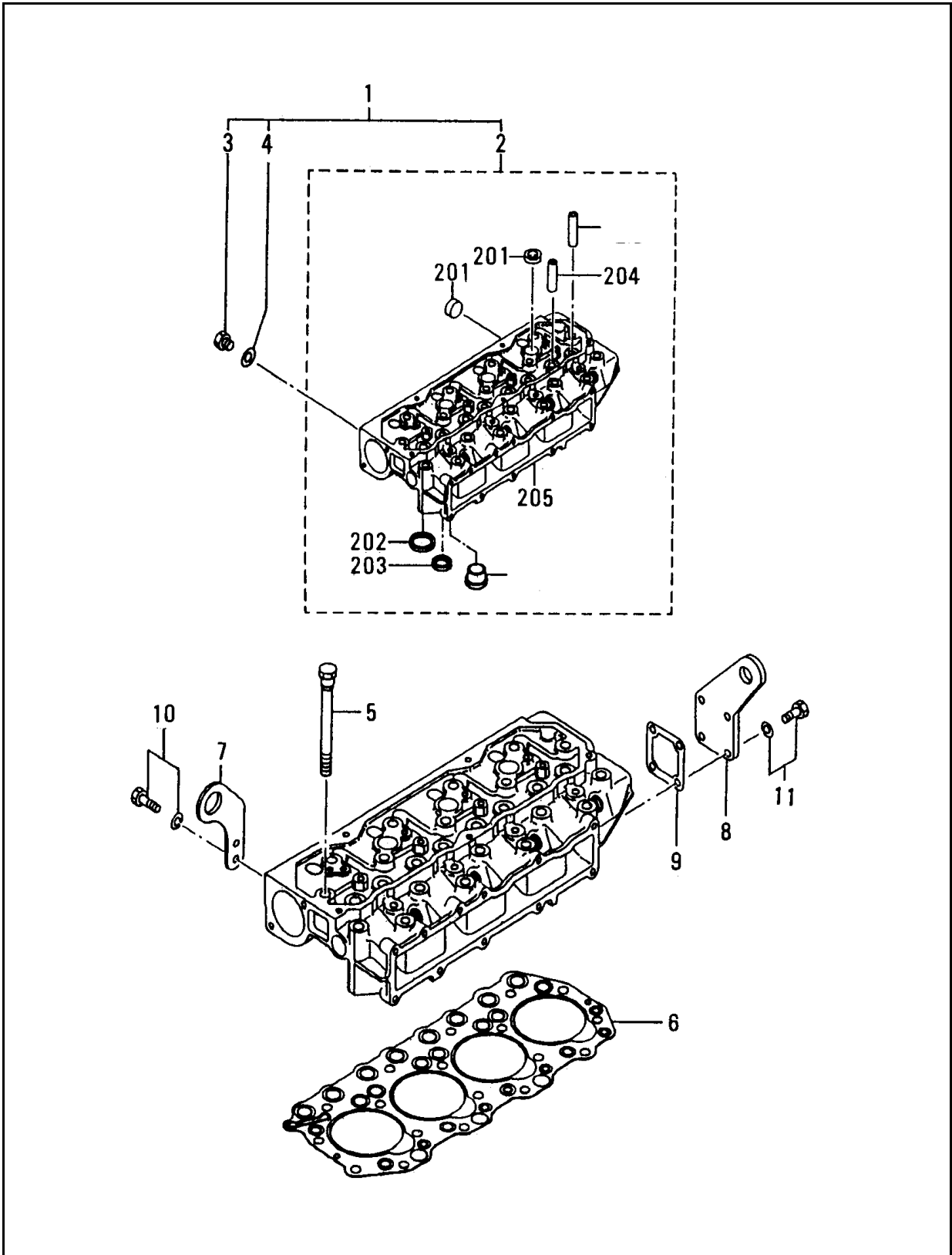
엔진 부품

ENGINE PART

실린더 헤드 / CYLINDER HEAD -----	FIG. 01
밸브 메커니즘 / VALVE MECHANISM -----	FIG. 04-01
록커 커버 & 캠 샤프트 / ROCKER COVER & CAMSHAFT -----	FIG. 04-02
크랭크 케이스(1) / CRANKCASE (PART-1) -----	FIG. 07-01
크랭크 케이스(2) / CRANKCASE (PART-2) -----	FIG. 07-02
타이밍 기어 케이스 & 타이밍 기어 / TIMING GEAR CASE & TIMING GEAR -----	FIG. 11
오일팬 & 오일 레벨 게이지 / OIL PAN & OIL LEVEL GAUGE -----	FIG. 13
메인 무빙 파트 / MAIN MOVING PARTS -----	FIG. 17
사이드 PTO / SIDE POWER TAKE-OFF -----	FIG. 25
바란서 / BALANCER -----	FIG. 29
흡기 매니폴드 / INLET MANIFOLD -----	FIG. 30
오일 시스템 / OIL SYSTEM -----	FIG. 36
냉각 시스템 / COOLING SYSTEM -----	FIG. 46
연료 시스템 / FUEL SYSTEM -----	FIG. 61-01
노즐 / NOZZLE -----	FIG. 61-02
연료 필터 / FUEL FILTER -----	FIG. 62
전장 파트 / ELECTRIC PARTS -----	FIG. 66-01
스타터 / STARTER (12V-2.2KW) -----	FIG. 66-02
발전기 / ALTERNATOR(12V-50A) -----	FIG. 68
액세서리 / ACCESSORY -----	FIG. 92
가스켓 키트 / OVERHAUL GASKET KIT -----	FIG. 94

CYLINDER HEAD

FIG. 01



CYLINDER HEAD

A-LT380D, B-C45

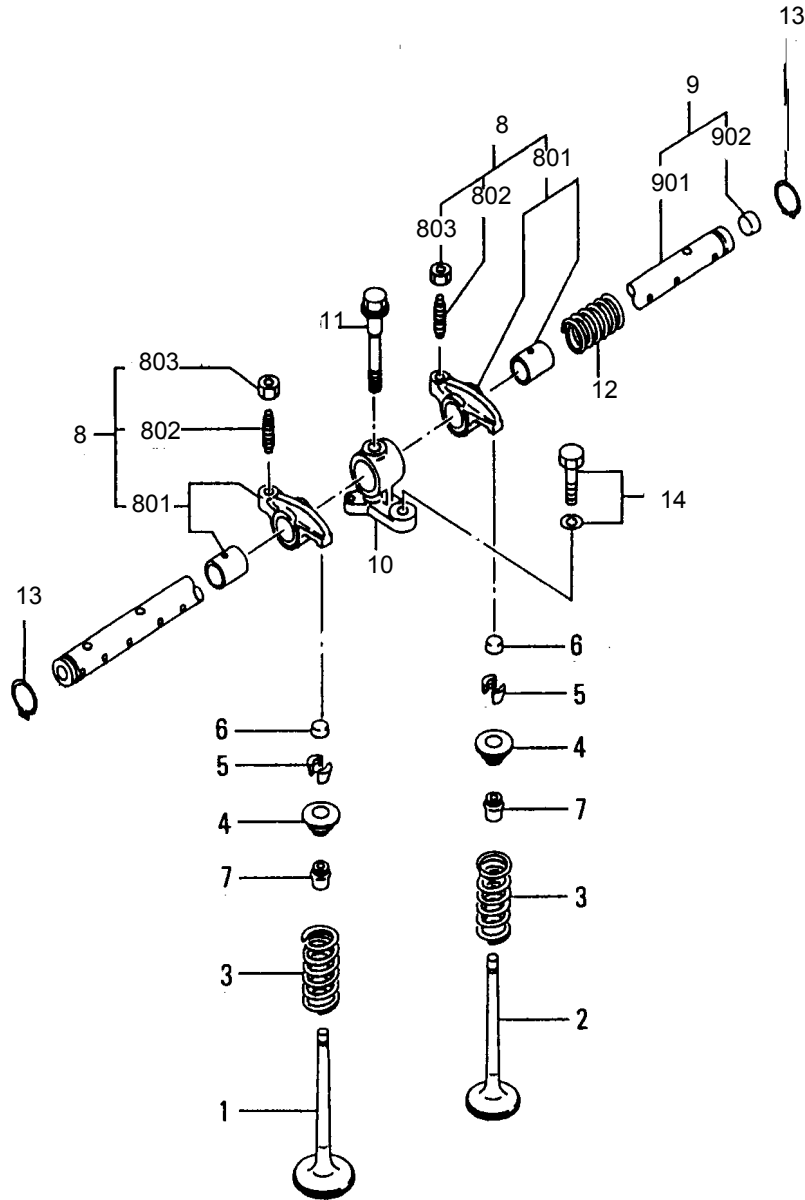
A-LT380D, B-LT450D

FIG. 01

NO.	PART NO.	PART NAME & DESCRIPTION	QTY		APP. NO	REM.
			A	B		
1	*	HEAD ASSY, CYL	1	*		
2	*	HEAD ASSY, CYL	*	1		
3	Q1160042	HEAD SUB ASSY, CYL.	1	*		
4	Q1160043	HEAD SUB ASSY, CYL.	*	1		
5	Q0710019	CAP, SEALING	7	7		
6	Q1160028	INSERT, IN.	4	4		
7	Q1160029	INSERT, IN.	4	4		
8	Q1160004	GUIDE, VALVE	4	4		M5x0.8
9	Q1160009	GUIDE, VALVE	4	4		M6x1.0x12L
10	Q1160032	HEAD, CYLINDER	1	*		
11	Q1160033	HEAD, CYLINDER	*	1		
12	Q1160036	JET, COMBUSTION	4	*		
13	Q1160024	JET, COMBUSTION	*	4		
14	A0610088	PLUG, DRAIN	1	1		
15	Q1160011	GASKET	1	1		
16	Q1160012	BOLT, CYL. HEAD	18	18		
17	Q1160013	GASKET	1	1		
18	Q1160014	EYE, LIFTING FR.	1	1		
19	Q1160015	EYE, LIFTING RE.	1	1		
20	Q1160016	GASKET	1	1		
21	S153081633	BOLT, W/WASHER	2	2		
22	S153082033	BOLT, W/WASHER	4	4		

VALVE MECHANISM

FIG. 04-01



VALVE MECHANISM

A-LT380D, B-C45

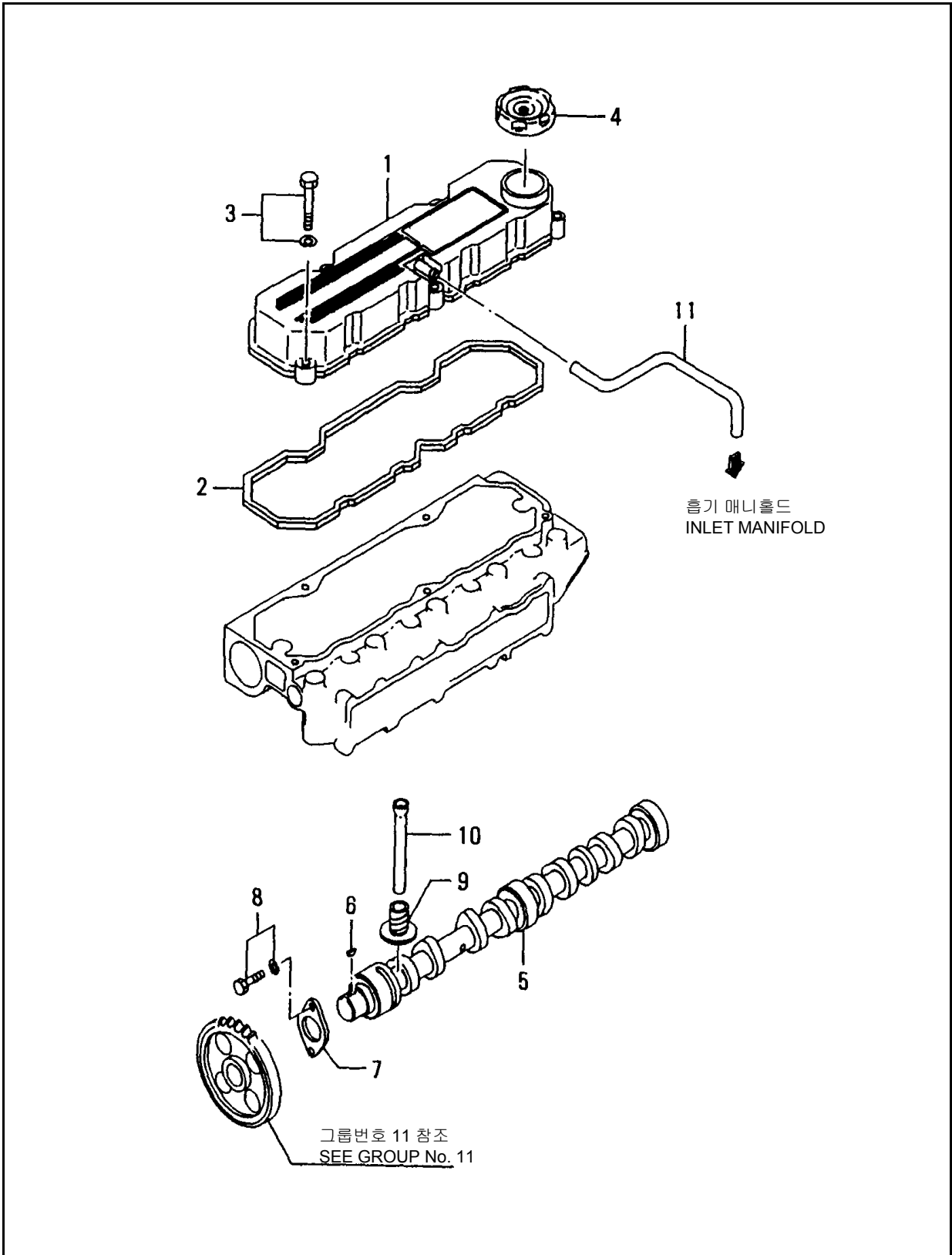
A-LT380D, B-LT450D

FIG. 04-01

NO.	PART NO.	PART NAME & DESCRIPTION	QTY		APP. NO	REM.
			A	B		
1	Q1210001	ROCKER & SHAFT ASSY	1	1		
2	Q1210012	VALVE, IN.	4	4		
3	Q1210013	VALVE, EXH.	4	4		
4	Q1210014	SPRING	8	8		
5	Q1210016	RETAINER	8	8		
6	Q1210017	COTTER, VALVE	16	16		
7	Q1210018	CAP	8	8		
8	Q1210015	SEAL, VALVE STEM	8	8		
9	Q1210008	ROCKER & BUSHING	8	8		
10	Q1210009	SCREW, ADJUSTING	8	8		
11	S315080043	NUT	8	8		
12	Q1210002	SHAFT ASSY, ROCKER	1	1		
13	Q1210006	SHAFT, ROCKER	1	1		
14	Q1210007	PLUG	2	2		
15	Q1210004	BRACKET, ROCKER	4	4		
16	Q1210019	BOLT	4	4		
17	Q1210005	SPRING, ROCKER	3	3		
18	S810019001	RING, SNAP	2	2		
19	S153082533	BOLT, W/WASHER	4	4		

ROCKER COVER & CAMSHAFT

FIG. 04-02



ROCKER COVER & CAMSHAFT

A-LT380D, B-C45

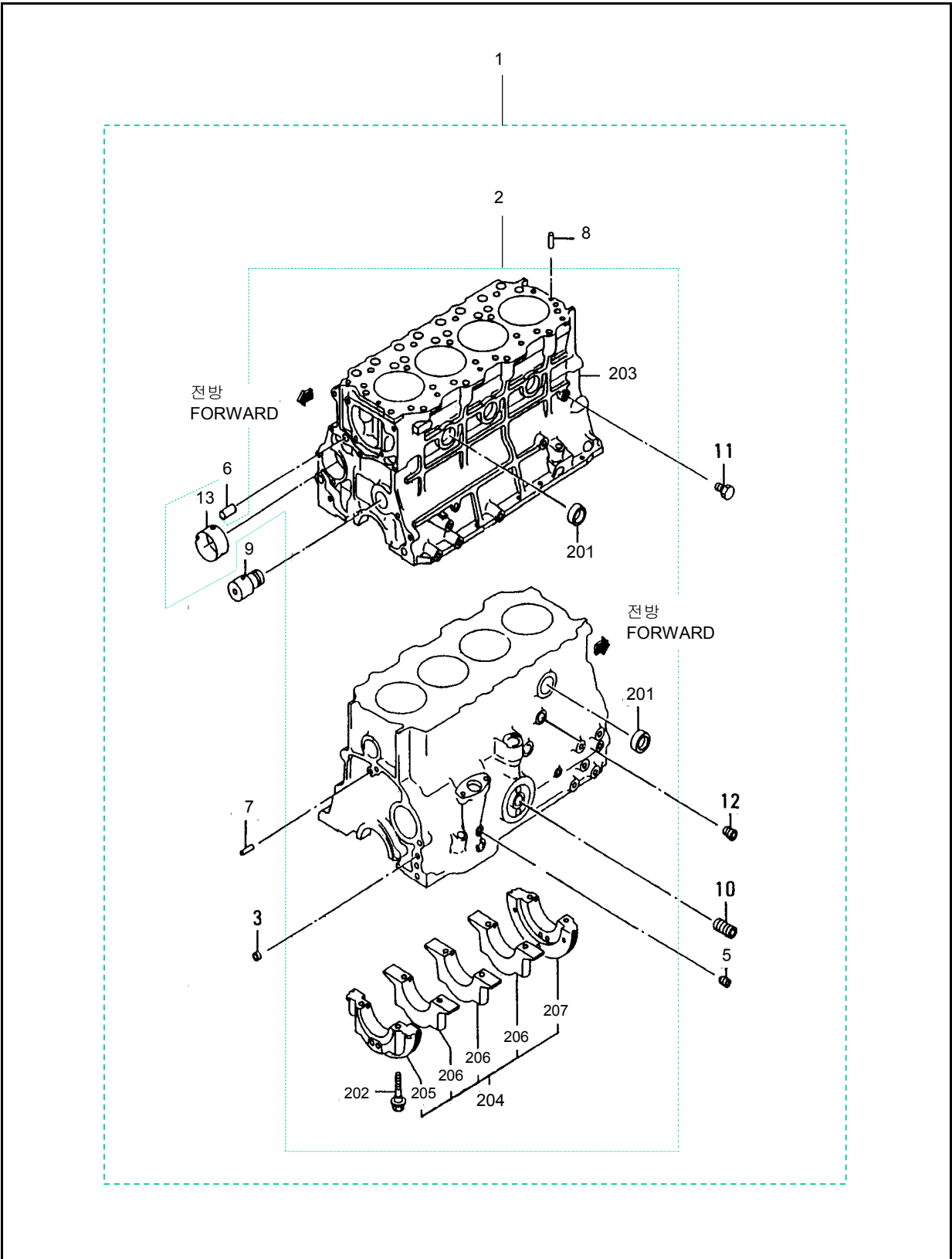
A-LT380D, B-LT450D

FIG. 04-02

NO.	PART NO.	PART NAME & DESCRIPTION	QTY		APP. NO	REM.
			A	B		
1	Q1150001	COVER ASSY, ROCKER	1	1		
2	Q1150004	GASKET, ROCKER	1	1		
3	S153084033	BOLT, W/WASHER	5	5		
4	Q1150005	CAP, OIL	1	1		
5	Q1220001	CAMSHAFT	1	1		
6	Q0630001	KEY, WOODRUFF	1	1		
7	Q1220002	PLATE, THRUST	1	1		
8	S153081633	BOLT, W/WASHER	2	2		
9	Q1220003	TAPPET	8	8		
10	Q1220004	ROD, PUSH	8	8		
11	Q1150006	HOSE, AIR	1	1		

CRANKCASE ASSY

FIG. 07-01



CRANKCASE ASSY

A-LT380D, B-C45

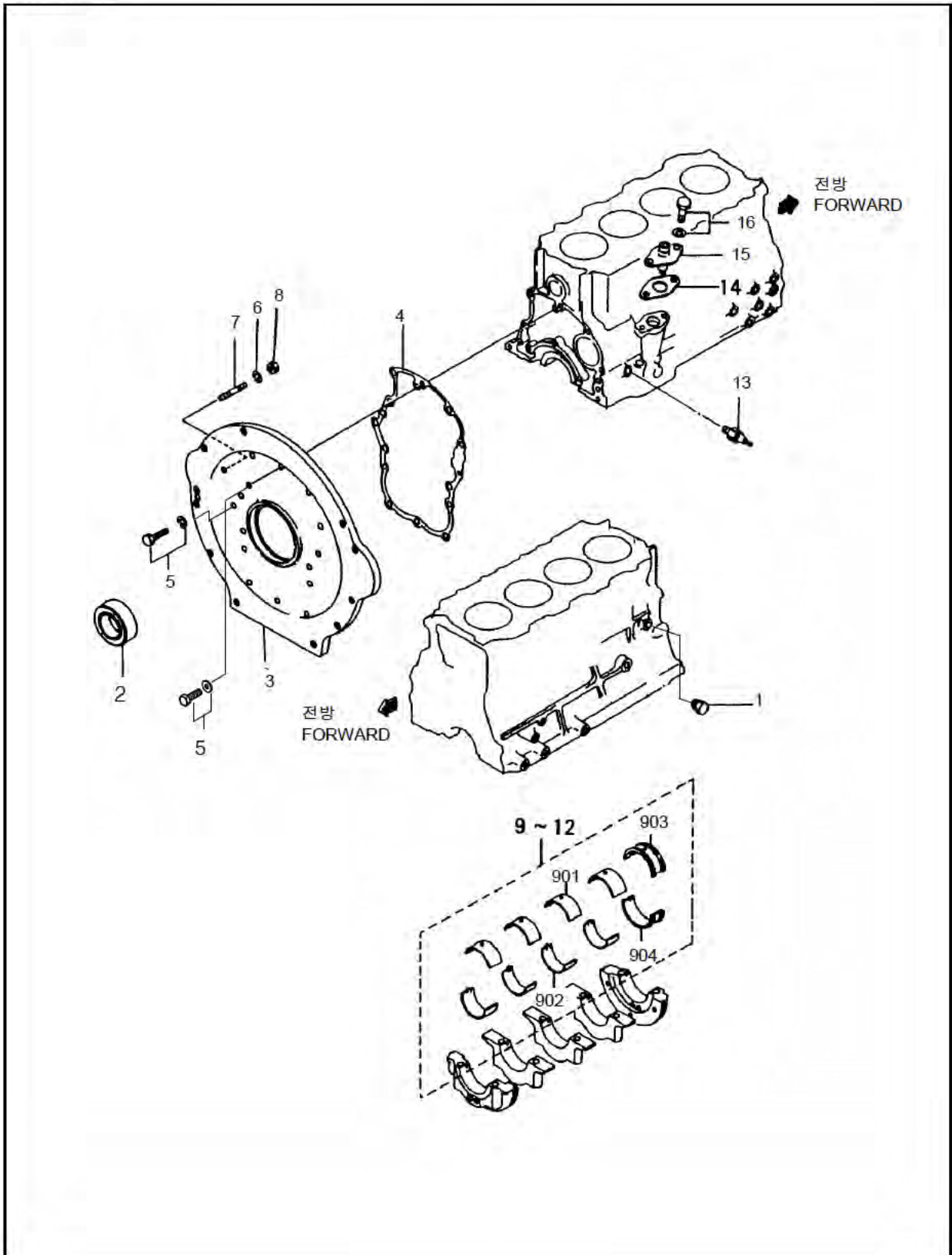
A-LT380D, B-LT450D

FIG. 07-01

NO.	PART NO.	PART NAME & DESCRIPTION	QTY		APP. NO	REM.
			A	B		
1	*	CRANKCASE ASSY	1	1		
2	Q1100052	CRANKCASE SUB ASSY	1	1		
01	Q0710020	CAP, SEALING	6	6		
02	Q1100021	BOLT, BEARING CAP	10	10		
03	*	CRANKCASE	1	1		
04	Q1100015	BEARING ASSY, CAP	1	1		
05	*	CAP, BEARING	1	1		
06	*	CAP, BEARING	3	3		
07	*	CAP, BEARING	1	1		
3	Q0710004	CAP, SEALING	3	3		
4	*	PLUG, RUBBER	*	*		
5	A0610167	PLUG, TAPER	4	4		
6	Q1100023	PIN, DOWEL	2	2		
7	Q0620002	PIN, DOWEL	4	4		
	Q0620002	PIN, DOWEL	2	2		
8	Q0620001	PIN, DOWEL	2	2		
9	Q1100024	SHAFT, IDLER	1	1		
10	Q1400009	SHAFT, OIL FILTER	1	1		
11	*	PLUG, TAPER	1	1		
12	A0610169	PLUG, TAPER	2	2		
13	Q1100022	BUSHING CAMSHAFT, FR	1	1		

CRANKCASE ASSY

FIG. 07-02



CRANKCASE ASSY

A-LT380D, B-C45

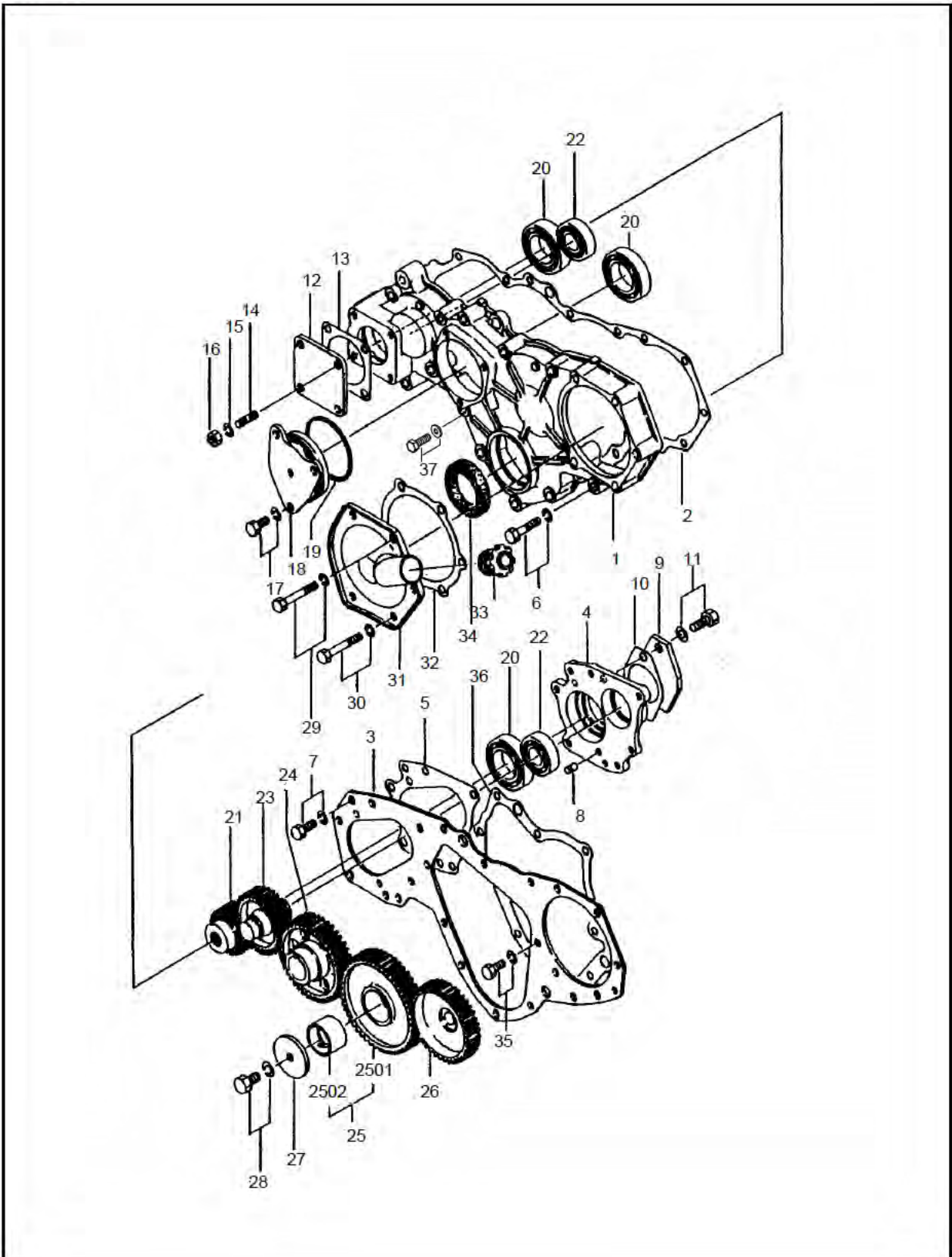
A-LT380D, B-LT450D

FIG. 07-02

NO.	PART NO.	PART NAME & DESCRIPTION	QTY		APP. NO	REM.
			A	B		
1	Q1100051	PLUG, DRAIN	1	1		
2	Q1100008	SEAL, OIL	1	1		
3	Q1550012	CASE, REAR	1	1		
4	Q1550023	GASKET, REAR	1	1		
5	Q1550010	BOLT, REAR CASE	14	14		
		M10x1.25x50L				
6	S361100013	WASHER, SPRING	2	2		
7	Q1550003	STUD	2	2		
		M10x1.25				
8	S314100013	NUT	2	2		
9	Q1100003	METAL SET, MAIN	1	1		
		STD				
901	Q1100026	METAL, MAIN UPPER	4	4		
		STD				
902	Q1100030	METAL, MAIN LOWER	4	4		
		STD				
903	Q1100034	METAL, MAIN UPPER	1	1		
		STD				
904	Q1100038	METAL, MAIN LOWER	1	1		
		STD				
10	Q1100004	METAL SET, MAIN	1	1		
		U.S. 0.25				
11	Q1100005	METAL SET, MAIN	1	1		
		U.S. 0.50				
12	Q1100006	METAL SET, MAIN	1	1		
		U.S. 0.75				
13	Q1800003	SWITCH, OIL	1	1		
14	Q1100043	GASKET	1	1		
15	Q1100042	FLANGE	1	1		
16	S153082033	BOLT, W/WASHER	2	2		

TIMING GEAR CASE & TIMING GEAR

FIG. 11



TIMING GEAR CASE & TIMING GEAR

A-LT380D, B-C45

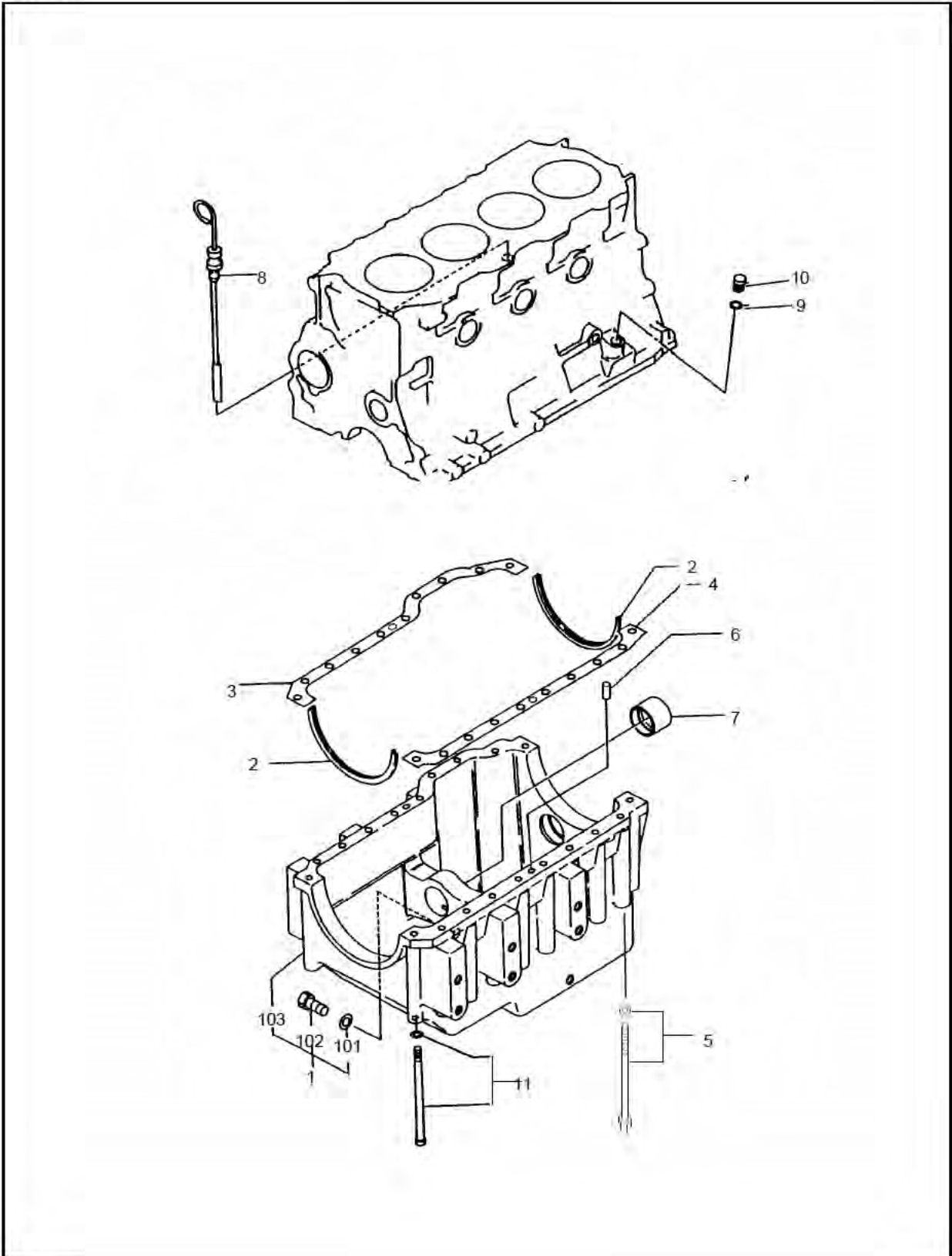
A-LT380D, B-LT450D

FIG. 11

NO.	PART NO.	PART NAME & DESCRIPTION	QTY		APP. NO	REM.
			A	B		
1	Q1300001	CASE, TIMING GEAR	1	1		
2	Q1300015	GASKET, GEAR CASE	1	1		
3	Q1300013	PLATE, FRONT	1	1		
4	Q1300024	CASE, BEARING	1	1		
5	Q1300025	GASKET, BEARING CASE	1	1		
6	S153085533	BOLT, W/WASHER	M8x1.25x55	1	1	
7	S153082033	BOLT, W/WASHER	M8x1.25x20	2	2	
8	Q1300026	PIN, DOWEL		2	2	
9	*	PLATE		*	*	
10	*	GASKET		*	*	
11	*	BOLT, W/WASHER	M10x1.25x20	*	*	
12	Q1300018	COVER, OIL PUMP		*	*	
13	3A1823010	GASKET		*	*	
14	S139082523	STUD		4	4	
15	*	WASHER, SPRING		*	*	
16	*	NUT		*	*	
17	S153081633	BOLT, W/WASHER	M8x1.25x16	3	3	
18	Q1300017	CASE, BEARING		1	1	
19	S802075010	O-RING		1	1	
20	A0860080	BEARING, BALL	#6009	3	3	
21	Q1300010	GEAR, PUMP DRIVE		1	1	
22	A0862050	BEARING, BALL	#6206	2	2	
23	Q1300009	IDLER, P.T.O.		1	1	
24	Q1300005	GEAR, CAMSHAFT	Z=40	1	1	
25	Q1300006	GEAR ASSY, IDLER	Z=51	1	1	
01	*	GEAR, IDLER		1	1	
02	Q1300008	BUSHING, IDLER		1	1	
26	Q1300011	GEAR, INJ. PUMP	Z=40	1	1	
27	Q1300023	PLATE, THRUST		1	1	
28	S154102033	BOLT, W/WASHER	M10x1.25x20	1	1	
29	S153086033	BOLT, W/WASHER	M8x1.25x60	4	4	
30	S153086033	BOLT, W/WASHER	M8x1.25x60	1	1	
31	Q1300016	FILLER, OIL		1	1	
32	Q1300021	GASKET		1	1	
33	Q1300012	CAP, FILLER		1	1	
34	Q1300020	SEAL, OIL		1	1	
35	S153081633	BOLT, W/WASHER	M8x1.25x16	2	2	
36	Q1300014	GASKET, FRONT PLATE		1	1	
37	S153085033	BOLT, W/WASHER	M8x1.25x50	13	13	

OIL PAN

FIG. 13



OIL PAN

A-LT380D, B-C45

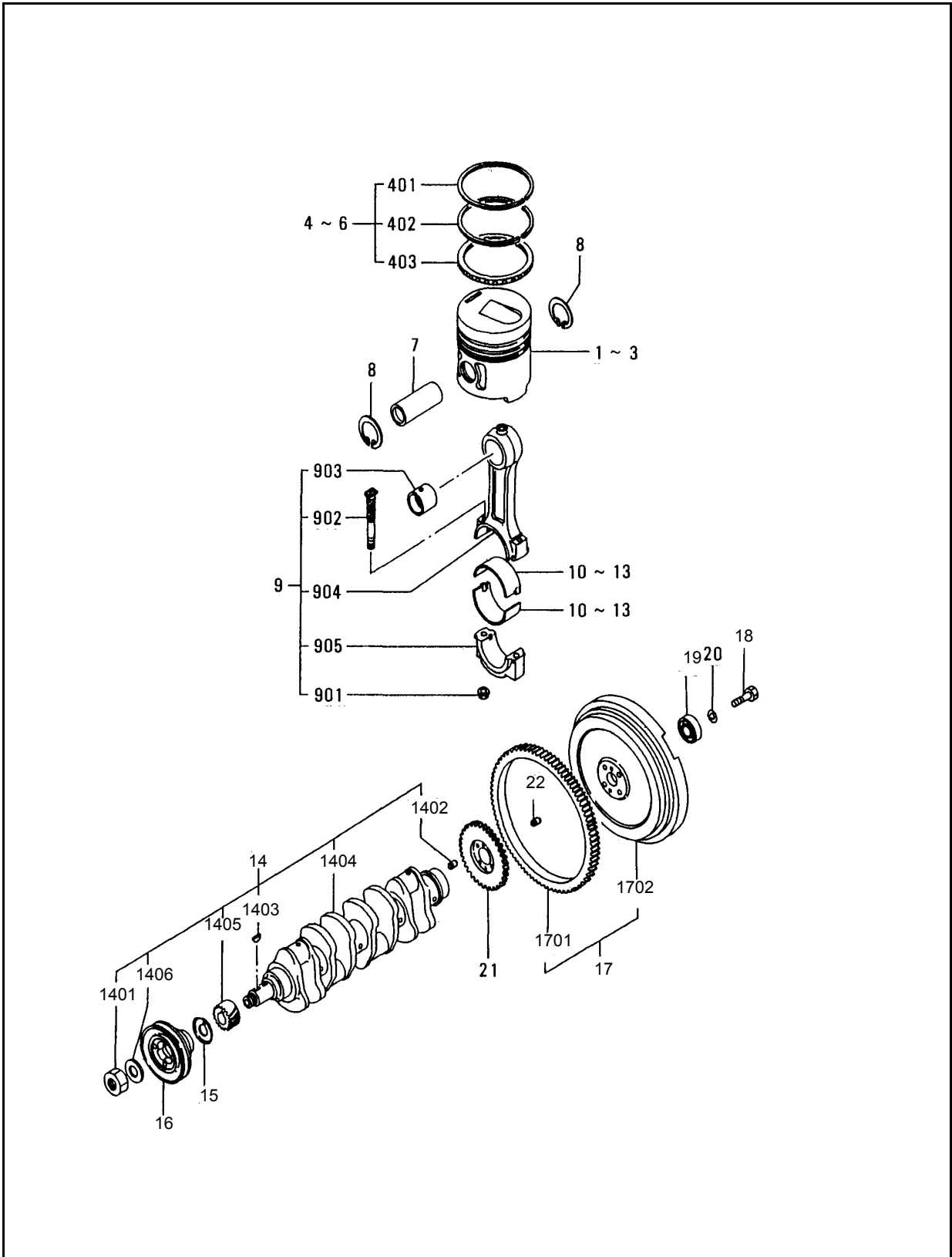
A-LT380D, B-LT450D

FIG. 13

NO.	PART NO.	PART NAME & DESCRIPTION	QTY		APP. NO	REM.
			A	B		
1	*	PAN ASSY, OIL	1	1		
101	Q0650003	GASKET	2	2		
102	Q0610002	PLUG, DRAIN	2	2		
103	Q1450002	PAN, OIL	*	*		
	Q1450027	PAN, OIL	1	1		
2	Q1450031	U-SEAL	1	1		
3	Q1450008	GASKET, OIL PAN A	1	1		
4	Q1450009	GASKET, OIL PAN B	1	1		
5	Q1450022	BOLT, OIL PAN	8	8		
6	Q0620002	PIN, DOWEL	2	2		
7	Q1450019	BEARING, NEEDLE	2	2		
8	Q1450011	GEAR, OIL LEVEL	1	1		
9	Q0650005	O-RING	1	1		
10	Q1450012	PLUG	1	1		
11	Q1450028	BOLT, OIL PAN	12	12		

MAIN MOVING PARTS

FIG. 17



MAIN MOVING PARTS

A-LT380D, B-C45

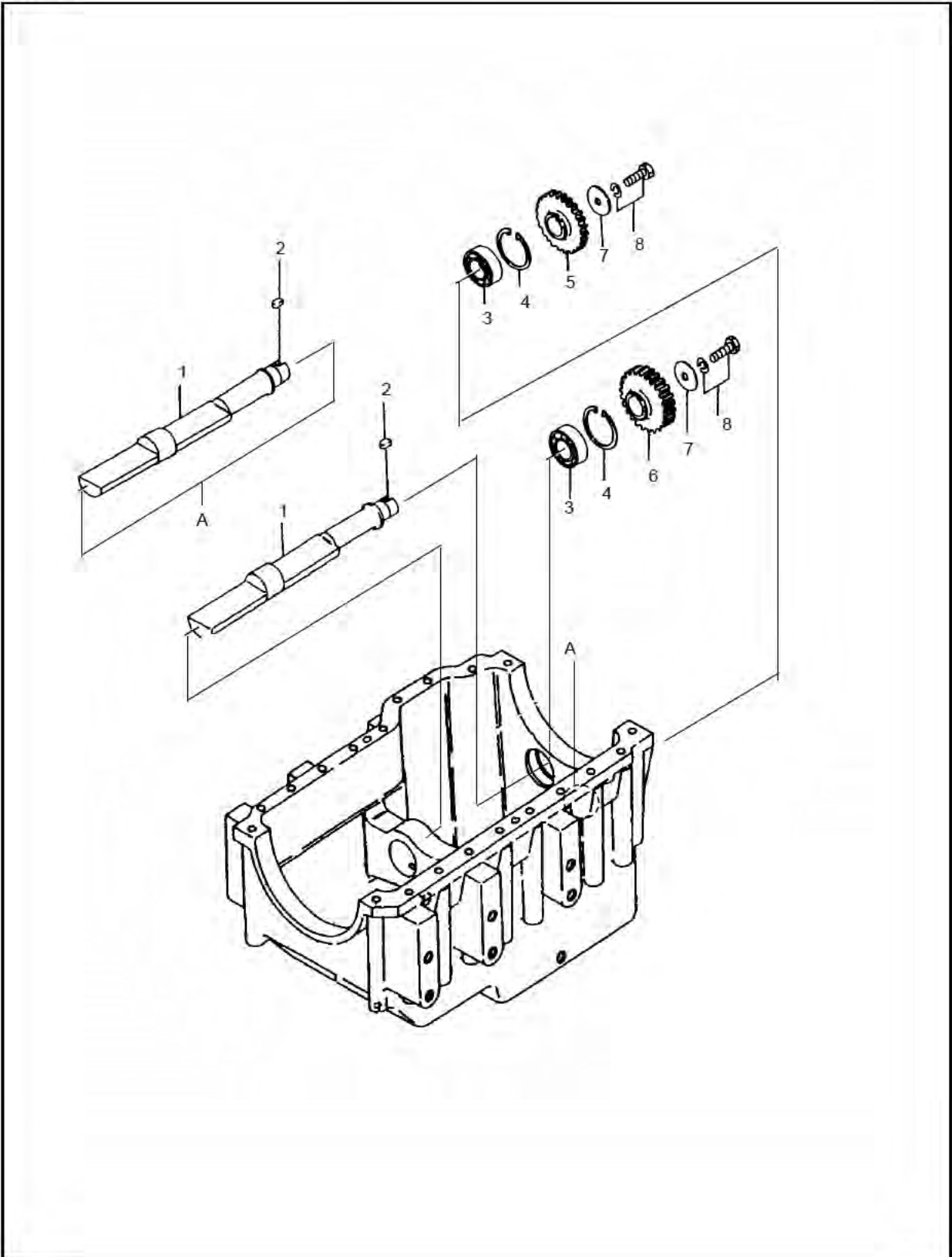
A-LT380D, B-LT450D

FIG. 17

NO.	PART NO.	PART NAME & DESCRIPTION		QTY		APP. NO	REM.
				A	B		
1	Q1200002	PISTON	STD	4	*		
	Q1200039	PISTON	STD	*	4		
2	Q1200003	PISTON, O.S 0.25	O.S 0.25	4	*		
	Q1200044	PISTON, O.S 0.25	O.S 0.26	*	4		
3	Q1200004	PISTON, O.S 0.50	O.S 0.50	4	*		
	Q1200045	PISTON, O.S 0.50	O.S 0.50	*	4		
4	Q1200031	RING SET, PISTON	STD	4	4		
401	Q1200005	RING, NO.1	STD	4	4		
402	Q1200008	RING, NO.2	STD	4	4		
403	Q1200011	RING, OIL	STD	4	4		
5	Q1200032	RING SET, PISTON	O.S 0.25	4	4		
6	Q1200033	RING SET, PISTON	O.S 0.50	4	4		
7	Q1200020	PIN, PISTON		4	4		
8	S811028005	RING, SNAP		8	8		
9	Q1200081	CONNECTING-ROD ASSY		4	*		
	Q1200082	CONNECTING-ROD ASSY		*	4		
901	Q1200026	NUT		8	8		
902	Q1200025	BOLT, CONNECTING		8	8		
903	Q1200024	BUSHING, CON-ROD		4	4		
904	*	ROD, CONNECTING		4	*		
	*	ROD, CONNECTING		*	4		
905	*	CAP, CON-ROD		4	*		
	*	CAP, CON-ROD		*	4		
10	Q1200027	METAL, CON-ROD	STD	8	8		
11	Q1200028	METAL, CON-ROD	U.S 0.25	8	8		
12	Q1200029	METAL, CON-ROD	U.S 0.50	8	8		
13	Q1200030	METAL, CON-ROD	U.S 0.75	8	8		
14	*	CRANKSHAFT ASSY		1	1		
1401	Q0610003	NUT, DOWEL		1	1		
1402	Q0620003	PIN, DOWEL		2	2		
1403	Q0630001	KEY, WOODRUFF		2	2		
1404	Q1200080	CRANKSHAFT		*	1		
	Q1200079	CRANKSHAFT		1	*		
1405	Q1300004	GEAR, CRANKSHAFT	Z=20	1	1		
1406	Q1200037	WASHER		1	1		
15	Q1200036	PLATE, BAFFLE		1	1		
16	Q1200001	PULLEY, CRANKSHAFT		1	1		
17	Q1500035	FLYWHEEL ASSY		1	1		
1701	Q1500003	GEAR, RING		1	1		
1702	Q1500034	FLYWHEEL		1	1		
18	S107126053	BOLT		4	1		
19	Q1500006	BEARING, BALL		4	1		
20	S361120013	WASHER, SPRING		1	1		
21	Q1460004	GEAR, DRIVE		1	1		
22	Q0620003	PIN, DOWEL		2	2		

BALANCER

FIG. 29



BALANCER

A-LT380D, B-C45

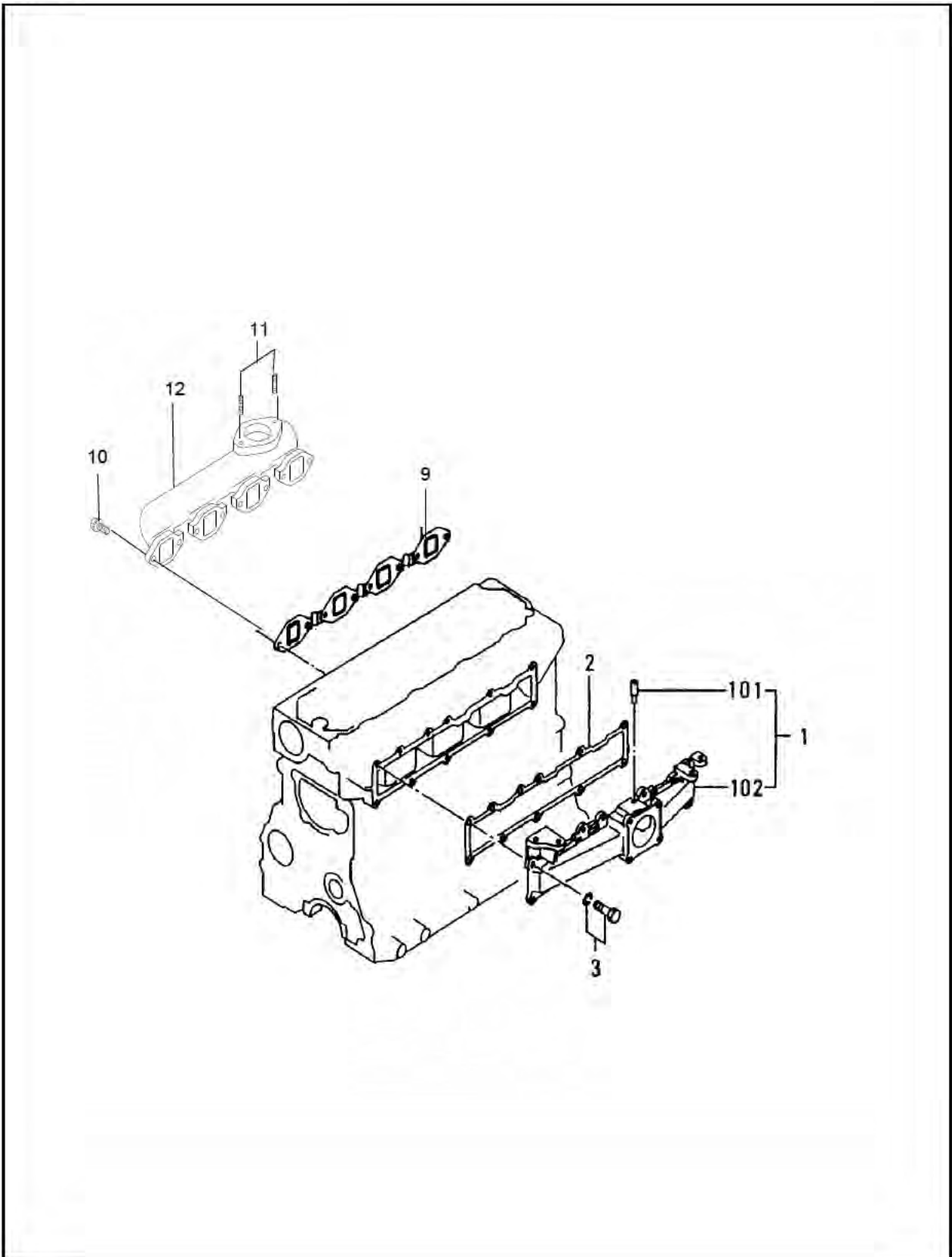
A-LT380D, B-LT450D

FIG. 29

NO.	PART NO.	PART NAME & DESCRIPTION	QTY		APP. NO	REM.
			A	B		
1	Q1460001	SHAFT, BALANCER	2	2		
2	Q0630002	KEY	2	2		
3	A0862050	BEARING, BALL	2	2		
4	S811052005	RING, SNAP	2	2		
5	Q1460003	GEAR, BALANCER (R)	Z=38	1	1	
6	Q1460002	GEAR, BALANCER (L)	Z=38	1	1	
7	Q1460006	WASHER		2	2	
8	S154102033	BOLT, W/WASHER	M10x1.25x20	2	2	

BALANCER

FIG. 29



BALANCER

A-LT380D, B-C45

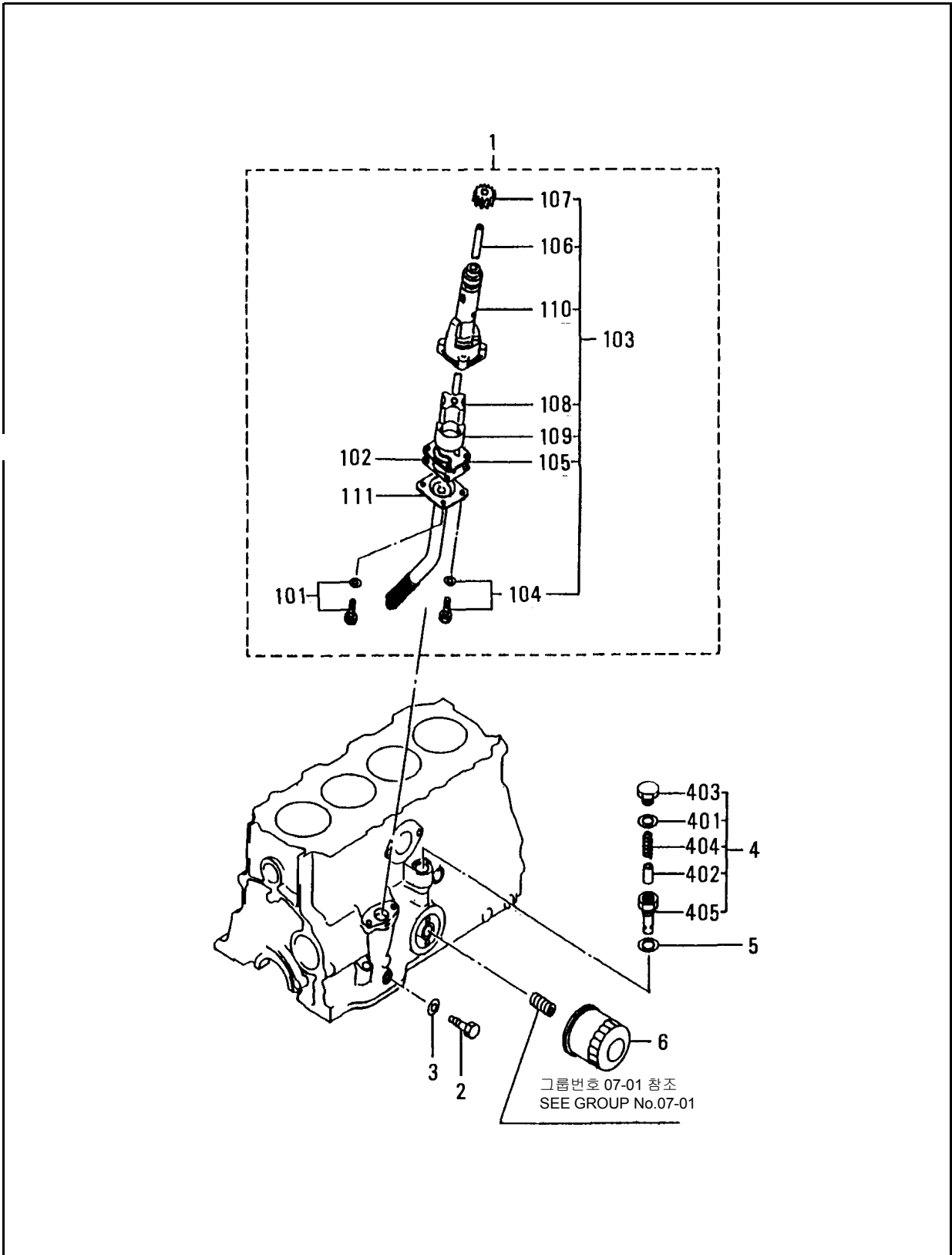
A-LT380D, B-LT450D

FIG. 29

NO.	PART NO.	PART NAME & DESCRIPTION	QTY		APP. NO	REM.
			A	B		
1	Q1600001	MANIFOLD ASSY,INLET	1	1		
101	*	PIPE	1	1		
102	*	MANIFOLD INLET	1	1		
2	Q1600006	GASKET, INLET MANIF.	1	1		
3	S153082033	BOLT, W/WASHER	11	11		
4	Q1600007	ELBOW, AIR INLET	1	1		
5	Q1600008	GASKET	1	1		
6	Q0610001	BOLT	2	2		
7	S361060013	WASHER, SPRING	2	2		
8	S153062033	BOLT, W/WASHER	2	2		
9	Q1650003	GASKET, EXHAUST	1	1		
10	S105082053	BOLT	8	8		
11	S139082523	STUD	2	2		
12	Q1650005	MANIFOLD, EXHAUST	1	1		

OIL SYSTEM

FIG. 36



OIL SYSTEM

A-LT380D, B-C45

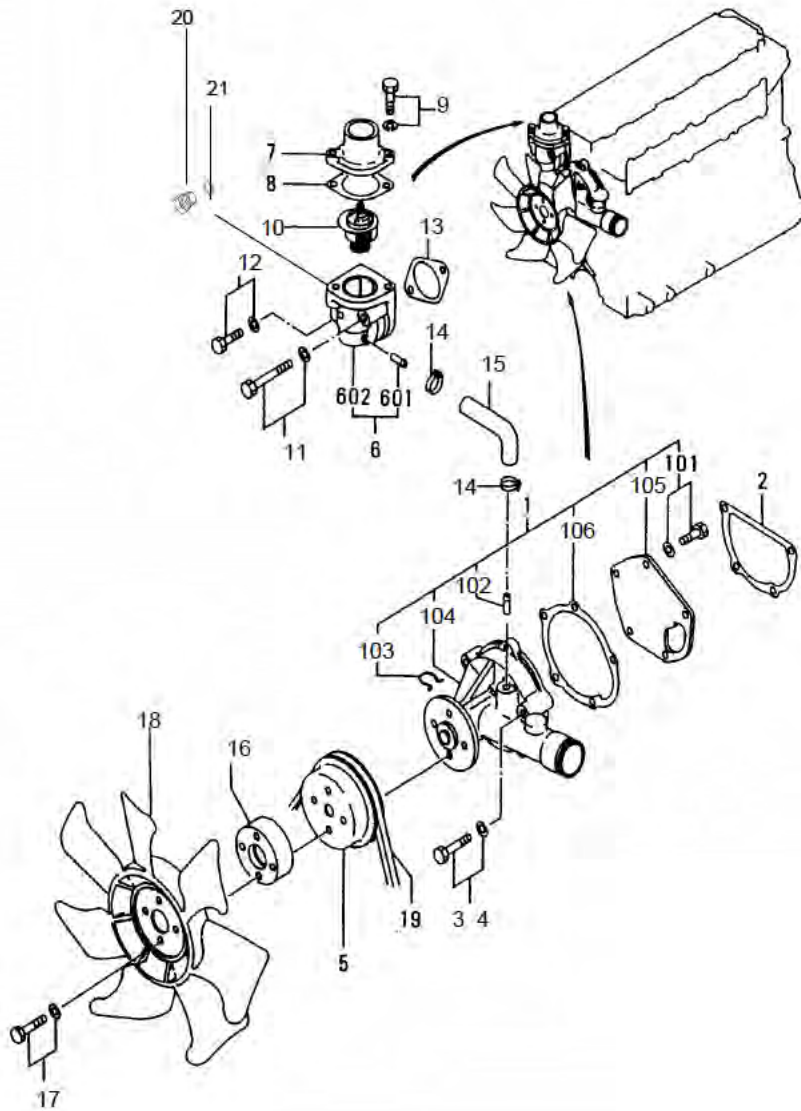
A-LT380D, B-LT450D

FIG. 36

NO.	PART NO.	PART NAME & DESCRIPTION	QTY		APP. NO	REM.
			A	B		
1	Q1400022	PUMP & STAINER ASSY	1	1		
101	S153062033	BOLT, W/WASHER	2	2		
102	Q1400003	PUMP ASSY, OIL	1	1		
103	S153062033	BOLT, W/WASHER	2	2		
104	*	GEAR, DRIVE	1	1		
105	*	COVER	1	1		
106	*	ROTOR, OUTER	1	1		
107	*	ROTER, INNER	1	1		
108	*	CASE, OIL	1	1		
109	*	SHAFT, OIL PUMP	1	1		
110	Q1400005	GASKET, STRAINER	1	1		
111	Q1400023	STRAINER, OIL	1	1		
2	Q1400006	BOLT	1	1		
3	Q1400007	GASKET	1	1		
4	Q1400008	VALVE ASSY	1	1		
401	*	GASKET	1	1		
402	*	PLUNGER	1	1		
403	*	PLUG	1	1		
404	*	SPRING	1	1		
405	*	HOUSING	1	1		
5	Q0650004	GASKET	1	1		
6	Q1400001	ELEMENT, OIL FILTER	1	1		

COOLING SYSTEM

FIG. 46



COOLING SYSTEM

A-LT380D, B-C45

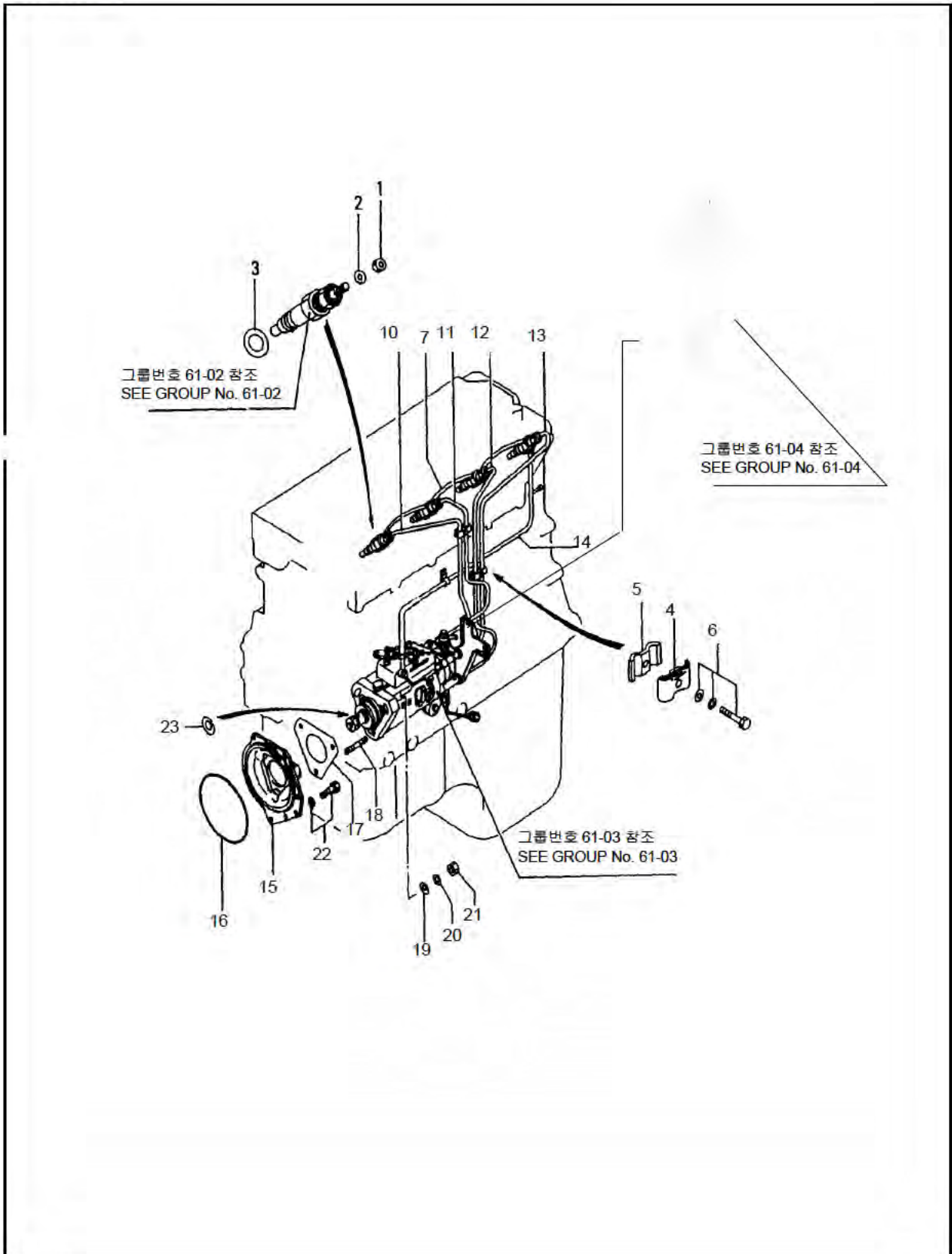
A-LT380D, B-LT450D

FIG. 46

NO.	PART NO.	PART NAME & DESCRIPTION	QTY		APP. NO	REM.
			A	B		
1	Q1350034	PUMP ASSY, WATER	1	1		
101	S153082033	BOLT, W/WASHER	1	1		
102	*	PIPE, WATER	1	1		
103	Q1350022	WIRE, CLIP	1	1		
104	*	CASE, WATER PUMP	1	1		
105	Q1350026	COVER, WATER PUMP	1	1		
106	Q1350023	GASKET, WATER PUMP	1	1		
2	Q1350007	GASKET	1	1		
3	S153084033	BOLT, W/WASHER	3	3		
4	S153086033	BOLT, W/WASHER	1	1		
5	Q1350041	PULLEY, WATER PUMP	1	1		
601	Q1350008	CASE ASSY	1	1		
602	*	CASE, THERMOSTAT	1	1		
7	Q1350009	COVER, THERMOSTAT	1	1		
8	Q1350010	GASKET, THERMOSTAT	1	1		
9	S153082533	BOLT, W/WASHER	2	2		
10	Q1350011	THERMOSTAT	1	1		
11	S153087533	BOLT, W/WASHER	1	1		
12	S153082533	BOLT, W/WASHER	1	1		
13	Q1350012	GASKET	1	1		
14	S901001813	CLAMP, HOSE	2	2		
15	Q1350013	HOSE, BY-PASS	1	1		
16	Q1350019	SPACER, FAN	1	1		
17	S153083033	BOLT, W/WASHER	4	4		
18	Q1350036	FAN, COOLING	1	1		
19	Q1350021	V-BELT, LOW EDGE	1	1		
20	A0610088	PLUG, DRAIN	1	1		
21	Q1160011	GASKET	1	1		

FUEL SYSTEM

FIG. 61-01



FUEL SYSTEM

A-LT380D, B-C45

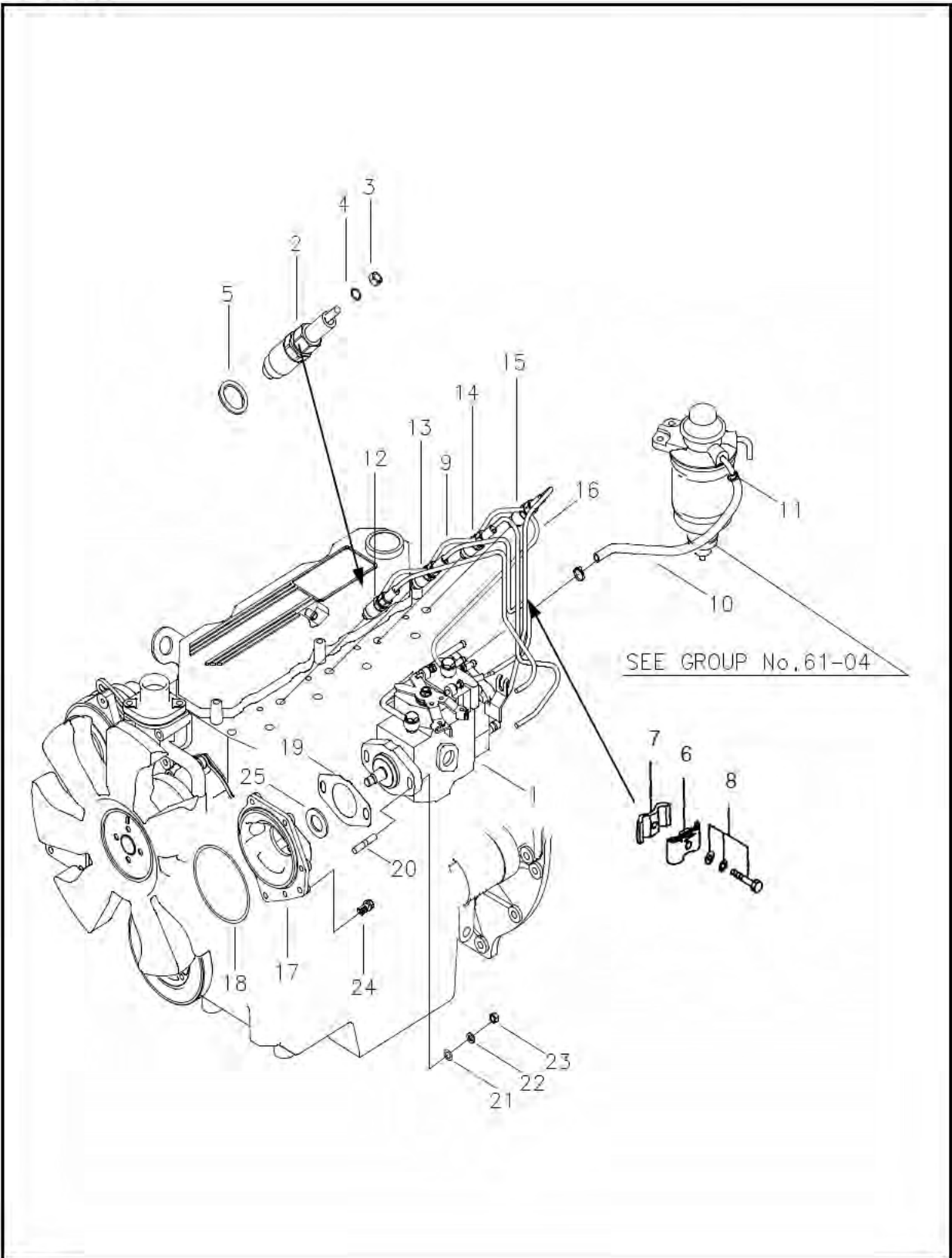
A-LT380D, B-LT450D

FIG. 61- 01

NO.	PART NO.	PART NAME & DESCRIPTION	QTY		APP. NO	REM.
			A	B		
1	Q1250006	NUT	4	4		
2	Q1250007	GASKET, FUEL LEAK-OFF	4	4		
3	Q1250008	GASKET, NOZZLE	4	4		
4	Q1250009	CLAMP	2	2		
5	Q1250010	CLAMP	2	2		
6	S155062533	BOLT, W/WASHER	2	2		
7	Q1250011	PIPE, FUEL LEAK	1	1		
8	Q1250013	HOSE, FUEL	1	1		
9	S901001213	CLAMP, HOSE	2	2		
10	Q1250019	PIPE, INJ. No.1	1	1		
11	Q1250020	PIPE, INJ. No.2	1	1		
12	Q1250021	PIPE, INJ. No.3	1	1		
13	Q1250022	PIPE, INJ. No.4	1	1		
14	Q1250115	PIPE, FUEL RETURN	1	1		
15	Q1250014	FLANGE, INJ. PUMP	1	1		
16	Q1250015	O-RING	1	1		
17	Q1250016	GASKET	1	1		
18	S139083023	STUD	3	3		
19	Q1250017	RETAINER	3	3		
20	S361080013	WASHER, SPRING	3	3		
21	S313080043	NUT	3	3		
22	S153082033	BOLT, W/WASHER	1	1		
23	S361140013	WASHER, SPRING	1	1		

COOLING SYSTEM

FIG. 61-01



COOLING SYSTEM

A-LT380D, B-C45

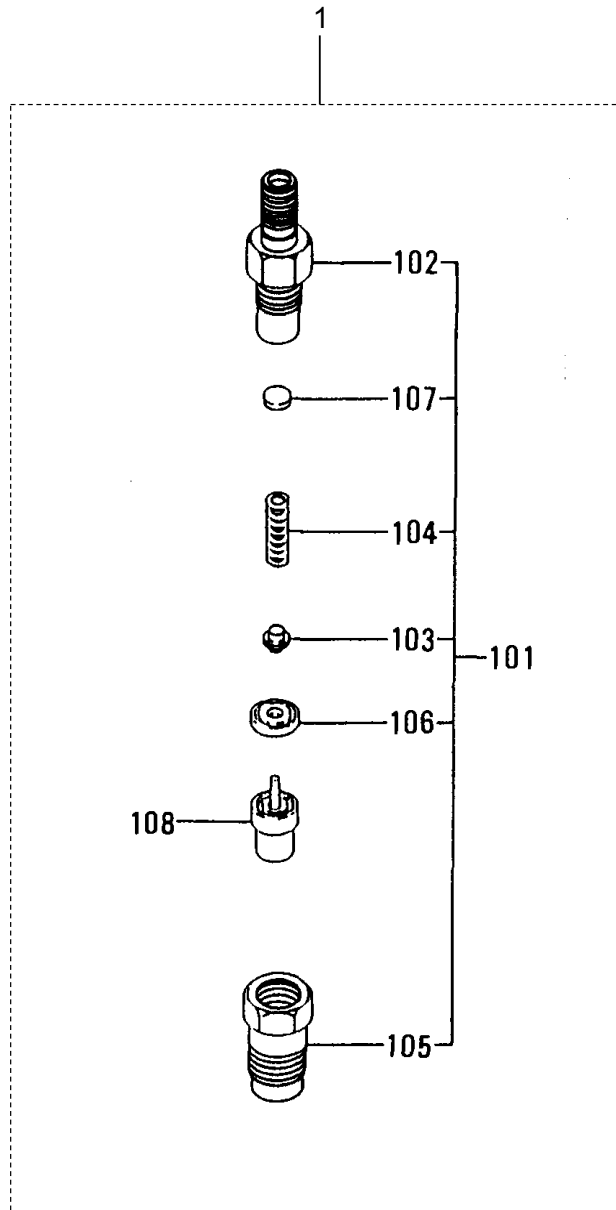
A-LT380D, B-LT450D

FIG. 61-01

NO.	PART NO.	PART NAME & DESCRIPTION	QTY		APP. NO	REM.
			A	B		
1	Q1250126	PUMP ASSY, INJ.	*	1		
	Q1250127	PUMP ASSY, INJ.	1	*		
2	Q1250005	NOZZLE ASSY	4	4		
3	Q1250006	NUT	4	4		
4	Q1250007	GASKET, FUEL LEAK-OFF	4	4		
5	Q1250008	GASKET, NOZZLE	4	4		
6	Q1250009	CLAMP	2	2		
7	Q1250010	CLAMP	2	2		
8	S155062533	BOLT, W/WASHER	2	2		
9	Q1250011	PIPE, FUEL LEAK	1	1		
10	Q1250138	HOSE, FUEL	1	1		
11	S901001213	CLAMP, HOSE	2	2		
12	Q1250131	PIPE, INJ. No.1	1	1		
13	Q1250132	PIPE, INJ. No.2	1	1		
14	Q1250133	PIPE, INJ. No.3	1	1		
15	Q1250134	PIPE, INJ. No.4	1	1		
16	Q1250130	PIPE, FUEL	1	1		
17	Q1250128	FLANGE, INJ. PUMP	1	1		
18	Q1250015	O-RING	1	1		
19	Q1250129	GASKET	1	1		
20	S139083023	STUD	2	2		
21	Q1250017	RETAINER	2	2		
22	S361080013	WASHER, SPRING	2	2		
23	S313080043	NUT	2	2		
24	S153082033	BOLT, W/WASHER	1	1		
25	S361140013	WASHER, SPRING	1	1		

NOZZLE

FIG. 61- 02



NOZZLE

A-LT380D, B-C45

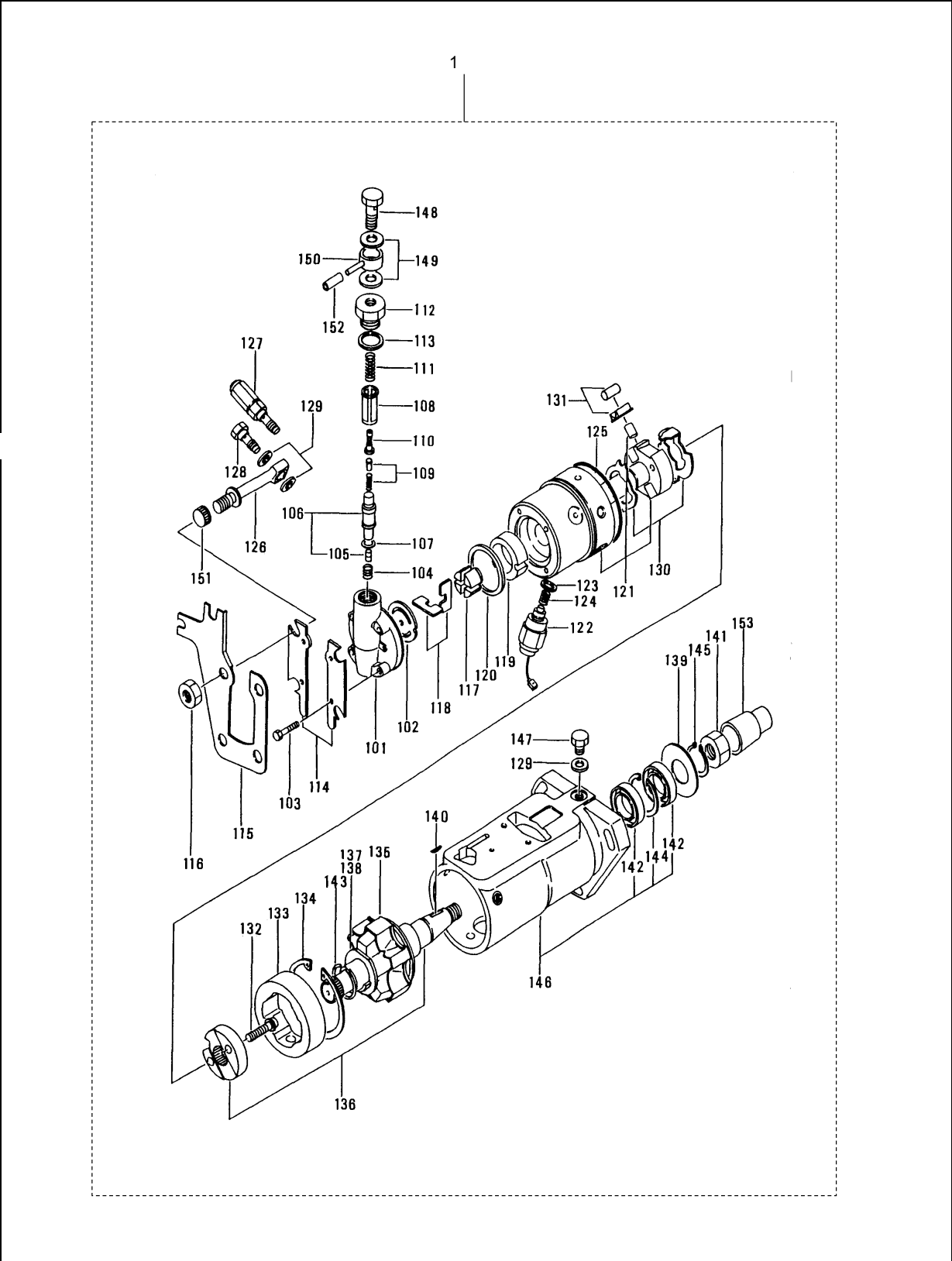
A-LT380D, B-LT450D

FIG. 61- 02

NO.	PART NO.	PART NAME & DESCRIPTION		QTY		APP. NO	REM.
				A	B		
1	Q1250005	NOZZLE ASSY		4	4		
01	Q1250044	HOLLDER		4	4		
02	*	BODY ASSY		4	4		
03	*	PIN, PRESSURE		4	4		
04	*	SPRING, PRESSURE		4	4		
05	*	NUT, RETAINING		4	4		
06	*	PIECE, DISTANCE		4	4		
07	*	WASHER	T=0.900	AR	AR		
		WASHER	T=0.925	AR	AR		
		WASHER	T=0.975	AR	AR		
		WASHER	T=0.950	AR	AR		
		WASHER	T=1.00	AR	AR		
		WASHER	T=1.025	AR	AR		
		WASHER	T=1.050	AR	AR		
		WASHER	T=1.075	AR	AR		
		WASHER	T=1.100	AR	AR		
		WASHER	T=1.125	AR	AR		
		WASHER	T=1.150	AR	AR		
		WASHER	T=1.175	AR	AR		
		WASHER	T=1.200	AR	AR		
		WASHER	T=1.225	AR	AR		
		WASHER	T=1.250	AR	AR		
		WASHER	T=1.275	AR	AR		
		WASHER	T=1.300	AR	AR		
		WASHER	T=1.325	AR	AR		
		WASHER	T=1.350	AR	AR		
		WASHER	T=1.375	AR	AR		
		WASHER	T=1.400	AR	AR		
		WASHER	T=1.425	AR	AR		
		WASHER	T=1.450	AR	AR		
		WASHER	T=1.475	AR	AR		
		WASHER	T=1.50	AR	AR		
		WASHER	T=1.525	AR	AR		
		WASHER	T=1.550	AR	AR		
		WASHER	T=1.575	AR	AR		
		WASHER	T=1.60	AR	AR		
		WASHER	T=1.625	AR	AR		
		WASHER	T=1.650	AR	AR		
		WASHER	T=1.675	AR	AR		
		WASHER	T=1.70	AR	AR		
		WASHER	T=1.725	AR	AR		
		WASHER	T=1.750	AR	AR		
		WASHER	T=1.775	AR	AR		
		WASHER	T=1.80	AR	AR		
		WASHER	T=1.825	AR	AR		

INJECTION PUMP (MODEL DPA)

FIG. 61- 03-01



INJECTION PUMP (MODEL DPA)

A-LT380D, B-C45

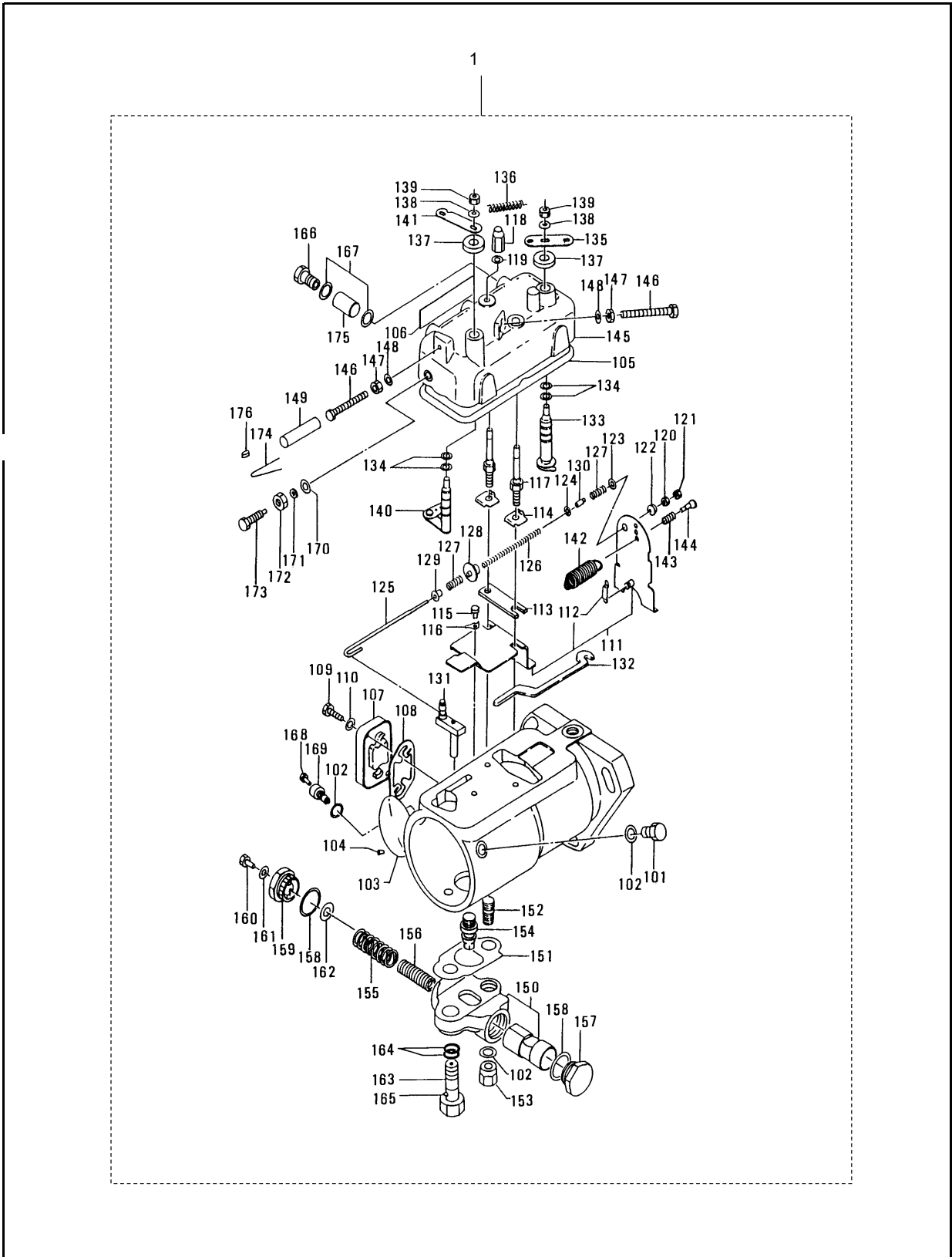
A-LT380D, B-LT450D

FIG. 61- 03-01

NO.	PART NO.	PART NAME & DESCRIPTION	QTY		APP. NO	REM.
			A	B		
1	Q1250069	PUMP ASSY, INJ.	1	*		
	Q1250037	PUMP ASSY, INJ.	*	1		
101	7184-073C	PLATE	1	1		
102	7180-147A	PLATE	1	1		
103	5334-315D	SCREW	4	4		
104	7123-439	SPRING	1	1		
105	Q1250055	PISTON	1	1		
106	Q1250048	SLEEVE & PISTON	1	1		
107	7180-453	WASHER, SLEEVE	1	1		
108	Q1250049	FILTER	1	1		
109	Q1250050	SPRING & GUIDE	1	1		
110	Q1250051	PLUG	1	1		
111	7123-551	SPRING	1	1		
112	7167-149	CONNECTOR	1	1		
113	NW5-77W4	WASHER	1	1		
114	7139-267	PLATE	2	2		
115	9080-595	PLATE	1	1		
116	7990-90	NUT	4	4		
117	7123-18	ROTPR	1	1		
118	Q1250052	BLADE	2	2		
119	Q1250053	LINER	1	1		
120	7139-43	SEAL	1	1		
121	Q1250054	HEAD & ROTOR	1	1		
122	Q1250046	SOLENOIDE	1	1		
123	9080-95	WASHER, SPRING	1	1		
124	9080-93	SPRING	1	1		
125	5855-30BC	SEAL	1	1		
126	7167-627	SHAFT	4	4		
127	*	VALVE	*	*		
128	Q1250056	VALVE	4	4		
129	Q1250057	WASHER	9	9		
130	7135-73A	PLATE KIT	1	1		
131	7135-72	ROLLER & SHOE	1	1		
132	5334-245	SCREW	2	2		
133	7139-819J	CAM	1	1		
134	5950-64A	CLIP	1	1		
135	7123-914G	WEIGHT	4	4		
136	Q1250058	SHAFT ASSY	1	1		
137	7167-89A	SLEEVE	1	1		
138	5936-124A	WASHER	1	1		
139	7139-955	WASHER	1	1		
140	NKI-22	KEY	1	1		
141	5330-439	NUT	1	1		
142	Q1250059	SEAL	2	2		
143	5921-16	RING	1	1		

INJECTION PUMP (MODEL DPA)

FIG. 61- 03-02



INJECTION PUMP (MODEL DPA)

A-LT380D, B-C45

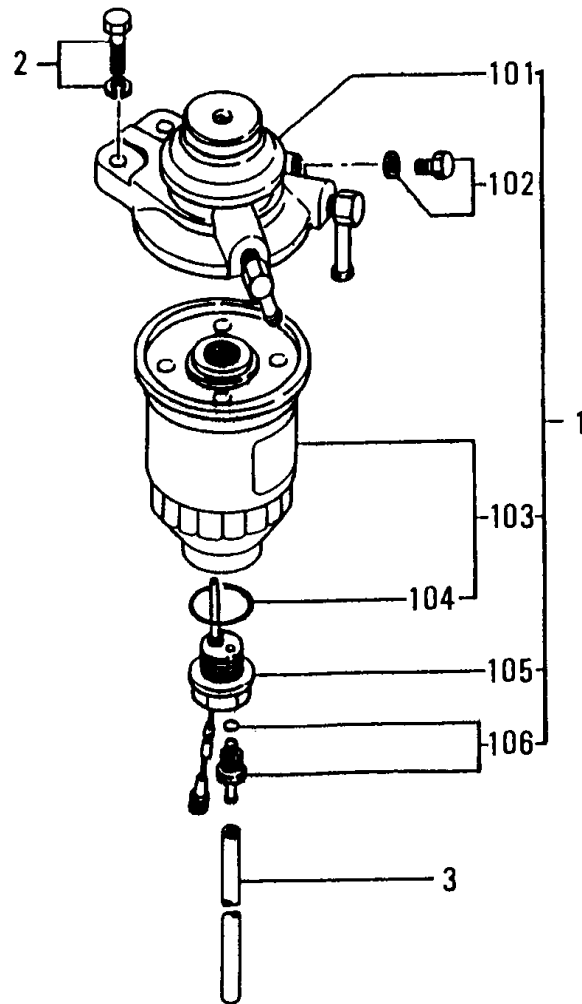
A-LT380D, B-LT450D

FIG. 61- 03-02

NO.	PART NO.	PART NAME & DESCRIPTION	QTY		APP. NO	REM.
			A	B		
1	Q1250069	PUMP ASSY, INJ.	1	*		
	Q1250069	PUMP ASSY, INJ.	*	1		
101	5334-280	PLUG, SCREW	1	1		
102	NW5-18W4	WASHER	3	3		
103	7990-63	PLATE, NAME	1	1		
104	NR21-4	RIVET	2	2		
105	7180-451	GASKET	1	1		
106	9080-650	PLATE, NAME	1	1		
107	7180-55B	COVER	1	1		
108	9045-137	GASKET	1	1		
109	5334-274	SCREW	2	2		
110	NPI-5	WASHER	2	2		
111	7135-76C	BRACKET KIT	1	1		
112	7123-89	SPRING	1	1		
113	7123-355	PLATE	1	1		
114	7123-600	WASHER	2	2		
115	5334-277	SCREW	1	1		
116	7167-331	WASHER	1	1		
117	7123-527	STUD	2	2		
118	9080-539	NUT	2	2		
119	5339-970	WASHER	2	2		
120	NU9-321	NUT	1	1		
121	5330-352	NUT	1	1		
122	7123-91	BALL	1	1		
123	5936-328	WASHER	1	1		
124	5936-313B	WASHER	1	1		
125	7123-81	HOOK	1	1		
126	7139-576	SPRING	1	1		
127	7139-566	SPRING	2	2		
128	7167-376	GUIDE	1	1		
129	7167-377	RETAINER	1	1		
130	7139-755	SPACER	1	1		
131	9080-129S	VALVE	1	1		
132	7123-304E	BAR	1	1		
133	7123-726A	SHAFT	1	1		
134	5855-30	SEAL	4	4		
135	9080-530	LEVER	1	1		
136	9080-106	SPRING	1	1		
137	9080-536	CAP	2	2		
138	9080-84	WASHER	2	2		
139	5330-406	NUT	2	2		
140	7123-770	SHAFT	1	1		
141	9080-206A	LEVER	1	1		
142	7123-898L	SPRING	1	1		
143	7123-92D	SPRING	1	1		

FUEL FILTER

FIG. 61- 04



FUEL FILTER

A-LT380D, B-C45

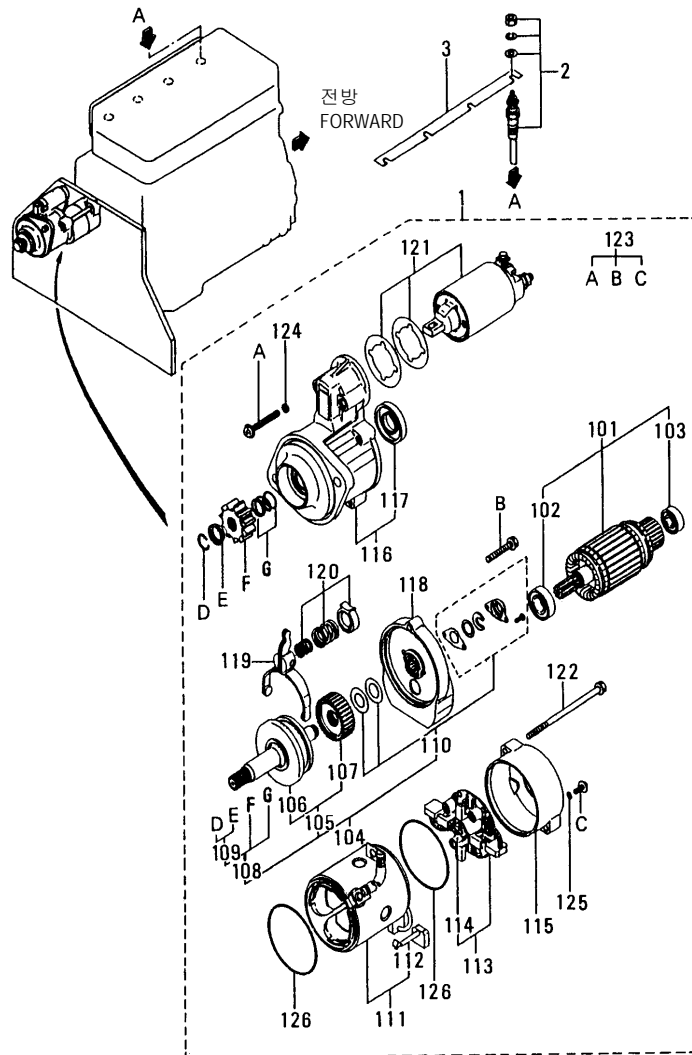
A-LT380D, B-LT450D

FIG. 61- 04

NO.	PART NO.	PART NAME & DESCRIPTION	QTY		APP. NO	REM.
			A	B		
1	Q1250001	FILTER ASSY, FUEL	1	1		
101	Q1250002	BODY ASSY	1	1		
102	*	PLUG	1	1		
103	Q1250003	CARTRIDGE	1	1		
104	*	O-RING	1	1		
105	Q1250004	SENSOR	1	1		
106	*	PLUG	1	1		
2	S153082533	BOLT, W/WASHER	2	2		
3	Q0720001	TUBE	1	1		

STARTER (12V-2.2KW)

FIG. 66



STARTER (12V-2.2KW)

A-LT380D, B-C45

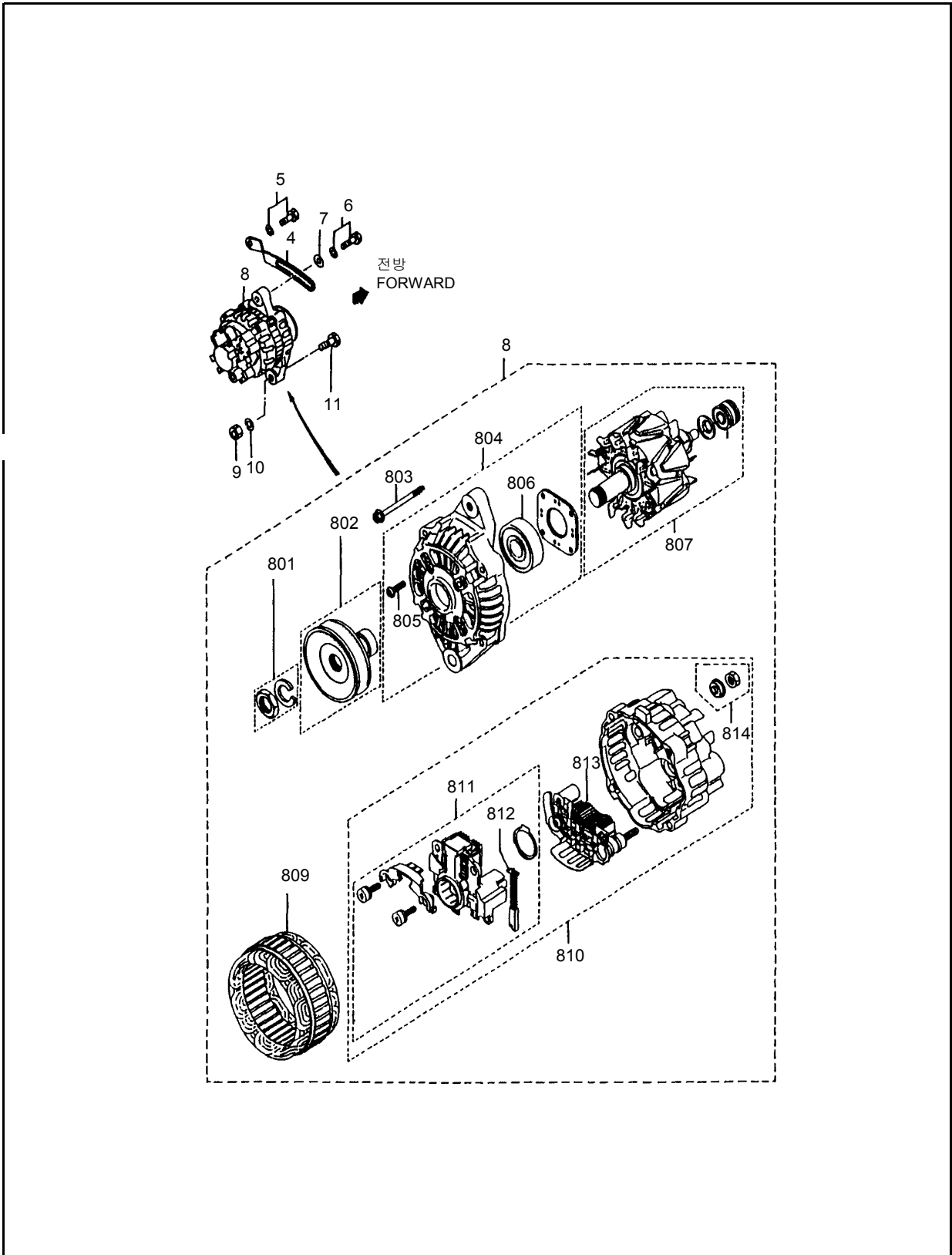
A-LT380D, B-LT450D

FIG. 66

NO.	PART NO.	PART NAME & DESCRIPTION	QTY		APP. NO	REM.
			A	B		
1	Q1700001	STARTER ASSY	1	1		
01	T200B01601	ARMATURE ASSY	1	1		
02	K500463	BEARING	1	1		
03	K400058	BEARING	1	1		
04	4EM0697	WASHER	1	1		
05	TM300C02801	SHAFT ASSY	1	1		
06	3EM0767	GEAR	1	1		
07	4EM1663	YORK ASSY	1	1		
08	TM009C02201	REAR BRACKET ASSY	1	1		
09	3EM0767	HOLDER ASSY, BRUSH	1	1		
10	4EM1663	RING, RUBBER	2	2		
11	TM190C00301	SCREW, FLANGE	2	2		
12	4EM1543	PLATE, HOLDER	1	1		
13	4EM0713	WASHER, ADJUST	1	1		
14	4EM0714	STOPPER, CENTER	1	1		
15	4EM1608	COVER, HOLDER	1	1		
16	4EM1713	SCREW, FLANGE	2	2		
17	4EM1596	PLATE, HOLDER	2	2		
18	4EM1573	SPRING A	1	1		
19	4EM1574	SPRING B	1	1		
20	4EM1760	PACKING	1	1		
21	4EM1057	SCREW, FLANGE	2	2		
22	TM400B02501	SWITCH ASSY	1	1		
23	4EM2047	THROUGH BOLT	1	1		
2	Q1800001	PLUG, GLOW	4	4		
3	Q1800002	PLATE, CONNECTION	1	1		

ALTERNATOR (12V- 45)

FIG. 68



ALTERNATOR (12V- 45)

A-LT380D, B-C45

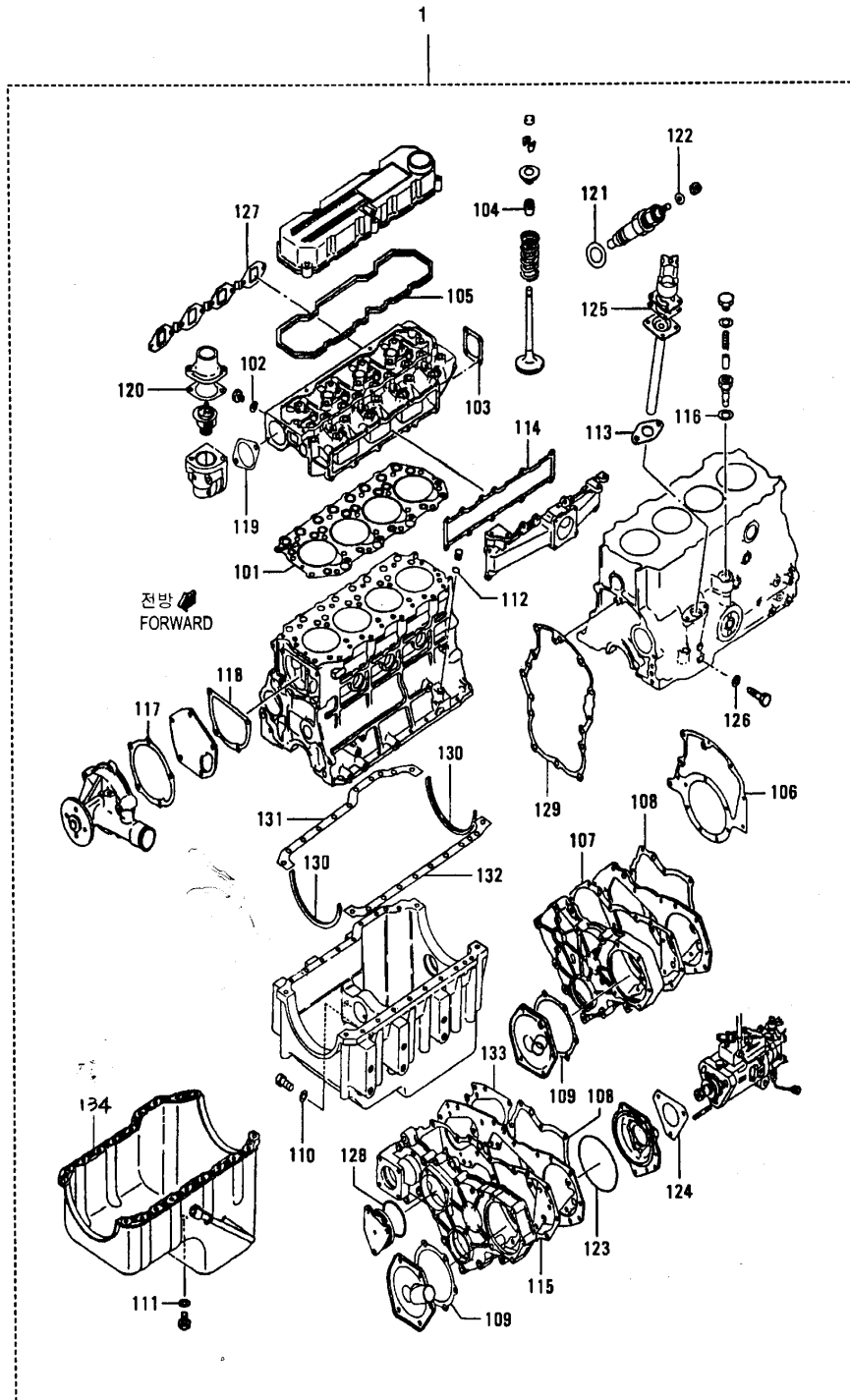
A-LT380D, B-LT450D

FIG. 68

NO.	PART NO.	PART NAME & DESCRIPTION	QTY		APP. NO	REM.
			A	B		
1	Q1750003	BRACKET, ALTERNATOR	*	*		
2	S154102033	BOLT, W/WASHER	*	*		
3	S156104033	BOLT, W/WASHER	*	*		
4	Q1750002	PLATE, ADJUST	1	1		
5	S153082033	BOLT, W/WASHER	1	1		
6	S159082033	BOLT, W/WASHER	1	1		
7	S364100033	WASHER, PLN	1	1		
8	Q1750001	ALTERNATOR	1	1		
101	A902C0107	HEX NUT	1	1		
102	A903C0101	WASHER, SPRING	1	1		
103	TA01603301	PULLEY	1	1		
104	A091C0311	SPACER	1	1		
105	A094C0301	THROUGH BOLT	4	4		
106	TA300B04401	F/R BRACKET ASSY	1	1		
107	A905C0103	FLANGE SCREW	4	4		
108	K500811	BERAING F/R	1	1		
109	TA00C02701	ROTOR ASSY	1	1		
110	K402968	BEARING F/R	1	1		
111	TA100C02201	STARTOR	1	1		
112	TA400B06501	R/R BRACKET ASSY	1	1		
113	TA600C02501	RECTIFILER ASSY	1	1		
114	A500C0061	REGULATOR ASSY	1	1		
115	A934C0107	BUSH SPRIING	2	2		
116	A933C0602	BRUSH	2	2		
117	4EA1129	FLANGE NUT	1	1		
118	A909C0201	MOLD	1	1		
9	S314100043	NUT	1	1		
10	S361100013	WASHER, SPRING	1	1		
11	S103106543	BOLT	1	1		

OVERHAUL GASKET KIT

FIG. 94



OVERHAUL GASKET KIT

A-LT380D, B-C45

A-LT380D, B-LT450D

FIG. 94

NO.	PART NO.	PART NAME & DESCRIPTION	QTY			APP. NO	REM.
			A	B			
1	Q0650009	GSAKET KIT	1	1			
	Q0650010	GASKET KIT	*	*			
01	Q1160013	GASKET, CYL. HEAD	1	1			
02	Q1160011	GASKET	1	1			
03	Q1160016	GASKET	1	1			
04	Q1210015	SEAL, VALVE STEM	8	8			
05	Q1150004	GSAKET, ROCKER	1	1			
06	Q1550005	GASKET	*	*			
07	Q1300030	GASKET, GEAR	*	*			
08	Q1300014	GASKET	1	1			
09	Q1300021	GASKET, REAR	1	1			
10	Q0650003	GASKET, OIL PAN	2	2			
11	Q0650006	GASKET	*	*			
12	Q0650005	O-RING, LEVEL GAGUE	1	1			
13	Q1100043	GASKET	1	1			
14	Q1600006	GASKET, IN. MANIFOLD	1	1			
15	Q1300015	GASKET	1	1			
16	Q0650004	GASKET	1	1			
17	Q1350023	GASKET, WATER	1	1			
18	Q1350007	GASKET, WATER	1	1			
19	Q1350012	GASKET	1	1			
20	Q1350010	GASKET	1	1			
21	Q1250008	GASKET, NOZZLE	1	1			
22	Q1250007	GASKET	2	2			
23	Q1250015	GASKET	2	2			
24	Q1250016	GASKET, INJ. PUNP	1	1			
25	Q1400005	GASKET	1	1			
26	Q1400007	GASKET	1	1			
27	Q1650003	GASKET	1	1			
28	S80207512	O-RING	1	1			
29	Q1550023	GASKET	1	1			
30	Q1450031	U-SEAL	2	2			
31	Q1450038	GASKET, OIL PAN A	1	1			
32	Q1450039	GASKET, OIL PAN B	1	1			
33	Q1300025	GASKET	*	*			
34	Q1450014	GASKET	*	*			