

Parts Catalogue

Model : T7074



제 작 일	
작 성	김 순 이 (인)
검 토	최 준 흥 (인)
승 인	(인)

TMM 백산그룹 **동양물산기계사업부**

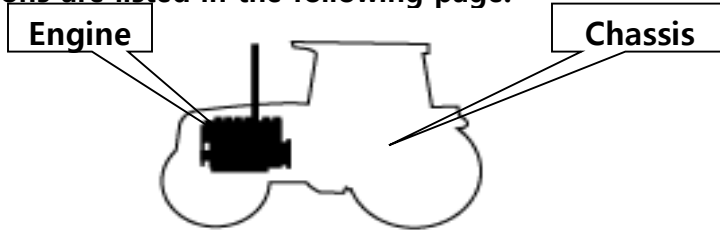
Important tips of Parts Catalogue

We thank you for your purchasing our product, manufactured under strict quality control, by gathering plenty of experiences and new technology, designed for a comfort and pleasant work.

1. Part Composition

This catalogue deals with engine and chassis.

Detailed classifications are listed in the following page.



2. For locating parts easily, Please Note:

A. If you know the assembly where the part is used.

- Refer to the relevant figure from the identifying group symbol illustration,
- Locate the relevant chapter
- Refer to the particular chapter desired.

3. For ordering parts

To obtain spare parts please contact your nearest dealer and give him the details listed below.

- ① Tractor Model : Tractor T7074
 - ② Tractor Serial Number : W050000
 - ③ Part Number : 17681032000
 - ④ Description : Air cleaner assembly
 - ⑤ Quantity required: 1
- Serial Number



4. For ordering PARTS CATALOGUE

This is Priced item and one is to order the same on part No. 1767 950 001 0

This supersedes all our editions.

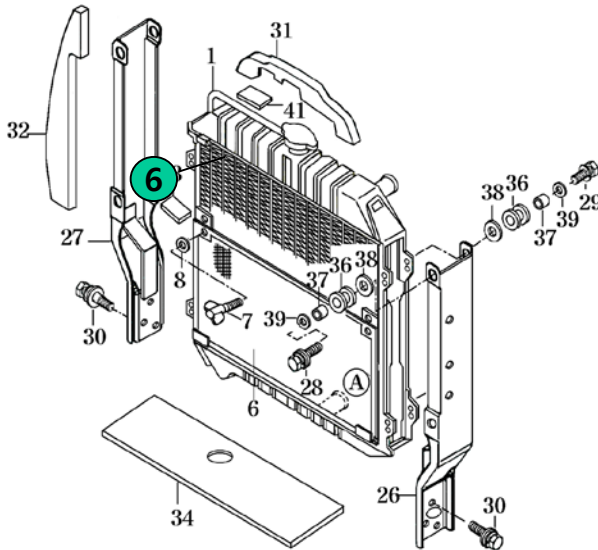
Note) When replacing parts, please use original spare parts to be sure of the performance and the longer life of the product

※ The information in this catalogue may at any time be modified without a prior notice for the

improvement of performance. please consult our spare parts dept. for the detailed inquiry.

5. How to use parts catalogue

FIG 201 2	RADIATOR 3	P1 4	Month/Year 5 08 / 03	 1
---	--	---	--	---



NOTE	13
------	--

FIG 201 2	RADIATOR 3	P1 4	Month / Year 5 07 / 03	 1
---	--	---	--	---

KEY NO	PART NO	PART NAME	SPEC	QTY	REPAIR	E/G SERIAL NO	REMARKS
023 001	14571042001	RADIATOR SET		1			
023 002	14571042101	RADIATOR SET		1			
023 003	14571042171	SHROUD		1			
023 006	14571042301HB	NET COMP		1			
6	7	BOLT, WING 8	M6X12 9	10	11	12	14

NOTE	13
------	--

- ① **Group Indication** : Indicate the relevant location of the part with a symbol illustration.
- ② **Figure Number**: Indicate the relevant section of the machine with a figure number.
- ③ **Section Name** : Indicate the section name of the machine
- ④ **Section Page** : Page number of the section in this catalogue.
- ⑤ **Date** : Show the Month/Year of the section made or updated

⑥ **Key number** : Indicating number of each parts in the illustration.

⑦ **Part Number** : Unique part number maintained in our system

The part number starting with V or M means it is TYM's standard part

The alphabet at the end of part number means the status of material or the color of paint

Legend : M:Machining, DG:Black, BR:Bright Red, SW:Summer White ,

MS:Metallic Silver DD:Heat proof Black, PB:Pure Black TY: Tangerine Yellow

etc.

⑧ **Description** : Description of a part, Abbreviation means as follows.

- Indicate the mixture condition of a part

ASSY : Assembly with a mixture of several parts, so can be broke up retaining

their

original form

COMP : Assembly with a mixture of several parts, but can not be broke up

retaining

their original form

SUB : mean the same as ASSY but used in lower level in aid.

SET : Part consist of ASSY, COMP, and part(s) as a group

- Indicate the location of a part

LH : Left, RH : Right, FR: Front, RR: Rear, UPR: Upper, LOW: Lower

⑨ **Type** : Type of the standard items like bolt or nut

⑩ **Quantity** : Total quantity of the part referred to in the page.

Symbol below indicate options. So, show the quantity of each option.

Note) AR means as requested quantity.

⑪ **Repair Parts consumption frequency class**: indicate the level of a part in aid of stocking spares, anticipating the service requirements.

A :Fast moving part(frequently required)

B :Medium moving part (sometimes required)

C :Slow moving part(rarely required)

⑫ **Modification** :

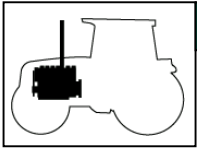
Year / Month~ : From which the change starts

~ Year / Month : To which the part installed

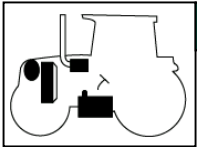
⑬ **Notes** : explain some reference data

⑭ **Remark** : indicate reference data or abbreviation in the content.

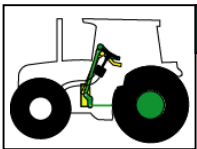
ENGINEERING GROUP INDEX



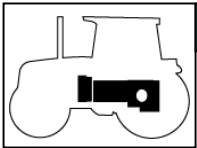
1 ENGINE



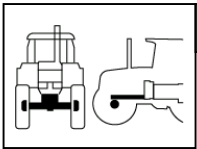
2 ENGINE ACCESSORIES & CONTROL



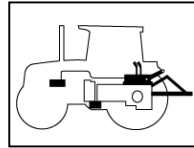
3 CLUTCH, BRAKE, STEERING



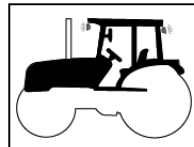
4 TRANSMISSION & REAR AXLE



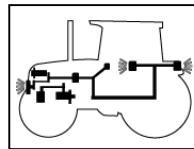
5 FRONT AXLE, SUPPORTER & DRIVE SHAFT



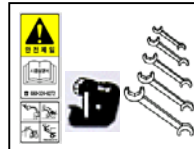
6 HYDRAULICS & 3-POINT LINK



7 SHEET METAL & CABIN



8 ELECTRICALS & HARNESS



9 WEIGHT, LABEL, TOOLS

067 020	12305180020
077 036	12403160020
036 005	13022250030
037 010	13022250131
041 005	13022250232
046 002	13022250333

10 NUMERICAL INDEX

CONTENTS

ENGINE

1 ENGINE

FIG 101 BREATHER-----	04
FIG 102 VALVE COVER-----	06
FIG 103 ROCKET ARM/SHAFT/TAPPET/PUSH ROD-----	08
FIG 104 CYLINDER HEAD-----	10
FIG 105 VALVE/VALVE SEAT/SPRING/ROTATOR-----	12
FIG 106 WATER TEMPERATURE SENSOR-----	14
FIG 107 CYLINDER BOLCK KIT-----	16
FIG 108 BEARINGS/CRANKSHAFT-----	18
FIG 109 BEARINGS,THRUST BEARING-----	20
FIG 110 CONNECTING ROD/BEARINGS-----	22
FIG 111 OIL DIPSTICK/GUIDE-----	24
FIG 112 OIL PUMP/SPUR GEAR DRIVE-----	26
FIG 113 OIL PUMP KIT-----	28
FIG 114 OIL PAN-----	30
FIG 115 CRANKSHAFT PULLEY-----	32
FIG 116 OIL FILLER NECK-----	34
FIG 117 TIMING GEAR COVER/SPUR TIMING GEARS-----	36
FIG 118 HARDWARE FOR RIGHT HAND SIDE POWER-TAKEOFF-----	38
FIG 119 FRONT PLATE&LOWER IDLE GEAR-----	40
FIG 120 FLYWHEEL-----	42
FIG 121 FLYWHEEL HOUSING-----	44
FIG 122 OIL PRESSURE SWITCH-----	46
FIG 123 THERMOSTAT/COVER/BY PASS TUBE TO WATER PUMP-----	48
FIG 124 WATER PUMP-----	50
FIG 125 OIL COOLER/ADAPTER/OIL FILTER-----	52
FIG 127 ENGINE GASKET KIT-----	54
FIG 128 SHORT BLOCK ASSEMBLY-----	56
FIG 129 INTAKE MANIFOLD-----	58
FIG 130 COLD WEATHER STARTING AID,GLOW PLUG-----	60

FIG 131 EXHAUST MANIFOLD-----	62
FIG 132 NO FUEL PUMP,CLOSING PLATE-----	64
FIG 133 FUEL FILTER -----	66
FIG 134 FUEL FILTER (HAND PRIMER)-----	68
FIG 135 FINAL FUEL FILTER-----	70
FIG 136 FUEL INJECTION PUMP-----	72
FIG 137 FUEL INJECTION PUMP LINKAGE-----	74
FIG 139 INJECTION NOZZLE-----	76
FIG 140 COLD ADVANCE SYSTEM,KIT-----	78
FIG 141 WIRING HARNESS & SENSOR-----	80
FIG 142 TURBOCHARGER-----	82
FIG 143 ALTERNATOR ADJUSTING STRAP & BRACKETS-----	84
FIG 144 START MOTOR-----	86
FIG 145 ALTERNATOR-----	88

CHASSIS

2 ENGINE ACCESSORIES & CONTROL

FIG 201 AIR CLEANER-----	94
FIG 202 RADIATOR-----	96
FIG 203 MUFFLER & EXHAUST PIPE-----	98
FIG 204 MUFFLER & EXHAUST PIPE-----	100
FIG 205 FUEL TANK-----	102
FIG 206 ACCELERATOR-----	104

3 CLUTCH, BRAKE, STEERING

FIG 301 CLUTCH-----	110
FIG 302 CLUTCH PEDAL-----	112
FIG 303 BRAKE-----	114
FIG 304 BRAKE PEDAL & LINKAGE-----	116
FIG 307 POWER STEERING WHEEL-----	118
FIG 308 POWER STEERING VALVE-----	120
FIG 309 POWER STEERING CYLINDER-----	122
FIG 310 HAND BRAKE-----	124

4 TRANSMISSION & REAR AXLE

FIG 401 TRANSMISSION FRONT CASE-----	130
FIG 402 INPUT & COUNTER GEARS-----	132
FIG 403 MAIN CHANGE GEARS-----	134
FIG 404 REVERSE GEARS-----	136
FIG 405 P.T.O DRIVE SHAFT-----	138
FIG 406 MAIN CHANGE LEVER-----	140
FIG 407 REVERSE CHANGE LEVER-----	142
FIG 408 TRANSMISSION MID CASE-----	144
FIG 409 TRANSMISSION REAR CASE-----	146

FIG 410 SUB CHANGE GEARS-----	148
FIG 411 SUB CHANGE LEVER-----	150
FIG 413 4WD DRIVE GEARS-----	152
FIG 414 4WD CHANGE LEVER-----	154
FIG 415 P.T.O CHANGE GEARS-----	156
FIG 416 P.T.O CHANGE LINKAGE-----	158
FIG 417 P.T.O CHANGE LEVER-----	160
FIG 418 REAR DIFFERENTIAL GEARS-----	162
FIG 419 REAR AXLE & HOUSINGS-----	164

5 FRONT AXLE,SUPPORTER & DRIVE SHAFT

FIG 501 FRONT AXLE SUPPORT-----	170
FIG 502 FRONT DRIVE SHAFT-----	172
FIG 503 FRONT AXLE HOUSING-----	174
FIG 504 FRONT DIFFERENTIAL GEARS-----	176
FIG 505 FRONT GEAR CASE (1)-----	178
FIG 506 FRONT GEAR CASE (2)-----	180
FIG 507 FRONT GEAR CASE (3)-----	182

6 HYDRAULICS & 3-POINT LINK

FIG 601 CYLINDER CASE-----	188
FIG 602 LIFT ARM-----	190
FIG 603 CYLINDER-----	192
FIG 605 CONTROL VALVE-----	194
FIG 606 DRAFT LINK-----	196
FIG 607 HYDRAULIC PIPE & PUMP-----	198
FIG 608 EXTERIOR HYD.VALVE & BACK UP SYSTEM-----	200
FIG 609 HYDRAULIC HOSE-----	202
FIG 610 JOYSTICK-----	204
FIG 611 P.T.O VALVE & RELIEF VALVE-----	206
FIG 612 HITCH & 3-POINT LINK-----	208
FIG 613 LOWER LINK & LIFT ROD-----	212

7 SHEET METAL & ROPS

FIG 701 BONNET (1)-----	218
FIG 702 BONNET (2)-----	220
FIG 703 SIDE COVER-----	222
FIG 704 LEVER COVER-----	224
FIG 705 FRONT & REAR MOUNTING-----	226
FIG 706 FLOOR & SEAT-----	228
FIG 707 FRAME & REAR GLASS-----	230
FIG 708 SIDE GLASS-----	232
FIG 709 DOOR-----	234
FIG 710 FRONT GLASS-----	236
FIG 711 SUB FENDER & COVER-----	238
FIG 712 CONTROL COVER-----	240
FIG 713 ROOF-----	242
FIG 714 INTERIOR PART-----	244
FIG 715 HEATER & AIR-CON-----	246

8 ELECTRICALS & HARNESS

FIG 801 BATTERY & MOUNTING-----	252
FIG 802 LIGHT-----	254
FIG 803 INSTRUMENT PANEL-----	256
FIG 804 ELECTRIC SYSTEM (1)-----	258
FIG 805 ELECTRIC SYSTEM (2)-----	260
FIG 806 HARNESS(1)-----	262

9 WEIGHT, LABEL , TOOLS

FIG 901 TOOL & ACCESSORY-----	268
FIG 902 LABEL-----	270
FIG 904 LEVEL CONTROL CYLINDER-----	274

10

NUMERICAL INDEX

ENGINE-----279

CHASSIS-----281

ENGINE

1 ENGINE

FIG 101 BREATHER-----	04
FIG 102 VALVE COVER-----	06
FIG 103 ROCKET ARM/SHAFT/TAPPET/PUSH ROD-----	08
FIG 104 CYLINDER HEAD-----	10
FIG 105 VALVE/VALVE SEAT/SPRING/ROTATOR-----	12
FIG 106 WATER TEMPERATURE SENSOR-----	14
FIG 107 CYLINDER BOLCK KIT-----	16
FIG 108 BEARINGS/CRANKSHAFT-----	18
FIG 109 BEARINGS,THRUST BEARING-----	20
FIG 110 CONNECTING ROD/BEARINGS-----	22
FIG 111 OIL DIPSTICK/GUIDE-----	24
FIG 112 OIL PUMP/SPUR GEAR DRIVE-----	26
FIG 113 OIL PUMP KIT-----	28
FIG 114 OIL PAN-----	30
FIG 115 CRANKSHAFT PULLEY-----	32
FIG 116 OIL FILLER NECK-----	34
FIG 117 TIMING GEAR COVER/SPUR TIMING GEARS-----	36
FIG 118 HARDWARE FOR RIGHT HAND SIDE POWER-TAKEOFF-----	38
FIG 119 FRONT PLATE&LOWER IDLE GEAR-----	40
FIG 120 FLYWHEEL-----	42
FIG 121 FLYWHEEL HOUSING-----	44
FIG 122 OIL PRESSURE SWITCH-----	46
FIG 123 THERMOSTAT/COVER/BY PASS TUBE TO WATER PUMP-----	48
FIG 124 WATER PUMP-----	50
FIG 125 OIL COOLER/ADAPTER/OIL FILTER-----	52
FIG 127 ENGINE GASKET KIT-----	54
FIG 128 SHORT BLOCK ASSEMBLY-----	56
FIG 129 INTAKE MANIFOLD-----	58
FIG 130 COLD WEATHER STARTING AID,GLOW PLUG-----	60

FIG 131 EXHAUST MANIFOLD-----	62
FIG 132 NO FUEL PUMP,CLOSING PLATE-----	64
FIG 133 FUEL FILTER -----	66
FIG 134 FUEL FILTER (HAND PRIMER)-----	68
FIG 135 FINAL FUEL FILTER-----	70
FIG 136 FUEL INJECTION PUMP-----	72
FIG 137 FUEL INJECTION PUMP LINKAGE-----	74
FIG 139 INJECTION NOZZLE-----	76
FIG 140 COLD ADVANCE SYSTEM,KIT-----	78
FIG 141 WIRING HARNESS & SENSOR-----	80
FIG 142 TURBOCHARGER-----	82
FIG 143 ALTERNATOR ADJUSTING STRAP & BRACKETS-----	84
FIG 144 START MOTOR-----	86
FIG 145 ALTERNATOR-----	88

ENGINE GROUPING INFORMATION

ENGINE IN THIS CATALOG ARE MANUFACTURED IN SARAN FACTORY

THESE ENGINES COULD BE NATURALLY-ASPIRATED DIESEL OR TURBOCHARGED DIESEL.

TO ASSIST YOUR JOHN DEERE PARTS DEPOT IN GIVING YOU PROMPT AND EFFICIENT SERVICE, REFER TO THE ENGINE SERIAL NUMBER PLATE FOR PROPER ENGINE TYPE IDENTIFICATION.

ENGINE SERIAL NUMBER PLATE



CDP45135

- | | |
|--------------------------------------|---|
| 1. DESIGNATES ENGINE MANUFACTURER | CD - SARAN |
| 2. DESIGNATES NUMBER OF CYLINDERS | 3 |
| 3. DESIGNATES TOTAL DISPLACEMENT | 029 (2.9 LITER) (BORE 106.5MM X STROKE 110MM) |
| 4. DESIGNATES THE TYPE OF ASPIRATION | D – NATURALLY-ASPIRATED DIESEL
T – TURBOCHARGED DIESEL |
| 5. DESIGNATES ENGINE SERIAL NUMBER | 123456 (SIX DIGITS) |
| 6. DESIGNATES ENGINE USER | F (OEM, LOOSE ENGINE) |
| 7. DESIGNATES ENGINE VERSION | 164 (THREE DIGITS)
180 (THREE DIGITS) |

APPLICATION CHART (ENGINE TYPE/TRACTOR MODEL)

ENGINE TYPE	TRACTOR MODEL	PART NO.
CD3029DF164	T552	16991016001
CD3029DF180	T502	17981016000
CD3029TF180	T680,T700 (AUZ)	17401016000
CD3029TF270	T700/(USD/USM/EU) , T7074	17681016000

CHASSIS

2 ENGINE ACCESSORIES & CONTROL

FIG 201 AIR CLEANER-----	94
FIG 202 RADIATOR-----	96
FIG 203 MUFFLER & EXHAUST PIPE-----	98
FIG 204 MUFFLER & EXHAUST PIPE-----	100
FIG 205 FUEL TANK-----	102
FIG 206 ACCELERATOR-----	104

3**CLUTCH,BRAKE,STEERING**

FIG 301 CLUTCH-----	110
FIG 302 CLUTCH PEDAL-----	112
FIG 303 BRAKE-----	114
FIG 304 BRAKE PEDAL & LINKAGE-----	116
FIG 307 POWER STEERING WHEEL-----	118
FIG 308 POWER STEERING VALVE-----	120
FIG 309 POWER STEERING CYLINDER-----	122
FIG 310 HAND BRAKE-----	124

4**TRANSMISSION & REAR
AXLE**

FIG 401 TRANSMISSION FRONT CASE-----	130
FIG 402 INPUT & COUNTER GEARS-----	132
FIG 403 MAIN CHANGE GEARS-----	134
FIG 404 REVERSE GEARS-----	136
FIG 405 P.T.O DRIVE SHAFT-----	138
FIG 406 MAIN CHANGE LEVER-----	140
FIG 407 REVERSE CHANGE LEVER-----	142
FIG 408 TRANSMISSION MID CASE-----	144
FIG 409 TRANSMISSION REAR CASE-----	146
FIG 410 SUB CHANGE GEARS-----	148
FIG 411 SUB CHANGE LEVER-----	150
FIG 413 4WD DRIVE GEARS-----	152
FIG 414 4WD CHANGE LEVER-----	154
FIG 415 P.T.O CHANGE GEARS-----	156
FIG 416 P.T.O CHANGE LINKAGE-----	158
FIG 417 P.T.O CHANGE LEVER-----	160
FIG 418 REAR DIFFERENTIAL GEARS-----	162
FIG 419 REAR AXLE & HOUSINGS-----	164

5**FRONT AXLE,SUPPORTER & DRIVE SHAFT**

FIG 501 FRONT AXLE SUPPORT-----	170
FIG 502 FRONT DRIVE SHAFT-----	172
FIG 503 FRONT AXLE HOUSING-----	174
FIG 504 FRONT DIFFERENTIAL GEARS-----	176
FIG 505 FRONT GEAR CASE (1)-----	178
FIG 506 FRONT GEAR CASE (2)-----	180
FIG 507 FRONT GEAR CASE (3)-----	182

6**HYDRAULICS & 3-POINT LINK**

FIG 601 CYLINDER CASE-----	188
FIG 602 LIFT ARM-----	190
FIG 603 CYLINDER-----	192
FIG 605 CONTROL VALVE-----	194
FIG 606 DRAFT LINK-----	196
FIG 607 HYDRAULIC PIPE & PUMP-----	198
FIG 608 EXTERIOR HYD.VALVE & BACK UP SYSTEM-----	200
FIG 609 HYDRAULIC HOSE-----	202
FIG 610 JOYSTICK-----	204
FIG 611 P.T.O VALVE & RELIEF VALVE-----	206
FIG 612 HITCH & 3-POINT LINK-----	208
FIG 613 LOWER LINK & LIFT ROD-----	212

7 SHEET METAL & ROPS

FIG 701 BONNET (1)-----	218
FIG 702 BONNET (2)-----	220
FIG 703 SIDE COVER-----	222
FIG 704 LEVER COVER-----	224
FIG 705 FRONT & REAR MOUNTING-----	226
FIG 706 FLOOR & SEAT-----	228
FIG 707 FRAME & REAR GLASS-----	230
FIG 708 SIDE GLASS-----	232
FIG 709 DOOR-----	234
FIG 710 FRONT GLASS-----	236
FIG 711 SUB FENDER & COVER-----	238
FIG 712 CONTROL COVER-----	240
FIG 713 ROOF-----	242
FIG 714 INTERIOR PART-----	244
FIG 715 HEATER & AIR-CON-----	246

8 ELECTRICALS & HARNESS

FIG 801 BATTERY & MOUNTING-----	252
FIG 802 LIGHT-----	254
FIG 803 INSTRUMENT PANEL-----	256
FIG 804 ELECTRIC SYSTEM (1)-----	258
FIG 805 ELECTRIC SYSTEM (2)-----	260
FIG 806 HARNESS(1)-----	262

9 **WEIGHT, LABEL , TOOLS**

FIG 901 TOOL & ACCESSORY-----268
FIG 902 LABEL-----270
FIG 904 LEVEL CONTROL CYLINDER-----274

10 NUMERICAL INDEX

ENGINE-----279
CHASSIS-----281

FIG 101

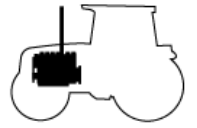
T7074

BREATHER

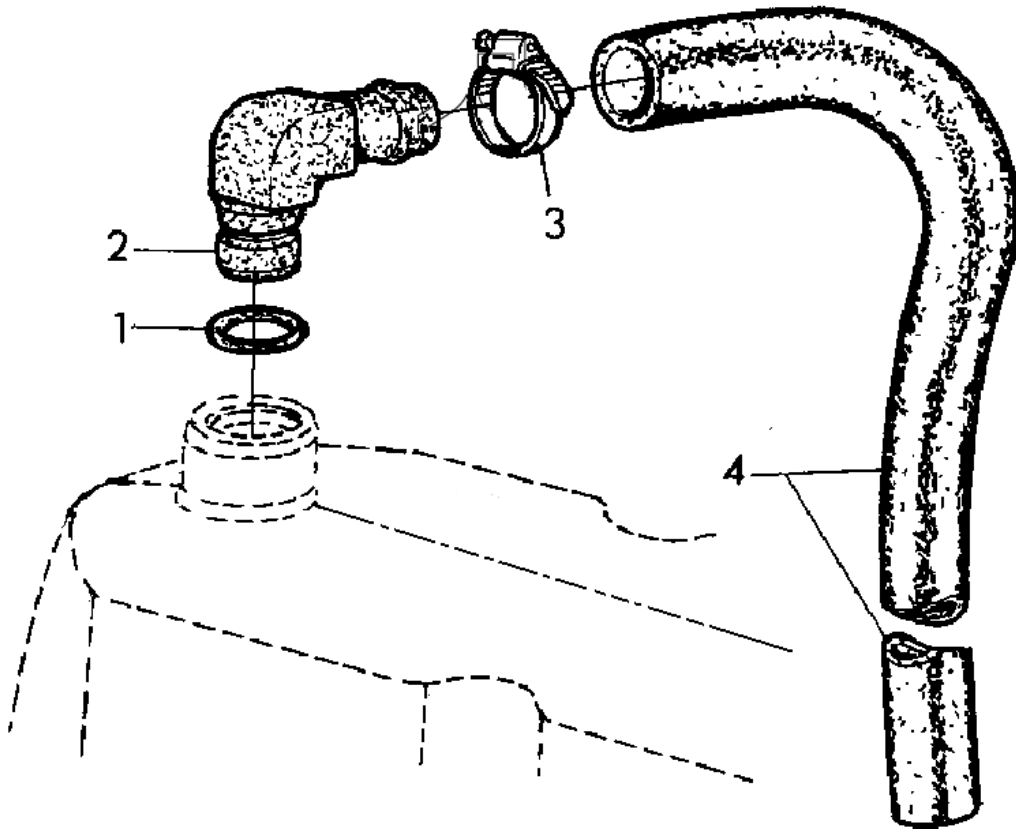
P1

Month/Year

02 / 2006



CD42516 -UN-23JUN98



NOTE

CD3029TF270

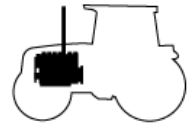
FIG 102

VALVE COVER

P1

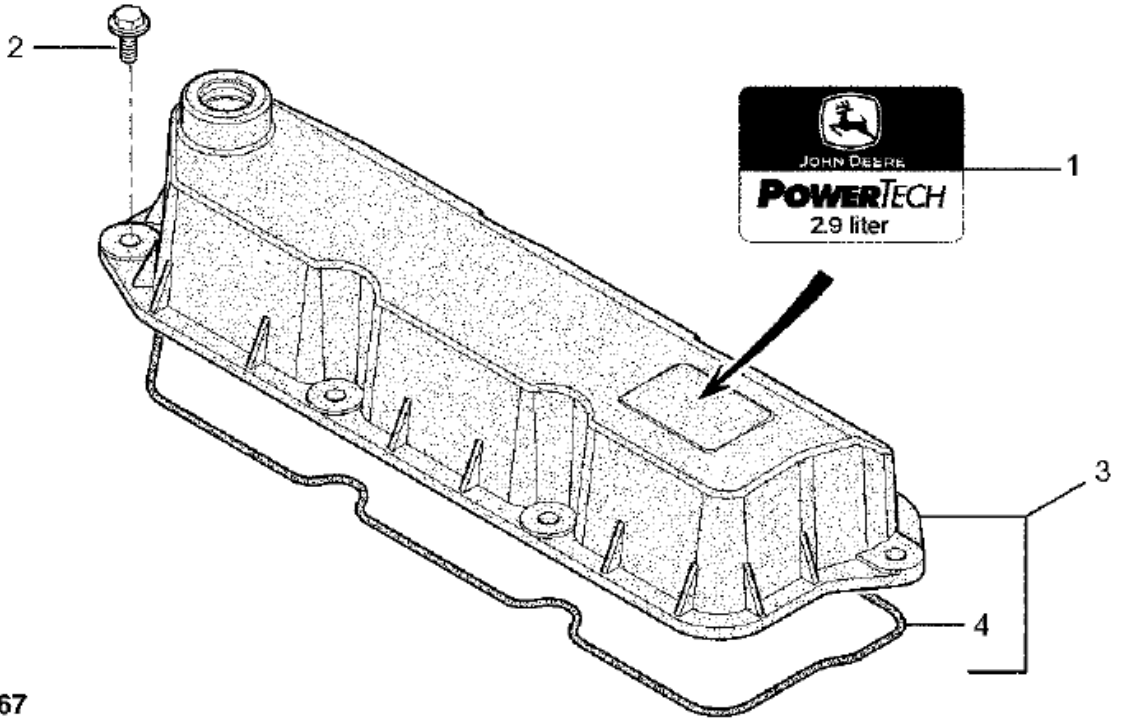
Month/Year

02 / 2006



T7074

CDP45967 -UN-27JAN04



CDP45967

NOTE

CD3029TF270

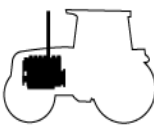
FIG 102		VALVE COVER			P1	Month / Year	
T7074						02 / 2006	
KEY NO.	PART NO.	DESCRIPTION	SPEC.	QTY.	REPAIR	ENG. SERIAL NO	REMARKS
102 001	R130942	MEDALLION		1			
102 002	RE32140	SCREW WITH WASHER	6.350 X 20 MM	6			
102 003	RE44202	VALVE COVER		1	C		
102 004	R106796	GASKET	LGTH= 1256MM	1	C		
NOTE	CD3029TF270E						

FIG 103

ROCKER ARM/SHAFT/TAPPET/PUSH ROD

P1

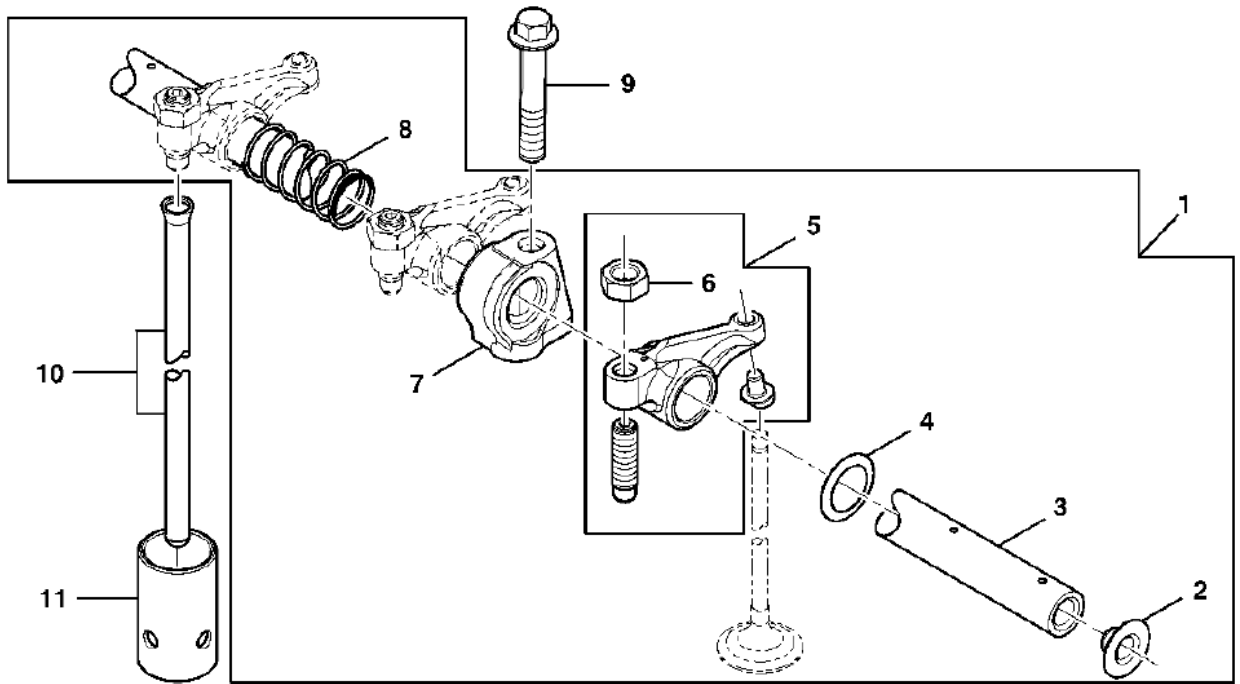
Month/Year

02 / 2006



T7074

CDP45555 -UN-25AUG03



CDP45555

NOTE

CD3029TF270

FIG 104

CYLINDER HEAD

P1

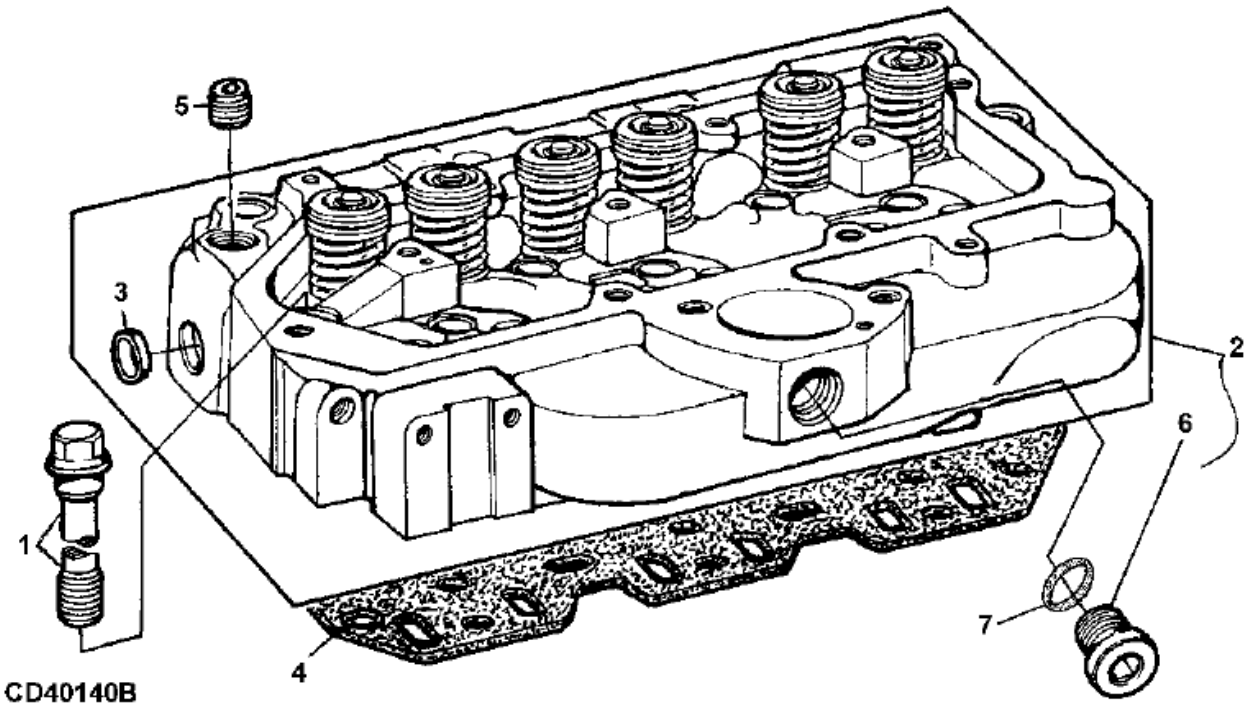
Month/Year

02 / 2006



T7074

CD40140B -UN-19NOV02



NOTE

CD3029TF270

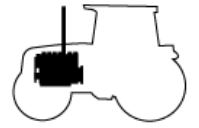
FIG 105

VALVE/VALVE SEAT/SPRING/ROTATOR

P1

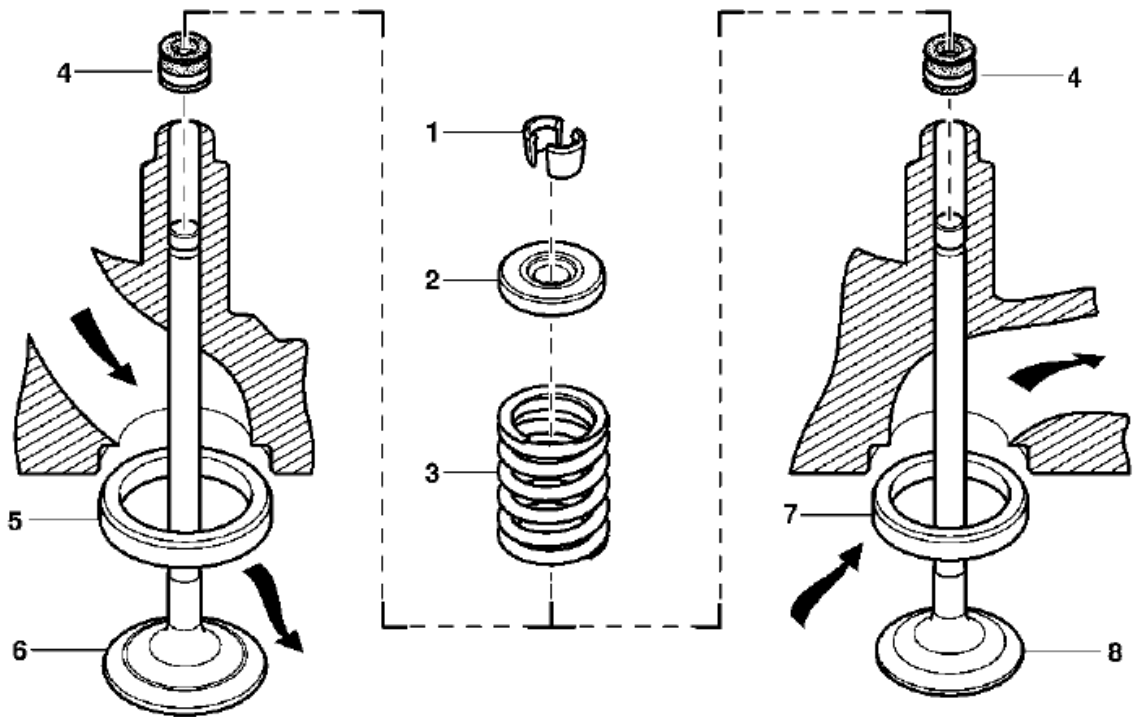
Month/Year

02 / 2006



T7074

CDP46152 -UN-01APR04



CDP46152

NOTE

CD3029TF270

FIG 106

WATER TEMPERATURE SENSOR

P1

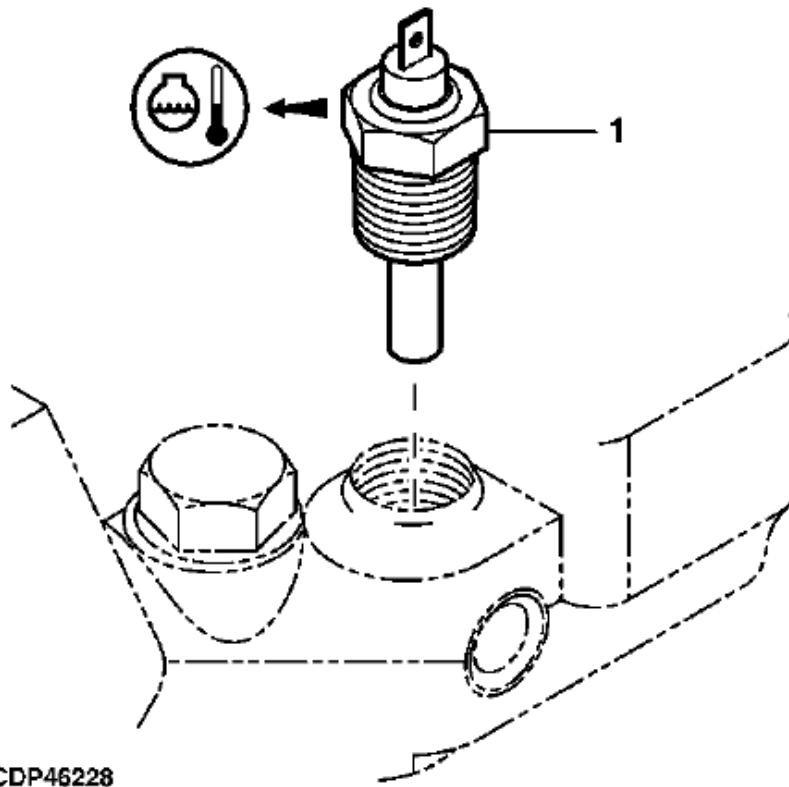
Month/Year

02 / 2006



T7074

CDP46228 -UN-14MAY04



NOTE

CD3029TF270

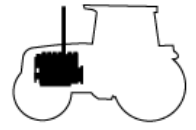
FIG 107

CYLINDER BLOCK KIT

P1

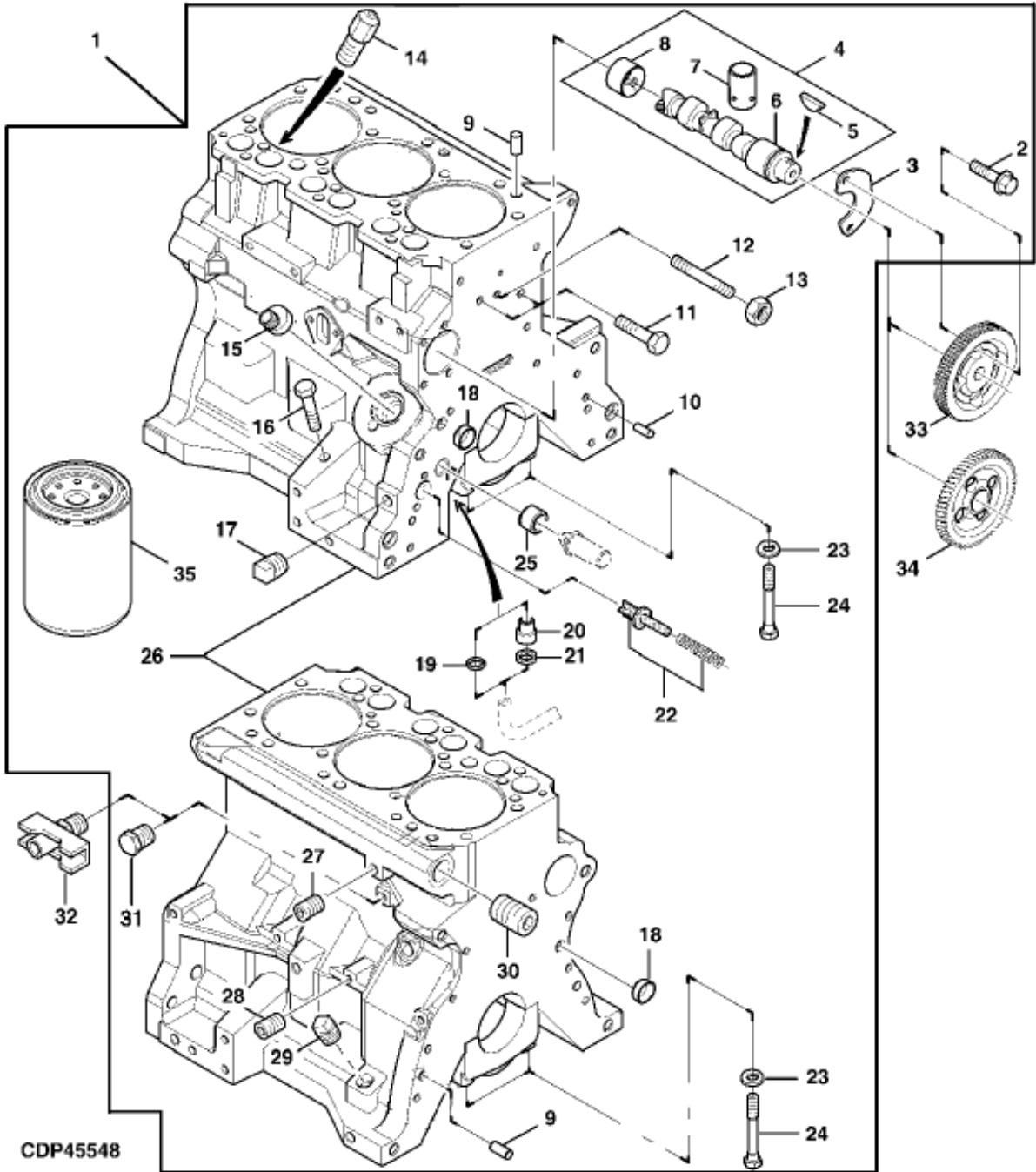
Month/Year

02 / 2006



T7074

CDP45548 -UN-09APR03



CDP45548

NOTE

CD3029TF270

FIG 108

BEARINGS/CRANKSHAFT

P1

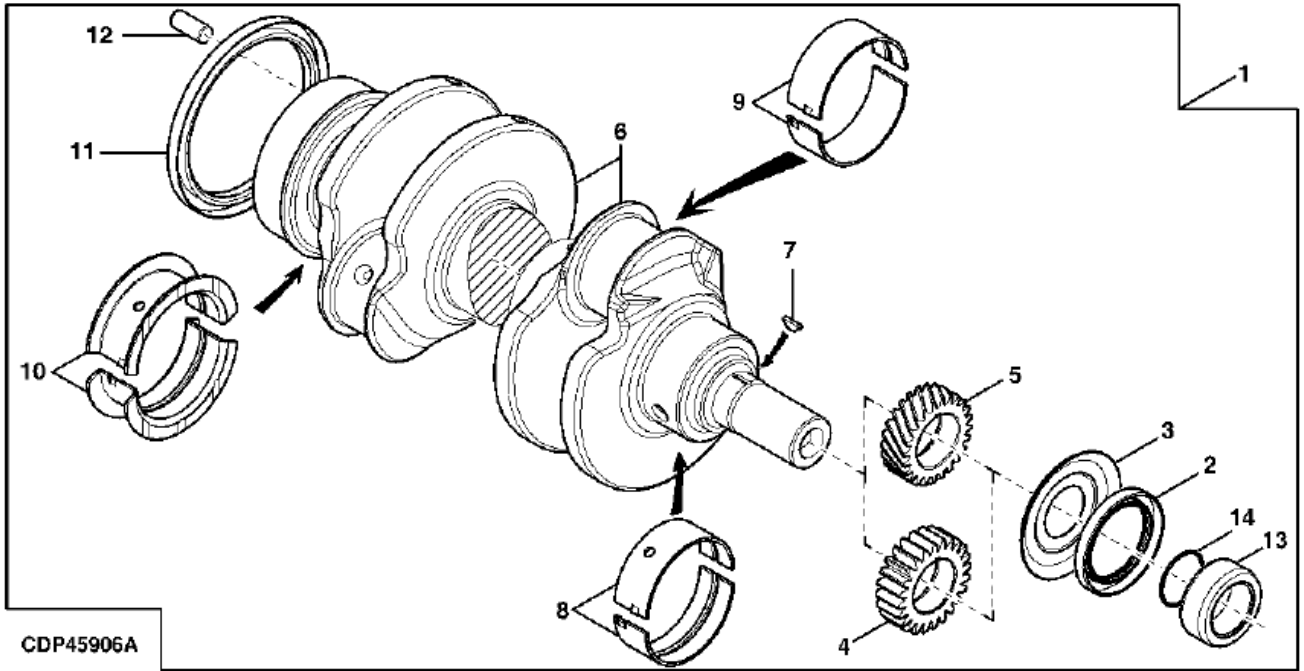
Month/Year

02 / 2006



T7074

CDP45906A -UN-07JUN05



NOTE

CD3029TF270

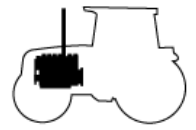
FIG 109

BEARINGS, THRUST BEARING

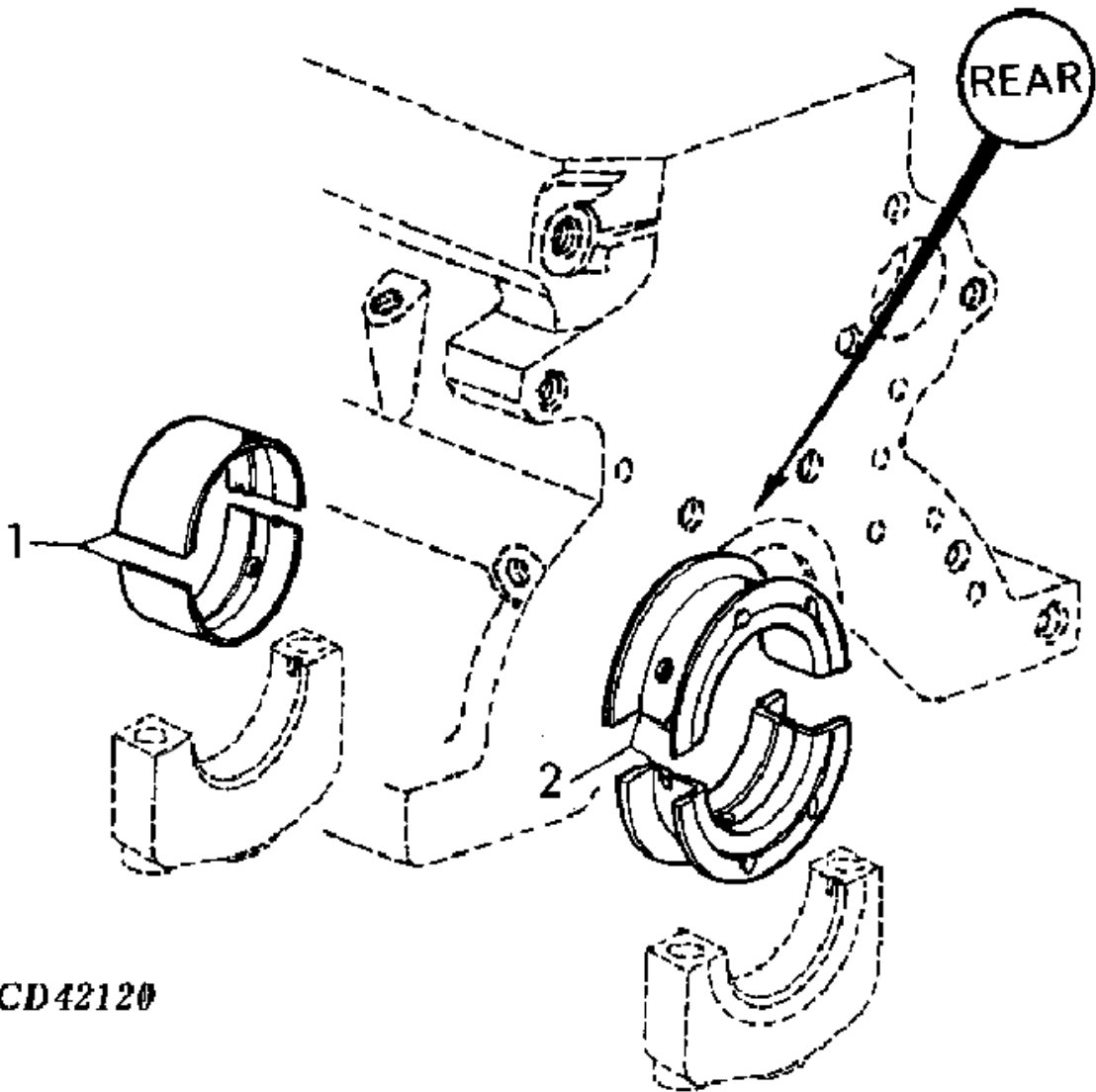
P1

Month/Year

02 / 2006



T7074



CD42120

NOTE

CD3029TF270

FIG 110

T7074

CONNECTING ROD / BEARINGS

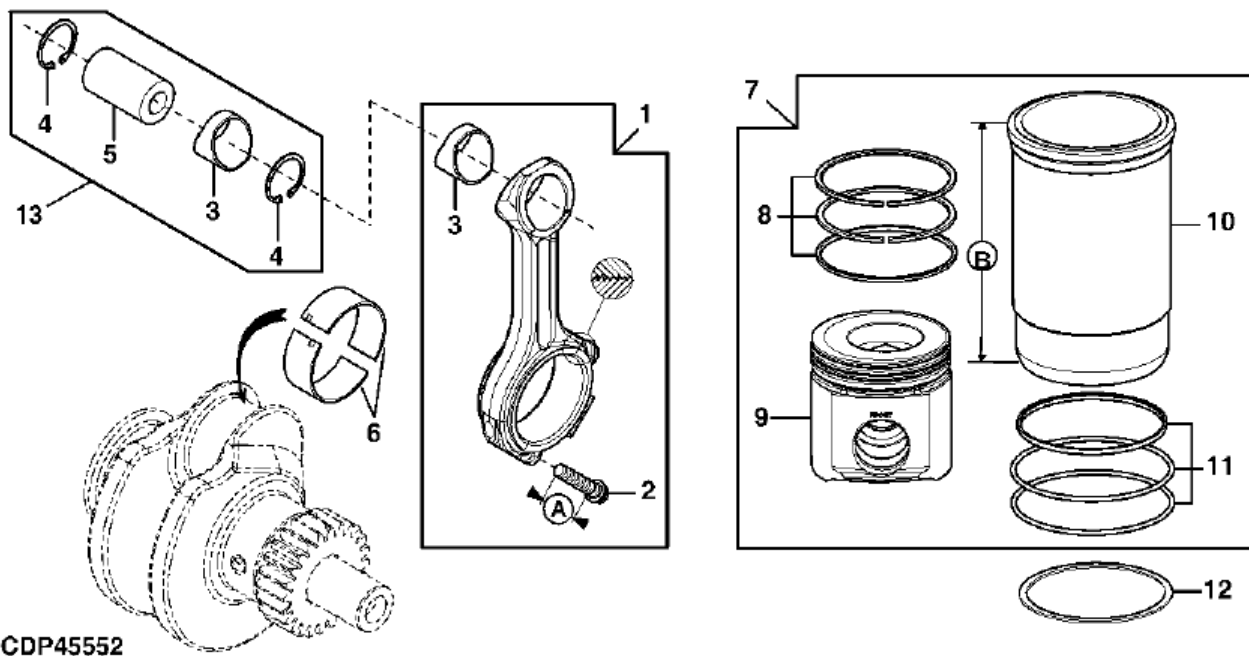
P1

Month/Year

02 / 2006



CDP45552 -UN-21MAR03



CDP45552

NOTE

CD3029TF270

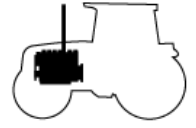
FIG 111

OIL DIPSTICK / GUIDE

P1

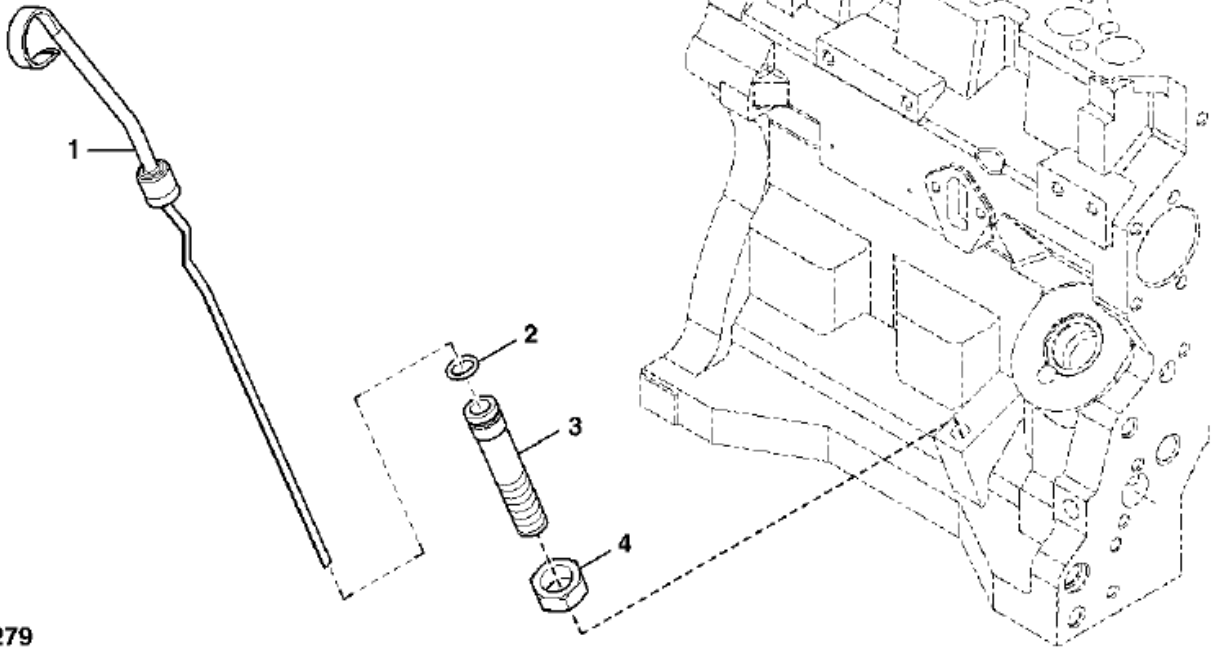
Month/Year

02 / 2006



T7074

CDP46279 -UN-22JUN04



CDP46279

NOTE

CD3029TF270

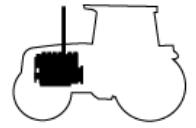
FIG 112

OIL PUMP/SPUR GEAR DRIVE

P1

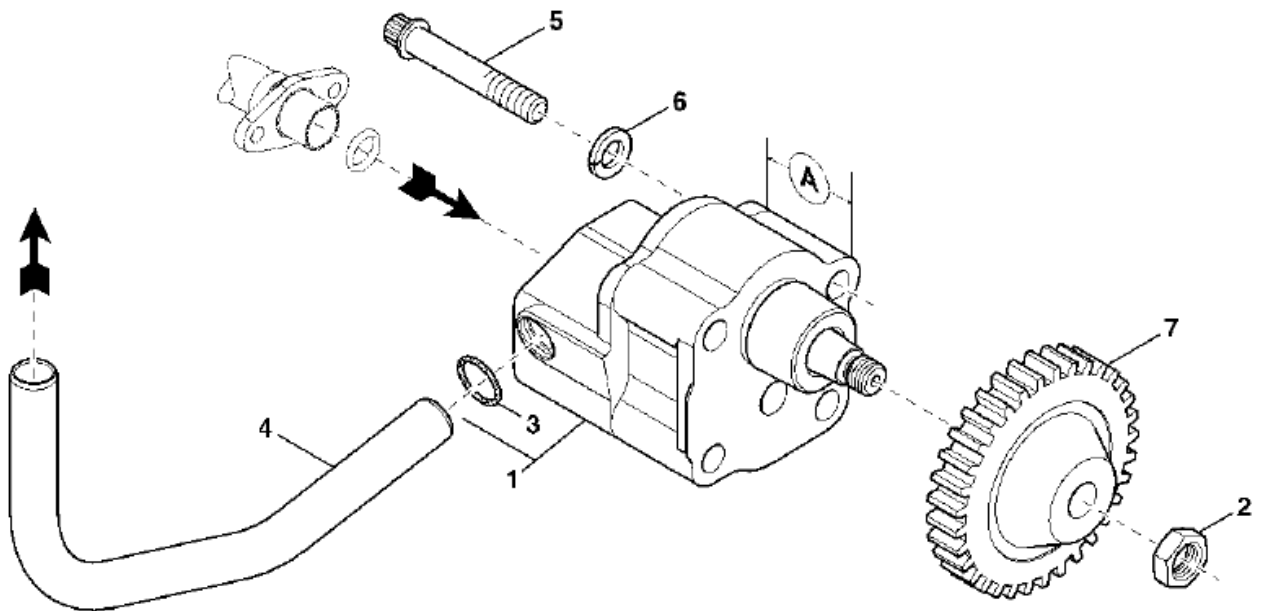
Month/Year

02 / 2006



T7074

CDP47233 -UN-05OCT05



CDP47233

NOTE CD3029TF270

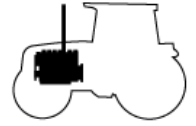
FIG 113

OIL PUMP KIT

P1

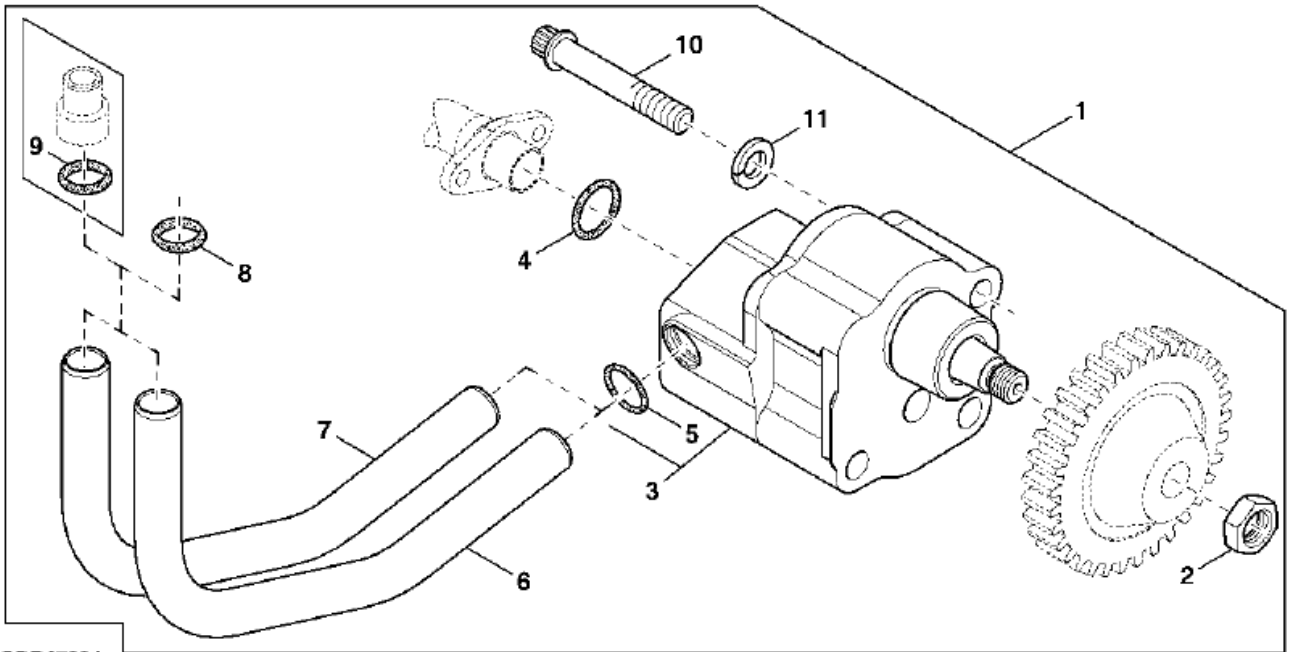
Month/Year

02 / 2006



T7074

CDP47234 -UN-06OCT05



CDP47234

NOTE

CD3029TF270

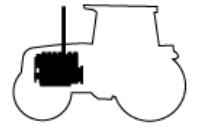
FIG 114

OIL PAN

P1

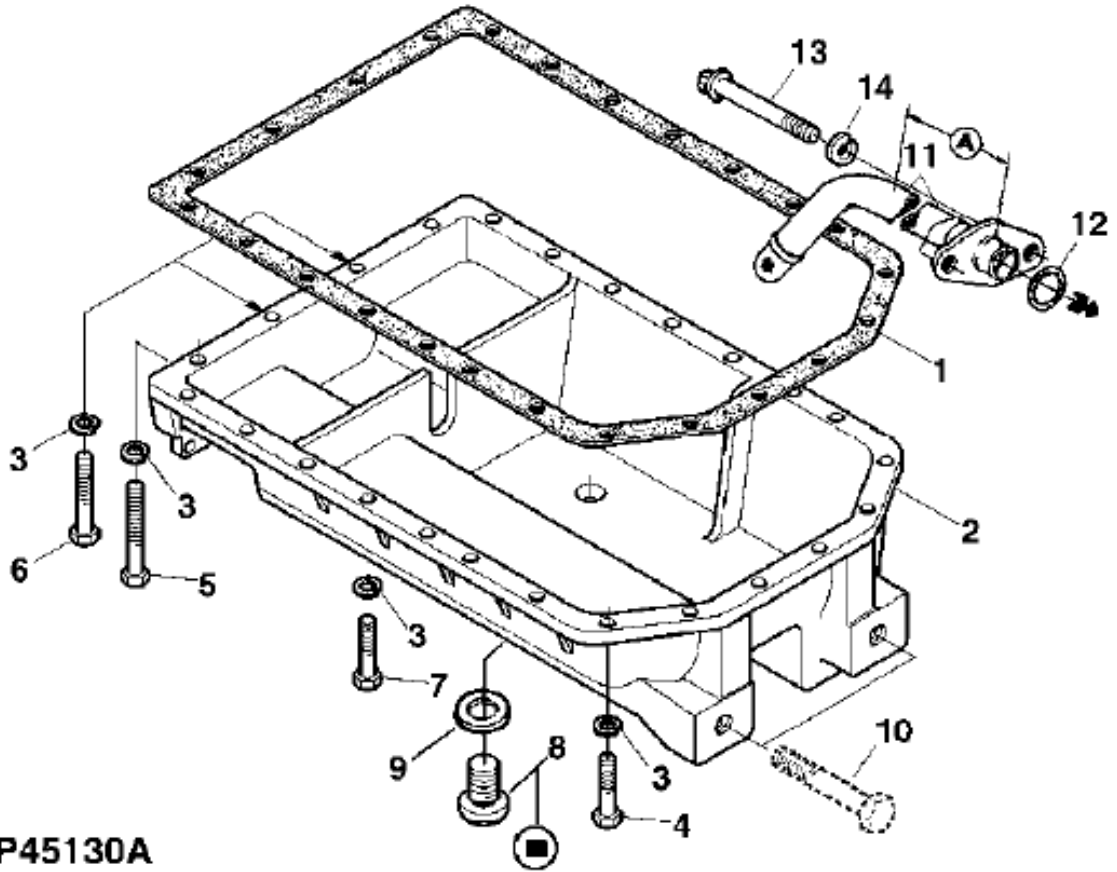
Month/Year

02 / 2006



T7074

CDP45130A -UN-09DEC03



CDP45130A

NOTE CD3029TF270

FIG 115

CRANKSHAFT PULLEY

P1

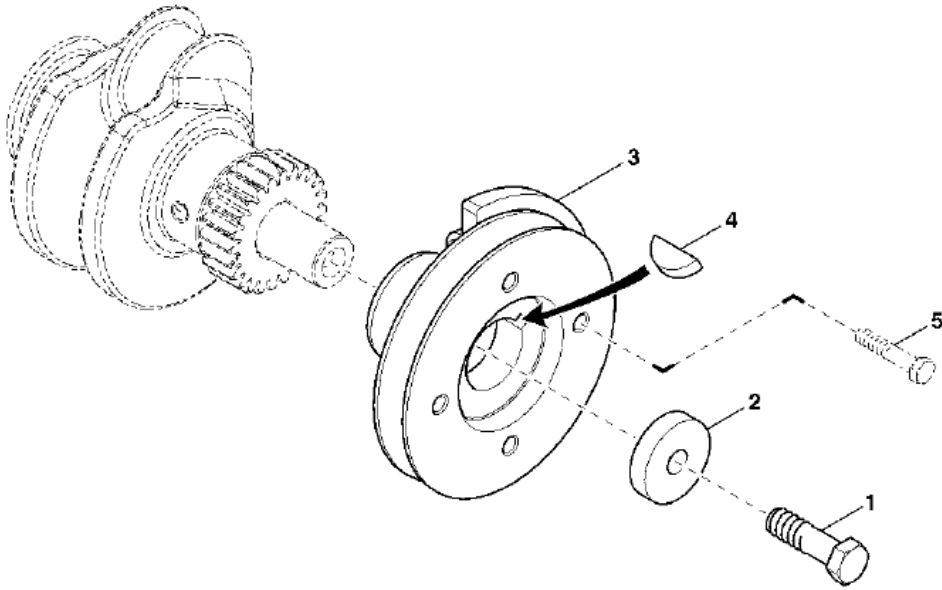
Month/Year

02 / 2006

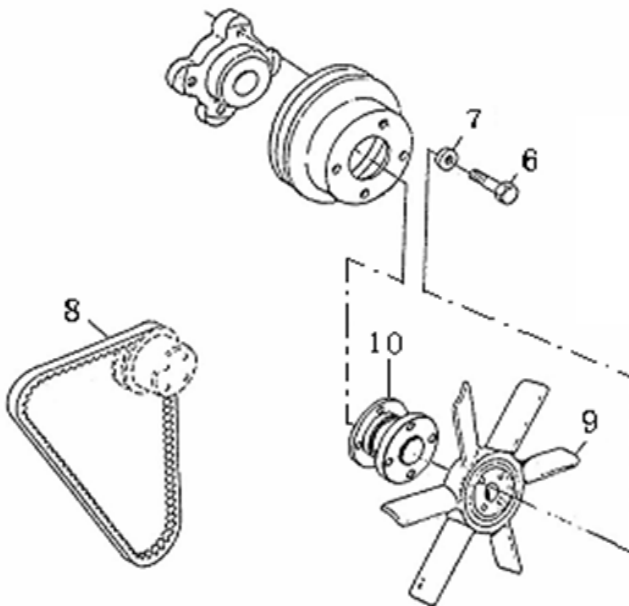


T7074

CDP47235 -UN-06OCT05



CDP47235



NOTE

CD3029TF270

FIG 116

T7074

OIL FILLER NECK

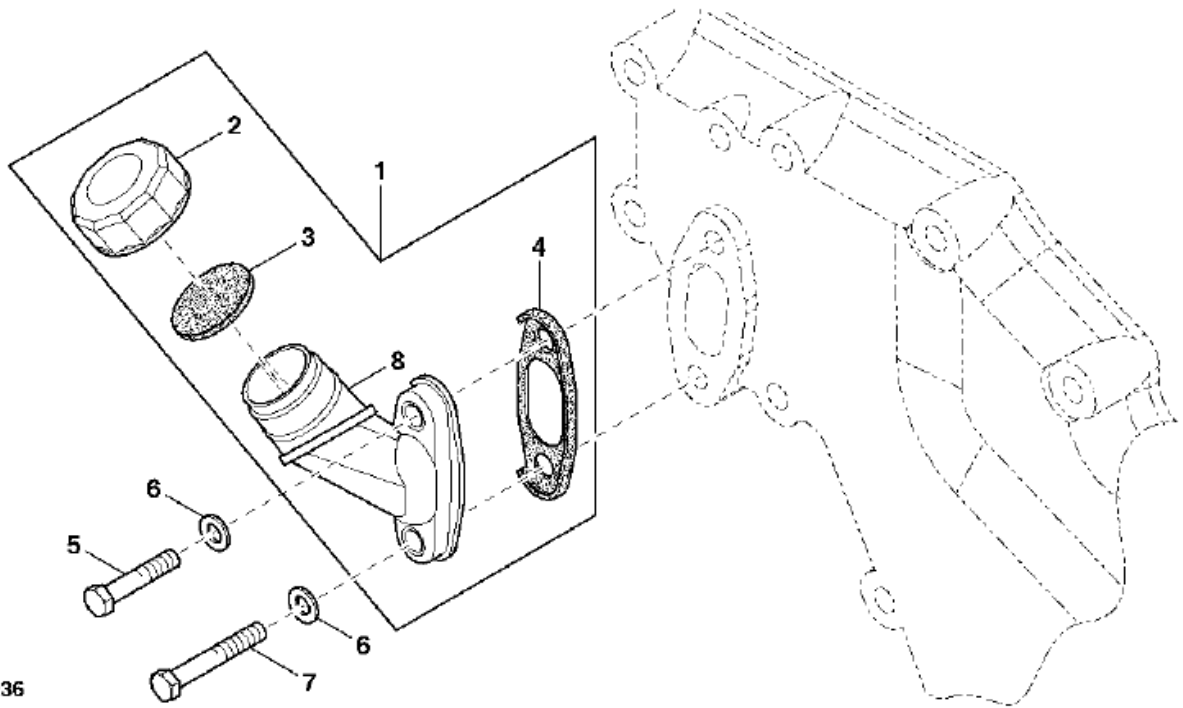
P1

Month/Year

02 / 2006



CDP47236 -UN-06OCT05



CDP47236

NOTE

CD3029TF270

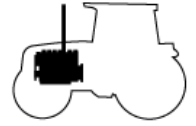
FIG 117

TIMING GEAR COVER / UPPER TIMING GEAR

P1

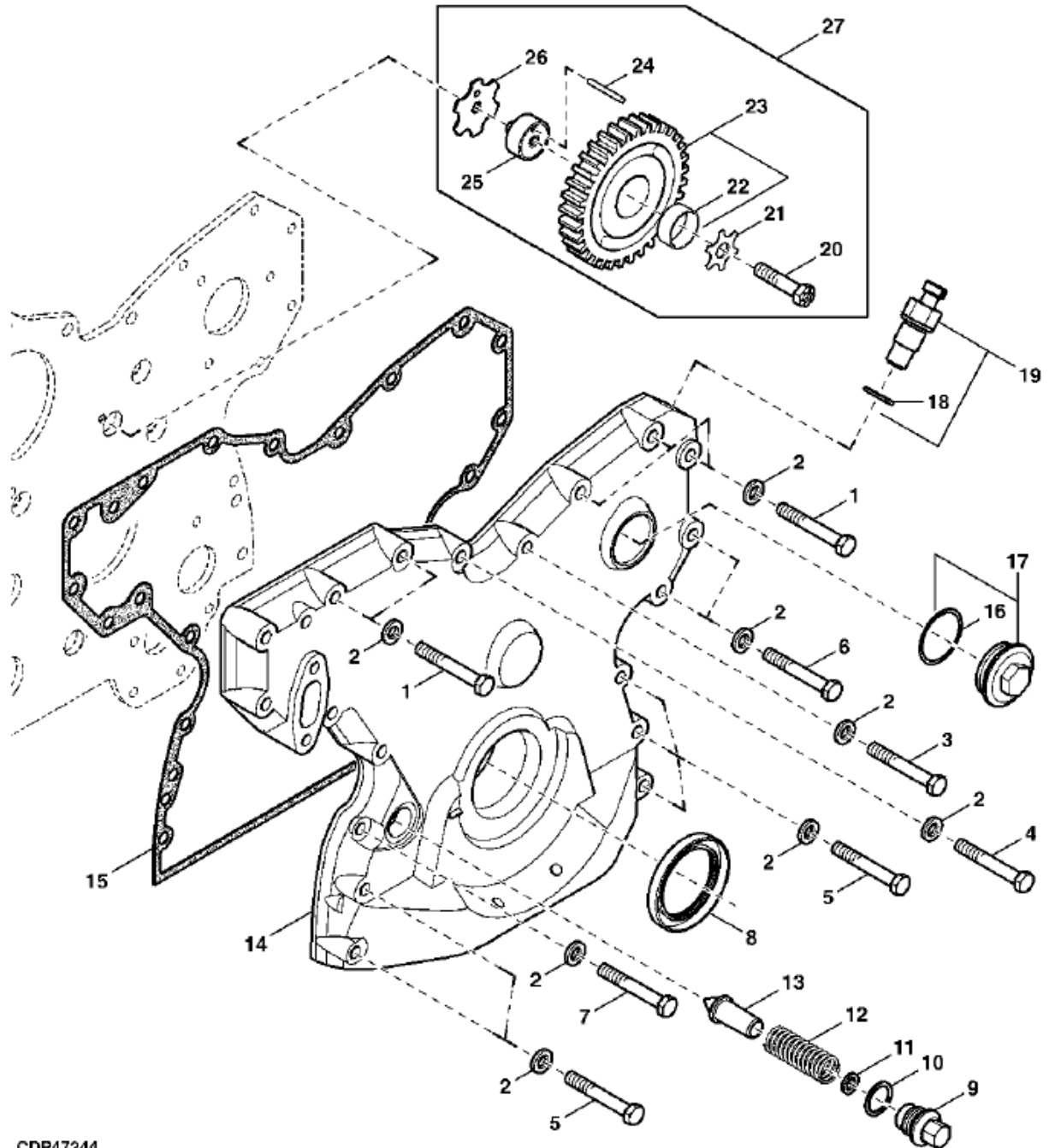
Month/Year

02 / 2006



T7074

CDP47244 -UN-19OCT05



CDP47244

NOTE CD3029TF270

FIG 118

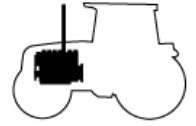
T7074

**HARDWARE FOR RIGHT HAND
SIDE POWER-TAKEOFF**

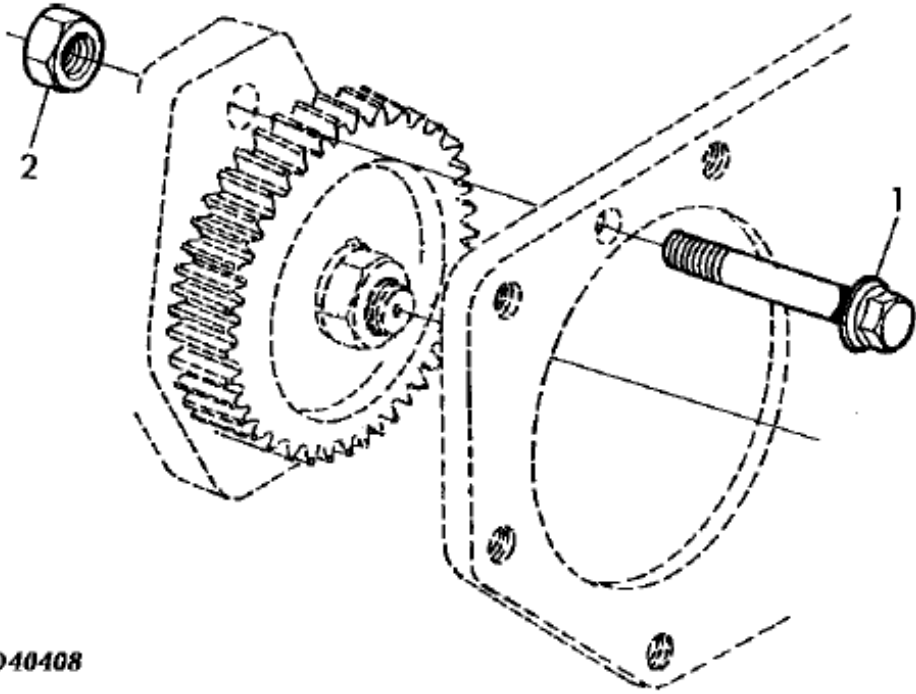
P1

Month/Year

02 / 2006



CD40408 -UN-23MAY95



CD40408

NOTE

CD3029TF270

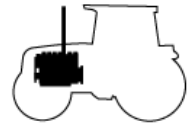
FIG 119

FRONT PLATE&LOWER IDLE GEAR

P1

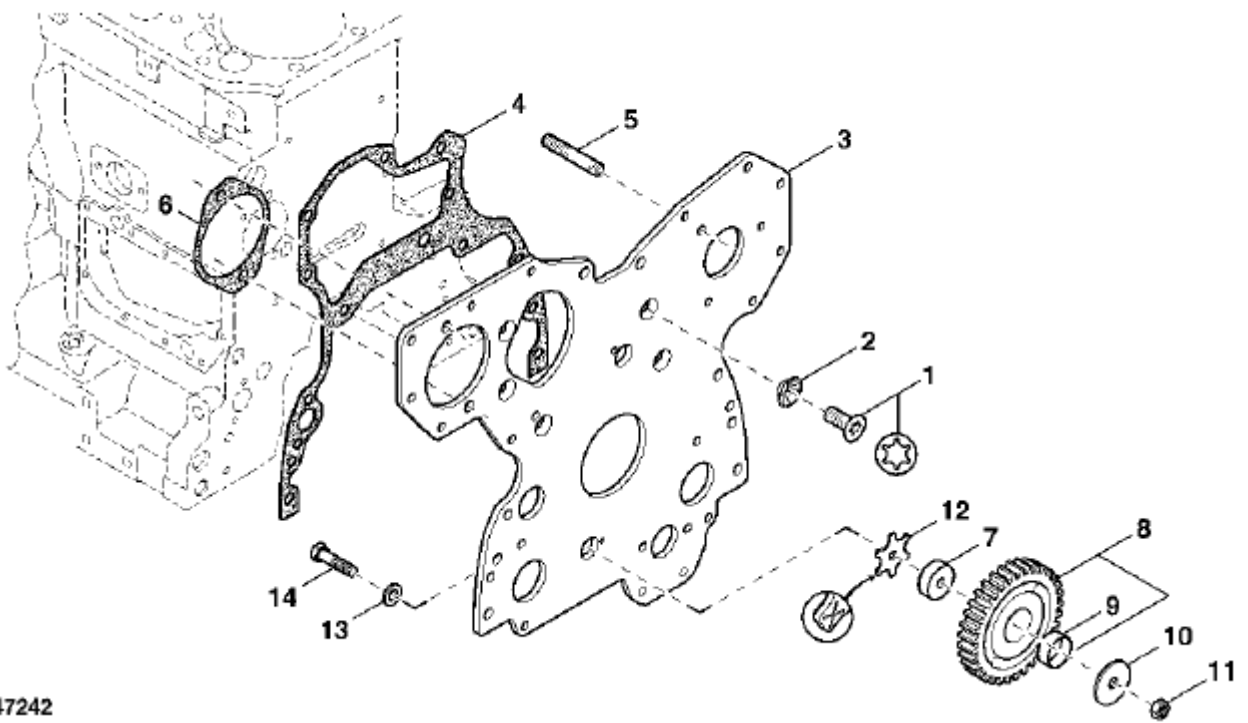
Month/Year

02 / 2006



T7074

CDP47242 -UN-07OCT05



CDP47242

NOTE

CD3029TF270

FIG 120

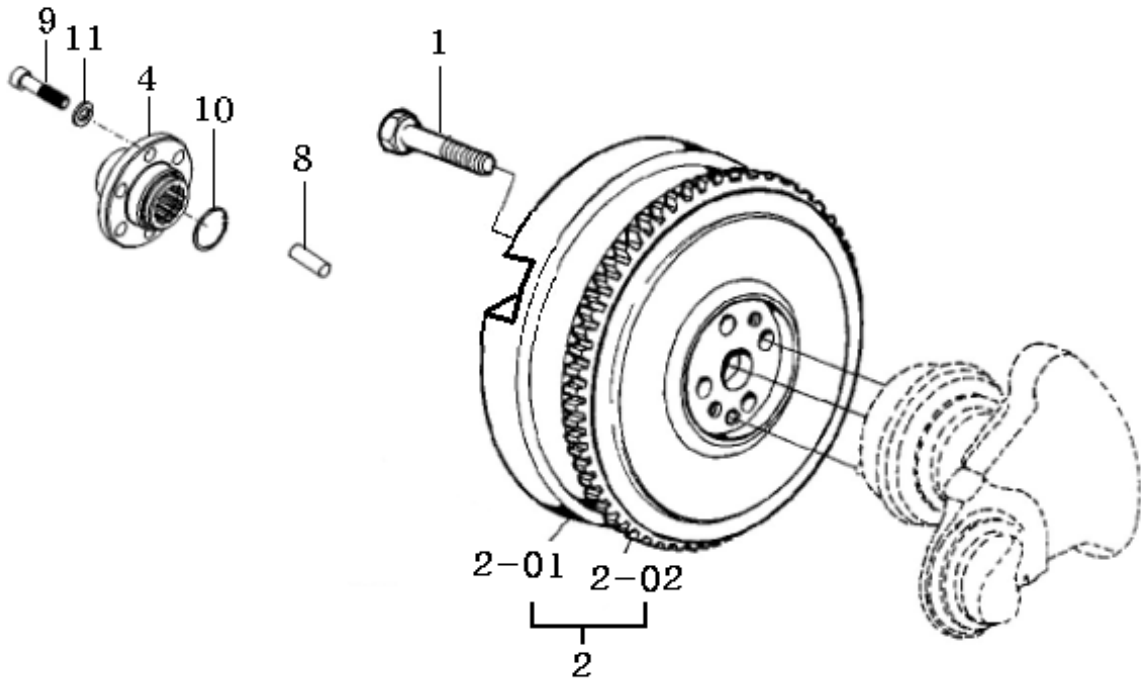
T7074

FLYWHEEL

P1

Month/Year

02 / 2006



NOTE

CD3029TF270

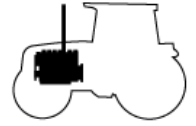
FIG 121

FLYWHEEL HOUSING

P1

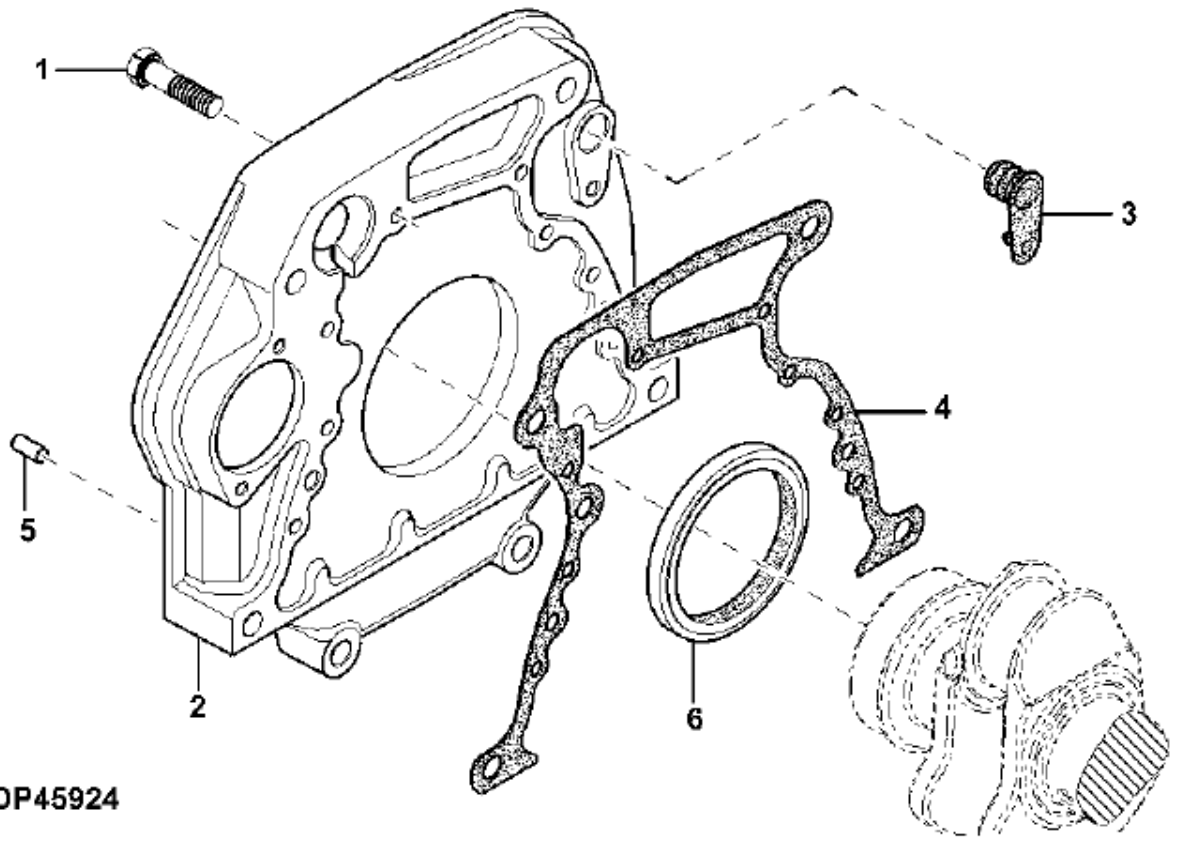
Month/Year

02 / 2006



T7074

CDP45924 -UN-12DEC03



CDP45924

NOTE

CD3029TF270

FIG 122

OIL PRESSURE SWITCH

P1

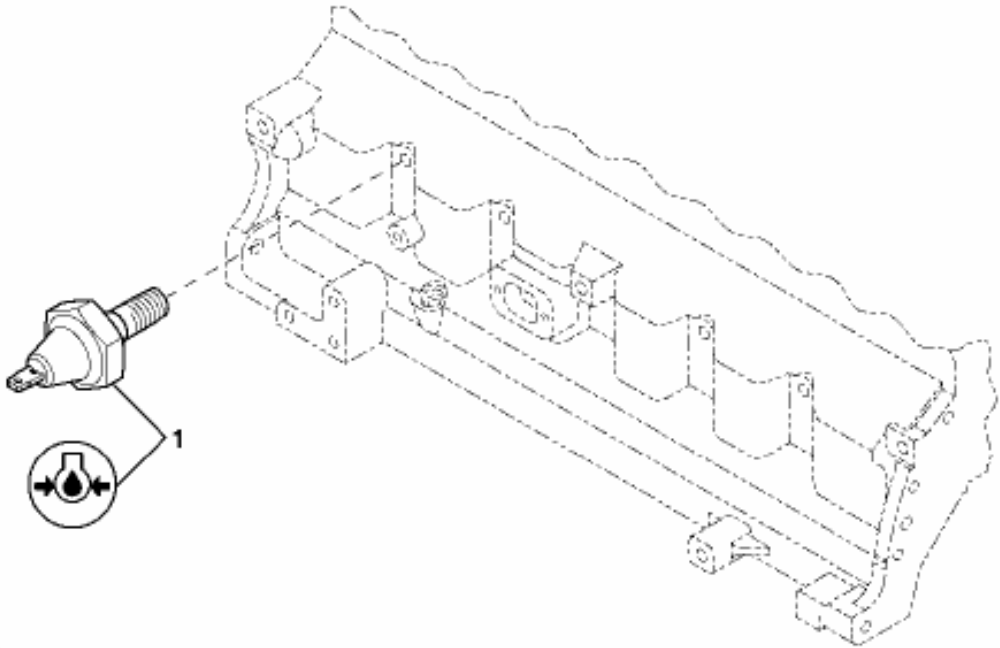
Month/Year

02 / 2006



T7074

CDP45113A -UN-06MAY03



CDP45113A

NOTE

CD3029TF270

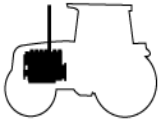
FIG 122 T7074		Oil PRESSURE SWITCH			P1	Month / Year	
						02 / 2006	
KEY NO.	PART NO.	DESCRIPTION	SPEC.	QTY.	REPAIR	ENG. SERIAL NO.	REMARKS
122 001	AT85174	SWITCH	1/8"-27NPTF (12 VOLT-24 VOLT)	1			
NOTE	CD3029TF270E						

FIG 123

T7074

**THERMOSTAT/COVER/BY PASS
TUBE TO WATER PUMP**

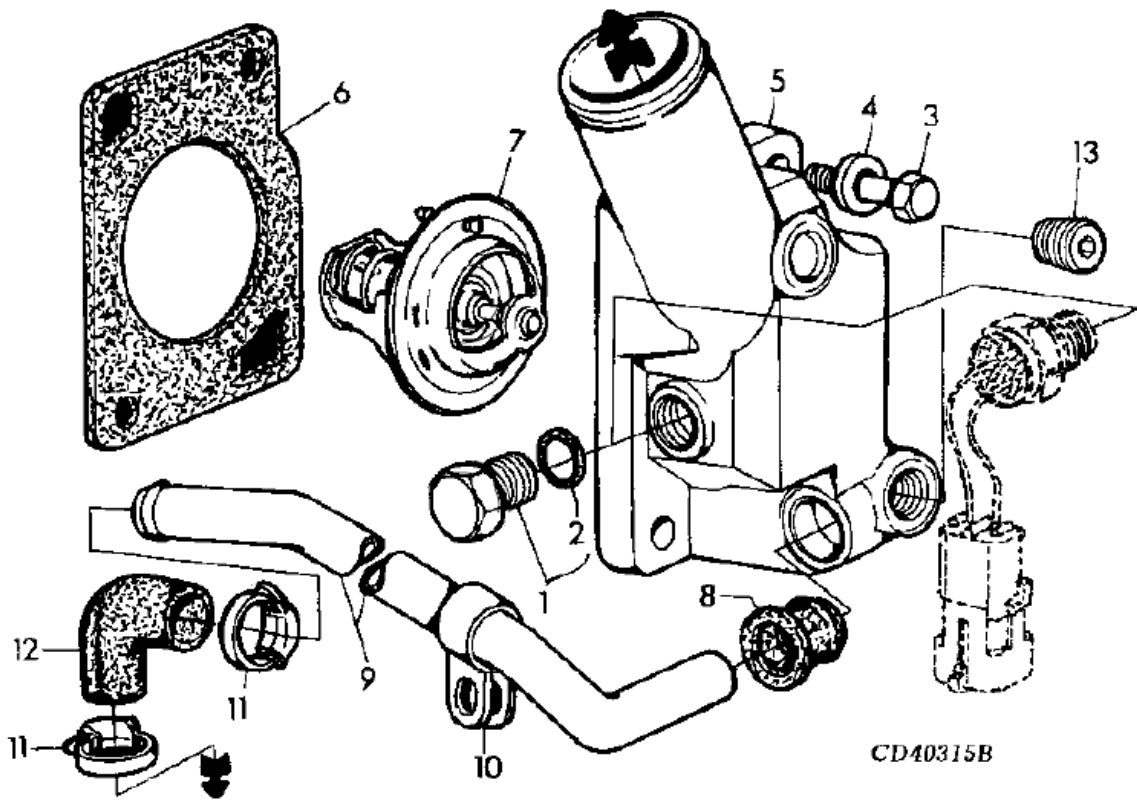
P1

Month/Year

02 / 2006



CD40315B -UN-19OCT99



NOTE

CD3029TF270

FIG 124

WATER PUMP

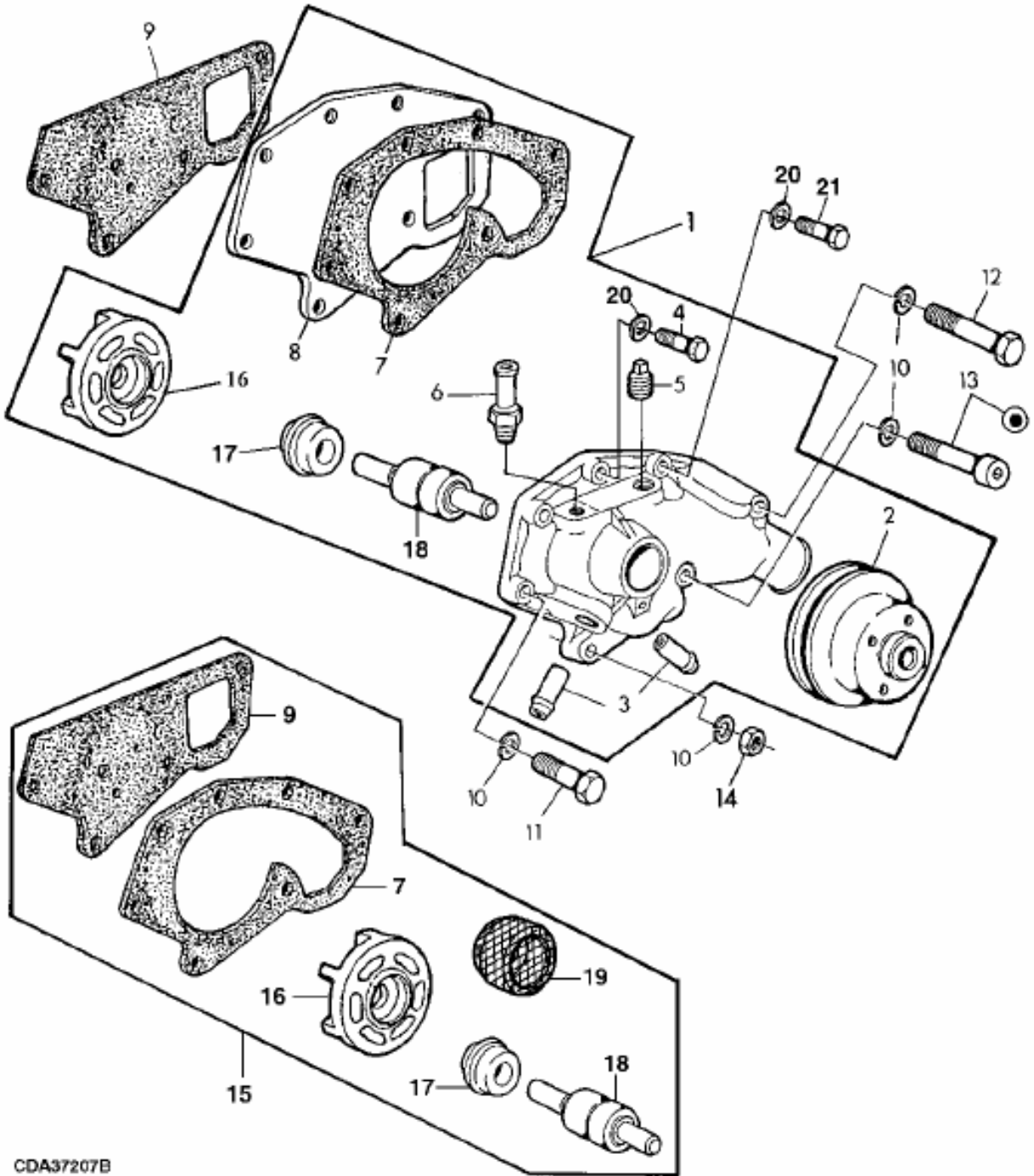
P1

Month/Year

02 / 2006



CDA37207B -UN-25OCT04



CDA37207B

NOTE

CD3029TF270

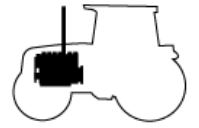
FIG 125

OIL COOLER/ADAPTER/OIL FILTER

P1

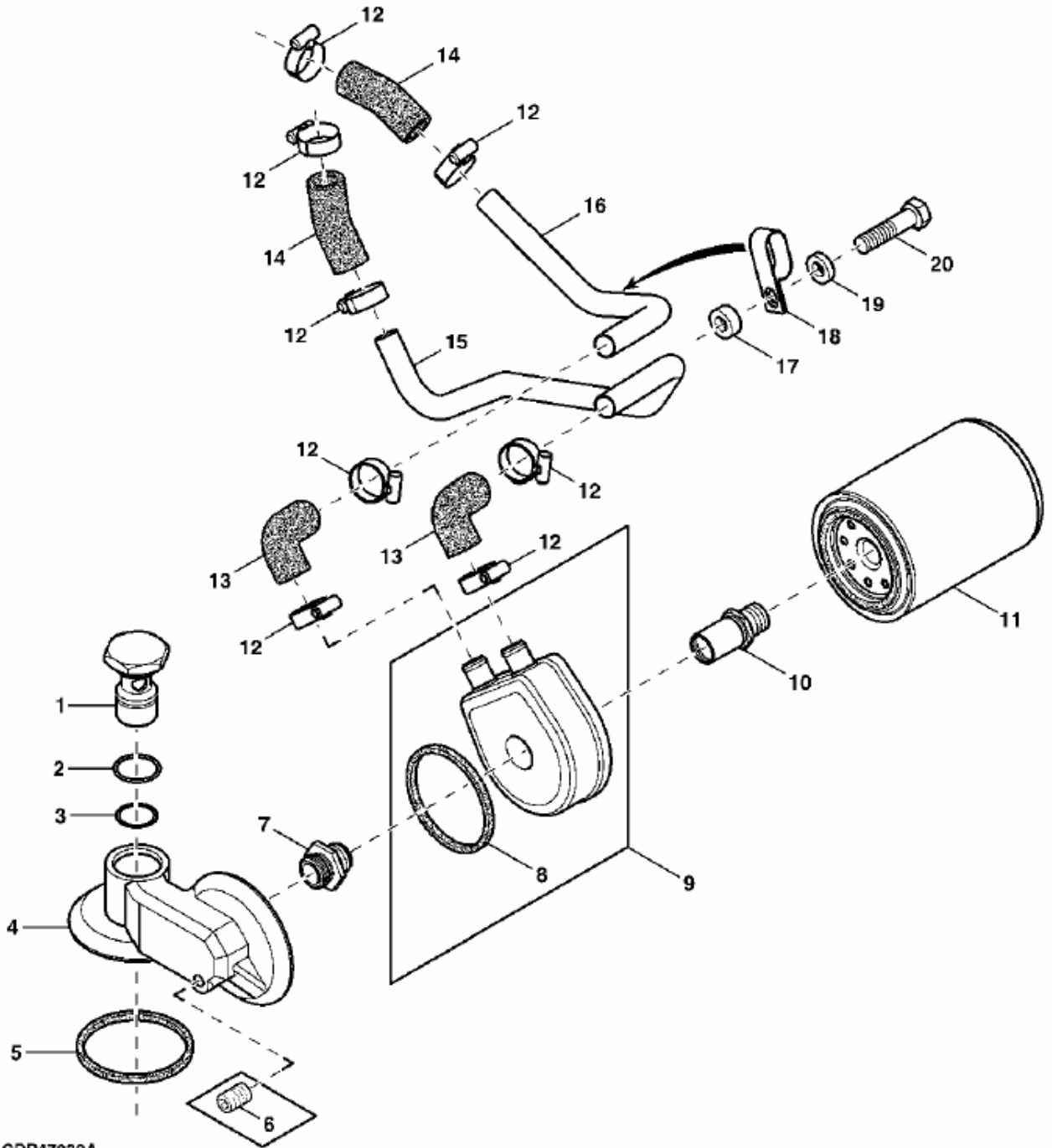
Month/Year

02 / 2006



T7074

CDP47239A -UN-19OCT05



CDP47239A

NOTE

CD3029TF270

FIG 127

ENGINE GASKET KIT

P1

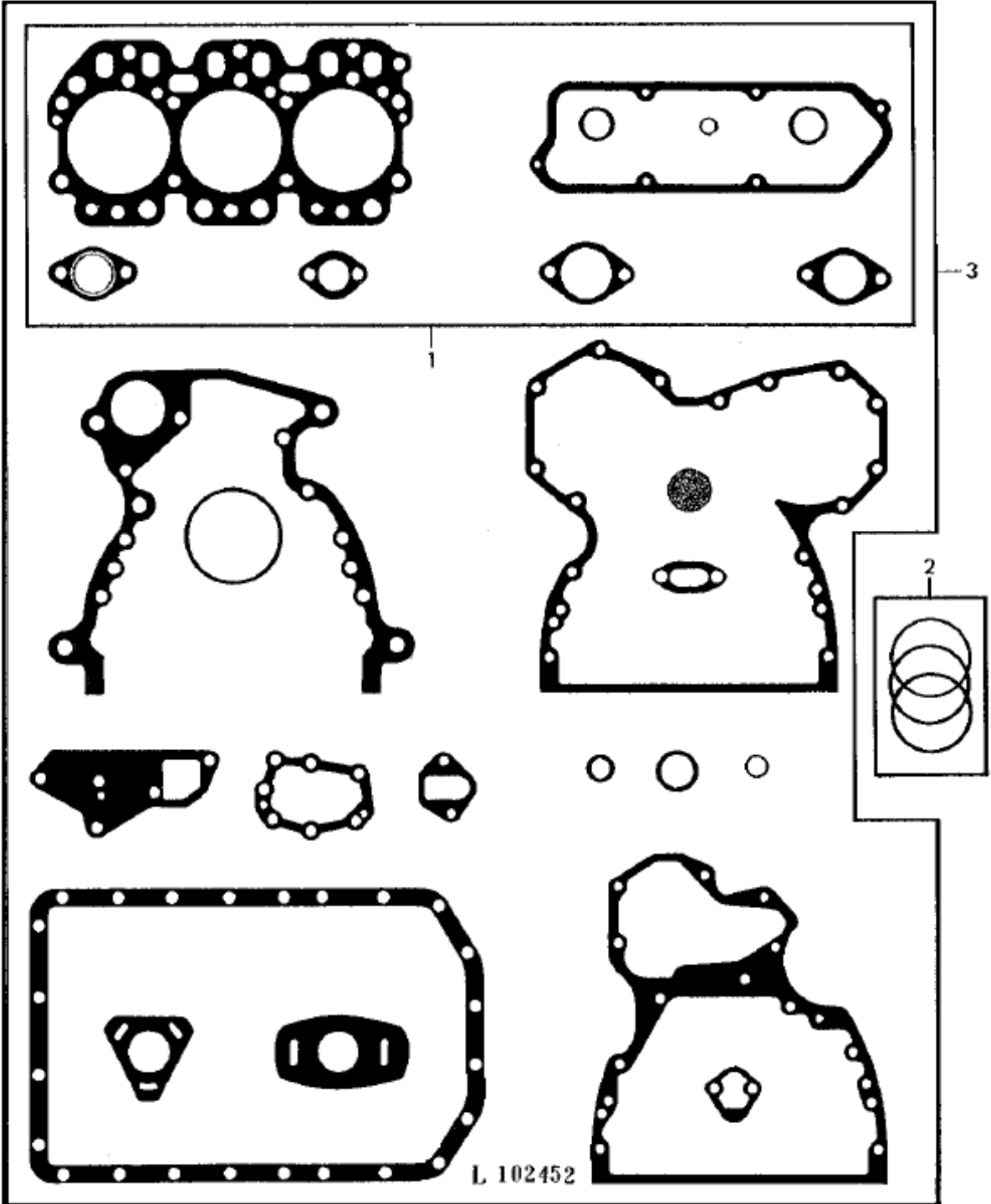
Month/Year

02 / 2006



T7074

L102452 -UN-01JAN94



NOTE

CD3029TF270

FIG 127 T7074		ENGINE GASKET KIT			P1	Month / Year	
						02 / 2006	
KEY NO.	PART NO.	DESCRIPTION	SPEC.	QTY.	REPAIR	ENG. SERIAL NO	REMARKS
127 001	RE64293	GASKET KIT		1			
127 002	AR65507	O-RING KIT		3			
127 003	RE64294	GASKET KIT		1	B		
NOTE	CD3029TF270E						

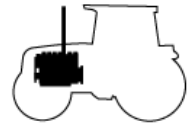
FIG 128

SHORT BLOCK ASSEMBLY

P1

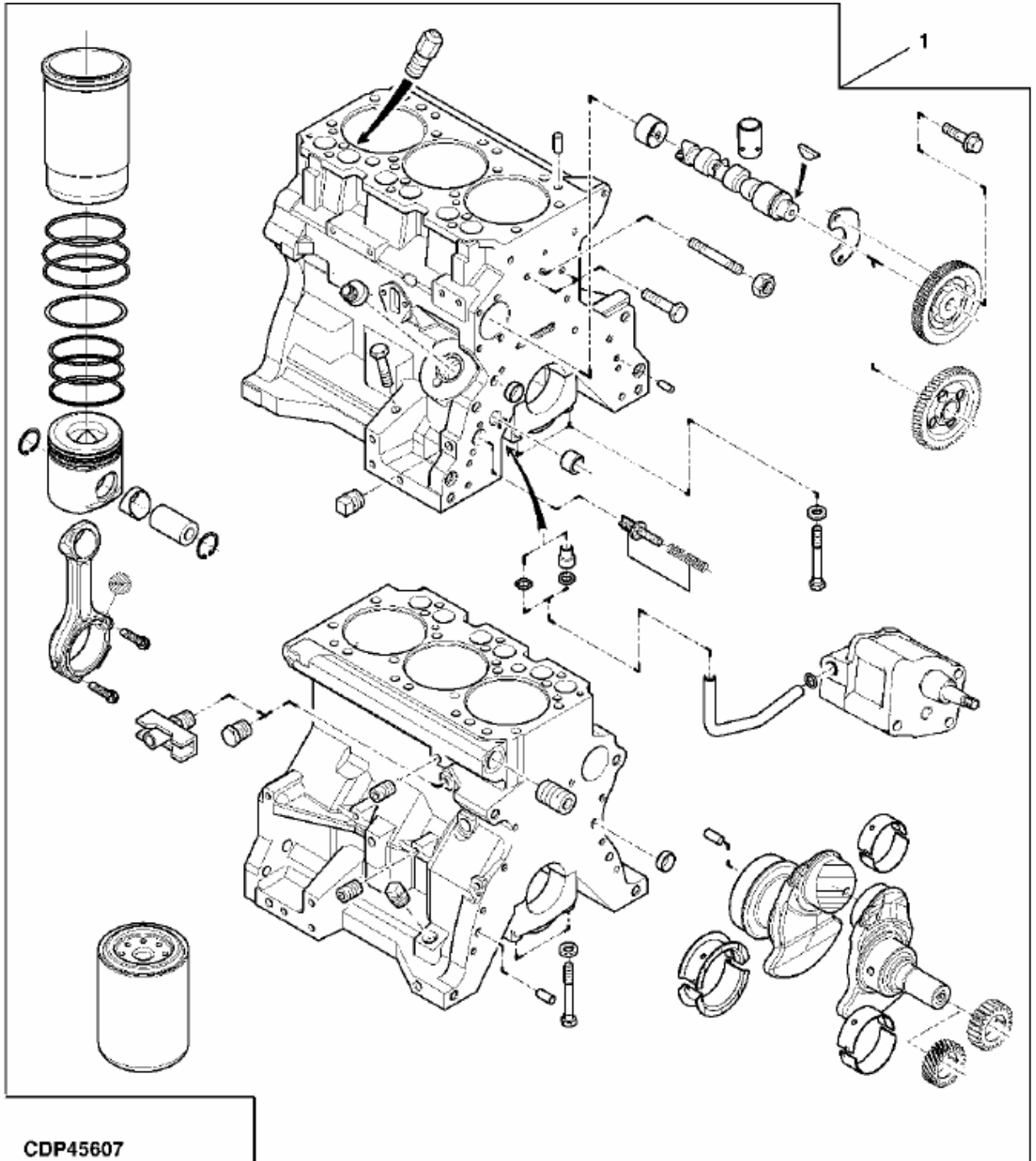
Month/Year

02 / 2006



T7074

CDP45607 -UN-11APR03



NOTE

CD3029TF270

FIG 129

INTAKE MANIFOLD

P1

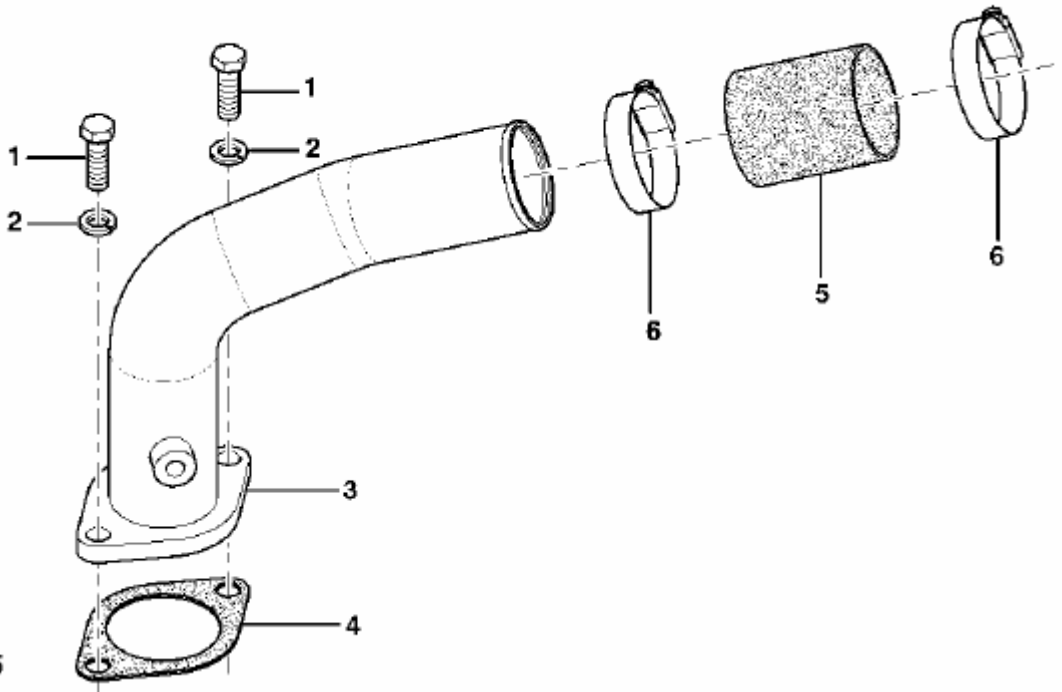
Month/Year

02 / 2006



T7074

CDP45905 -UN-18NOV03



CDP45905

NOTE

CD3029TF270

FIG 130

T7074

**COLD WEATHER STARTING AID,
GLOW PLUG**

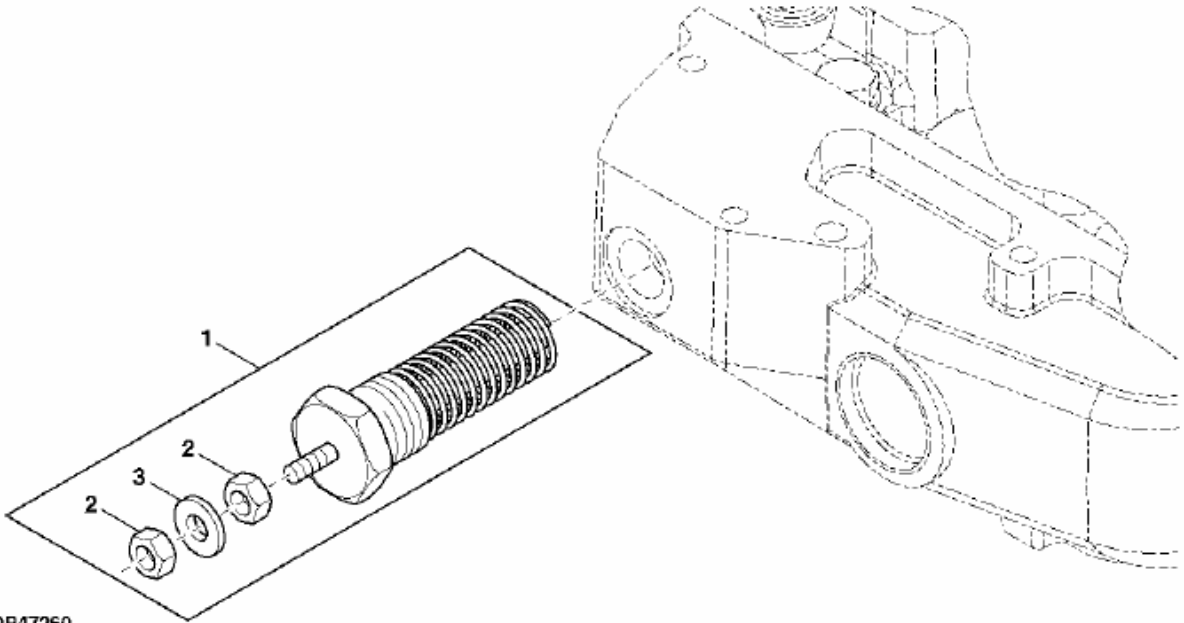
P1

Month/Year

02 / 2006



CDP47260 -UN-12OCT05



CDP47260

NOTE

CD3029TF270

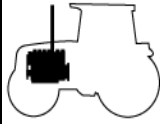
FIG 130		COLD WEATHER STARTING AID, GLOWPLUG			P1	Month / Year		
T7074						02 / 2006		
<i>KEY NO.</i>	<i>PART NO.</i>	<i>DESCRIPTION</i>	<i>SPEC.</i>	<i>QTY.</i>	<i>REPAIRING SERIAL NO.</i>	<i>REMARKS</i>		
130 001	RE502079	GLOW PLUG	7/8"-14UNF (12 VOLT - 700 WATT)	1				
130 002	14M7297	NUT	M5	2				
130 003	12M7064	LOCK WASHER	5 MM	1				
NOTE	CD3029TF270E							

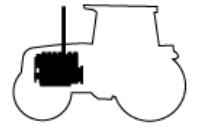
FIG 131

EXHAUST MANIFOLD

P1

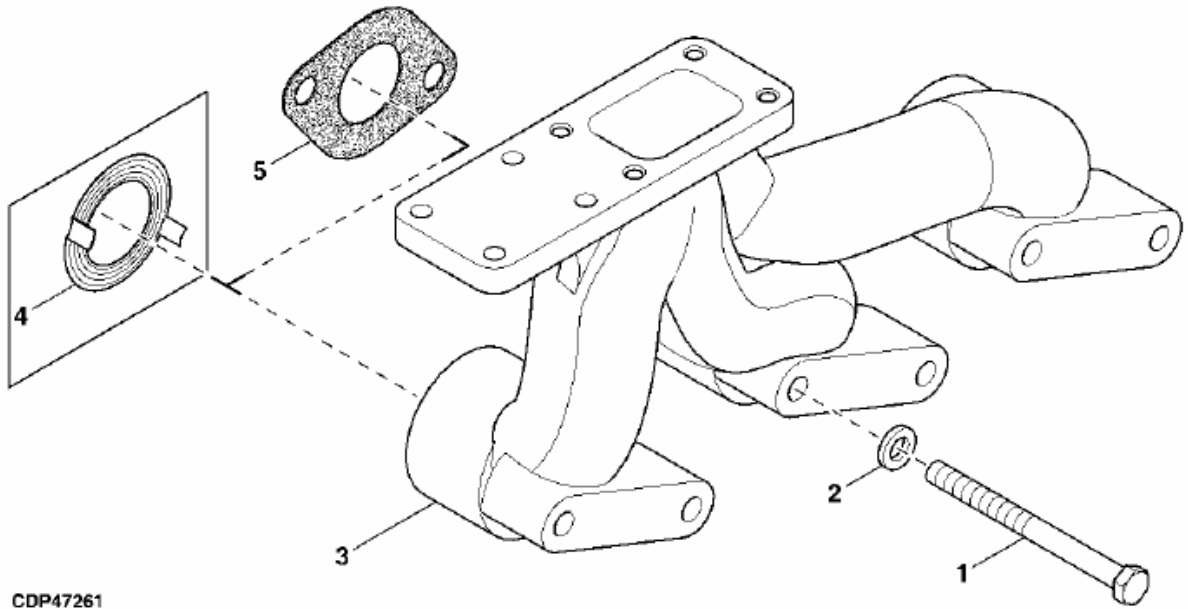
Month/Year

02 / 2006



T7074

CDP47261 -UN-12OCT05



CDP47261

NOTE

CD3029TF270

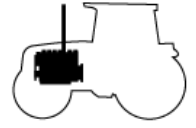
FIG 132

NO FUEL PUMP, CLOSING PLATE

P1

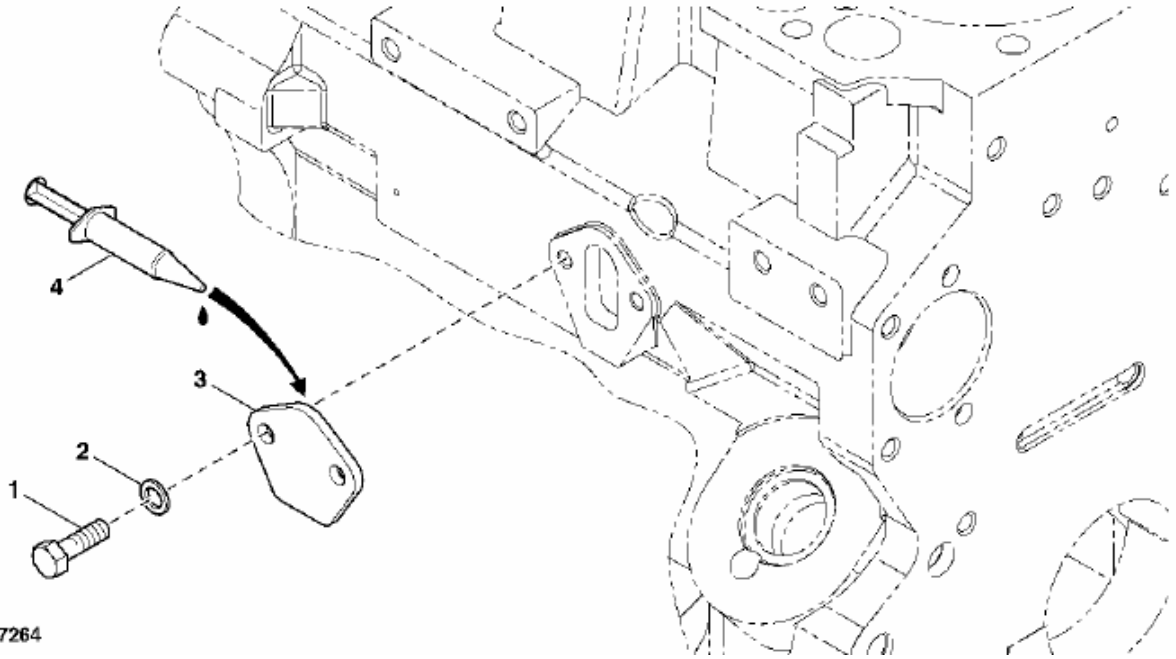
Month/Year

02 / 2006



T7074

CDP47264 -UN-12OCT05



CDP47264

NOTE

CD3029TF270

FIG 133

FUEL FILTER

P1

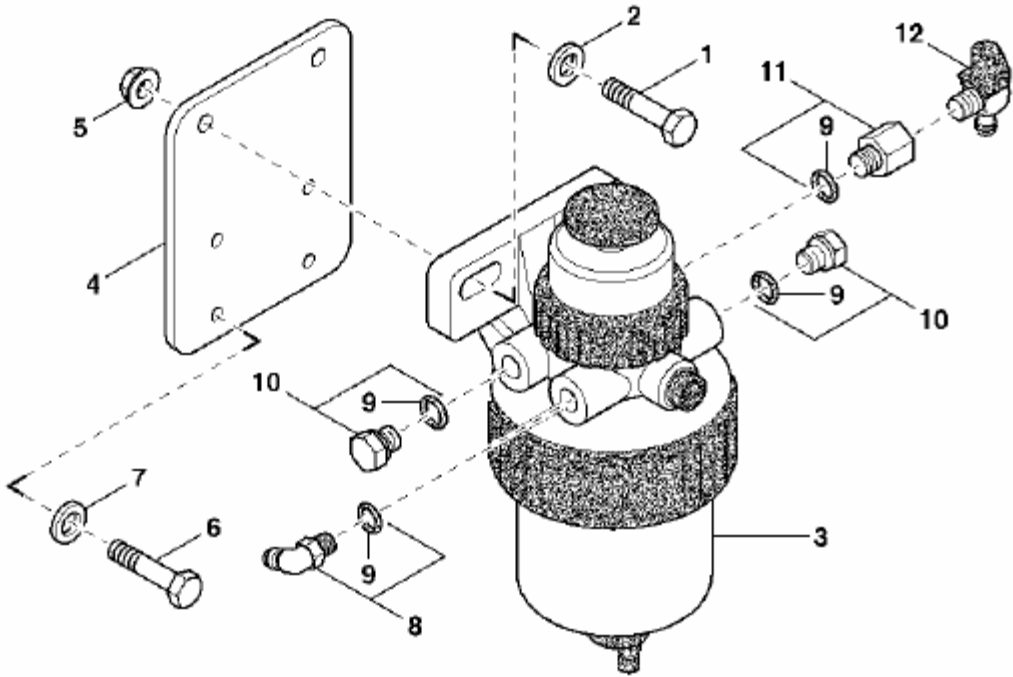
Month/Year

02 / 2006



T7074

CDP46455A -UN-12OCT05



CDP46455A

NOTE

CD3029TF270

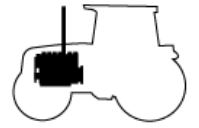
FIG 134

FUEL FILTER (HAND PRIMER)

P1

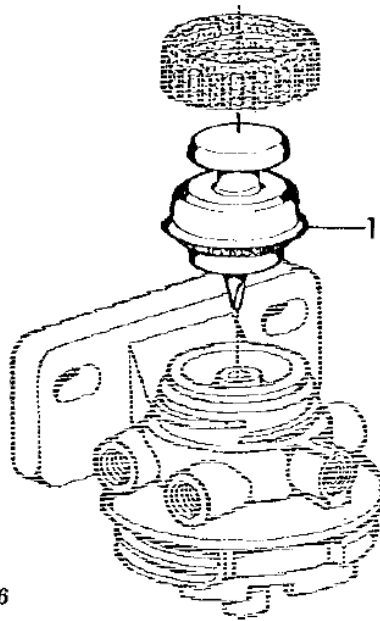
Month/Year

02 / 2006



T7074

CD39026 -UN-01JAN94



CD39026

NOTE

CD3029TF270

FIG 135

FINAL FUEL FILTER

P1

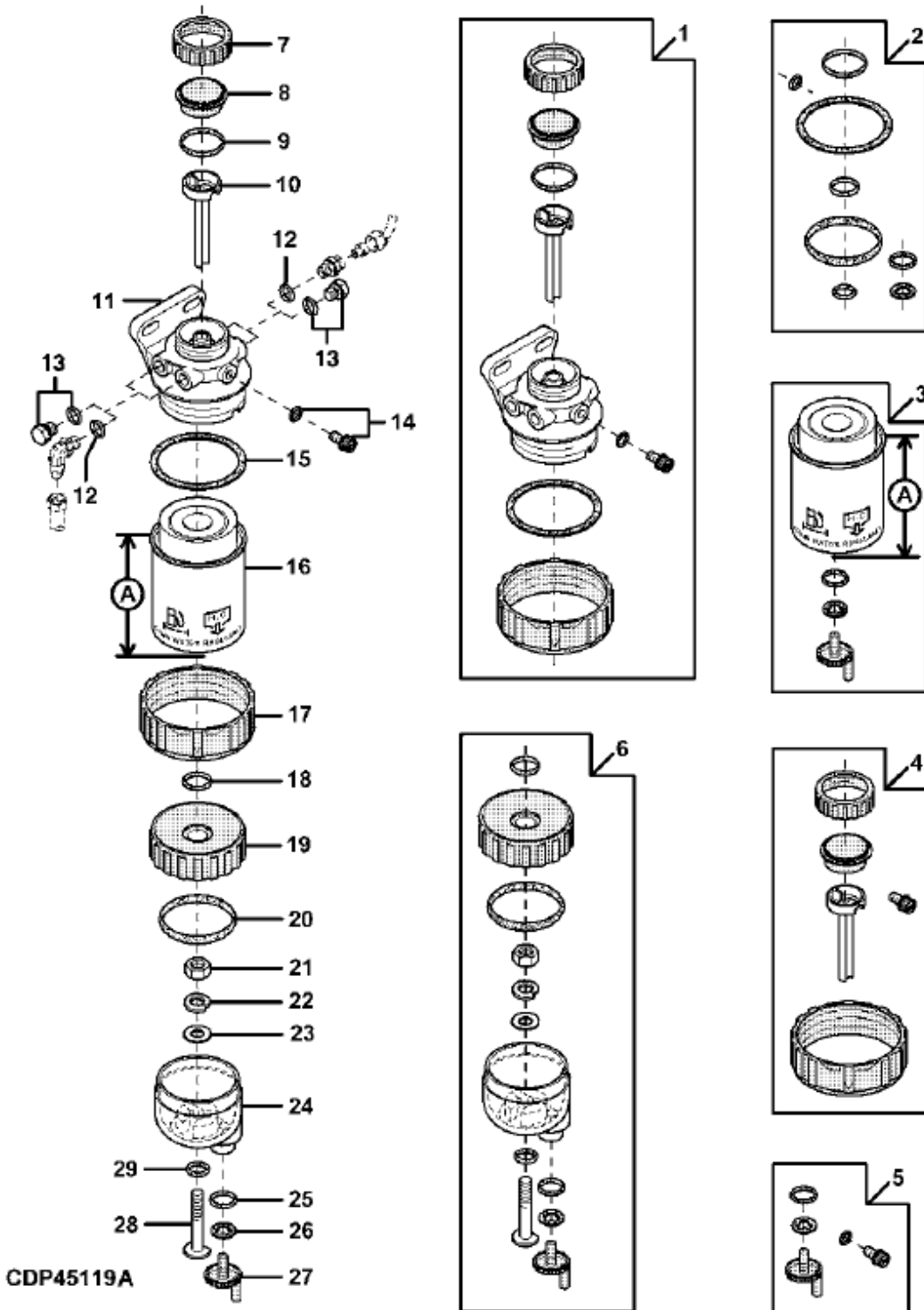
Month/Year

02 / 2006



T7074

CDP45119A -UN-05JUN02



CDP45119A

NOTE CD3029TF270

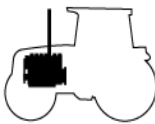
FIG 135 T7074		FINAL FUEL FILTER			P1	Month / Year 02 / 2006	
<i>KEY NO.</i>	<i>PART NO.</i>	<i>DESCRIPTION</i>	<i>SPEC.</i>	<i>QTY.</i>		<i>REPAIR</i>	
135 001	RE500160	KIT			AR		
135 002	RE516553	KIT			AR		
135 003	RE62418	FUEL FILTER	A = 91MM	1	A		
135 003	RE62419	FUEL FILTER	A = 109MM	1			
135 004	RE526834	KIT			AR		
135 005	RE60854	KIT			AR		
135 006	RE51650	SEDIMENT BOWL			AR		
135 007	RETAINER	NSEP	1			
135 008	RETAINER	NSEP	1			
135 009	RE516513	KIT		1			
135 010	RETAINER	NSEP	1			
135 011	FILTER HEAD	1/2"-20UNF PORTS, NSEP	1			
135 012	R26286	O-RING	10.516 X 1.829 MM	2			
135 013	RE56323	PLUG	1/2"-20UNF	2			
135 014	DRAIN PLUG	NSEP	1			
135 015	R113565	SEAL		1			
135 016	FILTER ELEMENT	NSEP	1			
135 017	RETAINER	NSEP	1			
135 018	O-RING	NSEP	1			
135 019	WING NUT	NSEP	1			
135 020	O-RING	NSEP	1			
135 021	NUT	NSEP	1			
135 022	LOCK WASHER	NSEP	1			
135 023	WASHER	NSEP	1			
135 024	SEDIMENT BOWL	NSEP	1			
135 025	O-RING	NSEP	1			
135 026	GASKET	NSEP	1			
135 027	DRAIN PLUG	NSEP	1			
135 028	SCREW	NSEP	1			
135 029	O-RING	NSEP	1			
NOTE CD3029TF270E							

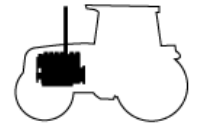
FIG 136

FUEL INJECTION PUMP

P1

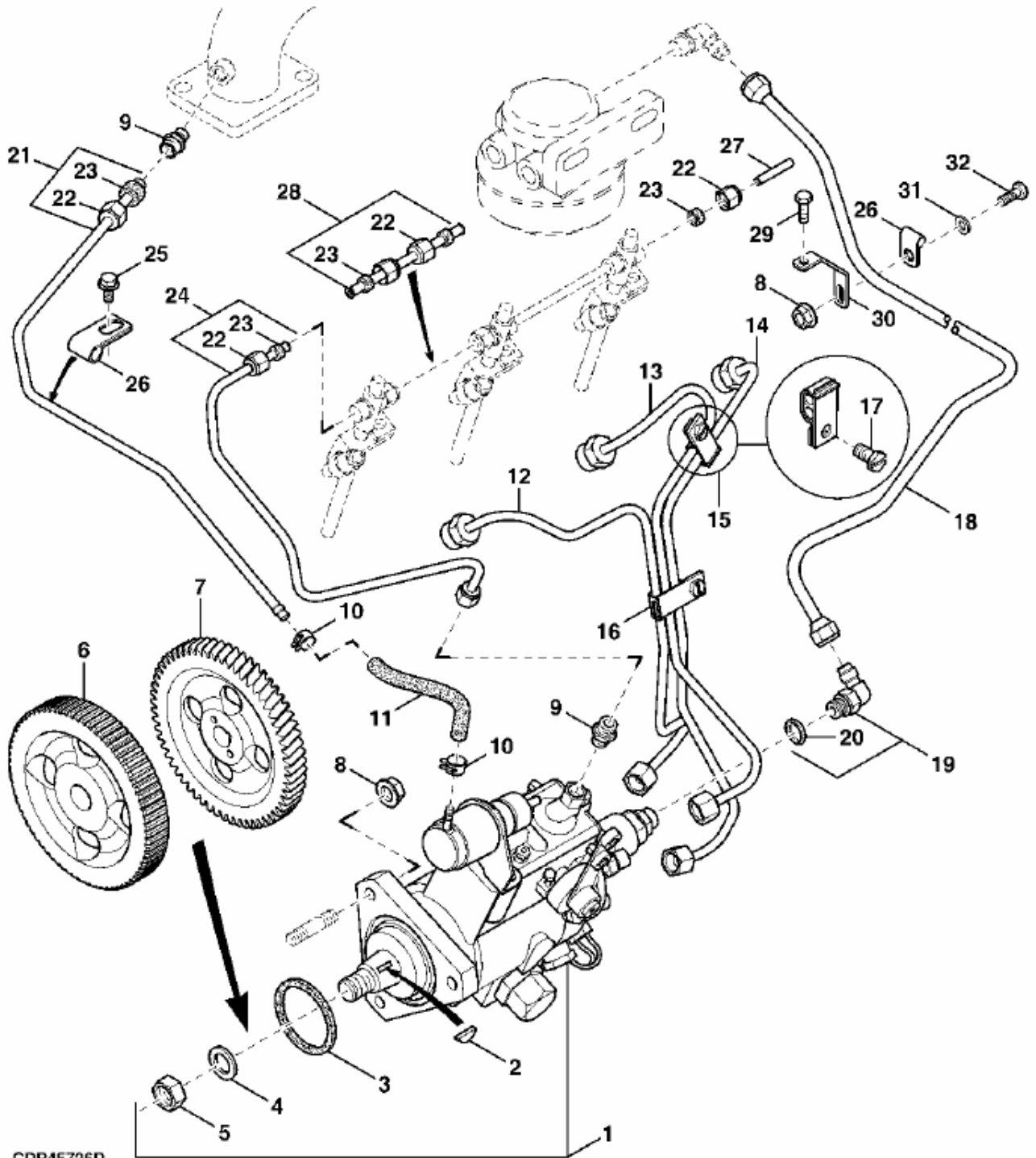
Month/Year

02 / 2006



T7074

CDP45726D -UN-14OCT05



CDP45726D

NOTE CD3029TF270

FIG 137

FUEL INJECTION PUMP LINKAGE

P1

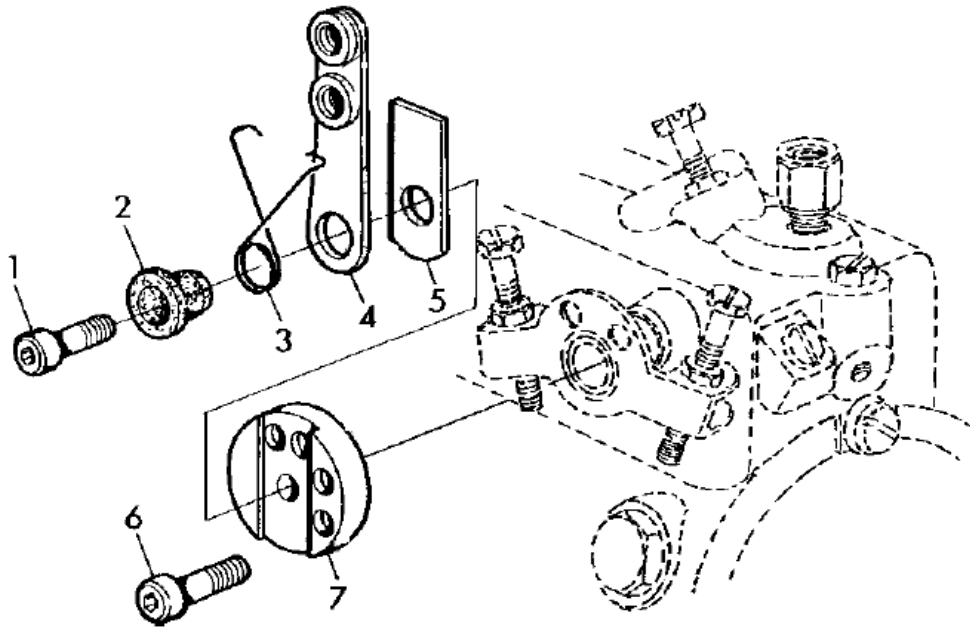
Month/Year

02 / 2006



T7074

CD37292 -UN-17FEB95



CD37292

NOTE

CD3029TF270

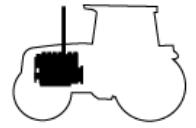
FIG 139

INJECTION NOZZLE

P1

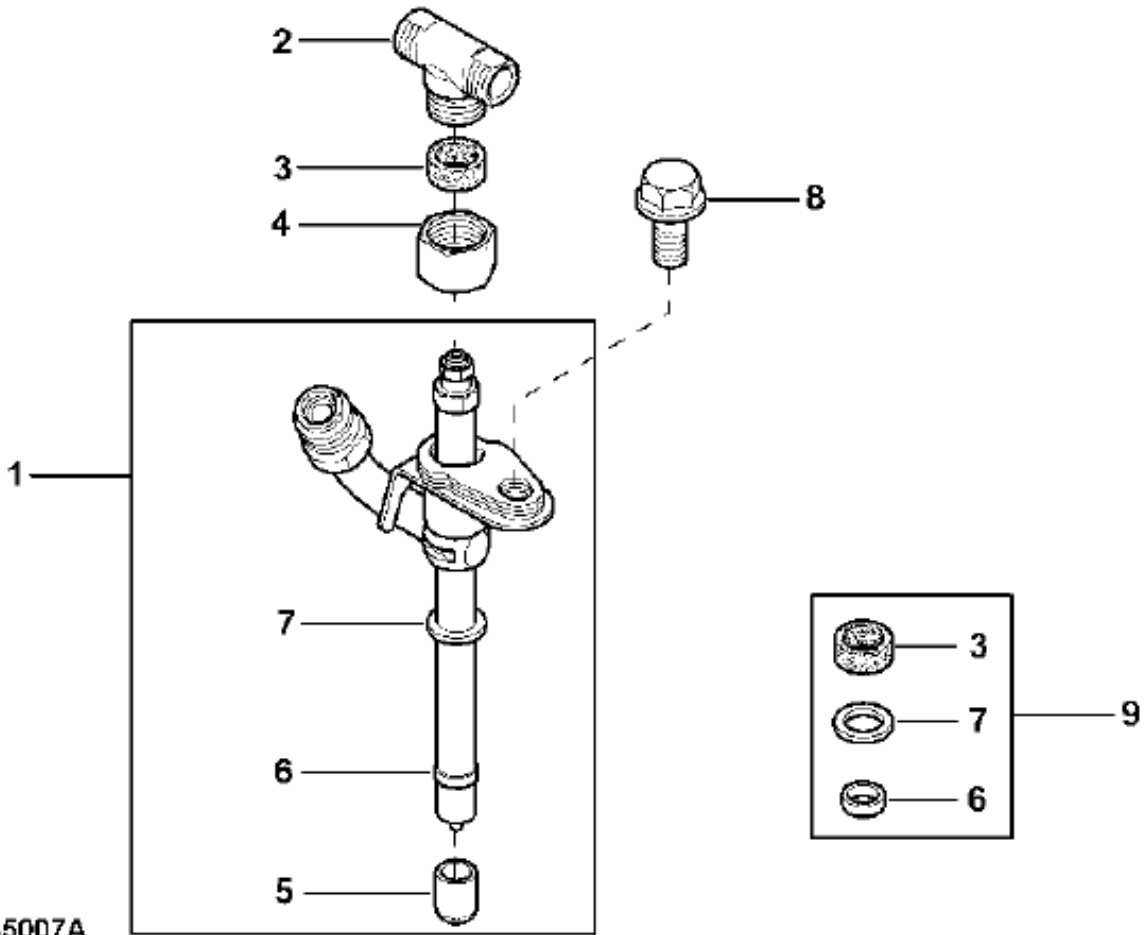
Month/Year

02 / 2006



T7074

CDP45007A -UN-13OCT03



CDP45007A

NOTE

CD3029TF270

FIG 140

COLD ADVANCE SYSTEM, KIT

P1

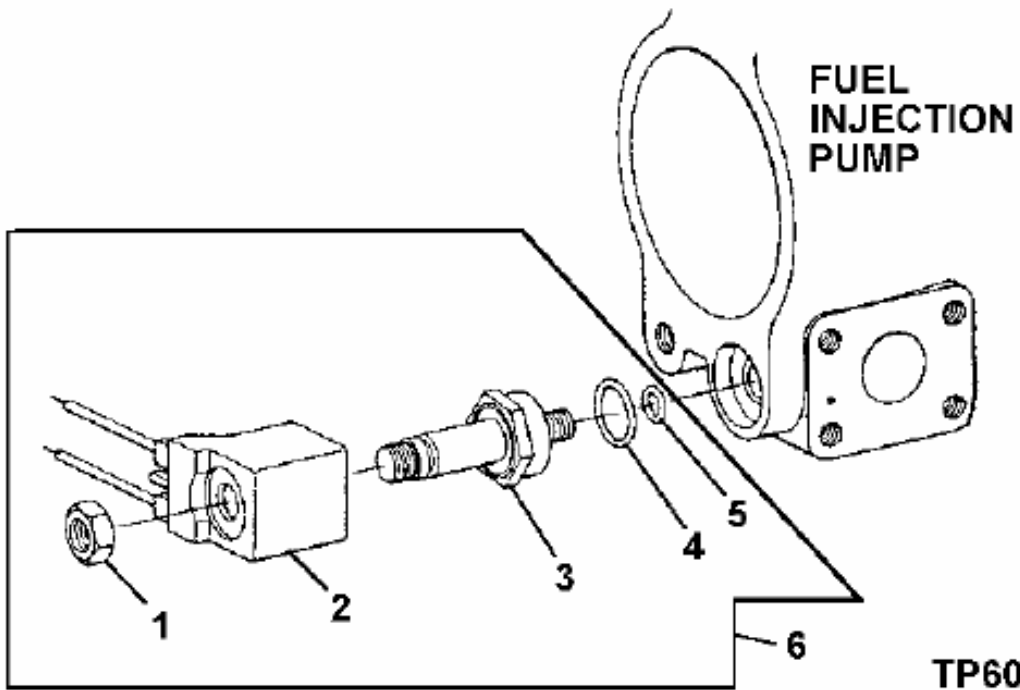
Month/Year

02 / 2006



T7074

TP60760 -UN-24SEP98



TP60760

NOTE

CD3029TF270

FIG 141

WIRING HARNESS & SENSOR

P1

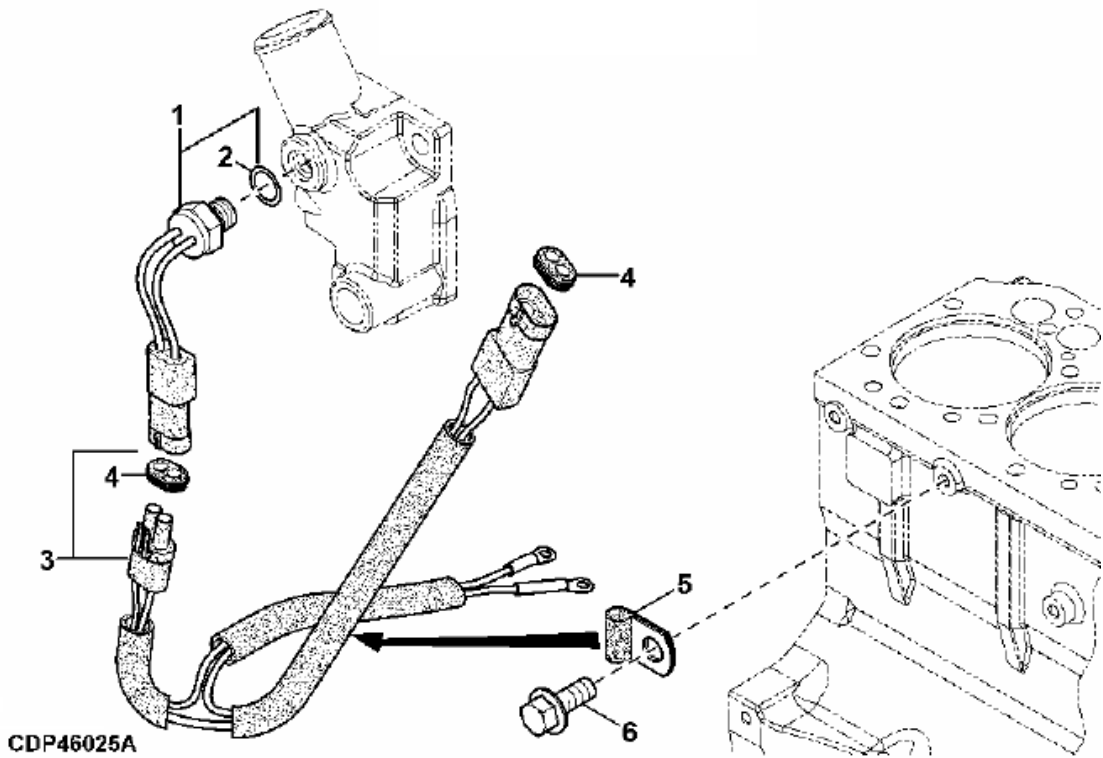
Month/Year

02 / 2006



T7074

CDP46025A -UN-05SEP05



NOTE

CD3029TF270

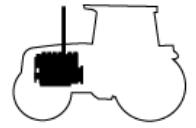
FIG 142

TURBOCHARGER

P1

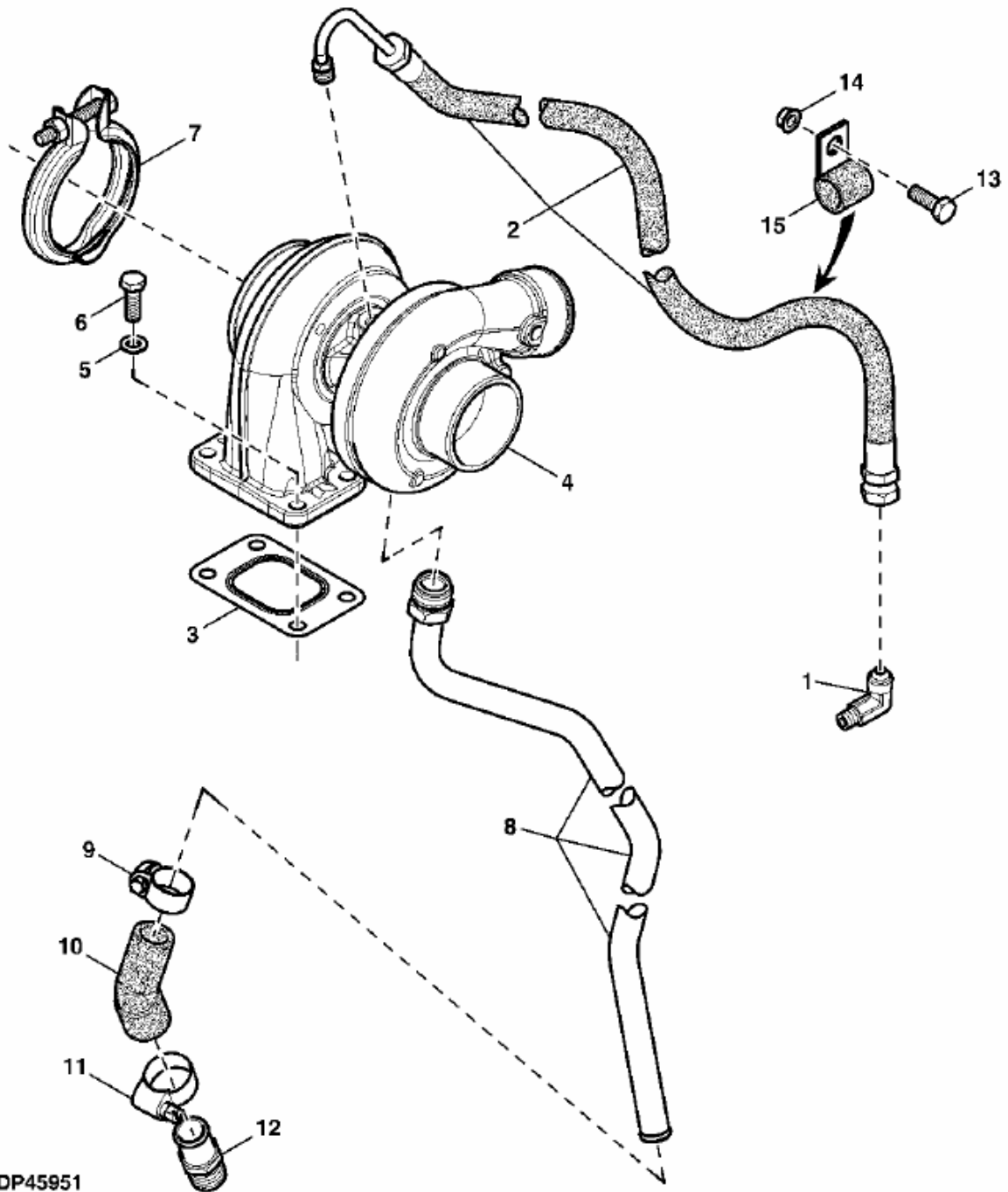
Month/Year

02 / 2006



T7074

CDP45951A -UN-14OCT05



CDP45951

NOTE

CD3029TF270

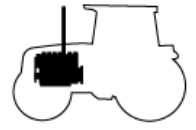
FIG 143

ALTERNATOR ADJUSTING STRAP&BRACKETS

P1

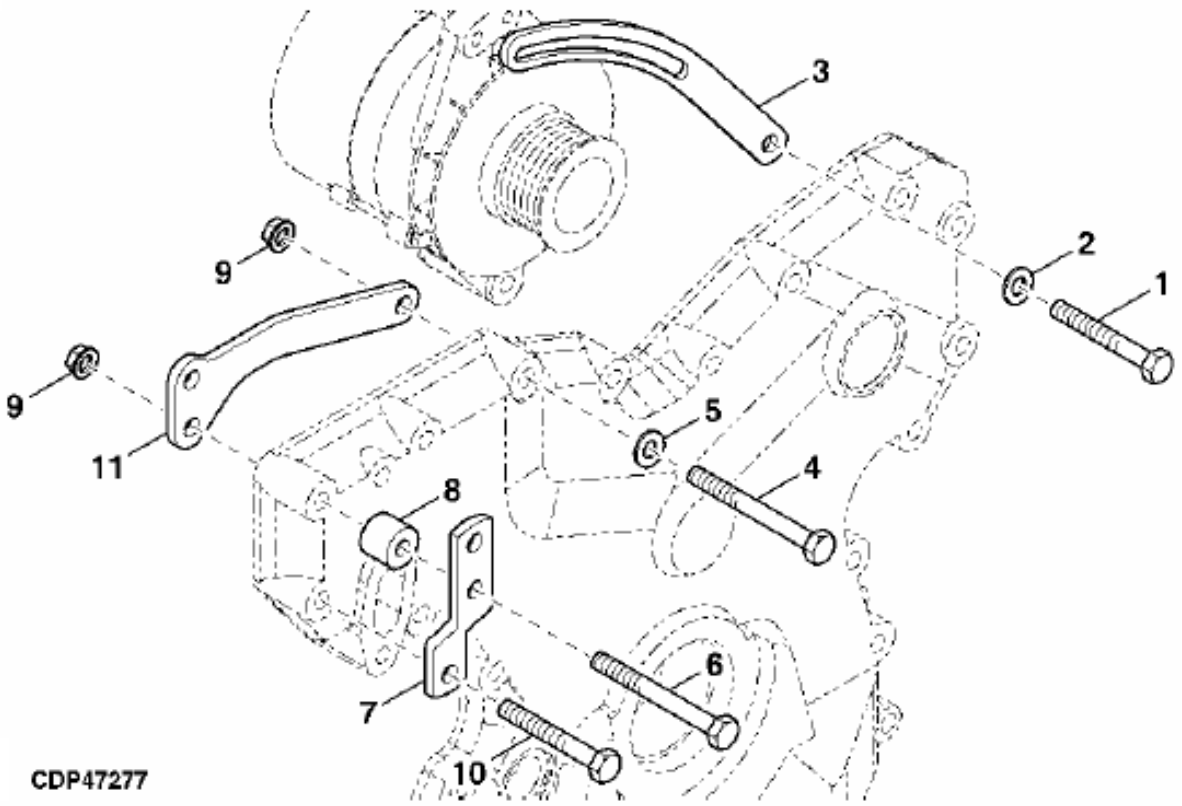
Month/Year

02 / 2006



T7074

CDP47277 -UN-17OCT05



CDP47277

NOTE

CD3029TF270

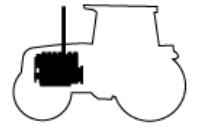
FIG 144

START MOTOR

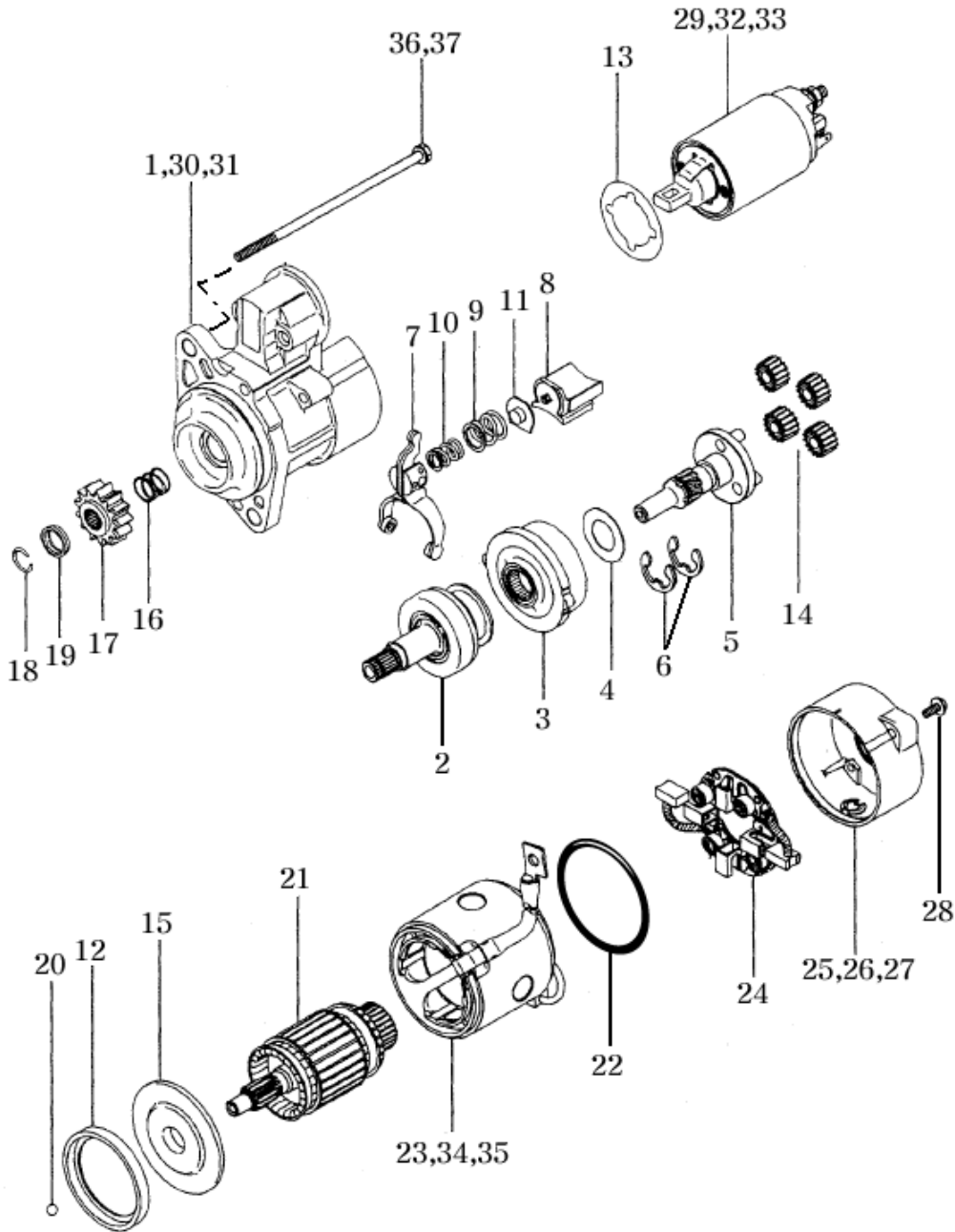
P1

Month/Year

02 / 2006



T7074



NOTE

CD3029TF270

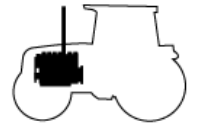
FIG 145

ALTERNATOR

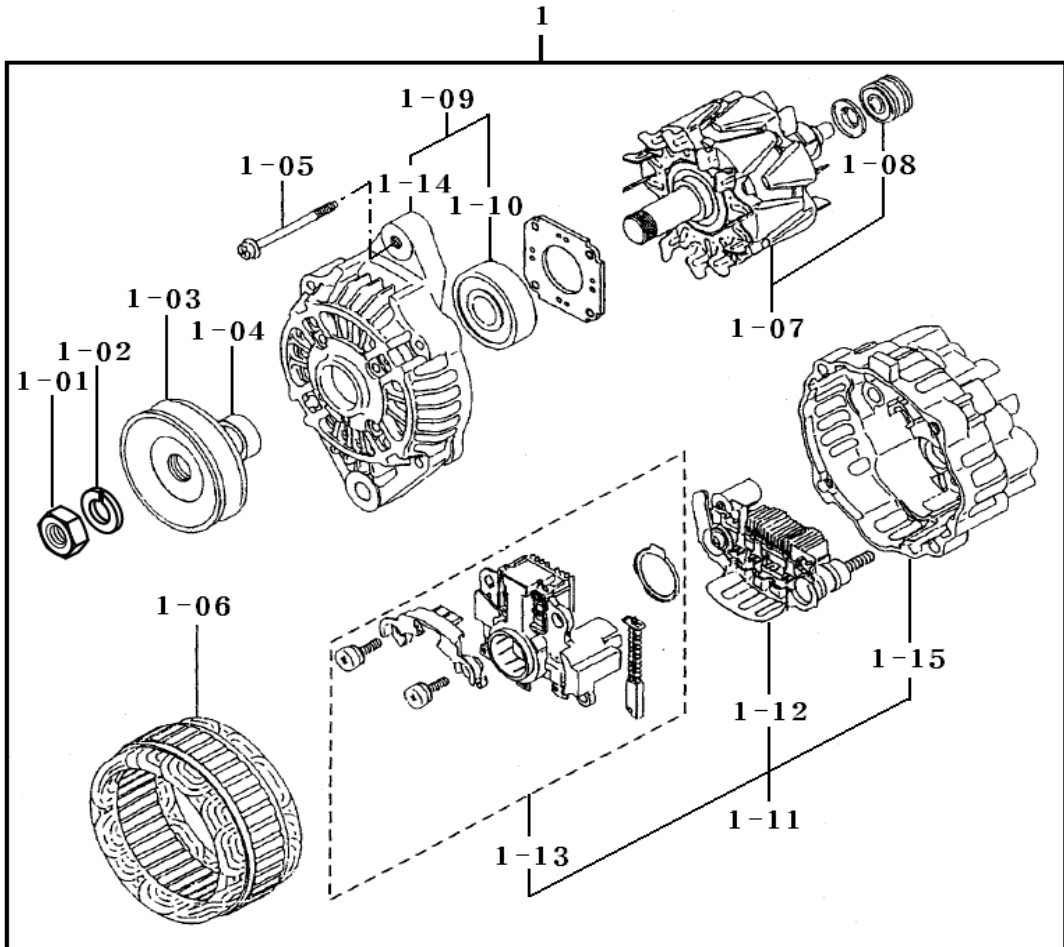
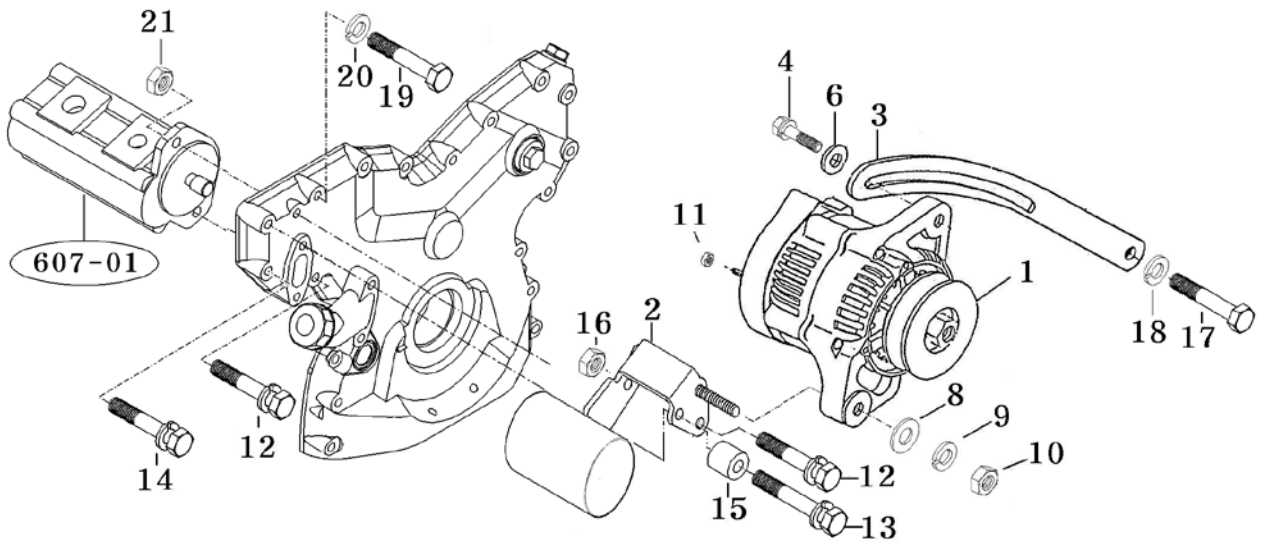
P1

Month/Year

02 / 2006



T7074



NOTE

CD3029TF270

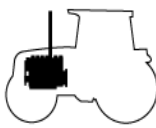
FIG 145		ALTERNATOR				P1	Month / Year	
T7074							02 / 2006	
KEY NO.	PART NO.	DESCRIPTION	SPEC.	QTY.	REPAIR	ENG. SERIAL NO	REMARKS	
145 001	16991032030	ALTERNATOR COMP		1		B		
145 00101	NUT , HEX		1				
145 00102	WASHER-SPRING		1				
145 00103	16991032040	PULLEY		1				
145 00104	SPACER		1				
145 00105	BOLT , THROUGH		4				
145 00106	STATOR ASSY		1				
145 00107	ROTOR ASSY		1				
145 00108	16991032050	BEARING		1				
145 00109	BRACKET ASSY,FRONT		1				
145 00110	16991032060	BEARING		1				
145 00111	BRACKET ASSY,REAR		1				
145 00112	16991032100	RECTIFITER ASSY		1				
145 00113	16991032090	REGULATOR ASSY		1				
145 00114	16991032070	BRACKET,FRONT		1				
145 00115	16991032080	BRACKET,REAR		1				
145 002	17401032200D	BRACKET		1				
145 002A	17681032200D	BRACKET COMP		1				
145 003	R91453	BRACKET		1				
145 004	V2173608025	BOLT	M8X25	1				
145 006	35602010150	WASHER	M10	1				
145 008	V4111600100	WASHER-PLAIN	M10	1				
145 009	V4011600100	WASHER-SPRING	M10	1				
145 010	V3003600100	NUT	M10	1				
145 011	V3003600050	NUT	M5	1				
145 012	19M7809	SCREW	M10 X 70	2				
145 013	19H1912	CAP SCREW	3/8" X 3-1/2"	1				
145 014	19H1819	CAP SCREW	3/8" X 2-1/8"	1				
145 015	T14040	BUSHING	13/32" X 7/8" X 3/4"	1				
145 016	N10215	LOCK NUT	3/8"	2				
145 017	19H3065	CAP SCREW	3/8" X 2"	1				
145 018	12H304	LOCK WASHER	3/8"	1				
145 019	19H3031	CAP SCREW	3/8" X 2-1/2"	1				
145 020	24M7106	WASHER	10 X 18 X 2.500 mm	1				
145 021	14M7274	NUT	M10	2				
NOTE	CD3029TF270E							

FIG 201

AIR CLEANER

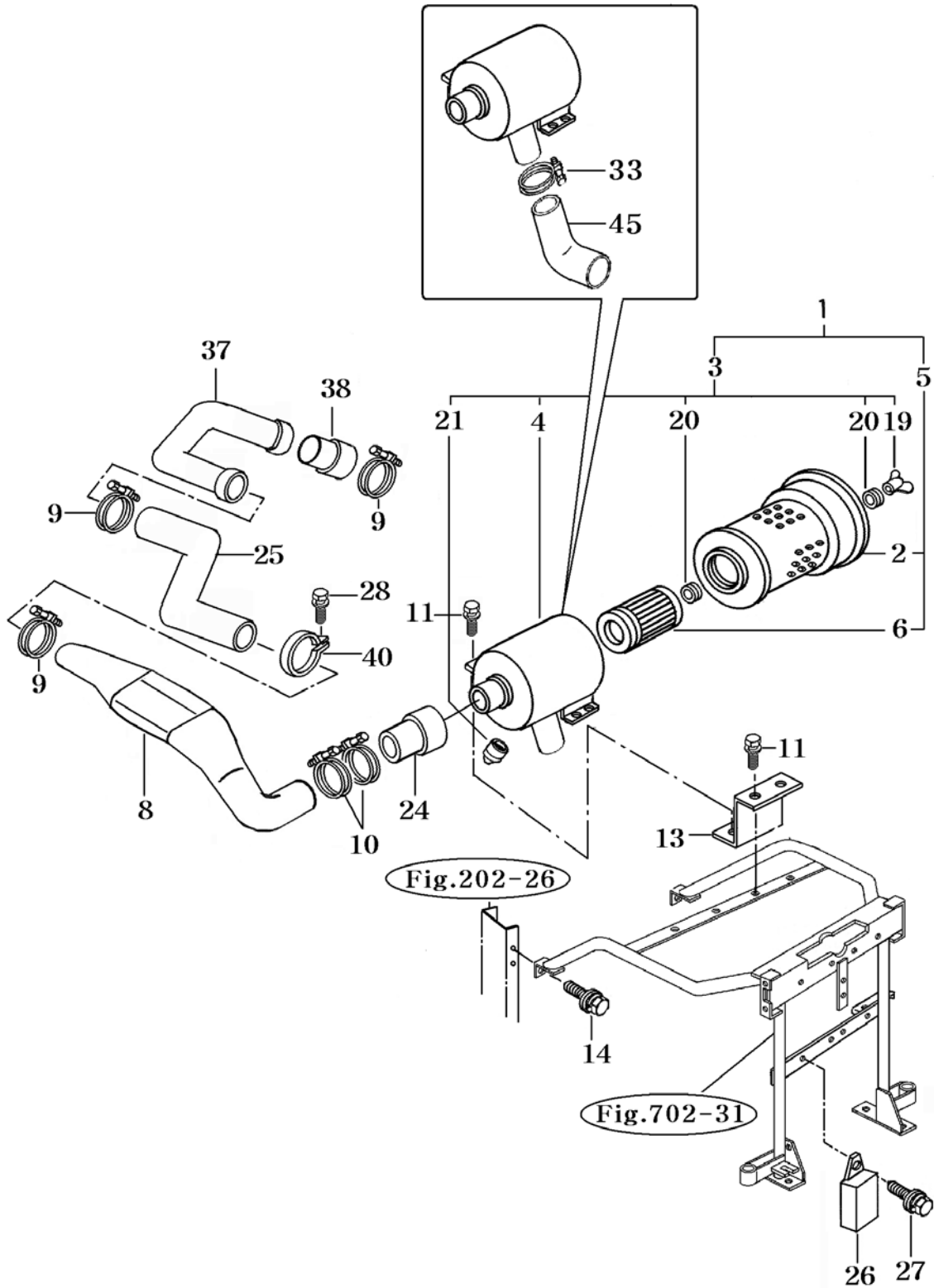
P1

Month/Year

02 / 2006



T7074



NOTE

KEY NO.		PART NO.	DESCRIPTION	SPEC.	Q'TY.	REPAIR	EFFECTIVE DATE	REMARKS
201 001	17681032000	AIR CLEANER ASSY			1			
201 002	17401012221	ELEMENT , OUT			1	A		
201 003	17681032300	BODY ASSY			1			
201 004	17681032100	BODY COMP			1			
201 005	17401000001	ELEMENT SET			1	A		
201 006	17401012231	ELEMENT , IN			1	A		
201 008	16991130010	PIPE , INLET			1			
201 009	14401010140	CLAMP , 82			3			
201 010	14401010140	CLAMP , 82			2			
201 011	V2183608016	BOLT , HEX/SP	M8X16		4			
201 013	176811322000	BRACKET . CLEANER			1			
201 014	V2173608016	BOLT , HEX/S	M8X16		2			
201 019	14421012381	NUT			1			
201 020	14161010110	PACKING			2			
201 021	S2424917010	VALVE			1			
201 024	15641030022	GASKET			1	B		
201 025	17681033001	HOSE , INLET			1			
201 026	17686641110	RELAY , PREHEAT			1	C		
201 027	V2193606016	BOLT , HEX/SPL	M6X16		1			
201 028	V2183608016	BOLT , HEX/SP	M8X16		1			
201 033	14401010140	CLAMP , WORM 82			1			
201 037	17681130020	PIPE . TURBO			1			
201 038	17681130030	GASKET			1	B		
201 040	174011323000	STAY . HOSE			1			
201 045	18991030010	HOSE , INLET			1			
NOTE								



FIG 202

RADIATOR

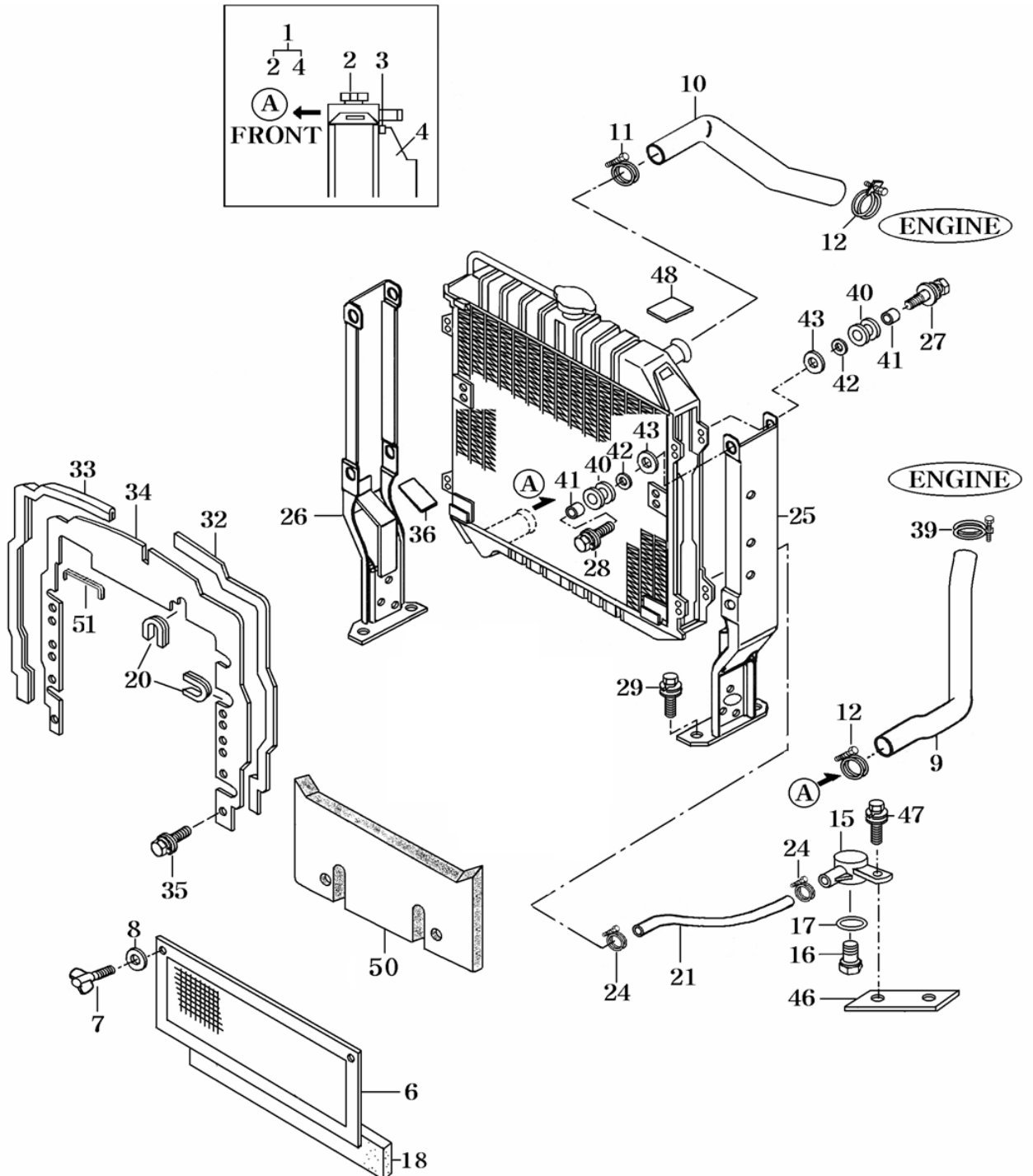
P1

Month/Year

02 / 2006



T7074



NOTE

FIG 203

MUFFLER & EXHAUST PIPE

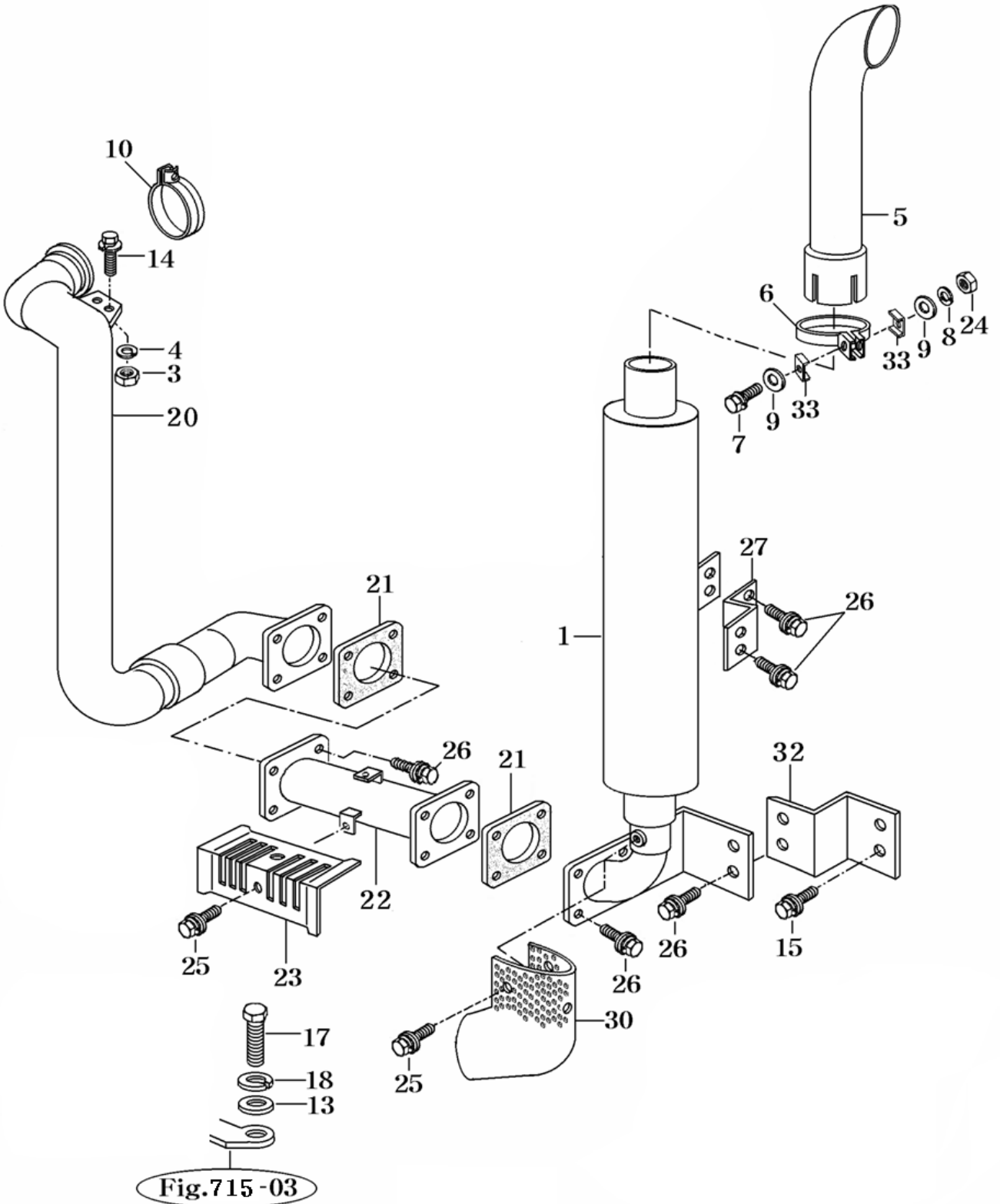
P1

Month/Year

02 / 2006



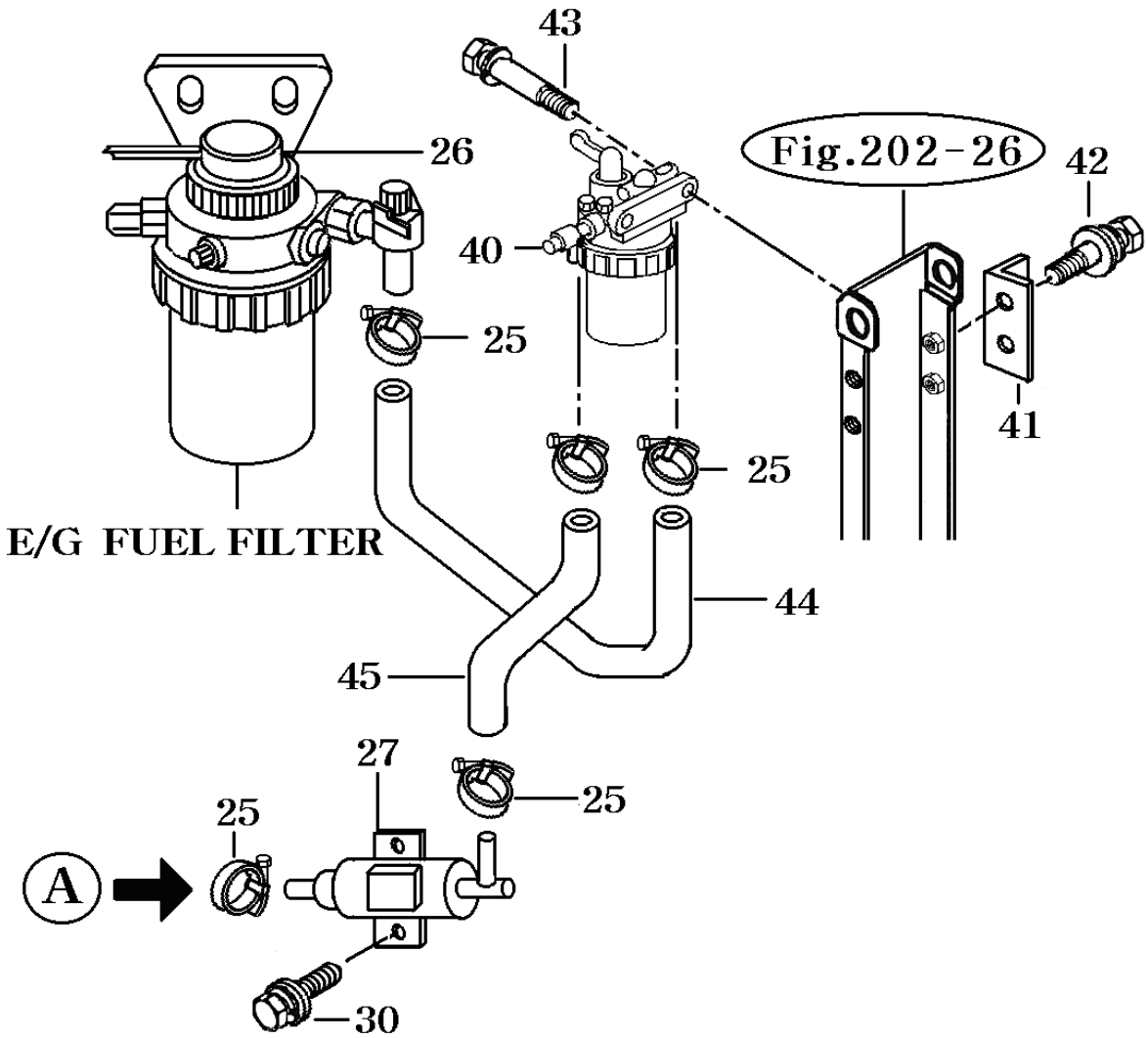
T7074



NOTE



T7074



E/G FUEL FILTER

NOTE

FIG 205

FUEL TANK

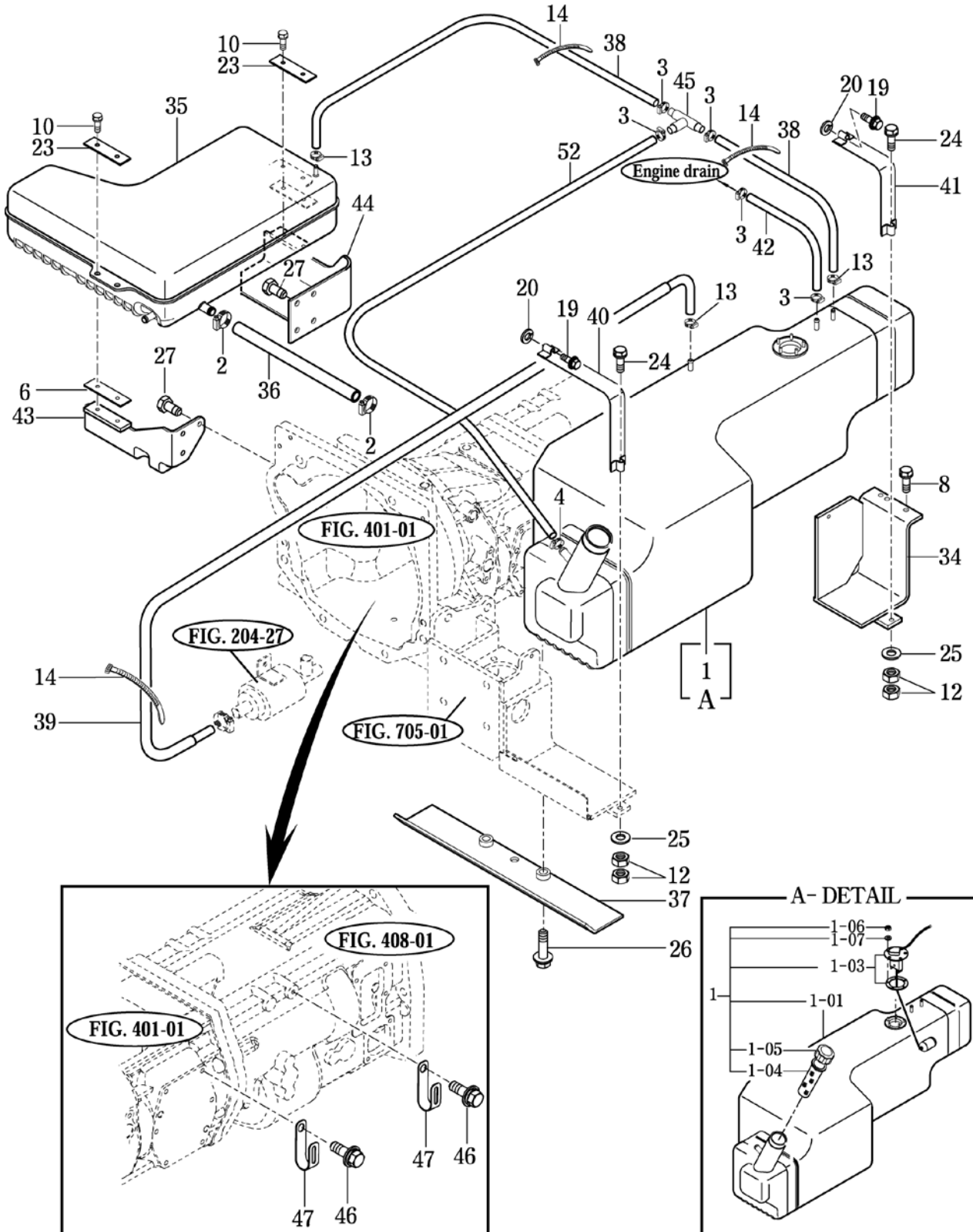
Month/Year

P1

02 / 2006



T7074



T7074-E-205

NOTE

FIG 205

FUEL TANK

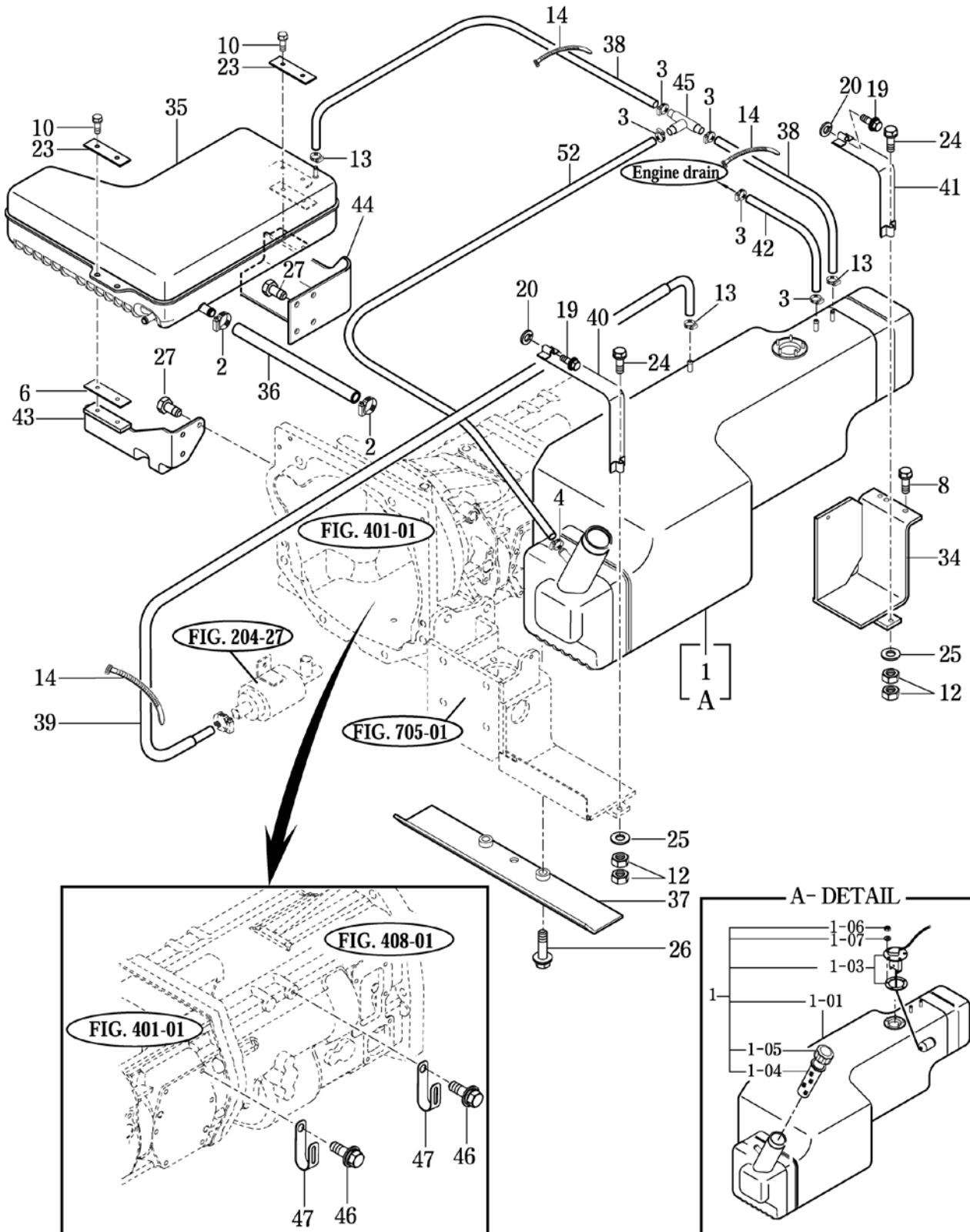
Month/Year

P2

02 / 2006



T7074



T7074-E-205

NOTE

FIG 206

ACCELERATOR

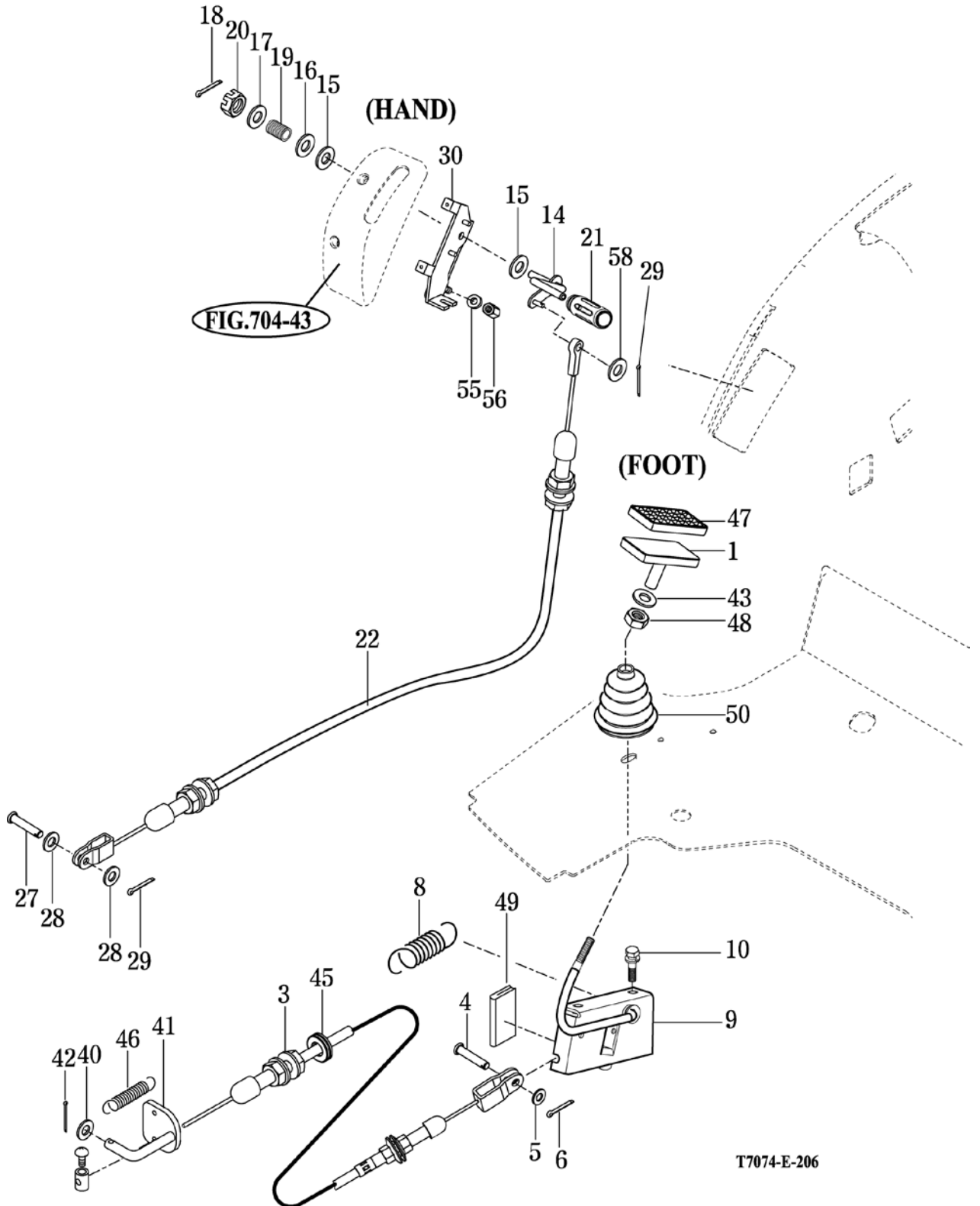
Month/Year

P1

02 / 2006



T7074



T7074-E-206

NOTE

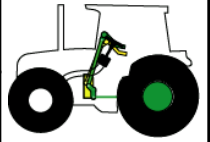
FIG 301

CLUTCH

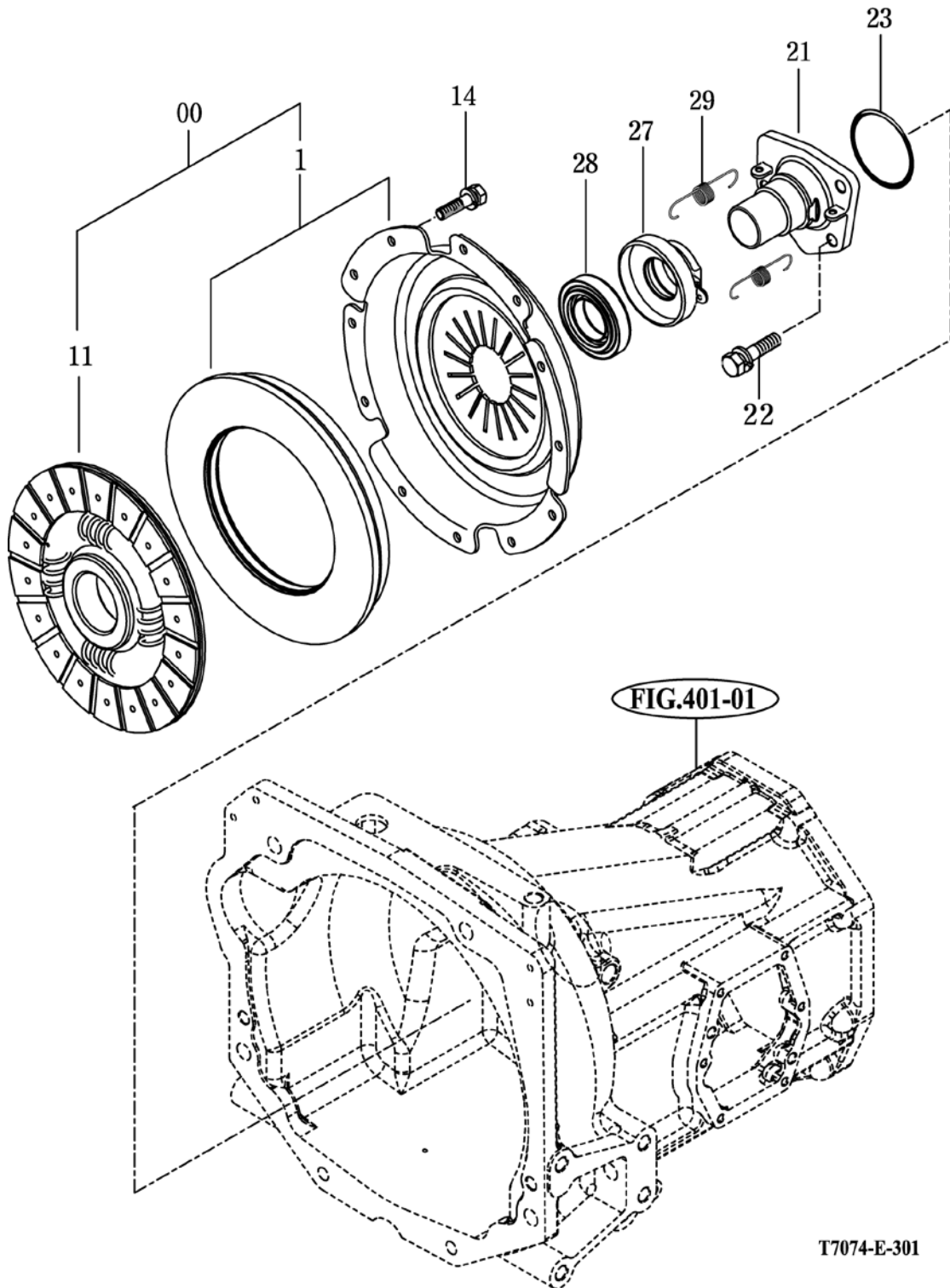
P1

Month/Year

02 / 2006



T7074



T7074-E-301

NOTE

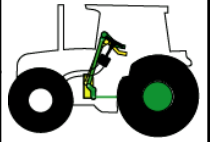
FIG 302

CLUTCH PEDAL

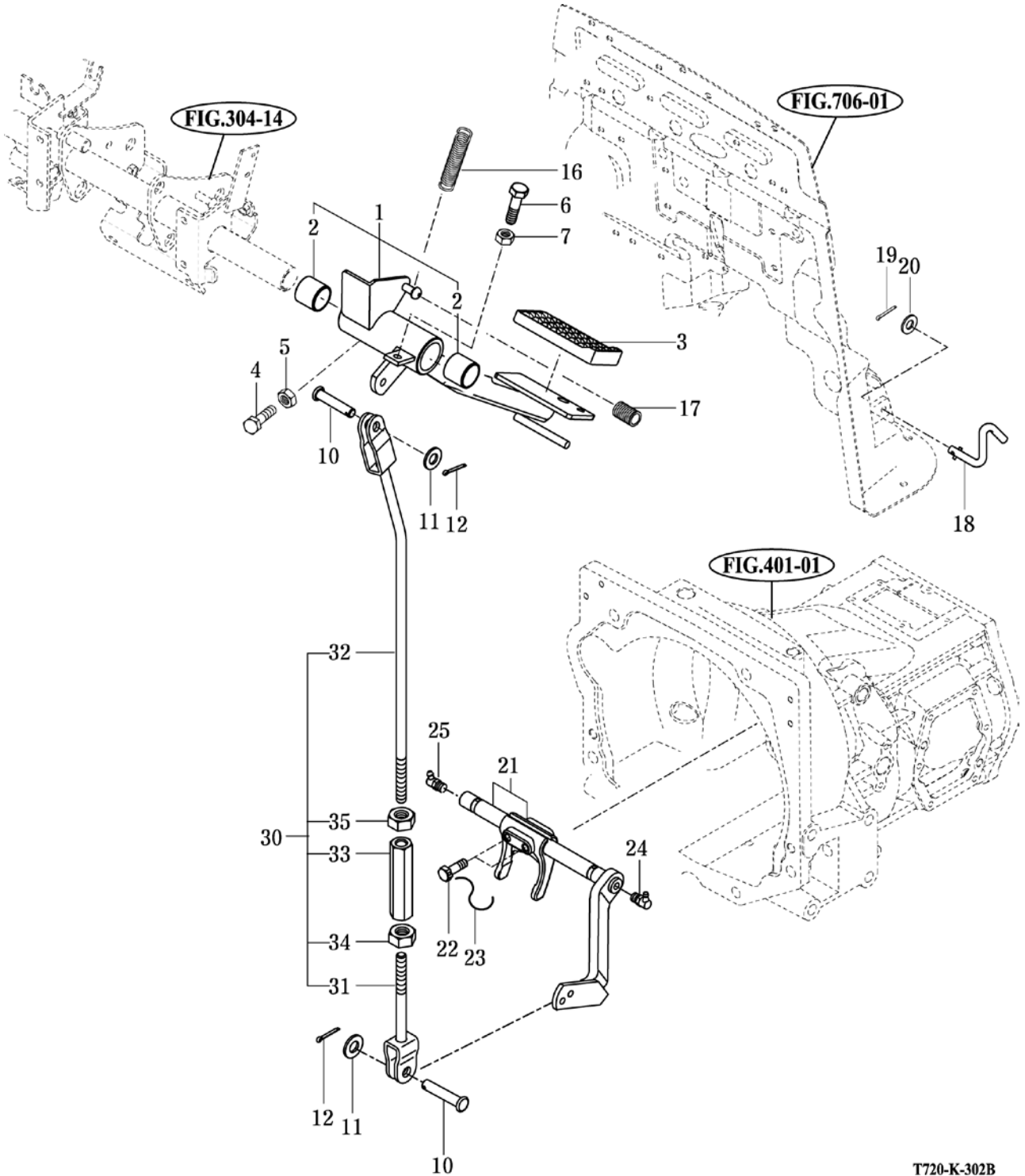
P1

Month/Year

02 / 2006



T7074



T720-K-302B

NOTE

FIG 303

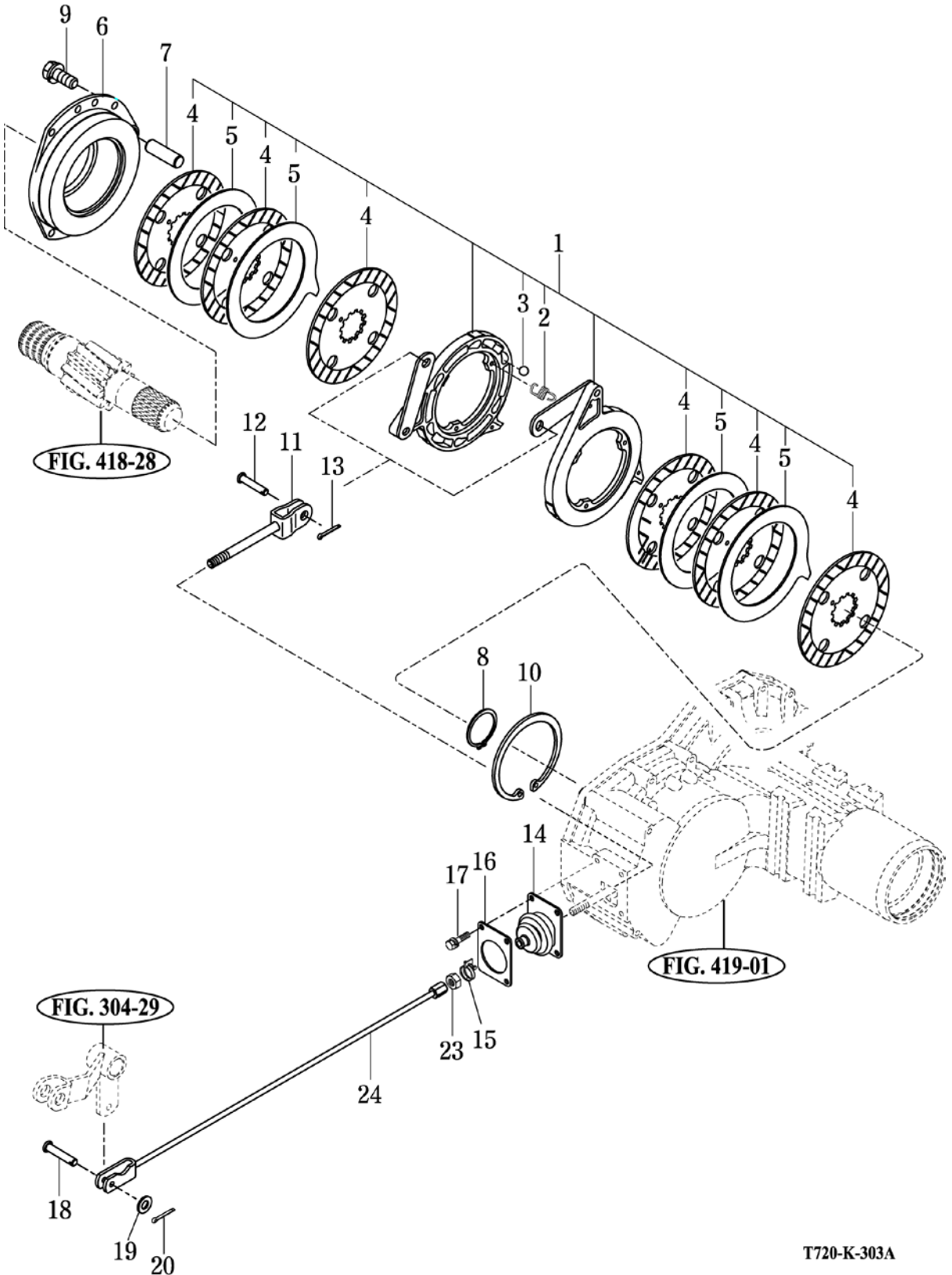
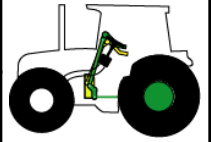
T7074

BRAKE

P1

Month/Year

02 / 2006



T720-K-303A

NOTE

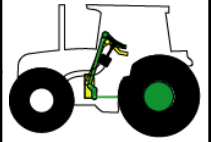
FIG 304

BRAKE PEDAL & LINKAGE

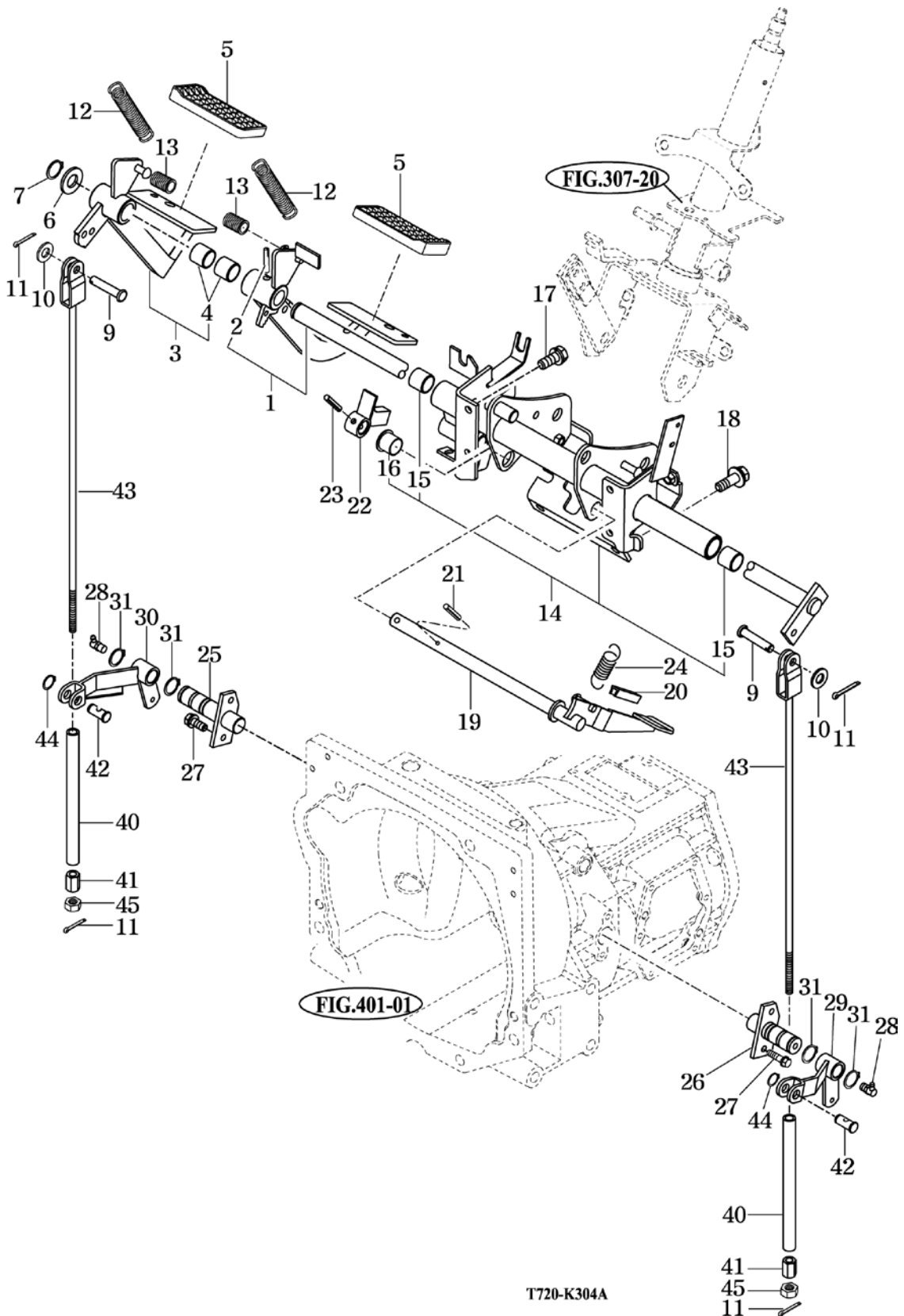
P1

Month/Year

02 / 2006



T7074



T720-K304A

NOTE

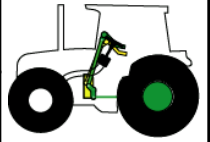
FIG 307

POWER STEERING WHEEL

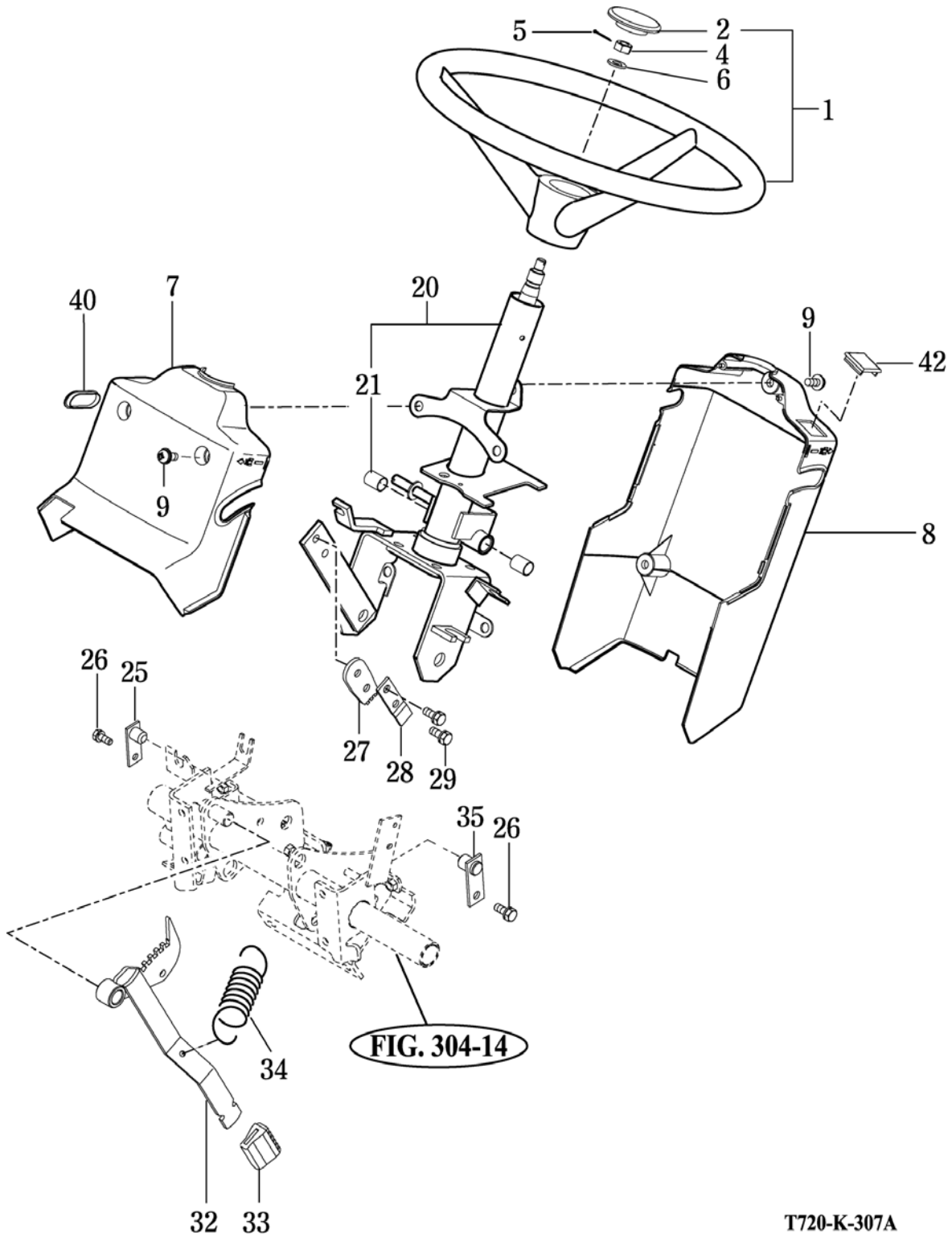
P1

Month/Year

02 / 2006



T7074



NOTE

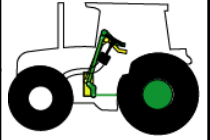
FIG 308

POWER STEERING VALVE

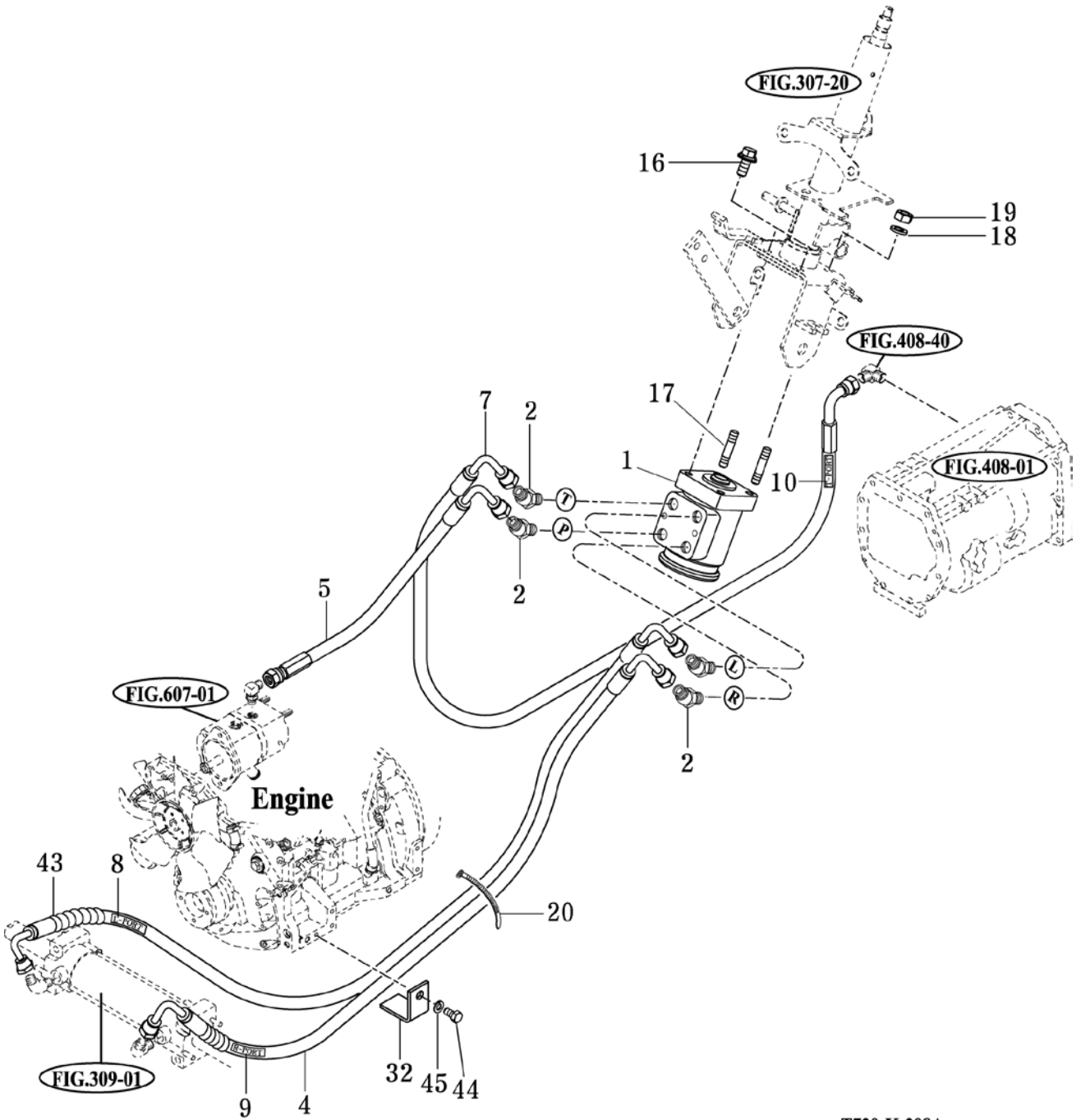
P1

Month/Year

02 / 2006



T7074



T720-K-308A

NOTE

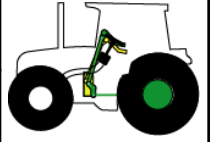
FIG 309

POWER STEERING CYLINDER

P1

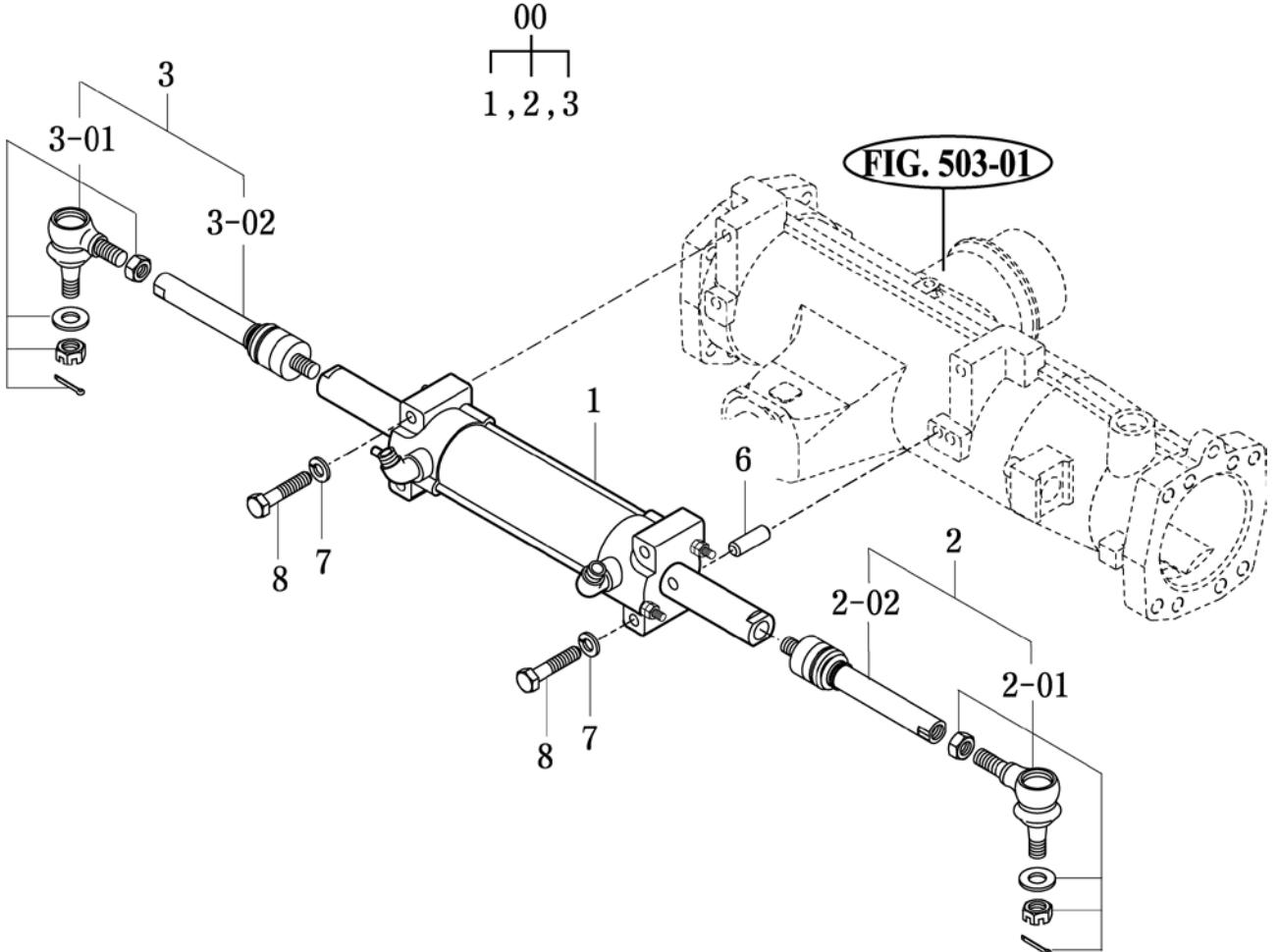
Month/Year

02 / 2006



T7074

00
├──
└──
1, 2, 3



T720-K-309A

NOTE

FIG 310

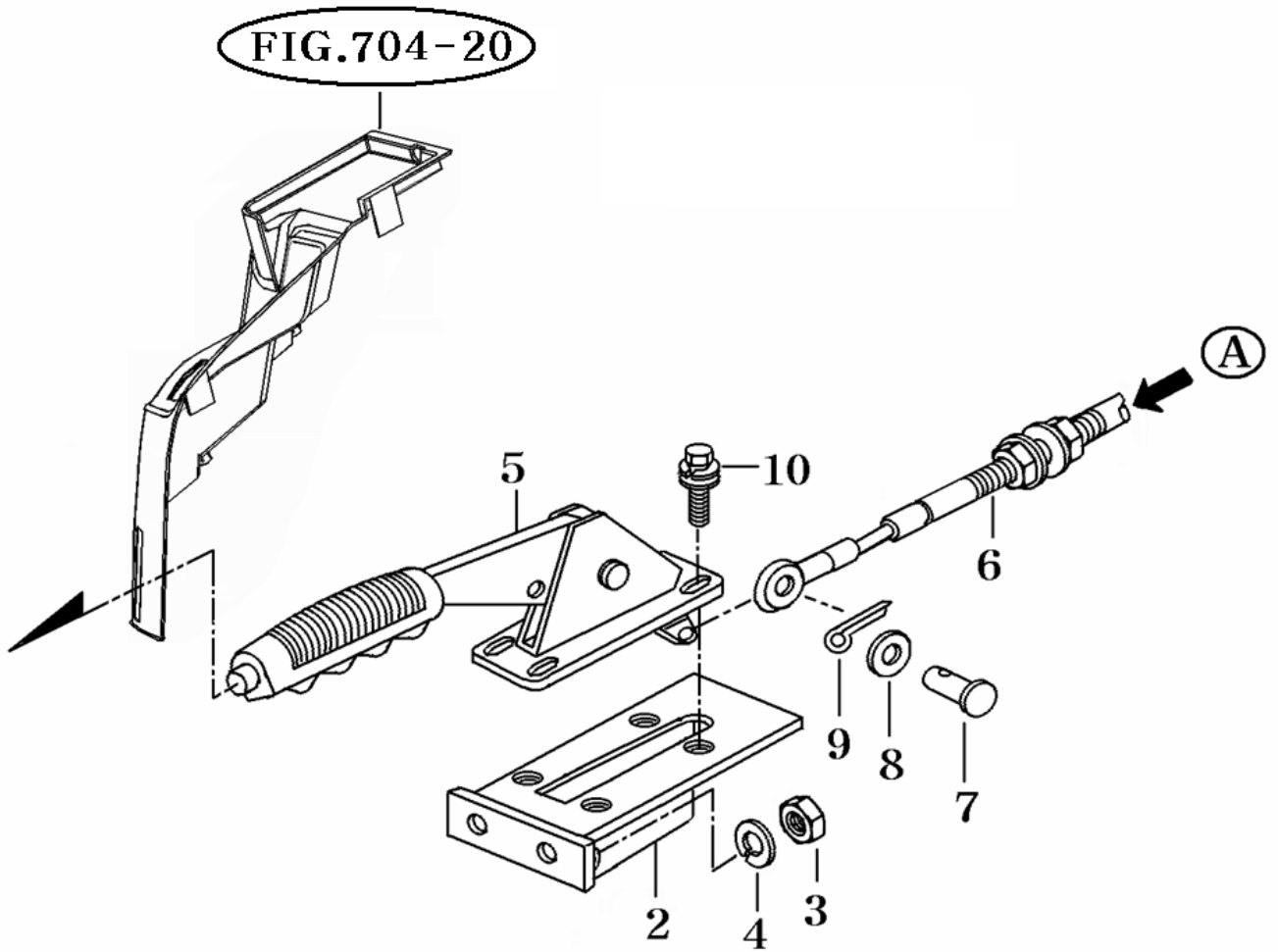
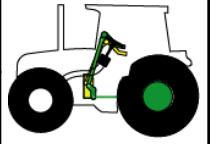
T7074

HAND BRAKE

P1

Month/Year

02 / 2006



NOTE

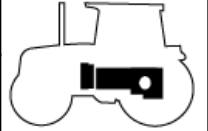
FIG 401

TRANSMISSION FRONT CASE

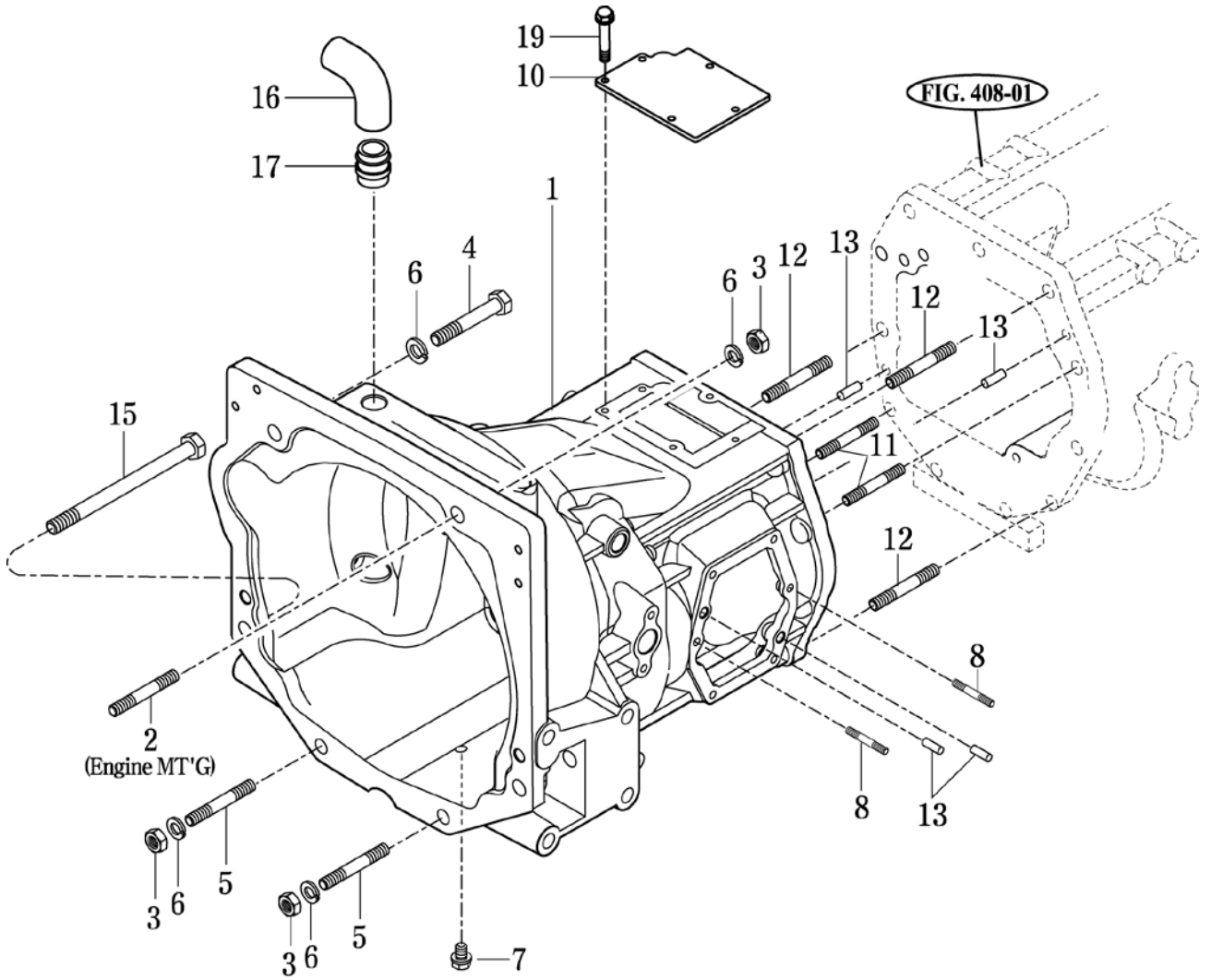
P1

Month/Year

02 / 2006



T7074



T720-K-401A

NOTE

FIG 403

MAIN CHANGE GEARS

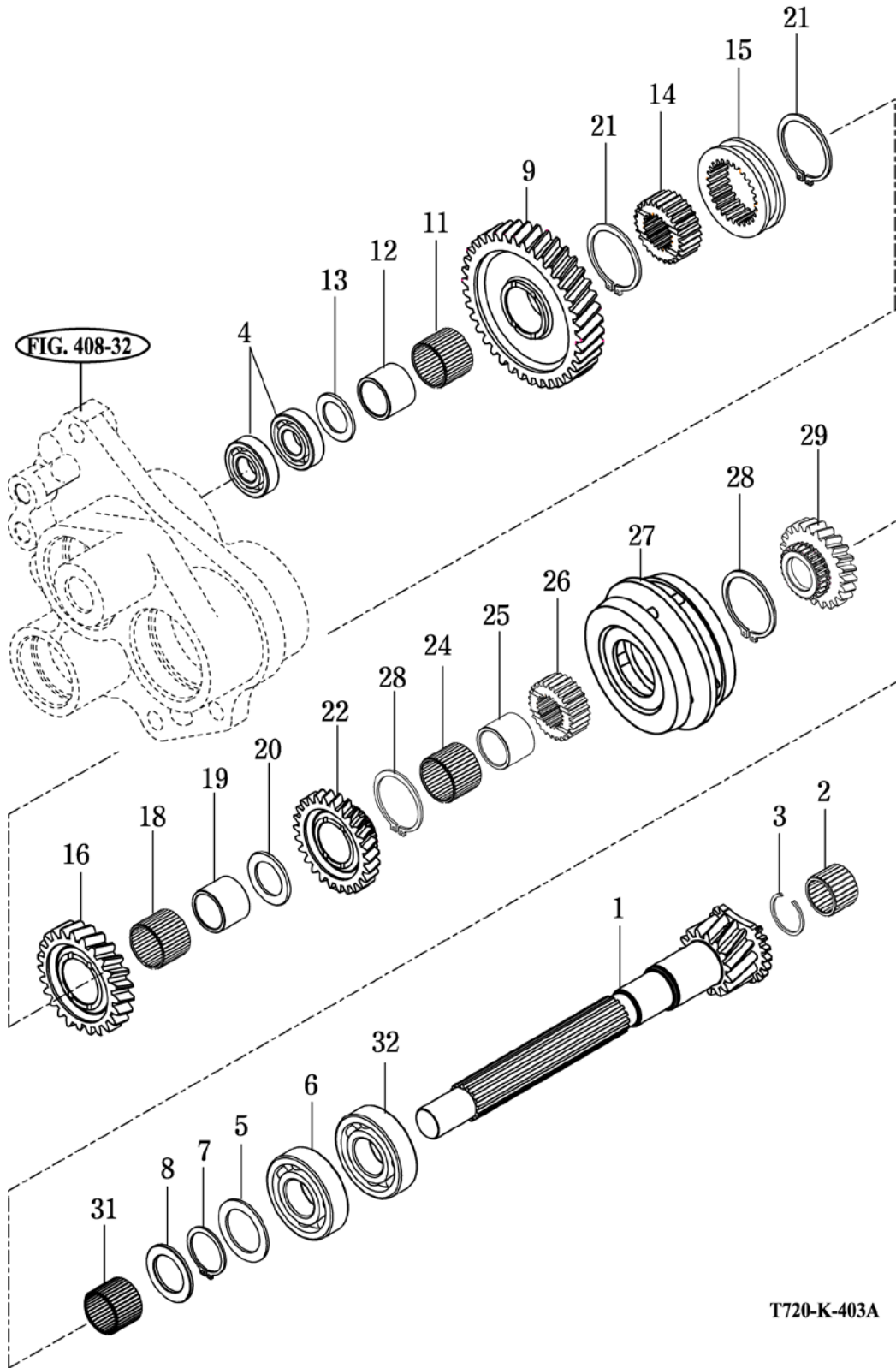
P1

Month/Year

02 / 2006



T7074



T720-K-403A

NOTE

FIG 404

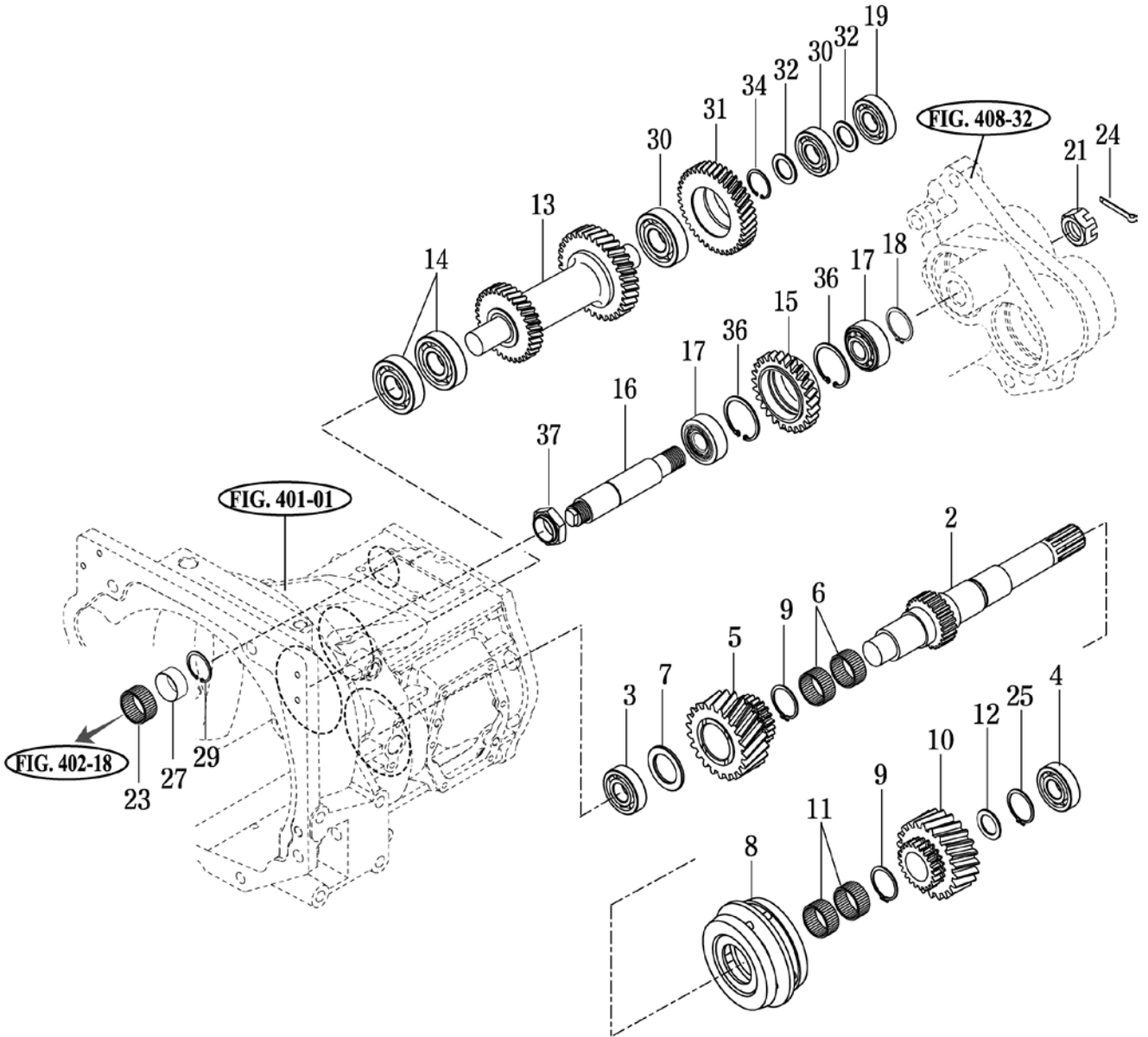
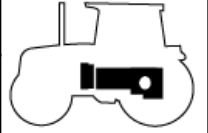
T7074

REVERSE GEARS

P1

Month/Year

02 / 2006



T720-K-404A

NOTE

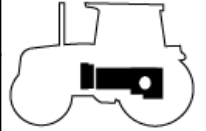
FIG 405

P.T.O DRIVE SHAFT

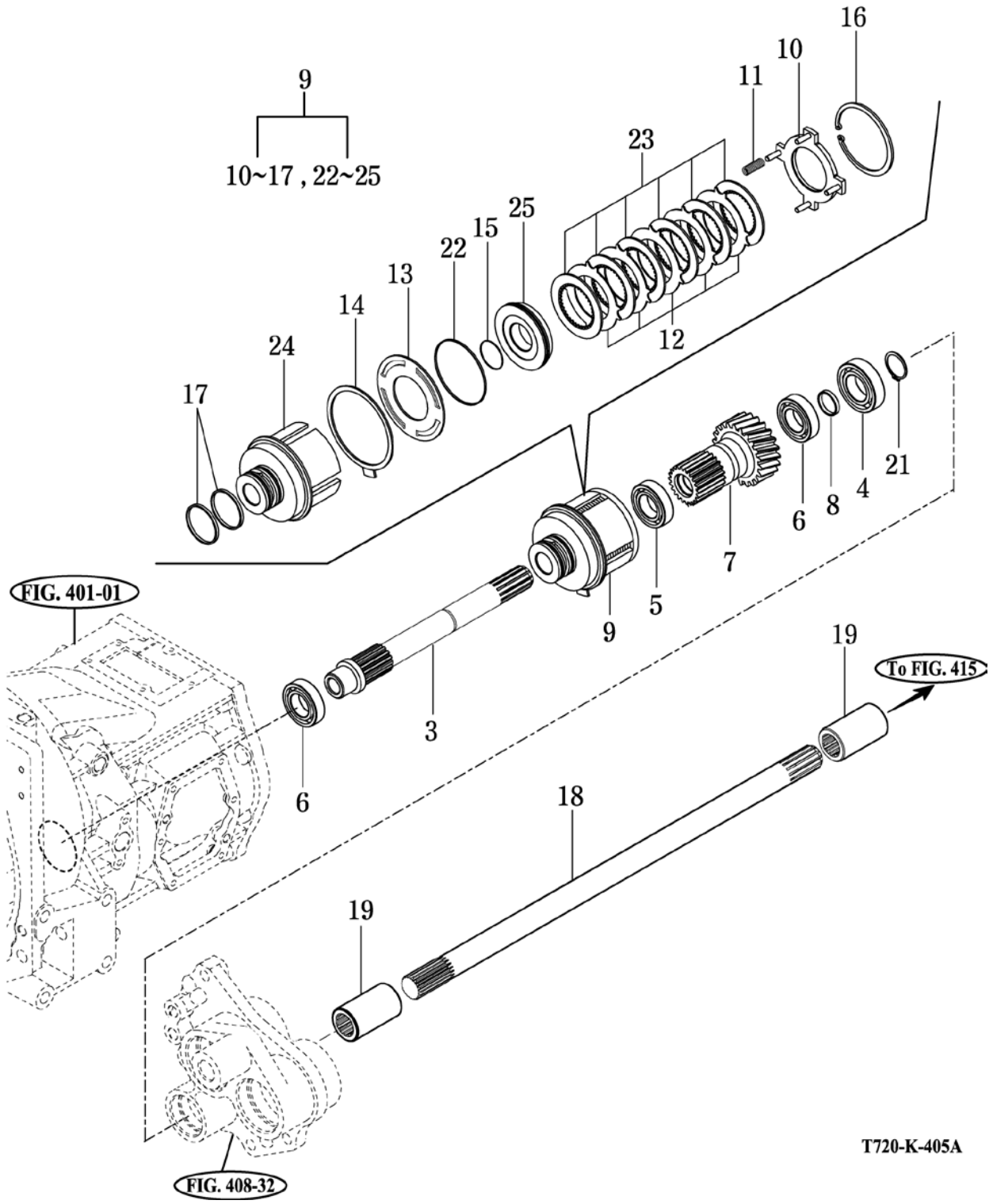
P1

Month/Year

02 / 2006



T7074



T720-K-405A

NOTE

FIG 406

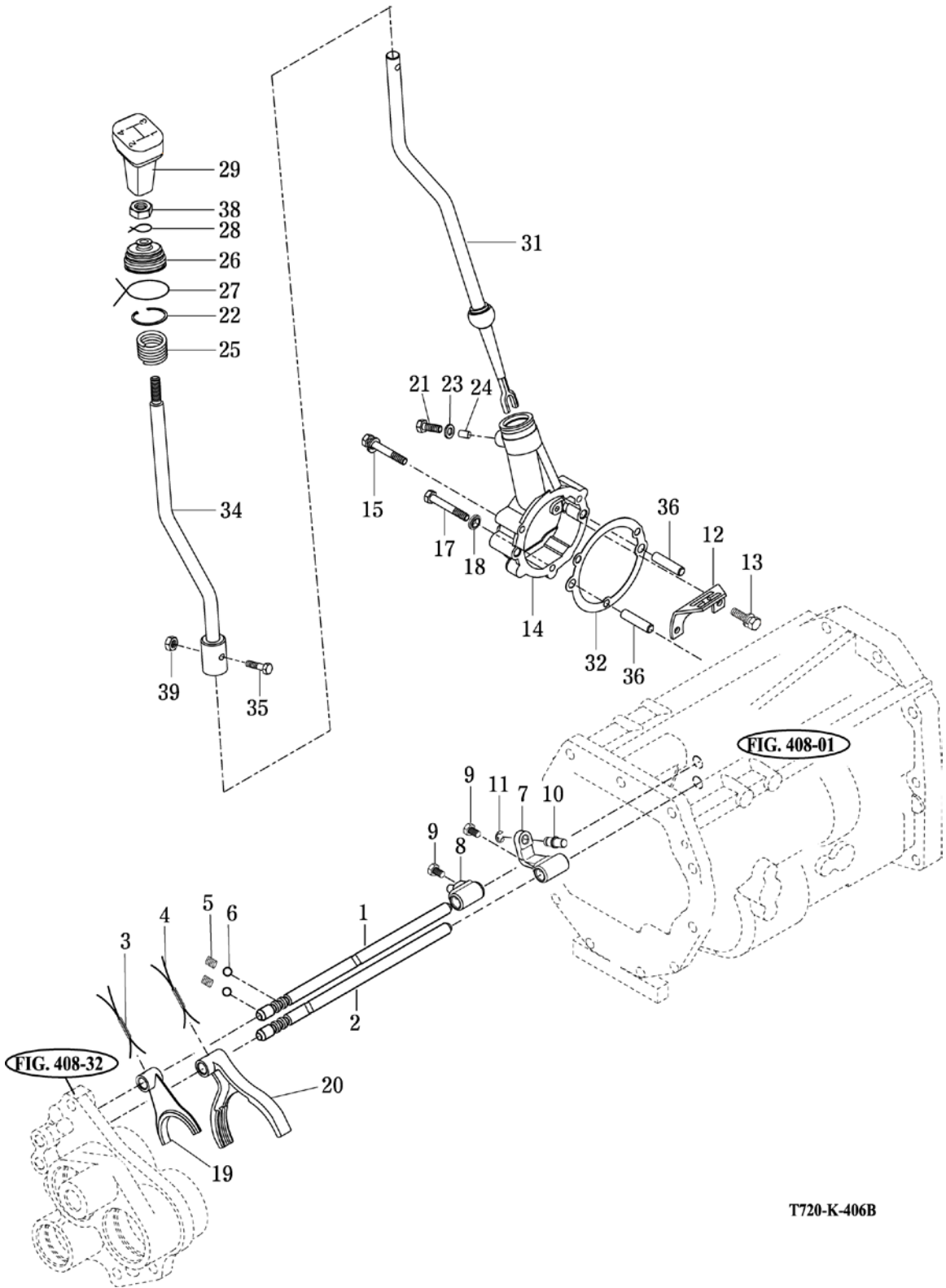
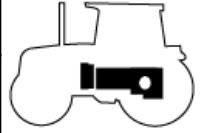
T7074

MAIN CHANGE LEVER

P1

Month/Year

02 / 2006



T720-K-406B

NOTE

FIG 407

REVERSE CHANGE LEVER

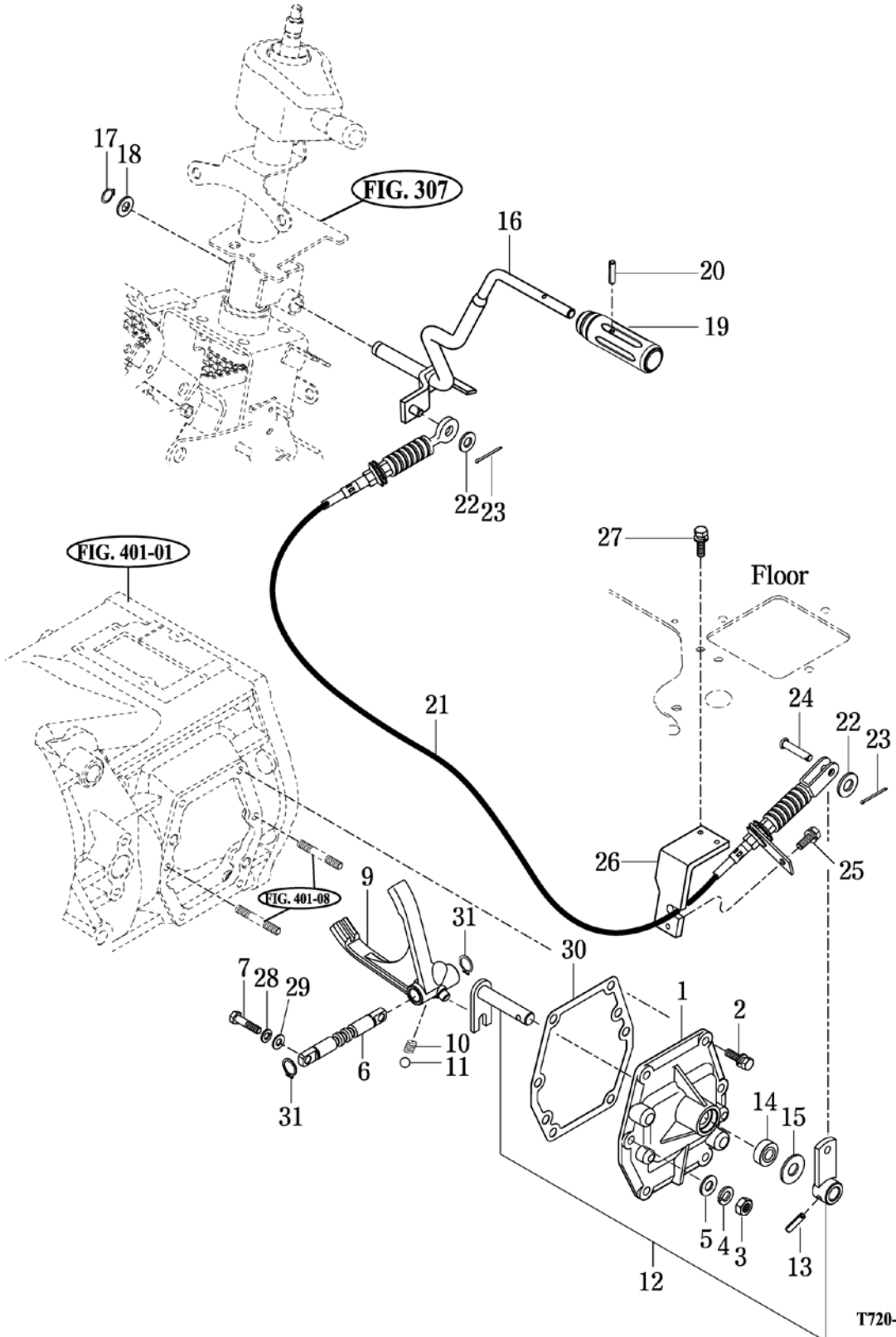
P1

Month/Year

02 / 2006



T7074



T720-K-406A

NOTE

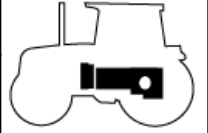
FIG 408

TRANSMISSION MID CASE

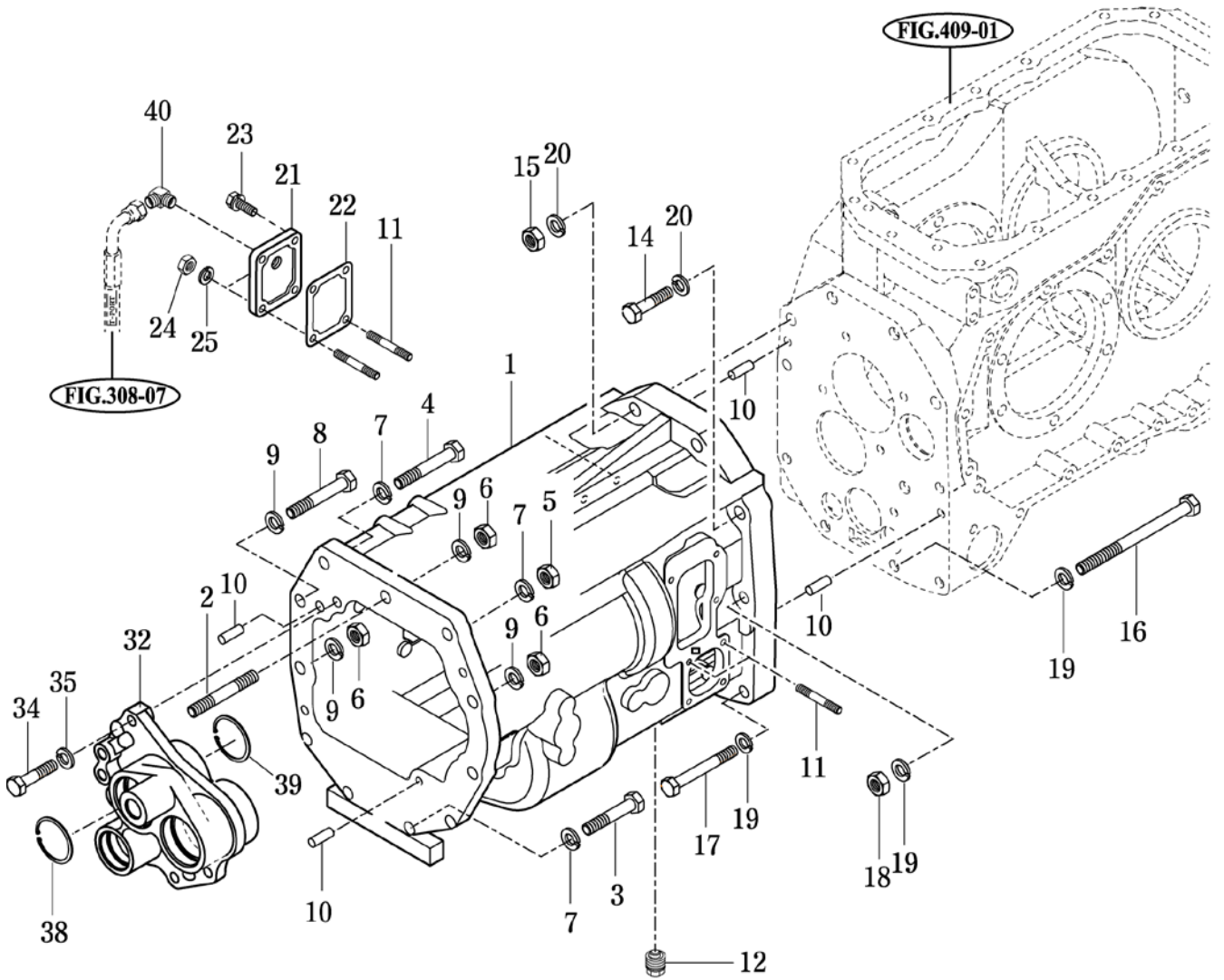
P1

Month/Year

02 / 2006



T7074



T720-K-408A

NOTE

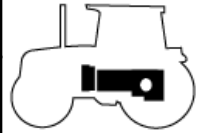
FIG 409

TRANAMMISSION REAR CASE

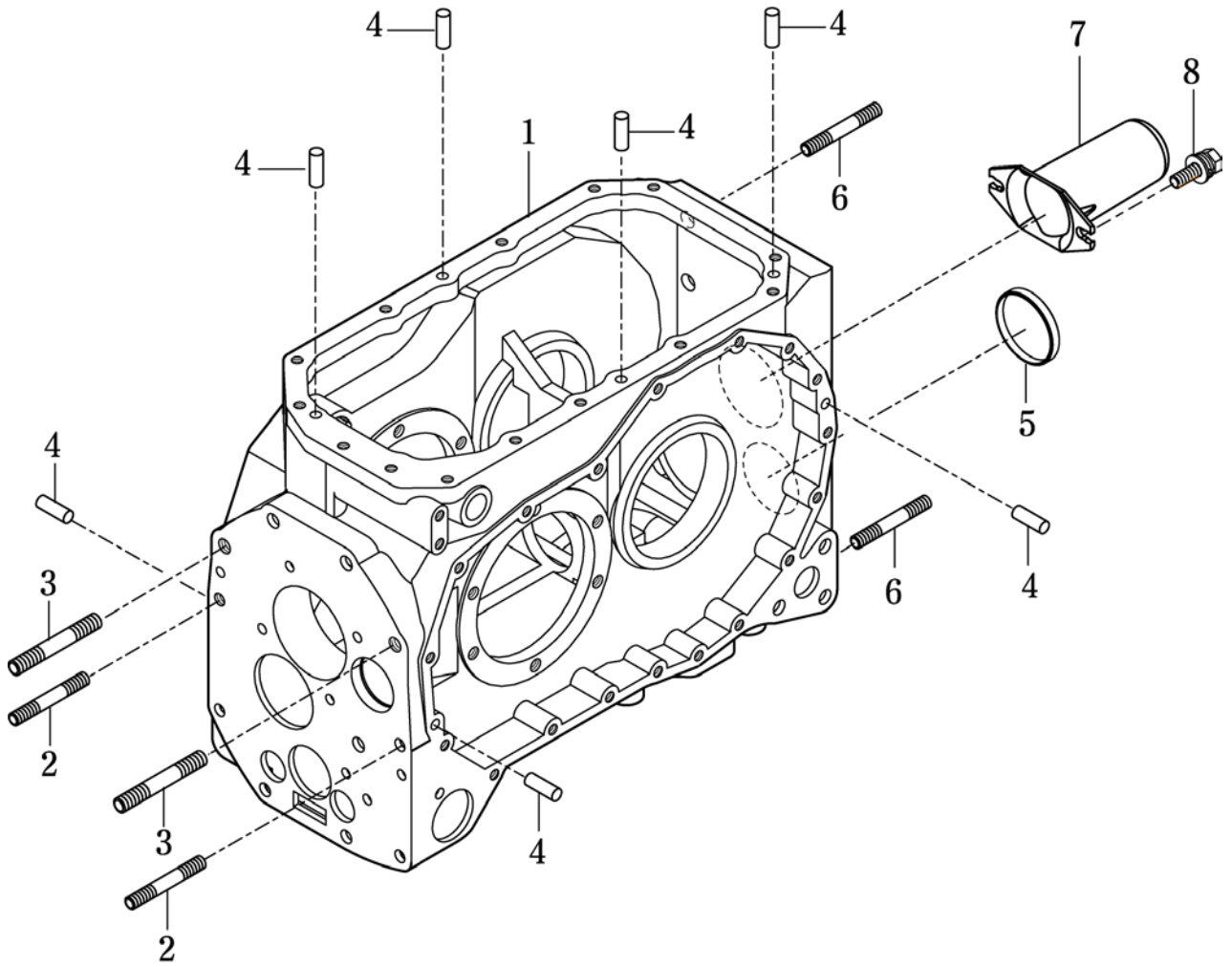
P1

Month/Year

02 / 2006



T7074



T720-K-409B

NOTE

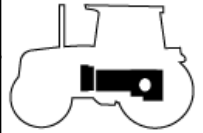
FIG 410

SUB CHANGE GEARS

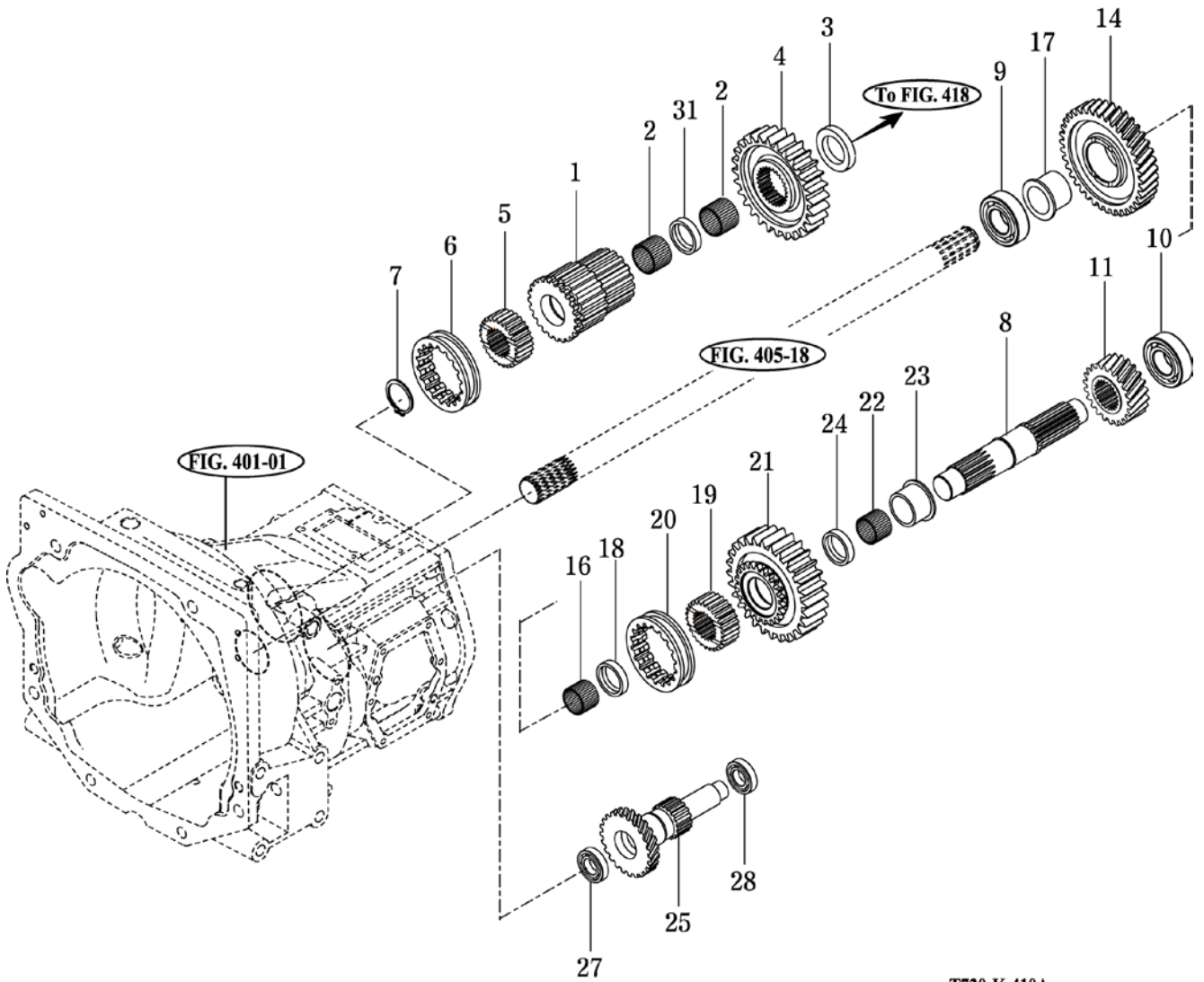
P1

Month/Year

02 / 2006



T7074



T720-K-410A

NOTE

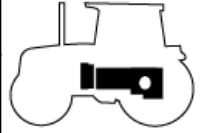
FIG 411

SUB CHANGE LEVER

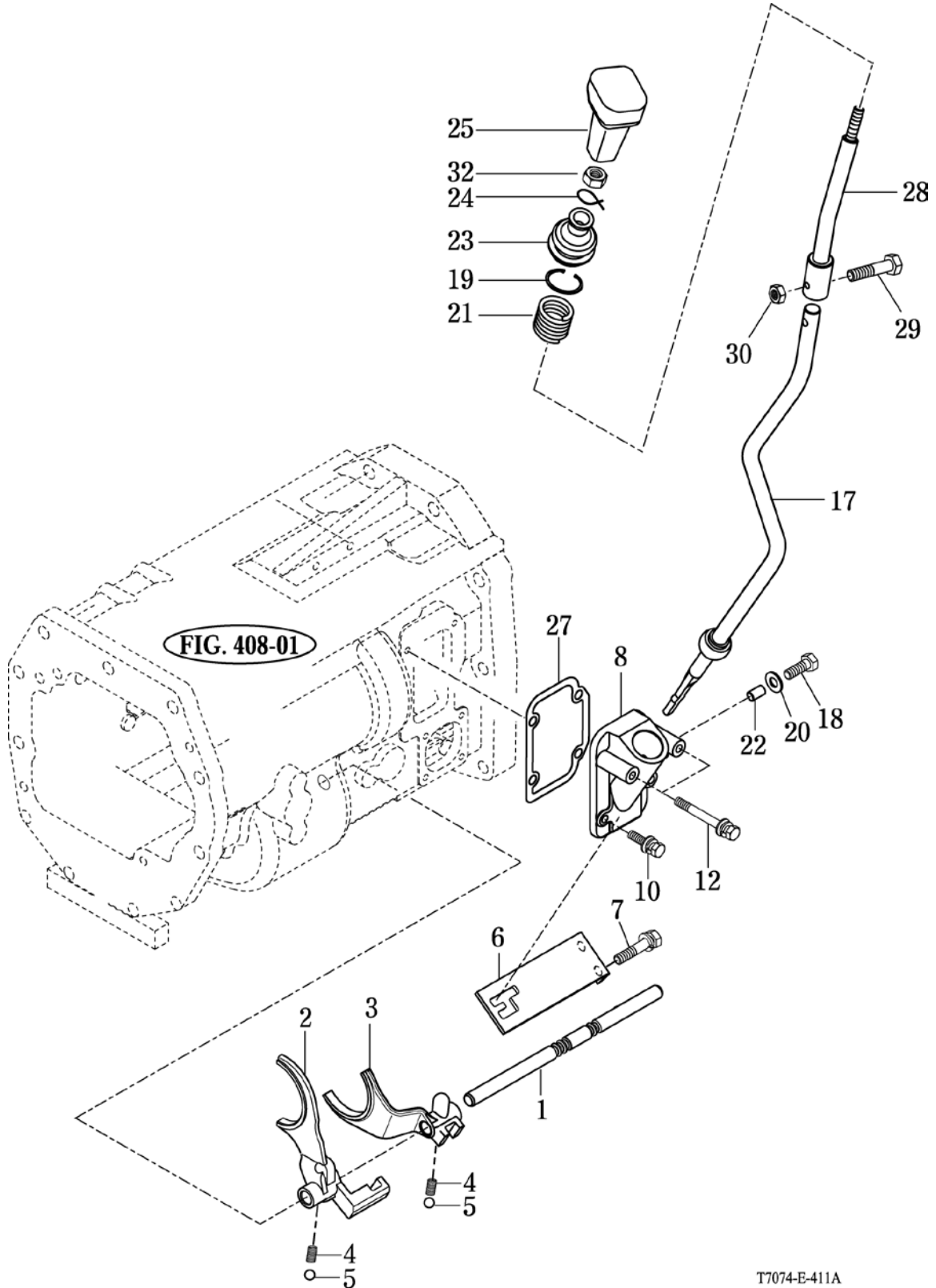
P1

Month/Year

02 / 2006



T7074



T7074-E-411A

NOTE

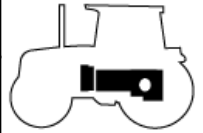
FIG 413

4WD DRIVE GEARS

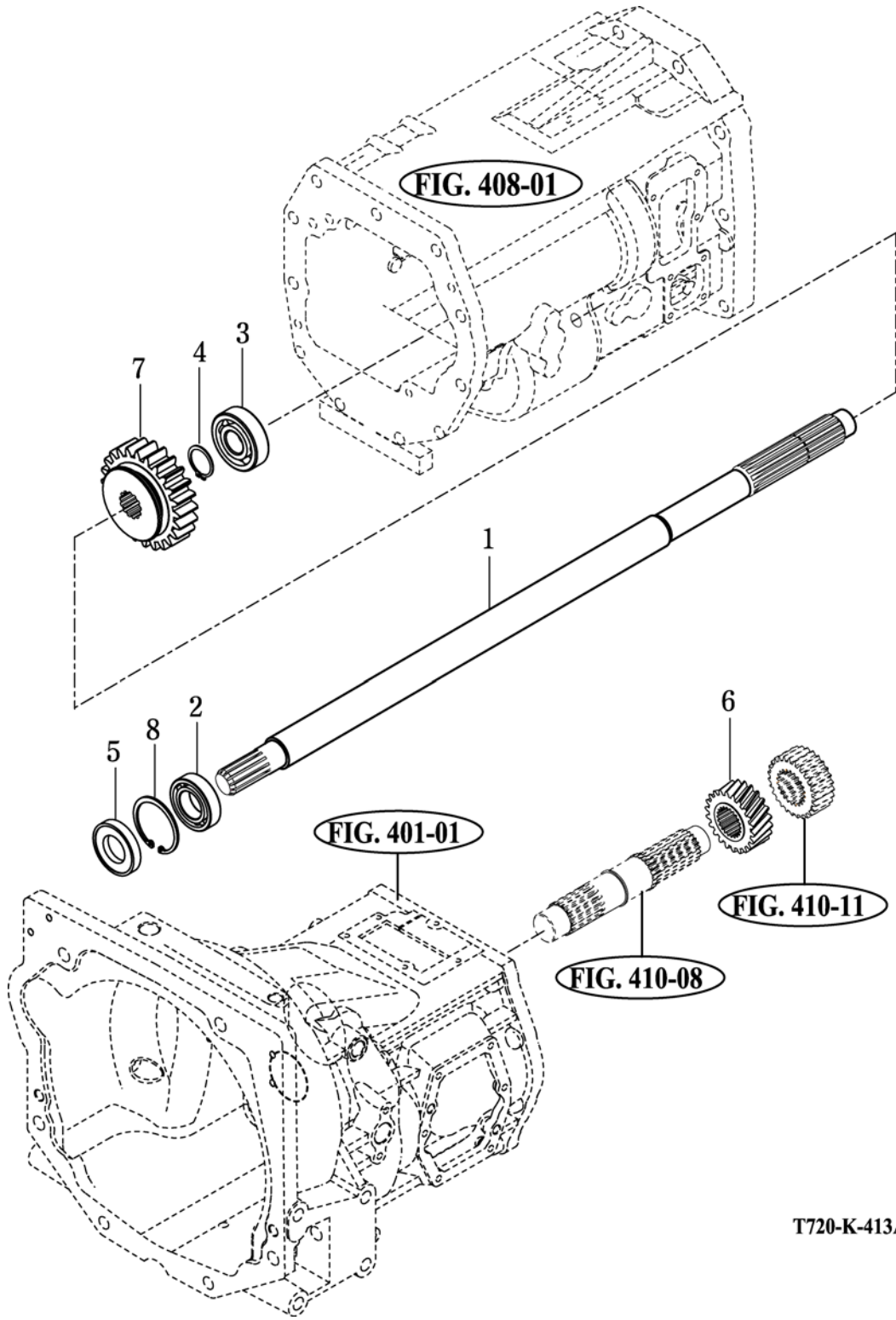
P1

Month/Year

02 / 2006



T7074



T720-K-413A

NOTE

FIG 414

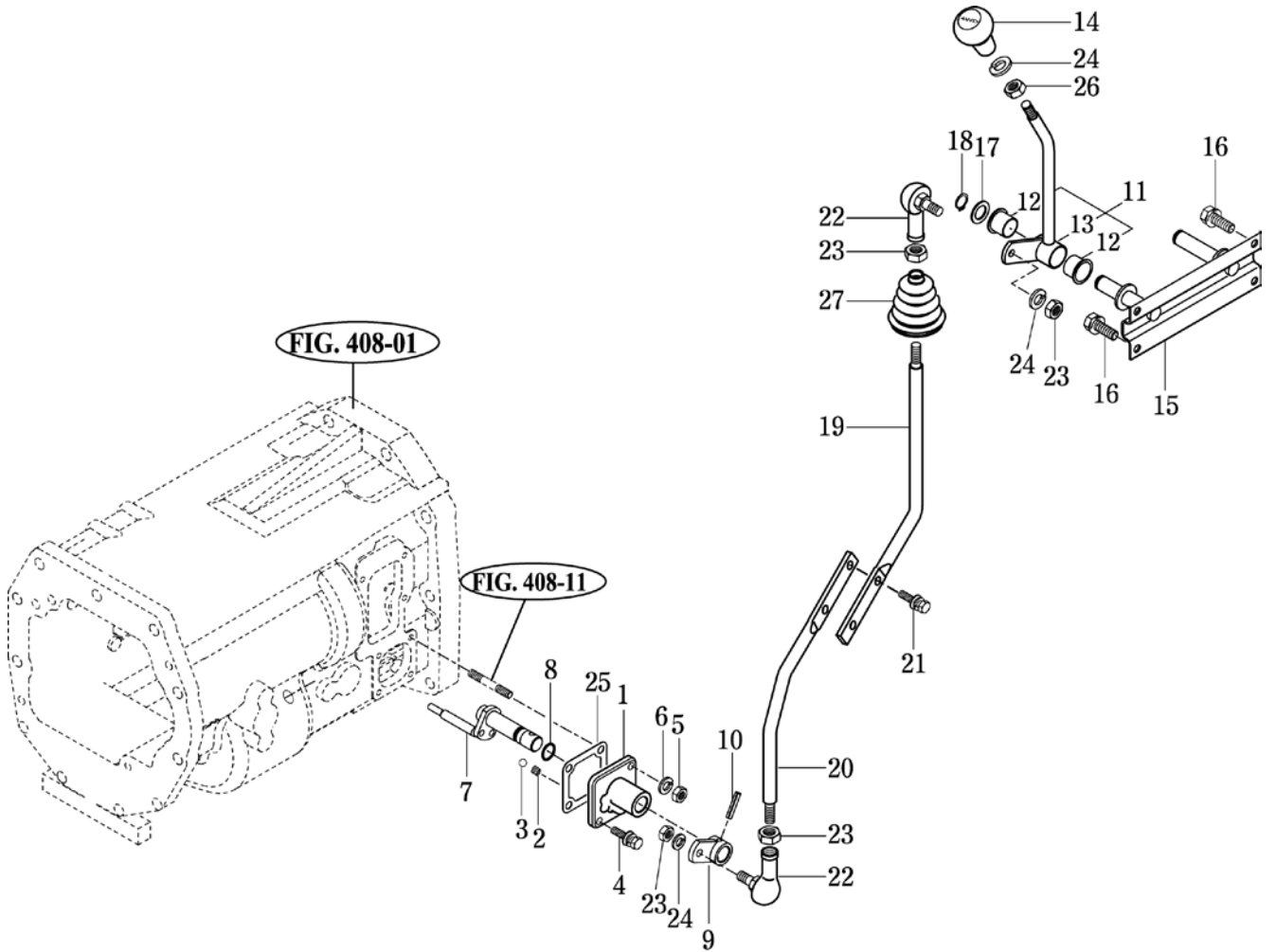
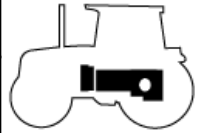
T7074

4WD CHANGE LEVER

P1

Month/Year

02 / 2006



T720-K-414A

NOTE

FIG 415

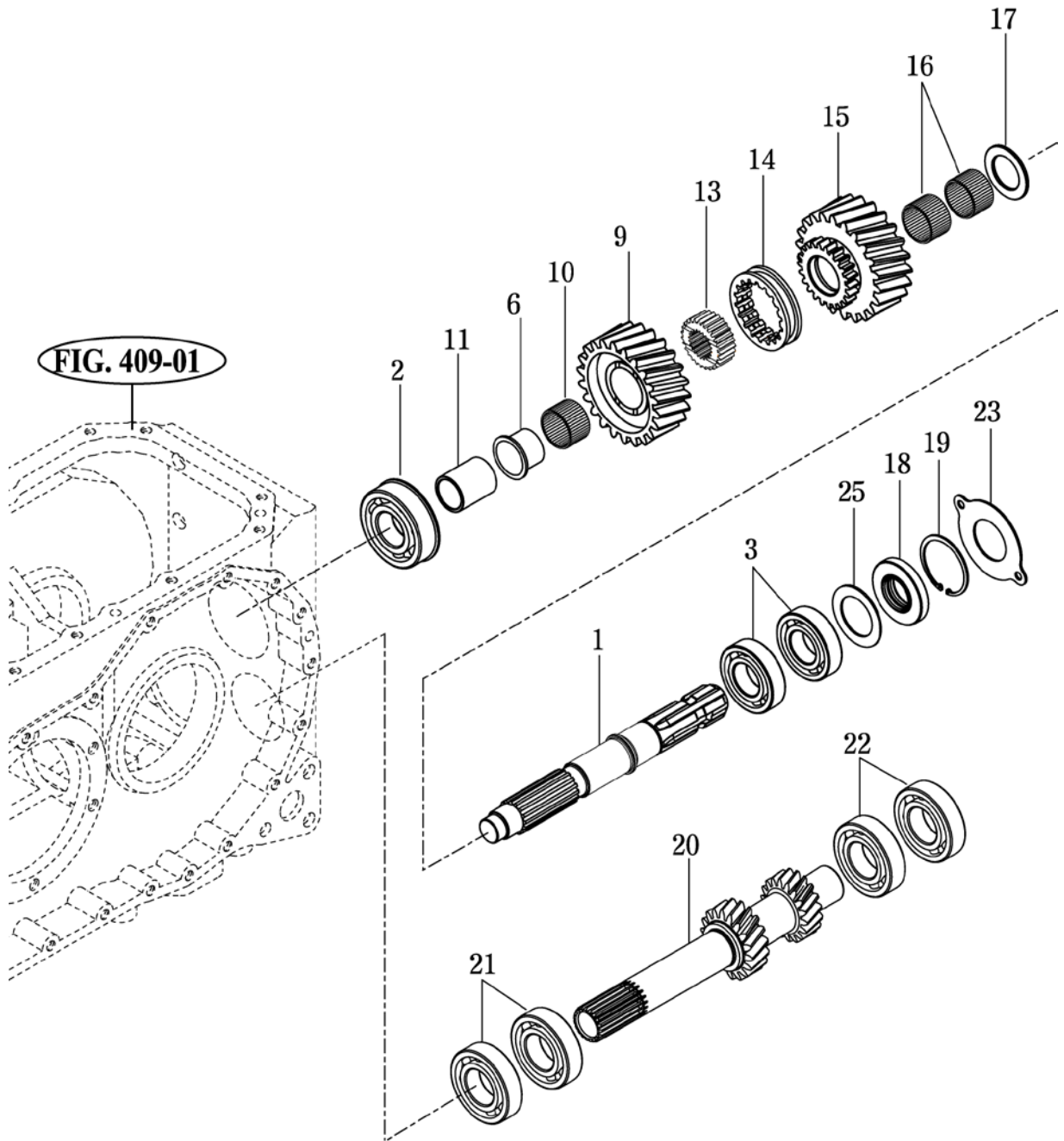
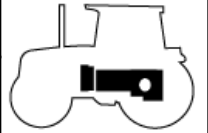
T7074

P.T.O CHANGE GEARS

P1

Month/Year

02 / 2006



T720-K-415A

NOTE

KEY NO.		PART NO.	DESCRIPTION	SPEC.	Q'TY.	REPAIR	EFFECTIVE DATE	REMARKS
414 001		15602650021M	SHAFT . PTO		1			
414 002		13022250030	BEARING , BALL/HL1	6306HL1	1			
414 003		V6802000010	BEARING , BALL		2			
414 004		V2173608020	BUSH , 40X45X48		1			
414 005		V3042600080	GEAR . HELICAL37T		1			
414 006		V4011600080	BEARING , NEEDLE	KT455027	1			
414 007		16992652200	COLLAR . 30X40X6		1			
414 008		V7201024014	HUB , 40X62X20		1			
414 009		16322652000	COUPLING , SLIDE		1			
414 010		V5801406025	GEAR . HELICAL 43T		1			
414 011		17682872501	BEARING , NEEDLE	KT404517	2			
414 012		15602870023	WASHER , 40X60X3		1			
414 013		17682872101G	SEAL ASSY , OIL		1	B		
414 014		17682190060	C-RING , HOLE	72	1			
414 015		17682872000G	GEAR , HELICAL 20-14		1			
414 016		V2173608020	BEARING , BALL/HL1	6305HL1	2			
414 017		36212110030	BEARING , BALL/HL1	6306HL1	2			
414 018		V7041400160	COVER		1			
414 019		17682880030	SHIM , B		1			
414 020		17682880022						
414 021		V2193606016						
414 022		36402200040						
414 023		V3042600080						
414 024		V4011600080						
414 025		14443120050						
414 026		V3342600100						
414 027		16991160010						
NOTE								

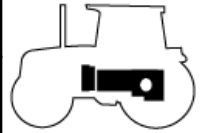
FIG 416

P.T.O CHANGE LINKAGE

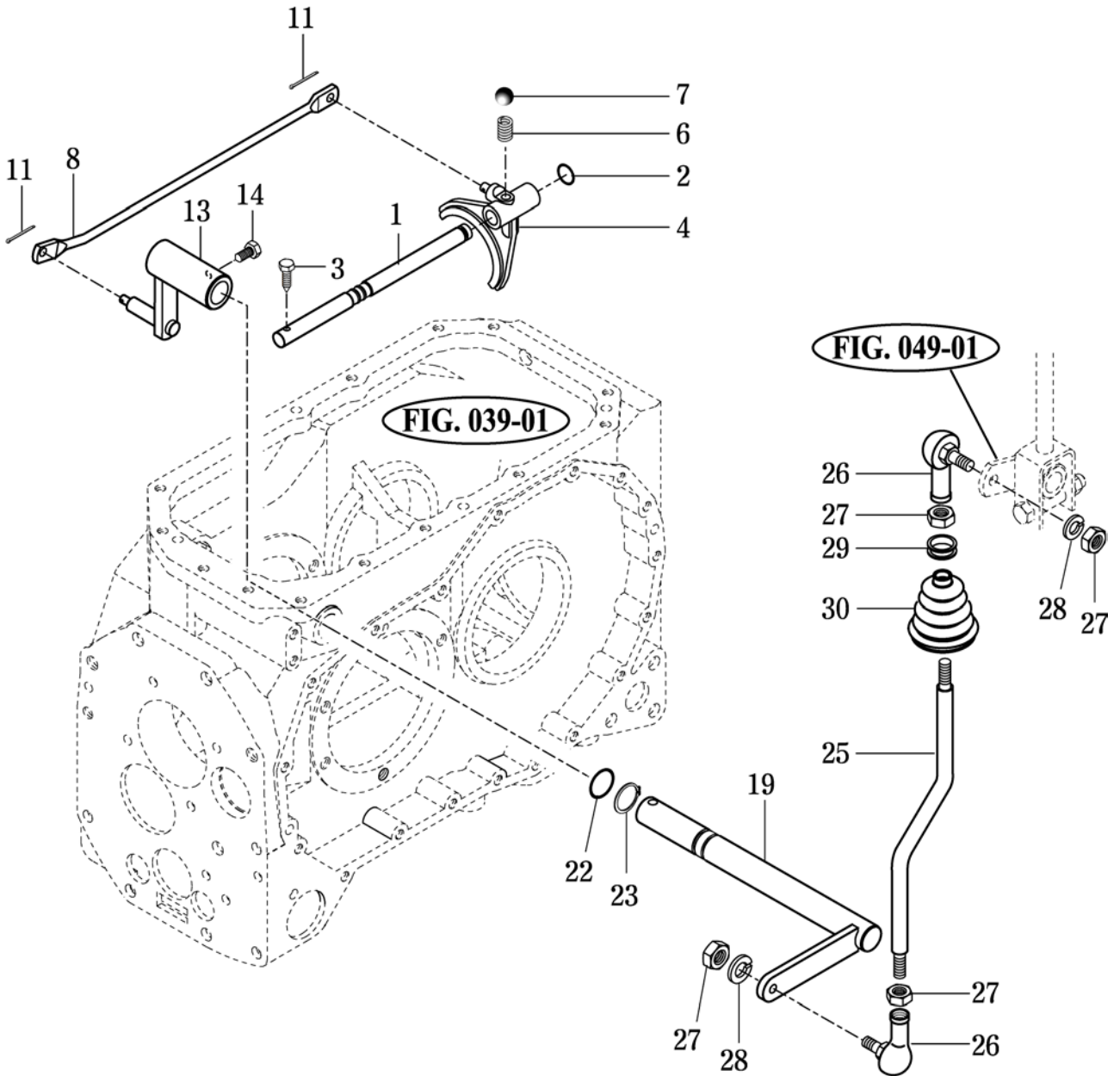
P1

Month/Year

02 / 2006



T7074



T7074-E-416A

NOTE

FIG 417

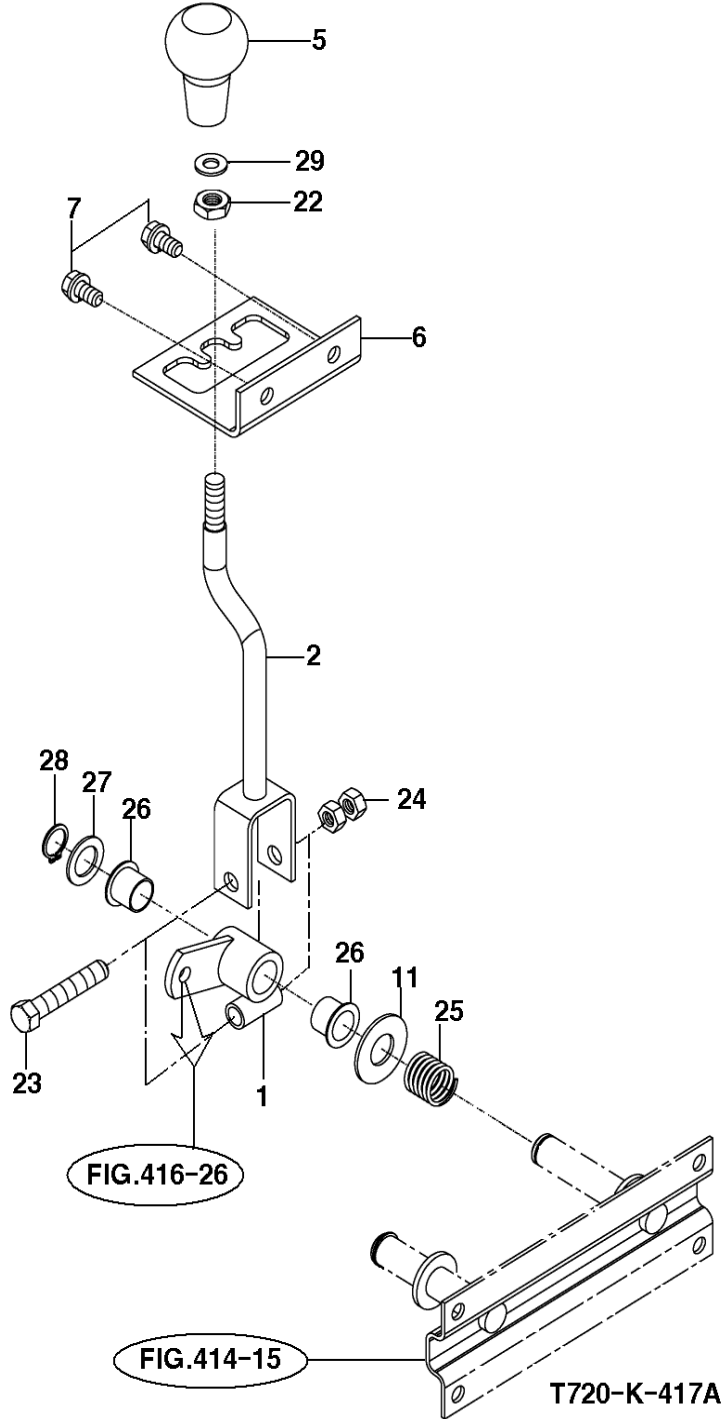
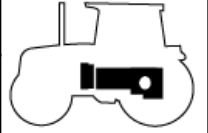
T7074

P.T.O CHANGE LEVER

P1

Month/Year

02 / 2006



NOTE

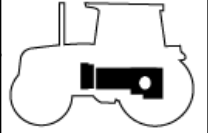
FIG 418

REAR DIFFERENTIAL GEARS

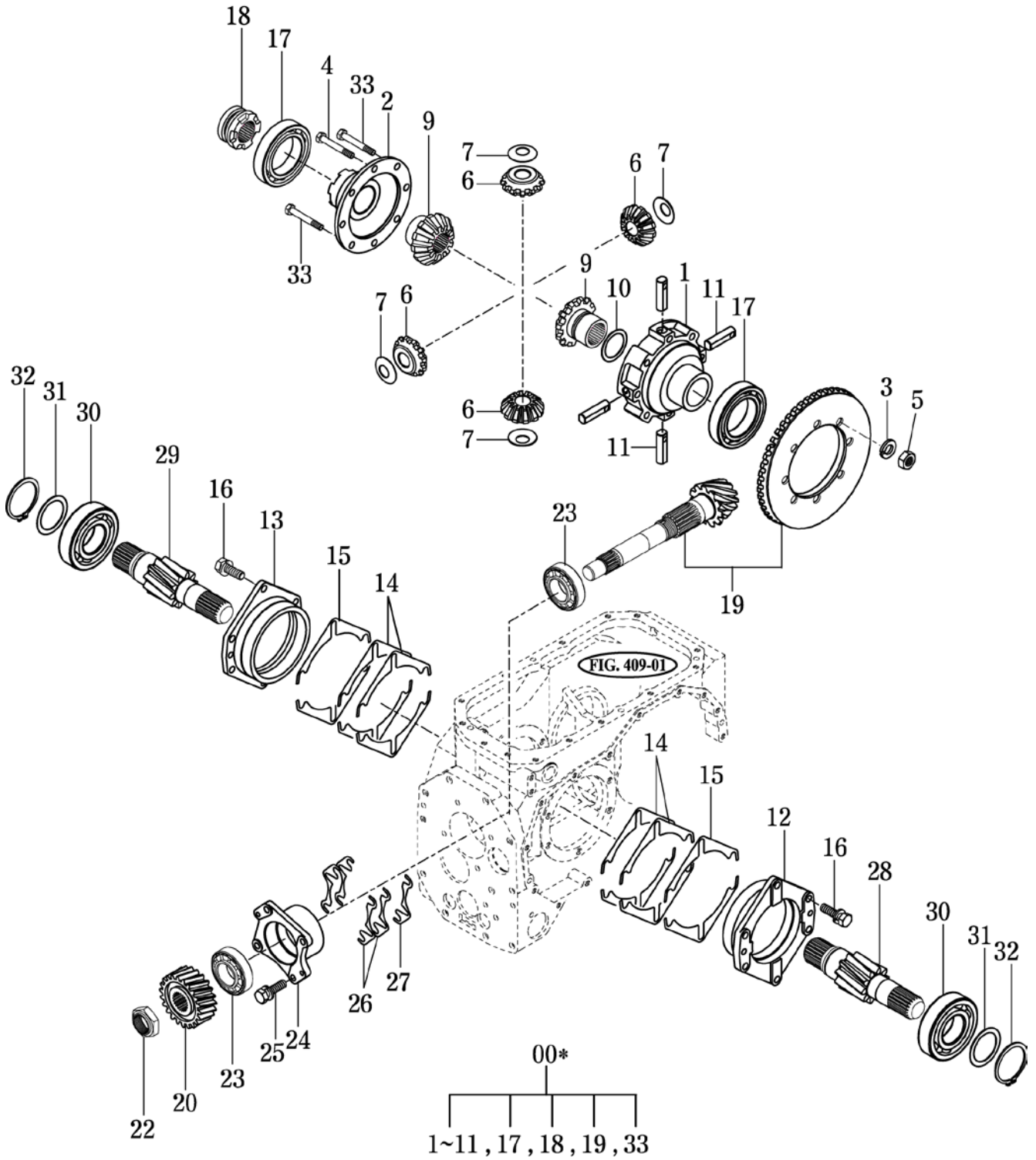
P1

Month/Year

02 / 2006



T7074



* NOT SERVICED SEPARATELY

T720-K-418B

NOTE

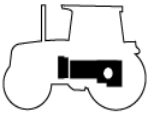
FIG 418		REAR DIFFERENTIAL GEARS			P1	Month / Year	
T7074						02 / 2006	
KEY NO.	PART NO.	DESCRIPTION	SPEC.	Q'TY.	REPAIR	EFFECTIVE DATE	REMARKS
418 000	16993022001	DIFF SET , RR 55HP		1		2006.01.01-	
418 001	15993030032M	CASE , LH DIFF		1			
418 002	15993030060	CASE , RH DIFF		1			
418 003	V4011600120	WASHER , SPRING	M12	8			
418 004	15993030070	BOLT , REAMER		6			
418 005	15993030090	NUT		8			
418 006	15063010040	PINION , DIFF 12T		4			
418 007	15683030030	COLLAR , PINION		4			
418 009	15993030051	GEAR , HELICAL 20T		2			
418 010	15063010070	COLLAR , THRUST		1			
418 011	15133010071	SHAFT , DIFF PINION		4			
418 012	17683030010M	METAL . LH DIFF		1			
418 013	17683030021M	METAL . RH DIFF		1			
418 014	15133010110	SHIM , A		8			
418 015	15133010120	SHIM , B		4			
418 016	V2173610030	BOLT , HEX/S	M10X30	12			
418 017	V6001106214	BEARING , BALL	6214	2			
418 018	15133020012	CLUTCH , DIFF LOCK		1			
418 019	16993022101	GEAR SET , 11-48T		1			
418 020	17683010010	GEAR . HELICAL 28T		1			
418 022	15643010021	NUT , M36 P1,5		1			
418 023	15643010031	BEARING , TAPER	32208CR	2			
418 024	17683010040M	METAL , PINION		1			
418 025	V2173610025	BOLT , HEX/S	M10X25	4			
418 026	15643010052	SHIM , 0.2		4			
418 027	15643010062	SHIM , 0.1		1			
418 028	17403060010	PINION , LH WHEEL 12		1			
418 029	17403060020	PINION , RH WHEEL 12		1			
418 030	V6001106310	BEARING , BALL	6310	2			
418 031	15133060040	COLLAR , THRUST		2			
418 032	V7041400450	C-RING , SHAFT	45	2			
418 033	15993030080	BOLT ,		2			
NOTE							

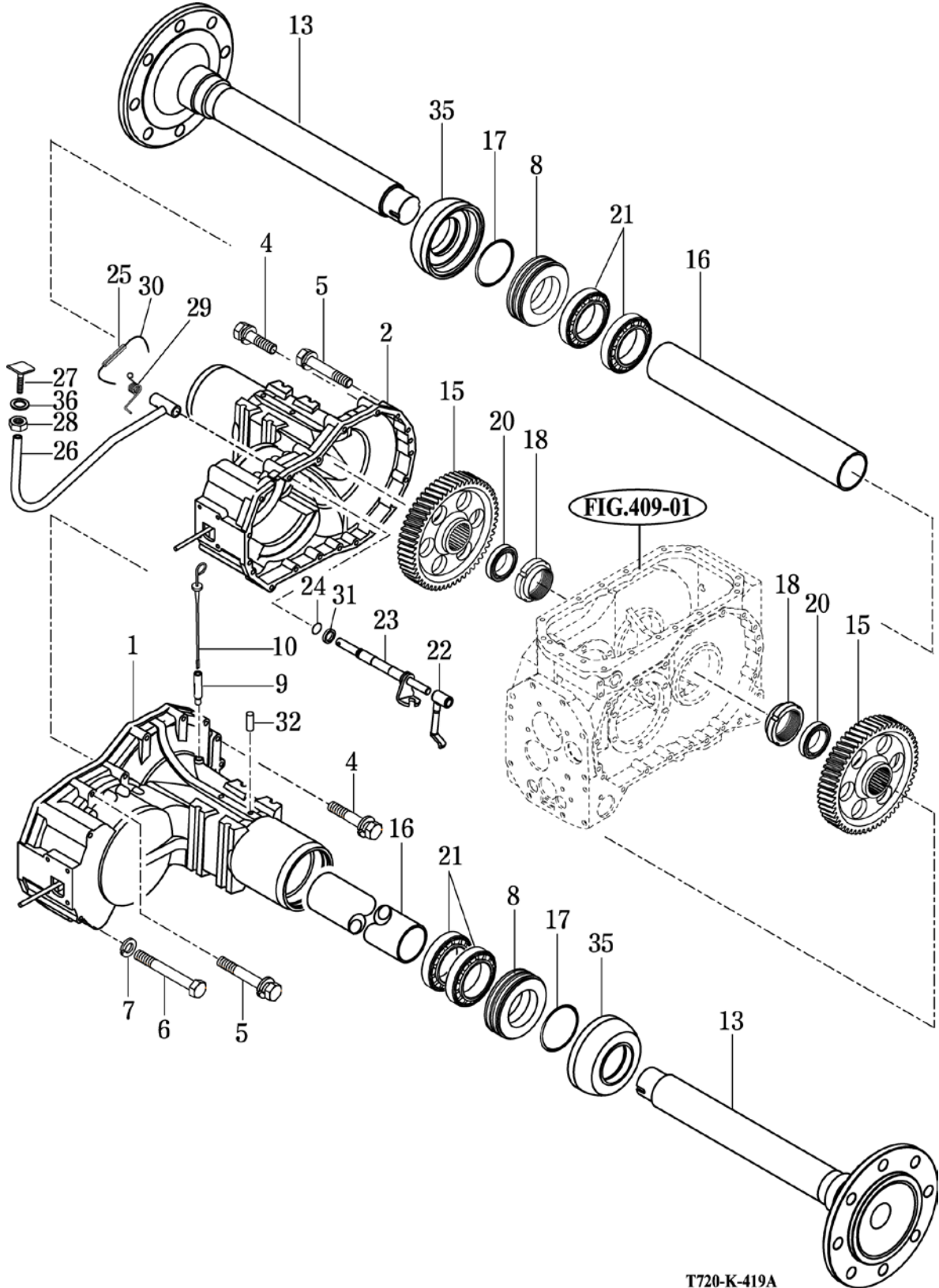
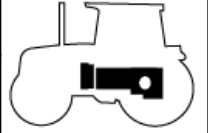
FIG 419

REAR AXLE & HOUSINGS

P1

Month/Year

02 / 2006



T720-K-419A

NOTE

FIG 501

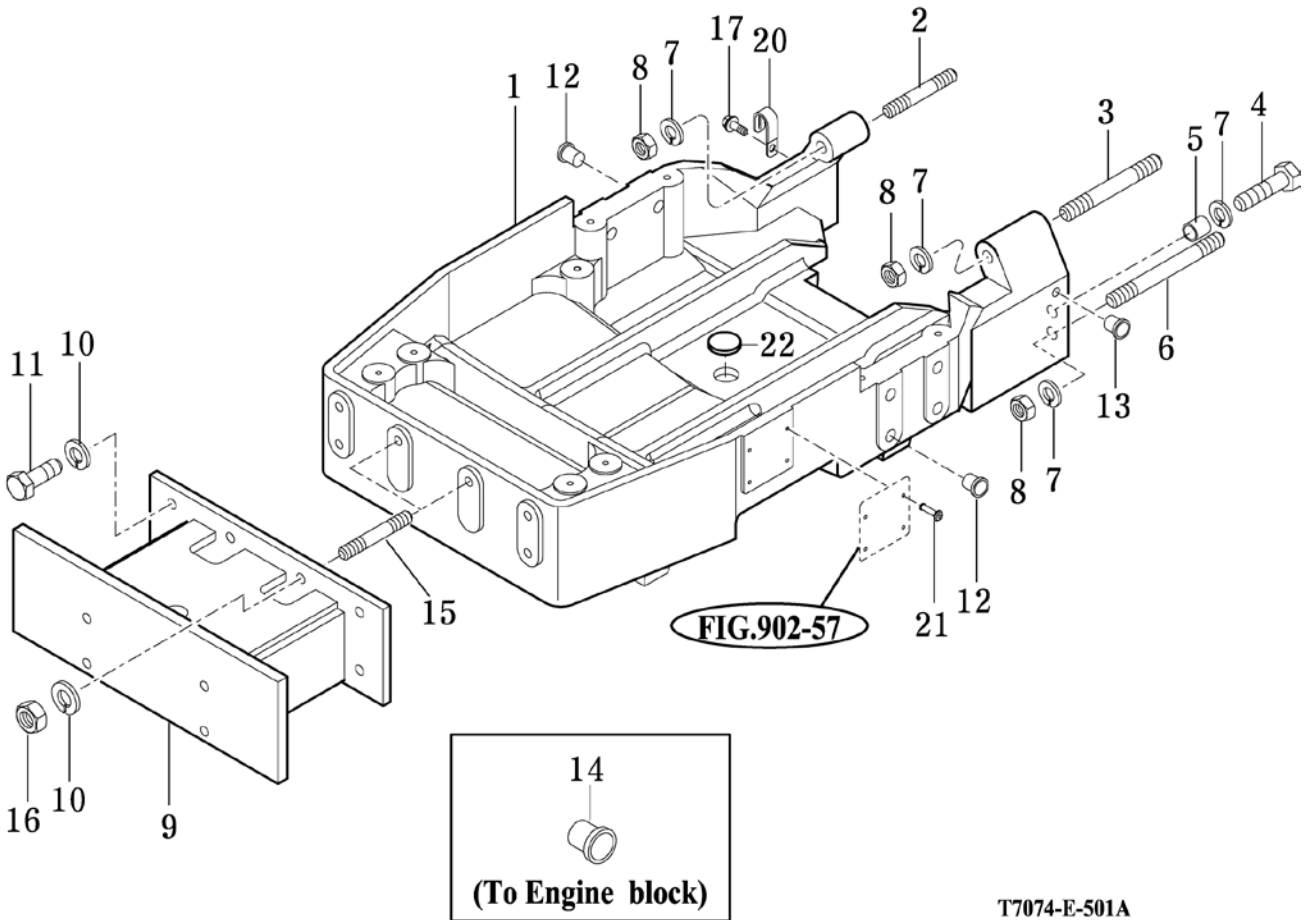
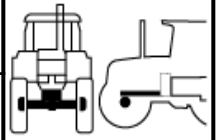
T7074

FRONT AXLE SUPPORT

P1

Month/Year

02 / 2006



T7074-E-501A

NOTE

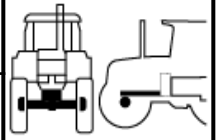
FIG 502

FRONT DRIVE SHAFT

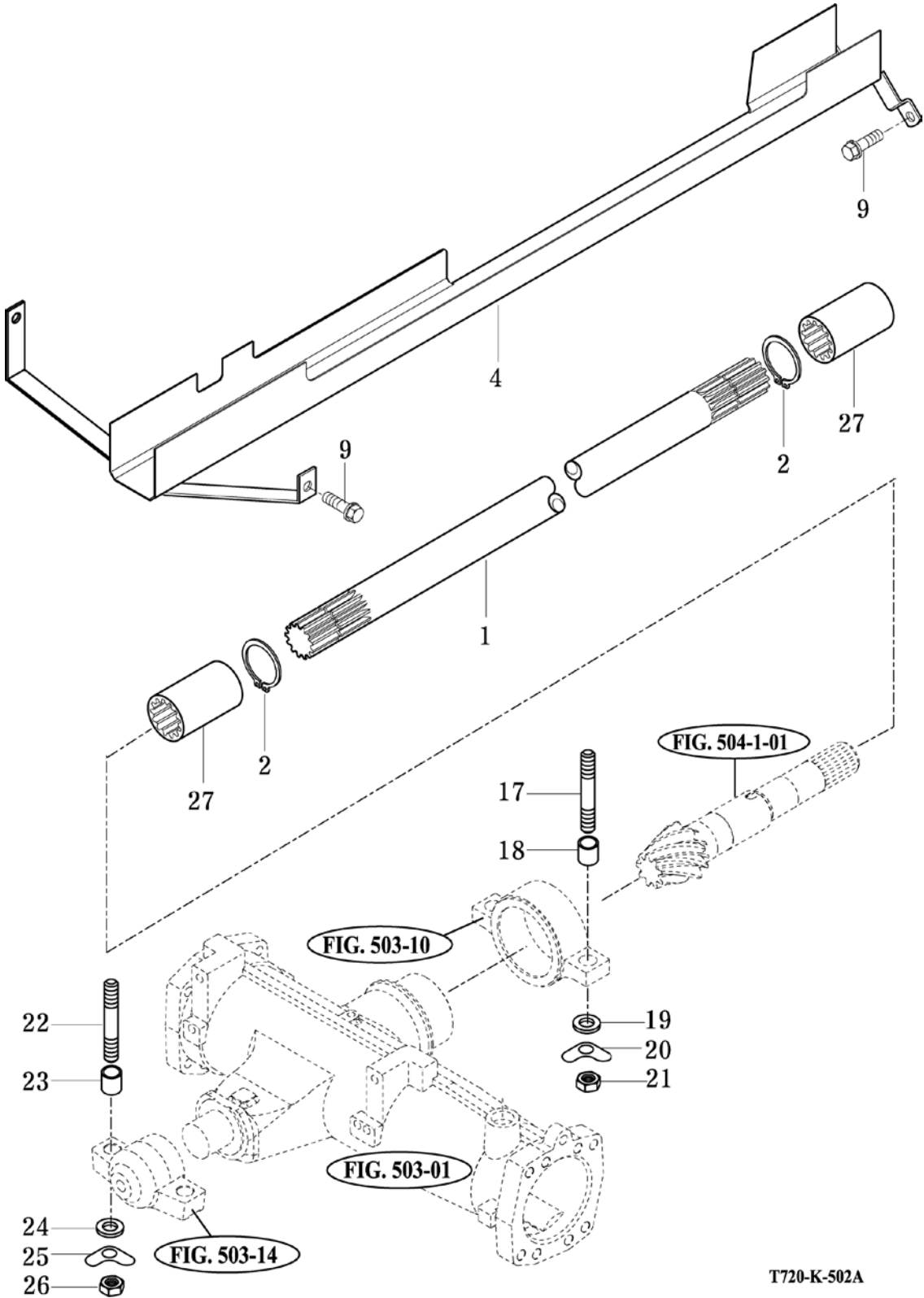
P1

Month/Year

02 / 2006



T7074



NOTE

FIG 503

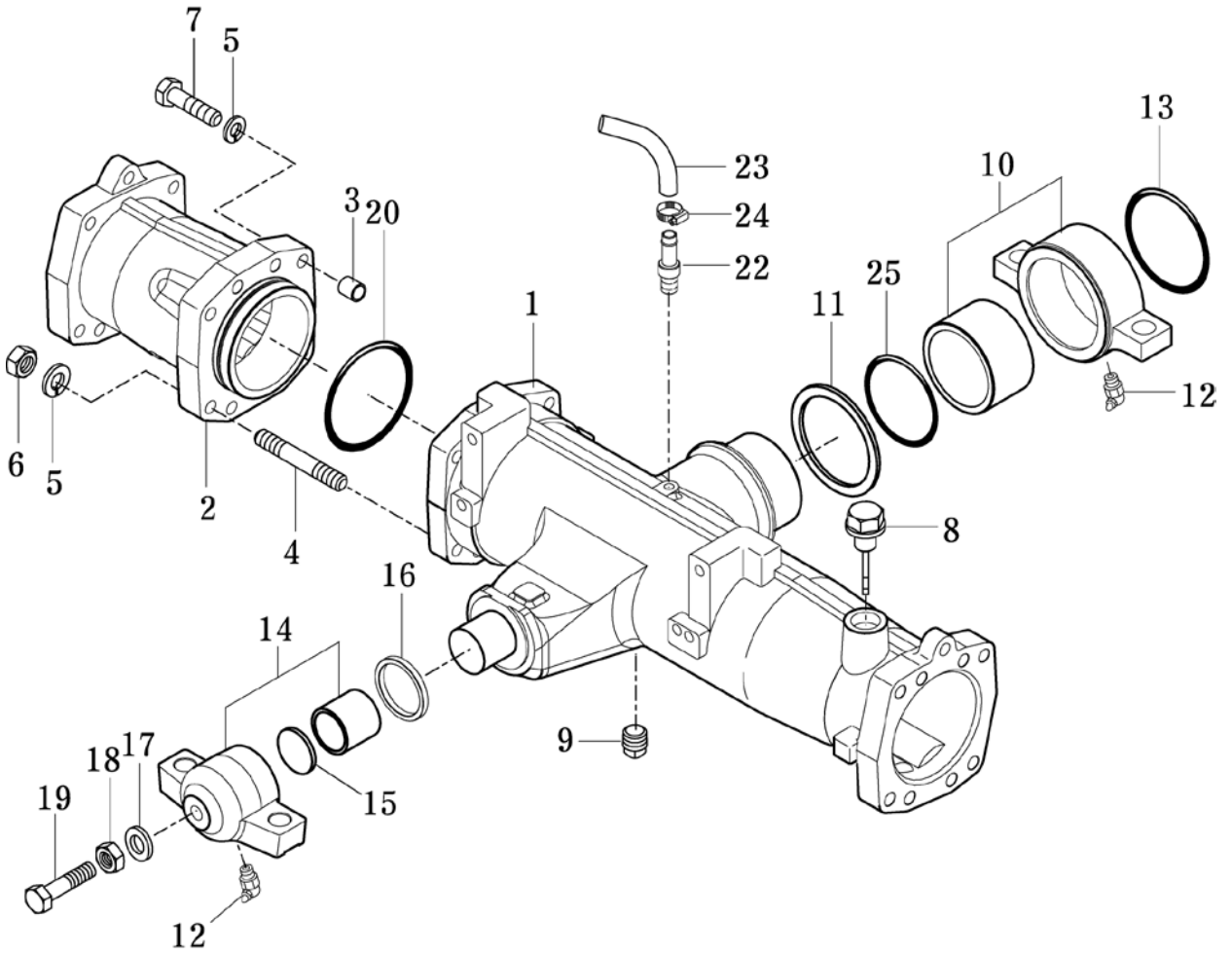
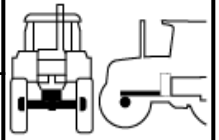
T7074

FRONT AXLE HOUSING

P1

Month/Year

02 / 2006



T720-K-503A

NOTE

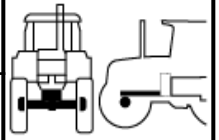
FIG 504

FRONT DIFFERENTIAL GEARS

P1

Month/Year

02 / 2006



T7074

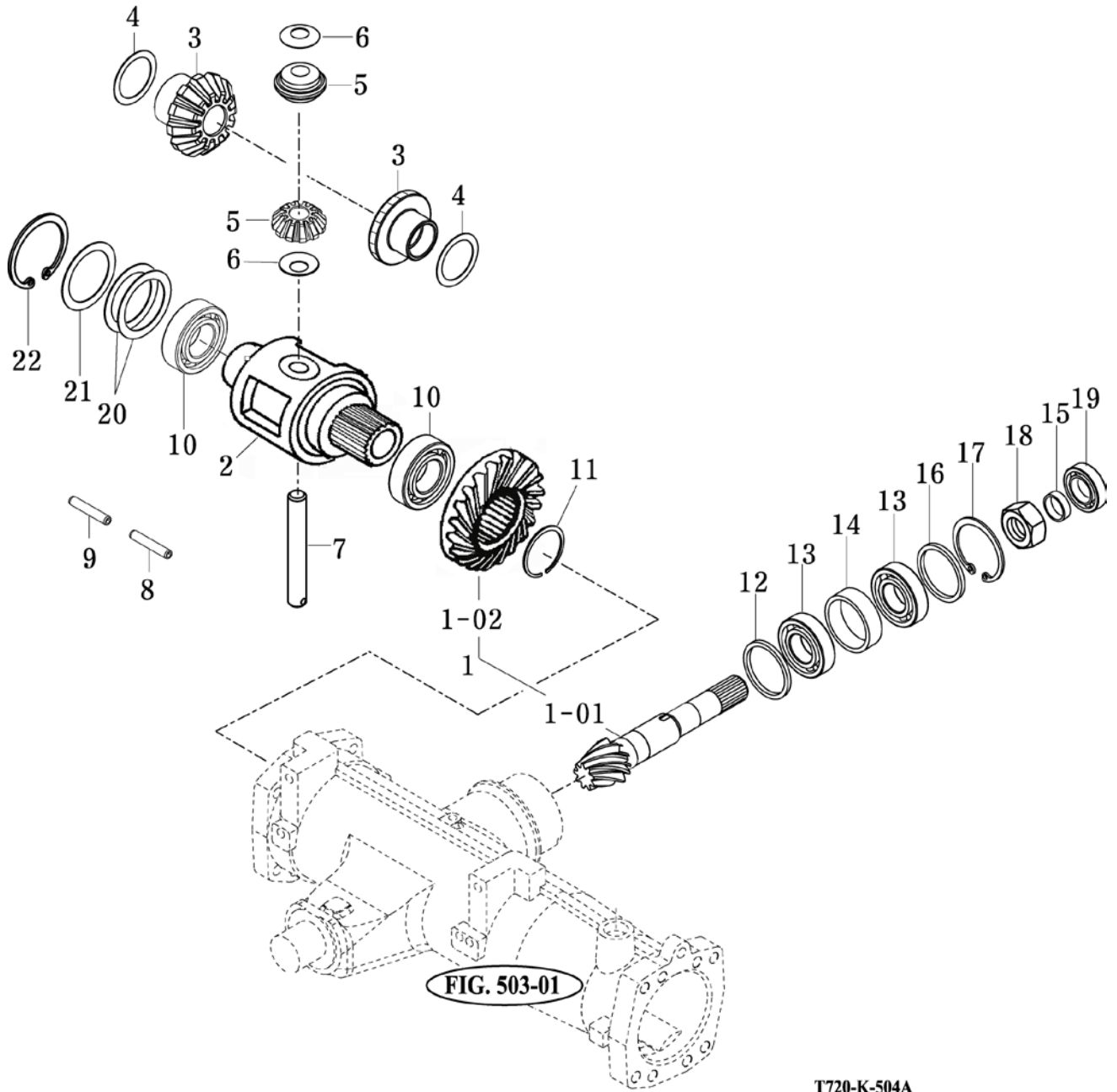


FIG. 503-01

T720-K-504A

NOTE

FIG 505

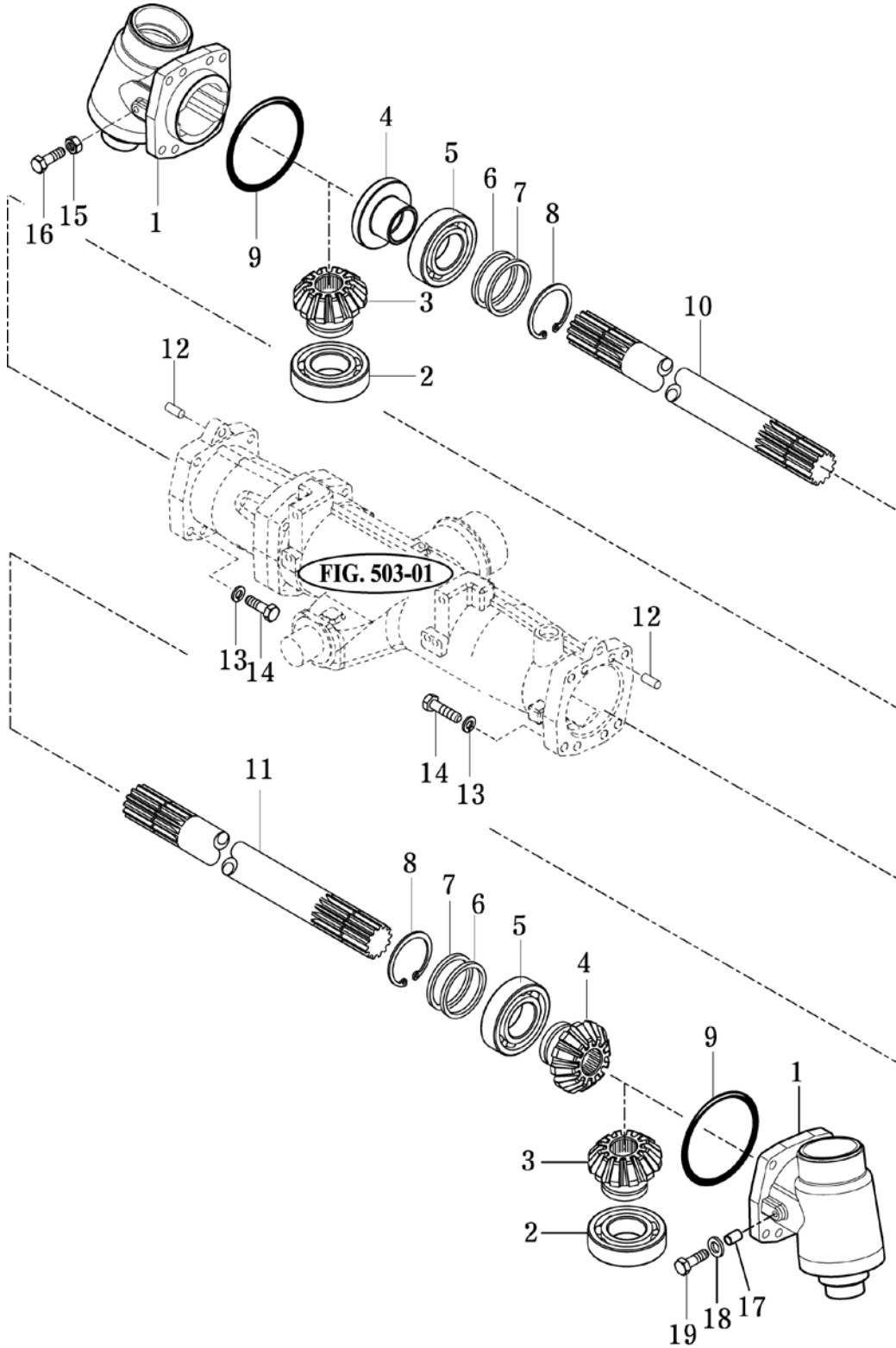
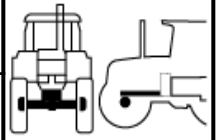
T7074

FRONT GEAR CASE (1)

P1

Month/Year

02 / 2006



T720-K-505A

NOTE

FIG 506

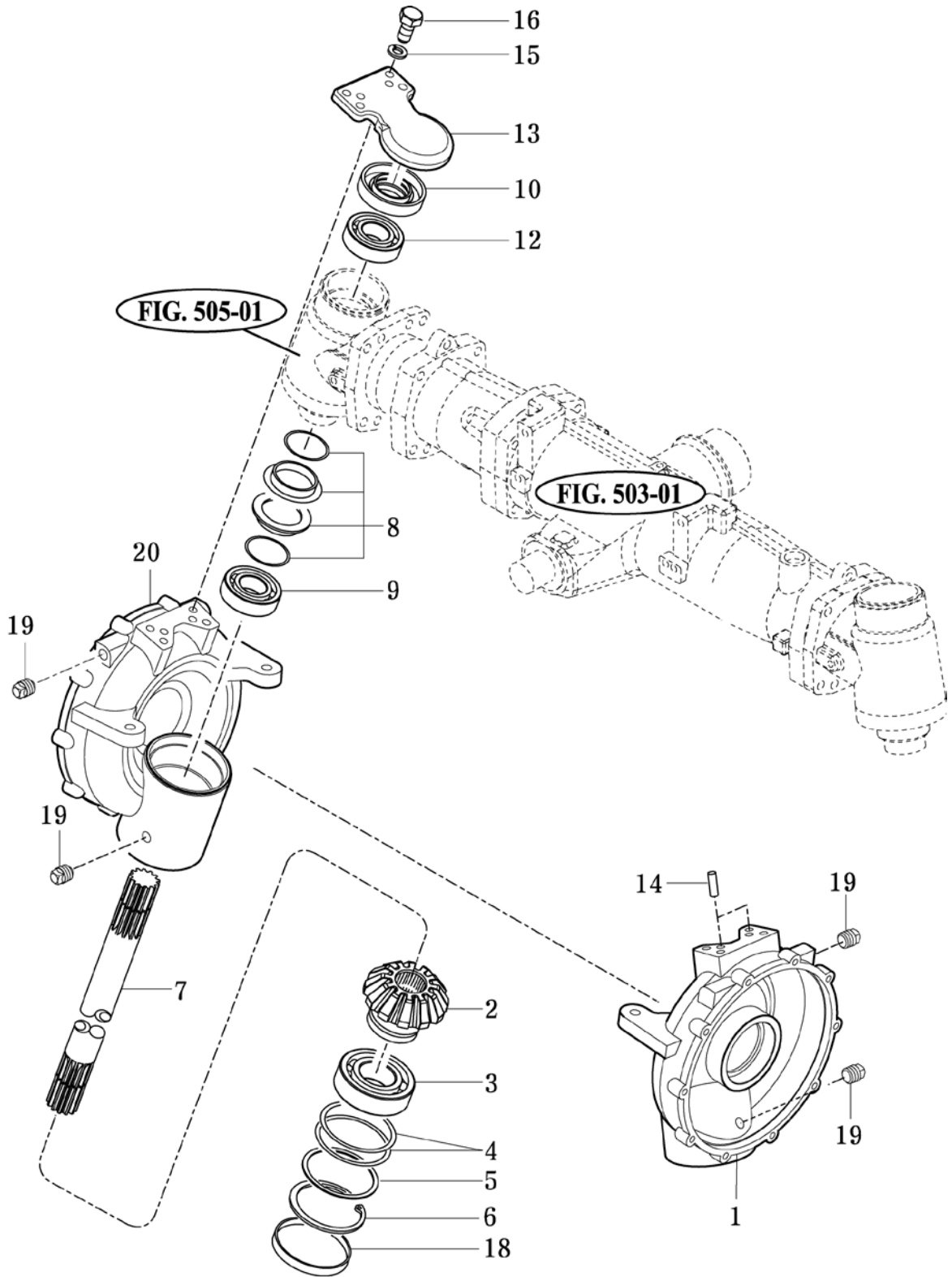
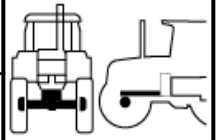
T7074

FRONT GEAR CASE (2)

P1

Month/Year

02 / 2006



T720-K-506A

NOTE

FIG 507

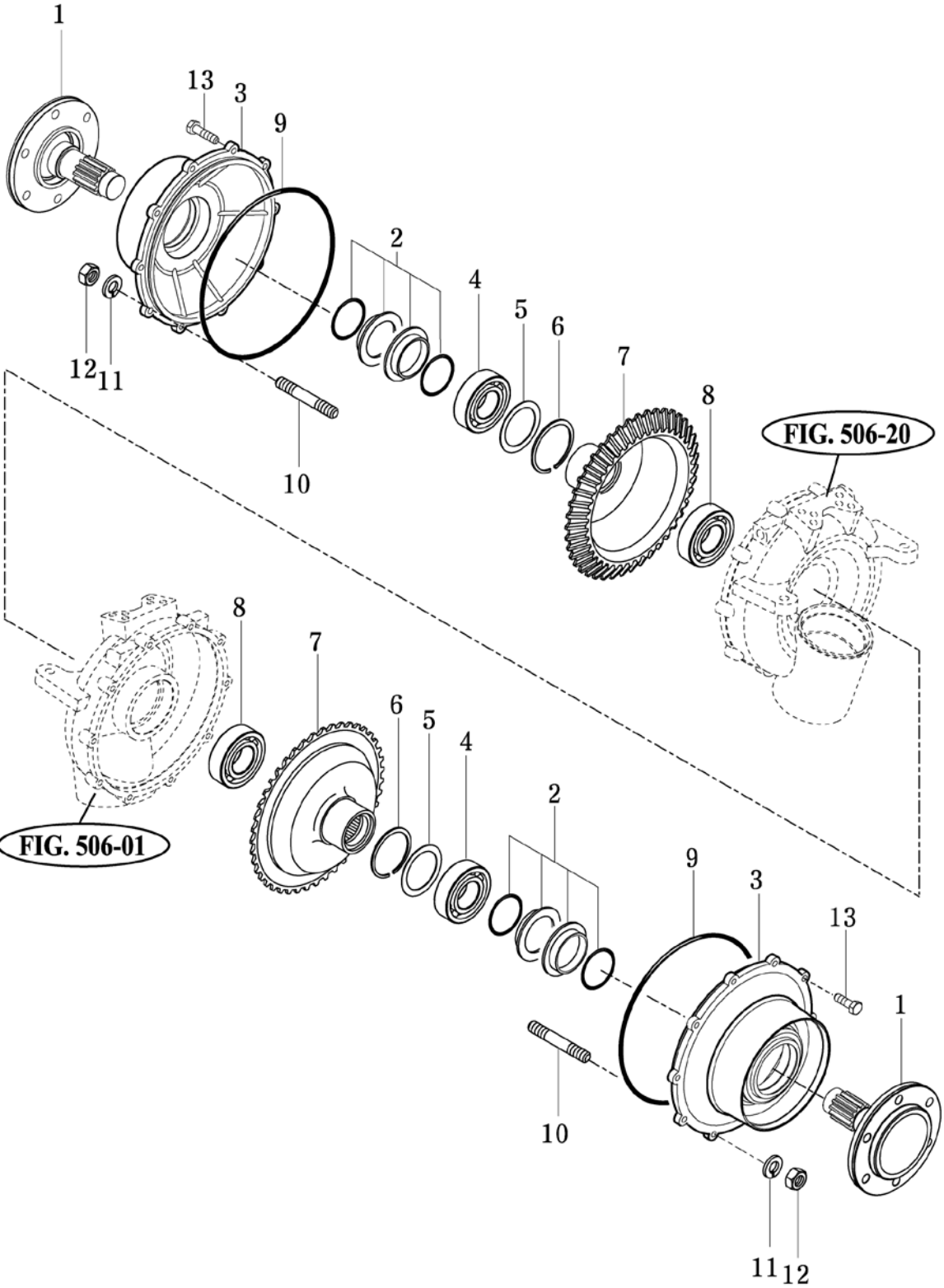
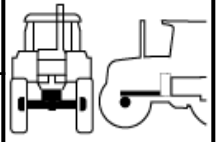
T7074

FRONT GEAR CASE (3)

P1

Month/Year

02 / 2006



T720-K-507A

NOTE

FIG 601

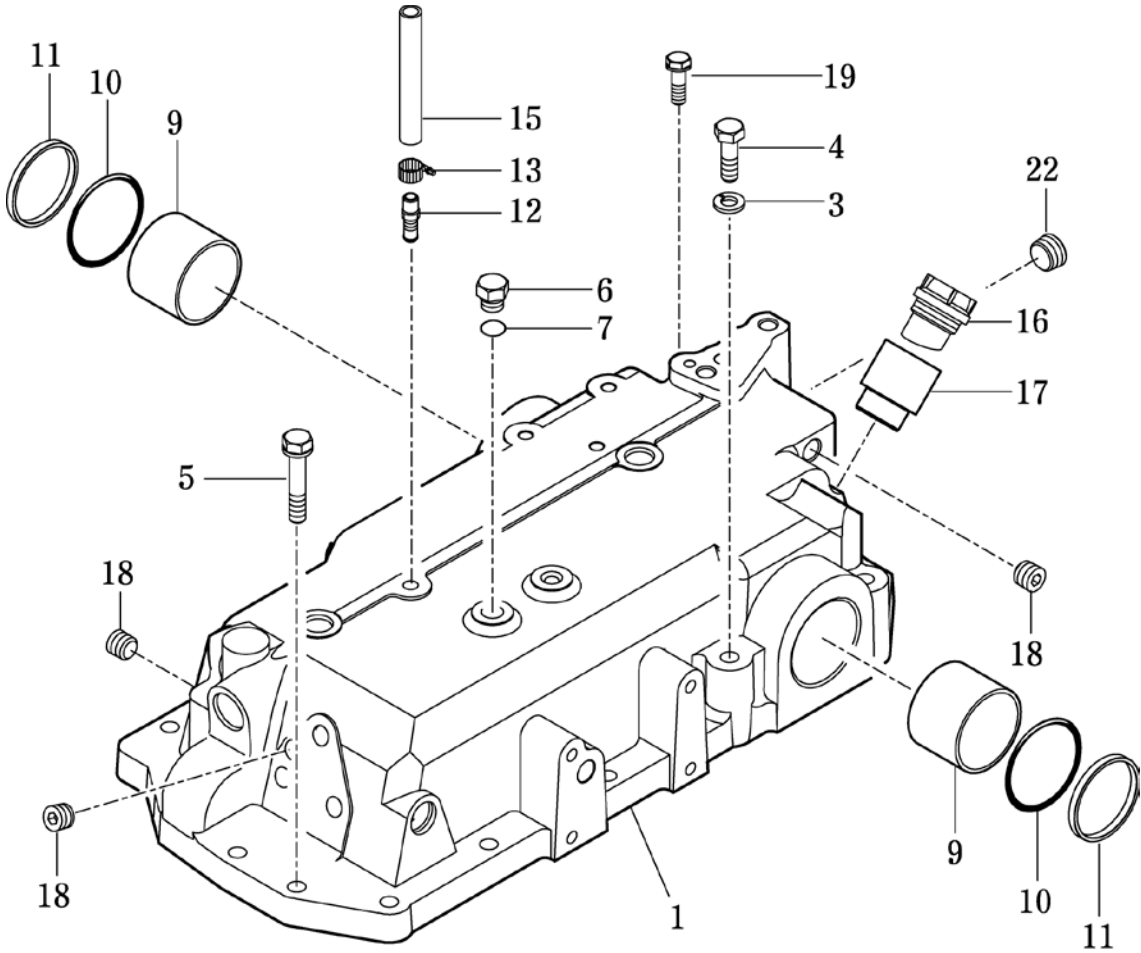
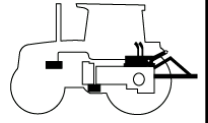
T7074

CYLINDER CASE

P1

Month/Year

02 / 2006



T720-K-601B

NOTE

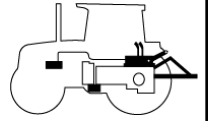
FIG 602

LIFT ARM

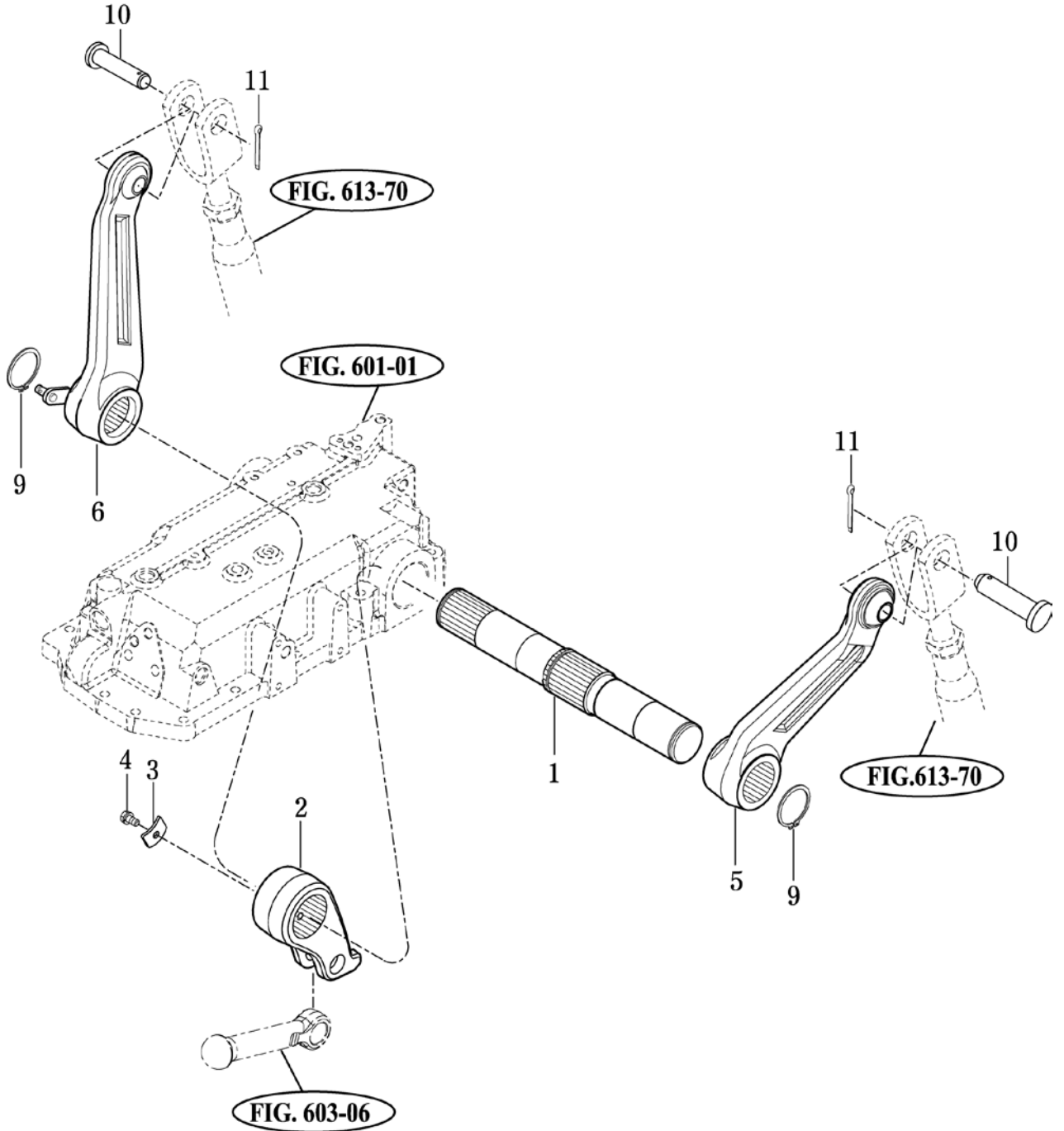
P1

Month/Year

02 / 2006



T7074



T720-K-602A

NOTE

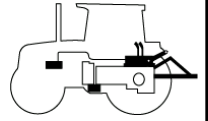
FIG 603

CYLINDER

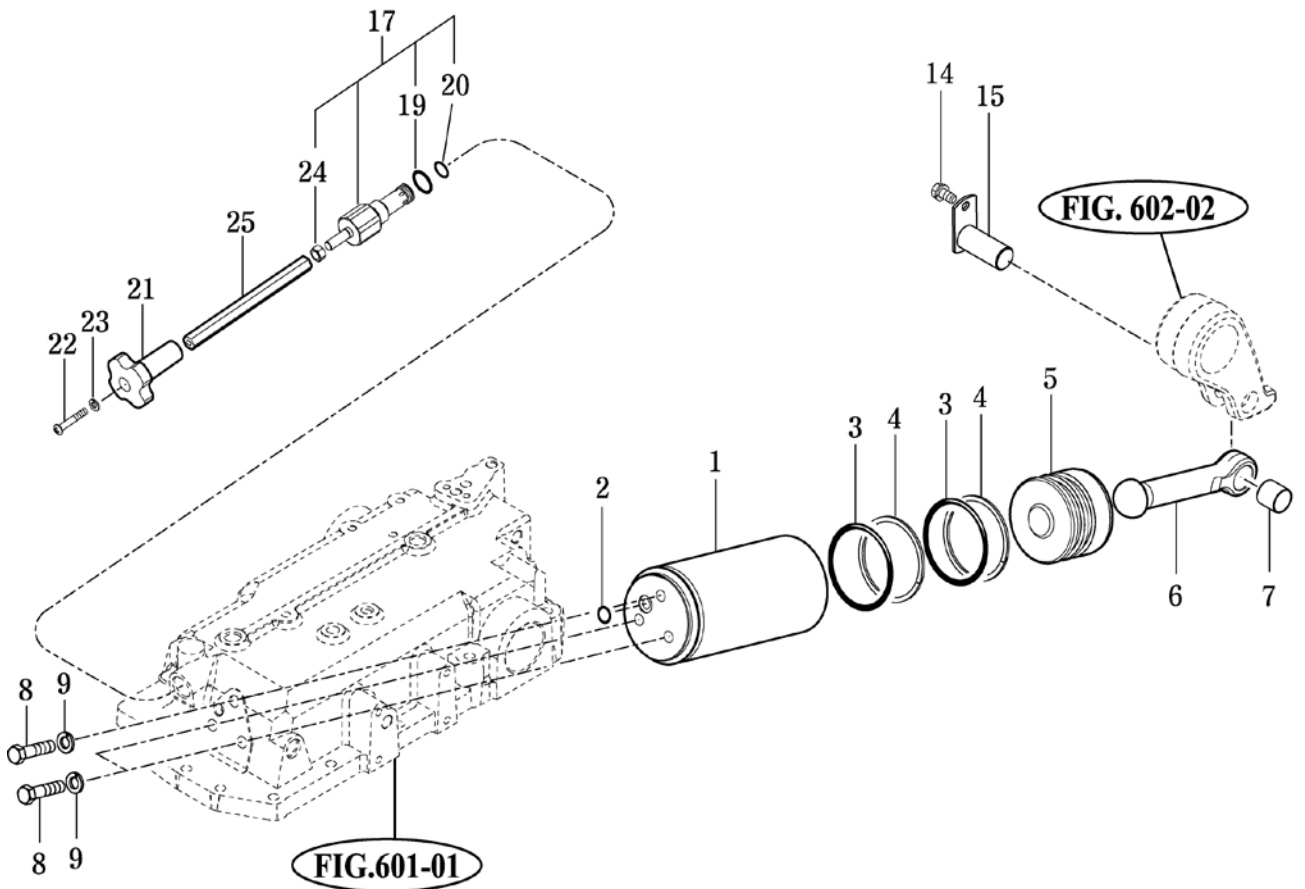
P1

Month/Year

02 / 2006



T7074



T720-K-603A

NOTE

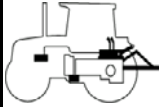
FIG 603		CYLINDER				P1	Month / Year	
							02 / 2006	
							T7074	
KEY NO.	PART NO.	DESCRIPTION	SPEC.	Q'TY.	REPAIR	EFFECTIVE DATE	REMARKS	
603 001	17685030010M	CYLINDER COMP		1				
603 002	V7201124014	O-RING , P	P14	1	B			
603 003	17685030030	O-RING		2	B			
603 004	17685030040	RING		2	B			
603 005	17685030050M	PISTON , HYD.		1				
603 006	17995030060M	ROD , PISTON		1				
603 007	17995030070	BUSH		1				
603 008	V2024612050	BOLT , HEX FINE	M12X50	3				
603 009	V4011600120	WASHER , SPRING	M12	3				
603 014	V2173608016	BOLT , HEX/S	M8X16	1				
603 015	17995031500	PIN COMP , HYD		1				
603 017	15640040001	VALVE , SUB FLOW CONTROL		1	C			
603 019	V7201124022	O-RING , P		1	B			
603 020	V7201124016	O-RING , P		1	B			
603 021	15605070070	KNOB , SLOW RETURN		1				
603 022	V1112606040	SCREW , C/R PAN	M6X40	1				
603 023	V4011600060	WASHER , SPRING	M6	1				
603 024	V3042600100	NUT , HEX/2	M10	1				
603 025	17685070130	SHAFT . SLOW/RETURN		1				
NOTE								

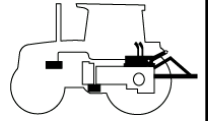
FIG 605

CONTROL VALVE

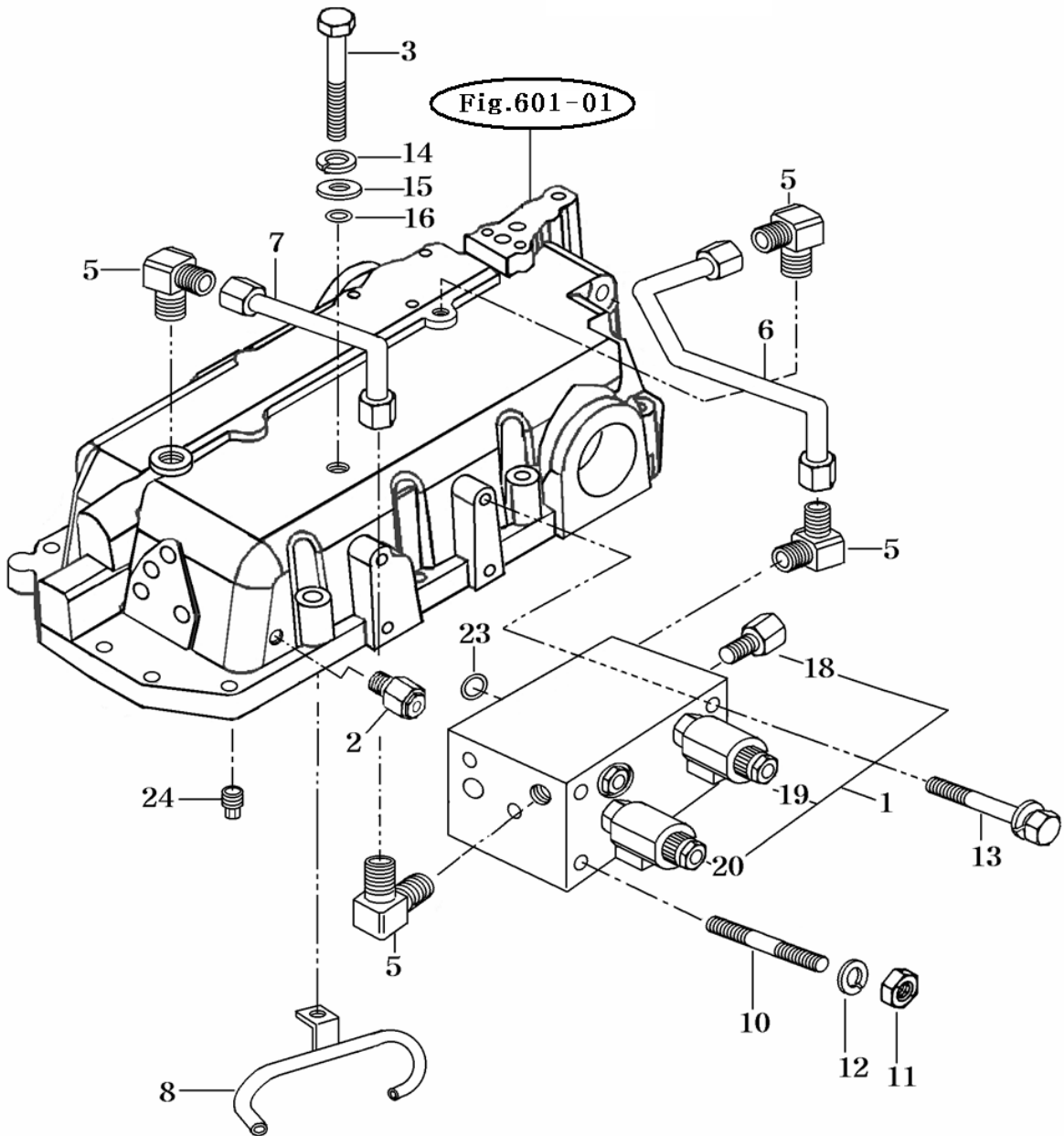
P1

Month/Year

02 / 2006



T7074



NOTE

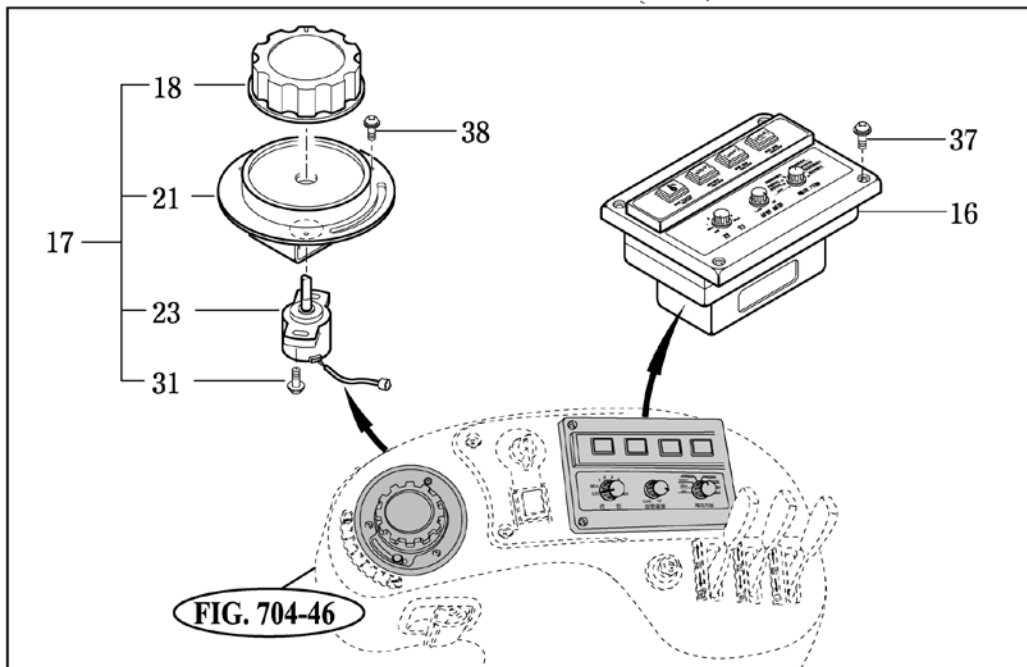
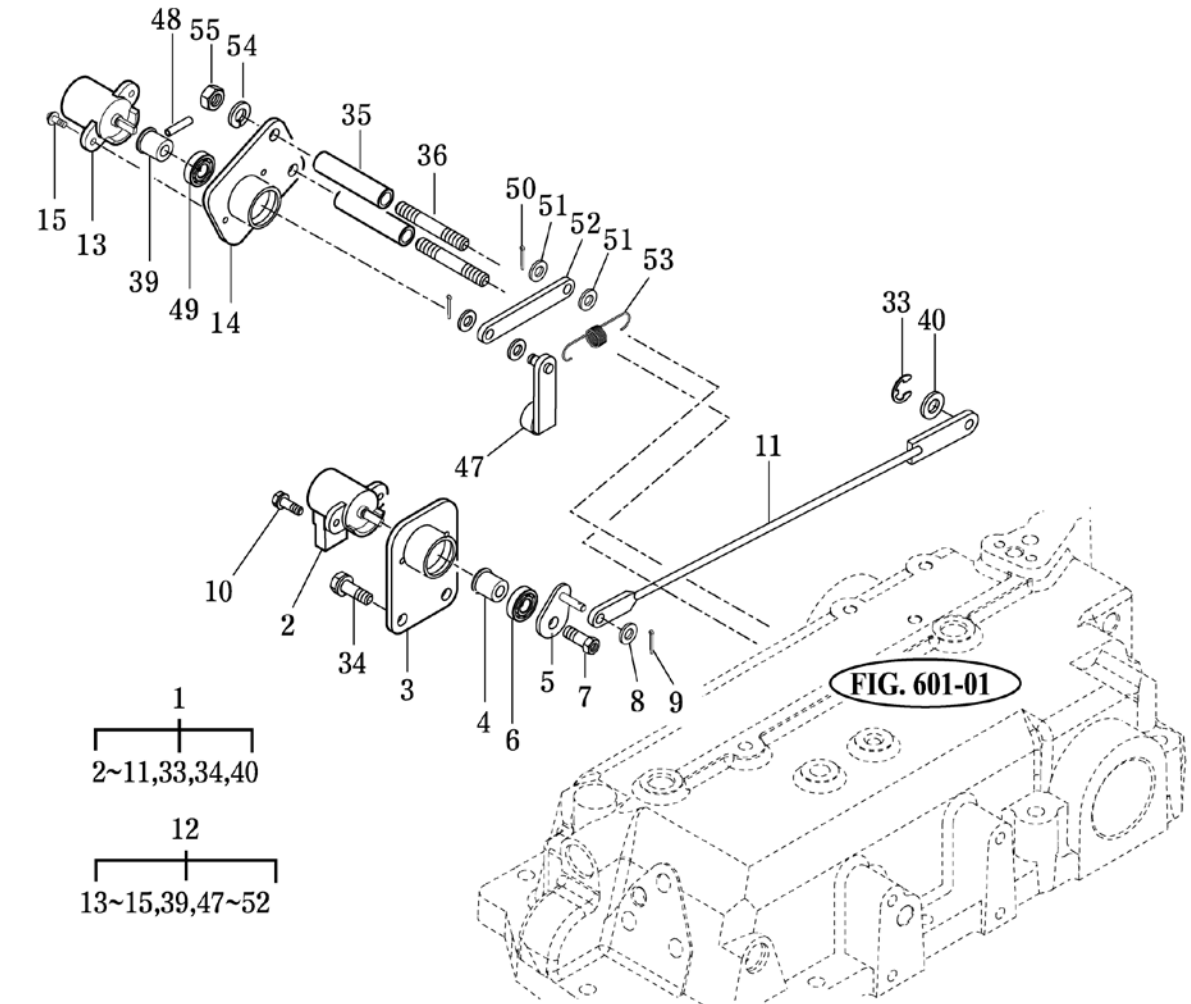
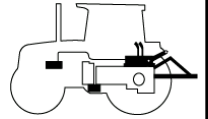
FIG 606

DRAFT LINK

P1

Month/Year

02 / 2006



T7074-E-606A

NOTE

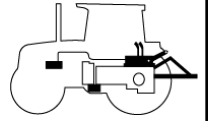
FIG 607

HYDRAULIC PIPE & PUMP

P1

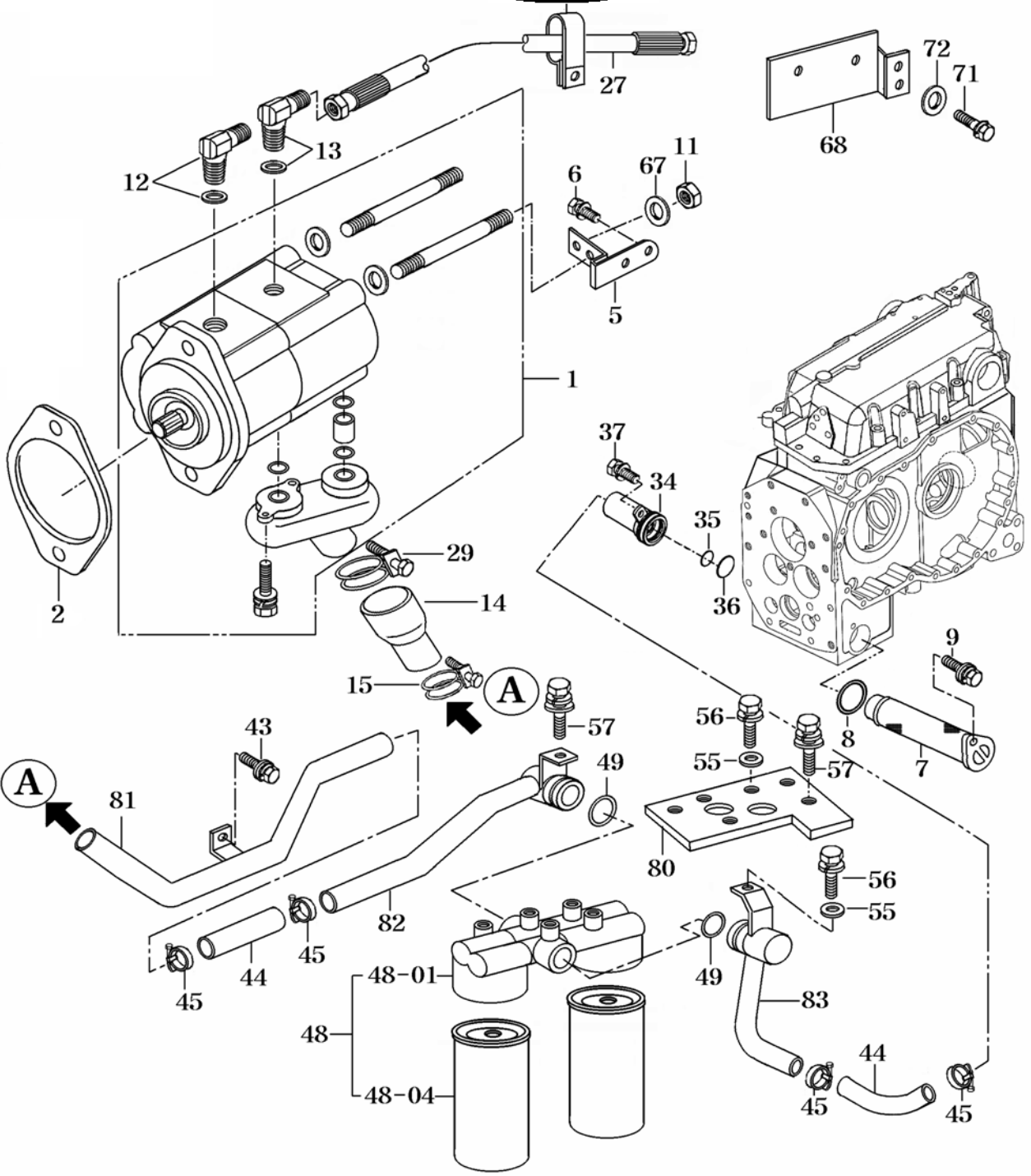
Month/Year

02 / 2006



T7074

Fig.501-20



NOTE

FIG 608

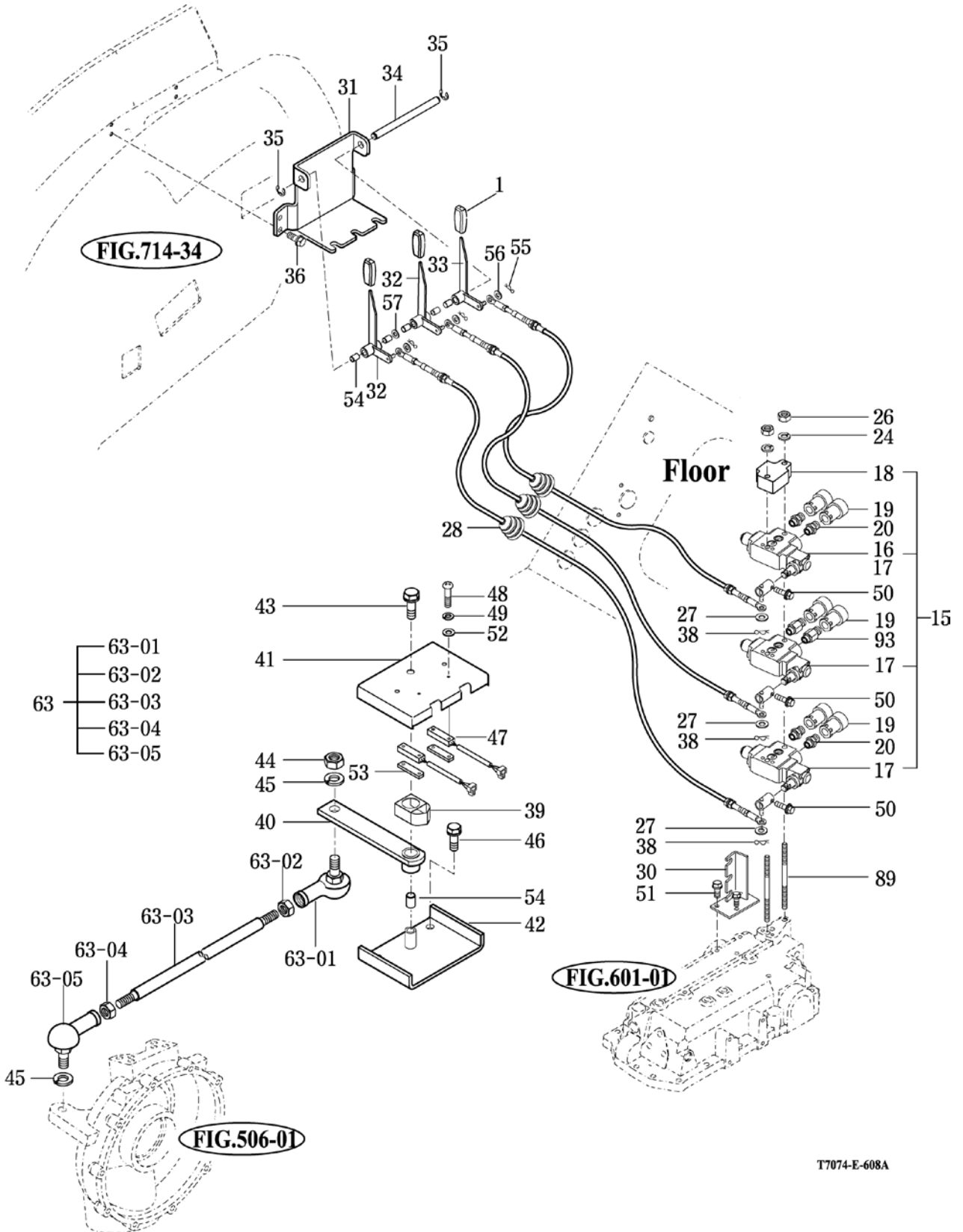
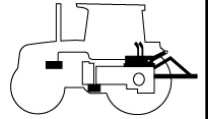
T7074

EXTERIOR HYD. VALVE & BACK UP SYSTEM

P1

Month/Year

02 / 2006



T7074-E-608A

NOTE

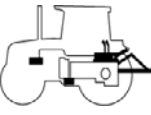
FIG 608		EXTERIOR HYD. VALVE & BACK UP SYSTEM			P1	Month / Year	
T7074						02 / 2006	
KEY NO.	PART NO.	DESCRIPTION	SPEC.	Q'TY.	REPAIR	EFFECTIVE DATE	REMARKS
608 001	14322420040	CLIP		3			
608 015	17695080151	VALVE ASSY , AUX EXTERIOR 6P		1			
608 016	17685080950	VALVE , DETENT		1			
608 017	17685080961	VALVE , SPRING		2			
608 018	17995080970	COVER , EXTERIOR HYD.		1			
608 019	16995152360	COUPLING , 1/2		6			
608 020	17995080201	UNION , 1/2		4			
608 024	V4011600100	WASHER , SPRING	M10	2			
608 026	V3042600100	NUT , HEX/2	M10	2			
608 027	V4111600060	WASHER , PLAIN	M6	3			
608 028	17681160280	BOOT , WIRE		3			
608 029	17681162900	WIRE COMP		3	C		
608 030	17685013000	BRACKET COMP . A		1			
608 031	17685013101	BRACKET , B		1			
608 032	17685013200	LEVER COMP . A		2			
608 033	17685013300	LEVER COMP . B		1			
608 034	17685013400	SHAFT , LEVER		1			
608 035	V7081400080	E-RING	8	2			
608 036	V2173608020	BOLT , HEX/S	M8X20	4			
608 037	17685013700	LINK COMP . VALVE		1			
608 038	21306010180	PIN , SNAP(6)		3			
608 039	17685013901	GUIDE . PST		1			
608 040	17685014001	LINK COMP . PST		1			
608 041	17685014101	BRACKET . PST		1			
608 042	17685014200	BRACKET . PST		1			
608 043	V2173608016	BOLT , HEX/S	M8X16	1			
608 044	V3042600080	NUT , HEX/2	M8	1			
608 045	V4011600080	WASHER , SPRING	M8	2			
608 046	V2173608016	BOLT , HEX/S	M8X16	2			
608 047	17682153200	SWITCH		2	C		
608 048	V1112603016	SCREW . C/R PAN	M3X16	4			
608 049	V4011600030	WASHER , SPRING	M3	4			
608 050	V2183608030	BOLT , HEX/SP	M8X30	3			
608 051	V2173608016	BOLT , HEX/S	M8X16	3			
608 052	V4111600030	WASHER , PLAIN	M3	4			
608 053	36424960072	PLATE , SPRING		2			
608 054	36504400140	BUSH , 12X14X20		5			
608 055	21306010180	PIN , SNAP(6)		3			
608 056	V4111600060	WASHER , PLAIN	M6	3			
608 057	V4111600120	WASHER , PLAIN	M12	1			
608 063	17685309300	LINK COMP		1			
608 06301	36402200050	ELBOW , LH		1			
608 06302	15601320073	NUT , HEX LH		1			
608 06303	17685309320	ROD		1			
608 06304	V3042600080	NUT , HEX/2	M8	1			
608 06305	36402200040	ELBOW , RH		1			
608 089	17995080890	BOLT , STUD 170		2			
608 093	17995080931	UNION , 1/2 L60		2			
NOTE							

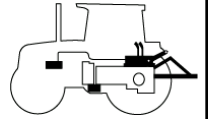
FIG 609

HYDRAULIC HOSE

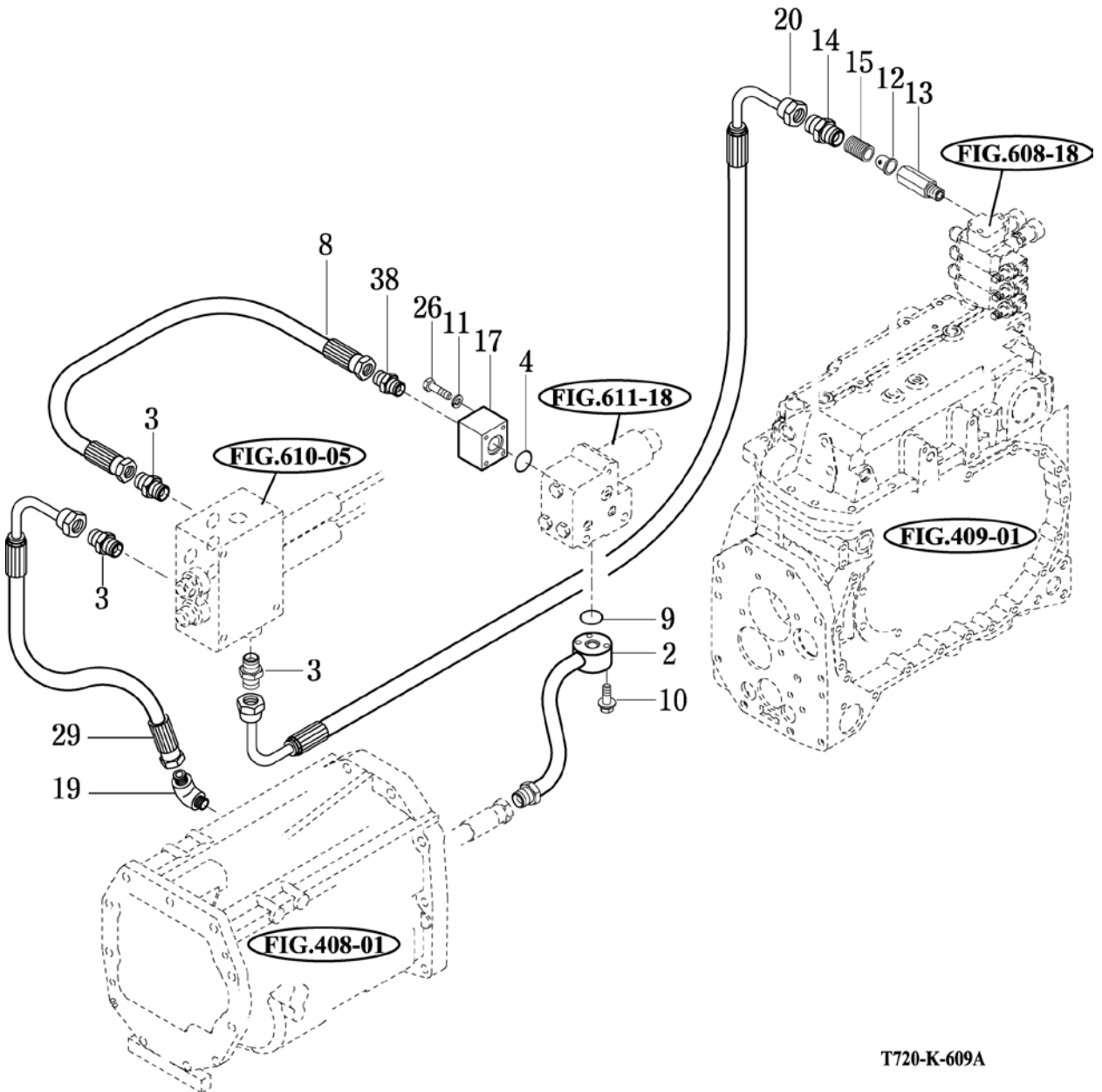
P1

Month/Year

02 / 2006



T7074



T720-K-609A

NOTE

FIG 610

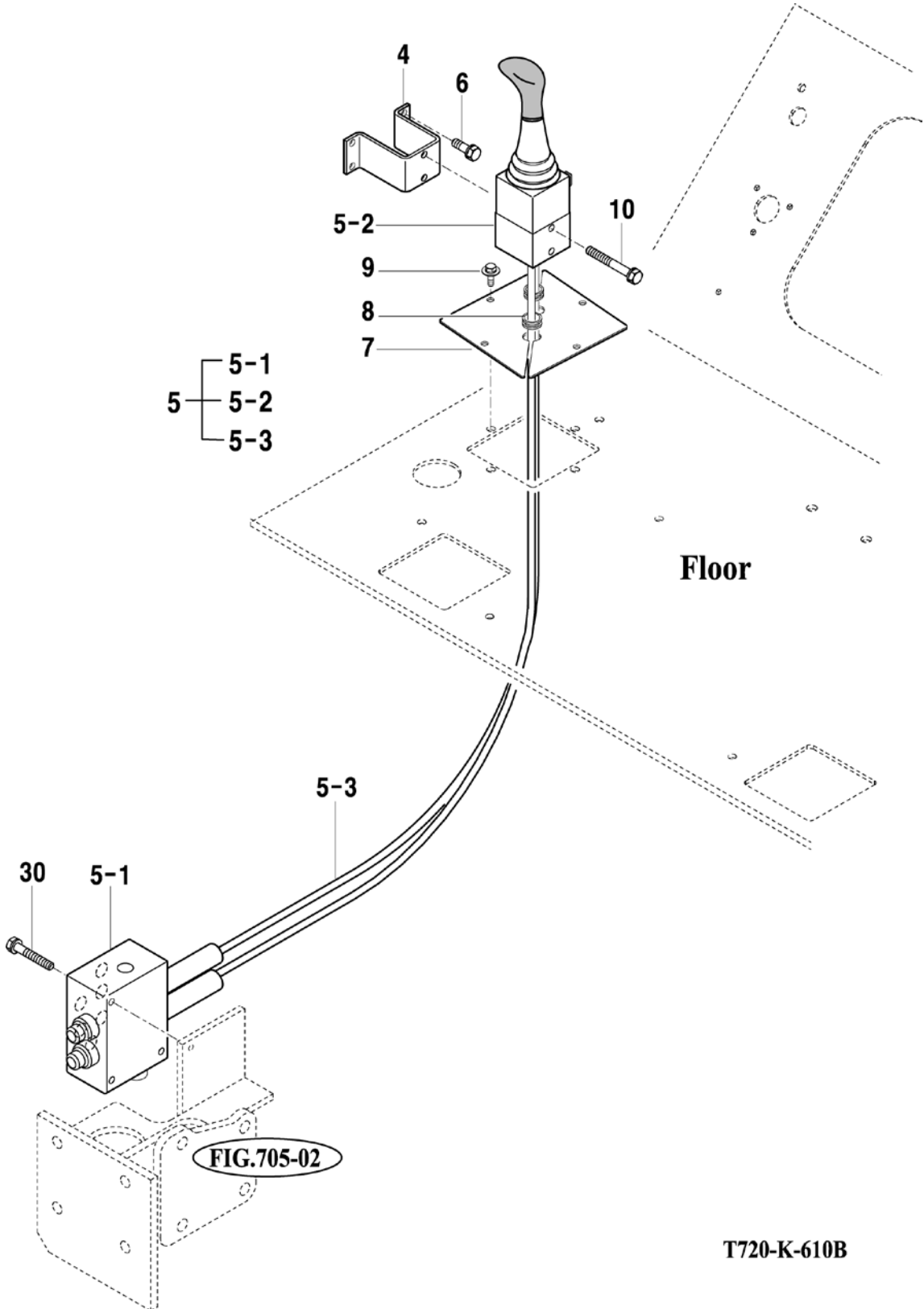
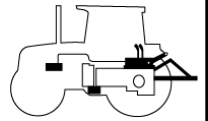
T7074

JOYSTICK

P1

Month/Year

02 / 2006



T720-K-610B

NOTE

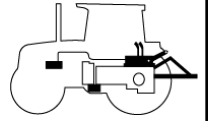
FIG 611

P.T.O VALVE & RELIEF VALVE

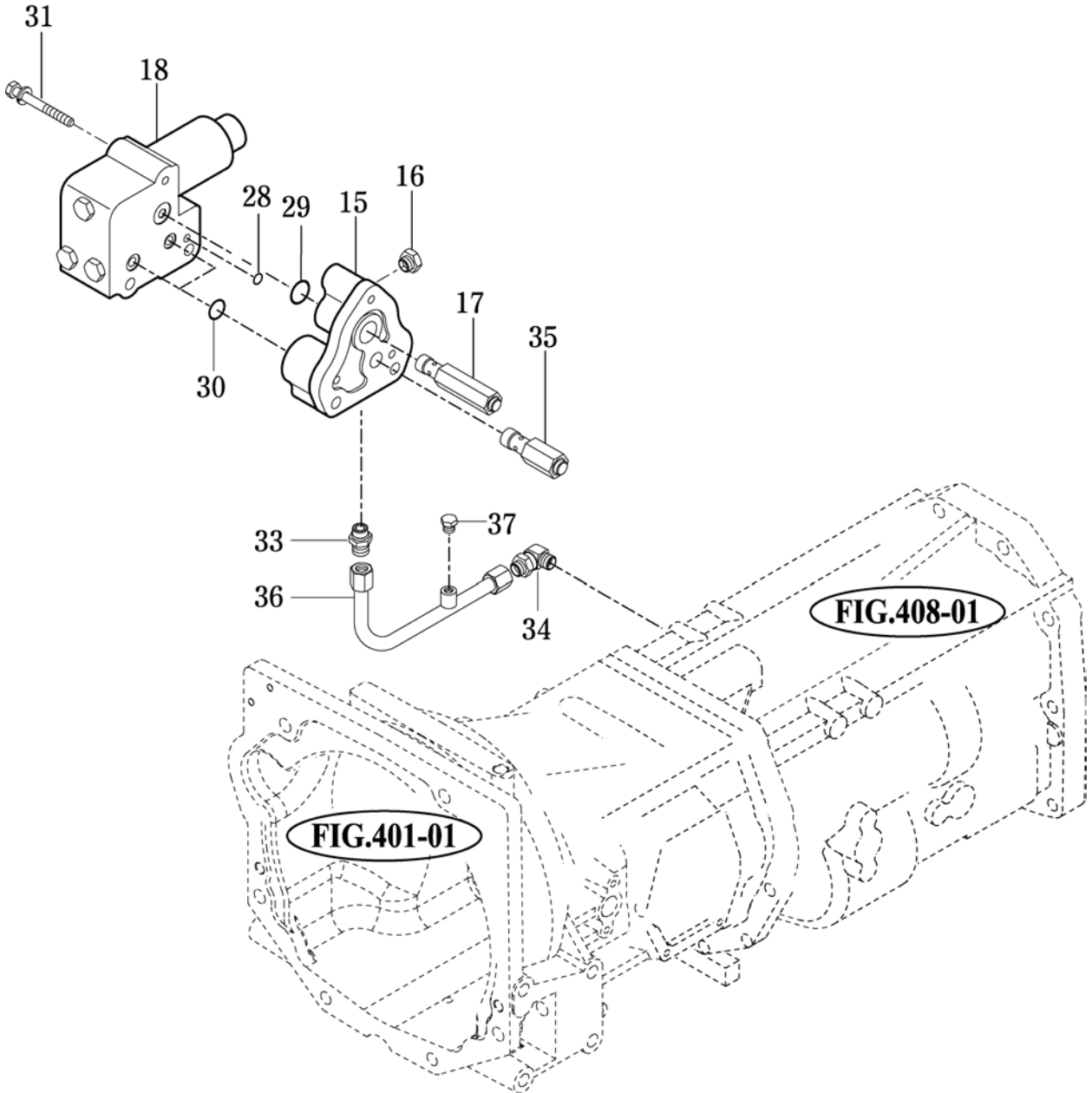
P1

Month/Year

02 / 2006



T7074



T7074-E-611A

NOTE

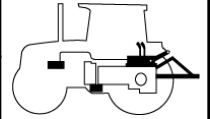
FIG 612

HITCH & 3-POINT LINK

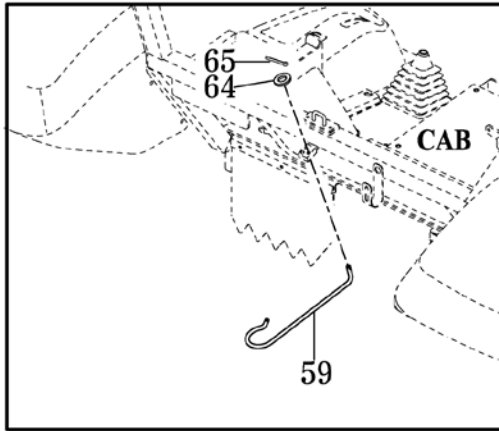
P1

Month/Year

02 / 2006

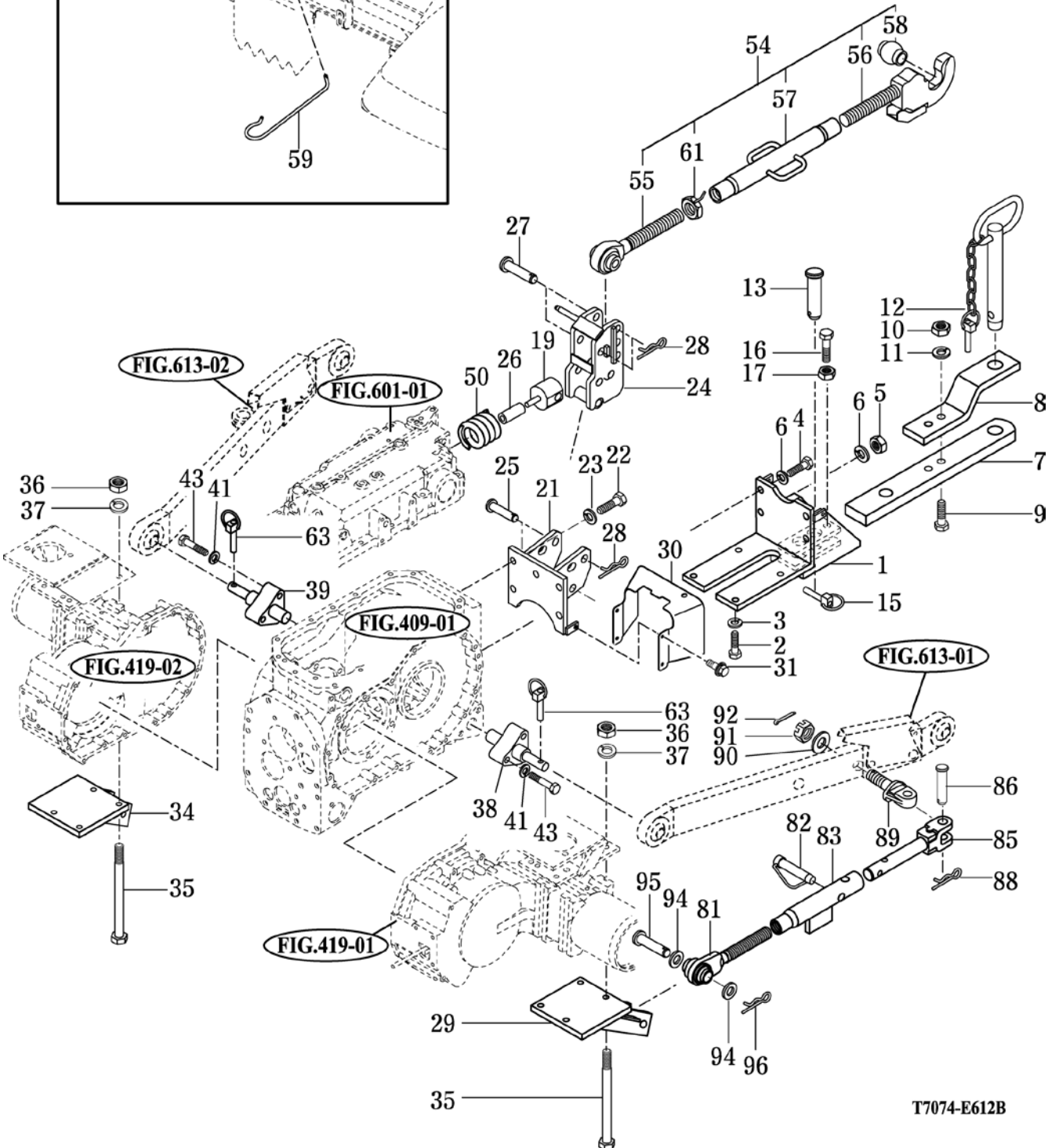


T7074



18
19, 21, 24~28

80
81 ~ 92



T7074-E612B

NOTE

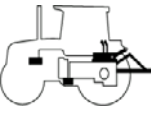
FIG 612		HITCH & 3-POINT LINK			P1	Month / Year	
T7074						02 / 2006	
KEY NO.	PART NO.	DESCRIPTION	SPEC.	Q'TY.	REPAIR	EFFECTIVE DATE	REMARKS
612 001	18995202000G	BRACKET COMP , DRAW		1			
612 002	V2013614035	BOLT , HEX	M14X35	4			
612 003	V4011600140	WASHER , SPRING	M14	4			
612 004	V2013616035	BOLT , HEX	M16X35	2			
612 005	V3043600160	NUT , HEX/2	M16	2			
612 006	V4011600160	WASHER , SPRING	M16	4			
612 007	18992470010	LINK , DRAW BAR		1			
612 008	1899247002GE	LINK , HITCH		1			
612 009	V2004616080	BOLT , HEX	M16X80	2			
612 010	15189240010	NUT , U	M16	2			
612 011	V4011600160	WASHER , SPRING	M16	2			
612 012	S0973063031	PIN ASSY		1			
612 013	15062470050	PIN , DRAW BAR		1			
612 015	14215020020	PIN , LINK		1			
612 016	V2013610030	BOLT , HEX	M10X30	1			
612 017	V3043600100	NUT , HEX/2	M10	1			
612 018	17685200501	BRACKET SUB		1			
612 019	17685223100G	GUIDE COMP		1			
612 021	17685222001G	BRACKET COMP		1			
612 022	V2013616035	BOLT , HEX	M16X35	5			
612 023	V4011600160	WASHER , SPRING	M16	5			
612 024	17685222103G	BRACKET COMP		1			
612 025	15645250010	PIN , 19X122		2			
612 026	17995220990	RUBBER , GUIDE		1	B		
612 027	15645220020	PIN , 19X95		2			
612 028	14445140051	PIN , 19		4			
612 029	17685254100G	BRACKET COMP , LH		1			
612 030	17665200010G	COVER , SHIELD		1			
612 031	V2183608016	BOLT , HEX/SP	M8X16	4			
612 034	17685254200G	BRACKET COMP . RH		1			
612 035	V2014612185	BOLT , HEX	M12X185	8			
612 036	V3043600120	NUT , HEX	M12	8			
612 037	V4011600120	WASHER , SPRING	M12	8			
612 038	17405252710	PIN , LOWER LINK		1			
612 039	17405252810	PIN , LOWER LINK		1			
612 041	V4011600140	WASHER , SPRING	M14	6			
612 043	V2013614060	BOLT , HEX	M14X60	6			
612 050	15685100020G	SPRING , HC 067		1			
612 054	17995201002	LINK ASSY . TOP LINK		1			
612 055	17995201300	ROD COMP , RH		1			
612 056	17995201100	ROD COMP , LH		1			
612 057	17995201202	SLEEVE COMP		1			
612 058	17995201500	BALL , TOP LINK		1			
612 059	17684505502	STOPPER		1			
612 061	17995201400	NUT , LOCK M12		1			
612 063	14215020020	PIN , LINK		2			
612 064	V4111600060	WASHER , PLAIN		1			
612 065	V5001925015	PIN , SPLIT		1			
NOTE							

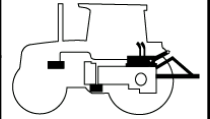
FIG 612

HITCH & 3-POINT LINK

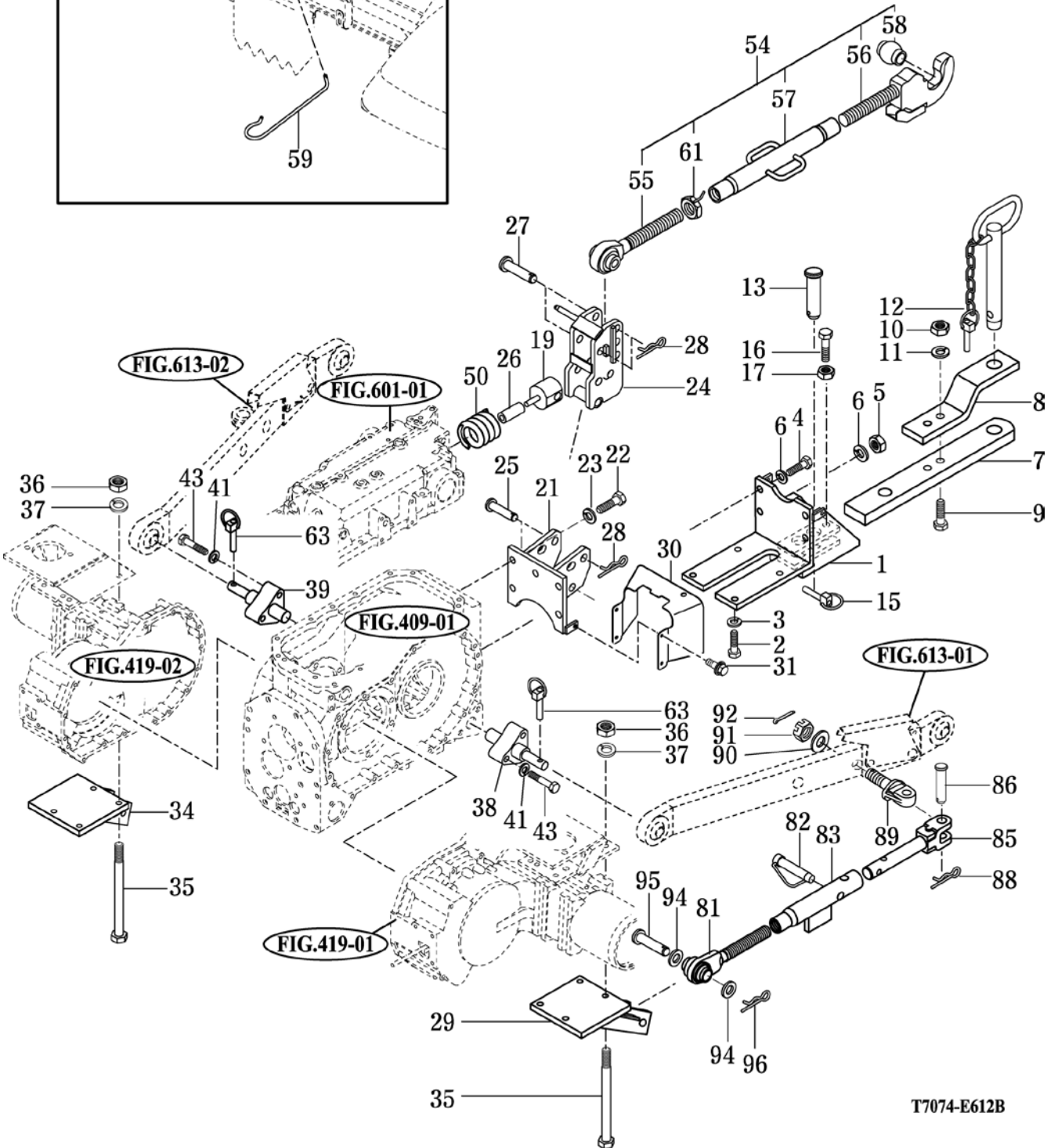
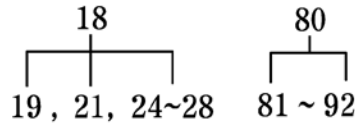
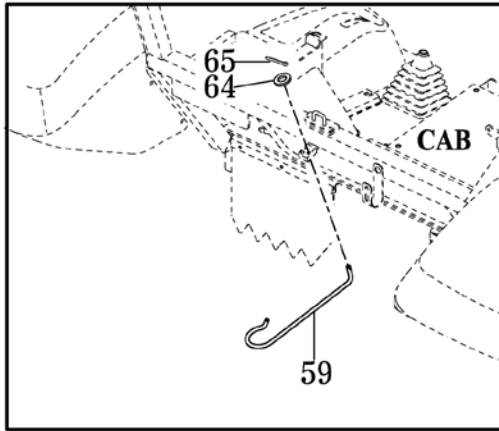
P2

Month/Year

02 / 2006



T7074



T7074-E612B

NOTE

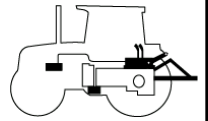
FIG 613

LOWER LINK & LIFT ROD

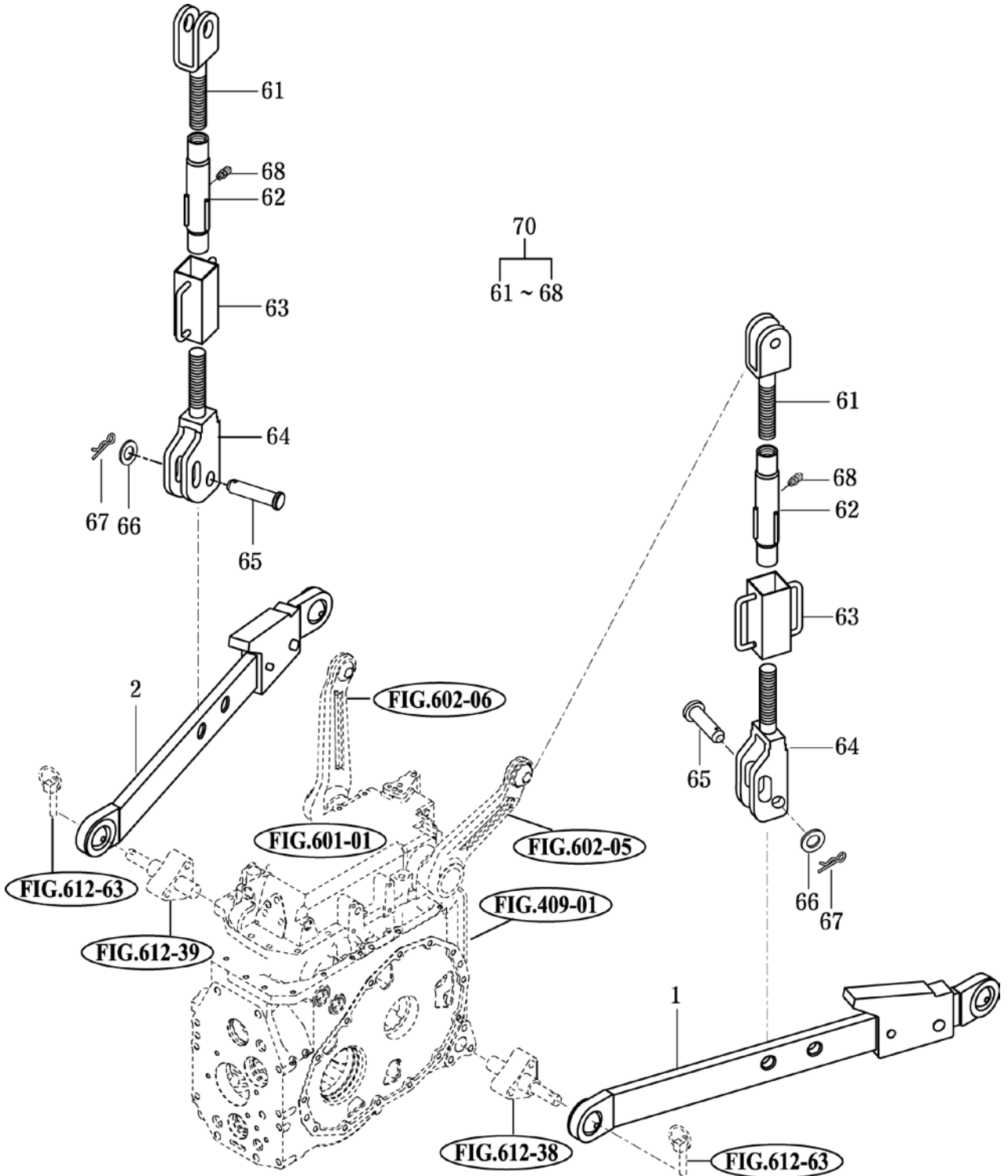
P1

Month/Year

02 / 2006



T7074



T7074-E-613A

NOTE

FIG 701

BONNET (1)

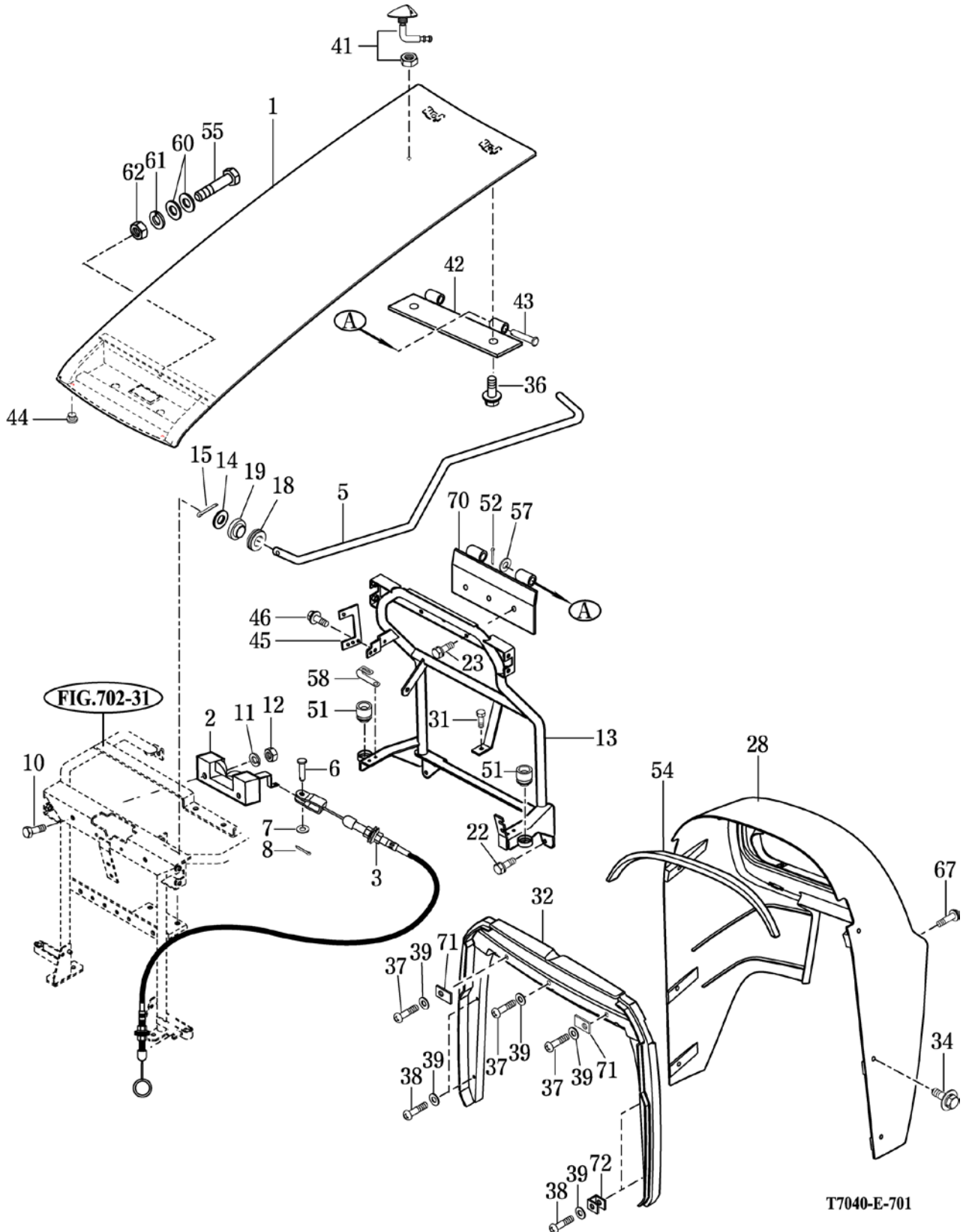
P1

Month/Year

02 / 2006



T7074



T7040-E-701

NOTE

FIG 702

BONNET (2)

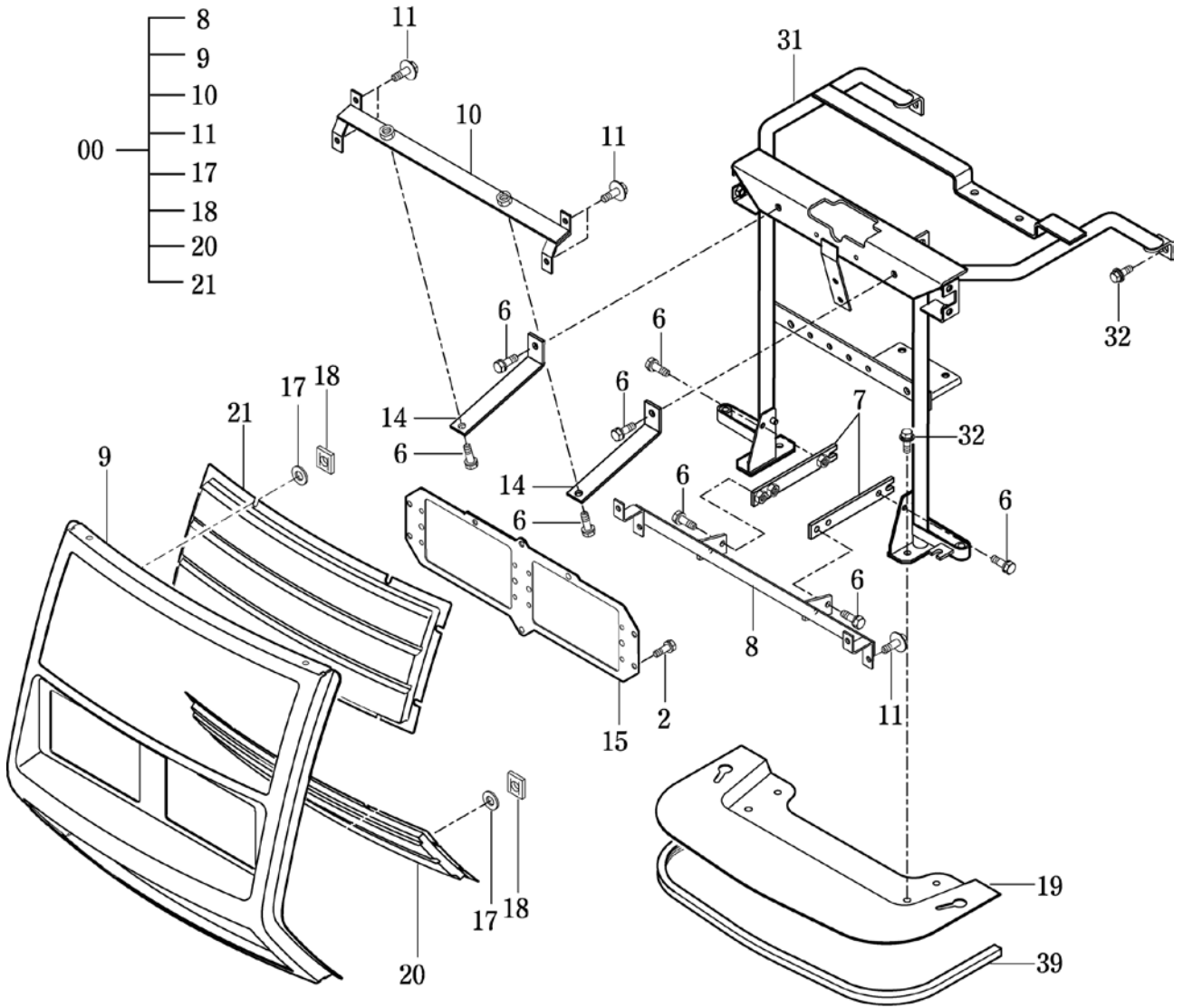
P1

Month/Year

02 / 2006



T7074



T552/T552NC -K-702A

NOTE

FIG 703

SIDE COVER

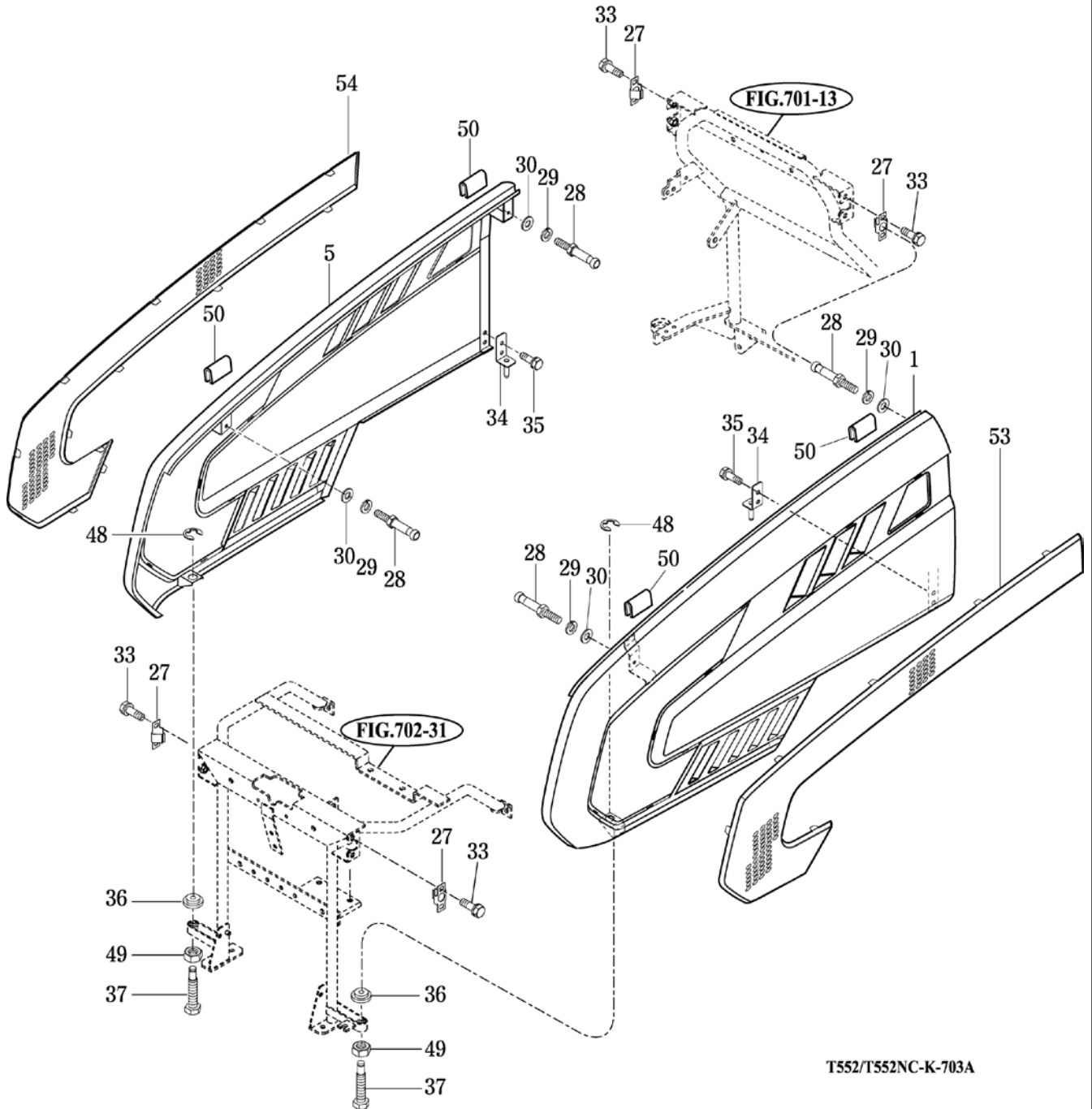
P1

Month/Year

02 / 2006



T7074



T552/T552NC-K-703A

NOTE

FIG 704

LEVER COVER

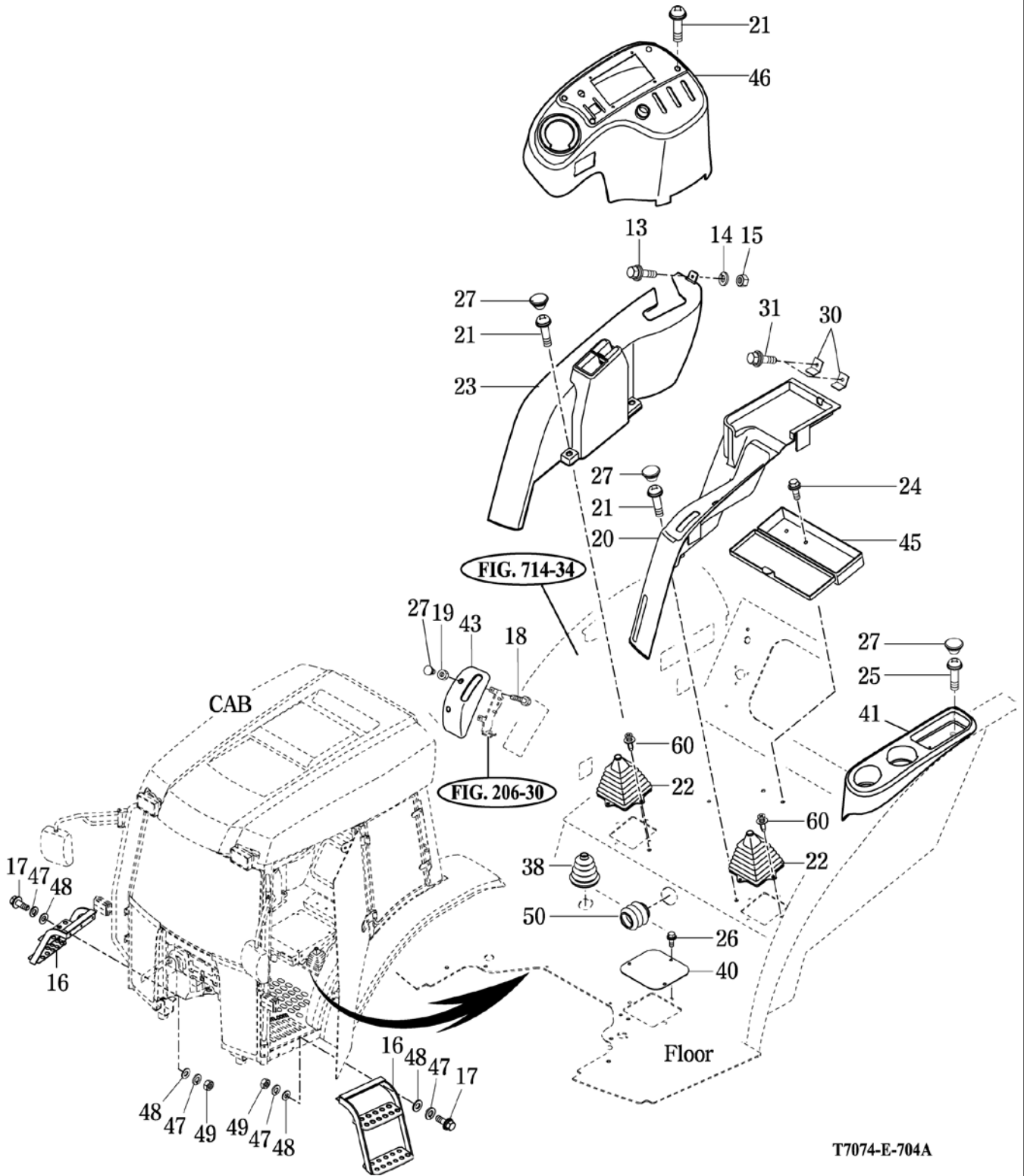
P1

Month/Year

02 / 2006



T7074

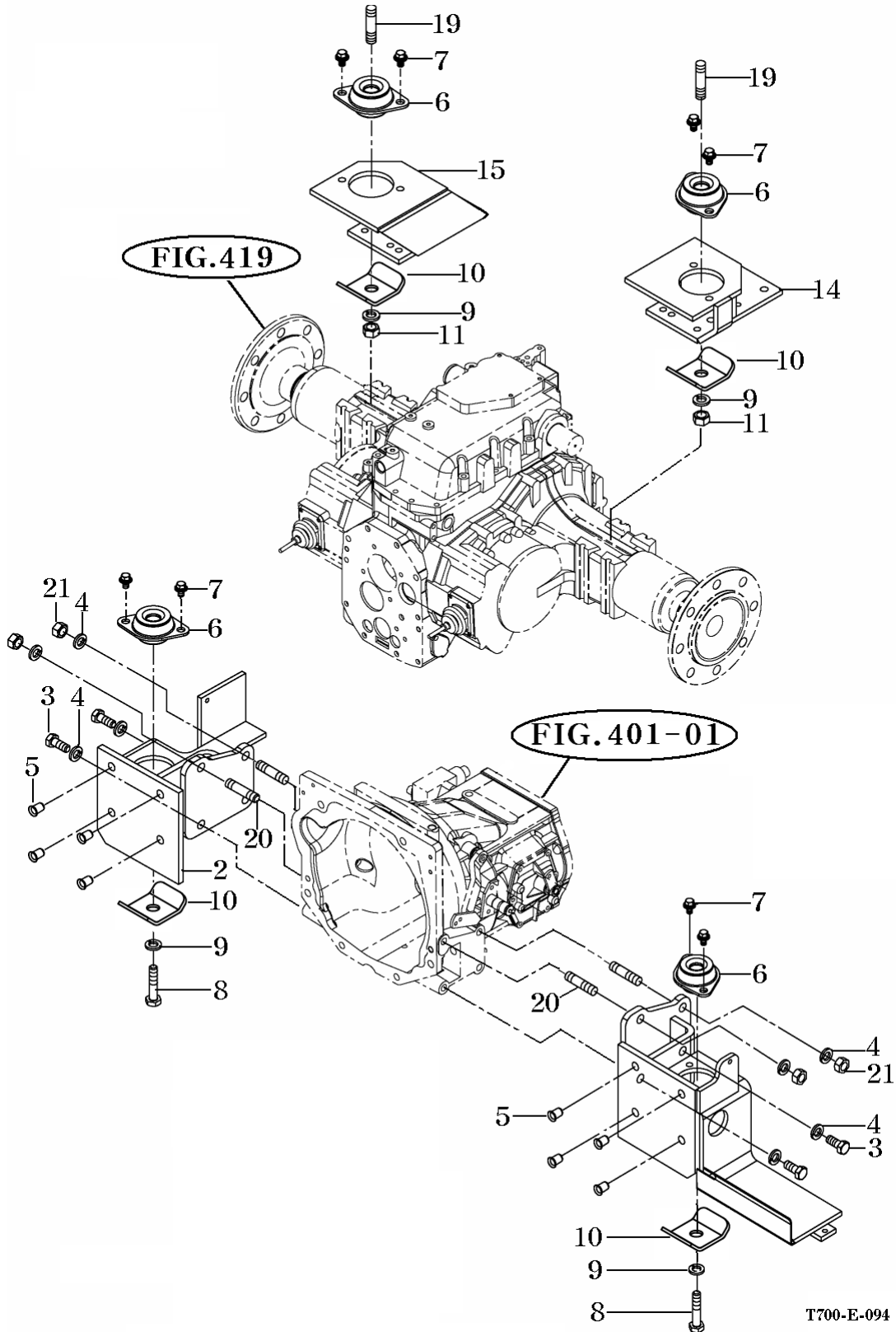


T7074-E-704A

NOTE



T7074



T700-E-094

NOTE

FIG 706

FLOOR & SEAT

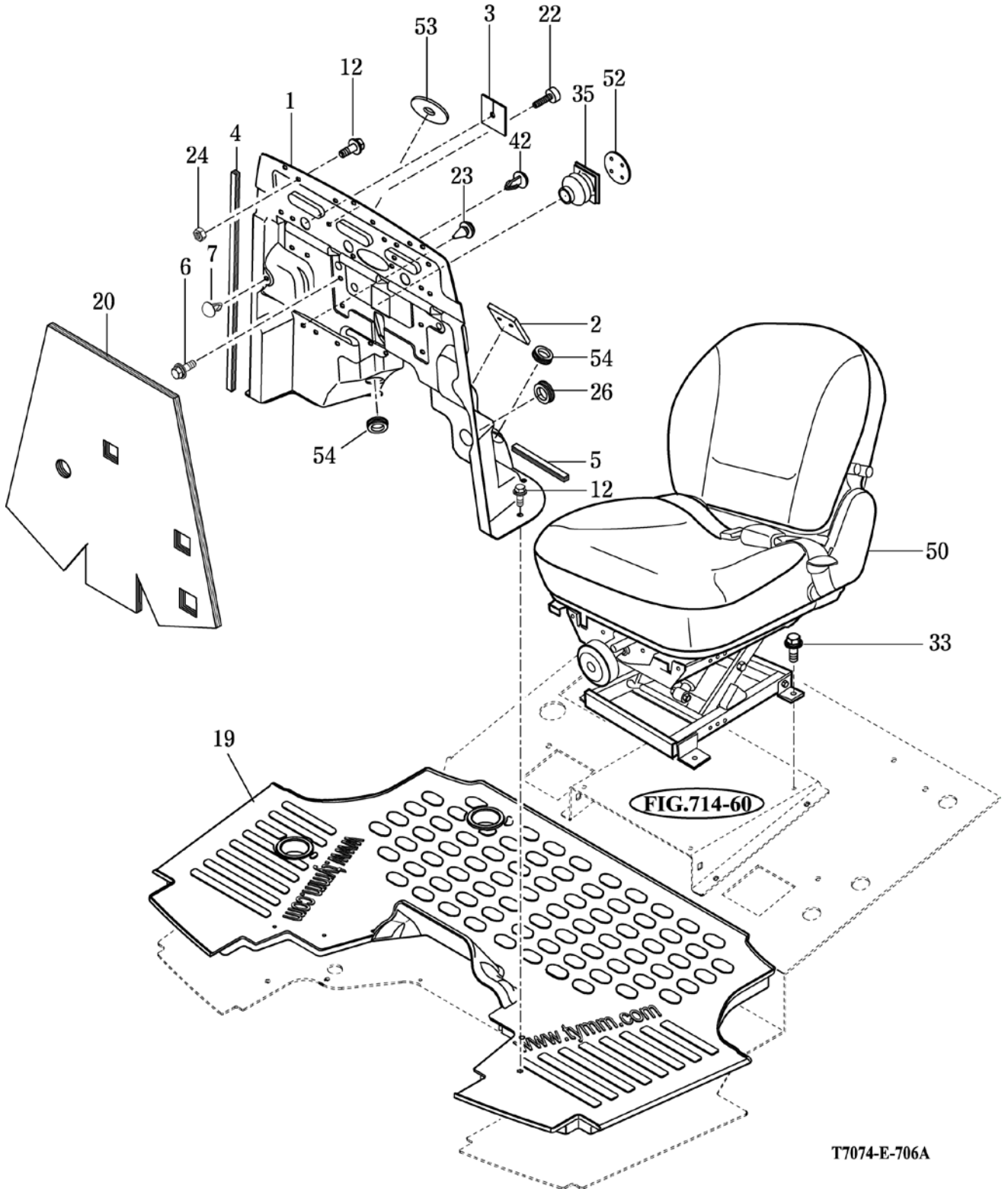
P1

Month/Year

02 / 2006



T7074



T7074-E-706A

NOTE

FIG 707

FRAME & REAR GLASS

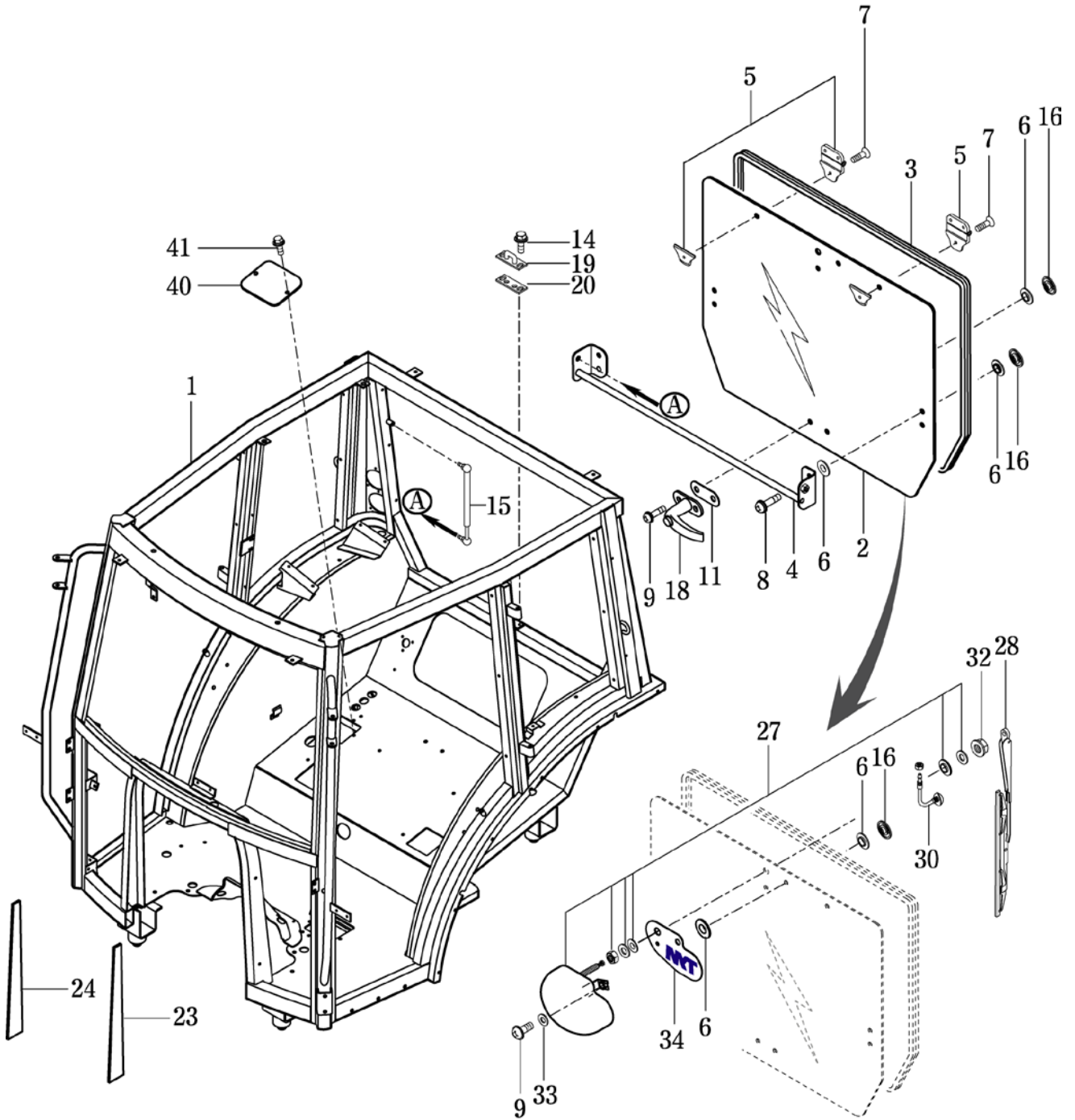
P1

Month/Year

02 / 2006



T7074



T7074-E-707A

NOTE

FIG 708

SIDE GLASS

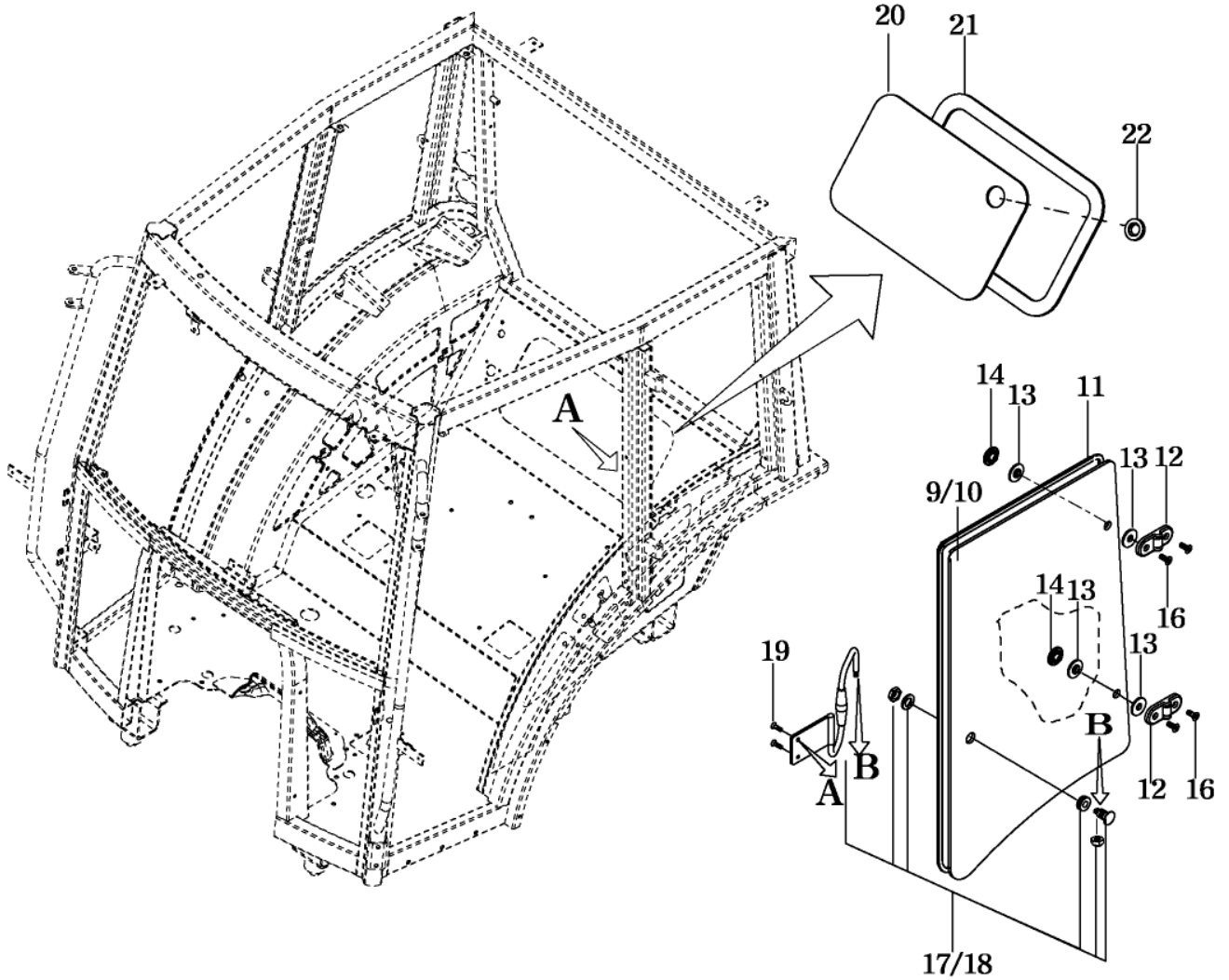
P1

Month/Year

02 / 2006



T7074



T720-K-708A

NOTE

FIG 709

DOOR

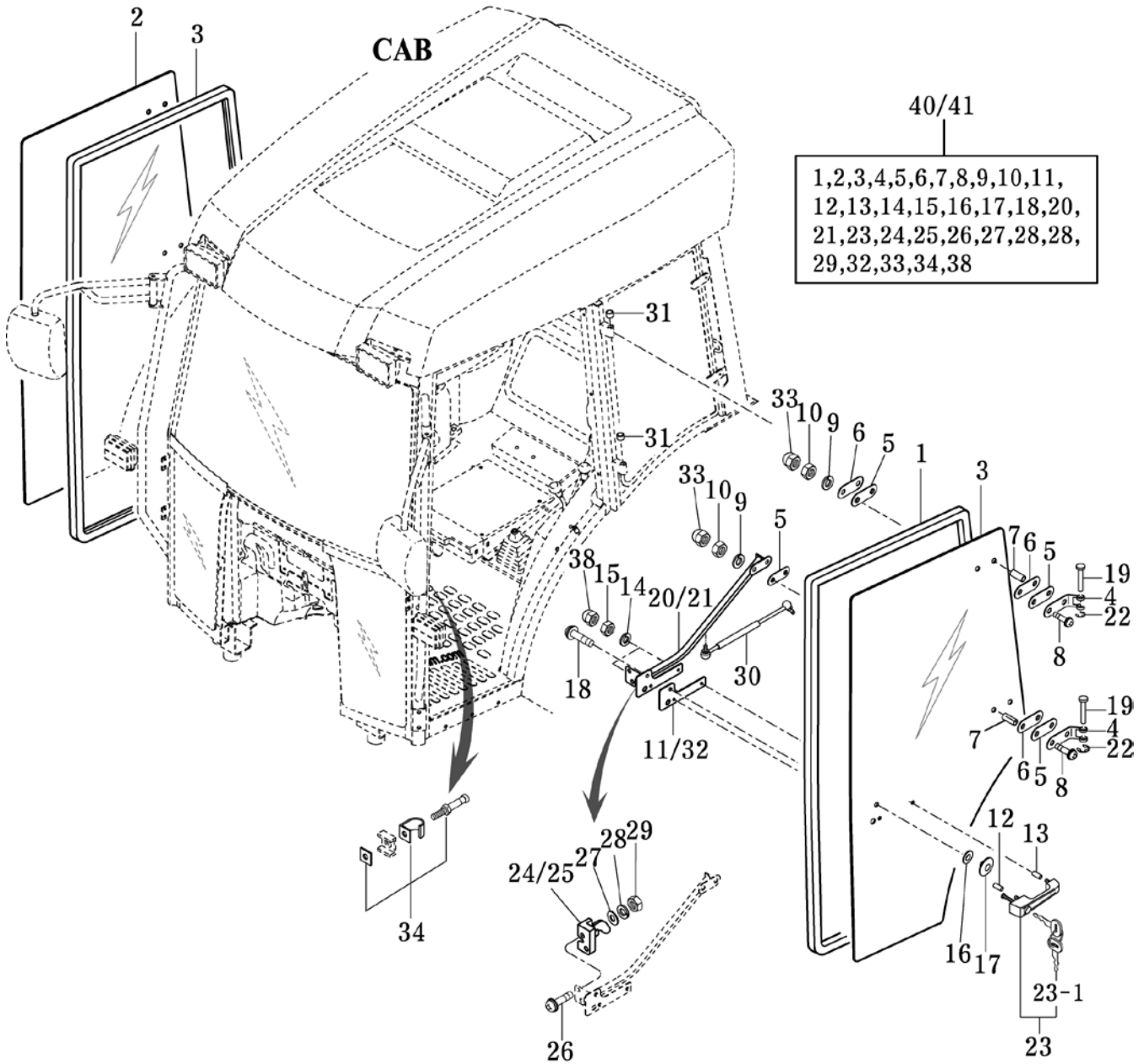
P1

Month/Year

02 / 2006



T7074



T720-K-709A

NOTE

FIG 710

FRONT GLASS

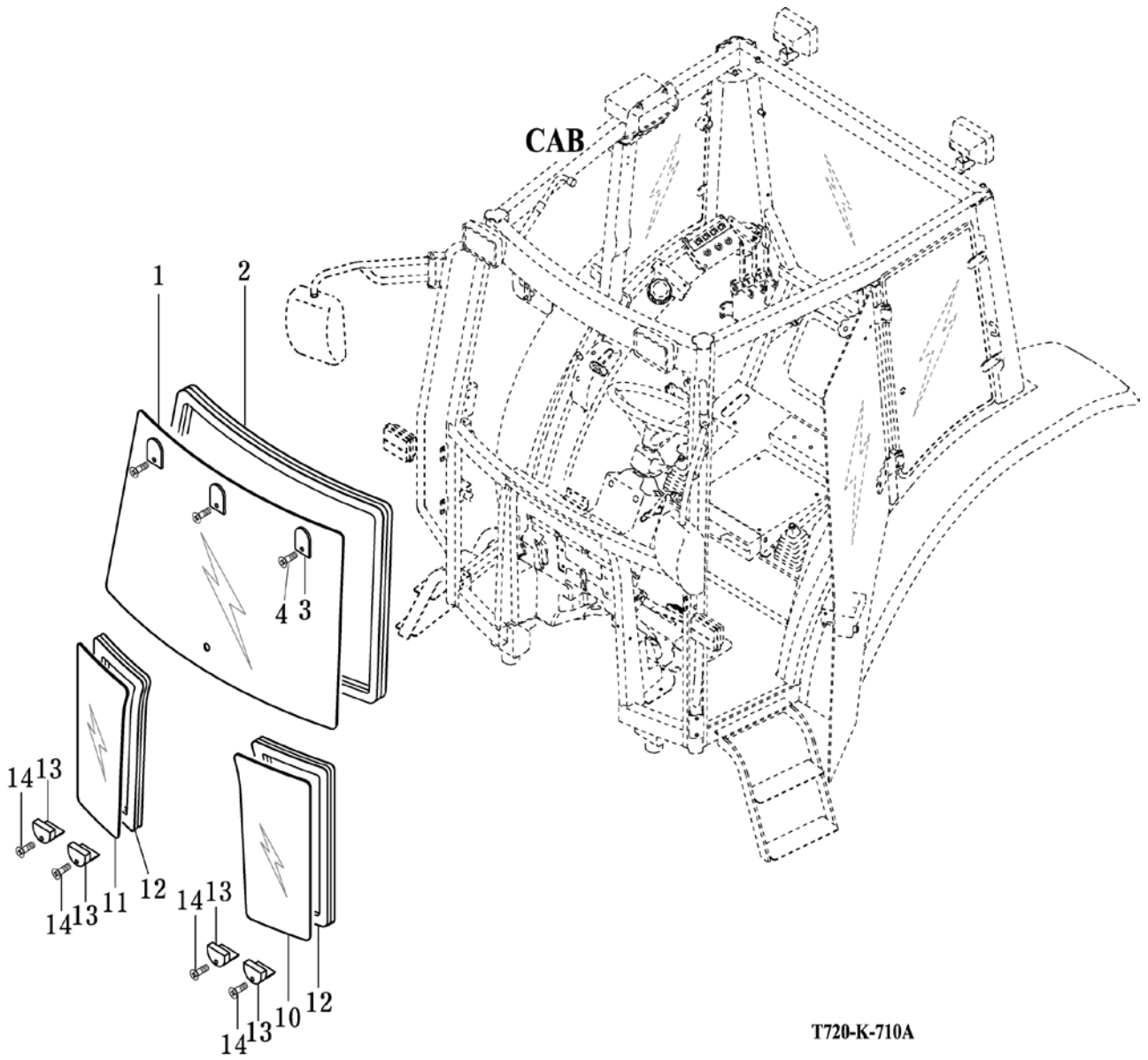
P1

Month/Year

02 / 2006



T7074



T720-K-710A

NOTE

FIG 711

SUB FENDER & COVER

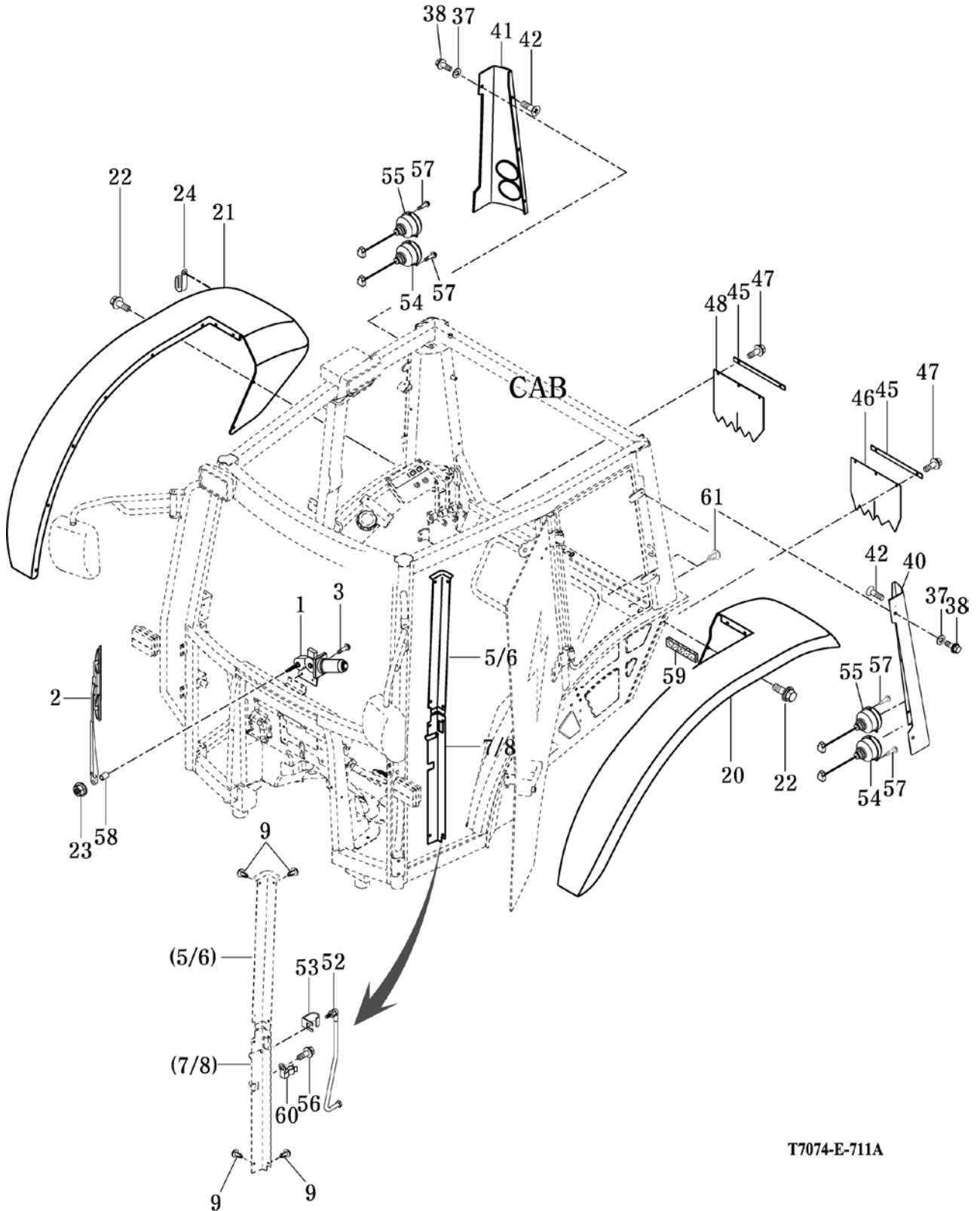
P1

Month/Year

02 / 2006



T7074



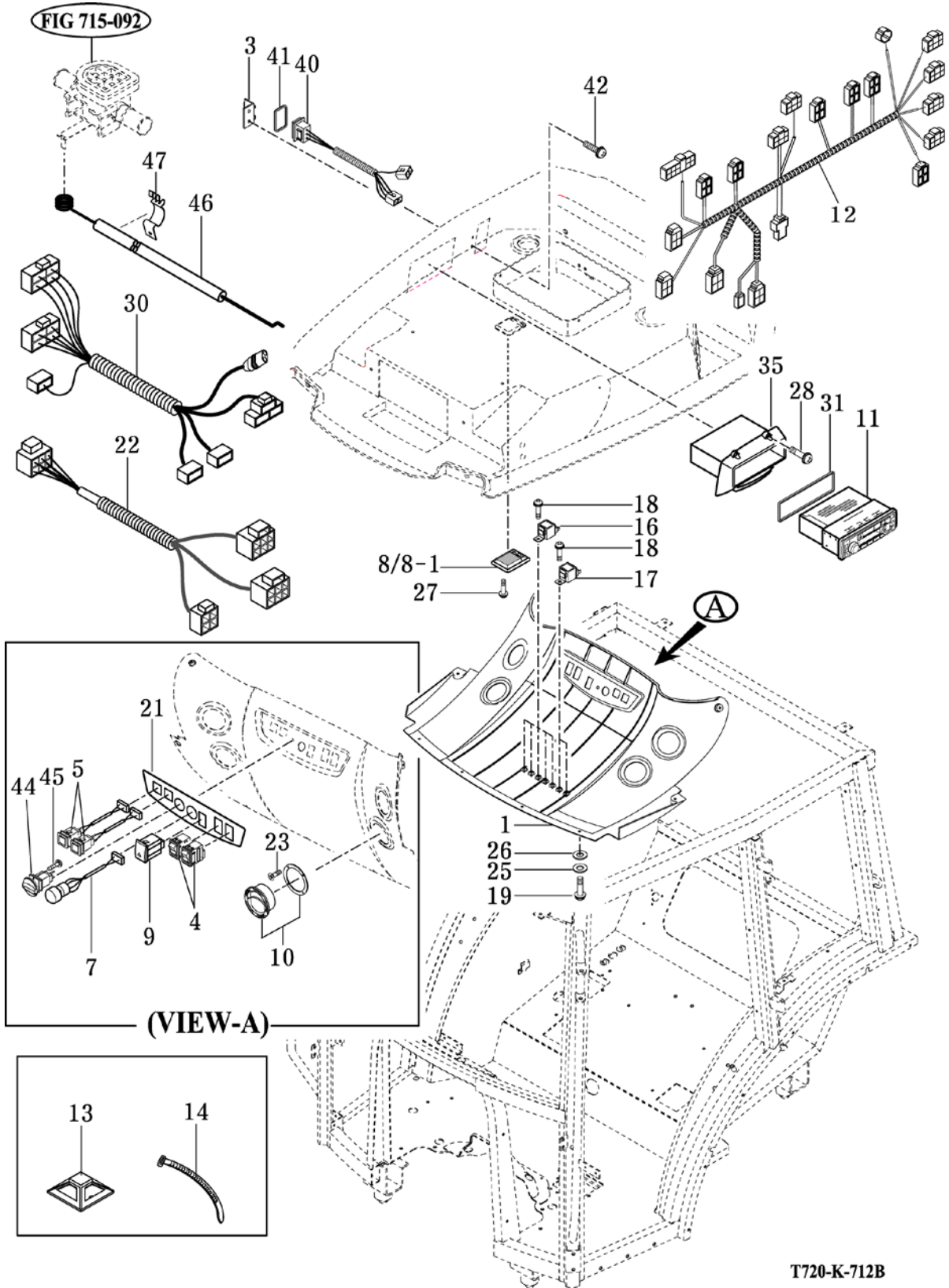
T7074-E-711A

NOTE

KEY NO.		PART NO.	DESCRIPTION	SPEC.	Q'TY.	REPAIR	EFFECTIVE DATE	REMARKS
711 001		16997023100	MOTOR ASSY , WIPER		1	C		
711 002		17687023200	WIPER & BLADE ASSY		1	A		
711 003		16997021950	SCREW , M5X16	M5X16	2			
711 005		17687011990	COVER , PILLAR LH FR		1			
711 006		17687011980	COVER , PILLAR RH FR		1			
711 007		17687011970	COVER , PILLAR LH FR		1			
711 008		17687010340	COVER , PILLAR RH FR		1			
711 009		17686040020	RIVET SET		16			
711 020		17687010412M	FENDER , LH SUB		1			
711 021		17687010423M	FENDER . RH SUB		1			
711 022		V2323606020	BOLT , C/R HEX/SP	M6X20	16			
711 023		V3802600080	NUT , HEX FLANGE	M8	1			
711 024		14256210040	CLAMP , HARNESS		1			
711 037		16997013020	WASHER , EVAPORATOR		4			
711 038		V2123806016	BOLT , HEX /SP	M6X16	4			
711 040		17687011141G	COVER , COMBINATION		1			
711 041		17687011151G	COVER , COMBINATION		1			
711 042		V1122605016	SCREW , C/R FLAT	M5X16	6			
711 045		17687011260G	PLATE . RR COVER		2			
711 046		17687011270	COVER , RUBBER LH RR		1			
711 047		V2123806016	BOLT , HEX /SP	M6X16	6			
711 048		17687011280	COVER , RR RUBBER RH		1			
711 052		17687017500	BAR COMP . DOOR FIX		2			
711 053		17407011450	BRACKET		2			
711 054		17687023300	LAMP ASSY , RR COMBINATION		2	C		
711 055		17687023401	LAMP ASSY . STOP		2	C		
711 056		V2183608016	BOLT , HEX/SP	M8X16	2			
711 057		16997021950	SCREW , M5X16	M5X16	12			
711 058		17687020880	TUBE , MOTOR		1			
711 059		17687020890	INSULATOR . SUB FENDER		2			
711 060		36106310020	HANGER		2			
711 074		14346110021	CAP		2			
NOTE								



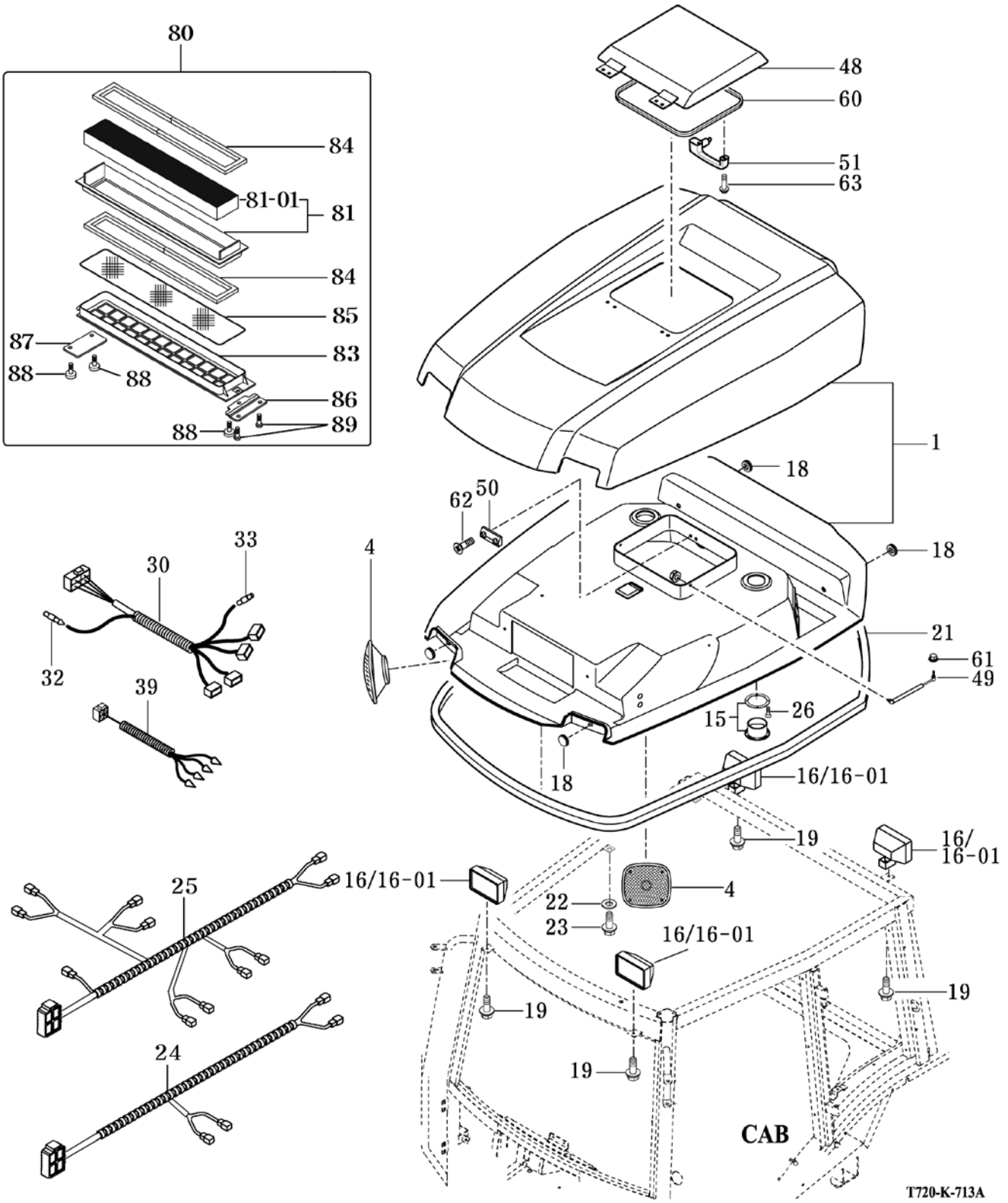
T7074



NOTE



T7074



T720-K-713A

NOTE

FIG 714

INTERIOR PART

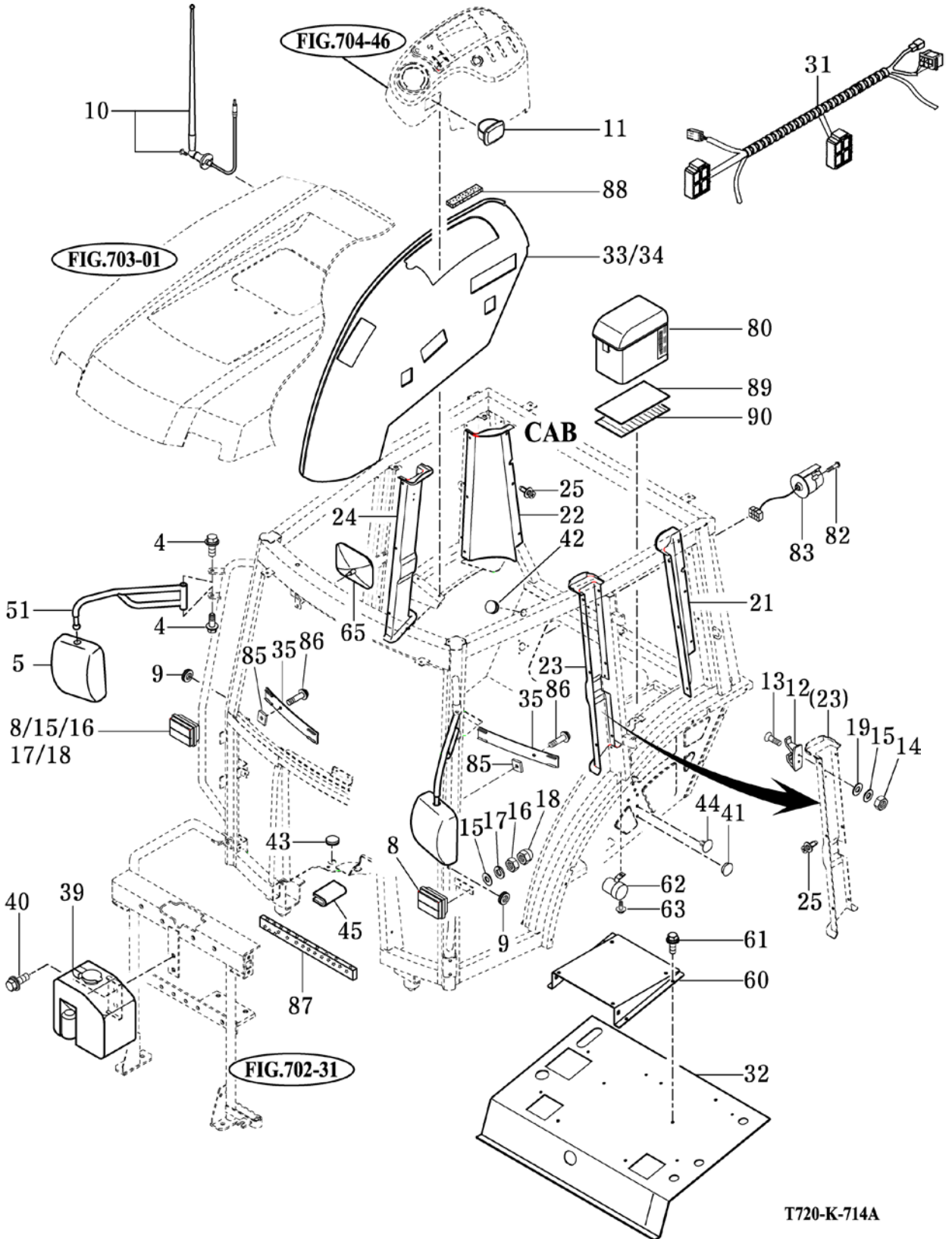
P1

Month/Year

02 / 2006



T7074



T720-K-714A

NOTE

FIG 714		INTERIOR PART			P1	Month / Year	
T7074						02 / 2006	
KEY NO.	PART NO.	DESCRIPTION	SPEC.	Q'TY.	REPAIR	EFFECTIVE DATE	REMARKS
714 004	V2183612025	BOLT , HEX/SP	M12X25	4			
714 005	17687028601	MIRROR ASSY		2			
714 008	17686562000	LAMP ASSY , COMBINATION		2	C		
714 009	14046210300	GROMMET		2			
714 010	17687026700	ANTENNA ASSY		1			
714 011	17407026800	ASHTRAY ASSY		1			
714 012	17407020630	HANGER		1			
714 013	V1122604020	SCREW , C/R FLAT	M4X20	2			
714 014	V3012600040	NUT , HEX/2	M4	2			
714 015	V4111600050	WASHER , PLAIN	M5	4			
714 016	V3002600050	NUT , HEX/1	M5	4			
714 017	V4011600050	WASHER , SPRING	M5	4			
714 018	V3402700050	NUT , CAP	M5	4			
714 019	V4111600040	WASHER , PLAIN	M4	2			
714 021	17687021711	COVER , PILLAR LH		1			
714 022	17687021721	COVER , PILLAR RH		1			
714 023	17687027300	COVER . LH SIDE		1			
714 024	17687027400	COVER . RH SIDE		1			
714 025	17686040030	RIVET SET		24			
714 031	16997027602	HARNESS ASSY , CAB FRAME		1			
714 032	17687010661	MAT , SEAT LOW		1			
714 033	17687010670	COVER . FENDER LH IN		1			
714 034	17687010680	COVER , FENDER RH IN		1			
714 035	17687010691	COVER , FRAME MID		2			
714 039	17687033100	TANK ASSY . 2MOTOR		1			
714 040	V2193606016	BOLT , HEX/SPL	M6X16	2			
714 041	15276040020	CLIP , TRIM		14			
714 042	14326510210	CAP , RUBBER 20		3			
714 043	16606510210	CAP , RUBBER 30		5			
714 044	16606070031	CAP , 9		10			
714 045	16997021960	INSULATOR , 32		2			
714 051	17687027800GB	STAY COMP . MIRROR		2			
714 060	17687021111GB	BRACKET . SEAT		1			
714 061	V2183608020	BOLT , HEX/SP	M8X20	4			
714 062	16586652000	HORN COMP		1	C		
714 063	V2193606016	BOLT , HEX/SPL	M6X16	1			
714 065	17687025100	MIRROR ASSY . ROOM		1			
714 080	17408102100	COOLER WITH WARMER		1			
714 082	V1112605030	SCREW , C/R PAN	M5X30	3			
714 083	16997028201	SOCKET ASSY		1			
714 085	17687010700	PLATE , COVER FRAME		2			
714 086	16507021950	SCREW , M5X20	M5X20	2			
714 087	17688301750	INSULATOR , DASH PANEL		1			
714 088	16421040010	INSULATOR		10			
714 089	17687015100	TAPE , VALCRO UPPER		1			
714 090	17687015200	TAPE , VALCRO UPPER		1	C		
NOTE							

FIG 715

HEATER & AIR-CON

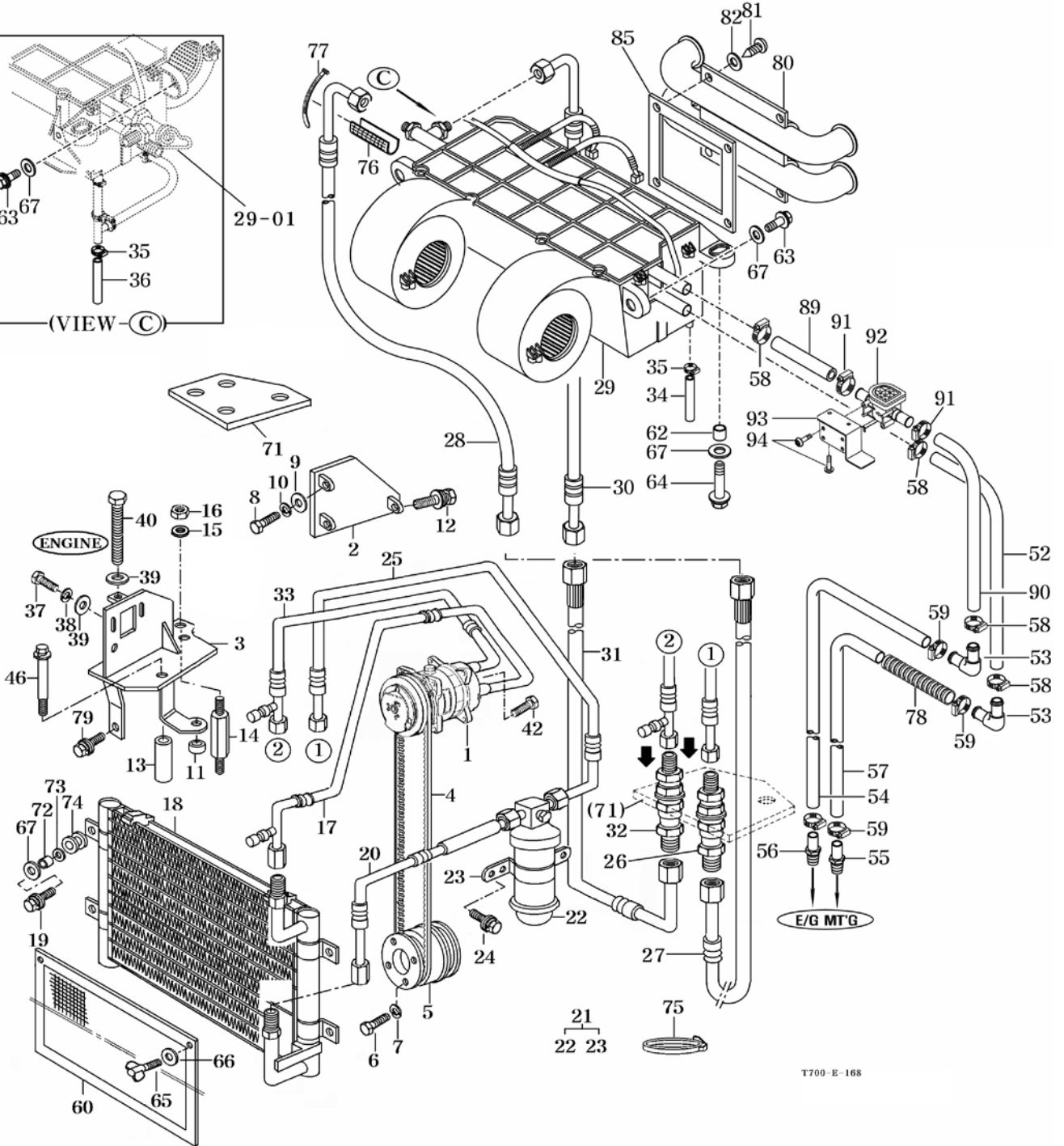
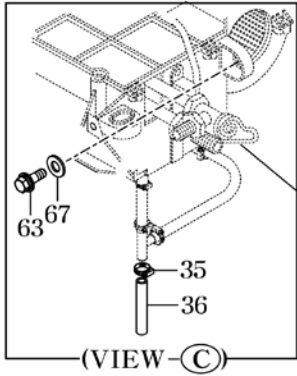
P1

Month/Year

02 / 2006



T7074



NOTE


FIG 715 T7074		HEATER & AIR-CON			P1	Month / Year 02 / 2006	
KEY NO.	PART NO.	DESCRIPTION	SPEC.	Q'TY.	REPAIR	EFFECTIVE DATE	REMARKS
715 001	16608303201	COMPRESSOR ASSY		1			
715 002	16628303302G	BRACKET		1			
715 003	17688302100G	BRACKET COMP . NO2		1			
715 004	16998300010	V BELT , A61		1	A		
715 005	16998300020G	PULLEY , JD3029		1			
715 006	16998300031	BOLT , HEX	3/8-16UNC	4			
715 007	V4011600100	WASHER , SPRING	M10	4			
715 008	V2023610035	BOLT , HEX	M10X35	2			
715 009	V4111600100	WASHER , PLAIN	M10	2			
715 010	V4011600100	WASHER , SPRING	M10	2			
715 011	17401053301	COLLAR , COMPRESSOR		1			
715 012	V2183608025	BOLT , HEX/SP	M8X25	1			
715 013	16998300042	COLLAR , COMPRESSOR		2			
715 014	16998300050	BOLT , SUPPORT		1			
715 015	V4011600100	WASHER , SPRING	M10	3			
715 016	V3343600100	NUT , HEX FINE/2	M10	1			
715 017	17688302201	HOSE ASSY , DISCHARG		1	C		
715 018	16798303700	CONDENSER ASSY		1			
715 019	V2183608025	BOLT , HEX/SP	M8X25	4			
715 020	17408303700	PIPE ASSY		1	C		
715 021	16998303400	BRACKET ASSY		1			
715 022	16608303501	DRYER ASSY		1	B		
715 023	16998303600	BRACKET ASSY		1			
715 024	V2183608020	BOLT , HEX/SP	M8X20	2			
715 025	16998302402	HOSE ASSY		1	C		
715 026	16998302501	COUPLING ASSY , COOL		1			
715 027	16998302603	HOSE ASSY		1	C		
715 028	17688302700	HOSE ASSY , LIQUID D36		1	C		
715 029	17688302800	EVAPORATOR ASSY		1			
715 02901	16998303000	EXPANSION VALVE ASSY		1			
715 030	17688302900	HOSE ASSY , SUCTION		1	C		
715 031	16998303103	HOSE ASSY , SUCTION		1	C		
715 032	16998303201	COUPLING ASSY		1			
715 033	17408303300	HOSE ASSY , SUCTION		1	C		
715 034	16998300060	HOSE , DRAIN		1			
715 035	37481850030	BAND , HOSE 18.5		2			
715 036	16998300090	HOSE , RH DRAIN		1			
715 037	V2024610030	BOLT , HEX FINE	M10X30	3			
715 038	V4011600100	WASHER , SPRING	M10	3			
715 039	V4111600100	WASHER , PLAIN	M10	4			
715 040	W2004610090	BOLT , HEX		1			
715 042	V2023610035	BOLT , HEX	M10X35X1.25P	1			
715 046	16998301180	BOLT , HEX A/C PULLE		2			
715 052	17688200020	HOSE . NO2		1			
715 053	17688200050	ELBOW , 90		2			
715 054	16998200042	HOSE , HEATER		1			
715 055	16998200050	NIPPLE , PT1/2		1			
715 056	16998200061	NIPPLE		1			
NOTE							

FIG 715

HEATER & AIR-CON

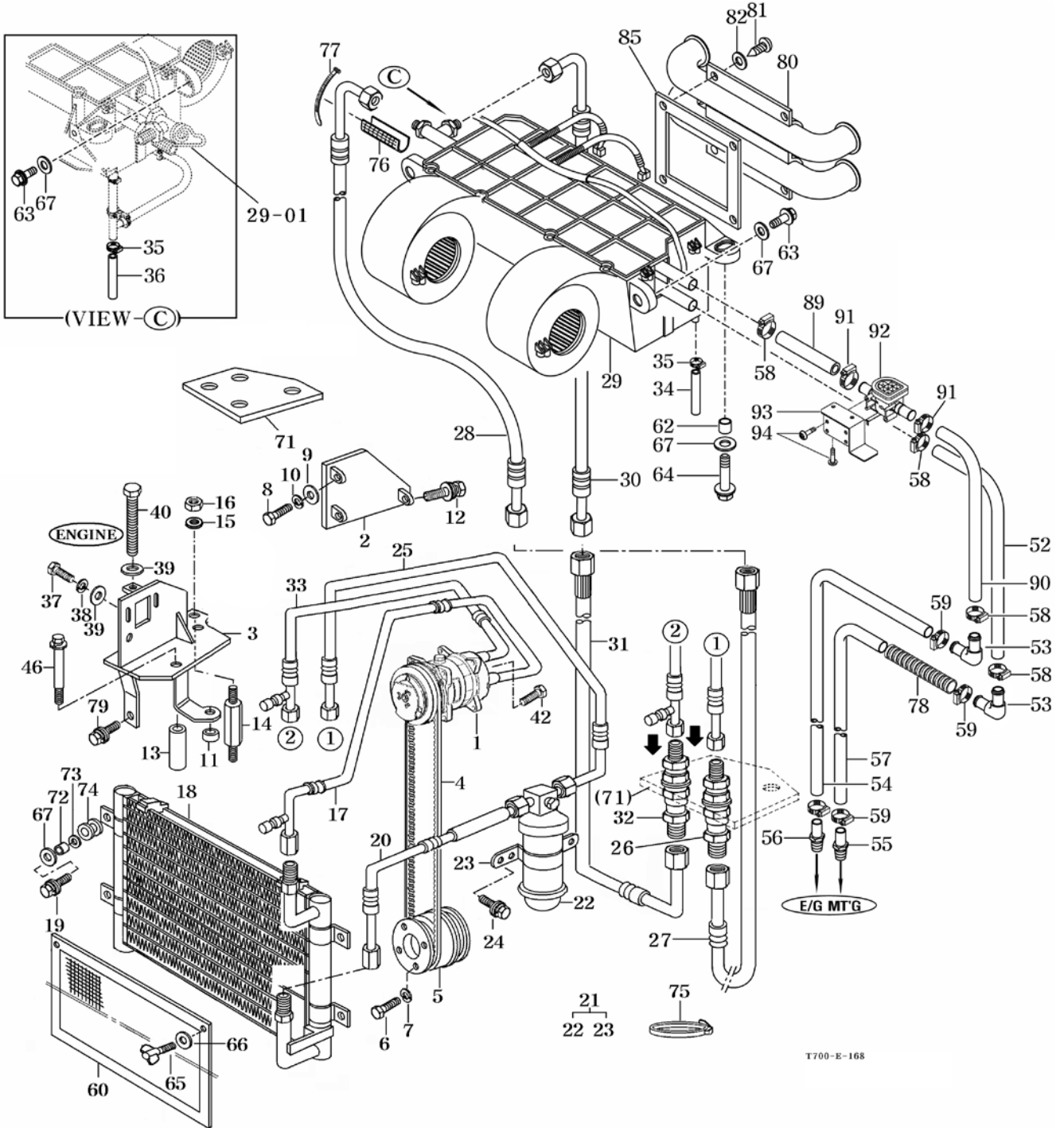
P2

Month/Year

02 / 2006



T7074



T700-E-168

NOTE

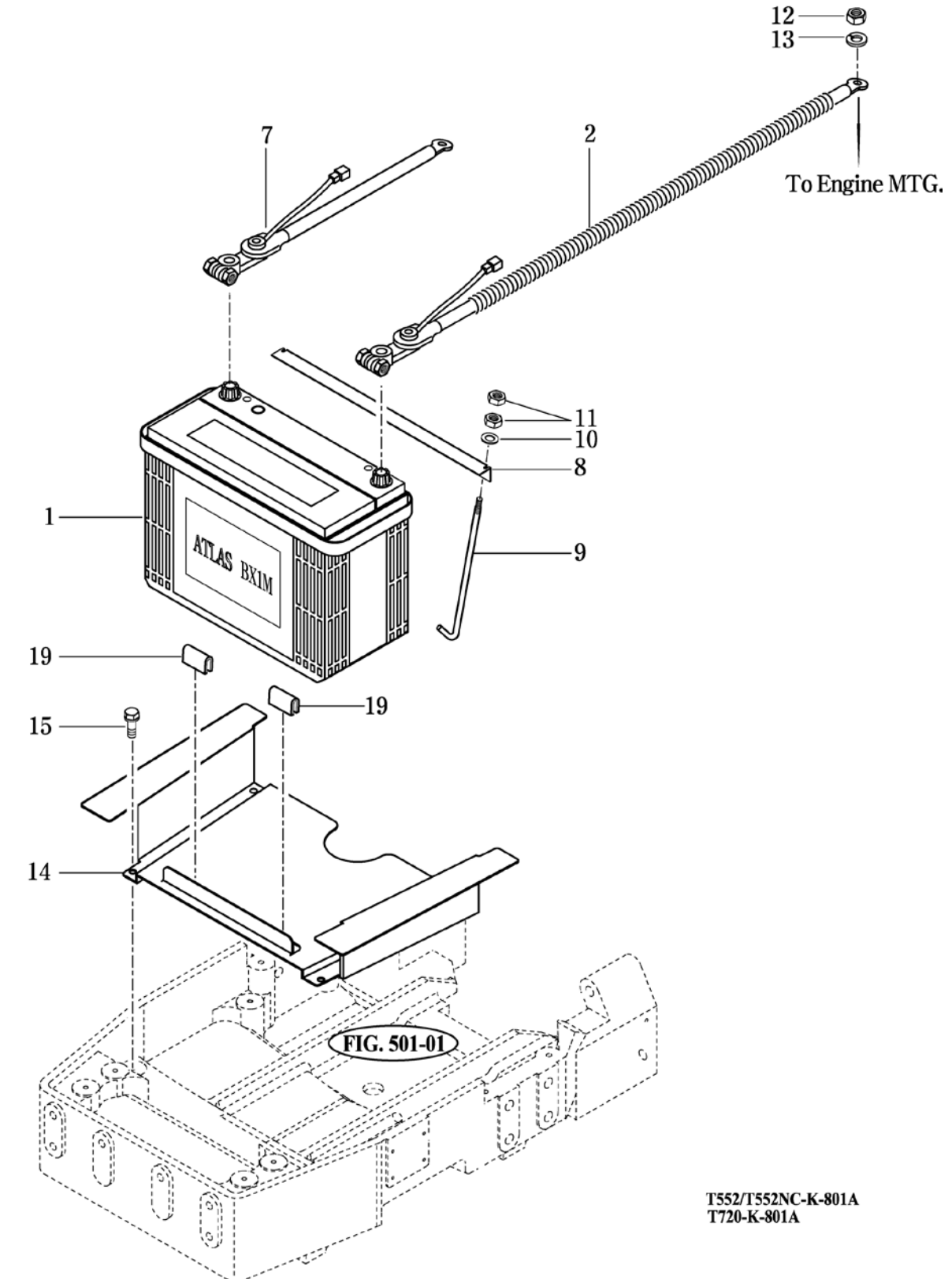
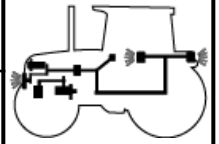
FIG 801

BATTERY & MOUNTING

P1

Month/Year

02 / 2006



T552/T552NC-K-801A
T720-K-801A

NOTE

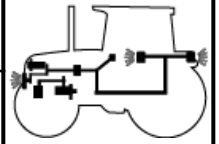
FIG 802

LIGHT

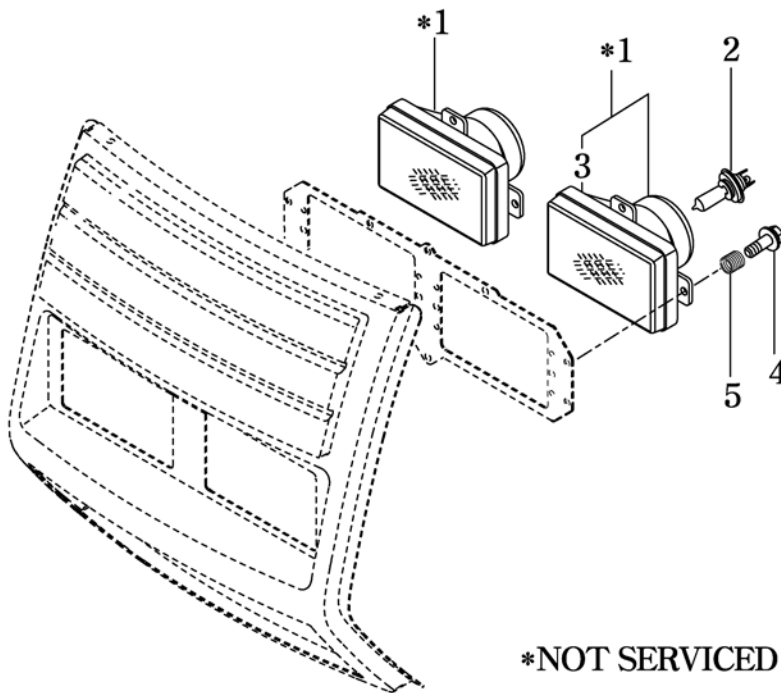
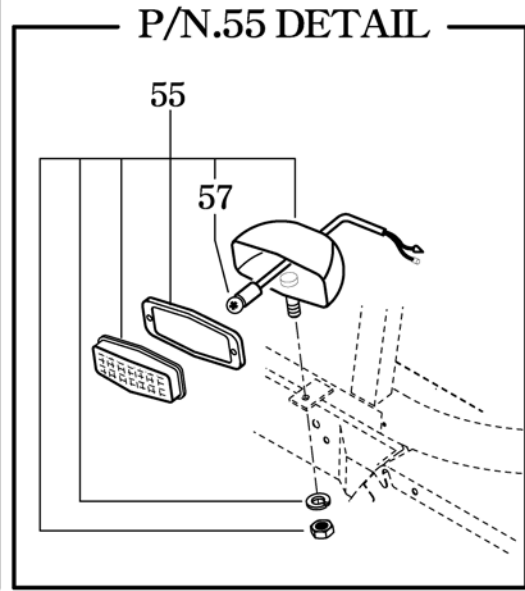
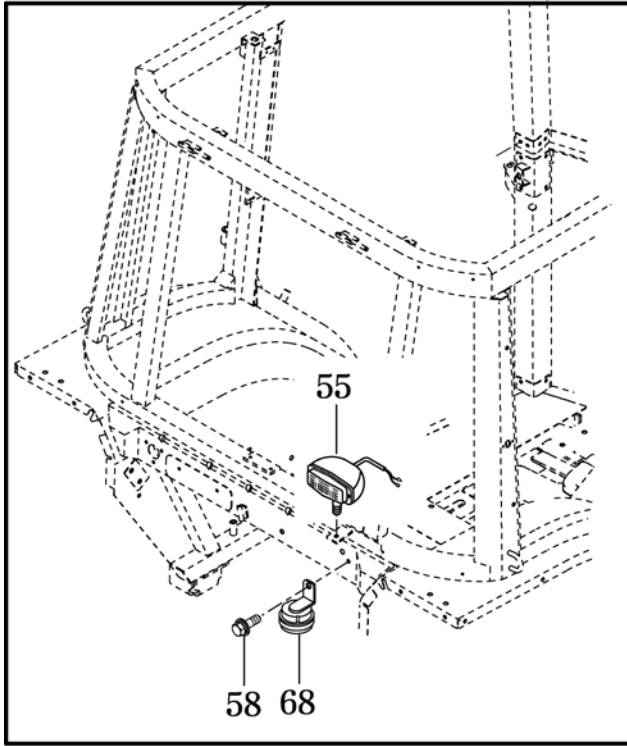
P1

Month/Year

02 / 2006



T7074



***NOT SERVICED SEPARATELY**

T7074-E-802

NOTE

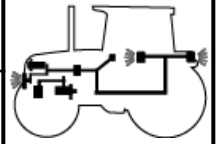
FIG 803

INSTRUMENT PANEL

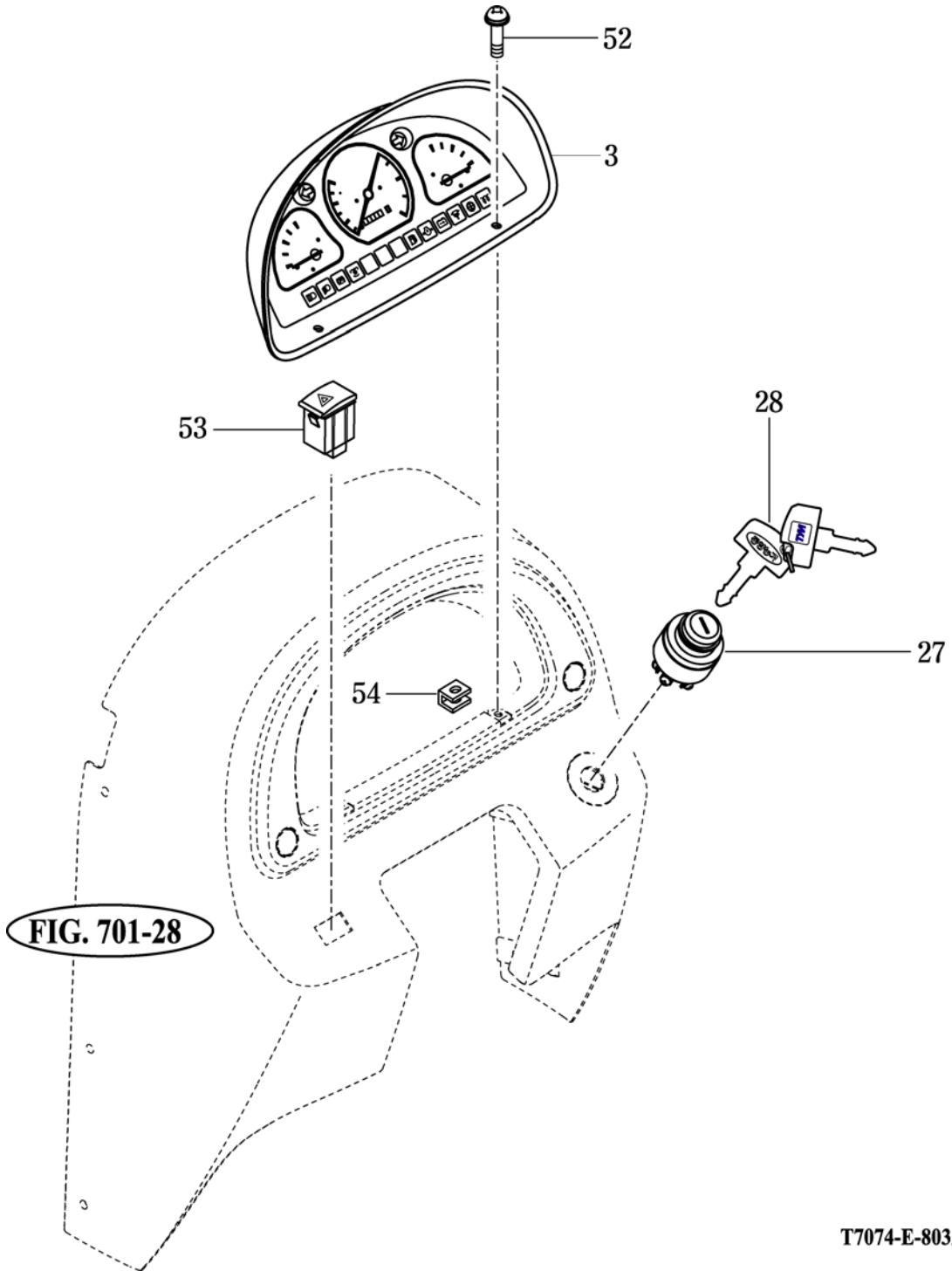
P1

Month/Year

02 / 2006



T7074



T7074-E-803A

NOTE

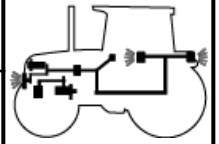
FIG 804

ELECTRIC SYSTEM (1)

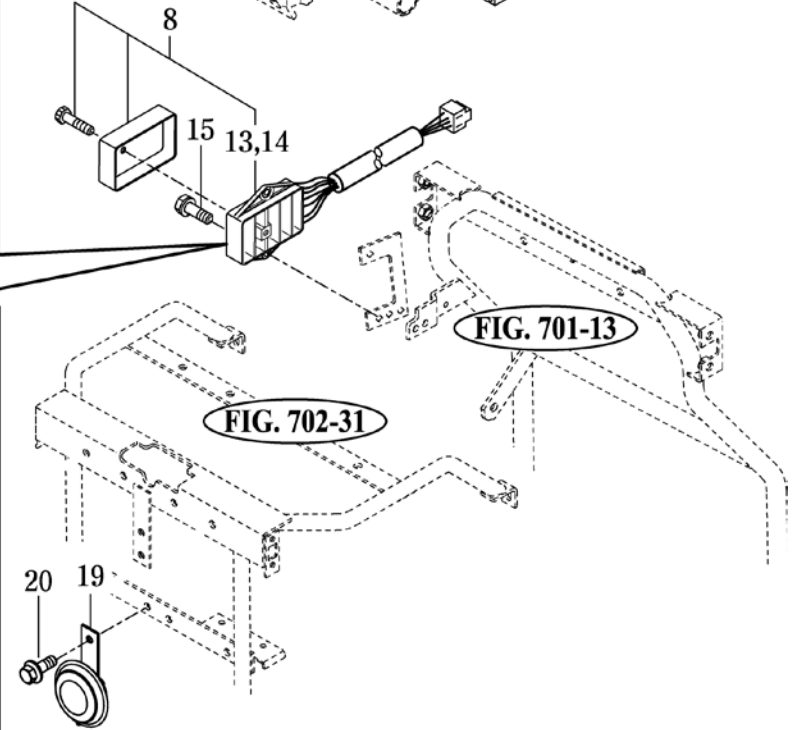
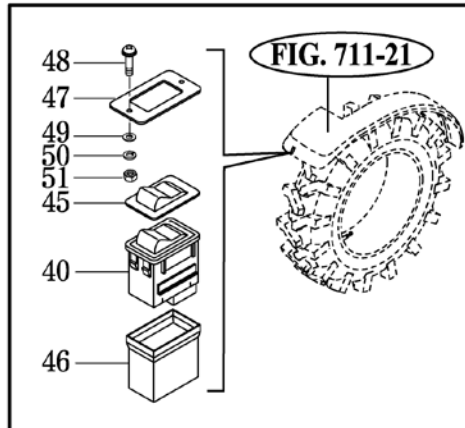
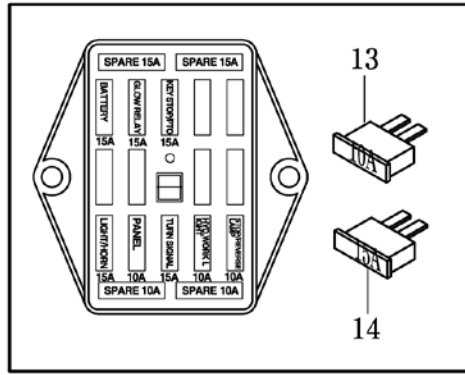
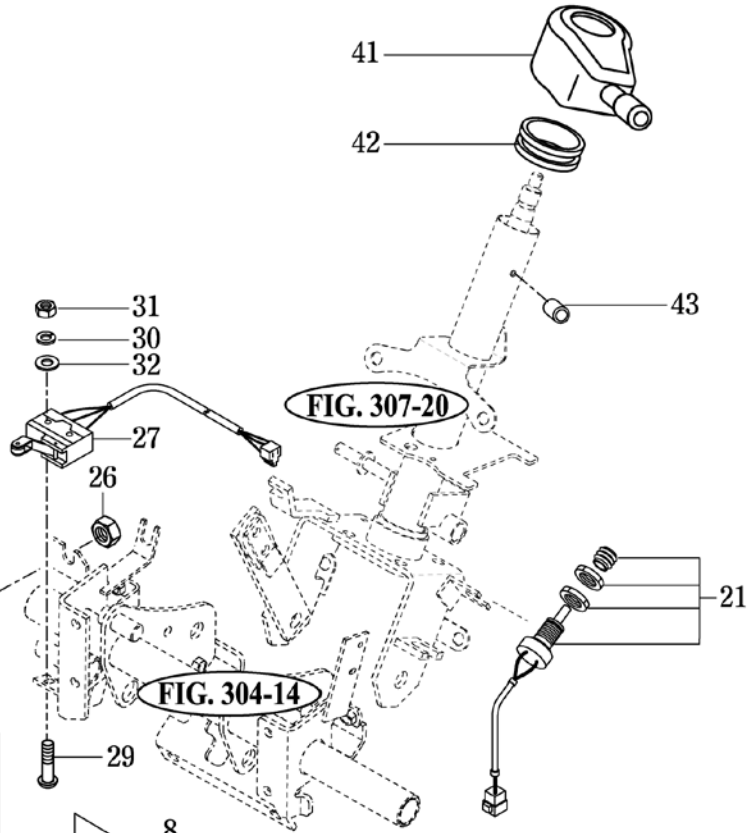
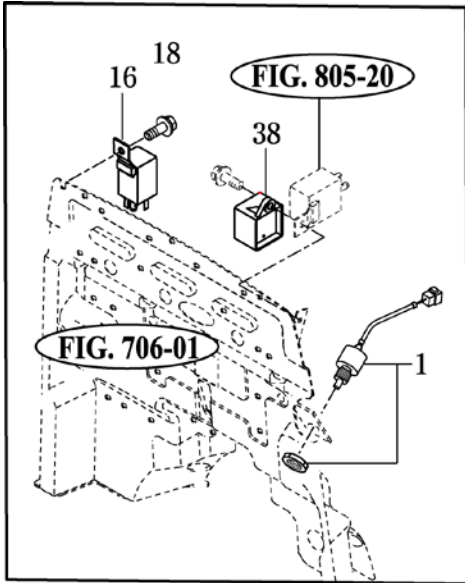
Month/Year

P1

02 / 2006



T7074



T70740-E-804A

NOTE

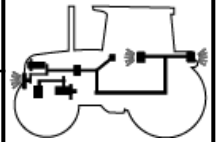
FIG 805

ELECTRIC SYSTEM (2)

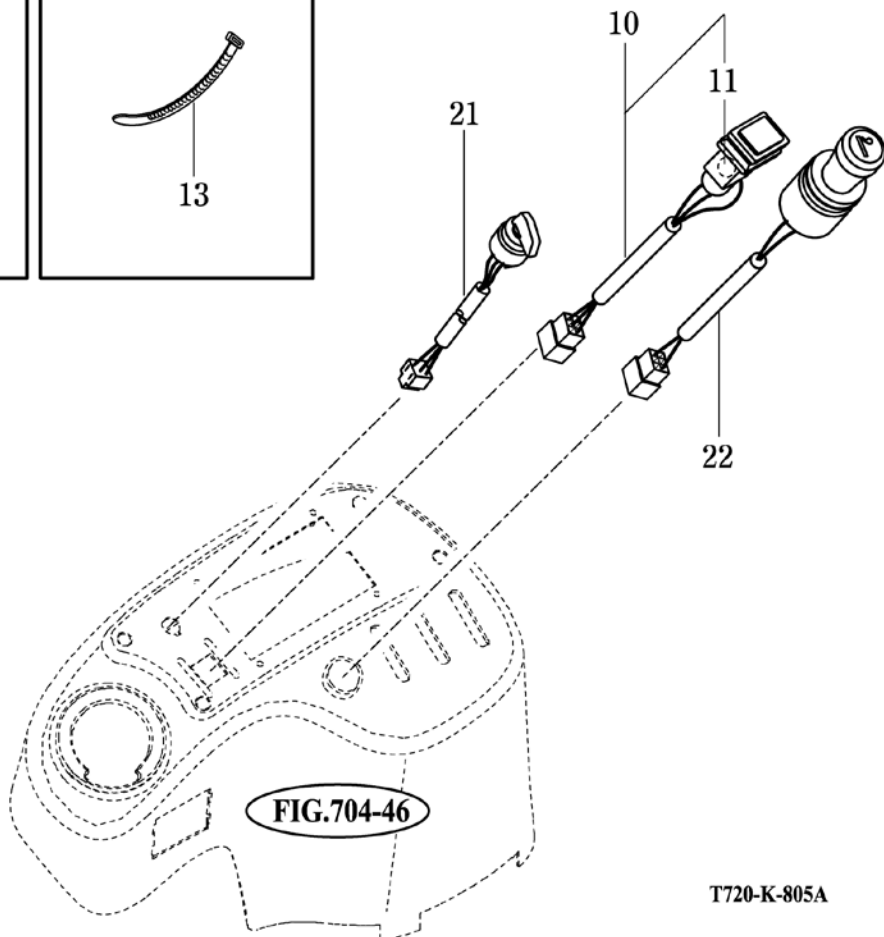
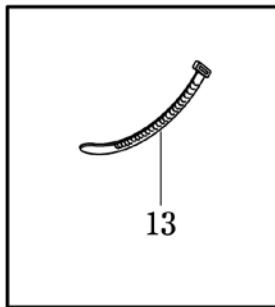
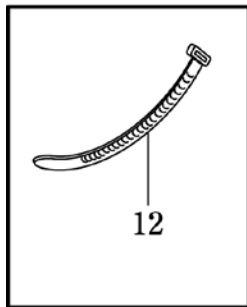
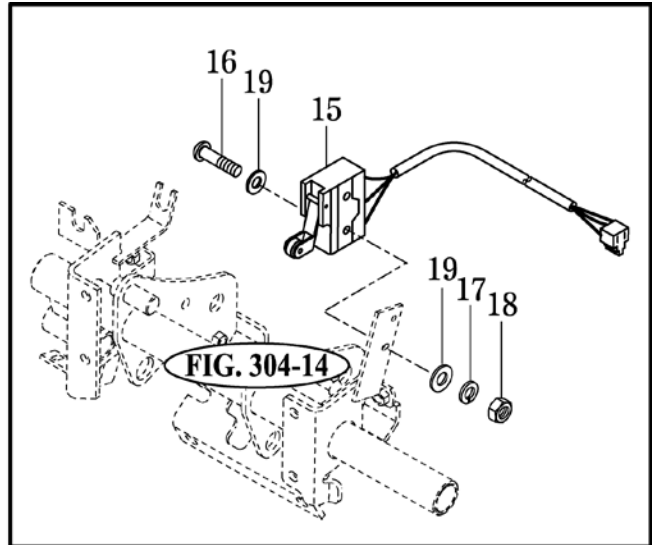
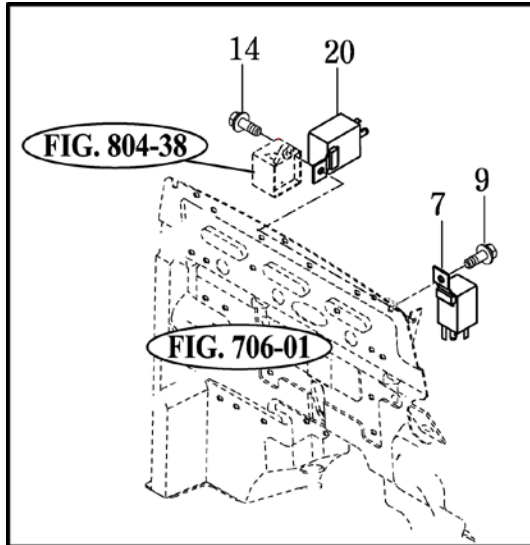
P1

Month/Year

02 / 2006



T7074



T720-K-805A

NOTE

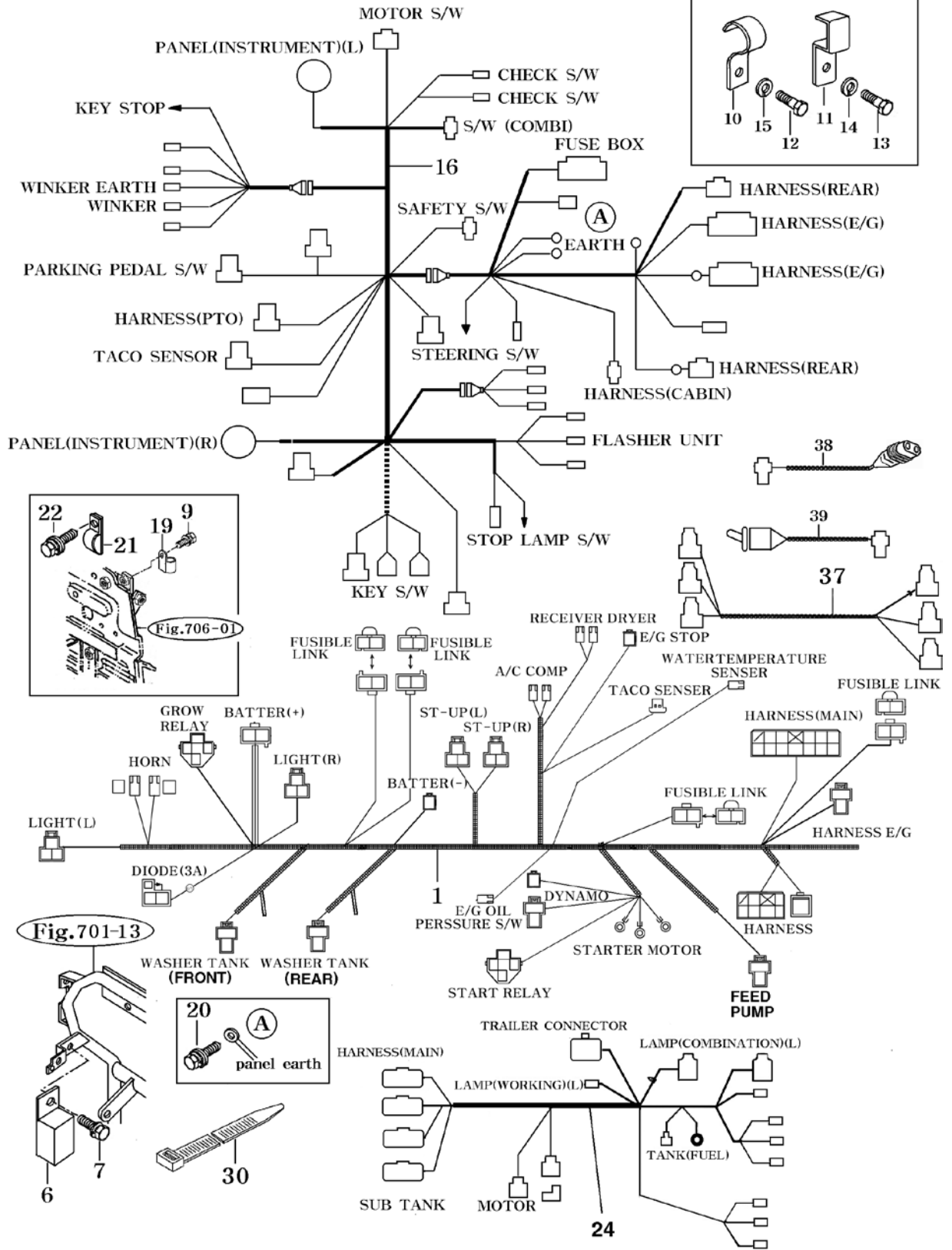
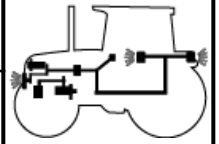
FIG 806

HARNESS

P1

Month/Year

02 / 2006



NOTE

FIG 901

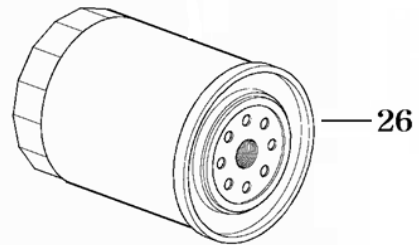
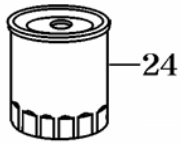
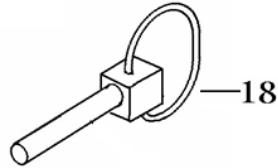
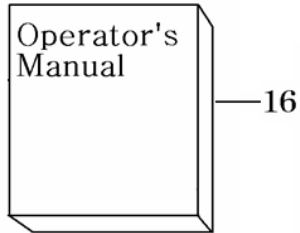
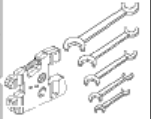
T7074

TOOL & ACCESSORY

P1

Month/Year

02 / 2006



NOTE

FIG 902

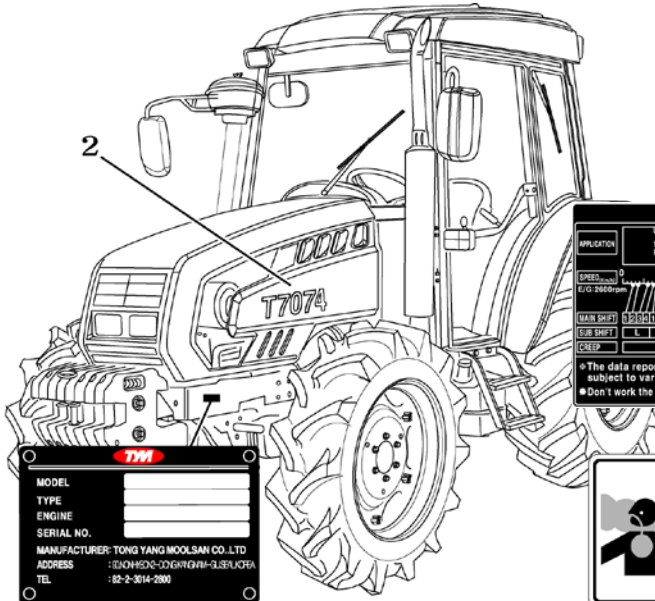
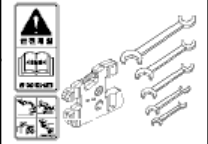
T7074

LABEL

P1

Month/Year

02 / 2006



MODEL	
TYPE	
ENGINE	
SERIAL NO.	
MANUFACTURER: TONG YANG MOOLSAN CO.,LTD	
ADDRESS : 1E0DH92G-DDGATGHW-QL3RUC9A	
TEL : 82-2-3014-2000	

APPLICATION	FRESHEN PLANTER		ROTATOR		PLOW		DRIVE	
	1	2	3	4	5	10	15	20
SPEED (km/h)	[Graph showing speed vs RPM for various applications]							
ECG (RPM/min)	[Graph showing engine speed vs RPM for various applications]							
MAIN SHIFT	1	2	3	4	5	6	7	8
SUB SHIFT	L	M	H	L	M	H		
CREEP	ON				OFF			

• The data reported in this publication are also subject to variation and consequently are not.
• Don't work the traction, escape marsh, heavy work at creep on.

WARNING

Push the button to lock position with joystick lever is neutral whenever the implement is not operation.

WARNING

Work in ventilated Area.

WARNING

Do not use the sub shift lever at "H" position when driving backward.

57

04

07

08

10

WARNING

- Start engine only from operators seat. if safety start switch is by passed engine can start with transmission in gear.
- Do not connect or short across terminal on starter solenoid.
- Attach booster cables as shown on battery decal and operators manual.

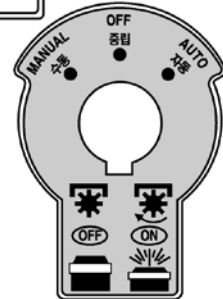
Starting in gear causing runaway can result in serious injury.

- WHEN PREHEATING TURN THE KEY TO PREHEATING POSITION AND RELEASE. THEN PREHEATING LAMP IS LIGHTS AND PREHEATING.
- DO START AFTER PREHEATING LAMP IS TURNED OFF (STARTING IS POSSIBLE DURING PREHEATING)
- AFTER STARTED SHOULD BE ENOUGH WARMING UP BELOW 2000RPM

16



24



27

WARNING

Always apply the park brake when parking. Failure to do so can cause accidents and damages.

35

37

WARNING

Never use the diff-lock at high speed or on the road as this can cause rollover and injury.

49

WARNING

Always set the knob to lock when:
1. Travelling on the road.
2. Replacing blades on an implement
3. Making adjustment to an implement
Sudden dropping of an implement can cause serious injury or death.

50

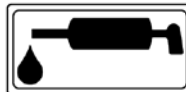
WARNING

Brake pedals must always be locked together when travelling on the highway. This will ensure uniform braking and provide maximum stopping ability sharp turns must only be made at slow speeds.

52



51



64

HEATER VALVE

close

Open the valve when using heater in winter season.
Close the valve when using air conditioning.

65

Inner/Outer air Ventilation

- When grills of rear and both sides are opened, inner air will ventilate in.
- For effective use, open it when operate heater or air conditioner and close when ventilate fresh air.

66

NOTE

FIG 902		LABEL				P1	Month / Year	
T7074							02 / 2006	
KEY NO.	PART NO.	DESCRIPTION	SPEC.	Q'TY.	REPAIR	EFFECTIVE DATE	REMARKS	
902 002	17679010040	LABEL, LH, 7040C		1				
902 002	17679010050	LABEL, RH, 7040C		1				
902 004	17699020010	LABEL, SPEED		1				
902 007	17699100090	LABEL, WARNING JOYSTICK		1				
902 008	12009100030	LABEL, WARNING EXHAUST		1				
902 010	12009100010	LABEL, WARNING SUB		1				
902 012	12609040620	LABEL, STARTING WARNIN		1				
902 016	12209040150	LABEL, CAUTION STARTER		1				
902 024	17689030040	LABEL, CONTROL THROTTLE		1				
902 027	17689200060	LABEL, PTO SWITCH		1				
902 035	12009100020	LABEL, WARNING PARKING		1				
902 037	17689100220	LABEL, WARNING SWITCH		1				
902 049	12009100060	LABEL, WARNING DIFF		1				
902 050	12009100040	LABEL, WARNING STOP		1				
902 051	17689200050	LABEL, DIFF		1				
902 052	12009100070	LABEL, WARNING BRAKE		1				
902 057	T0019010020	LABEL, MODEL		1				
902 064	16329040020	LABEL, CAUTION GREASE		4				
902 066	12209041221	LABEL, VENTILATION		1				
902 071	12009100080	LABEL, WARNING TILT		1				
902 074	12009100050	LABEL, WARNING FIRE		1				
902 075	12009100240	LABEL, CAUTION MUFFLER		1				
902 076	15189030060	LABEL, PORT		1				
902 077	15189030070	LABEL, PORT		1				
902 078	17689030080	LABEL, PORT C		1				
902 079	17699100100	LABEL, WARNING JOYSTICK VALVE		1				
902 081	12009100110	LABEL, DANGER, AIR		1				
902 082	12009100120	LABEL, CAUTION FAN		2				
902 083	12009100130	LABEL, DANGER, PTO		1				
902 084	12009100140	LABEL, WARNING DRAW		1				
902 085	12009100150	LABEL, WARNING RADIATOR		1				
902 086	12009100160	LABEL, DANGER		1				
902 087	17689100170	LABEL, CAUTION SAFETY		1				
902 089	12009100190	LABEL, WARNING BELT		1				
902 090	12009100210	LABEL, WARNING THROTTLE		1				
902 091	17689040310	LABEL, CONTROL		1				
902 094	17689200021	LABEL, JOYSTICK		1				
902 095	17689040951	LABEL, DIAL		1				
902 096	17699040960	LABEL, KEY		1				
902 098	12009100230	LABEL, CAUTION TREA		1				
902 100	18999200010	LABEL, EHC		1				
902 106	17669045041	LABEL, ROPS		1				
902 107	17669040210	LABEL, SMOKE		1				
902 108	17699040980	LABEL, CAUTION, DETENT		1				
902 110	17699040781	LABEL, CABIN		1				
NOTE								

FIG 902

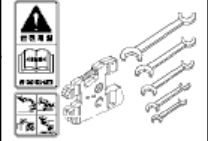
T7074

LABEL

P2

Month/Year

02 / 2006



71



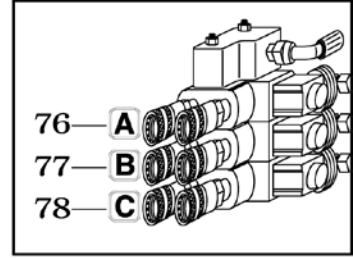
74



75



79



76—A

77—B

78—C



81



82



83



84



85



86



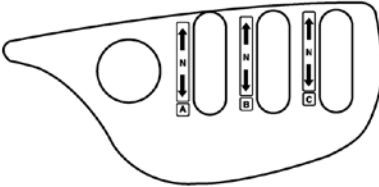
87



89



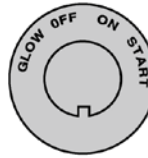
90



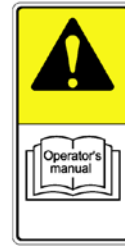
91



94



96



98



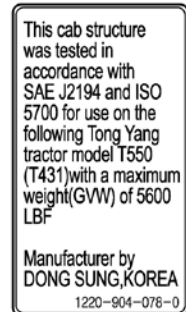
107



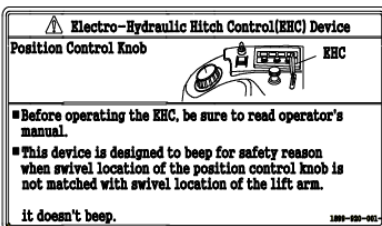
95



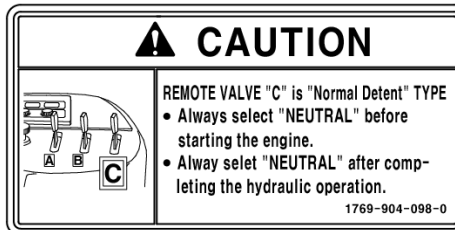
106



110



100



108

NOTE

FIG 902		LABEL			P2	Month / Year 02 / 2006	
T7074							
KEY NO.	PART NO.	DESCRIPTION	SPEC.	Q'TY.	REPAIR	EFFECTIVE DATE	REMARKS
902 002	17679010040	LABEL, LH, 7040C		1			
902 002	17679010050	LABEL, RH, 7040C		1			
902 004	17699020010	LABEL, SPEED		1			
902 007	17699100090	LABEL, WARNING JOYSTICK		1			
902 008	12009100030	LABEL, WARNING EXHAUST		1			
902 010	12009100010	LABEL, WARNING SUB		1			
902 012	12609040620	LABEL, STARTING WARNIN		1			
902 016	12209040150	LABEL, CAUTION STARTER		1			
902 024	17689030040	LABEL, CONTROL THROTTLE		1			
902 027	17689200060	LABEL, PTO SWITCH		1			
902 035	12009100020	LABEL, WARNING PARKING		1			
902 037	17689100220	LABEL, WARNING SWITCH		1			
902 049	12009100060	LABEL, WARNING DIFF		1			
902 050	12009100040	LABEL, WARNING STOP		1			
902 051	17689200050	LABEL, DIFF		1			
902 052	12009100070	LABEL, WARNING BRAKE		1			
902 057	T0019010020	LABEL, MODEL		1			
902 064	16329040020	LABEL, CAUTION GREASE		4			
902 066	12209041221	LABEL, VENTILATION		1			
902 071	12009100080	LABEL, WARNING TILT		1			
902 074	12009100050	LABEL, WARNING FIRE		1			
902 075	12009100240	LABEL, CAUTION MUFFLER		1			
902 076	15189030060	LABEL, PORT		1			
902 077	15189030070	LABEL, PORT		1			
902 078	17689030080	LABEL, PORT C		1			
902 079	17699100100	LABEL, WARNING JOYSTICK VALVE		1			
902 081	12009100110	LABEL, DANGER, AIR		1			
902 082	12009100120	LABEL, CAUTION FAN		2			
902 083	12009100130	LABEL, DANGER, PTO		1			
902 084	12009100140	LABEL, WARNING DRAW		1			
902 085	12009100150	LABEL, WARNING RADIATOR		1			
902 086	12009100160	LABEL, DANGER		1			
902 087	17689100170	LABEL, CAUTION SAFETY		1			
902 089	12009100190	LABEL, WARNING BELT		1			
902 090	12009100210	LABEL, WARNING THROTTLE		1			
902 091	17689040310	LABEL, CONTROL		1			
902 094	17689200021	LABEL, JOYSTICK		1			
902 095	17689040951	LABEL, DIAL		1			
902 096	17699040960	LABEL, KEY		1			
902 098	12009100230	LABEL, CAUTION TREA		1			
902 100	18999200010	LABEL, EHC		1			
902 106	17669045041	LABEL, ROPS		1			
902 107	17669040210	LABEL, SMOKE		1			
902 108	17699040980	LABEL, CAUTION, DETENT		1			
902 110	17699040781	LABEL, CABIN		1			
NOTE							

FIG 904

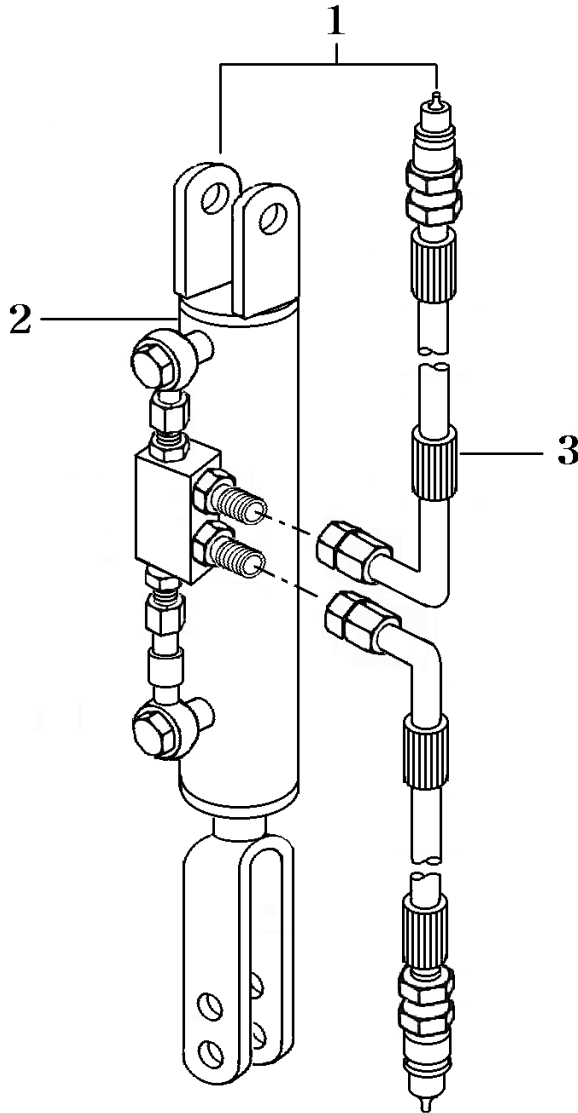
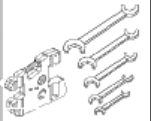
T7074

LEVEL CONTROL CYLINDER

P1

Month/Year

02 / 2006



NOTE

OPTION PARTS

